

November 1979

**A Low Cost CRT Terminal  
Using The 8275**

**John Kalausky**  
Peripherals Applications

# APPLICATIONS

## 1. INTRODUCTION

The purpose of this application note is to provide the reader with the design concepts and factual tools needed to integrate Intel peripherals and microprocessors into a low cost raster scan CRT terminal. A previously published application note, AP-32, presented one possible solution to the CRT design question. This application note expands upon the theme established in AP-32 and demonstrates how to design a functional CRT terminal while keeping the parts count to a minimum.

For convenience, this application note is divided into seven general sections:

1. Introduction
2. CRT Basics
3. 8275 Description
4. Design Background
5. Circuit Description
6. Software Description
7. Appendix

There is no question that microprocessors and LSI peripherals have had a significant role in the evolution of CRT terminals. Microprocessors have allowed design engineers to incorporate an abundance of sophisticated features into terminals that were previously mere slaves to a larger processor. To complement microprocessors, LSI peripherals have reduced component count in many support areas. A typical LSI peripheral easily replaces between 30 and 70 SSI and MSI packages, and offers features and flexibility that are usually not available in most hardware designs. In addition to replacing a whole circuit board of random logic, LSI circuits also reduce the cost and increase the reliability of design. Fewer interconnects increases mechanical reliability and fewer parts decreases the power consumption and hence, the overall reliability of the design. The reduction of components also yields a circuit that is easier to debug during the actual manufacturing phase of a product.

Until the era of advanced LSI circuitry, a typical CRT terminal consisted of 80 to 200 or more SSI and MSI packages. The first microprocessors and peripherals dropped this component count to between 30 and 50 packages. This application note describes a CRT terminal that uses 20 packages.

## 2. CRT BASICS

The raster scan display gets its name from the fact that the image displayed on the CRT is built up by generating a series of lines (raster) across the face of the CRT. Usually, the beam starts in the upper left hand corner of the display and simultaneously moves left to right and top to bottom to put a series

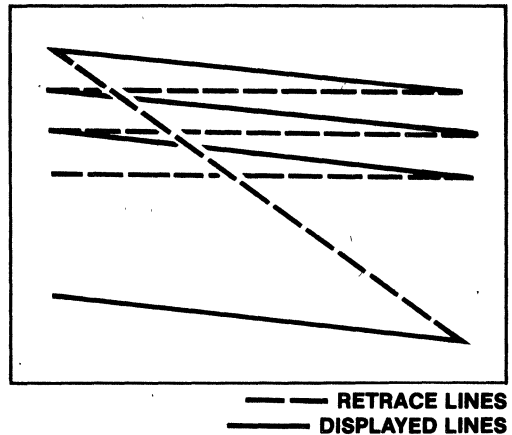


Figure 2-1. Raster Scan

of zig-zag lines on the screen (Fig. 2.1). Two simultaneously operating independent circuits control the vertical and horizontal movement of the beam.

As the electron beam moves across the face of the CRT, a third circuit controls the current flowing in the beam. By varying the current in the electron beam the image on the CRT can be made to be as bright or as dark as the user desires. This allows any desired pattern to be displayed.

When the beam reaches the end of a line, it is brought back to the beginning of the next line at a rate that is much faster than was used to generate the line. This action is referred to as "retrace". During the retrace period the electron beam is usually shut off so that it doesn't appear on the screen.

As the electron beam is moving across the screen horizontally, it is also moving downward. Because of this, each successive line starts slightly below the previous line. When the beam finally reaches the bottom right hand corner of the screen, it retraces vertically back to the top left hand corner. The time it takes for the beam to move from the top of the screen to the bottom and back again to the top is usually referred to as a "frame". In the United States, commercial television broadcast use 15,750 Hz as the horizontal sweep frequency (63.5 microseconds per horizontal line) and 60 Hz as the vertical sweep frequency or "frame" (16.67 milliseconds per vertical frame).

Although, the 60 Hz vertical frame and the 15,750 Hz horizontal line are the standards used by commercial broadcasts, they are by no means the only frequency at which CRT's can operate. In fact, many CRT displays use a horizontal scan that is around 18 KHz to 22 KHz and some even exceed 30 KHz. As the

## APPLICATIONS

horizontal frequency increases, the number of horizontal lines per frame increases. Hence, the resolution on the vertical axis increases. This increased resolution is needed on high density graphic displays and on special text editing terminals that display many lines of text on the CRT.

Although many CRT's operate at non-standard horizontal frequencies, very few operate at vertical frequencies other than 60 Hz. If a vertical frequency other than 60 Hz is chosen, any external or internal magnetic or electrical variations at 60 Hz will modulate the electron beam and the image on the screen will be unstable. Since, in the United States, the power line frequency happens to be 60 Hz, there is a good chance for 60 Hz interference to exist. Transformers can cause 60 Hz magnetic fields and power supply ripple can cause 60 Hz electrical variations. To overcome this, special shielding and power supply regulation must be employed. In this design, we will assume a standard frame rate of 60 Hz and a standard line rate of 15,750 Hz.

By dividing the 63.5 microsecond horizontal line rate into the 16.67 millisecond vertical rate, it is found that there are 262.5 horizontal lines per vertical frame. At first, the half line may seem a bit odd, but actually it allows the resolution on the CRT to be effectively doubled. This is done by inserting a second set of horizontal lines between the first set (interlacing). In an interlaced system the line sets are not generated simultaneously. In a 60 Hz system, first all of the even-numbered lines are scanned: 0, 2, 4, ... 524. Then all the odd-numbered lines: 1, 3, 5, ... 525. Each set of lines usually contains different data (Fig. 2.2).

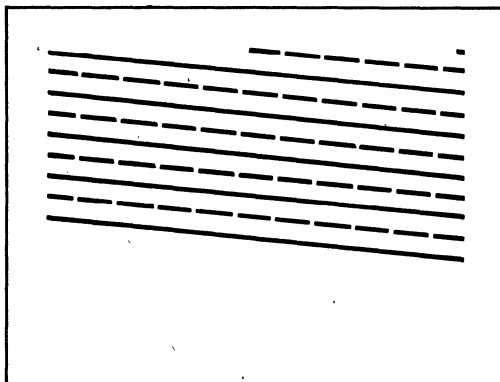


Figure 2-2. Interlaced Scan

Although interlacing provides greater resolution, it also has some distinct disadvantages. First of all, the circuitry needed to generate the extra half horizontal line per frame is quite complex when compared to a noninterlaced design, which requires an integer number of horizontal lines per frame. Next, the overall vertical refresh rate is half that of a noninterlaced display. As a result, flicker may result when the CRT uses high speed phosphors. To keep things as simple as possible, this design uses the noninterlaced approach.

The first thing any CRT controller must do is generate pulses that define the horizontal line timing and the vertical frame timing. This is usually done by dividing a crystal reference source by some appropriate numbers. On most raster scan CRT's the horizontal frequency is very forgiving and can vary by around 500 Hz or so and produce no ill effects. This means that the CRT itself can track a horizontal frequency between 15250 Hz and 16250 Hz, or in other words, there can be 256 to 270 horizontal lines per vertical frame. But, as mentioned earlier, the vertical frequency should be 60 Hz to insure stability.

The characters that are viewed on the screen are formed by a series of dots that are shifted out of the controller while the electron beam moves across the face of the CRT. The circuits that create this timing are referred to as the dot clock and character clock. The character clock is equal to the dot clock divided by the number of dots used to form a character along the horizontal axis and the dot clock is calculated by the following equation:

$$\text{DOT CLOCK (Hz)} = (N + R) * D * L * F$$

where N is the number of displayed characters per row,

R is the number of retrace character time increments,

D is the number of dots per character,

L is the number of horizontal lines per frame and

F is the frame rate in Hz.

In this design N = 80, R = 20, D = 7, L = 270, and F = 60 Hz. If the numbers are plugged in, the dot clock is found to be 11.34 MHz.

The retrace number, R, may vary from system to system because it is used to establish the margins on the left and right hand sides of the CRT. In this particular design R = 20 was empirically found to be optimum. The number of dots per character may vary depending on the character generator used and the number of dot clocks the designer wants to place between characters. This design uses a 5 X 7 dot matrix and allows 2 dot clock periods between characters (see Fig. 2.3); since 5 + 2 equals 7, we find that D = 7.

# APPLICATIONS

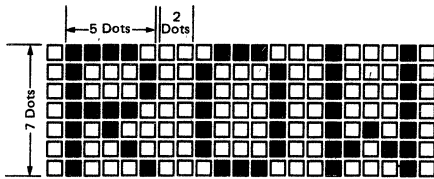


Figure 2-3. 5 X 7 Dot Matrix

The number of lines per frame can be determined by the following equation:

$$L = (H * Z) + V$$

where, H is the number of horizontal lines per character,

Z is the number of character lines per frame and

V is the number of horizontal lines during vertical retrace. In this design, a 5 X 7 dot matrix is to be placed on a 7 X 10 field, so H = 10. Also, 25 lines are to be displayed, so Z = 25. As mentioned before, V = 20. When the numbers are plugged into the equation, L is found to be equal to 270 lines per frame.

The designer should be cautioned that these numbers

are interrelated and that to guarantee proper operation on a standard raster scan CRT, L should be between 256 and 270. If L does not lie within these bounds the horizontal circuits of the CRT may not be able to lock onto the driving signal and the image will roll horizontally. The chosen L of 270 yields a horizontal frequency of 16,200 KHz on a 60 Hz frame and this number is within the 500 Hz tolerance mentioned earlier.

The V number is chosen to match the CRT in much the same manner as the R number mentioned earlier. When the electron beam reaches the bottom right corner of the screen it must retrace vertically to the top left corner. This retrace action requires time, usually between 900-1200 microseconds. To allow for this, enough horizontal sync times must be inserted during vertical retrace. Twenty horizontal sync times at 61.5 microseconds yield a total of 1234.5 microseconds, which is enough time to allow the beam to return to the top of the screen.

The choices of H and Z largely relate to system design preference. As H increases, the character size along the vertical axis increases. Z is simply the number of lines of characters that are displayed and this, of course, is entirely a system design option.

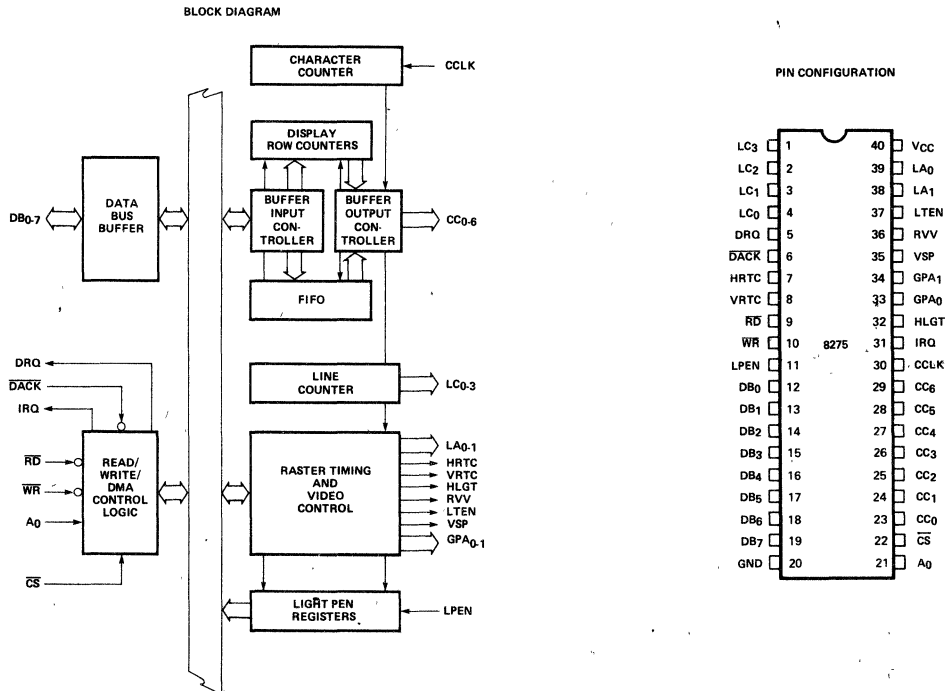


Figure 3-1. 8275 Block Diagram/Pin Configuration

# APPLICATIONS

## 3. 8275 DESCRIPTION

A block diagram and pin configuration of the 8275 are shown in Fig. 3.1. The following is a description of the general capabilities of the 8275.

### 3.1 CRT DISPLAY REFRESHING

The 8275, having been programmed by the designer to a specific screen format, generates a series of DMA request signals, resulting in the transfer of a row of characters from display memory to the 8275's row buffers. The 8275 presents the character codes to an external character generator ROM by using outputs CCO-CC6. External dot timing logic is then used to transfer the parallel output data from the character generator ROM serially to the video input of the CRT. The character rows are displayed on the CRT one line at a time. Line count outputs LCO-LC3 are applied to the character generator ROM to perform the line selection function. The display process is illustrated in Figure 3.2. The entire process is repeated for each display row. At the beginning of the last displayed row, the 8275 issues an interrupt by setting the IRQ output line. The 8275 interrupt output will normally be connected to the interrupt input of the system central processor.

The interrupt causes the CPU to execute an interrupt service subroutine. The service subroutine typically re-initializes DMA controller parameters for the next display refresh cycle, polls the system keyboard controller, and/or executes other appropriate functions. A block diagram of a CRT system implemented with the 8275 CRT Controller is provided in Figure 3.3. Proper CRT refreshing requires that certain 8275 parameters be programmed prior to the beginning of display operation. The 8275 has two types of programming registers, the Command Registers (CREG) and the Parameter Registers (PREG). It also has a Status Register (SREG). The Command Registers may only be written to and the Status Registers may only be read. The 8275 expects to receive a command followed by a sequence of from 0 to 4 parameters, depending on the command. The 8275 instruction set consist of the eight commands shown in Figure 3.4.

To establish the format of the display, the 8275 provides a number of user programmable display format parameters. Display formats having from 1 to 80 characters per row, 1 to 64 rows per screen, and 1 to 16 horizontal lines per row are available.

In addition to transferring characters from memory

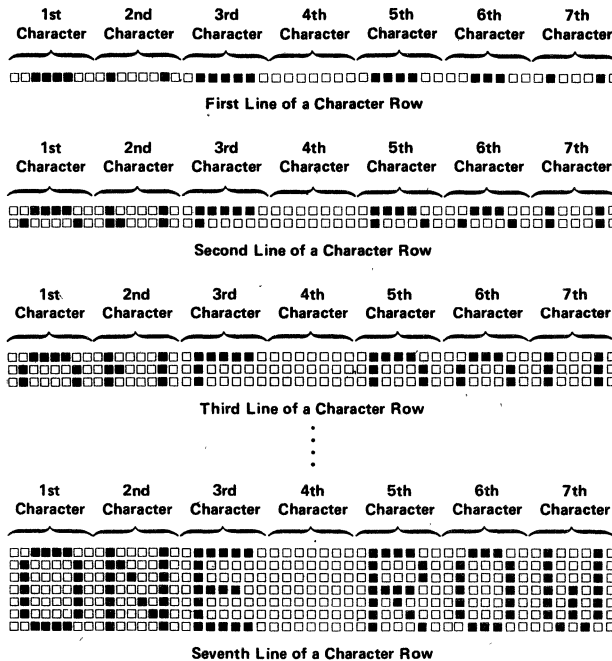


Figure 3-2. 8275 Row Display

# APPLICATIONS

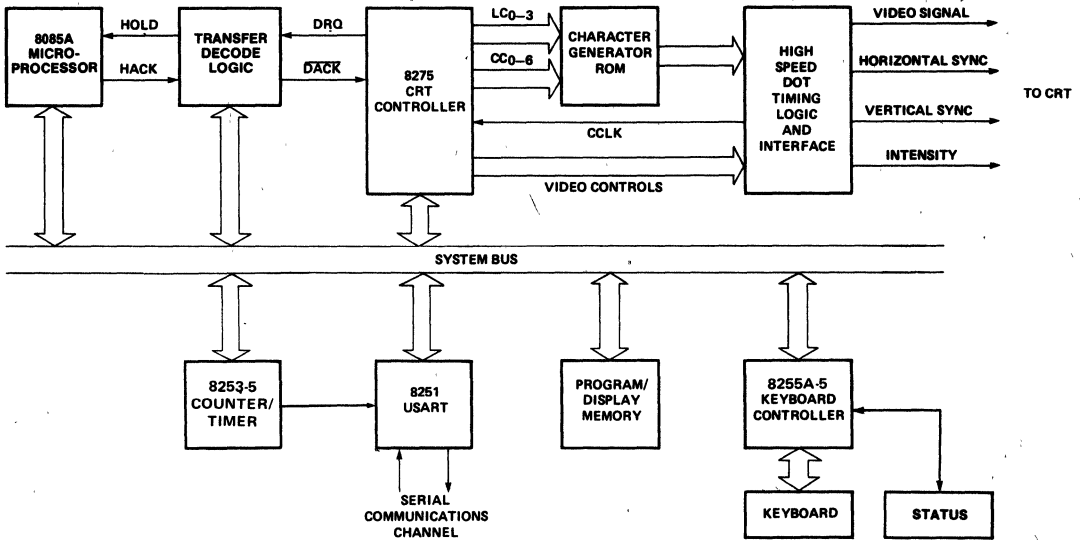


Figure 3-3. CRT System Block Diagram

to the CRT screen, the 8275 features cursor position control. The cursor position may be programmed, via X and Y cursor position registers, to any character position on the display. The user may select from four cursor formats. Blinking or non-blinking underline and reverse video block cursors are available.

### 3.2 CRT TIMING

The 8275 provides two timing outputs, HRTC and VRTC, which are utilized in synchronizing CRT horizontal and vertical oscillators to the 8275 refresh cycle. In addition, whenever HRTC or VRTC is active, a third timing output, VSP (Video Suppress) is true, providing a blinking signal to the dot timing logic. The dot timing logic will normally inhibit the video output to the CRT during the time when video suppress signal is true. An additional timing output, LTEN (Light Enable) is used to provide the ability to force the video output high regardless of the state of VSP. This feature is used by the 8275 to place a cursor on the screen and to control attribute functions. Attributes will be considered in the next section.

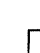
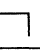
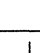
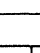
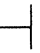
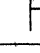
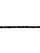
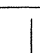

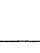
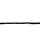
The HLGHT (Highlight) output allows an attribute function to increase the CRT beam intensity to a level greater than normal. The fifth timing signal, RVV (Reverse Video) will, when enabled, cause the system video output to be inverted.

COMMAND	NO. OF PARAMETER BYTES	NOTES
RESET	4	Display format parameters required
START DISPLAY	0	DMA operation parameters included in command
STOP DISPLAY	0	---
READ LIGHT PEN	2	---
LOAD CURSOR	2	Cursor X,Y position parameters required
ENABLE INTERRUPT	0	---
DISABLE INTERRUPT	0	---
PRESET COUNTERS	0	Clears all internal counters

Figure 3-4. 8275's Instruction Set

# APPLICATIONS

Character attributes were designed to produce the following graphics:

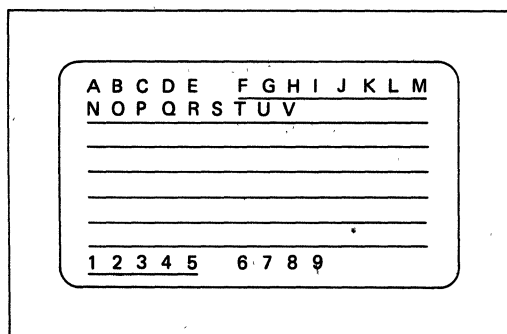
CHARACTER ATTRIBUTE CODE "CCCC"		OUTPUTS				SYMBOL	DESCRIPTION
		LA <sub>1</sub>	LA <sub>0</sub>	VSP	LLEN		
0000	Above Underline	0	0	1	0		Top Left Corner
	Underline	1	0	0	0		
	Below Underline	0	1	0	0		
0001	Above Underline	0	0	1	0		Top Right Corner
	Underline	1	1	0	0		
	Below Underline	0	1	0	0		
0010	Above Underline	0	1	0	0		Bottom Left Corner
	Underline	1	0	0	0		
	Below Underline	0	0	1	0		
0011	Above Underline	0	1	0	0		Bottom Right Corner
	Underline	1	1	0	0		
	Below Underline	0	0	1	0		
0100	Above Underline	0	0	1	0		Top Intersect
	Underline	0	0	0	1		
	Below Underline	0	1	0	0		
0101	Above Underline	0	1	0	0		Right Intersect
	Underline	1	1	0	0		
	Below Underline	0	1	0	0		
0110	Above Underline	0	1	0	0		Left Intersect
	Underline	1	0	0	0		
	Below Underline	0	1	0	0		
0111	Above Underline	0	1	0	0		Bottom Intersect
	Underline	0	0	0	1		
	Below Underline	0	0	1	0		
1000	Above Underline	0	0	1	0		Horizontal Line
	Underline	0	0	0	1		
	Below Underline	0	0	1	0		
1001	Above Underline	0	1	0	0		Vertical Line
	Underline	0	1	0	0		
	Below Underline	0	1	0	0		
1010	Above Underline	0	1	0	0		Crossed Lines
	Underline	0	0	0	1		
	Below Underline	0	1	0	0		
1011	Above Underline	0	0	0	0		Not Recommended *
	Underline	0	0	0	0		
	Below Underline	0	0	0	0		
1100	Above Underline	0	0	1	0		Special Codes
	Underline	0	0	1	0		
	Below Underline	0	0	1	0		
1101	Above Underline						Illegal
	Underline		Undefined				
	Below Underline						
1110	Above Underline						Illegal
	Underline		Undefined				
	Below Underline						
1111	Above Underline						Illegal
	Underline		Undefined				
	Below Underline						

\*Character Attribute Code 1011 is not recommended for normal operation. Since none of the attribute outputs are active, the character Generator will not be disabled, and an indeterminate character will be generated.

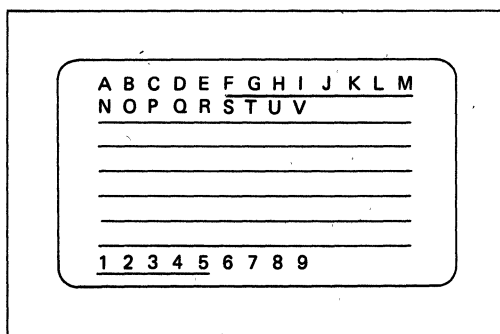
Character Attribute Codes 1101, 1110, and 1111 are illegal.  
 Blinking is active when B = 1.  
 Highlight is active when H = 1.

**Figure 3-5. Character Attributes**

# APPLICATIONS



EXAMPLE OF THE VISIBLE FIELD ATTRIBUTE MODE  
(UNDERLINE ATTRIBUTE)



EXAMPLE OF THE INVISIBLE FIELD ATTRIBUTE MODE  
(UNDERLINE ATTRIBUTE)

Figure 3-6. Field Attribute Examples

## 3.3 SPECIAL FUNCTIONS

**VISUAL ATTRIBUTES**—Visual attributes are special codes which, when retrieved from display memory by the 8275, affect the visual characteristics of a character position or field of characters. Two types of visual attributes exist, character attributes and field attributes.

**Character Attribute Codes:** Character attribute codes can be used to generate graphics symbols without the use of a character generator. This is accomplished by selectively activating the Line Attribute outputs (LAO-LA1), the Video Suppression output (VSP), and the Light Enable output (LTEN). The dot timing logic uses these signals to generate the proper symbols. Character attributes can be programmed to blink or be highlighted individually. Blinking is accomplished with the Video Suppression output (VSP). Blink frequency is equal to the screen refresh frequency divided by 32. Highlighting is accomplished by activating the Highlight output (HGLT). Character attributes were designed to produce the graphic symbols shown in Figure 3.5.

**Field Attribute Codes:** The field attributes are control codes which affect the visual characteristics for a field of characters, starting at the character following the field attribute code up to, and including, the character which precedes the next field attribute code, or up to the end of the frame.

There are six field attributes:

1. *Blink* — Characters following the code are caused to blink by activating the Video Suppression output (VSP). The blink frequency is equal to the screen refresh frequency divided by 32.

2. *Highlight* — Characters following the code are caused to be highlighted by activating the Highlight output (HGLT).
3. *Reverse Video* — Characters following the code are caused to appear in reverse video format by activating the Reverse Video output (RVV).
4. *Underline* — Characters following the code are caused to be underlined by activating the Light Enable output (LTEN).
5. *General Purpose* — There are two additional 8275 outputs which act as general purpose, independently programmable field attributes. These attributes may be used to select colors or perform other desired control functions.

The 8275 can be programmed to provide visible or invisible field attribute characters as shown in Figure 3.6. If the 8275 is programmed in the visible field attribute mode, all field attributes will occupy a position on the screen. They will appear as blanks caused by activation of the Video Suppression output (VSP). The chosen visual attributes are activated after this blanked character. If the 8275 is programmed in the invisible field attribute mode, the 8275 row buffer FIFOs are activated. The FIFOs effectively lengthen the row buffers by 16 characters, making room for up to 16 field attribute characters per display row. The FIFOs are 126 characters by 7 bits in size. When a field attribute is placed in the row buffer during DMA, the buffer input controller recognizes it and places the next character in the proper FIFO. When a field attribute is placed in the buffer output controller during display, it causes the controller to immediately put a character from the FIFO on the Character Code outputs (CCO-6). The chosen attributes are also activated.



## APPLICATIONS

**LIGHT PEN DETECTION** — A light pen consists fundamentally of a switch and light sensor. When the light pen is pressed against the CRT screen, the switch enables the light sensor. When the raster sweep coincides with the light sensor position on the display, the light pen output is input and the row and character position coordinates are stored in two 8275 internal registers. These registers can be read by the microprocessor.

**SPECIAL CODES** — Four special codes may be used to help reduce memory, software, or DMA overhead. These codes are placed in character positions in display memory.

1. *End Of Row Code* - Activates VSP. VSP remains active until the end of the line is reached. While VSP is active, the screen is blanked.
2. *End Of Row-Stop DMA Code* - Causes the DMA Control Logic to stop DMA for the rest of the row when it is written into the row buffer. It affects the display in the same way as the End of Row Code.
3. *End Of Screen Code* - Activates VSP. VSP remains active until the end of the frame is reached.
4. *End Of Screen-Stop DMA Code* - Causes the DMA Control Logic to stop DMA for the rest of the frame when it is written into the row buffer. It affects the display in the same way as the End of Screen Code.

**PROGRAMMABLE DMA BURST CONTROL** — The 8275 can be programmed to request single-byte DMA transfers of DMA burst transfers of 2, 4, or 8 characters per burst. The interval between bursts is also programmable. This allows the user to tailor the DMA overhead to fit the system needs.

## 4. DESIGN BACKGROUND

### 4.1 DESIGN PHILOSOPHY

Since the cost of any CRT system is somewhat proportional to parts count, arriving at a minimum part count solution without sacrificing performance has been the motivating force throughout this design effort. To successfully design a CRT terminal and keep the parts count to a minimum, a few things became immediately apparent.

1. An 8085 should be used.
2. Address and data buffering should be eliminated.
3. Multi-port memory should be eliminated.
4. DMA should be eliminated.

Decision 1 is obvious, the 8085's on-board clock generator, bus controller and vectored interrupts greatly reduce the overall part count considerably.

Decision 2 is fairly obvious; if a circuit can be designed so that loading on the data and address lines is kept to a minimum, both the data and address buffers can be eliminated. This easily saves three to eight packages and reduces the power consumption of the design. Both decisions 3 and 4 require a basic understanding of current CRT design concepts.

In any CRT design, extreme time conflicts are created because all essential elements require access to the bus. The CPU needs to access the memory to control the system and to handle the incoming characters, but, at the same time, the CRT controller needs to access the memory to keep the raster scan display refreshed. To resolve this conflict two common techniques are employed, page buffering and line buffering.

In the page buffering approach the entire screen memory is isolated from the rest of the system. This isolation is usually accomplished with three-state buffers or two line to one line multiplexers. Of course, whenever a character needs to be manipulated the CPU must gain access to the buffered memory and, again, possible contention between the CPU and the CRT controller results. This contention is usually resolved in one of two ways, (1) the CPU is always given priority, or; (2) the CPU is allowed to access the buffered memory only during horizontal and vertical retrace times.

Approach 1 is the easiest to implement from a hardware point of view, but if the CPU always has priority the display may temporarily blink or "flicker" while the CPU accesses the display memory. This, of course, occurs because when the CPU accesses the display memory the CRT controller is not able to retrieve a character, so the display must be blanked during this time. Aesthetically, this "flickering" is not desirable, so approach 2 is often used.

The second approach eliminates the display flickering encountered in the previously mentioned technique, but additional hardware is required. Usually the vertical and horizontal blank signals are gated with the buffered memory select lines and this line is used to control the CPU's ready line. So, if the CPU wants to use the buffered memory, its ready line is asserted until horizontal or vertical retrace times. This, of course, will impact the CPU's overall throughput.

Both page buffered approaches require a significant amount of additional hardware and for the most part are not well suited for a minimum parts count type of terminal. This guides us to the line buffered approach. This approach eliminates the separate buffered memory for the display, but, at the same time, introduces a few new problems that must be solved.

# APPLICATIONS

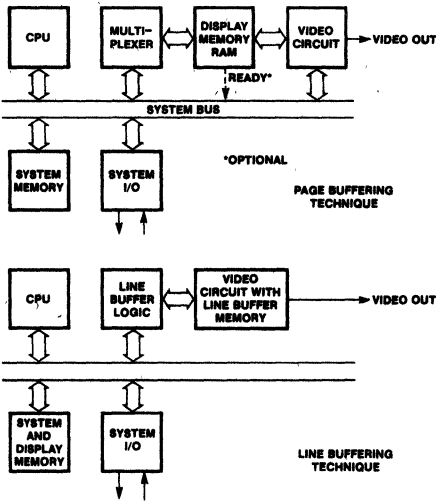


Figure 4-1. Line Buffering Technique

In the line buffered approach both the CPU and the CRT controller share the same memory. Every time the CRT controller needs a new character or line of data, normal processing activity is halted and the CRT controller accesses memory and displays the data. Just how the CRT controller needs to acquire the display data greatly affects the performance of the overall system. Whether the CRT controller needs to gain access to the main memory to acquire a single character or a complete line of data depends on the presence or absence of a separate line or row buffer.

If no row buffer is present the CRT controller must go to the main memory to fetch every character. This of course, is not a very efficient approach because the processor will be forced to relinquish the bus 70% to 80% of the time. So much processor inactivity greatly affects the overall system performance. In fact terminals that use this approach are typically limited to around 1200 to 2400 baud on their serial communication channels. This low baud rate is in general not acceptable, hence this approach was not chosen.

If a separate row buffer is employed the CRT controller only has to access the memory once for each displayed character per line. This forces the processor to relinquish the bus only about 20% to 35% of the time and a full 4800 to 9600 baud can be achieved. Figure 4.1 illustrates these different techniques.

The 8275 CRT controller is ideal for implementing the row buffer approach because the row buffer is contained on the device itself. In fact, the 8275 contains two 80-byte row buffers. The presence of two row buffers allow one buffer to be filled while the other buffer is displaying the data. This dual row buffer approach enhances CPU performance even further.

## 4.2 USING THE 8275 WITHOUT DMA

Until now the process of filling the row buffer has only been alluded to. In reality, a DMA technique is usually used. This approach was demonstrated in AP-32 where an 8257 DMA controller was mated to an 8275 CRT controller. In order to minimize component count, this design eliminates the DMA controller and its associated circuitry while replacing them with a special interrupt-driven transfer.

The only real concern with using the 8275 in an interrupt-driven transfer mode is speed. Eighty characters must be loaded into the 8275 every 617 microseconds and the processor must also have time to perform all the other tasks that are required. To minimize the overhead associated with loading the characters into the 8275 a special technique was employed. This technique involves setting a special

CLOCK CYCLES	SEQ	SOURCE STATEMENT
10	1	PUSH PSH ;SAVE R AND FLAGS
10	2	PUSH H ;SAVE H AND L
10	3	PUSH D ;SAVE D AND E
10	4	LXI H,0000H ;ZERO H AND L
10	5	DAD SP ;PUT STACK POINTER IN H AND L
4	6	XCHG ;PUT STACK IN D AND E
16	7	LHLD CURADR ;GET POINTER
6	8	SPHL ;PUT CURRENT LINE INTO SP
7	9	MVI A,000H ;SET MASK FOR SH
4	10	SIH ;SET SPECIAL TRANSFER BIT
400	11	POP H ;DO 40 MOPS
4	12	RRC ;SET UP A
4	13	SIH ;GO BACK TO NORMAL MODE
10	14	LXI H,0000H ;ZERO HL
10	15	DAD SP ;GET STACK
4	16	XCHG ;PUT STACK IN H AND L
6	17	SPHL ;RESTORE STACK
10	18	LXI H,LAST ;PUT BOTTOM DISPLAY IN H AND L
4	19	XCHG ;SWAP REGISTERS
4	20	MOV R,D ;PUT HIGH ORDER IN A
4	21	CMP H ;SEE IF SAVE AS H
7/10	22	JNZ KPTK ;IF NOT LEAVE
4	23	MOV A,E ;PUT LOW ORDER IN A
4	24	CMP L ;SEE IF SAVE AS L
7/10	25	JNZ KPTK ;IF NOT LEAVE
10	26	LXI H,TPDIS ;LOAD H AND L WITH TOP OF SCREEN MEMORY
16	27	KPTK SHLD CURADR ;PUT BACK CURRENT ADDRESS
7	28	MVI A,10H ;GET MASK BYTE
4	29	SIH ;SET INTERRUPT MASK
10	30	POP D ;GET D AND E
10	31	POP H ;GET H AND L
10	32	POP PSH ;GET D AND FLAGS
4	33	EI ;ENABLE INTERRUPTS
10	34	RET ;GO BACK

TOTAL CLOCK CYCLES = 650 (Worst Case)

WITH A 6.144 MHz CRYSTAL TOTAL TIME TO FILL

ROW BUFFER ON 8275 = 650 \* .325 = 211.25 MICROSECONDS

Figure 4-2. Routine To Load 8275's Row Buffers

## APPLICATIONS

transfer bit and executing a string of POP instructions. The string of POP instructions is used to rapidly move the data from the memory into the 8275. Figure 4.2 shows the basic software structure.

In this design the 8085's SOD line was used as the special transfer bit. In order to perform the transfer properly this special bit must do two things: (1) turn processor reads into  $\overline{\text{DACK}}$  plus  $\overline{\text{WR}}$  for the 8275 and (2) mask processor fetch cycles from the 8275, so that a fetch cycle does not write into the 8275. Conventional logic could have been used to implement this special function, but in this design a small bipolar programmable read only memory was used. Figure 4.3 shows a basic version of the hardware.

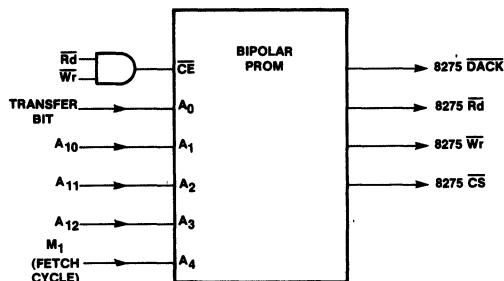


Figure 4-3. Simplified Version of Hardware Decoder

At first, it may seem strange that we are supplying a  $\overline{\text{DACK}}$  when no DMA controller exist in the system. But the reader should be aware that all Intel peripheral devices that have DMA lines actually use  $\overline{\text{DACK}}$  as a chip select for the data. So, when you want to write a command or read status you assert  $\overline{\text{CS}}$  and  $\overline{\text{WR}}$  or  $\overline{\text{RD}}$ , but when you want to read or write data you assert  $\overline{\text{DACK}}$  and  $\overline{\text{RD}}$  or  $\overline{\text{WR}}$ . The peripheral device doesn't "know" if a DMA controller is in the circuit or not. In passing, it should be mentioned that  $\overline{\text{DACK}}$  and  $\overline{\text{CS}}$  should not be asserted on the same device at the same time, since this combination yields an undefined result.

This POP technique actually compares quite favorably in terms of time to the DMA technique. One POP instruction transfers two bytes of data to the 8275 and takes 10 CPU clock cycles to execute, for a net transfer rate of one byte every five clock cycles. The DMA controller takes four clock cycles to transfer one byte but, some time is lost in synchronization. So the difference between the two techniques is one clock cycle per byte maximum. If we compare the overall speed of the 8085 to the

speed of the 8080 used in AP-32, we find that at 3 MHz we can transfer one byte every 1.67 microseconds using the 8085 and POP technique vs. 2 microseconds per byte for the 2 MHz 8080 using DMA.

## 5. CIRCUIT DESCRIPTION

### 5.1 SCOPE OF THE PROJECT

A fully functional, microprocessor-based CRT terminal was designed and constructed using the 8275 CRT controller and the 8085 as the controlling element. The terminal had many of the functions found in existing commercial low-cost terminals and more sophisticated features could easily be added with a modest amount of additional software. In order to minimize component count LSI devices were used whenever possible and software was used to replace hardware.

### 5.2 SYSTEM TARGET SPECIFICATIONS

The design specifications for the CRT terminal were as follows:

#### *Display Format*

- 80 characters per display row
- 25 display rows

#### *Character Format*

- 5 X 7 dot matrix character contained within a 7 X 10 matrix
- First and seventh columns blanked
- Ninth line cursor position
- Blinking underline cursor

#### *Special Characters Recognized*

- Control characters
- Line feed
- Carriage Return
- Backspace
- Form feed

#### *Escape Sequences Recognized*

- ESC, A, Cursor up
- ESC, B, Cursor down
- ESC, C, Cursor right
- ESC, D, Cursor left
- ESC, E, Clear screen
- ESC, H, Home cursor
- ESC, J, Erase to the end of the screen
- ESC, K, Erase the current line

#### *Characters Displayed*

- 96 ASCII alphanumeric characters
- Special control characters

# APPLICATIONS

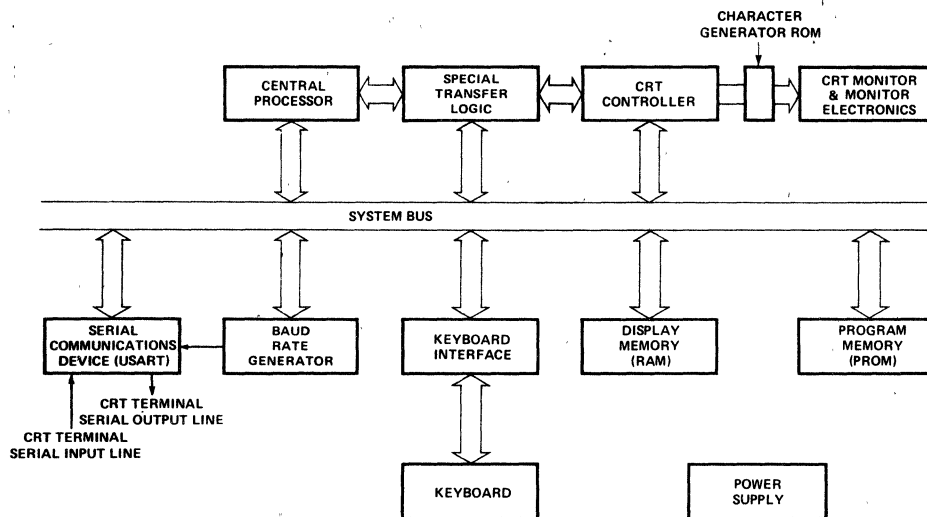


Figure 5-1. CRT Terminal Block Diagram

## Characters Transmitted

- 96 ASCII alphanumeric characters
- ASCII control characters

## Program Memory

- 2K bytes of 2716 EPROM

## Display/Buffer/Stack Memory

- 2K bytes 2114 static memory (4 packages)

## Data Rate

- 9600 BAUD using 3MHz 8085

## CRT Monitor

- Ball Bros TV-12, 12MHz B.W.

## Keyboard

- Any standard un-encoded ASCII keyboard

## Screen Refresh Rate

- 60 Hz

## 5.3 HARDWARE DISCRPTION

A block diagram of the CRT terminal is shown in Figure 5.1. The diagram shows only the essential system features. A detailed schematic of the CRT is contained in the Appendix. The terminal was constructed on a simple 6" by 6" wire wrap board. Because of the minimum bus loading no buffering of any kind was needed (see Figure 5.2).

The "heart" of the CRT terminal is the 8085 microprocessor. The 8085 initializes all devices in the system, loads the CRT controller, scans the keyboard, assembles the characters to be trans-

## Worst case bus loading:

Data Bus:	8275	20pf
	8255A-5	20pf
	8253-5	20pf
	8253-5	20pf
	8251A	20pf
	2x 2114	10pf
	2716	12pf
	8212	12pf
		114pf max

Only A<sub>8</sub> - A<sub>15</sub> are important since A<sub>0</sub> - A<sub>7</sub> are latched by the 8212

Address Bus:	4x 2114	20pf
	2716	6pf
		26pf max

This loading assures that all components will be compatible with a 3MHz 8085 and that no wait states will be required

Figure 5-2. Bus Loading

mitted, decodes the incoming characters and determines where the character is to be placed on the screen. Clearly, the processor is quite busy.

A standard list of LSI peripheral devices surround the 8085. The 8251A is used as the serial communication link, the 8255A-5 is used to scan the keyboard and read the system variables through a set of

## APPLICATIONS

switches, and the 8253 is used as a baud rate generator and as a "horizontal pulse extender" for the 8275.

The 8275 is used as the CRT controller in the system, and a 2716 is used as the character generator. To handle the high speed portion of the terminal the 8275 is surrounded by a small handful of TTL. The program memory is contained in one 2716 EPROM and the data and screen memory use four 2114-type RAMs.

All devices in this system are memory mapped. A bipolar PROM is used to decode all of the addresses for the RAM, ROM, 8275, and 8253. As mentioned earlier, the bipolar prom also turns READs into DACK's and WR's for the 8275. The 8255 and 8253 are decoded by a simple address line chip select method. The total package count for the system is 20, not including the serial line drivers. If this same terminal were designed using the MCS-85 family of integrated circuits, additional part savings could have been realized. The four 2114's could have been replaced by two 8185's and the 8255 and the 2716 program PROM could have been replaced by one 8755. Additionally, since both the 8185 and the 2716 have address latches no 8212 would be needed, so the total parts count could be reduced by three or four packages.

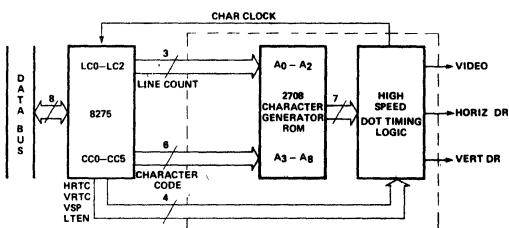
### 5.4 SYSTEM OPERATION

The 8085 CPU initializes each peripheral to the appropriate mode of operation following system reset. After initialization, the 8085 continually polls the 8251A to see if a character has been sent to the terminal. When a character has been received, the 8085 decodes the character and takes appropriate action. While the 8085 is executing the above "foreground" programs, it is being interrupted once every 617 microseconds by the 8275. This "background" program is used to load the row buffers on the 8275. The 8085 is also interrupted once every frame time, or 16.67 ms, to read the keyboard and the status of the 8275.

As discussed earlier, a special POP technique was used to rapidly move the contents of the display RAM into the 8275's row buffers. The characters are then synchronously transferred to the character code outputs CC0-CC6, connected to the character generator address lines A3-A9 (Figure 5.3). Line count outputs LC0-LC2 from the 8275 are applied to the character generator address lines A0-A2. The 8275 displays character rows one-line at a time. The line count outputs are used to determine which line of the character selected by A3-A8 will be displayed. Following the transfer of the first line to the dot timing logic, the line count is incremented and the second line of the character row is selected. This

process continues until the last line of the row is transferred to the dot timing logic.

The dot timing logic latches the output of the character generator ROM into a parallel in, serial out synchronous shift register. This shift register is clocked at the dot clock rate (11.34 MHz) and its output constitutes the video input to the CRT.



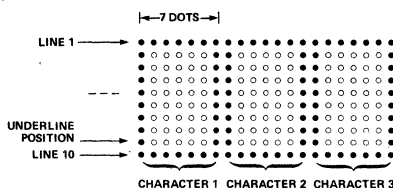
**Figure 5-3 Character Generator/Dot Timing Logic Block Diagram**

**Table 5-1**

PARAMETER	RANGE
Vertical Blanking Time (VRTC)	900 $\mu$ sec nominal
Vertical Drive Pulsewidth	300 $\mu$ sec $\leq$ PW $\leq$ 1.4 ms
Horizontal Blanking Time (HRTC)	11 $\mu$ sec nominal
Horizontal Drive Pulsewidth	25 $\mu$ sec $\leq$ PW $\leq$ 30 $\mu$ sec
Horizontal Repetition Rate	15,750 $\pm$ 500 pps

### 5.5 SYSTEM TIMING

Before any specific timing can be calculated it is necessary to determine what constraints the chosen CRT places on the overall timing. The requirements for the Ball Bros. TV-12 monitor are shown in Table 5.1. The data from Table 5.1, the 8275 specifications, and the system target specifications are all that is needed to calculate the system's timing.



**Figure 5-4. Row Format**

# APPLICATIONS

First, let's select and "match" a few numbers. From our target specifications, we see that each character is displayed on a 7 X 10 field, and is formed by a 5 X 7 dot matrix (Figure 5.4). The 8275 allows the vertical retrace time to be only an integer multiple of

the horizontal character line. This means that the total number of horizontal lines in a frame equals 10 times the number of character lines plus the vertical retrace time, which is programmed to be either 1, 2, 3, or 4 character lines. Twenty-five display lines

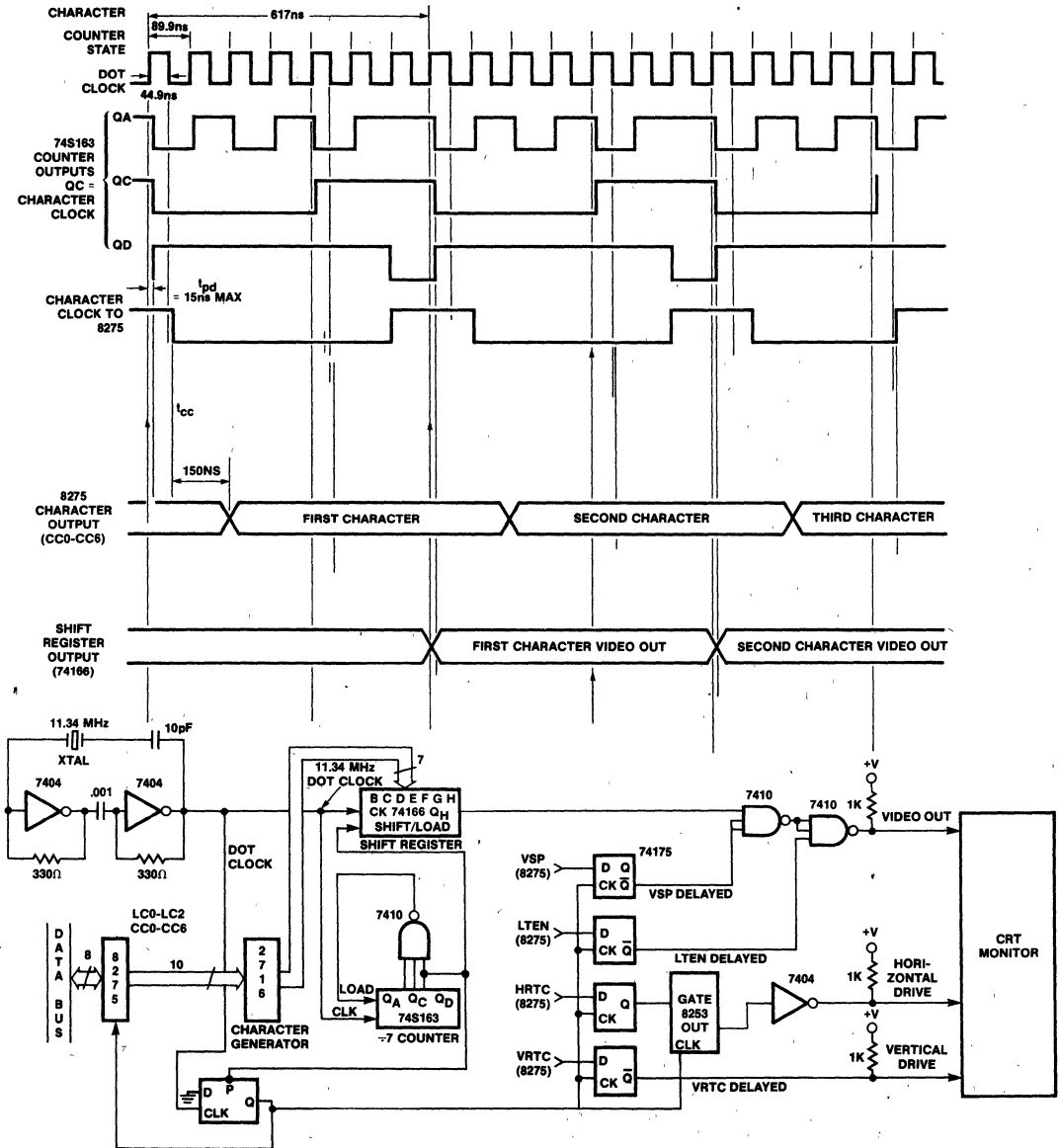


Figure 5-5. Dot Timing Logic

## APPLICATIONS

require 250 horizontal lines. So, if we wish to have a horizontal frequency in the neighborhood of 15,750 Hz we must choose either one or two character lines for vertical retrace. To allow for a little more margin at the top and bottom of the screen, two character lines were chosen for vertical retrace. This choice yields a net  $250 + 20 = 270$  horizontal lines per frame. So, assuming a 60 Hz frame:

$$60 \text{ Hz} * 270 = 16,200 \text{ Hz (horizontal frequency)}$$

This value falls within our target specification of 15,750 Hz with a 500 Hz variation and also assures timing compatibility with the Ball monitor since, 20 horizontal sync times yield a vertical retract time of:

$$61.7 \text{ microseconds} \times 20 \text{ horizontal sync times} = 1.2345 \text{ milliseconds}$$

This number meets the nominal VRTC and vertical drive pulse width time for the Ball monitor. A horizontal frequency of 16,200 Hz implies a  $1/16,200 = 61.73$  microsecond period.

It is now known that the terminal is using 250 horizontal lines to display data and 20 horizontal lines to allow for vertical retrace and that the horizontal frequency is 16,200 Hz. The next thing that needs to be determined is how much time must

be allowed for horizontal retrace. Unfortunately, this number depends almost entirely on the monitor used. Usually, this number lies somewhere between 15 and 30 percent of the total horizontal line time, which in this case is  $1/16,200 \text{ Hz}$  or 61.73 microseconds. Since in most designs a fixed number of characters can be displayed on a horizontal line, it is often useful to express retrace as a given number of character times. In this design, 80 characters can be displayed on a horizontal line and it was empirically found that allowing 20 horizontal character times for retrace gave the best results. So, in reality, there are 100 character times in every given horizontal line, 80 are used to display characters and 20 are used to allow for retrace. It should be noted that if too many character times are used for retrace, less time will be left to display the characters and the display will not "fill out" the screen. Conversely, if not enough character times are allowed for retrace, the display may "run off" the screen.

One hundred character times per complete horizontal line means that each character requires

$$61.73 \text{ microseconds} / 100 \text{ character times} = 617.3 \text{ nanoseconds.}$$

If we multiply the 20 horizontal retrace times by the

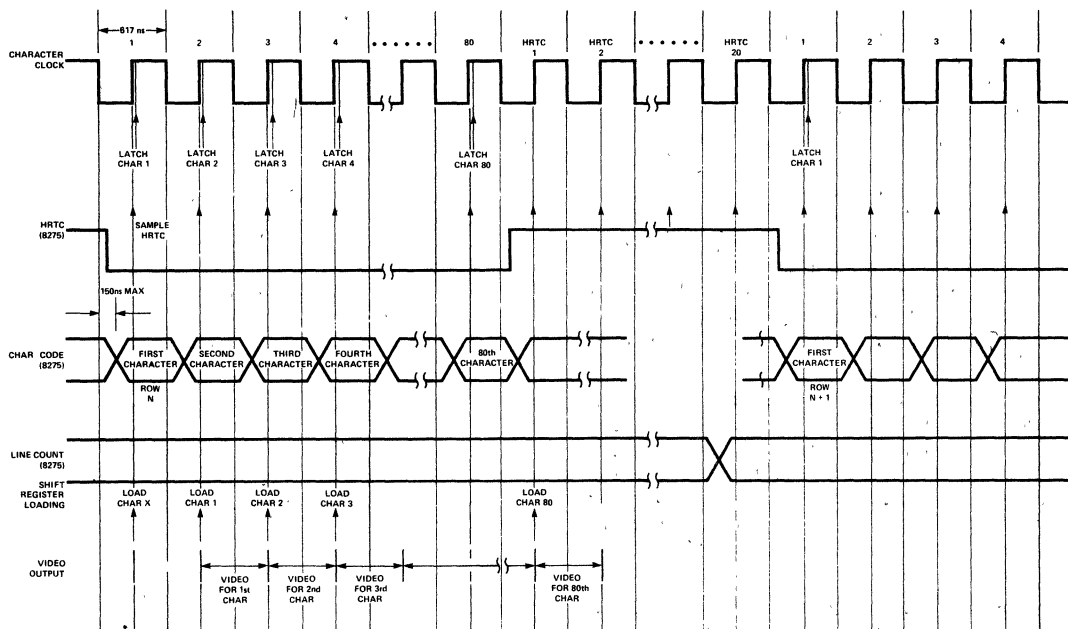


Figure 5-6. CRT System Timing

# APPLICATIONS

617.3 nanoseconds needed for each character, we find

$$617.3 \text{ nanoseconds} * 20 \text{ retrace times} = 12.345 \text{ microseconds}$$

This value falls short of the 25 to 30 microseconds required by the horizontal drive of the Ball monitor. To correct for this, an 8253 was programmed in the one-shot mode and was used to extend the horizontal drive pulsewidth.

Now that the 617.3 nanosecond character clock period is known, the dot clock is easy to calculate. Since each character is formed by placing 7 dots along the horizontal.

$$\text{DOT CLOCK PERIOD} = 617.3 \text{ ns} \\ (\text{CHARACTER CLK PERIOD}) / 7 \text{ DOTS}$$

$$\text{DOT CLOCK PERIOD} = 88.183 \text{ nanoseconds}$$

$$\text{DOT CLOCK FREQUENCY} = 1/\text{PERIOD} = \\ 11.34 \text{ MHz}$$

Figures 5.5 and 5.6 illustrate the basic dot timing and the CRT system timing, respectively.

## 6. SYSTEM SOFTWARE

### 6.1 SOFTWARE OVERVIEW

As mentioned earlier the software is structured on a "foreground-background" basis. Two interrupt-driven routines, FRAME and POPDAT (Fig. 6.1) request service every 16.67 milliseconds and 617 microseconds respectively, frame is used to check the baud rate switches, update the system pointers and decode and assemble the keyboard characters. POPDAT is used to move data from the memory into the 8275's row buffer rapidly.

The foreground routine first examines the line-local switch to see whether to accept data from the USART or the keyboard. If the terminal is in the local mode, action will be taken on any data that is entered through the keyboard and the USART will be ignored on both output and input. If the terminal is in the line mode data entered through the keyboard will be transmitted by the USART and action will be taken on any data read out of the USART.

When data has been entered in the terminal the software first determines if the character received was an escape, line feed, form feed, carriage return, back space, or simply a printable character. If an escape was received the terminal assumes the next received character will be a recognizable escape sequence character. If it isn't no operation is performed.

After the character is decoded, the processor jumps to the routine to perform the required task. Figure 6.2 is a flow chart of the basic software operations; the program is listed in Appendix 6.8.

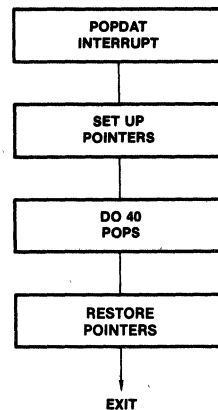
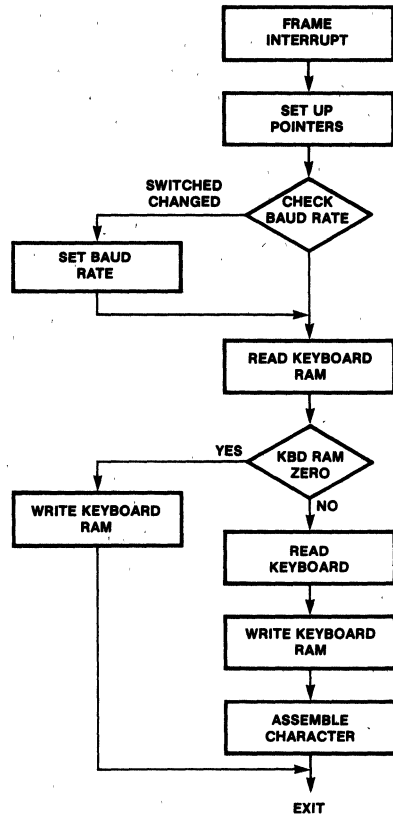


Figure 6-1. Frame and Popdat Interrupt Routines



# APPLICATIONS

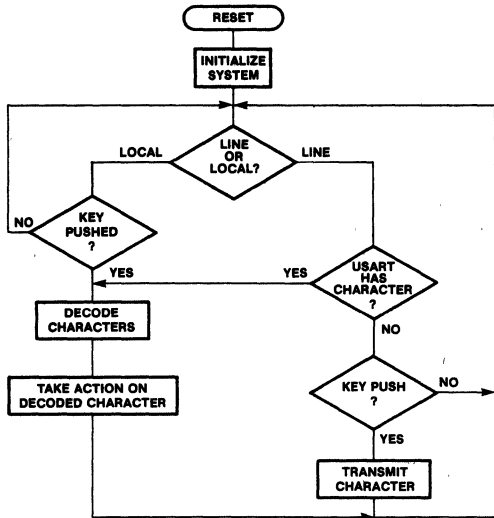


Figure 6-2. Basic Terminal Software

	1st Column	2nd Column	.....	80th Column
ROW 1	0800H	0801H	.....	084FH
ROW 2	0850H	0851H	.....	089FH
ROW 3	08A0H	08A1H	.....	08EFH
ROW 4	08F0H	08F1H	.....	093FH
ROW 5	0940H	0941H	.....	098FH
ROW 6	0990H	0991H	.....	09DFH
ROW 7	09E0H	09E1H	.....	0A2FH
ROW 8	0A30H	0A31H	.....	0A7FH
ROW 9	0A80H	0A81H	.....	0ACFH
ROW 10	0AD0H	0AD1H	.....	0B1FH
ROW 11	0B20H	0B21H	.....	0B6FH
ROW 12	0B70H	0B71H	.....	0BBFH
ROW 13	0BC0H	0BC1H	.....	0C0FH
ROW 14	0C10H	0C11H	.....	0C5FH
ROW 15	0C60H	0C61H	.....	0CAFH
ROW 16	0CB0H	0CB1H	.....	0CFFH
ROW 17	0D00H	0D01H	.....	0D4FH
ROW 18	0D50H	0D51H	.....	0D9FH
ROW 19	0DA0H	0DA1H	.....	0DEFH
ROW 20	0DF0H	0DF1H	.....	0E3FH
ROW 21	0E40H	0E41H	.....	0E8FH
ROW 22	0E90H	0E91H	.....	0EDFH
ROW 23	0EE0H	0EE1H	.....	0F2FH
ROW 24	0F30H	0F31H	.....	0F7FH
ROW 25	0F80H	0F81H	.....	0FCFH

Figure 6-3. Screen Display After Initialization

## 6.2 SYSTEM MEMORY ORGANIZATION

The display memory organization is shown in Figure 6.3. The display begins at location 0800H in memory and ends at location 0FCFH. The 48 bytes of RAM from location 0FD0H to 0FFFH are used as system stack and temporary system storage. 2K bytes of PROM located at 0000H through 07FFH contain the systems program.

## 6.3 MEMORY POINTERS AND SCROLLING

To calculate the location of a character on the screen, three variables must be defined. Two of these variables are the X and Y position of the cursor (CURSX, CURSY). In addition, the memory address defining the top line of the display must be known, since scrolling on the 8275 is accomplished simply by changing the pointer that loads the 8275's row buffers from memory. So, if it is desired to scroll the display up or down all that must be changed is one 16-bit memory pointer. This pointer is entered into the system by the variable TOPAD (TOP Address) and always defines the top line of the display. Figure 6.4 details screen operation during scrolling.

Subroutines CALCU (Calculate) and ADX (ADd X axis) use these three variables to calculate an absolute memory address. The subroutine CALCU is used whenever a location in the screen memory must be altered.

## 6.4 SOFTWARE TIMING

One important question that must be asked about the terminal software is, "How fast does it run". This is important because if the terminal is running at 9600 baud, it must be able to handle each received character in 1.04 milliseconds. Figure 6.5 is a flowchart of the subroutine execution times. It should be pointed out that all of the times listed are "worst case" execution times. This means that all routines assume they must do the maximum amount of data manipulation. For instance, the PUT routine assumes that the character is being placed in the last column and that a line feed must follow the placing of the character on the screen.

How fast do the routines need to execute in order to assure operation at 9600 baud? Since POPDAT interrupts occur every 617 microseconds, it is possible to receive two complete interrupt requests in every character time (1042 microseconds) at 9600

# APPLICATIONS

ROW 1	0800H	0801H	.....084FH
ROW 2	0850H	0851H	.....089FH
ROW 3	08A0H	08A1H	.....08EFH
ROW 4	08F0H	08F1H	.....093FH
ROW 5	0940H	0941H	.....098FH
ROW 6	0990H	0991H	.....090FH
ROW 7	09E0H	09E1H	.....0A2FH
ROW 8	0A30H	0A31H	.....0A7FH
ROW 9	0A80H	0A81H	.....0ACFH
ROW 10	0AD0H	0AD1H	.....0B1FH
ROW 11	0B20H	0B21H	.....0B6FH
ROW 12	0B70H	0B71H	.....0BBFH
ROW 13	0BC0H	0BC1H	.....0C0FH
ROW 14	0C10H	0C11H	.....0C5FH
ROW 15	0C60H	0C61H	.....0CAFH
ROW 16	0CB0H	0CB1H	.....0CFFH
ROW 17	0D00H	0D01H	.....0D4FH
ROW 18	0D50H	0D51H	.....0D9FH
ROW 19	0DA0H	0DA1H	.....0DEFH
ROW 20	0DF0H	0DF1H	.....0E3FH
ROW 21	0E40H	0E41H	.....0E8FH
ROW 22	0E90H	0E91H	.....0EDFH
ROW 23	0EE0H	0EE1H	.....0F2FH
ROW 24	0F30H	0F31H	.....0F7FH
ROW 25	0F80H	0F81H	.....0FCFH

After Initialization

ROW 2	0850H	0851H	.....089FH
ROW 3	08A0H	08A1H	.....08EFH
ROW 4	08F0H	08F1H	.....093FH
ROW 5	0940H	0941H	.....098FH
ROW 6	0990H	0991H	.....090FH
ROW 7	09E0H	09E1H	.....0A2FH
ROW 8	0A30H	0A31H	.....0A7FH
ROW 9	0A80H	0A81H	.....0ACFH
ROW 10	0AD0H	0AD1H	.....0B1FH
ROW 11	0B20H	0B21H	.....0B6FH
ROW 12	0B70H	0B71H	.....0BBFH
ROW 13	0BC0H	0BC1H	.....0C0FH
ROW 14	0C10H	0C11H	.....0C5FH
ROW 15	0C60H	0C61H	.....0CAFH
ROW 16	0CB0H	0CB1H	.....0CFFH
ROW 17	0D00H	0D01H	.....0D4FH
ROW 18	0D50H	0D51H	.....0D9FH
ROW 19	0DA0H	0DA1H	.....0DEFH
ROW 20	0DF0H	0DF1H	.....0E3FH
ROW 21	0E40H	0E41H	.....0E8FH
ROW 22	0E90H	0E91H	.....0EDFH
ROW 23	0EE0H	0EE1H	.....0F2FH
ROW 24	0F30H	0F31H	.....0F7FH
ROW 25	0F80H	0F81H	.....0FCFH
ROW 1	0800H	0801H	.....084FH

After 1 Scroll

ROW 3	08A0H	08A1H	.....08EFH
ROW 4	08F0H	08F1H	.....093FH
ROW 5	0940H	0941H	.....098FH
ROW 6	0990H	0991H	.....090FH
ROW 7	09E0H	09E1H	.....0A2FH
ROW 8	0A30H	0A31H	.....0A7FH
ROW 9	0A80H	0A81H	.....0ACFH
ROW 10	0AD0H	0AD1H	.....0B1FH
ROW 11	0B20H	0B21H	.....0B6FH
ROW 12	0B70H	0B71H	.....0BBFH
ROW 13	0BC0H	0BC1H	.....0C0FH
ROW 14	0C10H	0C11H	.....0C5FH
ROW 15	0C60H	0C61H	.....0CAFH
ROW 16	0CB0H	0CB1H	.....0CFFH
ROW 17	0D00H	0D01H	.....0D4FH
ROW 18	0D50H	0D51H	.....0D9FH
ROW 19	0DA0H	0DA1H	.....0DEFH
ROW 20	0DF0H	0DF1H	.....0E3FH
ROW 21	0E40H	0E41H	.....0E8FH
ROW 22	0E90H	0E91H	.....0EDFH
ROW 23	0EE0H	0EE1H	.....0F2FH
ROW 24	0F30H	0F31H	.....0F7FH
ROW 25	0F80H	0F81H	.....0FCFH
ROW 1	0800H	0801H	.....084FH
ROW 2	0850H	0851H	.....089FH

After 2 Scrolls

ROW 4	08F0H	08F1H	.....093FH
ROW 5	0940H	0941H	.....098FH
ROW 6	0990H	0991H	.....090FH
ROW 7	09E0H	09E1H	.....0A2FH
ROW 8	0A30H	0A31H	.....0A7FH
ROW 9	0A80H	0A81H	.....0ACFH
ROW 10	0AD0H	0AD1H	.....0B1FH
ROW 11	0B20H	0B21H	.....0B6FH
ROW 12	0B70H	0B71H	.....0BBFH
ROW 13	0BC0H	0BC1H	.....0C0FH
ROW 14	0C10H	0C11H	.....0C5FH
ROW 15	0C60H	0C61H	.....0CAFH
ROW 16	0CB0H	0CB1H	.....0CFFH
ROW 17	0D00H	0D01H	.....0D4FH
ROW 18	0D50H	0D51H	.....0D9FH
ROW 19	0DA0H	0DA1H	.....0DEFH
ROW 20	0DF0H	0DF1H	.....0E3FH
ROW 21	0E40H	0E41H	.....0E8FH
ROW 22	0E90H	0E91H	.....0EDFH
ROW 23	0EE0H	0EE1H	.....0F2FH
ROW 24	0F30H	0F31H	.....0F7FH
ROW 25	0F80H	0F81H	.....0FCFH
ROW 1	0800H	0801H	.....084FH
ROW 2	0850H	0851H	.....089FH
ROW 3	08A0H	08A1H	.....08EFH

After 3 Scrolls

**Figure 6-4. Screen Memory During Scrolling**

# APPLICATIONS

baud. Each POPDAT interrupt executes in 211 microseconds maximum. This means that each routine must execute in:

$$1042 - 2 * 211 = 620 \text{ microseconds}$$

By adding up the times for any loop, it is clear that all routines meet this speed requirement, with the exception of ESC J. This means that if the terminal is operating at 9600 baud, at least one character time must be inserted after an ESC J sequence.

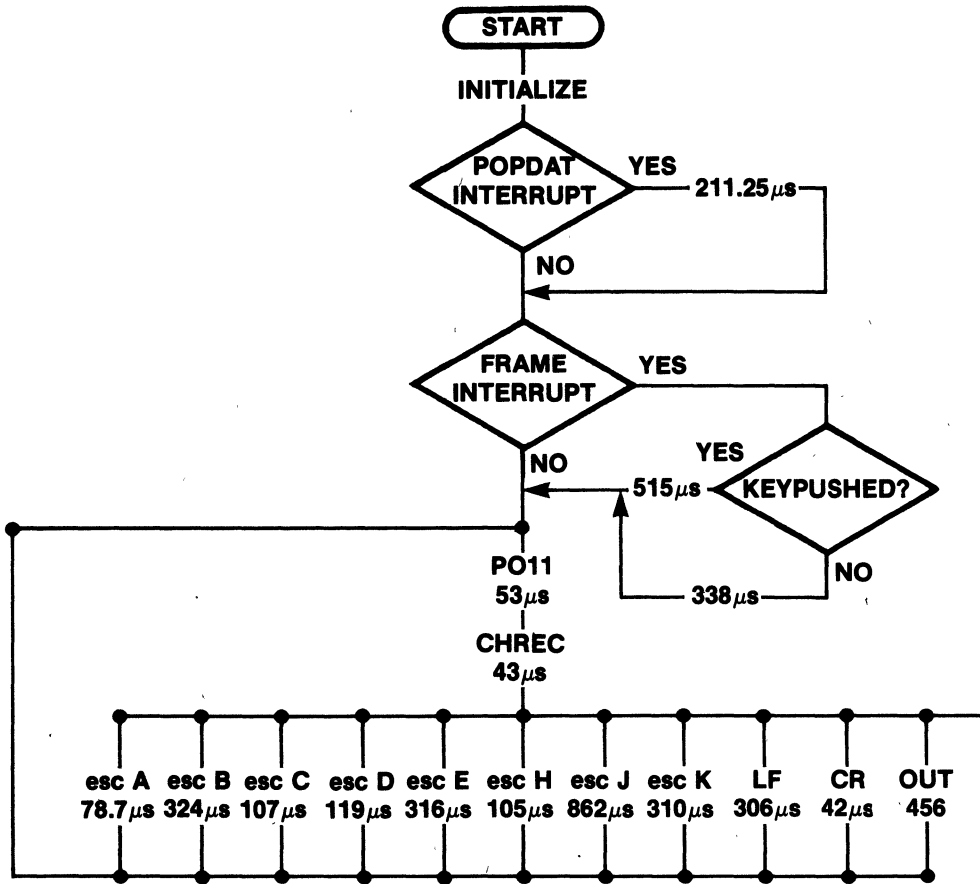
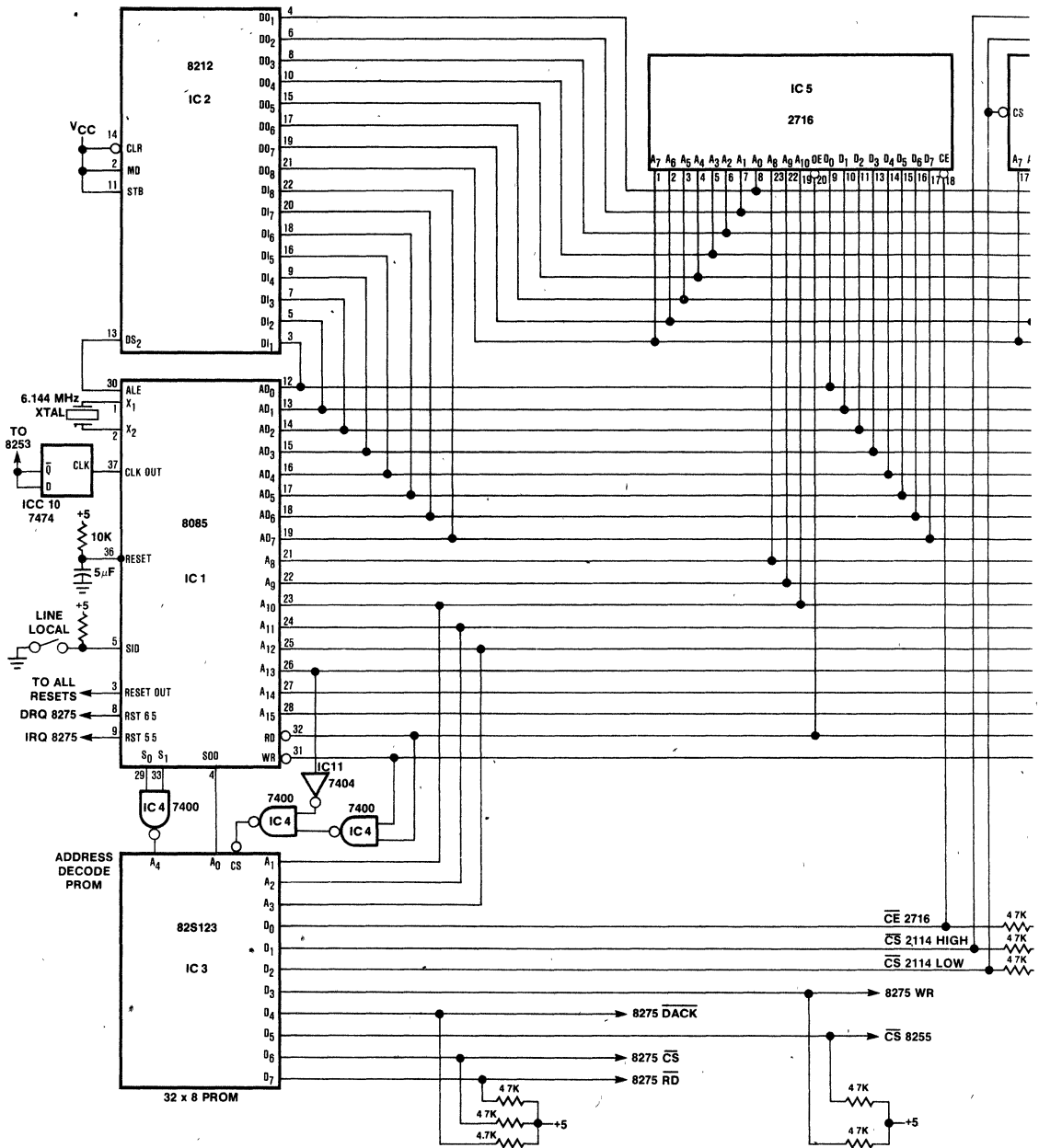
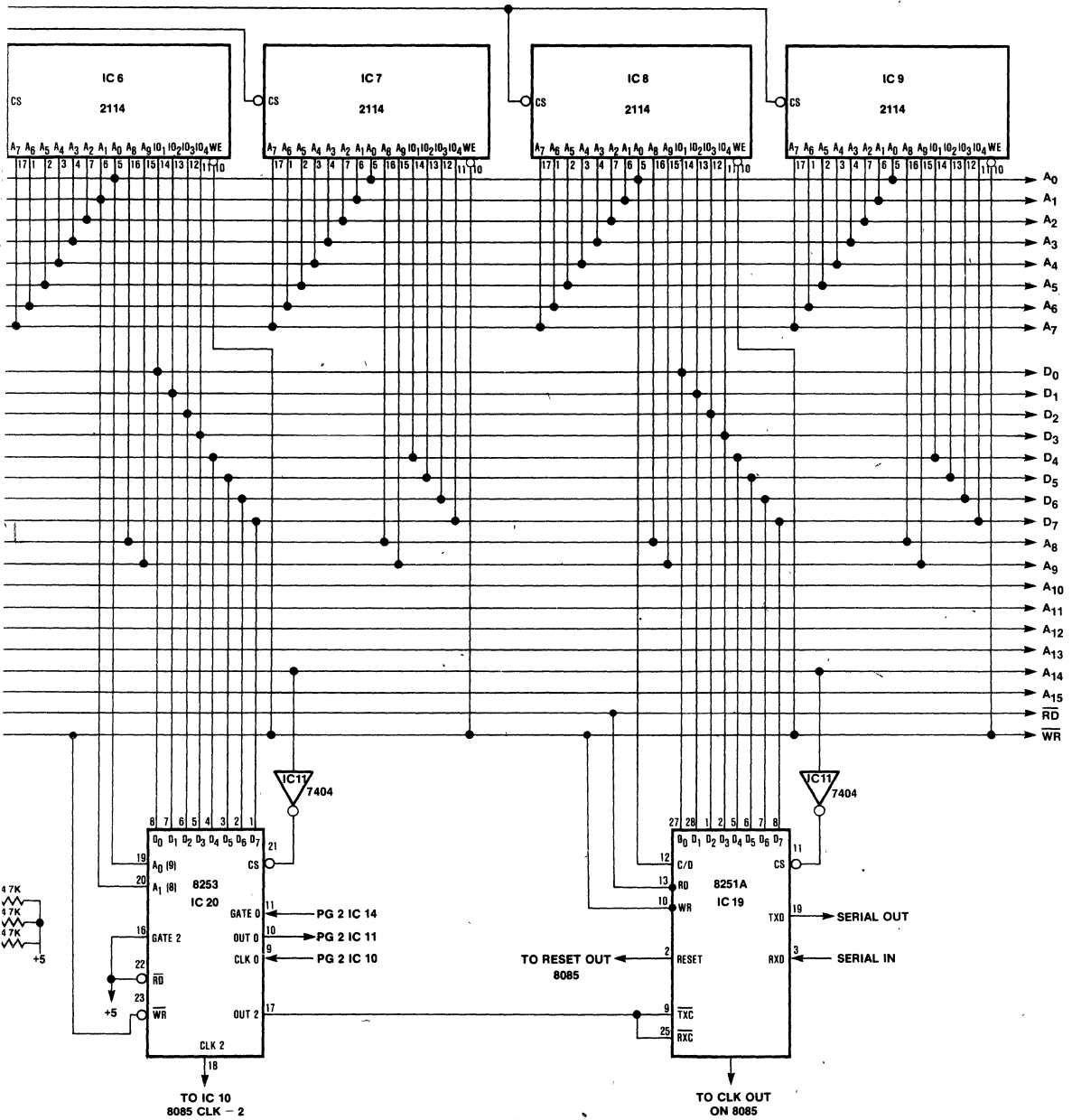


Figure 6-5. Timing Flowchart

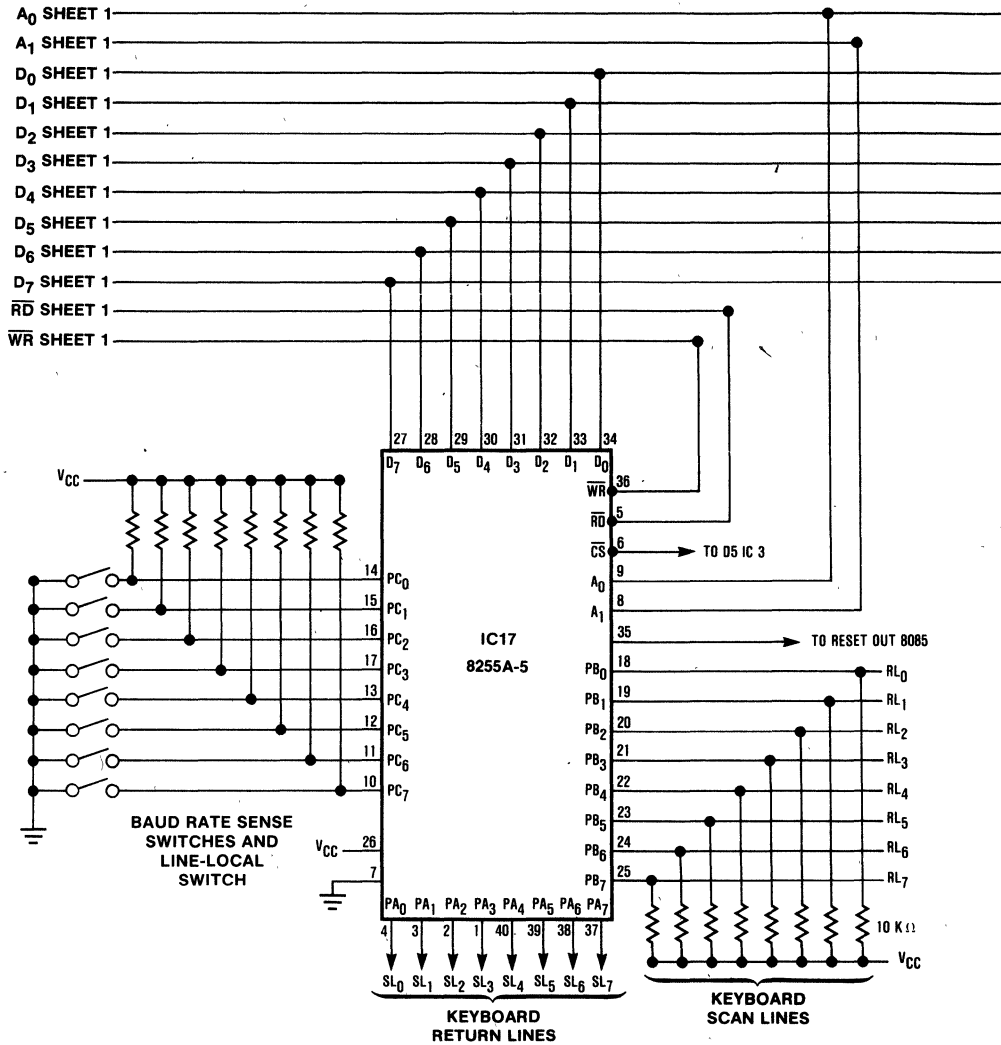


Appendix 7.1  
 CRT TERMINAL SCHEMATICS

# APPLICATIONS

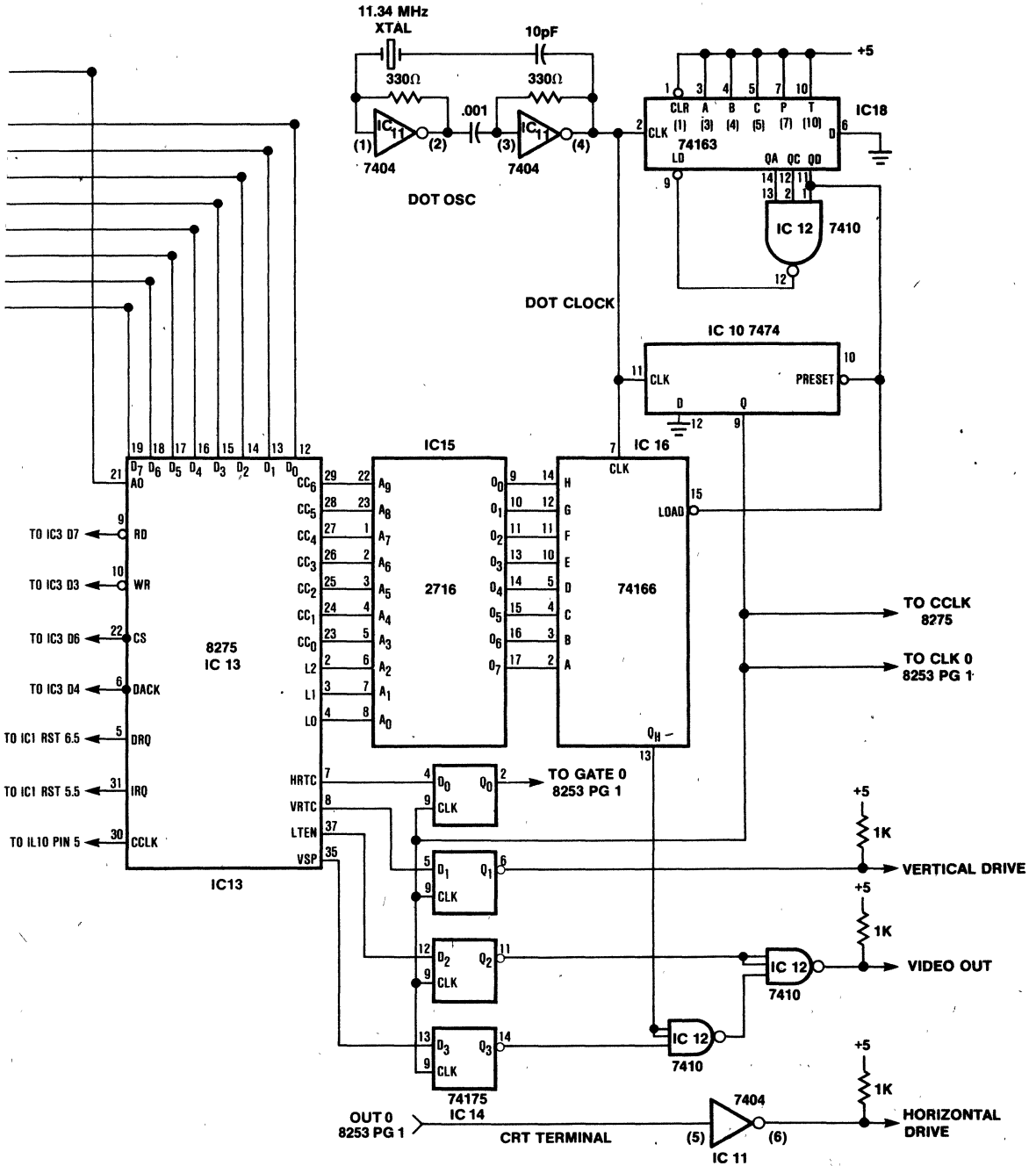


# APPLICATIONS



**Appendix 7.1**  
**CRT TERMINAL SCHEMATICS**

# APPLICATIONS



# APPLICATIONS

## Appendix 7.2 KEYBOARD INTERFACE

The keyboard used in this design was a simple unencoded ASCII keyboard. In order to keep the cost to a minimum a simple scan matrix technique was implemented by using two ports of an 8255 parallel I/O device.

When the system is initialized the contents of the eight keyboard RAM locations are set to zero. Once every frame, which is 16.67 milliseconds the contents of the keyboard ram is read and then rewritten with the contents of the current switch matrix. If a non-zero value of one of the keyboard RAM locations is found to be the same as the corresponding current switch matrix, a valid key push is registered and

action is taken. By operating the keyboard scan in this manner an automatic debounce time of 16.67 milliseconds is provided.

Figure 7.2A shows the actual physical layout of the keyboard and Figure 7.2B shows how the individual keys were encoded. On Figure 7.2B the scan lines are the numbers on the bottom of each key position and the return lines are the numbers at the top of each key position. The shift, control, and caps lock key were brought in through separate lines of port C of the 8255. Figure 7.3 shows the basic keyboard matrix.

In order to guarantee that two scan lines could not be shorted together if two or more keys are pushed simultaneously, isolation diodes could be added as shown in Figure 7.4.

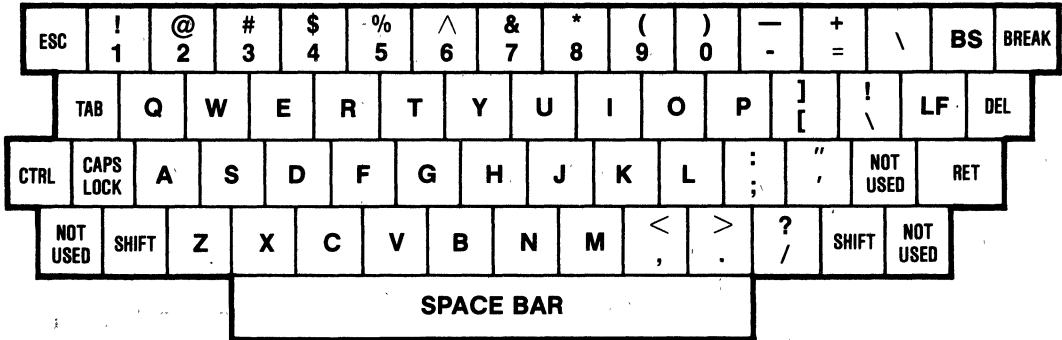
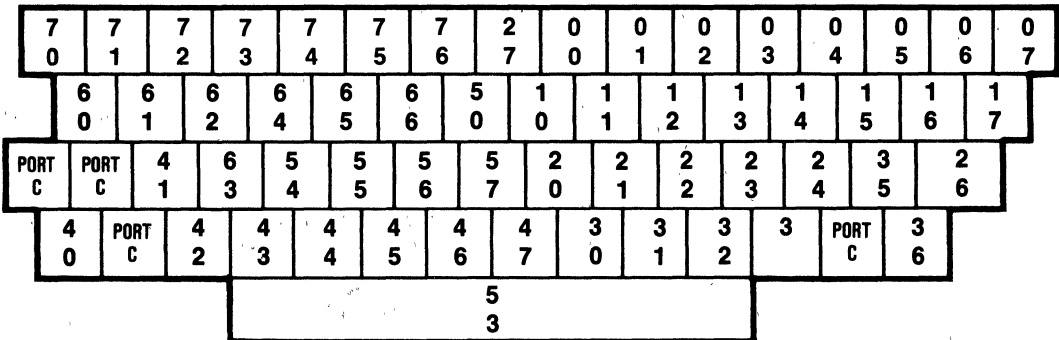


Figure 7-2A. Keyboard Layout



**TOP NUMBER = RETURN LINE**  
**BOTTOM NUMBER = SCAN LINE.**

Figure 7-2B. Keyboard Encoding



# APPLICATIONS

## Appendix 7.3 ESCAPE/CONTROL/DISPLAY CHARACTER SUMMARY

BIT	CONTROL CHARACTERS				DISPLAYABLE CHARACTER				ESCAPE SEQUENCE					
	0 <sub>0</sub> 0	0 <sub>0</sub> 1	0 <sub>1</sub> 0	0 <sub>1</sub> 1	1 <sub>0</sub> 0	1 <sub>0</sub> 1	1 <sub>1</sub> 0	1 <sub>1</sub> 1	0 <sub>1</sub> 0	0 <sub>1</sub> 1	1 <sub>0</sub> 0	1 <sub>0</sub> 1	1 <sub>1</sub> 0	1 <sub>1</sub> 1
0000	NUL <sup>®</sup>	DLE <sup>P</sup>	SP	φ	@	P		P						
0001	SOH <sup>A</sup>	DC1 <sup>Q</sup>	!	!	A	Q	A	Q			↑ A			
0010	STX <sup>B</sup>	DC2 <sup>R</sup>	"	2	B	R	B	R			↓ B			
0011	ETX <sup>C</sup>	DC3 <sup>S</sup>	#	3	C	S	C	S			→ C			
0100	EOT <sup>D</sup>	DC4 <sup>T</sup>	\$	4	D	T	D	T			← D			
0101	ENQ <sup>E</sup>	NAK <sup>U</sup>	%	5	E	U	E	U			CLR E			
0110	ACK <sup>F</sup>	SYN <sup>V</sup>	&	6	F	V	F	V						
0111	BEL <sup>G</sup>	ETB <sup>W</sup>	'	7	G	W	G	W						
1000	BS <sup>H</sup>	CAN <sup>X</sup>	(	8	H	X	H	X			HOME H			
1001	HT <sup>I</sup>	EM <sup>Y</sup>	)	9	I	Y	I	Y						
1010	LF <sup>J</sup>	SUB <sup>Z</sup>	*	.	J	Z	J	Z			EOS I			
1011	VT <sup>K</sup>	ESC	+	;	K	[	K				EL J			
1100	FF <sup>L</sup>	FS <sup>/</sup>	,	<	L	\	L							
1101	CR <sup>M</sup>	GS	-	=	M	]	M							
1110	SO <sup>N</sup>	RS <sup>^</sup>	.	>	N	^	N							
1111	S1 <sup>O</sup>	US <sup>-</sup>	/	?	O	-	O							

NOTE                      Shaded blocks = functions terminal will react to Others can be generated but are ignored up on receipt

# APPLICATIONS

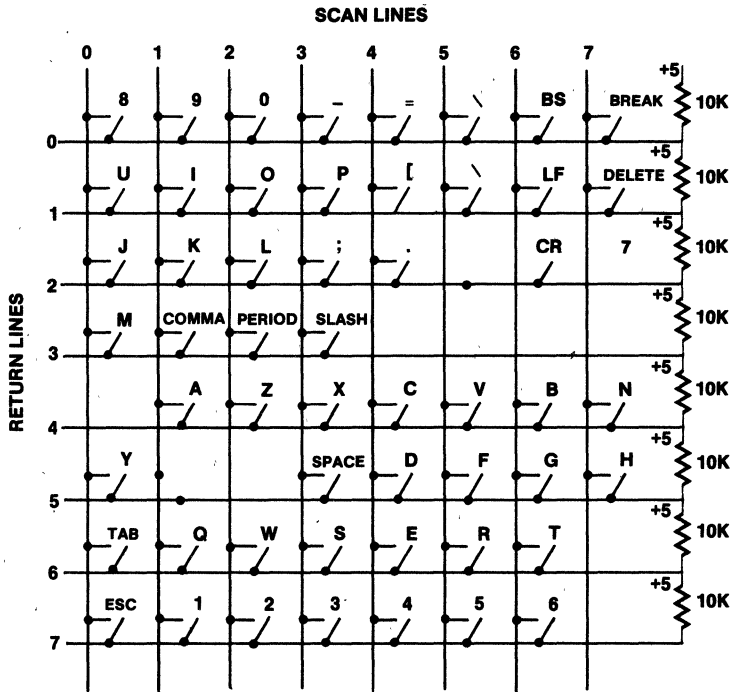


Figure 7-3. Keyboard Matrix

## Appendix 7.4 PROM DECODING

As stated earlier, all of the logic necessary to convert the 8275 into a non-DMA type of device was performed by a single small bipolar prom. Besides turning certain processor READS into DACKS and WRITES for the 8275, this 32 by 8 prom decoded addresses for the system ram, rom, as well as for the 8255 parallel I/O port.

Any bipolar prom that has a by eight configuration could function in this application. This particular device was chosen simply because it is the only "by eight" prom available in a 16 pin package. The connection of the prom is shown in detail in Figure 7.5 and its truth table is shown in Figure 7.6. Note that when a fetch cycle (M1) is not being performed, the state of the SOD line is the only thing that determines if memory reads will be written into the 8275's row buffers. This is done by pulling both DACK and WRITE low on the 8275.

Also note that all of the outputs of the bipolar prom **MUST BE PULLED HIGH** by a resistor. This prevents any unwanted assertions when the prom is disabled.

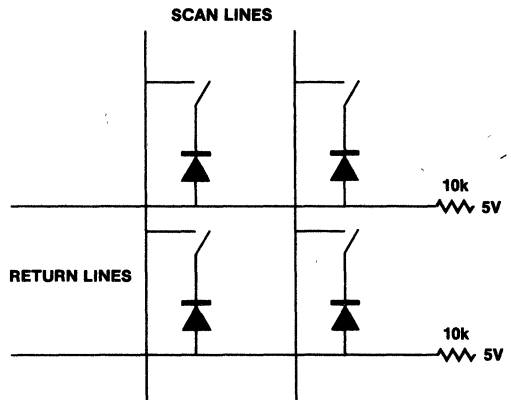


Figure 7-4. Isolating Scan Lines With Diodes

# APPLICATIONS

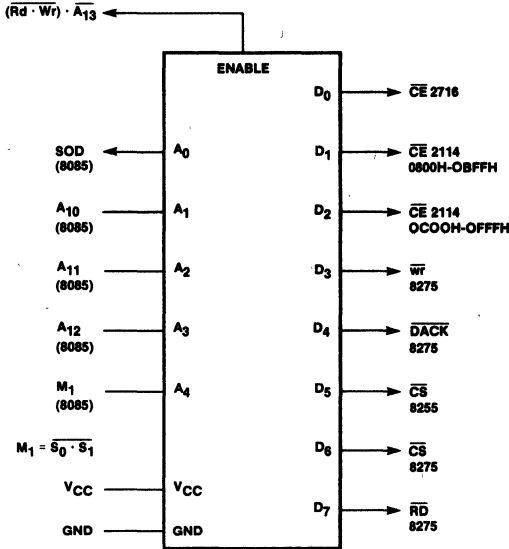


Figure 7-5. Bipolar Prom (825123) Connection

M1	A12	A11	A10	Sod	8275 Rd	8275 CS	8255 CS	8275 DACK	8275 WR	2114 H	2114 L	2716
A4	A3	A2	A1	A0	D7	D6	D5	D4	D3	D2	D1	D0
0	0*	0	0	0	1	1	1	1	1	1	1	0
0	0	0	0	1	1	1	1	1	1	1	1	0
0	0	0	1	0	1	1	1	1	1	1	1	0
0	0	0	1	1	1	1	1	1	1	1	1	0
0	0	1	0	0	1	1	1	1	1	1	0	1
0	0	1	0	1	1	1	1	1	1	1	0	1
0	0	1	1	1	1	1	1	1	1	0	1	1
0	1	0	0	0	1	0	1	1	0	1	1	1
0	1	0	0	1	0	0	1	1	1	1	1	1
0	1	0	1	1	0	0	1	1	1	1	1	1
0	1	1	0	0	1	1	0	1	1	1	1	1
0	1	1	0	1	1	1	0	1	1	1	1	1
0	1	1	1	1	1	1	0	1	1	1	1	1
1	0	0	0	0	1	1	1	1	1	1	1	0
1	0	0	0	1	1	1	0	0	1	1	1	0
1	0	0	1	0	1	1	1	1	1	1	1	0
1	0	0	1	1	1	1	0	0	1	1	1	0
1	0	1	0	0	1	1	1	1	1	1	0	1
1	0	1	0	1	1	1	1	0	0	1	0	1
1	0	1	1	1	1	1	1	1	1	0	0	1
1	1	0	0	0	1	0	1	1	0	1	1	1
1	1	0	0	1	1	0	1	1	0	1	1	1
1	1	0	1	0	0	0	1	1	1	1	1	1
1	1	0	1	1	0	0	1	1	1	1	1	1
1	1	1	0	0	1	1	0	1	1	1	1	1
1	1	1	0	1	1	0	1	1	1	1	1	1
1	1	1	1	0	1	1	0	1	1	1	1	1
1	1	1	1	1	1	0	1	1	1	1	1	1

Figure 7-6. Truth Table Bipolar Prom

## Appendix 7.5 CHARACTER GENERATOR

As previously mentioned, the character generator used in this terminal is a 2716 or 2758 EPROM. A 1K by 8 device is sufficient since a 128 character by 5 by 7 dot matrix only requires 8K of memory. Any "standard" or custom character generator could have been used.

The three low-order line count outputs (LC0-LC2) from the 8275 are connected to the three low-order address lines of the character generator and the seven character generator outputs (CC0-CC6) are connected to A3-A9 of the character generator. The output from the character generator is loaded into a shift register and the serial output from the shift register is the video output of the terminal.

Now, let's assume that the letter "E" is to be displayed. The ASCII code for "E" is 45H. So, 45H is presented to address lines A2-A9 of the character generator. The scan lines will now count each line from zero to seven to "form" the character as shown in Fig. 7.7. This same procedure is used to form all 128 possible characters.

It should be obvious that "custom" character fonts could be made just by changing the bit patterns in the character generator PROM. For reference, Appendix 7.6 contains a HEX dump of the character generator used in this terminal.

45H = 01000101  
Address to Prom = 01000101 SL2 SL1 SL0  
= 228H - 22FH

Depending on state of Scan lines.

Character generator output

Rom Address	Rom Hex	Output	Bit Output*
			0 1 2 3 4 5 6 7
228H	3E		
229H	02		
22AH	02		
22BH	0E		
22CH	02		
22DH	02		
22EH	3E		
22FH	00		

Bits 0, 6 and 7 are not used.

\* note bit output is backward from convention.

Figure 7-7. Character Generation



# APPLICATIONS

## Appendix 7.7 COMPOSITE VIDEO

In this design, it was assumed that the monitor required a separate horizontal drive, vertical drive, and video input. However, many monitors require a composite video signal. The schematic shown in Figure 7.8 illustrates how to generate a composite video signal from the output of the 8275.

The dual one-shots are used to provide a small delay and the proper horizontal and vertical pulse to the composite video monitor. The delay introduced in the vertical and horizontal timing is used to "center" the display. VR1 and VR2 control the amount of delay. IC3 is used to mix the vertical and horizontal retrace and Q1 along with the R1, R2, and R3 mix the video and the retrace signal and provide the proper DC levels.

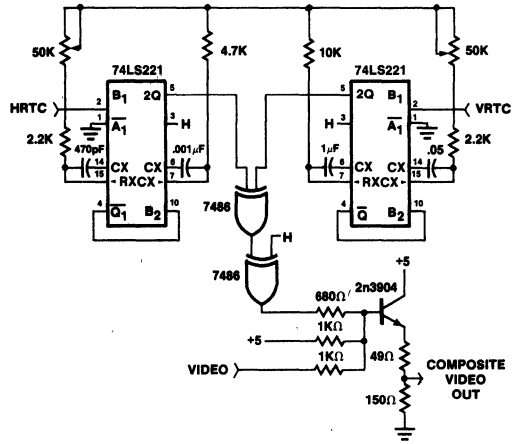


Figure 7-8. Composite Video

## Appendix 7.8 SOFTWARE LISTINGS

ISIS-II 8080/8085 MACRO ASSEMBLER, X108

LOC	OBJ	SEQ	SOURCE STATEMENT
		1	\$MOD85 MACROFILE
		2	;NO DMA 8275 SOFTWARE ALL I/O IS MEMORY MAPPED
		3	;SYSTEM ROM 0000H TO 07FFH
		4	;SYSTEM RAM 0800H TO 0FFFH
		5	;8275 WRITE 1000H TO 13FFH
		6	;8275 READ 1400H TO 17FFH
		7	;8255 READ/WRITE 1800H TO 1FFF
		8	;8253 ENABLED BY A14
		9	;8251 ENABLED BY A15
1800		10	PORTA EQU 1800H ;8255 PORT A ADDRESS
1801		11	PORTB EQU 1801H ;8255 PORT B ADDRESS
1802		12	PORTC EQU 1802H ;8255 PORT C ADDRESS
1803		13	CNWD55 EQU 1803H ;8255 CONTROL PORT ADDRESS
A001		14	USTF EQU 0A001H ;8251 FLAGS
A000		15	USTD EQU 0A000H ;8251 DATA
6000		16	CNT0 EQU 6000H ;8253 COUNTER 0
6001		17	CNT1 EQU 6001H ;8253 COUNTER 1
6002		18	CNT2 EQU 6002H ;8253 COUNTER 2
6003		19	CNTM EQU 6003H ;8253 MODE WORD
1001		20	CRTS EQU 1001H ;8275 CONTROL ADDRESS
1000		21	CRIM EQU 1000H ;8275 MODE ADDRESS
1401		22	INT75 EQU 1401H ;8275 INTERRUPT CLEAR
0800		23	TPDIS EQU 0800H ;TOP OF DISPLAY RAM
0F80		24	BTDIS EQU 0F80H ;BOTTOM OF DISPLAY RAM
0FD0		25	LAST EQU 0FD0H ;FIRST BYTE AFTER DISPLAY
0018		26	CURBOT EQU 18H ;BOTTOM Y CURSOR
0050		27	LNPTH EQU 0050H ;LENGTH OF ONE LINE
0FE0		28	STPTR EQU 0FE0H ;LOCATION OF STACK POINTER
		29	
		30	;START PROGRAM
		31	;ALL VARIABLES ARE INITIALIZED BEFORE ANYTHING ELSE
		32	
0000	F3	33	DI ;DISABLE INTERRUPTS
0001	31E00F	34	LXI SP,STPTR ;LOAD STACK POINTER
0004	210008	35	H,TPDIS ;LOAD H&L WITH TOP OF DISPLAY
0007	22E30F	36	SHLD TOPAD ;SET TOP = TOP OF DISPLAY
000A	22E80F	37	SHLD CURAD ;STORE THE CURRENT ADDRESS
000D	3E00	38	MVI A,00H ;ZERO A
000F	32E10F	39	STA CURSY ;ZERO CURSOR Y POINTER
0012	32E20F	40	STA CURSX ;ZERO CURSOR X POINTER
0015	32E50F	41	STA KBCFR ;ZERO KBD CHARACTER
0018	32E70F	42	STA USCHR ;ZERO USART CHAR BUFFER
001B	32EA0F	43	STA KEYDWN ;ZERO KEY DOWN

# APPLICATIONS

```

001E 32ED0F      44      STA      KEYOK      ;ZERO KEYOK
0021 32EE0F      45      STA      ESCP       ;ZERO ESCAPE
0024 C39800      46      JMP       LFKBD     ;JUMP AND SET EVERYTHING UP
;
47
48      ; THIS JUMP VECTOR IS LOCATED AT THE RST 5.5 LOCATION
49      ; OF THE 8085. IT IS USED TO READ THE 8275 STATUS AND
50      ; READ THE KEYBOARD. THIS ROUTINE IS EXECUTED ONCE EVERY
51      ; 16.677 MILLISECONDS.
52
002C          53      ORG       002CH
002C C36701     54      JMP       FRAME
;
55
; THIS ROUTINE IS LOCATED AT THE RST 6.5 LOCATION OF THE
56      ; 8085 AND IS USED TO LOAD THE DATA TO BE DISPLAYED INTO
57      ; THE 8275. THIS ROUTINE IS EXECUTED ONCE EVERY 617 MICROSECONDS.
58
0034          59      ORG       34H
0034 F5         60      POPDAT: PUSH   PSW       ;SAVE A AND FLAGS
0035 E5         61      PUSH   H        ;SAVE H AND L
0036 D5         62      PUSH   D        ;SAVE D AND E
0037 210000     63      LXI    H,0000H   ;ZERO H AND L
003A 39         64      DAD    SP        ;PUT STACK POINTER IN H AND L
003B EB         65      XCHG          ;PUT STACK IN D AND E
003C 2AE80F     66      LHL    CURAD     ;GET POINTER
003F F9         67      SPHL          ;PUT CURRENT LINE INTO SP
0040 3EC0       68      MVI    A,0C0H   ;SET MASK FOR SIM
0042 30         69      SIM
;
70      REPT (LNTH/2)
71      POP   H
72      ENDM
;
0043 E1         73      POP   H
0044 E1         74+     POP   H
0045 E1         75+     POP   H
0046 E1         76+     POP   H
0047 E1         77+     POP   H
0048 E1         78+     POP   H
0049 E1         79+     POP   H
004A E1         80+     POP   H
004B E1         81+     POP   H
004C E1         82+     POP   H
004D E1         83+     POP   H
004E E1         84+     POP   H
004F E1         85+     POP   H
0050 E1         86+     POP   H
0051 E1         87+     POP   H
0052 E1         88+     POP   H
0053 E1         89+     POP   H
0054 E1         90+     POP   H
0055 E1         91+     POP   H
0056 E1         92+     POP   H
0057 E1         93+     POP   H
0058 E1         94+     POP   H
0059 E1         95+     POP   H
005A E1         96+     POP   H
005B E1         97+     POP   H
005C E1         98+     POP   H
005D E1         99+     POP   H
005E E1        100+    POP   H
005F E1        101+    POP   H
0060 E1        102+    POP   H
0061 E1        103+    POP   H
0062 E1        104+    POP   H
0063 E1        105+    POP   H
0064 E1        106+    POP   H
0065 E1        107+    POP   H
0066 E1        108+    POP   H
0067 E1        109+    POP   H
0068 E1        110+    POP   H
0069 E1        111+    POP   H
006A E1        112+    POP   H
006B E1        113+    POP   H
006C 0F        114      RRC
;SET UP A
006C 30        115      SIM
;GO BACK TO NORMAL MODE
006D 210000    116      LXI    H,0000H   ;ZERO HL
0070 39        117      DAD    SP        ;ADD STACK
0071 EB        118      XCHG          ;PUT STACK IN H AND L
0072 F9        119      SPHL          ;RESTORE STACK
0073 21D00F    120      LXI    H, LAST   ;PUT BOTTOM DISPLAY IN H AND L
0076 EB        121      XCHG          ;SWAP REGISTERS
0077 7A        122      MOV    A,D       ;PUT HIGH ORDER IN A
0078 BC        123      CMP    H        ;SEE IF SAME AS H
0079 C28400    124      JNZ   KPTK     ;IF NOT LEAVE
007C 7B        125      MOV    A,E       ;PUT LOW ORDER IN A
007D BD        126      CMP    L        ;SEE IF SAME AS L
007E C28400    127      JNZ   KPTK     ;IF NOT LEAVE
0081 210000    128      LXI    H,TPDIS  ;LOAD H AND L WITH TOP OF SCREEN MEMORY
0084 22E80F    129      KPTK: SHLD  CURAD ;PUT BACK CURRENT ADDRESS
0087 3E18      130      MVI    A,18H   ;SET MASK
0089 30        131      SIM
;OUTPUT MASK

```

# APPLICATIONS

```

008A D1      132      POP      D          ;GET D AND E
008B E1      133      POP      H          ;GET H AND L
008C F1      134      POP      PSW       ;GET A AND FLAGS
008D FB      135      EI          ;TURN ON INTERRUPTS
008E C9      136      RET         ;GO BACK
;
;
137          ;
138          ; THIS IS THE EXIT ROUTINE FOR THE FRAME INTERRUPT
139          ;
008F 3E18    140      BYPASS: MVI     A,18H      ;SET MASK
0091 30      141      SIM         ;OUTPUT THE MASK
0092 C1      142      POP      B          ;GET B AND C
0093 D1      143      POP      D          ;GET D AND E
0094 E1      144      POP      H          ;GET H AND L
0095 F1      145      POP      PSW       ;GET A AND FLAGS
0096 FB      146      EI          ;ENABLE INTERRUPTS
0097 C9      147      RET         ;GO BACK
;
;
148          ;
149          ; THIS CLEARS THE AREA OF RAM THAT IS USED
150          ; FOR KEYBOARD DEBOUNCE.
151          ;
0098 32EF0F  152      LPKBD: STA     SHCON    ;ZERO SHIFT CONTROL
009B 32F00F  153      STA     RETLIN   ;ZERO RETURN LINE
009E 32F10F  154      STA     SCNLIN   ;ZERO SCAN LINE
;
;
155          ;
156          ; THIS ROUTINE CLEARS THE ENTIRE SCREEN BY PUTTING
157          ; SPACE CODES (20H) IN EVERY LOCATION ON THE SCREEN.
158          ;
00A1 210008  159      LXI     H,TPDIS   ;PUT TOP OF SCREEN IN HL
00A4 01D00F  160      LXI     B,LAST    ;PUT BOTTOM IN BC
00A7 3620    161      MVI     M,20H    ;PUT SPACE IN M
00A9 23      162      INX     H          ;INCREMENT POINTER
00AA 7C      163      MOV     A,H        ;GET H
00AB B8      164      CMP     B          ;SEE IF SAME AS B
00AC C2A700  165      JNZ     LOOPF    ;IF NOT LOOP AGAIN
00AF 7D      166      MOV     A,L        ;GET L
00B0 B9      167      CMP     C          ;SEE IF SAME AS C
00B1 C2A700  168      JNZ     LOOPF    ;IF NOT LOOP AGAIN
;
;
169          ;
170          ; 8255 INITIALIZATION
171          ;
00B4 3E8B    172      MVI     A,8BH      ;MOVE 8255 CONTROL WORD INTO A
00B6 320318  173      STA     CNWD55    ;PUT CONTROL WORD INTO 8255
;
;
174          ;
175          ; 8251 INITIALIZATION
176          ;
00B9 210A00  177      LXI     H,USTF    ;GET 8251 FLAG ADDRESS
00BC 3680    178      MVI     M,80H      ;DUMMY STORE TO 8251
00BE 3600    179      MVI     M,00H      ;RESET 8251
00C0 3640    180      MVI     M,40H      ;RESET 8251
00C2 00      181      NOP                    ;WAIT
00C3 36EA    182      MVI     M,0EAH    ;LOAD 8251 MODE WORD
00C5 3605    183      MVI     M,05H      ;LOAD 8251 COMMAND WORD
;
;
184          ;
185          ; 8253 INITIALIZATION
186          ;
00C7 3E32    187      MVI     A,32H      ;CONTROL WORD FOR 8253
00C9 320360  188      STA     CNM        ;PUT CONTROL WORD INTO 8253
00CC 3E32    189      MVI     A,32H      ;LSB 8253
00CE 320060  190      STA     CNT0       ;PUT IT IN 8235
00D1 3E00    191      MVI     A,00H      ;MSB 8253
00D3 320060  192      STA     CNT0       ;PUT IT IN 8253
00D6 CDDC00  193      CALL    STBAUD    ;GO DO BAUD RATE
00D9 C3F900  194      JMP     IN75       ;GO DO 8275
;
;
195          ;
196          ; THIS ROUTINE READS THE BAUD RATE SWITCHES FROM PORT C
197          ; OF THE 8255 AND LOOKS UP THE NUMBERS NEEDED TO LOAD
198          ; THE 8253 TO PROVIDE THE PROPER BAUD RATE.
199          ;
00DC 3A0218  200      STBAUD: LDA     PORTC   ;READ BAUD RATE SWITCHES
00DF E60F    201      ANI     0FH        ;STRIP OFF 4 MSB'S
00E1 32EC0F  202      STA     BAUD      ;SAVE IT
00E4 07      203      RLC          ;MOVE BITS OVER ONE PLACE
00E5 21C505  204      LXI     H,BDLK   ;GET BAUD RATE LOOK UP TABLE
00E8 1600    205      MVI     D,00H      ;ZERO D
00EA 5F      206      MOV     E,A          ;PUT A IN E
00EB 19      207      DAD     D          ;GET OFFSET
00EC 110360  208      LXI     D,CNTM    ;POINT DE TO 8253
00EF 3EB6    209      MVI     A,0B6H    ;GET CONTROL WORD
00F1 12      210      STAX    D          ;STORE IN 8253
00F2 1B      211      DCX     D          ;POINT AT #2 COUNTER
00F3 7E      212      MOV     A,M        ;GET LSB BAUD RATE
00F4 12      213      STAX    D          ;PUT IT IN 8253
00F5 23      214      INX     H          ;POINT AT MSB BAUD RATE
00F6 7E      215      MOV     A,M        ;GET MSB BAUD RATE
00F7 12      216      STAX    D          ;PUT IT IN 8253
00F8 C9      217      RET         ;GO BACK
;
;
218          ;

```

# APPLICATIONS

```

219 ;8275 INITIALIZATION
220
00F9 210110 221 IN75: LXI H,CRTS
00FC 3600 222 MVI M,00H ;RESET AND STOP DISPLAY
00FE 2B 223 DCX H ;HL=1000H
00FF 364F 224 MVI M,4FH ;SCREEN PARAMETER BYTE 1
0101 3658 225 MVI M,58H ;SCREEN PARAMETER BYTE 2
0103 3689 226 MVI M,89H ;SCREEN PARAMETER BYTE 3
0105 36DD 227 MVI M,0DDH ;SCREEN PARAMETER BYTE 4
0107 23 228 INX H ;HL=1001H
0108 CD8003 229 CALL LDCUR ;LOAD THE CURSOR
010B 36E0 230 MVI M,0E0H ;PRESET COUNTERS
010D 3623 231 MVI M,23H ;START DISPLAY
232 ;
233 ;THIS ROUTINE READS BOTH THE KEYBOARD AND THE USART
234 ;AND TAKES PROPER ACTION DEPENDING ON HOW THE LINE-LOCAL
235 ;SWITCH IS SET
236
010F 3E18 237 SETUP: MVI A,18H ;SET MASK
0111 30 238 SIM ;LOAD MASK
0112 FB 239 EI ;ENABLE INTERRUPTS
240
241 ;
242 ;READ THE USART
243
0113 20 243 RXRDY: RIM ;GET LINE LOCAL
0114 E680 244 ANI 80H ;IS IT ON OR OFF?
0116 C22101 245 JNZ KEYINP ;LEAVE IF IT IS ON
0119 3A01A0 246 LDA USTF ;READ 8251 FLAGS
011C E602 247 ANI 02H ;LOOK AT RXRDY
011E C25C01 248 JNZ KEYDWN ;IF HAVE CHARACTER GO TO WORK
0121 3AE0F 249 KEYINP: LDA KEYDWN ;GET KEYBOARD CHARACTER
0124 E680 250 ANI 80H ;IS IT THERE
0126 C23101 251 JNZ KEYS ;IF KEY IS PUSHED LEAVE
0129 3E00 252 MVI A,00H ;ZERO A
012B 32ED0F 253 STA KEYOK ;CLEAR KEYOK
012E C31301 254 JMP RXRDY ;LOOP AGAIN
0131 3AED0F 255 KEYS: LDA KEYOK ;WAS KEY DOWN
0134 4F 256 MOV C,A ;SAVE A IN C
0135 3AE0F 257 LDA KBCHR ;GET KEYBOARD CHARACTER
0138 B9 258 CMP C ;IS IT THE SAME AS KEYOK
0139 CA1301 259 JZ RXRDY ;IF SAME LOOP AGAIN
013C 32ED0F 260 STA KEYOK ;IF NOT SAVE IT
013F 32E70F 261 STA USCHR ;SAVE IT
0142 20 262 RIM ;GET LINE LOCAL
0143 E680 263 ANI 80H ;WHICH WAY
0145 CA4B01 264 JZ TRANS ;LEAVE IF LINE
0148 C34E02 265 JMP CHREC ;TIME TO DO SOME WORK
014B 3A01A0 266 TRANS: LDA USTF ;GET USART FLAGS
014E E601 267 ANI 01H ;READY TO TRANSMIT?
0150 CA4B01 268 JZ TRANS ;LOOP IF NOT READY
0153 3AE70F 269 LDA USCHR ;GET CHARACTER
0156 3200A0 270 STA USTD ;PUT IN USART
0159 C30F01 271 JMP SETUP ;LEAVE
015C 3A00A0 272 OK7: LDA USTD ;READ USART
015F E67F 273 ANI 07FH ;STRIP MSB
0161 32E70F 274 STA USCHR ;PUT IT IN MEMORY
0164 C34E02 275 JMP CHREC ;LEAVE
276 ;
277 ;THIS ROUTINE CHECKS THE BAUD RATE SWITCHES, RESETS THE
278 ;SCREEN POINTERS AND READS AND LOOKS UP THE KEYBOARD.
279 ;
0167 F5 280 FRAME: PUSH PSW ;SAVE A AND FLAGS
0168 E5 281 PUSH H ;SAVE H AND L
0169 D5 282 PUSH D ;SAVE D AND E
016A C5 283 PUSH B ;SAVE B AND C
016B 3A0114 284 LDA INT75 ;READ 8275 TO CLEAR INTERRUPT
285 ;
286 ;SET UP THE POINTERS
287 ;
016E 2AE30F 288 LHLD TOPAD ;LOAD TOP IN H AND L
0171 22E80F 289 SHLD CURAD ;STORE TOP IN CURRENT ADDRESS
290 ;
291 ;SET UP BAUD RATE
292 ;
0174 3A0218 293 LDA PORTC ;READ BAUD RATE SWITCHES
0177 E60F 294 ANI 0FH ;STRIP OFF 4 MSB'S
0179 47 295 MOV B,A ;SAVE IN B
017A 3AEC0F 296 LDA BAUD ;GET BAUD RATE
017D B8 297 CMP B ;SEE IF SAME AS B
017E C4DC00 298 CNZ STBAUD ;IF NOT SAME DO SOMETHING
299 ;
300 ;READ KEYBOARD
301 ;
0181 3AE0F 302 LDA KEYDWN ;SEE IF A KEY IS DOWN
0184 E640 303 ANI 40H ;SET THE FLAGS
0186 C2C201 304 JNZ KYDWN ;IF KEY IS DOWN JUMP AROUND
0189 CD8F01 305 CALL RDKB ;GO READ THE KEYBOARD
018C C38F00 306 JMP BYPASS ;LEAVE

```



# APPLICATIONS

```

018F 21EF0F      307 RDKB: LXI      H,SHCON      ;POINT HL AT KEYBOARD RAM
0192 3A0218      308 LDA      PORTC      ;GET CONTROL AND SHIFT
0195 77           309 MOV      M,A        ;SAVE IN MEMORY
0196 3EFE        310 MVI      A,0FEH    ;SET UP A
0198 320018      311 LOOPK: STA     PORTA      ;OUTPUT A
019B 47          312 MOV      B,A        ;SAVE A IN B
019C 3A0118      313 LDA      PORTB      ;READ KEYBOARD
019F 2F          314 CMA      ;INVERT A
01A0 B7          315 ORA      A          ;SET THE FLAGS
01A1 C2AF01      316 JNZ      SAVKEY     ;LEAVE IF KEY IS DOWN
01A4 78          317 MOV      A,B        ;GET SCAN LINE BACK
01A5 07          318 RLC      ;ROTATE IT OVER ONE
01A6 DA9801      319 JC       LOOPK      ;DO IT AGAIN
01A9 3E00        320 MVI      A,00H     ;ZERO A
01AB 32EA0F      321 STA     KEYDWN     ;SAVE KEY DOWN
01AE C9          322 RET      ;LEAVE
01AF 23          323 SAVKEY: INX     H      ;POINT AT RETURN LINE
01B0 2F          324 CMA      ;PUT A BACK
01B1 77          325 MOV      M,A        ;SAVE RETURN LINE IN MEMORY
01B2 23          326 INX     H          ;POINT H AT SCAN LINE
01B3 70          327 MOV      M,B        ;SAVE SCAN LINE IN MEMORY
01B4 3E40        328 MVI      A,40H     ;SET A
01B6 32EA0F      329 STA     KEYDWN     ;SAVE KEY DOWN
01B9 C9          330 RET      ;LEAVE
01BA 3E00        331 KYCHNG: MVI     A,00H   ;ZERO 0
01BC 32EA0F      332 STA     KEYDWN     ;RESET KEY DOWN
01BF C38F00      333 JMP     BYPASS     ;LEAVE
01C2 21F10F      334 KYDOWN: LXI     H,SCNLIN ;GET SCAN LINE
01C5 7E          335 MOV      A,M        ;PUT SCAN LINE IN A
01C6 320018      336 STA     PORTA      ;OUTPUT SCAN LINE TO PORT A
01C9 2B          337 DCX     H          ;POINT AT RETURN LINE
01CA 3A0118      338 LDA      PORTB      ;GET RETURN LINES
01CD B6          339 ORA      M          ;ARE THEY THE SAME?
01CE 2F          340 CMA      ;INVERT A
01CF B7          341 ORA      A          ;SET FLAGS
01D0 CABA01      342 JZ       KYCHNG    ;IF DIFFERENT KEY HAS CHANGED
01D3 3AEA0F      343 LDA      KEYDWN    ;GET KEY DOWN
01D6 E601        344 ANI     01H        ;HAS THIS BEEN DONE BEFORE?
01D8 C28E00      345 JNZ      BYPASS    ;LEAVE IF IT HAS
01DB 3A0118      346 LDA      PORTB      ;GET RETURN LINE
01DE 06FF        347 MVI      B,0FFH    ;GET READY TO ZERO B
01E0 04          348 UP:     INR      B      ;ZERO B
01E1 0E          349 RRC      ;ROTATE A
01E2 DAE001      350 JC       ;DO IT AGAIN
01E5 23          351 INX     H          ;POINT H AT SCAN LINES
01E6 7E          352 MOV      A,M        ;GET SCAN LINES
01E7 0EFF        353 MVI      C,0FFH    ;GET READY TO LOOP
01E9 0C          354 UP1:   INR      C      ;START C COUNTING
01EA 0F          355 RRC      ;ROTATE A
01EB DAE901      356 JC       ;JUMP TO LOOP
01EE 78          357 MOV      A,B        ;GET RETURN LINES
01EF 07          358 RLC      ;MOVE OVER ONCE
01F0 07          359 RLC      ;MOVE OVER TWICE
01F1 07          360 RLC      ;MOVE OVER THREE TIMES
01F2 B1          361 ORA      C          ;OR SCAN AND RETURN LINES
01F3 47          362 MOV      B,A        ;SAVE A IN B
01F4 3A0218      363 LDA      PORTC      ;GET SHIFT CONTROL
01F7 E640        364 ANI     40H        ;IS CONTROL SET
01F9 4F          365 MOV      C,A        ;SAVE A IN C
01FA 3AEF0F      366 LDA      SHCON     ;GET SHIFT CONTROL
01FD 57          367 MOV      D,A        ;SAVE A IN D
01FE E640        368 ANI     40H        ;STRIP CONTROL
0200 B1          369 ORA      C          ;SET BIT
0201 CA3E02      370 JZ       ;IF SET LEAVE
0204 3A0218      371 LDA      PORTC      ;READ IT AGAIN,
0207 E620        372 ANI     20H        ;STRIP SHIFT
0209 4F          373 MOV      C,A        ;SAVE A
020A 7A          374 MOV      A,D        ;GET SHIFT CONTROL
020B E620        375 ANI     20H        ;STRIP CONTROL
020D B1          376 ORA      C          ;ARE THEY THE SAME?
020E CA4702      377 JZ       ;IF SET LEAVE
0211 58          378 SCR:   MOV      E,B      ;PUT TARGET IN E
0212 1600        379 MVI      D,00H     ;ZERO D
0214 210705      380 LXI     H,KYLKUP   ;GET LOOKUP TABLE
0217 19          381 DAD     D          ;GET OFFSET
0218 7E          382 MOV      A,M        ;GET CHARACTER
0219 47          383 MOV      B,A        ;PUT CHARACTER IN B
021A 3A0218      384 LDA      PORTC      ;GET PORTC
021D E610        385 ANI     10H        ;STRIP BIT
021F CA2E02      386 JZ       ;CAPS LOCK
0222 78          387 MOV      A,B        ;GET A BACK
0223 32EB0F      388 STA     KEYDWN     ;SAVE CHARACTER
0226 3EC1        389 MVI      A,0C1H    ;SET A
0228 32EA0F      390 STA     KEYDWN     ;SAVE KEY DOWN
022B C38F00      391 JMP     BYPASS     ;LEAVE
392 ;
393 ; IF THE CAP LOCK BUTTON IS PUSHED THIS ROUTINE SEES IF
394 ; THE CHARACTER IS BETWEEN 61H AND 7AH AND IF IT IS THIS

```

# APPLICATIONS

```

395 ;ROUTINE ASSUMES THAT THE CHARACTER IS LOWER CASE ASCII
396 ;AND SUBTRACTS 20H, WHICH CONVERTS THE CHARACTER TO
397 ;UPPER CASE ASCII
398 ;
022E 78 399 CAPLOC: MOV A,B ;GET A BACK
022F FE60 400 CPI 60H ;HOW BIG IS IT?
0231 DA2302 401 JC STKEY ;LEAVE IF IT'S TOO SMALL
0234 FE7B 402 CPI 7BH ;IS IT TOO BIG
0236 D22302 403 JNC STKEY ;LEAVE IF TOO BIG
0239 D620 404 SUI 20H ;ADJUST A
023B C32302 405 JMP STKEY ;STORE THE KEY
406 ;
407 ;THE ROUTINES SHDWN AND CNTDWN SET BIT 6 AND 7 RESPECTIVLY
408 ;IN THE ACC.
409 ;
023E 3E80 410 CNTDWN: MVI A,80H ;SET BIT 7 IN A
0240 B0 411 ORA B ;OR WITH CHARACTER
0241 E6BF 412 ANI 0BFH ;MAKE SURE SHIFT IS NOT SET
0243 47 413 MOV B,A ;PUT IT BACK IN B
0244 C31102 414 JMP SCR ;GO BACK
0247 3E40 415 SHDWN: MVI A,40H ;SET BIT 6 IN A
0249 B0 416 ORA B ;OR WITH CHARACTER
024A 47 417 MOV B,A ;PUT IT BACK IN B
024B C31102 418 JMP SCR ;GO BACK
419 ;
420 ;THIS ROUTINE CHECKS FOR ESCAPE CHARACTERS, LF, CR,
421 ;FF, AND BACK SPACE
422 ;
024E 3AE0F 423 CHREC: LDA ESCP ;ESCAPE SET?
0251 FE80 424 CPI 80H ;SEE IF IT IS
0253 CA7B02 425 JZ ESSQ ;LEAVE IF IT IS
0256 3AE70F 426 LDA USCHR ;GET CHARACTER
0259 FE0A 427 CPI 0AH ;LINE FEED
025B CAF603 428 JZ LNFD ;C) TO LINE FEED
025E FE0C 429 CPI 0FH ;FORM FEED
0260 CACA03 430 JZ FMF0 ;GO TO FORM FEED
0263 FE0D 431 CPI 0DH ;CR
0265 CAAD03 432 JZ CGRT ;DO A CR
0268 FE08 433 CPI 08H ;BACK SPACE
026A CA6E03 434 JZ LEFT ;DO A BACK SPACE
026D FE1B 435 CPI 1BH ;ESCAPE
026F CAAS03 436 JZ ESKAP ;DO AN ESCAPE
0272 B7 437 ORA A ;CLEAR CARRY
0273 C6E0 438 ADI 0E0H ;SEE IF CHARACTER IS PRINTABLE
0275 DA7704 439 JC CHRPUT ;IF PRINTABLE DO IT
0278 C30F01 440 JMP SETUP ;GO BACK AND READ USART AGAIN
441 ;
442 ;THIS ROUTINE RESETS THE ESCAPE LOCATION AND DECODES
443 ;THE CHARACTERS FOLLOWING AN ESCAPE. THE COMMANDS ARE
444 ;COMPATABLE WITH INTELS CREDIT TEXT EDITOR
445 ;
027B 3E00 446 ESSQ: MVI A,00H ;ZERO A
027D 32EE0F 447 STA ESCP ;RESET ESCP
0280 3AE70F 448 LDA USCHR ;GET CHARACTER
0283 FE42 449 CPI 42H ;DOWN
0285 CAAE02 450 JZ DOWN ;MOVE CURSOR DOWN
0288 FE45 451 CPI 45H ;CLEAR SCREEN CHARACTER
028A CACF02 452 JZ CLEAR ;CLEAR THE SCREEN
028D FE4A 453 CPI 4AH ;CLEAR REST OF SCREEN
028F CAD502 454 JZ CLRST ;GO CLEAR THE REST OF THE SCREEN
0292 FE4B 455 CPI 4BH ;CLEAR LINE CHARACTER
0294 CA2703 456 JZ CLRLIN ;GO CLEAR A LINE
0297 FE41 457 CPI 41H ;CURSOR UP CHARACTER
0299 CA3303 458 JZ UPCUR ;MOVE CURSOR UP
029C FE43 459 CPI 43H ;CURSOR RIGHT CHARACTER
029E CA4503 460 JZ RIGHT ;MOVE CURSOR TO THE RIGHT
02A1 FE44 461 CPI 44H ;CURSOR LEFT CHARACTER
02A3 CA6E03 462 JZ LEFT ;MOVE CURSOR TO THE LEFT
02A6 FE48 463 CPI 48H ;HOME CURSOR CHARACTER
02A8 CA9703 464 JZ HOME ;HOME THE CURSOR
02AB C30F01 465 JMP SETUP ;LEAVE
466 ;
467 ;THIS ROUTINE MOVES THE CURSOR DOWN ONE CHARACTER LINE
468 ;
02AE 3AE10F 469 DOWN: LDA CURSY ;PUT CURSOR Y IN A
02B1 FE18 470 CPI CURBOT ;SEE IF ON BOTTOM OF SCREEN
02B3 CA0F01 471 JZ SETUP ;LEAVE IF ON BOTTOM
02B6 3C 472 INR A ;INCREMENT Y CURSOR
02B7 32E10F 473 STA CURSY ;SAVE NEW CURSOR
02BA CDB003 474 CALL LDCUR ;LOAD THE CURSOR
02BD CDA504 475 CALL CALCU ;CALCULATE ADDRESS
02C0 7E 476 MOV A,M ;GET FIRST LOCATION OF THE LINE
02C1 FE80 477 CPI 0F0H ;SEE IF CLEAR SCREEN CHARACTER
02C3 C20F01 478 JNZ SETUP ;LEAVE IF IT IS NOT
02C6 22E50F 479 SHLD LOC80 ;SAVE BEGINNING OF THE LINE
02C9 CD1504 480 CALL CLLINE ;CLEAR THE LINE
02CC C30F01 481 JMP SETUP ;LEAVE
482 ;

```

# APPLICATIONS

```

483 ;THIS ROUTINE CLEARS THE SCREEN.
484 ;
02CF CDE403 CLEAR: CALL CLSCR ;GO CLEAR THE SCREEN
02D2 C30F01 JMP SETUP ;GO BACK
487 ;
488 ;THIS ROUTINE CLEARS ALL LINES BENEATH THE LOCATION
489 ;OF THE CURSOR.
490 ;
02D5 CDA504 CLRST: CALL CALCU ;CALCULATE ADDRESS
02D8 CDCD04 CALL ADX ;ADD X POSITION
02DB 01204F 493 LXI B,4F20H ;PUT SPACE AND LAST X IN B AND C
02DE 3AE20F 494 LDA CURSX ;GET X CURSOR
02E1 B8 495 CMP B ;SEE IF AT END OF LINE
02E2 CAEC02 496 JZ OVR1 ;LEAVE IF X IS AT END OF LINE
02E5 3C 497 LLP: INR A ;MOVE A OVER ONE X POSITION
02E6 23 498 INX H ;INCREMENT MEMORY POINTER
02E7 71 499 MOV M,C ;PUT A SPACE IN MEMORY
02E8 B8 500 CMP B ;SEE IF A = 4FH
02E9 C2E502 501 JNZ LLP ;IF NOT LOOP AGAIN
02EC 01D00F 502 OVR1: LXI B,LAST ;PUT LAST LINE IN BC
02EF 23 503 INX H ;POINT HL TO LAST LINE
02F0 78 504 MOV A,B ;GET B
02F1 BC 505 CMP H ;SAME AS H?
02F2 C2FD02 506 JNZ CONCL ;LEAVE IF NOT
02F5 79 507 MOV A,C ;GET C
02F6 BD 508 CMP L ;SAME AS L?
02F7 C2FD02 509 JNZ CONCL ;LEAVE IF NOT
02FA 210008 510 LXI H,TPDIS ;GET TOP OF DISPLAY
02FD 3AE10F 511 CONCL: LDA CURSY ;GET Y CURSOR
0300 FE18 512 CPI CURBOT ;IS IT ON THE BOTTOM
0302 CA0F01 513 JZ SETUP ;LEAVE IF IT IS
0305 3C 514 INR A ;MOVE IT DOWN ONE LINE
0306 47 515 MOV B,A ;SAVE CURSOR IN B FOR LATER
0307 115000 516 LXI D,LENGTH ;PUT LENGTH OF ONE LINE IN D
030A 36F0 517 CLOOP: MVI M,0FH ;PUT BOR IN MEMORY
030C 78 518 MOV A,B ;GET CURSOR Y
030D FE18 519 CPI CURBOT ;ARE WE ON THE BOTTOM
030F CA0F01 520 JZ SETUP ;LEAVE IF WE ARE
0312 3C 521 INR A ;MOVE CURSOR DOWN ONE
0313 19 522 DAD D ;GET NEXT LINE
0314 47 523 MOV B,A ;SAVE A
0315 7C 524 MOV A,H ;PUT H IN A
0316 FE0F 525 CPI 0FH ;COMPARE TO HIGH LAST
0318 C20A03 526 JNZ CLOOP ;LEAVE IF IT IS NOT
031B 7D 527 MOV A,L ;PUT L IN A
031C FED0 528 CPI 0D0H ;COMPARE TO LOW LAST
031E C20A03 529 JNZ CLOOP ;LEAVE IF IT IS NOT
0321 210008 530 LXI H,TPDIS ;PUT TOP DISPLAY IN H AND L
0324 C30A03 531 JMP CLOOP ;LOOP AGAIN
532 ;
;THIS ROUTINE CLEARS THE LINE THE CURSOR IS ON.
533 ;
0327 CDA504 534 CLRLIN: CALL CALCU ;CALCULATE ADDRESS
032A 22E50F 535 SHLD LOC80 ;STORE H AND L TO CLEAR LINE
032D CD1504 536 CALL CLLINE ;CLEAR THE LINE
0330 C30F01 537 JMP SETUP ;GO BACK
538 ;
;THIS ROUTINE MOVES THE CURSOR UP ONE LINE.
539 ;
0333 3AE10F 540 UPCUR: LDA CURSY ;GET Y CURSOR
0336 FE00 541 CPI 00H ;IS IT ZERO
0338 CA0F01 542 JZ SETUP ;IF IT IS LEAVE
033B 3D 543 DCR A ;MOVE CURSOR UP
033C 32E10F 544 STA CURSY ;SAVE NEW CURSOR
033F CDB803 545 CALL LDCUR ;LOAD THE CURSOR
0342 C30F01 546 JMP SETUP ;LEAVE
547 ;
;THIS ROUTINE MOVES THE CURSOR ONE LOCATION TO THE RIGHT
548 ;
0345 3AE20F 549 RIGHT: LDA CURSX ;GET X CURSOR
0348 FE4F 550 CPI 4FH ;IS IT ALL THE WAY OVER?
034A C26403 551 JNZ NTOVER ;IF NOT JUMP AROUND
034D 3AE10F 552 LDA CURSY ;GET Y CURSOR
0350 FE18 553 CPI CURBOT ;SEE IF ON BOTTOM
0352 CA5903 554 JZ GD18 ;IF WE ARE JUMP
0355 3C 555 INR Y ;INCREMENT Y CURSOR
0356 32E10F 556 STA CURSY ;SAVE IT
0359 3E00 557 MVI A,00H ;ZERO A
035B 32E20F 558 GD18: STA CURSX ;ZERO X CURSOR
035E CDB803 559 CALL LDCUR ;LOAD THE CURSOR
0361 C30F01 560 JMP SETUP ;LEAVE
0364 3C 561 NTOVER: INR X ;INCREMENT X CURSOR
0365 32E20F 562 STA CURSX ;SAVE IT
0368 CDB803 563 CALL LDCUR ;LOAD THE CURSOR
036B C30F01 564 JMP SETUP ;LEAVE
565 ;
;THIS ROUTINE MOVES THE CURSOR LEFT ONE CHARACTER POSITION
566 ;
567 ;
568 ;
569 ;

```

# APPLICATIONS

```

570
036E 3AE20F 571 LEFT: LDA CURSX ;GET X CURSOR
0371 FE00 572 CPI 00H ;IS IT ALL THE WAY OVER
0373 C28D03 573 JNZ NOVER ;IF NOT JUMP AROUND
0376 3AE10F 574 LDA CURSY ;GET CURSOR Y
0379 FE00 575 CPI 00H ;IS IT ZERO?
037B CA0F01 576 JZ SETUP ;IF IT IS JUMP
037E 3D 577 DCR A ;MOVE CURSOR Y UP
037F 32E10F 578 STA CURSY ;SAVE IT
0382 3E4F 579 MVI A,4FH ;GET LAST X LOCATION
0384 32E20F 580 STA CURSX ;SAVE IT
0387 CDB803 581 CALL LDCUR ;LOAD THE CURSOR
038A C30F01 582 JMP SETUP
038D 3D 583 NOVER: DCR A ;ADJUST X CURSOR
038E 32E20F 584 STA CURSX ;SAVE CURSOR X
0391 CDB803 585 CALL LDCUR ;LOAD THE CURSOR
0394 C30F01 586 JMP SETUP ;LEAVE
587
588 ;THIS ROUTINE HOMES THE CURSOR.
589
0397 3E00 590 HOME: MVI A,00H ;ZERO A
0399 32E20F 591 STA CURSX ;ZERO X CURSOR
039C 32E10F 592 STA CURSY ;ZERO Y CURSOR
039F CDB803 593 CALL LDCUR ;LOAD THE CURSOR
03A2 C30F01 594 JMP SETUP ;LEAVE
595
596 ;THIS ROUTINE SETS THE ESCAPE BIT
597
03A5 3E80 598 ESKAP: MVI A,80H ;LOAD A WITH ESCAPE BIT
03A7 32EE0F 599 STA ESCP ;SET ESCAPE LOCATION
03AA C30F01 600 JMP SETUP ;GO BACK AND READ USART
601
602 ;THIS ROUTINE DOES A CR
603
03AD 3E00 604 CGRT: MVI A,00H ;ZERO A
03AF 32E20F 605 STA CURSX ;ZERO CURSOR X
03B2 CDB803 606 CALL LDCUR ;LOAD CURSOR INTO 8275
03B5 C30F01 607 JMP SETUP ;POLL USART AGAIN
608
609 ;THIS ROUTINE LOADS THE CURSOR
610
03B8 3E80 611 LDCUR: MVI A,80H ;PUT 80H INTO A
03BA 320110 612 STA CRIS ;LOAD CURSOR INTO 8275
03BD 3AE20F 613 LDA CURSX ;GET CURSOR X
03C0 320010 614 STA CR'IM ;PUT IT IN 8275
03C3 3AE10F 615 LDA CURSY ;GET CURSOR Y
03C6 320010 616 STA CR'IM ;PUT IT IN 8275
03C9 C9 617 RET
618
619 ;THIS ROUTINE DOES A FORM FEED
620
03CA CDE403 621 FMFD: CALL CLSCR ;CALL CLEAR SCREEN
03CD 210008 622 LXI H,TPDIS ;PUT TOP DISPLAY IN HL
03D0 22E50F 623 SHLD LOC80 ;PUT IT IN LOC80
03D3 CD1504 624 CALL CLLINE ;CLEAR TOP LINE
03D6 3E00 625 MVI A,00H ;ZERO A
03D8 32E20F 626 STA CURSX ;ZERO CURSOR X
03DB 32E10F 627 STA CURSY ;ZERO CURSOR Y
03DE CDB803 628 CALL LDCUR ;LOAD THE CURSOR
03E1 C30F01 629 JMP SETUP ;BACK TO USART
630
631 ;THIS ROUTINE CLEARS THE SCREEN BY WRITING END OF ROW
632 ;CHARACTERS INTO THE FIRST LOCATION OF ALL LINES ON
633 ;THE SCREEN.
634
03E4 3EF0 635 CLSCR: MVI A,0F0H ;PUT EOR CHARACTER IN A
03E6 0618 636 MVI B,CURBOT ;LOAD B WITH MAX Y
03E8 04 637 INR B ;GO TO MAX PLUS ONE
03E9 210008 638 LXI H,TPDIS ;LOAD H AND L WITH TOP OF RAM
03EC 115000 639 LXI D,LENGTH ;MOVE 50H = 80D INTO D AND E
03EF 77 640 LOADX: MOV M,A ;MOVE EOR INTO MEMORY
03F0 19 641 DAD D ;CHANGE POINTER BY 80D
03F1 05 642 DCR B ;COUNT THE LOOPS
03F2 C2EF03 643 JNZ LOADX ;CONTINUE IF NOT ZERO
03F5 C9 644 RET ;GO BACK
645
646 ;THIS ROUTINE DOES A LINE FEED
647
03F6 CDFC03 648 LNFD: CALL LNFD1 ;CALL ROUTINE
03F9 C30F01 649 JMP SETUP ;POLL FLAGS
650
651 ;LINE FEED
652
03FC 3AE10F 653 LNFD1: LDA CURSY ;GET Y LOCATION OF CURSOR
03FF FE18 654 CPI CURBOT ;SEE IF AT BOTTOM OF SCREEN
0401 CA5304 655 JZ ONBOT ;IF WE ARE, LEAVE
0404 3C 656 INR A ;INCREMENT A
0405 32E10F 657 STA CURSY ;SAVE NEW CURSOR

```

# APPLICATIONS

```

0408 CDA504      658      CALL      CALCU      ;CALCULATE ADDRESS
0408 22E50F      659      SHLD     LOC80      ;SAVE TO CLEAR LINE
040E CD1504      660      CALL     CLLINE     ;CLEAR THE LINE
0411 CDB803      661      CALL     LDCUR      ;LOAD THE CURSOR
0414 C9          662      RET        ;LEAVE
                663      ;
                664      ; THIS ROUTINE CLEARS THE LINE WHOSE FIRST ADDRESS
                665      ; IS IN LOC80. PUSH INSTRUCTIONS ARE USED TO RAPIDLY
                666      ; CLEAR THE LINE
                667      ;
0415 F3          668      CLLINE:  DI         ;NO INTERRUPTS HERE
0416 2AE50F      669      LHL     L0C80      ;GET LOC80
0419 115000      670      LXI     D,LENGTH  ;GET OFFSET
041C 19          671      DAD     D          ;ADD OFFSET
041D EB          672      XCHG    ;PUT START IN DE
041E 210000      673      LXI     H,0000H   ;ZERO HL
0421 39          674      DAD     SP        ;GET STACK
0422 EB          675      XCHG    ;PUT STACK IN DE
0423 F9          676      SPHL   ;PUT START IN SP
0424 212020      677      LXI     H,2020H   ;PUT SPACES IN HL
                678      ;
                679      ; NOW DO 40 PUSH INSTRUCTIONS TO CLEAR THE LINE
                680      ;
                681      REPT (LENGTH/2)
                682      PUSH     H
                683      ENDM
0427 E5          684+     PUSH     H
0428 E5          685+     PUSH     H
0429 E5          686+     PUSH     H
042A E5          687+     PUSH     H
042B E5          688+     PUSH     H
042C E5          689+     PUSH     H
042D E5          690+     PUSH     H
042E E5          691+     PUSH     H
042F E5          692+     PUSH     H
0430 E5          693+     PUSH     H
0431 E5          694+     PUSH     H
0432 E5          695+     PUSH     H
0433 E5          696+     PUSH     H
0434 E5          697+     PUSH     H
0435 E5          698+     PUSH     H
0436 E5          699+     PUSH     H
0437 E5          700+     PUSH     H
0438 E5          701+     PUSH     H
0439 E5          702+     PUSH     H
043A E5          703+     PUSH     H
043B E5          704+     PUSH     H
043C E5          705+     PUSH     H
043D E5          706+     PUSH     H
043E E5          707+     PUSH     H
043F E5          708+     PUSH     H
0440 E5          709+     PUSH     H
0441 E5          710+     PUSH     H
0442 E5          711+     PUSH     H
0443 E5          712+     PUSH     H
0444 E5          713+     PUSH     H
0445 E5          714+     PUSH     H
0446 E5          715+     PUSH     H
0447 E5          716+     PUSH     H
0448 E5          717+     PUSH     H
0449 E5          718+     PUSH     H
044A E5          719+     PUSH     H
044B E5          720+     PUSH     H
044C E5          721+     PUSH     H
044D E5          722+     PUSH     H
044E E5          723+     PUSH     H
044F EB          724      XCHG    ;PUT STACK IN HL
0450 F9          725      SPHL   ;PUT IT BACK IN SP
0451 FB          726      EI        ;ENABLE INTERRUPTS
0452 C9          727      RET        ;GO BACK
                728      ;
                729      ; IF CURSOR IS ON THE BOTTOM OF THE SCREEN THIS ROUTINE
                730      ; IS USED TO IMPLEMENT THE LINE FEED
                731      ;
0453 2AE30F      732      ONBOT:  LHL     TOPAD      ;GET TOP ADDRESS
0456 22E50F      733      SHLD     LOC80      ;SAVE IT IN LOC80
0459 115000      734      LXI     D,LENGTH  ;LINE LENGTH
045C 19          735      DAD     D          ;ADD HL + DE
045D 01D00F      736      LXI     B, LAST   ;GET BOTTOM LINE
045E 7C          737      MOV     A,H       ;GET H
0461 B8          738      CMP     B         ;SAME AS B
0462 C26D04      739      JNZ     ARND      ;LEAVE IF NOT SAME
0465 7D          740      MOV     A,L       ;GET L
0466 B9          741      CMP     C         ;SAME AS C
0467 C26D04      742      JNZ     ARND      ;LEAVE IF NOT SAME
046A 210008      743      LXI     H,TPDIS   ;LOAD HL WITH TOP OF DISPLAY
046D 22E30F      744      ARND:  SHLD     TOPAD      ;SAVE NEW TOP ADDRESS

```

# APPLICATIONS

```

0470 CD1504      745 CALL      CLLINE      ;CLEAR LINE
0473 CDB803      746 CALL      LDCUR       ;LOAD THE CURSOR
0476 C9          747 RET
                748
                749 ;
                750 ; THIS ROUTINE PUTS A CHARACTER ON THE SCREEN AND
                751 ; INCREMENTS THE X CURSOR POSITION. A LINE FEED IS
                752 ; INSERTED IF THE INCREMENTED CURSOR EQUALS 81D
0477 CDA504      753 CHRPUT: CALL      CALCU       ;CALCULATE SCREEN POSITION
047A 7E          754 MOV      A,M          ;GET FIRST CHARACTER
047B FEF0        755 CPI      0F0H        ;IS IT A CLEAR LINE
047D 22E50F      756 SHLD    LOC80        ;SAVE LINE TO CLEAR
0480 CC1504      757 CZ       CLLINE      ;CLEAR LINE
0483 2AE50F      758 LHLD    LOC80        ;GET LINE
0486 CDCD04      759 CALL    ADX          ;ADD CURSOR X
0489 3AE70F      760 LDA     USC'R        ;GET CHARACTER
048C 77          761 MOV     M,A          ;PUT IT ON SCREEN
048D 3AE20F      762 LDA     CURSX        ;GET CURSOR X
0490 3C          763 INR     A            ;INCREMENT CURSOR X
0491 FE50        764 CPI     LN'GTH       ;HAS IT GONE TOO FAR?
0493 C29C04      765 JNZ     OK1         ;IF NOT GOOD
0496 CDFC03      766 CALL    LNFDI        ;DO A LINE FEED
0499 C3AD03      767 JMP     CGRT         ;DO A CR
049C 32E20F      768 STA     CURSX        ;SAVE CURSOR
049F CDB803      769 CALL    LDCUR       ;LOAD THE CURSOR
04A2 C30F01      770 JMP     SETUP        ;LEAVE
                771
                772 ;
                773 ; THIS ROUTINE TAKES THE TOP ADDRESS AND THE Y CURSOR
                774 ; LOCATION AND CALCULATES THE ADDRESS OF THE LINE
                775 ; THAT THE CURSOR IS ON. THE RESULT IS RETURNED IN H
                776 ; AND L AND ALL REGISTERS ARE USED.
04A5 21D504      777 CALCU: LXI     H,LINTAB ;GET LINE TABLE INTO H AND L
04A8 3AE10F      778 LDA     CURSY        ;GET CURSOR INTO A
04AB 07          779 RLC          ;SET UP A FOR LOOKUP TABLE
04AC 0600        780 MVI     B,00H       ;ZERO B
04AE 4F          781 MOV     C,A         ;PUT CURSOR INTO A
04AF 09          782 DAD     B           ;ADD LINE TABLE TO Y CURSOR
04B0 7E          783 MOV     A,M         ;PUT LOW LINE TABLE INTO A
04B1 4F          784 MOV     C,A         ;PUT LOW LINE TABLE INTO C
04B2 23          785 INX     H           ;CHANGE MEMORY POINTER
04B3 7E          786 MOV     A,M         ;PUT HIGH LINE TABLE INTO A
04B4 47          787 MOV     B,A         ;PUT HIGH LINE TABLE INTO B
04B5 2100F8      788 LXI     H,0F800H    ;TWO'S COMPLEMENT SCREEN LOCATION
04B8 09          789 DAD     B           ;SUBTRACT OFFSET
04B9 EB          790 XCHG          ;SAVE HL IN DE
04BA 2AE30F      791 LHLD    TOPAD       ;GET TOP ADDRESS IN H AND L
04BD 19          792 DAD     D           ;GET DISPLACED ADDRESS
04BE EB          793 XCHG          ;SAVE IT IN D
04BF 2130F0      794 LXI     H,0F030H    ;TWO'S COMPLEMENT SCREEN LOCATION
04C2 19          795 DAD     D           ;SEE IF WE ARE OFF THE SCREEN
04C3 DAC804      796 JC      FIX        ;IF WE ARE FIX IT
04C6 EB          797 XCHG          ;GET DISPLACED ADDRESS BACK
04C7 C9          798 RET          ;GO BACK
04C8 2130F8      799 FIX:   LXI     H,0F830H ;SCREEN BOUNDRY
04CB 19          800 DAD     D           ;ADJUST SCREEN
04CC C9          801 RET          ;GO BACK
                802
                803 ;
                804 ; THIS ROUTINE ADDS THE X CURSOR LOCATION TO THE ADDRESS
                805 ; THAT IS IN THE H AND L REGISTERS AND RETURNS THE RESULT
                806 ; IN H AND L
04CD 3AE20F      807 ADX:   LDA     CURSX        ;GET CURSOR
04D0 0600        808 MVI     B,00H       ;ZERO B
04D2 4F          809 MOV     C,A         ;PUT CURSOR X IN C
04D3 09          810 DAD     B           ;ADD CURSOR X TO H AND L
04D4 C9          811 RET          ;LEAVE
                812
                813 ;
                814 ; THIS TABLE CONTAINS THE OFFSET ADDRESSES FOR EACH
                815 ; OF THE 25 DISPLAYED LINES.
0000            816 LINTAB: LNNUM SET 0
                817 REPT (CURBOT+1)
                818 DW     TPDIS+(LN'GTH*LNNUM)
                819 LNNUM SET (LNNUM+1)
                820 ENDM
04D5 0008        821+    DW     TPDIS+(LN'GTH*LNNUM)
0001            822+    LNNUM SET (LNNUM+1)
04D7 5008        823+    DW     TPDIS+(LN'GTH*LNNUM)
0002            824+    LNNUM SET (LNNUM+1)
04D9 A008        825+    DW     TPDIS+(LN'GTH*LNNUM)
0003            826+    LNNUM SET (LNNUM+1)
04DB F008        827+    DW     TPDIS+(LN'GTH*LNNUM)
0004            828+    LNNUM SET (LNNUM+1)
04DD 4009        829+    DW     TPDIS+(LN'GTH*LNNUM)
0005            830+    LNNUM SET (LNNUM+1)
04DF 9009        831+    DW     TPDIS+(LN'GTH*LNNUM)

```

# APPLICATIONS

```

0006      832+      LINNUM SET (LINNUM+1)
04E1 E009    833+      DW      TDIS+(LNGETH*LINNUM)
0007      834+      LINNUM SET (LINNUM+1)
04E3 300A    835+      DW      TDIS+(LNGETH*LINNUM)
0008      836+      LINNUM SET (LINNUM+1)
04E5 800A    837+      DW      TDIS+(LNGETH*LINNUM)
0009      838+      LINNUM SET (LINNUM+1)
04E7 D00A    839+      DW      TDIS+(LNGETH*LINNUM)
000A      840+      LINNUM SET (LINNUM+1)
04E9 200B    841+      DW      TDIS+(LNGETH*LINNUM)
000B      842+      LINNUM SET (LINNUM+1)
04EB 700B    843+      DW      TDIS+(LNGETH*LINNUM)
000C      844+      LINNUM SET (LINNUM+1)
04ED C00B    845+      DW      TDIS+(LNGETH*LINNUM)
000D      846+      LINNUM SET (LINNUM+1)
04EF 100C    847+      DW      TDIS+(LNGETH*LINNUM)
000E      848+      LINNUM SET (LINNUM+1)
04F1 600C    849+      DW      TDIS+(LNGETH*LINNUM)
000F      850+      LINNUM SET (LINNUM+1)
04F3 B00C    851+      DW      TDIS+(LNGETH*LINNUM)
0010      852+      LINNUM SET (LINNUM+1)
04F5 000D    853+      DW      TDIS+(LNGETH*LINNUM)
0011      854+      LINNUM SET (LINNUM+1)
04F7 500D    855+      DW      TDIS+(LNGETH*LINNUM)
0012      856+      LINNUM SET (LINNUM+1)
04F9 A00D    857+      DW      TDIS+(LNGETH*LINNUM)
0013      858+      LINNUM SET (LINNUM+1)
04FB F00D    859+      DW      TDIS+(LNGETH*LINNUM)
0014      860+      LINNUM SET (LINNUM+1)
04FD 400E    861+      DW      TDIS+(LNGETH*LINNUM)
0015      862+      LINNUM SET (LINNUM+1)
04FF 900E    863+      DW      TDIS+(LNGETH*LINNUM)
0016      864+      LINNUM SET (LINNUM+1)
0501 E00E    865+      DW      TDIS+(LNGETH*LINNUM)
0017      866+      LINNUM SET (LINNUM+1)
0503 300F    867+      DW      TDIS+(LNGETH*LINNUM)
0018      868+      LINNUM SET (LINNUM+1)
0505 800F    869+      DW      TDIS+(LNGETH*LINNUM)
0019      870+      LINNUM SET (LINNUM+1)
          871+      ;
          872      ;KEYBOARD LOOKUP TABLE
          873      ;THIS TABLE CONTAINS ALL THE ASCII CHARACTERS
          874      ;THAT ARE TRANSMITTED BY THE TERMINAL
          875      ;THE CHARACTERS ARE ORGANIZED SO THAT BITS 0,1 AND 2
          876      ;ARE THE SCAN LINES, BITS 3,4 AND 5 ARE THE RETURN LINES
          877      ;BIT 6 IS SHIFT AND BIT 7 IS CONTROL
          878      ;
0507 38      879 KYLKUP: DB      38H,39H      ;8 AND 9
0508 39      880      DB      30H,20H      ;0 AND -
0509 30      881      DB      3DH,5CH      ;= AND \
050A 2D      882      DB      08H,00H      ;BS AND BREAK
050B 3D      883      DB      75H,69H      ;LOWER CASE U AND I
050C 5C      884      DB      6FH,70H      ;LOWER CASE O AND P
050D 08      885      DB      5BH,5CH      ;[ AND \
050E 00      886      DB      0AH,7FH      ;LF AND DELETE
050F 75      887      DB      6AH,6BH      ;LOWER CASE J AND K
0510 69      888      DB      6CH,3BH      ;LOWER CASE L AND ;
0511 6F      889      DB      27H,00H      ;' AND NOTHING
0512 70      890      DB      0DH,37H      ;CR AND 7
0513 5B      891      DB      6DH,2CH      ;LOWER CASE M AND COMMA
0514 5C      892      DB      2EH,2FH      ;PERIOD AND SLASH
0515 0A      893      DB      00H,00H      ;BLANK AND NOTHING
0516 7F      894      DB      00H,00H      ;NOTHING AND NOTHING
0517 6A      895      DB      00H,61H      ;NOTHING AND LOWER CASE A
0518 6B      896      DB      7AH,78H      ;LOWER CASE Z AND X
0519 6C      897      DB      63H,76H      ;LOWER CASE C AND V
051A 3B      898      DB      62H,6EH      ;LOWER CASE B AND N
051B 27
051C 00
051D 0D
051E 37
051F 6D
0520 2C
0521 2E
0522 2F
0523 00
0524 00
0525 00
0526 00
0527 00
0528 61
0529 7A
052A 78
052B 63
052C 76
052D 62
052E 6E

```

# APPLICATIONS

052F 79	899	DB	79H,00H	;LOWER CASE Y AND NOTHING
0530 00				
0531 00	900	DB	00H,20H	;NOTHING AND SPACE
0532 20				
0533 64	901	DB	64H,66H	;LOWER CASE D AND F
0534 66				
0535 67	902	DB	67H,68H	;LOWER CASE G AND H
0536 68				
0537 00	903	DB	00H,71H	;TAB AND LOWER CASE Q
0538 71				
0539 77	904	DB	77H,73H	;LOWER CASE W AND S
053A 73				
053B 65	905	DB	65H,72H	;LOWER CASE E AND R
053C 72				
053D 74	906	DB	74H,00H	;LOWER CASE T AND NOTHING
053E 00				
053F 1B	907	DB	1BH,31H	;ESCAPE AND I
0540 31				
0541 32	908	DB	32H,33H	; 2 AND 3
0542 33				
0543 34	909	DB	34H,35H	; 4 AND 5
0544 35				
0545 36	910	DB	36H,00H	; 6 AND NOTHING
0546 00				
0547 2A	911	DB	2AH,28H	;* AND )
0548 28				
0549 29	912	DB	29H,5FH	; ( AND -
054A 5F				
054B 2B	913	DB	2BH,00H	;+ AND NOTHING
054C 00				
054D 08	914	DB	08H,00H	;BS AND BREAK
054E 00				
054F 55	915	DB	55H,49H	;U AND I
0550 49				
0551 4F	916	DB	4FH,50H	;O AND P
0552 50				
0553 5D	917	DB	5DH,00H	;} AND NO CHARACTER
0554 00				
0555 0A	918	DB	0AH,7FH	;LF AND DELETE
0556 7A				
0557 4A	919	DB	4AH,4BH	;J AND K
0558 4B				
0559 4C	920	DB	4CH,3AH	;L AND :
055A 3A				
055B 22	921	DB	22H,00H	; " AND NO CHARACTER
055C 00				
055D 0D	922	DB	0DH,26H	;CR AND &
055E 26				
055F 4D	923	DB	4DH,3CH	;M AND <
0560 3C				
0561 3E	924	DB	3EH,3FH	; > AND ?
0562 3F				
0563 00	925	DB	00H,00H	;BLANK AND NOTHING
0564 00				
0565 00	926	DB	00H,00H	;NOTHING AND NOTHING
0566 00				
0567 00	927	DB	00H,41H	;NOTHING AND A
0568 41				
0569 5A	928	DB	5AH,58H	;Z AND X
056A 58				
056B 43	929	DB	43H,56H	;C AND V
056C 56				
056D 42	930	DB	42H,4EH	;B AND N
056E 4E				
056F 59	931	DB	59H,00H	;Y AND NOTHING
0570 00				
0571 00	932	DB	00H,20H	;NO CHARACTER AND SPACE
0572 20				
0573 44	933	DB	44H,46H	;D AND F
0574 46				
0575 47	934	DB	47H,48H	;G AND H
0576 48				
0577 00	935	DB	00H,51H	;TAB AND Q
0578 51				
0579 57	936	DB	57H,53H	;W AND S
057A 53				
057B 45	937	DB	45H,52H	;E AND R
057C 52				
057D 54	938	DB	54H,00H	;T AND NO CONNECTION
057E 00				
057F 1B	939	DB	1BH,21H	;ESCAPE AND !
0580 21				
0581 40	940	DB	40H,23H	;@ AND #
0582 23				
0583 24	941	DB	24H,25H	;S AND \$
0584 25				
0585 5E	942	DB	5EH,00H	;^ AND NO CONNECTION



# APPLICATIONS

0586 00	943			
	944			; THIS IS WHERE THE CONTROL CHARACTERS ARE LOOKED UP
	945			
0587 00	946	DB	00H,00H	;NOTHING
0588 00				
0589 00	947	DB	00H,00H	;NOTHING
058A 00				
058B 00	948	DB	00H,00H	;NOTHING
058C 00				
058D 00	949	DB	00H,00H	;NOTHING
058E 00				
058F 15	950	DB	15H,09H	;CONTROL U AND I
0590 09				
0591 0F	951	DB	0FH,10H	;CONTROL O AND P
0592 10				
0593 0B	952	DB	0BH,0CH	;CONTROL [ AND \
0594 0C				
0595 0A	953	DB	0AH,7FH	;LF AND DELETE
0596 7F				
0597 0A	954	DB	0AH,0BH	;CONTROL J AND K
0598 0B				
0599 0C	955	DB	0CH,00H	;CONTROL L AND NOTHING
059A 00				
059B 00	956	DB	00H,00H	;NOTHING
059C 00				
059D 0D	957	DB	0DH,00H	;CR AND NOTHING
059E 00				
059F 0D	958	DB	0DH,00H	;CONTROL M AND COMMA
05A0 00				
05A1 00	959	DB	00H,00H	;NOTHING
05A2 00				
05A3 00	960	DB	00H,00H	;NOTHING
05A4 00				
05A5 00	961	DB	00H,00H	;NOTHING AND NOTHING
05A6 00				
05A7 1A	962	DB	1AH,18H	;CONTROL Z AND X
05A8 18				
05A9 03	963	DB	03H,16H	;CONTROL C AND V
05AA 16				
05AB 02	964	DB	02H,0EH	;CONTROL B AND N
05AC 0E				
05AD 19	965	DB	19H,00H	;CONTROL Y AND NOTHING
05AE 00				
05AF 00	966	DB	00H,20H	;NOTHING AND SPACE
05B0 20				
05B1 04	967	DB	04H,06H	;CONTROL D AND F
05B2 06				
05B3 07	968	DB	07H,08H	;CONTROL G AND H
05B4 08				
05B5 00	969	DB	00H,11H	;NOTHING AND CONTROL Q
05B6 11				
05B7 17	970	DB	17H,13H	;CONTROL W AND S
05B8 13				
05B9 06	971	DB	06H,12H	;CONTROL E AND R
05BA 12				
05BB 14	972	DB	14H,00H	;CONTROL W AND NOTHING
05BC 00				
05BD 1B	973	DB	1BH,1DH	;ESCAPE AND HOME (CREDIT)
05BE 1D				
05BF 1E	974	DB	1EH,1CH	;CURSOR UP AND DOWN (CREDIT)
05C0 1C				
05C1 14	975	DB	14H,1FH	;CURSOR RIGHT AND LEFT (CREDIT)
05C2 1F				
05C3 00	976	DB	00H,00H	;NOTHING
05C4 00				
	977			
	978			; LOOK UP TABLE FOR 8253 BAUD RATE GENERATOR
	979			
05C5 00	980	BDLK:	00H,05H,69H,03H	;75 AND 110 BAUD
05C6 05				
05C7 69				
05C8 03				
05C9 80	981	DB	80H,02H,40H,01H	;150 AND 300 BAUD
05CA 02				
05CB 40				
05CC 01				
05CD A0	982	DB	0A0H,00H	;600 BAUD
05CE 00				
05CF 50	983	DB	50H,00H	;1200 BAUD
05D0 00	984	DB	28H,00H	;2400 BAUD
05D1 28				
05D2 00	985	DB	14H,00H	;4800 BAUD
05D3 14				
05D4 00	986	DB	0AH,00H	;9600 BAUD
05D5 0A				
05D6 00				

# APPLICATIONS

```

987
988 ; DATA AREA
989 ;
0FE1 990 ORG 0FE1H
0001 991 CURSY: DS 1
0001 992 CURSX: DS 1
0002 993 TOPAD: DS 2
0002 994 LOC80: DS 2
0001 995 USCHR: DS 1
0002 996 CURAD: DS 2
0001 997 KEYDWN: DS 1
0001 998 KBCHR: DS 1
0001 999 BAUD: DS 1
0001 1000 KEYOK: DS 1
0001 1001 ESCP: DS 1
0001 1002 SHCON: DS 1
0001 1003 RETLIN: DS 1
0001 1004 SCNLIN: DS 1
1005 END

```

## PUBLIC SYMBOLS

## EXTERNAL SYMBOLS

### USER SYMBOLS

ADX	A 04CD	ARND	A 046D	BAUD	A 0FEC	BDLK	A 05C5	BTDIS	A 0F80	BYPASS	A 008F
CAPLOC	A 022E	CGRT	A 03AD	CHREC	A 024E	CHRPUT	A 0477	CLEAR	A 02CF	CLLINE	A 0415
CLRLIN	A 0327	CLRST	A 02D5	CLSCR	A 03E4	CNT0	A 5000	CNT1	A 5001	CNT2	A 5002
CNTM	A 6003	CNWD55	A 1803	CONCL	A 02FD	CRTM	A 1000	CRTS	A 1001	CURAD	A 0FE8
CURSX	A 0FE2	CURSY	A 0FE1	DOWN	A 02AE	ESCP	A 0FEE	ESKAP	A 03A5	ESSO	A 027B
FMPD	A 03CA	FRAME	A 0167	GD18	A 0359	HOME	A 0397	IN75	A 00F9	INT75	A 1401
KEYDWN	A 0FEA	KEYINP	A 0121	KEYOK	A 0FED	KEYS	A 0131	KPTR	A 0084	KYCHNG	A 018A
KYLKUP	A 0507	LAST	A 0FD0	LDCUR	A 03B8	LEFT	A 036E	LINNUM	A 0019	LINTAB	A 04D5
LNFD	A 03F6	LNFD1	A 03FC	LNPTH	A 0050	LOADX	A 03EF	LOC80	A 0FE5	LOOPF	A 00A7
LPKBD	A 0098	NOVER	A 038D	NTOVER	A 0364	OK1	A 049C	OK7	A 015C	ONBOT	A 0453
POPDAT	A 0034	PORTA	A 1800	PORTS	A 1801	PORTC	A 1802	RDKB	A 018F	RETLIN	A 0FE0
RXNDY	A 0113	SAVKEY	A 01AF	SCNLIN	A 0FF1	SCR	A 0211	SETUP	A 010F	SHCON	A 0FEF
STBAUD	A 00DC	STKEY	A 0223	STPTR	A 0FE0	TOPAD	A 0FE3	TPDIS	A 0800	TRANS	A 0148
UPI	A 01E9	UPCUR	A 0333	USCHR	A 0FE7	USTD	A A000	USTF	A A001		

ASSEMBLY COMPLETE, NO ERRORS