

V852™
32-/16-BIT SINGLE-CHIP MICROCONTROLLER

The μ PD703002 is a product in the V850 Family™ of 32-bit single-chip microcontrollers for real-time control applications. It integrates a 32-bit CPU, ROM, RAM, interrupt controller, real-time pulse unit, and serial interface on a single chip.

The μ PD70P3002 is available as an on-chip PROM version.

The details of functions are described in the following user's manuals. Be sure to read them before designing.

V852 User's Manual Hardware : U10038E
V850 Family User's Manual Architecture : U10243E

FEATURES

- Number of instructions: 74
- Minimum instruction execution time: 40 ns (@ 25-MHz operation)
- General-purpose register: 32 bits x 32
- Instruction set ideal for control application
- Internal memory ROM : 90 Kbytes
RAM : 3 Kbytes
- High-performance interrupt controller
- Real-time pulse unit ideal for control
- Powerful serial interface (on-chip dedicated baud rate generator)
- On-chip clock generator
- Power save function

APPLICATIONS

- Audiovisual: Camcorders, VCRs, etc.
- Office equipment: PPCs, LBPs, printers, etc.
- Industry: Motor control, numerical control type machine tools, etc.
- Communication: Cellular phones, etc.

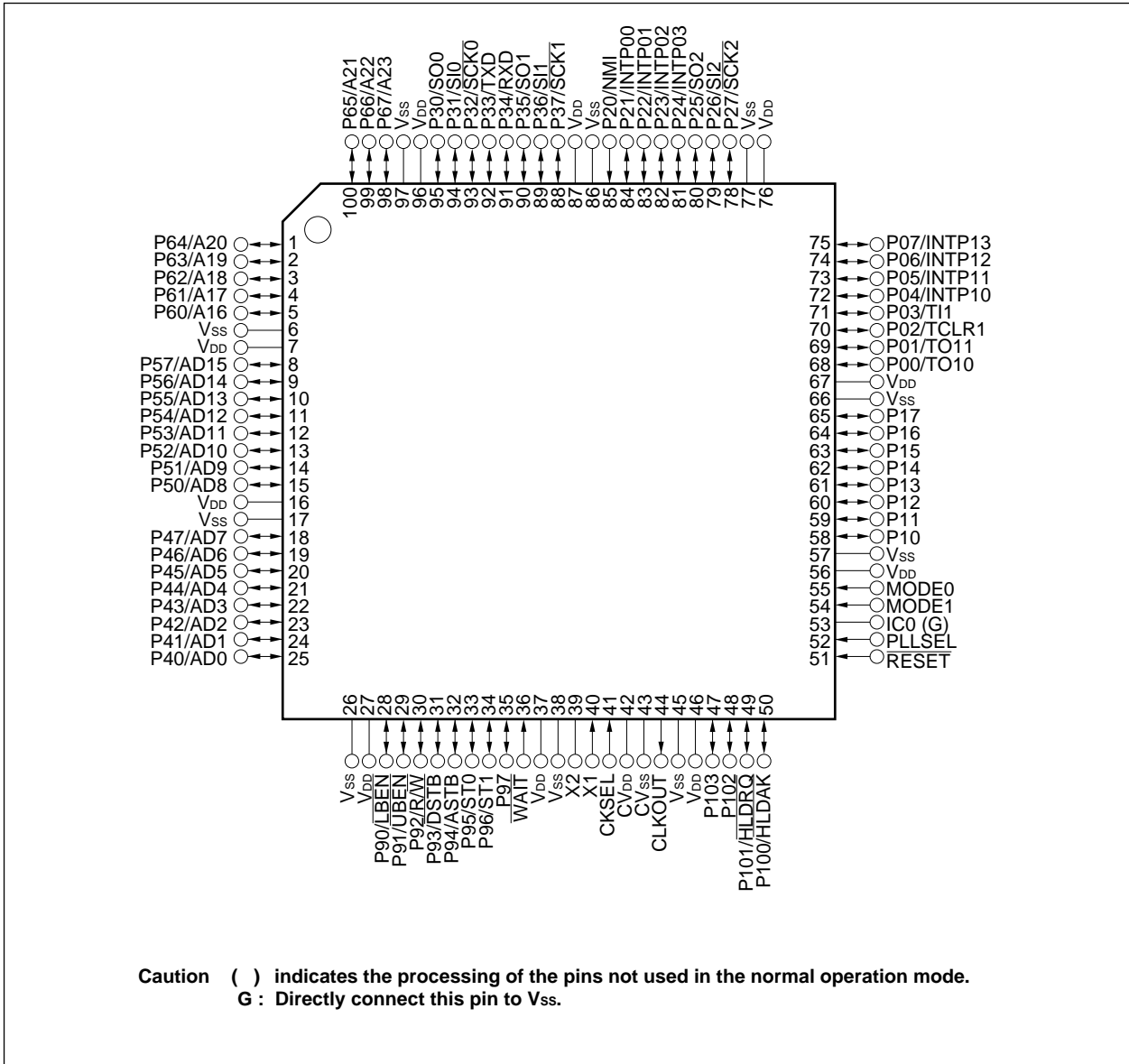
The information in this document is subject to change without notice.

ORDERING INFORMATION

Part Number	Package
μPD703002GC-25-xxx-7EA	100-pin plastic QFP (fine pitch) (14 × 14 mm) (Resin thickness : 1.45 mm)
★ μPD703002GC-25-xxx-8EU	100-pin plastic LQFP (fine pitch) (14 × 14 mm) (Resin thickness : 1.40 mm)

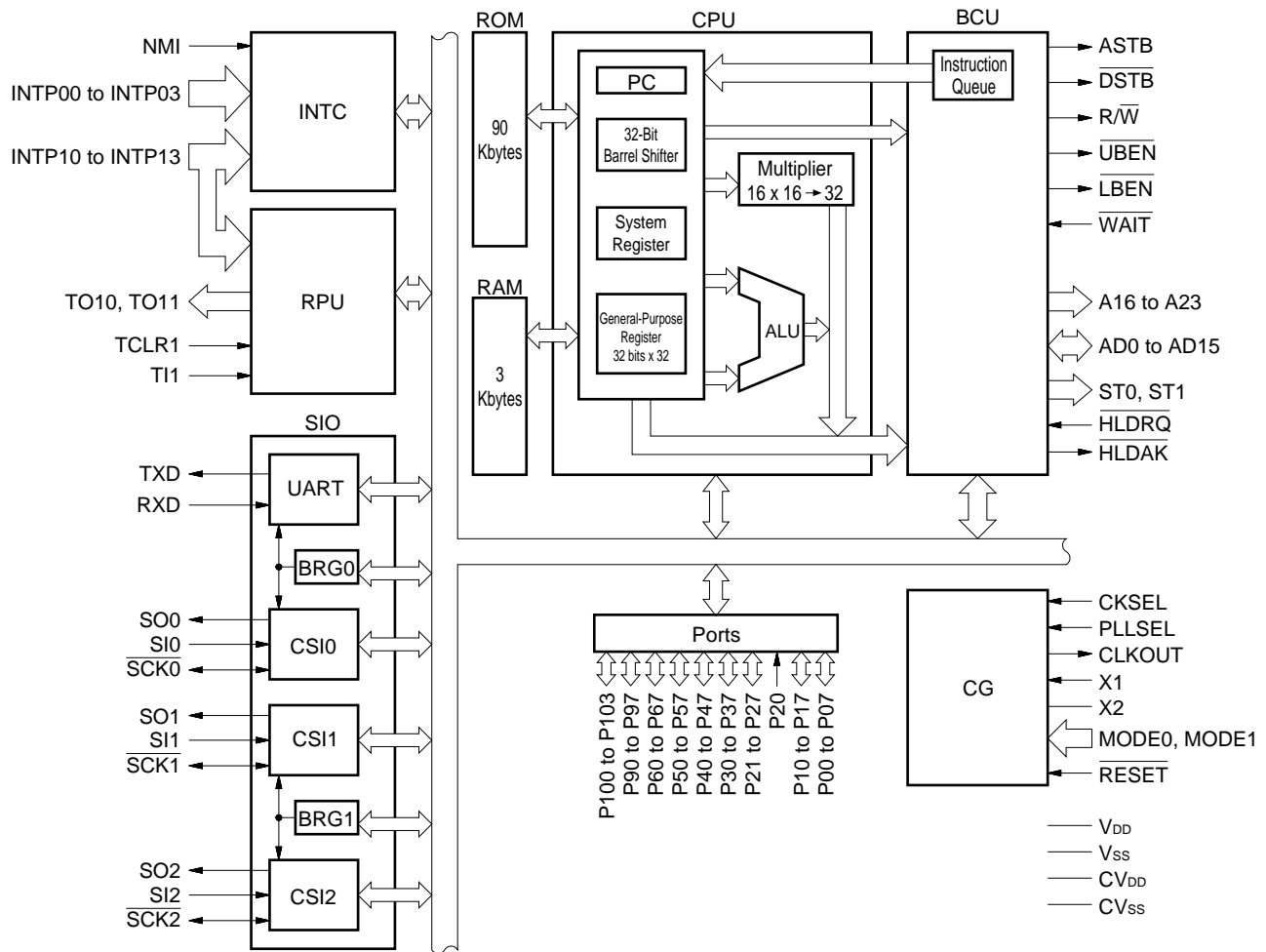
Remark xxx indicates the ROM code suffix.

PIN CONFIGURATION



P00 to P07	: Port0	A16 to A23	: Address Bus
P10 to P17	: Port1	$\overline{\text{LBEN}}$: Lower Byte Enable
P20 to P27	: Port2	$\overline{\text{UBEN}}$: Upper Byte Enable
P30 to P37	: Port3	$\overline{\text{R/W}}$: Read/Write Status
P40 to P47	: Port4	$\overline{\text{DSTB}}$: Data Strobe
P50 to P57	: Port5	ASTB	: Address Strobe
P60 to P67	: Port6	ST0, ST1	: Status
P90 to P97	: Port9	$\overline{\text{HLD\!AK}}$: Hold Acknowledge
P100 to P103	: Port10	$\overline{\text{HLDRQ}}$: Hold Request
TO10, TO11	: Timer Output	CLKOUT	: Clock Output
TCLR1	: Timer Clear	CKSEL	: Clock Select
TI1	: Timer Input	PLLSEL	: PLL Select
INTP00 to INTP03,	: Interrupt Request From Peripherals	$\overline{\text{WAIT}}$: Wait
INTP10 to INTP13		MODE0, MODE1	: Mode
NMI	: Non-maskable Interrupt Request	$\overline{\text{RESET}}$: Reset
SO0 to SO2	: Serial Output	X1, X2	: Crystal
SI0 to SI2	: Serial Input	CV _{DD}	: Power Supply for Clock Generator
$\overline{\text{SCK0}}$ to $\overline{\text{SCK2}}$: Serial Clock	CV _{SS}	: Ground for Clock Generator
TXD	: Transmit Data	V _{DD}	: Power Supply
RXD	: Receive Data	V _{SS}	: Ground
AD0 to AD15	: Address/Data Bus	IC0	: Internally Connected

FUNCTION BLOCK DIAGRAM



CONTENTS

- 1. PIN FUNCTION LIST 7
 - 1.1 Port Pins 7
 - 1.2 Non-Port Pins 9
 - 1.3 Pin I/O Circuits and Recommended Connections of Unused Pins 11

- 2. FUNCTION BLOCKS 13
 - 2.1 Internal Units 13
 - 2.1.1 CPU 13
 - 2.1.2 Bus control unit (BCU) 13
 - 2.1.3 ROM 13
 - 2.1.4 RAM 13
 - 2.1.5 Port 13
 - 2.1.6 Interrupt controller (INTC) 13
 - 2.1.7 Clock generator (CG) 13
 - 2.1.8 Real-time pulse unit (RPU) 13
 - 2.1.9 Serial interface (SIO) 14

- 3. CPU FUNCTION 15
 - 3.1 Features 15

- 4. BUS CONTROL FUNCTION 16
 - 4.1 Features 16

- 5. INTERRUPT/EXCEPTION HANDLING 17
 - 5.1 Features 17
 - 5.2 Configuration 17

- 6. CLOCK GENERATOR 19
 - 6.1 Features 19
 - 6.2 Configuration 19

- 7. TIMER/COUNTER FUNCTION (REAL-TIME PULSE UNIT) 20
 - 7.1 Features 20
 - 7.2 Configuration 21

- 8. SERIAL INTERFACE FUNCTION (SIO) 22
 - 8.1 Features 22
 - 8.2 Asynchronous Serial Interface (UART) 22
 - 8.2.1 Features 22
 - 8.2.2 Configuration 23

8.3 Clocked Serial Interface 0 to 2 (CSI0 to CSI2) 24

 8.3.1 Features 24

 8.3.2 Configuration 24

8.4 Baud Rate Generator 0, 1 (BRG0, BRG1) 25

 8.4.1 Features 25

 8.4.2 Configuration 25

9. PORT FUNCTION 26

 9.1 Features 26

 9.2 Configuration 26

10. RESET FUNCTION 38

 10.1 Features 38

11. INSTRUCTION SET 39

 11.1 Instruction Set List 39

12. ELECTRICAL SPECIFICATIONS 46

13. CHARACTERISTIC CURVES (REFERENCE) 65

14. PACKAGE DRAWINGS 66

15. RECOMMENDED SOLDERING CONDITIONS 68

1. PIN FUNCTION LIST

1.1 Port Pins

(1/2)

Pin Name	I/O	Function	Alternate Function
P00	I/O	Port 0 8-bit input/output port Input/output can be specified bit-wise.	TO10
P01			TO11
P02			TCLR1
P03			T11
P04			INTP10
P05			INTP11
P06			INTP12
P07			INTP13
P10 to P17	I/O	Port 1 8-bit input/output port Input/output can be specified bit-wise.	—
P20	Input	Port 2 P20 is the port for input only Operates as an NMI input when a valid edge is input. And shows NMI input status at bit 0 of P2 register. P21 to P27 are 7-bit input/output ports. Input/output can be specified bit-wise.	NMI
P21	I/O		INTP00
P22			INTP01
P23			INTP02
P24			INTP03
P25			SO2
P26			SI2
P27			SCK2
P30	I/O	Port 3 8-bit input/output port Input/output can be specified bit-wise.	SO0
P31			SI0
P32			SCK0
P33			TXD
P34			RXD
P35			SO1
P36			SI1
P37			SCK1
P40 to P47	I/O	Port 4 8-bit input/output port Input/output can be specified bit-wise.	AD0 to AD7
P50 to P57	I/O	Port 5 8-bit input/output port Input/output can be specified bit-wise.	AD8 to AD15
P60 to P67	I/O	Port 6 8-bit input/output port Input/output can be specified bit-wise.	A16 to A23

(2/2)

Pin Name	I/O	Function	Alternate Function
P90	I/O	Port 9 8-bit input/output port Input/output can be specified bit-wise.	$\overline{\text{LBEN}}$
P91			$\overline{\text{UBEN}}$
P92			R/W
P93			$\overline{\text{DSTB}}$
P94			ASTB
P95			ST0
P96			ST1
P97			—
P100	I/O	Port 10 4-bit input/output port Input/output can be specified bit-wise.	$\overline{\text{HLDK}}$
P101			$\overline{\text{HLDRQ}}$
P102			—
P103			—

1.2 Non-Port Pins

(1/2)

Pin Name	I/O	Function	Alternate Function
TO10	Output	Pulse signal output of timer 1	P00
TO11			P01
TCLR1	Input	Timer 1 external clear signal input	P02
T11		Timer 1 external count clock input	P03
INTP10	Input	External maskable interrupt request input, or timer 1 external capture trigger input (in common use)	P04
INTP11			P05
INTP12			P06
INTP13			P07
NMI	Input	Non-maskable interrupt request input	P20
INTP00	Input	External maskable interrupt request input	P21
INTP01			P22
INTP02			P23
INTP03			P24
SO0	Output	CS10 serial data transmission output	P30
SI0	Input	CS10 serial data reception input	P31
$\overline{\text{SCK0}}$	I/O	CS10 serial clock I/O	P32
SO1	Output	CS11 serial data transmission output	P35
SI1	Input	CS11 serial data reception input	P36
$\overline{\text{SCK1}}$	I/O	CS11 serial clock I/O	P37
SO2	Output	CS12 serial data transmission output	P25
SI2	Input	CS12 serial data reception input	P26
$\overline{\text{SCK2}}$	I/O	CS12 serial clock I/O	P27
TXD	Output	UART serial data transmission output	P33
RXD	Input	UART serial data reception input	P34
AD0 to AD7	I/O	16-bit multiplexed address/data bus when expanding memory externally	P40 to P47
AD8 to AD15			P50 to P57
A16 to A23	Output	Higher address bus when expanding memory externally	P60 to P67
$\overline{\text{LBEN}}$	Output	External data bus lower byte enable signal output	P90
$\overline{\text{UBEN}}$		External data bus higher byte enable signal output	P91
$\overline{\text{R/W}}$		External read/write status output	P92
$\overline{\text{DSTB}}$		External data strobe signal output	P93
ASTB		External address strobe signal output	P94
ST0		External bus cycle status output	P95
ST1			P96
$\overline{\text{HLDAK}}$		Output	Bus hold acknowledge output
$\overline{\text{HLDRQ}}$	Input	Bus hold request input	P101
CLKOUT	Output	System clock output	—
CKSEL	Input	Clock generator operation mode specification	—
PLLSEL	Input	Input specifying PLL multiplication coefficient input	—

(2/2)

Pin Name	I/O	Function	Alternate Function
WAIT	Input	Bus cycle wait insertion control signal input	—
MODE0, MODE1	Input	Operation mode specification	—
RESET	Input	System reset input	—
X1	Input	Connect resonator for system clock. Input external clock to X1.	—
X2	—		—
CV _{DD}	—	Positive power for internal clock generator	—
CV _{SS}	—	Ground potential for internal clock generator	—
V _{DD}	—	Positive power supply	—
V _{SS}	—	Ground potential	—
IC0	—	Internally connected	—

1.3 Pin I/O Circuits and Recommended Connections of Unused Pins

Table 1-1 shows the I/O circuit types of the respective pins in the normal operation mode and recommended connections of unused pins. Figure 1-1 shows the respective circuit types partially simplified.

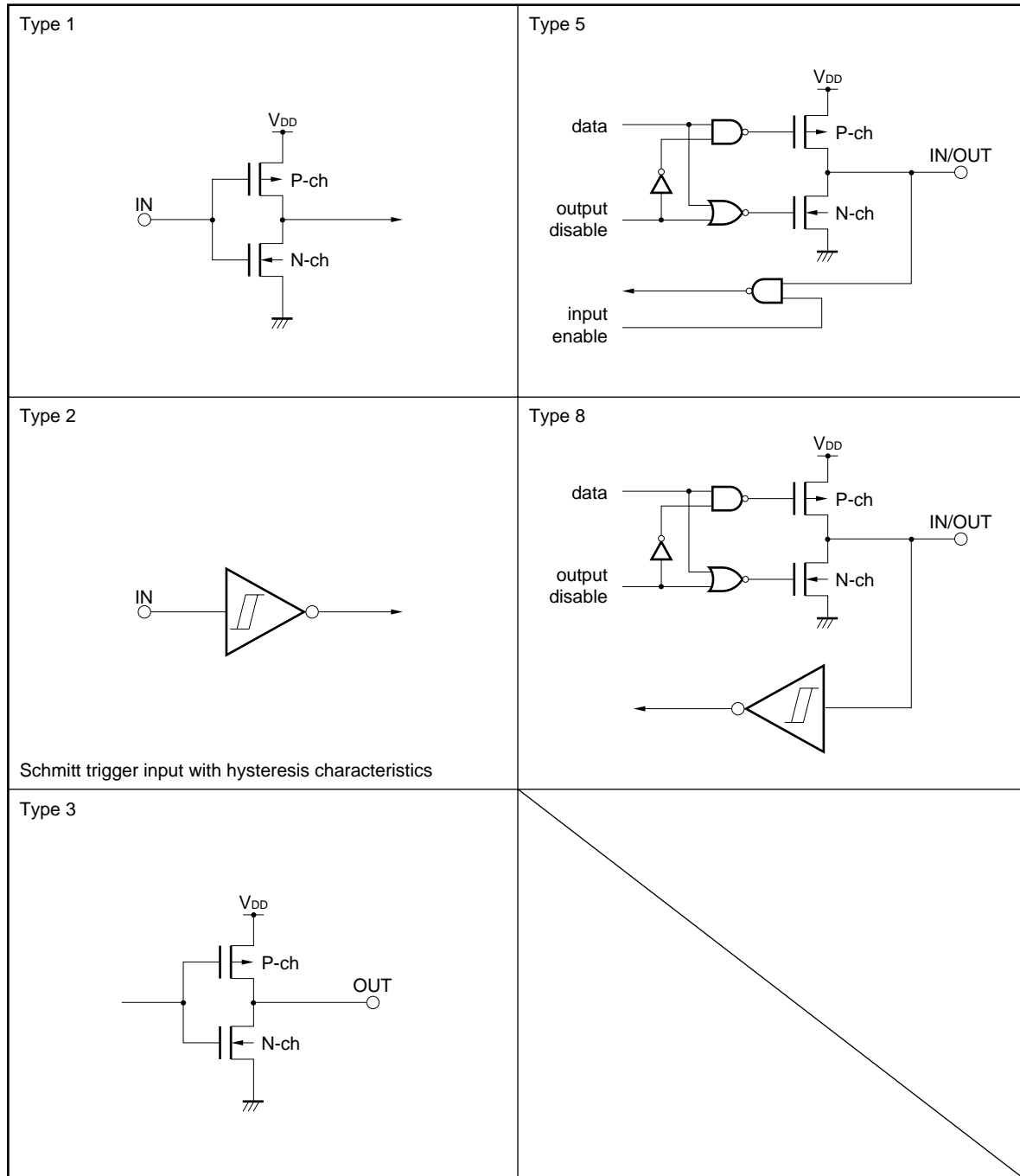
When connecting a pin to V_{DD} or V_{SS} via resistor, use of a resistor of 3 to 10 kΩ is recommended.

Table 1-1. Types of Pin I/O Circuits and Recommended Connections of Unused Pins

Pin Name	I/O Circuit Type	Recommended Connections
P00/TO10, P01/TO11	5	Input: Individually connect to V _{DD} or V _{SS} via resistor Output: Open
P02/TCLR1, P03/TI1, P04/INTP10 to P07/INTP13	8	
P10 to P17	5	
P20/NMI	2	Directly connect to V _{SS}
P21/INTP00 to P24/INTP03	8	Input: Individually connect to V _{DD} or V _{SS} via resistor Output: Open
P25/SO2	5	
P26/SI2, P27/SCK2	8	
P30/SO0	5	
P31/SI0, P32/SCK0	8	
P33/TXD, P34/RXD, P35/SO1	5	
P36/SI1, P37/SCK1	8	
P40/AD0 to P47/AD7	5	
P50/AD8 to P57/AD15		
P60/A16 to P67/A23		
P90/LBEN		
P91/UBEN		
P92/R/W		
P93/DSTB		
P94/ASTB		
P95/ST0, P96/ST1		
P97		
P100/HLDAK		
P101/HLDRQ		
P102, P103		
CLKOUT	3	Open
CKSEL	2	—
PLLSEL	2	—
WAIT	1	Directly connect to V _{DD}
MODE0, MODE1	2	—
RESET		
IC0	—	Directly connect to V _{SS}
CV _{DD}	—	Directly connect to V _{DD}
CV _{SS}	—	Directly connect to V _{SS}

★
★

Figure 1-1. Pin I/O Circuits



2. FUNCTION BLOCKS

2.1 Internal Units

2.1.1 CPU

Most instructions, such as address calculation, arithmetic and logic operation, and data transfer, are executed in one clock cycle under control of 5-stage pipeline.

The CPU also includes dedicated hardware such as a multiplier (16 by 16) and a 32-bit barrel shifter, aiming at processing complex instructions at high speeds.

In addition, the CPU can access internal ROM (90 Kbytes) and RAM (3 Kbytes) in one clock cycle.

2.1.2 Bus control unit (BCU)

- ★ The BCU initiates necessary external bus cycles based on the physical address given by the CPU. When an instruction fetch of external memory is executed, if no bus cycle initiation is requested by the CPU, the BCU creates a prefetch address to prefetch an instruction code. The prefetched instruction code is taken into the internal instruction queue.

2.1.3 ROM

The ROM has a capacity of 90 Kbytes and is mapped from the address 00000000H. Access to the ROM is enabled/disabled by setting the MODE0 and MODE1 pins.

The CPU can access any address of the ROM in one clock cycle (to fetch an instruction).

2.1.4 RAM

This RAM has a capacity of 3 Kbytes and is mapped from address FFFFE000H. The CPU can access any address of the RAM in one clock cycle (to access data).

2.1.5 Port

The μPD703000 is provided with a total of 68 input/output port pins (of which one is an input port pin), or ports 0 through 10. These port pins can be used as the control pins.

2.1.6 Interrupt controller (INTC)

The interrupt controller controls various interrupt requests (NMI, INTP00-INTP03, and INTP10-INTP13) issued by peripheral hardware or external devices. Up to eight levels of interrupt priority can be individually specified for each interrupt request. In addition, multiplexed processing control can be performed.

2.1.7 Clock generator (CG)

The clock generator generates a CPU operating clock whose frequency is 1 or 5 times as high as (with the internal PLL) or half (without the internal PLL) the frequency of the resonator connected across the X1 and X2 pins. Instead of connecting a resonator, a clock signal can be input from off-chip.

2.1.8 Real-time pulse unit (RPU)

The RPU which includes a 16-bit timer/event counter and a 16-bit interval timer, measures pulse intervals and pulse frequency, and outputs programmable pulses.

2.1.9 Serial interface (SIO)

The serial interface includes one UART channel (asynchronous serial interface) and three CSI channels (clocked serial interface).

The UART transfers data with the TXD and RXD pins. The baud rate is generated by an on-chip dedicated baud rate generator. The CSI transfers data with the SO0 to SO2, SI0 to SI2, and $\overline{\text{SCK0}}$ to $\overline{\text{SCK2}}$ pins. The baud rate can be generated from an on-chip dedicated baud rate generator, or supplied from off-chip.

3. CPU FUNCTION

The CPU of the μ PD703002 is based on the RISC architecture and executes almost all the instructions in one clock cycle, using a 5-stage pipeline.

3.1 Features

- Minimum instruction execution time: 40 ns (@ internal 25-MHz operation)
- Address space: 16-Mbyte linear
- General registers: 32 bits \times 32
- Internal 32-bit architecture
- Five-stage pipeline control
- Multiply/divide instruction
- Saturated operation instruction
- 32-bit shift instruction: 1 clock
- Long/short format
- Internal memory
 - ROM: 90 Kbytes
 - RAM: 3 Kbytes
- Bit manipulate instructions: 4 types
 - Set
 - Clear
 - Not
 - Test

4. BUS CONTROL FUNCTION

4.1 Features

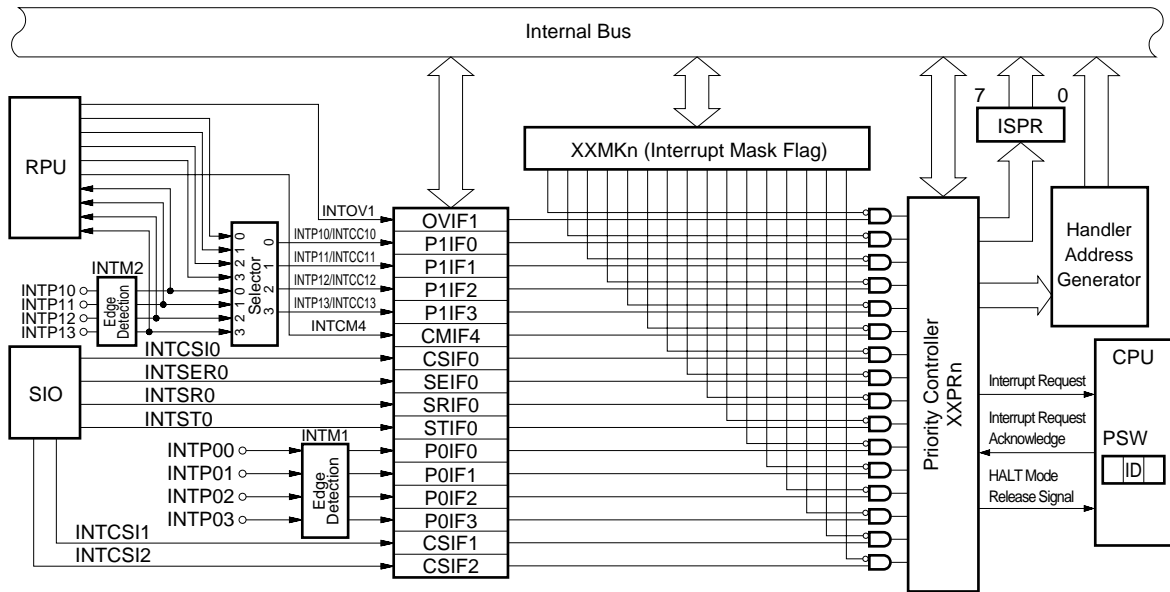
- External device connectable with port pins (using alternate function)
- Wait function
 - Programmable wait function inserting up to 3 states per 2 blocks
 - External wait function effected by $\overline{\text{WAIT}}$ pin
- Idle state inserting function
- Bus arbitration function
- Bus hold function

5. INTERRUPT/EXCEPTION HANDLING

5.1 Features

- Interrupts
 - Non-maskable : 1 source
 - Maskable : 16 sources
 - 8-level programmable priority control
 - Multiplexed processing control according to priority
 - Masking each maskable interrupt request
 - Valid edge specification for external interrupt request
- Exceptions
 - Software exception : 32 sources
 - Exception trap : 1 source (illegal instruction code exception)

5.2 Configuration



XX: Identification name for each peripheral unit (OV, P1, CM, CS, SE, SR, ST, P0, CS)
 n : Peripheral unit number (0 to 4)

Table 5-1. Interrupts

Type	Class	Interrupt/Exception Causes				Default Priority	Exception Code	Handler Address	Restore PC
		Name	Control Register	Generation Cause	Generating Unit				
Reset	Interrupt	RESET	—	Reset input	—	—	0000H	00000000H	Undefined
Non-maskable	Interrupt	NMI	—	NMI input	—	—	0010H	00000010H	next PC
Software exception	Exception	TRAP0n ^{Note}	—	TRAP instruction	—	—	004n ^{Note} H	00000040H	next PC
	Exception	TRAP1n ^{Note}	—	TRAP instruction	—	—	005n ^{Note} H	00000050H	next PC
Exception trap	Exception	ILGOP	—	Illegal instruction code	—	—	0060H	00000060H	next PC
Maskable	Interrupt	INTOV1	OVIC1	Timer 1 overflow	RPU	0	0080H	00000080H	next PC
	Interrupt	INTP10/INTCC10	P1IC0	Match of INTP10 & CC10	Pin/RPU	1	0090H	00000090H	next PC
	Interrupt	INTP11/INTCC11	P1IC1	Match of INTP11 & CC11	Pin/RPU	2	00A0H	000000A0H	next PC
	Interrupt	INTP12/INTCC12	P1IC2	Match of INTP12 & CC12	Pin/RPU	3	00B0H	000000B0H	next PC
	Interrupt	INTP13/INTCC13	P1IC3	Match of INTP13 & CC13	Pin/RPU	4	00C0H	000000C0H	next PC
	Interrupt	INTCM4	CMIC4	Match of CM4	RPU	5	00D0H	000000D0H	next PC
	Interrupt	INTCSI0	CSIC0	CSI0 transmit/receive completion	SIO	6	00E0H	000000E0H	next PC
	Interrupt	INTSER0	SEIC0	UART0 receive error	SIO	7	00F0H	000000F0H	next PC
	Interrupt	INTSR0	SRIC0	UART0 receive completion	SIO	8	0100H	00000100H	next PC
	Interrupt	INTST0	STIC0	UART0 transmit completion	SIO	9	0110H	00000110H	next PC
	Interrupt	INTP00	P0IC0	INTP00 pin	Pin	10	0120H	00000120H	next PC
	Interrupt	INTP01	P0IC1	INTP01 pin	Pin	11	0130H	00000130H	next PC
	Interrupt	INTP02	P0IC2	INTP02 pin	Pin	12	0140H	00000140H	next PC
	Interrupt	INTP03	P0IC3	INTP03 pin	Pin	13	0150H	00000150H	next PC
	Interrupt	INTCSI1	CSIC1	CSI1 transmit/receive completion	SIO	14	0160H	00000160H	next PC
Interrupt	INTCSI2	CSIC2	CSI2 transmit/receive completion	SIO	15	0170H	00000170H	next PC	

Note The "n" in the "Software exception" rows is a value from 0 to FH.

Remarks 1. Default priority: Priority used when two or more maskable interrupt requests having the same priority are simultaneously generated. 0 indicates the highest priority.

Restore PC: PC value saved to EIPC or FEPC when interrupt/exception processing is started. However, the restore PC value saved if an interrupt is accepted while the DIVH (division) instruction is being executed is the PC value of the current instruction (DIVH).

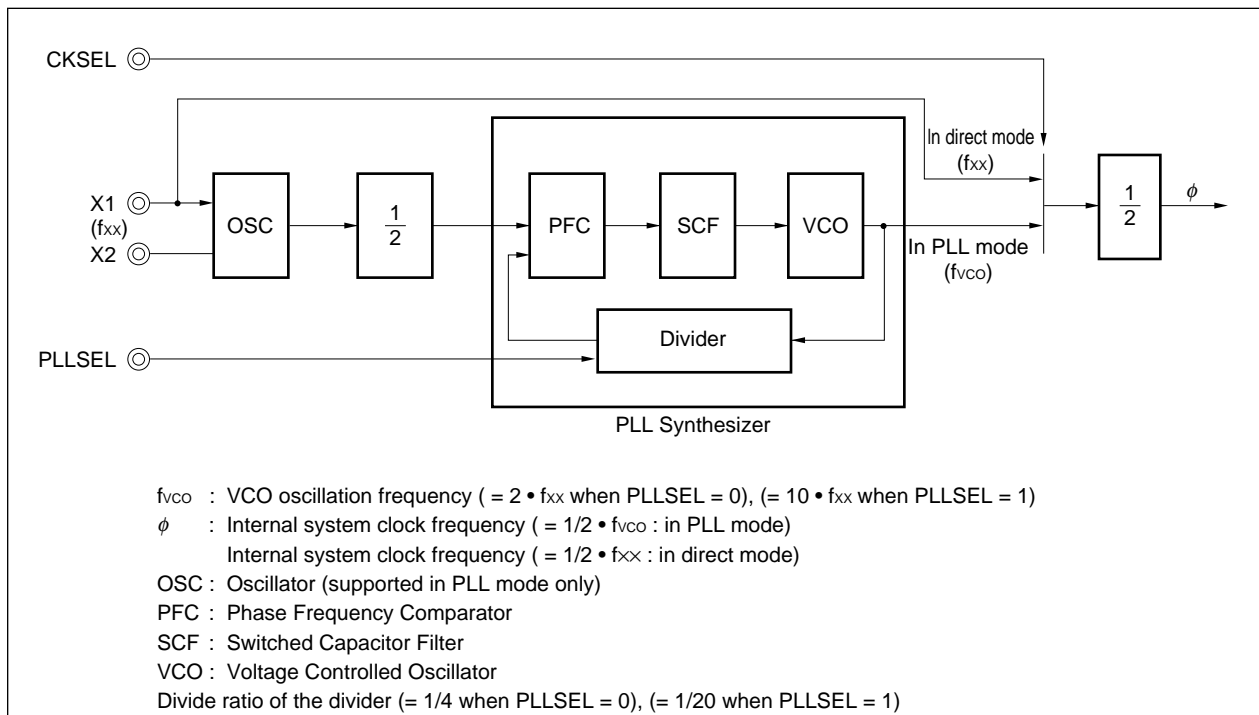
2. The execution address of an illegal instruction when an illegal instruction code exception occurs can be calculated as (restore PC-4).

6. CLOCK GENERATOR

6.1 Features

- Multiply function by PLL clock synthesizer ($f_{xx} = \phi$ or $f_{xx} = \phi/5$)
- Direct mode directly to input external clock
- Power save mode
 - HALT mode
 - IDLE mode
 - Software STOP mode
- Clock output inhibit function

6.2 Configuration



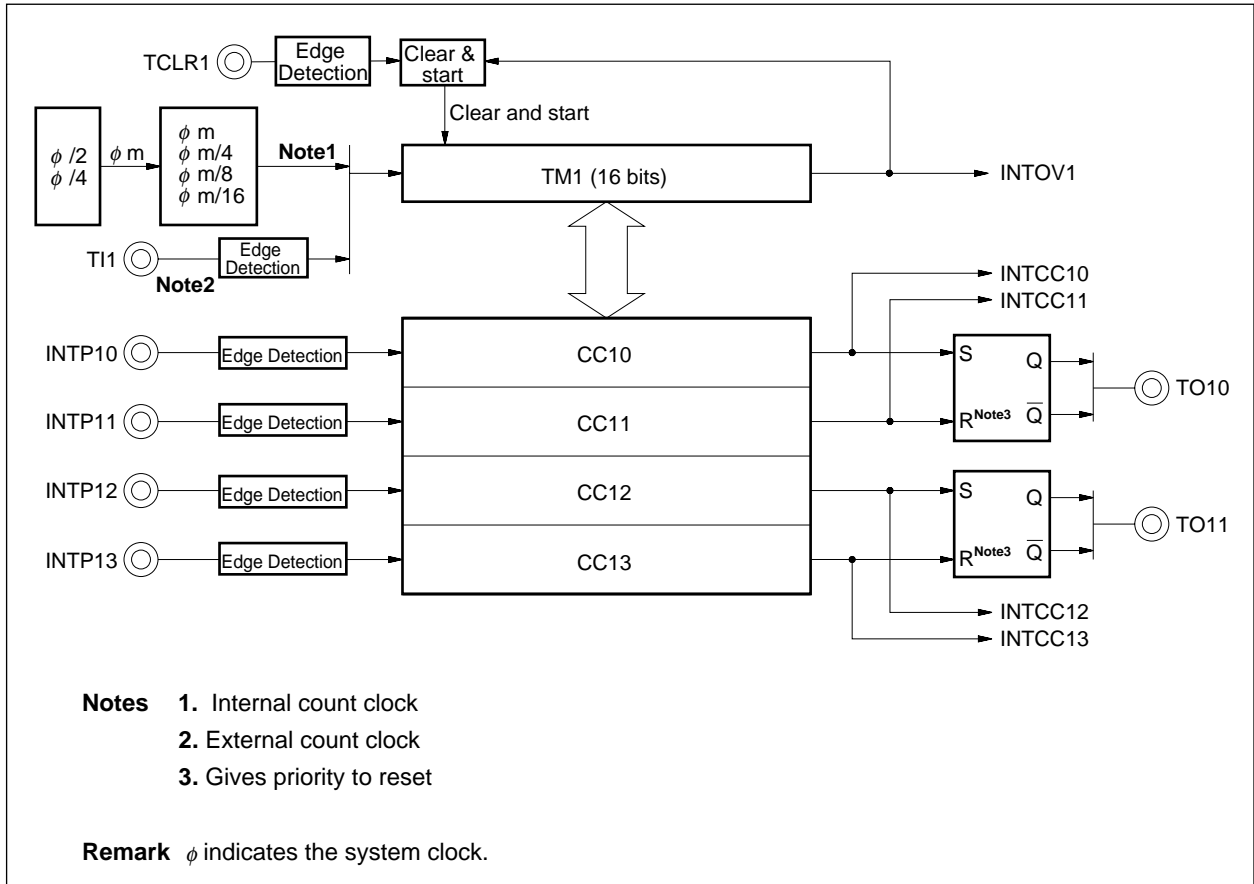
7. TIMER/COUNTER FUNCTION (REAL-TIME PULSE UNIT)

7.1 Features

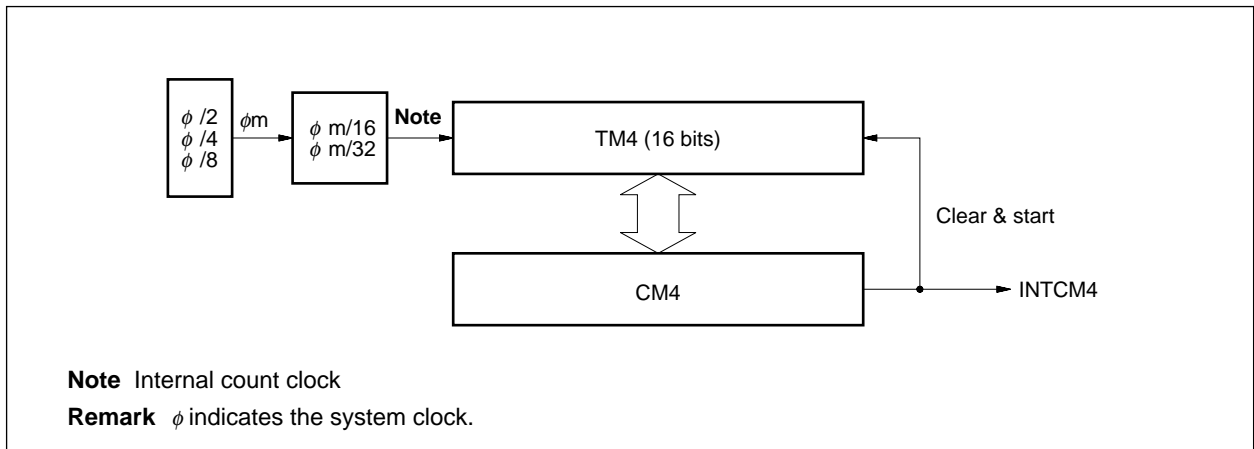
- Pulse interval and frequency measurement and output of programmable pulse
 - 16-bit measurement possible
 - Pulse can be generated in various shapes (interval pulse, one-shot pulse)
- Timer 1
 - 16-bit timer/event counter
 - Sources of count clock: 2 types (divided system clock or external pulse input)
 - Capture/compare registers: 4
 - Count clear pin: TCLR1
 - Interrupt sources: 5
 - External pulse output: 2
- Timer 4
 - 16-bit interval timer
 - Count clock selected from divided system clock
 - Compare register: 1
 - Interrupt source: 1

7.2 Configuration

(1) Timer 1 (16-bit timer/event counter)



(2) Timer 4 (16-bit interval timer)



8. SERIAL INTERFACE FUNCTION (SIO)

8.1 Features

The μ PD703002 is provided with four independent serial interface channels.

- (1) Asynchronous serial interface (UART): 1 channel
- (2) Clocked synchronous serial interface (CSI0 to CSI2): 3 channels

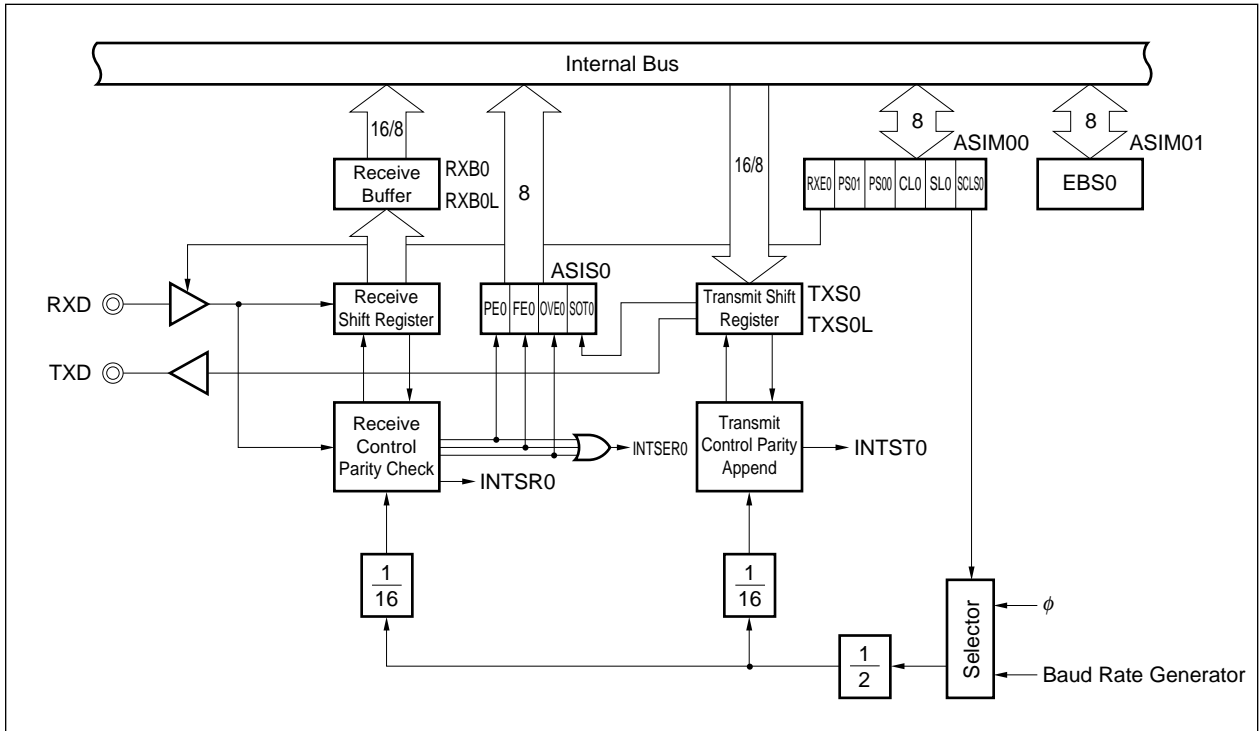
8.2 Asynchronous Serial Interface (UART)

8.2.1 Features

- Transfer rate: 110 to 38400 bps (with BRG, when $\phi = 25$ MHz)
Up to 781 Kbps (with $\phi/2$, when $\phi = 25$ MHz)
- Full-duplex communication
- 2-pin configuration
TXD: Transmit data output pin
RXD: Receive data input pin
- Receive error detection function
 - Parity error
 - Framing error
 - Overrun error
- Three interrupt sources
 - Receive error interrupt (INTSER0)
 - Reception completion interrupt (INTSR0)
 - Transmission completion interrupt (INTST0)
- Character length of transmission/reception data is specified by setting ASIM00, ASIM01 register.
- Character length : 7, 8 bits
9 bits (with extended bit appended)
- Parity function : odd, even, 0, none
- Transmission stop bit: 1 or 2 bits
- Baud rate generator

Remark ϕ indicates the system clock

8.2.2 Configuration



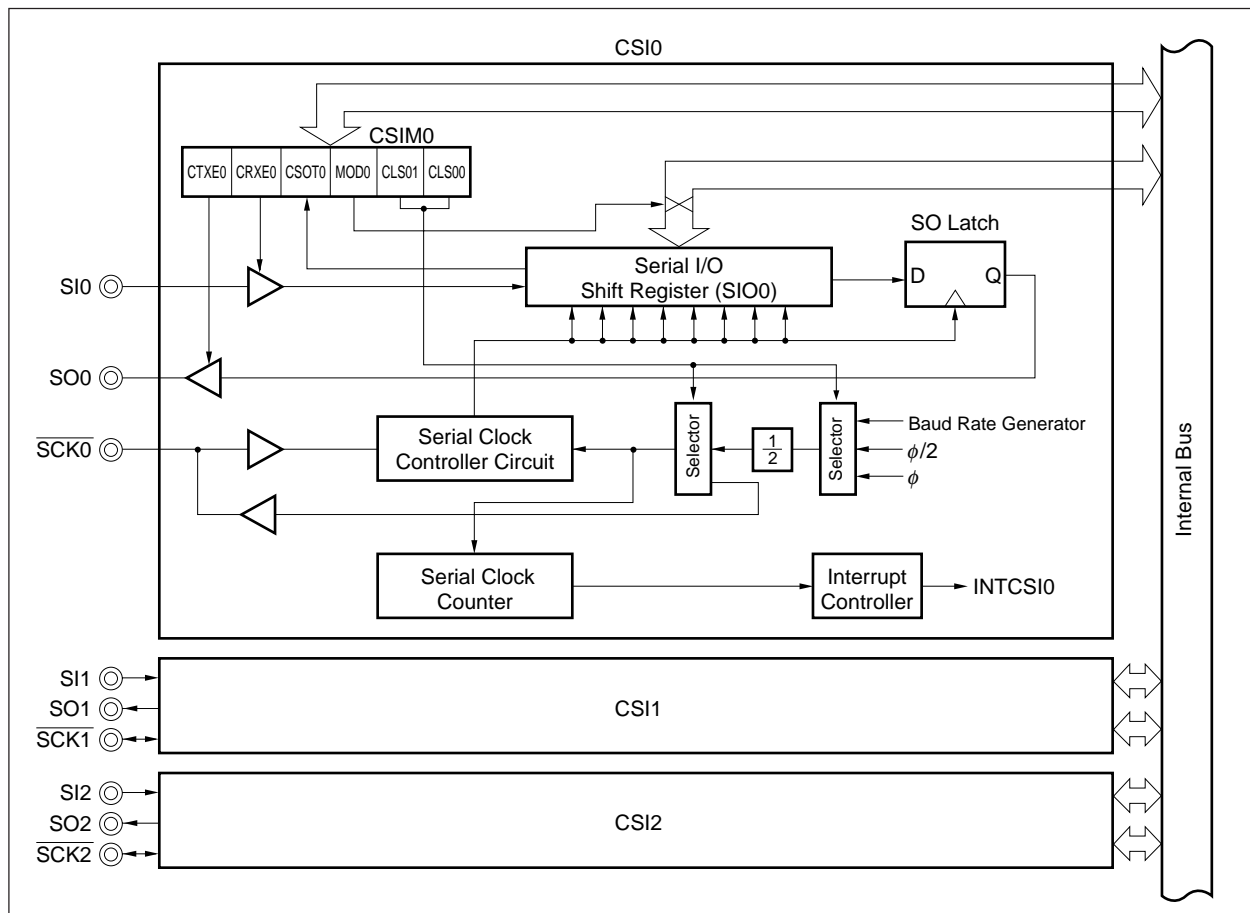
8.3 Clocked Serial Interface 0 to 2 (CSI0 to CSI2)

8.3.1 Features

- Number of channels: 3 (CSIn)
- High-speed transfer rate
6.25 Mbps MAX. (with $\phi/2$, $\phi = 25$ MHz)
- Half-duplex communication
- Data length of 8 bits
- MSB first/LSB first can be switched for data
- Selection of external serial clock input/internal serial clock output
- Three pins used
 SOn : Serial data output pin
 SIn : Serial data input pin
 SCKn : Serial clock I/O pin
- Three interrupt sources
 - Interrupt request signal (INTCSIn)

Remark 1. ϕ indicates the system clock.
 2. n = 0 to 2

8.3.2 Configuration

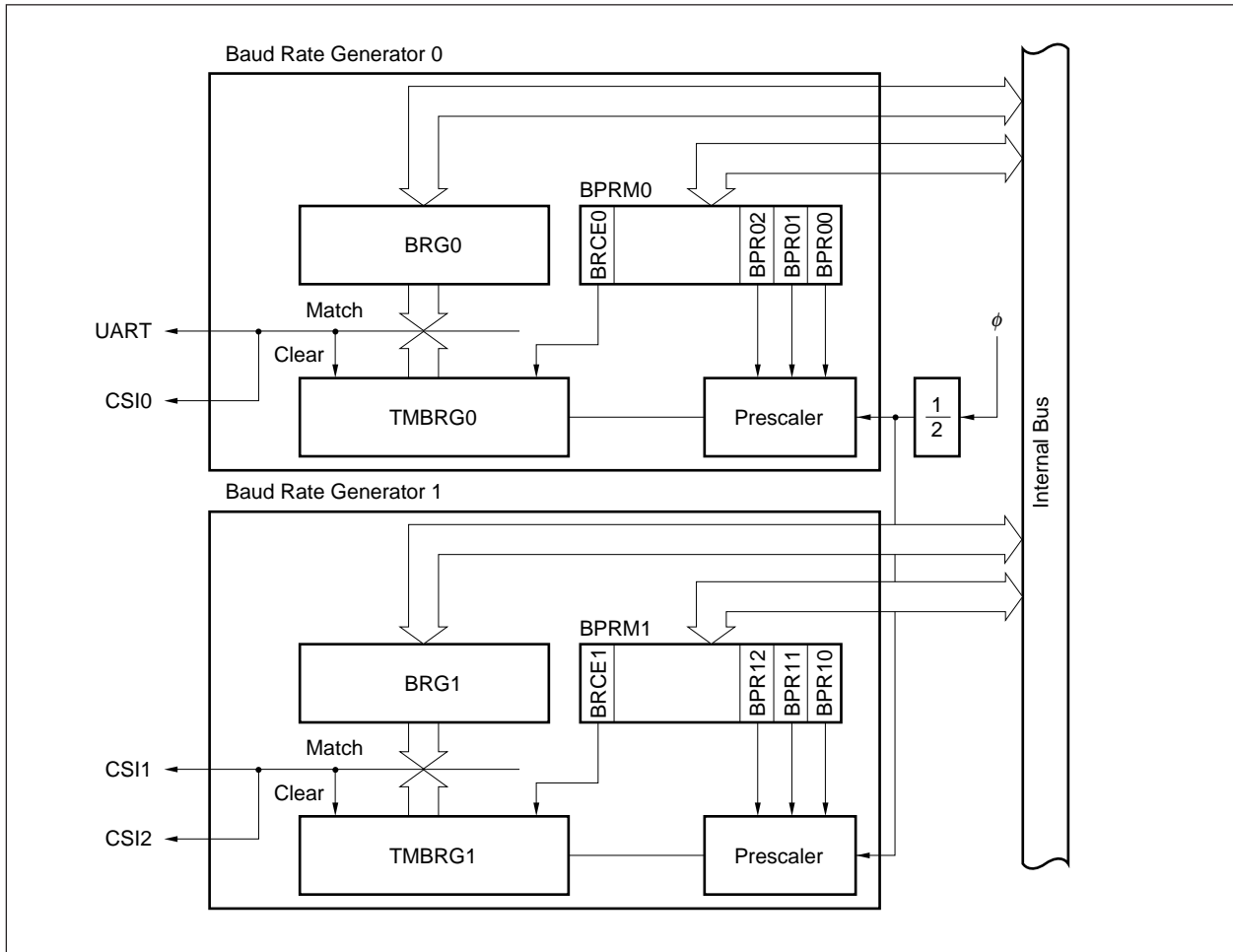


8.4 Baud Rate Generator 0, 1 (BRG0, BRG1)

8.4.1 Features

- Serial clock selectable from baud rate generator output and φ (system clock)
- Same baud rate for transmission/reception

8.4.2 Configuration



9. PORT FUNCTION

9.1 Features

The ports of the μPD703002 have the following features:

- Number of port pins
 - Input port: 1
 - I/O port: 67
- Shared with I/O pins of other peripheral functions
- Input/output specifiable bitwise
- Noise elimination
- Edge detection

9.2 Configuration

Figure 9-1. Block Diagram of P00, P01 (Port 0)

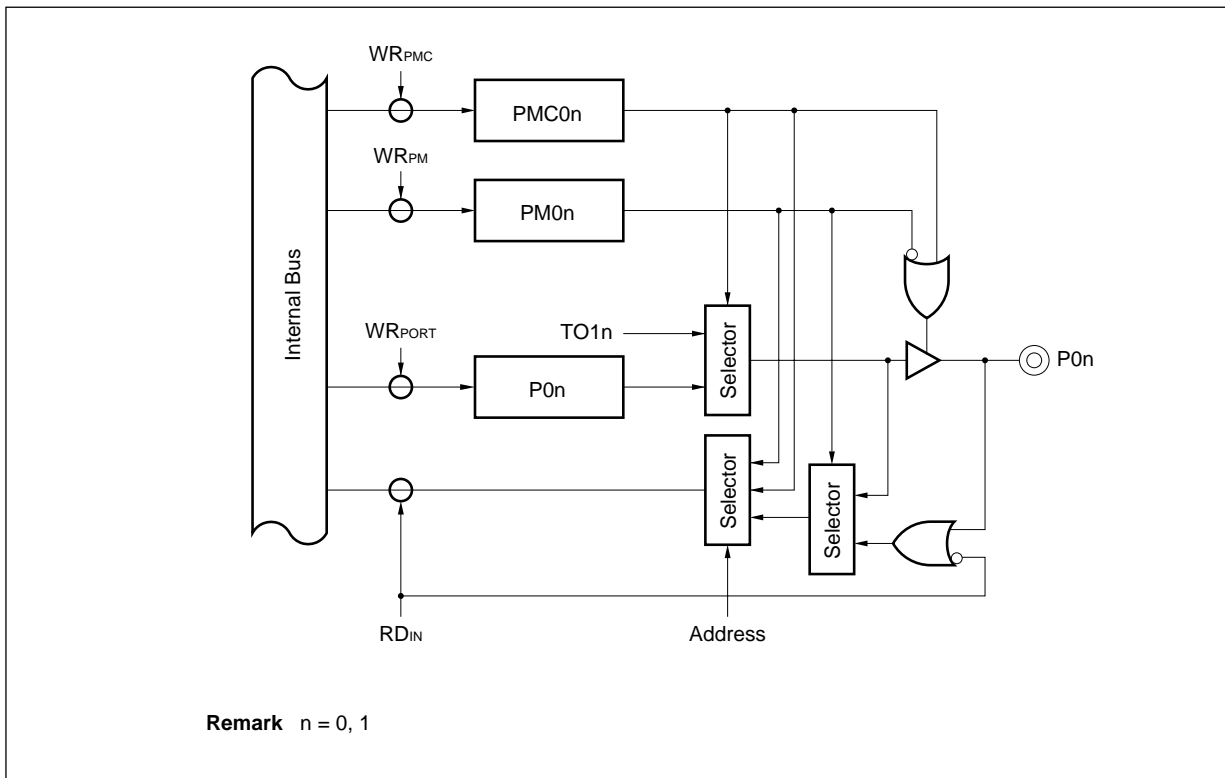


Figure 9-2. Block Diagram of P02 to P07 (Port 0)

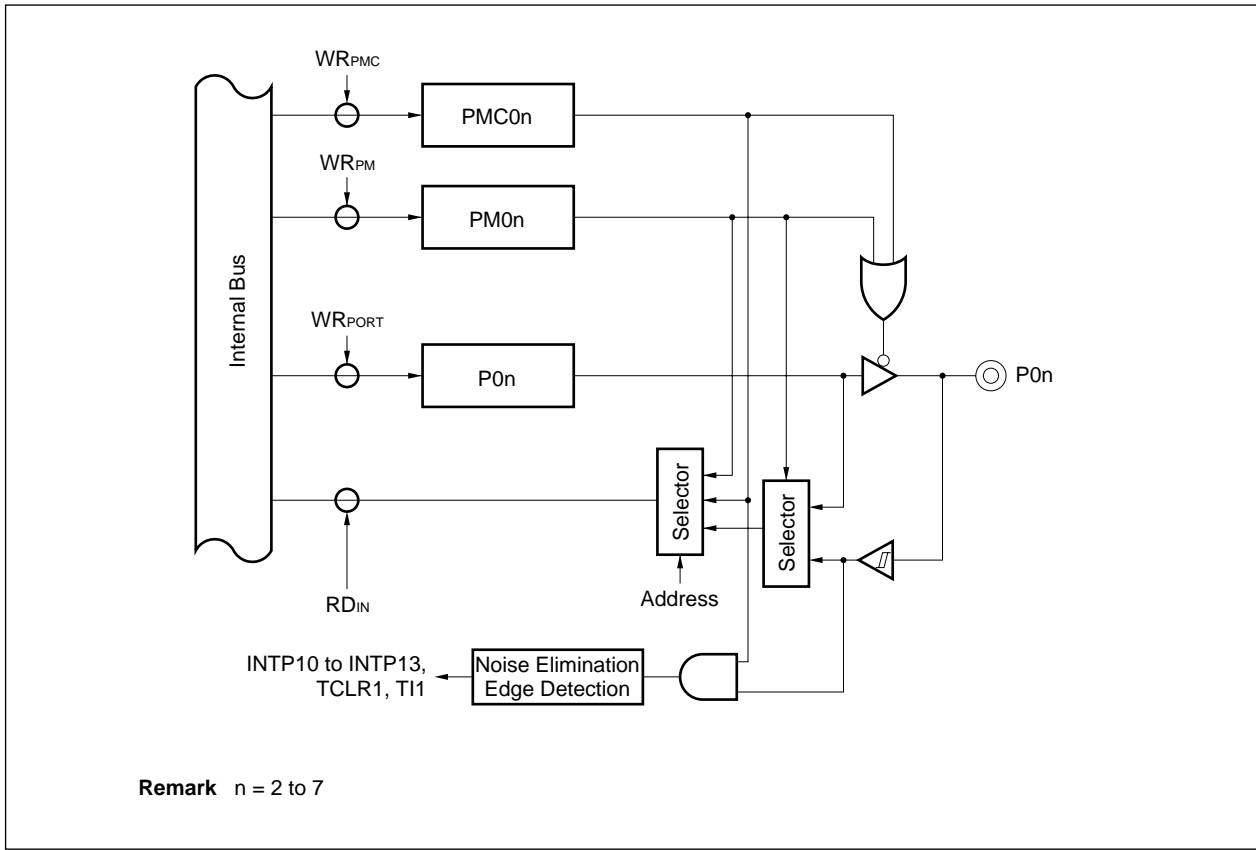


Figure 9-3. Block Diagram of P10 to P17 (Port 1)

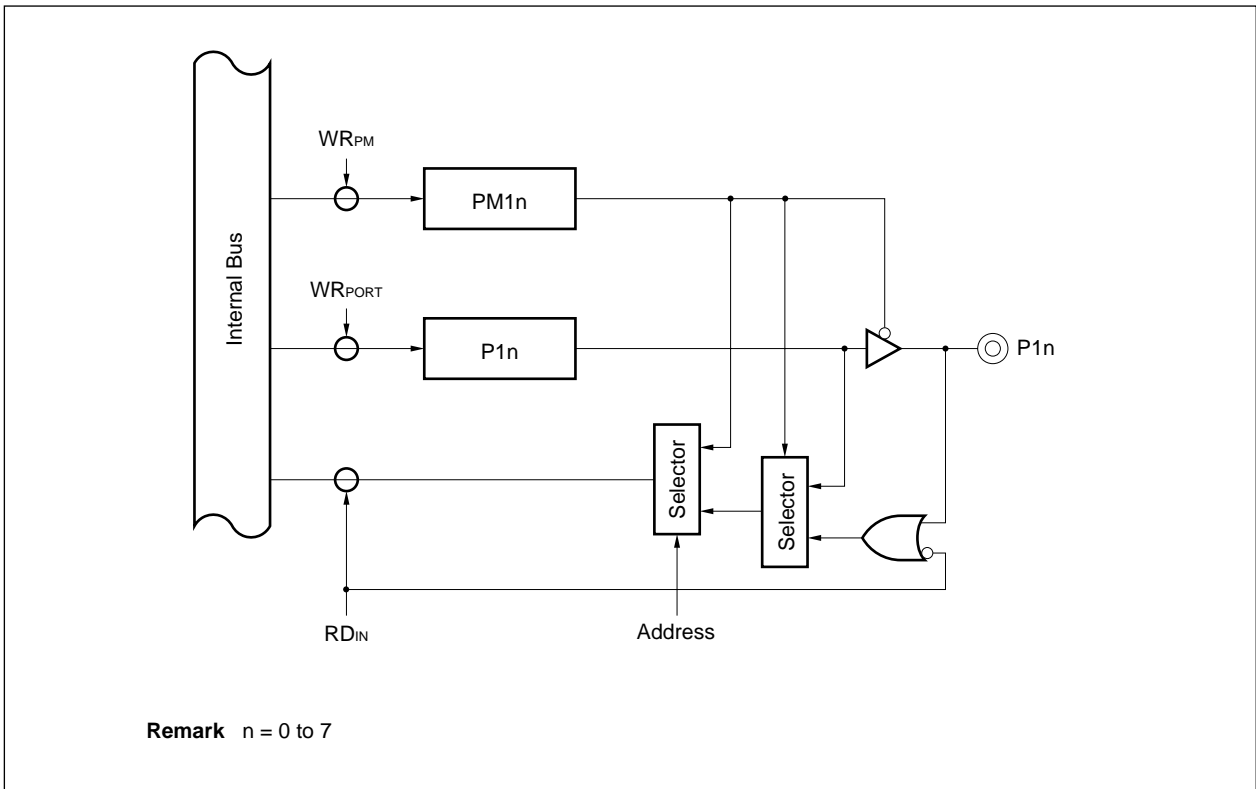


Figure 9-4. Block Diagram of P20 (Port 2)

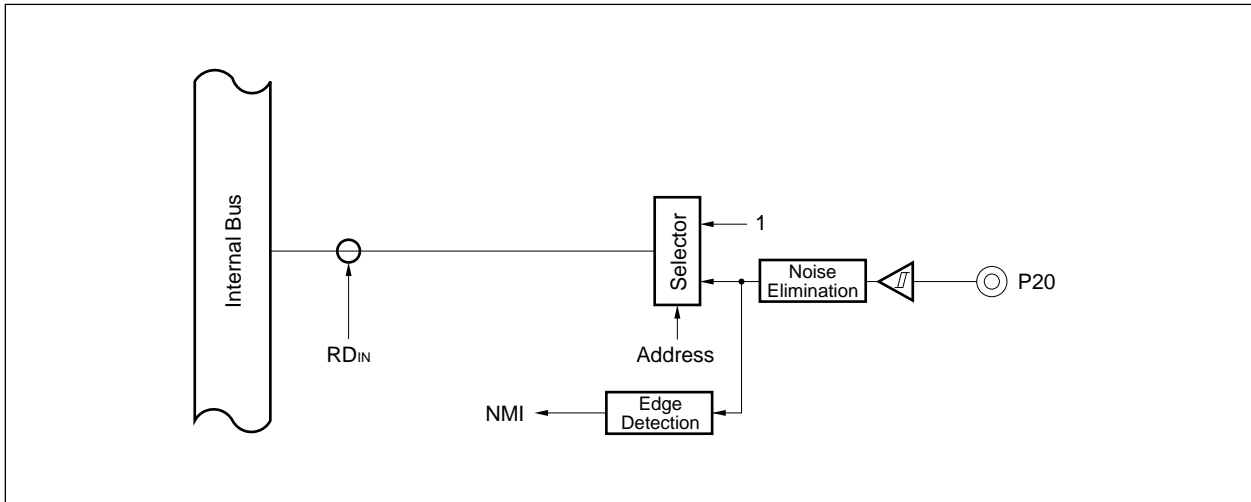
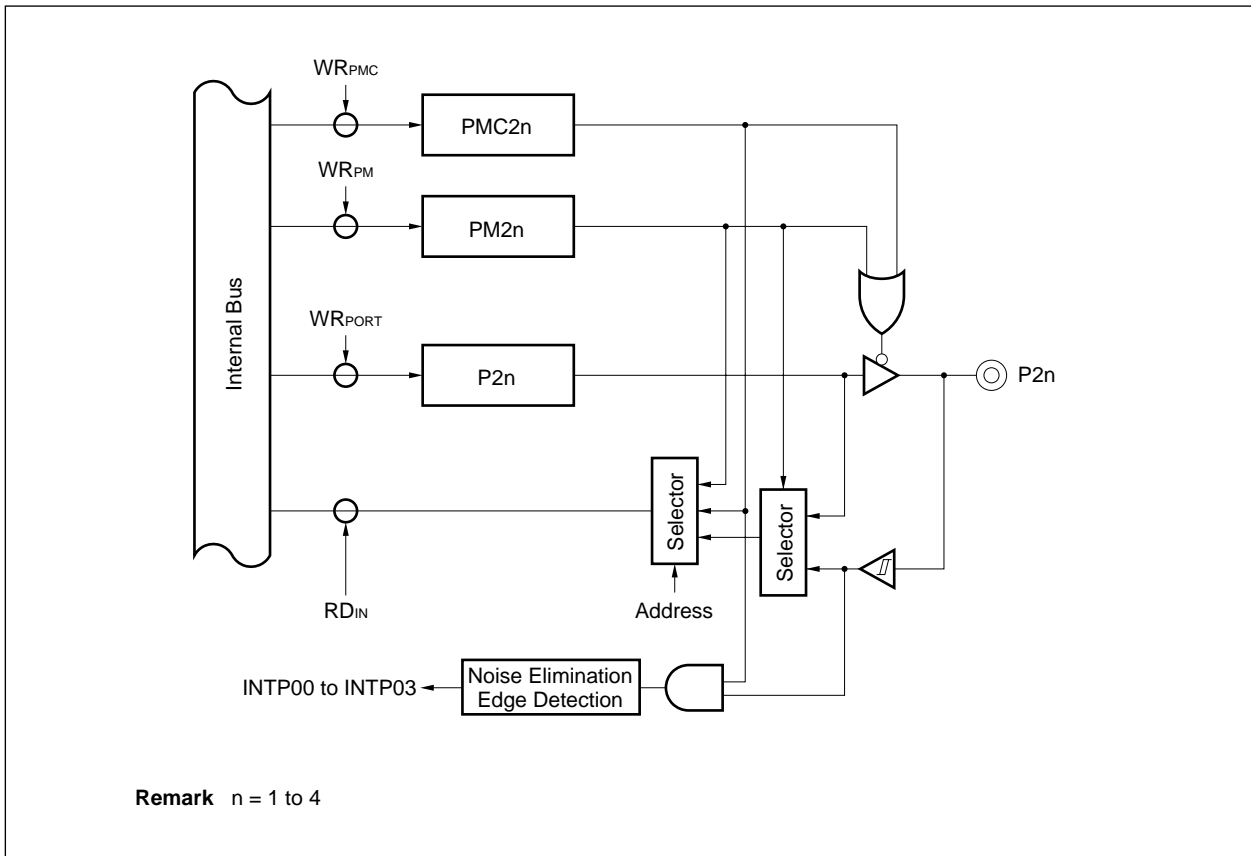


Figure 9-5. Block Diagram of P21 to P24 (Port 2)



Remark n = 1 to 4

Figure 9-6. Block Diagram of P25 (Port 2)

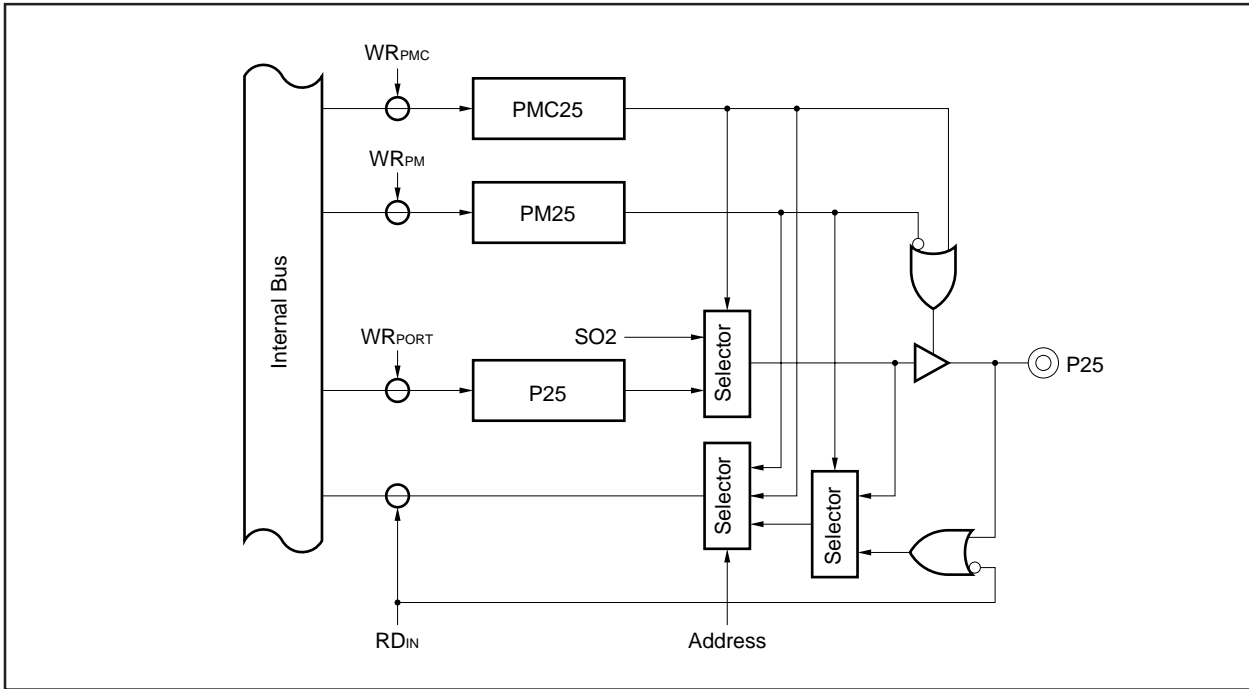


Figure 9-7. Block Diagram of P26 (Port 2)

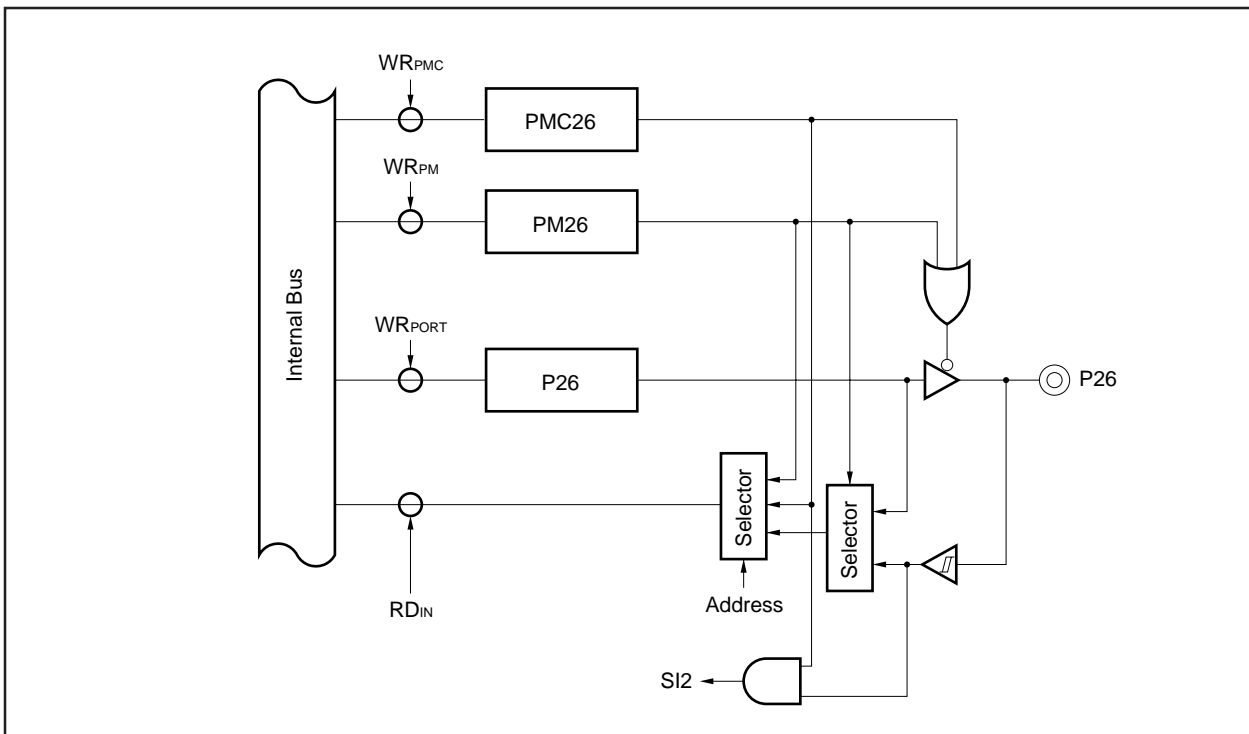


Figure 9-8. Block Diagram of P27 (Port 2)

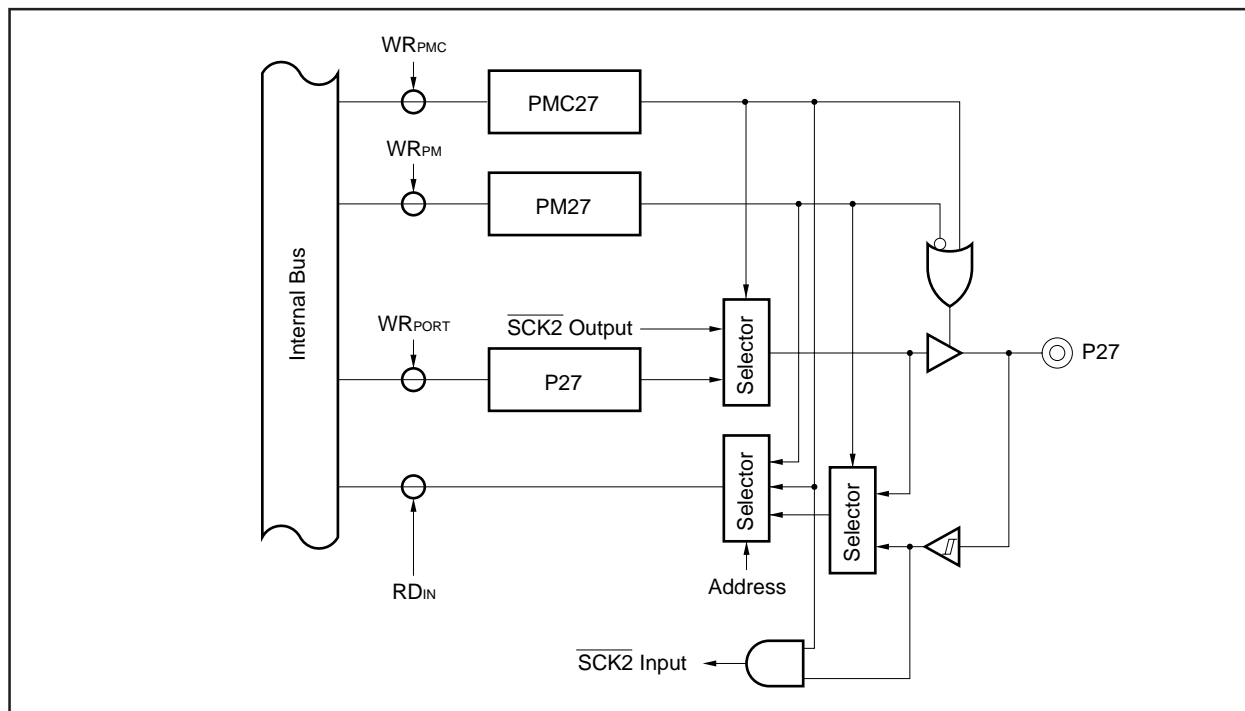


Figure 9-11. Block Diagram of P32, P37 (Port 3)

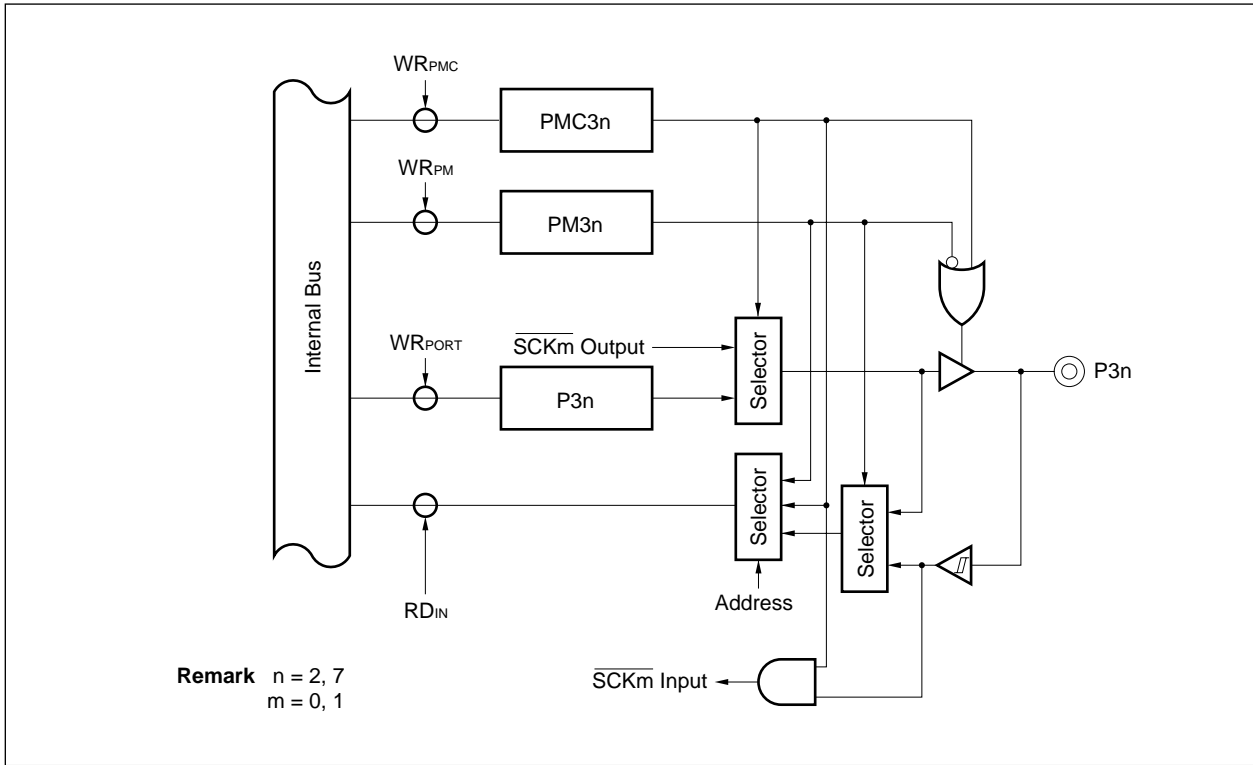


Figure 9-12. Block Diagram of P34 (Port 3)

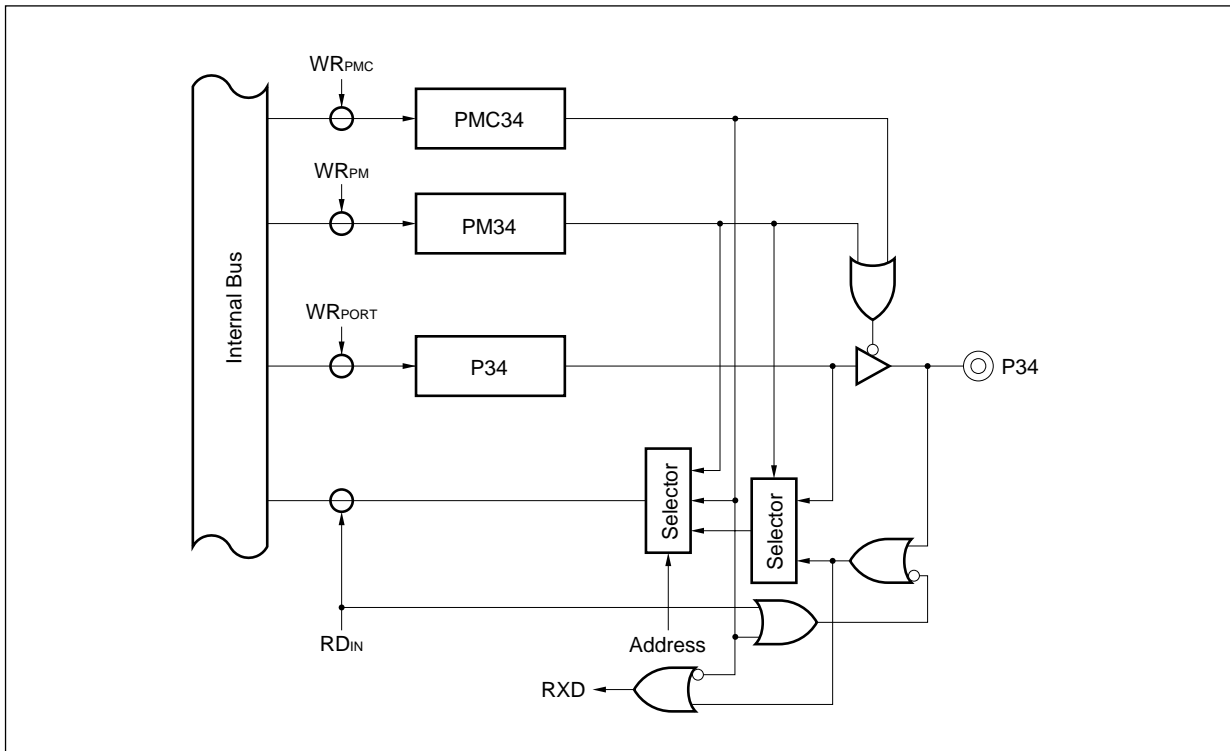


Figure 9-13. Block Diagram of P40 to P47 (Port 4)

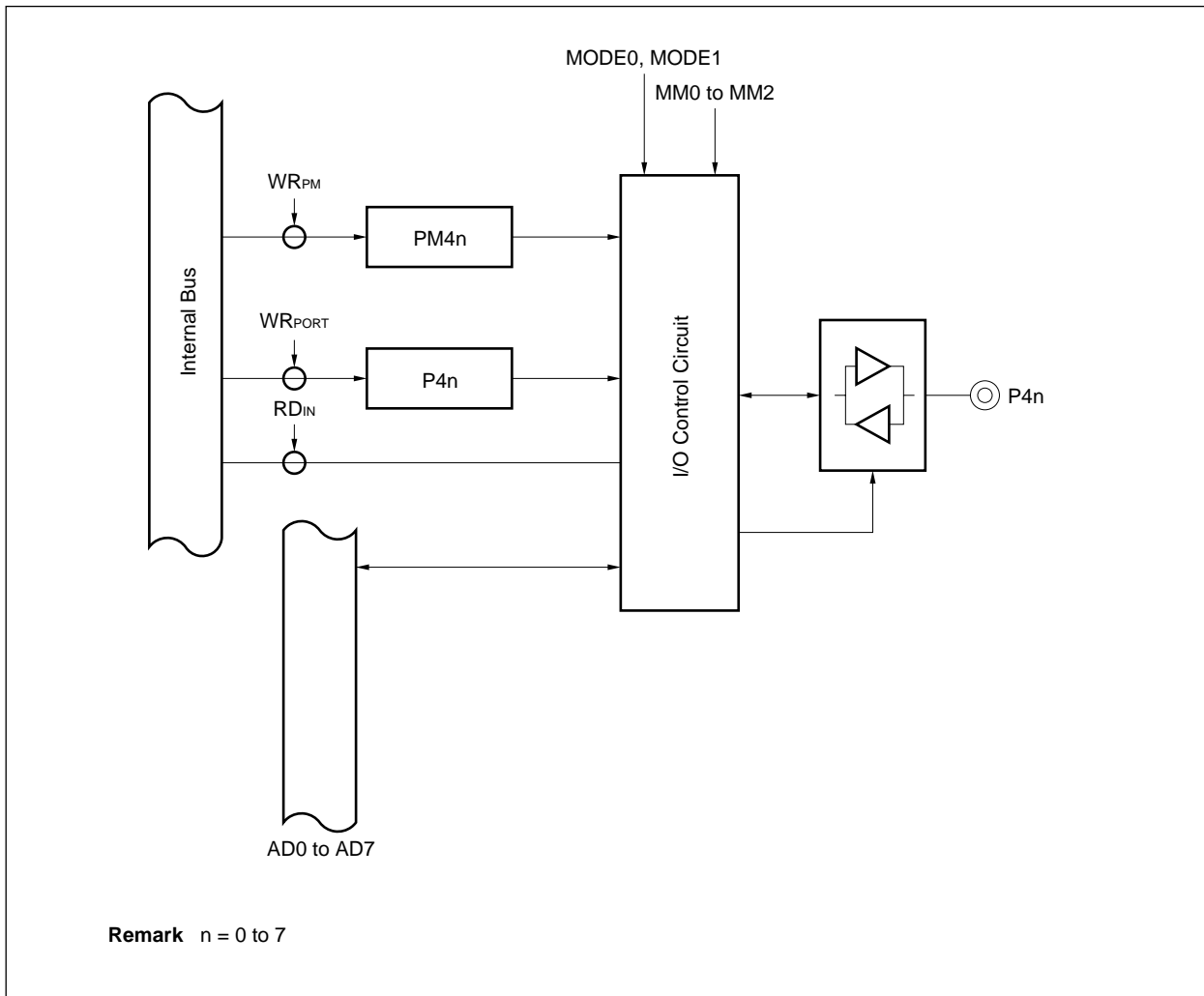


Figure 9-14. Block Diagram of P50 to P57 (Port 5)

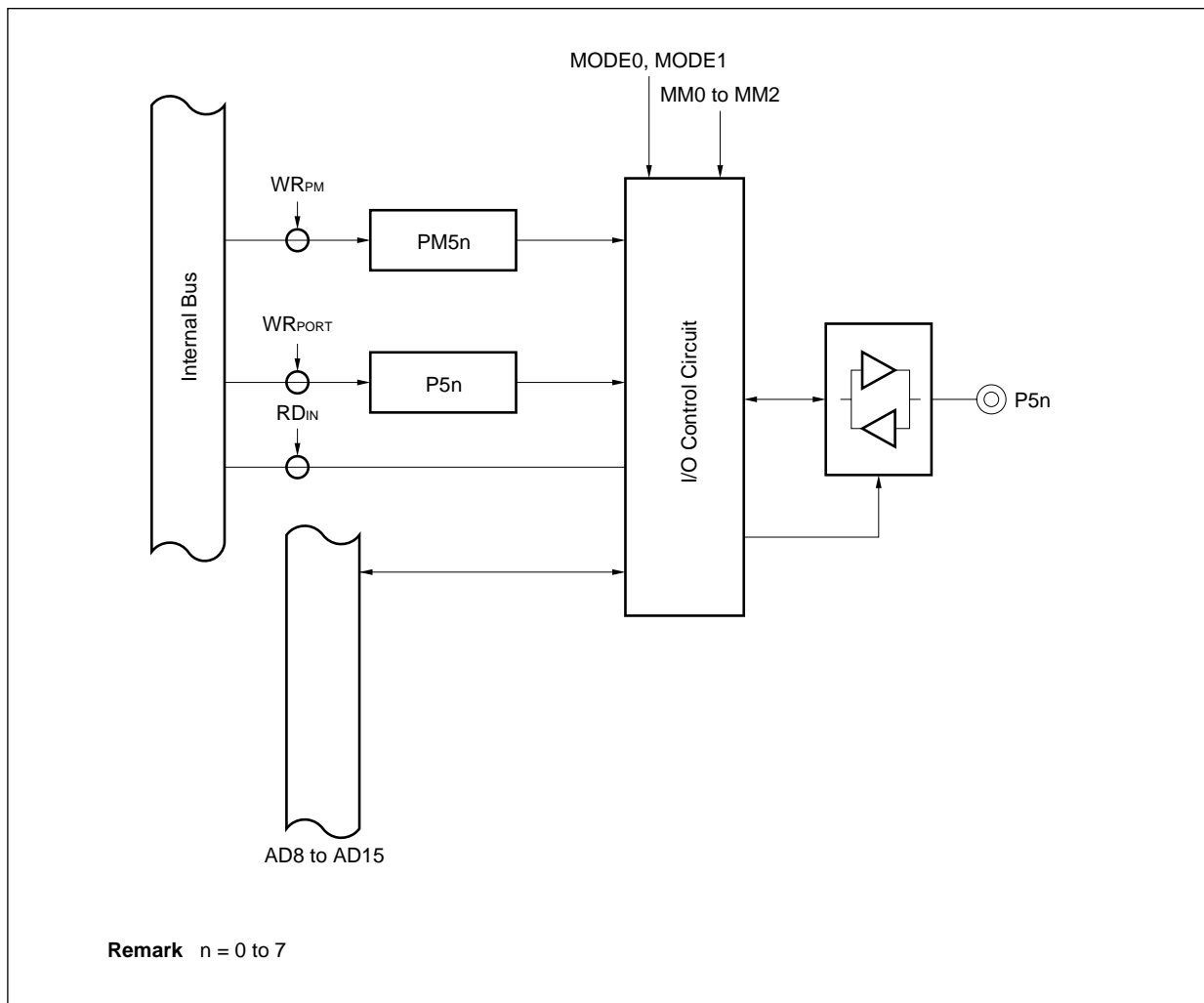


Figure 9-15. Block Diagram of P60 to P67 (Port 6)

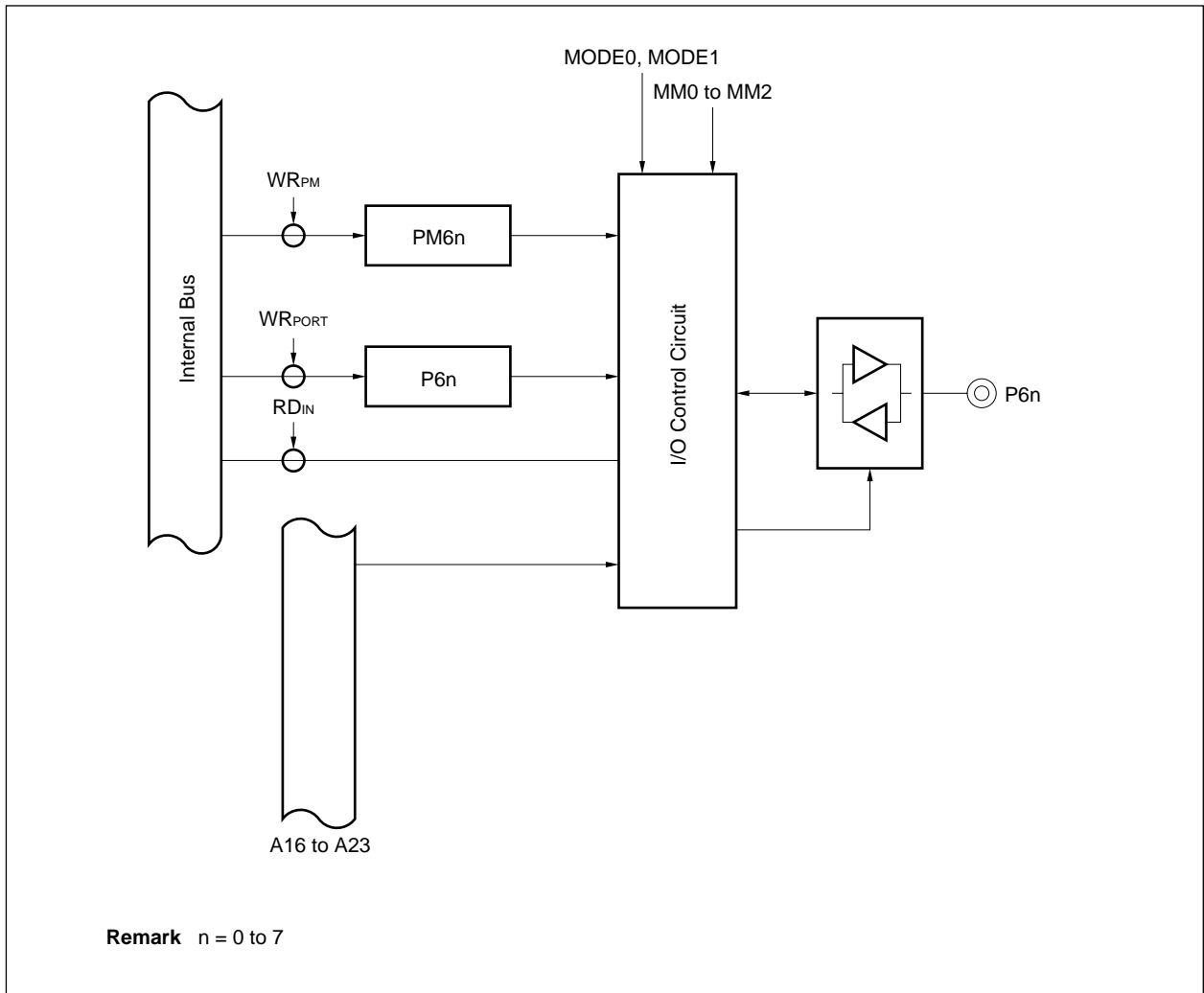


Figure 9-16. Block Diagram of P90 to P97 (Port 9)

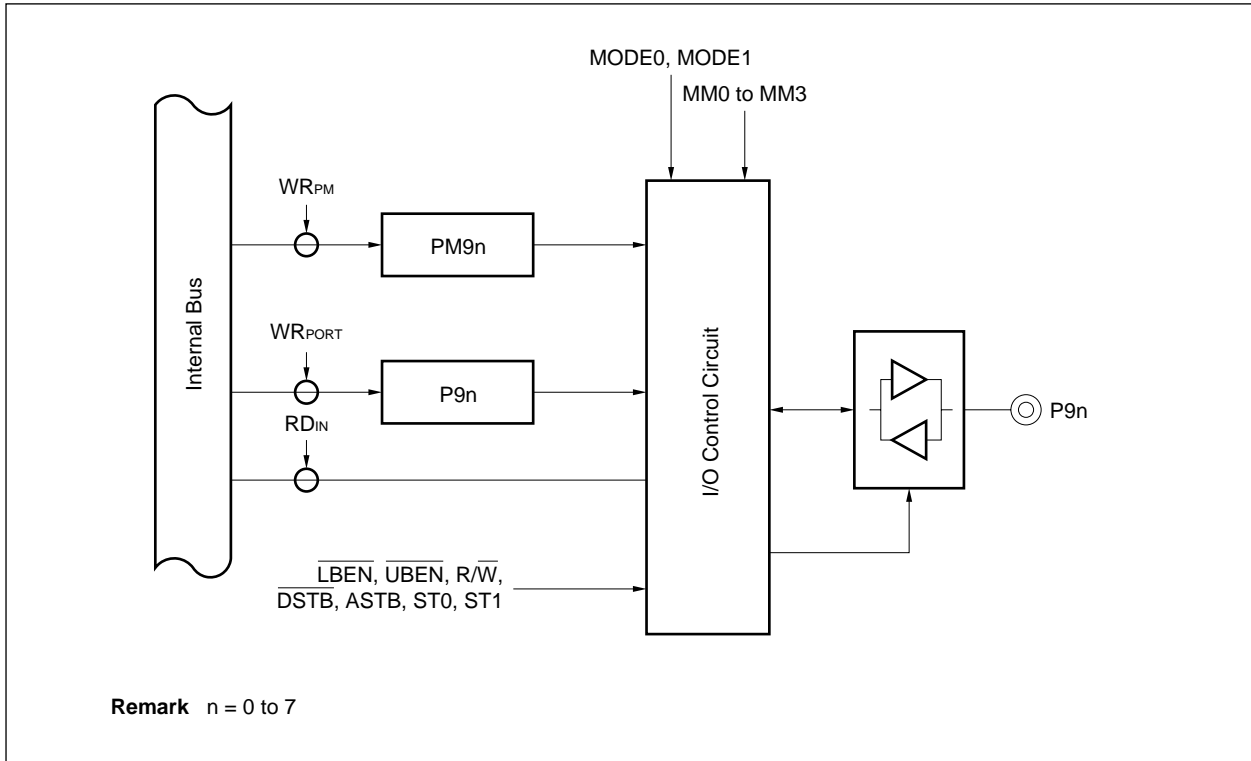


Figure 9-17. Block Diagram of P100, P103 (Port 10)

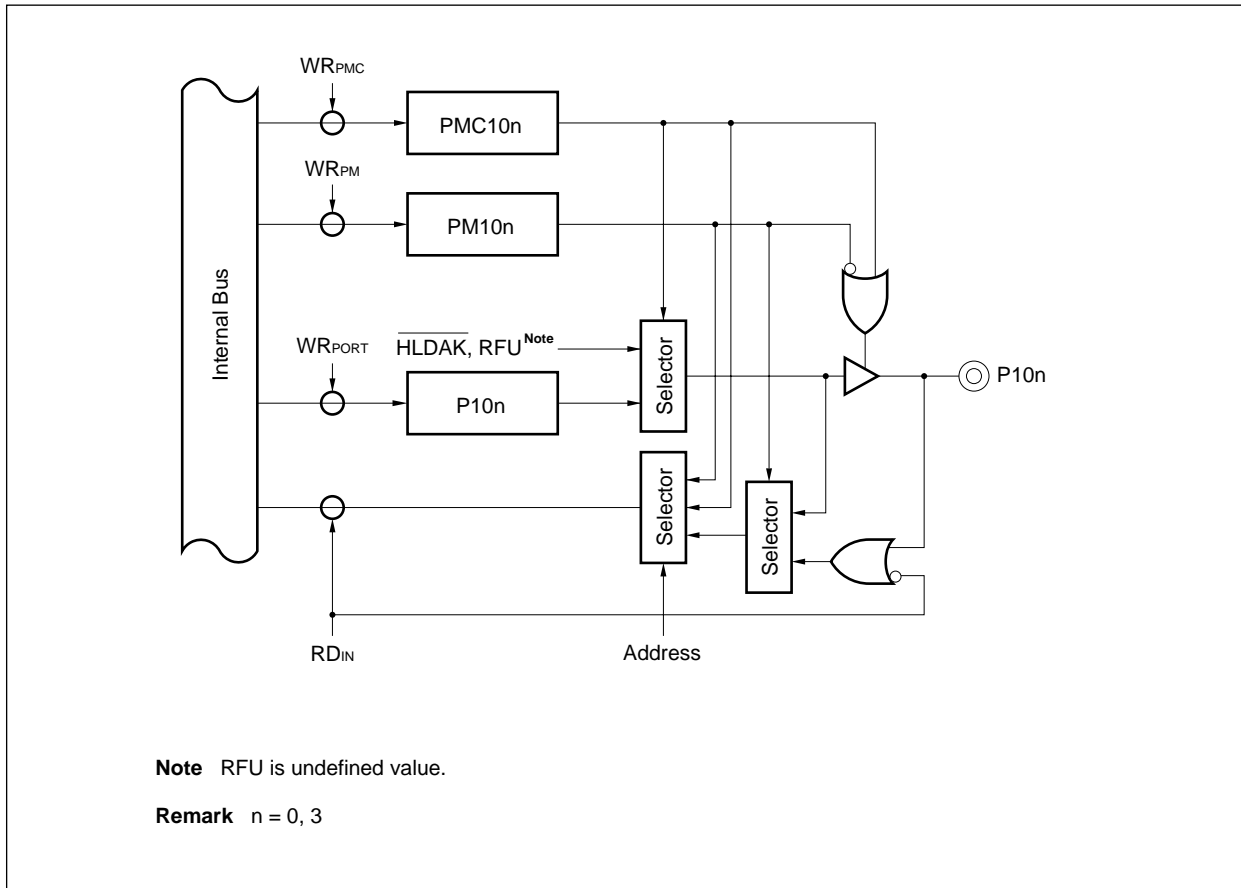


Figure 9-18. Block Diagram of P101 (Port 10)

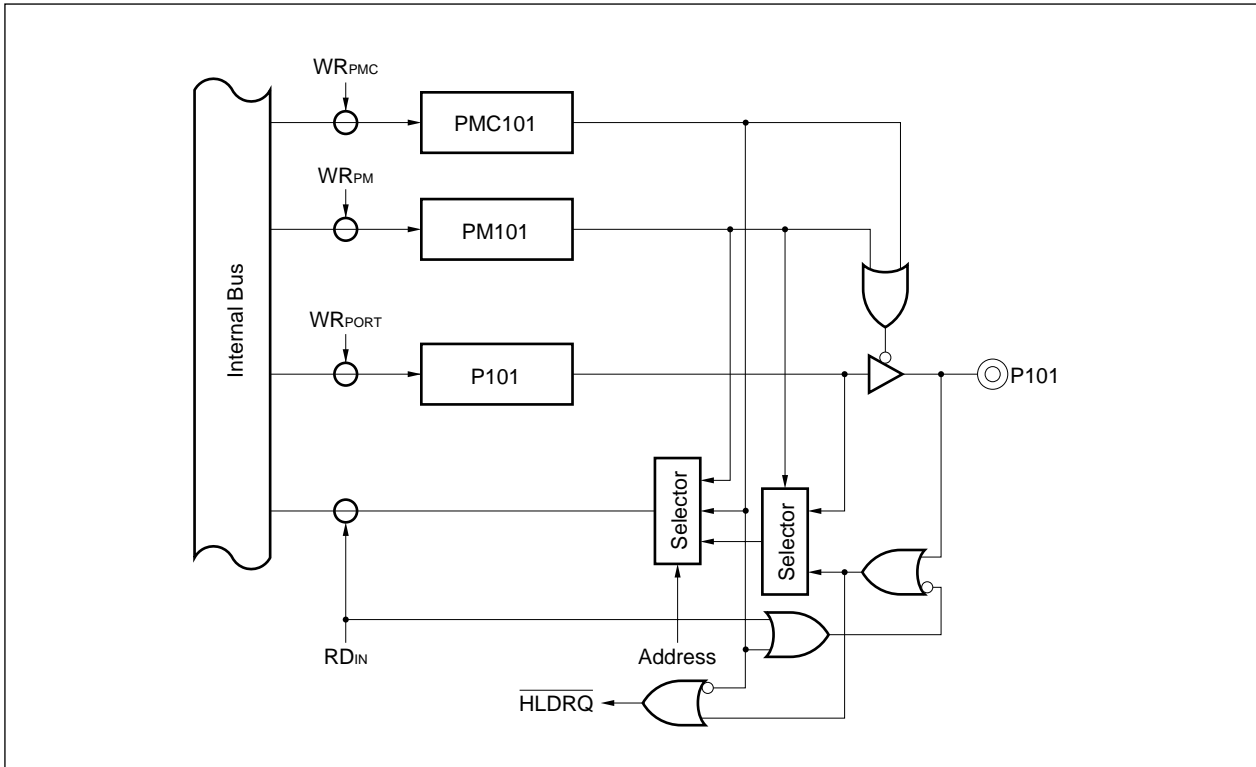
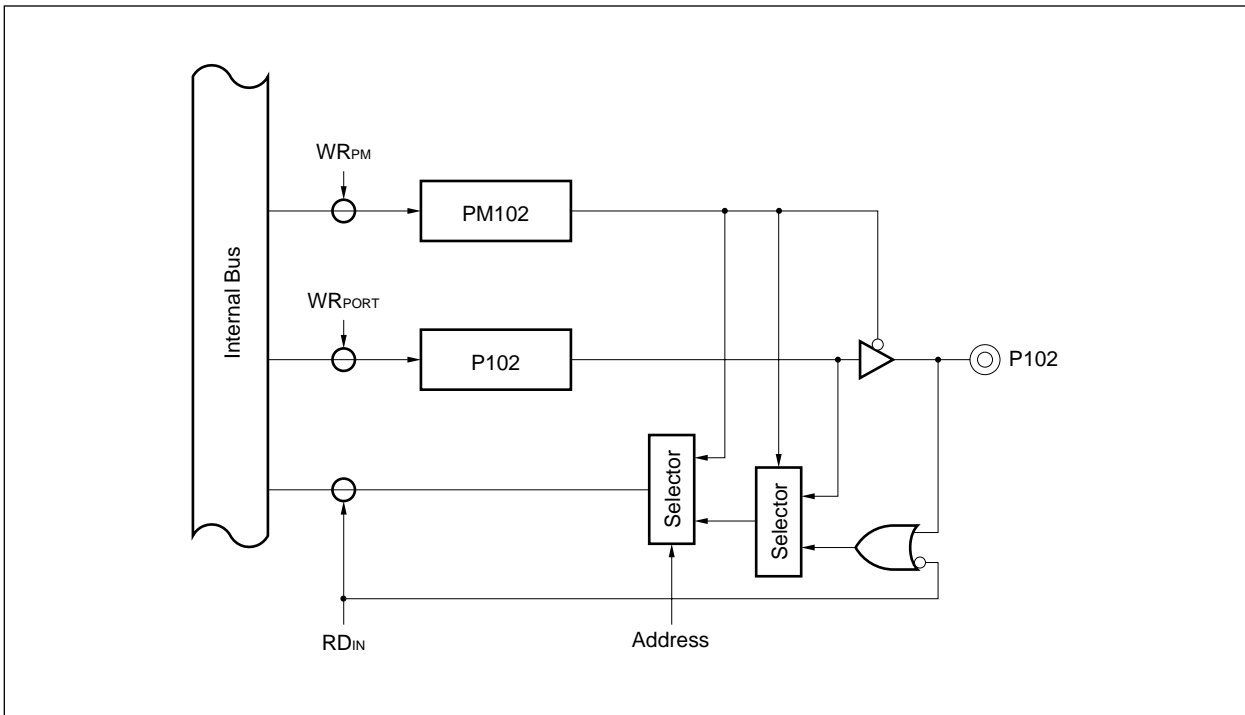


Figure 9-19. Block Diagram of P102 (Port 10)



10. RESET FUNCTION

When the $\overline{\text{RESET}}$ signal is made low, the system is reset, and the on-chip hardware units are initialized.

The reset status is cleared when the $\overline{\text{RESET}}$ signal is made high, and the CPU starts executing the program. Initialize the contents of each register in the program as necessary.

10.1 Features

- Noise elimination circuit of analog delay (60 to 220 ns) provided to the reset pin

11. INSTRUCTION SET

11.1 Instruction Set List

- How to read instruction set list

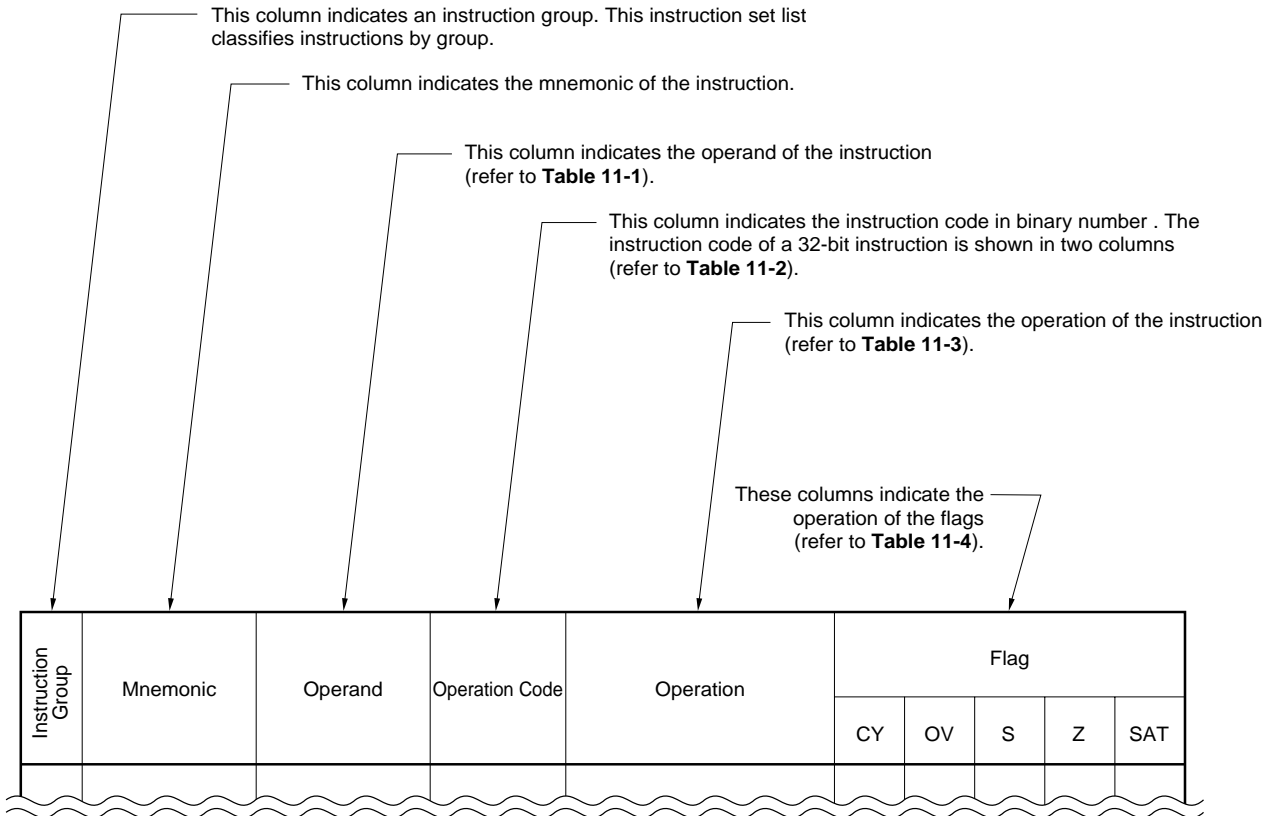


Table 11-1. Symbols Shown in "Operand" Column

Symbol	Description
reg1	General register (used as source register)
reg2	General register (mainly used as destination register. Some are also used as source registers)
ep	Element pointer
bit#3	3-bit data for bit number specification
immX	X-bit immediate
dispX	X-bit displacement
regID	System register number
vector	5-bit data specifying trap vector (00H through 1FH)
cccc	4-bit data indicating condition code

Table 11-2. Symbols Shown in "Operation Code" Column

Symbol	Meaning
R	1-bit-wise data of code specifying reg1 or regID
r	1-bit-wise data of code specifying reg2
d	1-bit-wise data of displacement
i	1-bit-wise data of immediate
cccc	4-bit data indicating condition code
bbb	3-bit data specifying bit number

Table 11-3. Symbols Shown in "Operation" Column

Symbol	Meaning
←	Assignment
GR []	General register
SR []	System register
zero-extend (n)	Zero-extends "n" to word length
sign-extend (n)	Sign-extends "n" to word length
load-memory (a, b)	Reads data of size "b" from address "a"
store-memory (a, b, c)	Writes data "b" of size "c" to address "a"
load-memory-bit (a, b)	Reads bit "b" of address "a"
store-memory-bit (a, b, c)	Writes "c" to bit "b" of address "a"
saturated (n)	Performs saturated processing of n (n is 2's complement) "n" indicates result of operation. If "n" ≥ 7FFFFFFFH, 7FFFFFFFH If "n" ≤ 80000000H, 80000000H
result	Reflects result on flag
Byte	Byte (8 bits)
Halfword	Halfword (16 bits)
Word	Word (32 bits)
+	Add
−	Subtract
	Bit concatenation
×	Multiply
÷	Divide
AND	Logical product
OR	Logical sum
XOR	Exclusive logical sum
NOT	Logical negation
logically shift left by	Logical left shift
logically shift right by	Logical right shift
arithmetically shift right by	Arithmetic right shift

Table 11-4. Symbols Shown in "Flag" Column

Identifier	Meaning
(blank)	Not affected
0	Cleared to 0
×	Set or cleared according to result
R	Value once saved is restored

Table 11-5. Condition Codes

Condition Name (cond)	Condition Code (cccc)	Conditional Expression	Meaning
V	0000	OV = 1	Overflow
NV	1000	OV = 0	No overflow
C/L	0001	CY = 1	Carry Lower (Less than)
NC/NL	1001	CY = 0	No carry Not lower (Greater than or equal)
Z/E	0010	Z = 1	Zero Equal
NZ/NE	1010	Z = 0	Not zero Not equal
NH	0011	(CY OR Z) = 1	Not higher (Less than or equal)
H	1011	(CY OR Z) = 0	Higher (Greater than)
N	0100	S = 1	Negative
P	1100	S = 0	Positive
T	0101	–	Always (unconditional)
SA	1101	SAT = 1	Saturated
LT	0110	(S XOR OV) = 1	Less than signed
GE	1110	(S XOR OV) = 0	Greater than or equal signed
LE	0111	((S XOR OV) OR Z) = 1	Less than or equal signed
GT	1111	((S XOR OV) OR Z) = 0	Greater than signed

Instruction Set List

Instruction Group	Mnemonic	Operand	Operation Code	Operation	Flag				
					CY	OV	S	Z	SAT
Load/store	SLD.B	disp7[ep], reg2	rrrrr0110ddddddd	adr←ep+zero-extend(disp7) GR[reg2]←sign-extend(Load-memory(adr, Byte))					
	SLD.H	disp8[ep], reg2	rrrrr1000ddddddd	adr←ep+zero-extend(disp8) Note 1 GR[reg2]←sign-extend(Load-memory(adr, Halfword))					
	SLD.W	disp8[ep], reg2	rrrrr1010ddddddd0	adr←ep+zero-extend(disp8) Note 2 GR[reg2]←Load-memory(adr, Word)					
	LD.B	disp16[reg1], reg2	rrrrr111000RRRRR ddddddddddddddd	adr←GR[reg1]+sign-extend(disp16) GR[reg2]←sign-extend(Load-memory(adr, Byte))					
	LD.H	disp16[reg1], reg2	rrrrr111001RRRRR ddddddddddddddd0	adr←GR[reg1]+sign-extend(disp16) Note 3 GR[reg2]←sign-extend(Load-memory(adr, Halfword))					
	LD.W	disp16[reg1], reg2	rrrrr111001RRRRR ddddddddddddddd1	adr←GR[reg1]+sign-extend(disp16) Note 3 GR[reg2]←Load-memory(adr, Word)					
	SST.B	reg2, disp7[ep]	rrrrr0111ddddddd	adr←ep+zero-extend(disp7) Store-memory(adr, GR[reg2], Byte)					
	SST.H	reg2, disp8[ep]	rrrrr1001ddddddd	adr←ep+zero-extend(disp8) Note 1 Store-memory(adr, GR[reg2], Halfword)					
	SST.W	reg2, disp8[ep]	rrrrr1010ddddddd1	adr←ep+zero-extend(disp8) Note 2 Store-memory(adr, GR[reg2], Word)					
	ST.B	reg2, disp16[reg1]	rrrrr111010RRRRR ddddddddddddddd	adr←GR[reg1]+sign-extend(disp16) Store-memory(adr, GR[reg2], Byte)					
	ST.H	reg2, disp16[reg1]	rrrrr111011RRRRR ddddddddddddddd0	adr←GR[reg1]+sign-extend(disp16) Note 3 Store-memory(adr, GR[reg2], Halfword)					
	ST.W	reg2, disp16[reg1]	rrrrr111011RRRRR ddddddddddddddd1	adr←GR[reg1]+sign-extend(disp16) Note 3 Store-memory(adr, GR[reg2], Word)					
	Arithmetic	MOV	reg1, reg2	rrrrr00000RRRRR	GR[reg2]←GR[reg1]				
MOV		imm5, reg2	r r r r r 0 1 0 0 0 0 i i i i	GR[reg2]←sign-extend(imm5)					
MOVHI		imm16, reg1, reg2	rrrrr110010RRRRR i i i i i i i i i i i i i i	GR[reg2]←GR[reg1]+(imm16 0 ¹⁶)					
MOVEA		imm16, reg1, reg2	rrrrr110001RRRRR i i i i i i i i i i i i i i	GR[reg2]←GR[reg1]+sign-extend(imm16)					
ADD		reg1, reg2	rrrrr001110RRRRR	GR[reg2]←GR[reg2]+GR[reg1]	×	×	×	×	
ADD		imm5, reg2	rrrrr010010RRRRR	GR[reg2]←GR[reg2]+sign-extend(imm5)	×	×	×	×	
ADDI		imm16, reg1, reg2	rrrrr110000RRRRR i i i i i i i i i i i i i i	GR[reg2]←GR[reg1]+sign-extend(imm16)	×	×	×	×	
SUB		reg1, reg2	rrrrr001101RRRRR	GR[reg2]←GR[reg2]-GR[reg1]	×	×	×	×	
SUBR	reg1, reg2	rrrrr001100RRRRR	GR[reg2]←GR[reg1]-GR[reg2]	×	×	×	×		

- Notes**
1. ddddddd = the higher 7 bits of disp8
 2. ddddddd = the higher 6 bits of disp8
 3. dddddddddddddddd = the higher 15 bits of disp16

Instruction Group	Mnemonic	Operand	Operation Code	Operation	Flag				
					CY	OV	S	Z	SAT
Arithmetic	MULH	reg1, reg2	rrrr000111RRRRR	GR[reg2]←GR[reg2] ^{Note} ×GR[reg1] ^{Note} (signed multiply)					
	MULH	imm5, reg2	rrrrr010111iiii	GR[reg2]←GR[reg2] ^{Note} ×sign-extend(imm5) (signed multiply)					
	MULHI	imm16, reg1, reg2	rrrr110111RRRRR iiiiiiiiiiiiiiii	GR[reg2]←GR[reg2] ^{Note} ×imm16 (signed multiply)					
	DIVH	reg1, reg2	rrrr000010RRRRR	GR[reg2]←GR[reg2]÷GR[reg1] ^{Note} (signed divide)		×	×	×	
	CMP	reg1, reg2	rrrr001111RRRRR	result←GR[reg2]−GR[reg1]	×	×	×	×	
	CMP	imm5, reg2	rrrrr010011iiii	result←GR[reg2]−sign-extend(imm5)	×	×	×	×	
	SETF	cccc, reg2	rrrr1111110cccc 0000000000000000	if conditions are satisfied then GR[reg2]←00000001H else GR[reg2]←00000000H					
Saturation operation	SATADD	reg1, reg2	rrrr000110RRRRR	GR[reg2]←saturated(GR[reg2]+GR[reg1])	×	×	×	×	×
	SATADD	imm5, reg2	rrrrr010001iiii	GR[reg2]←saturated(GR[reg2]+sign-extend(imm5))	×	×	×	×	×
	SATSUB	reg1, reg2	rrrr000101RRRRR	GR[reg2]←saturated(GR[reg2]−GR[reg1])	×	×	×	×	×
	SATSUBI	imm16, reg1, reg2	rrrr110011RRRRR iiiiiiiiiiiiiiii	GR[reg2]←saturated(GR[reg1]−sign-extend(imm16))	×	×	×	×	×
	SATSUBR	reg1, reg2	rrrr000100RRRRR	GR[reg2]←saturated(GR[reg1]−GR[reg2])	×	×	×	×	×
Logical operation	TST	reg1, reg2	rrrr001011RRRRR	result←GR[reg2]AND GR[reg1]		0	×	×	
	OR	reg1, reg2	rrrr001000RRRRR	GR[reg2]←GR[reg2]OR GR[reg1]		0	×	×	
	ORI	imm16, reg1, reg2	rrrr110100RRRRR iiiiiiiiiiiiiiii	GR[reg2]←GR[reg1]OR zero-extend(imm16)		0	×	×	
	AND	reg1, reg2	rrrr001010RRRRR	GR[reg2]←GR[reg2]AND GR[reg1]		0	×	×	
	ANDI	imm16, reg1, reg2	rrrr110110RRRRR iiiiiiiiiiiiiiii	GR[reg2]←GR[reg1]AND zero-extend(imm16)		0	0	×	
	XOR	reg1, reg2	rrrr001001RRRRR	GR[reg2]←GR[reg2]XOR GR[reg1]		0	×	×	
	XORI	imm16, reg1, reg2	rrrr110101RRRRR iiiiiiiiiiiiiiii	GR[reg2]←GR[reg1]XOR zero-extend(imm16)		0	×	×	
	NOT	reg1, reg2	rrrr000001RRRRR	GR[reg2]←NOT(GR[reg1])		0	×	×	
	SHL	reg1, reg2	rrrr111111RRRRR 0000000011000000	GR[reg2]←GR[reg2]logically shift left by GR[reg1]	×	0	×	×	
	SHL	imm5, reg2	rrrrr010110iiii	GR[reg2]←GR[reg2]logically shift left by zero-extend(imm5)	×	0	×	×	
	SHR	reg1, reg2	rrrr111111RRRRR 0000000010000000	GR[reg2]←GR[reg2]logically shift right by GR[reg1]	×	0	×	×	
	SHR	imm5, reg2	rrrrr010100iiii	GR[reg2]←GR[reg2]logically shift right by zero-extend(imm5)	×	0	×	×	
	SAR	reg1, reg2	rrrr111111RRRRR 0000000010100000	GR[reg2]←GR[reg2]arithmetically shift right by GR[reg1]	×	0	×	×	
	SAR	imm5, reg2	rrrrr010101iiii	GR[reg2]←GR[reg2]arithmetically shift right by zero-extend(imm5)	×	0	×	×	

Note Only the lower halfword data is valid.

Instruction Group	Mnemonic	Operand	Operation Code	Operation	Flag				
					CY	OV	S	Z	SAT
Branch	JMP	[reg1]	0000000011RRRRR	PC←GR[reg1]					
	JR	disp22	0000011110dddd dddddddddddddd0 Note 1	PC←PC+sign-extend(disp22)					
	JARL	disp22, reg2	rrrrr11110dddd dddddddddddddd0 Note 1	GR[reg2]←PC+4 PC←PC+sign-extend(disp22)					
	Bcond	disp9	dddd1011ddcccc Note 2	if conditions are satisfied then PC←PC+sign-extend(disp9)					
Bit manipulate	SET1	bit#3, disp16[reg1]	00bbb11110RRRRR dddddddddddddd	adr←GR[reg1]+sign-extend(disp16) Z flag←Not(Load-memory-bit(adr, bit#3)) Store-memory-bit(adr, bit#3, 1)				×	
	CLR1	bit#3, disp16[reg1]	10bbb11110RRRRR dddddddddddddd	adr←GR[reg1]+sign-extend(disp16) Z flag←Not(Load-memory-bit(adr, bit#3)) Store-memory-bit(adr, bit#3, 0)				×	
	NOT1	bit#3, disp16[reg1]	01bbb11110RRRRR dddddddddddddd	adr←GR[reg1]+sign-extend(disp16) Z flag←Not(Load-memory-bit(adr, bit#3)) Store-memory-bit(adr, bit#3, Z flag)				×	
	TST1	bit#3, disp16[reg1]	11bbb11110RRRRR dddddddddddddd	adr←GR[reg1]+sign-extend(disp16) Z flag←Not(Load-memory-bit(adr, bit#3))				×	

- Notes**
1. ddddddddddddddddddd = the higher 21 bits of disp22
 2. ddddddd = the higher 8 bits of disp9

Instruction Group	Mnemonic	Operand	Operation Code	Operation	Flag				
					CY	OV	S	Z	SAT
Special	LDSR	reg2, regID	rrrr11111RRRRR 000000000100000 Note	SR[regID]←GR[reg2] reg ID = EIPC, FEPC reg ID = EIPSW, FEPSW regID = PSW					
	STSR	regID, reg2	rrrr11111RRRRR 000000000100000	GR[reg2]←SR[regID]					
	TRAP	vector	0000011111111111 0000000100000000	EIPC←PC+4 (restore PC) EIPSW←PSW ECR.EICC←Interrupt code PSW.EP←1 PSW.ID←1 PC←00000040H(vector=00H-0FH) 00000050H(vector=10H-1FH)					
	RETI		0000011111100000 0000000101000000	if PSW.EP=1 then PC←EIPC PSW←EIPSW else if PSW.NP=1 then PC←FEPC PSW←FEPSW else PC←EIPC PSW←EIPSW	R	R	R	R	R
	HALT		0000011111100000 0000000100100000	Stops					
	DI		0000011111100000 0000000101100000	PSW.ID←1 (disables maskable interrupt)					
	EI		1000011111100000 0000000101100000	PSW.ID←0 (enables maskable interrupt)					
	NOP		0000000000000000	Dissipates 1 clock cycle without doing anything					

Note This instruction uses source register reg2, but its op code actually uses the field of reg1. Therefore, the meanings of the mnemonic description and op code of this instruction are different from those of the others.

rrrr = regID specification, RRRRR = reg2 specification

12. ELECTRICAL SPECIFICATIONS

Absolute Maximum Ratings (T_A = 25°C)

Parameter	Symbol	Condition	Ratings	Unit
Supply voltage	V _{DD}	V _{DD} pin	-0.5 to +7.0	V
	CV _{DD}	CV _{DD} pin	-0.5 to +7.0	V
	CV _{SS}	CV _{SS} pin	-0.5 to +0.5	V
Input voltage	V _{I1}	Except X1 pin, V _{DD} = 5.0 V ±10%	-0.5 to V _{DD} + 0.3	V
Clock input voltage	V _X	X1 pin, V _{DD} = 5.0 ±10%	-0.5 to V _{DD} + 1.0	V
Output current, low	I _{OL}	1 pin	4.0	mA
		Total of all pins	100	mA
Output current, high	I _{OH}	1 pin	-4.0	mA
		Total of all pins	-100	mA
Output voltage	V _O	V _{DD} = 5.0 V ±10%	-0.5 to V _{DD} + 0.3	V
Operating ambient temperature	T _A		-40 to +85	°C
Storage temperature	T _{stg}		-65 to +150	°C

- Cautions**
1. Do not directly connect the output (or I/O) pins of IC products, and do not directly connect them to V_{DD}, V_{CC} or GND pin. Open-drain pins and open-collector pins may be directly connected to one another however. Moreover, an external circuit that is designed to prevent contention of output can be connected to pins that go into a high-impedance state.
 2. Should the absolute maximum rating of even one of the above parameters be exceeded even momentarily, the quality of the product may be degraded. The absolute maximum ratings are, therefore, the values exceeding which the product may be physically damaged. Never exceed or approximate these values when using the product.
The normal operating ranges of ratings and conditions in which the quality of the product is guaranteed are specified in the following DC Characteristics and AC Characteristics.

Capacitance (T_A = 25°C, V_{DD} = V_{SS} = 0 V)

Parameter	Symbol	Condition	MIN.	TYP.	MAX.	Unit
Input capacitance	C _I	f _c = 1 MHz			15	pF
I/O capacitance	C _{IO}	Unmeasured pins returned to 0 V.			15	pF
Output capacitance	C _O				15	pF

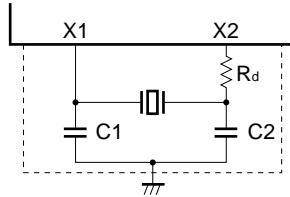
Operating Conditions

Operation Mode	Internal Operating Clock Frequency (φ)	Operating Ambient Temperature (T _A)	Supply Voltage (V _{DD})
Direct mode	0 to 25 MHz	-40 to +85°C	5.0 V ±10%
PLL mode	Freerunning oscillation frequency to 25 MHz	-40 to +85°C	5.0 V ±10%

Recommended Oscillation Circuit

(a) Connecting ceramic resonator ($T_A = -20$ to $+70^\circ\text{C}$)

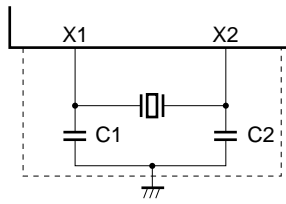
(i) Manufacturer: Kyocera, TDK



Manufacturer	Part Number		Oscillation Frequency f_{xx} (MHz)	Recommended Circuit Constant			Oscillation Voltage Range		Oscillation Stabilization Time (MAX.) T_{OST} (ms)
				C1 (pF)	C2 (pF)	Rd (Ω)	MIN. (V)	MAX. (V)	
Kyocera Corp.	Through-hole type	KBR-2.0MS	2.0	100	100	820	4.5	5.5	0.80
		KBR-2.7MS	2.7	100	100	820	4.5	5.5	0.60
		KBR-3.2MS	3.2	82	82	0	4.5	5.5	0.40
	Surface-mount type	PBRC5.0A	5.0	33	33	680	4.5	5.5	0.20
		PBRC5.0B	5.0	Incorporated	Incorporated	680	4.5	5.5	0.20
TDK Corp.	CCR2.0MC33		2.0	Incorporated	Incorporated	10K	4.5	5.5	0.56
	CCR3.2MC3		3.2	Incorporated	Incorporated	3.3K	4.5	5.5	0.40
	CCR5.0MC3		5.0	Incorporated	Incorporated	680	4.5	5.5	0.38
	FCR5.0MC5		5.0	Incorporated	Incorporated	0	4.5	5.5	0.28
	CCR10.0MC5		10.0	Incorporated	Incorporated	0	4.5	5.5	0.12
	CCR16.0MC6		16.0	Incorporated	Incorporated	2.2K	4.5	5.5	0.34
	FCR25.0MCG		25.0	Incorporated	Incorporated	0	4.5	5.5	0.24

- Cautions**
1. Connect the oscillation circuit as closely to the X1 and X2 pins as possible.
 2. Do not wire any other signal lines in the area indicated by the broken line in the above figure.
 3. Thoroughly evaluate the matching between the μPD703002 and oscillator.

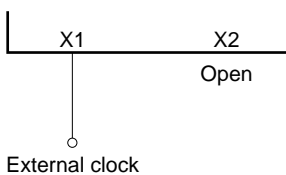
(ii) Manufacturer: Murata Mfg.



Manufacturer	Part Number	Oscillation Frequency f_{xx} (MHz)	Recommended Circuit Constant		Oscillation Voltage Range		Oscillation Stabilization Time (MAX.) T_{OST} (ms)
			C1 (pF)	C2 (pF)	MIN. (V)	MAX. (V)	
Murata Mfg.	CST2.00MG040	2.0	Incorporated	Incorporated	4.5	5.5	0.48
	CSA2.00MG040	2.0	100	100	4.5	5.5	0.48
	CST2.70MGW040	2.7	Incorporated	Incorporated	4.5	5.5	0.47
	CSA2.70MG040	2.7	100	100	4.5	5.5	0.47
	CST3.20MGW040	3.2	Incorporated	Incorporated	4.5	5.5	0.44
	CSA2.20MG040	3.2	100	100	4.5	5.5	0.44
	CST5.00MGW040	5.0	Incorporated	Incorporated	4.5	5.5	0.41
	CSA5.00MG040	5.0	100	100	4.5	5.5	0.41

- Cautions**
1. Connect the oscillation circuit as closely to the X1 and X2 pins as possible.
 2. Do not wire any other signal lines in the area indicated by the broken line in the above figure.
 3. Thoroughly evaluate the matching between the μPD703002 and oscillator.

(b) External clock input



Caution Input the voltage at the CMOS level to the X1 pin.

DC Characteristics (T_A = -40 to +85°C, V_{DD} = 5.0 V ±10%, V_{SS} = 0 V)

Parameter	Symbol	Condition	MIN.	TYP.	MAX.	Unit	
Input voltage, high	V _{IH}	X1, except Note 1	2.2		V _{DD}	V	
		Note 1	0.8V _{DD}		V _{DD}	V	
Input voltage, low	V _{IL}	X1, except Note 1	0		0.8	V	
		Note 1	0		0.2V _{DD}	V	
X1 clock input voltage, high	V _{XH}	Direct mode	0.8V _{DD}		V _{DD}	V	
		PLL mode	0.8V _{DD}		V _{DD}	V	
X1 clock input voltage, low	V _{XL}	Direct mode	0		0.6	V	
		PLL mode	0		0.6	V	
Schmitt trigger input threshold voltage	V _{T+}	Note 1 Rising		3.0		V	
	V _{T-}	Note 1 Falling		2.0		V	
Schmitt trigger input hysteresis width	V _{T+} -V _{T-}	Note 1	0.5			V	
Output voltage, high	V _{OH}	I _{OH} = -2.5 mA	0.7V _{DD}			V	
		I _{OH} = -100 μA	V _{DD} - 0.4			V	
Output voltage, low	V _{OL}	I _{OL} = 2.5 mA			0.45	V	
Input leakage current, high	I _{LIH}	V _i = V _{DD}			10	μA	
Input leakage current, low	I _{LIL}	V _i = 0 V			-10	μA	
Output leakage current, high	I _{LOH}	V _o = V _{DD}			10	μA	
Output leakage current, low	I _{LOL}	V _o = 0V			-10	μA	
Supply current	Operating	I _{DD1}	Direct mode		1.5 × φ +6	2.2 × φ +10	mA
			PLL mode (f _{xx} = φ/5)		1.6 × φ +7	2.4 × φ +11	mA
			PLL mode (f _{xx} = φ)		1.9 × φ +9	3.0 × φ +15	mA
	HALT	I _{DD2}	Direct mode		0.5 × φ +4	0.8 × φ +10	mA
			PLL mode (f _{xx} = φ/5)		0.6 × φ +5	1.0 × φ +11	mA
			PLL mode (f _{xx} = φ)		0.9 × φ +7	1.6 × φ +15	mA
	IDLE	I _{DD3}	Direct mode		15 × φ +200	26 × φ +200	μA
			PLL mode (f _{xx} = φ/5)		0.1 × φ +0.2	0.2 × φ +0.2	mA
			PLL mode (f _{xx} = φ)		0.4 × φ +3	0.8 × φ +5	mA
	STOP	I _{DD4}	-40°C ≤ T _A ≤ +50°C		1	50	μA
			50°C < T _A ≤ 85°C			200	μA

Note $\overline{\text{RESET}}$, P02/TCLR1, P03/TI1, P04/INTP10 through P07/INTP13, P20/NMI, P21/INTP00 through P24/INTP03, P26/SI2, P27/ $\overline{\text{SCK2}}$, P31/SI0, P32/ $\overline{\text{SCK0}}$, P36/SI1, P37/ $\overline{\text{SCK1}}$, MODE0, MODE1, CKSEL

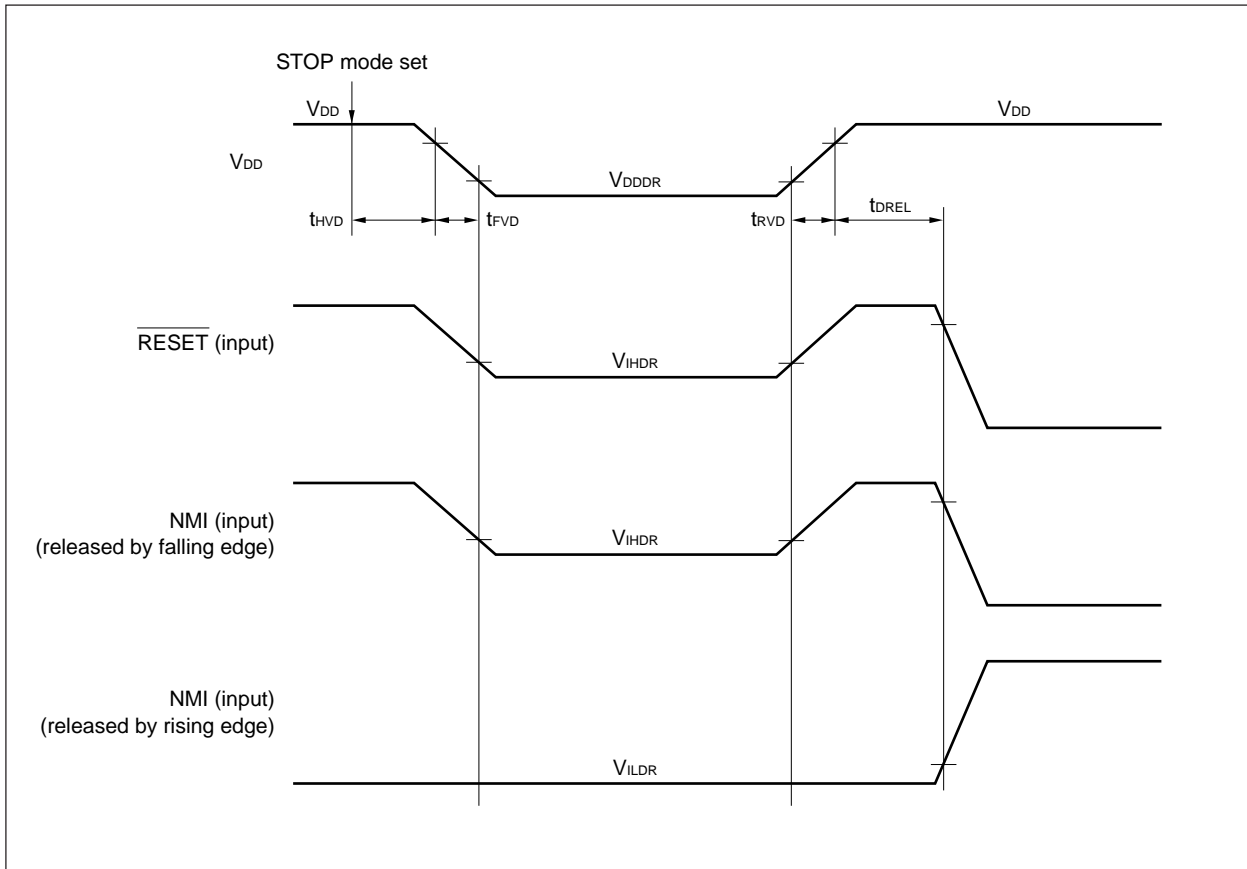
- Remarks**
1. TYP. value is a value for reference at T_A = 25°C, V_{DD} = 5.0 V.
 2. φ: internal operating clock frequency

Data Retention Characteristics (T_A = -40 to +85°C)

Parameter	Symbol	Condition	MIN.	TYP.	MAX.	Unit
Data hold voltage	V _{DDDR}	STOP mode	1.5		5.5	V
Data hold current	I _{DDDR}	V _{DD} = V _{DDDR} , -40°C ≤ T _A ≤ +50°C		0.2V _{DDDR}	50	μA
		V _{DD} = V _{DDDR} , 50°C < T _A ≤ +85°C		0.2V _{DDDR}	200	μA
Supply voltage rise time	t _{RV} D		200			μs
Supply voltage fall time	t _{FV} D		200			μs
Supply voltage hold time (from STOP mode setting)	t _{HV} D		0			ms
STOP mode releasing signal input time	t _{DREL}		0			ns
Data hold input voltage, high	V _{IHDR}	Note	0.9V _{DDDR}		V _{DDDR}	V
Data hold input voltage, low	V _{ILDR}	Note	0		0.1V _{DDDR}	V

Note $\overline{\text{RESET}}$, P02/TCLR1, P03/TI1, P04/INTP10 through P07/INTP13, P20/NMI, P21/INTP00 through P24/INTP03, P26/SI2, P27/SCK2, P31/SI0, P32/SCK0, P36/SI1, P37/SCK1, MODE0, MODE1, CKSEL, X1

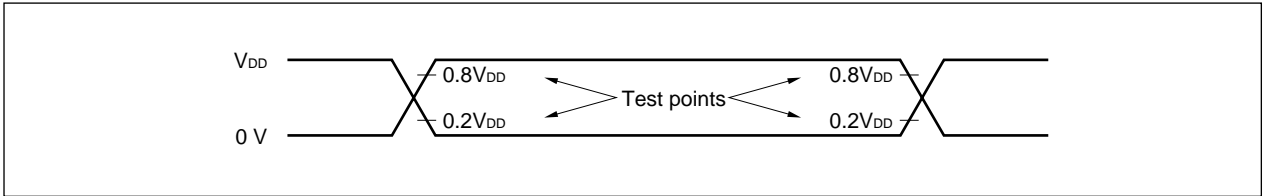
Remark TYP. value is a value for reference at T_A = 25°C, V_{DD} = 5.0 V.



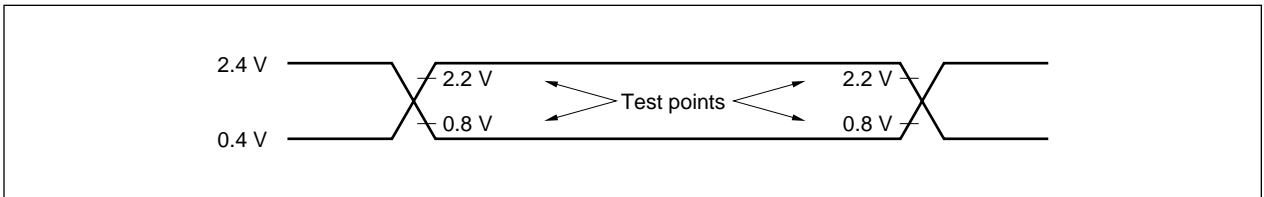
AC Characteristics ($T_A = -40$ to $+85^\circ\text{C}$, $V_{DD} = 5.0\text{ V} \pm 10\%$, $V_{SS} = 0\text{ V}$, C_L (output pin load capacitance) = 50 pF)

AC test input wave

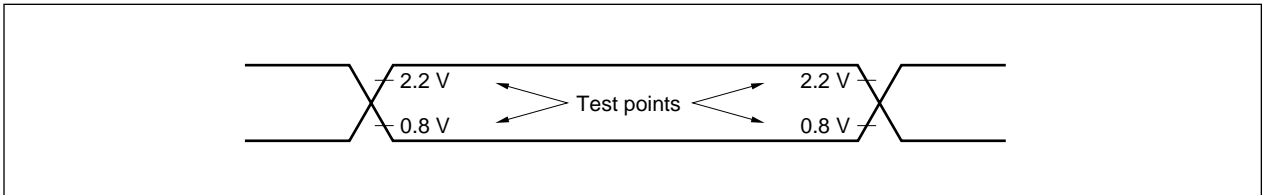
- (a) $\overline{\text{RESET}}$, P02/TCLR1, P03/TI1, P04/INTP10 through P07/INTP13, P20/NMI, P21/INTP00 through P24/INTP03, P26/SI2, P27/ $\overline{\text{SCK2}}$, P31/SI0, P32/ $\overline{\text{SCK0}}$, P36/SI1, P37/ $\overline{\text{SCK1}}$, MODE0, MODE1, CKSEL, X1



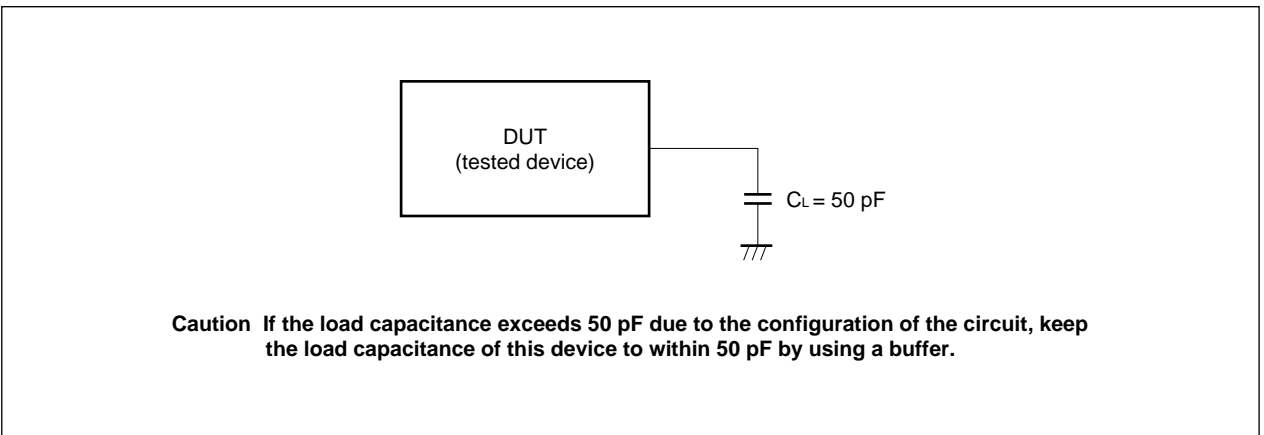
- (b) Other than (a) above



AC test output test point



Load condition

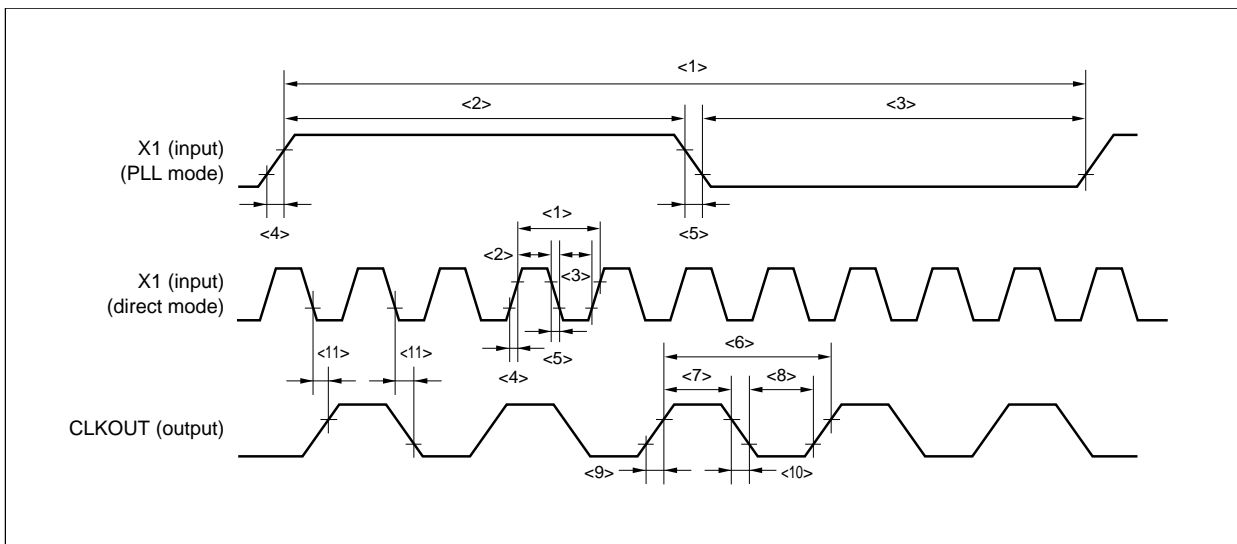


(1) Clock timing

Parameter	Symbol	Conditions	MIN.	MAX.	Unit	
X1 input cycle	<1>	t _{cyx}	Direct mode	20	DC	ns
			PLL mode (f _{xx} = φ/5)	200	285	ns
			PLL mode (f _{xx} = φ)	40	100	ns
X1 input high-level width	<2>	t _{wxH}	Direct mode	7		ns
			PLL mode (f _{xx} = φ/5)	80		ns
			PLL mode (f _{xx} = φ)	10		ns
X1 input low-level width	<3>	t _{wxL}	Direct mode	7		ns
			PLL mode (f _{xx} = φ/5)	80		ns
			PLL mode (f _{xx} = φ)	10		ns
X1 input rise time	<4>	t _{xR}	Direct mode		7	ns
			PLL mode (f _{xx} = φ/5)		15	ns
			PLL mode (f _{xx} = φ)		7	ns
X1 input fall time	<5>	t _{xF}	Direct mode		7	ns
			PLL mode (f _{xx} = φ/5)		15	ns
			PLL mode (f _{xx} = φ)		7	ns
CPU operating frequency	–	φ	0	25	MHz	
CLKOUT output cycle	<6>	t _{cyK}	40	DC	ns	
CLKOUT high-level width	<7>	t _{wKH}	0.5T–10		ns	
CLKOUT low-level width	<8>	t _{wKL}	0.5T–10		ns	
CLKOUT rise time	<9>	t _{kR}		5	ns	
CLKOUT fall time	<10>	t _{kF}		5	ns	
X1↓ →CLKOUT delay time	<11>	t _{dXK}	Direct mode	3	17	ns

Remark T = t_{cyK}

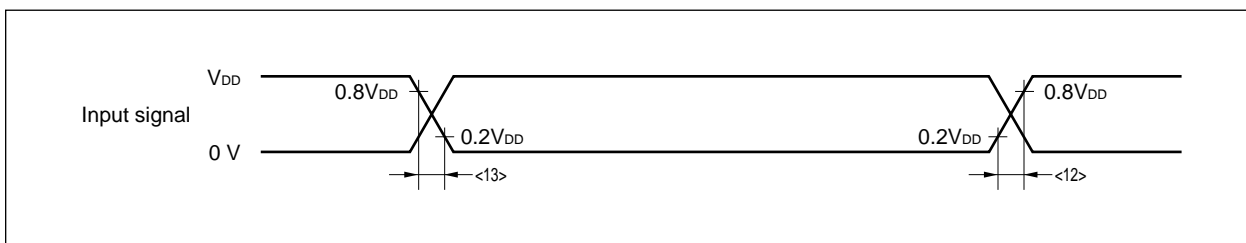
Parameter	Symbol	Condition	TYP.	Unit
Freerunning oscillation frequency	–	φ _P PLL mode	0.6	MHz



(2) Input wave

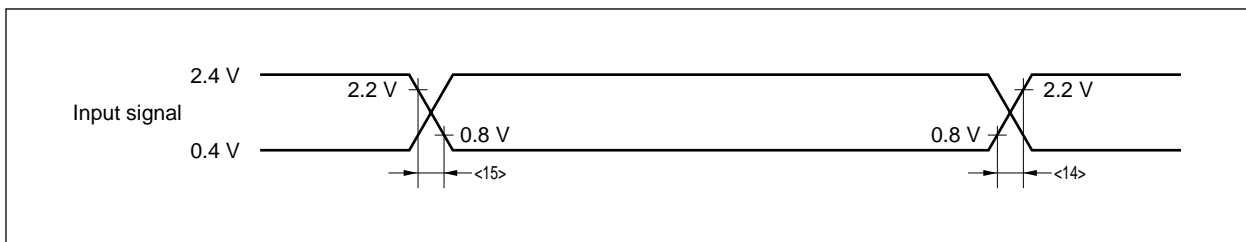
- (a) $\overline{\text{RESET}}$, P02/TCLR1, P03/TI1, P04/INTP10 through P07/INTP13, P20/NMI, P21/INTP00 through P24/INTP03, P26/SI2, P27/ $\overline{\text{SCK2}}$, P31/SI0, P32/ $\overline{\text{SCK0}}$, P36/SI1, P37/ $\overline{\text{SCK1}}$, MODE0, MODE1, CKSEL, X1

Parameter	Symbol	Condition	MIN.	MAX.	Unit
Input rise time	<12> t_{IR2}			20	ns
Input fall time	<13> t_{IF2}			20	ns



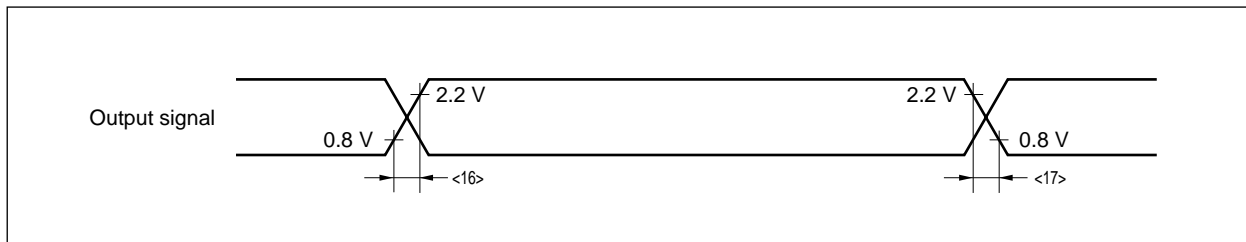
- (b) Other than (a) above

Parameter	Symbol	Condition	MIN.	MAX.	Unit
Input rise time	<14> t_{IR1}			10	ns
Input fall time	<15> t_{IF1}			10	ns



(3) Output waveform (other than CLKOUT)

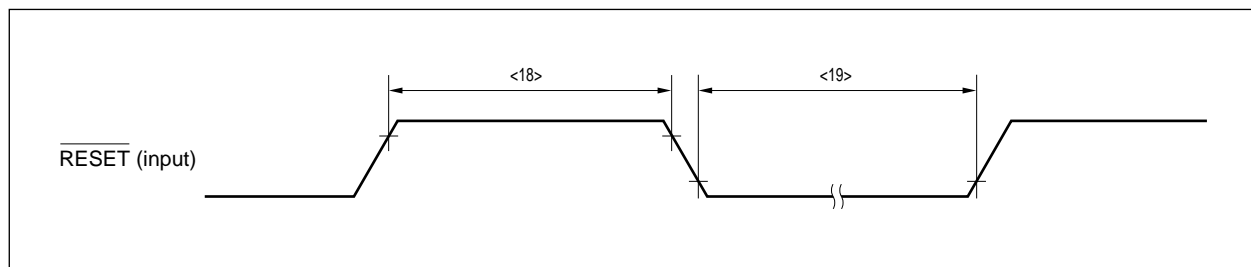
Parameter	Symbol	Condition	MIN.	MAX.	Unit
Output rise time	<16> t_{OR}			10	ns
Output fall time	<17> t_{OF}			10	ns



(4) Reset timing

Parameter	Symbol	Condition	MIN.	MAX.	Unit
$\overline{\text{RESET}}$ high-level width	<18> t_{WRSH}		500		ns
$\overline{\text{RESET}}$ low-level width	<19> t_{WRSL}	On power application and on releasing STOP mode	500+ T_{OST}		ns
		Except on power application and on releasing STOP mode	500		ns

Remark T_{OST} : Oscillation Stabilization Time



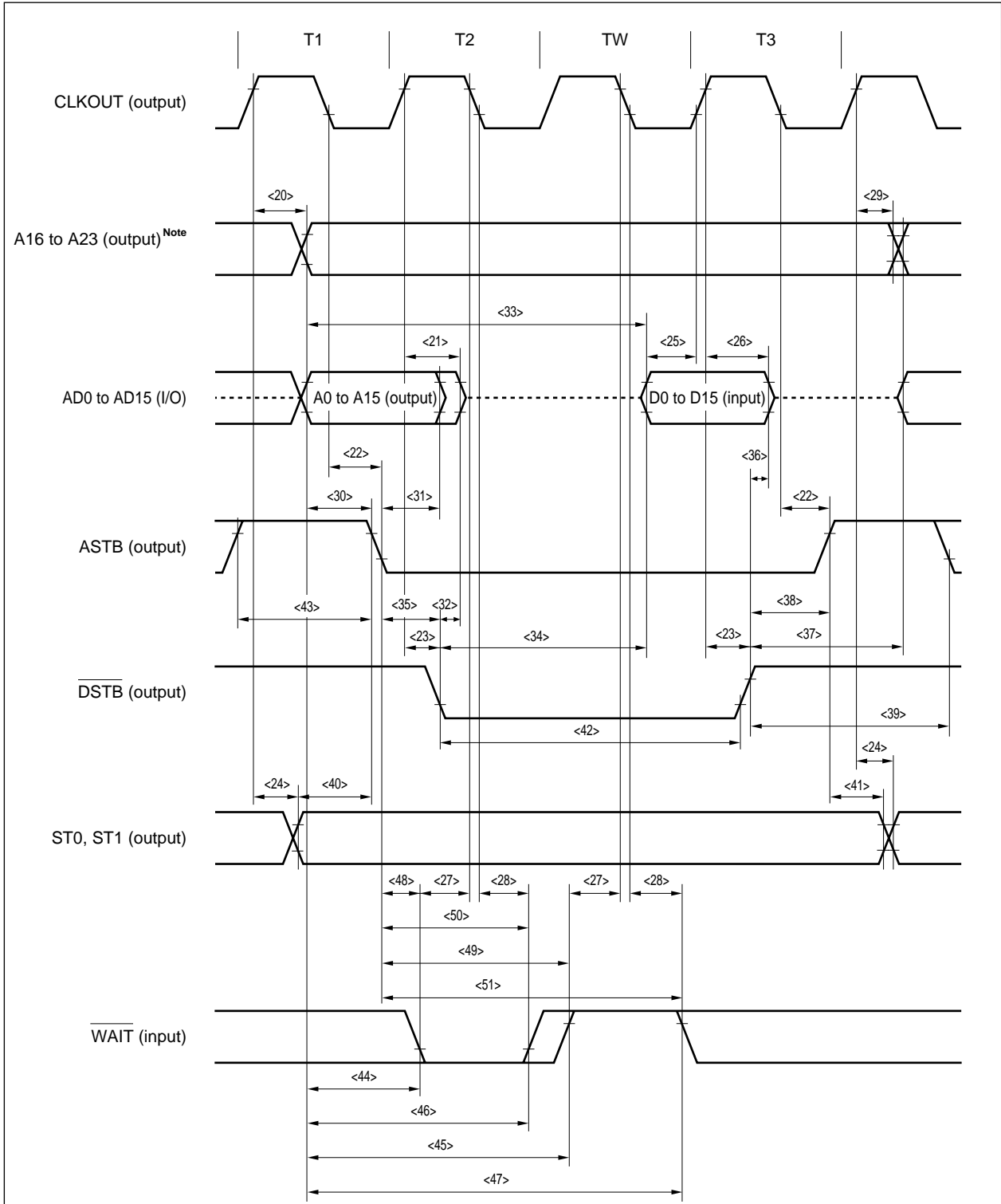
[MEMO]

(5) Read timing (1/2)

Parameter	Symbol	Condition	MIN.	MAX.	Unit
CLKOUT ↑ → Address delay time	<20> t _{DKA}		3	20	ns
CLKOUT ↑ → Address float time	<21> t _{FKA}		3	15	ns
CLKOUT ↓ → ASTB delay time	<22> t _{DKST}		3	15	ns
CLKOUT ↑ → $\overline{\text{DSTB}}$ delay time	<23> t _{DKD}		3	15	ns
CLKOUT ↑ → Status delay time	<24> t _{DKS}		3	15	ns
Data input setup time (to CLKOUT ↑)	<25> t _{SDK}		5		ns
Data input hold time (from CLKOUT ↑)	<26> t _{HKID}		5		ns
$\overline{\text{WAIT}}$ setup time (to CLKOUT ↓)	<27> t _{SWTK}		5		ns
$\overline{\text{WAIT}}$ hold time (from CLKOUT ↓)	<28> t _{HKWT}		5		ns
Address hold time (from CLKOUT ↑)	<29> t _{HKA}		0		ns
Address setup time (to ASTB ↓)	<30> t _{SAST}		0.5T-10		ns
Address hold time (from ASTB ↓)	<31> t _{HSTA}		0.5T-10		ns
$\overline{\text{DSTB}}$ ↓ → Address float delay time	<32> t _{FDA}			0	ns
Data input setup time (to address)	<33> t _{SAID}			(2+n)T-20	ns
Data input setup time (to $\overline{\text{DSTB}}$ ↓)	<34> t _{SDID}			(1+n)T-20	ns
ASTB ↓ → $\overline{\text{DSTB}}$ ↓ delay time	<35> t _{DSTD}		0.5T-10		ns
Data input hold time (from $\overline{\text{DSTB}}$ ↑)	<36> t _{HDID}		0		ns
$\overline{\text{DSTB}}$ ↑ → Address output delay time	<37> t _{DDA}		(1+i)T		ns
$\overline{\text{DSTB}}$ ↑ → ASTB ↑ delay time	<38> t _{DDSTH}		0.5T-10		ns
$\overline{\text{DSTB}}$ ↑ → ASTB ↓ delay time	<39> t _{DDSTL}		(1.5+i)T-10		ns
Status setup time (to ASTB ↓)	<40> t _{SSST}		0.5T-10		ns
Status hold time (from ASTB ↑)	<41> t _{HSTS}		0.5T-10		ns
$\overline{\text{DSTB}}$ low-level width	<42> t _{WDL}		(1+n)T-10		ns
ASTB high-level width	<43> t _{WSTH}		T-10		ns
$\overline{\text{WAIT}}$ setup time (to address)	<44> t _{SAWT1}	n ≥ 1		1.5T-20	ns
	<45> t _{SAWT2}			(1.5+n)T-20	ns
$\overline{\text{WAIT}}$ hold time (from address)	<46> t _{HAWT1}	n ≥ 1	(0.5+n)T		ns
	<47> t _{HAWT2}		(1.5+n)T		ns
$\overline{\text{WAIT}}$ setup time (to ASTB ↓)	<48> t _{SSTWT1}	n ≥ 1		T-15	ns
	<49> t _{SSTWT2}			(1+n)T-15	ns
$\overline{\text{WAIT}}$ hold time (from ASTB ↓)	<50> t _{HSTWT1}	n ≥ 1	nT		ns
	<51> t _{HSTWT2}		(1+n)T		ns

- Remarks**
1. T = t_{CYK}
 2. n indicates the number of wait clocks inserted in a bus cycle. The sampling timing varies when programmable wait states are inserted.
 3. i indicates the number of idle states (0 or 1) inserted in the read cycle.
 4. Satisfy at least one of the data input hold times t_{HKID} (<26>) and t_{HDID} (<36>).

(5) Read timing (2/2): 1 wait



Note R/W (output), UBEN (output), LBEN (output)

Remark The broken line indicates the high-impedance state.

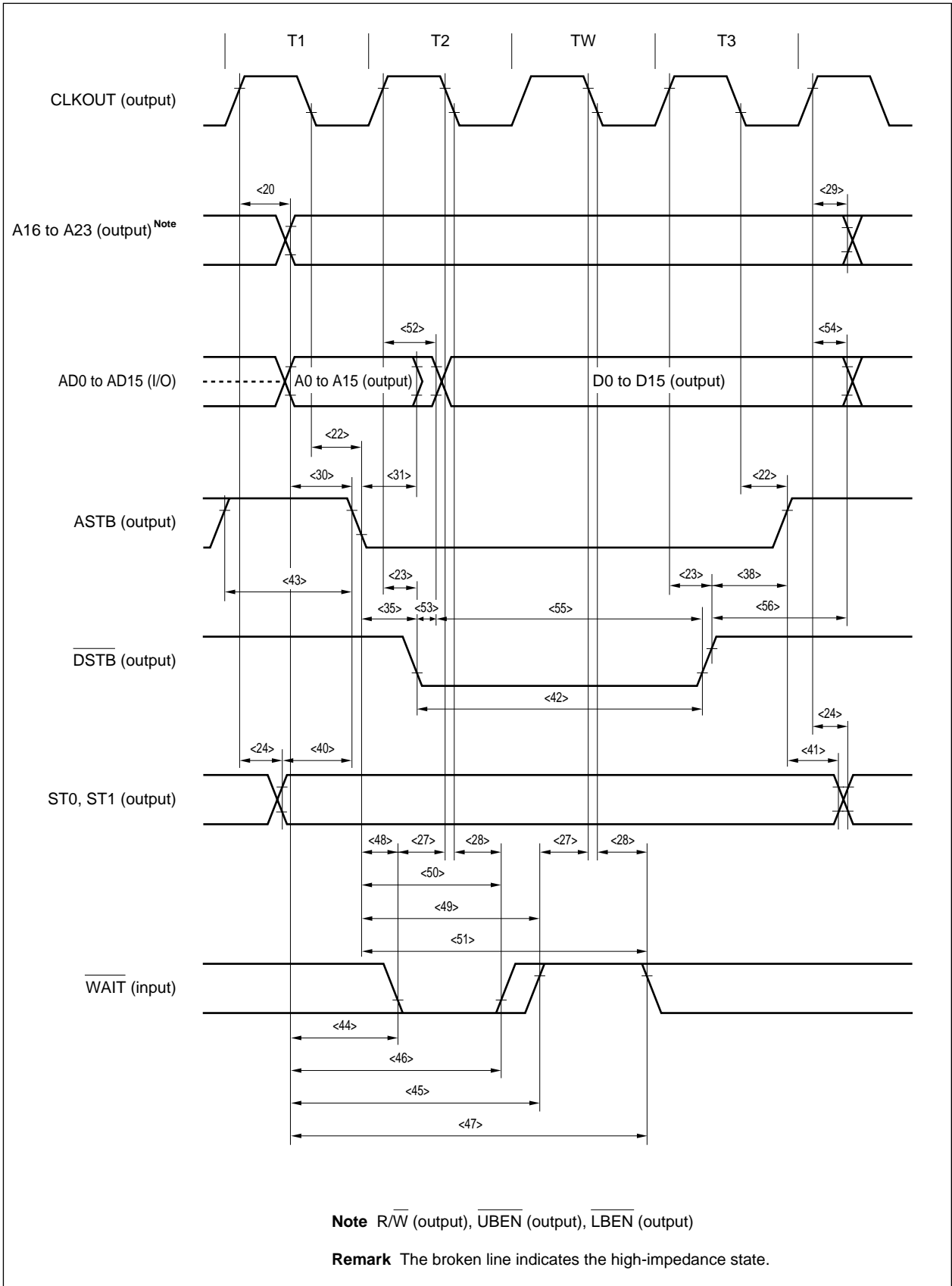
(6) Write timing (1/2)

Parameter	Symbol	Condition	MIN.	MAX.	Unit
CLKOUT ↑ → Address delay time	<20> t _{DKA}		3	20	ns
CLKOUT ↓ → ASTB delay time	<22> t _{DKST}		3	15	ns
CLKOUT ↑ → $\overline{\text{DSTB}}$ delay time	<23> t _{DKD}		3	15	ns
CLKOUT ↑ → Status delay time	<24> t _{DKS}		3	15	ns
$\overline{\text{WAIT}}$ setup time (to CLKOUT ↓)	<27> t _{SWTK}		5		ns
$\overline{\text{WAIT}}$ hold time (from CLKOUT ↓)	<28> t _{HKWT}		5		ns
Address hold time (from CLKOUT ↑)	<29> t _{HKA}		0		ns
Address setup time (to ASTB ↓)	<30> t _{SAST}		0.5T-10		ns
Address hold time (from ASTB ↓)	<31> t _{HSTA}		0.5T-10		ns
ASTB ↓ → $\overline{\text{DSTB}}$ ↓ delay time	<35> t _{DSTD}		0.5T-10		ns
$\overline{\text{DSTB}}$ ↑ → ASTB ↑ delay time	<38> t _{DDSTH}		0.5T-10		ns
Status setup time (to ASTB ↓)	<40> t _{SSST}		0.5T-10		ns
Status hold time (from ASTB ↑)	<41> t _{HSTS}		0.5T-10		ns
$\overline{\text{DSTB}}$ low-level width	<42> t _{WDL}		(1+n)T-10		ns
ASTB high-level width	<43> t _{WSTH}		T-10		ns
$\overline{\text{WAIT}}$ setup time (to address)	<44> t _{SAWT1}	n ≥ 1		1.5T-20	ns
	<45> t _{SAWT2}			(1.5+n)T-20	ns
$\overline{\text{WAIT}}$ hold time (from address)	<46> t _{HAWT1}	n ≥ 1	(0.5+n)T		ns
	<47> t _{HAWT2}		(1.5+n)T		ns
$\overline{\text{WAIT}}$ setup time (to ASTB ↓)	<48> t _{SSTWT1}	n ≥ 1		T-15	ns
	<49> t _{SSTWT2}			(1+n)T-15	ns
$\overline{\text{WAIT}}$ hold time (from ASTB ↓)	<50> t _{HSTWT1}	n ≥ 1	nT		ns
	<51> t _{HSTWT2}		(1+n)T		ns
CLKOUT ↑ → Data output delay time	<52> t _{DKOD}			20	ns
$\overline{\text{DSTB}}$ ↓ → Data output delay time	<53> t _{DDOD}			10	ns
Data output hold time (from CLKOUT ↑)	<54> t _{HKOD}		0		ns
Data output setup time (to $\overline{\text{DSTB}}$ ↑)	<55> t _{SODD}		(1+n)T-15		ns
Data output hold time (from $\overline{\text{DSTB}}$ ↑)	<56> t _{HDOD}		T-10		ns

Remarks 1. T = t_{cyk}

2. n indicates the number of wait clocks inserted in a bus cycle. The sampling timing varies when programmable wait states are inserted.

(6) Write timing (2/2): 1 wait



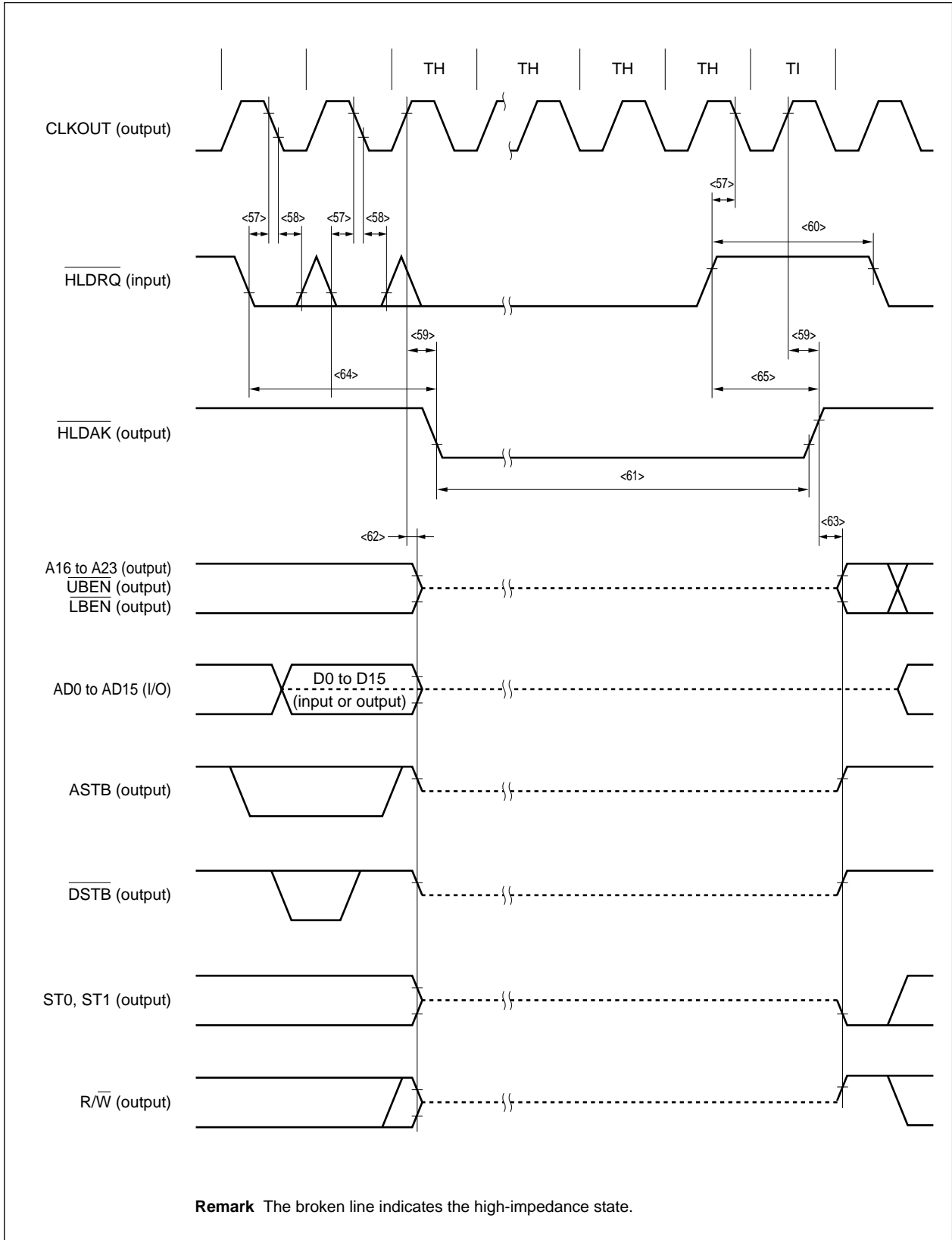
(7) Bus hold timing (1/2)

Parameter	Symbol	Condition	MIN.	MAX.	Unit
$\overline{\text{HLDRQ}}$ setup time (to CLKOUT ↓)	<57> t_{SHQK}		5		ns
$\overline{\text{HLDRQ}}$ hold time (from CLKOUT ↓)	<58> t_{HKHQ}		5		ns
CLKOUT ↑ → $\overline{\text{HLDK}}$ delay time	<59> t_{DKHA}			20	ns
$\overline{\text{HLDRQ}}$ high-level width	<60> t_{WHQH}		T+10		ns
$\overline{\text{HLDK}}$ low-level width	<61> t_{WHAL}		T-10		ns
★ CLKOUT ↑ → Bus float delay time	<62> t_{DKF}			20	ns
$\overline{\text{HLDK}}$ ↑ → Bus output delay time	<63> t_{DHAC}		-3		ns
$\overline{\text{HLDRQ}}$ ↓ → $\overline{\text{HLDK}}$ ↓ delay time	<64> t_{DHQHA1}			(2n+7.5)T+20	ns
$\overline{\text{HLDRQ}}$ ↑ → $\overline{\text{HLDK}}$ ↑ delay time	<65> t_{DHQHA2}		0.5T	1.5T+20	ns

Remarks 1. T = t_{CYK}

2. n indicates the number of wait clocks inserted in a bus cycle. The sampling timing varies when programmable wait states are inserted.

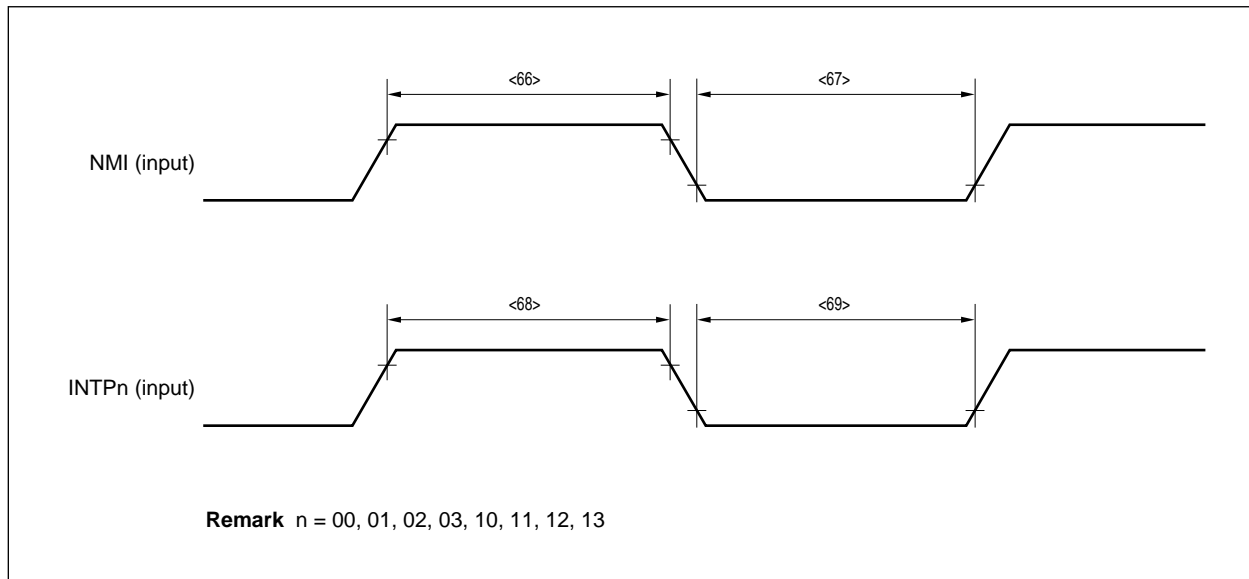
(7) Bus hold timing (2/2)



(8) Interrupt timing

Parameter	Symbol	Condition	MIN.	MAX.	Unit
NMI high-level width	<66> t _{WNH}		500		ns
NMI low-level width	<67> t _{WNL}		500		ns
INTP _n high-level width	<68> t _{WITH}	n = 00, 01, 02, 03, 10, 11, 12, 13	3T+10		ns
INTP _n low-level width	<69> t _{WITL}	n = 00, 01, 02, 03, 10, 11, 12, 13	3T+10		ns

Remark T = t_{cyk}



(9) CSI timing

(a) Master mode

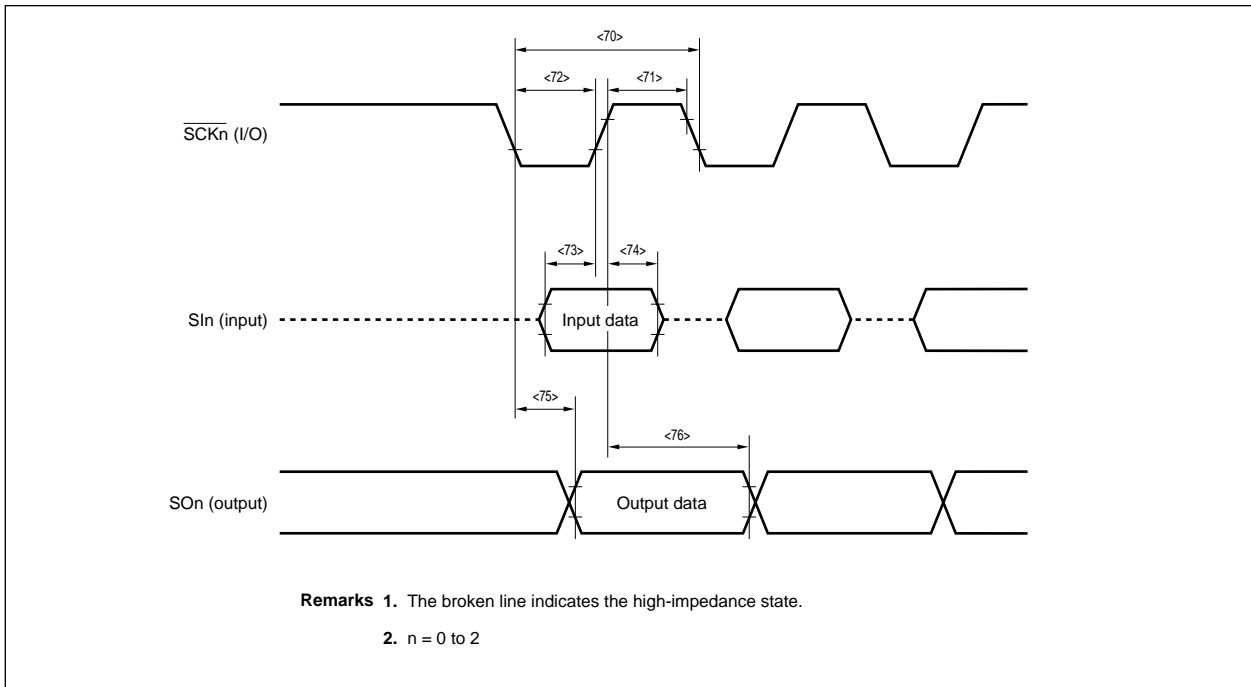
Parameter	Symbol	Condition	MIN.	MAX.	Unit
$\overline{\text{SCKn}}$ cycle	<70> t_{CYSK}	Output	250		ns
$\overline{\text{SCKn}}$ high-level width	<71> t_{WSKH}	Output	$0.5t_{\text{CYSK}}-20$		ns
$\overline{\text{SCKn}}$ low-level width	<72> t_{WSKL}	Output	$0.5t_{\text{CYSK}}-25$		ns
SIn setup time (to $\overline{\text{SCKn}}$ ↑)	<73> t_{SSISK}		45		ns
SIn hold time (from $\overline{\text{SCKn}}$ ↑)	<74> t_{HSKSI}		0		ns
SOn output delay time (from $\overline{\text{SCK0}}$ ↓)	<75> t_{DSKSO}			25	ns
SOn output delay time (from $\overline{\text{SCK0}}$ ↑)	<76> t_{HSKSO}		$0.5t_{\text{CYSK}}-5$		ns

Caution When the internal clock is selected as the serial clock, set f to 8 MHz or lower if specifying $\phi/2$, and set ϕ to 16 MHz or lower if specifying $\phi/4$ (ϕ = internal operation clock frequency). To select a higher operating frequency than those indicated above, select the baud rate generator (BRG) output instead of the internal clock.

(b) Slave mode

Parameter	Symbol	Condition	MIN.	MAX.	Unit
$\overline{\text{SCKn}}$ cycle	<70> t_{CYSK}	Input	250		ns
$\overline{\text{SCKn}}$ high-level width	<71> t_{WSKH}	Input	70		ns
$\overline{\text{SCKn}}$ low-level width	<72> t_{WSKL}	Input	70		ns
SIn setup time (to $\overline{\text{SCKn}}$ ↑)	<73> t_{SSISK}		10		ns
SIn hold time (from $\overline{\text{SCKn}}$ ↑)	<74> t_{HSKSI}		15		ns
SOn output delay time (from $\overline{\text{SCKn}}$ ↓)	<75> t_{DSKSO}			55	ns
SOn output hold time (from $\overline{\text{SCKn}}$ ↑)	<76> t_{HSKSO}		t_{WSKH}		ns

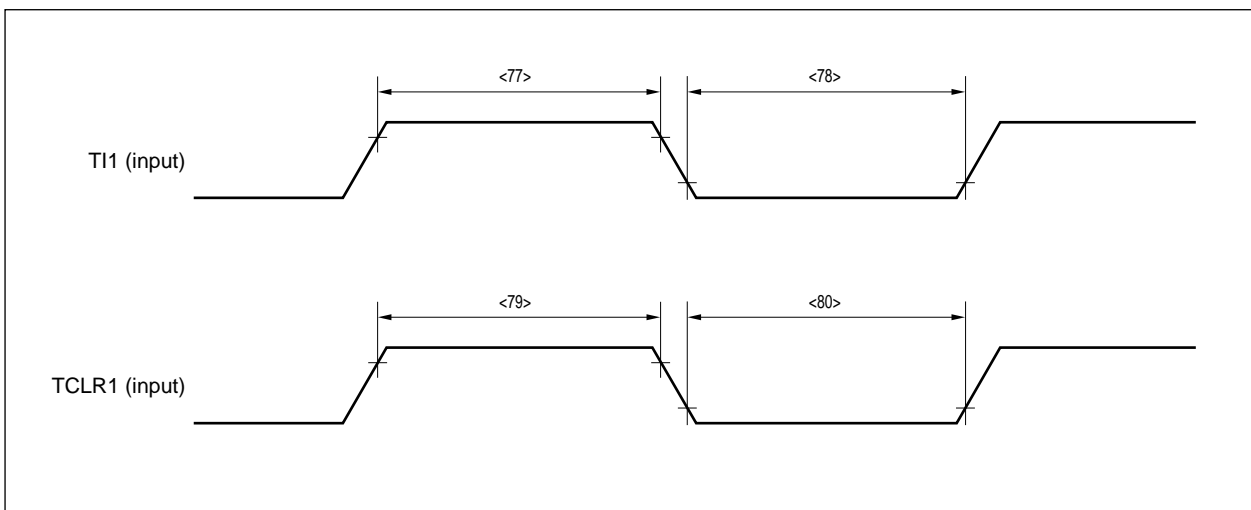
Caution When the internal clock is selected as the serial clock, set f to 8 MHz or lower if specifying $\phi/2$, and set ϕ to 16 MHz or lower if specifying $\phi/4$ (ϕ = internal operation clock frequency). To select a higher operating frequency than those indicated above, select the baud rate generator (BRG) output instead of the internal clock.



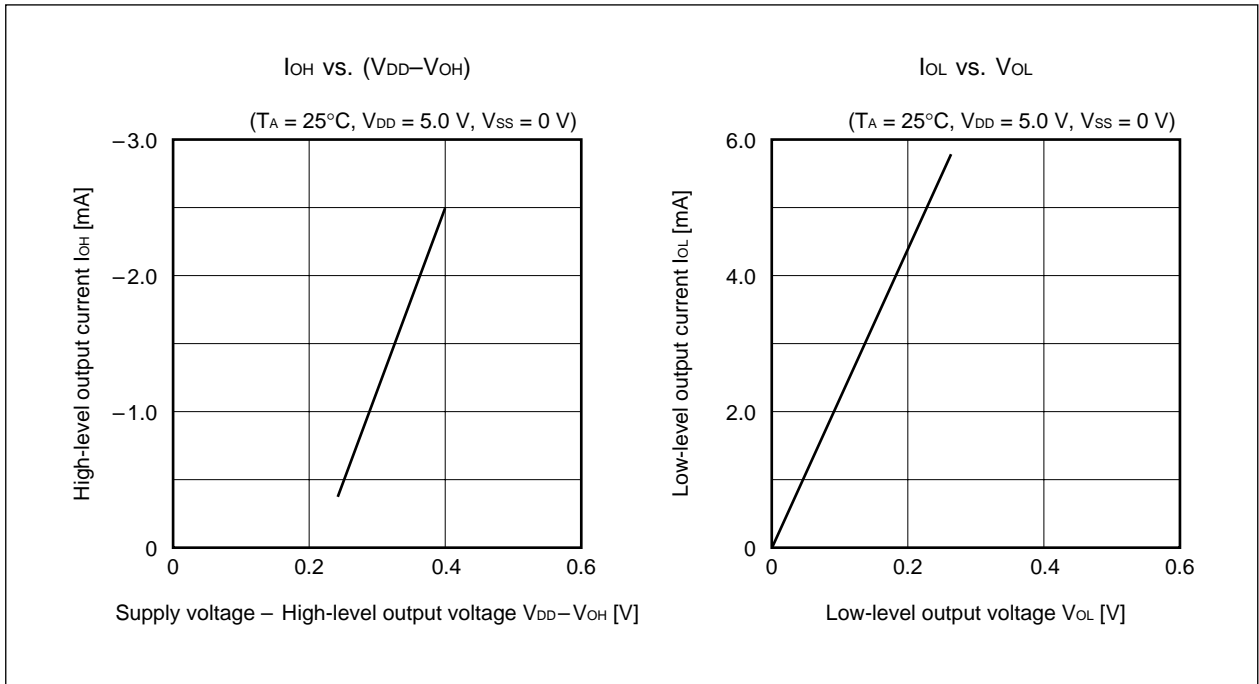
(10) RPU timing

Parameter	Symbol	Condition	MIN.	MAX.	Unit
T11 high-level width	<77> t_{WTH}		$3T+10$		ns
T11 low-level width	<78> t_{WTL}		$3T+10$		ns
TCLR1 high-level width	<79> t_{WCH}		$3T+10$		ns
TCLR1 low-level width	<80> t_{WCL}		$3T+10$		ns

Remark T = t_{CYK}

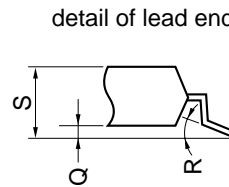
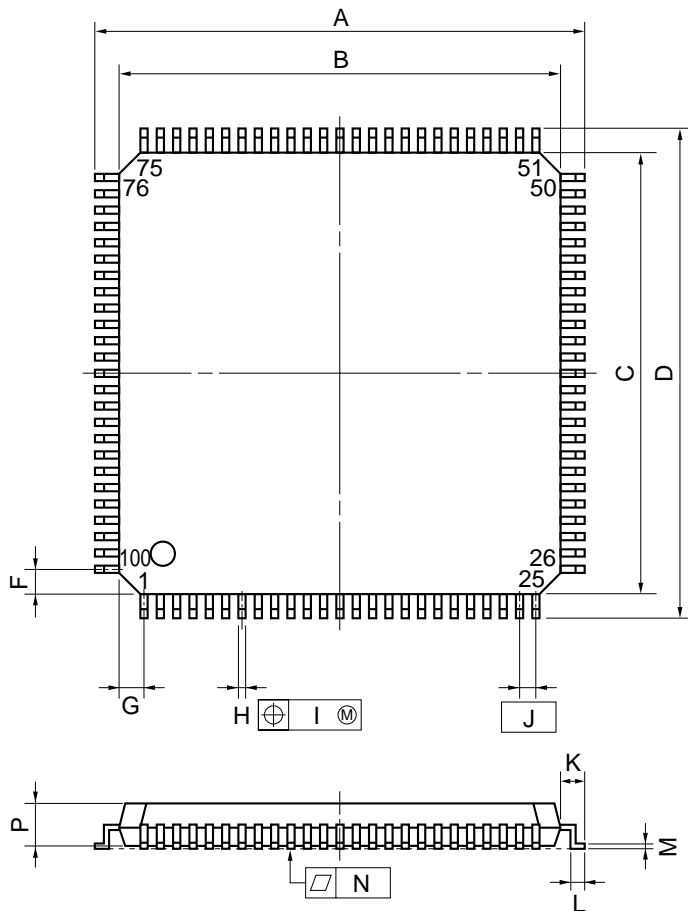


13. CHARACTERISTIC CURVES (REFERENCE)



14. PACKAGE DRAWINGS

100 PIN PLASTIC QFP (FINE PITCH) (□14)



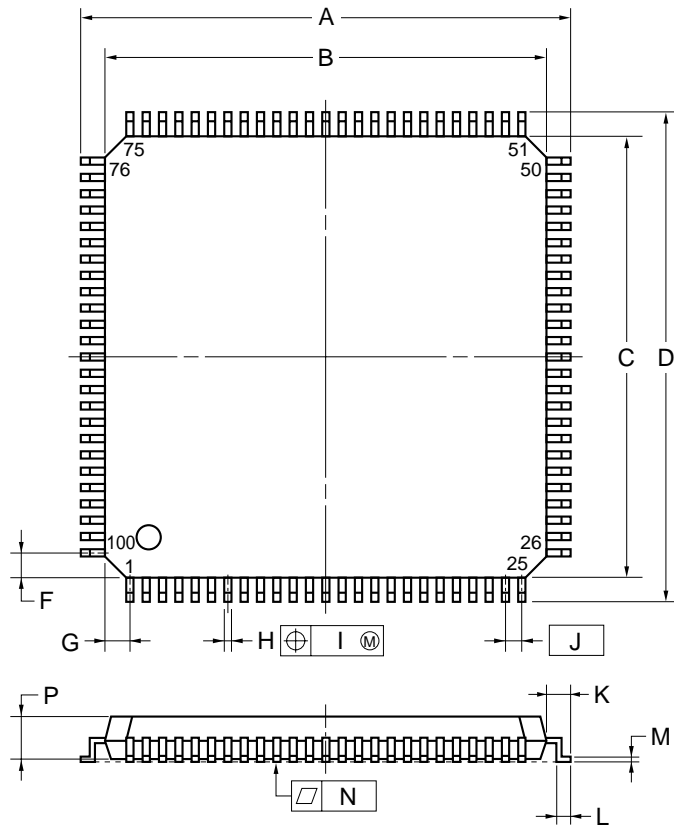
NOTE

Each lead centerline is located within 0.10 mm (0.004 inch) of its true position (T.P.) at maximum material condition.

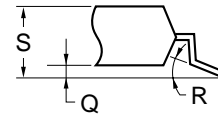
ITEM	MILLIMETERS	INCHES
A	16.0±0.2	0.630±0.008
B	14.0±0.2	0.551 ^{+0.009} _{-0.008}
C	14.0±0.2	0.551 ^{+0.009} _{-0.008}
D	16.0±0.2	0.630±0.008
F	1.0	0.039
G	1.0	0.039
H	0.22 ^{+0.05} _{-0.04}	0.009±0.002
I	0.10	0.004
J	0.5 (T.P.)	0.020 (T.P.)
K	1.0±0.2	0.039 ^{+0.009} _{-0.008}
L	0.5±0.2	0.020 ^{+0.008} _{-0.009}
M	0.17 ^{+0.03} _{-0.07}	0.007 ^{+0.001} _{-0.003}
N	0.10	0.004
P	1.45	0.057
Q	0.125±0.075	0.005±0.003
R	5°±5°	5°±5°
S	1.7 MAX.	0.067 MAX.

P100GC-50-7EA-2

★ 100 PIN PLASTIC LQFP (FINE PITCH) (14×14)



detail of lead end



NOTE

Each lead centerline is located within 0.08 mm (0.003 inch) of its true position (T.P.) at maximum material condition.

ITEM	MILLIMETERS	INCHES
A	16.00±0.20	0.630±0.008
B	14.00±0.20	0.551 ^{+0.009} _{-0.008}
C	14.00±0.20	0.551 ^{+0.009} _{-0.008}
D	16.00±0.20	0.630±0.008
F	1.00	0.039
G	1.00	0.039
H	0.22 ^{+0.05} _{-0.04}	0.009±0.002
I	0.08	0.003
J	0.50 (T.P.)	0.020 (T.P.)
K	1.00±0.20	0.039 ^{+0.009} _{-0.008}
L	0.50±0.20	0.020 ^{+0.008} _{-0.009}
M	0.17 ^{+0.03} _{-0.07}	0.007 ^{+0.001} _{-0.003}
N	0.08	0.003
P	1.40±0.05	0.055±0.002
Q	0.10±0.05	0.004±0.002
R	3° ^{+7°} _{-3°}	3° ^{+7°} _{-3°}
S	1.60 MAX.	0.063 MAX.

S100GC-50-8EU

15. RECOMMENDED SOLDERING CONDITIONS

The μPD703002 should be soldered and mounted under the following recommended conditions.

For the recommended soldering conditions, refer to the document **Semiconductor Device Mounting Technology Manual (C10535E)**.

For soldering methods and conditions other than those recommended below, contact your NEC sales representative.

★

Table 15-1. Soldering Conditions

Soldering Method	Soldering Conditions	Symbol
Infrared reflow	Package peak temperature: 235°C, Reflow time: 30 seconds or below (210°C or higher), Number of reflow processes: 2 max., Exposure limit: 7 days ^{Note} (after that, prebaking is necessary at 125°C for 10 hours)	IR35-107-2
VPS	Package peak temperature: 215°C, Reflow time: 40 seconds or below (200°C or higher), Number of reflow processes: 2 max., Exposure limit: 7 days ^{Note} (after that, prebaking is necessary at 125°C for 10 hours)	VP15-107-2
Partial heating	Pin temperature: 300°C or below, Time: 3 seconds or below (per side of device)	—

Note Exposure limit after dry-pack is opened. Storage conditions: temperature of 25°C and relative humidity of 65% or less.

Caution Do not use different soldering methods together (except for partial heating).

[MEMO]

NOTES FOR CMOS DEVICES

① PRECAUTION AGAINST ESD FOR SEMICONDUCTORS

Note: Strong electric field, when exposed to a MOS device, can cause destruction of the gate oxide and ultimately degrade the device operation. Steps must be taken to stop generation of static electricity as much as possible, and quickly dissipate it once, when it has occurred. Environmental control must be adequate. When it is dry, humidifier should be used. It is recommended to avoid using insulators that easily build static electricity. Semiconductor devices must be stored and transported in an anti-static container, static shielding bag or conductive material. All test and measurement tools including work bench and floor should be grounded. The operator should be grounded using wrist strap. Semiconductor devices must not be touched with bare hands. Similar precautions need to be taken for PW boards with semiconductor devices on it.

② HANDLING OF UNUSED INPUT PINS FOR CMOS

Note: No connection for CMOS device inputs can be cause of malfunction. If no connection is provided to the input pins, it is possible that an internal input level may be generated due to noise, etc., hence causing malfunction. CMOS device behave differently than Bipolar or NMOS devices. Input levels of CMOS devices must be fixed high or low by using a pull-up or pull-down circuitry. Each unused pin should be connected to V_{DD} or GND with a resistor, if it is considered to have a possibility of being an output pin. All handling related to the unused pins must be judged device by device and related specifications governing the devices.

③ STATUS BEFORE INITIALIZATION OF MOS DEVICES

Note: Power-on does not necessarily define initial status of MOS device. Production process of MOS does not define the initial operation status of the device. Immediately after the power source is turned ON, the devices with reset function have not yet been initialized. Hence, power-on does not guarantee out-pin levels, I/O settings or contents of registers. Device is not initialized until the reset signal is received. Reset operation must be executed immediately after power-on for devices having reset function.

Regional Information

Some information contained in this document may vary from country to country. Before using any NEC product in your application, please contact the NEC office in your country to obtain a list of authorized representatives and distributors. They will verify:

- Device availability
- Ordering information
- Product release schedule
- Availability of related technical literature
- Development environment specifications (for example, specifications for third-party tools and components, host computers, power plugs, AC supply voltages, and so forth)
- Network requirements

In addition, trademarks, registered trademarks, export restrictions, and other legal issues may also vary from country to country.

NEC Electronics Inc. (U.S.)

Santa Clara, California
Tel: 800-366-9782
Fax: 800-729-9288

NEC Electronics (Germany) GmbH

Duesseldorf, Germany
Tel: 0211-65 03 02
Fax: 0211-65 03 490

NEC Electronics (UK) Ltd.

Milton Keynes, UK
Tel: 01908-691-133
Fax: 01908-670-290

NEC Electronics Italiana s.r.l.

Milano, Italy
Tel: 02-66 75 41
Fax: 02-66 75 42 99

NEC Electronics (Germany) GmbH

Benelux Office
Eindhoven, The Netherlands
Tel: 040-2445845
Fax: 040-2444580

NEC Electronics (France) S.A.

Velizy-Villacoublay, France
Tel: 01-30-67 58 00
Fax: 01-30-67 58 99

NEC Electronics (France) S.A.

Spain Office
Madrid, Spain
Tel: 01-504-2787
Fax: 01-504-2860

NEC Electronics (Germany) GmbH

Scandinavia Office
Taeby, Sweden
Tel: 08-63 80 820
Fax: 08-63 80 388

NEC Electronics Hong Kong Ltd.

Hong Kong
Tel: 2886-9318
Fax: 2886-9022/9044

NEC Electronics Hong Kong Ltd.

Seoul Branch
Seoul, Korea
Tel: 02-528-0303
Fax: 02-528-4411

NEC Electronics Singapore Pte. Ltd.

United Square, Singapore 1130
Tel: 253-8311
Fax: 250-3583

NEC Electronics Taiwan Ltd.

Taipei, Taiwan
Tel: 02-719-2377
Fax: 02-719-5951

NEC do Brasil S.A.

Sao Paulo-SP, Brasil
Tel: 011-889-1680
Fax: 011-889-1689

Related documents : μPD70P3002 Data Sheet (U11827E)
V850 Family Instruction List (U10229J) (Japanese version)
V852 Register Application Table (U10513J) (Japanese version)

Reference : Electrical Characteristics for Microcomputer (IEI-601) (Japanese version)

The related documents indicated in this publication may include preliminary versions. However, preliminary versions are not marked as such.

V850 Family and V852 are trademarks of NEC Corporation.

The export of this product from Japan is regulated by the Japanese government. To export this product may be prohibited without governmental license, the need for which must be judged by the customer. The export or re-export of this product from a country other than Japan may also be prohibited without a license from that country. Please call an NEC sales representative.

No part of this document may be copied or reproduced in any form or by any means without the prior written consent of NEC Corporation. NEC Corporation assumes no responsibility for any errors which may appear in this document.

NEC Corporation does not assume any liability for infringement of patents, copyrights or other intellectual property rights of third parties by or arising from use of a device described herein or any other liability arising from use of such device. No license, either express, implied or otherwise, is granted under any patents, copyrights or other intellectual property rights of NEC Corporation or others.

While NEC Corporation has been making continuous effort to enhance the reliability of its semiconductor devices, the possibility of defects cannot be eliminated entirely. To minimize risks of damage or injury to persons or property arising from a defect in an NEC semiconductor device, customers must incorporate sufficient safety measures in its design, such as redundancy, fire-containment, and anti-failure features.

NEC devices are classified into the following three quality grades:

"Standard", "Special", and "Specific". The Specific quality grade applies only to devices developed based on a customer designated "quality assurance program" for a specific application. The recommended applications of a device depend on its quality grade, as indicated below. Customers must check the quality grade of each device before using it in a particular application.

Standard: Computers, office equipment, communications equipment, test and measurement equipment, audio and visual equipment, home electronic appliances, machine tools, personal electronic equipment and industrial robots

Special: Transportation equipment (automobiles, trains, ships, etc.), traffic control systems, anti-disaster systems, anti-crime systems, safety equipment and medical equipment (not specifically designed for life support)

Specific: Aircrafts, aerospace equipment, submersible repeaters, nuclear reactor control systems, life support systems or medical equipment for life support, etc.

The quality grade of NEC devices is "Standard" unless otherwise specified in NEC's Data Sheets or Data Books. If customers intend to use NEC devices for applications other than those specified for Standard quality grade, they should contact an NEC sales representative in advance.

Anti-radioactive design is not implemented in this product.