

SPEECH SYNTHESIZER

μPD7752

NEC

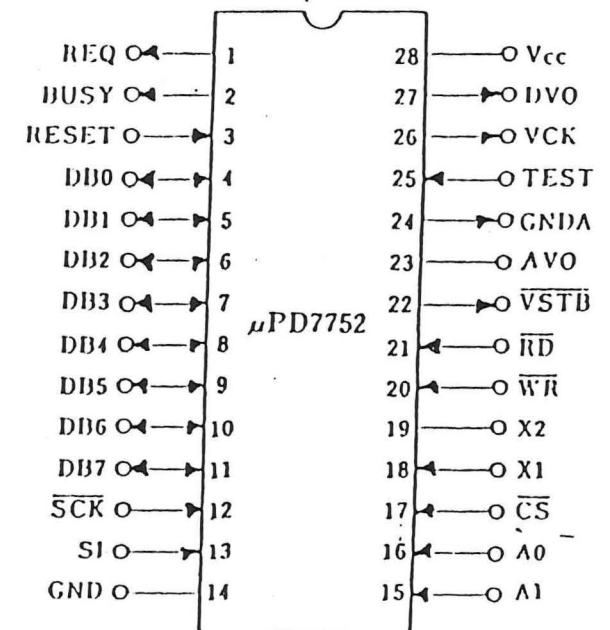
SPEECH SYNTHESIZER

(μ PD7752)

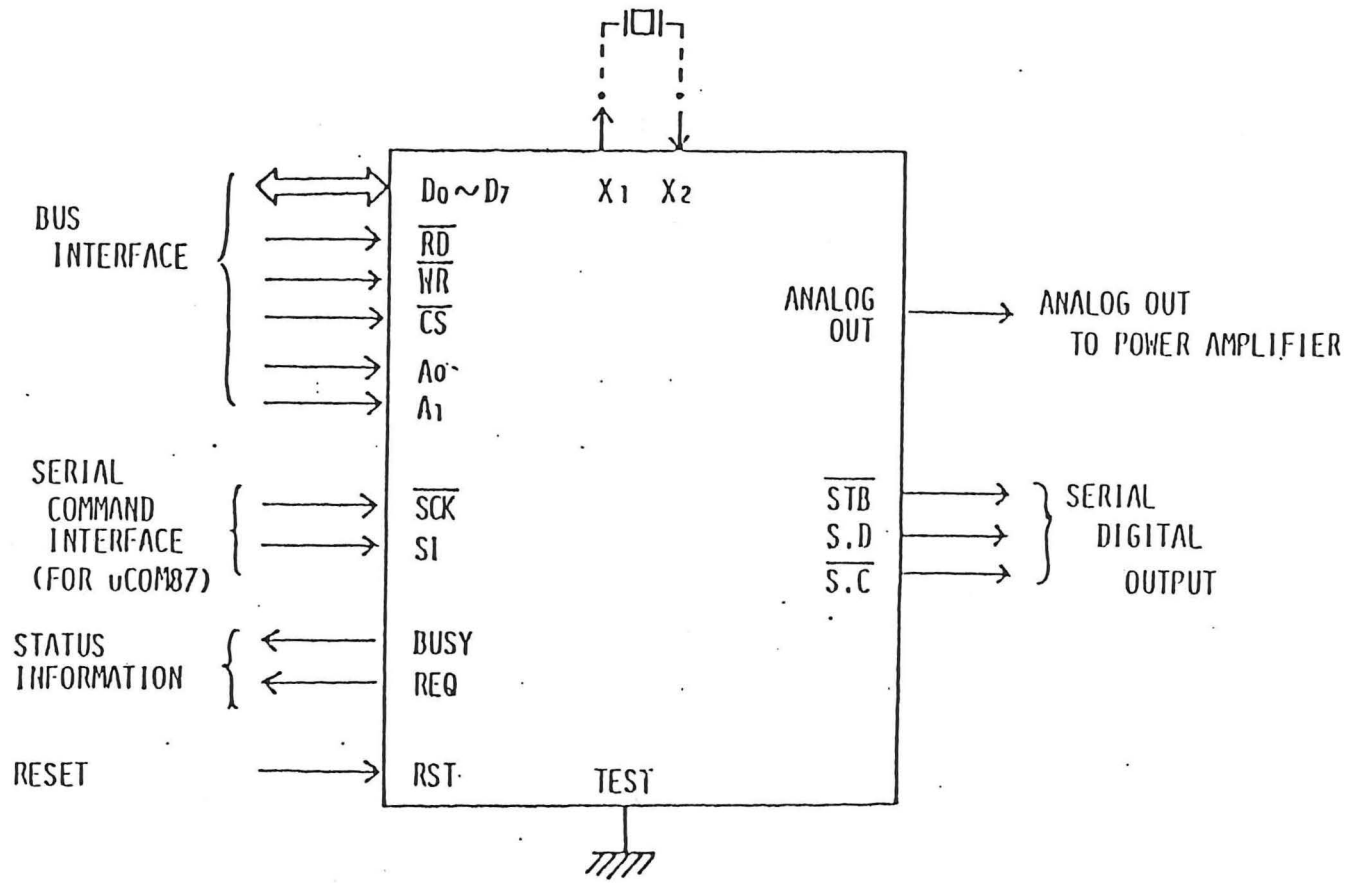
FEATURES

- FORMANT TYPE SPEECH SYNTHESIZER
- VARIABLE BIT RATES 1.2 k - 5.6 k BPS
- PROGRAMMABLE SPEECH SPEED SLOW / NORMAL / FAST
- PROGRAMMABLE FRAME PERIOD 10 ms / 20 ms
- INTERNAL DATA ROM 32 k BITS (MAX 27 s)
- MAX 63 SENTENCES (WORDS)
- FULLY BUS COMPATIBLE WITH μ PD8080
- SERIAL INTERFACE COMPATIBLE WITH μ COM87, μ PD75XX
- 9 BITS DA CONVERTER ON CHIP
- 7 x 8 BITS INPUT BUFFER FOR EXTERNAL DATA MEMORY
- CLOCK GENERATOR ON CHIP (3.579545MHz)
- C-MOS SILICON GATE TECHNOLOGY
- SINGLE +5V POWER SUPPLY
- 28 PIN DUAL IN-LINE PACKAGE

PIN CONFIGURATION (TOP VIEW)



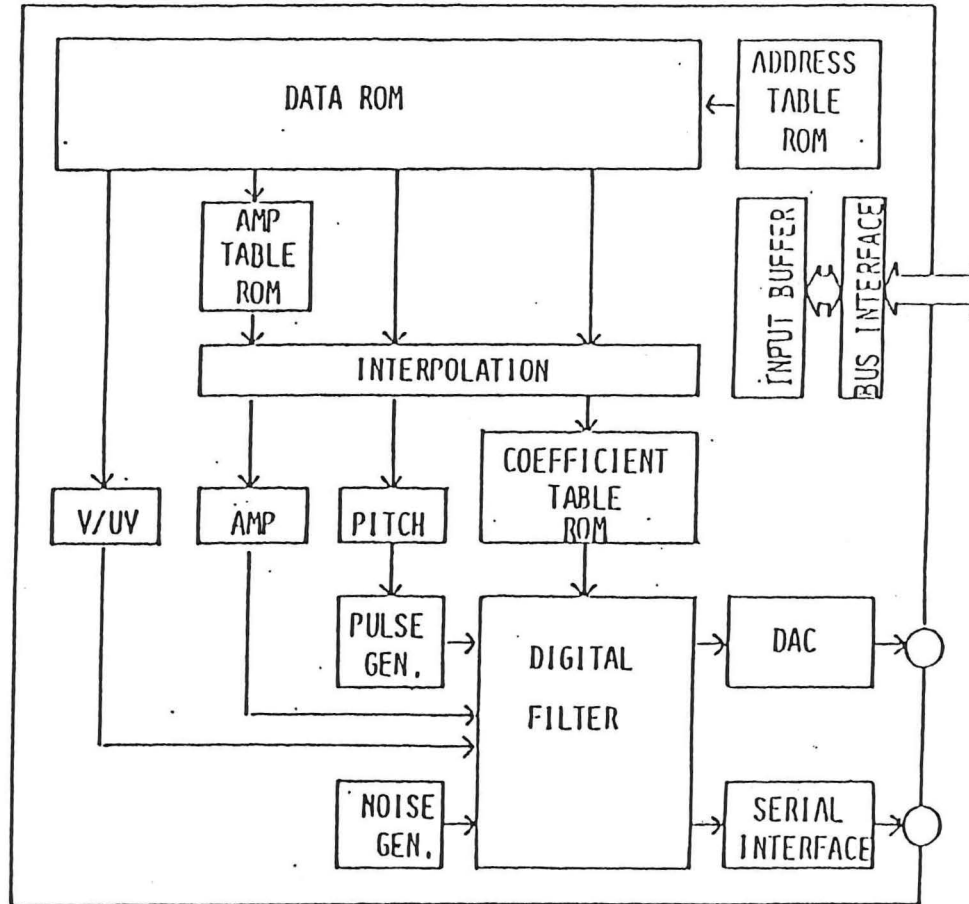
NEC



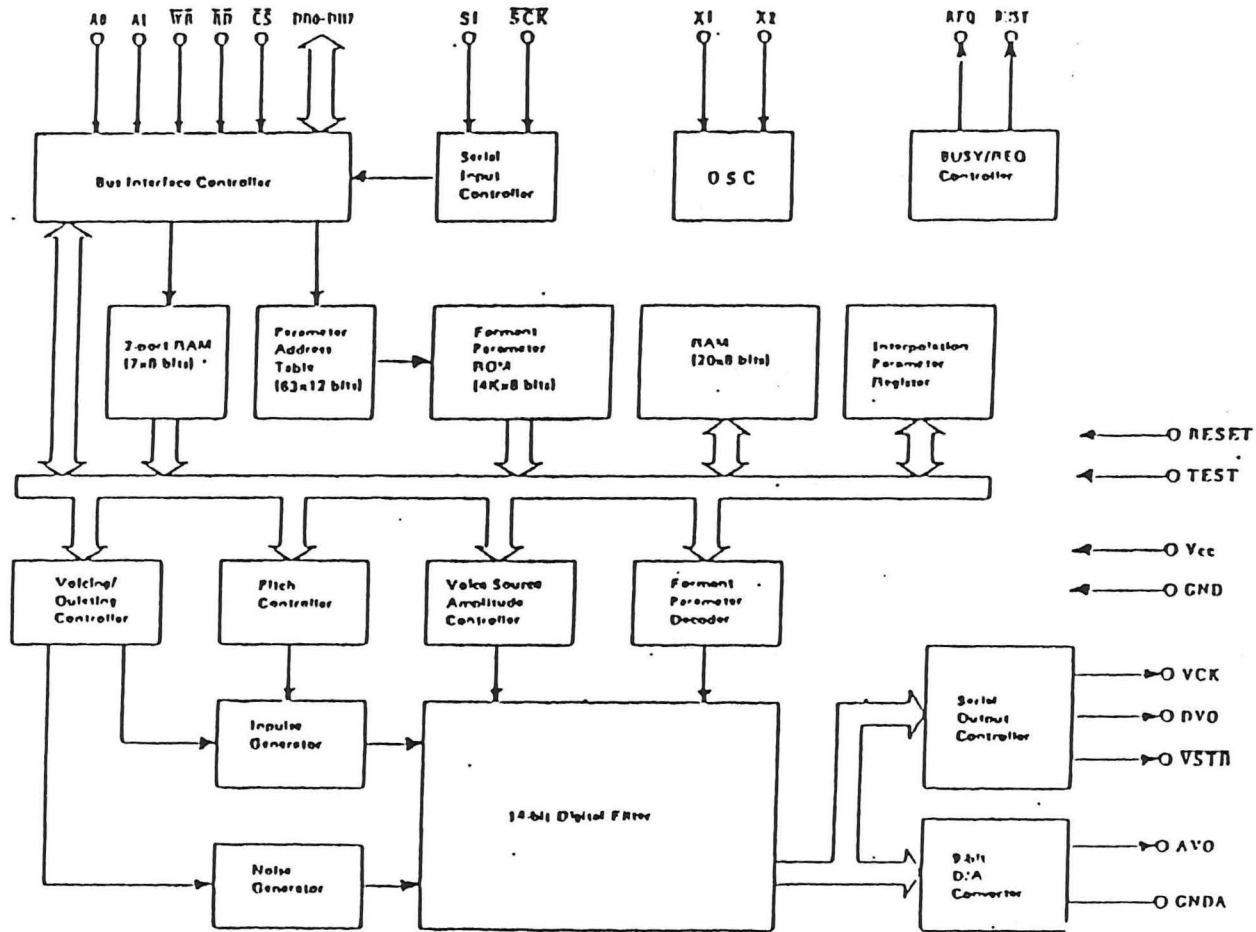
PIN FUNCTION

NEC

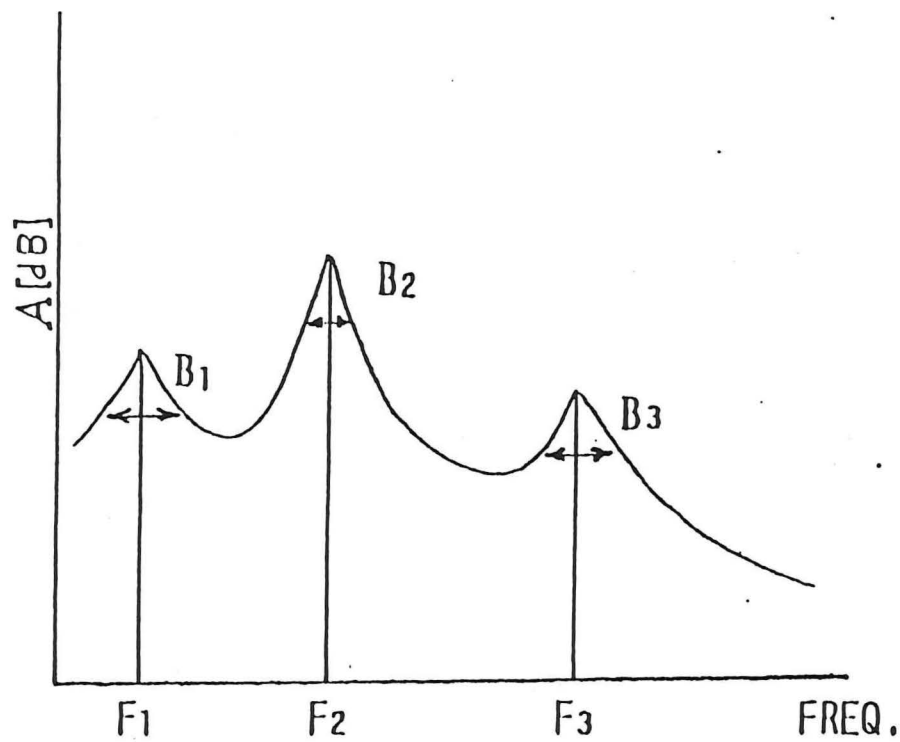
BLOCK DIAGRAM



BLOCK DIAGRAM



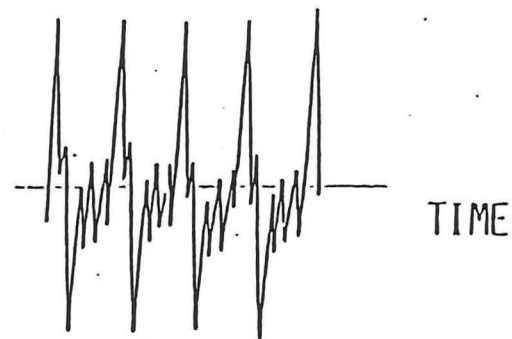
NEC



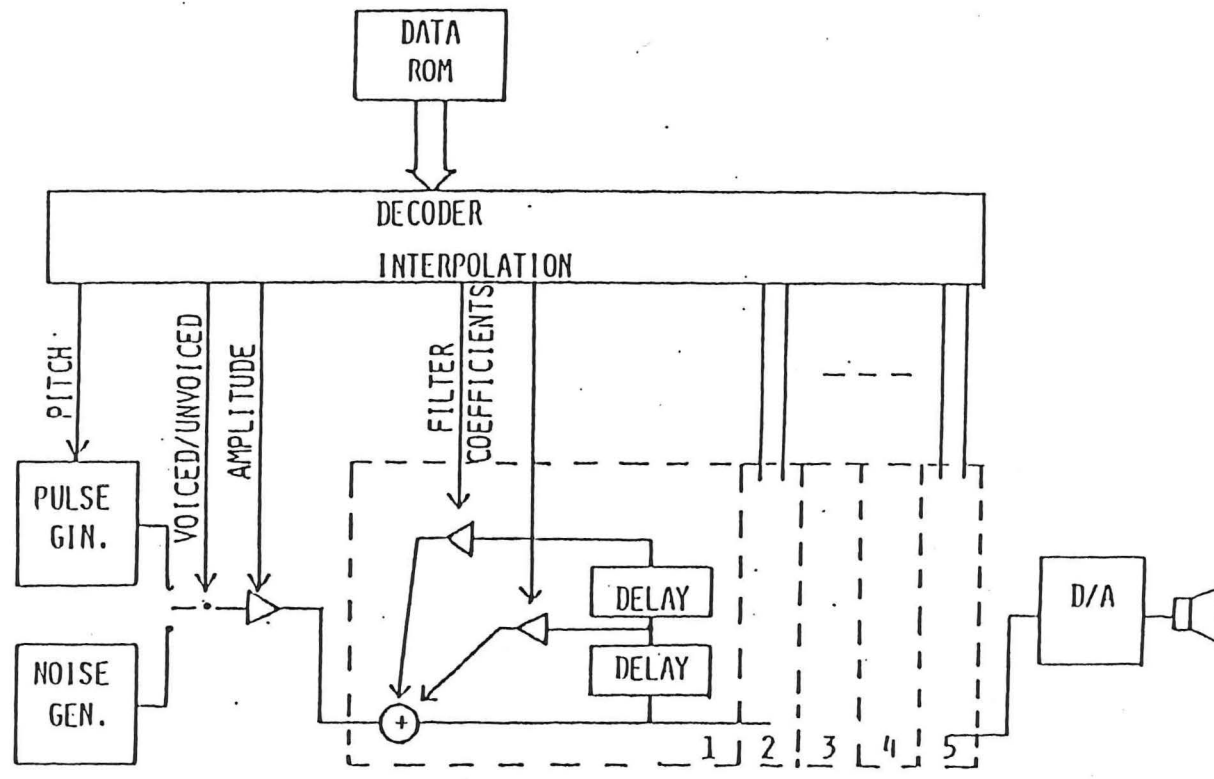
FREQUENCY RESPONSE OF VOCAL TRACT

F_1 : FORMANT FREQ.

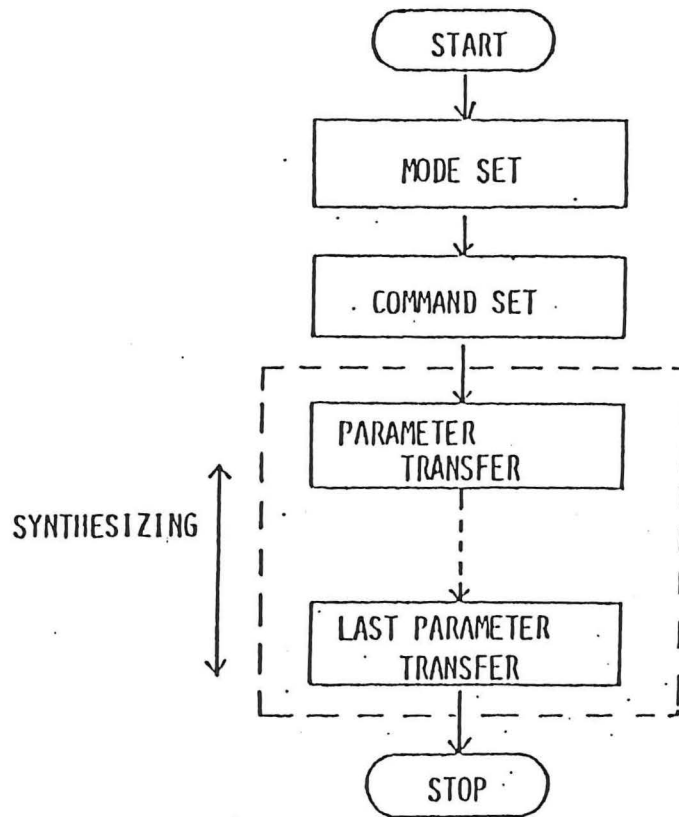
B_i : BAND WIDTH



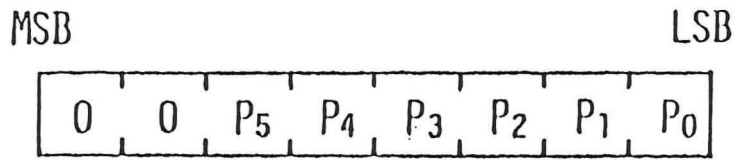
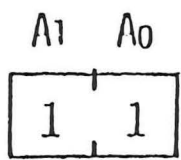
ACOUSTIC WAVEFORM



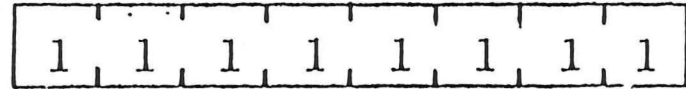
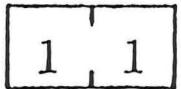
FUNDAMENTAL FORMANT TYPE SPEECH SYNTHESIS ALGORITHM



THIS CHIP WILL AUTOMATICALLY
ISSUE THIS SEQUENCE WHEN
INTERNAL DATA ROM IS SELECTED.



INTERNAL SENTENCE SELECTION COMMAND
 P₀~P₁ BITS SHOW SENTENCE NUMBER:



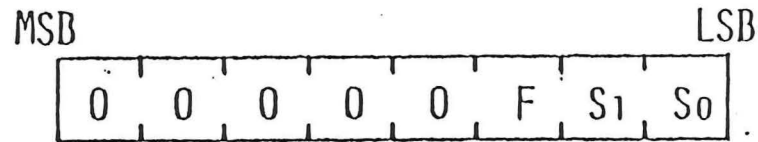
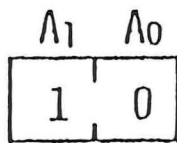
STOP COMMAND



EXTERNAL SENTENCE SELECTION COMMAND

COMMAND FORMAT

NEC



F : FRAME RATE BIT

F = 0 20 ms / FRAME

F = 1 10 ms / FRAME

S₁, S₀ : SPEED BIT

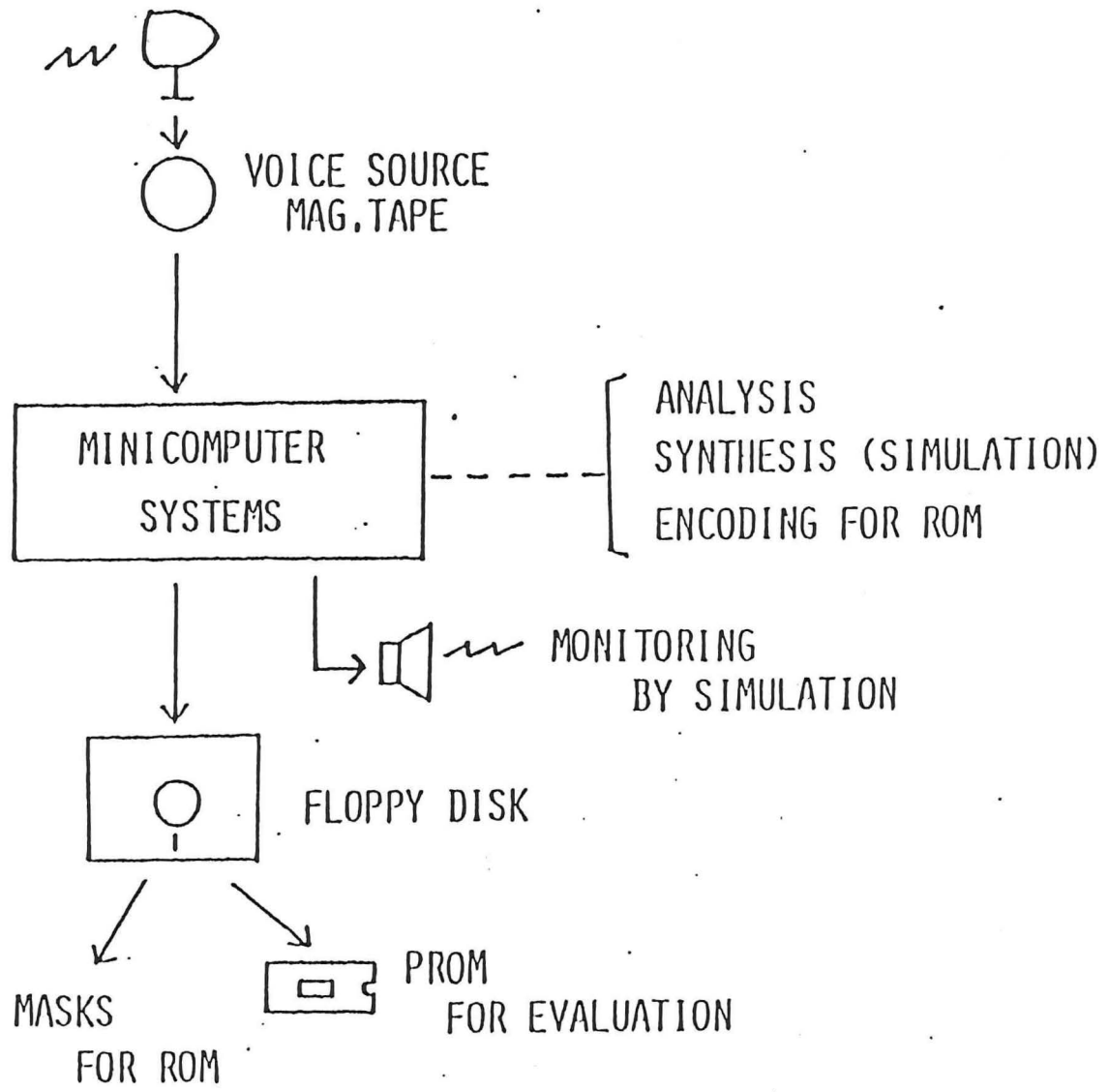
S₁ = 0 , S₀ = 0 NORMAL SPEED

S₁ = 0 , S₀ = 1 SLOW

S₁ = 1 , S₀ = 0 FAST

MODE FORMAT

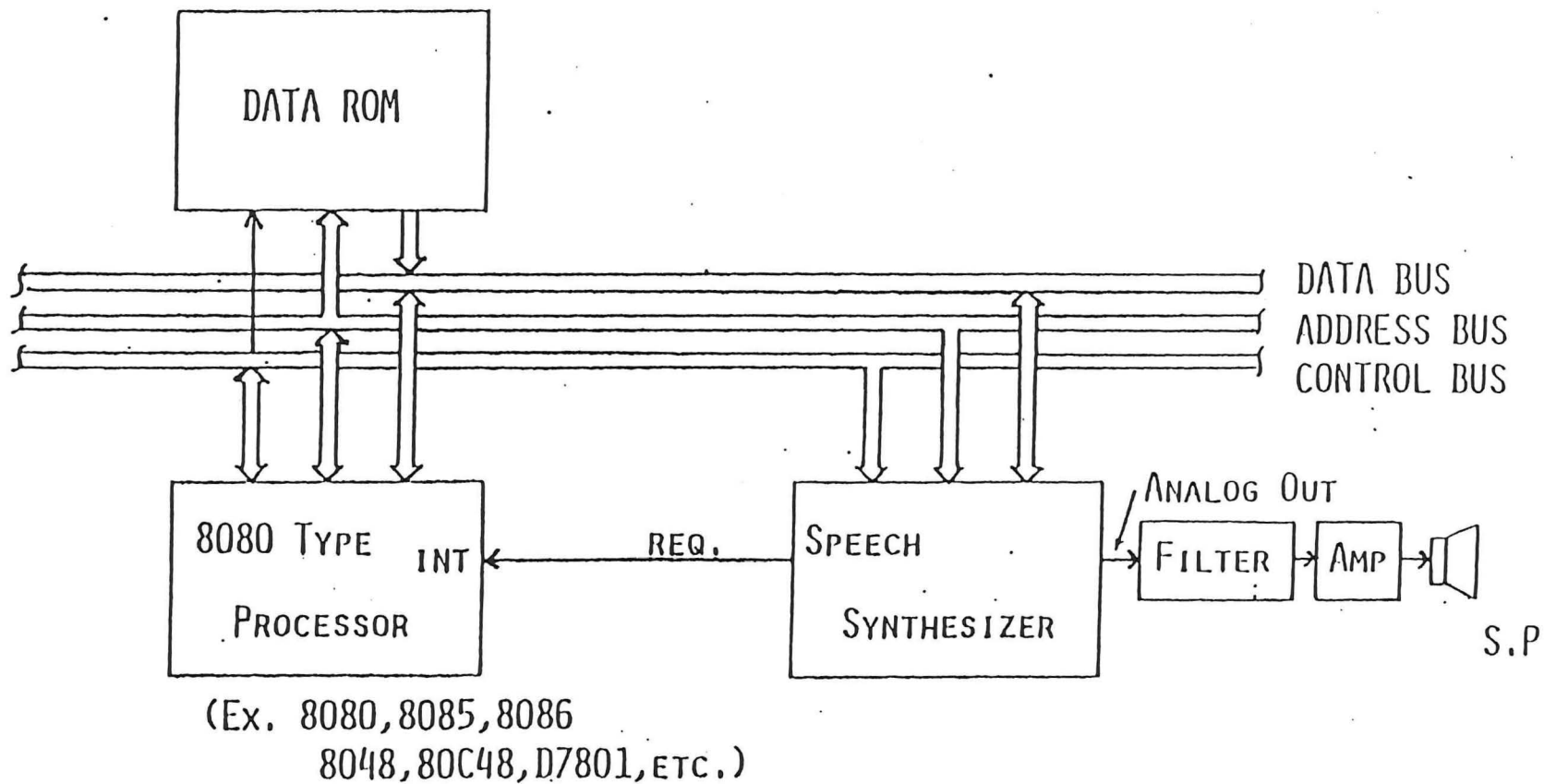
NEC



COMPUTER ANALYSIS SYSTEMS

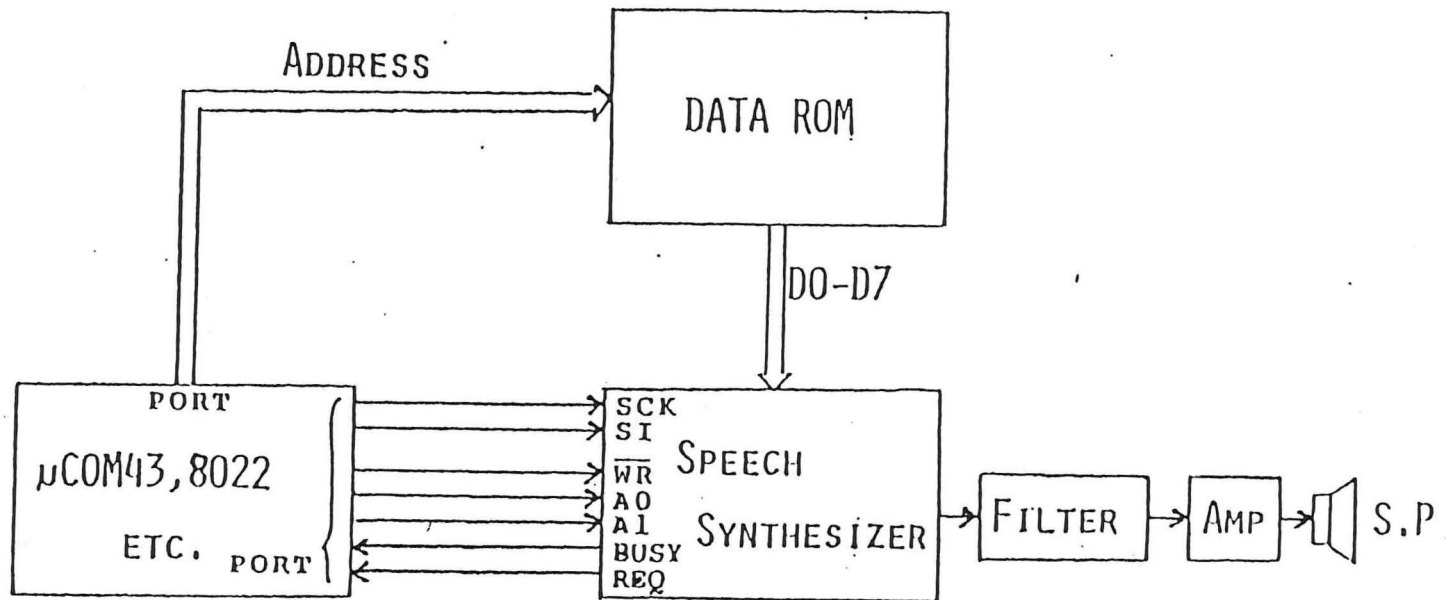
NEC

11/14



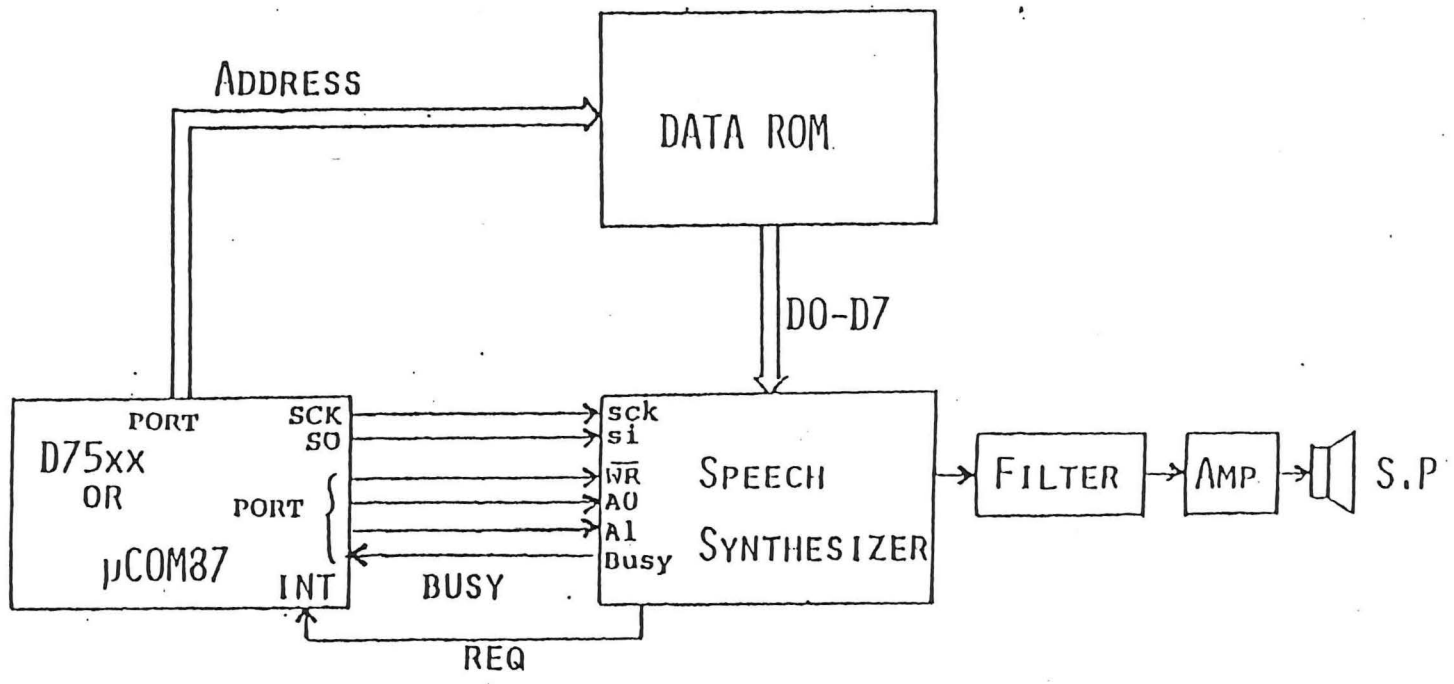
SYSTEM EXAMPLE 1.

NEC



SYSTEM EXAMPLE 3.

NEC



SYSTEM EXAMPLE 2.

NEC