

MODEL ADO'S ALL  
BULLETIN NO. 61136 SHEET 1 OF 6  
DATE 10/86 BK-8610-11

*Completed*  
*11-26-86*  
*JWD*

### V-PROCESSOR ADO ACCUMULATOR ROUND-OFF NOISE (WHITE DOTS)

#### I. APPLICABILITY

All ADO/ATX's equipped with V-PROCESSOR PWA, P/N 1420029-01 thru -02.

(Note: Systems which were updated to version 5.0 have this modification already included.)

#### II. PURPOSE

To prevent white dots in the Luminance Video Output.

#### III. DISCUSSION

A small circuit modification is done on the V-Processor which improves the operation of the accumulator circuit 6K. This problem shows up as white dots in the picture, particularly if the black is crashed in the incoming video. This problem became more visible when Version 5.0 was introduced. It is also visible on Version 6.0 machines if the modification is not incorporated.

#### IV. PARTS REQUIRED

None.

MODEL	ALL ADO'S	
BULLETIN NO.	61136	SHEET 2 OF 6
DATE	10/86	BK-8610-11

## V. PROCEDURE

1. Remove the V-Processor from the Signal System.
2. Lift pin 3 on IC 6K from socket.
3. Using 30 AWG kynar wire, make a component side connection from IC 6K pin 3 (lifted pin) to IC 6K pin 20 (+5V).
4. Return the PWA to the chassis and verify that it works properly.

**AMPEX**

Ampex Corporation  
REDWOOD CITY, CALIFORNIA

**LIST OF MATERIALS**

F.E.B. 61136 - BK-8610-11

CODE: PM 8

PRINTED WIRING ASSEMBLY  
VERTICAL PROCESSOR

LIST OF MATERIALS NO.  
1420029

REVISION S

ITEM NO.	PART NUMBER	DESCRIPTION	REF DESIG	QTY REQD PER DASH NUMBER																
				-01	-02	-03														
1	1420030	PRINTED WIRING BOARD		-01	-02	-03														
2																				
3	1420031	SCHEMATIC		G	N	P														
4																				
5	1409670-BA	LABEL, EXTRACTOR ARM, PWA		1	1	1														
6	1409976-AA	INSULATOR, STIFFENER		1	1	1														
7	1409976-AB	INSULATOR, STIFFENER		1	1	1														
8	1409997-AA	STIFFENER, PWB		1	1	1														
9	1409997-AB	STIFFENER, PWB		1	1	1														
10																				
11	1420266-01	PROM ASSY REF: TBP18S030	3M	1	1	1														
12	1420267-01	PROM ASSY REF: TBP18S030	7E	1	1	1														
13	1420268-01	PROM ASSY REF: TBP18S22	6G	1	1	1														
14	1420269-01	PROM ASSY REF: TBP28S42	4A	1	1	1														
15	1420278-01	PROM ASSY REF: TBP18S22	7S	1	1	1														
16	1420279-01	PROM ASSY REF: TBP18S22	8U	1	1	1														
17	1420280-01	PROM ASSY REF: TBP28S42	4E	1	1	1														
18																				
19	037-965	CAPACITOR, TANT., 120uf, 10v, +/-20%	C1,43	2	2	2														
20	064-652	CAPACITOR, CER., .01uf, 50v, +/-20%	C50,51	2	2	2														
21	064-653	CAPACITOR, CER., .1uf, 50v, +/-20%	C2-42,44-49 52-91	88	88	88														
22																				
23	000-007	IC, 25S10	1F,G,H,A,B 1C,D,E	8	8	8														
24	000-011	IC, 2125H-1	8A,C,B,D,E,F 8G,H,I,9A,B,C 9D,E,F,G,H,J 10A,B,C,D,E 10F,G,H,J	27	27	27														
25	589-837	IC, 74S00	4J,5P,6P	3	3	3														
26	589-838	IC, 74S04	4K,5P,6S,7R	4	4	4														
27	001-091	IC, 74S112	6R	1	1	1														
28	590-842	IC, 74S157	2T,4P	2	2	2														
29	000-152	IC, 10125	3I,3K	2	2	2														
30	590-543	IC, 10116	2J	1	1	1														
31	590-843	IC, 74S85	7B,C,D	3	3	3														
32	589-823	IC, 74LS138	1R,1S	2	2	2														
33	590-845	IC, 74S32	10T	1	1	1														
34	001-077	IC, 10176	2K	1	1	1														
35	589-839	IC, 74S08	5U	1	1	1														

LM-1420029

AMPEX

Ampex Corporation  
REDWOOD CITY, CALIFORNIA

CODE IDENT NO

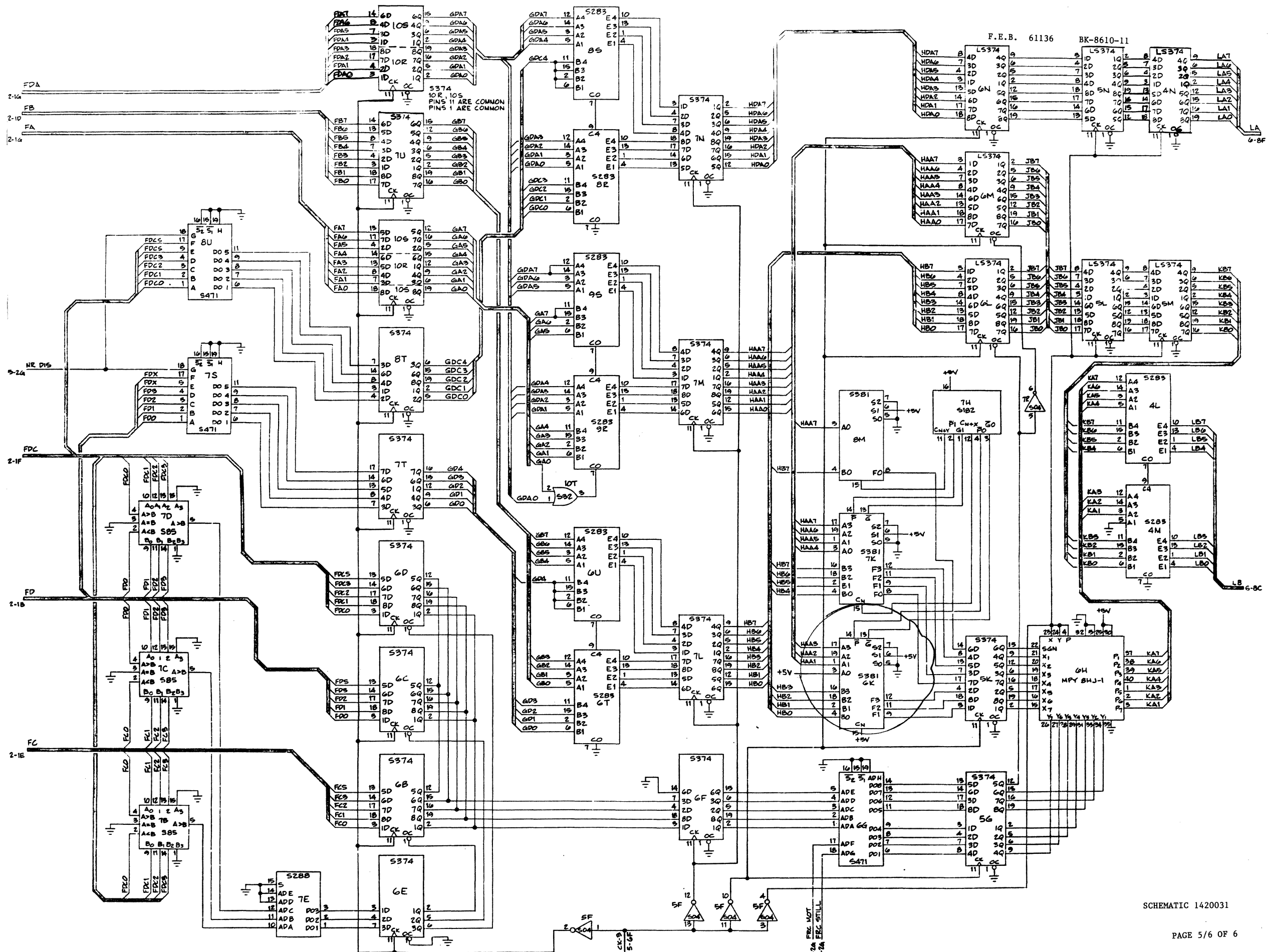
92739

LIST OF MATERIALS

F.E.B. 61136 - BK-8610-11

ITEM NO.	PART NUMBER	DESCRIPTION	REF DESIG	QTY REQD PER DASH NUMBER					
				-01	-02	-03			
36	589-821	IC, 74LS85	3R,S,U,T 4R,S	6	6	6			
37	589-850	IC, 74S163	10L 5R,S,T,8L,9L	6	6	6			
38	000-127	IC, 74S381	6K,7K,8M 3A,C,D,E,G,H	9	9	9			
39	590-335	IC, 74LS273	2R,S,4T,U	4	4	4			
40	590-859	IC, 74S182	4D,H,7H	3	3	3			
41	590-584	IC, 74LS244	2A,C,E,G	4	4	4			
42	590-855	IC, 74S374	1L,M,N,P,2B,D,F,H,M 3L,P,4B,C,F,G,5A,B 5E,G,K,6A,B,C,D,E,F 7F,G,J,L,M,N,T,U,8K 8T,9K,N,10K,M,N,P,R 10S	44	44	44			
43	590-586	IC, 74LS374	2N,P,3B,F,N,4N,5L,M 5N,6L,N,M	12	12	12			
44	000-128	IC, 74S283	4L,M,6T,U,8R,S,9R,S	8	8	8			
45	590-868	IC, 74S244	2L	1	1	1			
46	590-227	IC, 25SC9	1U,T,2U,5C,D,9M,8N	7	7	7			
47	590-987	IC, MPY-8HJ-1	6H	1	1	1			
48									
49	039-329	RESISTOR NETWORK, 470 OHMS	RP1	1	1	1			
50	066-811	RESISTOR, C.F., 51 OHMS, 1/2 WATT, 5%	R1-4	4	4	4			
51	066-818	RESISTOR, C.F., 470 OHMS, 1/2 WATT, 5%	R5	1	1	1			
52	066-838	RESISTOR, C.F., 330 OHMS, 1/2 WATT, 5%	R6-7	2	2	2			
53									
54									
55	582-333	IC MTG HDW, SOCKET, 20 PIN	REF: 1L,M,N,P,2A 2B,C,D,E,F,G,H,L 5A,2M,N,P,R,S,3A,B,C 5B,3D,E,F,G,H,L,N,P 5E,4A,B,C,E,F,G,N,T 5G,4U,5M,N,5A,B,C,D 5K,6E,F,G,K,L,M,N 5L,7F,G,J,K,L,M,N,S 7T,U,8K,M,T,U,9K 9N,10K,M,N,P,R,S	79	79	79			
56	582-330	IC MTG HDW, SOCKET, 14 PIN	REF: 5F,P,U,6P,S 7R,10T,4J,K	9	9	9			
57	582-282	IC MTG HDW, SOCKET, 40 PIN	REF: 6H	1	1	1			
58	582-331	IC MTG HDW, SOCKET, 16 PIN	REF: 1A,C,B,D,E,F 1G,H,R,S,T,U,2I,K 2T,U,3J,K,M,R,S,T 3U,4D,H,L,M,P,R,S 5C,D,R,S,T,6R,T,U 7B,C,D,E,H,8A,B,C 8E,F,G,H,J,L,N,R 8S,9A,B,C,D,E,F,G 9H,J,L,M,R,S,10A 10B,C,D,E,F,G,H 10J,L,8D	79	79	79			
59									
60	471-060	SCREW, PAN HD, X-REC, 4-40 X .250 LG.		6	6	6			
61	493-005	NUT, HEX, NYLON LOCK, 4-40		6	6	6			
62	530-477	ENCLOSURE PART, CARD INSERTER/EXTRACTOR		2	2	2			
63	501-662	WASHER, PLAIN, MYLAR NO. 4		-	-	-			

LM-1420029



SCHEMATIC 1420031

**AMPEX**