

AMT

DAP Series

Combined Index
of
AMT technical manuals

(man027.01)

Typographical conventions:

The following typographical conventions are used in this manual:

- The three-letter manual identification codes are shown in **BOLD FACE**
- Names of commands or similar items mentioned in an entry are shown in **typewriter-style bold face**
- Commands in UNIX are conventionally shown in lower case and commands in VAX/VMS in upper case. Where possible, this practice is followed in this manual
- Parameters or text that would be replaced by other text in what you type in or what the computer outputs are shown in *italics*











A

A plane **APL**: 8, 51, 87, 175
A register, activity control **TOV**: 9 - 11, 55 - 56
A-section **PDT**: 7, 15 - 17, 29, 55
A03 - Variable precision arithmetic **GSL**: 17 - 20
A03_ADD_PLANES_I1 **GSL**: 18
Abbreviated entry - **psam** **PDU**: 56
ABS_THRESH_8 **IPL**: 54
Access to the General Support Library **GSL**: 3
Accessing a standard bit pattern **APL**: 93
Accounting facilities **SMV**: 45
ACCOUNTING qualifier **SMV**: 35, 46
Accumulator, Q register **TOV**: 9 - 10, 11
Active memory **TOV**: 1
Activity control **APL**: 3, 55, 59
FPL: 159
TOV: 9 - 11, 55 - 56
Actual arguments **FPL**: 37, 127, 131, 149
Actual parameter **APL**: 132
ADATUM **DET**: 31
add **DET**: 44, 55
Adding synonyms **PDV**: 87
/ADDITIONAL_STACK - (DLINK) **PDV**: 26
ADDR field **APL**: 49, 61
ADDR - store plane address **TOV**: 16
Address:
absolute **DET**: 25, 31
byte **DET**: 25, 30
use of absolute **DET**: 30
word **DET**: 25
Address field **APL**: 172
Address manipulation functions **DSC**: 17
Address translation **DVD**: 23, 32
Addressing **APL**: 61 - 75
construct **APL**: 71
modes (A; B; C; D; E) **APL**: 61
Addressing DAP store **DVD**: 26, 32, 63
Addressing errors **PDV**: 71
PDU: 51

ADD_8 **IPL**: 34
Adjustable dimensions **FPL**: 96
Aggregate functions **FPL**: 40
IFP: 17, 19
TOV: 61 - 64
Alias **APL**: 22
Aliases (**daplib**) **PDU**: 65
ALIGN
PLANE-ALIGN, ROW-ALIGN **APL**: 31
Alignment caused by **EQUIVALENCE** **FPL**: 112
Alignment of objects within array store **FPL**: 109
ALIMIT **DET**: 31
ALL **FPL**: 40
Alphanumeric characters **FPL**: 13
ALT **FPL**: 40
ALTC **FPL**: 40
Altering switch word bits **DET**: 38
Altering test element parameters **DET**: 37
ALTERNATE **APL**: 95
FPL: 162
ALTERNATE mapping **PDT**: 68, 70
ALTERNATE standard mappings **PDT**: 68 - 70
ALTERNATE_RM mapping **PDT**: 69, 70
ALTR **FPL**: 40
AMT supplied interface routines **PDV**: 2, 33
specifications **PDV**: 167
AMT text libraries **SMV**: 44
AMTCDEFS.TLB **SMV**: 44
AMTFORDEFS.TLB **SMV**: 44
APALDEF.TLB **SMV**: 44
DAPEDEF.TLB **SMV**: 44
amt4_write_dev **DVD**: 20
amt4_close_dev **DVD**: 15, 18
DSC: 14
amt4_control_dev **DVD**: 15, 18, 31
DSC: 16
amt4_log_addr **DVD**: 23, 32
DSC: 17

Combined Index - manual reference codes

APL APAL Language (man005.03)
DET Engineering Test Software (man008.04)
DSC DAP System Calls (man023.01)
DSP Signal Processing Library (man013.03)
DVD Writing Device Drivers (man016.02)

FPL FORTRAN-PLUS Language (man002.03)
GRA Low Level Graphics Library (man017.04)
GSL General Support Library (man010.02)
IFP Introduction to FORTRAN-PLUS (man001.03)
IPL Image Processing Library (man014.03)

PDT Parallel Data Transforms (man022.02)
PDU Program Development under UNIX (man003.03)
PDV Program Development under VAX/VMS (man004.03)
SMV Systems Management under VAX/VMS (man020.01)
TOV Technical Overview (man006.02)

amt4_open_dev DVD: 15 - 16
 DSC: 13
amt4_read_dev DVD: 15, 20
 DSC: 14
amt4_user_addr DSC: 17
amt4_utol_addr DSC: 18
amt4_write_dev DVD: 15
 DSC: 15
amt5_close DSC: 8
amt5_open DSC: 3
amt5_read DSC: 6
amt5_seek DSC: 5
amt5_start DSC: 9
amt5_stop DSC: 9
amt5_tell DSC: 4
amt5_timer DSC: 11
amt5_write DSC: 7
AMTCDEFS.TLB SMV: 44
AMTDAP_1 process SMV: 35
AMTDAP_1.LOG SMV: 33, 34, 36, 37, 39, 41
AMTEDEF SMV: 44, 49
AMTFORDEFS.TLB SMV: 44
AMT_PDT_LOG PDT: 2, 37
AMT_PDT_POW PDT: 2, 37
 Analysing dump files PDV: 81
 Analysing dump files (**dapdb**) PDU: 59
and DET: 44
ANDCOLS FPL: 41
ANDROWS FPL: 41
ANSWER button SMV: 27, 28, 30
ANY FPL: 41
APAL DVD: 23
APAL assembler PDU: 74
 PDV: 95 - 109
 error messages PDU: 103
 PDV: 135 - 140
 preprocessor PDU: 72
 PDV: 106
 input and output PDU: 74
 listing and messages PDU: 75
 trace PDU: 53, 82
 PDV: 44 - 45, 73, 108

APAL assembly language TOV: 5, 24, 42 - 49
APAL assembly system PDU: 71 - 83
APAL command - (**PSAM**) PDV: 77
APAL example code TOV: 48 - 49
APAL instruction APL: 47 - 60, 179
 keyword APL: 15, 145 - 147
 mnemonics APL: 145, 175 - 178
 module APL: 21, 44
 program examples APL: 151 - 159
 program format APL: 13 - 19
 program structure APL: 21 - 26
 summary APL: 51
 syntax APL: 161 - 174
APAL Language APL:
APAL routines in FORTRAN-PLUS programs IFP: 68
APAL users' display controls (**psam**) PDU: 57
 (**PSAM**) PDV: 77

APALDEF.TLB SMV: 44
/APAL_TRACE - (**DOPTIONS**) PDV: 44
 Apostrophe constant FPL: 28
 Applications TOV: 1, 26, 38 - 41
 Applications support libraries TOV: 26, 67 - 80
 Architecture of the DAP TOV: 7
 Areas in the DAP program block PDV: 24
 Areas of DAP 500 available to a code section
 APL: 86
 Areas of the DAP program block PDU: 22
 Argument association FPL: 147
 Arguments FPL: 85
 actual arguments FPL: 37, 88, 127, 131, 148
 Arguments in subroutines IFP: 65
 Arguments of driver primitives DVD: 30
 Arithmetic and logical IF statement FPL: 8, 139
 Arithmetic expressions FPL: 64, 123
 Arithmetic in FORTRAN-PLUS IFP: 11 - 29
 arithmetic operators IFP: 14
 FPL: 65
 Arithmetic objects FPL: 19
 Arithmetic test APL: 123

 Combined Index - manual reference codes

APL APAL Language (man005.03)
DET Engineering Test Software (man008.04)
DSC DAP System Calls (man023.01)
DSP Signal Processing Library (man013.03)
DVD Writing Device Drivers (man016.02)

FPL FORTRAN-PLUS Language (man002.03)
GRA Low Level Graphics Library (man017.04)
GSL General Support Library (man010.02)
IFP Introduction to FORTRAN-PLUS (man001.03)
IPL Image Processing Library (man014.03)

PDT Parallel Data Transforms (man022.02)
PDU Program Development under UNIX (man003.03)
PDV Program Development under VAX/VMS (man004.03)
SMV Systems Management under VAX/VMS (man020.01)
TOV Technical Overview (man006.02)

Array

board numbering

DAP 500 DET: 96

DAP 600 DET: 102

edge dimension APL: 12

indexing FPL: 80

memory DET: 25

TOV: 3, 10, 13, 19

address TOV: 16

fault location - DAP 500 DET: 99

fault location - DAP 600 DET: 102 - 103

location of boards - DAP 500 & 600 DET: 98

processor array TOV: 8, 10, 12, 20 - 21

store APL: 4

PDU: 22

PDV: 24, 77

address APL: 4, 29, 61, 71, 72, 79, 172

support unit DET: 33

TOV: 18, 20 - 21

tests - running DET: 11

Arrays FPL: 35

declaring arrays FPL: 95

naming arrays FPL: 36

referencing arrays FPL: 36

/ARRAY_MAXIMUM (DAPMAN) PDV: 61, 64

ASCII accounting file SMV: 43

Assembler

diagnostics PDU: 81

PDV: 104

input files PDV: 97

listing and messages PDV: 98

output files PDV: 97

Assembly-time

expression APL: 103

facilities APL: 101 - 125

TOV: 47

statement APL: 164

values APL: 101, 132, 163

variable APL: 15, 21, 104

Assignment IFP: 5, 11

indexed assignment IFP: 46

simple assignment IFP: 11

Assignment statements FPL: 7, 126, 131

Association FPL: 32

asstate DET: 33, 51

ASU DET: 33

Asynchronous operation DVD: 3, 15, 25

FORTRAN-PLUS example DVD: 21

using **usend_reply** DVD: 31

ATAN FPL: 38

auto DET: 8, 19, 34, 51

auto macro DET: 47

AUTO> prompt DET: 8

autocycle DET: 19, 34, 38, 51

AUTOGEN SMV: 20

Automatic testing DET: 8, 19

AUTOSEQUENCE5/6 DET: 47 - 48

AVERAGE_8 IPL: 66

Combined Index - manual reference codes

APL APAL Language (man005.03)
 DET Engineering Test Software (man008.04)
 DSC DAP System Calls (man023.01)
 DSP Signal Processing Library (man013.03)
 DVD Writing Device Drivers (man016.02)

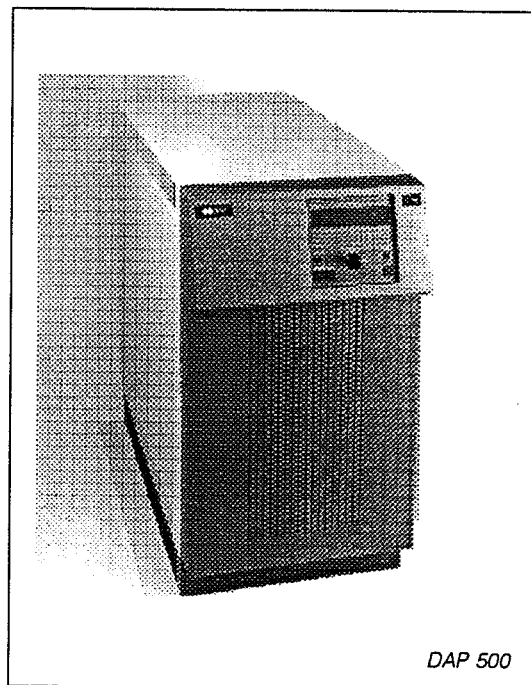
FPL FORTRAN-PLUS Language (man002.03)
 GRA Low Level Graphics Library (man017.04)
 GSL General Support Library (man010.02)
 IFP Introduction to FORTRAN-PLUS (man001.03)
 IPL Image Processing Library (man014.03)

PDT Parallel Data Transforms (man022.02)
 PDU Program Development under UNIX (man003.03)
 PDV Program Development under VAX/VMS (man004.03)
 SMV Systems Management under VAX/VMS (man020.01)
 TOV Technical Overview (man006.02)

B

Backplane **DET**: 12
 DAP 500 **DET**: 96
 DAP 600 **DET**: 101
 Bank A/B **DET**: 19
 Basic integer **APL**: 16, 103
 Basic integer constant **FPL**: 25
 Batch processing **PDV**: 55, 60
BINARY_CHOP **APL**: 94
 FPL: 161
 Binary display for PE plane read commands
 DET: 29
 Bit patterns **FPL**: 161
 IFP: 23
 Bit patterns - standard **APL**: 93
 Bit reordering - swapbits **DVD**: 96
 Bit-reversal **PDT**: 35
BLOCK DATA statement **FPL**: 9, 107
 Block data subprogram **FPL**: 2, 107
 IFP: 72
 Block **IF** statement **FPL**: 8, 139
BOOT DAPOS **SMV**: 29
 Booting a DAP **SMV**: 35 - 39
BOX_IN_BOX_8 **IPL**: 68
BRESET keyword - kernel configuration file
 DVD: 41
/BRIEF - (DASSEMBLE) **PDV**: 99
/BRIEF - (DFORTRAN) **PDV**: 8
/BRIEF - (DLINK) **PDV**: 24
 Brief listing **PDV**: 8, 99
 Brief listing (**dapf**) **PDU**: 14
 Brief map **PDV**: 24, 26
 Brief map (**dapf**) **PDU**: 2
bufcopy - character copy function **DVD**: 88
 Built-in functions **FPL**: 38, 85
 IFP: 5, 9, 17, 66
 TOV: 35, 61 - 64
 aggregate functions **IFP**: 17, 19
 componental functions **IFP**: 17

Built-in subroutines **FPL**: 54, 85
 Bus error trapping - **set_bus_error** **DVD**: 90
 Buses available for the VAX **SMV**: 2



Combined Index - manual reference codes

APL APAL Language (man005.03)
DET Engineering Test Software (man008.04)
DSC DAP System Calls (man023.01)
DSP Signal Processing Library (man013.03)
DVD Writing Device Drivers (man018.02)

FPL FORTRAN-PLUS Language (man002.03)
GRA Low Level Graphics Library (man017.04)
GSL General Support Library (man010.02)
IFP Introduction to FORTRAN-PLUS (man001.03)
IPL Image Processing Library (man014.03)

PDT Parallel Data Transforms (man022.02)
PDU Program Development under UNIX (man003.03)
PDV Program Development under VAX/VMS (man004.03)
SMV Systems Management under VAX/VMS (man020.01)
TOV Technical Overview (man006.02)

C

- C flag **APL**: 11
 C flag, carry **TOV**: 15, 57 - 58
 C host program **DSC**: 9
 C Language interface **PDV**: 175
 C Language interface routines **PDU**: 137
 C plane **APL**: 51, 87, 175 - 178
 C register, carry **TOV**: 9 - 10, 10, 11,
 C-section **PDT**: 8, 15, 16
 C06 - Summation of series **GSL**: 21 - 30
C06_FFT_ESS **GSL**: 22
 IPL: 70
C06_FFT_LV **GSL**: 26
 IPL: 72
 Cable assembly (DR11-W/DRV11-WA) **SMV**: 10
 Cable assembly (DRB32) **SMV**: 5
 Cables **SMV**: 3
 Calculating faulty memory board location
 DAP 500 **DET**: 99
 DAP 600 **DET**: 102
CALL **IFP**: 55, 65, 66
CALL statement **FPL**: 8, 54, 137
 Calling a macro **APL**: 131
 Calling another code section **APL**: 87
 ' **CALLNAME** (macro) **APL**: 88
 ' **CALLPARAM** (macro) **APL**: 89
 Carry propagation **APL**:
 in address evaluation **APL**: 63, 65, 68
 in array **APL**: 50
 Carry, C register **TOV**: 9 - 10, 11
CDATUM **DET**: 31
CES HVR - 8217 **SMV**: 5
CF_FFT1_In **DSP**: 12
CF_FFT1_Rn **DSP**: 14
CF_FFT_T_n_len_IN_m **DSP**: 34
CHANGE_MAP statement **PDT**: 44, 61
Change_screen routine **GRA**: 16
 Changing the effect of error detection **DET**: 18
 Character constant **FPL**: 28
 Character expressions **FPL**: 67, 133
 Character objects **FPL**: 23
 Character set **FPL**: 13
 Character set (ASCII) **APL**: 13, 149
 Character values
 format **APL**: 24
 internal representation **APL**: 37
 /**CHECKS - (DFORTRAN)** **PDV**: 20
 Chirp sine wave **DSP**: 62 - 65
 CHIRP_In **DSP**: 62
 CHIRP_Rn **DSP**: 64
 CIF files **PDU**: 4, 13
 CIF library
 creating (**daplib**) **PDU**: 63 - 70
 input to **dapf** **PDU**: 21
 linking with **PDU**: 68
 listing contents **PDU**: 65
 maintenance **PDU**: 63 - 70
CI_FFT1_In **DSP**: 16
CI_FFT1_Rn **DSP**: 18
CI_FFT_T_n_len_IN_m **DSP**: 39
CLASSIF **IPL**: 142
 Clearing **VRTX** message queue **DET**: 37
clearn - clear function **DVD**: 88
CLEAR_MAP_TABLE statement **PDT**: 24, 58
Clear_screen routine **GRA**: 17
CLIMIT **DET**: 31
CLOCK menu option **SMV**: 29
CLOSE primitive **DVD**: 4, 26, 33
 syntax **DVD**: 29
 Closing a device **DSC**: 14
 Closing a file **DSC**: 8
clrh **DET**: 42, 56
clrp **DET**: 37, 51
clrpl **DET**: 42, 56
clr_bus_error **DVD**: 90

Combined Index - manual reference codes

APL APAL Language (man005.03)
DET Engineering Test Software (man008.04)
DSC DAP System Calls (man023.01)
DSP Signal Processing Library (man013.03)
DVD Writing Device Drivers (man016.02)

FPL FORTRAN-PLUS Language (man002.03)
GRA Low Level Graphics Library (man017.04)
GSL General Support Library (man010.02)
IFP Introduction to FORTRAN-PLUS (man001.03)
IPL Image Processing Library (man014.03)

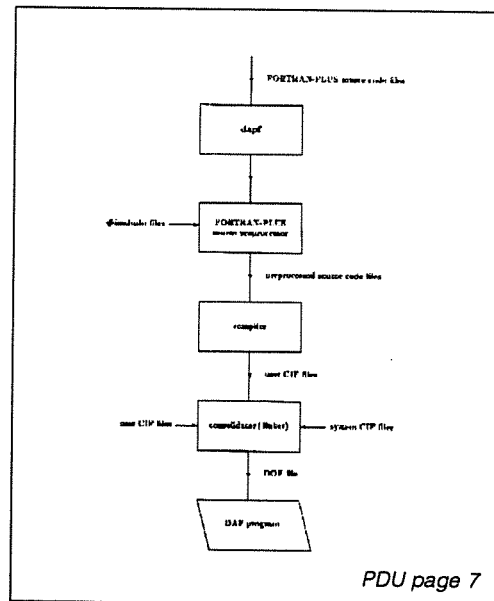
PDT Parallel Data Transforms (man022.02)
PDU Program Development under UNIX (man003.03)
PDV Program Development under VAX/VMS (man004.03)
SMV Systems Management under VAX/VMS (man020.01)
TOV Technical Overview (man006.02)

CODE APL: 43

Code

addresses **APL:** 38, 51, 75, 172area **PDU:** 25label **APL:** 15, 45, 75section **APL:** 43 - 46, 170**PDU:** 25**PDV:** 29**TOV:** 42 - 43section contents **APL:** 44section convention **APL:** 83 - 91store **APL:** 3, 4**PDU:** 22**PDV:** 24, 25**TOV:** 7, 8, 14, 15Codestore **DET:** 15 - 16, 43**/CODE_MAXIMUM (DAPMAN)** **PDV:** 62, 64**COL** **FPL:** 41**COLN** **FPL:** 41Colour construction functions **GRA:** 10Colour modes **GRA:** 2Direct colour mode **GRA:** 2Mapped colour mode **GRA:** 2Setting pixel colours explicitly **GRA:** 2**COLS** **APL:** 78**FPL:** 41Column (array store) **APL:** 4Column substitution **APL:** 112Command entry errors **DET:** 10Command execution errors **DET:** 10Command specifications **PDV:** 111 - 123**PDU:** 85 - 90Commands **DET:**array plane **DET:** 26image store **DET:** 26PE **DET:** 26Comment **APL:** 19, 162macro **APL:** 142Comment lines **FPL:** 5**/COMMENTS - (DFORTRAN)** **PDV:** 21**/COMMENTS - (DOPTIONS)** **PDV:** 53Comments (in a macro) **DET:** 41**COMMON** area **APL:** 28, 30Common block **GRA:** 1**COMMON** block **FPL:** 107, 115**IFP:** 67, 72, 73, 75, 85guidelines for constructing **IFP:** 75**COMMON** property **APL:** 28, 30, 83**COMMON** statement **FPL:** 116**COMMON_MAP** statement **PDT:** 26, 59

Communicating between host and DAP programs

FPL: 118

PDU page 7

Compilation and linking

In a Sun UNIX environment **GRA:** 5 - 8In a VAX/VMS environment **GRA:** 6Compilation diagnostics (**dapf**) **PDU:** 16Compilation options **DVD:** 41Compile-time error messages **PDT:** 71 - 72

Compile-time structure of FORTRAN-PLUS

programs **IFP:** 68Compiler listing and messages **PDU:** 13Complete array element name **FPL:** 148Complex forward FFT **DSP:** 12 - 15**CF_FFT1_I_n** **DSP:** 12**CF_FFT1_R_n** **DSP:** 14

Combined Index - manual reference codes

APL APAL Language (man005.03)
DET Engineering Test Software (man008.04)
DSC DAP System Calls (man023.01)
DSP Signal Processing Library (man013.03)
DVD Writing Device Drivers (man016.02)

FPL FORTRAN-PLUS Language (man002.03)
GRA Low Level Graphics Library (man017.04)
GSL General Support Library (man010.02)
IFP Introduction to FORTRAN-PLUS (man001.03)
IPL Image Processing Library (man014.03)

PDT Parallel Data Transforms (man022.02)
PDU Program Development under UNIX (man003.03)
PDV Program Development under VAX/VMS (man004.03)
SMV Systems Management under VAX/VMS (man020.01)
TOV Technical Overview (man006.02)

- Complex inverse FFT DSP: 16 - 19
CI_FFT1_In DSP: 16
CI_FFT1_Rn DSP: 18
- Componental functions FPL: 38
 IFP: 17
 TOV: 61
- Components IFP: 14, 29, 71, 80, 91
- Components of the APAL assembly system PDU:72
 PDV: 95
- Components of the FORTRAN-PLUS compilation system PDU: 6
 PDV: 5
- Compound statement APL: 175 - 178
- Computational error management FPL: 50, 154
 IFP: 80
- Computational errors FPL: 49, 154, 157
 PDU: 50
 PDV: 70
 and overflow FPL: 125
- Computed GO TO statement FPL: 138
- COMP_FFT_2D_16_TO_16** IPL: 83
COMP_FFT_2D_16_TO_24 IPL: 86
COMP_FFT_2D_24_TO_24 IPL: 89
COMP_FFT_2D_8_TO_16 IPL: 77
COMP_FFT_2D_8_TO_24 IPL: 80
COMP_FFT_2D_8_TO_8 IPL: 74
COMP_FFT_2D_REAL_3 IPL: 92
- Concatenation in substitutions APL: 119
- condat** global variable DVD: 37
- Conditional assembly APL: 120, 141
- Conditional transfers of control FPL: 138
- Configuration file (creation of) SMV: 16, 17, 52
- Configuration utility - dapconfig DVD: 39
- CONFIGURATION_FILE** qualifier SMV: 17, 36
- congen.h** file DVD: 46
- Connectivity TOV: 2, 3, 26
- Consolidator/linker PDU: 20
 diagnostics PDU: 27
 error messages PDU: 111
 messages and link map PDU: 21
- Consolidator Input Format (CIF) APL: 21, 22 97
 see also CIF files
- Constant mappings PDT: 19 - 24
 declaring PDT: 19 - 21
 remapping PDT: 21 - 22
- Constants FPL: 25
 IFP: 2, 7, 8, 16
- Constrained dimensions FPL: 96
 IFP: 9
- Constrained subscript positions FPL: 73
 IFP: 38, 39
- cont** DET: 8, 10, 19, 46, 51
- Continuation lines APL: 19, 31
 PDT: 12
 FPL: 5
- CONTINUE** - (DANALYSE) PDV: 82
CONTINUE - (PSAM) PDV: 76
CONTINUE statement FPL: 8, 120
 IFP: 56
- Control and Status Register SMV: 7, 8, 53
- Control parameters - DO statement FPL: 142
- CONTROL** primitive DVD: 4, 33
 syntax DVD: 30
- Control statements IFP: 55 - 63, 93
 FPL: 8
- Control variable - DO statement FPL: 141
- Controlling a device DSC: 16
- Controlling the output listing APL: 98
- Conversion of storage modes IFP: 73
- CONVEM1** FPL: 55
CONVEM2 FPL: 55
CONVEM4 FPL: 55
CONVEM8 FPL: 55
CONVEMD FPL: 55
CONVEME FPL: 55
CONVEMI FPL: 55
CONVEML FPL: 55
CONVHS1 FPL: 56
CONVHS2 FPL: 56
CONVHS4 FPL: 56
CONVHS8 FPL: 56
CONVHSD FPL: 56
CONVHSE FPL: 56
CONVHSI FPL: 56
CONVHSL FPL: 56
CONVHV1 FPL: 56
CONVHV2 FPL: 56
CONVHV4 FPL: 56
CONVHVD FPL: 56
CONVHVE FPL: 56

 Combined Index - manual reference codes

APL APAL Language (man005.03)
 DET Engineering Test Software (man008.04)
 DSC DAP System Calls (man023.01)
 DSP Signal Processing Library (man013.03)
 DVD Writing Device Drivers (man016.02)

FPL FORTRAN-PLUS Language (man002.03)
 GRA Low Level Graphics Library (man017.04)
 GSL General Support Library (man010.02)
 IFP Introduction to FORTRAN-PLUS (man001.03)
 IPL Image Processing Library (man014.03)

PDT Parallel Data Transforms (man022.02)
 PDU Program Development under UNIX (man003.03)
 PDV Program Development under VAX/VMS (man004.03)
 SMV Systems Management under VAX/VMS (man020.01)
 TOV Technical Overview (man006.02)

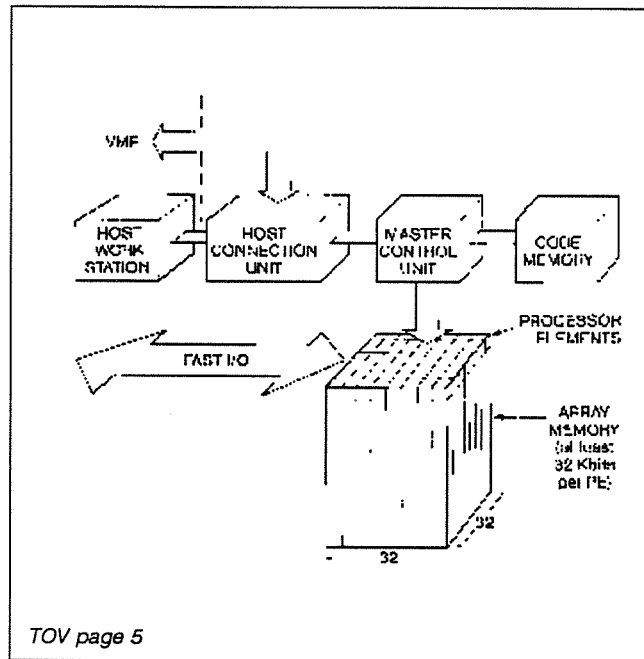
CONVHVI FPL: 56
 CONVHVL FPL: 56
 CONVMH1 FPL: 57
 CONVMH2 FPL: 57
 CONVMH4 FPL: 57
 CONVMHD FPL: 57
 CONVMHE FPL: 57
 CONVMHI FPL: 57
 CONVMHL FPL: 57
 CONVMV1 FPL: 59
 CONVMV2 FPL: 59
 CONVMV3 FPL: 59
 CONVMV4 FPL: 59
 CONVMV5 FPL: 59
 CONVMV6 FPL: 59
 CONVMV7 FPL: 59
 CONVMV8 FPL: 59
 CONVMVD FPL: 59
 CONVMVE FPL: 59
 CONVMVI FPL: 59
 CONVMVL FPL: 59

CONVVHD FPL: 58
 CONVVHE FPL: 58
 CONVVHI FPL: 58
 CONVVHL FPL: 58
 CONVVM1 FPL: 59
 CONVVM2 FPL: 59
 CONVVM3 FPL: 59
 CONVVM4 FPL: 59
 CONVVM5 FPL: 59
 CONVVM6 FPL: 59

Convolution routines TOV: 76 - 77

CONVOLVE_8 IPL: 94

CONVSH1 FPL: 58
 CONVSH2 FPL: 58
 CONVSH4 FPL: 58
 CONVSHD FPL: 58
 CONVSHH FPL: 58
 CONVSHI FPL: 58
 CONVSHL FPL: 58
 CONSVV1 FPL: 61
 CONSVV2 FPL: 61
 CONSVV3 FPL: 61
 CONSVV4 FPL: 61
 CONSVV5 FPL: 61
 CONSVV6 FPL: 61
 CONSVV7 FPL: 61
 CONSVV8 FPL: 61
 CONSVVD FPL: 61
 CONSVVE FPL: 61
 CONSVVI FPL: 61
 CONSVVL FPL: 61
 CONVVH1 FPL: 58
 CONVVH2 FPL: 58
 CONVVH4 FPL: 58



CONVVM7 FPL: 59
 CONVVM8 FPL: 59
 CONVVM9 FPL: 59
 CONVVM0 FPL: 59
 CONVVM1 FPL: 59
 CONVVM2 FPL: 59
 CONVVM3 FPL: 60
 CONVVM4 FPL: 60
 CONVVM5 FPL: 60

Combined Index - manual reference codes

APL APAL Language (man005.03)
 DET Engineering Test Software (man008.04)
 DSC DAP System Calls (man023.01)
 DSP Signal Processing Library (man013.03)
 DVD Writing Device Drivers (man016.02)

FPL FORTRAN-PLUS Language (man002.03)
 GRA Low Level Graphics Library (man017.04)
 GSL General Support Library (man010.02)
 IFP Introduction to FORTRAN-PLUS (man001.03)
 IPL Image Processing Library (man014.03)

PDT Parallel Data Transforms (man022.02)
 PDU Program Development under UNIX (man003.03)
 PDV Program Development under VAX/VMS (man004.03)
 SMV Systems Management under VAX/VMS (man020.01)
 TOV Technical Overview (man006.02)

CONVVS4 FPL: 60
CONVVS5 FPL: 60
CONVVS6 FPL: 60
CONVVS7 FPL: 60
CONVVS8 FPL: 60
CONVVSD FPL: 60
CONVVSE FPL: 60
CONVVSI FPL: 60
CONVVSL FPL: 60
COPY_DATA statement PDT: 49 - 53, 62
copy_image routine GRA: 23 - 24
BN parameter GRA: 24
B_in parameter GRA: 24
B_out parameter GRA: 24
Height parameter GRA: 24
IERR parameter GRA: 24
Input parameter GRA: 24
IX parameter GRA: 24
IY parameter GRA: 24
W parameter GRA: 24
Width parameter GRA: 24
X_in parameter GRA: 24
X_out parameter GRA: 24
Y_in parameter GRA: 24
Y_out parameter GRA: 24

Core file PDU: 59

COS FPL: 38

COUNT field SMV: 46
 APL: 69, 71

Count value TOV: 18, 56

Coupler number (fast IO) DET: 34 - 35

/CPU_MAXIMUM (DAPMAN) PDV: 62, 64

/CPU_MAXIMUM (DOPTIONS) PDV: 46

cpu_intr_int - system call DVD: 60

/CREATE - (DLIBRARY) PDV: 86

Creating a CIF library (daplib) PDU: 64

Creating a DAP library PDV: 86

Crinkled mapping PDT: 24, 29, 64

CRINK_RASTER IPL: 16

CRINK_SHEET IPL: 18

Cross reference and attribute listing:

dapa PDU: 79

dapf PDU: 14

DASSEMBLE PDV: 102

DFORTRAN PDV: 11

/CROSS_REFERENCE:

DASSEMBLE PDV: 102

DFORTRAN PDV: 11

CSINE_In DSP: 58

CSINE_Rn DSP: 60

CSR SMV: 7, 8, 53

Current position pointer DSC: 4

CYCLE construct APL: 140

cycle DET: 38, 51

Cyclic geometry APL: 50, 68

FPL: 40

IFP: 23, 45

Cyclic shift left and right (not available) DET: 44

Cycling a test element DET: 38

Combined Index - manual reference codes

APL APAL Language (man005.03)
DET Engineering Test Software (man008.04)
DSC DAP System Calls (man023.01)
DSP Signal Processing Library (man013.03)
DVD Writing Device Drivers (man016.02)

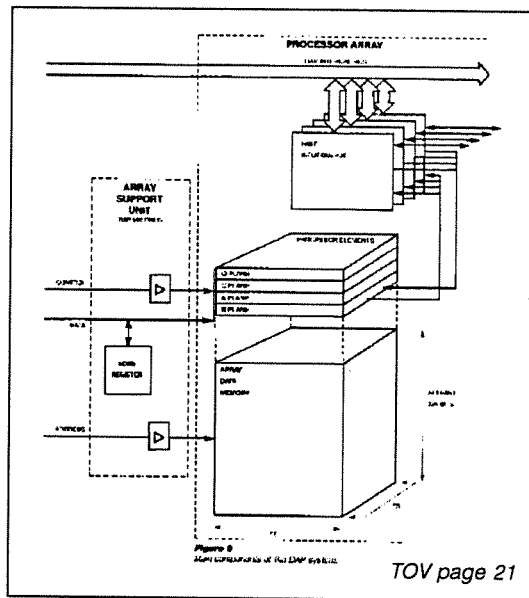
FPL FORTRAN-PLUS Language (man002.03)
GRA Low Level Graphics Library (man017.04)
GSL General Support Library (man010.02)
IFP Introduction to FORTRAN-PLUS (man001.03)
IPL Image Processing Library (man014.03)

PDT Parallel Data Transforms (man022.02)
PDU Program Development under UNIX (man003.03)
PDV Program Development under VAX/VMS (man004.03)
SMV Systems Management under VAX/VMS (man020.01)
TOV Technical Overview (man006.02)

D

D plane **TOV:** 10, 11, 19 - 20, 19
 D register **TOV:** 11
da **DET:** 29, 52
daf **DET:** 29, 52
DANALYSE command **PDV:** 82, 83
 qualifiers **PDV:** 83
dao **DET:** 29, 52
daof **DET:** 29, 52
 DAP 500 **DET:** 10, 15 - 16, 25, 30, 32, 40, 47, 59, 95
 array board numbering **DET:** 96
 backplane layout **DET:** 96
 board layout **DET:** 95, 97, 99
 calculating faulty memory board location **DET:** 99
 memory board layout **DET:** 98
 DAP 510 **TOV:** iv, 6
 DAP 600 **DET:** 10, 13, 15 - 16, 25, 28, 30, 32, 40, 47, 59, 95
 array board numbering **DET:** 102
 array support unit **DET:** 33
 backplane layout **DET:** 101
 calculating faulty memory board location **DET:** 102
 edge register **DET:** 28, 32 - 33
 DAP 610 **TOV:** 4
 DAP
 architecture **APL:** 1 - 12
 array store **APL:** 4
 code store **APL:** 4
 host, transfer of control to **APL:** 90
 object format (DOF) **APL:** 21, 97
 program **APL:** 3, 83, 90
 DVD: 3, 10, 25
 FPL: 1
 IFP: 2, 65, 68, 85, 93
 program block **APL:** 6, 21, 23, 27, 39, 51, 71
 PDU: 22
 PDV: 24

program example **APL:** 151 - 159
 property **APL:** 23
 property code section **APL:** 44, 90
 property data section **APL:** 28, 87
 DAP bus coupler **DVD:** 7
 DAP control panel **SMV:** 27
 DAP cycle **TOV:** 4, 8, 51
 DAP hardware connection **DVD:** 1
 DAP interface routine specifications **PDV:** 167 - 175



DAP interface routines **PDU:** 2, 31-34, 137
 DAP link errors **PDV:** 153 - 156
 DAP linker **PDV:** 23 - 32
 DAP manager utility **PDV:** 55
 DAP object files and library maintenance **PDV:** 85 - 94
 DAP object format **PDV:** 5, 95
 PDU: 3, 6

Combined Index - manual reference codes

APL APAL Language (man005.03)
DET Engineering Test Software (man008.04)
DSC DAP System Calls (man023.01)
DSP Signal Processing Library (man013.03)
DVD Writing Device Drivers (man016.02)

FPL FORTRAN-PLUS Language (man002.03)
GRA Low Level Graphics Library (man017.04)
GSL General Support Library (man010.02)
IFP Introduction to FORTRAN-PLUS (man001.03)
IPL Image Processing Library (man014.03)

PDT Parallel Data Transforms (man022.02)
PDU Program Development under UNIX (man003.03)
PDV Program Development under VAX/VMS (man004.03)
SMV Systems Management under VAX/VMS (man020.01)
TOV Technical Overview (man006.02)

DAP program production PDU: 2, 34
 PDV: 2, 37
 example PDV: 38 - 39
 DAP queue characteristics file SMV: 42
 DAP run-time system DVD: 10 - 11, 13
 DAP size GRA: 4
 DAP system accounting facilities SMV: 45
 DAP System Calls DSC:
 DAP system calls PDU: 41
 DAP system characteristics file SMV: 42
 DAP system errors PDV: 153 - 156
 DAP system overview TOV: 7, 18, 20 - 21,
 DAP TESTS SMV: 29, 30
 DAP 500 tests SMV: 30
 DAP 600 tests SMV: 30 - 31
 DAP TYPE field SMV: 49
 DAP word FPL: 99
 IFP: 2
 DAP word length DET: 25
 DAP/VO-24 video output coupler GRA: 1
 DAP/VO-8 video output coupler GRA: 1
 dapa PDU: 71 - 83
 flags PDU: 83, 89
 dapapp - the APAL preprocessor PDU: 74
 DAPBASE SMV: 13 - 17, 19, 21, 23
 contents SMV: 15
 DAPBOOT SMV: 15 - 17, 21, 28, 33, 35 - 37, 43,
 49, 51, 52, 54
 privileges required SMV: 33
 dapboot DVD: 10, 26
 DAPBOOT command SMV: 34, 35, 37
 parameters SMV: 34
 qualifiers to SMV: 34 - 36
 DAPBOOT STOP SMV: 31
 dapboot DET: 4
 DAPCON FPL: 105, 119
 IFP: 67, 68
 PDU: 31, 137
 PDV: 33
 response codes from PDV: 165
 dapconfig DVD: 39, 53
 error messages DVD: 109
 errors DVD: 48
 operation DVD: 47
 output from dapconfig DVD: 48
 preconditions for running DVD: 39
 syntax DVD: 47
 DAPCONFIG command procedure SMV: 16, 17,
 52
 dapdb PDU: 59 - 60
 commands PDU: 60, 90
 DAPDRIVER SMV: 4, 21
 DAPENT FPL: 119
 IFP: 68
 PDU: 34, 137
 PDV: 33
 dapent DSC: 1, 9
 DAPET SMV: 24, 25
 dapet DET:
 DVD: 99
 advanced user commands DET: 15 - 19
 basic user commands DET: 7 - 13
 commands and macro commands DET: 51
 engineer's commands DET: 25 - 38
 full specification of call DET: 16
 general commands DET: 3 - 6
 list of all commands DET: 51
 macro commands DET: 39 - 49, 55, 57
 options/qualifiers in dapet call DET: 15
 screen output DET: 4, 7, 9, 11 - 12
 welcoming message DET: 4
 DAPET> prompt DET: 4, 39
 dapf PDU: 5 - 29
 error messages PDU: 93 - 102
 examples PDU: 29
 flags PDU: 27, 85
 DAPFDEF.TLB SMV: 44
 DAPF_INCLUDE logical name SMV: 23
 daplib PDU: 63 - 70
 command PDU: 64, 88
 error messages PDU: 109
 flags PDU: 66, 88
 DAPMAN SMV: 42
 PDV: 55 - 57, 59 - 62, 64 - 67
 dapmkhcu utility DVD: 54
 DAPMONITOR SMV: 15, 30 33, 39, 40 42, 43, 46
 DET: 4
 files used by SMV: 37

 Combined Index - manual reference codes

APL APAL Language (man005.03)
 DET Engineering Test Software (man008.04)
 DSC DAP System Calls (man023.01)
 DSP Signal Processing Library (man013.03)
 DVD Writing Device Drivers (man016.02)

FPL FORTRAN-PLUS Language (man002.03)
 GRA Low Level Graphics Library (man017.04)
 GSL General Support Library (man010.02)
 IFP Introduction to FORTRAN-PLUS (man001.03)
 IPL Image Processing Library (man014.03)

PDT Parallel Data Transforms (man022.02)
 PDU Program Development under UNIX (man003.03)
 PDV Program Development under VAX/VMS (man004.03)
 SMV Systems Management under VAX/VMS (man020.01)
 TOV Technical Overview (man006.02)

- dapopt** PDU: 38 - 46
 flags PDU: 46, 87
 restoring default options PDU: 44
- DAPOS** - HCU operating system DVD: 8
 DAPOS rescheduling interval DVD: 9
- DAPPARAMS.DAT** SMV: 42
- DAPREC** IFP: 2, 68, 73
 PDU: 33, 137
 PDV: 35
- DAPREL** IFP: 69
 PDU: 33, 137
 PDV: 35
- DAPRTSLIB.EXE** PDV: 2
- DAPRUN** SMV: 24, 25
 PDV: 54
- DAPSEN** IFP: 2, 68, 73
 PDU: 33, 137
 PDV: 37
- DAPSIM.LOG** PDV: 47, 54
- DAPSIZE** PDU: 5, 64, 71
 DAPSIZE - Unix environment variable GRA: 6
 DAPSIZE qualifier SMV: 22
- DAPSTARTUP.COM** SMV: 7, 17 - 19, 21, 51, 52
- DAPSYSQUE.DAT** SMV: 42
- DAPSYS_1.LOG** SMV: 43
- DAPTEMP** menu option SMV: 29
- DAPTITLE** menu option SMV: 29
- dapxa68** - OASYS assembler shell script
 DVD: 55
- dapxc68** - C cross compiler for 68020 DVD: 56
- dapxl68** - OASYS 68020 object linker DVD: 58
- dapxlib68** - OASYS librarian DVD: 59
- DAP_SERIAL** logical name DET: 17
- DAP_SIZE** logical name SMV: 22
- DASSEMBLE** SMV: 13
- DASSEMBLE** command PDV: 97
 error messages PDV: 135 - 140
 qualifiers PDV: 109, 121
- DATA** PDT: 22, 28, 39 - 40
- DATA** (data section) APL: 28, 90
 data-offset APL: 30
- Data address APL: 10, 39, 72, 93, 110, 112
- Data association FPL: 109
- Data broadcast TOV: 12, 12, 13,
- Data buffer, DAP-IO TOV: 5, 9, 22, 22
- Data conversion TOV: 37
- Data declaration GRA: 4 - 5
- Data identity APL: 15, 22, 37, 84, 85, 93, 169
- Data label APL: 29, 39, 46, 169
- Data modes TOV: 28
- Data objects in FORTRAN-PLUS IFP: 7
- Data paths, row and column TOV: 2, 3, 12, 12
- Data precision TOV: 28 - 29
- Data routing PDT: 1 - 3
 in FORTRAN - PLUS PDT: 2
 via PDTs (mapping vectors) PDT: 2, 9
- Data section APL: 6, 22, 23, 27 - 41, 46
 PDV: 29
 TOV: 43 - 44
 declarations and identities APL: 27 - 41
- DATA** statement FPL: 9, 106
 IFP: 8
- Data transfer PDV: 37
- Data transfer between host and DAP IFP: 68, 73
- Data types TOV: 28
- Data value APL: 79
 format APL: 16
 internal representation APL: 35
- Data visualization TOV: 5, 9, 22 - 23
- data DSC: 17 - 18
- Datum/limit registers TOV: 16
- dax** DET: 28, 52
- dc** DET: 29, 52
- dcf** DET: 29, 52
- DCL commands SMV: 14, 15
- dco** DET: 29, 52
- dcof** DET: 29, 52
- dcx** DET: 28, 52
- deboff** DET: 47, 51, 56
- debug** DET: 47, 51, 56
- Debugging facility, **PSAM** TOV: 26, 65 - 66
- decjnz** DET: 46, 56
- DECLARE_MAP** statement PDT: 27, 29, 59
- Declaring
 arrays FPL: 95
 an APAL module APL: 21
 a code section APL: 43
 a data section APL: 27
 an entry point APL: 44
 data APL: 29

Combined Index - manual reference codes

APL APAL Language (man005.03)
 DET Engineering Test Software (man008.04)
 DSC DAP System Calls (man023.01)
 DSP Signal Processing Library (man013.03)
 DVD Writing Device Drivers (man016.02)

FPL FORTRAN-PLUS Language (man002.03)
 GRA Low Level Graphics Library (man017.04)
 GSL General Support Library (man010.02)
 IFP Introduction to FORTRAN-PLUS (man001.03)
 IPL Image Processing Library (man014.03)

PDT Parallel Data Transforms (man022.02)
 PDU Program Development under UNIX (man003.03)
 PDV Program Development under VAX/VMS (man004.03)
 SMV Systems Management under VAX/VMS (man020.01)
 TOV Technical Overview (man006.02)

variables **FPL**: 93
 variable mappings **PDT**: 25 - 27
/DEFAULT - (DOPTIONS) **PDV**: 52
 Default colour regime
 see **Set_colour_regime** **GRA**: 13
 Default file-type
 .DM5/6 **DET**: 10, 40, 47
 .DP5/6 **DET**: 30
 .HCU **DET**: 35
 .LIS **DET**: 29
 .LOG **DET**: 5
 Default options **PDV**: 52
 (**dapopt**) **PDU**: 44
DEFINE (data identities) **APL**: 39
 Defining a macro **APL**: 127
 Defining start and end of test sequence **DET**: 17
 Definition of values **FPL**: 120
/DELETE - (DLIBRARY) **PDV**: 88
 Delete a message from a queue **DVD**: 73 - 75
 Deleting synonyms **PDV**: 52
 Delta-time **PDV**: 46
DEPTHFIRST ALTERNATE mapping
 PDT: 69, 70
DEPTHFIRST ALTERNATE_RM mapping
 PDT: 70
DEPTHFIRST LINEAR mapping **PDT**: 67, 70
DEPTHFIRST LINEAR_RM mapping
 PDT: 68, 70
DEPTHFIRST PLANAR mapping **PDT**: 24, 29,
 64, 70
DEPTHFIRST PLANAR_RM mapping
 PDT: 66, 70
 Derivation of APAL mnemonics **APL**: 175 - 178
 Description of the test programs **DET**: 59 - 93
 ARRAYTEST **DET**: 73 - 91
 DISTURB **DET**: 93
 MCUTEST1 **DET**: 59 - 60
 MCUTEST2 **DET**: 61 - 65
 MCUTEST3 **DET**: 66 - 71
 MCUTEST4 **DET**: 72
 STORETEST **DET**: 92
 Design of driver primitives **DVD**: 31
 Details of routines **GRA**: 9 - 26
 Device driver **DVD**: 2
 SMV: 4
 configuration **DVD**: 39 - 40, 42, 44, 46, 48
 control and interface software **DVD**: 33
 core **DVD**: 33
 facilities **DSC**: 13 - 18
 how calls are handled by **DAPOS** **DVD**: 10
 primitives **DVD**: 4, 29, 31
 size of **DVD**: 8
 software **TOV**: 24, 60
 Device identifier **DVD**: 16
DEVICE keyword - in kernel configuration file
 DVD: 42
 Device test routine - **PROBE** **DVD**: 26 - 27
 Device testing **DVD**: 26
DFORTRAN command **PDV**: 5
 SMV: 23
 error messages **PDV**: 125 - 134
 qualifiers **PDV**: 21, 111
dia **DET**: 27, 51
 Diadic string test **APL**: 123
 Diagnosing and correcting errors **DVD**: 100 - 101
 compiler errors **DVD**: 100
 linker errors **DVD**: 100
 run time errors **DVD**: 100
 Diagnostic compilation level **PDV**: 19, 70
 Diagnostic reports **PDU**: 49
 PDV: 69
 Diagnostic run-time level set by **DOPTIONS**
 PDV: 45
DIAGNOSTICS - (DFORTRAN) **PDV**: 20
dic **DET**: 27, 51
dif **DET**: 27, 34, 51
DIFF_OF_GAUSS_8 **IPL**: 96
 Digital Signal Processing Library **DSP**:
 TOV: 26, 79 - 80
 use on DAP range **DSP**: 3
 using in Sun UNIX environment **DSP**: 4
 using in VAX/VMS environment **DSP**: 4
dih **DET**: 27, 51
dim **DET**: 27, 51
DIMENSION **FPL**: 10, 94, 96
 Dimension subscript **PDT**: 8, 16
 default value **PDT**: 16
 sub - atomic **PDT**: 16
dint **DET**: 34, 52
 Direct exit and restart facilities **DSC**: 9

 Combined Index - manual reference codes

APL APAL Language (man005.03)
DET Engineering Test Software (man008.04)
DSC DAP System Calls (man023.01)
DSP Signal Processing Library (man013.03)
DVD Writing Device Drivers (man016.02)

FPL FORTRAN-PLUS Language (man002.03)
GRA Low Level Graphics Library (man017.04)
GSL General Support Library (man010.02)
IPL Introduction to FORTRAN-PLUS (man001.03)
IPL Image Processing Library (man014.03)

PDT Parallel Data Transforms (man022.02)
PDU Program Development under UNIX (man003.03)
PDV Program Development under VAX/VMS (man004.03)
SMV Systems Management under VAX/VMS (man020.01)
TOV Technical Overview (man006.02)

Dump PDU: 39, 59
 generation PDU: 59
 PDV: 46, 76
 selection PDU: 60
 PDV: 81

DUMP -

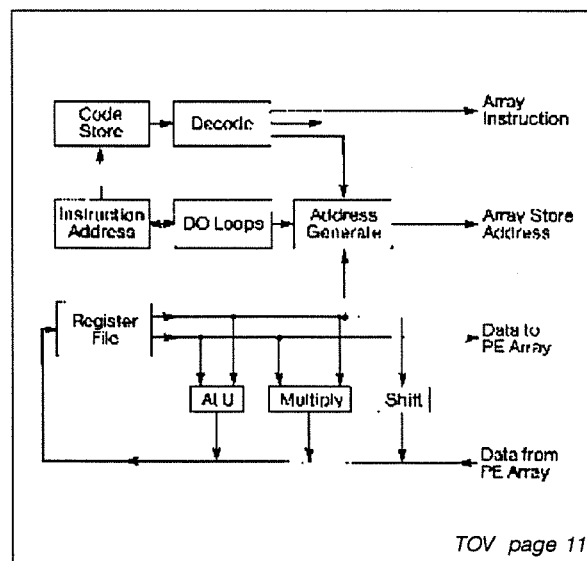
(DANALYSE) PDV: 81

(PSAM) PDV: 76

/DUPLICATES - (DLIBRARY) PDV: 88

Dynamic memory allocation in DAPOS DVD: 9

DYNAMIC_REMAP statement PDT: 28, 59



Combined Index - manual reference codes

APL APAL Language (man005.03)
DET Engineering Test Software (man008.04)
DSC DAP System Calls (man023.01)
DSP Signal Processing Library (man013.03)
DVD Writing Device Drivers (man016.02)

FPL FORTRAN-PLUS Language (man002.03)
GRA Low Level Graphics Library (man017.04)
GSL General Support Library (man010.02)
IFP Introduction to FORTRAN-PLUS (man001.03)
IPL Image Processing Library (man014.03)

PDT Parallel Data Transforms (man022.02)
PDU Program Development under UNIX (man003.03)
PDV Program Development under VAX/VMS (man004.03)
SMV Systems Management under VAX/VMS (man020.01)
TOV Technical Overview (man006.02)

E

- East neighbour FPL: 21
 Edge register APL: 10, 12, 47 - 59, 63, 71, 74, 77,
 87, 175
 TOV: 15
 Edge size of the DAP (ES) IFP: 1, 24
 FPL: 1, 61
 PDU: 1
 TOV: 2, 7, 8, 9, 15, 19,
 Effective value (modification) APL: 11, 69, 75
 Efficiency of FORTRAN-PLUS programs IFP: 91
 Eigenvalues and eigenvectors - F02 GSL: 45 - 62
 TOV: 67 - 68
 F02_ALL_EIG_VALS_LV GSL: 50
 F02_ALL_EIG_VALS_TD_ES GSL: 46
 F02_EIG_VALS_TD_LV GSL: 54
 F02_JACOBI GSL: 58
 eint DET: 34, 52
 EL FPL: 42
 Element DET: 7
 ELL FPL: 42
 ELN FPL: 42
 ELS FPL: 42
 ELSE; ELSE_IF; ELSE_IFN APL: 121
 ELSL FPL: 42
 ENADDR keyword, kernel configuration file
 DVD: 41
 END
 code section APL: 44, 46
 data identity APL: 39
 data section APL: 28, 29
 End address histogram PDV: 50
 End of a program unit FPL: 120
 END statement FPL: 6, 10, 88
 #endif endif directive PDU: 12, 74
 ENDMODULE APL: 22
 Engineer's log file SMV: 33, 34, 36, 37, 39, 41
 Entering functions FPL: 145
 Entering procedures FPL: 145
 Entering subroutines FPL: 147
 Entry and exit conventions APL: 84
 Entry point APL: 45
 PDU: 22, 34
 PDV: 26
 ENTRY
 subroutine FPL: 2, 85, 119
 IFP: 65, 68, 85
 code section APL: 44
 Environment variable
 DAPSIZE in UNIX GRA: 6
 Pattern_mode in psam GRA: 25
 'EPILOGUE' (macro) APL: 85
 EPROM storage TOV: 9
 EQUIVALENCE statement IFP: 71, 72
 FPL: 10, 110, 117
 ERASE statement APL: 131
 ERRLAB DET: 40, 45, 56
 /ERROR - (DOPTIONS) PDV: 45,52
 Error codes DSC: 19 - 22
 Error control IFP: 79
 Error dump SMV: 40
 Error handling, error masks TOV: 35
 Error masks PDU: 56
 PDV: 76
 Error messages PDV: 125 - 163
 GRA: 37 - 39
 Clear_screen GRA: 38
 Copy_image GRA: 38
 Generic GRA: 37
 Get_lut GRA: 37
 Init_graphics GRA: 37
 Put_characters GRA: 38
 Put_dots GRA: 38
 Put_frame GRA: 38
 Put_lines GRA: 38
 Put_lut GRA: 37
 Rasterop GRA: 38
 Set_colour_regime GRA: 39
 Set_lut GRA: 37
 Start_sequence GRA: 38
 Stop_graphics GRA: 37

Combined Index - manual reference codes

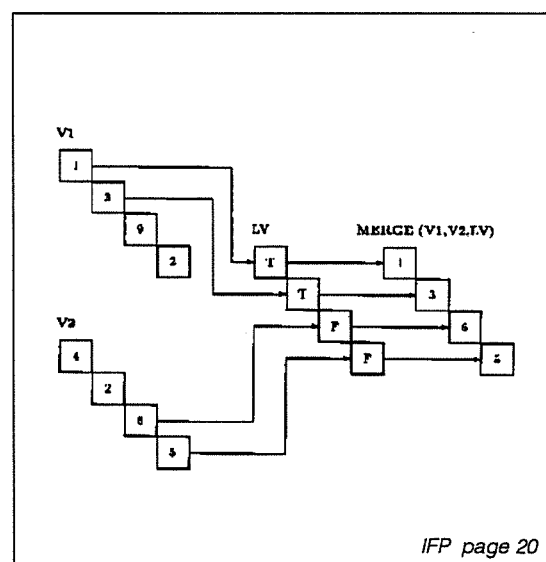
APL APAL Language (man005.03)
 DET Engineering Test Software (man008.04)
 DSC DAP System Calls (man023.01)
 DSP Signal Processing Library (man013.03)
 DVD Writing Device Drivers (man016.02)

FPL FORTRAN-PLUS Language (man002.03)
 GRA Low Level Graphics Library (man017.04)
 GSL General Support Library (man010.02)
 IFP Introduction to FORTRAN-PLUS (man001.03)
 IPL Image Processing Library (man014.03)

PDT Parallel Data Transforms (man022.02)
 PDU Program Development under UNIX (man003.03)
 PDV Program Development under VAX/VMS (man004.03)
 SMV Systems Management under VAX/VMS (man020.01)
 TOV Technical Overview (man006.02)

Stop_sequence GRA: 38
 Error messages
 displaying and logging - **s_sys_error**
 DVD: 79
 from **dapconfig** DVD: 109 - 111
 Error messages **psam & dapdb** PDU: 62
 Error trapping DET: 12
 Errors FPL: 154
 error interrupt switch FPL: 154
 error interruption masks FPL: 155
 error reporting variables FPL: 157
 Errors
 command entry DET: 10
 command execution DET: 10
 fatal DET: 11
 test execution DET: 11
 types of DET: 10
error_message syntax DVD: 35
ES PDU: 1
 FPL: 1
 IFP: 1
 GRA: 4
 in a Sun UNIX environment GRA: 6
 in a VAX/VMS environment GRA: 8
 Escape character APL: 14, 18, 102, 116
 Establishing the test environment DET: 3
 Event timing - simulator PDV: 46
EXAMINE - (PSAM) PDV: 75, 76
 Examining device driver variables DVD: 99
 Examining options (**dapopt**) PDU: 39
 Example program APL: 151 - 159
 PDV: 37 - 39
 IFP: 26, 57, 59, 62, 83
 Examples GRA: 27 - 35
 DAP program GRA: 28 - 29, 32 - 35
 Host program GRA: 29 - 32
 Examples **dapf** PDU: 29
 Examples of DAP and host programs PDU: 34 - 38
 Exception Vector Table
 in VME interrupt handling DVD: 12
 Exceptions dump SMV: 40
 Exchange generator PDT: 9
 Exchange generator sequence PDT: 42, 43
 performance of PDT: 56
 Exclusive-OR DET: 44

/EXECUTABLE - (DLINK) PDV: 24
 Executable statement FPL: 6
 Execution profile histogram PDV: 50
 PDU: 42
 Execution time DSC: 11
 Exercises on indexing techniques IFP: 52
 Exercises on simple assignment and expressions
 IFP: 28
EXIT (DAPMAN) PDV: 66
 EXIT button SMV: 27 - 28
EXIT statement APL: 10, 49, 59, 62, 69, 71, 76, 91
exit DET: 8, 19, 52
exm DET: 47, 56
EXP FPL: 38
 Experimenting with hardware DVD: 99



Explicit concatenation APL: 119
 Explicit type; length and mode specification
 FPL: 94
 Exponential decay DSP: 66 - 69
 EX_DECAY_I*n* DSP: 66
 EX_DECAY_R*n* DSP: 68
 Exponentiation FPL: 125
 Expression substitution APL: 109

 Combined Index - manual reference codes

APL APAL Language (man005.03)
DET Engineering Test Software (man008.04)
DSC DAP System Calls (man023.01)
DSP Signal Processing Library (man013.03)
DVD Writing Device Drivers (man016.02)

FPL FORTRAN-PLUS Language (man002.03)
GRA Low Level Graphics Library (man017.04)
GSL General Support Library (man010.02)
IFP Introduction to FORTRAN-PLUS (man001.03)
IPL Image Processing Library (man014.03)

PDT Parallel Data Transforms (man022.02)
PDU Program Development under UNIX (man003.03)
PDV Program Development under VAX/VMS (man004.03)
SMV Systems Management under VAX/VMS (man020.01)
TOV Technical Overview (man006.02)

Expressions **FPL**: 63
 IFP: 14, 29
 TOV: 29 - 30
 arithmetic **FPL**: 64, 123
 character **FPL**: 67, 133
 logical **FPL**: 69, 129
 External identifier **APL**: 23
 External reference and section listing
 dapa **PDU**: 80
 DASSEMBLE **PDV**: 104
 External reference listing
 dapf **PDU**: 16
 DFORTRAN **PDV**: 13
EXTERNAL statement **FPL**: 10, 85, 89
 IFP: 17, 66, 67
 External structure of FORTRAN-PLUS programs
 IFP: 68
/EXTERNAL_REFERENCE
 DASSEMBLE **PDV**: 104
 DFORTRAN **PDV**: 13
EX_DECAY_I*n* **DSP**: 66
EX_DECAY_R*n* **DSP**: 68

 Combined Index - manual reference codes

APL APAL Language (man005.03)
DET Engineering Test Software (man008.04)
DSC DAP System Calls (man023.01)
DSP Signal Processing Library (man013.03)
DVD Writing Device Drivers (man016.02)

FPL FORTRAN-PLUS Language (man002.03)
GRA Low Level Graphics Library (man017.04)
GSL General Support Library (man010.02)
IFP Introduction to FORTRAN-PLUS (man001.03)
IPL Image Processing Library (man014.03)

PDT Parallel Data Transforms (man022.02)
PDU Program Development under UNIX (man003.03)
PDV Program Development under VAX/VMS (man004.03)
SMV Systems Management under VAX/VMS (man020.01)
TOV Technical Overview (man006.02)

F

- F01 - Matrix operations **GSL:** 31 - 44
F01_G_MM **IPL:** 98
GSL: 32
F01_MM_STRASSEN **GSL:** 40
F01_M_INV **IPL:** 100
GSL: 36
- F02 - Eigenvalues and eigenvectors **GSL:** 45 - 62
F02_ALLEIG_VALS_LV **GSL:** 50
F02_ALL_EIG_VALS_TD_ES **GSL:** 46
F02_EIG_VALS_TD_LV **GSL:** 54
F02_JACOBI **GSL:** 58
- F04 - Simultaneous linear equations **GSL:** 63 - 90
F04_BIGSOLVE **GSL:** 64
F04_GJ_LE_ES **GSL:** 70
F04_QR_GIVENS_SOLVE **IPL:** 102
GSL: 75
- F04_TRIDS_ES** **GSL:** 79
F04_TRIDS_ES_SQ **GSL:** 83
F04_TRIDS_LV **GSL:** 87
- Fast data channel **TOV:** 9, 10, 11, 19 - 20
Fast disks **TOV:** 5, 22
Fast Fourier transforms **DSP:** 2, 11 - 31
TOV: 67 - 68, 76, 79
- Fast I/O **DET:** 25
TOV: 5, 7, 9, 19
Fast I/O interface **DVD:** 1
Fast I/O products **TOV:** 5, 9, 22 - 23
Fast I/O coupler **DET:** 27, 34
Fatal errors **DET:** 11, 18
- FEATURES_8** **IPL:** 138
FFT initialisation **DSP:** 28 - 31
IN_FFT1_In **DSP:** 28
IN_FFT1_Rn **DSP:** 30
- File identifier **DSC:** 4 - 5
File include statement **APL:** 21, 84, 89, 90, 93, 97
FPL: 5
- File pointer **DSC:** 4
Filename conventions **PDU:** 4
PDV: 4
- Filestore **TOV:** 14
filln - character fill function **DVD:** 88
FILL_IN_1 **IPL:** 104
Finding the current position in a file **DSC:** 4
FIO_BASE **DVD:** 36
FIO coupler **DET:** 27, 34
FIO device **DVD:** 1, 100
FIO interrupt handling **DVD:** 13
FIO keyword, kernel configuration file **DVD:** 41
FIO slot number definition **DVD:** 41
FIO slot
 making the driver slot independent-**FIO_BASE_**
 DVD: 37
- First In First Out logic, FIFO **TOV:** 8, 9, 23
FIX **FPL:** 39
Fixed length **FPL:** 65
FLOAT **FPL:** 39
Floating point arithmetic **TOV:** 13
FORCELOAD qualifier **SMV:** 36
Format of data value **APL:** 16
FORTRAN 77 **TOV:** 28, 29 - 35, 37, 39
FORTRAN 8X **TOV:** 5, 25, 27
FORTRAN data items **IFP:** 71
FORTRAN-PLUS **TOV:** 5, 25, 27 - 41
 link with APAL **APL:** 1, 36, 44, 83, 85, 87, 90, 91
 built-in functions **TOV:** 35, 61 - 64
 character set **FPL:** 13
 compilation system **PDV:** 5
 example program **TOV:** 38 - 41
 expression **PDT:** 12, 42, 62
 long vector **PDT:** 21, 45
 interface **DVD:** 15 - 16, 18, 20, 22
 objects **FPL:** 19
 preprocessor **PDU:** 6
 program structure **IFP:** 65 - 69
 storage modes **DVD:** 22
 subroutines **DVD:** 3, 15

Combined Index - manual reference codes

APL APAL Language (man005.03)
DET Engineering Test Software (man008.04)
DSC DAP System Calls (man023.01)
DSP Signal Processing Library (man013.03)
DVD Writing Device Drivers (man016.02)

FPL FORTRAN-PLUS Language (man002.03)
GRA Low Level Graphics Library (man017.04)
GSL General Support Library (man010.02)
IFP Introduction to FORTRAN-PLUS (man001.03)
IPL Image Processing Library (man014.03)

PDT Parallel Data Transforms (man022.02)
PDU Program Development under UNIX (man003.03)
PDV Program Development under VAX/VMS (man004.03)
SMV Systems Management under VAX/VMS (man020.01)
TOV Technical Overview (man006.02)

FORTRAN-PLUS compiler PDV: 5 - 22
 control of run-time diagnostics PDV: 19
 diagnostics PDV: 14
 error messages PDV: 125 - 134
 input files PDV: 6
 listings and messages PDV: 8 - 13
 output files PDV: 6
 preprocessor facilities PDV: 14

FORTRAN-PLUS Language FPL:

Introduction IFP:

FORTRAN-PLUS TRACE PDU: 19, 52
 PDV: 19

/FORTRAN_TRACE - (DOPTIONS) PDV: 44

Forward FFTs DSP: 34 - 38

CF_FFT_T_n_len_IN_m DSP: 34

Free name space APL: 86, 87, 98

FROM PDT: 22, 28, 47

FRST FPL: 42

fsm_state DVD: 29, 32, 36

/FULL - (DASSEMBLE) PDV: 98 - 99

/FULL - (DFORTRAN) PDV: 8 - 9

/FULL - (DLINK) PDV: 24

Full listing PDV: 8 - 9, 98 - 99

Full listing (dapf) PDU: 14

Full map PDV: 24, 29

Full map (dapf) PDU: 27

Functions DVD: 90

PDT: 37

TOV: 34 - 35

error_message DVD: 35

longjmp DVD: 92

panic DVD: 35

printf DVD: 89

setjmp DVD: 92

string operations DVD: 94

swapbits DVD: 96

Function parameters

addr DSC: 18

data DSC: 17 - 18

FUNCTION statement FPL: 10, 148

Function subprograms FPL: 2, 37, 86

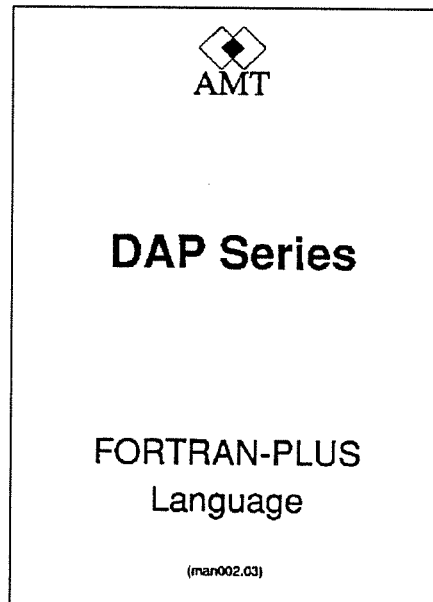
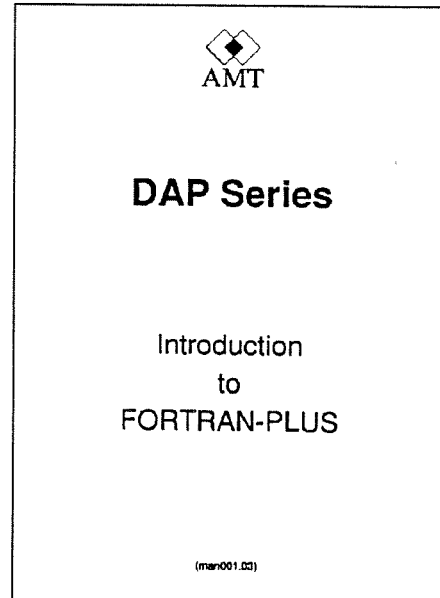
IFP: 66

functions, built-in IFP: 5, 9, 17, 66

aggregate FPL: 40

componental FPL: 38

functions, user written IFP: 16, 65, 85



Combined Index - manual reference codes

APL APAL Language (man005.03)
 DET Engineering Test Software (man008.04)
 DSC DAP System Calls (man023.01)
 DSP Signal Processing Library (man013.03)
 DVD Writing Device Drivers (man016.02)

FPL FORTRAN-PLUS Language (man002.03)
 GRA Low Level Graphics Library (man017.04)
 GSL General Support Library (man010.02)
 IFP Introduction to FORTRAN-PLUS (man001.03)
 IPL Image Processing Library (man014.03)

PDT Parallel Data Transforms (man022.02)
 PDU Program Development under UNIX (man003.03)
 PDV Program Development under VAX/VMS (man004.03)
 SMV Systems Management under VAX/VMS (man020.01)
 TOV Technical Overview (man006.02)

G

G05 – Random numbers **GSL:** 91 - 108

G05_MC_BEGIN **GSL:** 92

G05_MC_I4 **GSL:** 95

G05_MC_I8 **GSL:** 98

G05_MC_NORMAL_R4 **GSL:** 100

G05_MC_R4 **GSL:** 103

G05_MC_R8 **GSL:** 105

G05_MC_REPEAT **GSL:** 107

General Support Library **GSL:**

TOV: 26, 67 - 72

Generator sequence **PDT:** 9, 40 - 42

examples of **PDT:** 43

Generator statement **PDT:** 40, 61

appended to a **WITH** statement **PDT:** 44

performance of **PDT:** 56

Generators **PDT:** 9

direct use of **PDT:** 39 - 45

Geometry **APL:** 68, 70, 172

IFP: 23

GEOMETRY field **APL:** 50, 68

GEOMETRY statement **FPL:** 10, 40, 82

IFP: 45

CYCLIC geometry **IFP:** 23, 45

PLANE geometry **IFP:** 23, 45, 62

Geometry value **TOV:** 17 - 18, 56

Get_lut routine **GRA:** 14

LUT integer array **GRA:** 14

Global data identity **APL:** 22, 23, 39

Global error interrupt switch **FPL:** 154

Global identifier **APL:** 23

Global pages **SMV:** 19 - 20

Global sections **SMV:** 19 - 20

Global variables **DVD:** 32, 99

Glossary of terms **TOV:** 81 - 82

Glowing coals palette **GRA:** 13

GO TO statement **FPL:** 8, 137, 138

IFP: 56

go **DET:** 9, 17, 52

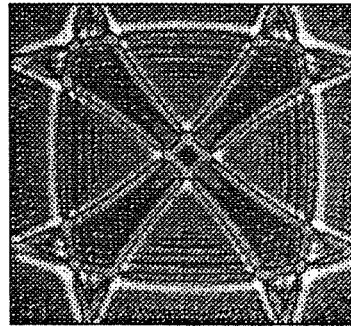
Graphics Library (**GRALIB**) **GRA:**

Graphic support software **TOV:** 22 - 23, 73

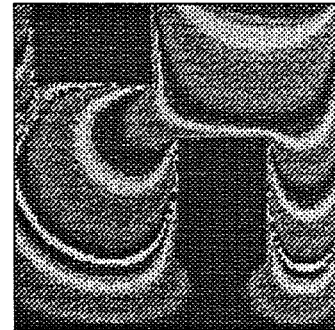
Grey scale palette **GRA:** 13

GSLIB **GSL:**

quick reference catalogue **GSL:** 7



*Simulation of
wave-front propagation*



*Fluid dynamics -
driven cavity
demonstration*

Combined Index - manual reference codes

APL APAL Language (man006.03)
DET Engineering Test Software (man008.04)
DSC DAP System Calls (man023.01)
DSP Signal Processing Library (man013.03)
DVD Writing Device Drivers (man016.02)

FPL FORTRAN-PLUS Language (man002.03)
GRA Low Level Graphics Library (man017.04)
GSL General Support Library (man010.02)
IFP Introduction to FORTRAN-PLUS (man001.03)
IPL Image Processing Library (man014.03)

PDT Parallel Data Transforms (man022.02)
PDU Program Development under UNIX (man003.03)
PDV Program Development under VAX/VMS (man004.03)
SMV Systems Management under VAX/VMS (man020.01)
TOV Technical Overview (man006.02)

H

- .h file DVD: 37, 46
 - defining FIO slots DVD: 36
- H01 – Operations research, graph structures and networks GSL: 109 - 114
- H01_L_ASSIGN** GSL: 110
- Halting a test DET: 9
- /HARDWARE - (DOPTIONS)** PDV: 43
- Hardware - using the PDV: 37
- Hardware installation SMV: 1 - 12
- Hardware overview SMV: 1
 - TOV: 2, 7 - 9
 - communications device SMV: 1
- Hardware registers DET: 31
- Hardware requirements DVD: 5
- HCU DET: 25, 30
 - board DET: 13
 - eprom contents DVD: 9
 - hardware and resident software DVD: 7 - 8, 10, 12
 - keyword kernel configuration file DVD: 41
 - SELFTEST SMV: 29
 - memory locations DET: 31
 - subsystem DVD: 8 - 9
 - task control commands DET: 35
- .hcu DET: 35
- HCUCP DVD: 10, 13
- HCUCP dump SMV: 41
- help DET: 5, 52
- Hexadecimal constants FPL: 28
- Hexadecimal input DET: 26
- Hexadecimal value APL: 16, 18, 29, 31, 50, 80, 103, 123
 - FPL: 23
 - internal representation APL: 36
- .hi file DVD: 46
- High performance FFTs DSP: 33 - 43
- /HISTOGRAM - (DOPTIONS)** PDV: 50
- Histograms PDV: 50
- Histograms – timing PDU: 42, 45
- HISTOGRAM_C_8** IPL: 106
- HISTOGRAM_S_8** IPL: 108
- Holding planes DET: 40, 42
- Holding registers DET: 40, 42
- Hollerith constant FPL: 28
- Horizontal mapping, scalar TOV: 14
- Host
 - Sun, connection to TOV: 5, 6, 8, 24
 - VAX, connection to TOV: 5, 8, 24
- Host – DAP communication PDU: 3, 31 - 34
 - PDV: 3, 33 - 34
 - IFP: 68, 73
- Host – DAP program communication TOV: 36 - 37
- Host – DAP transfer of control APL: 90, 151
- Host – DAP transfer of data APL: 90, 151
- Host connection unit (HCU) DVD: 3, 7
 - APL: 3
 - TOV: 7, 8, 20 - 21
- Host program APL: 3, 28, 44, 83, 90, 91
 - FPL: 1
 - IFP: 2, 10, 65, 68, 72, 73, 79, 81, 83
- in C DSC: 9
- production PDU: 2, 34, 35
 - PDV: 2
 - example PDV: 38
- HOST property APL:
 - code section APL: 44, 90
 - data section APL: 28
- Host storage mode FPL: 102, 118
 - IFP: 71, 73, 75
- Host system error codes DSC: 19 - 22
- Host to matrix conversion FPL: 55
- Host to scalar conversion FPL: 56
- Host to vector conversion FPL: 56
- Host-based tests DET: 38, 59
- HVR8217
 - motherboard SMV: 6
 - piggy-back board SMV: 6

Combined Index - manual reference codes

APL APAL Language (man005.03)
 DET Engineering Test Software (man008.04)
 DSC DAP System Calls (man023.01)
 DSP Signal Processing Library (man013.03)
 DVD Writing Device Drivers (man016.02)

FPL FORTRAN-PLUS Language (man002.03)
 GRA Low Level Graphics Library (man017.04)
 GSL General Support Library (man010.02)
 IFP Introduction to FORTRAN-PLUS (man001.03)
 IPL Image Processing Library (man014.03)

PDT Parallel Data Transforms (man022.02)
 PDU Program Development under UNIX (man003.03)
 PDV Program Development under VAX/VMS (man004.03)
 SMV Systems Management under VAX/VMS (man020.01)
 TOV Technical Overview (man006.02)

I/O computer, DAP-IOC TOV: 5, 9, 23
 I/O interface, DAP-IO TOV: 5, 9, 23
iabs DSC: 11
iaddr DSC: 18
iattributes DSC: 16
ibuf DSC: 6 - 7, 15
 icommand argument DVD: 19
icommand DSC: 16
IDADDR keyword - kernel configuration file
 DVD: 41
idatum DSC: 5
 idd argument DVD: 16
idd DSC: 14 - 16
IDENT keyword - kernel configuration file DVD: 40
 Identifier PDT: 11, 62
 APL: 15, 19, 23, 27, 29, 38, 43, 45,
 46, 168
 FPL: 15
 Idle state of MCU DET: 32 - 33
IERR parameter GRA: 9
IF
 arithmetic or logical statement IFP: 55
 FPL: 8, 139
 block statement IFP: 55
 FPL: 8, 138
#if directive PDU: 12
 PDT: 23
IF construct APL: 121
#if statement
 Sun UNIX environment GRA: 6
 VAX/VMS environment GRA: 7
ifail DSC: 4, 6 - 8, 14 - 16
ifd DSC: 4 - 8
#ifdef statement DVD: 41
 IKON Model 10089 SMV: 10 - 12
 Image analysis routines IPL: 133 - 143
 TOV: 78
 CLASSIF IPL: 142
 FEATURES_8 IPL: 138
 LABEL_16 IPL: 136
 SEGMENT_8 IPL: 134
 Image conversion routines IPL: 15 - 31
 TOV: 74
 CRINK_RASTER IPL: 16
 CRINK_SHEET IPL: 18
 RASTER_CRINK IPL: 20
 RASTER_SHEET IPL: 22
 SHEET_CRINK IPL: 24
 SHEET_RASTER IPL: 26
 TWO_UNSIG IPL: 28
 UNSIG_TWO IPL: 30
 Image Processing Library IPL:
 TOV: 26, 74 - 78
 using under UNIX IPL: 7
 using under VAX/VMS IPL: 7
 Image processing primitives IPL: 33 - 61
 TOV: 75
 ADD_8 IPL: 34
 MULT_8_TO_16 IPL: 40
 SCAL_ADD_8 IPL: 36
 SCAL_DIV_8 IPL: 42
 SHIFT_COL_NORTH_C IPL: 56
 SHIFT_COL_NORTH_P IPL: 54
 SHIFT_IMAGE_NORTH_C IPL: 48
 SHIFT_IMAGE_NORTH_P IPL: 46
 SHIFT_ROW_NORTH_C IPL: 52
 SHIFT_ROW_NORTH_P IPL: 50
 SHIFT_SHEET_NORTH_C IPL: 60
 SHIFT_SHEET_NORTH_P IPL: 58
 SUB_8 IPL: 38
 Image store DET: 25, 42 - 43
 contents DET: 31
 write and display commands DET: 27
IMASK keyword - kernel configuration file DVD: 41
 Implicit concatenation APL: 119
IMPLICIT statement FPL: 20, 93
 Implicit type; length and mode specification
 FPL: 93
#include APL: 21, 84, 89, 90, 93, 97
 PDU: 8, 72

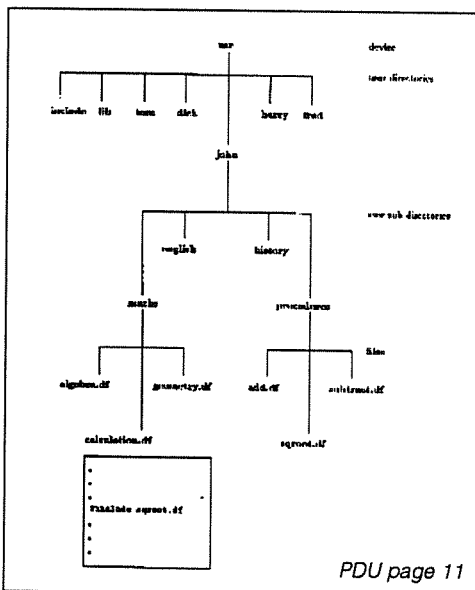
 Combined Index - manual reference codes

APL APAL Language (man005.03)
DET Engineering Test Software (man008.04)
DSC DAP System Calls (man023.01)
DSP Signal Processing Library (man013.03)
DVD Writing Device Drivers (man016.02)

FPL FORTRAN-PLUS Language (man002.03)
GRA Low Level Graphics Library (man017.04)
GSL General Support Library (man010.02)
IFP Introduction to FORTRAN-PLUS (man001.03)
IPL Image Processing Library (man014.03)

PDT Parallel Data Transforms (man022.02)
PDU Program Development under UNIX (man003.03)
PDV Program Development under VAX/VMS (man004.03)
SMV Systems Management under VAX/VMS (man020.01)
TOV Technical Overview (man006.02)

#include statement **GRA**: 27
 Sun UNIX environment **GRA**: 6
 VAX/VMS environment **GRA**: 8
 Include statements **DVD**: 46
 Including files **PDU**: 8 - 11, 72
 APAL **PDV**: 106 - 107
 FORTRAN-PLUS **PDV**: 14 - 18
 Incorporating source from an alternate file **APL**: 97
INCREMENT/DECREMENT field **APL**: 49
 Index - string search function **DVD**: 94
 Index bits **PDT**: 5 - 7
 Indexed assignment **FPL**: 136
IFP: 46
 Indexing **FPL**: 71
TOV: 30 - 33
 constructs **FPL**: 71



expressions **FPL**: 127
 indexing an expression **FPL**: 128
 Indexing techniques **IFP**: 29 - 53
 left-hand side indexing **IFP**: 45
 reduced rank indexing **IFP**: 49
 right-hand side indexing **IFP**: 30
 shift indexing **IFP**: 44
 worked example **IFP**: 49

Indicator lights **SMV**: 27 - 28
 Indirect recursion **FPL**: 86, 146, 147
 Inhibit - A register, activity control **TOV**: 9 - 11,
 55 - 56
 Inhibit read after write **DET**: 30
 Initial line **FPL**: 5
 Initial values **FPL**: 105
 Initialisation **FPL**: 121
 Initialising **COMMON** blocks **FPL**: 117
 Initialising variables **IFP**: 8, 67, 72
Init_font routine **GRA**: 20
Init_graphics routine **GRA**: 3, 10
IMAGE parameter **GRA**: 11
MONITOR parameter **GRA**: 10
OPTION parameter **GRA**: 11
 Input and output facilities **DSC**: 3 - 8
 Input of numeric values **DET**: 26
 Input/output **IFP**: 2, 56
 Input/output, fast speed **TOV**: 5, 7, 9, 19, 20 - 21
 Input/output, medium speed **TOV**: 8, 24
INSTALL utility **SMV**: 18 - 20
 Installation **SMV**:
 hardware **SMV**: 1 - 12
 software **SMV**: 13 - 25
 Instruction field **APL**: 47, 172
 Instruction format, APAL **TOV**: 45 - 46
 Instruction modification **APL**: 10, 69
 Instruction set **APL**: 51, 179
 Instruction set, DAP **TOV**: 18, 51 - 58
INT field **APL**: 11, 49, 62, 70, 79
INT row or column address **TOV**: 16
 Integer arithmetic **FPL**: 124
 Integer constants **FPL**: 25
 Integer objects **FPL**: 19, 22
 Integer values **APL**: 16, 80, 136, 141, 168
 internal representation **APL**: 35
INTEGER*n display buffer **GRA**: 10
 Interaction between primitives and **dapconfig**
DVD: 36 - 37
 Interface routine specifications **PDV**: 167 - 175
 Interface routines **PDV**: 33 - 37
 Interface subroutines **IFP**: 68, 73
DAPCON **IFP**: 67, 68
DAPENT **IFP**: 68
DAPREC **IFP**: 2, 68, 73

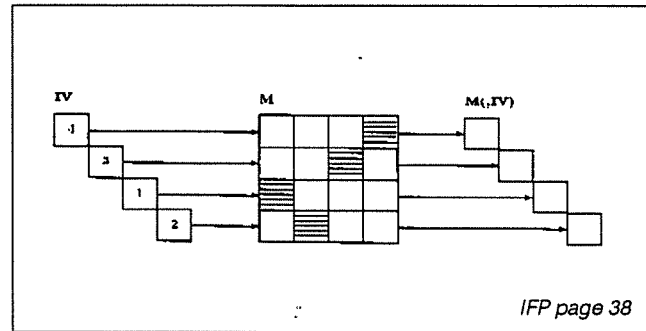
Combined Index - manual reference codes

APL APAL Language (man005.03)
DET Engineering Test Software (man008.04)
DSC DAP System Calls (man023.01)
DSP Signal Processing Library (man013.03)
DVD Writing Device Drivers (man016.02)

FPL FORTRAN-PLUS Language (man002.03)
GRA Low Level Graphics Library (man017.04)
GSL General Support Library (man010.02)
IFP Introduction to FORTRAN-PLUS (man001.03)
IPL Image Processing Library (man014.03)

PDT Parallel Data Transforms (man022.02)
PDU Program Development under UNIX (man003.03)
PDV Program Development under VAX/VMS (man004.03)
SMV Systems Management under VAX/VMS (man020.01)
TOV Technical Overview (man006.02)

DAPREL IFP: 69
DAPSEN IFP: 2, 68, 73
 Internal error **PDV**: 157 - 162
 Interrupt enable flag **DET**: 34
 Interrupt handling
 FIO devices **DVD**: 13
 VME devices **DVD**: 12
 Interrupt latency **DVD**: 12 - 13
 Interrupt routines
 naming extra routines - example **DVD**: 37
 syntax **DVD**: 28
 Interrupt vector **SMV**: 8 - 9
 DVD: 41
 Interrupts
 set processor interrupt level - **s_spl**
 DVD: 78
 Inverse FFTs **DSP**: 39 - 43
 CI_FFT_T_n_len_IN_m **DSP**: 39
 Inversion generator **PDT**: 9
 Inversion generator sequence **PDT**: 41
 performance of **PDT**: 56
IN_FFT1_In **DSP**: 28
IN_FFT1_Rn **DSP**: 30
IN_WIN1_In **DSP**: 50
IN_WIN1_Rn **DSP**: 53
 IO Board location (on the backplane)
 DAP 500 **DET**: 96
 DAP 600 **DET**: 100
ioffset **DSC**: 5
ioptions **DSC**: 13
IQ_MAG_In **DSP**: 80
IQ_MAG_Rn **DSP**: 82
IQ_PWR_In **DSP**: 72
IQ_PWR_Rn **DSP**: 74
irun **DSC**: 11
ivalues **DSC**: 16



 Combined Index - manual reference codes

APL APAL Language (man005.03)
DET Engineering Test Software (man008.04)
DSC DAP System Calls (man023.01)
DSP Signal Processing Library (man013.03)
DVD Writing Device Drivers (man016.02)

FPL FORTRAN-PLUS Language (man002.03)
GRA Low Level Graphics Library (man017.04)
GSL General Support Library (man010.02)
IFP Introduction to FORTRAN-PLUS (man001.03)
IPL Image Processing Library (man014.03)

PDT Parallel Data Transforms (man022.02)
PDU Program Development under UNIX (man003.03)
PDV Program Development under VAX/VMS (man004.03)
SMV Systems Management under VAX/VMS (man020.01)
TOV Technical Overview (man006.02)

J

J statement **APL**: 10, 49, 69, 71, 75, 85
J06 - Plotting **GSL**: 115 - 120
J06_CHAR_CONT **GSL**: 116
J06_ZEBRA_CHART **GSL**: 118
J1 and **J2** (DR11-W/DRV11-WA) **SMV**: 10
J1 and **J2** (VAX cabinet kit) **SMV**: 10
JE statement **APL**: 10, 49, 69
jeq **DET**: 45, 56
JESL statement **APL**: 71, 76, 91
jgt **DET**: 45, 56
JLOG **DET**: 31, 33, 52
jlt **DET**: 45, 56
jmp **DET**: 45, 56
jne **DET**: 45, 56
jpq **DET**: 45, 56
JSL statement **APL**: 71, 75
Jump **APL**: 48, 51, 75, 85
Jump log **DET**: 33
Jumper settings
 HVR 8217 **SMV**: 6
 IKON 10089 **SMV**: 12

 Combined Index - manual reference codes

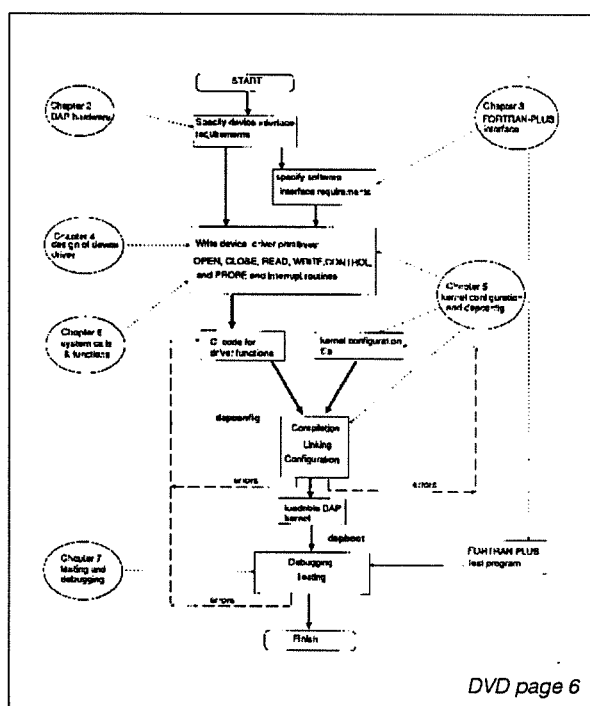
APL APAL Language (man005.03)
DET Engineering Test Software (man008.04)
DSC DAP System Calls (man023.01)
DSP Signal Processing Library (man013.03)
DVD Writing Device Drivers (man016.02)

FPL FORTRAN-PLUS Language (man002.03)
GRA Low Level Graphics Library (man017.04)
GSL General Support Library (man010.02)
IFP Introduction to FORTRAN-PLUS (man001.03)
IPL Image Processing Library (man014.03)

PDT Parallel Data Transforms (man022.02)
PDU Program Development under UNIX (man003.03)
PDV Program Development under VAX/VMS (man004.03)
SMV Systems Management under VAX/VMS (man020.01)
TOV Technical Overview (man006.02)

K

Kernel **DVD**: 39
 Kernel configuration file **DVD**: 4, 39, 41, 43, 45, 104
 example **DVD**: 42
 keywords and parameters **DVD**: 40
 statement format **DVD**: 40
 Key switch **SMV**: 28 - 31
 Keyword **APL**: 15, 145 - 147
 Keyword parameters **PDT**: 12
 Keywords **FPL**: 17
KIRSCH_8 **IPL**: 110



Combined Index - manual reference codes

APL APAL Language (man005.03)
DET Engineering Test Software (man008.04)
DSC DAP System Calls (man023.01)
DSP Signal Processing Library (man013.03)
DVD Writing Device Drivers (man016.02)

FPL FORTRAN-PLUS Language (man002.03)
GRA Low Level Graphics Library (man017.04)
GSL General Support Library (man010.02)
IIP Introduction to FORTRAN-PLUS (man001.03)
IPL Image Processing Library (man014.03)

PDT Parallel Data Transforms (man022.02)
PDU Program Development under UNIX (man003.03)
PDV Program Development under VAX/VMS (man004.03)
SMV Systems Management under VAX/VMS (man020.01)
TOV Technical Overview (man006.02)

L

- Label **APL**: 45
FPL: 137
label **DET**: 45, 56
LABEL_16 **IPL**: 136
Language system and preprocessor error messages **PDU**: 91
LAPLACE_8 **IPL**: 112
Layout
array memory board - DAP 500 & 600 **DET**: 98
DAP 500 backplane **DET**: 96
DAP 600 backplane **DET**: 101
PE chips on array board - DAP 500 & 600 **DET**: 97
ld **DET**: 41, 56
ldic **DET**: 42, 56
ldii **DET**: 42, 56
Leaving a macro **APL**: 134
Leaving procedures **FPL**: 151
LEDs error indicators on boards **DET**: 13
Left neighbour **FPL**: 21
Left-hand side indexing **IFP**: 29, 45, 48
LENGTH **FPL**: 39
PDT: 22, 28, 39 - 40
Length conversion **FPL**: 124
LENGTH keyword - kernel configuration file
DVD: 42
Length specifiers **FPL**: 23
Length substitution **APL**: 117
Lengths of objects **IFP**: 7, 8, 11, 92
LET statement **PDT**: 31 - 36, 58
lex - Sun facility **DVD**: 26
lib **DVD**: 68 - OASYS librarian 59
/LIBRARY (DASSEMBLE) **PDV**: 107
/LIBRARY (DFORTRAN) **PDV**: 16
/LIBRARY (DLIBRARY) **PDV**: 86
/LIBRARY (DLINK) **PDV**: 23
Linear equations **TOV**: 68 and 77
LINEAR mapping **PDT**: 21, 66, 70
LINEAR standard mappings **PDT**: 66 - 68
LINEAR_RM mapping **PDT**: 66, 70
LINE_DET_8 **IPL**: 114
Linker **PDV**: 23 - 32
Linker error messages **PDV**: 143 - 146
Linking **PDU**: 20
with CIF libraries **PDU**: 68
with DAP libraries **PDV**: 90
see also Consolidator
.LIS **DET**: 29
/LIST - (DASSEMBLE) **PDV**: 98
/LIST - (DFORTRAN) **PDV**: 8
/LIST - (DOPTIONS) **PDV**: 43
/LIST - (DLIBRARY) **PDV**: 88
LIST statement **APL**: 98
Listing CIF library contents **PDU**: 65
Literal **APL**: 6, 50, 172
Literal constant **FPL**: 28
LITERAL field **APL**: 50
LMATC **FPL**: 43
LMATR **FPL**: 43
lo **DET**: 8, 15, 34, 52
lo for **VRTX** tasks **DET**: 35
LOADED keyword - kernel configuration file
DVD: 42
Loading a single test **DET**: 8
Loading an executable DAP program into DAP code store **PDV**: 33
Loading the DAP device driver **SMV**: 18
Loading **VRTX** tasks **DET**: 35
Local data identity **APL**: 23, 39
Local identifier **APL**: 23
Local memory
array memory **TOV**: 3, 10, 13, 19
Local variables and arrays **FPL**: 103
IFP: 67
Locating suspect components **DET**: 95 - 96, 98, 100, 102
/LOG - (DOPTIONS) **PDV**: 43
LOG **FPL**: 39
Log files
engineer's log file - **AMTDAP_1.LOG** **SMV**: 33, 34, 36, 37, 39

Combined Index - manual reference codes

APL APAL Language (man005.03)
DET Engineering Test Software (man008.04)
DSC DAP System Calls (man023.01)
DSP Signal Processing Library (man013.03)
DVD Writing Device Drivers (man016.02)

FPL FORTRAN-PLUS Language (man002.03)
GRA Low Level Graphics Library (man017.04)
GSL General Support Library (man010.02)
IFP Introduction to FORTRAN-PLUS (man001.03)
IPL Image Processing Library (man014.03)

PDT Parallel Data Transforms (man022.02)
PDU Program Development under UNIX (man003.03)
PDV Program Development under VAX/VMS (man004.03)
SMV Systems Management under VAX/VMS (man020.01)
TOV Technical Overview (man006.02)

system log file - **DAPSYS_1.LOG** SMV: 43

.LOG DET: 5

Logarithms to base two; fast computation of

PDT: 37

Logging the driver state **DVD:** 32, 36

Logical addresses **DSC:** 17

Logical constants **FPL:** 27

Logical errors **PDU:** 51

PDV: 71

Logical expression **TOV:** 33

FPL: 69, 129

Logical **IF** statements **FPL:** 131

Logical name, **DAP_SERIAL** DET: 17

Logical objects **FPL:** 23

Logical operators **FPL:** 69

IFP: 14

Logical subscripts **IFP:** 48

LOG_EDGE_SIZE **FPL:** 62

IFP: 24

LOG_MATS **PDT:** 40

Long vector **FPL:** 21

IFP: 9, 60

longjmp - non local goto function **DVD:** 92

LONG_INDEX **FPL:** 62

IFP: 24

Look-up Table **GRA:** 1

default for 8 bit mapped colour **GRA:** 2

Loop variables **DET:** 40

Loops **FPL:** 140

Low level image processing routines **IPL:** 63 - 131

ABS_THRESH_8 **IPL:** 54

AVERAGE_8 **IPL:** 66

BOX_IN_BOX_8 **IPL:** 68

C06_FFT_ESS **IPL:** 70

C06_FFT_LV **IPL:** 72

COMP_FFT_2D_16_TO_16 **IPL:** 83

COMP_FFT_2D_16_TO_24 **IPL:** 86

COMP_FFT_2D_24_TO_24 **IPL:** 89

COMP_FFT_2D_8_TO_16 **IPL:** 77

COMP_FFT_2D_8_TO_24 **IPL:** 80

COMP_FFT_2D_8_TO_8 **IPL:** 74

COMP_FFT_2D_REAL_3 **IPL:** 92

CONVOLVE_8 **IPL:** 94

DIFF_OF_GAUSS_8 **IPL:** 96

F01_G_MM **IPL:** 98

F01_M_INV **IPL:** 100

F04_QR_GIVENS_SOLVE **IPL:** 102

FILL_IN_1 **IPL:** 104

HISTOGRAM_C_8 **IPL:** 106

HISTOGRAM_S_8 **IPL:** 108

KIRSCH_8 **IPL:** 110

LAPLACE_8 **IPL:** 112

LINE_DET_8 **IPL:** 114

NORMALIZE_8 **IPL:** 116

PERC_THRESH_8 **IPL:** 118

PREWITT_8 **IPL:** 120

PSEUDO_MEDIAN_8 **IPL:** 122

PURE_MEDIAN_8 **IPL:** 124

ROBERTS_8 **IPL:** 126

SOBEL_8 **IPL:** 128

ZERO_X_8 **IPL:** 130

LOWER_TRI **APL:** 96

FPL: 163

Combined Index - manual reference codes

APL APAL Language (man005.03)
DET Engineering Test Software (man008.04)
DSC DAP System Calls (man023.01)
DSP Signal Processing Library (man013.03)
DVD Writing Device Drivers (man016.02)

FPL FORTRAN-PLUS Language (man002.03)
GRA Low Level Graphics Library (man017.04)
GSL General Support Library (man010.02)
IFP Introduction to FORTRAN-PLUS (man001.03)
IPL Image Processing Library (man014.03)

PDT Parallel Data Transforms (man022.02)
PDU Program Development under UNIX (man003.03)
PDV Program Development under VAX/VMS (man004.03)
SMV Systems Management under VAX/VMS (man020.01)
TOV Technical Overview (man006.02)

M

- M01 - Sorting **GSL**: 121 - 144
M01_BSORT_LV **GSL**: 122
M01_INV_PERMUTE_COLS **GSL**: 125
M01_INV_PERMUTE_LV_32 **GSL**: 127
M01_INV_PERMUTE_ROWS **GSL**: 129
M01_PERMUTE_COLS **GSL**: 131
M01_PERMUTE_LV_32 **GSL**: 133
M01_PERMUTE_ROWS **GSL**: 135
M01_SORT_V_I4 **GSL**: 137
M01_SORT_V_R4 **GSL**: 141
M0 **DET**: 31, 43
M13 **DET**: 31, 43
M1 **DET**: 31, 43
M2 **DET**: 43
ma **DET**: 39, 52
Machine constants - X02 **GSL**: 189 - 206
 X02_EPSILON **GSL**: 190
 X02_MAXDEC **GSL**: 192
 X02_MAXINT **GSL**: 194
 X02_MAXPW2 **GSL**: 196
 X02_MINPW2 **GSL**: 198
 X02_RMAX **GSL**: 200
 X02_RMIN **GSL**: 202
 X02_TOL **GSL**: 204
Machine cycles **DSC**: 11
Machine states **TOV**: 16
Macro **APL**: 15, 21, 23, 84, 85, 87, 91, 93, 98, 101, 127 - 143, 166
 body **APL**: 128
 comment **APL**: 128, 142, 166
 header **APL**: 127, 128, 166
 parameter **APL**: 15, 23, 102, 108, 113, 117, 127
 parameter substitution **APL**: 132
 standard **APL**: 84
 statement **APL**: 107, 127
 variable **APL**: 15, 23, 102, 107, 113, 138
Macro
 arithmetic and logical commands **DET**: 44
 auto macro **DET**: 47
 commands at command level **DET**: 47
 compare and jump commands **DET**: 45
 display commands **DET**: 46
 display text **DET**: 46
 example of a typical **DET**: 48
 exit **DET**: 47
 label **DET**: 40
 list of all commands **DET**: 51
 load and store commands **DET**: 41
 loop variable **DET**: 40
 loop variables **DET**: 45 - 46
 looping and labels **DET**: 45
 name **DET**: 41
 nesting **DET**: 40
 parameter **DET**: 39, 41
 program control commands **DET**: 46
 write-and-test commands **DET**: 43
Macro facilities, APAL **TOV**: 48
MACRO> prompt **DET**: 46
MAG_IQ_I n **DSP**: 84
MAG_IQ_R n **DSP**: 86
Maintaining DAP system files **SMV**: 39 - 44
/MAP - (DLINK) **PDV**: 24
Map file
 - m option to **dapconfig** **DVD**: 47
 example **DVD**: 106
 use in debugging **DVD**: 99
MAP statements **PDT**: 19 - 21, 58
 using mapping vectors **PDT**: 19
 using standard mappings **PDT**: 20
Mapping **PDT**: 3, 5, 25
Mapping vector elements **PDT**: 15 - 16
 components of **PDT**: 34
 index of **PDT**: 34
 inverse of **PDT**: 6, 16, 33
 total number of **PDT**: 15
Mapping vector **PDT**: 3
 definition of **PDT**: 5 - 8
 formal syntax of **PDT**: 15 - 17
MASK parameter **PDT**: 46

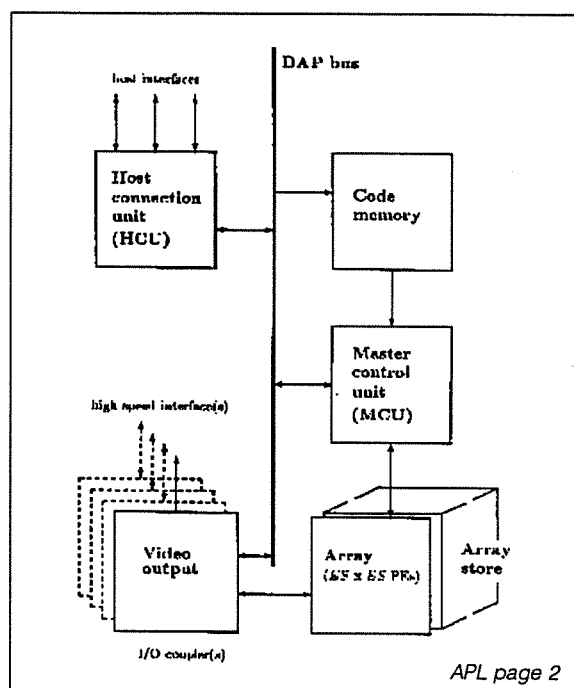
Combined Index - manual reference codes

APL APAL Language (man005.03)
DET Engineering Test Software (man008.04)
DSC DAP System Calls (man023.01)
DSP Signal Processing Library (man013.03)
DVD Writing Device Drivers (man016.02)

FPL FORTRAN-PLUS Language (man002.03)
GRA Low Level Graphics Library (man017.04)
GSL General Support Library (man010.02)
IFP Introduction to FORTRAN-PLUS (man001.03)
IPL Image Processing Library (man014.03)

PDT Parallel Data Transforms (man022.02)
PDU Program Development under UNIX (man003.03)
PDV Program Development under VAX/VMS (man004.03)
SMV Systems Management under VAX/VMS (man020.01)
TOV Technical Overview (man006.02)

Masks PDV: 76
TOV: 33
Massively parallel TOV: 1
Master bank DET: 19
Master Control Unit (MCU) DVD: 3
TOV: 3, 8, 14, 15,
20 - 21
APL: 3, 8, 10, 47, 48,
59, 61, 62, 63
bit address APL: 74
register APL: 8, 10, 11, 12, 48, 49, 51, 63, 69, 71,
73, 77, 87, 88
statements executed by APL: 47



master DET: 19, 52
MAT FPL: 43
MATC FPL: 43
Mathematical constants - X01 GSL: 185 - 188
X01_PI GSL: 186
MATR FPL: 43
Matrices IFP: 2
selection from IFP: 32

Matrix indexing FPL: 74
Matrix mode APL: 6, 82
FPL: 21
Matrix operations FPL: 154
Matrix operations - F01 GSL: 31 - 44
F01_G_MM GSL: 32
F01_MM_STRASSEN GSL: 40
F01_M_INV GSL: 36
Matrix storage mode FPL: 101
IFP: 71, 73, 74
Matrix to host conversion FPL: 57
Matrix to vector conversion FPL: 59
Matrix, two-dimensional array TOV: 27 - 29
MATS PDT: 39 - 40
MAXP FPL: 43
MAXV FPL: 44
mchk DET: 43, 56
MCU DET: 12, 15, 25, 31 - 32
jump log DET: 33
memory locations DET: 31
register DET: 43
MCU control commands DET: 33
MCU keyword, kernel configuration file DVD: 40
MCU registers, M0-M13 TOV: 14 - 15, 18, 52 - 57
MCUCP DVD: 10, 13
MCUR field APL: 48
MCUTEST1 DET: 7, 9, 48
mdir DET: 47, 56
ME DET: 32, 43
DAP 600 DET: 32
Measuring DSC:
active execution time DSC: 11
elapsed time DSC: 11
Memory
allocation by DAPOS DVD: 9
array DET: 25
code DET: 25, 42
get memory block - sc_gblock DVD: 81
map DET: 25
HCU locations DET: 31
MCU locations DET: 31
release memory block - sc_rblock DVD: 81
VME bus memory map DVD: 8
Memory plane TOV: 10, 19
MEND statement APL: 128, 134, 137, 143

Combined Index - manual reference codes

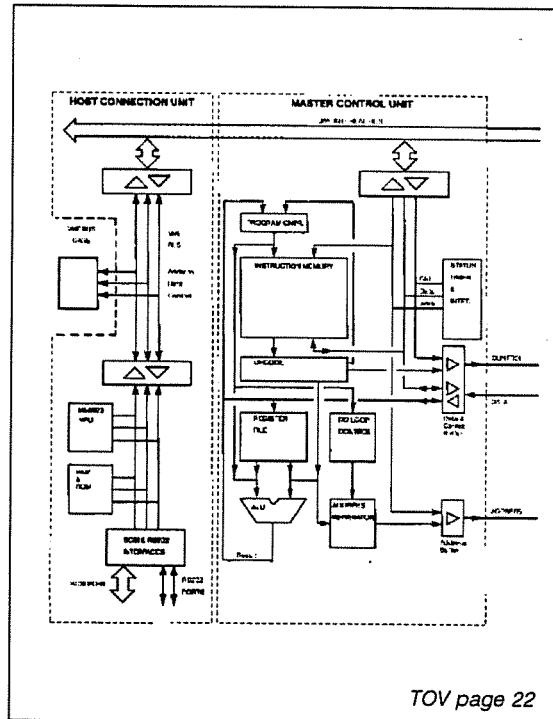
APL APAL Language (man005.03)
DET Engineering Test Software (man008.04)
DSC DAP System Calls (man023.01)
DSP Signal Processing Library (man013.03)
DVD Writing Device Drivers (man018.02)

FPL FORTRAN-PLUS Language (man002.03)
GRA Low Level Graphics Library (man017.04)
GSL General Support Library (man010.02)
IFP Introduction to FORTRAN-PLUS (man001.03)
IPL Image Processing Library (man014.03)

PDT Parallel Data Transforms (man022.02)
PDU Program Development under UNIX (man003.03)
PDV Program Development under VAX/VMS (man004.03)
SMV Systems Management under VAX/VMS (man020.01)
TOV Technical Overview (man006.02)

MENU (key switch position) SMV: 28 - 29
menu DET: 7, 53
MER APL: 77
MERGE FPL: 44
 Messages
 from **dapopt** PDU: 115
 from **DOPTIONS** PDV: 147
 from **PSAM** and **DANALYSE** PDV: 157 - 162
 from **psam** and **dapdb** PDU: 125
 from the run-time system PDV: 149 - 152
MEXIT statement APL: 135
 Milltime DSC: 11
MINP FPL: 45
MINV FPL: 45
 Miscellaneous facilities APL: 93 - 99
MIXED (code section) APL: 45
 Mixed section APL: 15, 22, 23, 39, 43, 45, 170
 Mixing APAL and FORTRAN-PLUS routines PDU: 82
 PDV: 32
MOD field APL: 49
 Mode A; B; C; D; E; F (address or value generation)
 APL: 61
mode DSC: 3
 Modes, types and lengths of data objects IFP: 7
 Mode FPL: 20
 of a function FPL: 87
 IFP: 17, 66
 of an expression FPL: 63, 135, 136
 IFP: 14
 of an operation FPL: 154
 of the object selected in right-hand side indexing
 IFP: 30
 see also Storage mode
 Modification APL: 49, 65, 69, 70
 Modifier register APL: 10, 11, 12, 40, 64, 66, 68,
 69, 71
 TOV: 15
 format APL: 69
MODULE APL: 22
 Module; APAL APL: 21, 44, 168
 Monadic string test APL: 123, 164
 Motorola 68020 microprocessor TOV: 9
 Moving the file pointer DSC: 5
MP DET: 31, 43
MQUIT statement APL: 128, 135

mreg DET: 32, 53
MSET statement APL: 128, 139
mset DET: 43, 57
msg DET: 46, 57
MSGS DVD: 10
mstart DET: 33, 53
mstop DET: 33, 53



TOV page 22

Multi-module CIF files PDU: 63
 Multi-module DAP object files PDV: 85
 Multi-tasking under DAPOS DVD: 8
 Multi-user device driver DVD: 4
 Multiprogramming PDU: 33
 GRA: 3
MULT_8_TO_16 IPL: 40
MVAR statement APL: 138, 166

Combined Index - manual reference codes

APL APAL Language (man005.03)
 DET Engineering Test Software (man008.04)
 DSC DAP System Calls (man023.01)
 DSP Signal Processing Library (man013.03)
 DVD Writing Device Drivers (man016.02)

FPL FORTRAN-PLUS Language (man002.03)
 GRA Low Level Graphics Library (man017.04)
 GSL General Support Library (man010.02)
 IFP Introduction to FORTRAN-PLUS (man001.03)
 IPL Image Processing Library (man014.03)

PDT Parallel Data Transforms (man022.02)
 PDU Program Development under UNIX (man003.03)
 PDV Program Development under VAX/VMS (man004.03)
 SMV Systems Management under VAX/VMS (man020.01)
 TOV Technical Overview (man006.02)

N

Name property **APL**: 27, 44, 45, 46
name **DSC**: 3
name+text **DSC**: 13
 Names, symbolic **FPL**: 15, 16
 Naming **FPL**: 32, 72
 Nearest neighbors **TOV**: 2, 11, 12
 Nearest neighbour shifts **IFP**: 44
 Nested **DO** loops **FPL**: 142
 Nesting macros **DET**: 40
 Network Control Program (NCP) **SMV**: 15
next **DET**: 8, 19, 53
 Nexus numbers **SMV**: 4, 7, 9
NOM_MAT_EMSK **FPL**: 50
NOM_MAT_ERPT **FPL**: 50
NOM_SCA_EMSK **FPL**: 50
NOM_SCA_ERPT **FPL**: 51
NOM_VEC_EMSK **FPL**: 51
NOM_VEC_ERPT **FPL**: 51
 Non - terminals **PDT**: 12, 62
 Non-executable statements **FPL**: 6
 Normal mode **SMV**: 3
NORMALIZE_8 **IPL**: 116
 North neighbour **FPL**: 21
not **DET**: 44, 57
NOTE statement **APL**: 99
'NSHUFFLE **APL**: 96
 Null indexing expression **FPL**: 73
 Null subscripts **IFP**: 30, 31, 33, 34, 46, 96
NULL **DET**: 48
 Number representation **APL**: 8
numbytes **DSC**: 6 - 7, 15 - 16
 Numeric values, input of **DET**: 26
 Numeric values in calls **DSC**: 1
numsent **DSC**: 6 - 7
 NVRAM **SMV**: 40

Combined Index - manual reference codes

APL APAL Language (man005.03)
DET Engineering Test Software (man008.04)
DSC DAP System Calls (man023.01)
DSP Signal Processing Library (man013.03)
DVD Writing Device Drivers (man016.02)

FPL FORTRAN-PLUS Language (man002.03)
GRA Low Level Graphics Library (man017.04)
GSL General Support Library (man010.02)
IFP Introduction to FORTRAN-PLUS (man001.03)
IPL Image Processing Library (man014.03)

PDT Parallel Data Transforms (man022.02)
PDU Program Development under UNIX (man003.03)
PDV Program Development under VAX/VMS (man004.03)
SMV Systems Management under VAX/VMS (man020.01)
TOV Technical Overview (man006.02)

O

OASYS C DVD: 46
 OASYS development system DVD: 113
 /OBJECT - (DASSEMBLE) PDV: 98
 /OBJECT - (DFORTRAN) PDV: 6
 Object Libraries (default) SMV: 24
 Objects in FORTRAN-PLUS FPL: 19
 IFP: 7, 11
 Off-stack data IFP: 67
 off DET: 38, 53
 OFFSET parameter PDT: 49
 On-stack data IFP: 67
 on DET: 38, 53
 OPCOM (starting) SMV: 25
 OPEN primitive DVD: 4, 33
 syntax DVD: 29
 Opening a device DSC: 13
 Opening a file DSC: 3
 OPERator privilege (VAX/VMS) DET: 4
 Operating system - DAPOS DVD: 8
 OPERATION field APL: 48
 Operation, mode of an FPL: 154
 Operations research, graph structures and
 networks - H01 GSL: 109 - 114
 H01_L_ASSIGN GSL: 110
 Operators FPL: 63
 arithmetic FPL: 65
 logical FPL: 69
 relational FPL: 69
 Option/qualifiers when **dapet** is called DET: 15
 OPTIONS keyword, kernel configuration file
 conditional compilation DVD: 41
 or DET: 44, 57
 ORCOLS FPL: 45
 Order of evaluation FPL: 123, 129
 ORROWS FPL: 45
 Orthogonal display for PE plane read commands
 DET: 29
 Orthogonal R plane APL: 51
 Output listing APL: 98

 Combined Index - manual reference codes

APL APAL Language (man005.03)
 DET Engineering Test Software (man008.04)
 DSC DAP System Calls (man023.01)
 DSP Signal Processing Library (man013.03)
 DVD Writing Device Drivers (man016.02)

FPL FORTRAN-PLUS Language (man002.03)
 GRA Low Level Graphics Library (man017.04)
 GSL General Support Library (man010.02)
 IFP Introduction to FORTRAN-PLUS (man001.03)
 IPL Image Processing Library (man014.03)

PDT Parallel Data Transforms (man022.02)
 PDU Program Development under UNIX (man003.03)
 PDV Program Development under VAX/VMS (man004.03)
 SMV Systems Management under VAX/VMS (man020.01)
 TOV Technical Overview (man006.02)

P

- Palette **GRA**: 1, 13
panic **DVD**: 35
 Parallel assignment **IFP**: 11
 Parallel Data Transforms **PDT**:
 PDU: 12
 DVD: 22, 33
 TOV: 26
- PARAMETER** **IFP**: 8
 Parameter association (macros) **APL**: 132
PARAMETER statement **FPL**: 2, 9
 Parameter substitution (macros) **APL**: 135
 Parameter template (macros) **APL**: 129, 132
 Parameters
 for macros **DET**: 39, 41
 for test elements **DET**: 37
 Parametric call **APL**: 88
'PARBASE **APL**: 87
 Passing data between host and DAP **APL**: 90
 PDV: 37
- patterns.df** **FPL**: 161
Pattern mode - **psam** environment variable
 GRA: 25
- PAUSE** **IFP**: 66, 80
 PDU: 3, 51
 PDV: 71
- PAUSE 9999** **PDV**: 48
PAUSE statement **FPL**: 9, 152
pause **DET**: 46, 57
- PC** **DET**: 31, 33
#pdt directive **PDU**: 11, 12
 PDT preprocessor **PDT**: 13, 19 - 24, 5
 PDT statements **PDT**: 11 - 13
 input format **PDT**: 11
 performance of **PDT**: 55
 statement length **PDT**: 11
 syntax of **PDT**: 12, 57 - 62
 PDTs, overview of **PDT**: 5 - 9
- PE** **APL**: 3, 4, 8, 10, 47, 48, 51
 array (or matrix) **APL**: 3, 6, 10, 48, 51
 DET: 19
 write and display commands **DET**: 27
 bank A/B **DET**: 19
 chip **DET**: 12
 chip - suspect **DET**: 95
 master bank **DET**: 19
 planes **DET**: 27, 34
 register plane **APL**: 51, 52, 77, 87
 see also Processor element
- PER** **APL**: 77
PERC_THRESH 8 **IPL**: 118
 Performance **TOV**: 4
 Peripheral devices **TOV**: 14
pestate **DET**: 33, 53
PLANAR mapping **PDT**: 24, 29, 50, 63, 70
 Planar shift left **DET**: 44
 Planar shift right **DET**: 44
PLANAR standard mappings **PDT**: 63 - 66
PLANAR_RM mapping **PDT**: 64, 70
 Plane **FPL**: 40, 99
PLANE (data item) **APL**: 50, 68
 Plane geometry **APL**: 50, 68
 IFP: 23, 45, 62
 substitution **APL**: 107, 110, 162
 Plane read **DET**: 29
 Plane write **DET**: 29
 Plane-aligned **FPL**: 55, 115
 Plane-aligned-name **FPL**: 55
PLANES parameter **PDT**: 47
 Plotting - J06 **GSL**: 115 - 120
 J06_CHAR_CONT **GSL**: 116
 J06_ZEBRA_CHART **GSL**: 118
 Portability of **GRALIB** **GRA**: 4
 Potential inaccuracy **FPL**: 126
 Powering up the DAP **SMV**: 27 - 31
 Powers of two; fast computation of **PDT**: 37

Combined Index - manual reference codes

APL APAL Language (man005.03)	FPL FORTRAN-PLUS Language (man002.03)	PDT Parallel Data Transforms (man022.02)
DET Engineering Test Software (man008.04)	GRA Low Level Graphics Library (man017.04)	PDU Program Development under UNIX (man003.03)
DSC DAP System Calls (man023.01)	GSL General Support Library (man010.02)	PDV Program Development under VAX/VMS (man004.03)
DSP Signal Processing Library (man013.03)	IFP Introduction to FORTRAN-PLUS (man001.03)	SMV Systems Management under VAX/VMS (man020.01)
DVD Writing Device Drivers (man016.02)	IPL Image Processing Library (man014.03)	TOV Technical Overview (man006.02)

Preprocessor directives PDU: 6, 72
 Preprocessor errors PDU: 13, 74, 91
 Preprocessor facilities

APAL PDV: 106 - 108

FORTRAN-PLUS PDV: 14 - 18

Preset data FPL: 103, 105

IFP: 67, 68

PREWITT 8 IPL: 120

Primary - of an expression FPL: 63

printf DVD: 32

printf subroutine DVD: 89

examining driver variables DVD: 99

in interrupt routines DVD: 28

use in debugging DVD: 97

PRINT MAP TABLE statement PDT: 24, 58

PRIORITY keyword, kernel configuration file
 DVD: 42

Priority interrupt level DVD: 12

Priority of VRTX task DET: 37

PROBE routine DVD: 26

Procedure FPL: 2

Procedure writing FPL: 85

Process status PDV: 56

Processing time PDT: 22, 56

Processor array TOV: 8, 10, 12, 20 - 21

Processor element APL: 3, 4, 8

TOV: 2, 3, 9, 10, 11

IFP: 71, 91, 92

see also PE

Processor element functions APL: 8

Processor instructions TOV: 51 - 56

Processor, single bit TOV: 1, 9, 13

Producing APAL programs for various sizes of DAP
 PDU: 71

Producing executable programs PDU: 2
 PDV: 2

example PDV: 37 - 42

Producing FORTRAN-PLUS programs for various
 sizes of DAP PDU: 5

Program development TOV: 26, 49 - 50, 65 - 66

under UNIX PDU:

under VAX/VMS PDV:

Program execution FPL: 119

IFP: 68

Program run time DSC: 11

Program state analysis mode - PSAM PDV: 45, 73 -
 80

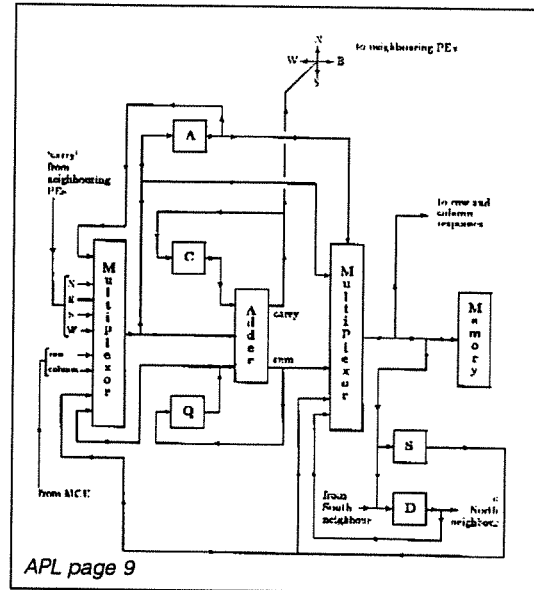
- psam PDU: 53

Program structure IFP: 65

Program testing PDU: 49 - 69

PDV: 69 - 83

'PROLOGUE (macro) APL: 84, 86, 87, 88



Prompt

AUTO> DET: 8

DAPET> DET: 4, 39

MACRO> DET: 46

Proper expressions FPL: 148

Protected character APL: 102

Protected string APL: 103, 136

psam PDU: 53

TOV: 26, 65 - 66

APAL users display controls PDU: 57

displaying variables PDU: 55

select a procedure PDU: 54

selecting in **dapopt** PDU: 39

stack manipulation PDU: 53

psam environment variable GRA: 25

Combined Index - manual reference codes

APL APAL Language (man005.03)
 DET Engineering Test Software (man008.04)
 DSC DAP System Calls (man023.01)
 DSP Signal Processing Library (man013.03)
 DVD Writing Device Drivers (man016.02)

FPL FORTRAN-PLUS Language (man002.03)
 GRA Low Level Graphics Library (man017.04)
 GSL General Support Library (man010.02)
 IFP Introduction to FORTRAN-PLUS (man001.03)
 IPL Image Processing Library (man014.03)

PDT Parallel Data Transforms (man022.02)
 PDU Program Development under UNIX (man003.03)
 PDV Program Development under VAX/VMS (man004.03)
 SMV Systems Management under VAX/VMS (man020.01)
 TOV Technical Overview (man006.02)

Pseudo instruction (or statement) APL: 52, 58, 70,
73

PSEUDO_MEDIAN_8 IPL: 122

PURE_MEDIAN_8 IPL: 124

Put_characters routine GRA: 21

Num_in_string GRA: 21

OP parameter GRA: 21

 String GRA: 21

Put_dots routine GRA: 17

Put_frame routine GRA: 1, 15

Put_lines routine GRA: 18

Put_lut routine GRA: 14

LUT integer array GRA: 14

Put_rectangles routine GRA: 17

Put_wide_lines routine GRA: 19

PWR OFF (key switch position) SMV: 27, 28

PWR_IQ_In DSP: 76

PWR_IQ_Rn DSP: 78

pxl - bits per pixel GRA: 1 - 2

Combined Index - manual reference codes

APL APAL Language (man005.03)
DET Engineering Test Software (man008.04)
DSC DAP System Calls (man023.01)
DSP Signal Processing Library (man013.03)
DVD Writing Device Drivers (man016.02)

FPL FORTRAN-PLUS Language (man002.03)
GRA Low Level Graphics Library (man017.04)
GSL General Support Library (man010.02)
IFP Introduction to FORTRAN-PLUS (man001.03)
IPL Image Processing Library (man014.03)

PDT Parallel Data Transforms (man022.02)
PDU Program Development under UNIX (man003.03)
PDV Program Development under VAX/VMS (man004.03)
SMV Systems Management under VAX/VMS (man020.01)
TOV Technical Overview (man006.02)

Q

Q Plane **APL**: 8, 51, 87, 175
 Q register, accumulator **TOV**: 9 - 10, 10, 11
q **DET**: 6
 Qbus **SMV**: 2
 Qbus Adapter **SMV**: 7
qclr **DET**: 6, 53
 Quantum **PDV**: 59 - 60, 65
 /**QUANTUM (DAPMAN)** **PDV**: 60, 65
 Queue characteristics file (DAP) **SMV**: 42
 Queue - stopping a **PDV**: 63
 Queue initialisation **PDV**: 61
 Queue management **PDV**: 60
 Queues **DVD**: 9
 accept message from a queue - **s_qaccept**
 DVD: 75
 create a message queue - **s_qcreate** **DVD**: 72
 defining extra queues **DVD**: 46
 delete a message queue - **s_qdelete** **DVD**: 73
 empty a message queue - **s_qclean** **DVD**: 71
 obtain message count - **s_qinquiry** **DVD**: 74
 pend for message from a queue - **s_qpend**
 DVD: 75
 post a message to a queue - **s_qpost** **DVD**: 76
QUEUES keyword, kernel configuration file
 DVD: 42
QUIT - (**PSAM**) **PDV**: 76
quit **DET**: 6, 53
 Quitting **psam** and dump taking **PDU**: 57
 Quitting **PSAM** and dump taking **PDV**: 76

 Combined Index - manual reference codes

APL APAL Language (man005.03)
DET Engineering Test Software (man008.04)
DSC DAP System Calls (man023.01)
DSP Signal Processing Library (man013.03)
DVD Writing Device Drivers (man016.02)

FPL FORTRAN-PLUS Language (man002.03)
GRA Low Level Graphics Library (man017.04)
GSL General Support Library (man010.02)
IFP Introduction to FORTRAN-PLUS (man001.03)
IPL Image Processing Library (man014.03)

PDT Parallel Data Transforms (man022.02)
PDU Program Development under UNIX (man003.03)
PDV Program Development under VAX/VMS (man004.03)
SMV Systems Management under VAX/VMS (man020.01)
TOV Technical Overview (man006.02)

R

- RAPL** statement APL: 70, 73
 R plane APL: 51
 R-section PDT: 8, 15, 16
RAC statement APL: 71, 75
RACE statement APL: 71, 75
 Rainbow palette GRA: 13
 RAM storage TOV: 9
 Random number generation TOV: 68
 Random numbers - G05 GSL: 91 - 108
 G05_MC_BEGIN GSL: 92
 G05_MC_I4 GSL: 95
 G05_MC_I8 GSL: 98
 G05_MC_NORMAL_R4 GSL: 100
 G05_MC_R4 GSL: 103
 G05_MC_R8 GSL: 105
 G05_MC_REPEAT GSL: 107
 Rank of an array FPL: 96
RAR statement APL: 70
RASC statement APL: 70, 73
Rasterop routine GRA: 22
 Height parameter GRA: 23
 IERR parameter GRA: 23
 Input parameter GRA: 22
 IX parameter GRA: 22
 IY parameter GRA: 22
 OP parameter GRA: 23
 Width parameter GRA: 22
 X_in parameter GRA: 23
 X_out parameter GRA: 23
 Y_in parameter GRA: 23
 Y_out GRA: 23

RASTER_CRINK IPL: 20
RASTER_SHEET IPL: 22
 Rates - performance TOV: 4
RAW statement APL: 70, 88
RAWD statement APL: 70
RAX statement APL: 70, 87
 RCA index PDT: 33, 41
RDGC statement APL: 70

Read command
 PE plane DET: 34
 plane DET: 29
 row DET: 28
 Read only data area PDU: 25
 Read only host common area PDU: 25
READ primitive DVD: 4 - 33
 syntax DVD: 29
 Read/write data area PDU: 25
 Read/write host common area PDU: 25
 Reading from a device DSC: 14
 Reading from a file DSC: 6
READY FOR DAPBOOT message SMV: 31
 Real constant FPL: 26
 Real forward FFT DSP: 20 - 23
 RF_FFT1_In DSP: 20
 RF_FFT1_Rn DSP: 22
 Real inverse FFT DSP: 24 - 27
 RI_FFT1_In DSP: 24
 RI_FFT1_Rn DSP: 26
 Real objects FPL: 19, 22
 Real values APL: 17, 29, 31, 80, 168
 internal representation APL: 35
 Recursion FPL: 86, 146, 147
 IFP: 68
 recursive procedures FPL: 103
redg DET: 33, 53
 Reduced rank indexing FPL: 71, 81
 IFP: 49

 References PDT: 3
 Referencing FPL: 32, 72
 Reflect register DET: 33
 Reformatting binary data - **swab** DVD: 88
 Register
 error DET: 33
 MCU DET: 43
 parity DET: 33
 reflect DET: 33
 status DET: 33
 system display and alteration DET: 31

Combined Index - manual reference codes

APL APAL Language (man005.03)
 DET Engineering Test Software (man008.04)
 DSC DAP System Calls (man023.01)
 DSP Signal Processing Library (man013.03)
 DVD Writing Device Drivers (man016.02)

FPL FORTRAN-PLUS Language (man002.03)
 GRA Low Level Graphics Library (man017.04)
 GSL General Support Library (man010.02)
 IFP Introduction to FORTRAN-PLUS (man001.03)
 IFL Image Processing Library (man014.03)

PDT Parallel Data Transforms (man022.02)
 PDU Program Development under UNIX (man003.03)
 PDV Program Development under VAX/VMS (man004.03)
 SMV Systems Management under VAX/VMS (man020.01)
 TOV Technical Overview (man006.02)

- Register plane TOV: 9, 10
 Registers PDU: 57
 displayed by PSAM PDV: 77
regs DET: 32, 53
 Relational expressions FPL: 68, 127, 130
 Relational operators FPL: 69
 IFP: 14
release_block - system call DVD: 61
REMAP statement PDT: 22, 58
 performance of PDT: 55
rep DET: 18, 38, 53
REPEAT statement APL: 140, 143
 Repeated substitution APL: 118, 162
 Reporting computational errors FPL: 157
 Requesting stack space APL: 97
 Requirements DVD: 5
 RESET (key switch position) SMV: 27, 28
 Response codes from DAPCON PDV: 165
 PDU: 135
 Restarting a DAP program DSC: 9
 Restoring default options
 dapopt PDU: 44
 DOPTIONS PDV: 52
 Restrictions on usage of symbolic names FPL: 17
 /**RESUME** (DAPMAN) PDV: 59
 Resuming a DAP process PDV: 59
RETURN statement FPL: 9, 137, 151
 IFP: 55, 66, 69
 Return values DVD: 15, 31
REV FPL: 45
REVC FPL: 46
 Reverse mode SMV: 3
REVR FPL: 46
RF_FFT1_In DSP: 20
RF_FFT1_Rn DSP: 22
RGB_val function GRA: 9, 26
RGB_vals function GRA: 9, 26
 Right neighbour FPL: 21
 Right-hand side indexing IFP: 29, 30, 39
rindex - string search function DVD: 94
RI_FFT1_In DSP: 24
RI_FFT1_Rn DSP: 26
ROBERTS_8 IPL: 126
 Routines, summary of GRA: 9
ROW FPL: 46
ROW (data item) APL: 31, 111
 Row
 read command DET: 28
 write command DET: 28
 Row substitution APL: 111, 162
 (array store) APL: 4
ROWN FPL: 46
ROWPACK APL: 28, 29, 30, 169
ROWS APL: 77
 FPL: 46
rreg DET: 32, 53
 RS DVD: 232C interface 97
 RS232 interface TOV: 8, 24
RST_MAT_EMSK FPL: 51
RST_MAT_ERPT FPL: 52
RST_SCA_EMSK FPL: 52
RST_SCA_ERPT FPL: 52
RST_VEC_EMSK FPL: 53
RST_VEC_ERPT FPL: 53
 RUN (key switch position) SMV: 27 - 28, 30 - 31
 Run-time
 checks PDU: 20
 PDV: 20
 CPU limit PDV: 46
 diagnostic facilities PDU: 3
 PDV: 3
 diagnostic information PDU: 20
 DASSEMBLE PDV: 108
 DFORTRAN PDV: 20
 DOPTIONS PDV: 45
 error action PDU: 39
 PDV: 45
 error management IFP: 79
 error messages PDT: 73
 errors - classes of PDV: 69
 system - messages from PDV: 149 - 152
 system errors PDU: 117 - 120
 system software TOV: 5, 9
run DET: 17, 34, 53

 Combined Index - manual reference codes

APL APAL Language (man005.03)
DET Engineering Test Software (man008.04)
DSC DAP System Calls (man023.01)
DSP Signal Processing Library (man013.03)
DVD Writing Device Drivers (man016.02)

FPL FORTRAN-PLUS Language (man002.03)
GRA Low Level Graphics Library (man017.04)
GSL General Support Library (man010.02)
IFP Introduction to FORTRAN-PLUS (man001.03)
IPL Image Processing Library (man014.03)

PDT Parallel Data Transforms (man022.02)
PDU Program Development under UNIX (man003.03)
PDV Program Development under VAX/VMS (man004.03)
SMV Systems Management under VAX/VMS (man020.01)
TOV Technical Overview (man006.02)

Running

an array test **DET:** 11
 a single test **DET:** 9
 a test sequence repeatedly **DET:** 18
 DAP programs **PDU:** 31 - 47
 PDV: 33 - 68
dapconfig **DVD:** 47
 one test element **DET:** 17
 tests automatically **DET:** 8
 the automatic test sequence **DET:** 19
 the kernel **DVD:** 48 - 49
RUNNING - VRTX task **DET:** 35 - 36

 Combined Index - manual reference codes

APL APAL Language (man005.03)
DET Engineering Test Software (man008.04)
DSC DAP System Calls (man023.01)
DSP Signal Processing Library (man013.03)
DVD Writing Device Drivers (man016.02)

FPL FORTRAN-PLUS Language (man002.03)
GRA Low Level Graphics Library (man017.04)
GSL General Support Library (man010.02)
IPL Introduction to FORTRAN-PLUS (man001.03)
IPL Image Processing Library (man014.03)

PDT Parallel Data Transforms (man022.02)
PDU Program Development under UNIX (man003.03)
PDV Program Development under VAX/VMS (man004.03)
SMV Systems Management under VAX/VMS (man020.01)
TOV Technical Overview (man006.02)

S

- S - Special functions **GSL**: 145 - 184
 S register **TOV**: 11
S04_ARC_COS **GSL**: 146
S04_ARC_SIN **GSL**: 150
S04_ATAN2_M **GSL**: 154
S04_ATAN2_V **GSL**: 157
S04_COS_INT **GSL**: 160
S04_MOD_BES_I0 **GSL**: 164
S04_MOD_BES_I1 **GSL**: 168
S04_SIN_INT **GSL**: 172
S15_ERF **GSL**: 176
S15_ERFC **GSL**: 180
 /save **DET**: 5, 18, 54
 /saveoff **DET**: 5, 54
 Saving a session log **DET**: 5
 Scalar arrays **IFP**: 8, 71, 72
 Scalar mode **FPL**: 20
 IFP: 7, 16
 TOV: 28 - 30
 Scalar mode objects **IFP**: 8, 14
 Scalar operations **FPL**: 154
 Scalar storage mode **FPL**: 99
 IFP: 71, 73, 74
 Scalar to host conversion **FPL**: 58
 Scalar to vector conversion **FPL**: 61
 Scalar variables **IFP**: 8, 9, 71
SCAL_ADD_8 **IPL**: 36
SCAL_DIV_8 **IPL**: 42
 Scope of identifier **APL**: 23, 46
 Screen buffer **GRA**: 1
 Screen co-ordinates **GRA**: 1
 Screen output **DET**: 4, 7, 9, 11 - 12
 SCSI **DET**: 15 - 16
 SCSI driver
 small computer serial interface **DVD**: 9
 TOV: 5, 24
sc_gblock - system call **DVD**: 81
sc_rblock - system call **DVD**: 81
sc_tcreate - system call **DVD**: 82
sc_tdelete - system call **DVD**: 83
sc_tinquiry - system call **DVD**: 84
sc_tpriority - system call **DVD**: 85
sc_tresume - system call **DVD**: 86
sc_tsuspend - system call **DVD**: 87
 Section identifiers **PDT**: 15, 32 - 33
 Section substitution **APL**: 110, 162
SEGMENT_8 **IPL**: 134
 SELECT button **SMV**: 27 - 28
SELECT command (**PSAM**) **PDV**: 74
 Select procedure command (**psam**) **PDU**: 54
SELECT/DOWN command (**PSAM**) **PDV**: 75
SELECT/TOP command (**PSAM**) **PDV**: 75
SELECT/UP command (**PSAM**) **PDV**: 75
 Selecting a dump **PDU**: 60
 DANALYSE **PDV**: 81
 Selection
 from matrices **IFP**: 32
 from matrix arrays **IFP**: 39
 from vectors and vector arrays **IFP**: 31
SELFTEST **SMV**: 29
 Serial communications
 under UNIX (9600 baud) **DET**: 15
 under VAX/VMS (9600 baud) **DET**: 16
 Serial interface **DVD**: 97
 Serial port B **DVD**: 77
 /SERIAL **DET**: 16
SET DUMP - (**DANALYSE**) **PDV**: 82
SET FILE - (**DANALYSE**) **PDV**: 82
SET PROCESS (**DAPMAN**) **PDV**: 59 - 60
SET QUEUE (**DAPMAN**) **PDV**: 61 - 62
SET statement **APL**: 106, 125, 139, 164
SET SYSTEM (**DAPMAN**) **PDV**: 60, 64 - 65
setjmp **DVD**: 27
setjmp - non local goto function **DVD**: 92
setloop **DET**: 45, 57
setp **DET**: 37, 54
SETSTATE **FPL**: 53, 155
setstore **DET**: 34, 54
set_bus_error function **DVD**: 90
Set_colour_regime routine **GRA**: 12

Combined Index - manual reference codes

APL APAL Language (man005.03)
DET Engineering Test Software (man008.04)
DSC DAP System Calls (man023.01)
DSP Signal Processing Library (man013.03)
DVD Writing Device Drivers (man016.02)

FPL FORTRAN-PLUS Language (man002.03)
GRA Low Level Graphics Library (man017.04)
GSL General Support Library (man010.02)
IFP Introduction to FORTRAN-PLUS (man001.03)
IPL Image Processing Library (man014.03)

PDT Parallel Data Transforms (man022.02)
PDU Program Development under UNIX (man003.03)
PDV Program Development under VAX/VMS (man004.03)
SMV Systems Management under VAX/VMS (man020.01)
TOV Technical Overview (man006.02)

Default colour regime GRA: 13
 OP parameter GRA: 12
 Set_lut routine GRA: 13
 ILUT parameter GRA: 13
 sfo DET: 34, 54
 Sharing DAP software SMV: 18, 19
 SHEC FPL: 47
 Sheet mapping PDT: 24, 29, 50, 63
 SHEET_CRINK IPL: 24
 SHEET_RASTER IPL: 26
 SHEP FPL: 47
 Shift functions IFP: 23, 44
 Shift instruction APL: 48, 49
 Shift operators IFP: 45
 SHIFT parameter PDT: 49
 Shifting operations IPL: 3 (Intro)
 Shifting routines TOV: 63, 71, 75
 Shifts IFP: 62
 SHIFT_COL_NORTH_C IPL: 56
 SHIFT_COL_NORTH_P IPL: 54
 SHIFT_IMAGE_NORTH_C IPL: 48
 SHIFT_IMAGE_NORTH_P IPL: 46
 SHIFT_ROW_NORTH_C IPL: 52
 SHIFT_ROW_NORTH_P IPL: 50
 SHIFT_SHEET_NORTH_C IPL: 60
 SHIFT_SHEET_NORTH_P IPL: 58
 shl DET: 44, 57
 SHLC FPL: 47
 SHLP FPL: 47
 SHNC FPL: 47
 SHNP FPL: 48
 SHORT_INDEX FPL: 62
 IFP: 24
 SHOWERRORS - (PSAM) PDV: 76
 SHOWMASKS - (PSAM) PDV: 76
 SHOWPROCESS (DAPMAN) PDV: 58
 SHOWQUEUE (DAPMAN) PDV: 62
 SHOWREGISTERS - (PSAM) PDV: 77
 SHOWSTACK - (PSAM) PDV: 74
 SHOWSYSTEM (DAPMAN) PDV: 56, 65
 shr DET: 44, 57
 SHRC FPL: 48
 SHRP FPL: 48
 SHSC FPL: 48
 SHSP FPL: 48

' SHUFFLE APL: 96
 SHUFFLE FPL: 163
 SHWC FPL: 48
 SHWP FPL: 48
 Signal format conversion DSP: 71 - 87
 TOV: 80
 IQ_MAG_In DSP: 80
 IQ_MAG_Rn DSP: 82
 IQ_PWR_In DSP: 72
 IQ_PWR_Rn DSP: 74
 MAG_IQ_In DSP: 84
 MAG_IQ_Rn DSP: 86
 PWR_IQ_In DSP: 76
 PWR_IQ_Rn DSP: 78
 Signal generation DSP: 57 - 69
 Signal generation routines TOV: 80
 Signal processing software - digital signal
 processing library TOV: 26, 79 - 80
 Significance PDT: 5, 15
 Signifier character APL: 18
 SIMD architecture TOV: 1, 2, 8
 Simple assignment FPL: 135
 IFP: 11
 /SIMULATE - (DOPTIONS) PDV: 43, 46, 52

$$w(n) = \sum_{n=0}^{N/2} (-1)^m \cdot a_m \cdot \cos\left(\frac{2\pi nm}{N}\right)$$

where $\sum_{m=0}^{N/2} a_m = 1.0$

DSP page 54

Simulator DVD: 26
 PDU: 40 - 44, 47
 errors PDU: 47
 PDV: 54
 error messages PDU: 133
 PDV: 163
 loading PDU: 31
 options PDV: 46 - 52

Combined Index - manual reference codes

APL APAL Language (man005.03)
 DET Engineering Test Software (man008.04)
 DSC DAP System Calls (man023.01)
 DSP Signal Processing Library (man013.03)
 DVD Writing Device Drivers (man018.02)

FPL FORTRAN-PLUS Language (man002.03)
 GRA Low Level Graphics Library (man017.04)
 GSL General Support Library (man010.02)
 IFP Introduction to FORTRAN-PLUS (man001.03)
 IPL Image Processing Library (man014.03)

PDT Parallel Data Transforms (man022.02)
 PDU Program Development under UNIX (man003.03)
 PDV Program Development under VAX/VMS (man004.03)
 SMV Systems Management under VAX/VMS (man020.01)
 TOV Technical Overview (man006.02)

- selecting (**dapopt**) PDU: 38
 software TOV: 26
 using the PDV: 54
- Simultaneous linear equations – F04 GSL: 63 - 90
F04_BIGSOLVE GSL: 64
F04_GJ_LE_ES GSL: 70
F04_OR_GIVENS_SOLVE GSL: 75
F04_TRIDS_ES GSL: 79
F04_TRIDS_ES_SQ GSL: 83
F04_TRIDS_LV GSL: 87
- Simwork system errors PDV: 163
SIN FPL: 39
- Sine wave DSP: 58 - 61
CSINE_In DSP: 58
CSINE_Rn DSP: 60
- SKIP** statement APL: 10, 85
- Slave bank DET: 19
- Sleep time DVD: 15
- SOBEL_8** IPL: 128
- Sockets DSC: 4
- Software connection DVD: 2
- Software Installation SMV: 13 - 25
- Software overview TOV: 5, 25 - 26
- Software requirements DVD: 5
- Sorting – M01 GSL: 121 - 144
M01_BSORT_LV GSL: 122
M01_INV_PERMUTE_COLS GSL: 125
M01_INV_PERMUTE_LV_32 GSL: 127
M01_INV_PERMUTE_ROWS GSL: 129
M01_PERMUTE_COLS GSL: 131
M01_PERMUTE_LV_32 GSL: 133
M01_PERMUTE_ROWS GSL: 135
M01_SORT_V_I4 GSL: 137
M01_SORT_V_R4 GSL: 141
- Source files PDU: 1
 PDV: 1, 5, 95
- Source listings PDU: 14, 75
 APAL PDV: 98 - 104
 FORTRAN-PLUS PDV: 8 - 14
- South neighbour FPL: 21
- Special functions – S GSL: 145 - 184
S04_ARC_COS GSL: 146
S04_ARC_SIN GSL: 150
S04_ATAN2_M GSL: 154
S04_ATAN2_V GSL: 157
- S04_COS_INT** GSL: 160
S04_MOD_BES_I0 GSL: 164
S04_MOD_BES_I1 GSL: 168
S04_SIN_INT GSL: 172
S15_ERF GSL: 176
S15_ERFC GSL: 180
- Specifying a statistics file PDU: 44
- Specifying include directories PDU: 8
- Specifying the FIO coupler DET: 34
- sprintf** - function DVD: 89
- SQRT** FPL: 39
- /STACK** - (**DLINK**) PDV: 26
- Stack estimate PDU: 22
- Stack manipulation PDU: 53
 PDV: 74
- Stack navigation commands PDU: 54
 PDV: 75
- Stack size PDV: 26
- Stack space DVD: 31
- STACK** statement APL: 86, 97
- Stack trace command - **psam** PDU: 54
- STADDR** keyword DVD: 41
- Standard host program PDV: 54
- Standard map
dapf PDU: 25
DLINK PDV: 27
- Standard mappings PDT: 63 - 70
- start_sequence** routine GRA: 1, 15
 frequency parameter GRA: 15
- State log DVD: 99
 writing to DVD: 32
- Statement labels FPL: 6, 15
- Statement order FPL: 3
- /STATISTICS** - (**DOPTIONS**) PDV: 52
- Statistics file PDU: 44
 PDV: 52
- STATUS** field SMV: 49
- Status of:
 HCU task DET: 36
VRTX task DET: 36
- Status register DET: 33
- stco** DET: 42, 57
- STEP TYPE** field APL: 49
- stic** DET: 42, 57
- stii** DET: 42, 57

Combined Index - manual reference codes

APL APAL Language (man005.03)
 DET Engineering Test Software (man008.04)
 DSC DAP System Calls (man023.01)
 DSP Signal Processing Library (man013.03)
 DVD Writing Device Drivers (man016.02)

FPL FORTRAN-PLUS Language (man002.03)
 GRA Low Level Graphics Library (man017.04)
 GSL General Support Library (man010.02)
 IFP Introduction to FORTRAN-PLUS (man001.03)
 IPL Image Processing Library (man014.03)

PDT Parallel Data Transforms (man022.02)
 PDU Program Development under UNIX (man003.03)
 PDV Program Development under VAX/VMS (man004.03)
 SMV Systems Management under VAX/VMS (man020.01)
 TOV Technical Overview (man006.02)

STOP PDU: 52
PDV: 72
STOP (DAPMAN) PDV: 59
STOP (menu option) SMV: 30
STOP instructions PDT: 73
STOP statement FPL: 9, 120, 152
IFP: 55, 66, 80
Stop_graphics routine GRA: 11
Stop_sequence routine GRA: 16
Storage length FPL: 23, 24
Storage mode FPL: 97
IFP: 10, 71
 conversion **FPL:** 118
 DVD: 32
 conversion routines **IFP:** 73
 FPL: 54
Store
 code **DET:** 15 - 16, 43
 image **DET:** 25, 42
 memory map **DET:** 25
Store address APL: 37, 39, 72, 75
Store plane APL: 6, 30, 39, 48, 61, 65, 86, 172
TOV: 51 - 56
strcat - string concatenate function **DVD:** 94
strchr - string search function **DVD:** 94
strcmp - string compare function **DVD:** 94
strcpy - string copy function **DVD:** 94
String APL: 102
strlen - string length function **DVD:** 94
strncat - string concatenate function **DVD:** 94
strncmp - string compare function **DVD:** 94
strncpy - string copy function **DVD:** 94
strrchr - string search function **DVD:** 94
sub DET: 44, 57
Subroutine parameters
 iabs **DSC:** 11
 iattributes **DSC:** 16
 ibuf **DSC:** 6 - 7, 15 - 16
 icommand **DSC:** 16
 idatum **DSC:** 5
 idd **DSC:** 14 - 16
 ifail **DSC:** 4 - 8, 14 - 16
 ifd **DSC:** 4 - 8
 ioffset **DSC:** 5
 ioptions **DSC:** 13
 irun **DSC:** 11
 ivalues **DSC:** 16
 mode **DSC:** 3
 name+text **DSC:** 13
 zname **DSC:** 3
 numbytes **DSC:** 6 - 7, 15
 numsent **DSC:** 6 - 7
SUBROUTINE statement FPL: 11, 85, 148
Subroutine subprograms FPL: 2, 54, 85
Subroutines DVD: 15
 TOV: 34
Substitution APL: 106, 162
Substring substitution APL: 113, 114, 162
Subtest DET: 7
Subvariable FPL: 148
SUB_8 IPL: 38
SUM FPL: 48
SUMC FPL: 49
Summary of GRALIB routines GRA: 3
Summation of series - C06 GSL: 21 - 30
 C06_FFT_LV GSL: 26
 C06_FTT_ESS GSL: 22
SUMR FPL: 49
Sun error codes DSC: 19 - 20
Sun, connection to TOV: 5, 6, 8, 24
Suppressing comments PDV: 8, 98
Suppression of computational error interrupts FPL: 154
Suspect:
 array board **DET:** 95
 memory location **DET:** 95
 PE chip **DET:** 95
/SUSPEND (DAPMAN) PDV: 59
SUSPENDED - VRTX task DET: 36
Suspending a DAP process PDV: 59
sw DET: 38, 54
swab function DVD: 88
swapbits bit re-order function **DVD:** 96
Switch word DET: 35, 38
Symbolic names FPL: 15, 16, 32
Synchronous operation DVD: 3, 15, 25, 31

 Combined Index - manual reference codes

APL APAL Language (man005.03)
DET Engineering Test Software (man008.04)
DSC DAP System Calls (man023.01)
DSP Signal Processing Library (man013.03)
DVD Writing Device Drivers (man016.02)

FPL FORTRAN-PLUS Language (man002.03)
GRA Low Level Graphics Library (man017.04)
GSL General Support Library (man010.02)
IFP Introduction to FORTRAN-PLUS (man001.03)
IPL Image Processing Library (man014.03)

PDT Parallel Data Transforms (man022.02)
PDU Program Development under UNIX (man003.03)
PDV Program Development under VAX/VMS (man004.03)
SMV Systems Management under VAX/VMS (man020.01)
TOV Technical Overview (man006.02)

/SYNONYM - (DLIBRARY) PDV: 87
 Synonym APL: 22
 PDV: 87
 (daplib) PDU: 65
 Syntax APL: 161 - 174
SYSGEN commands
 SHOW/ADAPTER SMV: 4, 7
 SHOW/CONFIGURATION SMV: 8
 SHOW/UNIBUS SMV: 53
SYSGEN utility SMV: 4, 7 - 8, 19 - 20, 53
 running **SYSGEN** SMV: 4, 7, 8, 53
SYSTARTUP.COM SMV: 21
SYSTARTUP_V5.COM SMV: 21
SYSTEM ACCOUNTING FACILITIES SMV: 45
 DAP system log SMV: 45
 System calls DSC:
 TOV: 59 - 60
 cpu_intr_int DVD: 60
 release_block DVD: 61
 sc_gblock DVD: 81
 sc_tcreate DVD: 82
 sc_tdelete DVD: 83
 sc_tinquiry DVD: 84
 sc_tpriority DVD: 85
 sc_tresume DVD: 86
 sc_tsuspend DVD: 87
 sr_gblock DVD: 81
 s_blk_copy DVD: 62
 s_dapaddr DVD: 63
 s_display DVD: 64
 s_fever DVD: 65
 s_get_time DVD: 66
 s_hcu_reset DVD: 67
 s_hsleep DVD: 68
 s_hwakeup DVD: 69
 s_log_error DVD: 70
 s_print_error DVD: 70
 s_qaccept DVD: 75
 s_qclean DVD: 71
 s_qcreate DVD: 72
 s_qdelete DVD: 73
 s_qinquiry DVD: 74
 s_qpend DVD: 75
 s_qpost DVD: 76
 s_sio_getc DVD: 77

 s_sio_putc DVD: 77
 s_spl DVD: 78
 s_wait DVD: 80
 System configuration registers DET: 25
 System console DVD: 97
 output to, **printf** DVD: 89
 System error messages PDV: 153 - 156
 PDU: 121
 System limits PDV: 64
 System registers display and alteration DET: 31
 System Startup File SMV: 21
SYSTEM UTILITIES (DAP based) SMV: 29
 System variable APL: 15, 107, 162
s_blk_copy - system call DVD: 62
s_dapaddr DVD: 23, 32, 63
s_dapaddr - system call DVD: 63
s_display - system call DVD: 64
s_fever - system call DVD: 65
s_get_time - system call DVD: 66
s_hcu_reset - system call DVD: 67
s_hsleep DVD: 29
s_hsleep - system call DVD: 68
s_hwakeup DVD: 29
s_hwakeup - system call DVD: 69
s_log_error - system call DVD: 70
s_print_error - system call DVD: 70
s_qaccept - system call DVD: 75
s_qclean - system call DVD: 71
s_qcreate - system call DVD: 72
s_qdelete - system call DVD: 73
s_qinquiry - system call DVD: 74
s_qpend - system call DVD: 75
s_qpost DVD: 29, 76
s_qpost - system call DVD: 76
s_sio_getc - system call DVD: 77
s_sio_putc - system call DVD: 77
s_spl - system call DVD: 78
s_wait - system call DVD: 80

 Combined Index - manual reference codes

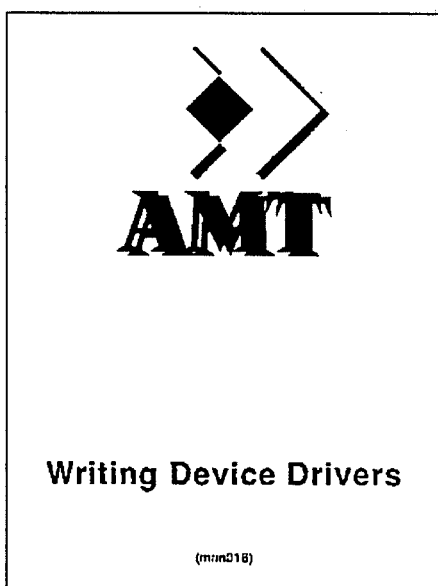
APL APL Language (man006.03)
DET Engineering Test Software (man008.04)
DSC DAP System Calls (man023.01)
DSP Signal Processing Library (man013.03)
DVD Writing Device Drivers (man016.02)

FPL FORTRAN-PLUS Language (man002.03)
GRA Low Level Graphics Library (man017.04)
GSL General Support Library (man010.02)
IFP Introduction to FORTRAN-PLUS (man001.03)
IPL Image Processing Library (man014.03)

PDT Parallel Data Transforms (man022.02)
PDU Program Development under UNIX (man003.03)
PDV Program Development under VAX/VMS (man004.03)
SMV Systems Management under VAX/VMS (man020.01)
TOV Technical Overview (man006.02)

T

- Tab characters **PDU**: 8, 72
 APAL preprocessor **PDV**: 106
 FORTRAN-PLUS preprocessor **PDV**: 15
- Tapered arithmetic FFT routines **TOV**: 79
- Task **DVD**: 9, 33 - 34
 change task priority - **sc_tpriority** **DVD**: 85
 create DAPOS task - **sc_tcreate** **DVD**: 82
 defining extra tasks **DVD**: 46
 delay task - **s_hsleep** **DVD**: 68
 delay task execution - **s_wait** **DVD**: 80
 delete a task - **sc_tdelete** **DVD**: 83
 get status of task - **sc_tinquiry** **DVD**: 84
 resume task execution - **sc_tresume** **DVD**: 86
 suspend task execution - **sc_tsuspend**
DVD: 87
 wake up sleeping task **DVD**: 69
- Tasks in DAPOS **DVD**: 33
- Terminal statement - DO statement **FPL**: 141
- Terminals **PDT**: 12
- Test element parameter **DET**: 37
- Test execution errors **DET**: 11
- Test organisation **DET**: 7
- TESTMAN** dump **SMV**: 40 - 41
- Text objects **FPL**: 19
- text** **DET**: 46, 57
- The engineering test macro environment **DET**: 39
- The test menu **DET**: 7
- Tiles **GRA**: 2
 order of **GRA**: 11
- TILES** parameter **GRA**: 4
 in a VAX/VMS environment **GRA**: 6, 8
- Time sharing **PDV**: 59 - 60
- /TIMESLICE** **PDV**: 59, 62 65
- Timeslice **PDV**: 60
- /TIMING - (DOPTIONS)** **PDV**: 47
- Timing facilities **DSC**: 11 - 12
 simulator **PDV**: 46 - 51
PDU: 40
- Timing of DAP programs **TOV**: 59
- Timing on the DAP hardware **PDU**: 40
- Timings **DVD**: 115
- TO** **PDT**: 22, 28, 47
- /TRACE - (DASSEMBLE)** **PDV**: 108
- /TRACE - (DFORTRAN)** **PDV**: 19
- TRACE** **IFP**: 55, 56, 91
TRACE levels **IFP**: 57
- Trace assembly control - **DASSEMBLE** **PDV**: 108
- Trace compilation control - **DFORTRAN** **PDV**: 19
- Trace execution control - **dapopt** **PDU**: 38
DOPTIONS **PDV**: 44
- Trace facility **GRA**: 25
- Trace items **APL**: 77, 79, 171
- TRACE** level number **APL**: 77
- TRACE** output:
ROWPACK format **APL**: 77, 79, 81
VERTICAL format **APL**: 77, 79, 81
WORDPACK format **APL**: 77, 79, 81, 82



TASKS keyword kernel configuration file **DVD**: 42

Technical Overview **TOV**:

Combined Index - manual reference codes

APL APAL Language (man005.03)
DET Engineering Test Software (man008.04)
DSC DAP System Calls (man023.01)
DSP Signal Processing Library (man013.03)
DVD Writing Device Drivers (man016.02)

FPL FORTRAN-PLUS Language (man002.03)
GRA Low Level Graphics Library (man017.04)
GSL General Support Library (man010.02)
IFP Introduction to FORTRAN-PLUS (man001.03)
IPL Image Processing Library (man014.03)

PDT Parallel Data Transforms (man022.02)
PDU Program Development under UNIX (man003.03)
PDV Program Development under VAX/VMS (man004.03)
SMV Systems Management under VAX/VMS (man020.01)
TOV Technical Overview (man006.02)

TRACE statement **APL:** 77, 171
 FPL: 9, 153

TRACER
 Real-Time Debugger for MC68020 Microprocessor
 DVD: 97

/TRACE_FILE - (DOPTIONS) **PDV:** 45

Tracing - in **PSAM** **PDV:** 72 - 73

Tracing **PDU:** 52, 53

APAL TRACE **PDU:** 82

FORTRAN-PLUS TRACE **PDU:** 19

Tracing facilities **APL:** 77 - 82
 TOV: 50

'**TRAIL DIAG** **APL:** 95

TRAIL_DIAG **FPL:** 162

TRAN **FPL:** 49

Transfer of control **APL:** 90

Transfer of control in **DO** loops **FPL:** 142

Transfer of data between host and DAP
 PDV: 33 - 34

trap **DET:** 12, 18, 54

Trouble Shooting **SMV:** 51 - 54

Turn-key operation **DVD:** 10

Turn_off_error_messages routine
 GRA: 3, 26

Turn_on_error_messages routine
 GRA: 3, 25

TWO_UNSIG **IPL:** 28

TYPE field **SMV:** 47

Type specification **IFP:** 7, 17, 67
 arrays **FPL:** 95
 functions **FPL:** 90
 initialising values **FPL:** 105
 variables **FPL:** 93, 94

Type statement **FPL:** 11, 94, 96

Types of device drivers **DVD:** 2, 25

Types of error **DET:** 10

Types of FORTRAN-PLUS objects **FPL:** 21
 IFP: 7, 11

Typical **dapet** diagnostics **DET:** 12

Typical macro **DET:** 48

 Combined Index - manual reference codes

APL APAL Language (man005.03)
DET Engineering Test Software (man008.04)
DSC DAP System Calls (man023.01)
DSP Signal Processing Library (man013.03)
DVD Writing Device Drivers (man016.02)

FPL FORTRAN-PLUS Language (man002.03)
GRA Low Level Graphics Library (man017.04)
GSL General Support Library (man010.02)
IFP Introduction to FORTRAN-PLUS (man001.03)
IPL Image Processing Library (man014.03)

PDT Parallel Data Transforms (man022.02)
PDU Program Development under UNIX (man003.03)
PDV Program Development under VAX/VMS (man004.03)
SMV Systems Management under VAX/VMS (man020.01)
TOV Technical Overview (man006.02)

U

'UD_BASE APL: 94
 UER - unsatisfied external references PDU: 68
 Unconditional transfers of control FPL: 137
 Unconstrained dimensions FPL: 96
 Underline character PDT: 11
 Unibus SMV: 2 - 3, 7 - 8, 10
 Unibus Adapter SMV: 7
 'UNIT_DIAG APL: 94
 UNIT_DIAG FPL: 162
 UNIX TOV: 49 - 50, 65 - 66
 9600 baud DAP-Sun link DET: 15
 auto macro DET: 47
 DAP system calls: error codes DSC: 19 - 20
 default file extension DET: 40, 42
 differences from VAX/VMS DSC: 4, 9
 DET: 3, 5, 10, 15,
 35, 40, 42, 47
 directory structure DVD: 44 - 45
 host error calls DSC: 19 - 20
 options in a **dapet** call DET: 15
 sockets DSC: 4
 Unprotected string APL: 102, 116
 Unsatisfied external references (UERS) PDV: 90
 UNSHUFFLE FPL: 163
 UNSIG_TWO IPL: 30
 UNTIL statement APL: 140, 141
 Use of absolute addresses DET: 30
 Use of procedures FPL: 89
 usend_reply DVD: 31, 34
 User addresses DSC: 17
 User argument DVD: 4
 User call errors PDV: 149 - 152
 USERDATA field SMV: 46 - 48
 User-written procedures FPL: 85
 IFP: 16, 65, 85
 User-defined interrupts PDU: 51, 52
 PDV: 71
 PAUSE PDU: 3, 51
 STOP PDU: 52

User-generated task
 HCU DET: 36
 VRTX DET: 35
 Uses of the simulator PDU: 47
 PDV: 54
 Using C Dsc: 9
 Using co-ordinates GRA: 1
 Utilities
 dapconfig DVD: 53
 dapmkhcu DVD: 54
 dapxa DVD: 68, 55
 dapxc DVD: 68, 56
 dapxl DVD: 68, 58
 dapxlib DVD: 68, 59
 Utilities (GSPLIB) - X05 GSL: 207 - 294
 X05_ALT_IV GSL: 209
 X05_CRINKLE GSL: 211
 X05_EAST_BOUNDARY GSL: 214
 X05_EXCH_P GSL: 232
 X05_E_MAX_PC GSL: 216
 X05_E_MAX_PR GSL: 218
 X05_E_MAX_VC GSL: 220
 X05_E_MAX_VR GSL: 222
 X05_E_MIN_PC GSL: 224
 X05_E_MIN_PR GSL: 226
 X05_E_MIN_VC GSL: 228
 X05_E_MIN_VR GSL: 230
 X05_GATHER_V_32 GSL: 235
 X05_I_MAX_PC GSL: 238
 X05_I_MAX_PR GSL: 240
 X05_I_MAX_VC GSL: 242
 X05_I_MAX_VR GSL: 244
 X05_I_MIN_PC GSL: 246
 X05_I_MIN_PR GSL: 248
 X05_I_MIN_VC GSL: 250
 X05_I_MIN_VR GSL: 252
 X05_LOG2 GSL: 254
 X05_LONG_INDEX GSL: 257
 X05_NORTH_BOUNDARY GSL: 259
 X05_PATTERN GSL: 261

Combined Index - manual reference codes

APL APAL Language (man005.03)
 DET Engineering Test Software (man008.04)
 DSC DAP System Calls (man023.01)
 DSP Signal Processing Library (man013.03)
 DVD Writing Device Drivers (man016.02)

FPL FORTRAN-PLUS Language (man002.03)
 GRA Low Level Graphics Library (man017.04)
 GSL General Support Library (man010.02)
 IFP Introduction to FORTRAN-PLUS (man001.03)
 IPL Image Processing Library (man014.03)

PDT Parallel Data Transforms (man022.02)
 PDU Program Development under UNIX (man003.03)
 PDV Program Development under VAX/VMS (man004.03)
 SMV Systems Management under VAX/VMS (man020.01)
 TOV Technical Overview (man006.02)

X05_SCATTER_V_32 GSL: 263
X05_SHLC_LV GSL: 266
X05_SHLP_LV GSL: 268
X05_SHORT_INDEX GSL: 270
X05_SHRC_LV GSL: 272
X05_SHRP_LV GSL: 274
X05_SOUTH_BOUNDARY GSL: 276
X05_STRETCH_4 GSL: 278
X05_STRETCH_8 GSL: 280
X05_STRETCH_N GSL: 282
X05_SUM_LEFT_I2 GSL: 284
X05_SUM_RIGHT_I2 GSL: 287
X05_UNCRINKLE GSL: 290
X05_WEST_BOUNDARY GSL: 293
 Utility subroutines FPL: 61
 IFP: 23
 TOV: 64

 Combined Index - manual reference codes

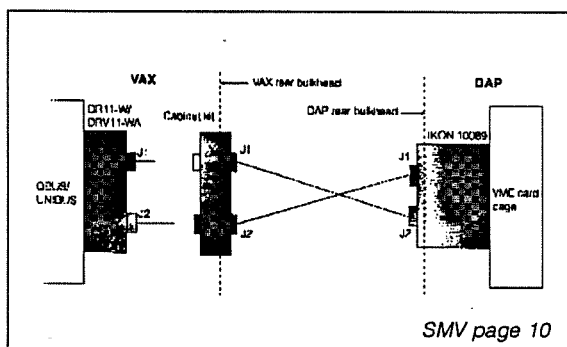
APL APAL Language (man005.03)
DET Engineering Test Software (man008.04)
DSC DAP System Calls (man023.01)
DSP Signal Processing Library (man013.03)
DVD Writing Device Drivers (man016.02)

FPL FORTRAN-PLUS Language (man002.03)
GRA Low Level Graphics Library (man017.04)
GSL General Support Library (man010.02)
IFP Introduction to FORTRAN-PLUS (man001.03)
IPL Image Processing Library (man014.03)

PDT Parallel Data Transforms (man022.02)
PDU Program Development under UNIX (man003.03)
PDV Program Development under VAX/VMS (man004.03)
SMV Systems Management under VAX/VMS (man020.01)
TOV Technical Overview (man006.02)

V

- V-flag **APL**: 11
TOV: 15, 57 - 58
 overflow **TOV**: 15, 57 - 58
- Values **APL**: 168
- Values, definition of **FPL**: 120
- VAR** statement **APL**: 105, 138, 164
- Variable mappings **PDT**: 25 - 29
 declaring **PDT**: 25 - 27
 remapping **PDT**: 28
 updating complete **PDT**: 31
 updating individual elements of **PDT**: 32
 updating using **CHANGE_MAP** statement **PDT**: 44
- Variable name **FPL**: 32
- Variable precision arithmetic - A03 **GSL**: 17 - 20
A03_ADD_PLANES_I1 **GSL**: 18
- Variable substitution **APL**: 105 107 136 162
- Variables **FPL**: 31
 declaring **FPL**: 93
 naming **FPL**: 32
 referencing **FPL**: 32
- VAX FORTRAN **PDV**: 1
- VAX hardware **SMV**: 1 - 3
- VAX 'C' Language interface **PDV**: 175
- VAX, connection to **TOV**: 5, 8, 24
- VAX/VMS
 9600 baud DAP-VAX link **DET**: 16
auto macro **DET**: 47
 DAP system calls: error codes **DSC**: 21 - 22
 default file-type **DET**: 5, 10, 35, 40, 42, 47
 differences from UNIX **DSC**: 4, 9
DET: 3, 5 - 6, 10, 16, 29, 35, 40, 42, 46
 host error codes **DSC**: 21 - 22
OPERator privilege **DET**: 4
 qualifiers in a **dapet** call **DET**: 15
WORLD privilege **DET**: 4
- VAXBI bus **SMV**: 2 - 5
- VAXBI node number **SMV**: 4
- VAXclusters (software installation on) **SMV**: 14
- vdel** **DET**: 36, 54
- VEC** **FPL**: 49
- Vector interrupts **DVD**: 12
- Vector add **APL**: 49 50 59 68
- Vector indexing **FPL**: 73
- VECTOR** keyword, kernel configuration file **DVD**: 41
- Vector mode **APL**: 6
FPL: 21
IFP: 7, 16
- Vector operations **FPL**: 154
- Vector storage mode **FPL**: 99
IFP: 71, 74
- Vector to host conversion **FPL**: 58
- Vector to matrix conversion **FPL**: 59
- Vector to scalar conversion **FPL**: 60
- Vector, one-dimensional array **TOV**: 27 - 29
- VERTICAL** format output from **TRACE** **APL**: 77, 79, 81, 82
- Vertical mapping, matrix **TOV**: 14
- Video interface, DAP - VO **TOV**: 5, 9, 22 - 23
- vinq** **DET**: 35 - 36, 54



Combined Index - manual reference codes

APL APAL Language (man005.03)
DET Engineering Test Software (man008.04)
DSC DAP System Calls (man023.01)
DSP Signal Processing Library (man013.03)
DVD Writing Device Drivers (man016.02)

FPL FORTRAN-PLUS Language (man002.03)
GRA Low Level Graphics Library (man017.04)
GSL General Support Library (man010.02)
IFP Introduction to FORTRAN-PLUS (man001.03)
IPL Image Processing Library (man014.03)

PDT Parallel Data Transforms (man022.02)
PDV Program Development under UNIX (man003.03)
PDV Program Development under VAX/VMS (man004.03)
SMV Systems Management under VAX/VMS (man020.01)
TOV Technical Overview (man006.02)

Visualization **TOV**:
 data visualization **TOV**: 5, 9, 22 - 23
 VME address **DVD**: 99
 VME bus **DVD**: 1
 TOV: 7, 8, 9, 24
 description **DVD**: 7
 memory map **DVD**: 8
 trapping errors **DVD**: 27
 VME Card Cage **DVD**: 1
 addressing **DVD**: 7
 VME interrupt handling **DVD**: 12
 VMS **TOV**: 49, 66
 VMS ACCOUNTING **SMV**: 46 - 49
VMSINSTAL **SMV**: 13, 15 - 16, 25
vpri **DET**: 37, 54
vres **DET**: 36, 54
VRTX **DVD**: 9
 DET: 35
VRTX real-time kernel **TOV**: 9
VRTX task number **DET**: 35
VRTX task state **DET**:
 DORMANT **DET**: 35 - 36
 RUNNING **DET**: 35 - 36
 SUSPENDED **DET**: 36
vrun **DET**: 35, 55
vstat **DET**: 55
vsus **DET**: 36, 55

 Combined Index - manual reference codes

APL APAL Language (man005.03)
DET Engineering Test Software (man008.04)
DSC DAP System Calls (man023.01)
DSP Signal Processing Library (man013.03)
DVD Writing Device Drivers (man016.02)

FPL FORTRAN-PLUS Language (man002.03)
GRA Low Level Graphics Library (man017.04)
GSL General Support Library (man010.02)
IFP Introduction to FORTRAN-PLUS (man001.03)
IPL Image Processing Library (man014.03)

PDT Parallel Data Transforms (man022.02)
PDU Program Development under UNIX (man003.03)
PDV Program Development under VAX/VMS (man004.03)
SMV Systems Management under VAX/VMS (man020.01)
TOV Technical Overview (man006.02)

W

W field, part of array memory address **TOV**: 16
wa **DET**: 29, 55
waf **DET**: 29, 55
Warnings **PDV**: 147,160
wax **DET**: 28, 55
wc **DET**: 29, 55
wcf **DET**: 29, 55
wcx **DET**: 28, 55
wedg **DET**: 33, 55
Welcoming message and screen format **DET**: 4
West neighbour **FPL**: 21
WHILE statement **APL**: 140, 141 167
wia **DET**: 27, 55
wic **DET**: 27, 55
wif **DET**: 27, 34, 55
wih **DET**: 27, 55
Wild card characters (PSAM) **PDV**: 75
wim **DET**: 27, 55
WIN1_In **DSP**: 46
WIN1_Rn **DSP**: 48
Window initialisation **DSP**: 50 - 55
 IN_WIN1_In **DSP**: 50
 IN_WIN1_Rn **DSP**: 53
Windowing **DSP**: 45 - 55
 WIN1_In **DSP**: 46
 WIN1_Rn **DSP**: 48
Windowing routines **TOV**: 80
WITH statement **PDT**: 37, 61
wir **DET**: 31, 55
Word address **APL**: 66
Word length (DAP) **DET**: 25
WORD statement **APL**: 29, 31, 112, 162
Word substitution **APL**: 112, 162
WORDPACK **APL**: 27, 29, 30, 169
Work area (for PE planes) **DET**: 28
Workspace **APL**: 86
WORLD privilege (VAX/VMS) **DET**: 4
wq **DET**: 29, 55
wqf **DET**: 29, 55
wqx **DET**: 28, 55
Write command:
 PE plane **DET**: 34
 plane **DET**: 29
 row **DET**: 28
WRITE primitive **DVD**: 4, 33
WRITE property **APL**: 27, 29, 90, 169
Write-and test-command **DET**: 43
Writing back argument values **IFP**: 66
Writing to a device **DSC**: 15
Writing to a file **DSC**: 7
wrtstc **DET**: 43, 57
wrtsti **DET**: 43, 58
ws **DET**: 29, 55
wsf **DET**: 29, 55
wsx **DET**: 28, 55

 Combined Index - manual reference codes

APL APAL Language (man005.03)
DET Engineering Test Software (man008.04)
DSC DAP System Calls (man023.01)
DSP Signal Processing Library (man013.03)
DVD Writing Device Drivers (man018.02)

FPL FORTRAN-PLUS Language (man002.03)
GRA Low Level Graphics Library (man017.04)
GSL General Support Library (man010.02)
IFP Introduction to FORTRAN-PLUS (man001.03)
IPL Image Processing Library (man014.03)

PDT Parallel Data Transforms (man022.02)
PDU Program Development under UNIX (man003.03)
PDV Program Development under VAX/VMS (man004.03)
SMV Systems Management under VAX/VMS (man020.01)
TOV Technical Overview (man006.02)

X

X01 - Mathematical constants *GSL*: 185 - 188
 X01 *_PI* *GSL*: 186
 X02 - Machine constants *GSL*: 189 - 206
 X02 *_EPSILON* *GSL*: 190
 X02 *_MAXDEC* *GSL*: 192
 X02 *_MAXINT* *GSL*: 194
 X02 *_MAXPW2* *GSL*: 196
 X02 *_MINPW2* *GSL*: 198
 X02 *_RMAX* *GSL*: 200
 X02 *_RMIN* *GSL*: 202
 X02 *_TOL* *GSL*: 204
 X05 - Other utilities (in *GSEPLIB*) *GSL*: 207 - 294
 X05 *_ALT_LV* *GSL*: 209
 X05 *_CRINKLE* *GSL*: 211
 X05 *_EAST_BOUNDARY* *GSL*: 214
 X05 *_EXCH_P* *GSL*: 232
 X05 *_E_MAX_PC* *GSL*: 216
 X05 *_E_MAX_PR* *GSL*: 218
 X05 *_E_MAX_VC* *GSL*: 220
 X05 *_E_MAX_VR* *GSL*: 222
 X05 *_E_MIN_PC* *GSL*: 224
 X05 *_E_MIN_PR* *GSL*: 226
 X05 *_E_MIN_VC* *GSL*: 228
 X05 *_E_MIN_VR* *GSL*: 230
 X05 *_GATHER_V_32* *GSL*: 235
 X05 *_I_MAX_PC* *GSL*: 238
 X05 *_I_MAX_PR* *GSL*: 240
 X05 *_I_MAX_VC* *GSL*: 242
 X05 *_I_MAX_VR* *GSL*: 244
 X05 *_I_MIN_PC* *GSL*: 246
 X05 *_I_MIN_PR* *GSL*: 248
 X05 *_I_MIN_VC* *GSL*: 250
 X05 *_I_MIN_VR* *GSL*: 252
 X05 *_LOG2* *GSL*: 254
 X05 *_LONG_INDEX* *GSL*: 257
 X05 *_NORTH_BOUNDARY* *GSL*: 259
 X05 *_PATTERN* *GSL*: 261
 X05 *_SCATTER_V_32* *GSL*: 263
 X05 *_SHLC_LV* *GSL*: 266
 X05 *_SHLP_LV* *GSL*: 268
 X05 *_SHORT_INDEX* *GSL*: 270
 X05 *_SHRC_LV* *GSL*: 272
 X05 *_SHRP_LV* *GSL*: 274
 X05 *_SOUTH_BOUNDARY* *GSL*: 276
 X05 *_STRETCH_4* *GSL*: 278
 X05 *_STRETCH_8* *GSL*: 280
 X05 *_STRETCH_N* *GSL*: 282
 X05 *_SUM_LEFT_I2* *GSL*: 284
 X05 *_SUM_RIGHT_I2* *GSL*: 287
 X05 *_UNCRINKLE* *GSL*: 290
 X05 *_WEST_BOUNDARY* *GSL*: 293
 XADRIVER *SMV*: 8
 xor *DET*: 44, 58

Combined Index - manual reference codes

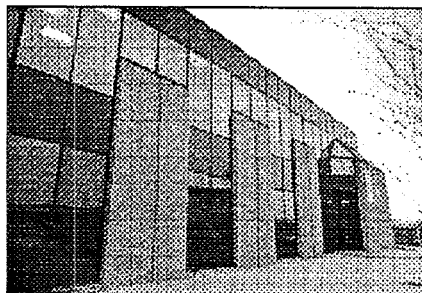
APL APAL Language (*man005.03*)
 DET Engineering Test Software (*man008.04*)
 DSC DAP System Calls (*man023.01*)
 DSP Signal Processing Library (*man013.03*)
 DVD Writing Device Drivers (*man016.02*)

FPL FORTRAN-PLUS Language (*man002.03*)
 GRA Low Level Graphics Library (*man017.04*)
 GSL General Support Library (*man010.02*)
 IFP Introduction to FORTRAN-PLUS (*man001.03*)
 IPL Image Processing Library (*man014.03*)

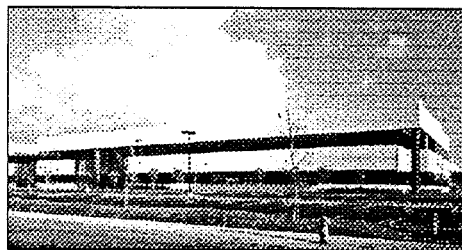
PDT Parallel Data Transforms (*man022.02*)
 PDU Program Development under UNIX (*man003.03*)
 PDV Program Development under VAX/VMS (*man004.03*)
 SMV Systems Management under VAX/VMS (*man020.01*)
 TOV Technical Overview (*man006.02*)

Z

ZERO_X_8 IPL: 130



AMT UK Headquarters - Reading



AMT US Headquarters - Irvine, CA

Combined Index - manual reference codes

APL APAL Language (man005.03)
 DET Engineering Test Software (man008.04)
 DSC DAP System Calls (man023.01)
 DSP Signal Processing Library (man013.03)
 DVD Writing Device Drivers (man016.02)

FPL FORTRAN-PLUS Language (man002.03)
 GRA Low Level Graphics Library (man017.04)
 GSL General Support Library (man010.02)
 IFP Introduction to FORTRAN-PLUS (man001.03)
 IPL Image Processing Library (man014.03)

PDT Parallel Data Transforms (man022.02)
 PDU Program Development under UNIX (man003.03)
 PDV Program Development under VAX/VMS (man004.03)
 SMV Systems Management under VAX/VMS (man020.01)
 TOV Technical Overview (man006.02)

Combined Index - manual reference codes

APL APAL Language (man005.03)
DET Engineering Test Software (man008.04)
DSC DAP System Calls (man023.01)
DSP Signal Processing Library (man013.03)
DVD Writing Device Drivers (man016.02)

FPL FORTRAN-PLUS Language (man002.03)
GRA Low Level Graphics Library (man017.04)
GSL General Support Library (man010.02)
IFP Introduction to FORTRAN-PLUS (man001.03)
IPL Image Processing Library (man014.03)

PDT Parallel Data Transforms (man022.02)
PDU Program Development under UNIX (man003.03)
PDV Program Development under VAX/VMS (man004.03)
SMV Systems Management under VAX/VMS (man020.01)
TOV Technical Overview (man006.02)

Reader comment form



Any comments you care to make, whether reporting bugs in the manual or making more general comment, about this or any AMT publications will help us improve their quality and usefulness. To report bugs, if you have the time, the ideal way from our point of view is to send us a photo-copy of the relevant page, with the bug marked on it. If you are in the UK, please use our FREEPOST address to send us the copy.

If you also can spare the time to fill in the mini-questionnaire below that would be doubly useful to us. To send us this form, please fold it as indicated, and post it – postage is pre-paid for the UK.

Comments

Title of publication: **Combined Index of AMT technical manuals** (man027.01) / other – please specify:

My name and job title:

My department:

My company:

My company address:

My telephone number – country:

number:

I used the publication:

- As an introduction to the subject
- To teach myself
- To teach others
- As a reference manual
- Other – please specify

I found the contents:

	True	Partly true	Not true
Helpful	<input type="checkbox"/>	<input type="checkbox"/>	<input type="checkbox"/>
Accurate	<input type="checkbox"/>	<input type="checkbox"/>	<input type="checkbox"/>
Written clearly	<input type="checkbox"/>	<input type="checkbox"/>	<input type="checkbox"/>
Well illustrated	<input type="checkbox"/>	<input type="checkbox"/>	<input type="checkbox"/>
Well indexed	<input type="checkbox"/>	<input type="checkbox"/>	<input type="checkbox"/>
Other – please specify	<input type="checkbox"/>	<input type="checkbox"/>	<input type="checkbox"/>

Thank you for your help.

23 May 89

Second fold



First fold



Third fold



No postage needed for posting in the UK.
If posting outside UK, please stick stamps to normal value.

Publications Manager
Active Memory Technology Ltd
FREEPOST (RG 1436)
Reading
Berkshire RG6 1BR
United Kingdom

Fourth fold



Second fold



First fold



Tuck into third fold





