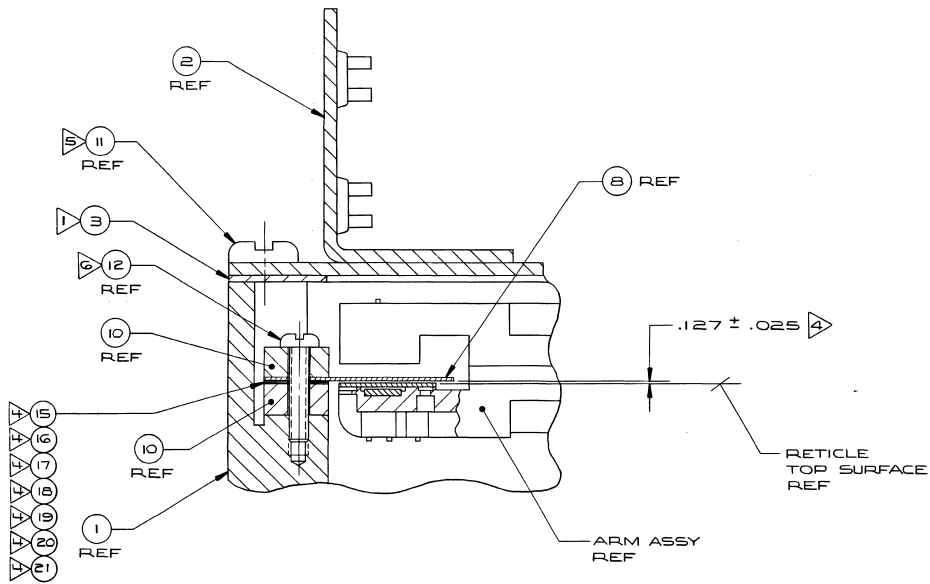
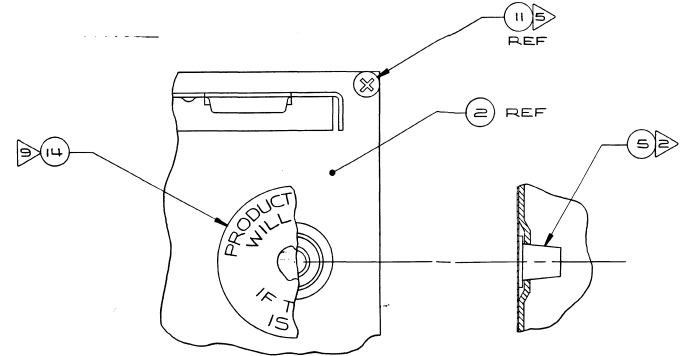


NOTE: UNLESS OTHERWISE SPECIFIED

REV	ZONE	ECO #	REVISION	APPD
			SEE SHEET 1	2/8



SECTION A-A  
ROTATED 90°CCW  
SCALE: 5X



VIEW B-B  
SCALE: 2X

METRIC <small>SCALE OF DIMENSIONS</small> <small>1:1</small>		apple computer inc.	
<small>NOTICE OF PROPRIETARY PROPERTY</small> <small>THE INFORMATION CONTAINED HEREIN IS THE PROPRIETARY</small> <small>PROPERTY OF APPLE COMPUTER, INC. THE REPRODUCER</small> <small>HEREBY AGREES TO BE BOUND BY THE FOLLOWING TERMS:</small> <small>1. THIS INFORMATION IS TO BE KEPT IN STRICT CONFIDENCE</small> <small>2. IT IS NOT TO BE REPRODUCED OR COPIED IN ANY MANNER</small> <small>3. IT IS NOT TO BE USED FOR ANY PURPOSE OTHER THAN THAT FOR WHICH IT WAS</small> <small>4. IT IS NOT TO BE DISCLOSED TO ANY OTHER PARTY WITHOUT THE WRITTEN</small> <small>5. IT IS NOT TO BE USED FOR ANY PURPOSE OTHER THAN THAT FOR WHICH IT WAS</small>		<small>DATE</small> NOTED <small>BY</small> D <small>REV</small> 2/8 <small>APPD</small> 2/8	
<small>DESCRIPTION</small> ASSY, HEAD/DISK, WIDGET		<small>REV</small> 2/8 <small>APPD</small> 2/8 <small>DATE</small> 2/8 <small>BY</small> D <small>REV</small> 2/8 <small>APPD</small> 2/8	
<small>REV</small> 2/8 <small>APPD</small> 2/8 <small>DATE</small> 2/8 <small>BY</small> D <small>REV</small> 2/8 <small>APPD</small> 2/8		<small>REV</small> 2/8 <small>APPD</small> 2/8 <small>DATE</small> 2/8 <small>BY</small> D <small>REV</small> 2/8 <small>APPD</small> 2/8	

677-6000-A 2/8