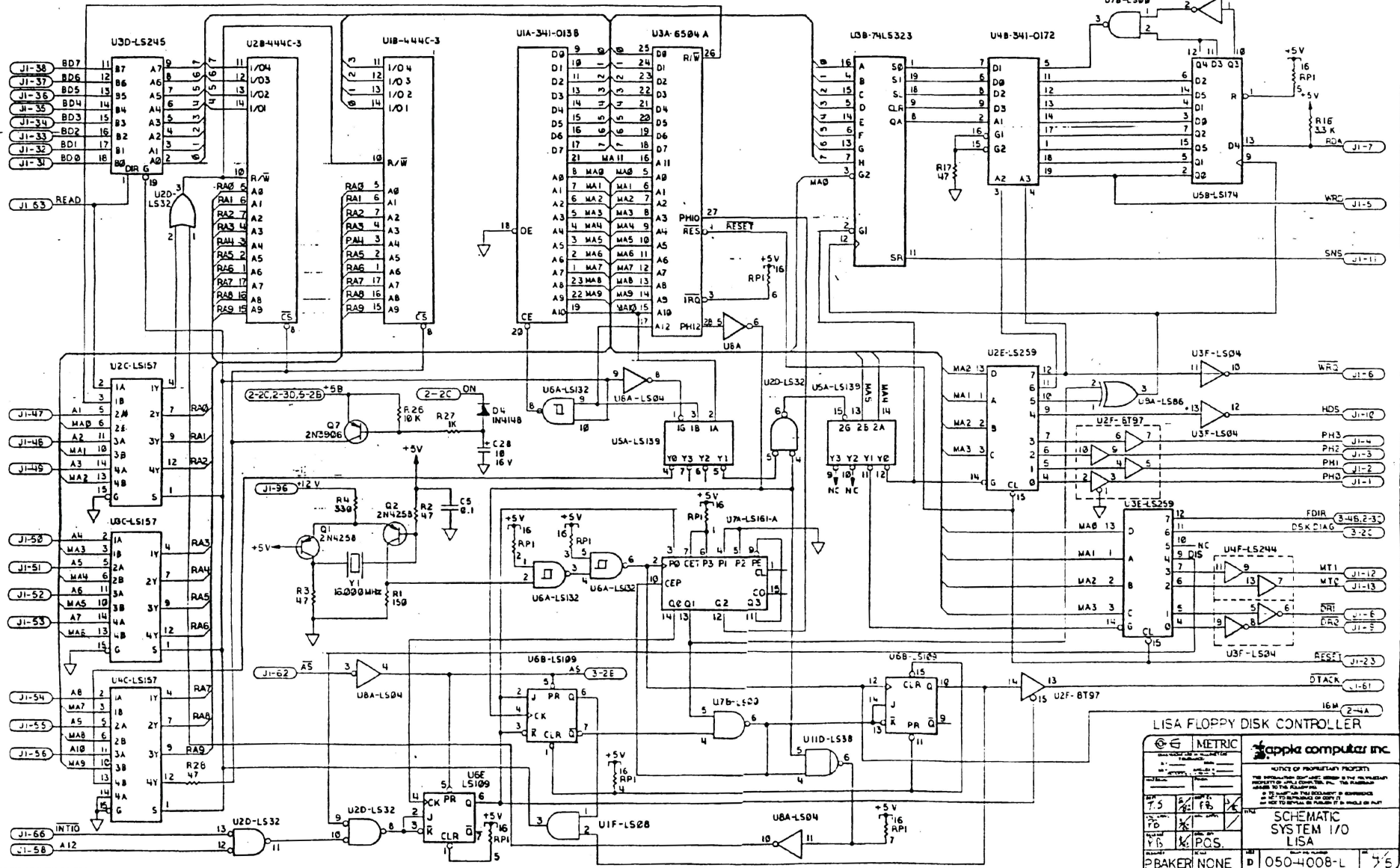


NOTE: UNLESS OTHERWISE SPECIFIED

SEE SH 1



**LISA FLOPPY DISK CONTROLLER**

DATE	7/5	BY	W	CHK	
REV	7/0	BY	K	CHK	
DATE	7/6	BY	K	CHK	
REV	7/6	BY	K	CHK	
DATE	7/6	BY	K	CHK	
REV	7/6	BY	K	CHK	

**METRIC** **cappla computer inc.**

WORK OF PROPRIETARY PROPERTY

THIS INFORMATION IS NOT TO BE RELEASED OR REPRODUCED WITHOUT THE WRITTEN PERMISSION OF METRIC COMPUTER INC.

ALL RIGHTS RESERVED. NO PART OF THIS PUBLICATION MAY BE REPRODUCED OR TRANSMITTED IN ANY FORM OR BY ANY MEANS, ELECTRONIC OR MECHANICAL, INCLUDING PHOTOCOPYING, RECORDING, OR BY ANY INFORMATION STORAGE AND RETRIEVAL SYSTEM.

**SCHEMATIC SYSTEM I/O LISA**

DATE: 7/5  
BY: W  
CHK: K  
REV: 7/0  
BY: K  
CHK: K  
DATE: 7/6  
BY: K  
CHK: K  
REV: 7/6  
BY: K  
CHK: K

P:BAKER NONE ID: 050-4008-L 7/5