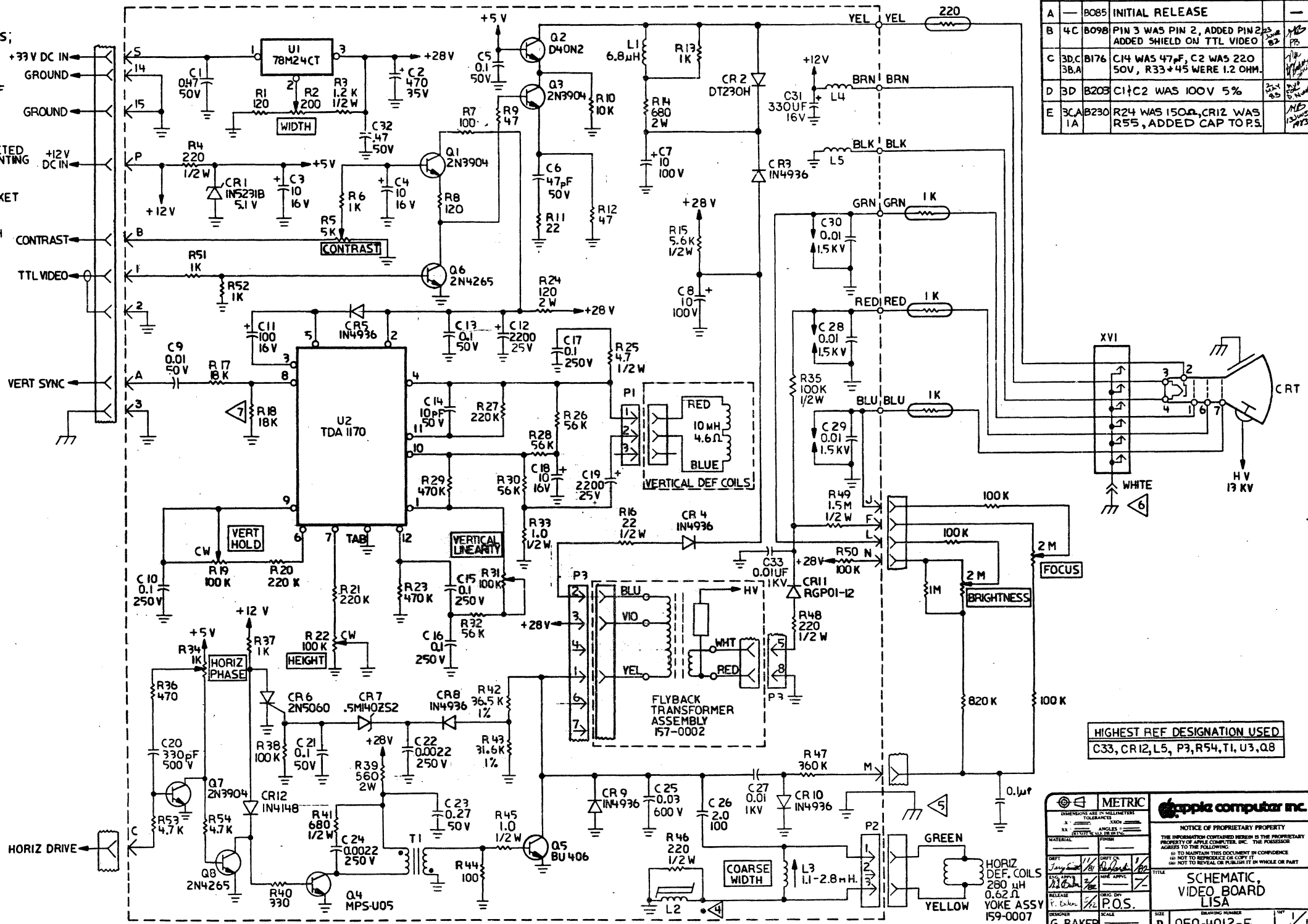


NOTE: UNLESS OTHERWISE SPECIFIED

1. RESISTOR VALUES ARE IN OHMS; 1/4 WATTS ± 5%.
2. ALL CAPACITORS ARE IN MICROFARADS.
3. ALL COMPONENTS SHOWN OFF THE BOARD ARE FOR REF ONLY. POLARITY DOT ON LINEARITY COIL.
4. PC BOARD GROUND CONNECTED TO CHASSIS GROUND BY MOUNTING SCREWS.
5. CRT EXTERNAL CONDUCTIVE COATING AND ARC-GAP SOCKET ARE GROUNDED TO CHASSIS FRAME.
6. RESISTOR R18 NOT USED WITH TDA 1170 VERTICAL IC.



REV	ZONE	ECO #	REVISION	DATE	APPD
A		8085	INITIAL RELEASE		
B	4C	8098	PIN 3 WAS PIN 2, ADDED PIN 23, ADDED SHIELD ON TTL VIDEO	12/82	MS/PS
C	3D,C	8176	C14 WAS 47µF, C2 WAS 220 50V, R33+45 WERE 1.2 OHM.	1/18	MS/PS
D	3D	8203	C1+C2 WAS 100V 5%	2/11	MS/PS
E	3CA	8230	R24 WAS 150Ω, CR12 WAS R55, ADDED CAP TO P.5.	12/82	MS/PS

HIGHEST REF DESIGNATION USED  
C33, CR12, L5, P3, R54, T1, U3, Q8

<p>NOTICE OF PROPRIETARY PROPERTY THE INFORMATION CONTAINED HEREIN IS THE PROPRIETARY PROPERTY OF APPLE COMPUTER, INC. THE POSSESSOR AGREES TO THE FOLLOWING: (i) TO MAINTAIN THIS DOCUMENT IN CONFIDENCE (ii) NOT TO REPRODUCE OR COPY IT (iii) NOT TO REVEAL OR PUBLISH IT IN WHOLE OR PART</p>			
<p>DATE: 12/82 DRAWN BY: P. Baker CHECKED BY: P. Baker</p>		<p>TITLE: SCHEMATIC, VIDEO BOARD LISA DRAWING NUMBER: 050-4012-E SCALE: 1/1</p>	