

B 9480/81-12
DISK CARTRIDGE DRIVE

ILLUSTRATED
PARTS
CATALOG

THIS MANUAL REPLACES ALL PREVIOUS ISSUES OF FORM 1053436

Burroughs 
FIELD ENGINEERING

COPYRIGHT © 1977, BURROUGHS MACHINES LIMITED, Hounslow, England
COPYRIGHT © 1977, BURROUGHS CORPORATION, Detroit, Michigan, 48232

Burroughs believes that the information described in this manual is accurate and reliable, and much care has been taken in its preparation. However, no responsibility, financial or otherwise, is accepted for any consequences arising out of the use of this material. The information contained herein is subject to change. Revisions may be issued to advise of such changes and/or additions.

✓CHANGES OR ADDITIONS

On "Revised" pages, the check mark (✓) shown to the left of items or subject titles indicates changes or additions since last issue.

Correspondence regarding this document should be forwarded using the Remarks Form at the back of the manual, or may be addressed directly to Technical Documentation Department, International Technical Information Organization, Burroughs Machines Limited, Cumbernauld, Glasgow, Scotland G68 0BN

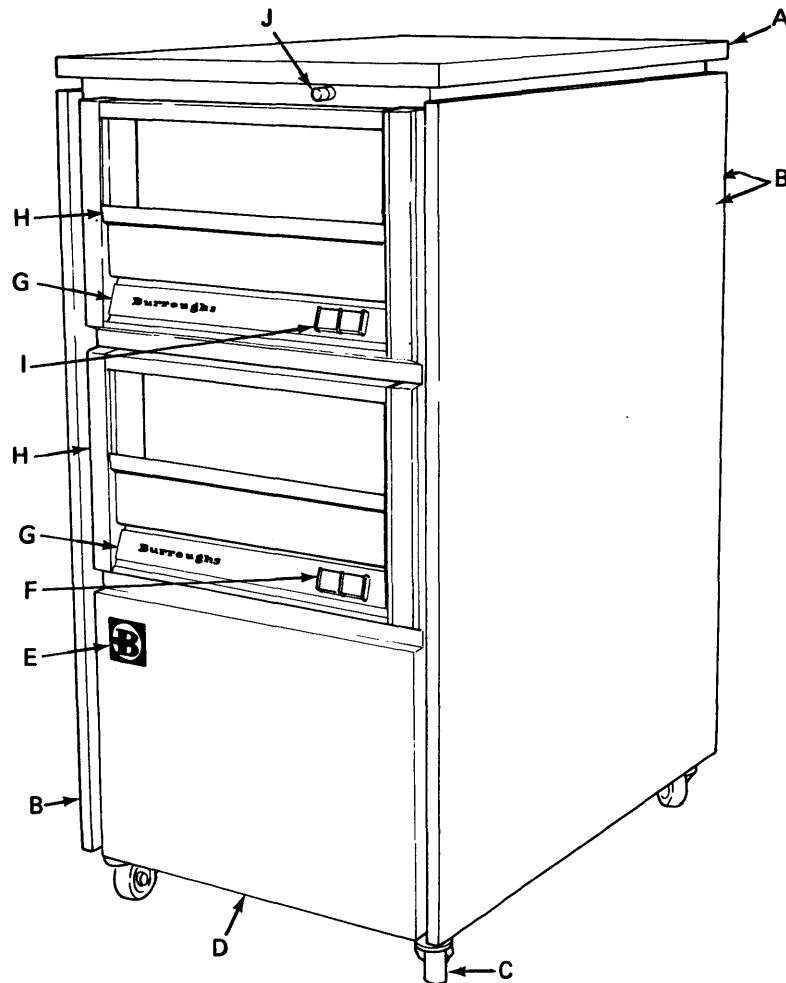
LIST OF EFFECTIVE PAGES

Page	Issue
Title	Original
ii	Original
iii	Original
iv	Blank
1-1 thru 1-23	Original
1-24	Blank

INDEX

Title	Plate No.	Page No.
Cabinet Frame and Panels Including Door Open Solenoid . .	2	1-2
Cabinet Panels and Switches	1	1-1
Carriage Assembly	12	1-13
Cartridge Receiver Assembly	11	1-12
Common Electronics Module PCB	18	1-19
Common Electrical Parts	21	1-22
Disk Drive, Topside	10	1-10
Disk Drive, Underside	8	1-7
Filter Assembly	5	1-4
Glenrothes Clean Air Unit	7	1-6
PCB Fixtures	13	1-14
Power Amplifier Module PCB	16	1-17
Power Supply Assembly	4	1-3
Power Supply PCB	19	1-20
Read/Write Amplifier Module PCB	20	1-21
Receiver Interlock Solenoid Assembly	9	1-9
Servo Control Module 1 PCB	14	1-15
Servo Control Module 2 PCB	15	1-16
Switch Panel Assembly	3	1-2
Temperature Compensation Module PCB (9481 only)	17	1-18
"Westlake Style" Clean Air Unit	6	1-5

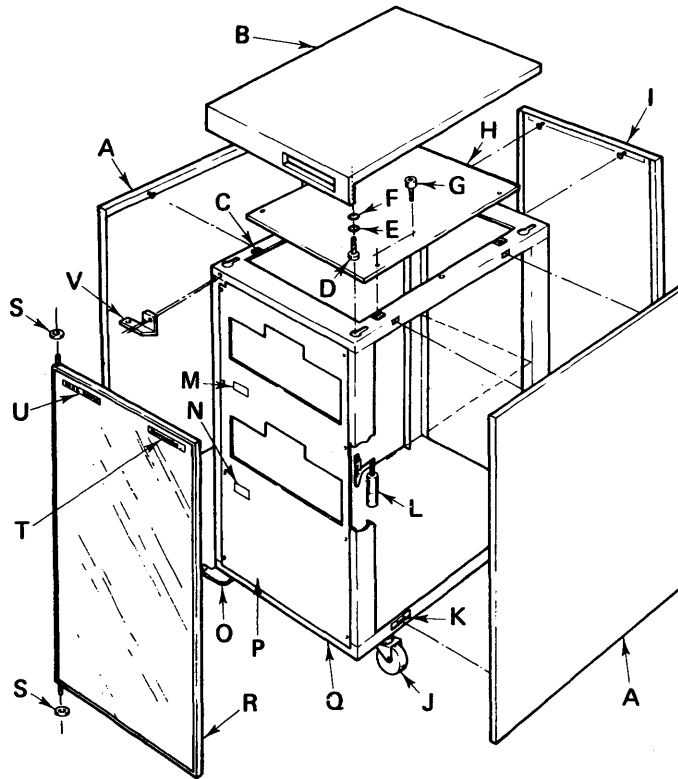
CABINET PANELS AND SWITCHES (PLATE 1)



PART NUMBERS (Plate 1)

A	1446 5959	cabinet top, use:- 1447 0256 screw (slotted pan head) 1446 6148 top cover latching tab, use:- 1447 0314 screw 1447 0439 lockwasher	F	1446 6106	complete switch light assembly, includes: 1446 8581 switch (run/stop) 1446 8599 switch (write/enable) 1446 6080 lens cap (amber) 1446 5314 lens cap (green/red) 1446 8482 lamp
B	1446 5926	side panel		1446 9720	connector, use:- 1446 8698 contact pin (male)
	1446 5934	back panel (before serial A1077)	G	1446 5835	switch plate (2 position)
	1447 1114	back panel (after serial A1076) for side and back panels, use:- 1447 1569 ball stud 1447 0009 washer 1256 7442 lockwasher 1256 5248 nut	H	1446 6122	front face assembly includes: 1446 6114 door assembly 1446 5793 hinge bracket 1446 8714 spring 1447 0140 screw 1256 7442 lockwasher 1447 0009 washer 1446 6874 foam tape (1 1/2" wide)
C	1470 6980	caster	I	1446 6098	complete switch light assembly, refer to item F for individual parts
D	1446 6684	front panel (single)	J	1447 3052	ON/OFF switch, use:- 1446 9803 cable assembly
	1446 5991	front panel (dual)			
E	1913 1812	medallion, use:- 1107 1321 medallion plate 1907 7684 stud clip			

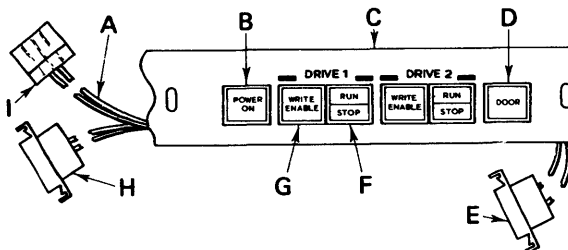
CABINET FRAME AND PANELS INCLUDING DOOR OPEN SOLENOID (PLATE 2)



PART NUMBERS (Plate 2)

A	1448 8761	side panel	O	2155 5404	lower hinge, use:- 1447 0207 screw 1256 7467 lockwasher 1447 0025 washer
B	1448 8852	top cover	P	2155 3557	modesty panel
C	1447 0454	spring nut	Q	1880 5580	cabinet frame assembly
D	1105 8054	screw nut	R	2155 3318	front panel assembly
E	1256 7467	lockwasher	S	1449 0775	washer
F	1447 0025	washer	T	2158 9940	decals "Burroughs"
G	1447 1304	screw	U	2158 9932	decals "Disc Drive"
H	2155 3532	top cover plate	V	1880 6208	upper hinge, use:- 2150 6803 screw 1256 7467 lockwasher 1447 0025 washer
I	2158 9908	rear panel		1880 4880	slider assembly pair (not illustrated)
J	1470 6980	castor			
K	1448 8878	latch, use:- 2150 6837 screw			
L	1880 2801	solenoid and lever assembly			
M	2159 0237	lens assembly "Drive 1"			
N	2159 0245	lens assembly "Drive 2"			

SWITCH PANEL ASSEMBLY (PLATE 3)



PART NUMBERS (Plate 3)

	1880 5515	complete switch panel assembly	F	2155 2195	switch and indicator assembly "Run/Stop"
A	1881 5457	switch panel harness	G	2155 2179	switch and indicator assembly "Write/Enable"
B	2155 6451	switch and indicator assembly "Power On"	H	-----	connector receptable, refer to "Common Electrical Parts"
C	2158 9916	mounting panel only	I	-----	connector plug, refer to "Common Electrical Parts"
D	2155 2161	switch and indicator assembly "Door"			
E	-----	connector plug, refer to "Common Electrical Parts"			

POWER SUPPLY ASSEMBLY (PLATE 4)

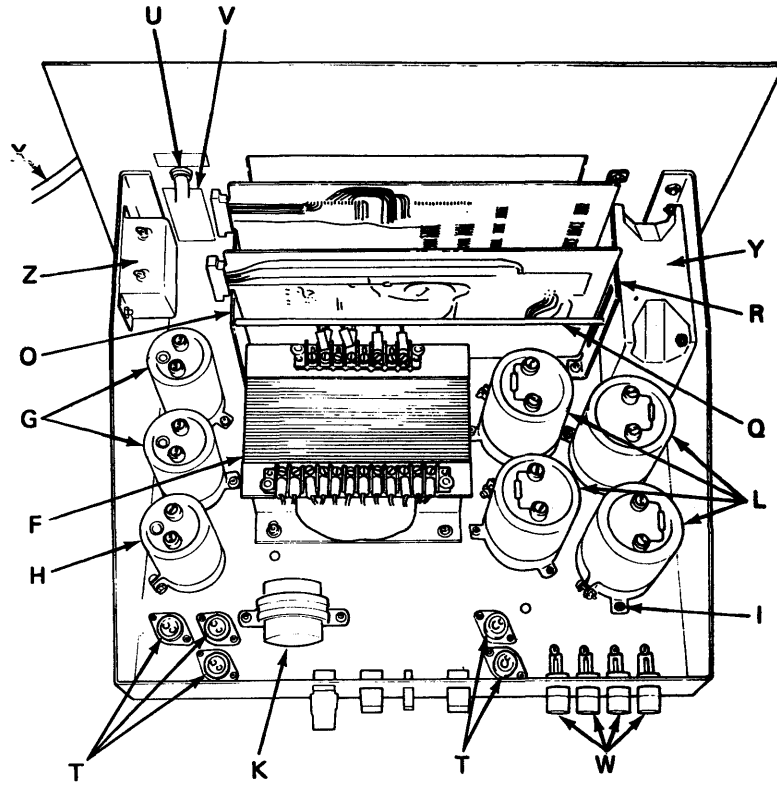


PLATE 4-1. UNITS BEFORE S/N 10429 (9480) OR 20772 (9481)

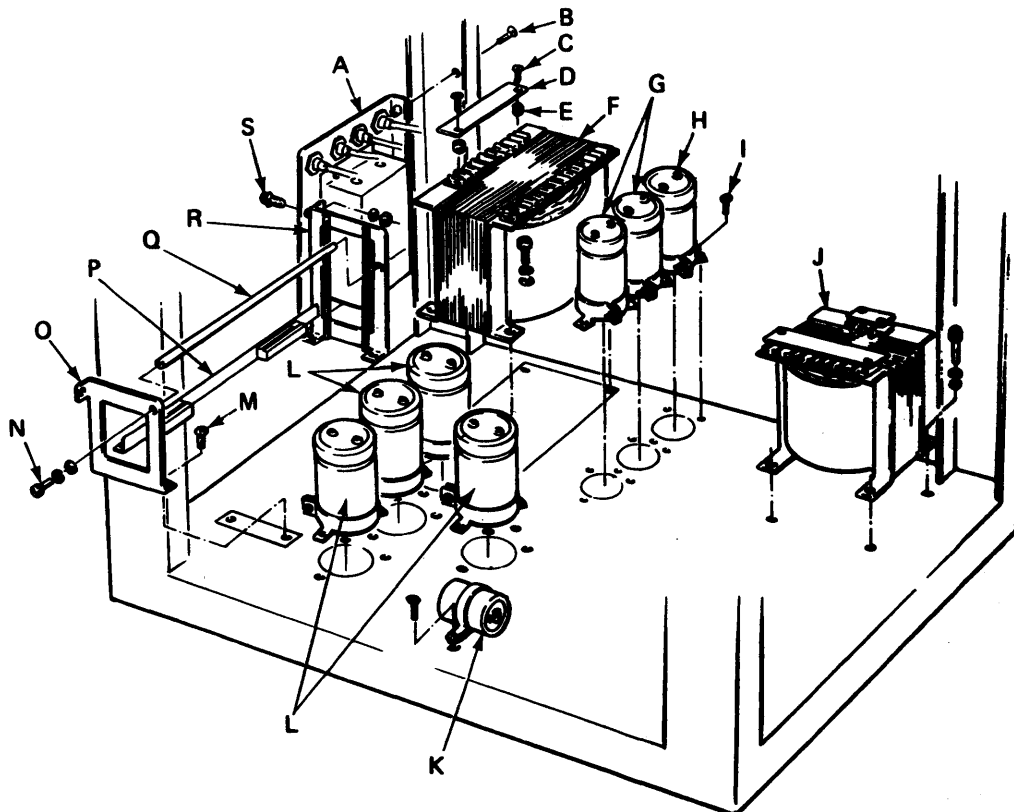


PLATE 4-2. UNITS AFTER S/N 10429 (9480) OR 20772 (9481)

PART NUMBERS (Plate 4)

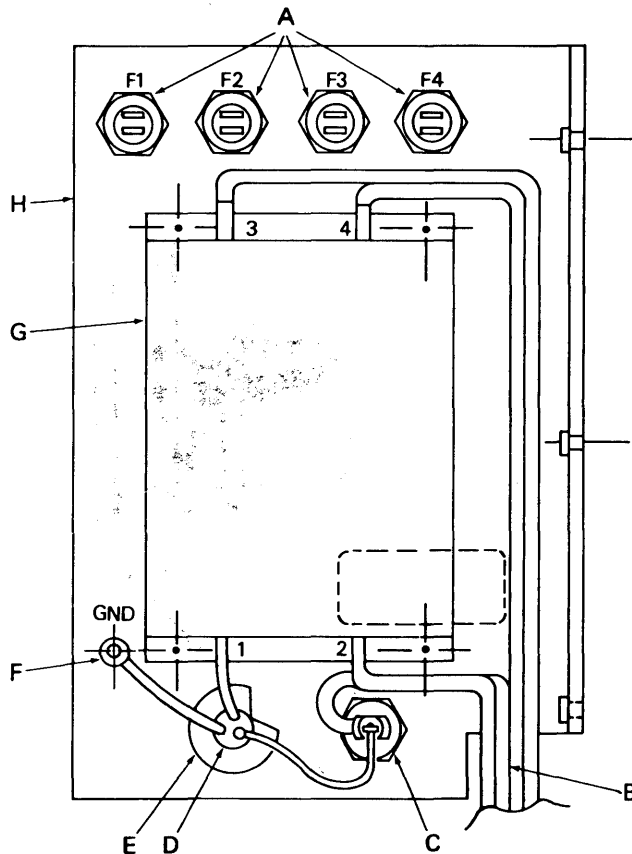
A	-----	refer to "FILTER ASSEMBLY"	K	1880 7255	battery, use:-
B	1257 2673	screw			1447 0362 clip
C	1256 0843	screw			1126 2615 screw
D	2008 3309	cover	L	1446 7591	capacitor 21.5K μ F 40V, use:-
E	1875 9944	standoff			2300 3965 clamp
F	1446 5603	power transformer, use:-			1105 7957 screw
		1447 0207 screw			1447 0009 washer
		1447 0025 washer			1257 4125 nut
		1256 7467 lockwasher	M	1126 2615	screw
G	1447 9075	capacitor 20K μ F 40V, use:-	N	1105 7932	screw, use:-
		2300 3957 clamp			1447 0009 washer
		1105 7957 screw			1256 7442 lockwasher
		1447 0009 washer	O	1446 6056	PCB support bracket, left
		1257 4125 nut	P	1447 0652	PCB support
H	1446 7583	capacitor 31K μ F 15V, use:-	Q	1447 0462	support rod
		clamp hardware as item G	R	1446 6007	PCB support bracket, right
I	1126 2615	screw	S	1105 7940	screw, use:-
J	1446 6551	international transformer			1447 0009 washer
		(50Hz units only), use:-			1257 4125 nut
		1447 0207 screw	T	1447 1106	bridge rectifier VT 200T
		1256 7467 lockwasher			(not illustrated)
		1447 0025 washer			

PARTS USED IN PLATE 4-1 ONLY:-

U	1876 7186	strain relief bushing	X	1879 7522	AC power cable
V	1446 8490	fuseholder, use:-	Y	1880 0367	fan
		1102 7950 fuse, 10A	Z	-----	obsolete, use:-
W	2473 0152	fuseholder, use:-			1880 3865 R.F. filter kit
		1343 1028 fuse, 4A			

FILTER ASSEMBLY (PLATE 5)

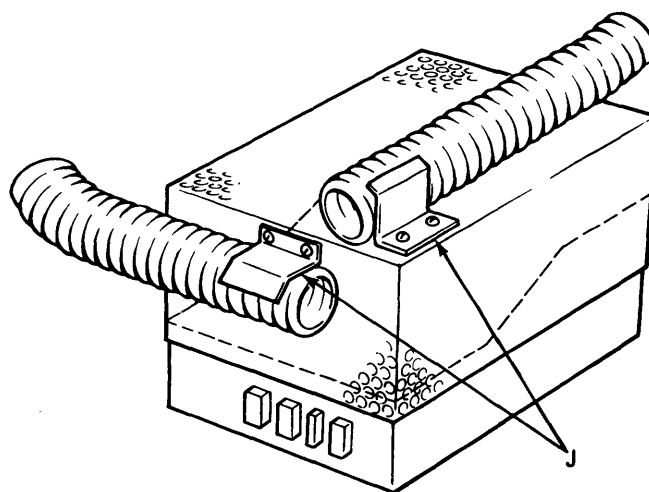
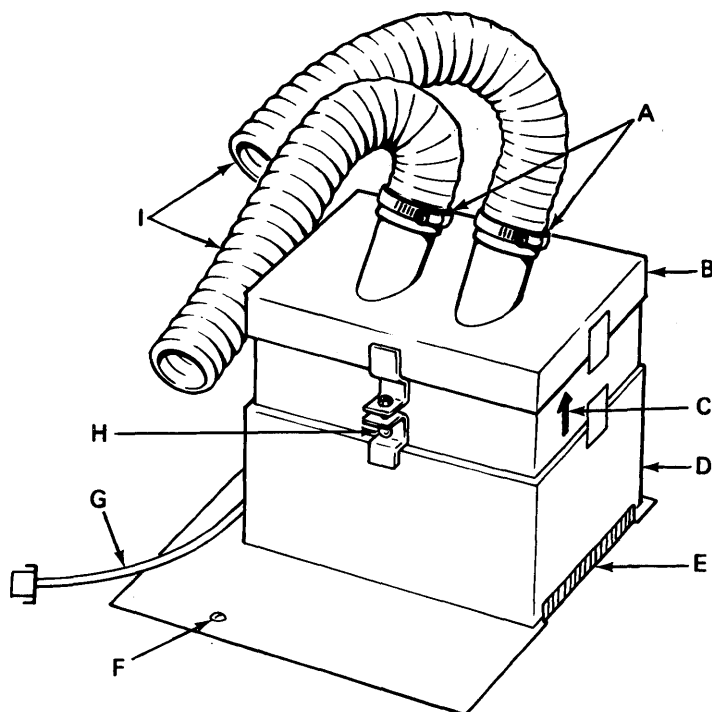
(UNITS AFTER SERIAL NUMBER 10429 (9480-12) OR 20772 (9481-12))



PART NUMBERS (Plate 5)

A	2473 0152	fuse holder, use:-			
		1328 1028 fuse 4A			
B	1880 5507	AC power harness			
C	1446 8490	fuse holder, use:-			
		1102 7950 fuse 10A			
D	1879 7522	AC power cable			
E	1876 7186	strain relief bushing			
F	-----	refer to item "G"			
G	1880 9913	R.F. line filter, use:-			
		1105 7940 screw			} also use for item 'F'
		1256 8010 washer			
		1257 4125 nut			
H	1880 5432	bracket			

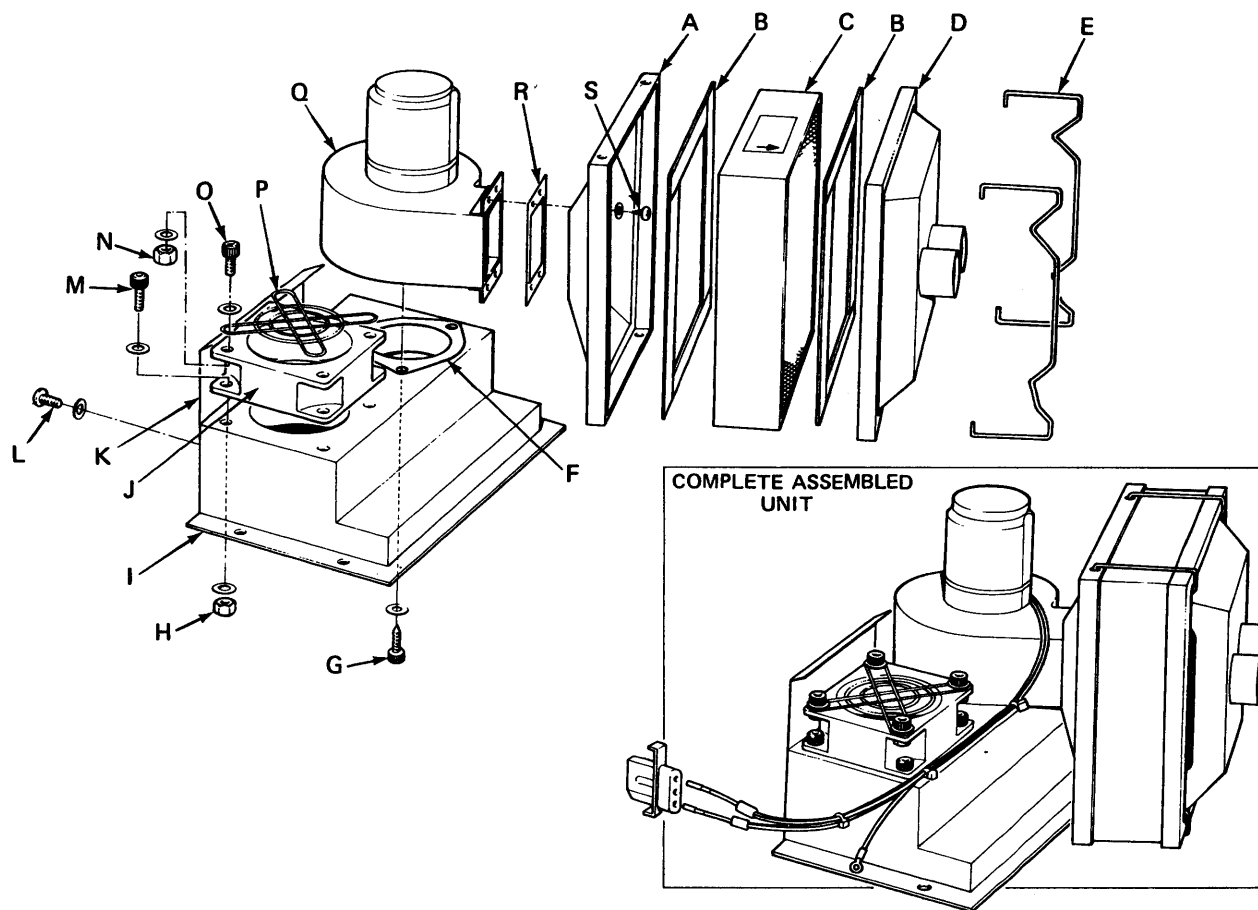
"WESTLAKE STYLE" CLEAN AIR UNIT (PLATE 6)



PART NUMBERS (Plate 6)

A	1634 8252	hose clamp
B	2155 5487	plenum
C	2155 5495	absolute filter
D	2155 5446	intake, use:- 1521 8548 axial fan
E	2155 6436	coarse filter
F	1105 7940	screw, use:- 1256 7442 lockwasher 1447 0009 washer
G	2155 5511	harness
H	2155 5743	thumbscrew
I	1880 6596	hose (40')
J	1878 5055	bracket, use:- 1878 9214 screw

GLENROTHES CLEAN AIR PACK (PLATE 7)



PART NUMBERS (Plate 7)

A	1880 2637	filter inlet	L	1126 2615	screw, use:- 1256 8010 washer
B	2157 8489	gasket	M	1105 7973	screw, use:- 1256 8010 washer
C	2155 5495	absolute filter	N	1257 4125	nut, use:- 1256 8010 washer
D	1880 2645	plenum	O	1105 7957	screw, use:- 1256 8010 washer
E	1880 2652	clip	P	1635 2353	fan guard
F	1880 7941	gasket	Q	1880 3809	blower
G	1881 7007	screw, use:- 1256 8036 washer.	R	1880 3262	gasket
H	1257 4125	nut, use:- 1256 8010 washer	S	1880 3247	screw, use:- 1256 8036 washer
I	1881 2164	intake, use:- 1446 6460 coarse filter			
J	1880 0367	fan			
K	1880 3221	deflector plate			

DISK DRIVE, UNDERSIDE (PLATE 8)

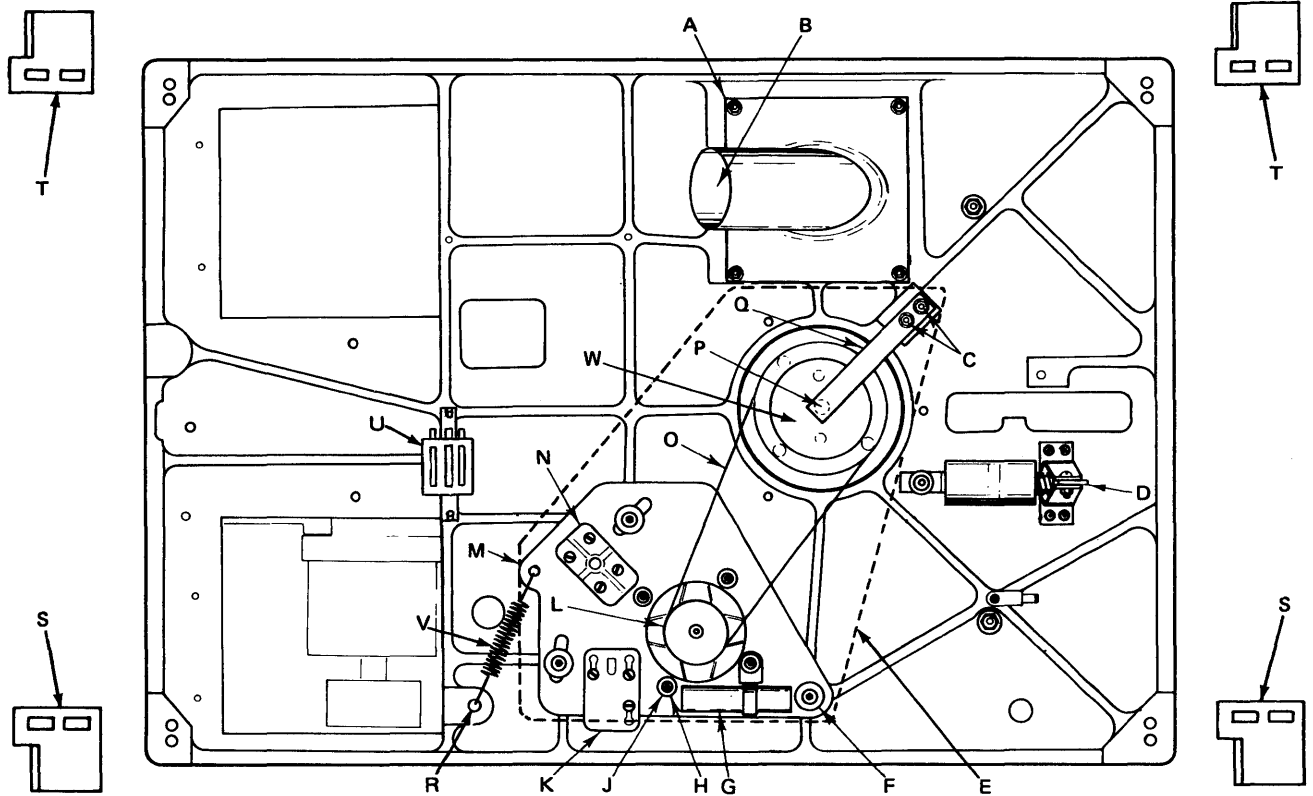


PLATE 8-1. UNITS AFTER S/N 10429 (9480) OR 20772 (9481)

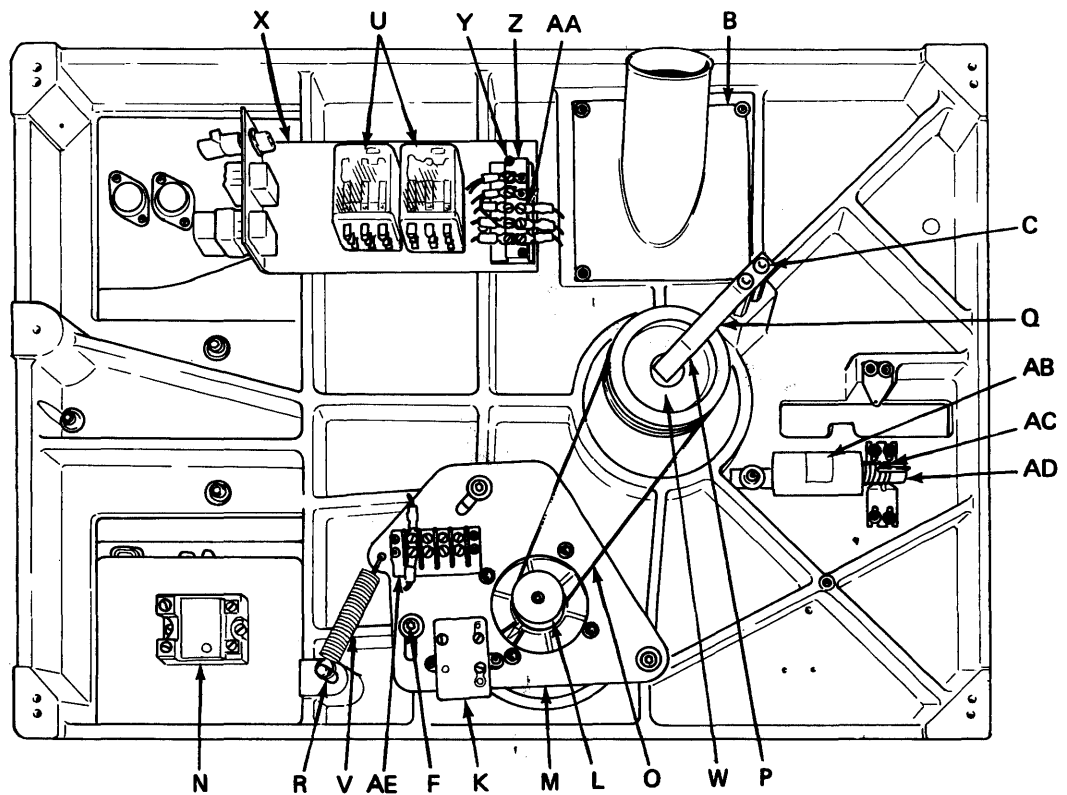


PLATE 8-2. UNITS BEFORE S/N 10429 (9480) OR 20772 (9481)

Part Numbers on Next Page

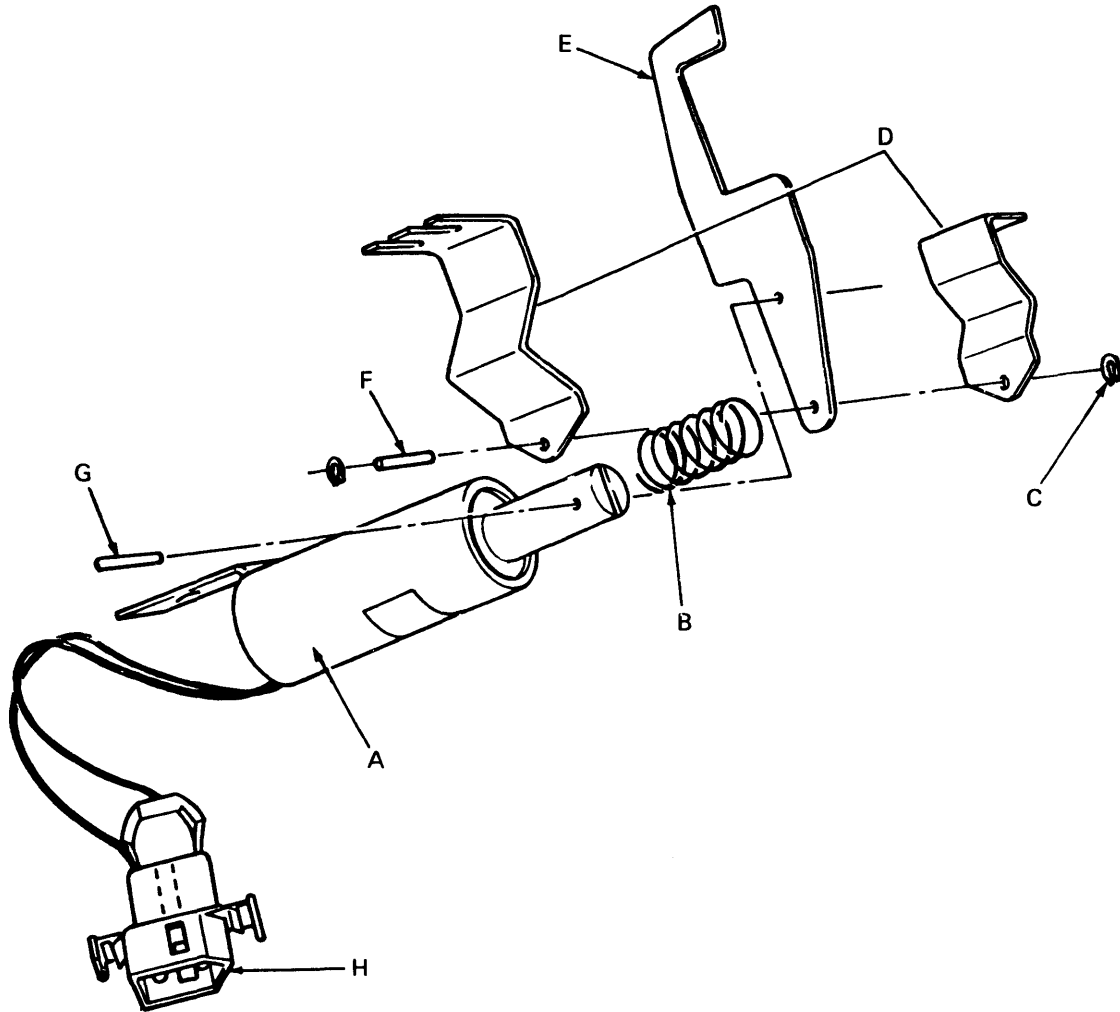
PART NUMBERS (Plate 8)

A	1105 7957	screw, use:- 1447 0009 washer	M	1879 4198	motor mounting plate
B	2155 5453	clean air inlet, use:- 2157 8513 gasket	N	2158 9148	solid state relay, use:- 1879 1616 suppressor 1447 1353 screw 1447 1411 lockwasher
C	1880 2959	standoff, use:- 1105 7932 screw } 1880 5960 stud } with belt guard 1257 4125 nut }	O	1446 8649	belt
D	-----	refer to "RECEIVER INTERLOCK SOLENOID ASSEMBLY"	P	1446 8631	spindle grounding contact, use:- 1447 0470 setscrew
E	1880 5978	belt guard, use:- 1880 5952 bracket 1447 0207 screw 1447 0025 washer 1256 7467 lockwasher	Q	1446 6486	ground strap
F	1147 0879	screw, use:- 1256 7483 lockwasher 1256 8093 washer 1117 6476 nylon washer	R	1880 2868	insulated pin
G	1880 0912	snubber assembly	S	1879 7043	support, right } use:-
H	1447 0017	washer	T	1879 7050	support, left }
J	1105 8013	screw, use:- 1256 7459 lockwasher	U	1877 8241	relay 12V
K	1880 3098	motor start relay, use:- 1447 7932 screw 1256 7442 lockwasher 1447 0009 washer	V	1446 4002	spring
L	-----	early units: 2158 9825 pulley 50Hz } use:- 2158 9833 pulley 60Hz }	W	1446 4960	spindle assembly, includes:- 1446 4887 magnetic ring 1446 4903 pulley
	-----	later units: 1880 5044 pulley 50Hz } use:- 1880 5050 pulley 60Hz }			
		1880 5069 grubscrew			

PARTS USED IN PLATE 8-2 ONLY:-

X	1446 5470	relay bracket
Y	1105 7940	screw, use:- 1256 7442 lockwasher
Z	1103 4493	terminal block
AA	1446 7252	diode, 1N4383, use:- 1447 1742 solder lug
AB	1877 8282	solenoid
AC	1446 3988	spring
AD	1446 5140	interlock latch
AE	1103 4485	terminal block

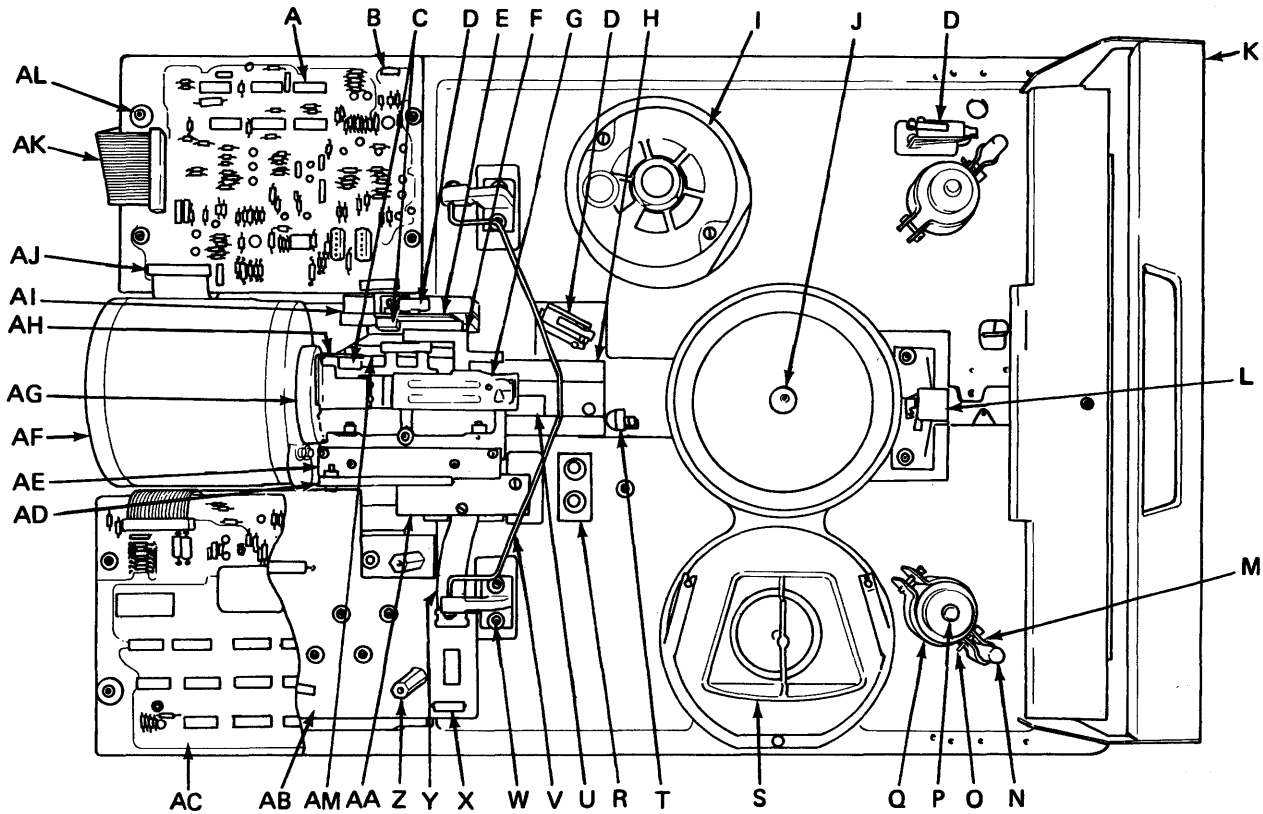
RECEIVER INTERLOCK SOLENOID ASSEMBLY (PLATE 9)



PART NUMBERS (Plate 9)

	1880 2819	complete assembly
A	1877 8282	solenoid
B	1446 3988	spring
C	1105 6322	circlip
D	2159 2735	guide bracket
E	1880 7818	lever
F	1255 0414	roll pin
G	1878 5436	cotter pin
H	1446 9746	connector, use:- 1877 7615 pin 1446 7252 diode

DISK DRIVE-TOP SIDE (PLATE 10)



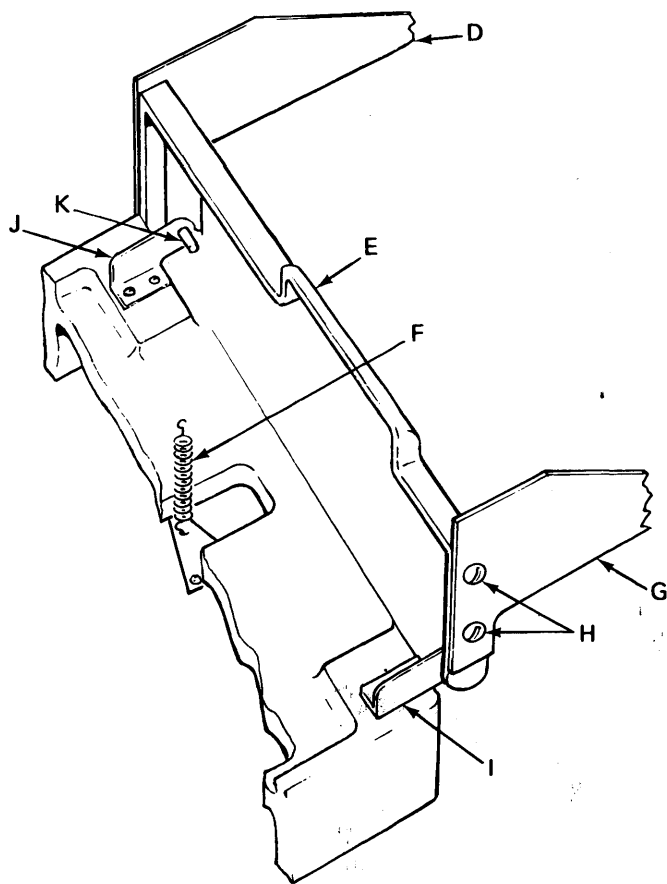
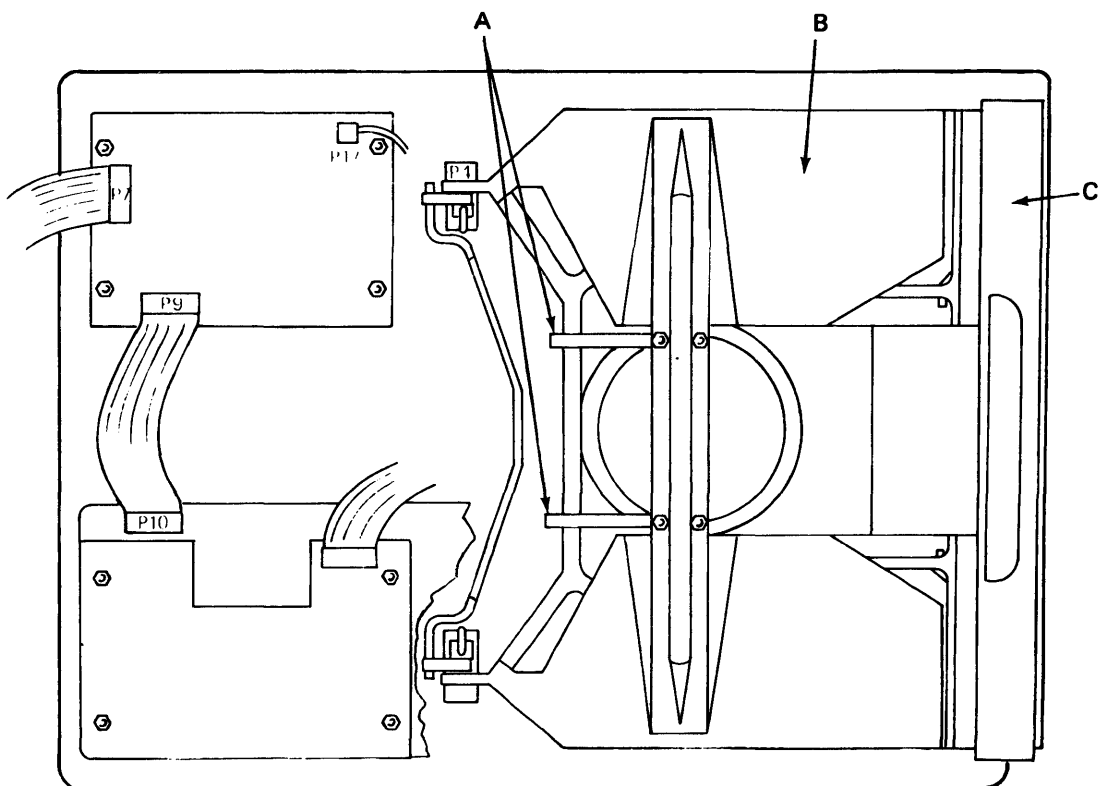
PART NUMBERS (Plate 10)

A	-----	refer to "READ/WRITE AMPLIFIER MODULE PCB"	L	1446 5454	index/sector transducer assembly, use:-
B	1446 9647	connector, use:-			1117 8597 cable clamp
		1446 9589 pin			1105 7957 screw
C	1446 5264	head lead spring clamp, use:-			1447 0009 washer
		1447 0140 screw			1256 7442 lockwasher
		1256 7442 lockwasher	M	1446 5355	1881 1794 lamp
D	1446 8607	switch, use:-			
		1446 8680 spring	N	1446 5348	bracket
		1447 0132 screw	O	1105 7940	guide pin
		1446 6452 strap clamp			screw, use:-
		1256 7426 lockwasher			1447 0009 washer
E	2159 7950	bracket	P	1879 0766	1256 7442 lockwasher
F	2160 5373	head load cam	Q	1446 5363	cartridge locator pin
G	1446 5058	upper head assembly } 9480	R	2158 8453	bracket
	1446 5066	lower head assembly } 100 t.p.;			thermistor kit, includes:-
	2156 3937	upper head assembly } 9481			2159 7778 thermistors (matched set of three)
	2156 4224	lower head assembly } 200 t.p.;			2159 7786 mounting plate
H	1878 6616	carriage guide			2158 0568 thermal grease
I	1878 2995	spindle drive motor	S	2160 8252	1105 7973 screw
J	1446 4960	spindle assembly, includes:-			air duct, use:-
		1519 8278 retaining ring			1880 1811 gasket
		1446 4887 ring magnet	T	1446 4986	carriage stop, use:-
		1878 9305 spring washer			1447 0371 bumper
		1446 4903 pulley			1105 7973 screw
K	-----	receiver handle, refer to "CARTRIDGE RECEIVER ASSEMBLY"			1447 0009 washer
					1256 7442 lockwasher

PART NUMBERS (Plate 10) Continued

U	1446 4853	linear potentiometer, use:- 2155 5677 screw 1117 8597 cable clamp 1105 7940 screw 1105 7940 screw 1447 0009 washer 1256 7442 lockwasher		AD	1446 5488	flexible circuit assembly, use:- 1446 9746 connector 1447 2773 pin	
V	1879 9049	door opener bail, use:- 1446 3947 spring 1105 6322 grip ring 1256 8010 washer 1255 3129 E-ring		AE	1446 5876	mask assembly, use:- 1447 0124 screw 1256 7442	} 9480 100 t.p.i.
W	2159 4395	receiver pivot bracket, use:- 1105 7940 screw 1447 0009 washer 1256 7442 lockwasher 1255 0745 roll pin			2156 9967	mask assembly, use:- 1105 7932 screw 1256 7442 lockwasher 1200 6383 shoulder screw 1103 8783 washer 1878 9123 spring	
X	1446 9647	connector, use:- 1446 9589 pin		AF	1878 3142	magnet, use:- 1447 1262 screw 1256 7483 lockwasher 1256 8093 washer 2155 4365 shield assembly	
Y	1446 5777	cable assembly (detent)		AG	-----	carriage assembly, refer to "CARRIAGE ASSEMBLY"	
Z	-----	standoff, refer to "PCB FIXTURES"		AH	2159 7968	bracket, use:- 1105 7932 screw 1447 0009 washer 1256 7442 lockwasher	
AA	1446 8813	optical detent assembly, use:-	} 9480 100 t.p.i.	AI	1446 4846	bracket, use:- 1105 7940 screw 1447 0009 washer 1256 7442 lockwasher	
	2156 9959	optical detent assembly, includes:- 2156 9975 transducer		} 9481 200 t.p.i.	AJ	-----	cable assembly, refer to "PCB FIXTURES"
AB	-----	refer to "POWER AMPLIFIER MODULE PCB"			AK	-----	cable assembly, refer to "PCB FIXTURES"
AC	-----	refer to "SERVO CONTROL MODULE 1 PCB"		AL	-----	standoff, refer to "PCB FIXTURES"	
	-----	refer to "SERVO CONTROL MODULE 2 PCB"		AM	-----	actuator cam, refer to "CARRIAGE ASSEMBLY"	
	-----	refer to "TEMPERATURE COMPEN- SATION MODULE PCB"					

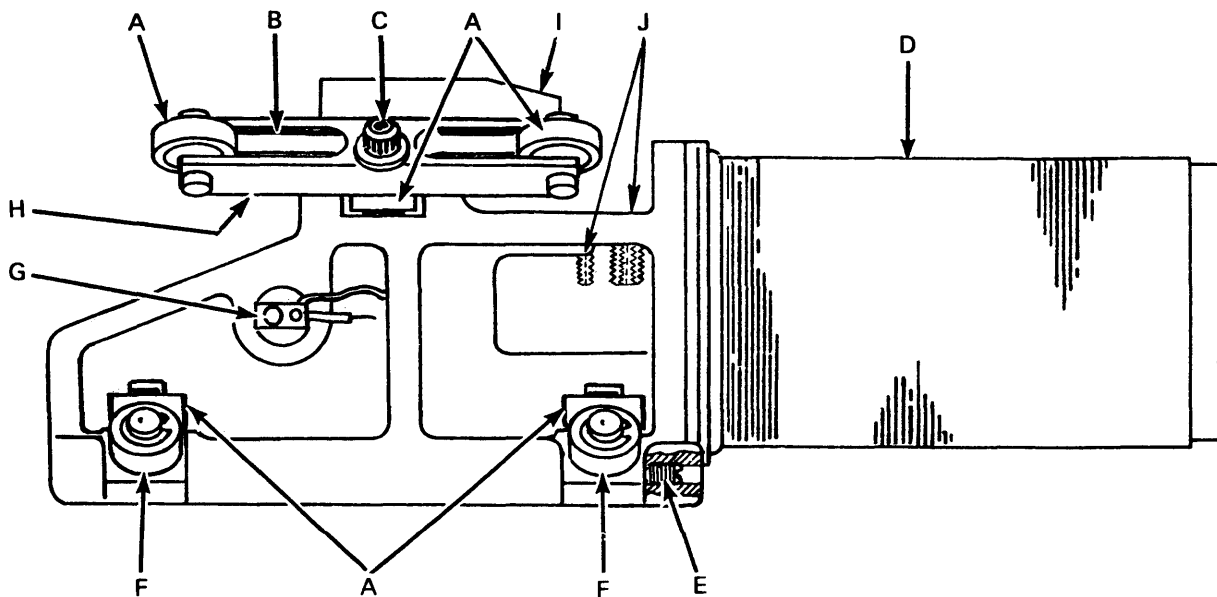
CARTRIDGE RECEIVER ASSEMBLY (PLATE 11)



PART NUMBERS (Plate 11)

A	1446 3772	leaf spring	
B	1446 3582	receiver assembly, includes:-	
		1446 3756 receiver bottom	
		1446 3764 receiver top	
		1447 1544 screw	
C	1446 5173	actuator handle	
D	1879 8439	handle bracket, right	
E	1446 5165	actuator	
F	1446 3988	receiver spring	
G	1879 8447	handle bracket, left	
H	1876 9489	screw	
I	1446 5090	actuator bracket, left	} use:-
J	1446 5108	actuator bracket, right	
		1105 7932 screw	
		1256 7442 lockwasher	
		1447 0009 washer	
K	1879 9353	spiral pin	

CARRIAGE ASSEMBLY (PLATE 12)



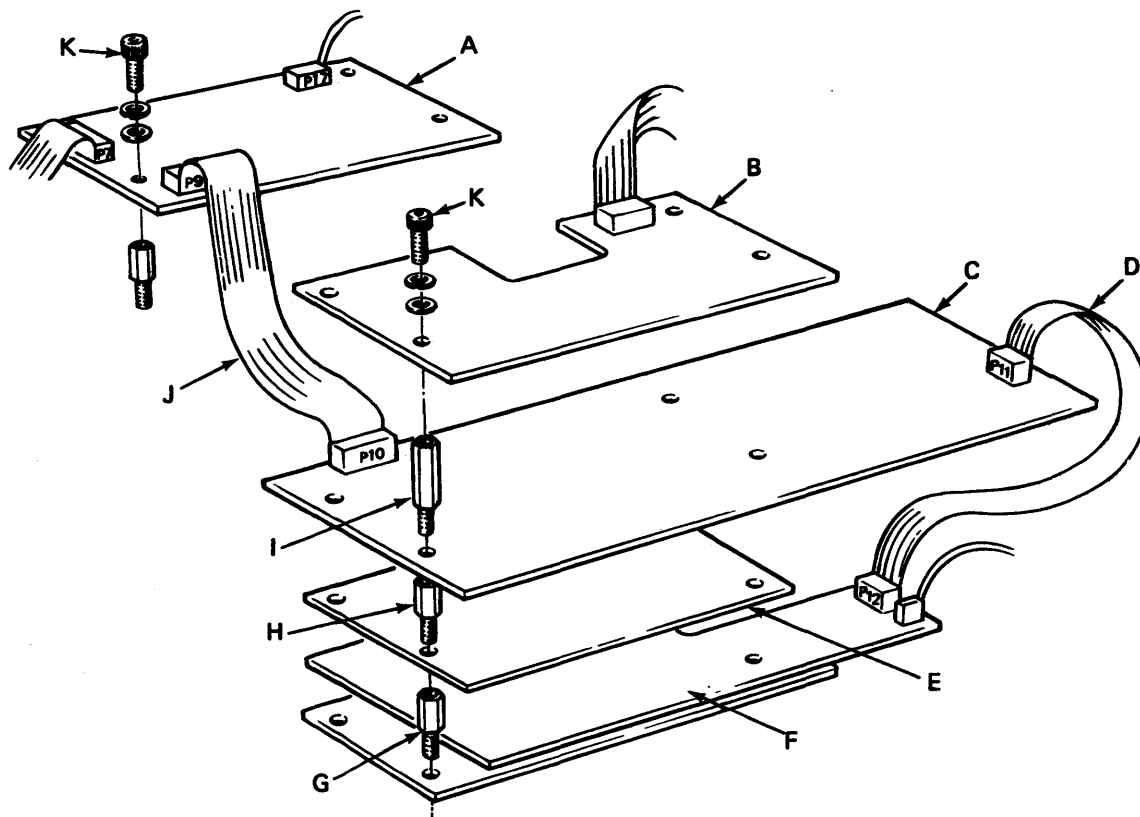
PART NUMBERS (Plate 12)

18506620

~~1878 8299~~ complete assembly, includes:-

- A thru H
- 2155 6568 set screw
- A 1878 8273 bearing assembly
- B 1446 6031 bearing spring
- C 1447 1460 screw, use:-
 - 1256 7442 lockwasher
 - 1447 0009 washer
- D 1446 4945 positioner coil, use:-
 - 1447 1692 'O' ring
- E 1447 1460 screw
- F ---- ---- included with complete assembly only
- G 1446 8805 wiper assembly, includes:-
 - 1446 5017 wiper
 - 1446 4820 wiper support
 - 1447 1593 screw
 - 1447 1189 lockwasher
- H 1446 6064 bearing retainer
- I 1446 5157 switch actuator cam (single)
- 1879 3703 switch actuator cam (double)
- J ---- ---- not illustrated
 - 2155 6568 head lock screw
 - 2155 6949 head adjustment screw (outer)
 - 2155 6956 head adjustment screw (inner)

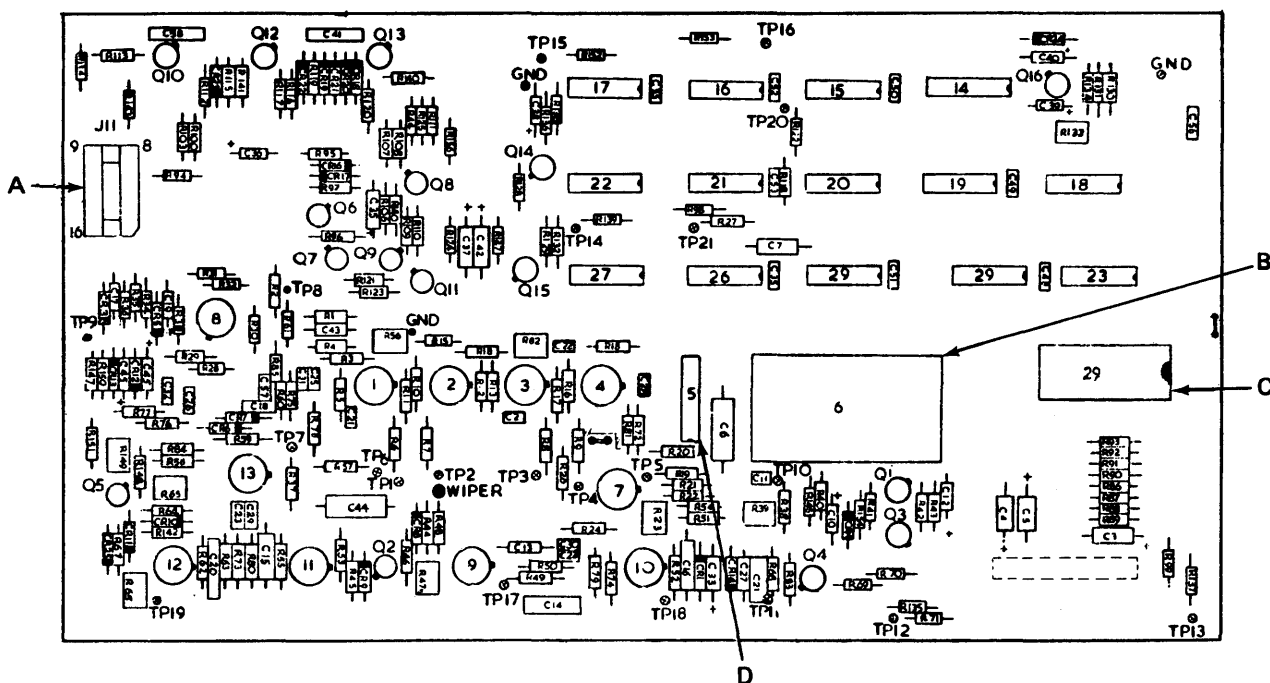
PCB FIXTURES (PLATE 13)



PART NUMBERS (Plate 13)

A	-----	refer to "READ/WRITE AMP MODULE PCB"
B	-----	refer to "SERVO CONTROL MODULE-2 PCB"
C	-----	refer to "SERVO CONTROL MODULE-1 PCB"
D	1446 5561	cable, SCM-1 to PAM
E	-----	refer to "TEMPERATURE COMPENSATION MODULE PCB", use:-
		2159 8065 cable, temp comp to SCM-1 (4 wire)
		2159 8396 cable, temp comp to SCM-1 (3 wire)
		2159 8511 cable, temp comp to thermistor (baseplate)
		2159 8053 cable, temp comp to thermistor (head cam)
F	-----	refer to "POWER AMPLIFIER MODULE PCB"
G	2159 8206	standoff 2"
H	1103 6019	standoff 1 1/2"
I	1880 2959	standoff 2 1/2" (9481 only)
J	1446 5553	cable, RWA to SCM-1 (without magnet shield)
	1880 2793	cable, RWA to SCM-1 (with magnet shield)
K	1105 7932	screw, use:-
		1256 7442 lockwasher
		1256 8010 washer

SERVO CONTROL MODULE 1 PCB (PLATE 14)



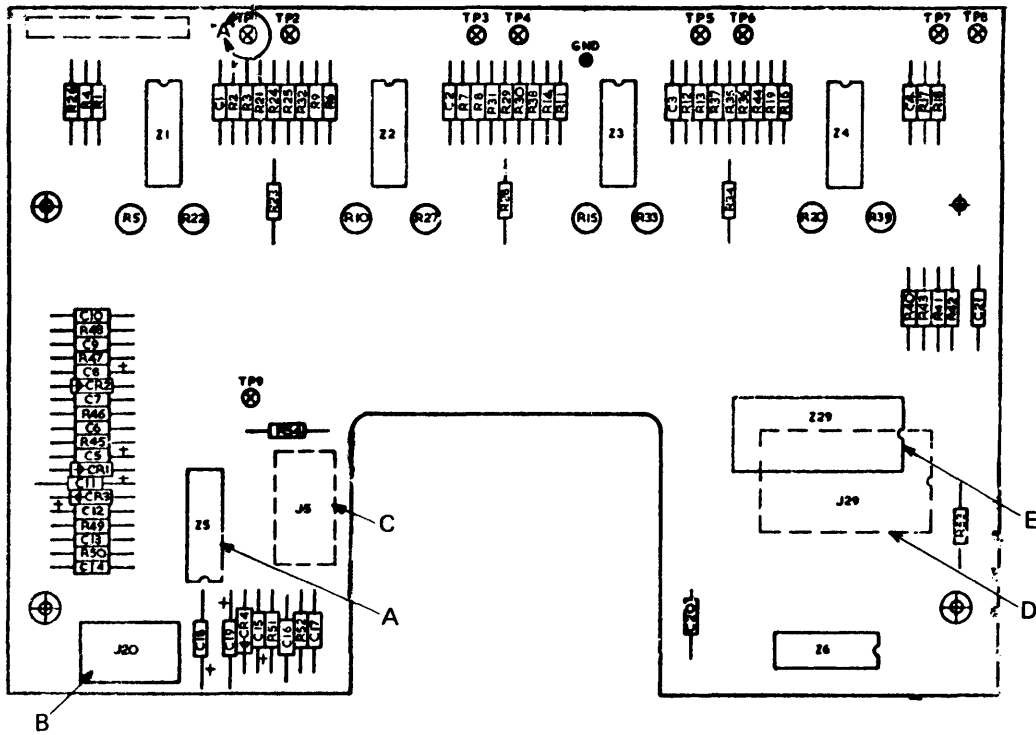
PART NUMBERS (Plate 14)

- 1880 6083 complete assembly (9480)
before S/N 10492
- 1880 6091 complete assembly (9481)
before S/N 20772
- 1880 5598 complete assembly (9480)
after S/N 10492
- 1880 5549 complete assembly (9481)
after S/N 20772

Refer to "COMMON ELECTRICAL PARTS" for individual components

- A 1446 9621 14 pin socket
 - B 2158 9882 10 pin socket strip for IC6 (DAC)
 - C 2158 8294 24-pin socket in place of IC29
 - D 1446 9613 16-pin socket in place of IC5
- } 9481 only

SERVO CONTROL MODULE 2 PCB (PLATE 15)
(FOR 9481 ONLY)

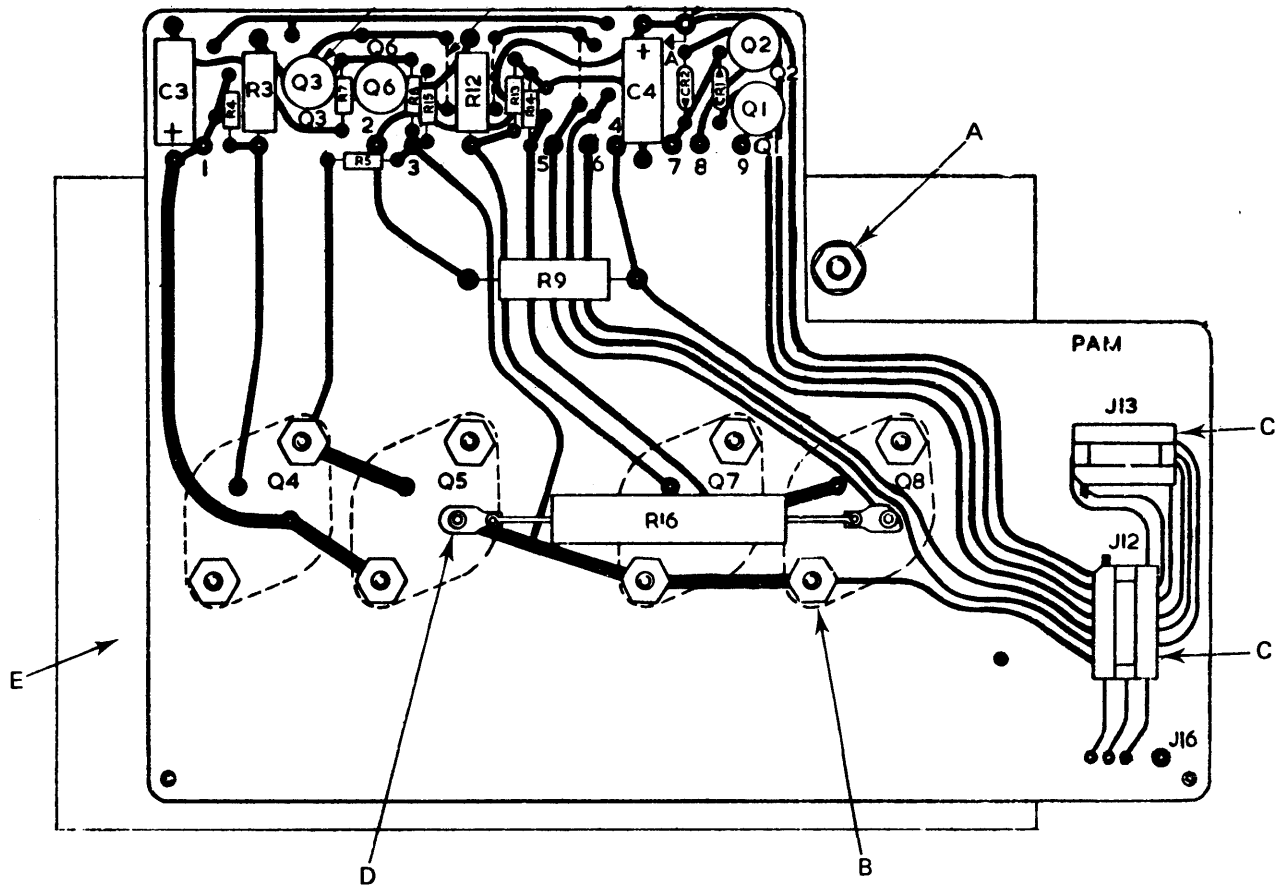


PART NUMBERS (Plate 15)

Refer to "COMMON ELECTRICAL PARTS" for individual components

- | | | |
|---|-----------|---------------------------|
| | 2158 8272 | complete assembly |
| A | 1920 1540 | 16 pin socket |
| B | 1446 9621 | 14 pin socket |
| C | 2158 8256 | adaptor plug 16 pin (J5) |
| D | 2158 8264 | adaptor plug 24 pin (J29) |
| E | 2158 9791 | 12 pin socket strip |

POWER AMPLIFIER MODULE PCB (PLATE 16)



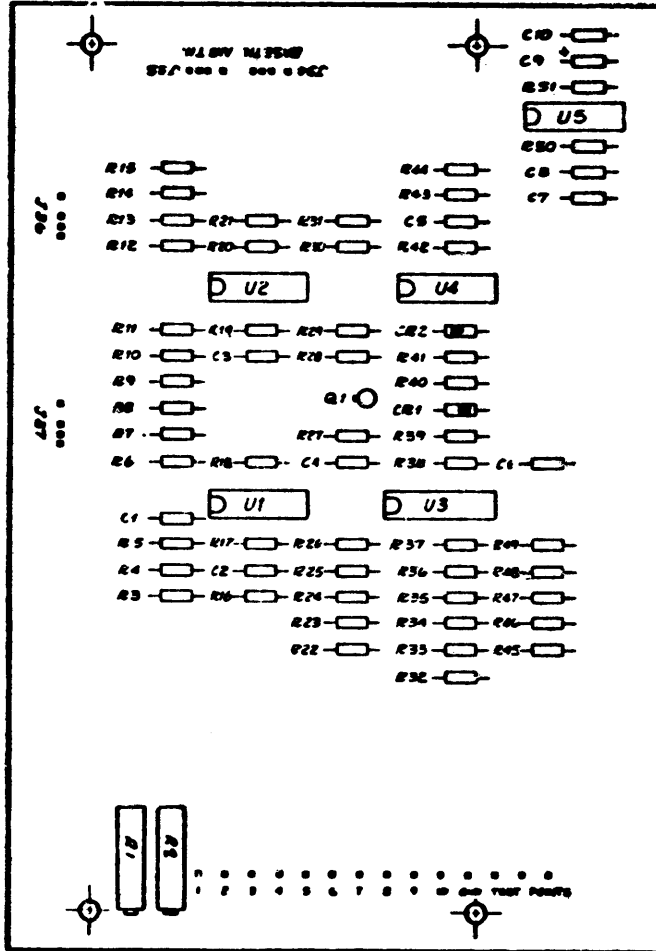
PART NUMBERS (Plate 16)

- 1880 5218 complete assembly before S/N 10492 (9480)
or 20772 (9481) use:-
1446 9704 connector 15 pin
1446 8698 pin
- 1880 5531 complete assembly after S/N 10492 (9480)
or 20772 (9481), use:-
1446 9720 connector 12 pin
1446 8698 pin

Refer to "COMMON ELECTRICAL PARTS" for individual components

- A 1105 7940 screw, use:-
1447 0009 washer
1256 7442 lockwasher
1256 5248 nut
- B ----- transistor mounting hardware, includes:-
1257 2590 screw
1446 8664 mylar wafer
1446 8771 nylon washer
1447 0009 washer
1257 4125 nut with lockwasher
- C 1446 9621 14 pin socket
D 1140 8747 solder terminal
E 1446 6015 heat sink

TEMPERATURE COMPENSATION MODULE PCB (PLATE 17)
(FOR 9481 ONLY)

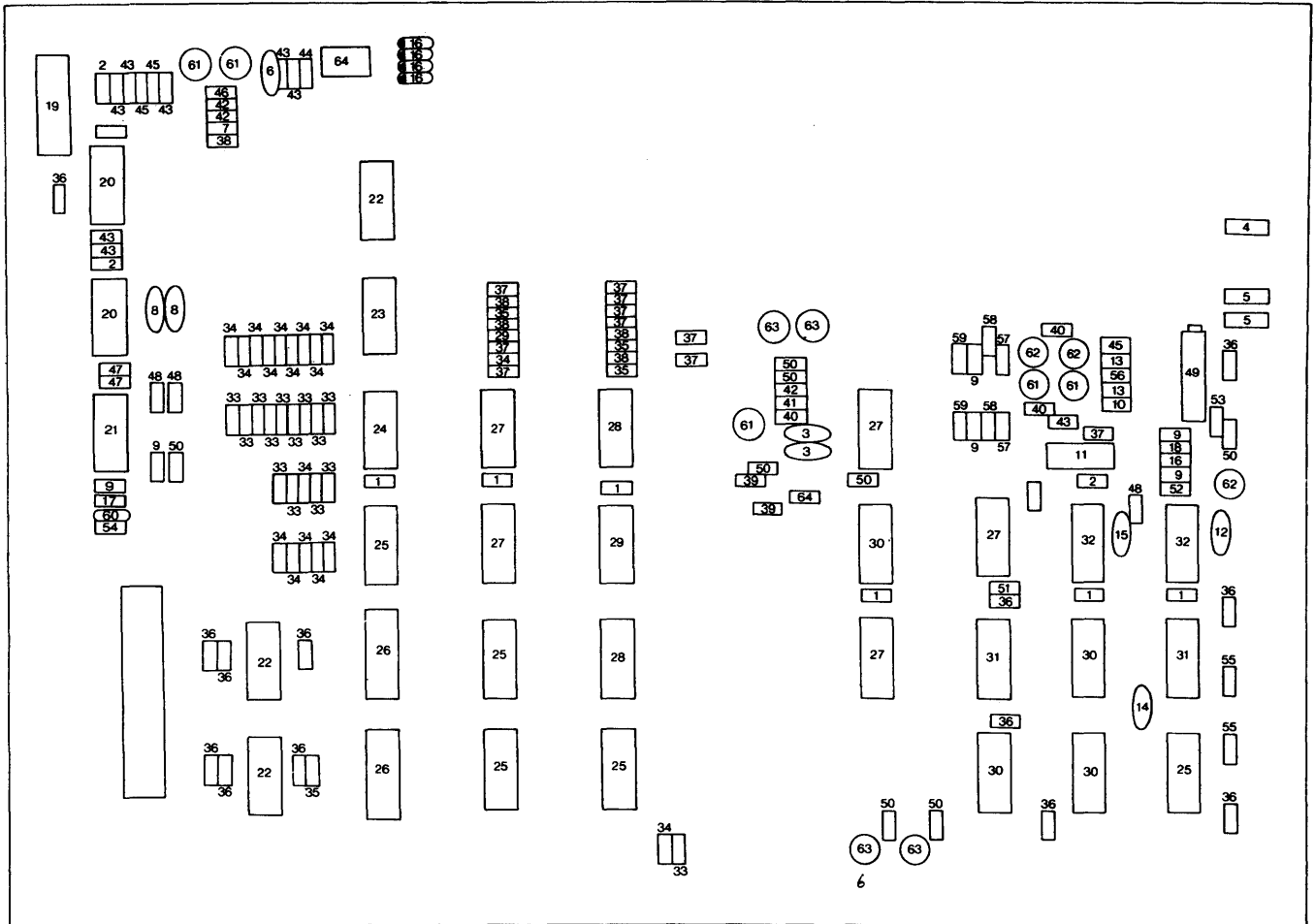


PART NUMBERS (Plate 17)

2159 8669 complete assembly

Refer to "COMMON ELECTRICAL PARTS" for individual items

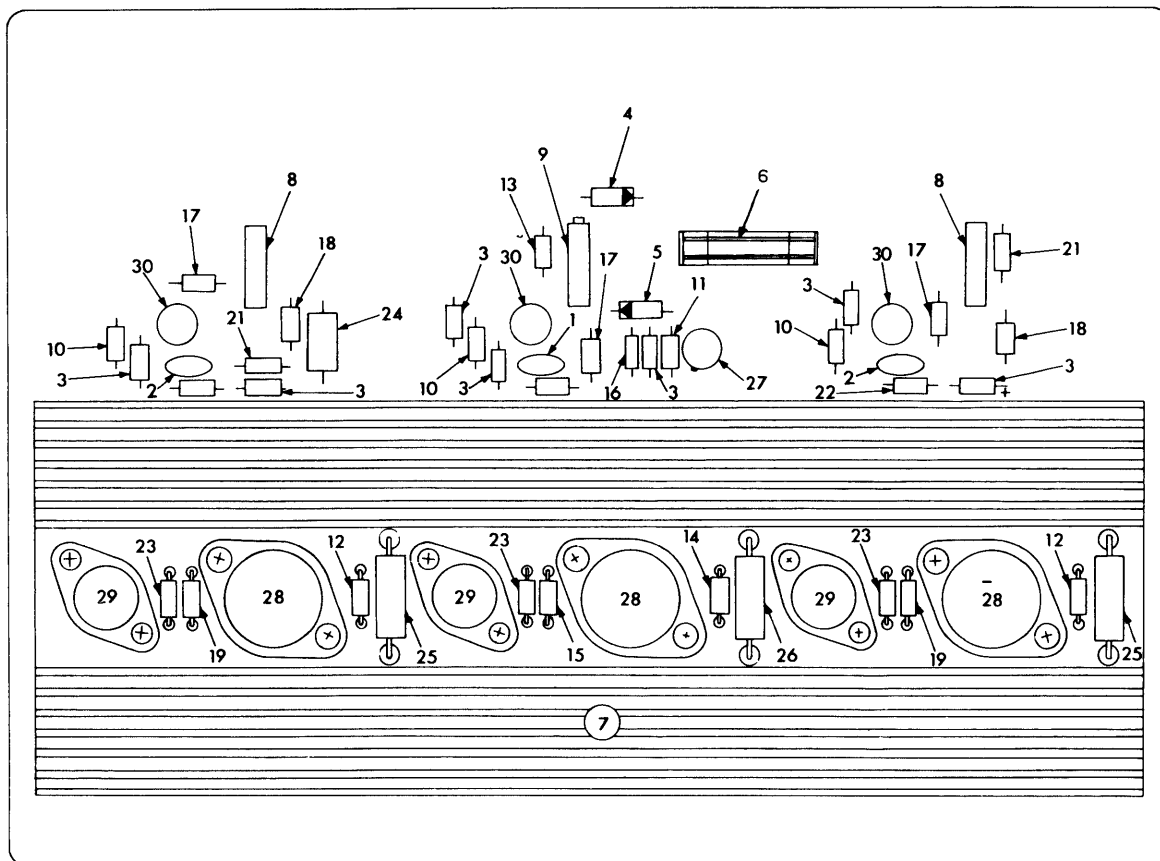
COMMON ELECTRONICS MODULE PCB (PLATE 18)



PART NUMBERS (Plate 18)

1880 6547	complete assembly (9480)								
1880 5564	complete assembly (9481)								
CAPACITORS									
1	1876 9893	.1μF,	50V						
2	1877 0578	6.8μF,	6V						
3	1877 2145	62pF,	500V						
4	1877 0685	56μF,	6V						
5	1877 1170	6.8μF,	35V						
6	1877 2426	820pF,	500V						
7	1876 7616	2.2μF,	20V						
8	1877 2319	330pF,	500V						
9	1877 1071	1μF,	35V						
10	1877 1345	.0068μF,	80V						
11	1877 1469	.068μF,	8V						
12	1877 2103	47pF,	500V						
13	1877 1634	.0015μF,	200V						
14	1877 2293	270pF,	500V						
15	1877 2087	39pF,	500V						
DIODES									
16	1446 7245	IN 4448							
17	2300 5440	IN 5229B							
18	1126 3241	IN 753A, 6.2V							
DELAY LINE									
19	1446 8615	150n.s.							
INTEGRATED CIRCUITS									
20	1446 7104	1235							
21	1446 7096	MC 1218							
22	1446 6932	MC 858C							
23	2600 1685	7405							
24	2600 4911	7402							
25	1447 3532	7404							
26	1446 7088	9322							
27	1447 3516	7400							
28	1446 7021	7403							
29	1446 7005	7411							
30	1447 3607	7474							
31	1447 3540	7410							
32	1901 7102	9601							
RESISTORS									
33	1876 4902	180 ohms, ¼W, 2%							
34	1876 4944	270 ohms, ¼W, 2%							
35	1876 4936	240 ohms, ¼W, 2%							
36	1876 5081	1K, ¼W, 2%							
37	1876 5016	510 ohms, ¼W, 2%							
38	1876 4894	160 ohms, ¼W, 2%							
39	1876 5487	47K, ¼W, 2%							
40	1876 5156	2K, ¼W, 2%							
41	1876 4910	200 ohms, ¼W, 2%							
42	1876 5248	4700 ohms, ¼W, 2%							
43	1876 4779	51 ohms, ¼W, 2%							
44	1876 4860	120 ohms, ¼W, 2%							
45	1876 4993	430 ohms, ¼W, 2%							
46	1876 4811	75 ohms, ¼W, 2%							
47	1876 4977	360 ohms, ¼W, 2%							
48	1876 5255	5100 ohms, ¼W, 2%							
49	1877 4299	10K, potentiometer							
50	1876 4845	100 ohms, ¼W, 2%							
51	1876 4761	47 ohms, ¼W, 2%							
52	1876 4951	300 ohms, ¼W, 2%							
53	1876 5107	1200 ohms, ¼W, 2%							
54	1876 5024	560 ohms, ¼W, 2%							
55	1876 5065	820 ohms, ¼W, 2%							
56	1876 4305	8200 ohms, ¼W, 2%							
57	1876 5222	3900 ohms, ¼W, 2%							
58	1876 5198	3K, ¼W, 2%							
59	1876 5172	2400 ohms, ¼W, 2%							
60	1265 4620	750 ohms, ¼W, 5%							
TRANSISTORS									
61	2208 6813	2N 2222 A							
62	1446 7237	2N 2369							
63	1446 7187	2N 2907 A							
TRANSFORMER									
64	1877 8316	IZPHA							
X. TAL.									
65	1446 9019	6.2 MHz							

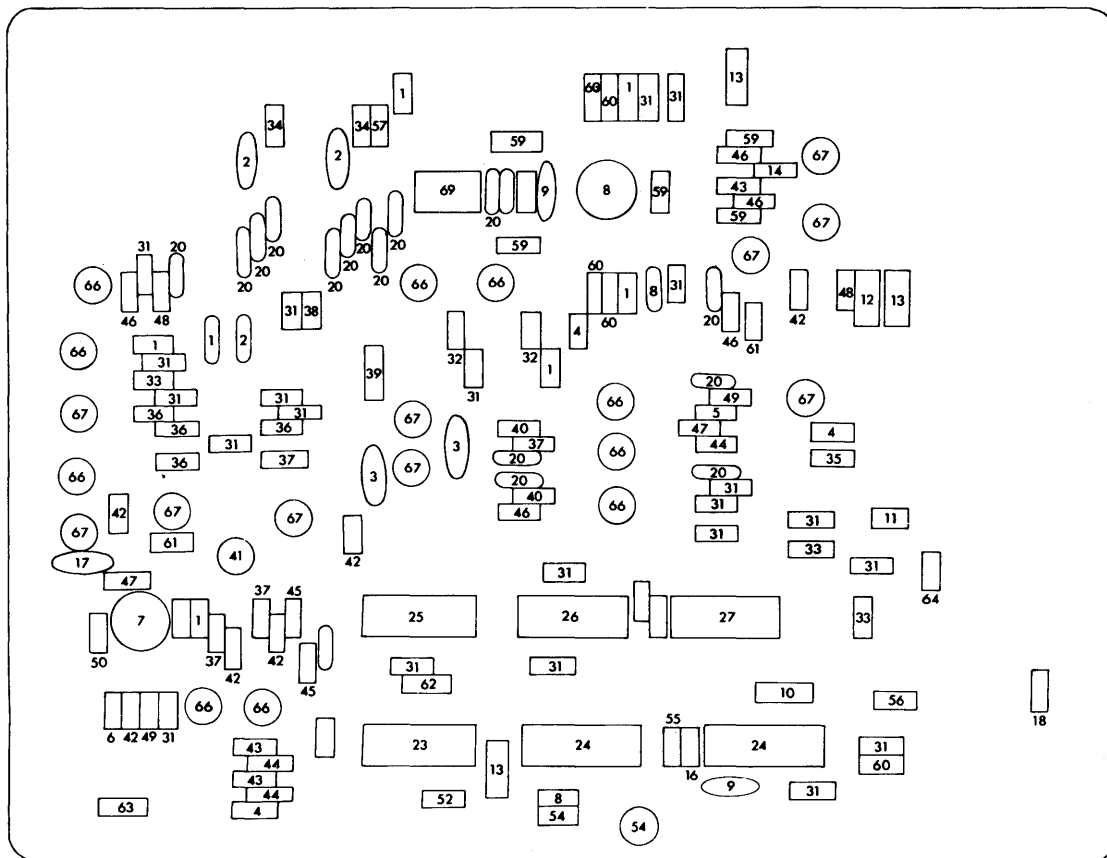
POWER SUPPLY PCB (PLATE 19)



PART NUMBERS (Plate 19)

1446 5728	complete assembly	17	1876 5164	2200 ohms, ¼W, 2%
	CAPACITORS	18	1876 5198	3K, ¼W, 2%
1	1877 2194 100pF, 500V	19	1876 5222	3900 ohms, ¼W, 2%
2	1877 2376 510pF, 500V	20	1876 5248	4700 ohms, ¼W, 2%
3	1877 1071 1µF, 35V	21	1876 5263	5600 ohms, ¼W, 2%
	DIODES	22	1876 5321	10K, ¼W, 2%
4	1446 7252 IN 4388	23	1876 4597	5.1 ohms, ¼W, 2%
5	1319 0095 IN 752 A.	24	1265 9140	330 ohms, 1W, 5%
	FUSE	25	1877 4422	1 ohm, 5W, 1%
6	1064 7667 5A	26	1877 4414	.5 ohm, 5W, 1%
	HEAT SINK		RECTIFIER	
7	1446 5884	27	1446 7179	SCR 2N 4183
	POTENTIOMETERS		TRANSISTORS	
8	1877 4265 1K ohms	28	1080 5364	2N 3055
9	1877 4257 500 ohms	29	1446 7146	2N 4911
	RESISTORS		INTEGRATED CIRCUITS	
10	1876 4779 51 ohms, ¼W, 2%	30	1446 6916	IC 723C
11	1876 4845 100 ohms, ¼W, 2%		MISCELLANEOUS	
12	1876 5040 680 ohms, ¼W, 2%	1447 1858	fuse holders	
13	1876 5057 750 ohms, ¼W, 2%	1446 8656	insulating wafer for item 29	
14	1876 5065 820 ohms, ¼W, 2%	1446 8664	insulating wafer for item 28	
15	1876 5081 1K, ¼W, 2%	1257 2590	screw	
16	1876 5156 2K, ¼W, 2%	1446 8771	nylon washer	} for items 28 and 29
		1447 0009	washer	
		1257 4125	lock nut	

READ/WRITE AMPLIFIER MODULE PCB (PLATE 20)



PART NUMBERS (Plate 20)

1446 5694 complete assembly (9480)
2158 7233 complete assembly (9481)

CAPACITORS

1	1877 1071	1 μ f 35V
2	1877 2426	820pf
3	1877 2392	620pf 300V
4	1877 0578	6.8 μ f 6V
5	1877 1618	.001 μ f 200V
6	1877 1287	.0022 μ f 80V
7	1877 1030	.47 μ f 35V
8	1877 1360	.01 μ f 80V
9	1877 2194	100pf
10	1877 1469	.068 μ f 80V
11	1877 1634	.0015 μ f 200V
12	1877 0685	56 μ f 6V
13	1877 1170	6.8 μ f 35V
14	1876 9828	.01 μ f 50V
15	1877 0594	10 μ f 6V
16	1876 9893	.1 μ f 50V
17	1877 2335	390pf
18	1876 9950	1 μ f 50V
19		

DIODES

20	1446 7245	IN 4448
21	1126 3241	IN753A
22		

INTEGRATED CIRCUITS

23	1447 3607	7474
24	2048 5132	9602
25	1447 3532	7404
26	1880 1829	7416
27	1446 6932	MC 858C
28	1446 6924	741C
29	2010 0582	733C
30		

RESISTORS

31	1876 5081	1K $\frac{1}{4}$ W 2%
32	1876 5065	820 ohms, $\frac{1}{4}$ W, 2%
33	1876 5024	560 ohms, $\frac{1}{4}$ W, 2%
34	1876 5198	3K, $\frac{1}{4}$ W, 2%
35	1876 4605	10 ohms, $\frac{1}{4}$ W, 2%
36	1876 5396	20K, $\frac{1}{4}$ W, 2%
37	1876 4704	27 ohms, $\frac{1}{4}$ W, 2%
38	1876 4860	120 ohms, $\frac{1}{4}$ W, 2%
39	1877 5007	300 ohms, 3W, 3%
40	1876 5123	1500 ohms $\frac{1}{4}$ W, 2%
41	1877 2590	variable - 100 ohms
42	1876 4845	100 ohms, $\frac{1}{4}$ W, 2%
43	1876 4910	200 ohms, $\frac{1}{4}$ W, 2%
44	1876 5016	510 ohms, $\frac{1}{4}$ W, 2%
45	1876 5057	750 ohms, $\frac{1}{4}$ W, 2%
46	1876 5156	2K, $\frac{1}{4}$ W, 2%
47	1876 5453	36K, $\frac{1}{4}$ W, 2%
48	1876 5321	10K, $\frac{1}{4}$ W, 2%

49	1876 5248	4700 ohms, $\frac{1}{4}$ W, 2%
50	1876 5560	100K, $\frac{1}{4}$ W, 2%
51	1876 4886	150 ohms, $\frac{1}{4}$ W, 2%
52	1876 5404	22K, $\frac{1}{4}$ W, 2%
53	1877 2665	variable 20K
54	1876 5255	5100 ohms, $\frac{1}{4}$ W, 2%
55	1111 9039	17.8K, $\frac{1}{4}$ W, 2%
56	1876 5461	39K, $\frac{1}{4}$ W, 2%
57	1876 5180	2700 ohms, $\frac{1}{4}$ W, 2%
58	1876 5172	2400 ohms $\frac{1}{4}$ W, 2%
59	1876 4779	51 ohms, $\frac{1}{4}$ W, 2%
60	1876 5107	1200 ohms, $\frac{1}{4}$ W, 2%
61	1876 5222	3900 ohms, $\frac{1}{4}$ W, 2%
62	1876 4894	160 ohms, $\frac{1}{4}$ W, 2%
63	1265 3291	11 ohms, $\frac{1}{4}$ W, 5%
64	1876 4936	240 ohms $\frac{1}{4}$ W, 2%
65		

TRANSISTORS

66	1446 7153	2N 2222 A
67	1446 7187	2N 2907 A
68		

TRANSFORMER

69	1877 8316	1Z PHA
----	-----------	--------

MISCELLANEOUS

2009 7390	transistor pad
1877 8621	pad-8 lead thru
1877 8639	pad-10 lead thru

COMMON ELECTRICAL PARTS (PLATE 21)
(AS ILLUSTRATED IN PLATES 14 THRU 17)

PART NUMBER	DESCRIPTION	MANFCTR'S. NUMBER	PART NUMBER	DESCRIPTION	MANFCTR'S. NUMBER	
INTEGRATED CIRCUITS			RESISTORS			
1446 6957	Dual Comparator	711 HC		VALUE	POWER	TOLERANCE
1446 6924	Operational Amplifier	741 C	2158 8355	0.2Ω	5W (w/w)	1%
1907 7726	Dual Operational Amplifier	747 C	2159 3181	6.2Ω	¼W	2%
1446 6940	8-Channel Multiplexer	3705	1876 4605	10Ω	¼W	2%
1447 3516	Quad. 2 input NAND gate	7400	1876 4761	47Ω	¼W	2%
1446 7021	Quad. 2 input NAND gate	7403	1876 4779	51Ω	¼W	2%
1447 3532	Hex. inverter	7404	1876 4787	56Ω	¼W	2%
2155 6394	Hex. inverter	7405	1876 4845	100Ω	¼W	2%
1447 3540	Triple 3 input NAND gate	7410	1876 4886	150Ω	¼W	2%
1446 7005	Triple 3 input AND gate	7411	1876 4910	200Ω	¼W	2%
2155 2732	Hex. inverter	7416	1111 8585	237Ω	¼W	2%
1447 3607	Dual D-type flip-flop	7474	1877 5007	300Ω	3W (w/w)	2%
1446 7062	Dual 4 bit latch	9308	2160 5720	350Ω	13W	5%
2048 5132	Dual monostable	9602	1876 5008	470Ω	¼W	2%
2159 9733	9 bit D.A.C.	Various	1876 5016	510Ω	¼W	2%
2159 7976	Dual Voltage regulator	MC 1568	1876 5024	560Ω	¼W	2%
TRANSISTORS			1111 8700	750Ω	¼W	2%
1446 7153	NPN small signal	2N 2222A	1876 5065	820Ω	¼W	2%
1446 7187	PNP small signal	2N 2907A	1876 5081	1K	¼W	2%
1446 7112	PNP medium power	2N 4036	1876 5099	1.1K	¼W	2%
1446 7229	Junction FET	2N 4222A	1876 5123	1.5K	¼W	2%
1446 7120	NPN medium power	2N 4238	1876 5156	2K	¼W	2%
1446 7138	Unijunction	2N 4852	1876 5172	2.4K	¼W	2%
1446 7203	PNP power	2N 4906	1876 5206	3.3K	¼W	2%
1446 7195	NPN power	2N 4915	1111 8866	3.48K	¼W	1%
2155 2724	NPN high power high voltage	2N 6249/2N 6250	1876 5271	3.9K	¼W	2%
DIODES			1876 5230	4.3K	¼W	2%
1880 4831	6.2V Zener	IN 753A	1876 5248	4.7K	¼W	2%
1446 7286	8.2V Zener	IN 756A	1876 5255	5.1K	¼W	2%
1258 5839	General purpose	IN 914	1876 5297	7.5K	¼W	2%
1446 7278	9V Zener	IN 935	1876 8523	7.5K	⅛ W	0.1%
1446 7260	16V Zener	IN 966A	1876 5313	9.1K	¼W	2%
1446 7252	General purpose	IN 4383	1876 5321	10K	¼W	2%
1446 7245	General purpose	IN 4448	1111 8981	11K	¼W	2%
POTENTIOMETERS			1876 5347	12K	¼W	2%
	VALUE		1876 5362	15K	¼W	2%
2155 6261	500Ω		1876 8812	15K	⅛ W	0.1%
1877 4273	2K		1876 5396	20K	¼W	2%
2155 6295	5K		1876 5404	22K	¼W	2%
2155 6303	10K		1876 5412	24K	¼W	2%
2155 6311	20K		1876 5461	39K	¼W	2%
2155 6337	50K		1876 5487	47K	¼W	2%
2155 6352	200K		1876 5529	68K	¼W	2%
			1876 5545	82K	¼W	2%
			1876 5552	91K	¼W	2%
			1876 5560	100K	¼W	2%
			1111 9252	147K	¼W	1%
			1876 5636	200K	¼W	2%
			1265 6658	510K	¼W	5%
			1265 6856	1M	¼W	5%

Part Numbers Continued on Next Page

COMMON ELECTRICAL PARTS (PLATE 21) Continued

PART NUMBER	DESCRIPTION	MANFCTR'S. NUMBER
CAPACITORS		
	VALUE	WORKING VOLTS
1877 2277	220pF	500V
1104 2884	510pF	200V
1877 1329	0.0047 μ F	80V
1876 9828	0.01 μ F	50V
1877 1360	0.01 μ F	80V
1876 9844	0.022 μ F	50V
1877 1402	0.022 μ F	80V
1876 9893	0.1 μ F	50V
1877 1527	0.22 μ F	80V
1877 2533	0.33 μ F	75V
1877 2558	0.47 μ F	75V
1876 9950	1 μ F	50V
2300 5598	1.5 μ F	-
1876 7616	2.2 μ F	20V
1877 0578	6.8 μ F	6V
1877 1170	6.8 μ F	35V
1877 9389	6.8 μ F	50V
1876 7624	15 μ F	20V
1877 0677	47 μ F	6V
1877 0685	56 μ F	6V
MISCELLANEOUS		
2009 7390	Transistor pad	
1877 8621	IC pad, 8 lead	
1877 3620	IC pad, 10 lead	
1446 9746	Molex plug, 3 pin	
1081 8946	Molex plug, 6 pin	
1446 9720	Molex plug, 12 pin	
1446 9704	Molex plug, 15 pin	
1877 7615	Male pin for above	
1446 9738	Molex socket, 3 pin	
1081 6882	Molex socket, 6 pin	
1446 9712	Molex socket, 12 pin	
1446 9696	Molex socket, 15 pin	
1877 7599	Female contact for above	
1878 8117	15 way dual edge connector	
1447 1734	Test point pin	
1112 0599	Cable tie	
I/O CABLES (50 PIN)		
2158 4826	cable 10'	} use:-
1446 6072	cable 25'	
	1472 0726 socket contact	
	1472 3373 jackscrew (female)	
	1472 3381 jackscrew (male)	

Notes