

B5500 CENTRAL CONTROL

132 Column Printer Module

Burroughs Corporation ELECTRODATA M & E DIVISION PASADENA CALIFORNIA				CHANGE SHEET			A - 11210598		REV. A
TITLE				INSTRUCTIONS - CC "D" RACK, 132 COLUMN PRINTER MOD			PAGE 1 OF 2		
REV. LTR.	CONT. DOC. & NO.	DFT-MAN	CHKR.	APP'D BY & DATE	PAGE	LINE OR P	REVISION DESCRIPTION		
A	ER 1685	T.J.	<i>TJK</i>	<i>BTK</i> 7-7-65			RELEASED		

Burroughs Corporation ELECTRODATA M & E DIVISION PASADENA CALIFORNIA		PREPARED BY T. J. Jones	APPROVED D. T. Kielty	DWG NO A 11210598	REV A
PROPERTY OF BURROUGHS CORPORATION NOT TO BE REPRODUCED NOR USED FOR MANUFACTURING PURPOSES EXCEPT ON BURROUGHS ORDER OR PRIOR WRITTEN CONSENT		CHECKED BY	PROJ ENGR E. A. Hauck	PAGE 2 of 2	
TITLE			Instructions - CC "D" Rack, 132 Column Printer Mod		

PURPOSE: The 132 Column Printer Mod implements the circuitry required to transmit the Printer Long Line Level (PLLL'), from the 132 Column Printer, through the I/O Exchange to the Model 3 I/O Control Unit.

The PLLL' level is used in the Model 3 I/O Control Unit to differentiate the 132 Column Printers from the 120 Column Printers.

In order to accomplish this purpose the following steps must be taken.

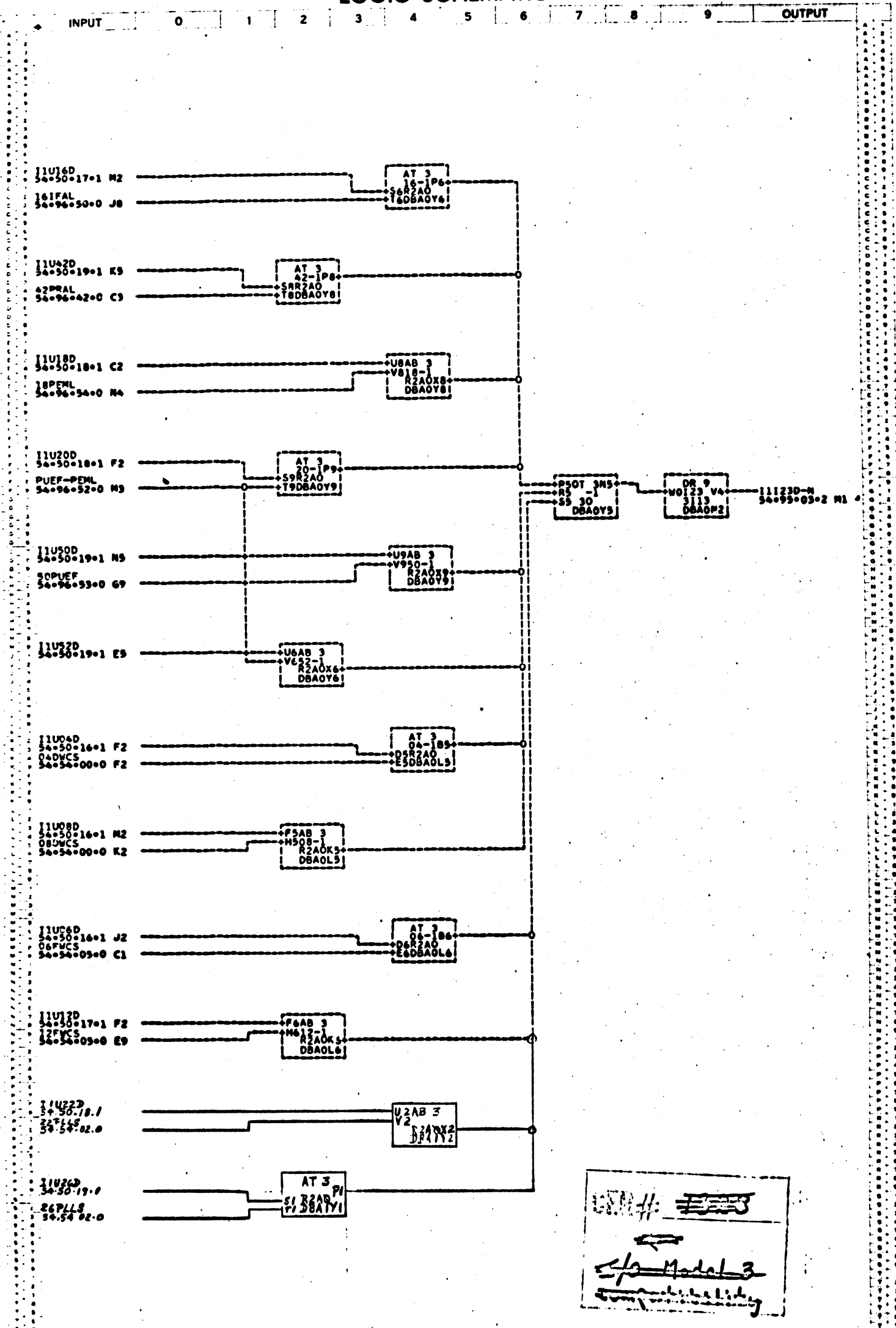
STEP 1. Make wiring changes as noted in C/L B11209814. Schematics H11209806 have been marked to reflect these changes.

STEP 2. Make the following pluggable changes:

REMOVE			INSTALL	
Location	Elem Type	Part No.	Elem Type	Part No.
DBA1Y1	A 3	80188-25	A 3	80188-29
DBA1Y2	A 3	80188-20	A 3	80188-29
DBB1Y1	A 3	80188-25	A 3	80188-29
DBB1Y2	A 3	80188-20	A 3	80188-29
DBC1Y1	A 3	80188-25	A 3	80188-29
DBC1Y2	A 3	80188-20	A 3	80188-29
DBD1Y1	A 3	80188-25	A 3	80188-29
DBD1Y2	A 3	80188-20	A 3	80188-29

Note: All added Diode Sticks (80188-29) are to be cut at A, 3 and B.

LOGIC SCHEMATIC



CC 132 C/L PRINTER M/D

H-11209806-A PAGE 1 OF 9

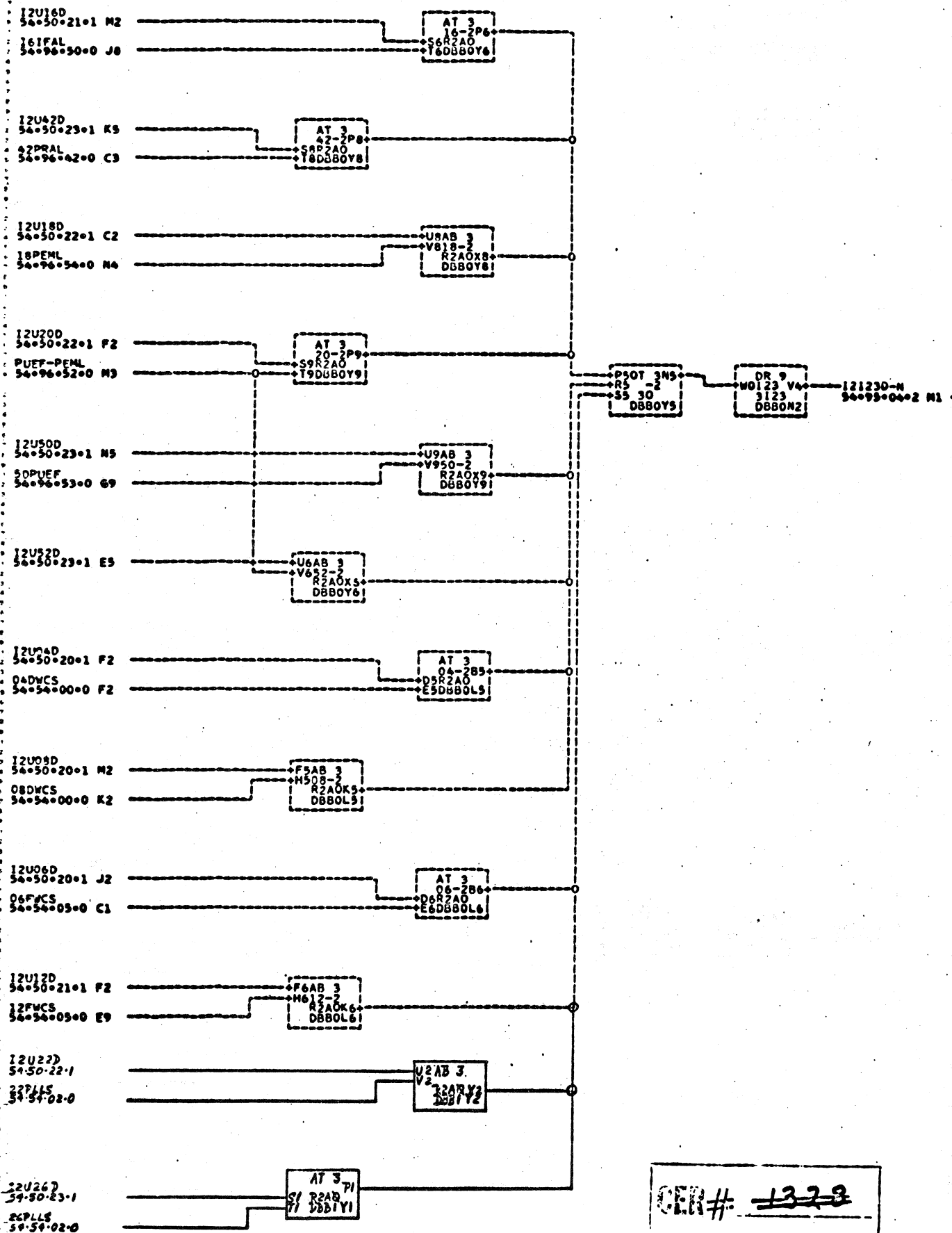
U 2 TITLE	NON-TAPE INPUT CONTROL 11123D	H-	-1199600000	U 2
U 4 DRAWN BY	R M WENTSEL	CHECKED BY	D POHLMAN	U 4
U 6 UNIT NAME	CENTRAL CONTROL MODEL 2	UNIT NO	11210523	U 6
U 8 SYSTEM	B5000	PAGE NO	54-99-02-1	U 8

BURROUGHS CORPORATION
 ELECTRODATA DIV. PASADENA, CALIFORNIA
PROPERTY OF BURROUGHS CORPORATION... NOT TO BE REPRODUCED, FOR USE FOR MANUFACTURING PURPOSES, EXCEPT ON BURROUGHS ORDER OR PRIOR WRITTEN CONSENT.

ER-1685A MAR 23 1963

LOGIC SCHEMATIC

INPUT 0 1 2 3 4 5 6 7 8 9 OUTPUT

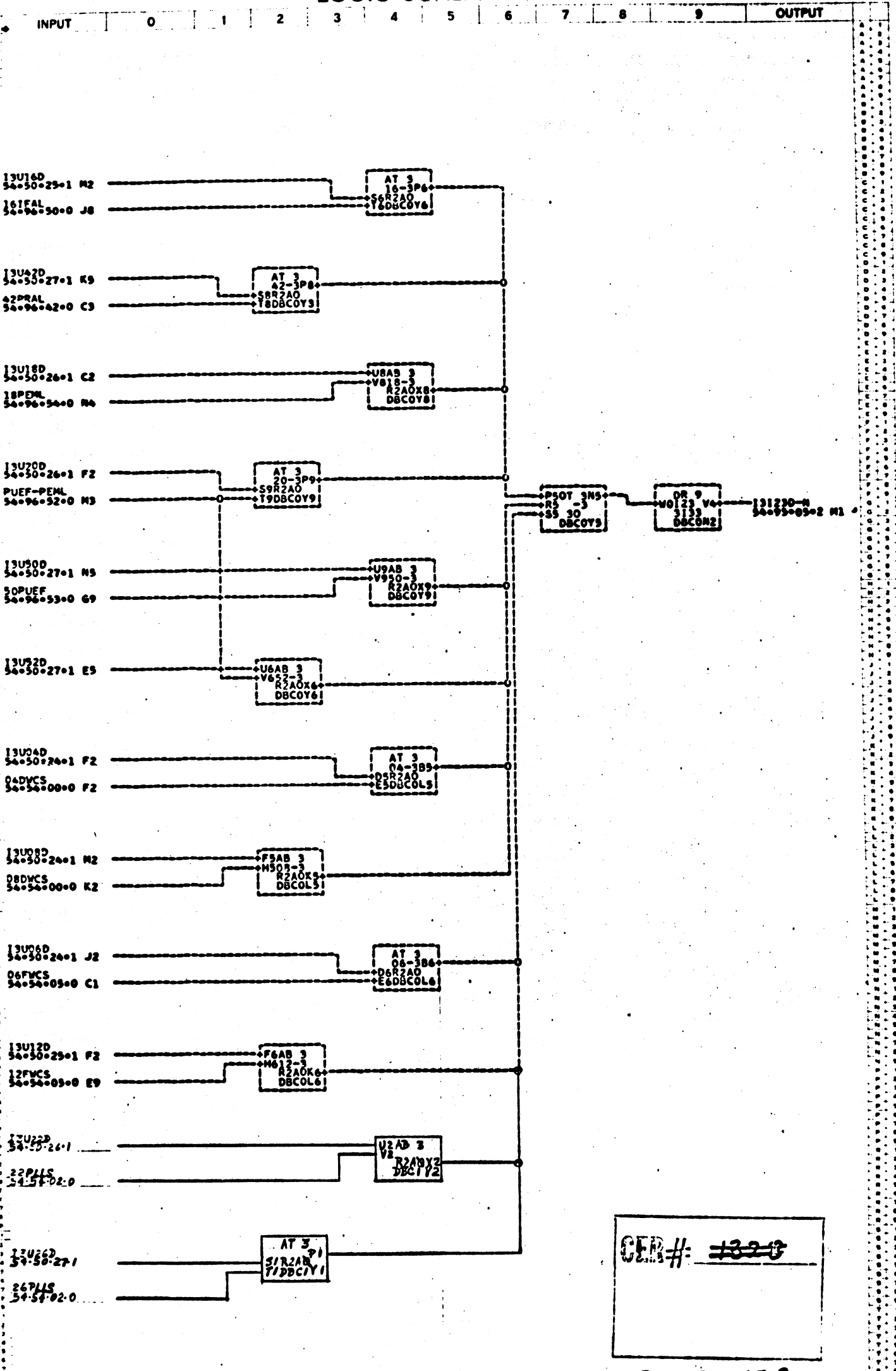


GEN# 1328

CC 132 COL PRINTER MID H-11209806-A PAGE 2 OF 9

INPUT	0	1	2	3	4	5	6	7	8	9	OUTPUT
U 2 TITLE	NON-TAPE INPUT CONTROL 12123D										U 2
U 4 DRAWN BY	R W WENTSEL										U 4
U 6 UNIT NAME	CENTRAL CONTROL MODEL 2										U 6
U 8 SYSTEM	B9000										U 8
					H-11209806-A 11210523 UNIT NO. 11210523 PAGE NO. 04-02-01					BURROUGHS CORPORATION ELECTRODATA DIV. PASADENA, CALIFORNIA <small>PROPERTY OF BURROUGHS CORPORATION. NOT TO BE REPRODUCED, NOR USED FOR MANUFACTURING PURPOSES, EXCEPT ON BURROUGHS ORDER OR PRIOR WRITTEN CONSENT.</small>	

LOGIC SCHEMATIC



SER # 1323

CC 132 COL PRINTER MID

H-11209806-A

PAGE 8 OF 9

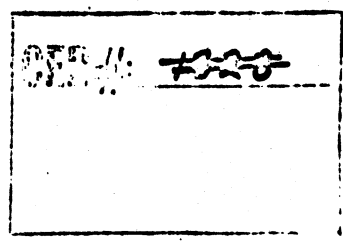
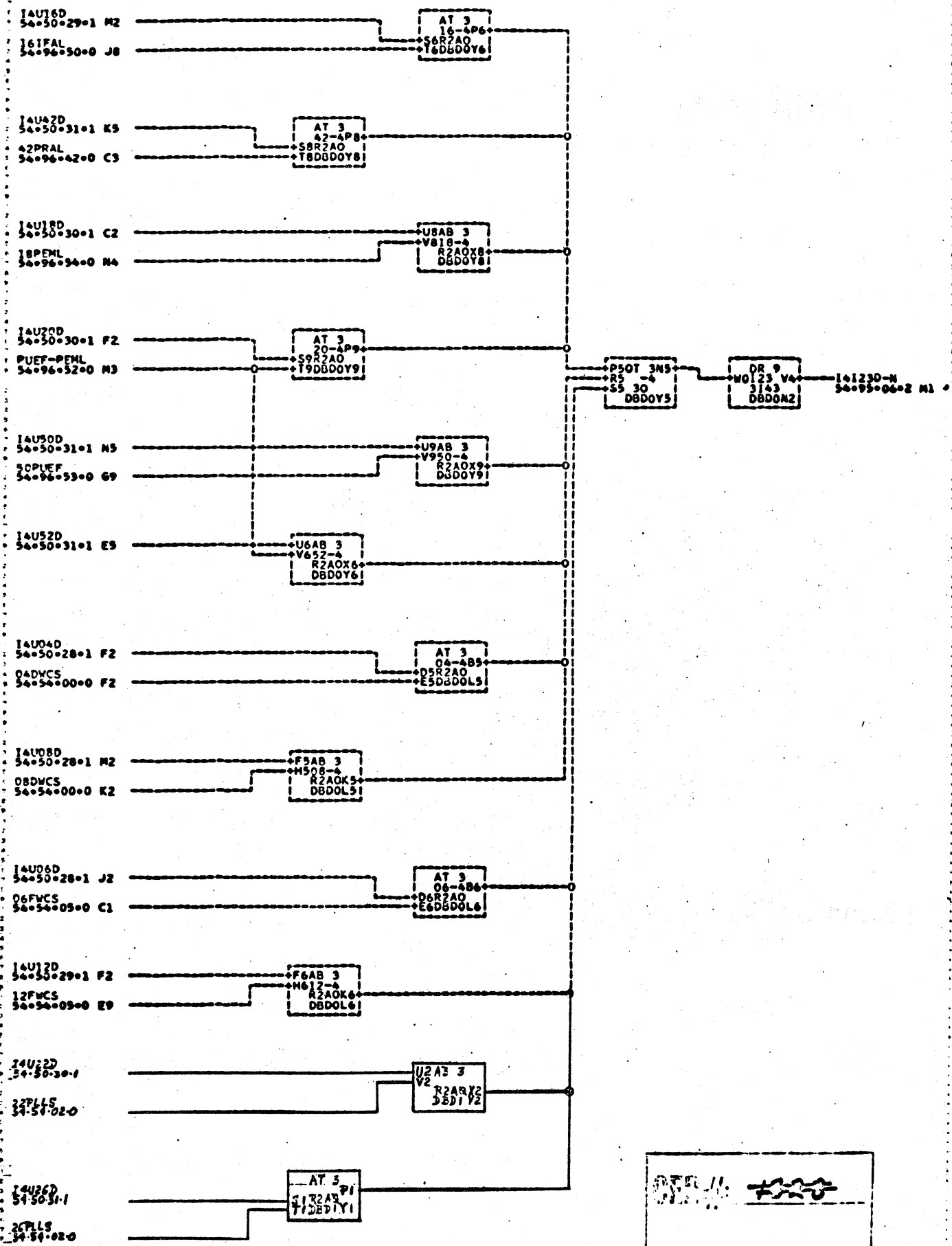
INPUT	0	1	2	3	4	5	6	7	8	9	OUTPUT
U 2 TITLE NON-TAPE INPUT CONTROL 13123D											
U 4 DRAWN BY R W WENTSEL											
U 6 UNIT NAME CENTRAL CONTROL MODEL 2											
U 8 SYSTEM B9000											

BURROUGHS CORPORATION
 ELECTRODATA DIV. PASADENA, CALIFORNIA
PROPERTY OF BURROUGHS CORPORATION. NOT TO BE REPRODUCED, NOR USED FOR MANUFACTURING PURPOSES, EXCEPT ON BURROUGHS ORDER OR FROM WRITTEN CONSENT.

U 2
U 4
U 6
U 8

LOGIC SCHEMATIC

INPUT 0 1 2 3 4 5 6 7 8 9 OUTPUT



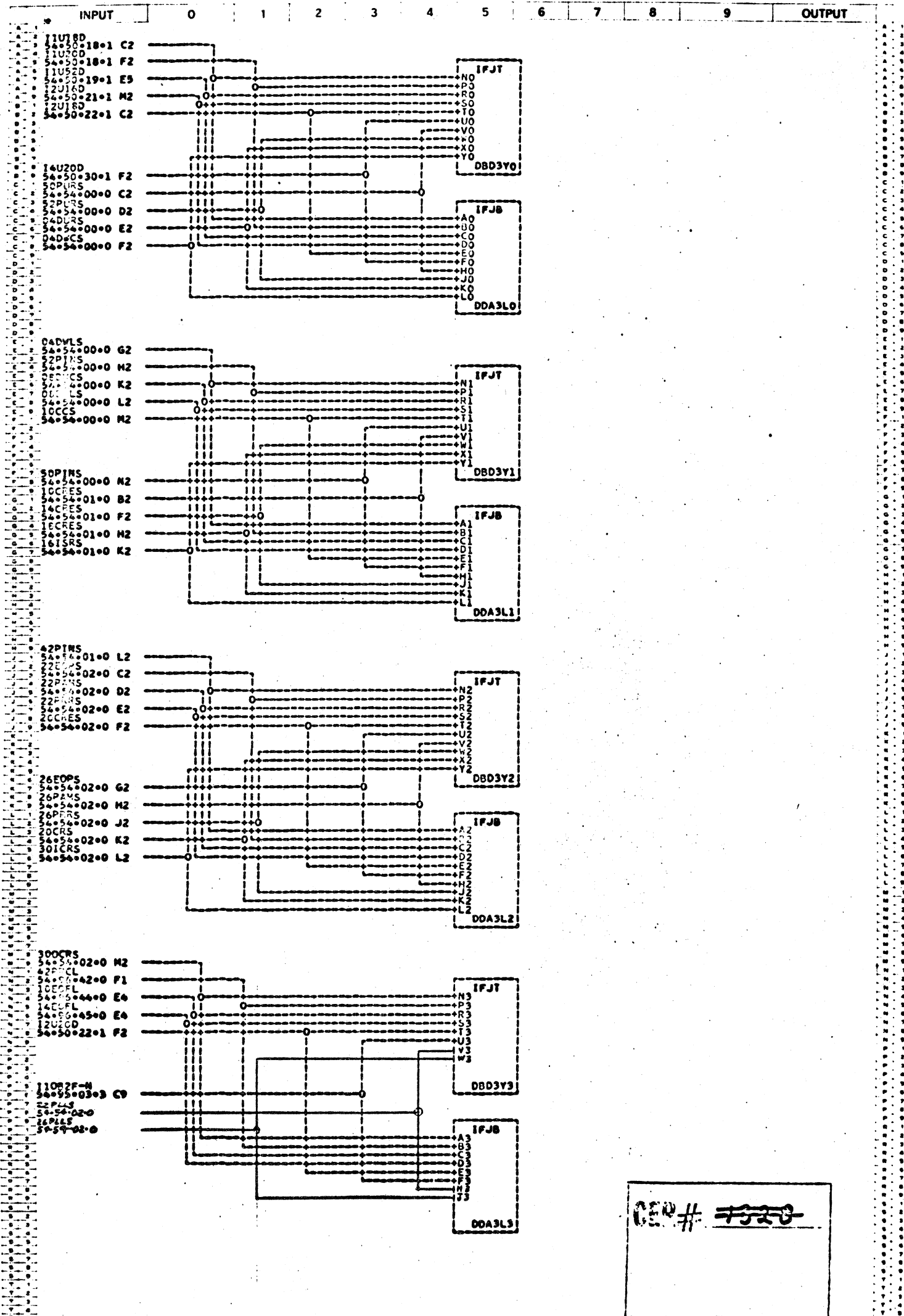
CC 132 COL PRINTER MOD H-11209806-A PAGE 4 OF 9

INPUT	0	1	2	3	4	5	6	7	8	9	OUTPUT
U 2 TITLE NON-TAPE INPUT CONTROL 101230											U 2
U 4 DRAWN BY R W WENTSEL 10-26-61	CHECKED BY D POHLMAN										U 4
U 6 UNIT NAME CENTRAL CONTROL MODEL 2	UNIT NO 11210523										U 6
U 8 SYSTEM B5000	PAGE NO 44-99-02-1										U 8

BURROUGHS CORPORATION
ELECTRODATA DIV. PASADENA, CALIFORNIA

PROPERTY OF BURROUGHS CORPORATION... NOT TO BE REPRODUCED, FOR USE FOR MANUFACTURING PURPOSES, EXCEPT ON BURROUGHS ORDER OR PRIOR WRITTEN CONSENT.

LOGIC SCHEMATIC



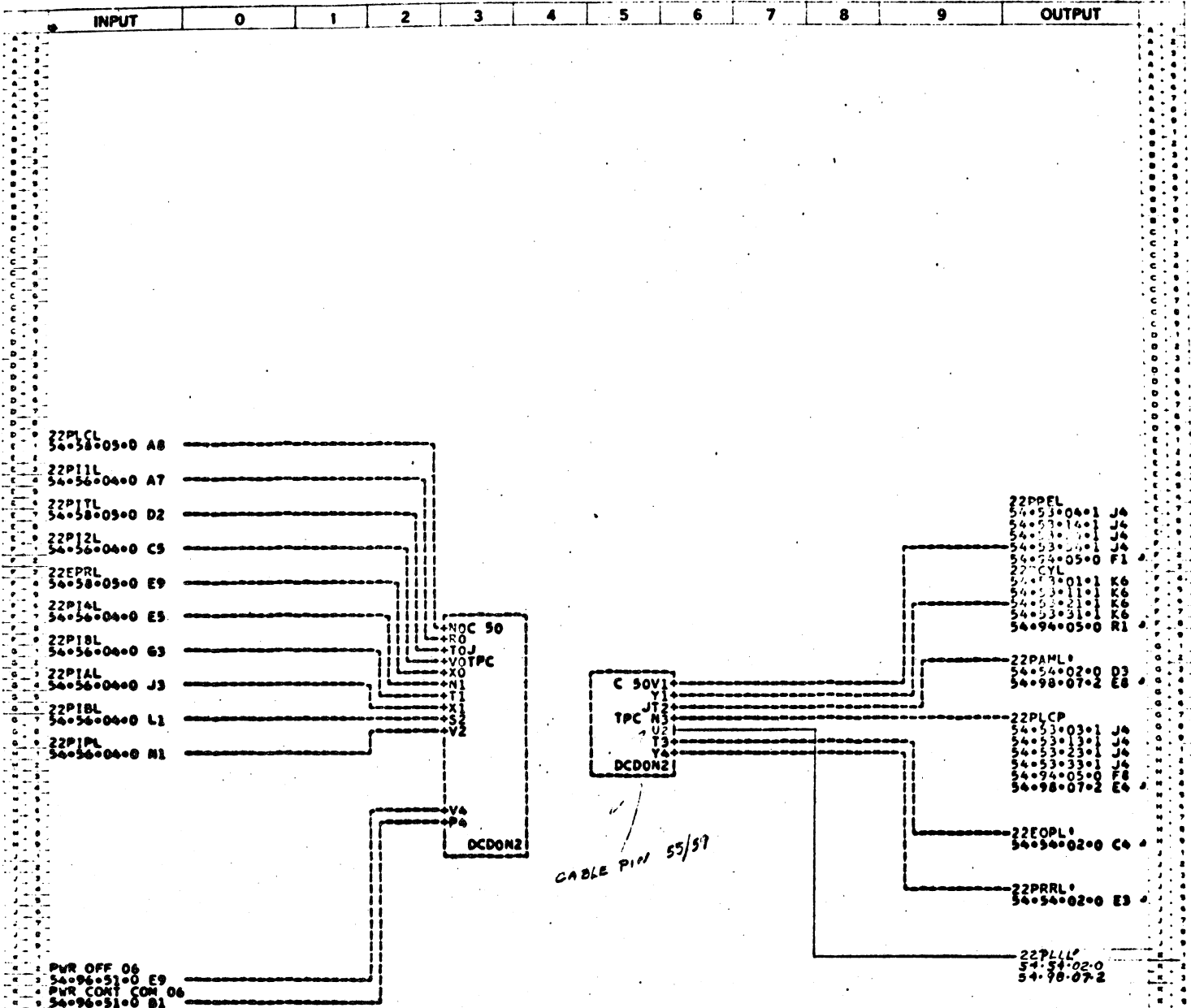
GEN # 1520

CC 132 COL PRINTER MOD H-11209006-A
PAGE 6 OF 9

INPUT	0	1	2	3	4	5	6	7	8	9	OUTPUT
U 2 TITLE INTER FRAME JUMPERS											
U 4 DRAWN BY TOM JONES 9-28-62											
U 6 UNIT NAME CENTRAL CONTROL MODEL 2											
U 8 SYSTEM B8000											

BURROUGHS CORPORATION ELECTRODATA DIV. PASADENA, CALIFORNIA
PROPERTY OF BURROUGHS CORPORATION. NOT TO BE REPRODUCED, NOR USED FOR MANUFACTURING PURPOSES, EXCEPT ON BURROUGHS ORDER OR PRIOR WRITTEN CONSENT.

LOGIC SCHEMATIC



CER # 1121

CC 132 CAL PRINTER MOD
H-11209806-A
PAGE 7 OF 9

INPUT	0	1	2	3	4	5	6	7	8	9	OUTPUT
U 2 TITLE 22 DRUM PRINTER (20-1)											
U 4 DRAWN BY R W WENTSEL											
U 6 UNIT NAME CENTRAL CONTROL MODEL 2											
U 8 SYSTEM B3000											

H- 11209806-A	BURROUGHS CORPORATION ELECTRODATA DIV., PASADENA, CALIFORNIA	U 2
11210523	PROPERTY OF BURROUGHS CORPORATION - NOT TO BE REPRODUCED, NOR USED FOR MANUFACTURING PURPOSES, EXCEPT ON BURROUGHS ORDER OR PRIOR WRITTEN CONSENT.	U 4
PAGE NO. 11210523	11210523	U 6
		U 8

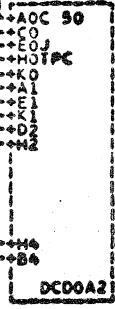
100 107-1 REV 6-60

LOGIC SCHEMATIC

INPUT	0	1	2	3	4	5	6	7	8	9	OUTPUT
-------	---	---	---	---	---	---	---	---	---	---	--------

26PLCL
 54-58-05-0 M4
 26PILL
 54-56-05-0 A7
 26PITL
 54-58-05-0 K8
 26PI2L
 54-56-05-0 C5
 26PDPL
 54-58-05-0 M5
 26PIAL
 54-56-05-0 E5
 26PISL
 54-56-05-0 G3
 26PIAL
 54-56-05-0 J3
 26PISL
 54-56-05-0 L1
 26PIPL
 54-56-05-0 N1

PWR OFF 06
 54-96-51-0 ES
 PWR CONT COM 06
 54-96-51-0 B1



26PPEL
 54-53-04-1 K6
 54-53-04-1 K6
 54-53-04-1 K6
 54-53-04-1 K6
 54-94-05-0 G1
 54-53-01-1 L8
 54-53-01-1 L8
 54-53-01-1 L8
 54-94-05-0 R3

26PAML
 54-54-02-0 M3
 54-98-07-2 F1

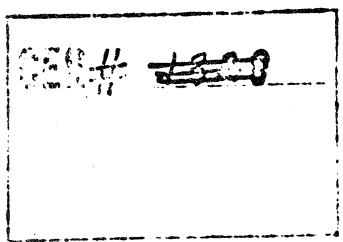
26PLCP
 54-53-03-1 K6
 54-53-03-1 K6
 54-53-03-1 K6
 54-53-03-1 K6
 54-94-05-0 G3
 54-98-07-2 E6

26EOPL
 54-94-02-0 G4

26PRRL
 54-94-02-0 J3

26PLLL
 54-54-02-0
 54-98-07-0

CABLE PIN 55/59



CC 132 COL PRINTER MOD

H-11209806-A

PAGE 8 OF 9

INPUT	0	1	2	3	4	5	6	7	8	9	OUTPUT
-------	---	---	---	---	---	---	---	---	---	---	--------

U 2 TITLE 26 DRUM PRINTER (20-21)
 U 4 DRAWN BY R W WENTSEL
 U 6 UNIT NAME CENTRAL CONTROL MODEL 2
 U 8 SYSTEM 85000

H- 0000000000
 CHECKED BY D FOHLMAN
 UNIT NO 11210523
 PAGE NO 8-8-8-8

BURROUGHS CORPORATION
 ELECTRODATA DIV. PASADENA, CALIFORNIA

PROPERTY OF BURROUGHS CORPORATION - NOT TO BE REPRODUCED, NOR USED FOR MANUFACTURING PURPOSES, EXCEPT ON BURROUGHS ORDER OR PRIOR WRITTEN CONSENT.

U 2
 U 4
 U 6
 U 8

