

B5500 CENTRAL CONTROL

3 Density Drive Holdover  
Module

Burroughs Corporation ELECTRODATA M & E DIVISION PASADENA CALIFORNIA		CHANGE SHEET			A- 11210580		REV. A
		TITLE INSTRUCTIONS - CC "E" RACK 3 DENSITY DRIVE HOLDOVER MOD			PAGE 1 OF 4		
REV. LTR.	CONT. DOC. & NO.	DFT-MAN	CHKR.	APP'D BY & DATE	PAGE	LINE OR P.	REVISION DESCRIPTION
A	ER 1687	TJ	<i>[Signature]</i>	<i>[Signature]</i> 7-7-68			RELEASED

Burroughs Corporation ELECTRODATA M & E DIVISION PASADENA CALIFORNIA	PREPARED BY T. J. Jones	APPROVED D. T. Kielty	DWG NO A11210580	A REV
	CHECKED BY F.	PROJ ENGR E. A. Hauck	PAGE 2 cont on 3	
PROPERTY OF BURROUGHS CORPORATION NOT TO BE REPRODUCED NOR USED FOR MANUFACTURING PURPOSES EXCEPT ON BURROUGHS ORDER OR PRIOR WRITTEN CONSENT			TITLE Instructions - CC "E" Rack 3 Density Drive Holdover Mod TYPED DRAWING FORM	

PURPOSE: The 3 Density Drive Holdover Mod adds two (2) new input lines to the Tape Transport interface through the I/O Exchange.

The new signal lines added are the Tape Very High Density Level (THVL'), and the Tape Standard Index Level (TSIL'). The THVL' level is required by the Model 3 I/O Control Unit in order to provide for density operation while TSIL' provides the control necessary for drive holdover operation of the Tape Transports.

The following steps must be performed in order that the above mentioned purposes can be affected.

- STEP 1. Make wiring changes as shown in C/L H11205309. Schematics H11205291 have been marked to reflect these changes.
- STEP 2. Make the following pluggable changes:

Location	REMOVE		INSTALL	
	Elem Type	Part No.	Elem Type	Part No.
EEA1Y1	TBR	11900768		
EEB1I0	TBR	11900768		
EEC1I0	TBR	11900768		
EED1I0	TBR	11900768		
EED1I5	TBR	11900768		
ECA6I0	A 3	80188-29		
ECA6Y0	A 3	80188-29		
ECA6Y1	A 3	80188-29		
ECA6Y2	A 3	80188-29		
ECA6Y3	ØT 3	11832698-04		
ECA6Y4	A 3	80188-29		
ECA6Y5	A 3	80188-29		
ECA6Y6	A 3	80188-29		
ECA6Y7	A 3	80188-29		
ECB5Y9	A 3	80188-29		
ECB6Y0	A 3	80188-29		
ECB6Y1	A 3	80188-29		
ECB6Y2	A 3	80188-29		
ECB6Y3	ØT 3	11832698-04		
ECB6Y4	A 3	80188-29		
ECB6Y5				

<b>Burroughs Corporation</b> ELECTRODATA M & E DIVISION PASADENA CALIFORNIA <small>PROPERTY OF BURROUGHS CORPORATION. NOT TO BE REPRODUCED NOR USED FOR MANUFACTURING PURPOSES EXCEPT BY BURROUGHS ORDER OR PRIOR WRITTEN CONSENT.</small>	PREPARED BY <b>T. J. Jones</b>	APPROVED <b>D. T. Kielty</b>	DWG NO <b>A 11210580</b>	A REV
	CHECKED BY <b>E. A. Hauck</b>	PROJ ENGR <b>E. A. Hauck</b>	PAGE 3 cont on 4	
TITLE <b>Instructions - CC "E" Rack 3 Density Drive Holdover Mod</b>				

<b>Burroughs Corporation</b> ELECTRODATA M & E DIVISION PASADENA CALIFORNIA <small>PROPERTY OF BURROUGHS CORPORATION. NOT TO BE REPRODUCED NOR USED FOR MANUFACTURING PURPOSES EXCEPT BY BURROUGHS ORDER OR PRIOR WRITTEN CONSENT.</small>	PREPARED BY <b>T. J. Jones</b>	APPROVED <b>D. T. Kielty</b>	DWG NO <b>A 11210580</b>	A REV
	CHECKED BY <b>E. A. Hauck</b>	PROJ ENGR <b>E. A. Hauck</b>	PAGE 4 of Final	
TITLE <b>Instructions - CC "E" Rack 3 Density Drive Holdover Mod</b>				

STEP 2 (Cont)

Location	REMOVE		INSTALL	
	Elem Type	Part NO.	Elem Type	Part NO.
ECB6Y6			A 3	80188-29
ECB6Y7			A 3	80188-29
ECC6Y9			A 3	80188-29
ECC6Y0			A 3	80188-29
ECC6Y1			A 3	80188-29
ECC6Y2			A 3	80188-29
ECC6Y3			A 3	80188-29
ECC6Y4			A 3	80188-29
ECC6Y5			ØT 3	11832698-04
ECC6Y6			A 3	80188-29
ECC6Y7			A 3	80188-29
EDCOY0			A 3	80188-29
EDCOY1			A 3	80188-29
EDCOY2			A 3	80188-29
EDCOY3			A 3	80188-29
EDCOY4			A 3	80188-29
EDCOY5			ØT 3	11832698-04
EDCOY6			A 3	80188-29
EDCOY7			A 3	80188-29
EDCOY8			A 3	80188-29
EDA3Y5			A 3	80188-29
EDA3Y6			A 3	80188-29
EDA3Y7			A 3	80188-29
EDA3Y8			A 3	80188-29
EDA3Y9			A 3	80188-29
EDA4Y0			ØB 3	11832698-04
EDA4Y1			A 3	80188-29
EDA4Y2			A 3	80188-29
EDA4Y3			A 3	80188-29
EDB3Y5			A 3	80188-29
EDB3Y6			A 3	80188-29
EDB3Y7			A 3	80188-29
EDB3Y8			A 3	80188-29
EDB3Y9			A 3	80188-29
EDB4Y0			ØB 3	11832698-04
EDB4Y1			A 3	80188-29
EDB4Y2			A 3	80188-29
EDB4Y3			A 3	80188-29
EDC3L5			A 3	80188-29
EDC3L6			A 3	80188-29
EDC3L7			A 3	80188-29
EDC3L8			A 3	80188-29
EDC3Y5			A 3	80188-29
EDC3Y6			ØT 3	11832698-04
EDC3Y7			A 3	80188-29
EDC3Y8			A 3	80188-29
EDC3Y9			A 3	80188-29
EDC4Y4			A 3	80188-29

STEP 2(Cont);

Location	REMOVE		INSTALL	
	Elem Type	Part No.	Elem Type	Part No.
EDC4Y5			A 3	80188-29
EDC4Y6			A 3	80188-29
EDC4Y7			A 3	80188-29
EDC4Y8			A 3	80188-29
EDC4Y9			A 3	80188-29
EDD4L6			ØT 3	11832698-04
EDD4L7			A 3	80188-29
EDD4L8			A 3	80188-29
EDDOY7			IFJT	11881067
EFAOL7			IFJB	"
EDDOY8			IFJT	11881067
EFAOL8			IFJB	"
EDDOY9			IFJT	11881067
EFAOL9			IFJB	"

Note: All added Diode Sticks (80188-29) are to be cut at A, 3 & B.

All added "OR" Sticks (11832698-04) are to be cut at 3.

# TRANSCRIPTION FORM

## CHANGE LIST

25 WIRES

CIRCUIT NO.	CIRCUIT CONT. NO.	FROM					TO					GROUPS 1 & 2				WIRE SEQ NO.	WIRE SIZE AND TYPE	LENGTH OF WIRE	ADDED INFORMATION	STATUS	PATTERN	ROTATION	CONTROL	FORCE
		LOCATION	ELEMENT TYPE	Z	LOCATION	ELEMENT TYPE	Z	PIVOT 1		PIVOT 2		SHIELD WIRE "FROM" PIN	SHIELD WIRE "TO" PIN											
								OTHER GROUPS																
5553870B4	1	5000	EDA3P6A	31	EDA3S5A	31																4		
	2	5010	EDA3S5A	32	EDA3V5A	32																4		
	3	5020	EDA3V5A	31	EDA3X6A	31																4		
	4	5030	EDA3X6A	32	EDA3U90B	32																4		
5553870E8	1	5000	EDA3P8A	31	EDA3S7A	31																4		
	2	5010	EDA3S7A	32	EDA3V7A	32																4		
	3	5020	EDA3V7A	31	EDA3X8A	31																4		
	4	5030	EDA3X8A	32	EDA3V90B	32																4		
5553870J2	1	5000	EDA4P1A	31	EDA4S0A	31																4		
	2	5010	EDA4S0A	32	EDA4V0A	32																4		
	3	5020	EDA4V0A	31	EDA4X1A	31																4		
	4	5030	EDA4X1A	32	EDA3W90B	32																4		
5553870M5	1	5000	EDA4P3A	31	EDA4S2A	31																4		
	2	5010	EDA4S2A	32	EDA4V2A	32																4		
	3	5020	EDA4V2A	31	EDA4X3A	31																4		
	4	5030	EDA4X3A	32	EDA3X90B	32																4		
5553870H27	1	5000	EDA3Y90B	31	EDA3W0DR	91																4		
5553880B4	1	5000	EDB3P6A	31	EDB3S5A	31																4		
	2	5010	EDB3S5A	32	EDB3V5A	32																4		
	3	5020	EDB3V5A	31	EDB3X6A	31																4		
	4	5030	EDB3X6A	32	EDB3U92B	32																4		
5553880E8	1	5000	EDB3P8A	31	EDB3S7A	31																4		
	2	5010	EDB3S7A	32	EDB3V7A	32																4		
	3	5020	EDB3V7A	31	EDB3X8A	31																4		
	4	5030	EDB3X8A	32	EDB3V92E	32																4		



# TRANSCRIPTION FORM

## CHANGE LIST

25 WIRES

CIRCUIT NO.	CIRCUIT CONT. NO.	FROM				TO				GROUP	GROUPS 1 & 2				WIRE SEQ NO.	WIRE SIZE AND TYPE	LENGTH OF WIRE	ADDED INFORMATION	STATUS	PATTERN	ROTATION	CONTROL	FORCE				
		LOCATION	ELEMENT TYPE	Z		LOCATION	ELEMENT TYPE	Z			PIVOT 1	PIVOT 2	OTHER GROUPS														
											SHIELD "FROM" PIN	WIRE PIN	SHIELD WIRE "TO" PIN	WIRE PIN													
5553900B41	5000	EDC4P5A			31	EDC4S4A																		4			
		5010	EDC4S4A			32	EDC4V4A																		4		
		5020	EDC4V4A			31	EDC4X5A																		4		
		5030	EDC4X5A			32	EDD4B6ØT																		4		
5553900E81	5000	EDC4P7A			31	EDC4S6A																			4		
		5010	EDC4S6A			32	EDC4V6A																		4		
		5020	EDC4V6A			31	EDC4X7A																		4		
		5030	EDC4X7A			32	EDD4C6ØT																		4		
5553900J21	5000	EDC4P9A			31	EDC4S8A																			4		
		5010	EDC4S8A			32	EDC4V8A																			4	
		5020	EDC4V8A			31	EDC4X9A																			4	
		5030	EDC4X9A			32	EDD4D6ØT																			4	
5553900M51	5000	EDD4B8A			31	EDD4D7A																			4		
		5010	EDD4D7A			32	EDD4H7A																			4	
		5020	EDD4H7A			31	EDD4K8A																			4	
		5030	EDD4K8A			32	EDD4E6ØT																			4	
5553900G87	5000	EDD4A6ØT			31	EDD4J0DR																				4	
5553910B41	5000	ECA6P0A			31	ECA6D0A																				4	
		5010	ECA6D0A			32	ECA6H0A																				4
		5020	ECA6H0A			31	ECA6X0A																				4
		5030	ECA6X0A			32	ECA6P3ØT																				4
5553910E81	5000	ECA6P2A			31	ECA6S1A																				4	
		5010	ECA6S1A			32	ECA6V1A																				4
		5020	ECA6V1A			31	ECA6X2A																				4
		5030	ECA6X2A			32	ECA6R3ØT																				4



# TRANSCRIPTION FORM

~~CHANGE~~ LIST

CIRCUIT NO.	CIRCUIT CONT. NO.	FROM		TO		GROUPS 1 & 2						WIRE SEQ. NO.	WIRE SIZE AND TYPE	LENGTH OF WIRE	ADDED INFORMATION	STATUS	PATTERN	ROTATION	CONTROL	FORCE																				
		LOCATION	ELEMENT TYPE	Z	LOCATION	ELEMENT TYPE	Z	PIVOT 1		PIVOT 2																														
								SHIELD WIRE "FROM" PIN	SHIELD WIRE "TO" PIN	OTHER GROUPS																														
10	11	14	15	20	21	24	25	26	31	32	35	36	37	38	42	43	47	48	52	53	56	57	59	60	70	71	72	73	74	75	76	80								
5553930B41	5000	ECC6P0A	31	ECC6S9A	31																															4				
	5010	ECC6S9A	32	ECC6V9A	32																															4				
	5020	ECC6V9A	31	ECC6X0A	31																															4				
	5030	ECC6X0A	32	ECC6P40T	32																															4				
5553930E81	5000	ECC6P2A	31	ECC6S1A	31																															4				
	5010	ECC6S1A	32	ECC6V1A	32																																4			
	5020	ECC6V1A	31	ECC6X2A	31																																4			
	5030	ECC6X2A	32	ECC6R40T	32																																4			
5553930J21	5000	ECC6P5A	31	ECC6S3A	31																																4			
	5010	ECC6S3A	32	ECC6V3A	32																																	4		
	5020	ECC6V3A	31	ECC6X5A	31																																	4		
	5030	ECC6X5A	32	ECC6S40T	32																																	4		
5553930M51	5000	ECC6P7A	31	ECC6S6A	31																																	4		
	5010	ECC6S6A	32	ECC6V6A	32																																	4		
	5020	ECC6V6A	31	ECC6X7A	31																																		4	
	5030	ECC6X7A	32	ECC6T40T	32																																		4	
5553930G87	5000	ECC6N40T	31	ECC6J5DR	91																																	4		
5553940B41	5000	EDCOP1A	31	EDCOS0A	31																																	4		
	5010	EDCOS0A	32	EDCOV0A	32																																		4	
	5020	EDCOV0A	31	EDCOX1A	21																																		4	
	5030	EDCOX1A	32	EDCOP40T	32																																		4	
5553940E81	5000	EDCOP3A	31	EDCOS2A	31																																		4	
	5010	EDCOS2A	32	EDCOV2A	32																																		4	
	5020	EDCOV2A	31	EDCOX3A	31																																		4	
	5030	EDCOX3A	32	EDCOR40T	32																																			4







































**TRANSCRIPTION FORM**  
~~CHANGE~~ ~~CIRCUIT~~ LIST

CIRCUIT NO.	CIRCUIT CONT. NO.	FROM				TO				GROUP NO.	GROUPS 1 & 2						WIRE SEQ. NO.	WIRE SIZE AND TYPE	LENGTH OF WIRE	ADDED INFORMATION	STATUS	PATTERN	ROTATION	CONTROL	FORCE	
		LOCATION	ELEMENT TYPE	Z	LOCATION	ELEMENT TYPE	Z	PIVOT 1			PIVOT 2		OTHER GROUPS		WIRE TO PIN	WIRE FROM PIN										
								SHIELD WIRE	WIRE		SHIELD WIRE	WIRE	SHIELD WIRE	WIRE												
																										FROM
17THVL	5596331L35	5000	E E C O B	3 C	501	E E C I B	O T B R													4						
		5010	E E C I B	O T B R	2	E E C 4 L	O L W T P	2													4					
		5020	E E C 4 L	O L W T P	1	E F A O E	8 I F J B	1													4					
		5030	E F A O E	8 I F J B	2	E D D O T	8 I F J T	2													4					
		5040	E D D O T	8 I F J T	1	E D C 4 P	8 A														4					
		5050	E D C 4 P	8 A		3	2	E D C 3 P	6 A												4					
		5060	E D C 3 P	6 A		3	1	E D B 4 P	0 A												4					
5070	E D B 4 P	0 A		3	2	E D A 4 P	0 A												4							
19THVL	5596341L35	5000	E E C O B	8 C	501	E E C I D	O T B R													4						
		5010	E E C I D	O T B R	2	E E C 4 L	L I L W T P	2												4						
		5020	E E C 4 L	L I L W T P	1	E F A O H	8 I F J B	1												4						
		5030	E F A O H	8 I F J B	2	E D D O V	8 I F J T	2												4						
		5040	E D D O V	8 I F J T	1	E D C F U	8 A														4					
		5050	E D C F U	8 A		3	2	E D C 3 U	6 A												4					
		5060	E D C 3 U	6 A		3	1	E D B 4 U	0 A												4					
5070	E D B 4 U	0 A		3	2	E D A 4 U	0 A												4							
21THVL	5596351L35	5000	E E C O P	3 C	501	E E C I F	O T B R													4						
		5010	E E C I F	O T B R	2	E E C 4 L	3 L W T P	2												4						
		5020	E E C 4 L	3 L W T P	1	E F A O K	8 I F J B	1												4						
		5030	E F A O K	8 I F J B	2	E D D O X	8 I F J T	2												4						
		5040	E D D O X	8 I F J T	1	E D C F S	9 A														4					
		5050	E D C F S	9 A		3	2	E D C 3 S	7 A												4					
		5060	E D C 3 S	7 A		3	1	E D B F S	1 A												4					
5070	E D B F S	1 A		3	2	E D A F S	1 A												4							
23THVL	5596361L35	5000	E E C O P	8 C	501	E E C I J	O T B R													4						
		5010	E E C I J	O T B R	2	E E C 4 L	4 L W T P	2												4						
		5020	E E C 4 L	4 L W T P	1	E F A O A	9 I F J B	1												4						
		5030	E F A O A	9 I F J B	2	E D D O N	9 I F J T	2												4						
		5040	E D D O N	9 I F J T	1	E D C F U	9 A														4					
		5050	E D C F U	9 A		3	2	E D C 3 U	7 A												4					
		5060	E D C 3 U	7 A		3	1	E D B 4 U	1 A												4					
5070	E D B 4 U	1 A		3	2	E D A 4 U	1 A												4							

COMPILED BY	DATE	APPROVED BY	DATE	CHECKED BY	DATE	UNIT NO.	UNIT NAME	CHANGE ORDER LIST NO.	REV.
D. A. SHEPHERD	4-30-65					11210531	3 DENSITY - DRIVE HOLD OVER - MCD. "E RACK"	B-11205309	8



# TRANSCRIPTION FORM

## CHANGE LIST

32 WIRES

CIRCUIT NO.	CIRCUIT CONT. NO.	FROM			TO			GROUP	GROUPS 1 & 2				WIRE SEQ NO.	WIRE SIZE AND TYPE	LENGTH OF WIRE	ADDED INFORMATION	STATUS	PATTERN	ROTATION	CONTROL	FORCE	
		LOCATION	ELEMENT TYPE	Z	LOCATION	ELEMENT TYPE	Z		PIVOT 1	PIVOT 2	OTHER GROUPS											
											SHIELD WIRE FROM PIN	SHIELD WIRE TO PIN										
05TSIL 5596251L55		5000	EEA0E3C	501	EEAIR1TBR	1															4	
		5010	EEAIR1TBR	2	EEA4A4LWTP	2																4
		5020	EEA4A4LWTP	1	EFA0B7IFJB	1																4
		5030	EFA0B7IFJB	2	EDDOP7IFJT	2	5															4
		5040	EDDOP7IFJT	1	EDCOP0A	3	1															4
		5050	EDCOP0A	3	ECC5P9A	3	2															4
		5060	ECC5P9A	3	ECB5P9A	3	1															4
		5070	ECB5P9A	3	2															4		
05TSIL 5596271L55		5000	EEA0T3C	501	EEAIT1TBR	1															4	
		5010	EEAIT1TBR	2	EEA4A3LWTP	2															4	
		5020	EEA4A3LWTP	1	EFA0D7IFJB	1															4	
		5030	EFA0D7IFJB	2	EDDOS7IFJT	2	5														4	
		5040	EDDOS7IFJT	1	EDCOS1A	3	1														4	
		5050	EDCOS1A	3	ECC6S0A	3	2														4	
		5060	ECC6S0A	3	ECB6S0A	3	1														4	
		5070	ECB6S0A	3	2														4			
07TSIL 5596281L45		5000	EEA0T8C	501	EEAIVITBR	1															4	
		5010	EEAIVITBR	2	EEA4A1LWTP	2															4	
		5020	EEA4A1LWTP	1	EFA0F7IFJB	1															4	
		5030	EFA0F7IFJB	2	EDDOW7IFJT	2	5														4	
		5040	EDDOW7IFJT	1	EDCOW1A	3	1														4	
		5050	EDCOW1A	3	ECC6U0A	3	2														4	
		5060	ECC6U0A	3	ECB6U0A	3	1														4	
		5070	ECB6U0A	3	2														4			
09TSIL 5596291L45		5000	EEB0E3C	501	EEBICOTBR	1															4	
		5010	EEBICOTBR	2	EEB4N1LWTP	2															4	
		5020	EEB4N1LWTP	1	EFA0J7IFJB	1															4	
		5030	EFA0J7IFJB	2	EDDOW7IFJT	2	5														4	
		5040	EDDOW7IFJT	1	EDCOP2A	3	1														4	
		5050	EDCOP2A	3	ECC6P1A	3	2														4	
		5060	ECC6P1A	3	ECB6P1A	3	1														4	
		5070	ECB6P1A	3	2														4			

COMPILED BY <b>D. A. SHEPHERD</b>	DATE <b>5-3-65</b>	APPROVED BY	DATE	CHECKED BY	DATE	UNIT NO. <b>11210531</b>	UNIT NAME <b>3 DENSITY-DRIVE HOLD-OVER - MOD. "E RACK"</b>	CHANGE LIST NO. <b>B-11205309</b>	REV. <b>B</b>
--------------------------------------	-----------------------	-------------	------	------------	------	-----------------------------	---	--------------------------------------	------------------



# TRANSCRIPTION FORM

CHANGE ~~GROUP~~ LIST

CIRCUIT NO.	CIRCUIT CONT. NO.	FROM						TO						GROUPS 1 & 2						WIRE SEQ NO.	WIRE SIZE AND TYPE	LENGTH OF WIRE	ADDED INFORMATION	STATUS	PATTERN	ROTATION	CONTROL	FORCE																
		LOCATION			ELEMENT TYPE	Z	LOCATION			ELEMENT TYPE	Z	PIVOT 1		PIVOT 2		OTHER GROUPS																												
		SHIELD WIRE FROM PIN		SHIELD WIRE TO PIN			SHIELD WIRE FROM PIN		SHIELD WIRE TO PIN																																			
		10	11	14	15	20	21	24	25	26	31	32	35	36	37	38	42	43	47										48	52	53	56	57	59	60	70	71	72	73	74	75	76	80	
1975L	5596341L55	5000	E	E	C	O	E	8	C	5010	E	E	C	I	E	O	T	B	R	1	1																	4						
		5010	E	E	C	I	E	O	T	B	R	2	E	E	C	H	N	3	L	W	T	P	2	1																	4			
		5020	E	E	C	H	N	3	L	W	T	P	1	E	F	A	O	J	8	I	F	J	B	1	1																	4		
		5020	E	F	A	O	J	8	I	F	J	B	2	E	D	D	O	W	8	I	F	J	T	2	5																			4
		5040	E	D	D	O	W	8	I	F	J	T	1	E	D	C	O	U	5	A	3	1	1																					4
		5050	E	D	C	O	U	5	A	3	2	E	C	C	6	U	3	A	3	2	1																			4				
		5060	E	C	C	6	U	3	A	3	1	E	C	B	6	U	3	A	3	1	1																			4				
		5070	E	C	B	6	U	3	A	3	2	E	C	A	6	U	4	A	3	2	1																		4					
2175L	5596351L55	5000	E	E	C	O	T	3	C	5010	E	E	C	I	H	O	T	B	R	1	1																			4				
		5010	E	E	C	I	H	O	T	B	R	2	E	E	C	H	N	4	L	W	T	P	2	1																			4	
		5020	E	E	C	H	N	4	L	W	T	P	1	E	F	A	O	L	8	I	F	J	B	1	1																			4
		5030	E	F	A	O	L	8	I	F	J	B	2	E	D	D	O	Y	8	I	F	J	T	2	5																			4
		5040	E	D	D	O	Y	8	I	F	J	T	1	E	D	C	O	S	6	A	3	1	1																			4		
		5050	E	D	C	O	S	6	A	3	2	E	C	C	6	S	5	A	3	2	1																			4				
		5060	E	C	C	6	S	5	A	3	1	E	C	B	6	S	5	A	3	1	1																			4				
		5070	E	C	B	6	S	5	A	3	2	E	C	A	6	S	5	A	3	2	1																			4				
2375L	5596361L55	5000	E	E	C	O	T	8	C	5010	E	E	C	I	K	O	T	B	R	1	1																			4				
		5010	E	E	C	I	K	O	T	B	R	2	E	E	C	H	Y	O	L	W	T	P	2	1																			4	
		5020	E	E	C	H	Y	O	L	W	T	P	1	E	F	A	O	B	9	I	F	J	B	1	1																			4
		5030	E	F	A	O	B	9	I	F	J	B	2	E	D	D	O	P	9	I	F	J	T	2	5																			4
		5040	E	D	D	O	P	9	I	F	J	T	1	E	D	C	O	U	6	A	3	1	1																			4		
		5050	E	D	C	O	U	6	A	3	2	E	C	C	6	U	5	A	3	2	1																			4				
		5060	E	C	C	6	U	5	A	3	1	E	C	B	6	U	5	A	3	1	1																			4				
		5070	E	C	B	6	U	5	A	3	2	E	C	A	6	U	5	A	3	2	1																			4				
2575L	5596371L55	5000	E	E	D	O	E	3	C	5010	E	E	D	I	C	O	T	B	R	1	1																				4			
		5010	E	E	D	I	C	O	T	B	R	2	E	E	D	4	Y	1	L	W	T	P	2	1																			4	
		5020	E	E	D	4	Y	1	L	W	T	P	1	E	F	A	O	D	9	I	F	J	B	1	1																			4
		5030	E	F	A	O	D	9	I	F	J	B	2	E	D	D	O	S	9	I	F	J	T	2	5																			4
		5040	E	D	D	O	S	9	I	F	J	T	1	E	D	C	O	P	7	A	3	1	1																			4		
		5050	E	D	C	O	P	7	A	3	2	E	C	C	6	P	6	A	3	2	1																			4				
		5060	E	C	C	6	P	6	A	3	1	E	C	B	6	P	6	A	3	1	1																			4				
		5070	E	C	B	6	P	6	A	3	2	E	C	A	6	P	6	A	3	2	1																			4				

COMPILED BY <b>D.A. SHEPHERD</b>	DATE <b>5-3-65</b>	APPROVED BY	DATE	CHECKED BY	DATE	UNIT NO. <b>11210531</b>	UNIT NAME <b>3 DENSITY-DRIVE HOLDOVER - Mod. "E RACK"</b>	CHANGE <del>GROUPS</del> LIST NO. <b>B-11205309</b>	REV. <b>B</b>
-------------------------------------	-----------------------	-------------	------	------------	------	-----------------------------	--	--	------------------

# TRANSCRIPTION FORM

## CHANGE LIST

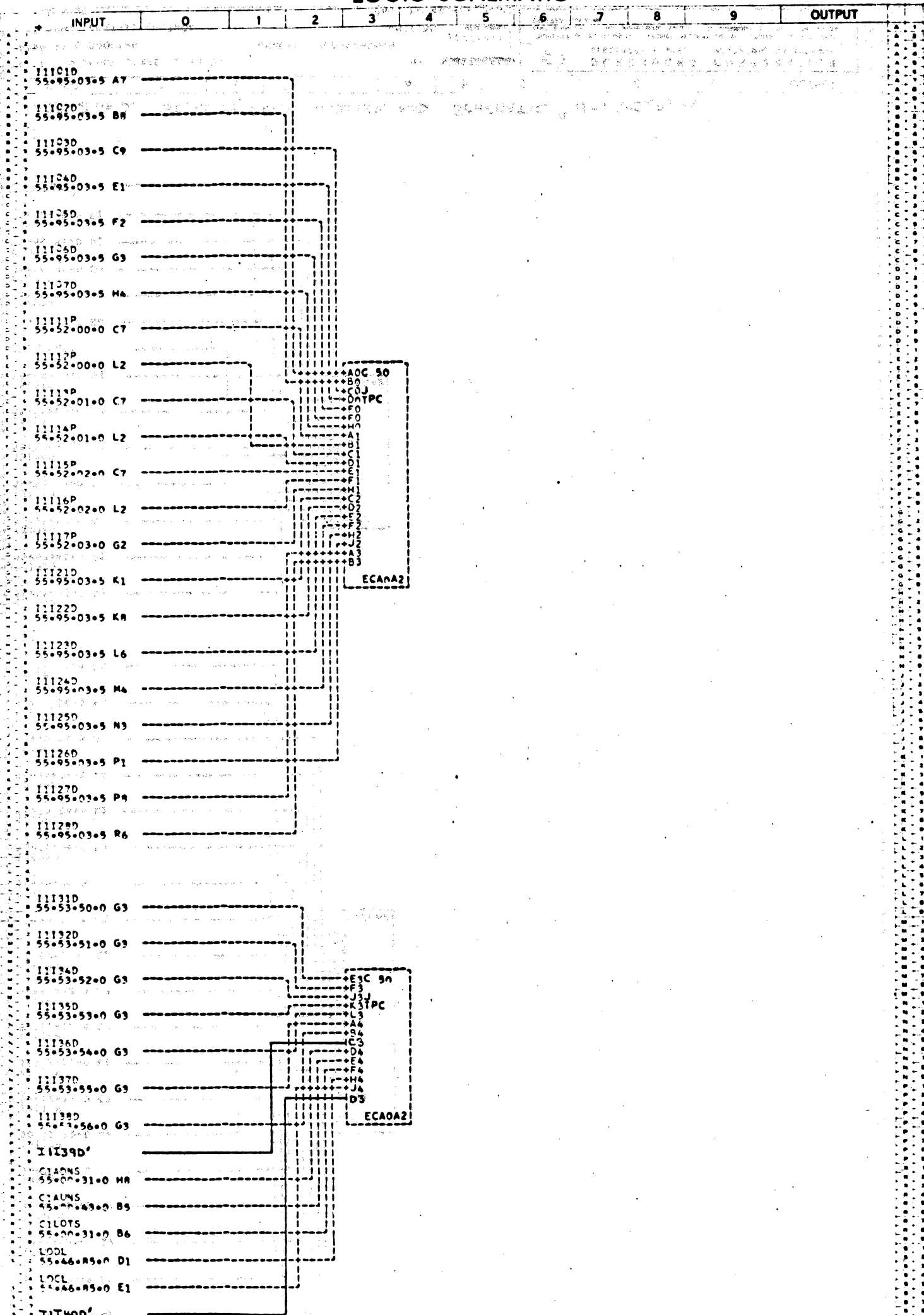
27 WIRES

CIRCUIT NO.	CIRCUIT CONT. NO.	FROM					TO					WIRE SEQ NO.	WIRE SIZE AND TYPE	LENGTH OF WIRE	ADDED INFORMATION	STATUS	PATTERN	ROTATION	CONTROL	FORCE
		LOCATION		ELEMENT TYPE	2	LOCATION	ELEMENT TYPE	2	GROUPS 1 & 2		GROUP									
									PIVOT 1	PIVOT 2										
									OTHER GROUPS											
							SHIELD WIRE FROM PIN	SHIELD WIRE TO PIN												
27TSL	5596381L55	5000	EEED0E8C	501	EEED1E0TBR	1				1					4					
		5010	EEED1E0TBR	2	EEED4L3LWTP	2				1					4					
		5020	EEED4L3LWTP	1	EFA0F9IFJB	1				1					4					
		5030	EFA0F9IFJB	2	EDD0U9IFJT	2				5					4					
		5040	EDD0U9IFJT	1	EDC0U7A	3				1					4					
		5050	EDC0U7A	3	ECC6U6A	2				1					4					
		5060	ECC6U6A	3	ECB6U6A	1				1					4					
		5070	ECB6U6A	3	ECA6U6A	2				1					4					
29TSL	5596391L55	5000	EEED0T3C	501	EEED1HOTBR	1				1					4					
		5010	EEED1HOTBR	2	EEED4L4LWTP	2				1					4					
		5020	EEED4L4LWTP	1	EFA0J9IFJB	1				1					4					
		5030	EFA0J9IFJB	2	EDDOW9IFJT	2				5					4					
		5040	EDDOW9IFJT	1	EDC0S8A	3				1					4					
		5050	EDC0S8A	3	ECC6S7A	2				1					4					
		5060	ECC6S7A	3	ECB6S7A	1				1					4					
		5070	ECB6S7A	3	ECA6S7A	2				1					4					
31TSL	5596401L55	5000	EEED0T8C	501	EEED1KOTBR	1				1					4					
		5010	EEED1KOTBR	2	EEED4N1LWTP	2				1					4					
		5020	EEED4N1LWTP	1	EFA0L9IFJB	1				1					4					
		5030	EFA0L9IFJB	2	EDD0Y9IFJT	2				5					4					
		5040	EDD0Y9IFJT	1	EDC0U8A	3				1					4					
		5050	EDC0U8A	3	ECC6U7A	2				1					4					
		5060	ECC6U7A	3	ECB6U7A	1				1					4					
		5070	ECB6U7A	3	ECA6U7A	2				1					4					
GND FOR TBR EEAYI	5599050B70	5005	EEEA1Y8FSB	2	EEEA1Y1TBR	1				1					4					
GND FOR TBR EECLD	5599050M69	4995	EEB1LOTBR	1	EEB1Z5	1				1					4					
GND FOR TBR EECLD	5599050C61	5005	EECI N7RSE	2	EECI LOTBR	1				1					4					

COMPILED BY	DATE	APPROVED BY	DATE	CHECKED BY	DATE	UNIT NO.	UNIT NAME	CHANGE LIST NO	REV.
D.A. SHEPHERD	5-3-65					11210531	3 DENSITY-DRIVE HOLDOVER-Mod. "E RACK"	B-11205309	B



# LOGIC SCHEMATIC



PAGE 1 OF 31 3 DENSITY DRIVE HOLD OVER MOD. SCHEMATIC # H-11205291-A

INPUT	0	1	2	3	4	5	6	7	8	9	OUTPUT
U 2 TITLE I-O INPUT LINES 1 (3-1)											
U 4 DRAWN BY C DOOLING											
U 6 UNIT NAME CENTRAL CONTROL											
U 8 SYSTEM 3000											

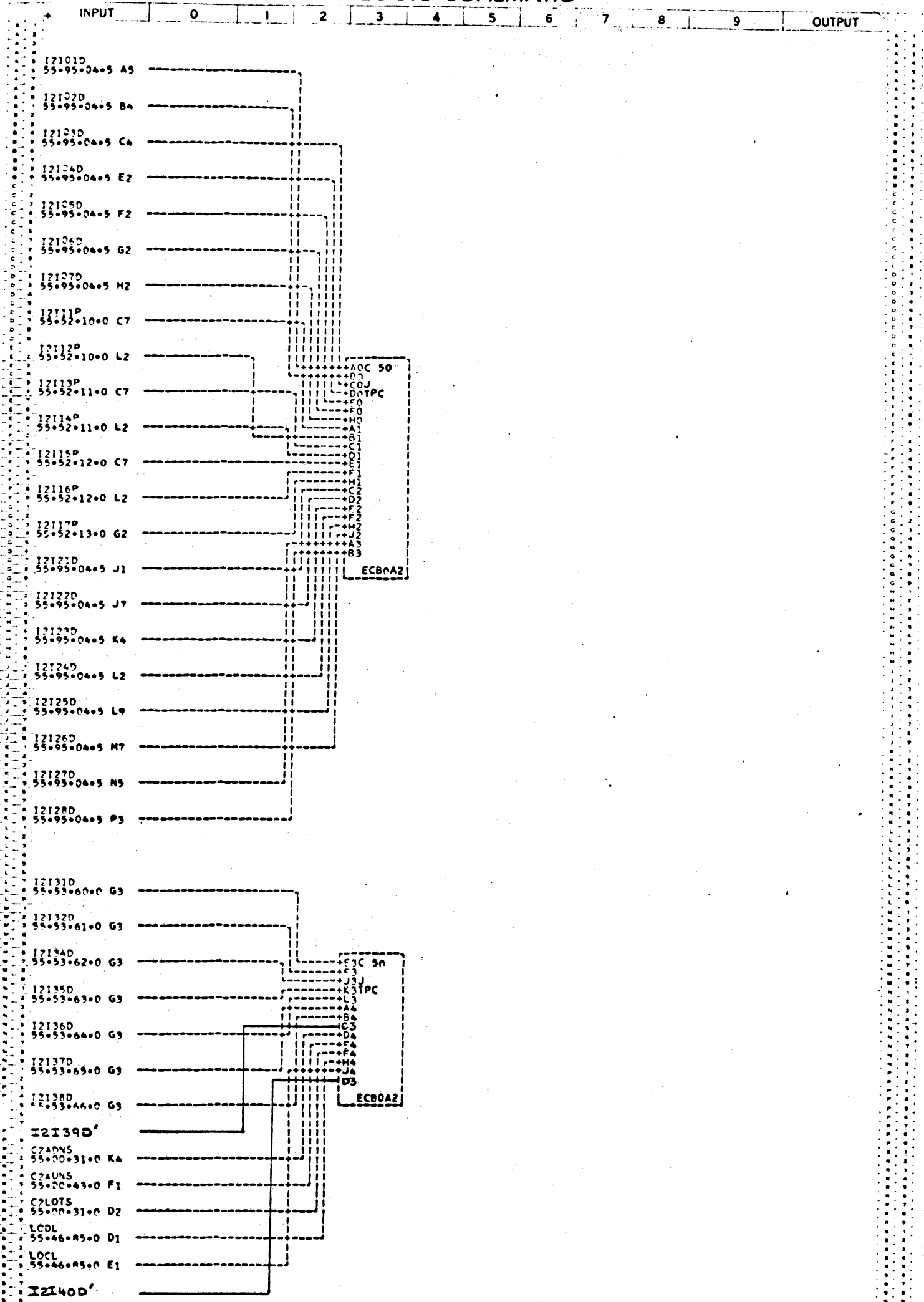
**BURROUGHS CORPORATION**  
ELECTRODATA DIV., PASADENA, CALIFORNIA

PROPERTY OF BURROUGHS CORPORATION. NOT TO BE REPRODUCED, FOR USE IN MANUFACTURING PURPOSES, EXCEPT ON BURROUGHS ORDER OR PRIOR WRITTEN CONSENT.

ER-1617A



# LOGIC SCHEMATIC



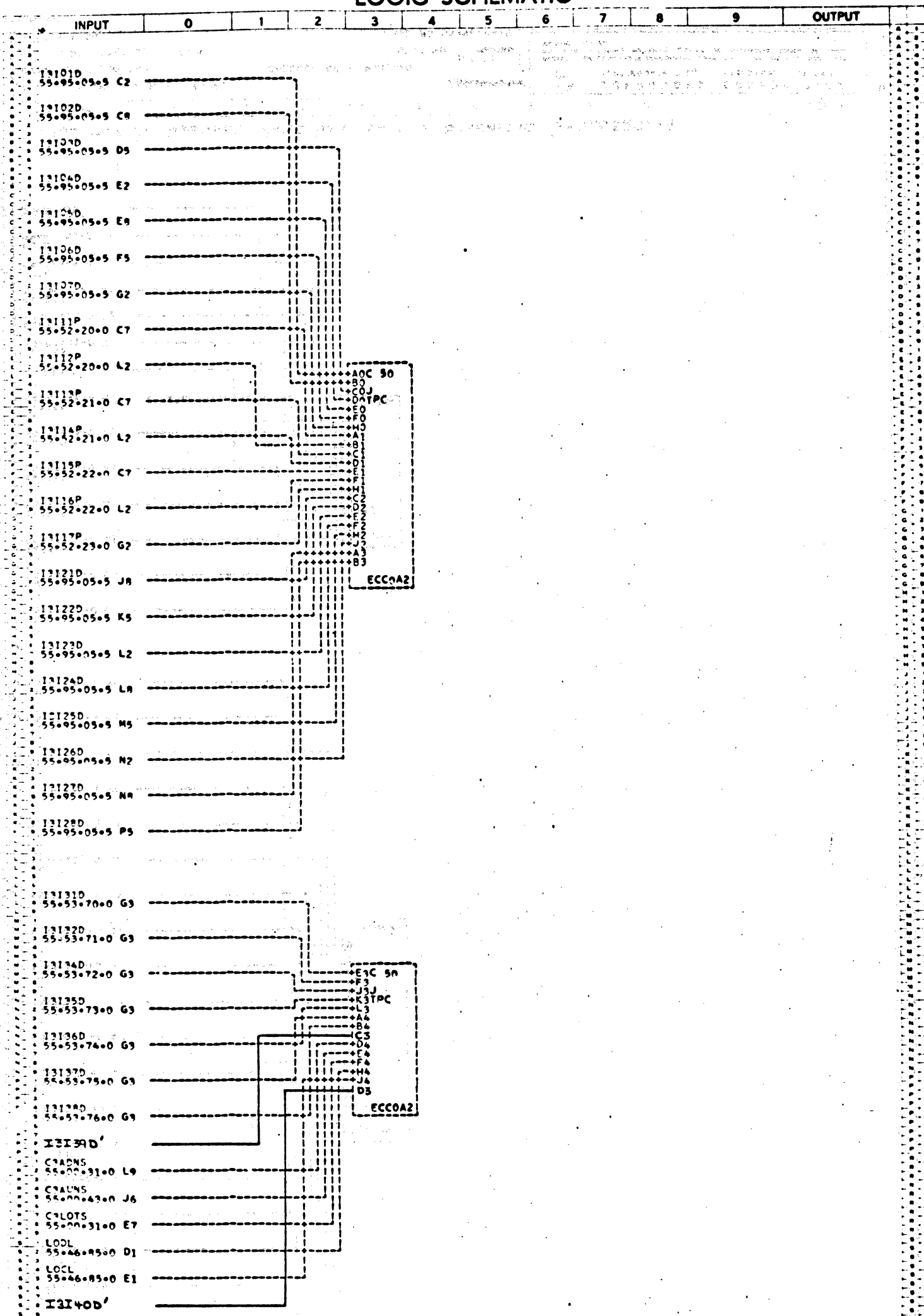
PAGE 2 OF 31 3DENSITY DRIVE HOLDOVER MOD. SCHEMATIC # H-11205291-A

INPUT	0	1	2	3	4	5	6	7	8	9	OUTPUT
U 2 TITLE I-0 INPUT LINES 2 (3-2)											U 2
U 4 DRAWN BY C DOOLING											U 4
U 6 UNIT NAME CENTRAL CONTROL											U 6
U 8 SYSTEM 5000											U 8

**BURROUGHS CORPORATION**  
 ELECTRODATA DIV. PASADENA, CALIFORNIA

PROPERTY OF BURROUGHS CORPORATION... NOT TO BE REPRODUCED, NOR USED FOR MANUFACTURING PURPOSES, EXCEPT ON BURROUGHS ORDER OR PRIOR WRITTEN CONSENT.

# LOGIC SCHEMATIC

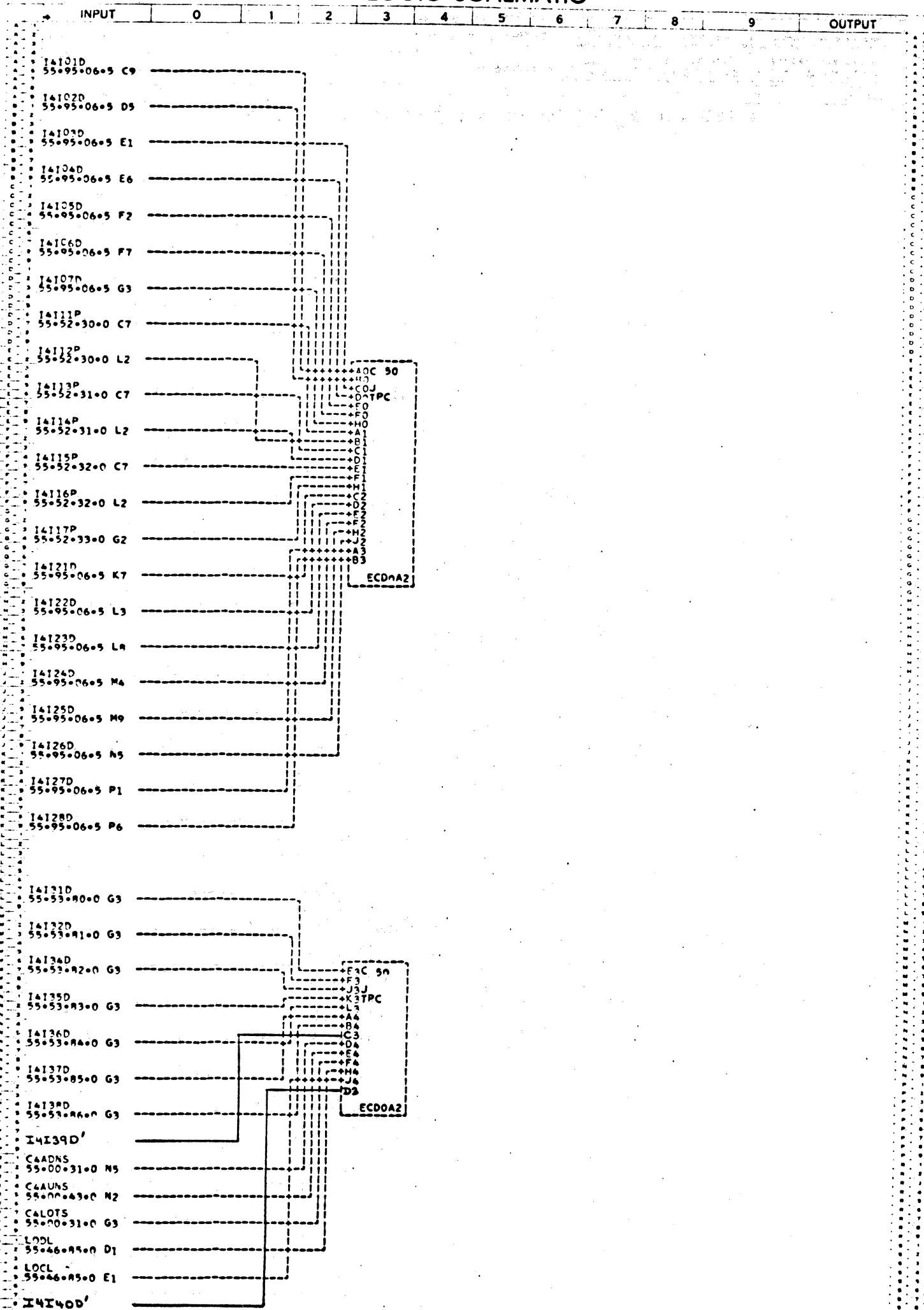


PAGE 3 of 31 3DENSITY DRIVE HOLDOVER MOD. SCHEMATIC # H-11205291-A

INPUT	0	1	2	3	4	5	6	7	8	9	OUTPUT
U 2 TITLE I-O INPUT LINES 3 (3-3)											U 2
U 4 DRAWN BY C. DOOLING											U 4
U 6 UNIT NAME CENTRAL CONTROL											U 6
U 8 SYSTEM 3000											U 8

**BURROUGHS CORPORATION**  
 ELECTRODATA DIV., PASADENA, CALIFORNIA  
PROPERTY OF BURROUGHS CORPORATION - NOT TO BE REPRODUCED, FOR USE  
 FOR MANUFACTURING PURPOSES, EXCEPT ON BURROUGHS ORDER OR FROM  
 WRITTEN CONSENT.

# LOGIC SCHEMATIC



PAGE 4 OF 31 3DENSITY DRIVE HOLDOVER MOD. SCHEMATIC # H-11205291-A

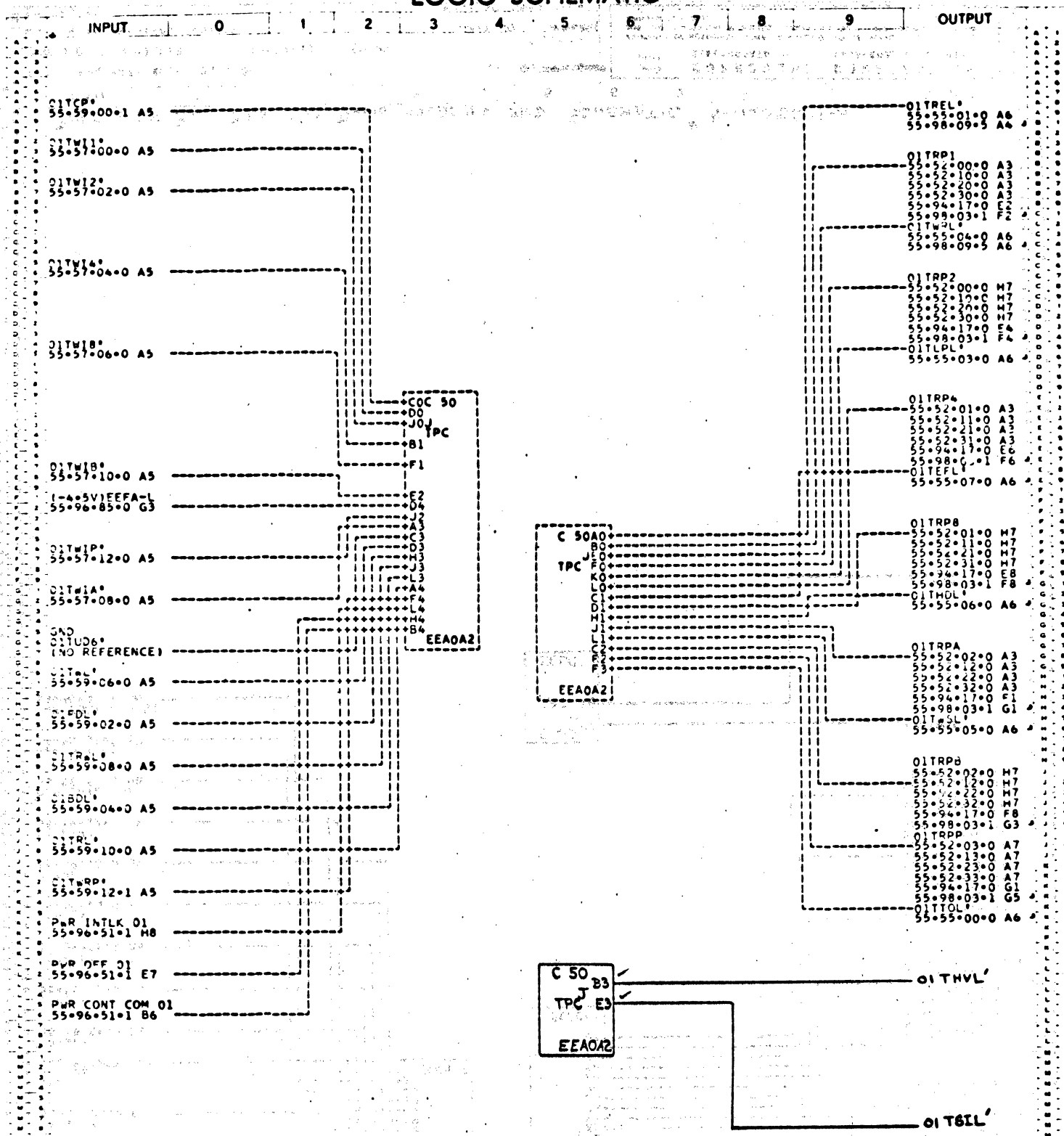
INPUT	0	1	2	3	4	5	6	7	8	9	OUTPUT
U 2 TITLE I-O INPUT LINES 4 (3-4)											
U 4 DRAWN BY C DOOLING											
U 6 UNIT NAME CENTRAL CONTROL											
U 8 SYSTEM 9000											

**BURROUGHS CORPORATION**  
ELECTRODATA DIV., PASADENA, CALIFORNIA

PROPERTY OF BURROUGHS CORPORATION NOT TO BE REPRODUCED, NOR USED FOR MANUFACTURING PURPOSES, EXCEPT ON BURROUGHS ORDER OR PRIOR WRITTEN CONSENT.

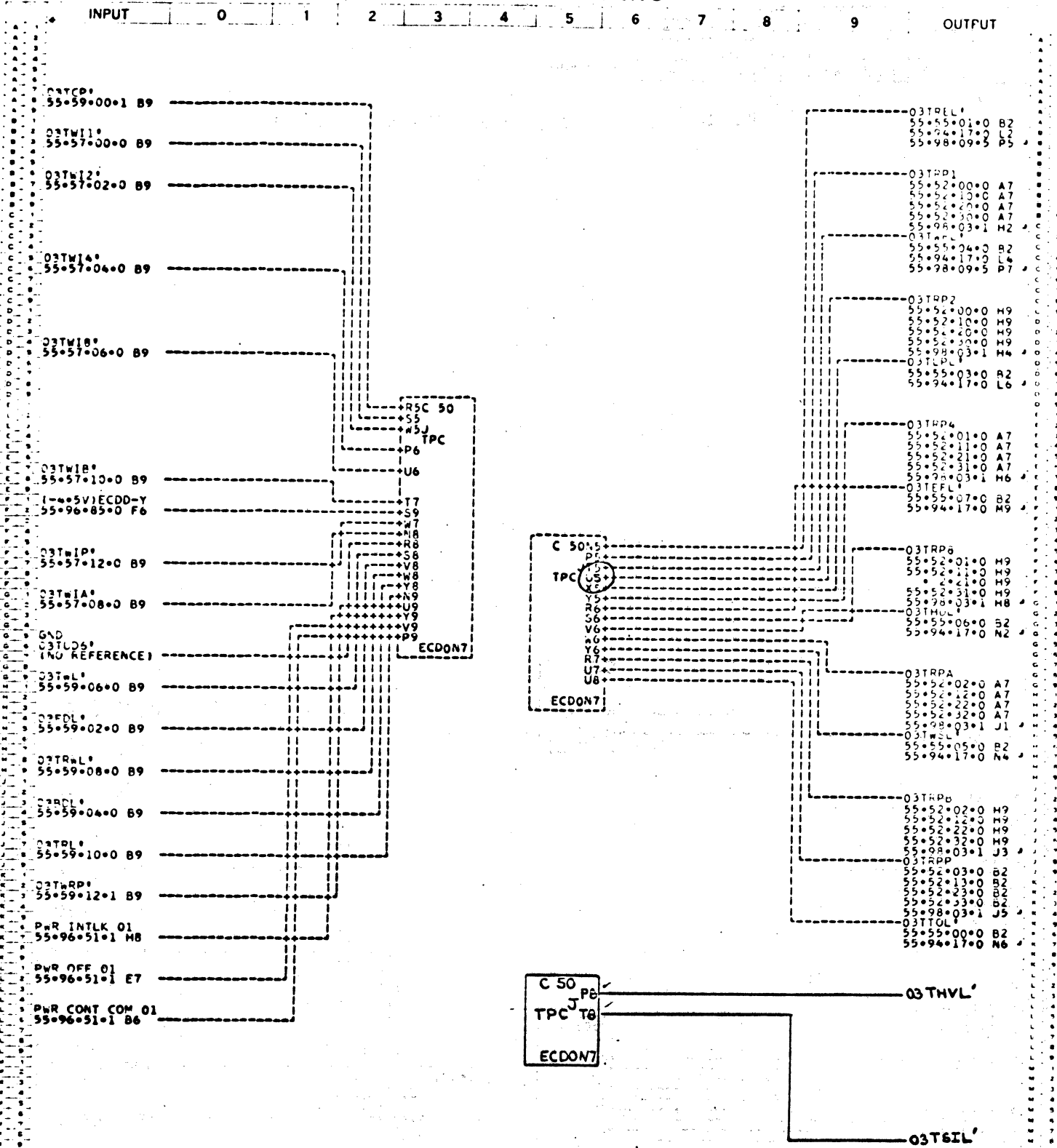
130 1007-1 REV 0-0

# LOGIC SCHEMATIC



PAGE 5 OF 31 3 DENSITY DRIVE HOLDOVER MOD. SCHEMATIC # H-1105291-A

# LOGIC SCHEMATIC



PAGE 6 OF 31 3 DENSITY DRIVE HOLDOVER MOD. SCHEMATIC # H-11205291-A

INPUT	0	1	2	3	4	5	6	7	8	9	OUTPUT
U 2	TITLE MAG TAPE XPORT 03 (12-2)										U 2
U 4	DRAWN BY R J MILLER 12-12-6 CHECKED BY										U 4
U 6	UNIT NAME CENTRAL CONTROL										U 6
U 8	SYSTEM 5000										U 8

UNIT NO 11205291

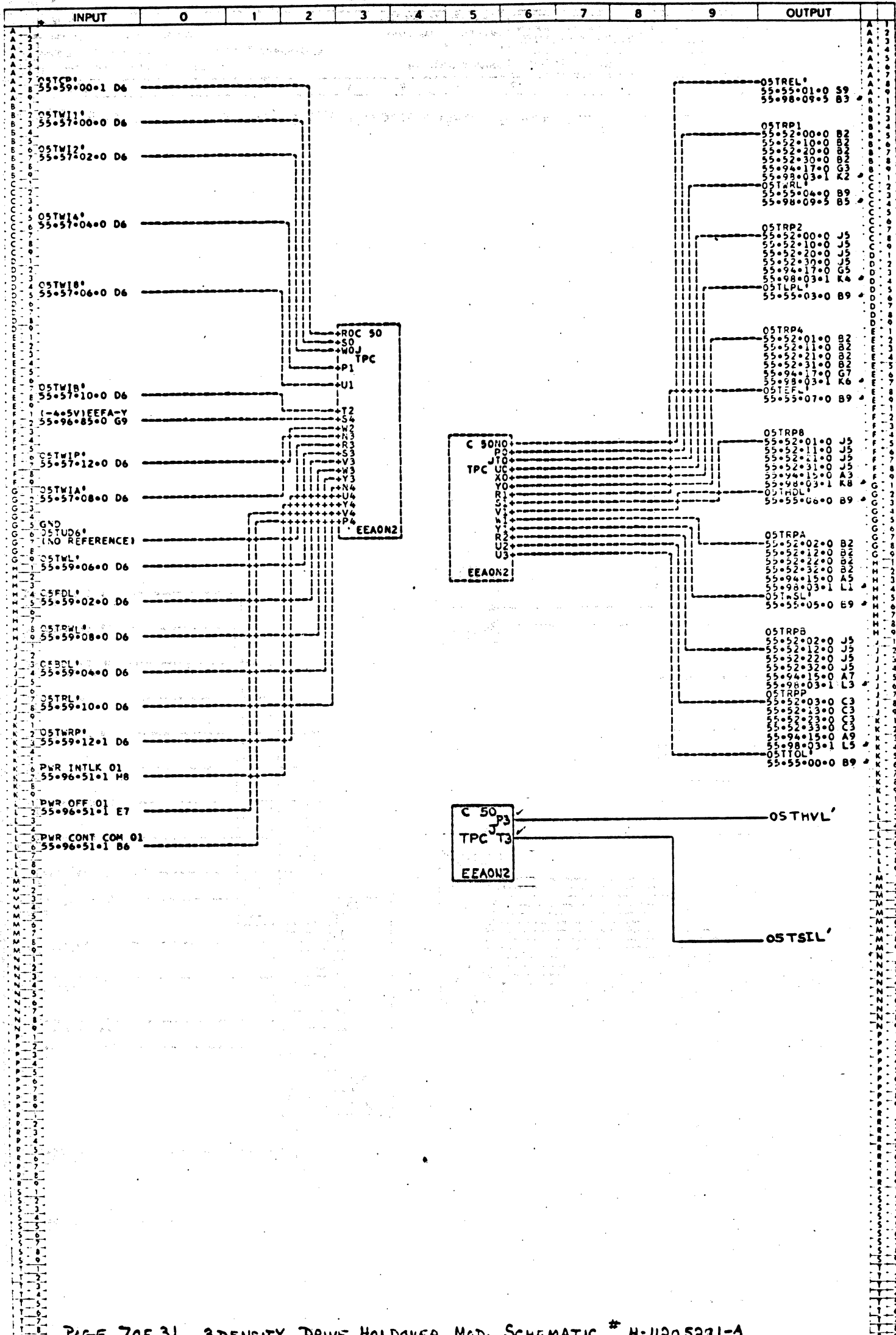
PAGE NO 55-96-20-1

**BURROUGHS CORPORATION**

ELECTRODATA DIV., PASADENA, CALIFORNIA

PROPERTY OF BURROUGHS CORPORATION - NOT TO BE REPRODUCED, NOR USED FOR MANUFACTURING PURPOSES, EXCEPT ON BURROUGHS ORDER OR PRIOR WRITTEN CONSENT.

# LOGIC SCHEMATIC



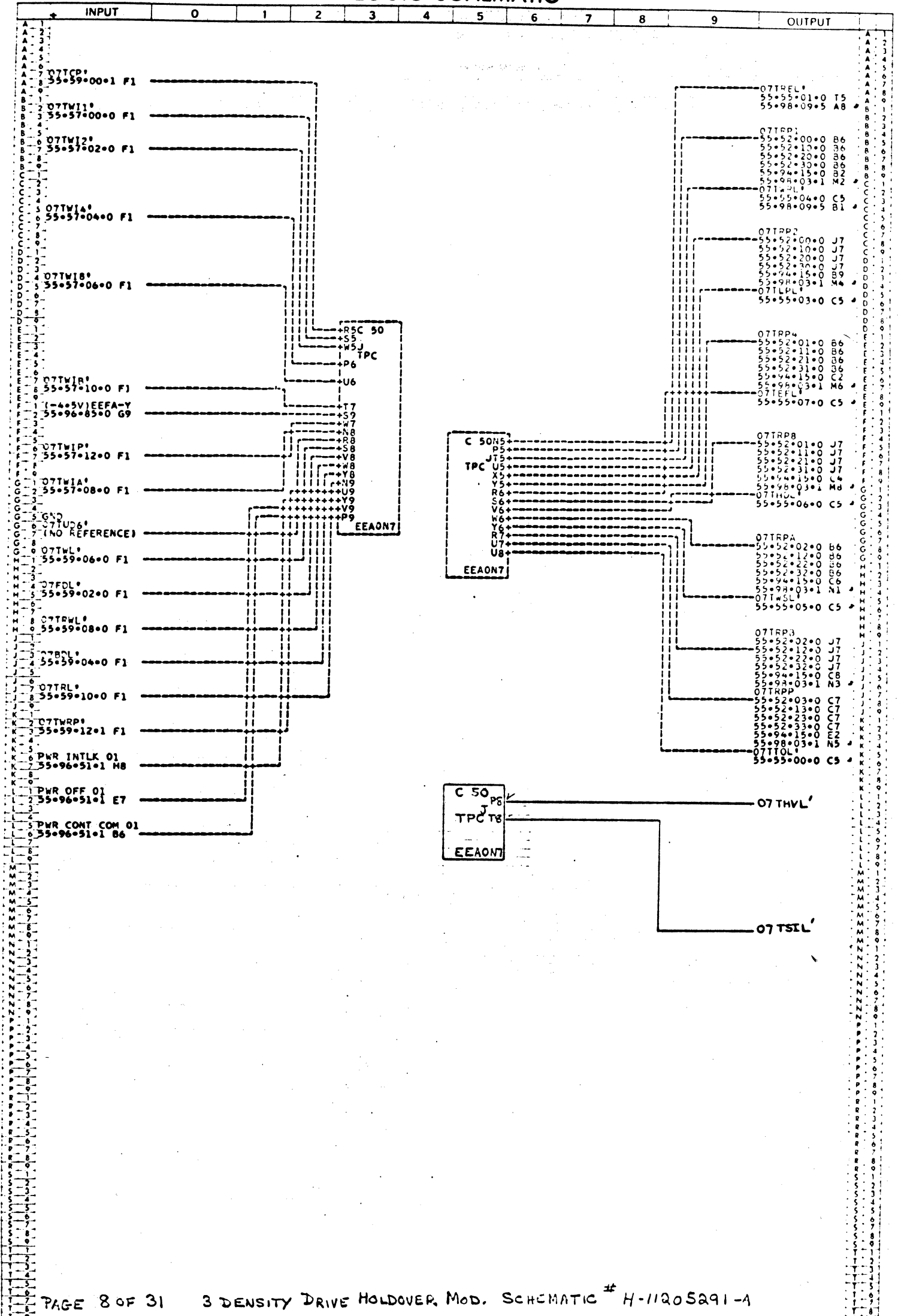
PAGE 70F 31 3DENSITY DRIVE HOLDOVER MOD. SCHEMATIC # H-11205271-A

INPUT	0	1	2	3	4	5	6	7	8	9	OUTPUT
U 2 TITLE MAG TAPE XPORT 05 (12-3)											
U 4 DRAWN BY R J MILLER											
U 6 UNIT NAME CENTRAL CONTROL											
U 8 SYSTEM 5000											

ELECTRODATA **Burroughs Corporation** PASADENA CALIFORNIA  
 M & E DIVISION  
 PROPERTY OF BURROUGHS CORPORATION NOT TO BE REPRODUCED, NOR USED FOR MANUFACTURING PURPOSES EXCEPT ON BURROUGHS ORDER OR PRIOR WRITTEN CONSENT

UNIT NO. 78493  
 PAGE NO. 55-96-27-1

# LOGIC SCHEMATIC



PAGE 8 OF 31 3 DENSITY DRIVE HOLDOVER, MOD. SCHEMATIC # H-11205291-A

INPUT	0	1	2	3	4	5	6	7	8	9	OUTPUT
U 2 TITLE MAG TAPE XPORT 07 (12-4)											U 2
U 4 DRAWN BY R J MILLER 12-12-61 CHECKED BY											U 4
U 6 UNIT NAME CENTRAL CONTROL											U 6
U 8 SYSTEM 5000											U 8

UNIT NO. 78493

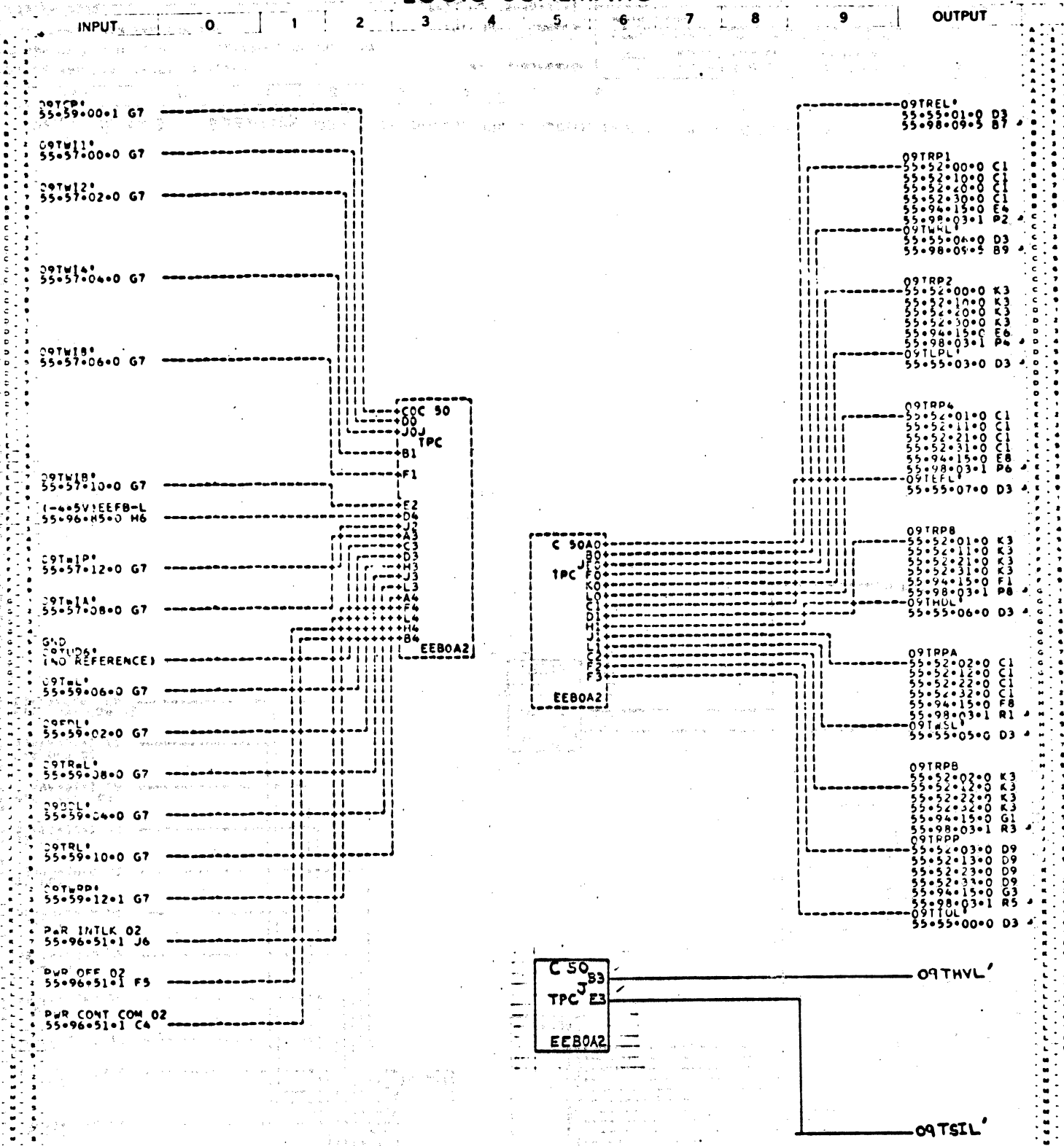
PAGE NO. 55-96-28-1

ELECTRODATA M&E DIVISION **Burroughs Corporation** PASADENA CALIFORNIA

PROPERTY OF BURROUGHS CORPORATION NOT TO BE REPRODUCED, NOR USED FOR MANUFACTURING PURPOSES EXCEPT ON BURROUGHS ORDER OR PRIOR WRITTEN CONSENT

500 1007-1 REV 2-60

# LOGIC SCHEMATIC



INPUT	0	1	2	3	4	5	6	7	8	9	OUTPUT
U 2 TITLE MAG TAPE XPORT 09 (12-5)											
U 4 DRAWN BY R J MILLER 12-12-61 CHECKED BY											
U 6 UNIT NAME CENTRAL CONTROL											
U 8 SYSTEM 5000											

M- ~~XXXXXXXXXX~~

UNIT NO 112-1-1

PAGE NO 55-96-27-1

**BURROUGHS CORPORATION**

ELECTRODATA DIV., PASADENA, CALIFORNIA

PROPERTY OF BURROUGHS CORPORATION - NOT TO BE REPRODUCED, NOR USED FOR MANUFACTURING PURPOSES, EXCEPT ON BURROUGHS ORDER OR PRIOR WRITTEN CONSENT.

U 2

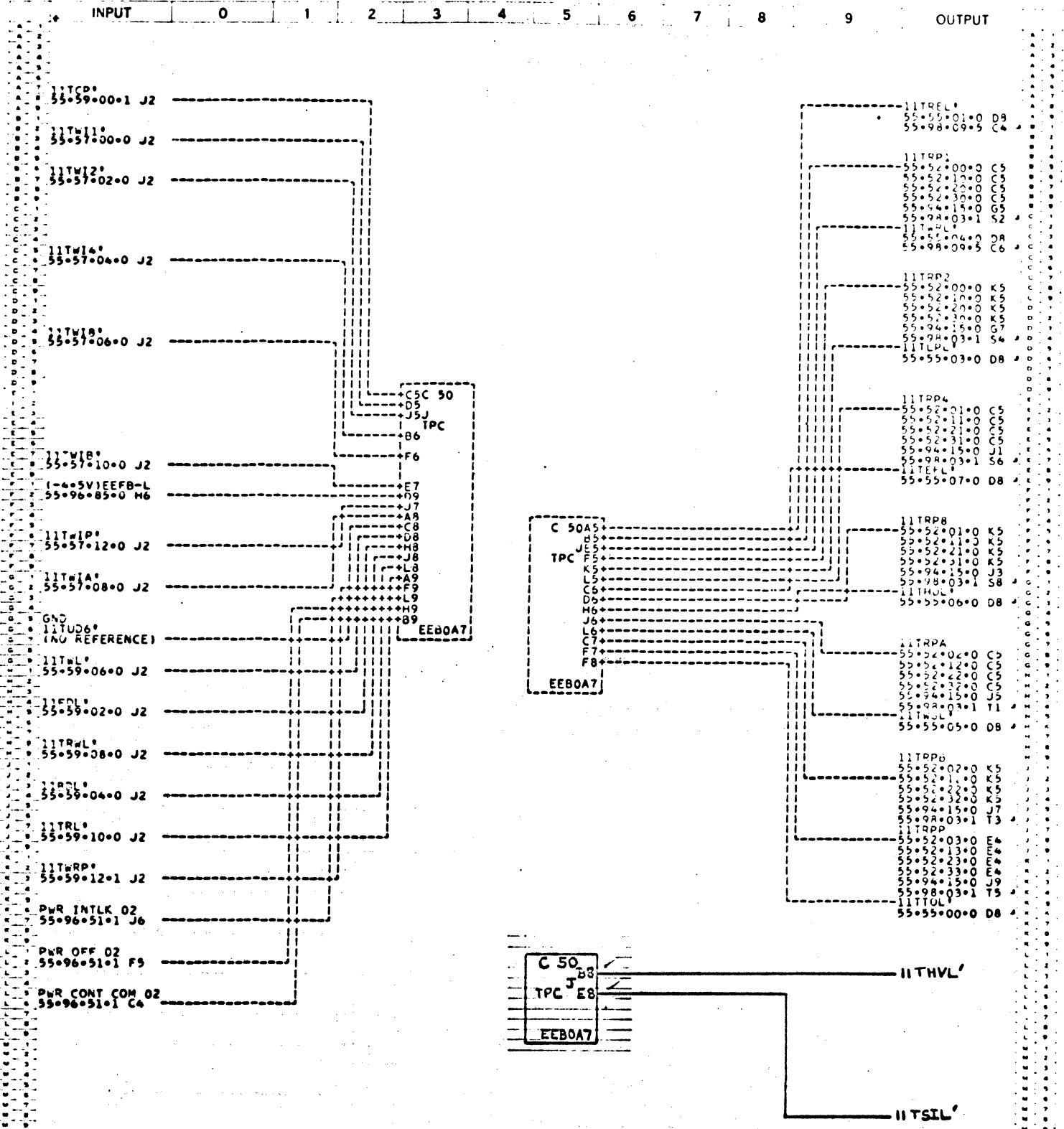
U 4

U 6

U 8

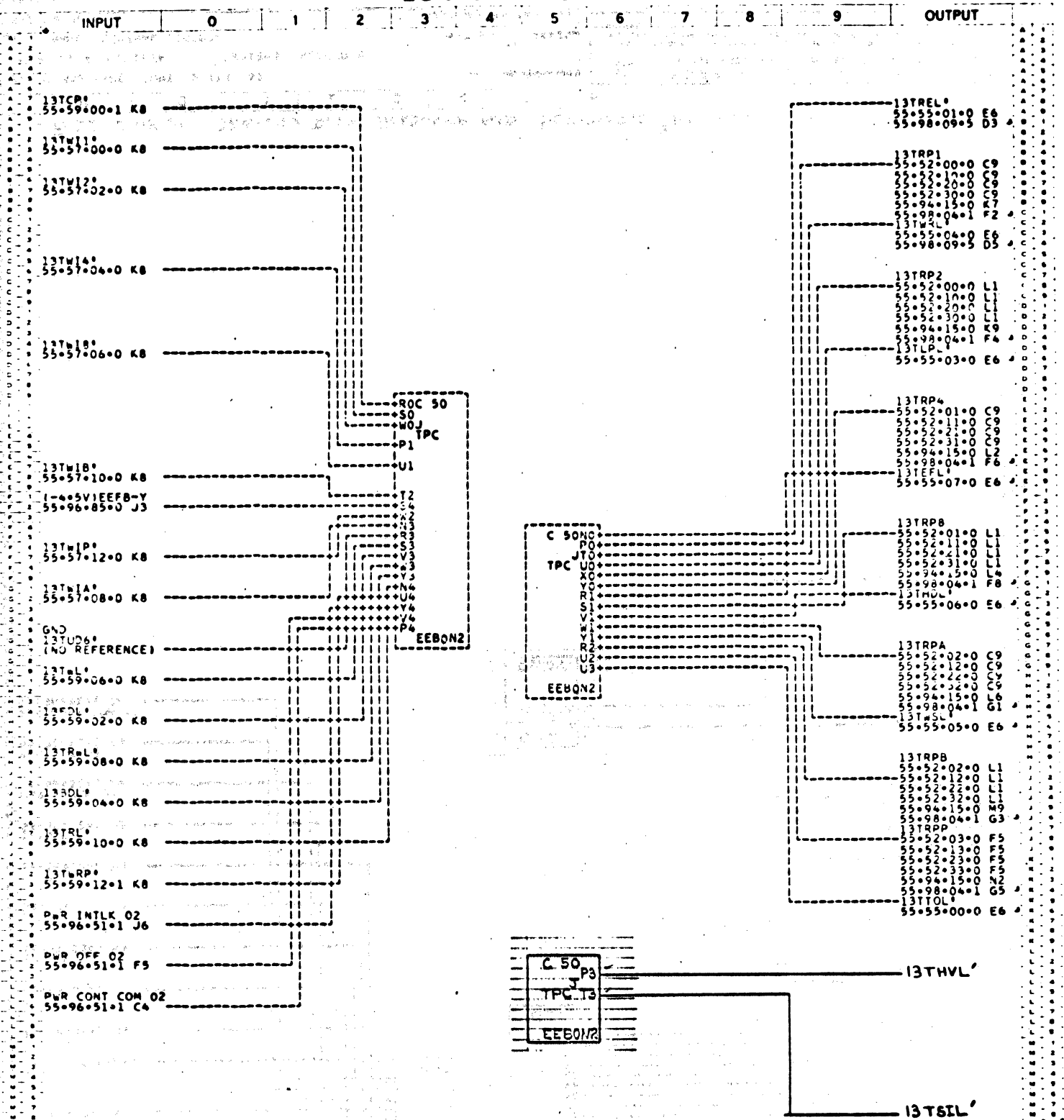


# LOGIC SCHEMATIC



INPUT	0	1	2	3	4	5	6	7	8	9	OUTPUT
U 2 TITLE MAG TAPE XPORT 11 (12-6)											
U 4 DRAWN BY R J MILLER											
U 6 UNIT NAME CENTRAL CONTROL											
U 8 SYSTEM 3000											
<p>H- <span style="border: 1px solid black; padding: 2px;">11205291</span></p> <p>UNIT NO <span style="border: 1px solid black; padding: 2px;">11205291</span></p> <p>PAGE NO 33-26-30-1</p>						<p><b>BURROUGHS CORPORATION</b> ELECTRODATA DIV., PASADENA, CALIFORNIA</p> <p>PROPERTY OF BURROUGHS CORPORATION - NOT TO BE REPRODUCED, NOR USED FOR MANUFACTURING PURPOSES, EXCEPT ON BURROUGHS ORDER OR PRIOR WRITTEN CONSENT.</p>					

# LOGIC SCHEMATIC



PAGE 11 OF 31 3DENSITY DRIVE HOLDOVER MOD. SCHEMATIC # H-11205291-A

INPUT	0	1	2	3	4	5	6	7	8	9	OUTPUT
U 2 TITLE MAG TAPE XPORT 13 (12- 7)											
U 4 DRAWN BY R J MILLER											
U 6 UNIT NAME CENTRAL CONTROL											
U 8 SYSTEM 9000											

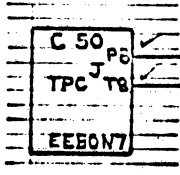
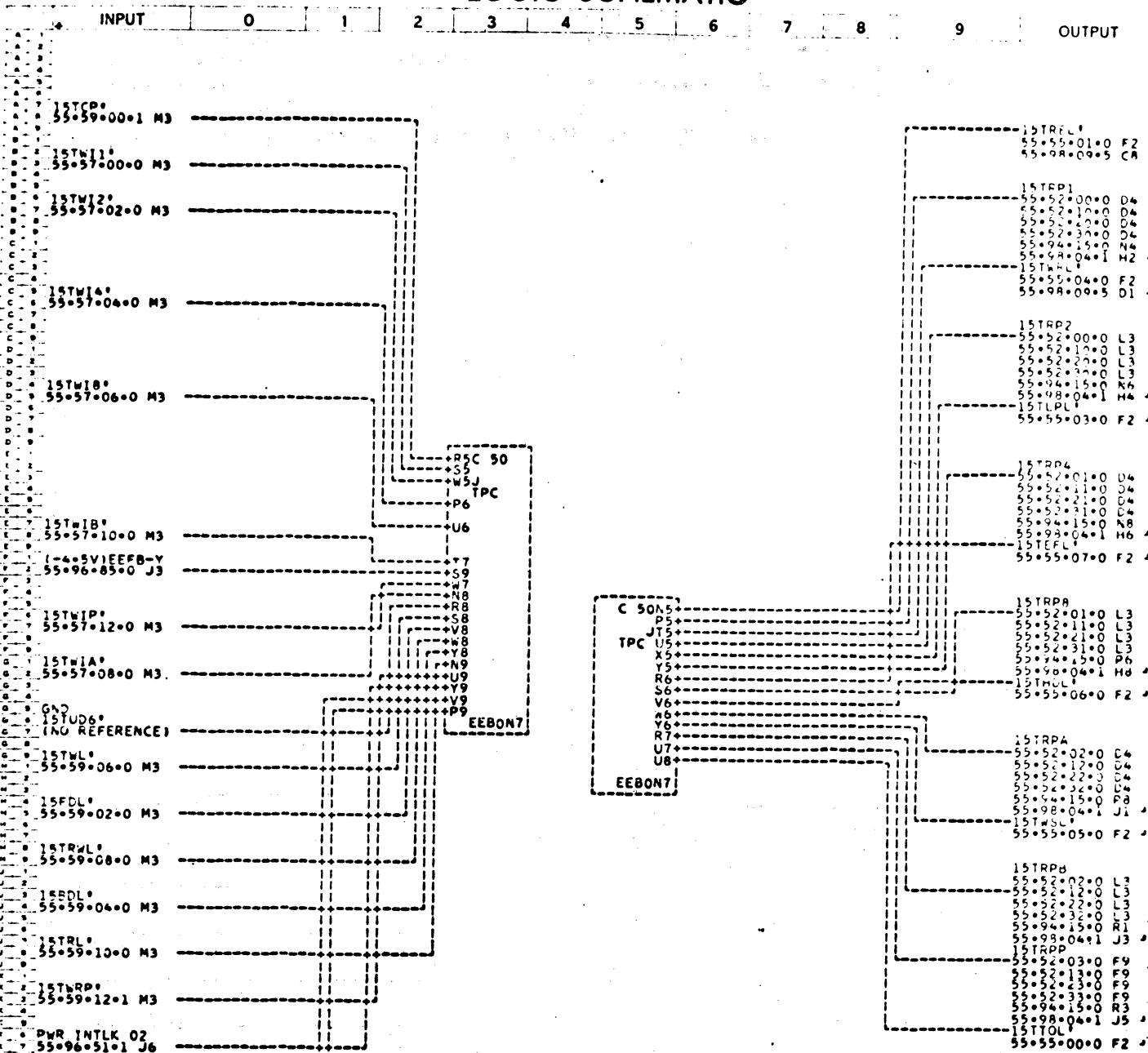
UNIT NO 11-521

PAGE NO 55-96-51-1

**BURROUGHS CORPORATION**  
ELECTRODATA DIV., PASADENA, CALIFORNIA

PROPERTY OF BURROUGHS CORPORATION - NOT TO BE REPRODUCED, FOR USE FOR MANUFACTURING PURPOSES, EXCEPT ON BURROUGHS ORDER OR PRIOR WRITTEN CONSENT.

# LOGIC SCHEMATIC



1STHVL'

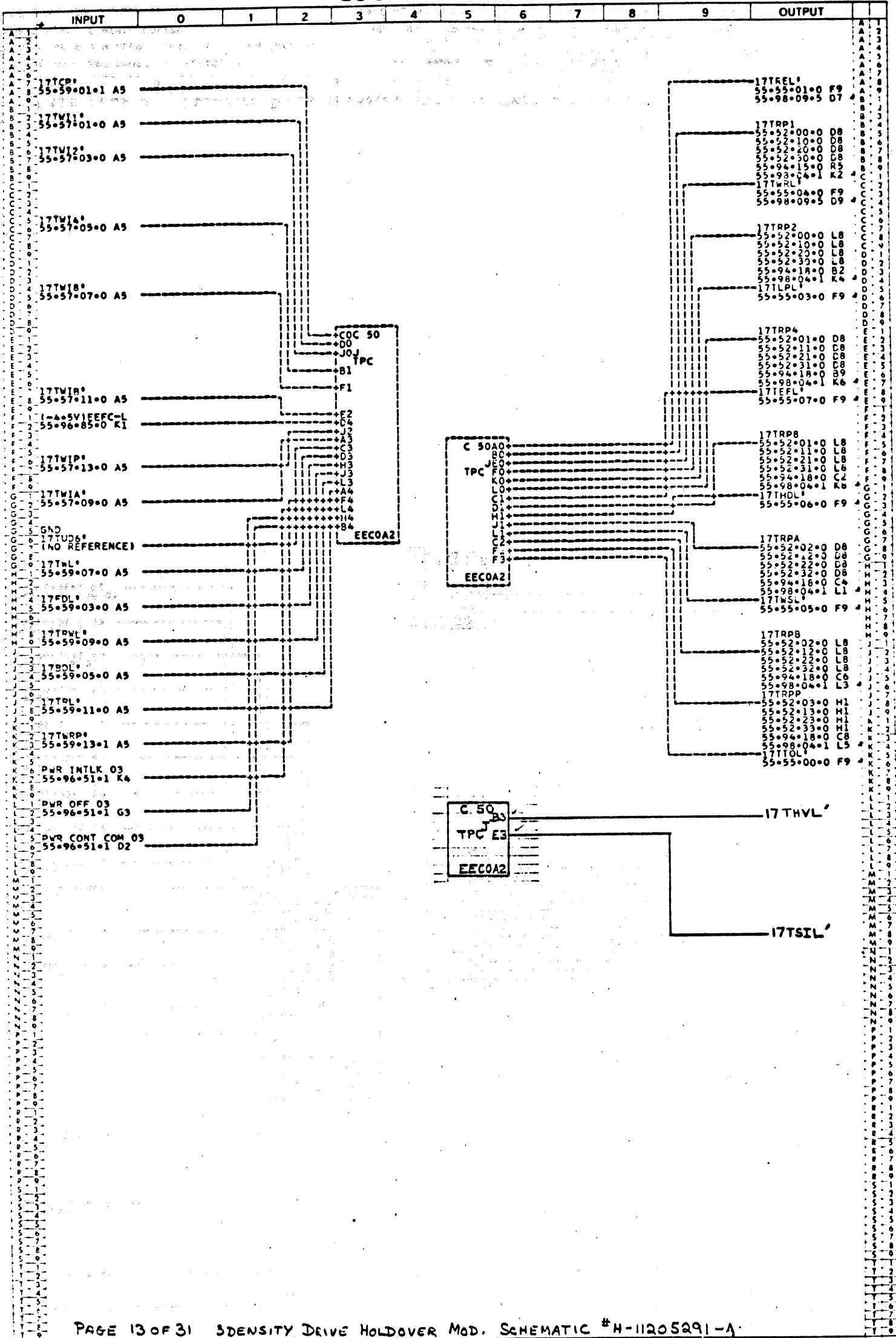
1STSL'

INPUT	0	1	2	3	4	5	6	7	8	9	OUTPUT
U 2 TITLE MAG TAPE XPORT 19 (12- 8)											
U 4 DRAWN BY R J MILLER											
U 6 UNIT NAME CENTRAL CONTROL											
U 8 SYSTEM 3000											

**BURROUGHS CORPORATION**  
 ELECTRODATA DIV. PASADENA, CALIFORNIA  
PROPERTY OF BURROUGHS CORPORATION NOT TO BE REPRODUCED, FOR USE  
 FOR MANUFACTURING PURPOSES, EXCEPT ON BURROUGHS ORIGIN OR FROM  
 WRITTEN CONSENT.

100 1007-1 REV 8-60

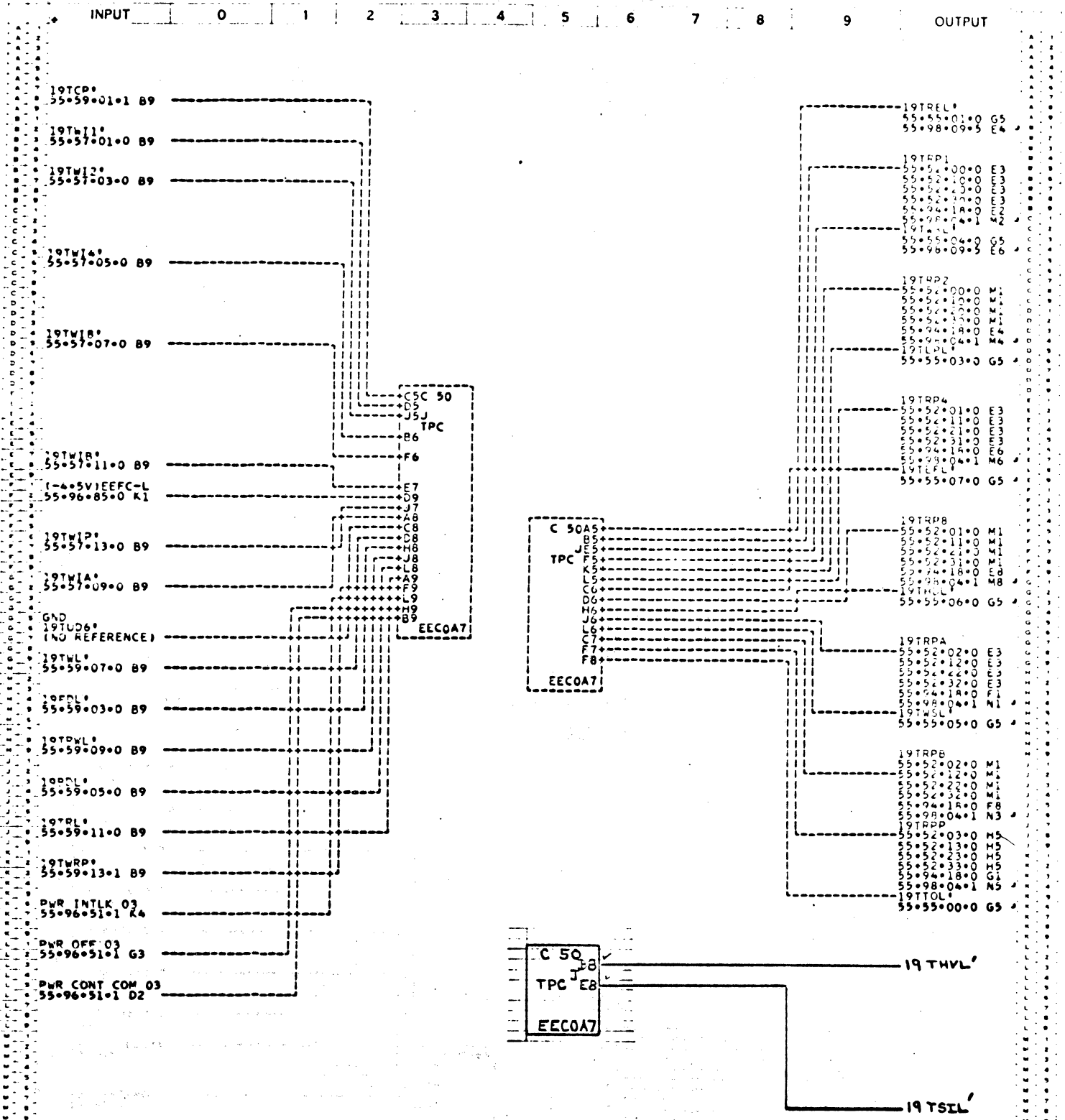
# LOGIC SCHEMATIC



INPUT	0	1	2	3	4	5	6	7	8	9	OUTPUT
U 2	TITLE	MAG TAPE XPORT 17 (12-9)									U 2
U 4	DRAWN BY	R J MILLER	12-12-61	CHECKED BY							U 4
U 6	UNIT NAME	CENTRAL CONTROL									U 6
U 8	SYSTEM	5000									U 8

**Burroughs Corporation**  
 ELECTRODATA M&E DIVISION PASADENA CALIFORNIA  
 PROPERTY OF BURROUGHS CORPORATION NOT TO BE REPRODUCED, NOR USED FOR MANUFACTURING PURPOSES EXCEPT ON BURROUGHS ORDER OR PRIOR WRITTEN CONSENT

# LOGIC SCHEMATIC



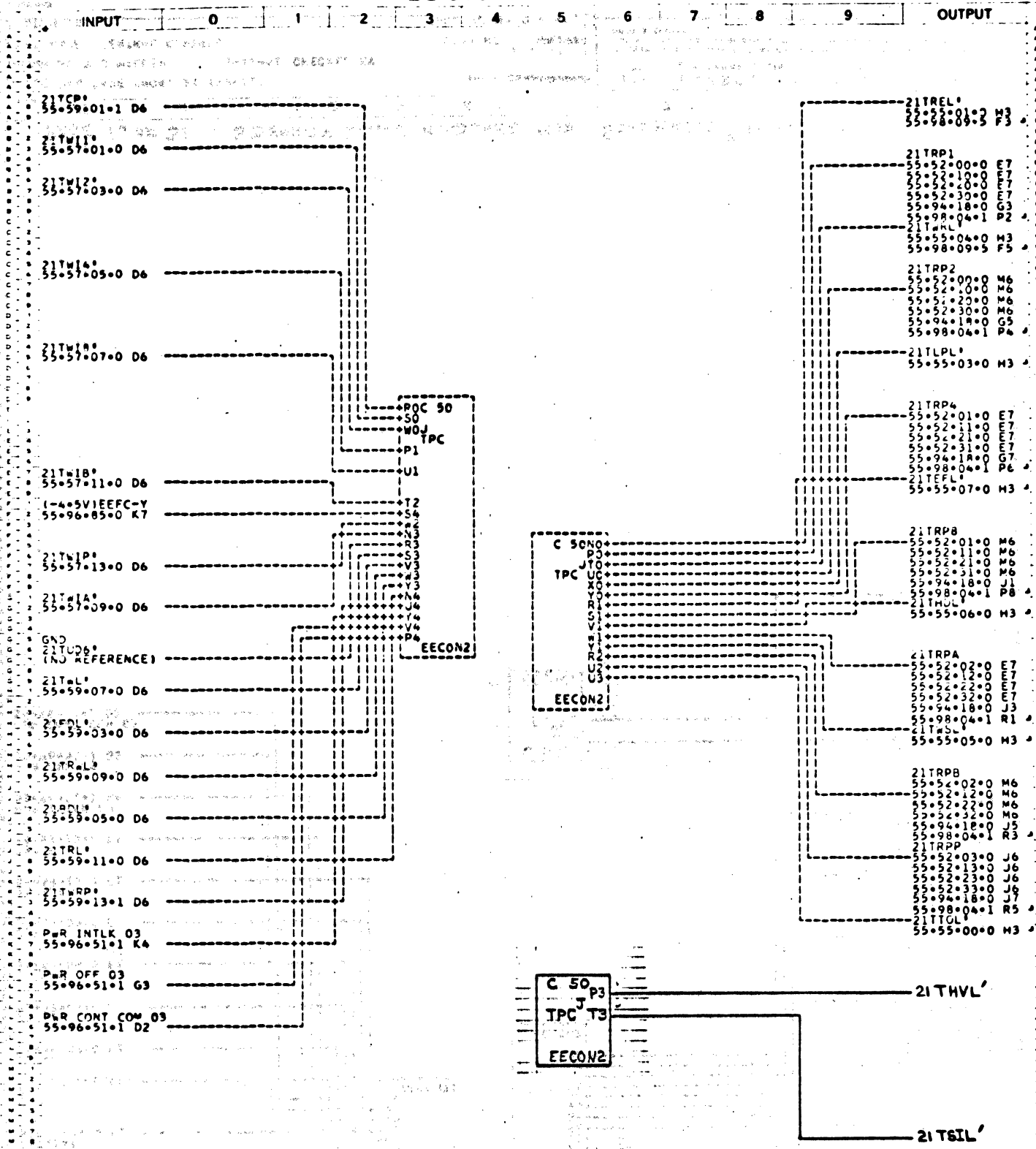
PAGE 14 OF 31 3DENSITY DRIVE HOLDOVER MOD. SCHEMATIC # H-11205291-A

INPUT	0	1	2	3	4	5	6	7	8	9	OUTPUT
U 2 TITLE	MAG TAPE XPORT 19 (12-10)										U 2
U 4 DRAWN BY	R J MILLER 12-12-61										U 4
U 6 UNIT NAME	CENTRAL CONTROL										U 6
U 8 SYSTEM	3200										U 8
H- <del>XXXXXXXXXX</del> UNIT NO <del>XXXXXXXXXX</del>											
PAGE NO 55960401											

**BURROUGHS CORPORATION**  
ELECTRODATA DIV., PASADENA, CALIFORNIA

PROPERTY OF BURROUGHS CORPORATION. NOT TO BE REPRODUCED, NOR USED FOR MANUFACTURING PURPOSES, EXCEPT ON BURROUGHS ORDER OR PRIOR WRITTEN CONSENT.

# LOGIC SCHEMATIC



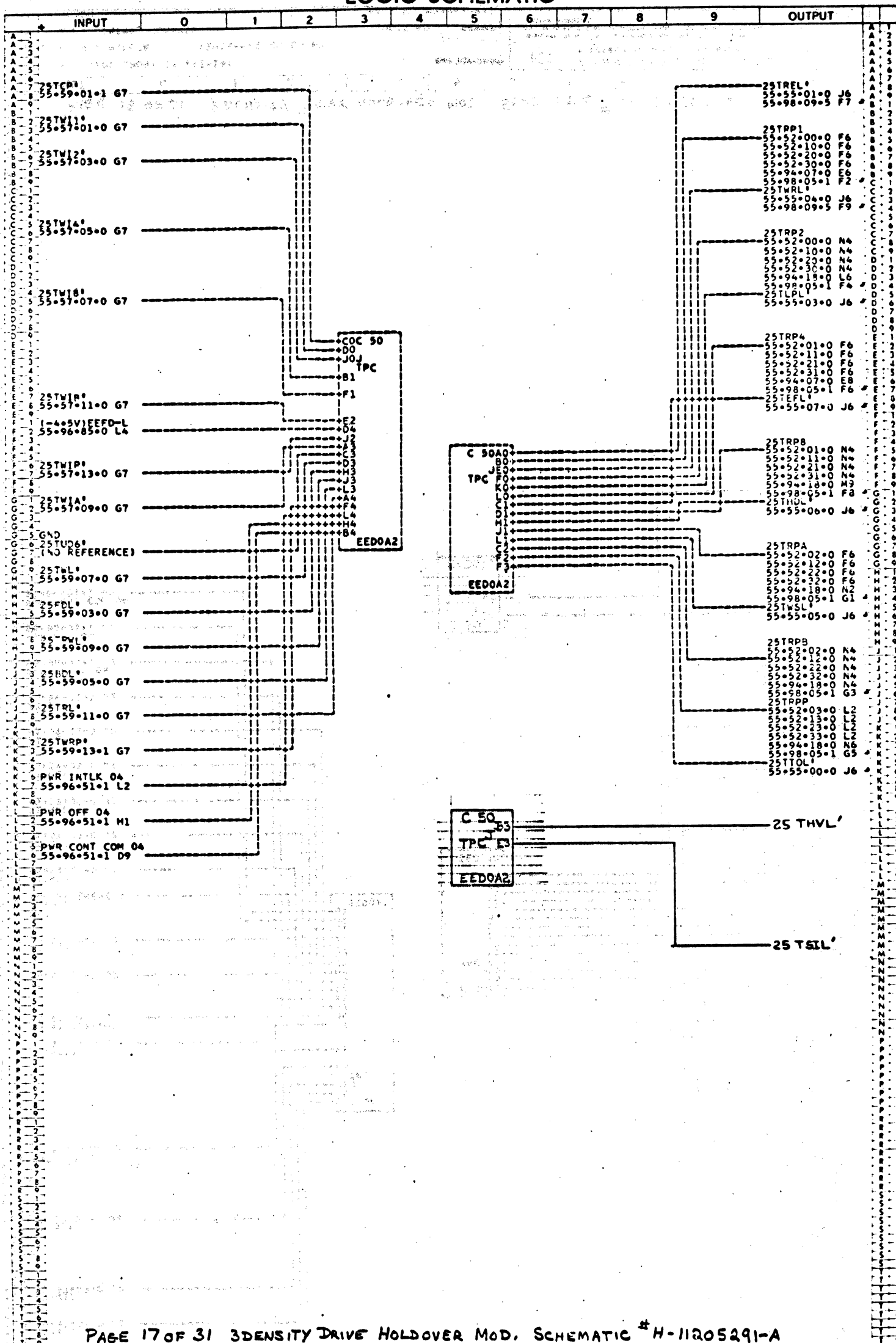
PAGE 15 OF 31 3 DENSITY DRIVE HOLDOVER MOD. SCHEMATIC # H-11205291-A

INPUT	0	1	2	3	4	5	6	7	8	9	OUTPUT	
U 2 TITLE	MAG TAPE XPORT 21	(12-111)										U 2
U 4 DRAWN BY	R J MILLER	12-12-61	CHECKED BY									U 4
U 6 UNIT NAME	CENTRAL CONTROL											U 6
U 8 SYSTEM	5000											U 8

**BURROUGHS CORPORATION**  
 ELECTRODATA DIV., PASADENA, CALIFORNIA  
PROPERTY OF BURROUGHS CORPORATION - NOT TO BE REPRODUCED OR USED FOR MANUFACTURING PURPOSES, EXCEPT ON BURROUGHS ORDER OR PRIOR WRITTEN CONSENT.



# LOGIC SCHEMATIC



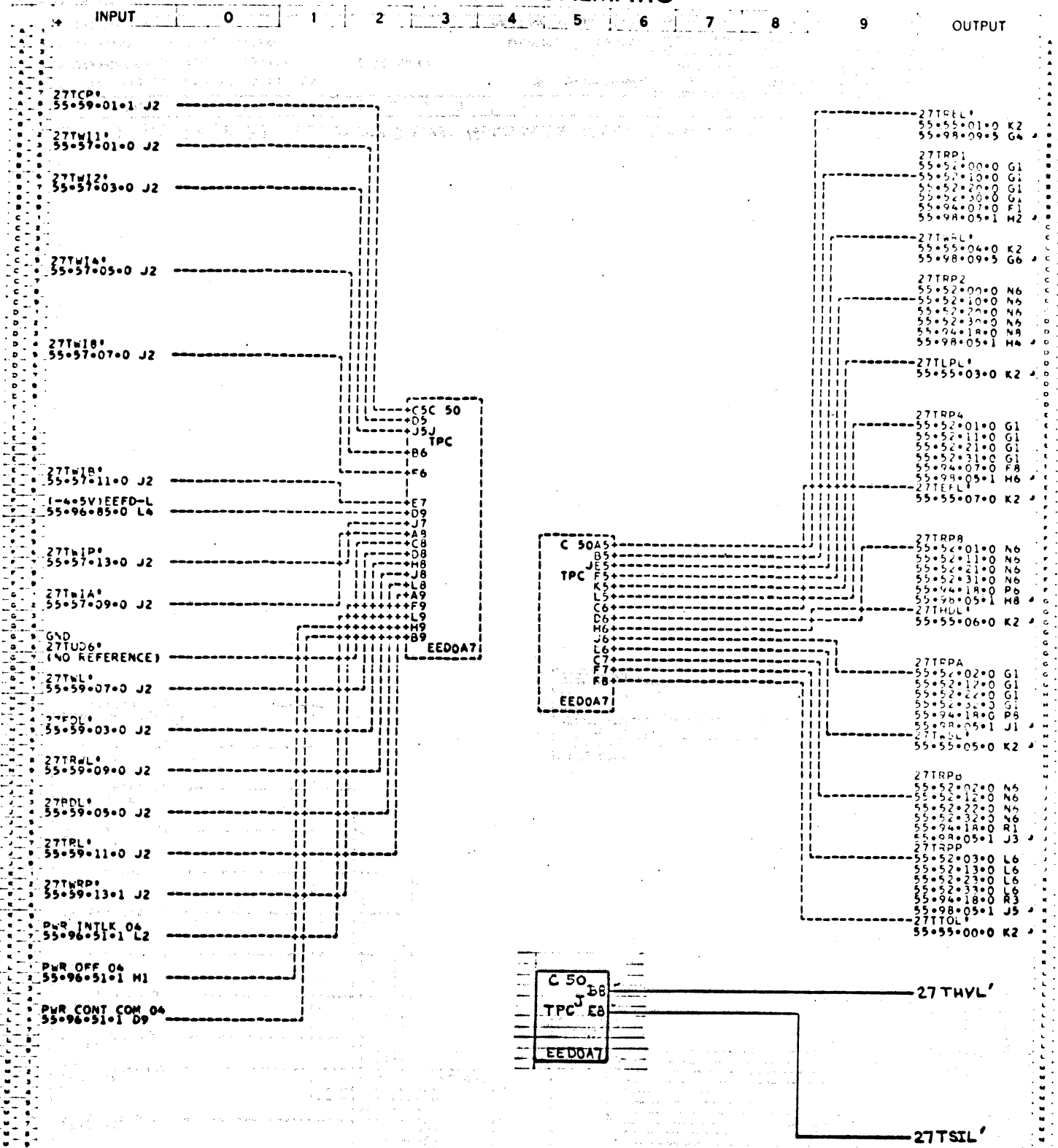
PAGE 17 OF 31 3 DENSITY DRIVE HOLDOVER MOD. SCHEMATIC # H-11205291-A

INPUT	0	1	2	3	4	5	6	7	8	9	OUTPUT
U 2 TITLE MAG TAPE XPORT 25 (12-13)											U 2
U 4 DRAWN BY R J MILLER 12-12-61											U 4
U 6 UNIT NAME CENTRAL CONTROL											U 6
U 8 SYSTEM 5000											U 8

ELECTRODATA M&E DIVISION  
**Burroughs Corporation**  
 PASADENA CALIFORNIA  
PROMPTLY OF BURROUGHS CORPORATION NOT TO BE REPRODUCED, NOR USED FOR MANUFACTURING PURPOSES EXCEPT ON BURROUGHS ORDER OR PRIOR WRITTEN CONSENT



# LOGIC SCHEMATIC



PAGE 18 OF 31 3DENSITY DRIVE HOLDOVER MOD. SCHEMATIC # H-1120 5291-A

INPUT	0	1	2	3	4	5	6	7	8	9	OUTPUT
U 2 TITLE MAG TAPE XPORT 27 (12-14)											
U 4 DRAWN BY R J MILLER											
U 6 UNIT NAME CENTRAL CONTROL											
U 8 SYSTEM 3000											

H- 00000000

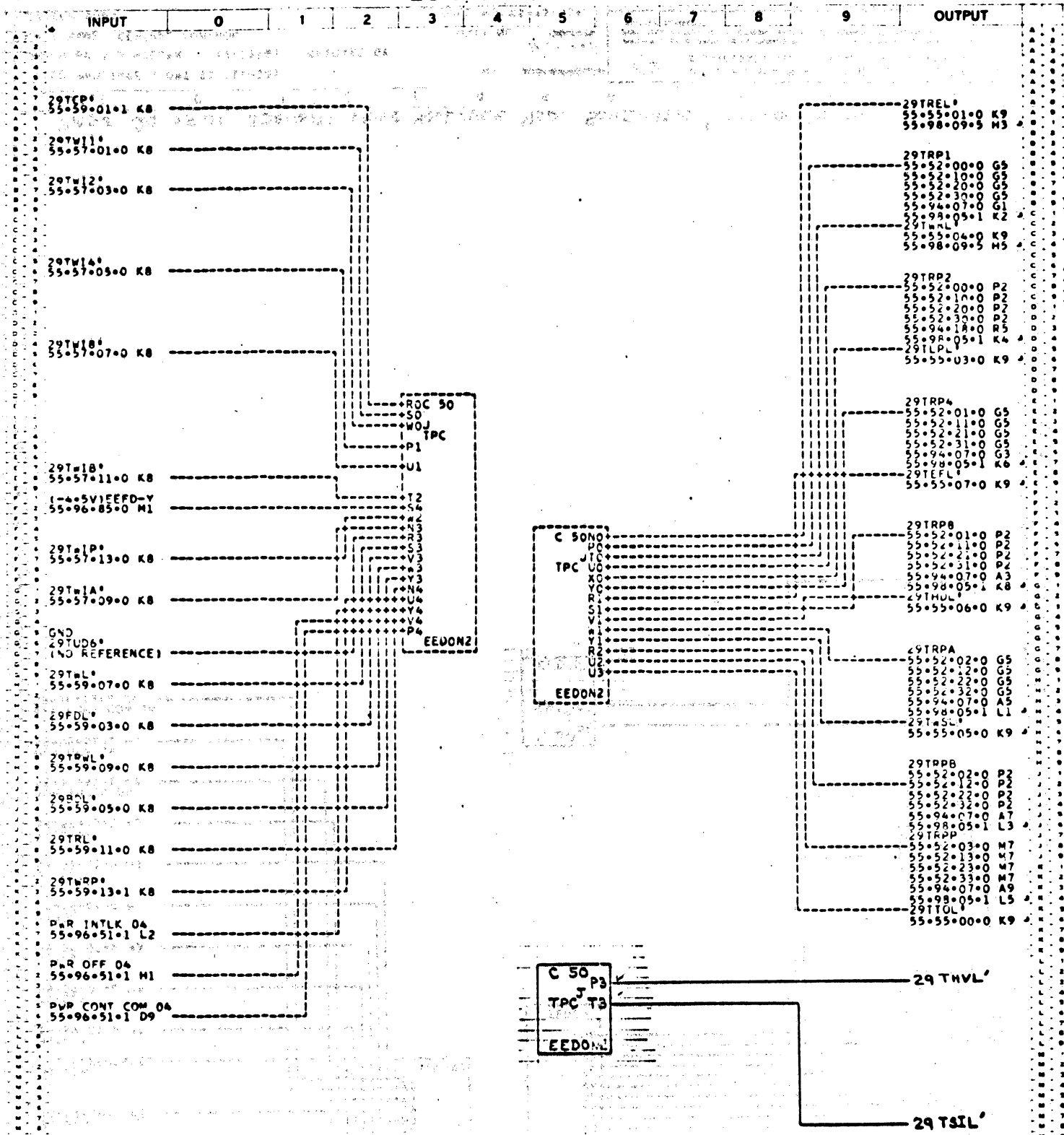
UNIT NO. 1120 5291

PAGE NO. 5596-38-1

**BURROUGHS CORPORATION**  
ELECTRODATA DIV., PASADENA, CALIFORNIA

PROPERTY OF BURROUGHS CORPORATION. NOT TO BE REPRODUCED, NOR USED FOR MANUFACTURING PURPOSES, EXCEPT ON BURROUGHS ORDER OR PRIOR WRITTEN CONSENT.

# LOGIC SCHEMATIC



PAGE 19 OF 31 3 DENSITY DRIVE HALDOVER MOD. SCHEMATIC # H-11205291-A

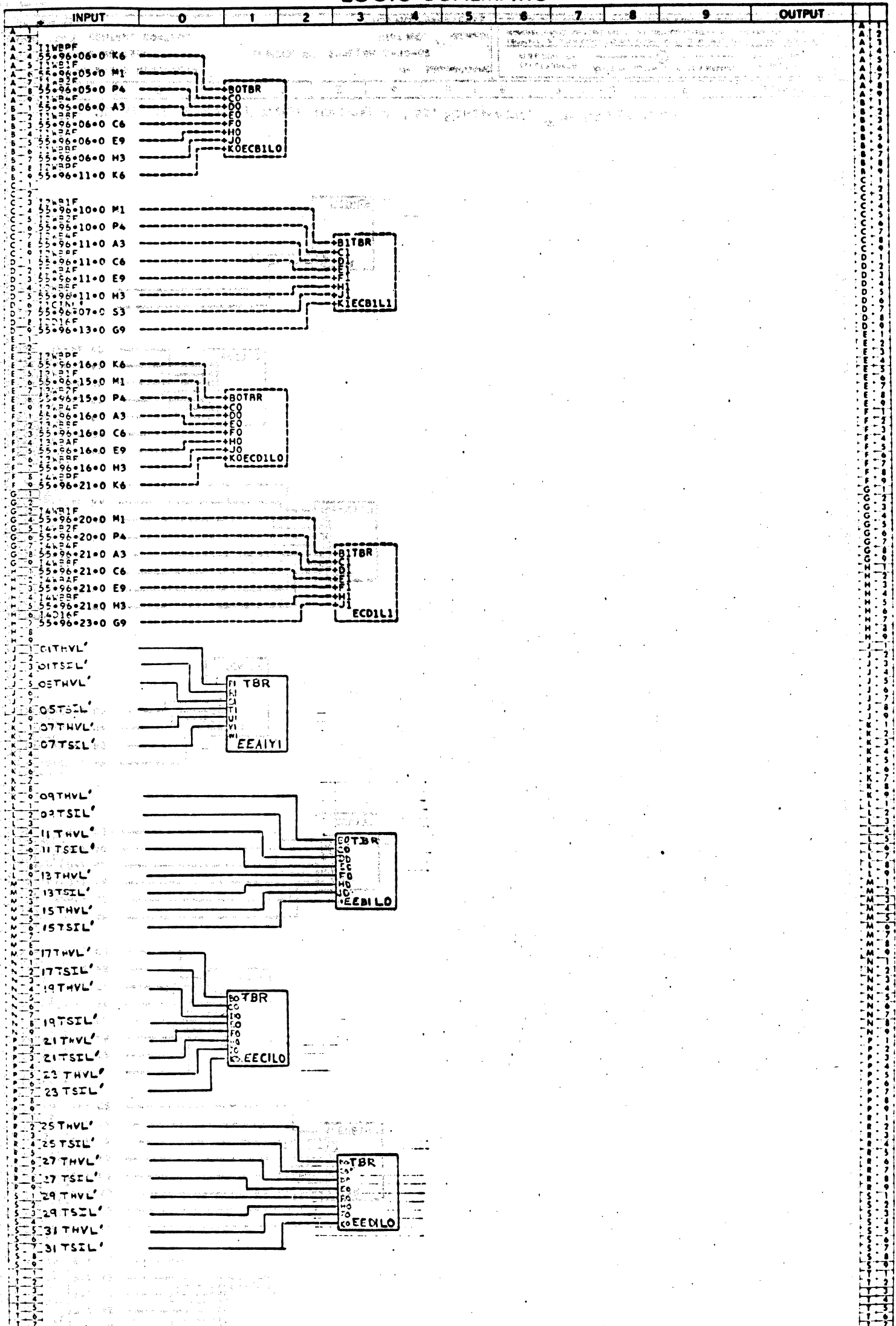
INPUT	0	1	2	3	4	5	6	7	8	9	OUTPUT
U 2	TITLE	MAG	TAPE	XPORT	29	(12-15)					
U 4	DRAWN BY	R J	MILLER	12-12-61	CHECKED BY						
U 6	UNIT NAME	CENTRAL	CONTROL								
U 8	SYSTEM	4000									

**BURROUGHS CORPORATION**  
ELECTRODATA DIV., PASADENA, CALIFORNIA

PROPERTY OF BURROUGHS CORPORATION - NOT TO BE REPRODUCED, FOR USE  
FOR MANUFACTURING PURPOSES, EXCEPT ON BURROUGHS ORDER OR WITH  
WRITER CONSENT.



# LOGIC SCHEMATIC

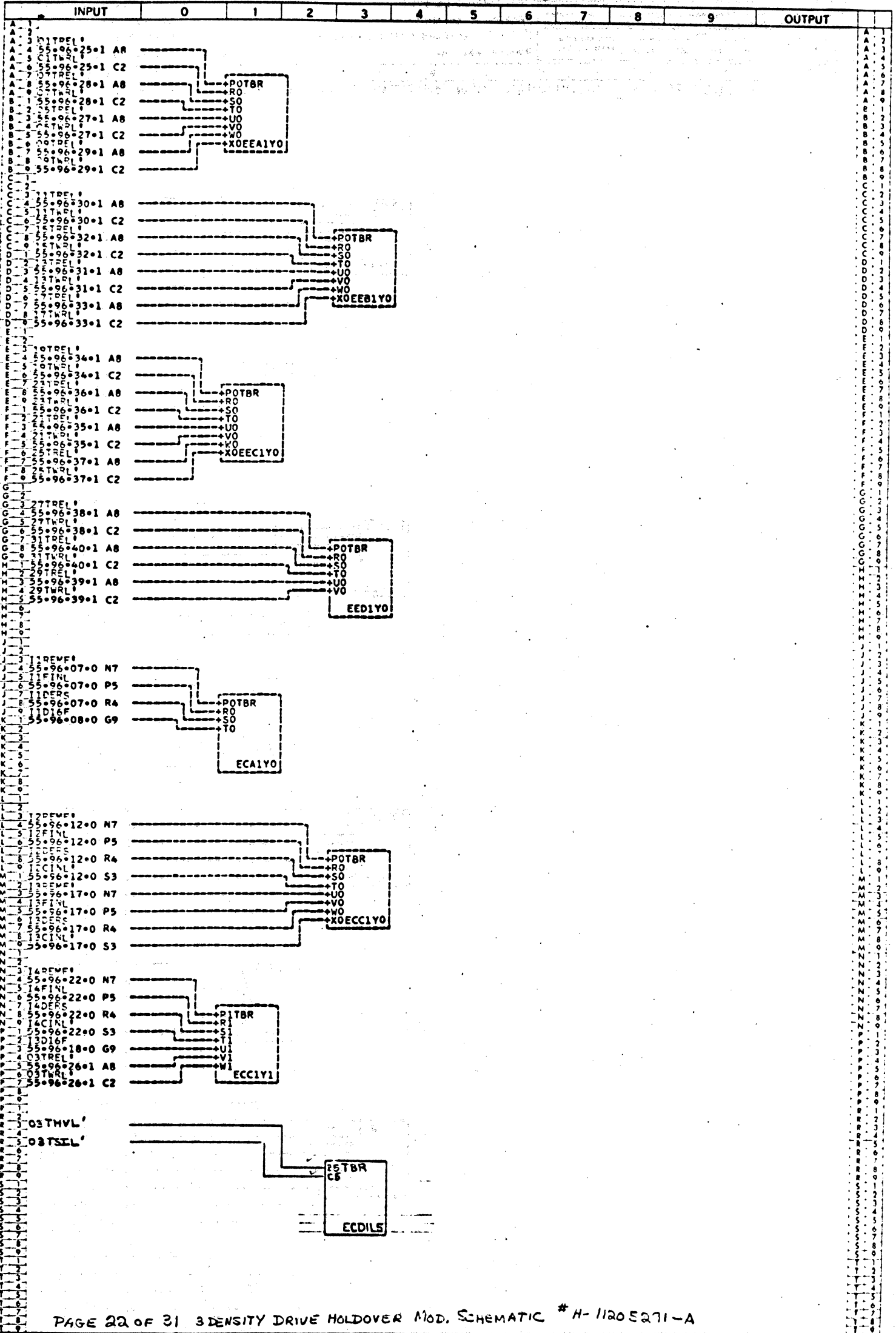


PAGE 21 OF 31 3 DENSITY DRIVE HOLDOVER MOD. SCHEMATIC # H-11205291-A

INPUT	0	1	2	3	4	5	6	7	8	9	OUTPUT
U 2 TITLE	TERMINATING RESISTORS										U 2
U 4 DRAWN BY	W WENTSEL										U 4
U 6 UNIT NAME	CENTRAL CONTROL										U 6
U 8 SYSTEM	SC00										U 8

ELECTRODATA M & E DIVISION	<b>Burroughs Corporation</b>  PASADENA CALIFORNIA	U 2
PROPERTY OF BURROUGHS CORPORATION - NOT TO BE REPRODUCED, NOR USED FOR MANUFACTURING PURPOSES EXCEPT ON BURROUGHS ORDER OR PRIOR WRITTEN CONSENT		

# LOGIC SCHEMATIC

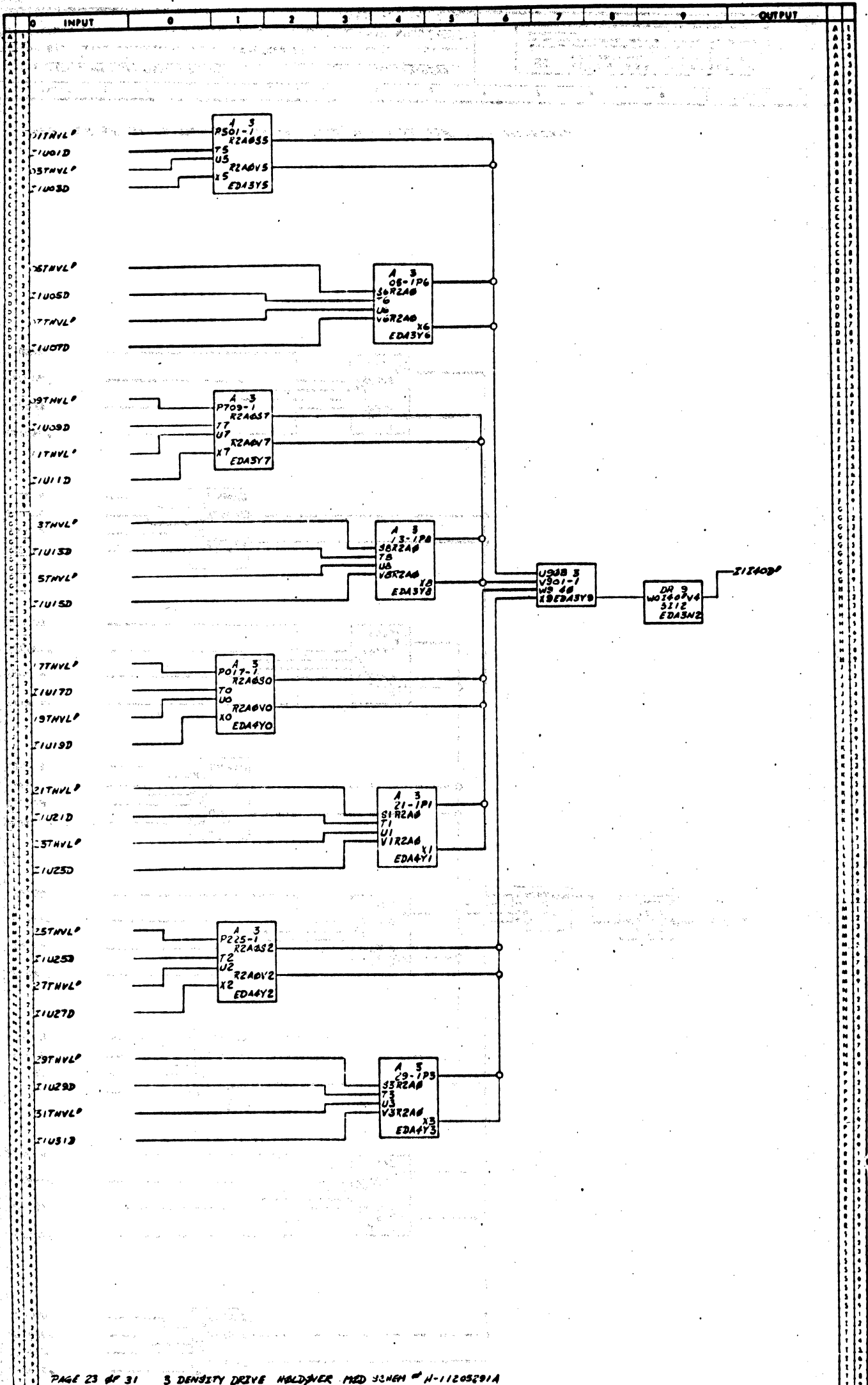


PAGE 22 OF 31 3 DENSITY DRIVE HOLDOVER MOD. SCHEMATIC # H-11205271-A

INPUT	0	1	2	3	4	5	6	7	8	9	OUTPUT
U 2 TITLE TERMINATING RESISTORS											
U 4 DRAWN BY R W WENTSEL											
U 6 UNIT NAME CENTRAL CONTROL											
U 8 SYSTEM 9000											

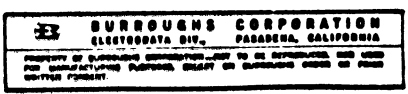
ELECTRODATA M & E DIVISION	<b>Burroughs Corporation</b>	PASADENA CALIFORNIA
PROPERTY OF BURROUGHS CORPORATION NOT TO BE REPRODUCED, NOR USED FOR MANUFACTURING PURPOSES, EXCEPT ON BURROUGHS ORDER OR PRIOR WRITTEN CONSENT		

LOGIC SCHEMATIC

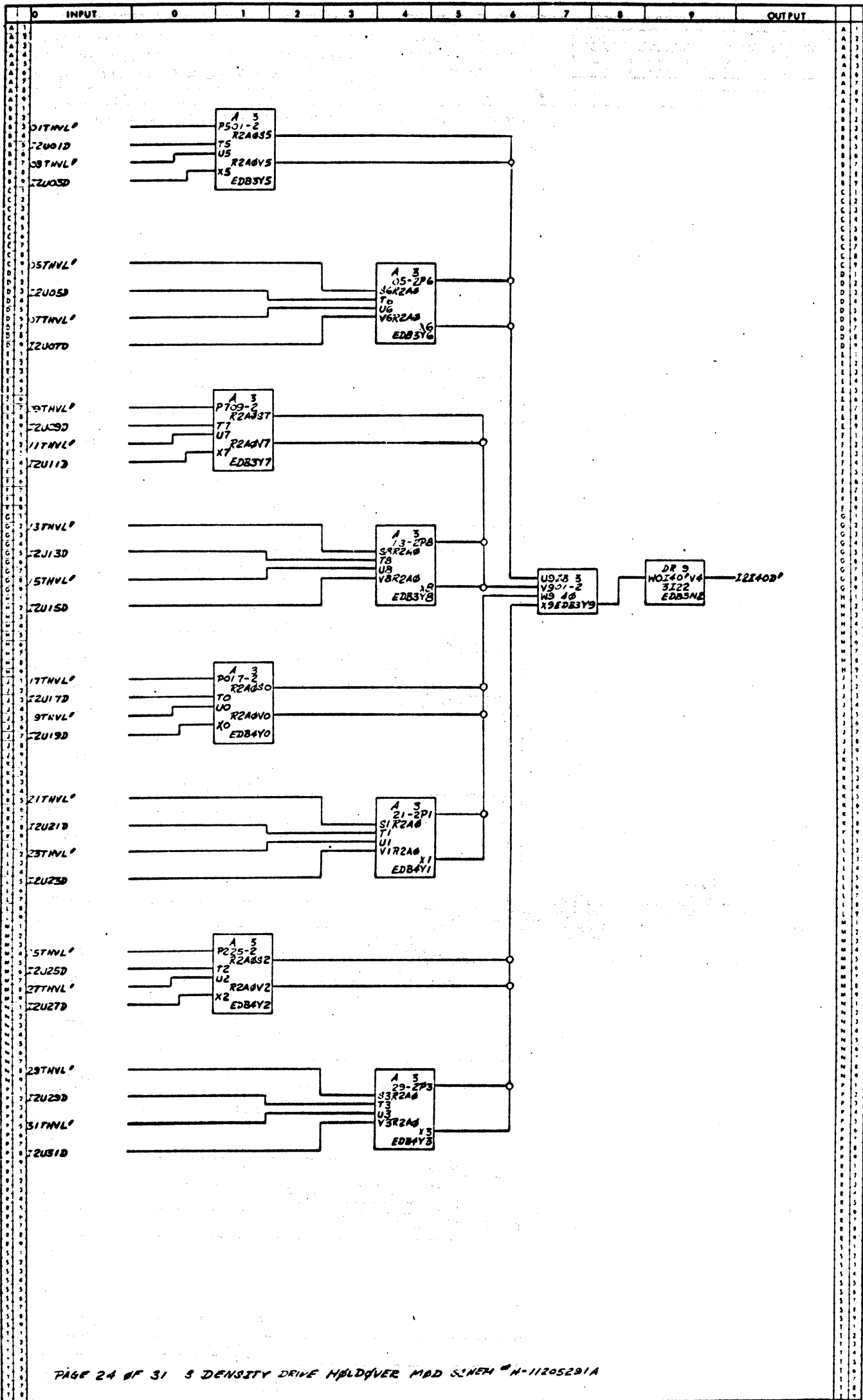


PAGE 23 OF 31 3 DENSITY DRIVE HOLDOVER MOD SCHEM # H-11205291A

INPUT	0	1	2	3	4	5	6	7	8	9	OUTPUT
U 2	TITLE <u>Tape Print Control - J12400</u>										
U 4	DRAWN BY <u>TJ</u> CHECKED BY _____										
U 6	UNIT NAME _____ UNIT NO. <u>121531</u>										
U 8	SYSTEM _____ PAGE NO. _____										



LOGIC SCHEMATIC

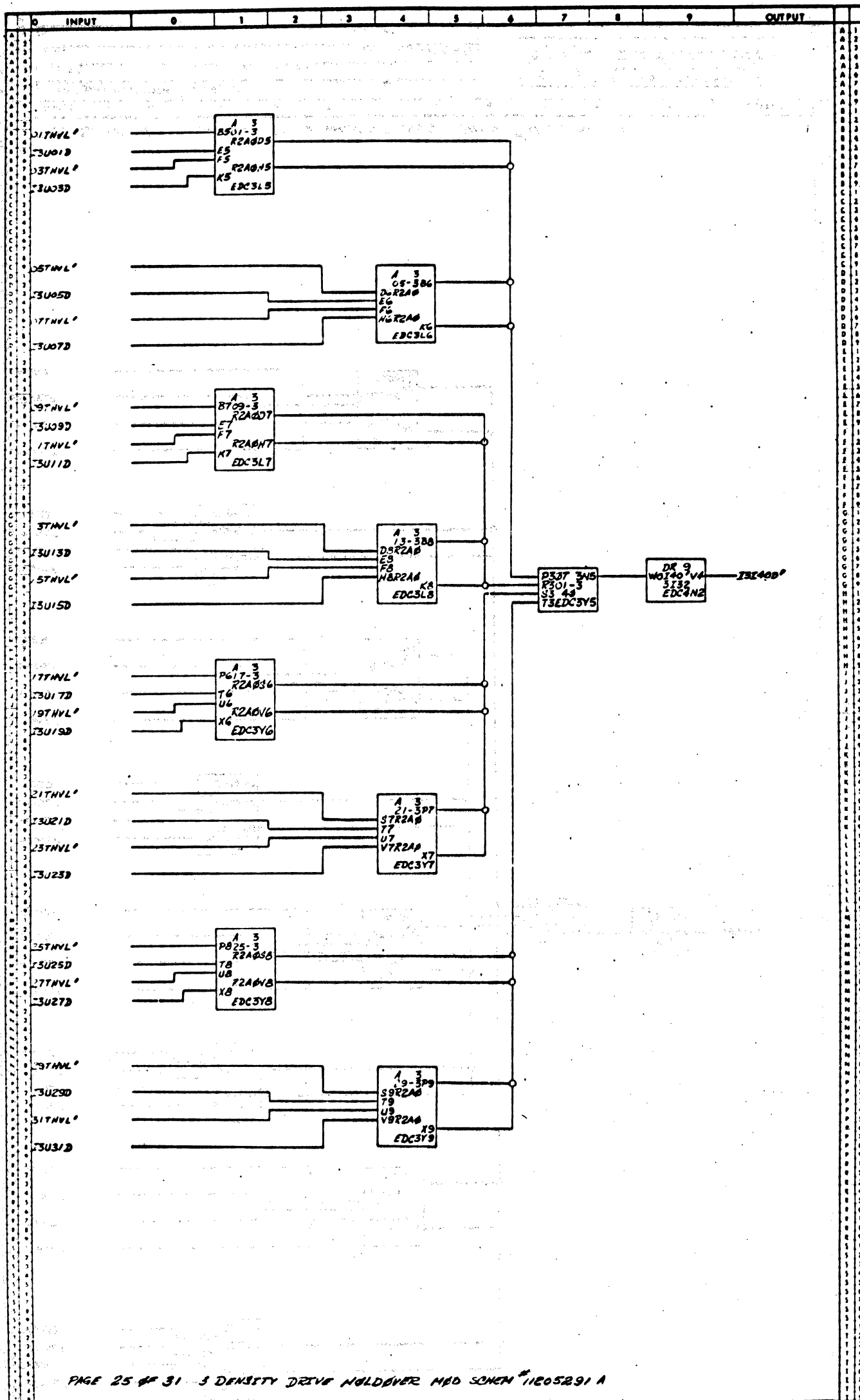


PAGE 24 OF 31 3 DENSITY DRIVE HOLDOVER MOD SCHEM #N-11205291A

	INPUT	0	1	2	3	4	5	6	7	8	9	OUTPUT
U 2	TITLE	TAPE INPUT CONTROL I2X40B										N-11205291A
U 4	DRAWN BY	J.S.										CHECKED BY
U 6	UNIT NAME											UNIT NO. 1120531
U 8	SYSTEM											PAGE NO.

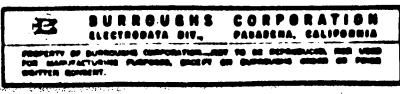
BURROUGHS CORPORATION  
 ELECTRODATA DIV. PASADENA, CALIFORNIA  
PROPERTY OF BURROUGHS CORPORATION - NOT TO BE REPRODUCED, COPIED, LOANED, OR USED FOR ANY PURPOSES WITHOUT THE WRITTEN PERMISSION OF BURROUGHS CORPORATION.

LOGIC SCHEMATIC



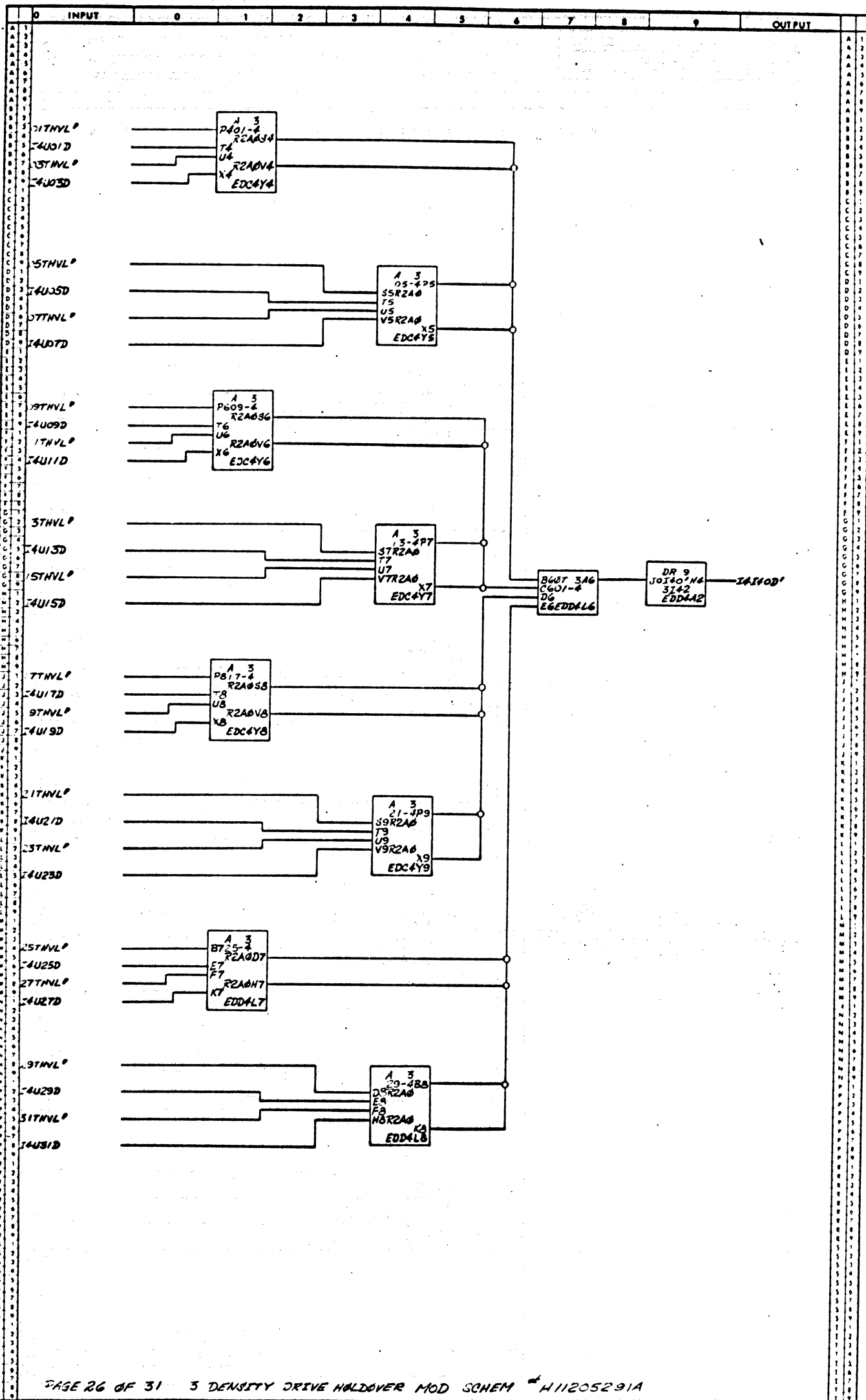
PAGE 25 OF 31 - 5 DENSITY DRIVE HOLDOVER MBD SCHEM #1105291 A

INPUT	0	1	2	3	4	5	6	7	8	9	OUTPUT
U 2	TITLE TAPE INPUT CONTROL T3I40D										U 2
U 4	DRAWN BY TP					CHECKED BY					U 4
U 6	UNIT NAME					UNIT NO 1121651					U 6
U 8	SYSTEM					PAGE NO					U 8





LOGIC SCHEMATIC

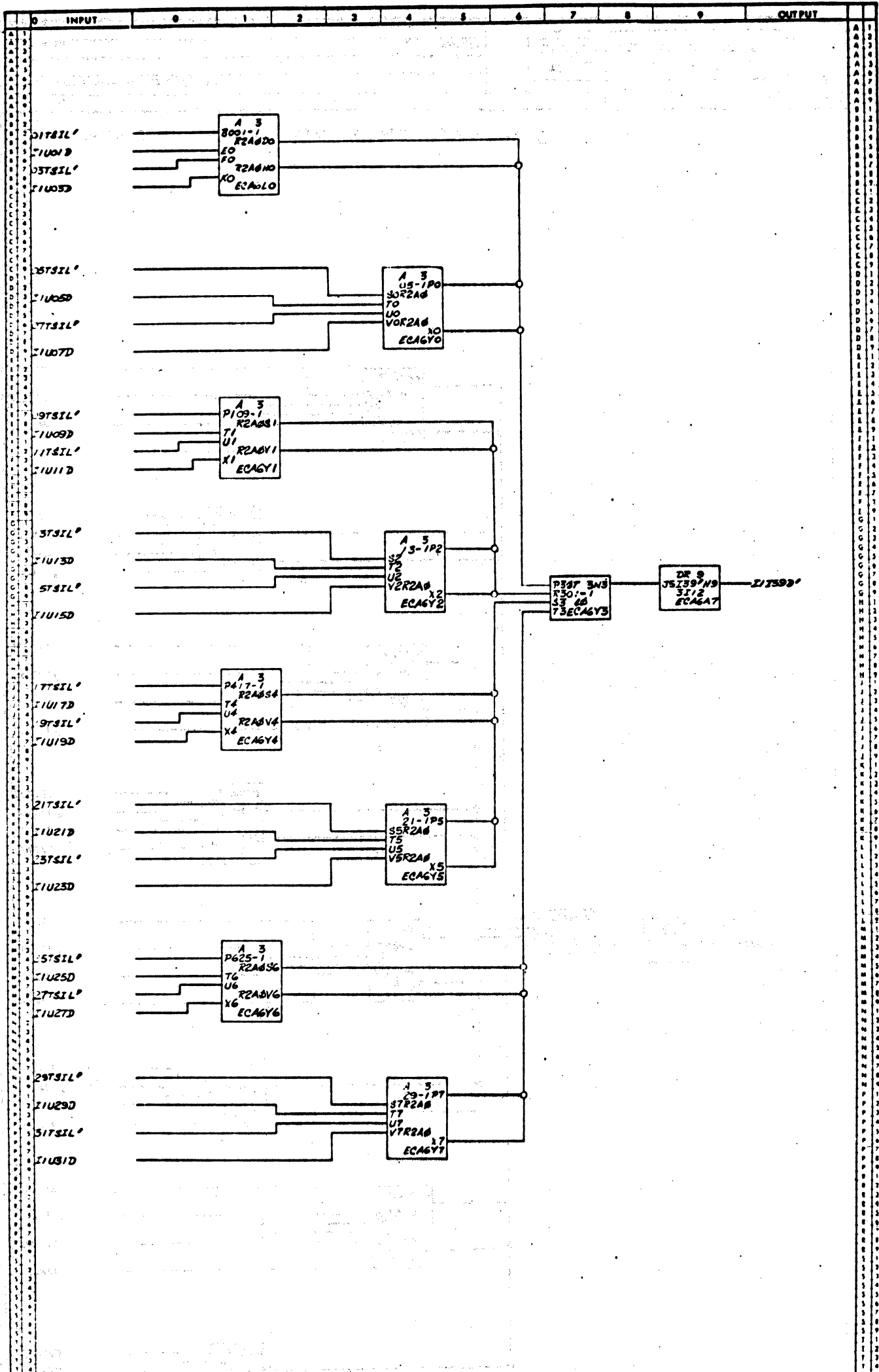


PAGE 26 OF 31 3 DENSITY DRIVE HALDOVER MOD SCHEM #H11205291A

INPUT	0	1	2	3	4	5	6	7	8	9	OUTPUT
U 2	TITLE TAPE INPUT CENTRAL 2A140D										
U 4	DRAWN BY J.L. CHECKED BY										
U 6	UNIT NAME UNIT NO L1210531										
U 8	SYSTEM PAGE NO										

**BURROUGHS CORPORATION**  
 ELECTRODATA DIV. PASADENA, CALIFORNIA  
 PROPERTY OF BURROUGHS CORPORATION. NOT TO BE REPRODUCED, FOR USE  
 FOR MANUFACTURING PURPOSES, EXCEPT BY BURROUGHS OR AS PER  
 WRITTEN CONSENT.

LOGIC SCHEMATIC

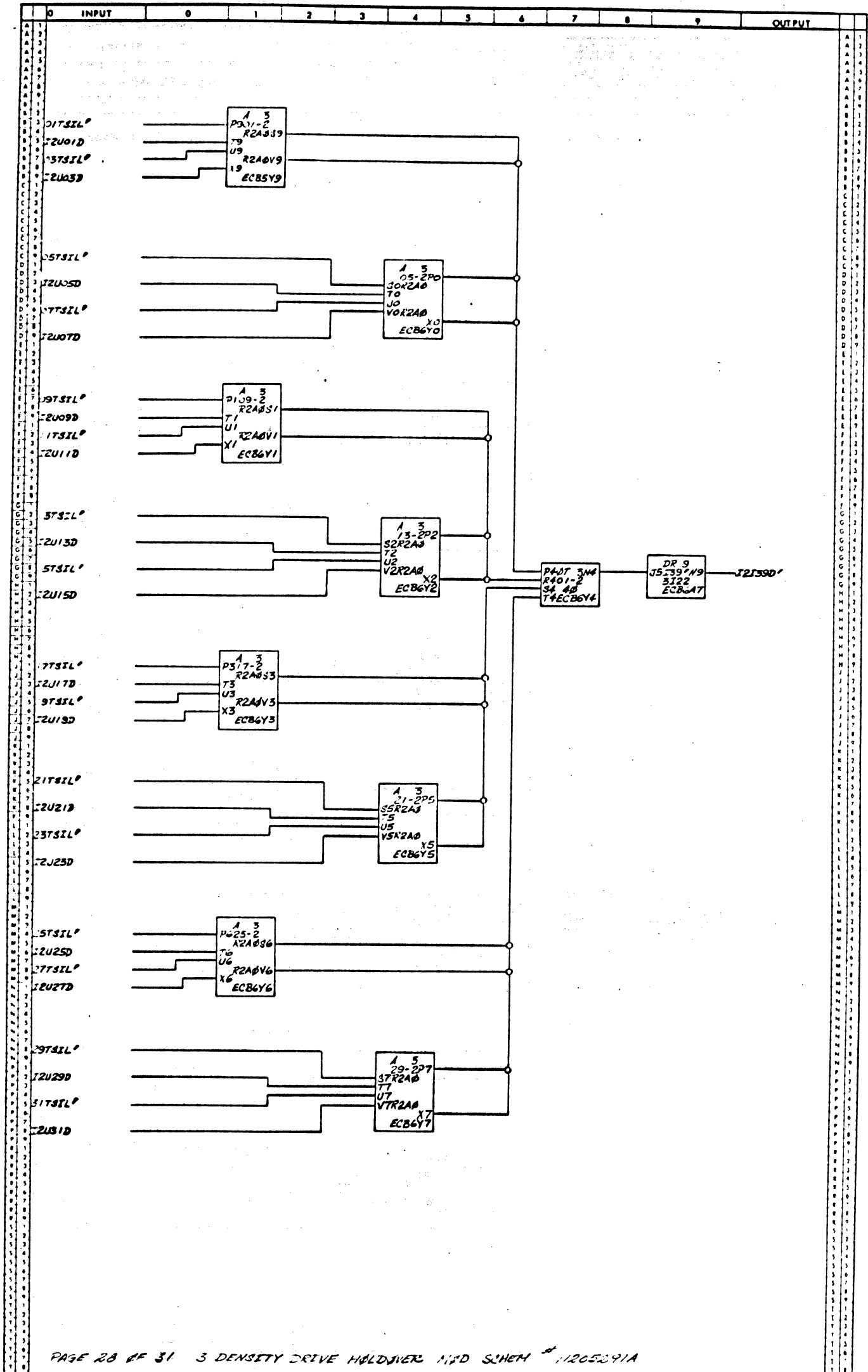


PAGE 27 OF 31 5 DENSITY DRIVE HOLDOVER MASK SCHEM 11205291-A

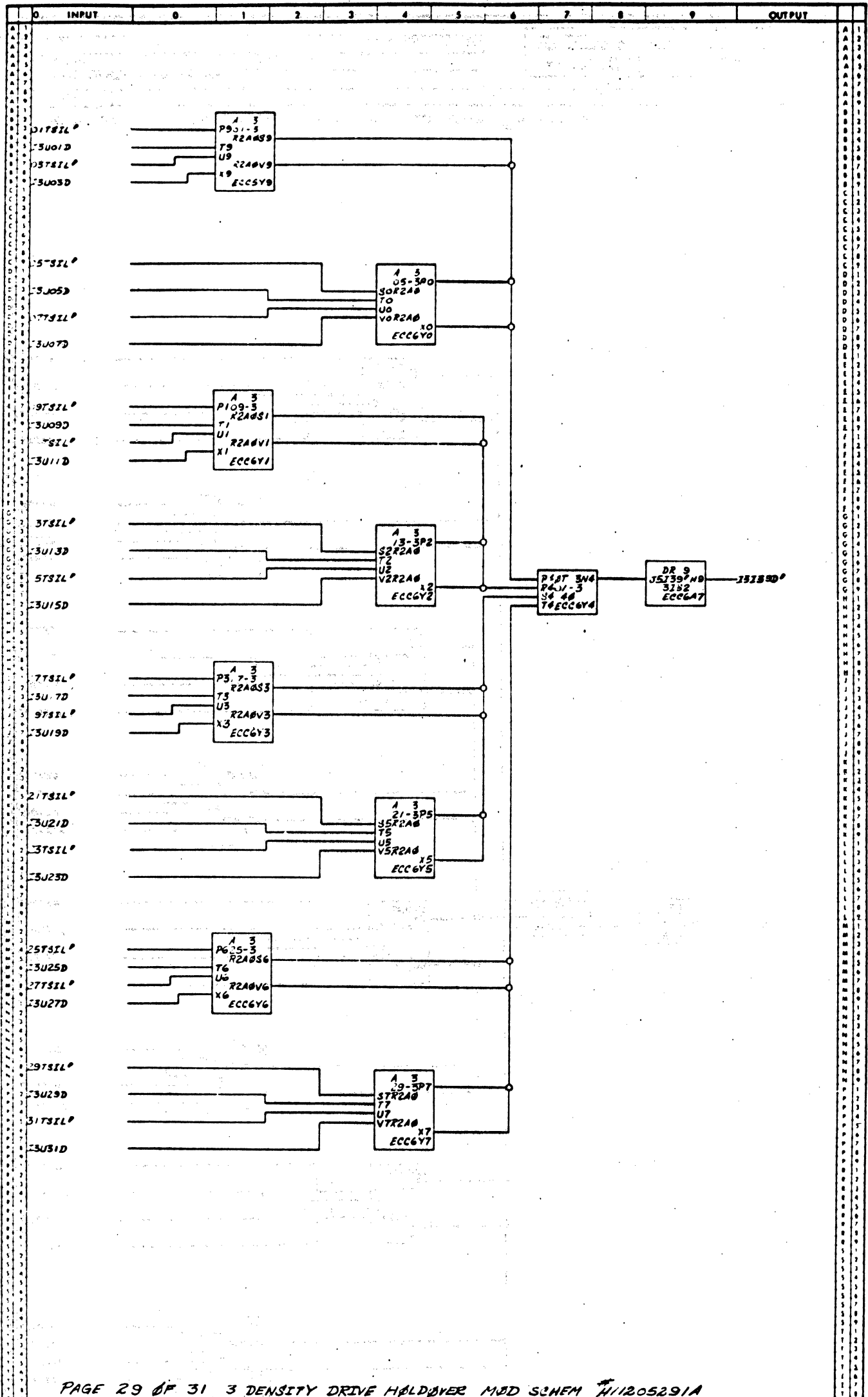
INPUT	0	1	2	3	4	5	6	7	8	9	OUTPUT
U 2	TITLE TAPE INPUT CONTROL ELEMENT										
U 4	DRAWN BY: [Signature] CHECKED BY: _____										
U 6	UNIT NAME: _____ UNIT NO: 11210531										
U 8	SYSTEM: _____ PAGE NO: _____										



LOGIC SCHEMATIC



LOGIC SCHEMATIC

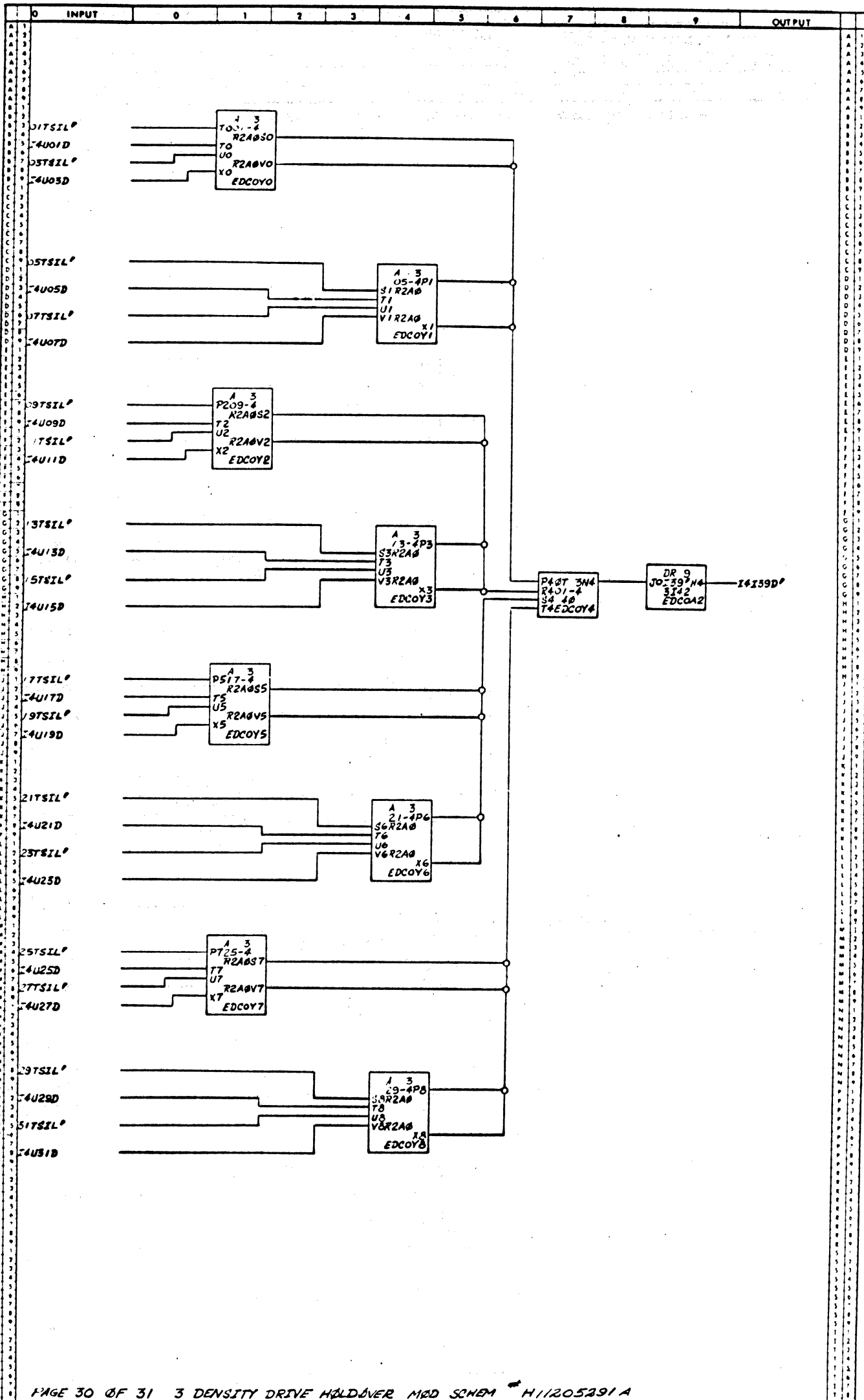


PAGE 29 OF 31 3 DENSITY DRIVE HOLDOVER MDD SCHEM #11205291A

U 2	INPUT	0	1	2	3	4	5	6	7	8	9	OUTPUT	U 2
U 4	TITLE TAPE INPUT CONTROL J51397												U 4
U 6	DRAWN BY <i>TS</i> CHECKED BY _____												U 6
U 8	UNIT NAME _____ UNIT NO. <i>1120531</i>												U 8
SYSTEM _____ PAGE NO. _____													

**BURROUGHS CORPORATION**  
 ELECTRODATA DIV. PASADENA, CALIFORNIA  
 PROPERTY OF BURROUGHS CORPORATION. NOT TO BE REPRODUCED, COPIED, OR USED FOR REPRODUCING PURPOSES, EXCEPT ON BURROUGHS ORDER OR FROM BURROUGHS EMPLOYEES.

LOGIC SCHEMATIC

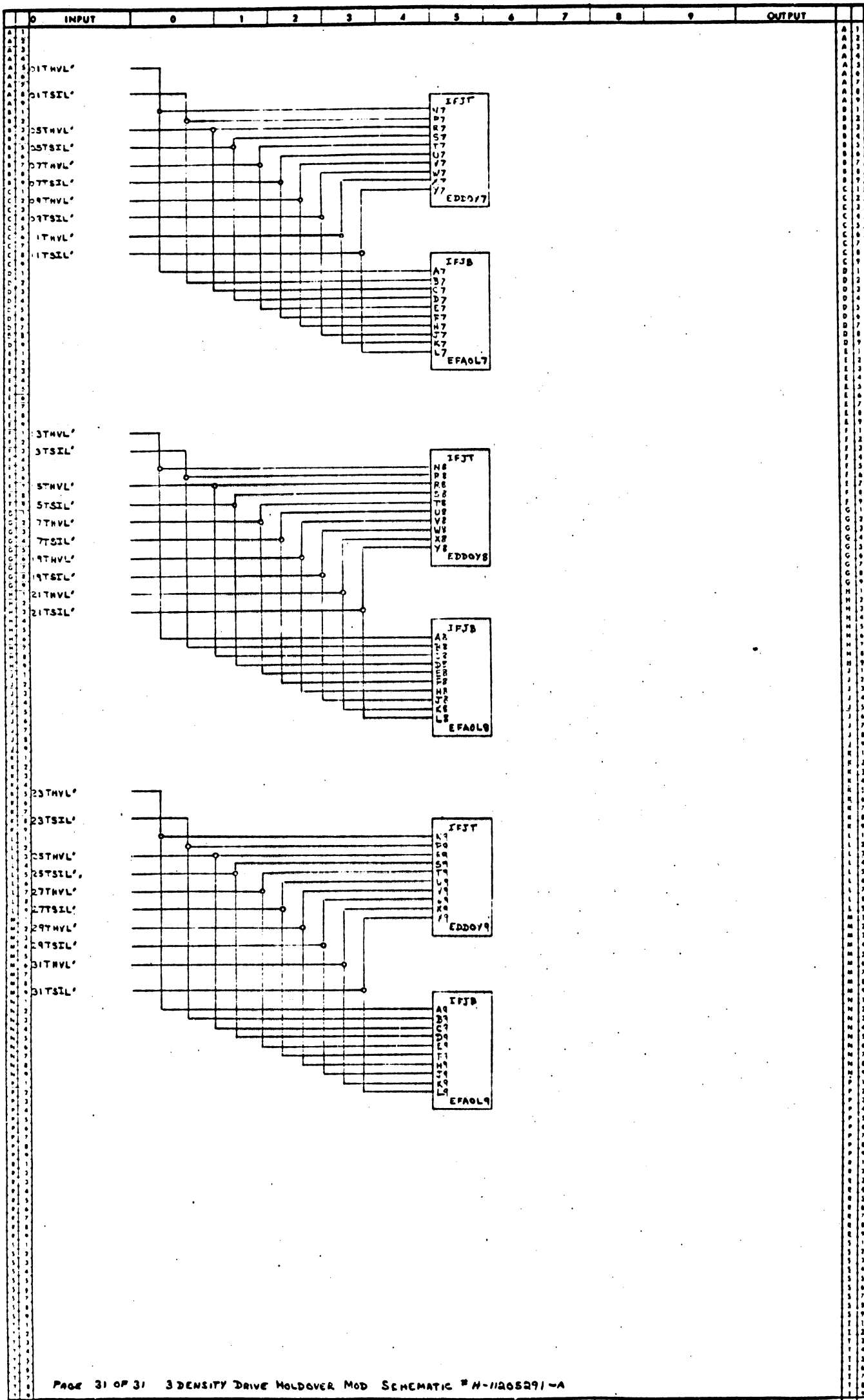


PAGE 30 OF 31 3 DENSITY DRIVE HOLDOVER MOD SCHEM H11205291 A

INPUT	0	1	2	3	4	5	6	7	8	9	OUTPUT	
U 2	TITLE TAPE INPUT CONTROL 24139D											U 2
U 4	DRAWN BY <u>JS</u> CHECKED BY _____											U 4
U 6	UNIT NAME _____ UNIT NO. <u>11210531</u>											U 6
U 8	SYSTEM _____ PAGE NO. _____											U 8

**BURROUGHS CORPORATION**  
 ELECTRODATA DIV. PASADENA, CALIFORNIA  
 PROPERTY OF BURROUGHS CORPORATION. NOT TO BE REPRODUCED, COPIED, USED FOR MANUFACTURING PURPOSES, EXCEPT BY BURROUGHS OR AS HEREIN WRITTEN OR AGREED.

LOGIC SCHEMATIC



PAGE 31 OF 31 3 DENSITY DRIVE HOLDOVER MOD SCHEMATIC #N-11205291-A

U 2	TITLE <u>INTER FRAME JUMPERS</u>	N-11205291	U 2
U 4	DRAWN BY <u>DAVID A. SHEPARD</u>	CHECKED BY _____	U 4
U 6	UNIT NAME <u>CENTRAL EASTERN - 544 JARS</u>	UNIT NO <u>1121251</u>	U 6
U 8	SYSTEM <u>7000</u>	PAGE NO _____	U 8

**BURROUGHS CORPORATION**  
 ELECTRODATA DIV., PASADENA, CALIFORNIA  
 PROPERTY OF BURROUGHS CORPORATION. NOT TO BE REPRODUCED, COPIED, OR USED FOR MANUFACTURING PURPOSES, EXCEPT ON BURROUGHS ORDER OR FROM OFFICE SUPPLY.