

**CONTROL DATA  
CDTM-2 DIGITAL  
TAPE HANDLER**

**CONTROL DATA  
CDTM-2 DIGITAL  
TAPE HANDLER**

## TABLE OF CONTENTS

Table of Contents . . . . .	ii
List of Illustrations . . . . .	vi

### CHAPTER ONE -- DESCRIPTION/SPECIFICATIONS

General Description . . . . .	1-1
Tape Transport Mechanism . . . . .	1-1
Head Assembly . . . . .	1-2
Photosense . . . . .	1-2
Transport Electronics . . . . .	1-3
Voltage Regulator . . . . .	1-3
Air Filter . . . . .	1-3
Functional Description . . . . .	1-4
Specifications . . . . .	1-5
Operating Characteristics . . . . .	1-6
Programming . . . . .	1-6
Controls . . . . .	1-8
Automatic Controls . . . . .	1-9
Indicators . . . . .	1-9
General . . . . .	1-10

### CHAPTER TWO -- INSTALLATION

General . . . . .	2-1
Uncrating . . . . .	2-2
Mounting . . . . .	2-2
Interconnecting Cabling . . . . .	2-3
Control Wiring . . . . .	2-3
Read/Write Head Connections . . . . .	2-4

### CHAPTER THREE -- OPERATION

Operating Controls . . . . .	3-1
Threading Tape Leader . . . . .	3-2
Installing File (Supply) Reel . . . . .	3-3

### CHAPTER FOUR -- CHECKOUT AND ADJUSTMENT

General . . . . .	4-1
Preliminary Adjustments	
Checking Drive Belt Adjustment . . . . .	4-1

CHAPTER EIGHT -- SCHEMATIC DIAGRAMS

CHAPTER NINE -- PARTS IDENTIFICATION

Foreword . . . . .	9-1
Head Cable and Box Assembly, Ampex Cat. No. 300502-09.	9-2
Photosense Chassis, Ampex Catalog Number 68017-3 . . . . .	9-4
Base Card Composite Assembly . . . . .	9-9
Diode Bracket Assembly . . . . .	9-12
Plate Assembly, Connector. . . . .	9-13
+6 vdc Power Supply. . . . .	9-14
-10 vdc Power Supply . . . . .	9-15
+12 vdc Power Supply . . . . .	9-16
Tape Transport Assembly, Ampex Catalog Number 65261-5.	9-17
Base Assembly, Vacuum Blower . . . . .	9-36
Cable Assembly . . . . .	9-38
Capacitor/Meter Mounting Plate Assembly. . . . .	9-41
Capstan Drive Motor Assembly (65433-1) . . . . .	9-43
Capstan Drive Motor Assembly (69362-2) . . . . .	9-46
Oscillator Assembly OSC-700. . . . .	9-49
Precision Plate (65458-51) . . . . .	9-53
Precision Plate (65458-52, -53). . . . .	9-62
Reel Retainer Assembly . . . . .	9-72
Servo Control Assembly . . . . .	9-74
Vacuum Blower Assembly . . . . .	9-76
Vacuum Chamber Assembly. . . . .	9-78
Transport Access Door, Ampex Catalog Number 65368-2. . . . .	9-81
Transport Electronics Assembly, Ampex Cat. No. 65260-1	9-84
Electronics Power Supply PS-100. . . . .	9-88
Servo Motor Power Supply PS-200. . . . .	9-103
Chassis Assembly CC-300. . . . .	9-109
Actuator Control Unit AC-400 . . . . .	9-114
Servo Amplifier SA-500 . . . . .	9-121

## LIST OF ILLUSTRATIONS

<u>Figure</u>	<u>Description</u>
CHAPTER ONE -- DESCRIPTION/SPECIFICATIONS	
1-1	Tape Transport Mechanism
1-2	Head Assembly
1-3	Transport Electronics
1-4	Voltage Regulator
1-5	Start Speed Variation
1-6	Line Voltage vs. Stop Delay Requirement
CHAPTER TWO -- INSTALLATION	
2-1	Mounting Details, Tape Transport
2-2	Mounting Details, Transport Electronics
2-3	Mounting Details, Voltage Regulator
2-4	Mounting Details, Air Filter
2-5	Cabling Diagram
2-6	Simplified Control Circuits
2-7	Head Cable Connections
CHAPTER THREE -- OPERATION	
3-1	Threading Leader on Take-Up Reel
3-2	Tape Threading Path
3-3	Mounting a File Reel
CHAPTER FOUR -- PERFORMANCE CHECK AND SYSTEM SET-UP	
4-1	Measuring Tape Packer Tension
4-2	Location of Tape Packer Follower Switch
4-3	Tape Guide Adjustment Points
4-4	Old Style Capstan Rollers
4-5	New Style Capstan Rollers
4-6	Servo Amplifier Adjustment Points
4-7	Adjusting Servo Transducer
4-8	Adjusting Servo Gain
4-9	Test Set-Up, Start/Stop Time
4-10	Typical Waveforms, Start/Stop Time
4-11	Test Set-Up, Start/Stop Distance
4-12	Test Set-Up, Interchannel Time Displacement Error
4-13	Typical Waveforms, Interchannel Time Displacement Error

## CHAPTER NINE

### PARTS IDENTIFICATION

#### FOREWORD

The following pages supply parts identification for the CDTM-2 Tape Memory.

Components carrying an Ampex Catalog Number are product line items. Note, when ordering parts, that any serial number effectively refers to the catalog item, not to an assembly or sub-assembly part number.

In the ensuing parts list, assemblies whose part numbers are suffixed with an asterisk (\*) are further disassembled on succeeding pages. In general, the parts lists indicate the maximum permissible breakdown of assemblies. Further disassembly should not be undertaken, as special tools and fixtures may be required for proper assembly.

In correspondence with Ampex or when ordering parts to this equipment, order by Ampex Part number; be certain to specify, as well, the catalog number and serial number of the assembly to which the part belongs.

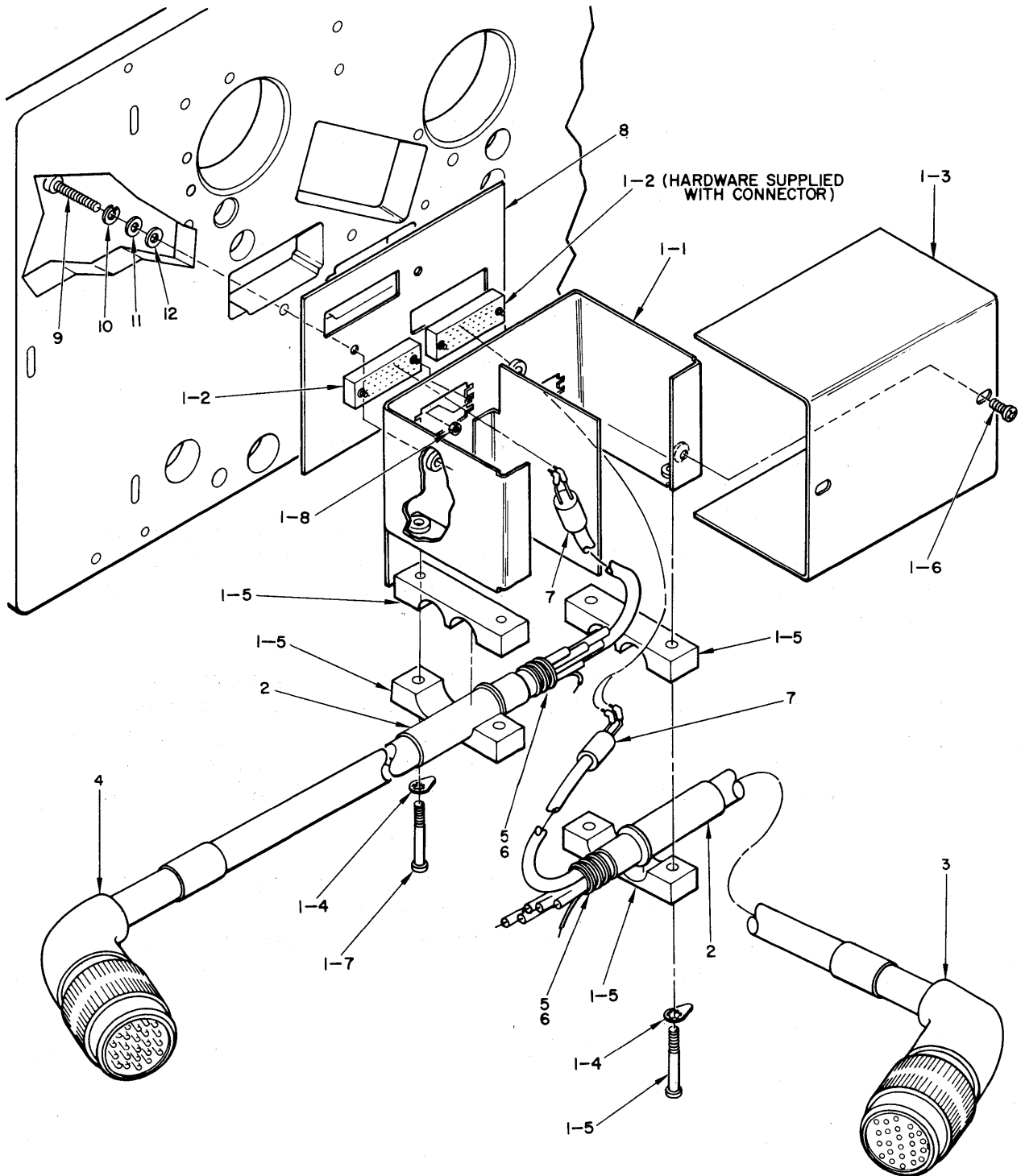


Figure 9-1  
 Head Cable and Box Assembly

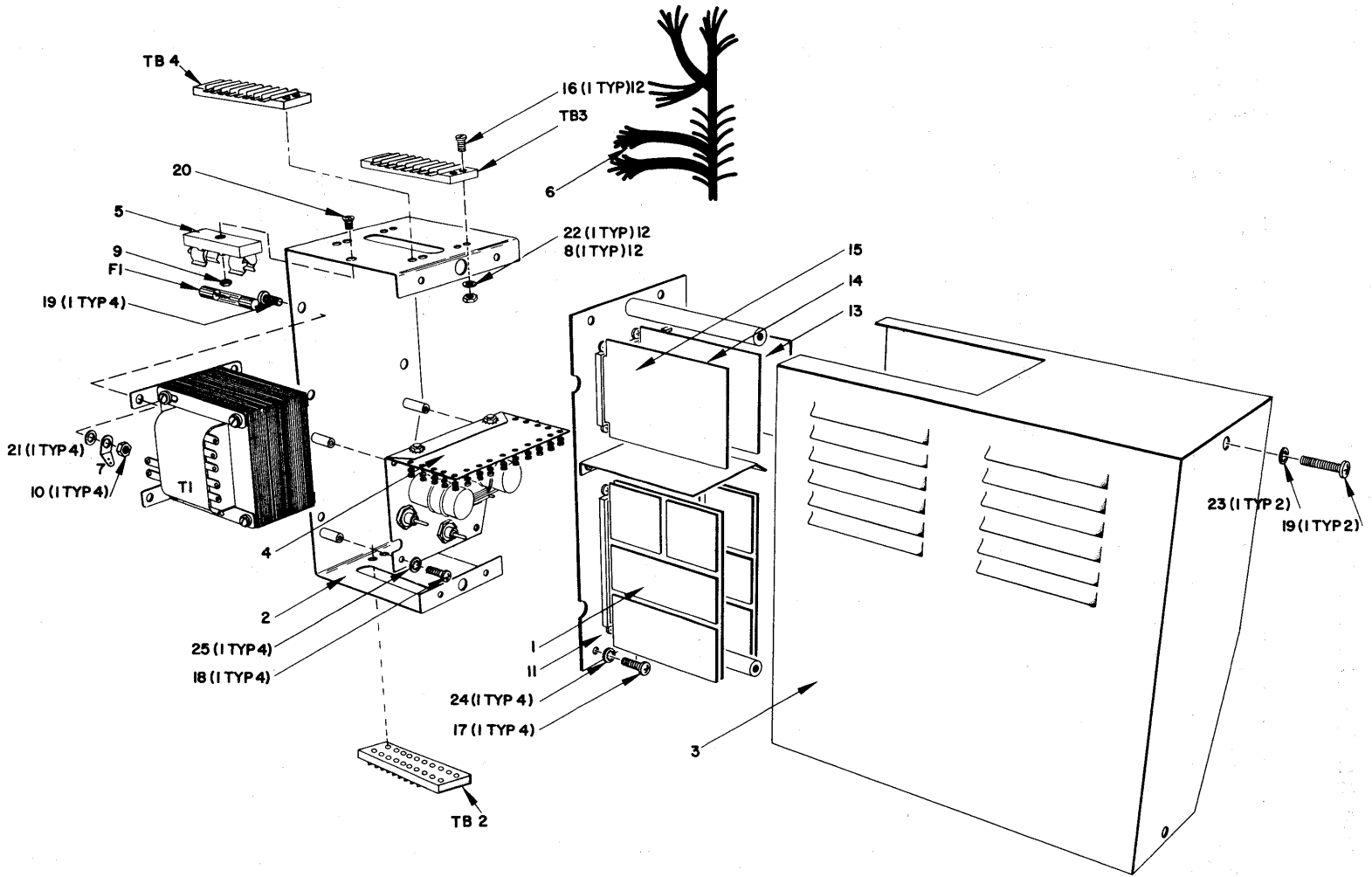
## PARTS LIST FOR: HEAD CABLE AND BOX ASSEMBLY

CAT. NO. 300502-09

REF NO.	AMPEX PART NO.	DESCRIPTION	MFGR REF OR MIL SPEC NO.	QTY ASS'Y	EFFECTIVE	
					ON	THRU
1	300501-01	Box Assembly, Head Cable		1		
1-1	60819-02	Chassis		1		
1-2	146-173	Connector, Receptacle, Female, 26 Pin, w/Female Jack Pins	Winchester #MRE26S-J-30	2		
1-3	60822-01	Cover, Chassis		1		
1-4	172-003	Lug, Solder, #6 Int Tooth		4		
1-5	61781-02	Retainer, Cable		4		
1-6	471-017	Screw, Machine, #6-32 x 1/4" Pan Hd Phillips Brs Cad Plt		2		
1-7	471-074	Screw, Machine, #6-32 x 7/8" Pan Hd Phillips Stl Cad Plt	MS 35208-30	4		
2	262-004	Bushing, Telescoping	AN 3420-8	2		
3	61075-02	Insulator, Head Cable Box		1		
4	470-023	Screw, Socket Hd Cap, #6-32 x 7/8" Stl Cad Plt	MS 35457-11	2		
5	501-009	Washer, #6 Flat, Stl Cad Plt	MS 15795-206	2		
6	502-003	Washer, #6 Spring Lock, Stl Cad Plt	MS 35338-41	2		
7	503-012	Washer, Shoulder, #6 Fibre	Walsco #7856	4		



Figure 9-2  
 Photosense Chassis Assembly  
 Sheet 1 of 3



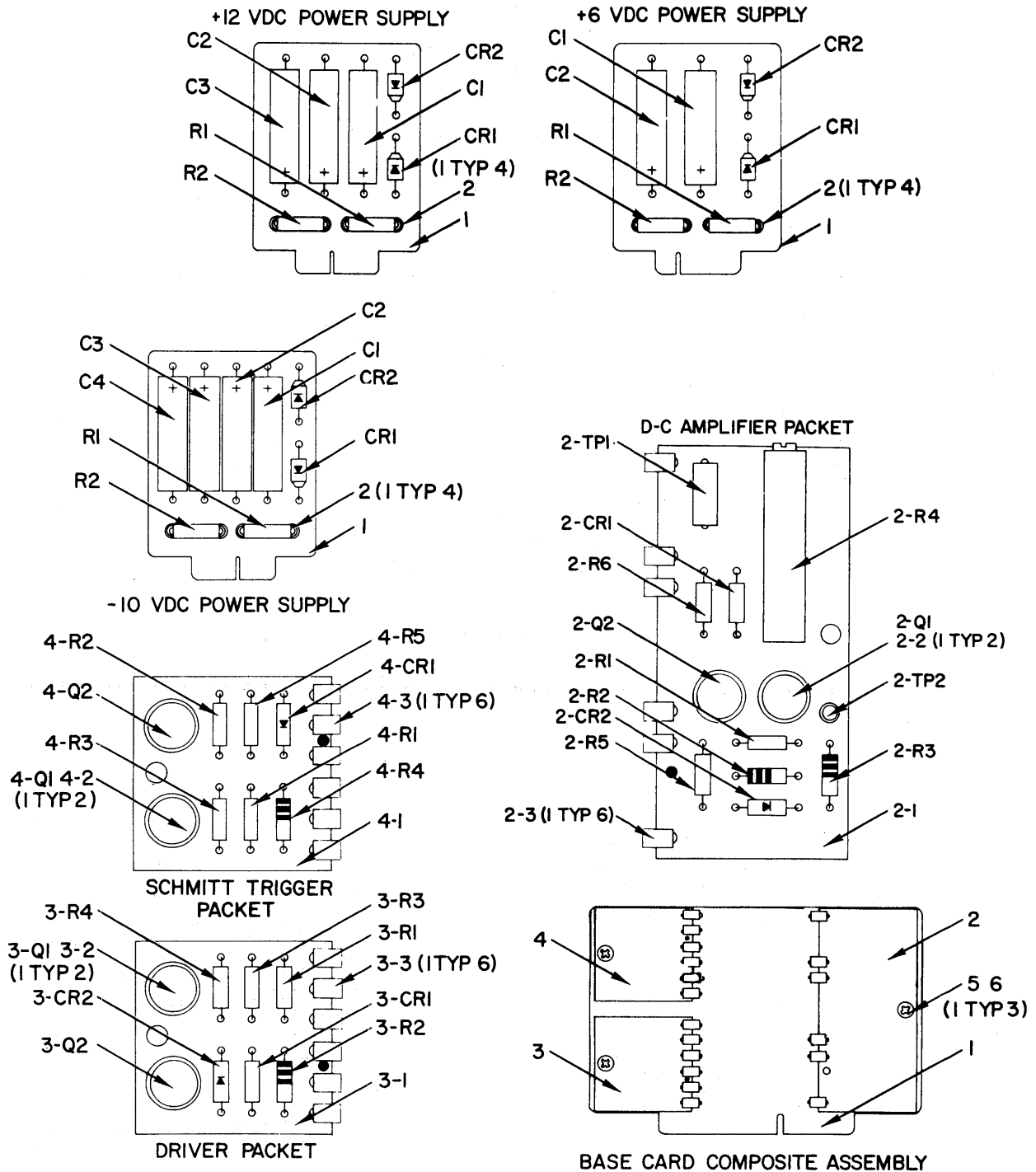


Figure 9-2  
 Photosense Chassis Assembly  
 Sheet 2 of 3

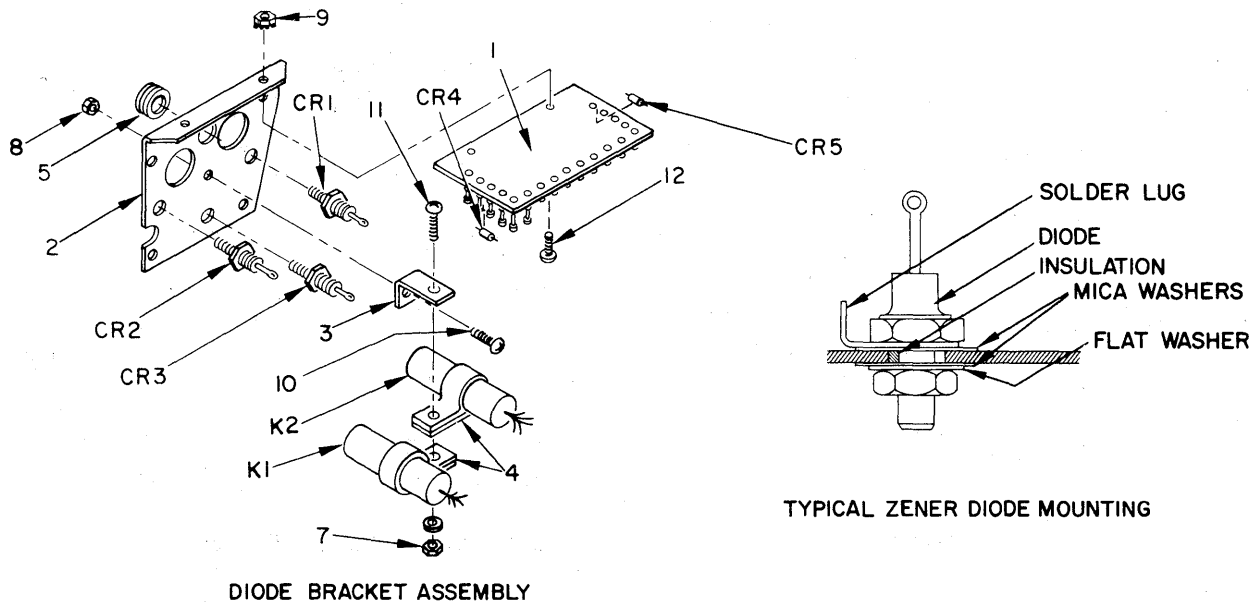
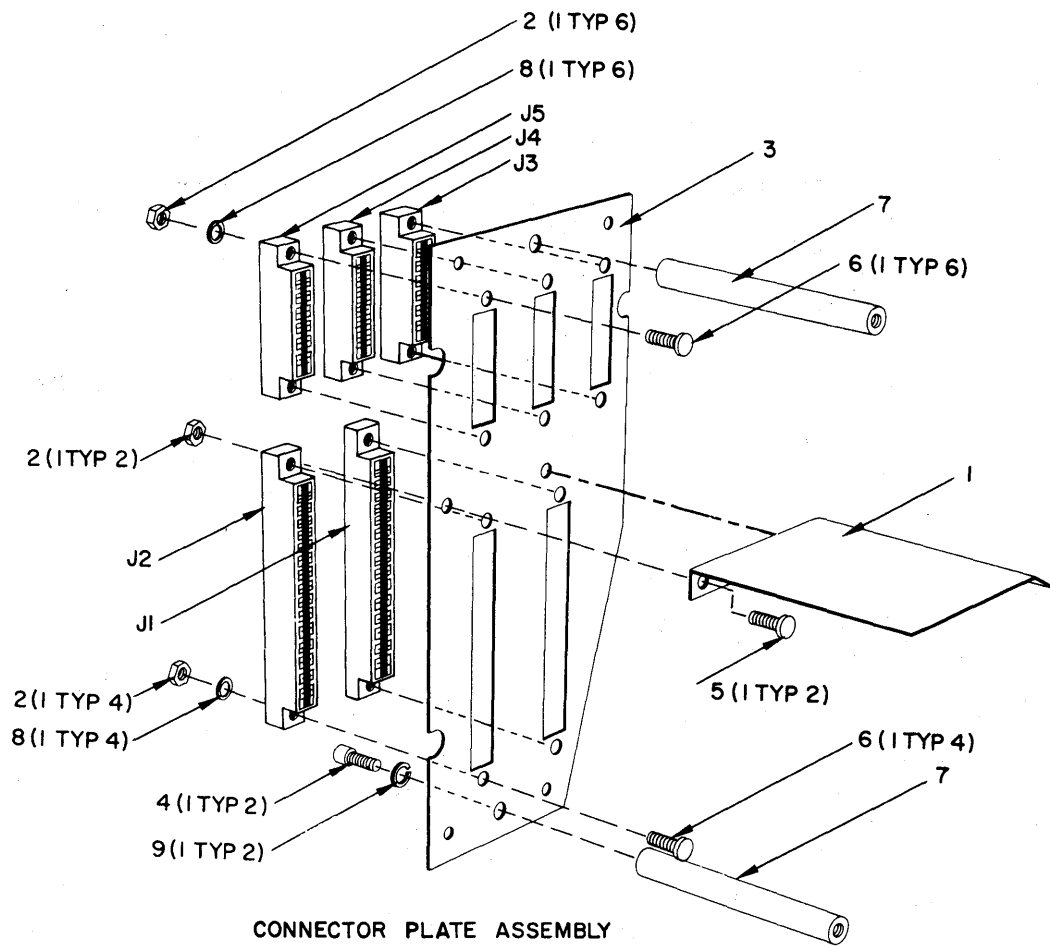


Figure 9-2  
Photosense Chassis Assembly  
Sheet 3 of 3

## PARTS LIST FOR: PHOTOSENSE CHASSIS ASSEMBLY

CAT. NO. 68017-30

REF NO.	AMPEX PART NO.	DESCRIPTION	MFGR REF OR MIL SPEC NO.	QTY ASS'Y	EFFECTIVE	
					ON	THRU
1	65624-30*	Base Card Composite Assembly		2		
2	65641-10	Chassis, Base		1		
3	65643-10	Cover		1		
4	65649-11*	Diode Bracket Assembly		1		
F1	070-005	Fuse, 1/4 ampere, Slo-Blow		1		
5	130-004	Fuse, Holder	Littelfuse #357001	1		
6	65635-11	Harness, Wiring		1		
7	172-001	Lug, Solder, #8 Shakeproof		1		
8	492-001	Nut, #2-56 Plain Hex Brs Cad Plt		12		
9	496-004	Nut, #4-40 Keps, Stl Cad Plt		1		
10	496-006	Nut, #8-32 Keps, Stl Cad Plt		4		
11	65640-10*	Plate Assembly, Connector		1		
12	11751-01	Plate, Identification		1		
13	65608-10*	Power, Supply Assembly, +6 vdc		1		
14	65605-10*	Power Supply Assembly, -10 vdc		1		
15	65602-10*	Power Supply Assembly, -12 vdc		1		
16	471-005	Screw, Machine, #2-56 x 3/8" Pan Hd Slotted, Brs Cad Plt		12		
17	471-060	Screw, Machine, #4-40 x 1/4" Pan Hd Phillips, Stl Cad Plt	MS 35208-12	4		

## PARTS LIST FOR: PHOTONSENSE CHASSIS ASSEMBLY

CAT. NO. 68017-30

REF NO.	AMPEX PART NO.	DESCRIPTION	MFGR REF OR MIL SPEC NO.	QTY ASS'Y	EFFECTIVE	
					ON	THRU
18	471-067	Screw, Machine, #6-32 x 1/4" Pan Hd Phillips, Stl Cad Plt	MS 35208-23	4		
19	471-078	Screw, Machine, #8-32 x 3/8" Pan Hd Phillips, Stl Cad Plt.	MS 35208-40	6		
20	471-327	Screw, Machine, #4-40 x 5/16" Flat Hd Phillips, Stl Cad Plt	MS 35192-13	1		
TB2	180-116	Terminal Strip, 8 Terminal		1		
TB3	180-116	Same as TB2		1		
TB4	180-116	Same as TB2		1		
T1	68207-10	Transformer, Power		1		
21	501-010	Washer, #8 Flat, Stl Cad Plt		4		
22	502-001	Washer, #2 Spring Lock, Stl Cad Plt	MS 35338-39	12		
23	502-026	Washer, #8 Int Tooth Lock, Stl Cad Plt	MS 35338-38	2		
24	502-024	Washer, #4 Int Tooth Lock, Stl Cad Plt	MS 35333-36	4		
25	502-025	Washer, #6 Int Tooth Lock, Stl Cad Plt	MS 35333-37	4		

**PARTS LIST FOR: PHOTONSENSE CHASSIS ASSEMBLY**  
**Base Card Composite Assembly**  
**Ampex Part No. 65624-30**

**CAT. NO. 68017-30**

REF NO.	AMPEX PART NO.	DESCRIPTION	MFGR REF OR MIL SPEC NO.	QTY ASS'Y	EFFECTIVE	
					ON	THRU
1	65623-10	Card, Printed Circuit		1		
2	65613-12	D-c Amplifier Packet Assembly		1		
2-1	65610-10	Card, Printed Circuit		1		
2-CR1	013-021	Diode, Silicon, 1N461		1		
2-CR2	013-021	Same as 2-CR1		1		
2-R1	041-511	Resistor, Carbon, 3900 ohm, 1/4 watt, 5%	MIL-R-11: RC07GF392J	1		
2-R2	041-414	Resistor, Carbon, 2200 ohm, 1/4 watt, 5%	MIL-R-11: RC07GF222J	1		
2-R3	041-496	Resistor, Carbon, 10 ohm, 1/4 watt, 5%		1		
2-R4	044-314	Resistor, Variable, 500 ohm, 1/4 watt, 10%	Allen-Bradley #RP504U	1		
2-R5	041-431	Resistor, Carbon, 150K ohm, 1/4 watt, 5%	MIL-R-11: RC07GF154J	1		
2-R6	041-406	Resistor, Carbon, 22K ohm, 1/4 watt, 5%	MIL-R-11: RC07GF223J	1		
2-2	280-030	Spacer, Transistor		2		
2-3	65633-11	Strap, Packet		6		
2-TP2	173-012	Terminal Lug	Useco #2010B	1		
2-TP1	148-031	Test Point, Yellow	Cinch #119437H	1		
2-Q1	68053-10	Transistor, 2N522A		1		
2-Q2	68053-10	Same as 2-Q2		1		
3	65622-11	Driver Packet Assembly		1		
3-1	65620-10	Card, Printed Circuit		1		

PARTS LIST FOR: PHOTONSENSE CHASSIS ASSEMBLY  
 Base Card Composite Assembly  
 Ampex Part No. 65624-30

CAT. NO. 68017-30

REF NO.	AMPEX PART NO.	DESCRIPTION	MFGR REF OR MIL SPEC NO.	QTY ASS'Y	EFFECTIVE	
					ON	THRU
3-CR1	013-152	Diode, Stabistor, S320G		1		
3-CR2	013-153	Diode, Germanium, 1N192		1		
3-R1	041-407	Resistor, Carbon, 3300 ohm, 1/4 watt, 5%	MIL-R-11: RC07GF332J	1		
3-R2	041-410	Resistor, Carbon, 1000 ohm, 1/4 watt, 5%	MIL-R-11: RC07GF102J	1		
3-R3	041-408	Resistor, Carbon, 10K ohm, 1/4 watt, 5%	MIL-R-11: RC07GF103J	1		
3-R4	041-412	Resistor, Carbon, 4700 ohm, 1/4 watt, 5%	MIL-R-11: RC07GF472J	1		
3-2	280-030	Spacer, Transistor		2		
3-3	65633-11	Strap, Packet		6		
3-Q1	014-083	Transistor, 2N444A		1		
3-Q2	014-097	Transistor, GT1795		1		
4	65616-12	Schmitt Trigger Packet Assembly		1		
4-1	65614-10	Card, Printed Circuit		1		
4-CR1	013-132	Diode, Germanium, 1N96A		1		
4-R1	041-407	Resistor, Carbon, 3300 ohm, 1/4 watt, 5%	MIL-R-11: RC07GF332J	1		
4-R2	041-520	Resistor, Carbon, 7500 ohm, 1/4 watt, 5%	MIL-R-11: RC07GF752J	1		
4-R3	041-409	Resistor, Carbon, 15K ohm, 1/4 watt, 5%	MIL-R-11: RC07GF153J	1		
4-R4	041-518	Resistor, Carbon, 33K ohm, 1/4 watt, 5%	MIL-R-11: RC07GF333J	1		
4-R5	041-413	Resistor, Carbon, 6800 ohm, 1/4 watt, 5%	MIL-R-11: RC07GF682J	1		

## PARTS LIST FOR: PHOTONSENSE CHASSIS ASSEMBLY

CAT. NO. 68017-30

Base Card Composite Assembly

Ampex Part No. 65624-30

REF NO.	AMPEX PART NO.	DESCRIPTION	MFGR REF OR MIL SPEC NO.	QTY ASS'Y	EFFECTIVE	
					ON	THRU
4-2	280-030	Spacer, Transistor		2		
4-3	65633-11	Strap, Packet		6		
4-Q1	014-083	Transistor, 2N444A		1		
4-Q2	014-083	Same as 4-Q1		1		
5	471-059	Screw, Machine, #4-40 x 3/16" Pan Hd Phillips, Stl Cad Plt	MS 35208-11	4		
6	173-069	Standoff, #4-40 x 1/8"		4		



## PARTS LIST FOR: PHOTONSENSE CHASSIS ASSEMBLY

CAT. NO. 68017-90

Diode Bracket Assembly

Ampex Part No. 65649-11

REF NO.	AMPEX PART NO.	DESCRIPTION	MFGR REF OR MIL SPEC NO.	QTY ASS'Y	EFFECTIVE	
					ON	THRU
1	65636-10	Board, Terminal		1		
2	65637-10	Bracket, Diode		1		
3	68582-10	Bracket, Relay		1		
4	302-013	Clamp, Cable				
CR4	013-132	Diode, Germanium, 1N96A		1		
CR5	013-132	Same as CR4				
CR1	013-146	Diode, Zener, 10.0 volt, 3 watt, 2.5%	Int. Rect. 3Z10.V25	1		
CR3	013-146	Diode, Zener, 12.0 volt, 3 watt, 2.5%	Int. Rect. 3Z12.T5	1		
CR2	013-156	Diode, Zener, 6.0 volt, 3 watt, 0.1%	Int. Rect. 3Z6.0V01	1		
5	260-005	Grommet, Elastic, 5/16" ID x 5/8" OD x 1/4" thk		1		
6	65634-10	Harness, Wiring		1		
7	492-010	Nut, #8-32 Plain Hex, Stl Cad Plt	MS35649-82	1		
8	496-001	Nut, #8-32 Keps, Stl Cad Plt		1		
9	496-002	Nut, #6-32 Keps, Stl Cad Plt		2		
K1	68051-10	Relay		1		
K2	68051-10	Same as K1				
10	471-078	Screw, Machine, #8-32 x 3/8" Pan Hd Phillips, Stl Cad Plt	MS35208-40	1		
11	471-081	Screw, Machine, #8-32 x 5/8" Pan Hd Phillips, Stl Cad Plt	MS35208-43	1		
12	471-068	Screw, Machine, #6-32 x 5/16" Pan Hd Phillips, Stl Cad Plt	MS35208-24	2		

**PARTS LIST FOR: PHOTONSENSE CHASSIS ASSEMBLY**  
**Plate Assembly, Connector**  
**Ampex Part No. 65640-10**

**CAT. NO. 68017-30**

REF NO.	AMPEX PART NO.	DESCRIPTION	MFGR REF OR MIL SPEC NO.	QTY ASS'Y	EFFECTIVE	
					ON	THRU
J1	168-019	Connector, Printed Circuit, 15 Contact	Continental #600-110A-546-F6	1		
J2	168-019	Same as J1		1		
J3	168-017	Connector, Printed Circuit, 6 Contact	Continental #600-110A-900-C3	1		
J4	168-018	Connector, Printed Circuit, 6 Contact	Continental #600-110A-900-D4	1		
J5	168-016	Connector, Printed Circuit, 6 Contact	Continental #600-110A-900-B2	1		
1	65642-20	Deflector, Air		1		
2	496-004	Nut, #4-40 Keps, Stl Cad Plt		12		
3	68584-10	Plate, Connector		1		
4	470-027	Screw, Socket Hd Cap, #8-32 x 3/8", Stl Cad Plt	MS35457-12	2		
5	471-060	Screw, Machine, #4-40 x 1/4" Pan Hd Phillips, Stl Cad Plt	MS35208-12	2		
6	471-063	Screw, Machine, #4-40 x 7/16" Pan Hd Phillips, Stl Cad Plt	MS35208-15	10		
7	60967-02	Spacer		1		
8	501-008	Washer, #4 Flat, Stl Cad Plt	MS15795-204	10		
9	502-004	Washer, #8 Spring Lock, Stl Cad Plt	MS35338-42	2		

## PARTS LIST FOR: PHOTOSENSE CHASSIS ASSEMBLY

CAT. NO. 68017-30

+6 vdc Power Supply  
Ampex Part No. 65608-10

REF NO.	AMPEX PART NO.	DESCRIPTION	MFGR REF OR MIL SPEC NO.	QTY ASS'Y	EFFECTIVE	
					ON	THRU
C1	031-186	Capacitor, Electrolytic, 100 ufd, 25 volt	Sprague #30D-188A1	1		
C2	031-220	Capacitor, Electrolytic, 250 ufd, 12 volt	Sprague #30D-157A1	1		
1	65606-10	Card, Printed Circuit		1		
2	267-006	Insulator, Steatite		4		
CR1	582-045	Rectifier, Silicon	General Inst. #PA320A	1		
CR2	582-045	Same as CR1		1		
R1	043-469	Resistor, Wirewound, 100 ohm, 3 watt, 3%		1		
R2	043-469	Same as R1		1		

## PARTS LIST FOR: PHOTOSENSE CHASSIS ASSEMBLY

CAT. NO. 68017-30

-10 vdc Power Supply  
Ampex Part No. 65605-10

REF NO.	AMPEX PART NO.	DESCRIPTION	MFGR REF OR MIL SPEC NO.	QTY ASS'Y	EFFECTIVE	
					ON	THRU
C1	031-187	Capacitor, Electrolytic, 50 ufd, 50 volt	Sprague #30D-200A1	1		
C2	031-187	Same as C1		1		
C3	031-186	Capacitor, Electrolytic, 100 ufd, 25 volt	Sprague #30D-188A1	1		
C4	031-220	Capacitor, Electrolytic, 250 ufd, 12 volt	Sprague #30 D-157A1	1		
1	65603-10	Card, Printed Circuit		1		
2	267-006	Insulator, Steatite		4		
CR1	582-045	Rectifier, Silicon	General Inst. #PA320A	1		
CR2	582-045	Same as CR1		1		
R1	043-449	Resistor, Wirewound 270 ohm, 3 watt, 3%		1		
R2	043-449	Same as R1		1		

## PARTS LIST FOR: PHOTONSENSE CHASSIS ASSEMBLY

CAT. NO. 68017-30

+12 vdc Power Supply

Ampex Part No. 65602-10

REF NO.	AMPEX PART NO.	DESCRIPTION	MFGR REF OR MIL SPEC NO.	QTY ASS'Y	EFFECTIVE	
					ON	THRU
C1	031-187	Capacitor, Electrolytic, 50 ufd, 50 volt	Sprague #30D-200A1	1		
C2	031-187	Same as C1		1		
C3	031-247	Capacitor, Electrolytic, 200 ufd, 15 volt	Sprague #30D-174A1	1		
1	65600-10	Card, Printed Circuit		1		
2	267-006	Insulator, Steatite		4		
CR1	582-045	Rectifier, Silicon	General Inst. #PA320A	1		
CR2	582-045	Same as CR1		1		
R1	043-450	Resistor, Wirewound, 470 ohm, 3 watt, 3%		1		
R2	043-450	Same as R1		1		

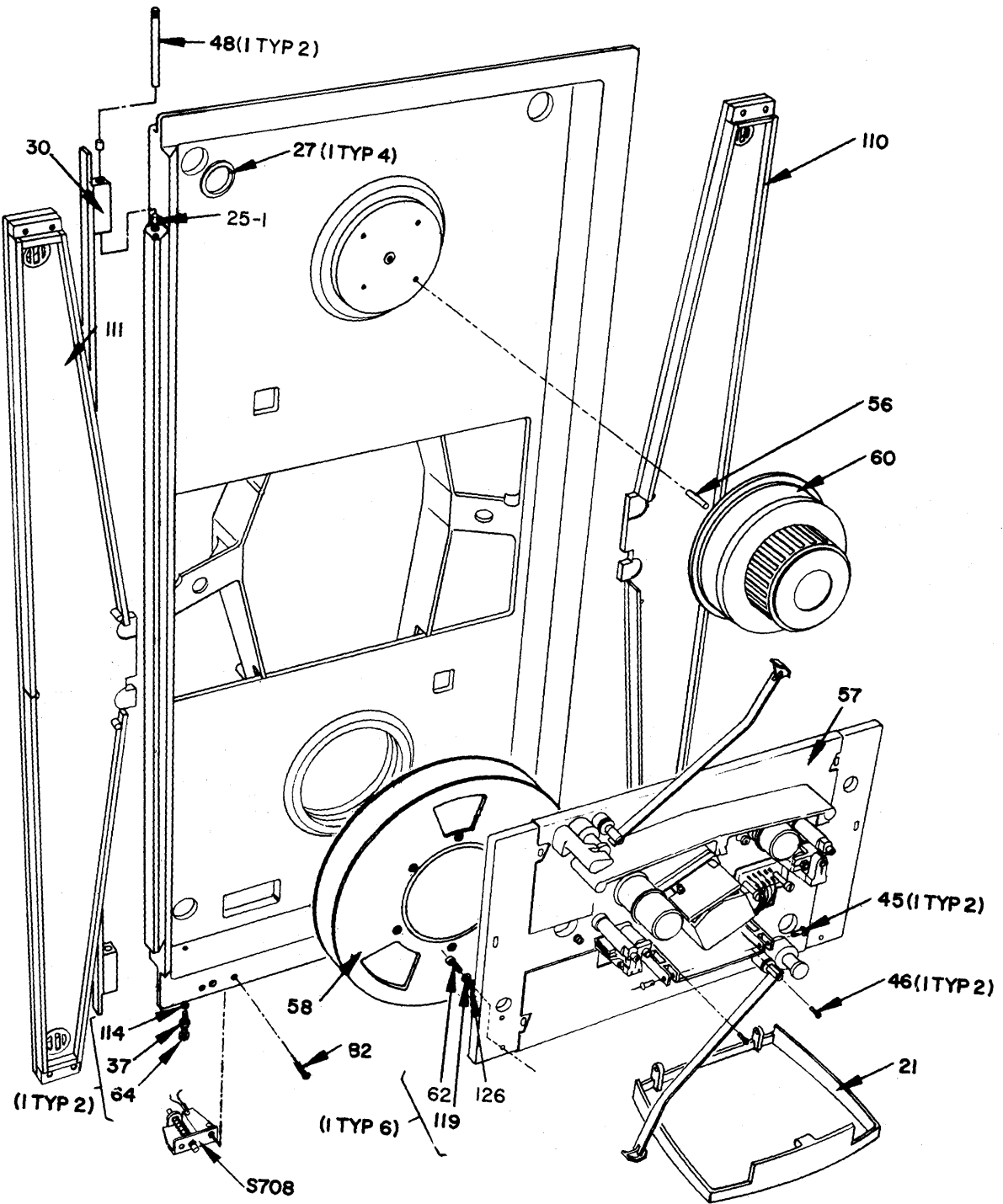


Figure 9-3  
 Tape Transport Assembly  
 Sheet 1 of 7

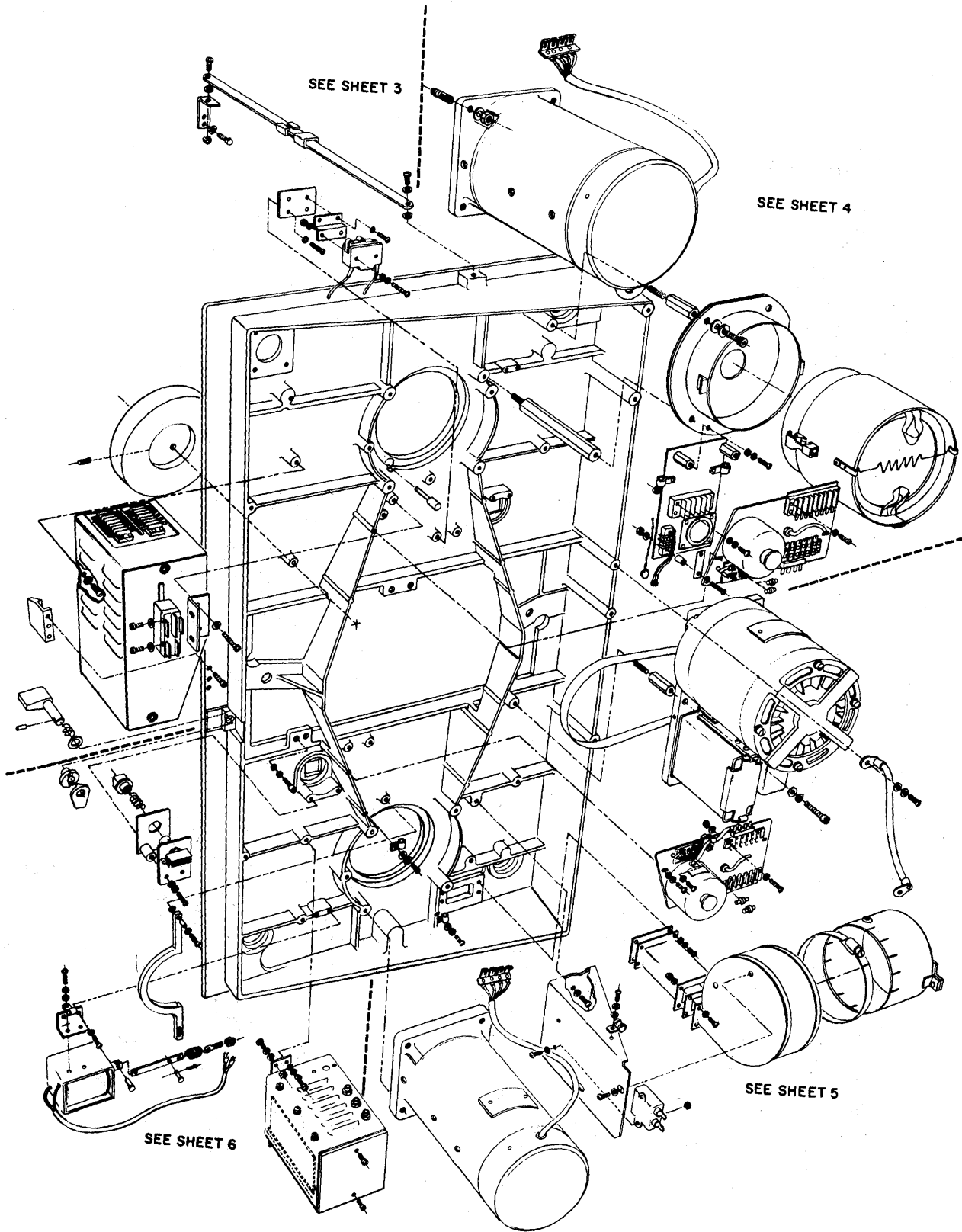


Figure 9-3  
Tape Transport Assembly  
Sheet 2 of 7

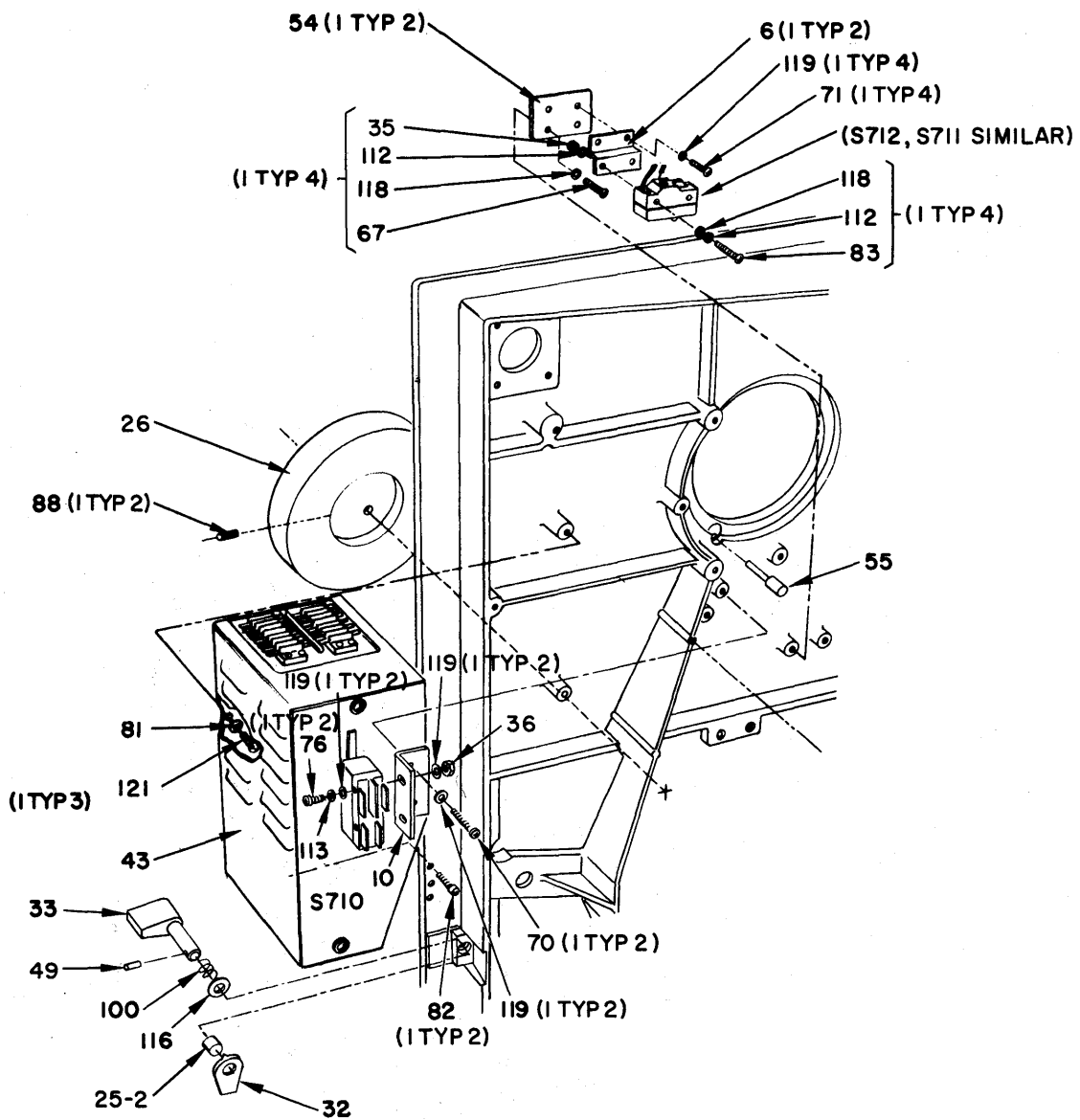


Figure 9-3  
 Tape Transport Assembly  
 Sheet 3 of 7



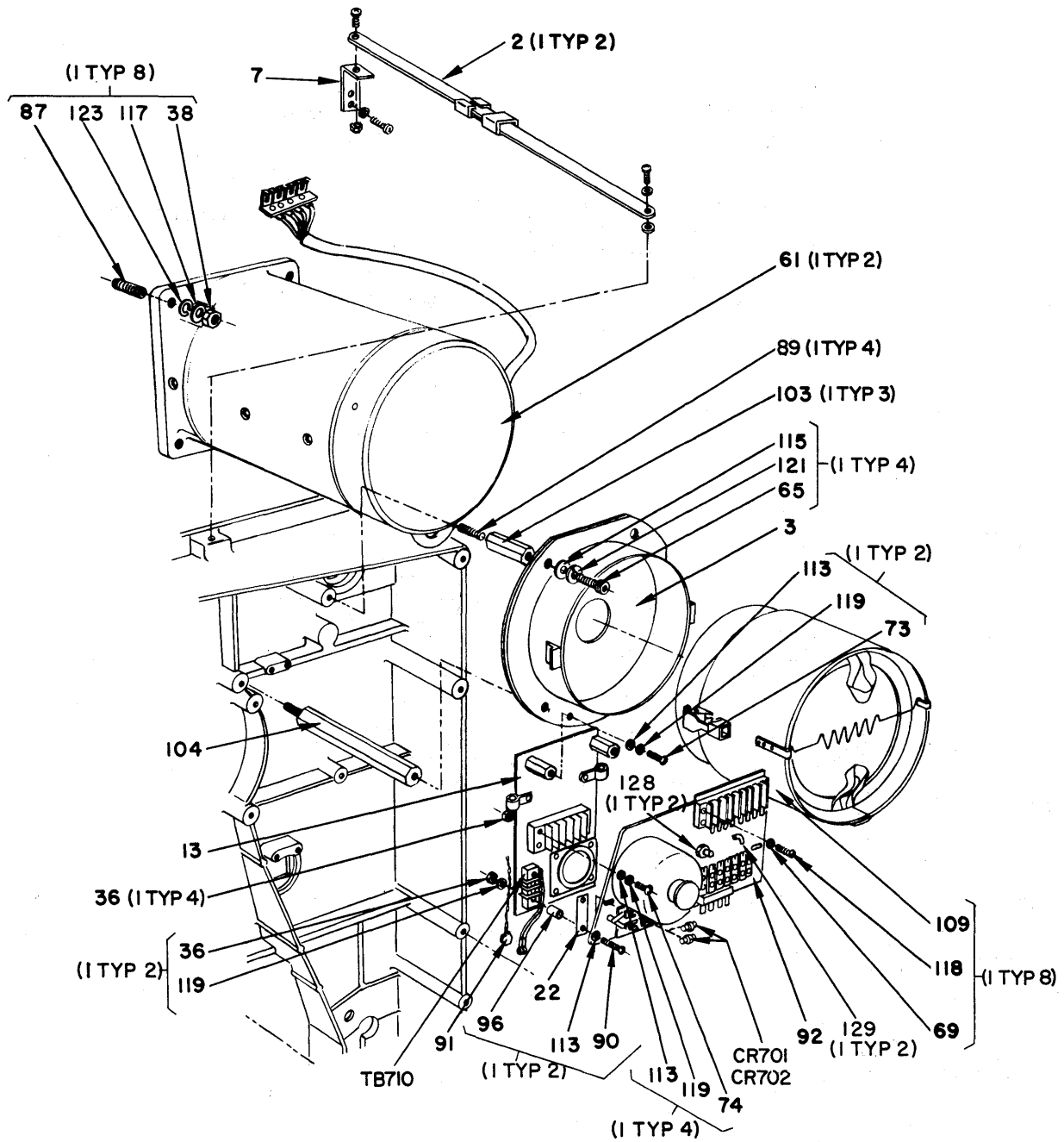


Figure 9-3  
 Tape Transport Assembly  
 Sheet 4 of 7

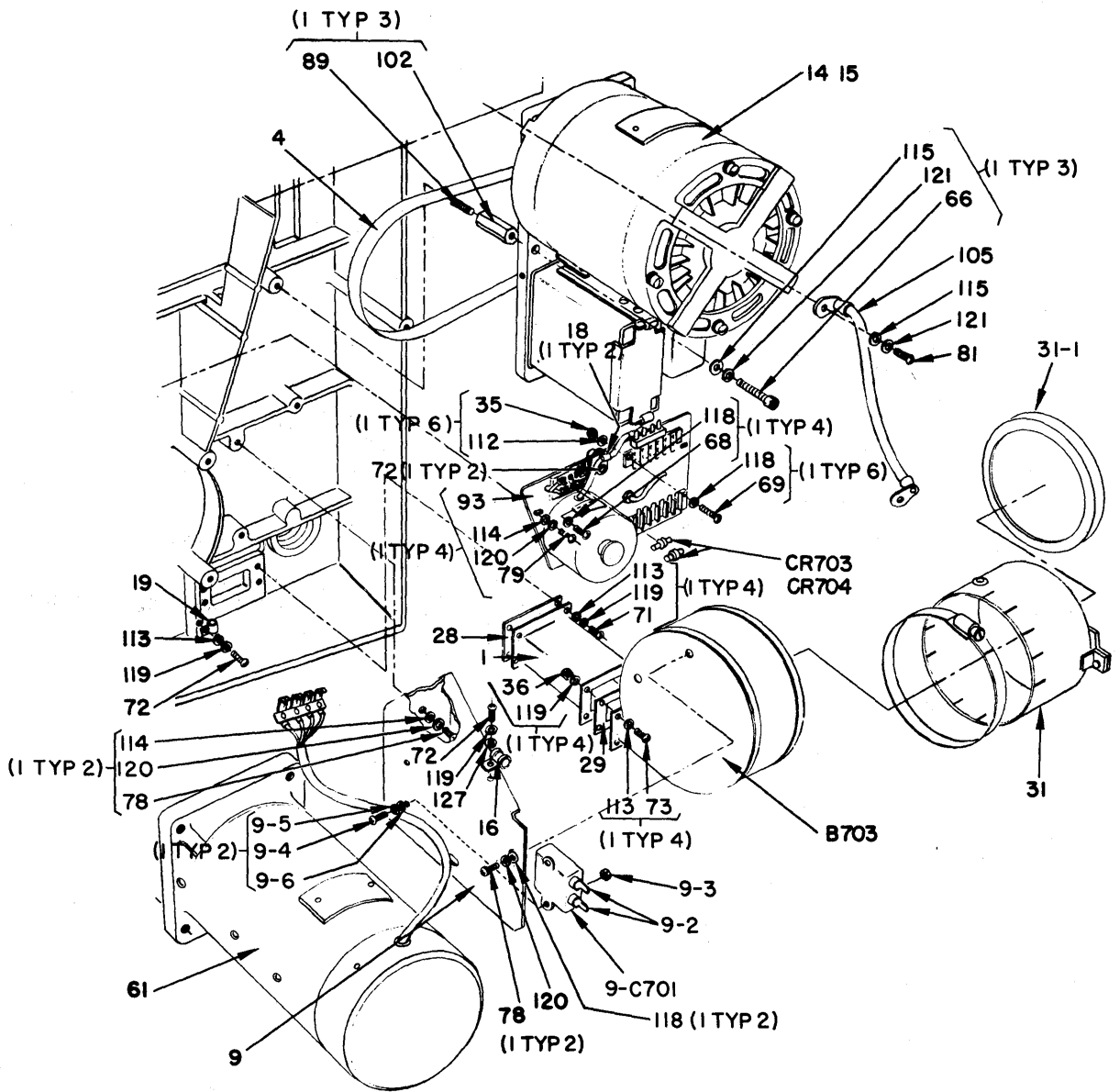


Figure 9-3  
 Tape Transport Assembly  
 Sheet 5 of 7

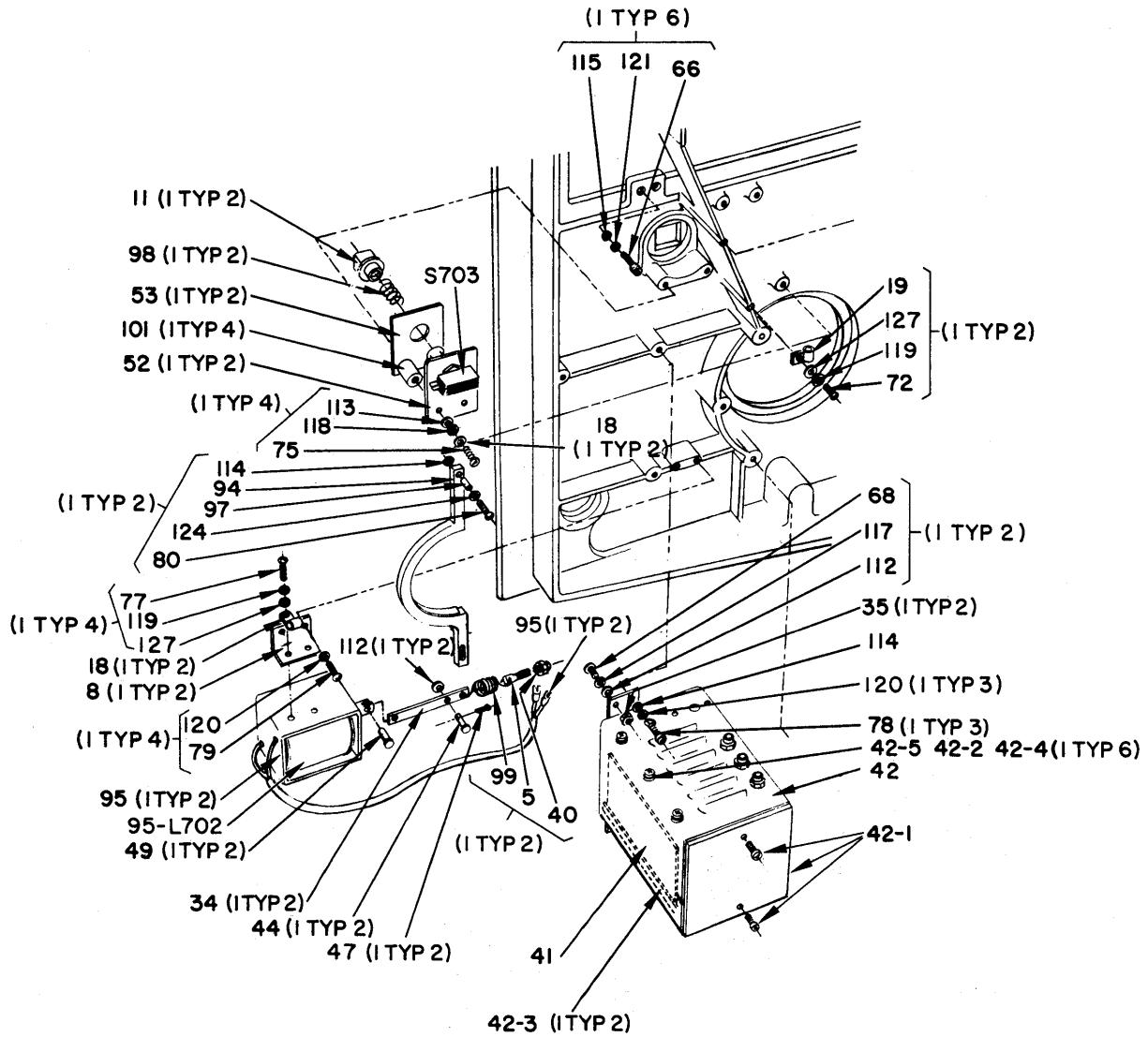


Figure 9-3  
 Tape Transport Assembly  
 Sheet 6 of 7

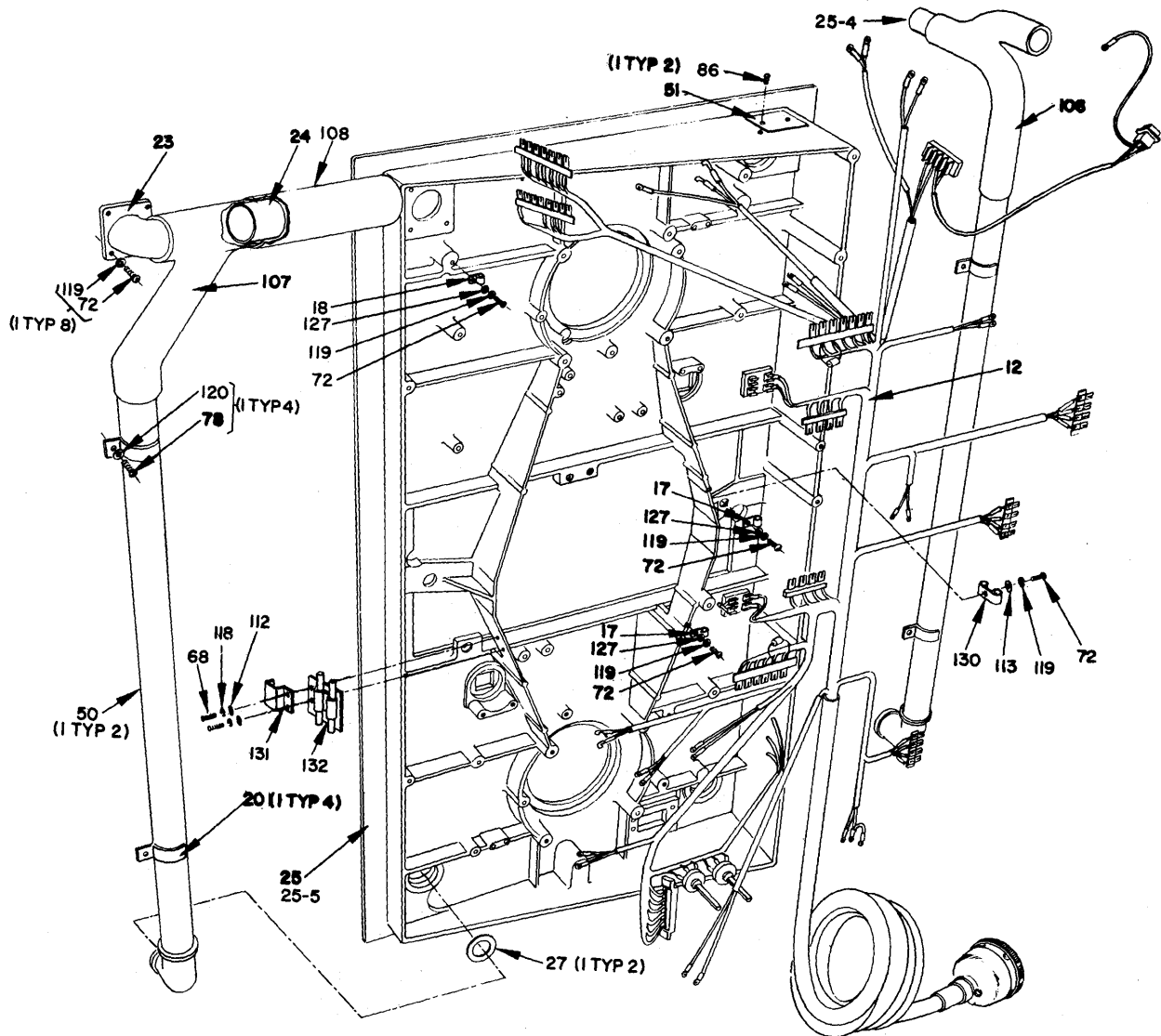


Figure 9-3  
 Tape Transport Assembly  
 Sheet 7 of 7

## PARTS LIST FOR: TAPE TRANSPORT ASSEMBLY

CAT. NO. 65261-5

REF NO.	AMPEX PART NO.	DESCRIPTION	MFGR REF OR MIL SPEC NO.	QTY ASS'Y	EFFECTIVE	
					ON	THRU
1	65382-10	Adaptor, Blower, Positive Pressure		1		
2	60675-10	Arm Assembly, Stop		2		
3	65400-13*	Base Assembly, Vacuum Blower		1	101	124
3	65400-30*	Base Assembly, Vacuum Blower		1	125	---
4	081-007	Belt, Nylon, 1/2" x 36"		1	101	124
4	081-014	Belt, Nylon, 1/2" x 35"		1	125	---
B703	591-028	Blower, Positive Pressure	Rotron #KS409	1		
5	18139-10	Bolt, Spade, Reel Brake		2		
6	69380-1	Bracket, Angle, Tape Packer Switch		0 2	101 221	220 ---
7	18321-01	Bracket, Hold Back		1		
8	65599-10	Bracket, Solenoid Mounting		2		
9	65492-11	Bracket Assembly, Positive Pressure Blower Mounting		1		
9-1	65386-10	Bracket, Blower		1		
9-C701	036-049	Capacitor	Sprague # 90P13	1		
9-2	172-039	Lug, Solder	Ziereck # 101HBT	2		
9-3	492-009	Nut, #6-32 Plain Hex, Stl Cad Plt	MS35649-62	2		
9-4	471-069	Screw, Machine, #6-32 x 3/8" Pan Hd Phillips, Stl Cad Plt	MS35208-25	2		

## PARTS LIST FOR: TAPE TRANSPORT ASSEMBLY

CAT. NO. 65261-5

REF NO.	AMPEX PART NO.	DESCRIPTION	MFGR REF OR MIL SPEC NO.	QTY ASS'Y	EFFECTIVE	
					ON	THRU
9-5	501-009	Washer, #6 Flat, Stl Cad Plt	MS15795-206	2		
9-6	502-014	Washer, #6 External Tooth Lock, Stl Cad Plt	MS35335-30	2		
10	68510-10	Bracket, Write Enable Switch Mounting		1		
11	19826-6	Button Control Subassembly		2		
12	65454-10*	Cable Assembly, Tape Transport		1	101	107
12	65454-11*	Cable Assembly, Tape Transport		1	108	124
12	65454-12*	Cable Assembly, Tape Transport		1	125	142
12	65454-13*	Cable Assembly, Tape Transport		1	143	---
13	68508-11*	Capacitor, Mounting Plate Assembly		1	101	108
13	68508-12*	Capacitor, Meter Mounting Plate Assembly		1	109	210
13	68508-13*	Capacitor, Meter Mounting Plate Assembly		1	211	---
14	65433-11*	Capstan Drive Motor Assembly		1	101	220
15	69362-20	Capstan Drive Motor Assembly		1	221	---
16	302-013	Clamp, Cable, 5/8" ID		1		
17	302-049	Clamp, Cable, 1/2" ID		2		
18	302-007	Clamp, Cable, 1/4" ID		5		
19	302-058	Clamp, Cable, 1/8" ID		3		

## PARTS LIST FOR: TAPE TRANSPORT ASSEMBLY

CAT. NO. 65261-5

REF NO.	AMPEX PART NO.	DESCRIPTION	MFGR REF OR MIL SPEC NO.	QTY ASS'Y	EFFECTIVE	
					ON	THRU
20	65442-10	Clip, Tube		4		
21	60862-50	Cover, Tape Mechanism		1		
22	69310-10	Cover, Termianl		1		
23	68507-10	Duct, Flanged Elbow		1		
24	65440-10	Duct, Straight		2		
25	65580-11	Frame Finishing Assembly		1		
25-1	423-047	Bushing, Flange		1		
25-2	65416-10	Bushing, Special		1		
25-3	423-033	Bushing, Straight		1		
25-4	65440-10	Duct, Straight		1		
25-5	65361-16	Frame, Transport		1	101	142
25-5	65361-17	Frame, Transport		1	143	---
26	60835-10	Flywheel, Capstan		1		
27	65491-10	Gasket, Vacuum Duct		6		
28	65434-10	Gasket, Positive Pressure Adapter to Frame		1		
29	65435-10	Gasket, Positive Pressure Blower to Adaptor		1		
30	65424-1	Hinge Block Assembly		0	101	220
				1	221	---
31	65378-10	Housing Blower, Positive Pressure, Air Inlet		1	101	210
31	69956-10	Housing Blower, Positive Pressure, Air Inlet		1	211	---

## PARTS LIST FOR: TAPE TRANSPORT ASSEMBLY

CAT. NO. 65261-5

REF NO.	AMPEX PART NO.	DESCRIPTION	MFGR REF OR MIL SPEC NO.	QTY ASS'Y	EFFECTIVE	
					ON	THRU
31-1	65418-10	Filter		0 1	101 211	210 ---
32	65413-10	Latch, Transport		1		
33	65593-10	Latch Handle Assembly		1		
34	60962-30	Link, Solenoid		2		
35	492-008	Nut, #4-40 Plain Hex, Stl Cad Plt	MS35649-42	12	101	210
36	492-009	Nut, #6-32 Plain Hex, Stl Cad Plt	MS35649-62	10 10		
37	492-010	Nut, #8-32 Plain Hex, Stl Cad Plt	MS35649-82	2		
38	492-058	Nut, 5/16-18 Plain Hex, Stl Cad Plt		8		
39	493-007	Nut, #8-32 Self-Locking, Stl Cad Plt Nylon Insert		1		
40	493-008	Nut, #10-32 Self-Locking, Stl Cad Plt Nylon Insert	Esna #NM26	2		
41	65551-12	Oscillator Assembly (OSC-700)		1	101	141
41	65551-13	Oscillator Assembly (OSC-700)		1	142	250
41	65551-14	Oscillator Assembly (OSC-700)		1	251	---
42	65560-13	Oscillator Chassis Assembly		1	101	124
42	65560-14	Oscillator Chassis Assembly		1	125	---
42-1	65562-11	Cover Plate Assembly		1		
42-2	471-061	Screw, Machine, #4-40 x 5/16" Pan Hd Phillips, Stl Cad Plt	MS35208-13	6		



## PARTS LIST FOR: TAPE TRANSPORT ASSEMBLY

CAT. NO. 65261-5

REF NO.	AMPEX PART NO.	DESCRIPTION	MFGR REF OR MIL SPEC NO.	QTY ASS'Y	EFFECTIVE	
					ON	THRU
42-3	65597-10	Track, Circuit Board		2		
42-4	501-008	Washer, #4 Flat, Stl Cad Plt	MS15795-204	6		
42-5	502-013	Washer, #4 Ext Tooth Lock Stl Cad Plt	MS35335-29	6		
43	68017-3*	Photosense Chassis Assembly (Catalog Item)		1		
44	400-009	Pin, Clevis, .124" x .531" Pan Hd Stl Cad Plt	MS20392-1-17	2		
45	400-024	Pin, Clevis, .124" x .656" Pan Hd Stl Cad Plt	MS20392-1-21	2		
46	401-004	Pin, Cotter, 1/16" x 3/8" Stls Stl		2		
47	401-005	Pin, Cotter, 1/16" x 1/2" Stl Cad Plt		2		
48	65436-1	Pin, Hinge		0 2	101 221	220 ---
49	406-026	Pin, Roll, .094" OD x 1/2" Stls Stl	Esna #79-022-094-500	3		
50	65450-10	Piping Assembly, Vacuum		2		
51	130029-10	Plate, Identification		1	101	141
51	300029-05	Plate, Identification		1	142	---
52	60798-10	Plate, Switch Mounting Reel Brake		2		
53	60798-20	Plate, Switch Mounting Reel Brake		2		

## PARTS LIST FOR: TAPE TRANSPORT ASSEMBLY

CAT. NO.65261-5

REF NO.	AMPEX PART NO.	DESCRIPTION	MFGR REF OR MIL SPEC NO.	QTY ASS'Y	EFFECTIVE	
					ON	THRU
54	69379-10	Plate, Switch Mounting Tape Packer		0 2	101 221	220 ---
55	65452-22	Plunger, Record Lockout		1		
56	474-044	Plunger Spring, #6-32 x 3/8"	Vlier #S48A	1		
57	65458-51*	Precision Plate Assembly		1	101	152
57	65458-52*	Precision Plate Assembly		1	153	---
CR701	582-022	Rectifier, Silicon	Sarkes Tarzian #40L	1		
CR702	582-022	Same as CR701		1		
CR703	582-022	Same as CR701		1		
CR704	582-022	Same as CR701		1		
58	68539-11	Reel Assembly, Take-up, Fixed		1	101	220
58	68539-60	Reel Assembly, Take-up, Fixed		1	221	---
59		Not Used				
60	41690-30*	Reel Retainer Assembly, Supply, IBM Compatible		1		
61	68119-40	Reel Motor Assembly		2		
62	470-024	Screw, Socket Hd Cap, #6-32 x 1" Stl Cad Plt	MS35457-12	6	101	220
62	470-175	Screw, Socket Hd Cap, #6-32 x 7/8" w/Nylon		6	221	---
63	470-032	Screw, Socket Hd Cap, #8-32 x 7/8" Stl Cad Plt	MS35457-18	2		
64	470-038	Screw, Socket Hd Cap #10-32 x 1/2" Stl Cad Plt	MS35458-11	4		

## PARTS LIST FOR: TAPE TRANSPORT ASSEMBLY

CAT. NO65261-5

REF NO.	AMPEX PART NO.	DESCRIPTION	MFGR REF OR MIL SPEC NO.	QTY ASS'Y	EFFECTIVE	
					ON	THRU
65	470-039	Screw, Socket Hd Cap #10-32 x 5/8" Stl Cad Plt	MS35348-12	4		
66	470-041	Screw, Socket Hd Cap #10-32 x 7/8 Stl Dad Plt	MS35348-14	9		
67	471-060	Screw Machine, #4-40 x 1/4" Pan Hd Phillips Stl Cad Plt	MS35208-12	4	101 221	220 ---
68	471-061	Screw, Machine, #4-40 x 5/16" Pan Hd Phillips, Stl Cad Plt	MS35208-13	6 8	101 211	210 ---
69	471-064	Screw, Machine, #4-40 x 1/2" Pan Hd Phillips, Stl Cad Plt	MS35208-16	16 14	101 211	210 ---
70	471-067	Screw, Machine, #6-32 x 1/4" Pan Hd Phillips, Stl Cad Plt	MS35208-23	2		
71	471-068	Screw, Machine, #6-32 x 5/16" Pan Hd Phillips, Stl Cad Plt	MS35208-24	4 8	101 221	220 ---
72	471-069	Screw, Machine, #6-32 x 3/8" Pan Hd Phillips, Stl Cad Plt	MS35208-25	12 15	101 211	210 ---
73	471-071	Screw, Machine, #6-32 x 1/2" Pan Hd Phillips, Stl Cad Plt	MS35208-27	6		
74	471-072	Screw, Machine #6-32 x 5/8" Pan Hd Phillips, Stl Cad Plt	MS35208-28	4		
75	471-074	Screw, Machine, #6-32 x 7/8" Pan Hd Phillips, Stl Cad Plt	MS35208-30	4		
76	471-075	Screw, Machine, #6-32 x 1" Pan Hd Phillips, Stl Cad Plt	MS35208-31	2		
77	471-076	Screw, Machine, #8-32 x 1/4" Pan Hd Phillips, Stl Cad Plt	MS35208-38	3 4	101 221	220 ---
78	471-078	Screw, Machine, #8-32 x 3/8" Pan Hd Phillips, Stl Cad Plt	MS35208-40	14		
79	471-080	Screw, Machine, #8-32 x 1/2" Pan Hd Phillips, Stl Cad Plt	MS35208-42	8		

## PARTS LIST FOR: TAPE TRANSPORT ASSEMBLY

CAT. NO. 65261-5

REF NO.	AMPEX PART NO.	DESCRIPTION	MFGR REF OR MIL SPEC NO.	QTY ASS'Y	EFFECTIVE	
					ON	THRU
80	471-081	Screw, Machine, #8-32 x 5/8" Pan Hd Phillips, Stl Cad Plt	MS35208-43	1	101	220
				3	221	---
81	471-089	Screw, Machine, #10-32 x 1/2" Pan Hd Phillips, Stl Cad Plt	MS35209-55	1		
82	471-333	Screw, Machine, #6-32 x 3/16" Flat Hd Phillips, Stl Cad Plt	MS35292-22	2		
83	471-772	Screw, Machine, #4-40 x 1" Pan Hd Phillips, Stl Cad Plt	MS35208-20	4		
				0	101	220
84	471-735	Screw, Machine, #12-24 x 1/2" Flat Hd Phillips, Stl Cad Plt		8		
85	471-876	Screw, Machine, #12-24 x 5/16" Binder Hd Slotted Stl Cad Plt		0	101	220
				1	221	---
86	474-008	Screw, Drive, #0 x 1/8", Type U		2		
87	477-173	Screw, Set, 5/16-18 x 1-3/4" Hex Skt Hdless, Stl Cad Plt		8		
88	477-174	Screw, Set, #10-32 x 3/8" Hex Skt Hdless, Stl Cad Plt		2		
89	477-177	Screw, Set, #10-32 x 7/8" Hex Skt Hdless, Stl Cad Plt		7		
90	69311-10	Screw, Seal		2		
91	650-147	Seal and Wire		1		
92	65432-10*	Servo Control Assembly		1		
93	65432-20	Servo Control Assembly		1		
94	60957-20	Shoe Assembly, Reel Brake		2		
95	60657-41	Solenoid and Cable Assembly		2		
95-1	171-001	Connector, Solderless #6 Slotted Tongue		2		

## PARTS LIST FOR: TAPE TRANSPORT ASSEMBLY

CAT. NO. 65261-5

REF NO.	AMPEX PART NO.	DESCRIPTION	MFGR REF OR MIL SPEC NO.	QTY ASS'Y	EFFECTIVE	
					ON	THRU
L701- L702	022-009	Solenoid, Brake, D-C		1		
96	280-003	Spacer, #6-32 x 1/4", Stl Cad Plt		2		
97	65598-10	Spacer, Brake Shoe Pivot		2		
98	19819-1	Spring, Button Control		2		
99	69317-10	Spring, Helical Extension, Brake		2		
100	65415-10	Spring, Latch		1		
101	69799-10	Standoff, Switch Mounting		4		
102	65437-10	Standoff, #10-32 x 1.062"		3		
103	65437-20	Standoff, #10-32 x 2.625"		3		
104	65437-30	Standoff, #10-32 x 4.750"		1		
105	65577-10	Strap, Ground		1		
S701	120-013	Switch, Pushbutton, 1P Normally Open, Brake Release	Arrow H & H #3391EPA	1		
S703	120-013	Same as S701		1		
S708	120-058	Switch, Door Interlock	Micro #3AC5	1		
S710	120-097	Switch, Rigid Leaf Actuator, Write Lockout	Unimax #2HBT-5	1	101	164
S710	120-118	Switch, Rigid Leaf Actuator, Write Lockout	Microswitch #BE-RW80-AZ	1	C101	---
S711	120-103	Switch, Roller Leaf Actuator, Follower Arm	Unimax #BZ-RW922-2A	1		

## PARTS LIST FOR: TAPE TRANSPORT ASSEMBLY

CAT. NO. 65261-5

REF NO.	AMPEX PART NO.	DESCRIPTION	MFGR REF OR MIL SPEC NO.	QTY ASS'Y	EFFECTIVE	
					ON	THRU
S712	120-103	Same as S711		1		
106	65392-10	Tee, Rubber		1		
107	65397-19	Tee, Rubber		1		
TB710	180-124	Terminal Strip		1		
108	69307-10	Tubing, Rubber		1		
109	65417-11	Vacuum Blower Assembly		1	101	124
109	65417-12	Vacuum Blower Assembly		1	125	188
109	65417-13	Vacuum Blower Assembly		1	189	---
110	65389-22*	Vacuum Chamber		1	101	116
110	65389-23*	Vacuum Chamber		1	117	---
111	65389-41*	Vacuum Chamber		1	101	116
111	65389-42*	Vacuum Chamber		1	117	---
112	501-008	Washer, #4 Flat, Stl Cad Plt	MS15795-204	8 16	101 221	220 ---
113	501-009	Washer, #6 Flat, Stl Cad Plt	MS15795-206	30 21	101 211	210 ---
114	501-010	Washer, #8 Flat, Stl Cad Plt	MS15795-207	20	101	220
115	501-011	Washer, #10 Flat, Stl Cad Plt	MS15795-208	14		
116	501-025	Washer, Flat, .265" ID x .500" OD x .032" thk, Stl Cad Plt		1		
117	501-030	Washer, 5/16" Flat, Stl Cad Plt		8		

## PARTS LIST FOR: TAPE TRANSPORT ASSEMBLY

CAT. NO. 65261-5

REF NO.	AMPEX PART NO.	DESCRIPTION	MFGR REF OR MIL SPEC NO.	QTY ASS'Y	EFFECTIVE	
					ON	THRU
118	502-002	Washer, #4 Spring Lock, Stl Cad Plt	MS35338-40	22	101	210
				26	211	---
119	502-003	Washer, #6 Spring Lock, Stl Cad Plt	MS35338-41	41	101	210
				45	210	220
				48	221	---
120	502-004	Washer, #8 Spring Lock, Stl Cad Plt	MS35338-42	25		
121	502-005	Washer, #10 Spring Lock, Stl Cad Plt	MS35338-43	14		
122	502-049	Washer, #12 Spring Lock, Stl Cad Plt		0	101	210
				4	211	220
				3	221	---
123	502-066	Washer, 5/16" Spring Lock, Stl Cad Plt	MS35338-83	8		
124	506-011	Washer, Cup, Spring Stl., .260"ID	Shakeproof #3502-14-17	2		
125	65595-1	Washer		0	101	220
				1	221	---
126	68955-1	Washer		2		
				0	101	220
127	506-013	Washer, Cable Clamp	Weckesser #D-140	6	221	
				0	101	210
128	65307-10	Tubing, Elbow		11	211	---
				0	101	210
129	65324-10	Fitting, 90° Elbow		0	101	210
				7	211	---
130	65288-10	Clip, Retainer		0	101	210
				7		
131	65314-10	Clip, Retainer, Vacuum Test		0	101	210
132	65320-10	Vacuum Test Assembly		0	101	210

## PARTS LIST FOR: TAPE TRANSPORT ASSEMBLY

CAT. NO. 65261-5

REF NO.	AMPEX PART NO.	DESCRIPTION	MFGR REF OR MIL SPEC NO.	QTY ASS'Y	EFFECTIVE	
					ON	THRU
133	471-451	Screw, Machine, #12-24 x 1/2"		0	101	210
					211	---
134	501-029	Washer, #12 Flat, Stl Cad Plt		0	101	210
					211	---



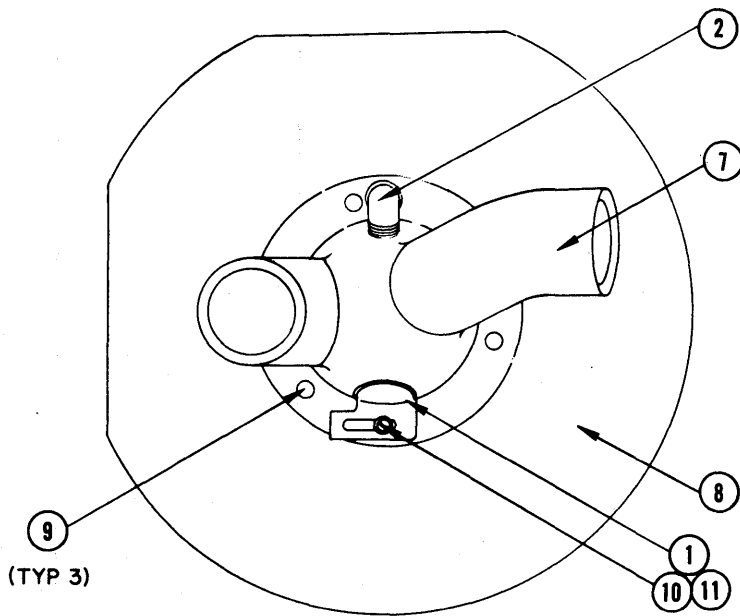
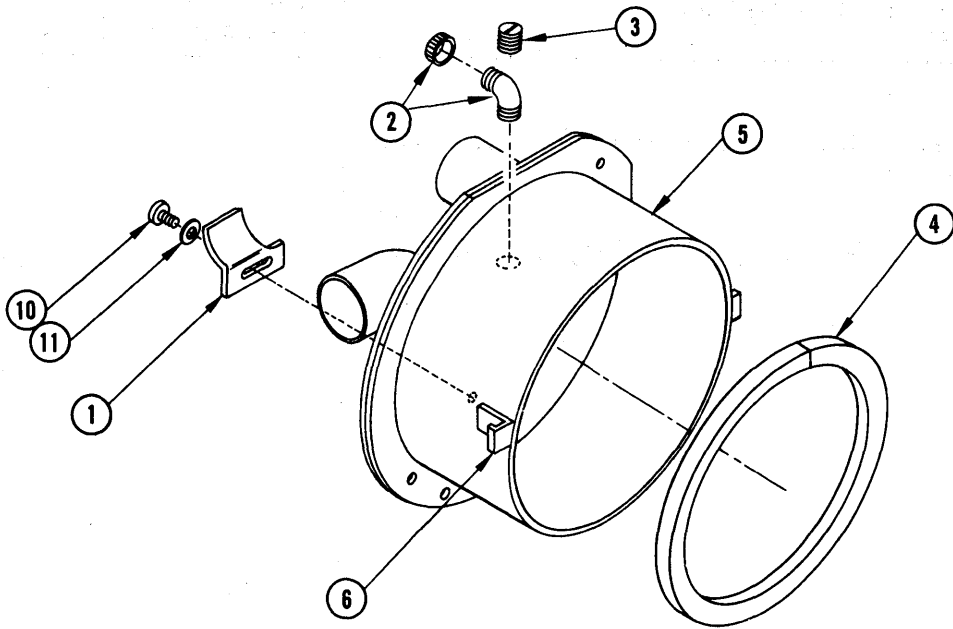


Figure 9-4  
Base Assembly, Vacuum Blower

PARTS LIST FOR: TAPE TRANSPORT ASSEMBLY  
 Base Assembly Vacuum Blower  
 Ampex Part No. 65400-14, -31

CAT. NO. 65261-5

REF NO.	AMPEX PART NO.	DESCRIPTION	MFGR REF OR MIL SPEC NO.	QTY ASS'Y	EFFECTIVE	
					ON	THRU
1	69313-11	Cover, Vacuum Pump		1		
2	440-090	Fitting 3/8 Tube, 1/8 IPT Brass (-31 version only)	Imperial: #268P	1		
3	440-092	Fitting, Plug, Slotted Head, 1/8 IPT Brass (-14 version only)	Imperial: #117B	1		
4	65423-11	Gasket		1		
5	65398-10	Housing, Blower		1		
6	311-042	Latch, Hook		1		
7	69969-10	Nozzle, Inlet		1		
8	65399-12	Plate, Cover Blower Housing		1		
9	460-079	Rivet, Alum., 225 Dia. x .042 Lg Hd 100 C'SK 1/8 x 3/8 lg		1		
10	471-558	Screw, Machine #4-40 x 3/16" Binder Head, Slotted Stl Cad Plt		1		
11	501-008	Washer, #4 Flat, Stl Cad Plt	MS: #15795-204			

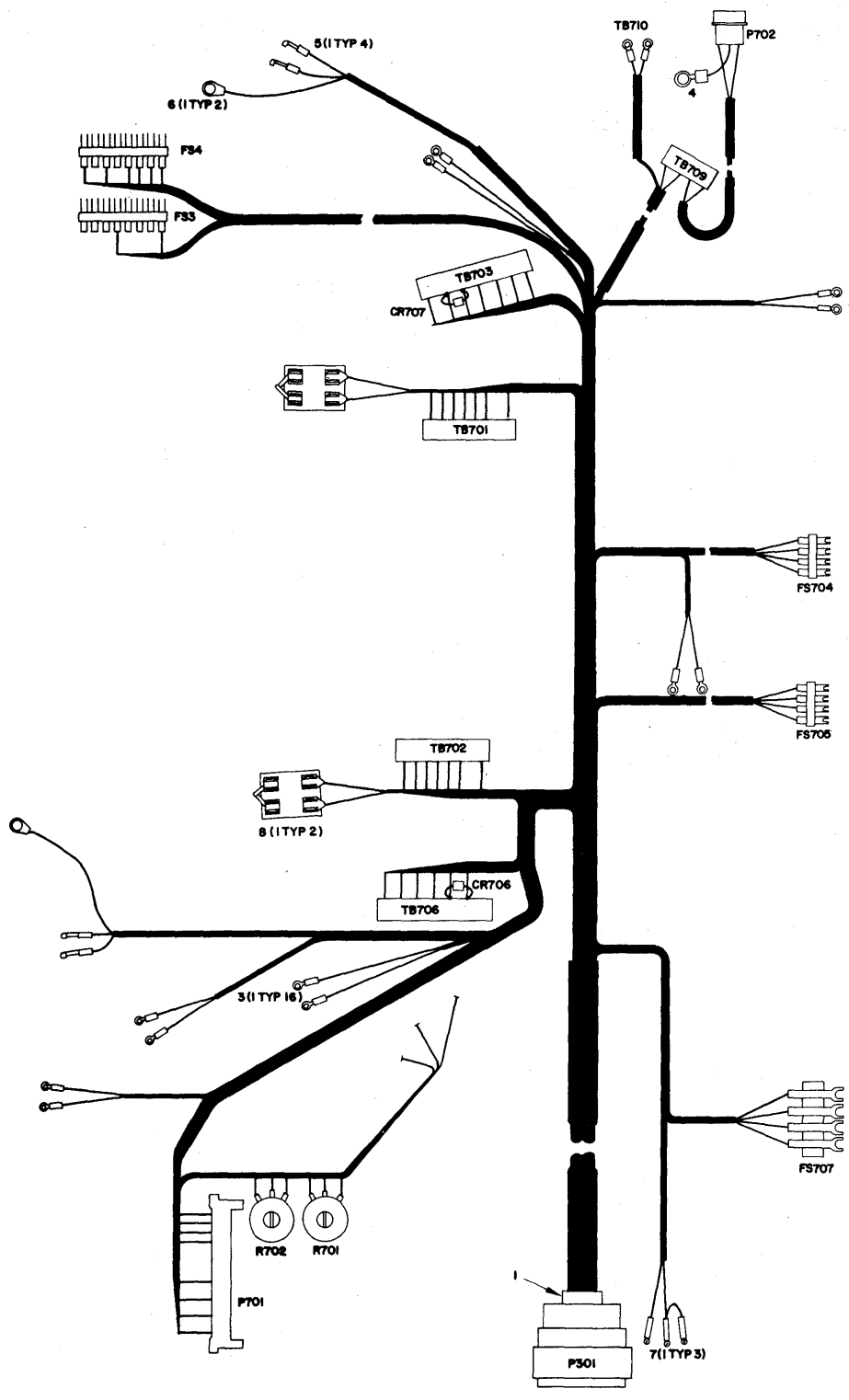


Figure 9-5  
Cable Assembly

## PARTS LIST FOR: TAPE TRANSPORT ASSEMBLY

CAT. NO. 65261-5

Cable Assembly

Ampex Part No. 65454-11, -12, -13

REF NO.	AMPEX PART NO.	DESCRIPTION	MFGR REF OR MIL SPEC NO.	QTY ASS'Y	EFFECTIVE	
					ON	THRU
1	262-007	Bushing, Telescoping	AN3420-16	1		
P702	169-050	Connector, Cable Cap, 3 Contact	Amp Inc. #480178-1	1		
P301	145-129	Connector, Plug, 53 contact, Male	Cannon #RLK-A53-22C-1	1		
P701	168-008	Connector, Printed Circuit, 15 terminal	Elco #5006-15-13-5-1/32	1		
2	169-019	Connector, Pin, Solderless	Amp Inc. #42641-1	2		
3	171-005	Connector, Lug, Solderless, #6		18		
4	171-007	Connector, Lug, Solderless (Not on -11)	Amp Inc. #31900	1		
5	171-008	Connector, Knife Splice	Amp Inc. #31777	4		
TB710	171-044	Connector, Solderless		2		
CR706	013-139	Diode, 1N2069		1		
CR707	013-139	Same as CR706		1		
FS707	180-115	Fanning Strip, 4 Terminal	Jones #4-160-L	1		
FS704	18881-04	Fanning Strip Assembly, 4 Terminal		1		
FS705	18881-04	Same as FS704		1		
FS3	69332-01	Fanning Strip Assembly, 8 Terminal		1		
FS4	69332-01	Same as FS3		1		
6	172-006	Lug, Solder, #10		2		
7	172-039	Lug, Solder, Connector, #2	Ziereck #101-HTB	3		
8	60845-01	Mounting Assembly, Rectifier		2		

## PARTS LIST FOR: TAPE TRANSPORT ASSEMBLY

CAT. NO. 65261-5

Cable Assembly

Ampex Part No. 65454-11, -12, -13

REF NO.	AMPEX PART NO.	DESCRIPTION	MFGR REF OR MIL SPEC NO.	QTY ASS'Y	EFFECTIVE	
					ON	THRU
R701	044-297	Resistor, Variable, 1000 ohm, 2 watt, Linear Taper	Clarostat #A43-1000	1		
R702	044-297	Same as R701		1		
TB701	180-116	Terminal Strip, 8 Terminal		1		
TB702	180-116	Same as TB701		1		
TB703	180-117	Terminal Strip, 7 Terminal		1		
TB706	180-117	Same as TB703		1		
TB705	180-119	Terminal Strip, 4 Terminal		1		

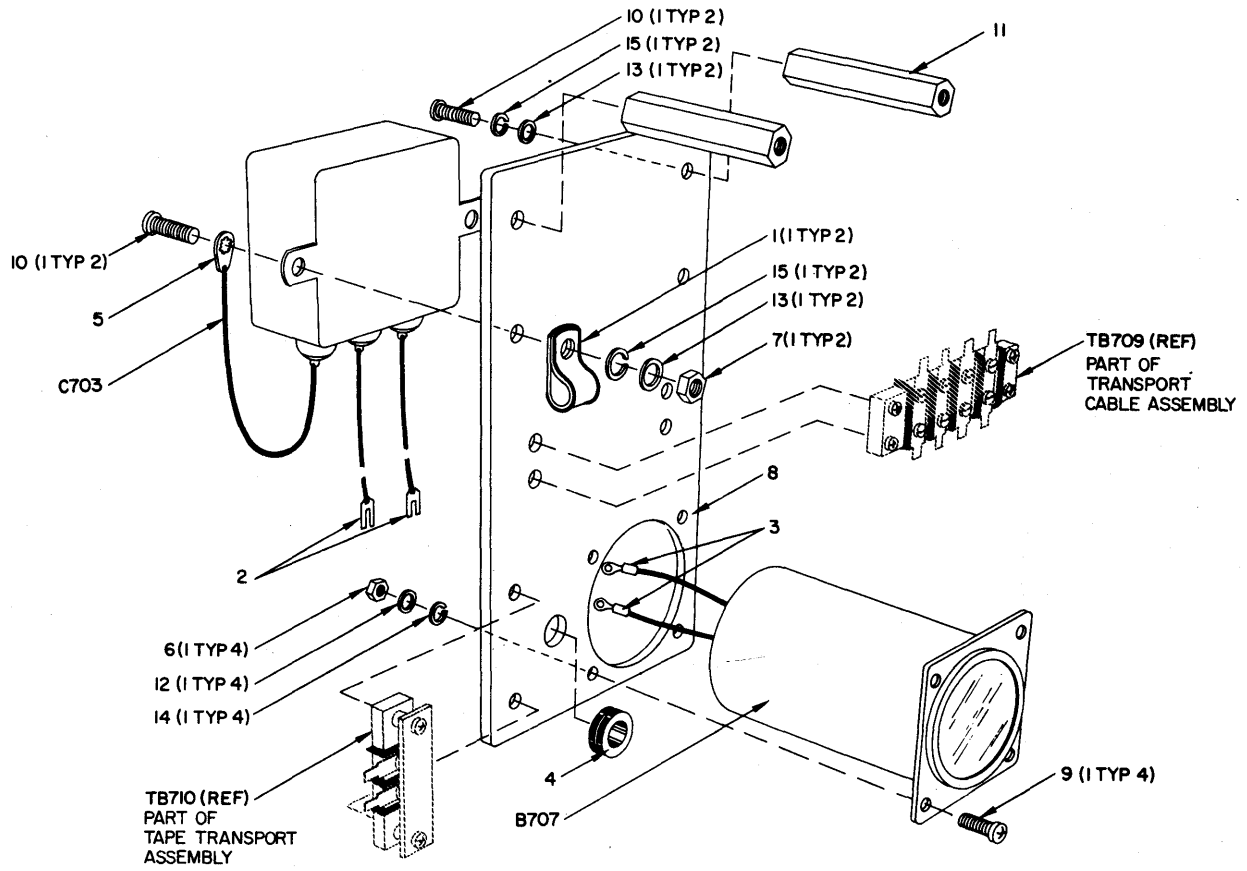


Figure 9-6  
 Capacitor/Meter Mounting Plate Assembly

## PARTS LIST FOR: TAPE TRANSPORT ASSEMBLY

CAT. NO. 65261-5

Capacitor/Meter Mounting Plate Assembly

Amplex Part No. 68508-12 and 68508-20

REF NO.	AMPEX PART NO.	DESCRIPTION	MFGR REF OR MIL SPEC NO.	QTY ASS'Y	EFFECTIVE	
					ON	THRU
C703	036-055	Capacitor, Paper, 2 x .5 ufd, 600 volt	Sprague #BP-2506	1		
1	302-037	Clamp, Cable, 5/16" ID		1		
2	171-001	Connector, Solderless, #6 Slotted Tongue		2		
3	171-010	Connector, Solderless, #5 Ring Tongue		2		
B707	090-024	Elapsed Time Meter, 60 cps (-12 version only)	Haydon #ED71	1		
	090-031	Elapsed Time Meter (-20 version only)	Haydon #ED71	1		
4	260-019	Grommet, Elastic, 1/8" ID x 11/32" OD x 3/16" thk		1		
5	172-003	Lug, Solder, #6 Int Tooth		1		
6	492-008	Nut, #4-40 Plain Hex, Stl Cad Plt	MS35649-42	4		
7	492-009	Nut, #6-32 Plain Hex, Stl Cad Plt	MS35649-62	2		
8	68509-12	Plate, Mounting		1		
9	471-064	Screw, Machine, #4-40 x 1/2" Pan Hd Phillips, Stl Cad Plt	MS35208-16	4		
10	471-071	Screw, Machine, #6-32 x 1/2" Pan Hd Phillips, Stl Cad Plt	MS35208-27	4		
11	69320-10	Standoff		1		
12	501-008	Washer, #4 Flat, Stl Cad Plt	MS15795-204	4		
13	501-009	Washer, #6 Flat, Stl Cad Plt	MS15795-206	4		
14	502-002	Washer, #4 Spring Lock, Stl Cad Plt	MS35338-40	4		
15	502-003	Washer, #6 Spring Lock, Stl Cad Plt	MS35338-41	4		

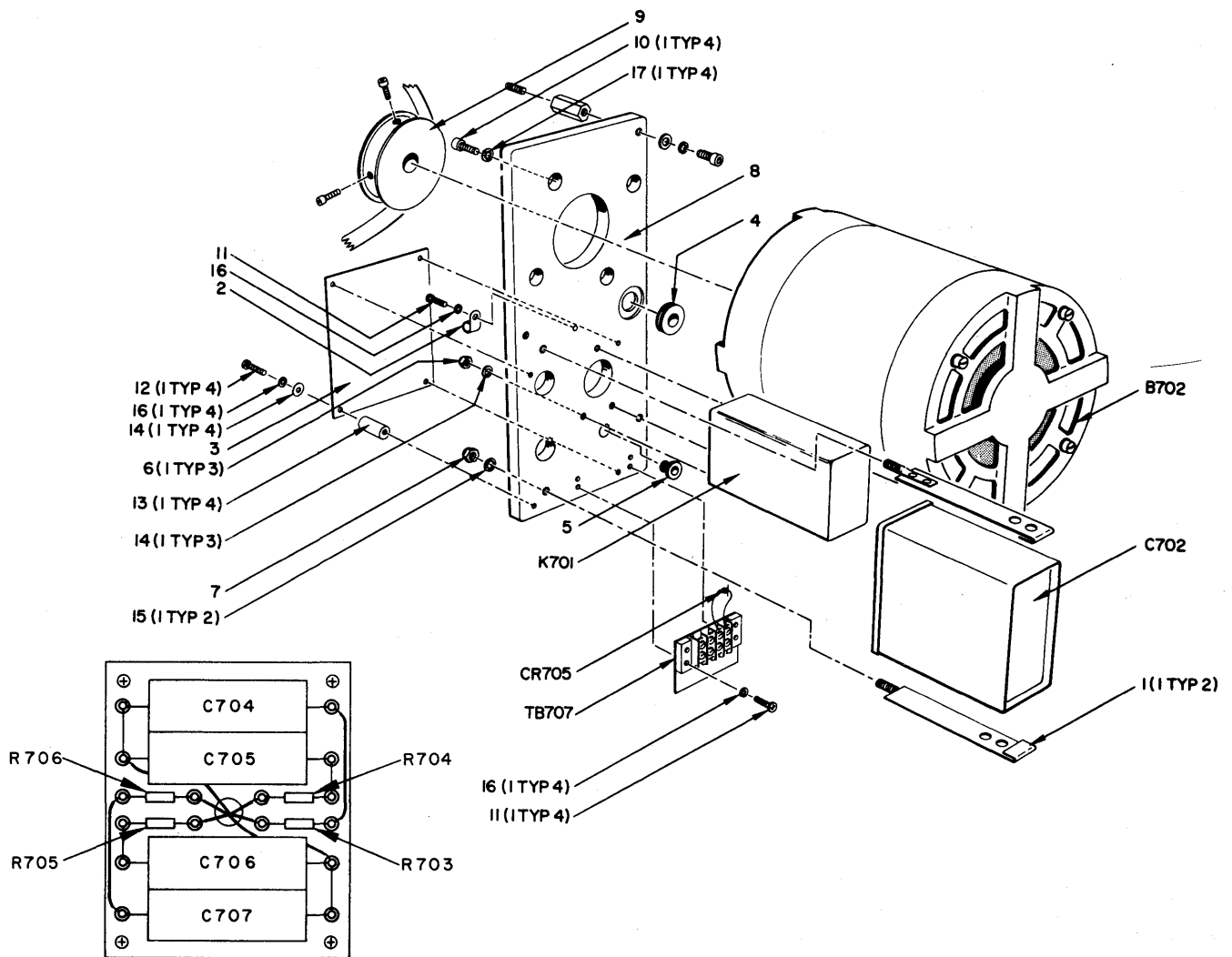


Figure 9-7  
 Capstan Drive Motor Assembly  
 (65433-1)



PARTS LIST FOR: TAPE TRANSPORT ASSEMBLY  
 Capstan Drive Motor Assembly  
 Ampex Part No. 65433-11

CAT. NO. 65261-52

REF NO.	AMPEX PART NO.	DESCRIPTION	MFGR REF OR MIL SPEC NO.	QTY ASS'Y	EFFECTIVE	
					ON	THRU
1	290-219	Bracket, Capacitor Mounting	MIL-C-25 CPO7SB5	2		
C702	036-038	Capacitor, Paper, 15 ufd, 600 Volt	General Elec. #23F356	1		
2	302-036	Clamp, Cable, 3/8" ID		1		
3	68520-10	Component Board Assembly		1		
3-1	68519-10	Board, Component		1		
C704	035-346	Capacitor, Paper, .33 ufd, 400 volt	Mallory #GEM4033	4		
C705	035-346	Same as C704		1		
C706	035-346	Same as C704		1		
C707	035-346	Same as C704		1		
R703	041-361	Resistor, Carbon, 15 ohm, 1/2 watt, 10%	MIL-R-11 RC20GF150K	4		
R704	041-361	Same as R703		1		
R705	041-361	Same as R703		1		
R706	041-361	Same as R703		1		
CR705	013-015	Diode, Crystal, 1N91		1		
4	260-016	Grommet, Elastic, 3/8" ID x 7/8" OD x 1/2" thk		1		
5	260-032	Grommet, Elastic, 3/16" ID x 1/2" OD x 7/32" thk		1		
B702	62991-10	Motor, Drive, 1200/1800 rpm		1		
6	493-003	Nut, #6-32 Self-Locking, Brs Cad Plt, Nylon Insert		3		

**PARTS LIST FOR: TAPE TRANSPORT ASSEMBLY**  
**Capstan Drive Motor Assembly**  
**Amplex Part No. 65433-1**

**CAT. NO. 65261-5**

REF NO.	AMPEX PART NO.	DESCRIPTION	MFGR REF OR MIL SPEC NO.	QTY ASS'Y	EFFECTIVE	
					ON	THRU
7	493-004	Nut, #10-32 Self-Locking, Brs Cad Plt, Nylon Insert		2		
8	65438-11	Plate, Motor Mounting		1	101	220
8	65438-3	Plate, Motor Mounting		1	221	--
9	61154-13	Pulley, Capstan Motor		1		
K701	020-113	Relay		1		
10	470-045	Screw, Socket Hd Cap, 1/4-20 x 1/2", Stl Cad Plt	MS35457-33	4		
11	471-072	Screw, Machine, #6-32 x 5/8" Pan Hd Phillips, Stl Cad Plt	MS35208-28	5		
12	471-468	Screw, Machine, #6-32 x 7/8" Pan Hd Phillips, Stl Cad Plt	MS35208-19	4		
13	280-009	Spacer, #6 x 1/2", Brs Cad Plt		4		
TB707	180-119	Terminal Strip		1		
14	501-009	Washer, #6 Flat, Stl Cad Plt	MS15795-206	7		
15	501-011	Washer, #10 Flat, Stl Cad Plt	MS15795-208	2		
16	502-003	Washer, #6 Spring Lock, Stl Cad Plt	MS35338-41	9		
17	502-028	Washer, 1/4" Int Tooth Lock, Stl Cad Plt	MS35333-40	4		

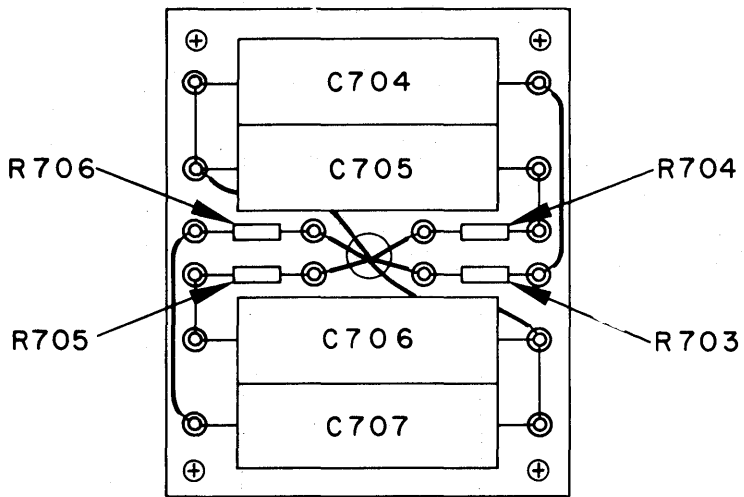
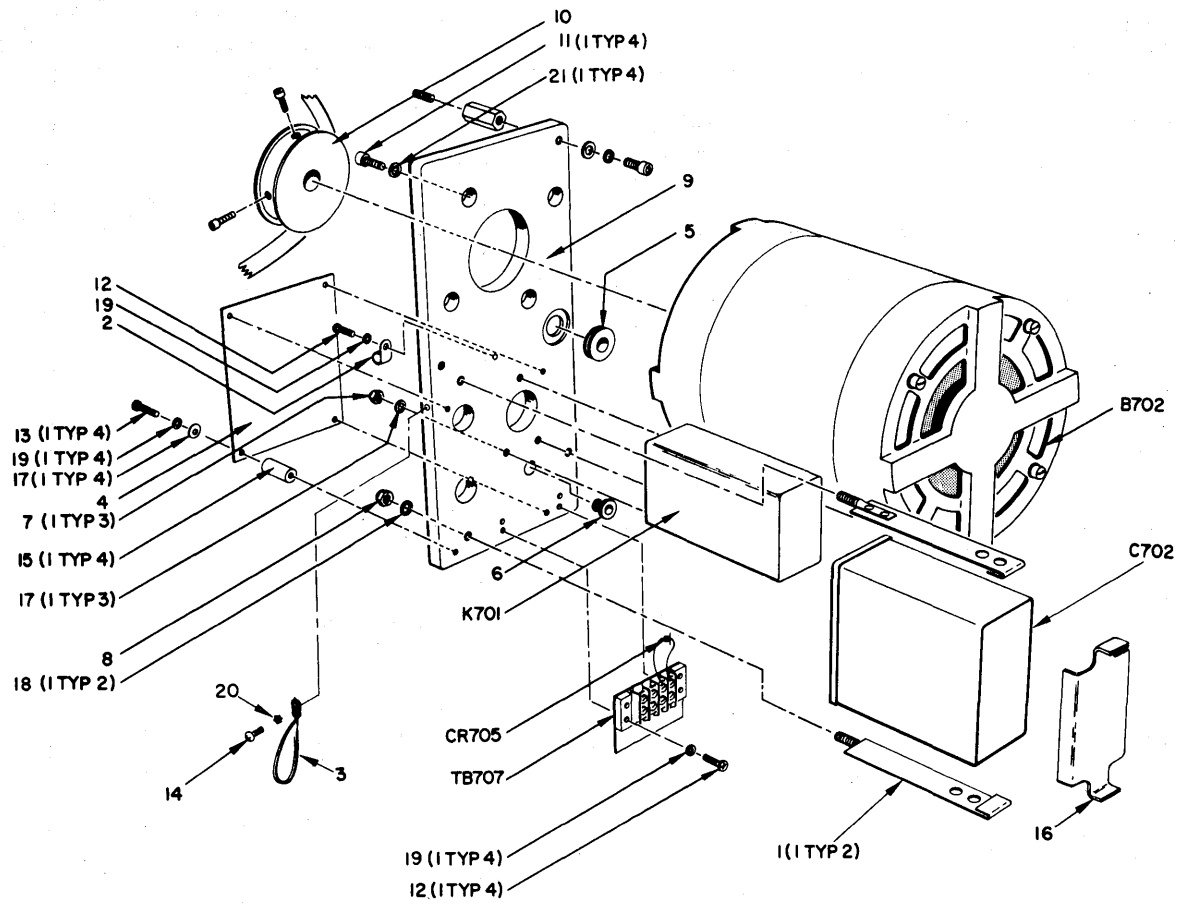


Figure 9-8  
 Capstan Drive Motor Assembly  
 (69362-2)

PARTS LIST FOR: TAPE TRANSPORT ASSEMBLY  
 Capstan Drive Motor Assembly  
 Ampex Part No. 69362-20

CAT. NO. 65261-5

REF NO.	AMPEX PART NO.	DESCRIPTION	MFGR REF OR MIL SPEC NO.	QTY ASS'Y	EFFECTIVE	
					ON	THRU
1	290-019	Bracket, Capacitor Mounting	MIL-C-25: CP07SB5	2		
C2	036-046	Capacitor, Paper, 22 ufd, 236 vac	Sprague #201P181	1		
2	302-036	Clamp, Cable, 3/8" ID		1		
3	68520-10	Component Board Assembly		1		
3-1	68519-10	Board, Component		1		
3-C704	035-346	Capacitor, Tubular, .33 ufd, 400 vdc	Mallory #GEM4033	1		
3-C705	035-346	Same as 3-C704		1		
3-C706	035-346	Same as 3-C704		1		
3-C707	035-346	Same as 3-C704		1		
3-R703	041-361	Resistor, Carbon, 15 ohm, 1/2 watt, 10%	MIL-R-11: RC20GF152J	1		
3-R704	041-361	Same as 3-R703		1		
3-R705	041-361	Same as 3-R703		1		
3-R706	041-361	Same as 3-R703		1		
CR705	013-015	Diode, Crystal, 1N91		1		
4	260-016	Grommet, Elastic, 3/8" ID x 7/8" x 1/2" thk	MS35489-98	1		
5	260-032	Grommet, Elastic, 3/16" ID x 1/2" OD x 7/32" thk		1		
B702	69363-10	Motor, A-c		1		
6	493-002	Nut, #6-32 Self-Locking, Brs Cad Plt Nylon Insert		3		

PARTS LIST FOR: TAPE TRANSPORT ASSEMBLY  
 Capstan Drive Motor Assembly  
 Ampex Part No. 69362-20

CAT. NO. 65261-5

REF NO.	AMPEX PART NO.	DESCRIPTION	MFGR REF OR MIL SPEC NO.	QTY ASS'Y	EFFECTIVE	
					ON	THRU
7	493-004	Nut, #10-32 Self-Locking, Brs Cad Plt, Nylon Insert		2		
8	65438-10	Plate, Motor Mounting		1		
9	300504-02	Pulley Assembly		1		
K701	020-113	Relay	Comar Type A	1		
10	470-045	Screw, Socket Hd Cap, 1/4-20 x 1/2", Stl Cad Plt	MS35457-33	4		
11	471-072	Screw, Machine, #6-32 x 5/8" Pan Hd Phillips, Stl Cad Plt	MS35208-28	5		
12	471-074	Screw, Machine, #6-32 x 7/8" Pan Hd Phillips, Stl Cad Plt	MS35208-30	4		
13	280-009	Spacer, 9/64" ID x 1/4" OD x 1/2" lg	H.H. Smith #2102	4		
TB707	180-119	Terminal Strip, 4 Terminal	Kukla #600-3/3ST-4	1		
14	501-009	Washer, #6 Flat, Stl Cad Plt	MS15795-206	7		
15	501-011	Washer, #10 Flat, Stl Cad Plt	MS15795-208	2		
16	502-003	Washer, #6 Spring Lock, Stl Cad Plt	MS35338-41	9		
17	502-028	Washer, 1/4" Int Tooth Lock, 8 Stl Cad Plt	MS35333-40	4		

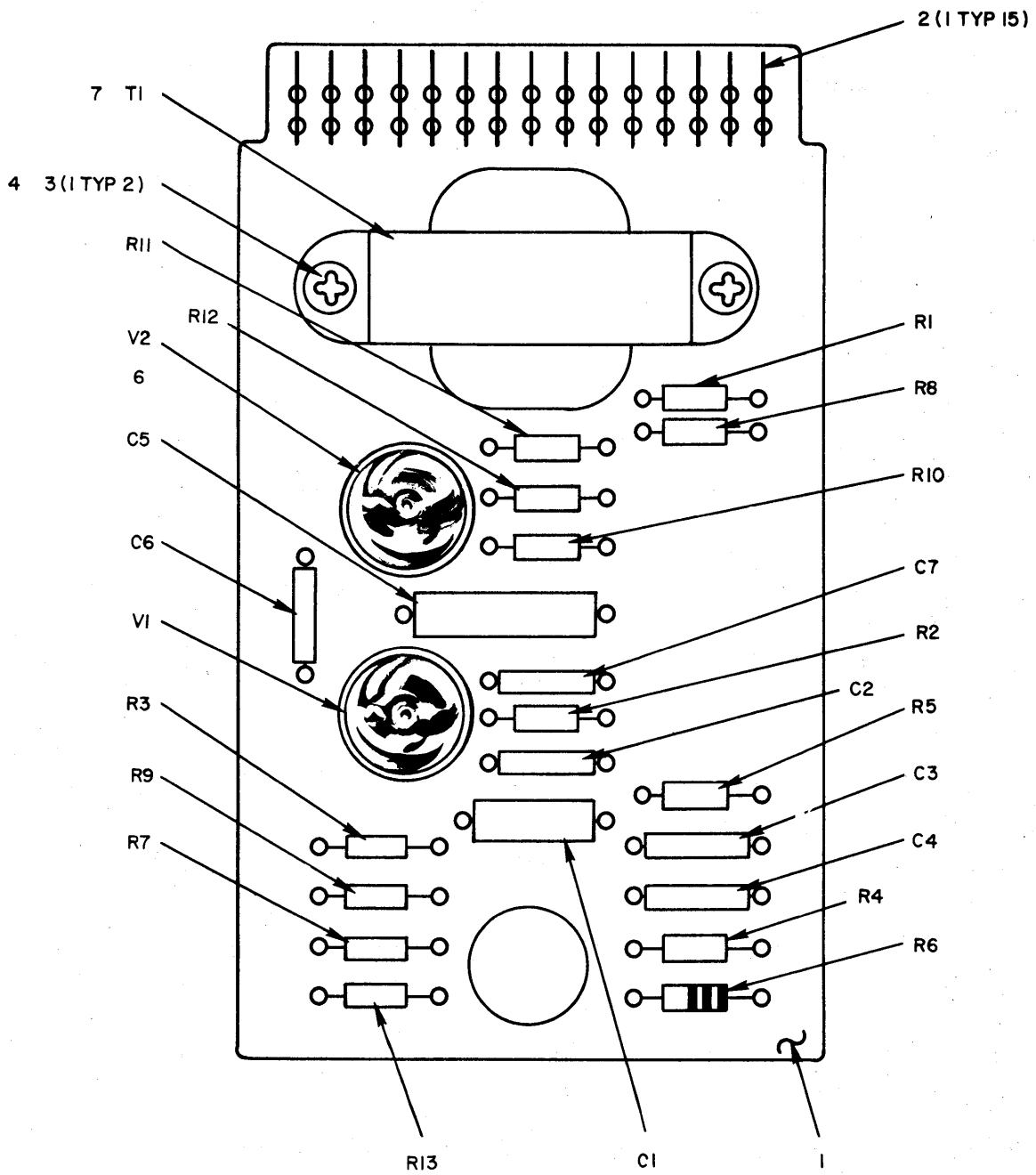


Figure 9-9  
Oscillator Assembly OSC-700

PARTS LIST FOR: TAPE TRANSPORT ASSEMBLY  
 Oscillator Assembly (OSC-700)  
 Ampex Part No. 65551-12, 13, -14

CAT. NO. 65261-5

REF NO.	AMPEX PART NO.	DESCRIPTION	MFGR REF OR MIL SPEC NO.	QTY ASSY	EFFECTIVE	
					ON	THRU
C1	035-355	Capacitor, Mylar, .1 ufd, 150 volt	Gudeman #337Y104J	1		
C2	034-199	Capacitor, Mica, 300 pfd, 500 volt	Elmenco #DM15F301J	1		
C3	034-199	Same as C2		1		
C4	034-199	Same as C2		1		
C5	035-356	Capacitor, Mylar, .1 ufd, 400 volt	Gudeman #337E104J	1		
C6	034-177	Capacitor, Mica, 100 pfd, 500 volt	Elmenco #DM15F101J	1		
C7	034-184	Capacitor, Mica, 68 pfd, 500 volt	Elmenco #DM15F680J	1		
1	65552-11	Card, Printed Circuit		1	101	124
1	65552-12	Card, Printed Circuit		1	125	173
1	65552-13	Card, Printed Circuit		1	174	---
2	168-007	Contact, Printed Circuit	Elco#5001-1913	15		
3	492-010	Nut, #8-32 Plain Hex, Stl Cad Plt	MS35649-82	2		
R1	041-023	Resistor, Carbon, 100K ohm, 1/2 watt, 5%	MIL-R-11: RC20GF104J	1		
R2	041-235	Resistor, Carbon, 1K ohm, 1/2 watt, 5%	MIL-R-11: RC20GF102J	1		
R3	041-344	Resistor, Carbon, 390 ohm, 1/2 watt, 5%	MIL-R-11: RC20GF391J	1		
R4	041-318	Resistor, Carbon, 120K ohm, 1/2 watt, 5%	MIL-R-11: RC20GF124J	1		

PARTS LIST FOR: TAPE TRANSPORT ASSEMBLY  
Oscillator Assembly (OSC-700)  
Ampex Part No. 65551-12, -13, -14

CAT. NO. 65261-5

REF NO.	AMPEX PART NO.	DESCRIPTION	MFGR REF OR MIL SPEC NO.	QTY ASS'Y	EFFECTIVE	
					ON	THRU
R5	041-318	Same as R4		1		
R6	041-318	Same as R4		1		
R7	041-398	Resistor, Carbon, 2.2 megohm, 1/2 watt, 5%	MIL-R-11: RC20GF225J	1		
R8	041-028	Resistor, Carbon, 330K ohm, 1/2 watt, 5%	MIL-R-11: RC20GF334J	1		
R9	041-016	Resistor, Carbon, 22K ohm, 1/2 watt, 5%	MIL-R-11: RC20GF223J	1		
R10	041-476	Resistor, Carbon, 1.2 megohm, 1/2 watt, 5%	MIL-R-11: RC20GF125J	1		
R11	041-476	Same as R10		1		
R12	041-245	Same as R2		1		
R13	041-023	Resistor, Carbon, 100K ohm 1/2 watt, 5%	MIL-R-11: RC20GF104J	1		
4	471-076	Screw, Machine, #8-32 x 1/4" Pan Hd Phillips, Stl Cad Plt	MS35208-38	2 0	101 174	173 ---
4	471-077	Screw, Machine, #8-32 x 3/8" Pan Hd Phillips, Stl Cad Plt	MS35208-39	0 2	101 174	173 ---
5	150-079	Socket, Tube, 7 pin	Cinch Type 1 #52P24022	2 0	101 174	173 ---
6	150-080	Socket, Tube, 9 pin	Cinch: Type 1 #44P24023	0 2	101 174	173 ---
VR1	011-004	Tube, Voltage Regulator, OA2		1 0	101 174	173 ---
VR2	011-004	Same as VR1		1 0	101 174	173 ---
V1	012-108	Tube, Electron, 12AX7		1		
V2	012-065	Tube, Electron, 12BH7A		1		



**PARTS LIST FOR: TAPE TRANSPORT ASSEMBLY**  
**Oscillator Assembly (OSC-700)**  
**Ampex Part No. 65551-13 and 65551-12**

**CAT. NO. 65261-5**

REF NO.	AMPEX PART NO.	DESCRIPTION	MFGR REF OR MIL SPEC NO.	QTY ASS'Y	EFFECTIVE	
					ON	THRU
T1	563-020	Transformer		1		
7	501-010	Washer, #8 Flat, Stl Cad Plt	MS15795-207	0 2	101 174	173 ----
8	502-004	Washer, #8 Spring Lock, Stl Cad Plt	MS35338-42	2		
9	041-021	Resistor, Carbon, 51K ohm 1/2 watt, 5%	MIL-R-11: RC20GF513J	2		
R701	044-297	Resistor, Variable, 1000 ohm, 2 watt, Linear Taper	Clarostat #A43-1000	1		
R702	044-297	Same as R701		1		
TB701	180-116	Terminal Strip, 8 Terminal		1		
TB702	180-116	Same as TB701		1		
TB703	180-117	Terminal Strip, 7 Terminal		1		
TB706	180-117	Same as TB703		1		
TB709	180-119	Terminal Strip, 4 Terminal		1		

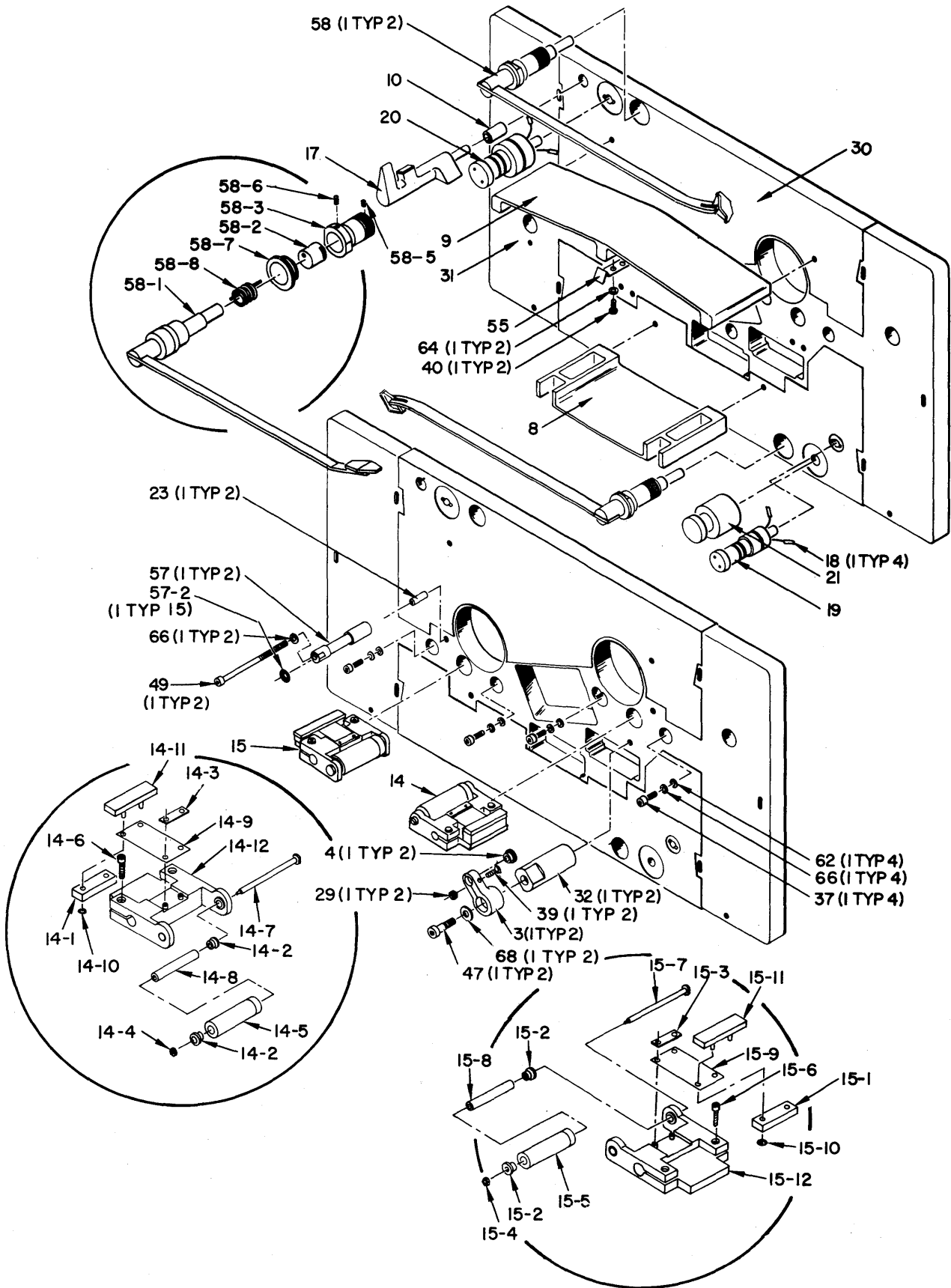


Figure 9-10  
Precision Plate Assembly ( 65458-51 )  
Sheet 1 of 2

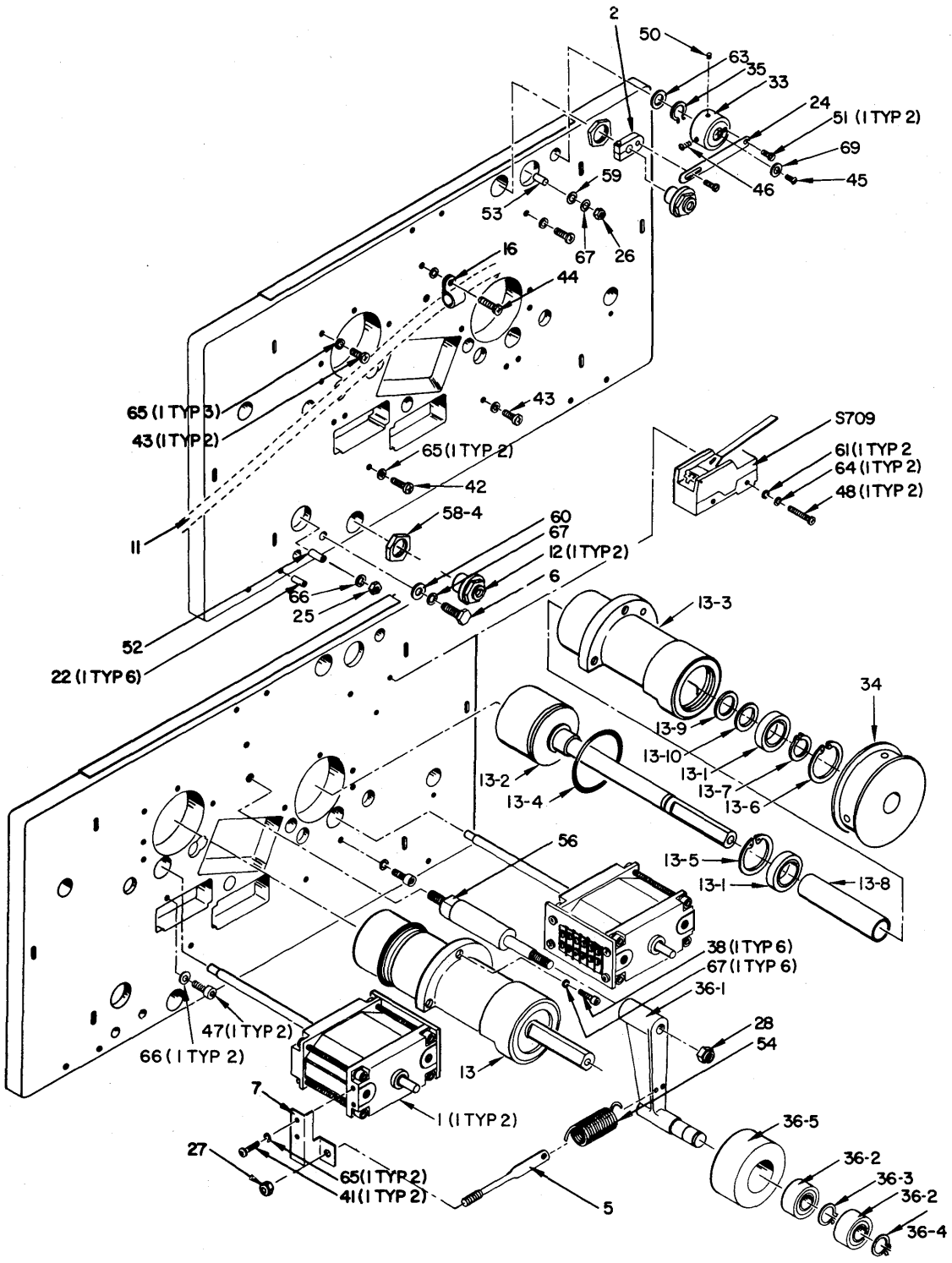


Figure 9-10  
 Precision Plate Assembly ( 65458-51 )  
 Sheet 2 of 2

PARTS LIST FOR: Tape Transport Assembly  
Precision Plate Assembly  
Amplex Part No. 65458-51

CAT. NO.65261-5

REF NO.	AMPEX PART NO.	DESCRIPTION	MFGR REF OR MIL SPEC NO.	QTY ASS'Y	EFFECTIVE	
					ON	THRU
1	60318-01	Actuator, Capstan Roller		2		
2	65499-10	Arm, Release, Tape Packer		1		
3	60955-10	Arm, Shaft Support		2		
4	61043-10	Bearing, Actuator Shaft Support		2		
5	396-6	Bolt, Eye		1		
6	480-004	Bolt, Machine, 10-32 x 29/32" Hex Hd, Stl Cad Plt		1		
7	60806-10	Bracket, Anchor		1		
8	60863-30	Bracket, Hinge		1		
9	60864-30	Bracket, Top Head Cover		1		
10	423-012	Bushing, Bronze Sleeve, .252 ID x .377 OD x 1/2"		1		
11	68506-20	Cable, Head Interconnecting (Photosense)		1		
12	310-067	Cam Assembly, Adjustable	Pic Design Corp P1-8	2		
13	60931-12	Capstan Assembly		2		
13-1	421-086	Bearing, Ball		2		
13-2	61919-01	Capstan		1		
13-3	60932-01	Housing, Capstan		1		
13-4	432-023	Ring, "O"	AN 6227-24	1		
13-5	430-032	Ring, Retainer, 1-1/8" Internal Bowed, Stl, Unplated	Truarc # 5000-112	1		

**PARTS LIST FOR: TAPE TRANSPORT ASSEMBLY**  
**Precision Plate Assembly**  
**Ampex Part No. 65458-51**

**CAT. NO.65261-5**

REF NO.	AMPEX PART NO.	DESCRIPTION	MFGR REF OR MIL SPEC NO.	QTY ASSY	EFFECTIVE	
					ON	THRU
13-6	430-063	Ring, Retainer, 1-1/8" Internal Bowed, Stl, Zinc Plt, Dich. Dip	Truarc # 5000-112-ST- ZD	1		
13-7	430-124	Ring, Retainer, 15/32" External Bowed, Stl, Unplt	Truarc # 5101-46-S	1		
13-8	62921-01	Spacer, Sleeve		1		
13-9	60935-01	Washer, Flat		A/R		
13-10	60935-02	Washer, Flat		A/R		
14	60939-10	Capstan Roller Assembly		1		
14-1	60949-01	Base, Tape Brake Weight		1		
14-2	421-064	Bearing, Ball		2		
14-3	60947-01	Clamp, Spring		1		
14-4	493-015	Nut, 6-32 Self-Locking, Stl Cad Plt, Nylon Insert		1		
14-5	60945-01	Pinch Roller Moulded Ass'y		1		
14-6	470-010	Screw, Socket Hd Cap, 4-40 x 3/8" Hex Drv Stl Cad Plt	MS35457-2	2		
14-7	60943-01	Shaft, Pinch Roller		1		
14-8	64727-10	Spacer, Sleeve		1		
14-9	60946-01	Spring, Leaf		1		
14-10	501-084	Washer		2		
14-11	60948-01	Weight, Brake		1		
14-12	60940-01	Yoke Assembly		1		
15	60939-20	Capstan Roller Assembly		1		

PARTS LIST FOR: TAPE TRANSPORT ASSEMBLY  
Precision Plate Assembly  
Ampex Part No. 65458-51

CAT. NO.65261-5

REF NO.	AMPEX PART NO.	DESCRIPTION	MFGR REF OR MIL SPEC NO.	QTY ASS'Y	EFFECTIVE	
					ON	THRU
15-1	60949-01	Base, Tape Brake Weight		1		
15-2	421-064	Bearing, Ball		2		
15-3	60947-01	Clamp, Spring		1		
15-4	493-015	Nut, 6-32 Self-Locking, Stl Cad Plt, Nylon Insert		1		
15-5	60945-01	Pinch Roller Moulded Ass'y		1		
15-6	470-010	Screw, Socket Hd Cap, 4-40 x 3/8" Hex Drv Stl Cad Plt	MS35457-2	2		
15-7	60943-01	Shaft, Pinch Roller		1		
15-8	64727-10	Spacer, Sleeve		1		
15-9	60946-01	Spring, Leaf		1		
15-10	501-084	Washer		2		
15-11	60948-01	Weight, Brake		1		
15-12	60940-01	Yoke Assembly		1		
16	302-037	Clamp, Cable, Plastic, 5/16" ID		1		
17	62994-40	Clamp, Tape		1		
18	171-009	Connector, Solderless, Knife Disconnect, #22		4		
19	65568-10	Guide Assembly, Auxiliary		1		
20	65589-10	Guide Assembly, Insulated		1		
21	65490-20	Guide, Transport		1		
22	495-010	Insert, Threaded, 10-32 x .285" Stls Stl	Heli-Coil #1191-3CNx. 285	6		

PARTS LIST FOR: TAPE TRANSPORT ASSEMBLY  
Precision Plate Assembly  
Ampex Part No. 65458-51

CAT. NO. 65261-5

REF NO.	AMPEX PART NO.	DESCRIPTION	MFGR REF OR MIL SPEC NO.	QTY ASS'Y	EFFECTIVE	
					ON	THRU
23	495-014	Insert, Threaded, 8-32 x .246" Stls Stl	Heli-Coil #1185-2CNx .246	2		
24	65479-10	Link, Tape Pacher		1		
25	492-010	Nut, 8-32, Plain Hex, Stl Cad Plt	MS35649-82	1		
26	492-011	Nut, 10-32, Plain Hex, Stl Cad Plt	MS35650-102	1		
27	492-008	Nut, 10-32, Self-Locking, Stl Cad Plt, Nylon Insert		1		
28	493-012	Nut, 1/4-20, Self-Locking, Stl C d Plt, Nylon Insert		1		
29	493-026	Nut, 4-40, Self-Locking Brs Cad Plt, Nylon Insert		2		
30	65489-13	Plate, Overlay		1		
31	65457-18	Plate, Precision		1		
32	60956-10	Post, Shaft Support		2		
33	65481-11	Pulley, Tape Packer Clamp		1	101	108
33	65481-12	Pulley, Tape Packer Clamp		1	109	
34	61154-12	Pulley Assembly		1		
35	430-130	Ring, Retainer, 1/4" Ext Bow Stls Stl		1		
36	60772-10	Roller Assembly		1		
36-1	61162-10	Arm, Idler Assembly		1		
36-2	421-070	Ball Bearing, Selected		2		

PARTS LIST FOR: TAPE TRANSPORT ASSEMBLY  
Precision Plate Assembly  
Ampex Part No. 65458-51

CAT. NO. 65261-5

REF NO.	AMPEX PART NO.	DESCRIPTION	MFGR REF OR MIL SPEC NO.	QTY ASS'Y	EFFECTIVE	
					ON	THRU
36-3	430-085	Ring, Retainer, 7/8" Int Bow, Stl		1		
36-4	430-111	Ring, Retainer, 3/8" Ext Bow, Stl		1		
36-5	60393-20	Roller, Belt Drive		1		
37	470-029	Screw, Socket Hd Cap, 8-32 x 1/2" Stl Cad Plt	MS35457-15	4		
38	470-040	Screw, Socket Hd Cap, 10-32 x 3/4" Stl Cad Plt	MS35458-13	6		
39	470-064	Screw, Socket Hd Cap, 4-40 x 5/8" Stls Stl		2		
40	471-059	Screw, Machine, 4-40 x 3/16" Pan Hd Phillips, Stl Cad Plt	MS35208-11	2		
41	471-068	Screw, Machine, 6-32 x 5/16" Pan Hd Phillips, Stl Cad Plt	MS35208-24	2		
42	471-072	Screw, Machine, 6-32 x 5/8" Pan Hd Phillips, Stl Cad Plt	MS35208-28	1		
43	471-074	Screw, Machine, 6-32 x 7/8" Pan Hd Phillips, Stl Cad Plt	MS35208-30	3		
44	471-075	Screw, Machine, 6-32 x 1" Pan Hd Phillips, Stl Cad Plt	MS35208-31	1		
45	471-337	Screw, Machine, 6-32 x 7/16" Flt Hd Phillips, Stl Cad Plt	MS35192-26	1		
46	471-634	Screw, Machine, 4-40 x 3/16" Slotted Binder Hd, Stl Cad Plt		1		
47	471-731	Screw, Machine, 10-24 x 3/8" Socket Shoulder Hd, Stl Cad Plt		4		
48	471-772	Screw, Machine, 4-40 x 1" Pan Hd Phillips, Stl Cad Plt	MS35208-20	2		



PARTS LIST FOR: TAPE TRANSPORT ASSEMBLY  
Precision Plate Assembly  
Ampex Part No. 65458-51

CAT. NO. 65261-5

REF NO.	AMPEX PART NO.	DESCRIPTION	MFGR REF OR MIL SPEC NO.	QTY ASSY	EFFECTIVE	
					ON	THRU
49	61782-2	Screw, Socket Hd Cap, 8-32 x 2-1/4", Stls Stl		2		
50	477-031	Screw, Set, Headless, 4-40 x 1/4" Hex Drive, Stl Cad Plt	MS51017-11	1		
51	65498-10	Screw, Shoulder, Pulley Clamp		2		
52	65576-10	Spacer		1		
53	60830-20	Spacer, Sleeve		1		
54	60963-10	Spring, Helical Extension		1		
55	60865-10	Spring, Latch		1		
56	60717-30	Stud, Shouldered		1		
S709	120-062	Switch, Lever Actuator 20 amp, spdt, Leader Clamp Interlock	Unimax #2HBT215-1	1		
57	61753-13	Tape Brake Post Assembly		2		
57-1	61752-10	Post, Brake		1		
57-2	432-002	O Ring, 5/16" ID x 7/16" OD x 1/16"		15		
58	65448-20	Tape Packer Assembly		2		
58-1	65446-20	Arm Assembly, Tape Packer		1		
58-2	68542-10	Bearing, Rear		1		
58-3	65447-10	Housing, Pivot		1		
58-4	65480-10	Nut, Pivot		1		
58-5	477-122	Screw, Set, Headless, 4-40 x 1/8" Hex Drive, Stls Stl		1		

PARTS LIST FOR: TAPE TRANSPORT ASSEMBLY  
Precision Plate Assembly  
Ampex Part No. 65458-51

CAT. NO. 65261-5

REF NO.	AMPEX PART NO.	DESCRIPTION	MFGR REF OR MIL SPEC NO.	QTY ASSY	EFFECTIVE	
					ON	THRU
58-6	477-176	Screw, Set, Headless, 4-40 x 1/8" Slotted Nylon		1		
58-7	68543-10	Screw, Thumb		1		
58-8	65483-10	Spring		1		
59	60827-10	Washer, Non-Metallic		1		
60	501-005	Washer, #10 Flat, Brass Cad Plt		1		
61	501-008	Washer, #4 Flat, Stl Cad Plt	MS15795-204	2		
62	501-010	Washer, #8 Flat, Stl Cad Plt	MS15795-207	4		
63	501-025	Washer, 1/4" Flat, Stl Cad Plt		1		
64	502-002	Washer, #4 Spring Lock, Stl Cad Plt	MS35338-40	10		
65	502-003	Washer, #6 Spring Lock, Stl Cad Plt	MS35338-41	7		
66	502-004	Washer, #8 Spring Lock, Stl Cad Plt	MS35338-42	7		
67	502-005	Washer, #10 Spring Lock, Stl Cad Plt	MS35338-43	8		
68	502-006	Washer, 1/4" Spring Lock, Stl Cad Plt	MS35338-44	11		
69	502-035	Washer, Ext Countersunk Lock Stl Cad Plt	MS35336-9	1		

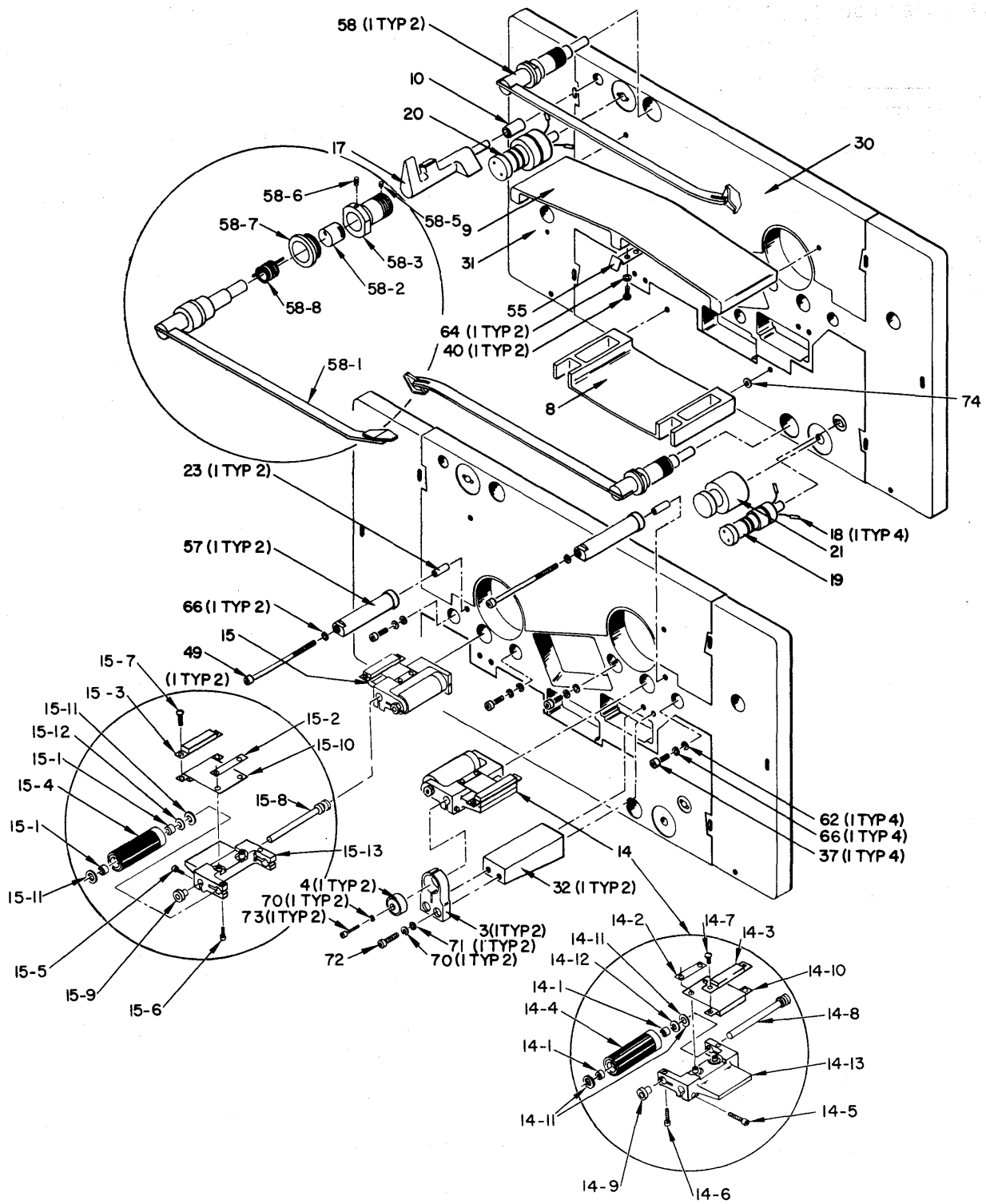


Figure 9-11  
 Precision Plate Assembly ( 65458-52, 53 )  
 Sheet 1 of 2

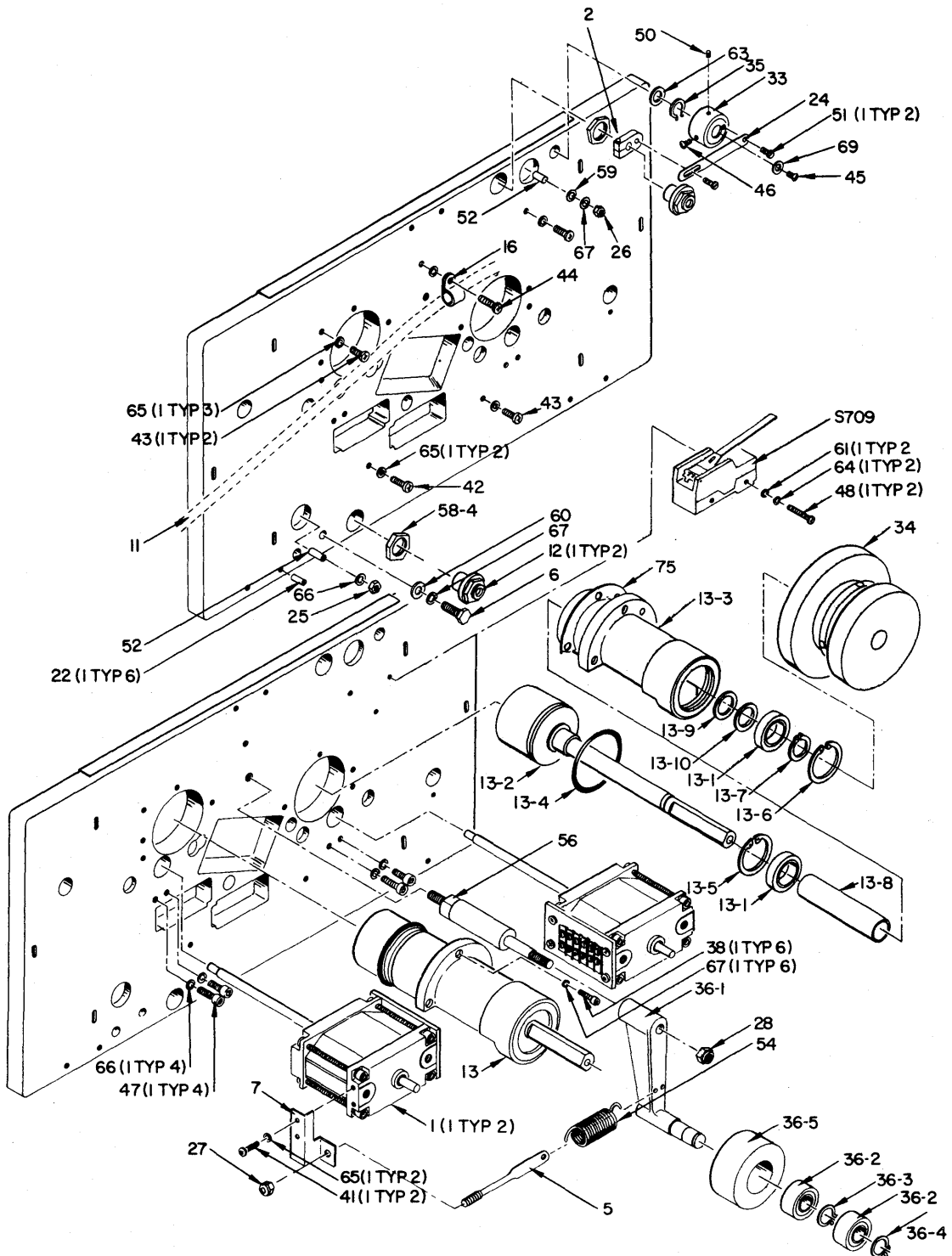


Figure 9-11  
 Precision Plate Assembly ( 65458-52, 53 )  
 Sheet 2 of 2

PARTS LIST FOR: TAPE TRANSPORT ASSEMBLY  
Precision Plate Assembly  
Ampex Part No. 65458-52,53

CAT. NO. 65261-5

REF NO.	AMPEX PART NO.	DESCRIPTION	MFGR REF OR MIL SPEC NO.	QTY ASS'Y	EFFECTIVE	
					ON	THRU
1	69371-10	Actuator, Capstan Roller		2		
2	65499-10	Arm, Release, Tape Packer		1		
3	69360-10	Arm, Shaft Support		2		
4	69346-10	Bushing Assembly, Rubber		2		
5	68511-11	Bolt, Eye		1		
6	480-004	Bolt, Machine, #10-32 x 29/32", Hex Hd, Stl Cad Plt		1		
7	60806-30	Bracket, Anchor		1		
8	60863-30	Bracket, Hinge Top Head Cover		1		
9	60864-90	Bracket, Hinge		1		
10	423-012	Bushing, Bronze Sleeve, .252 ID x .377 OD x 1/2"		1		
11	68506-20	Cable, Head Interconnecting (Photosense)		1		
12	310-067	Cam Assembly, Adjustable	Pic Design Corp #P1-8	2		
13	60931-41	Capstan Assembly		2	153	267
13-1	421-086	Bearing, Ball		1		
13-2	61919-01	Capstan		1		
13-3	60932-01	Housing, Capstan		1		
13-4	432-032	Ring, Quad		1		
13-5	430-032	Ring, Retainer, 1-1/8" Internal Bowed, Stl, Zinc	Truarc # 500-112	1		
13-6	430-063	Ring, Retainer, 1-1/8" Internal Bowed, Stl, Zinc Plt, Dich. Dip	Truarc # 500-112-ST ZD	1		

PARTS LIST FOR: TAPE TRANSPORT ASSEMBLY  
Precision Plate Assembly  
Ampex Part No. 65458-52, -53

CAT. NO. 65261-5

REF NO.	AMPEX PART NO.	DESCRIPTION	MFGR REF OR MIL SPEC NO.	QTY ASS'Y	EFFECTIVE	
					ON	THRU
13-7	430-124	Ring, Retainer, 15/32" External Bowed, Stl, Unplt	Truarc # 5101-46-S	1		
13-8	62921-01	Spacer, Sleeve		1		
13-9	60935-01	Washer, Flat		A/R		
13-10	60935-02	Washer, Flat		A/R		
13	310155410	Capstan Assembly		2	158 C101	164 ---
13-1	421-086	Bearing, Ball		2		
13-2	310175010	Capstan		1		
13-3	310174910	Housing, Capstan		1		
13-4	432-032	Ring, Quad		1		
13-5	430-165	Ring, Retainer, 1-1/8" Internal Bowed, Stl Cad Plt	Spirolox # RR-112	1		
13-6	430-063	Ring, Retainer, 1-1/8" Internal Bowed, Stl, Zinc Plt, Dich, Dip	Truarc # 5000-112-ST- ZD	1		
13-7	430-124	Ring, Retainer, 15/32" External Bowed, Stl, Unplt	Truarc #5101-46-S	1		
13-8	310039210	Spacer, Sleeve		1		
13-9	310038910	Washer, Flat		A/R		
13-10	310039010	Washer, Flat		A/R		
14	69340-11	Capstan Roller Assembly		1		
14-1	64859-10	Bearing, Ball		2		
14-2	60947-10	Clamp, Spring		1		
14-3	69337-20	Pad Assembly		1		

**PARTS LIST FOR: TAPE TRANSPORT ASSEMBLY**  
Precision Plate A ssembly  
Amplex Part No. 65458-52, -53

CAT. NO. 65261-5

REF NO.	AMPEX PART NO.	DESCRIPTION	MFGR REF OR MIL SPEC NO.	QTY ASS'Y	EFFECTIVE	
					ON	THRU
14-4	69912-10	Roller, Capstan		1		
14-5	470-177	Screw, Socket Hd Cap, #4-40 x 3/8" Hex Drv, Stl Cad Plt, Nylock Insert	Nylock # M60HS440-6C	2		
14-6	470-178	Screw, Socket Hd Cap, #2-56 x 7/16", Hex Drv, Stl Cad Plt, Nylock Insert	Nylock # M60HS256-7C	2		
14-7	471-866	Screw, Machine, 2-56 x 1/8" Pan Hd Slotted, Stl Cad Plt, Nylock Insert	Nylock # 37AS256-2C	2		
14-8	69349-10	Shaft Assembly		1		
14-9	69342-10	Sleeve, Flanged		1		
14-10	69338-10	Tape Brake Assembly		1		
14-11	501-047	Washer, Flat, .149 ID x 3/8 OD x .002 thk Brs WNP		2		
14-12	501-119	Washer		2		
14-13	69339-10	Yoke		1		
15	69340-21	Capstan Roller Assembly		1		
15-1	64859-10	Bearing, Ball		2		
15-2	60947-10	Clamp, Spring		1		
15-3	69337-20	Pad Assembly		1		
15-4	69912-10	Roller, Capstan		1		
15-5	470-177	Screw, Socket Hd Cap, 4-40 x 3/8" Hex Drv, Stl Cad Plt Nylock Insert	Nylock # M60HS440-6C	2		
15-6	470-178	Screw, Socket Hd Cap, 2-56 x 7/16" Hex Drv, Stl Cad Plt Nylock Insert	Nylock # M60HS256-7C	2		

PARTS LIST FOR: TAPE TRANSPORT ASSEMBLY  
Precision Plate Assembly  
Ampex Part No. 65458-52, -53

CAT. NO.65261-5

REF NO.	AMPEX PART NO.	DESCRIPTION	MFGR REF OR MIL SPEC NO.	QTY ASS'Y	EFFECTIVE	
					ON	THRU
15-7	471-866	Screw, Machine, 2-56 x 1/8" Pan Hd Slotte, Stl Cad Plt, Nylock Insert	Nylock # 37AS256-2C	2		
15-8	69349-10	Shaft Assembly		1		
15-9	69342-10	Sleeve, Flanged		1		
15-10	69338-10	Tape Brake Assembly		1		
15-11	501-047	Washer, Flat, .149 ID x 3/8 OD x .002 thk Brs WNP		2		
15-12	501-119	Washer		2		
15-13	69339-20	Yoke		1		
16	302-037	Clamp, Cable, Plastic, 5/16"		1		
17	62994-40	Clamp, Tape		1		
18	171-009	Connector, Solderless, Knife Disconnect, #22		4		
19	65568-10	Guide Assembly, Auxiliary		1		
20	65589-10	Guide Assembly, Insulated		1		
21	65490-20	Guide, Transport		1		
22	495-010	Insert, Threaded, 10-32 x .285" Stls Stl	Heli-Coil # 1191-3CNx 285	6		
23	495-014	Insert, Threaded, 8-32 x .246" Stls Stl	Heli-Coil # 1185-2CNx .246	2		
24	65479-10	Link, Tape Packer		1		
25	492-010	Nut, 8-32 Plain Hex, Stl Cad Plt	MS35649-82			
26	492-011	Nut, 10-32 Plain Hex, Stl Cad Plt	MS35649-102	1		



PARTS LIST FOR: TAPE TRANSPORT ASSEMBLY  
Precision Plate Assembly  
Amplex Part No. 65458-52, -53

CAT. NO. 65261-5

REF NO.	AMPEX PART NO.	DESCRIPTION	MFGR REF OR MIL SPEC NO.	QTY ASS'Y	EFFECTIVE	
					ON	THRU
27	493-008	Nut, 10-32 Self-Locking, Stl Cad Plt Nylon Insert		1		
28	493-012	Nut, 1/4-20 Self-Locking, Stl Cad Plt, Nylon Insert		1		
29		Not Used				
30	65489-13	Plate, Overlay		1		
31	65457-17	Plate, Precision		1	101	124
31	65457-18	Plate, Precision		1	125	188
31	65457-19	Plate, Precision		1	189	210
31	65457-30	Plate, Precision		1	211	---
32	68550-10	Post, Shaft Support		2		
33	65481-12	Pulley, Tape Packer Clamp		1		
34	300505-01	Pulley Assembly		1		
35	430-130	Ring, Retainer, 1/4" External Bow, Stls Stl		1		
36	60772-10	Roller Assembly		1		
36-1	61162-10	Arm, Idler Assembly		1		
36-2	421-070	Ball Bearing, Selected		2		
36-3	430-085	Ring, Retainer, 7/8", Ext Bow		1		
36-4	430-111	Ring, Retainer, 3/8", Ext Bow		1		
36-5	60393-20	Roller, Belt Drive		1		
37	470-029	Screw, Socket Hd Cap, 8-32 x 1/2" Stl Cad Plt	MS35457-15	4		

PARTS LIST FOR: TAPE TRANSPORT ASSEMBLY  
Precision Plate Assembly  
Amplex Part No. 65458-52, -53

CAT. NO. 65261-5

REF NO.	AMPEX PART NO.	DESCRIPTION	MFGR REF OR MIL SPEC NO.	QTY ASSY	EFFECTIVE	
					ON	THRU
38	470-040	Screw, Socket Hd Cap, 10-32 x 3/4" Stl Cad Plt	MS35458-13	6		
39	470-167	Screw, Socket Hd Cap, 4-40 x 5/8" Stls Stl		2		
40	471-059	Screw, Machine, 4-40 x 3/16" Pan Hd Phillips Stl Cad Plt	MS35208-11	2		
41	471-068	Screw, Machine 6-32 x 5/16" Pan Hd Phillips Stl Cad Plt	MS35208-24	2		
42	471-072	Screw, Machine, 6-32 x 5/8" Pan Hd Phillips Stl Cad Plt	MS35208-28	1		
43	471-074	Screw, Machine, 6-32 x 7/8" Pan Hd Phillips Stl Cad Plt	MS35208-30	3		
44	471-075	Screw, Machine, 6-32 x 1" Pan Hd Phillips Stl Cad Plt	MS35208-31	1		
45	471-337	Screw, Machine, 6-32 x 7/16" Flt Hd Phillips Stl Cad Plt	MS35192-26	1		
46	471-634	Screw, Machine, 4-40 x 3/16" Slotted Binder Hd Stl Cad Plt		1		
47	470-031	Screw, Socket Hd Cap, 8-32 x 3/4" Hex Skt Drv Stl Cad Plt	MS35457-16	4		
48	471-772	Screw, Machine, 4-40 x 1" Pan Hd Phillips Stl Cad Plt	MS35208-20	2		
49	61782-20	Screw, Socket Hd Cap, 8-32 x 2-1/4", Stls Stl		2		
50	477-031	Screw, Set, Headless, 4-40 x 1/4" Hex Drv Stl Cad Plt	MS51017-11	1		
51	65498-10	Screw, Shoulder, Pulley Clamp		2		
52	69324-10	Spacer		2		
53		Not Used				

PARTS LIST FOR: TAPE TRANSPORT ASSEMBLY  
Precision Plate Assembly  
Ampex Part No. 65458-52, -53

CAT. NO. 65261-5

REF NO.	AMPEX PART NO.	DESCRIPTION	MFGR REF OR MIL SPEC NO.	QTY ASS'Y	EFFECTIVE	
					ON	THRU
54	60963-10	Spring, Helical Extension		1		
55	60865-10	Spring, Latch		1		
56	60717-30	Stud, Shouldered		1		
S709	120-062	Switch, Lever Actuator, 10 amp 125 vac	Unimax 2 HBT 215-1 or equiv.	1		
57	69333-10	Tape Brake Post		2		
58	65448-20	Tape Packer Assembly		2		
58-1	65446-20	Arm Assembly, Tape Packer		1		
58-2	68542-10	Bearing, Rear		2		
58-3	65447-10	Housing, Pivot		1		
58-4	65480-10	Nut, Pivot		1		
58-5	477-122	Screw, Set, Headless, 4-40 x 1/8" Hex Drv, Stls Stl		1		
58-6	477-176	Screw, Set, Headless, 4-40 x 1/8" Slotted, Nylon		1		
58-7	68543-10	Screw, Thumb		1		
58-8	65483-10	Spring		1		
59	503-013	Washer, Non-Metallic		2		
60	501-005	Washer, #10 Flat, Brs Cad Plt		1		
61	501-008	Washer, #4 Flat, Stl Cad Plt	MS15795-204	2		
62	501-010	Washer, #8 Flat, Stl Cad Plt	MS15795-207	4		
63	501-025	Washer, 1/4" Flat, Stl Cad Plt		1		
64	502-002	Washer, #4 Spring Lock, Stl Cad Plt	MS35338-40	10		

PARTS LIST FOR: TAPE TRANSPORT ASSEMBLY  
Precision Plate Assembly  
Ampex Part No. 65458-52, -53

CAT. NO. 65261-5

REF NO.	AMPEX PART NO.	DESCRIPTION	MFGR REF OR MIL SPEC NO.	QTY ASS'Y	EFFECTIVE	
					ON	THRU
65	502-003	Washer, #6 Spring Lock, Stl Cad Plt	MS35338-41	7		
66	502-004	Washer, #8 Spring Lock, Stl Cad Plt	MS35338-42	11		
67	502-005	Washer, #10 Spring Lock, Stl Cad Plt	MS35338-43	8		
68		Not Used				
69	502-035	Washer, Ext Countersunk Lock, Stl Cad Plt	MS35336-9	1		
70	501-014	Washer, #4 Flat, Stls Stl	MS15795-304	4		
71	502-008	Washer, #4 Spring Lock	MS35338-78	4		
72	470-167	Screw, Socket Hd Cap, 4-40 x 7/16", Hex Drv, Stls Stl		4		
73	470-177	Screw, Socket Hd Cap, 4-40 x 5/16", Hex Drv, Stl Cad Plt, Nylock Insert		2		
74	501-009	Washer, #6 Flat, Stl Cad Plt	MS15795-206	2		
75	65393-10	Shim, Capstan		2		

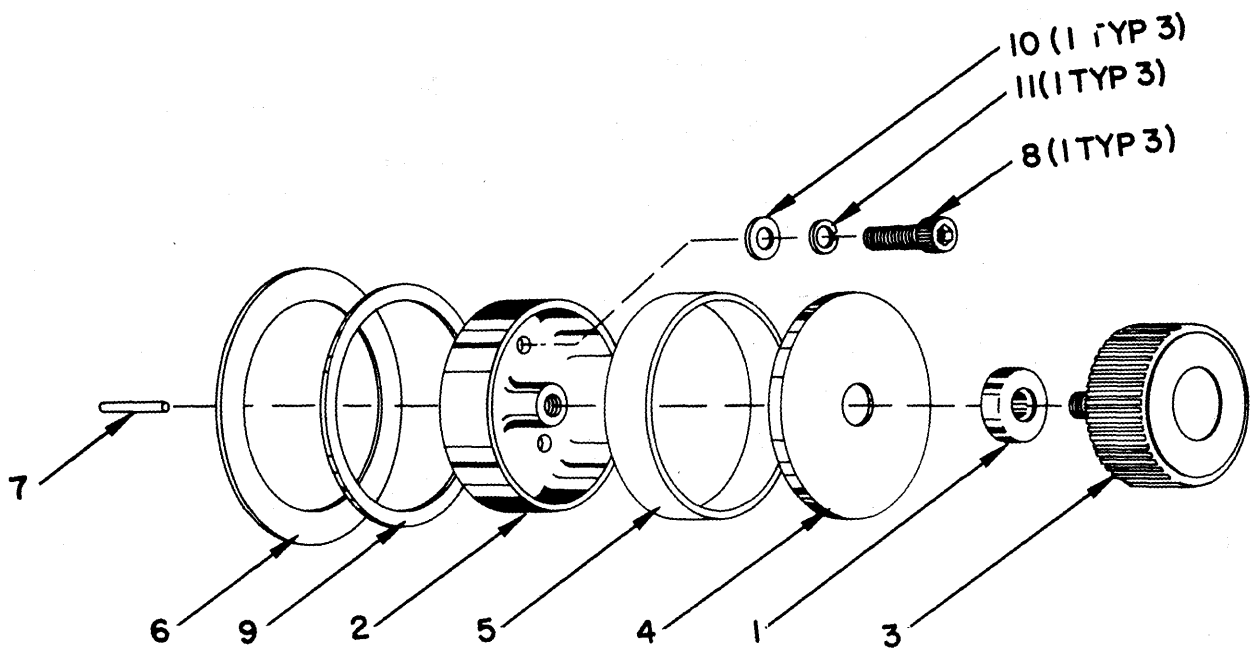


Figure 9-12  
Reel Retainer Assembly

## PARTS LIST FOR: TAPE TRANSPORT ASSEMBLY

CAT. NO. 65261-5

Reel Retainer Assembly, IBM Compatible  
Amplex Part No. 41590-30

REF NO.	AMPEX PART NO.	DESCRIPTION	MFGR REF OR MIL SPEC NO.	QTY ASS'Y	EFFECTIVE	
					ON	THRU
1	423-045	Bearing, Thrust	Boston #602	1		
2	42995-01	Hub, IBM Hold-Down		1		
3	43085-01	Knob, IBM Hold-Down		1		
4	43093-01	Latch Cover, IBM Hold-Down		1		
5	350-023	Latch Ring		1		
6	18819-20	Pad, Turntable		1		
7	402-011	Pin, Dowel, .1250" dia x .500" lg Stls Stl		1		
8	470-093	Screw, Socket Hd Cap, #10-32 x 1" Stls Stl, Passivated		3		
9	44768-01	Spacer		1		
10	501-017	Washer, #10 Flat, Stls Stl Passivated		3		
11	502-011	Washer, #10 Spring Lock, Stls Stl Passivated		3		

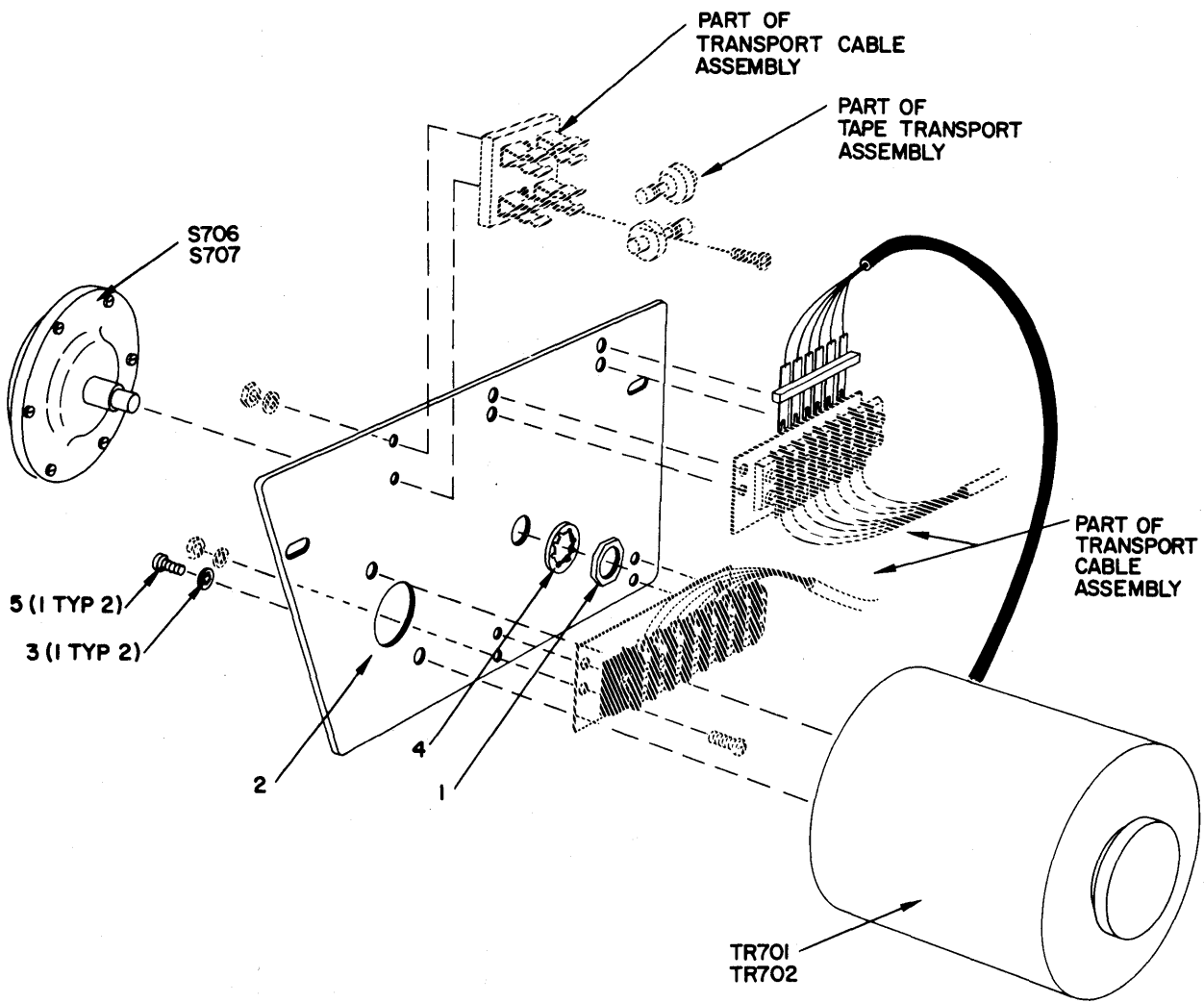


Figure 9-13  
 Servo Control Assembly

**PARTS LIST FOR: TAPE TRANSPORT ASSEMBLY**  
**Servo Control Assembly**  
**Ampex Part No. 65432-11, -21**

**CAT. NO. 65261-5**

REF NO.	AMPEX PART NO.	DESCRIPTION	MFGR REF OR MIL SPEC NO.	QTY ASS'Y	EFFECTIVE	
					ON	THRU
1	498-049	Nut, 3/8-32 Hex, Stl Cad Plt		1		
2	65421-10	Plate, Mounting (-11 version only)		1		
2	65421-20	Plate, Mounting (-21 version only)		1		
3	471-086	Screw, Machine, 10-32 x 1/2" Pan Hd Phillips, Stl Cad Plt	MS35209-55	2		
S706 (S707)	65591-10	Switch, Differential Vacuum		1		
TR701 (TR702)	68535-10	Transducer		1		
4	502-027	Washer, #10 Int Tooth, Stl Cad Plt	MS35333-39	2		
5	502-083	Washer, 3/8" Int Tooth, Stl Cad Plt	MS35333-42	1		



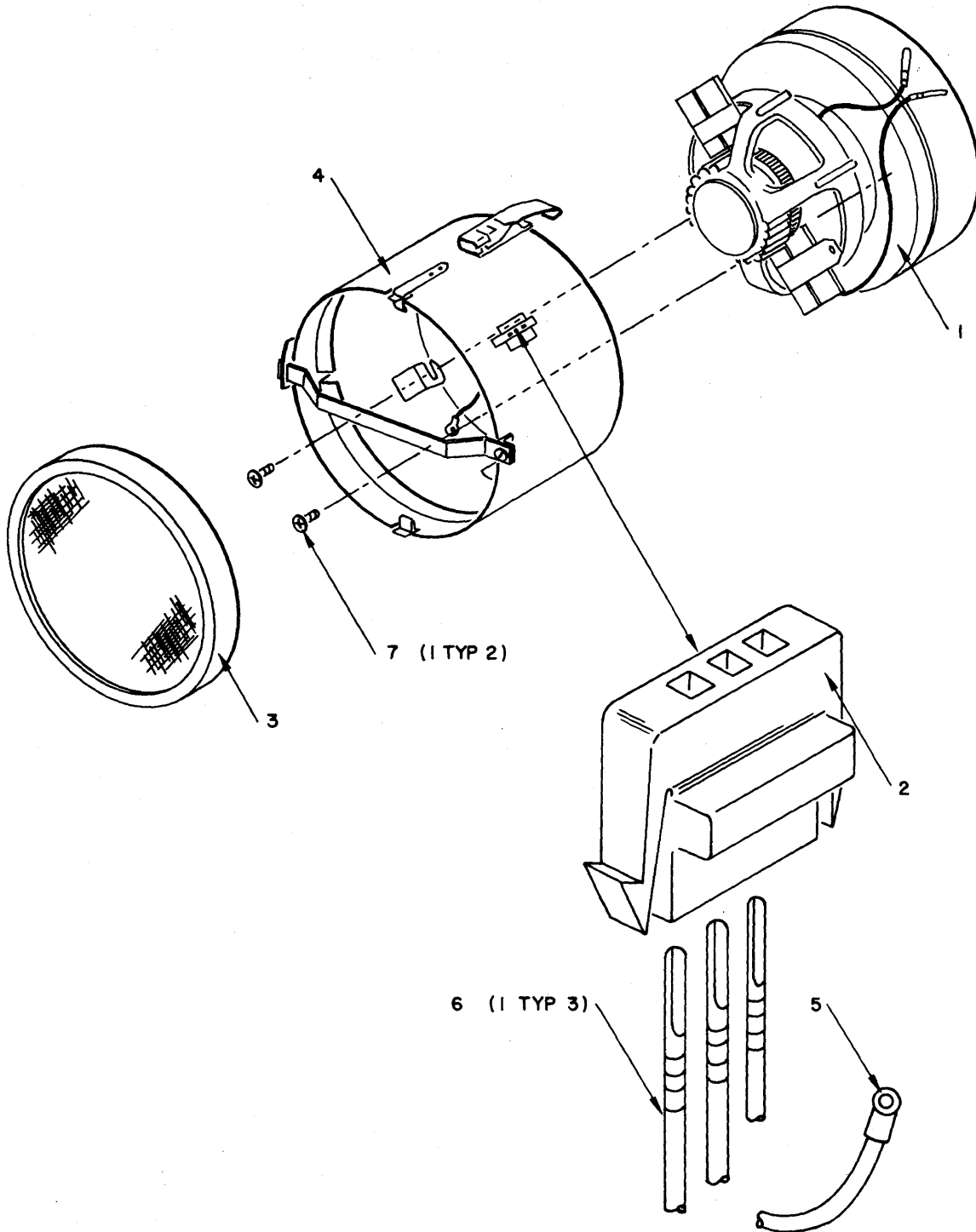


Figure 9-14  
 Vacuum Blower Assembly

PARTS LIST FOR: TAPE TRANSPORT ASSEMBLY  
 Vacuum Blower Assembly  
 Ampex Part No. 65417-11, -12, -13

CAT. NO. 65261-5

REF NO.	AMPEX PART NO.	DESCRIPTION	MFGR REF OR MIL SPEC NO.	QTY ASS'Y	EFFECTIVE	
					ON	THRU
1	65422-10	Blower and Motor Assembly		1		
2	169-049	Connector, Chassis Plug, 3 Pin	Amp Inc. #480177-1	1		
3	65418-10	Filter		1		
4	65411-12	Housing Assembly, Vacuum Blower		1	101	116
4	65411-13	Housing Assembly, Vacuum Blower		1	117	188
4	65411-14	Housing Assembly, Vacuum Blower		1	189	--
5	171-016	Lug, Solderless	Amp Inc. #34170	1		
6	169-019	Pin, Connector Contact	Amp Inc. #42641-1	3		
7	471-087	Screw, Machine, #10-32 x 3/8" Pan Hd Phillips, Stl Cad Plt	MS35209-53	2		

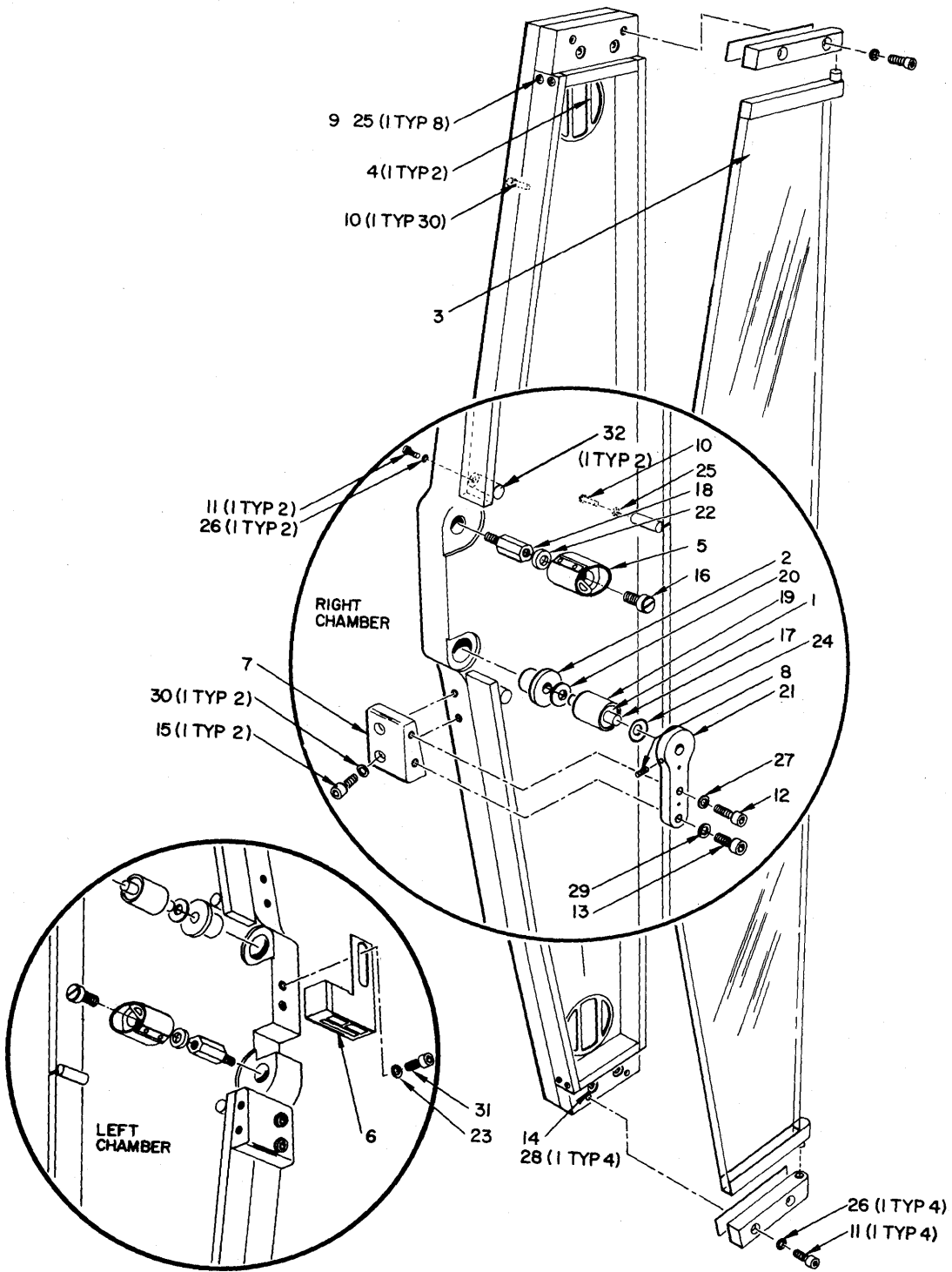


Figure 9-15  
Vacuum Chamber Assembly

PARTS LIST FOR: TAPE TRANSPORT  
 Vacuum Chamber Assembly  
 Ampex Part No. 65389-24/-43

CAT. NO. 65261-5

REF NO.	AMPEX PART NO.	DESCRIPTION	MFGR REF OR MIL SPEC NO.	QTY ASS'Y	EFFECTIVE	
					ON	THRU
1	64810-1	Bearing, Double Shield .1250 ID x .3125 OD x .140"		2		
2	69921-10	Bushing, (Rotary Guide)		1		
3	65349-13	Door, Assembly		1		
4	65353-10	Grille, Fab. Chamber		2		
5	65395-22	Guide, Assembly, Tape, Buffer Spring		1		
6	68532-1	Post, Photosensing Assembly (-43 version only)		1		
7	69914-2	Post, Support (Rotary Guide)		1		
8	477-027	Screw, Set, Headless 2-56 x 3/16 Lg Cup Pt. Stl Cad Plt	MS:#51017-2	1		
9	470-001	Screw, Socket Hd Cap #2-56 x 3/16 Lg, Stl Cad Plt		8		
10	470-006	Screw, Socket Hd Cap #2-56 x 1/2 Lg, Stl Cad Plt		31		
11	470-064	Screw, Socket Hd Cap #4-40 x 5/8" Lg, Stls Stl Passivated	ASA:B18.3-1947	6		
12	470-062	Screw, Socket Hd Cap #4-40 x 7/16 Lg, Stls Stl Passivated		1		
13	470-070	Screw, Socket Hd Cap #6-32 x 7/16 Lg, Stls Stl Passivated	ASA:B18.3-1947	1		
14	470-073	Screw, Socket Hd Cap #6-32 x 3/4 Lg, Stls Stl Passivated	ASA:B18.3-1947	4		
15	470-088	Screw, Socket Hd Cap #10-32 x 7/16 Lg, Stls Stl Passivated		2		

**PARTS LIST FOR: TAPE TRANSPORT**  
**Vacuum Chamber Assembly**  
**Amplex Part No. 65389-24/-43**

**CAT. NO. 65261-5**

REF NO.	AMPEX PART NO.	DESCRIPTION	MFGR REF OR MIL SPEC NO.	QTY ASS'Y	EFFECTIVE	
					ON	THRU
16	65354-10	Screw, Tape Guide, Fixed		1		
17	69920-20	Shaft, Rotary Guide		1		
18	65357-10	Shaft, Tape Guide, Fixed		1		
19	69917-20	Sleeve Assembly (Rotary Guide)		1		
20	69919-10	Spacer, Rotary Guide		1		
21	69918-10	Support Plate (Rotary Guide)		1		
22	65261-53	Washer, Ball Seat		1		
23	501-008	Washer, #4 Flat, Stl Cad Plt		2		
24	506-017	Washer, Spring .245 x .235 OD x .130 x .126 ID; .008 thk Ber. Cop. Bright Dip		1		
25	502-001	Washer, #2 Spring Lock Stl Cad Plt	MS:35338-39	9		
26	502-002	Washer, #4 Spring Lock Stl Cad Plt	MS:35338-40	6		
27	502-008	Washer, #4 Spring Lock Stls Stl Passivated	MS:35338-78	1		
28	502-003	Washer, #6 Spring Lock Stl Cad Plt	MS:35338-41	4		
29	502-009	Washer, #6 Spring Lock Stls Stl Passivated	MS:35338-79	1		
30	502-011	Washer, #10 Spring Lock Stls Stl Passivated	MS:35338-81	2		

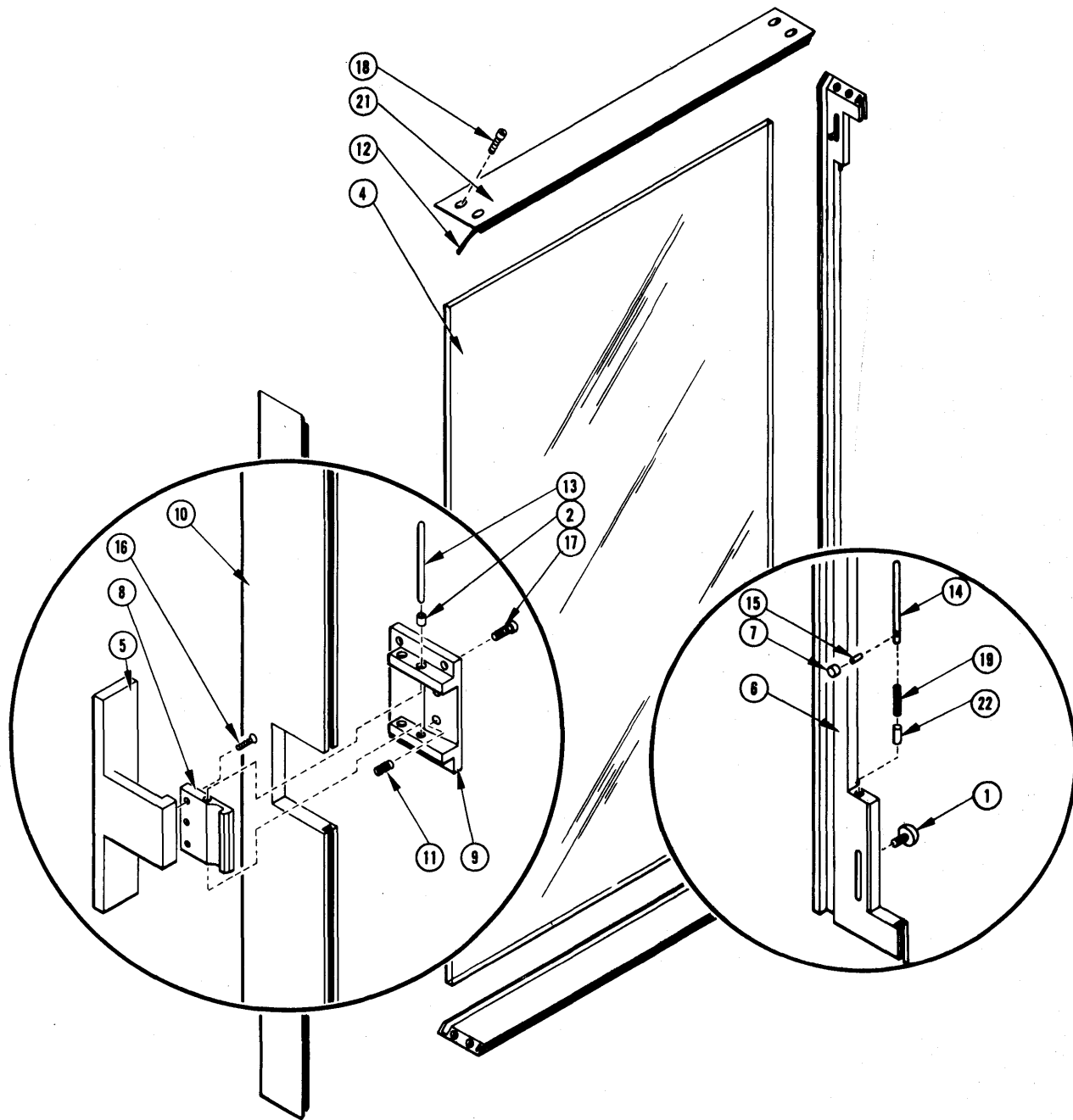


Figure 9-16  
 Transport Access Door Assembly

PARTS LIST FOR: TAPE TRANSPORT ACCESS DOOR ASSEMBLY CAT. NO. 65368-2

REF NO.	AMPEX PART NO.	DESCRIPTION	MFGR REF OR MIL SPEC NO.	QTY ASSY	EFFECTIVE	
					ON	THRU
1	250-019	Bumper, Insert 1/2 OD x 1/4 High	Rubbercraft #6262	2		
2	423-032	Bushing, Oilite, Bronze 1/8 ID x 3/16 OD x 1/4 Lg	Chrysler Amplex #AA-110-2	4		
3	423-033	Bushing, Oilite, Bronze 3/16 ID x 1/4 OD x 5/8 Lg	Chrysler Amplex #AA-226-4	2		
4	65373-10	Glass		1		
5	65377-10	Handle, Hook		1		
6	65370-11	Hinge, Side Strip		1		
7	90042-10	Knob		2		
8	65376-10	Latch		1		
9	65375-11	Latch, Plate		1		
10	65371-11	Latch, Side Strip		1		
11	90024-10	Latch, Spring		2		
12	269-090	Molding, Rubber 7/32 x 1/4 W, 1/8 Hole Dia	Rubbercraft #1124	A/R		
13	402-022	Pin, Dowel, Stl Unplated	Davley #7-0432-1	2		
14	90027-10	Pin, Hinge		2		
15	406-028	Pin, "RollPin" 3/32 Dia x 9/16 Lg, Stls Stl Unplated		2		
16	471-380	Screw, Machine, Flat Hd Phillips, #4-40 x 5/16, Stls Stl Passivated	MS:#35200-13	3		
17	470-059	Screw, Socket Hd Cap #4-40 x 1/4 Lg Stls Stl Passivated	ASA:#B18.3-1947	4		

## PARTS LIST FOR: TAPE TRANSPORT ACCESS DOOR ASSEMBLY CAT. NO. 65368-2

REF NO.	AMPEX PART NO.	DESCRIPTION	MFGR REF OR MIL SPEC NO.	QTY ASSY	EFFECTIVE	
					ON	THRU
18	470-076	Screw, Socket Hd Cap #8-32 x 1/4 Lg Stl Cad Plt		8		
19	90029-10	Spring, Hinge		2		
20	90038-11	Strike, Latch, Door		2		
21	65369-10	Strip, Top & Bottom		2		
22	65372-10	Stop, Spring, Hinge		2		



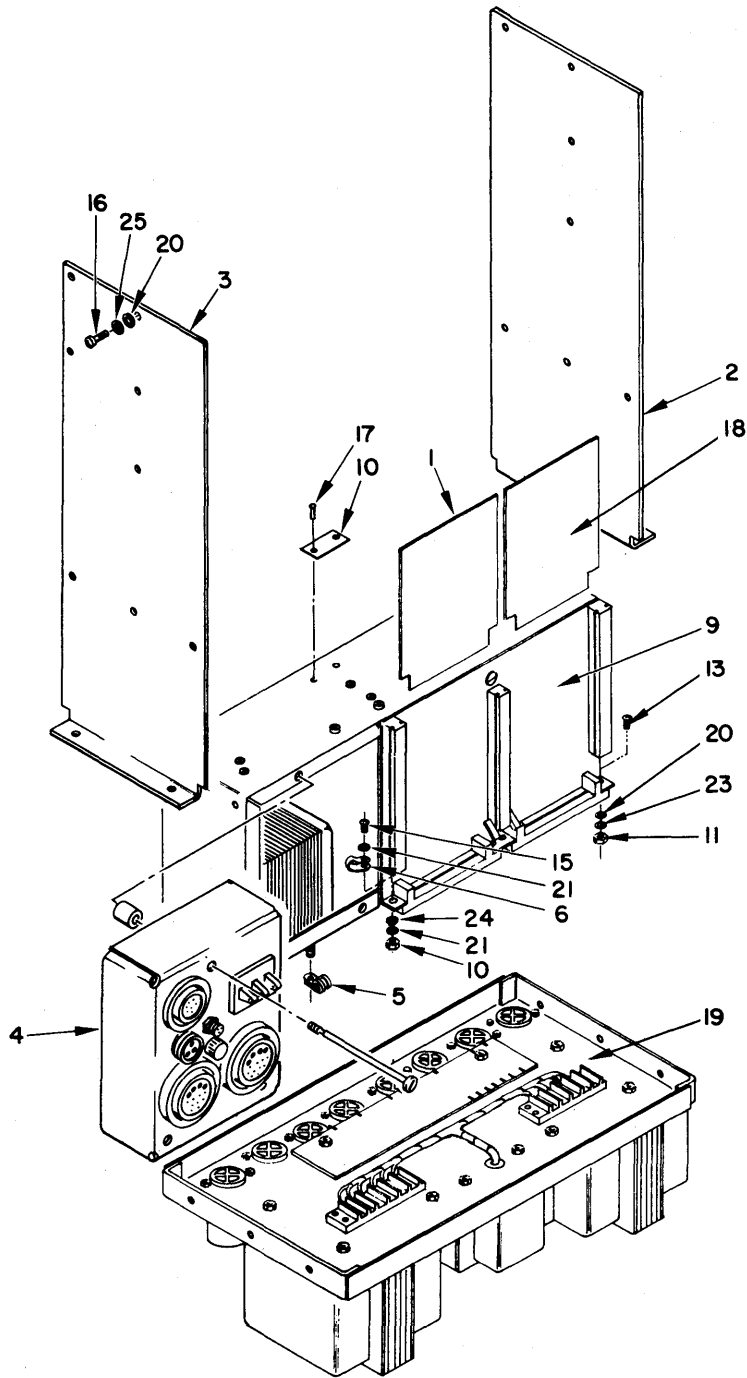


Figure 9-17  
 Transport Electronics Assembly

## PARTS LIST FOR: TRANSPORT ELECTRONICS ASSEMBLY CAT. NO. 65260-1

REF NO.	AMPEX PART NO.	DESCRIPTION	MFGR REF OR MIL SPEC NO.	QTY ASS'Y	EFFECTIVE	
					ON	THRU
1	65310-11*	Actuator Control Unit Assembly (AC-400)		1	101	131
1	65310-12*	Actuator Control Unit Assembly (AC-400)		1	132	170
1	65310-13*	Actuator Control Unit Assembly (AC-400)		1	171	---
2	65506-10	Bracket, Angle, Horizontal		1	101	211
2	65506-11	Bracket, Angle Horizontal		1	212	---
3	65506-20	Bracket, Angle Horizontal		1		
4	65300-12*	Chassis Assembly (CC-300)		1	101	131
4	65300-13*	Chassis Assembly (CC-300)		1	132	---
5	302-026	Clamp, Cable, 1/2" ID		1		
6	302-036	Clamp, Cable, 3/8" ID		1	101	248
6	302-076	Clamp, Cable, 3/8" ID		1	249	---
7	302-029	Clamp, Cable, 3/4" ID		1		
8	65504-10	Cover, Perforated		1	101	127
8	65504-11	Cover, Perforated		1	128	---
9	65280-12*	Electronics Power Supply (PS-100)		1	101	127
9	65280-13*	Electronics Power Supply (PS-100)		1	128	211
9	65280-20*	Electronics Power Supply (PS-100)		1	212	228
9	65280-21*	Electronics Power Supply (PS-100)		1	300	---

PARTS LIST FOR: TRANSPORT ELECTRONICS ASSEMBLY CAT. NO. 65260-1

REF NO.	AMPEX PART NO.	DESCRIPTION	MFGR REF OR MIL SPEC NO.	QTY ASSY	EFFECTIVE	
					ON	THRU
9	65280-23*	Electronics Power Supply (PS-100)		1	300	---
				1	212	228
				1	229	---
10	492-010	Nut, #8-32 Plain Hex, Stl Cad Plt	MS35649-82	1		
11	492-032	Nut, #4-40 Plain Hex, Small Pattern Stl Cad Plt		1	101	248
11	496-004	Nut, #4-40 Keps, Stl Cad Plt		1	249	---
12	11750-01	Plate, Identification		1		
13	471-060	Screw, Machine, #4-40 x 1/4" Pan Hd Phillips, Stl Cad Plt	MS35208-12	3		
14	471-062	Screw, Machine, #4-40 x 3/8" Pan Hd Phillips, Stl Cad Plt	MS35208-14	1	101	248
14	471-064	Screw, Machine, #4-40 x 1/2" Pan Hd Phillips, Stl Cad Plt	MS35208-16	1	249	---
15	471-079	Screw, Machine, #8-32 x 7/16" Pan Hd Phillips, Stl Cad Plt	MS35208-41	1		
16	471-089	Screw, Machine, #10-32 x 1/2" Pan Hd Phillips, Stl Cad Plt	MS35209-55	20	101	211
				18	212	---
17	474-008	Screw, Drive, #0 x 1/8"	Parker-Kalon "U"	2		
18	65315-11*	Servo Amplifier Assembly (SA-500)		1	101	204
18	65315-12*	Servo Amplifier Assembly (SA-500)		1	205	231
18	65315-13*	Servo Amplifier Assembly (SA-500)		1	232	---
19	65295-10*	Servo Motor Power Supply (PS-200)		1	101	178

## PARTS LIST FOR: TRANSPORT ELECTRONICS ASSEMBLY CAT. NO. 65260-1

REF NO.	AMPEX PART NO.	DESCRIPTION	MFGR REF OR MIL SPEC NO.	QTY ASS'Y	EFFECTIVE	
					ON	THRU
19	65295-11*	Servo Motor Power Supply (PS-200)		1	179	---
20	501-008	Washer, #4 Flat, Stl Cad Plt	MS15795-204	4		
21	501-010	Washer, #8 Flat, Stl Cad Plt	MS15795-207	1		
22	501-011	Washer, #10 Flat, Stl Cad Plt	MS15795-208	20 18	101 213	211 ---
23	502-002	Washer, #4 Spring Lock, Stl Cad Plt	MS35338-40	4 0	101 249	248 ---
24	502-004	Washer, #8 Spring Lock, Stl Cad Plt	MS35338-42	1		
25	502-005	Washer, #10 Spring Lock, Stl Cad Plt	MS35338-43	20 18	101 212	211 ---

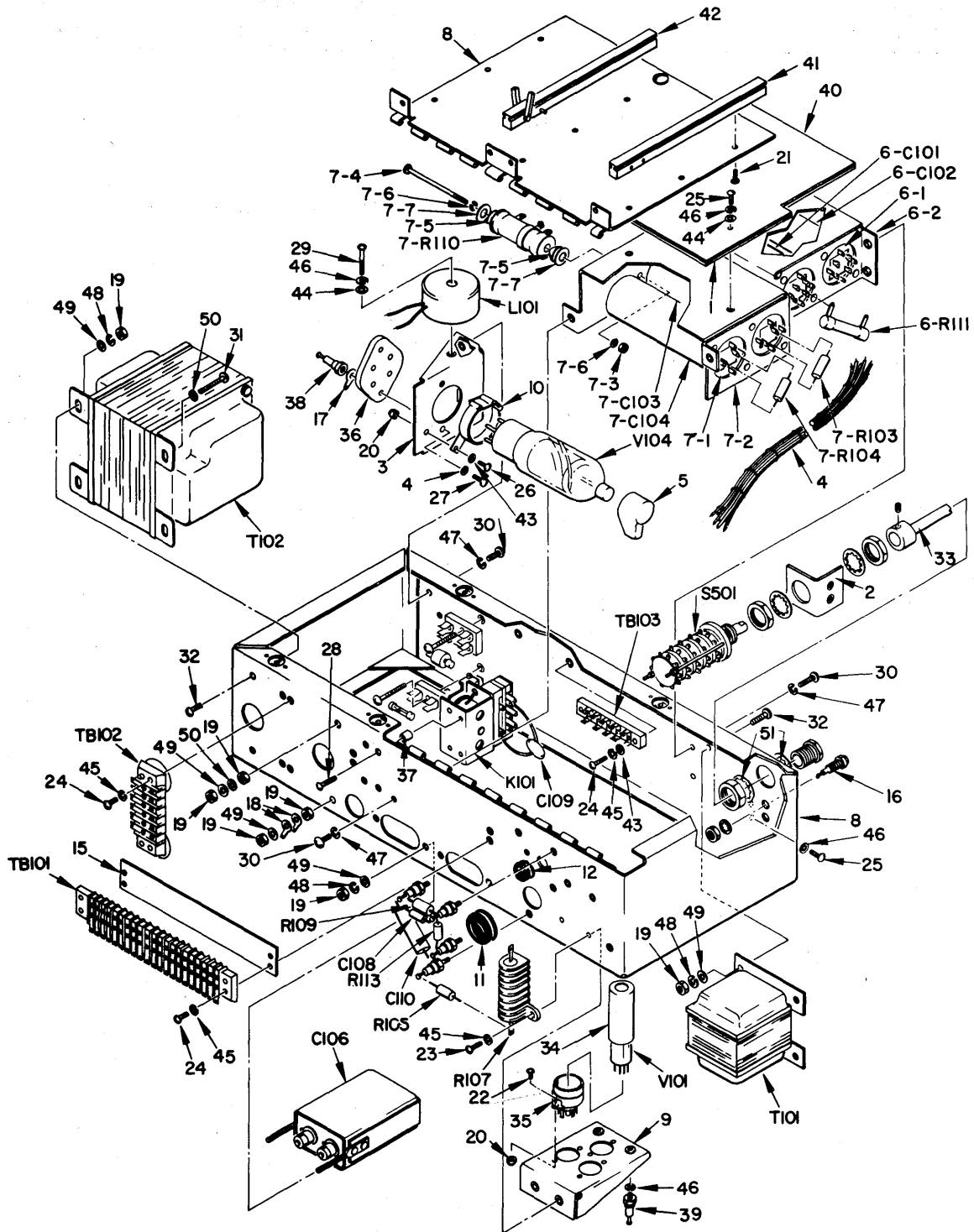


Figure 9-18  
 Electronics Power Supply PS-100  
 Sheet 1 of 3

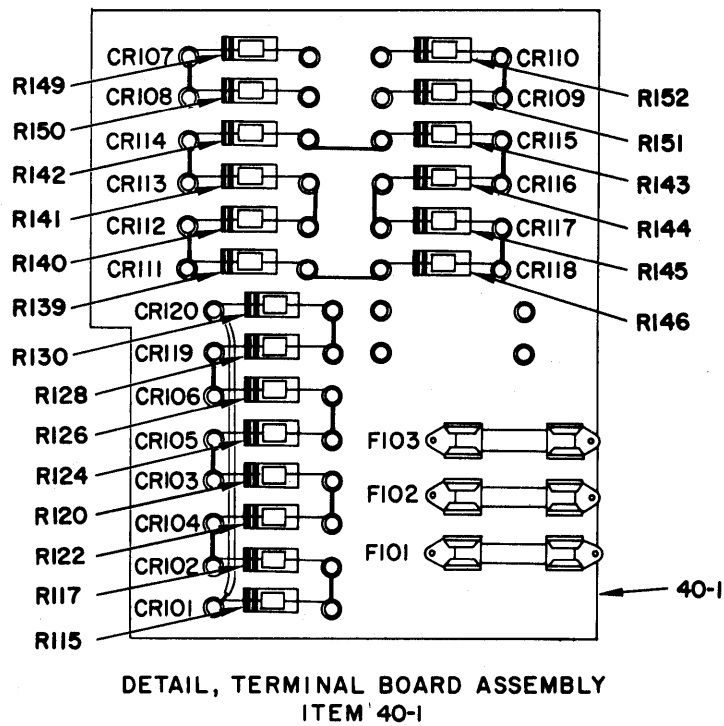
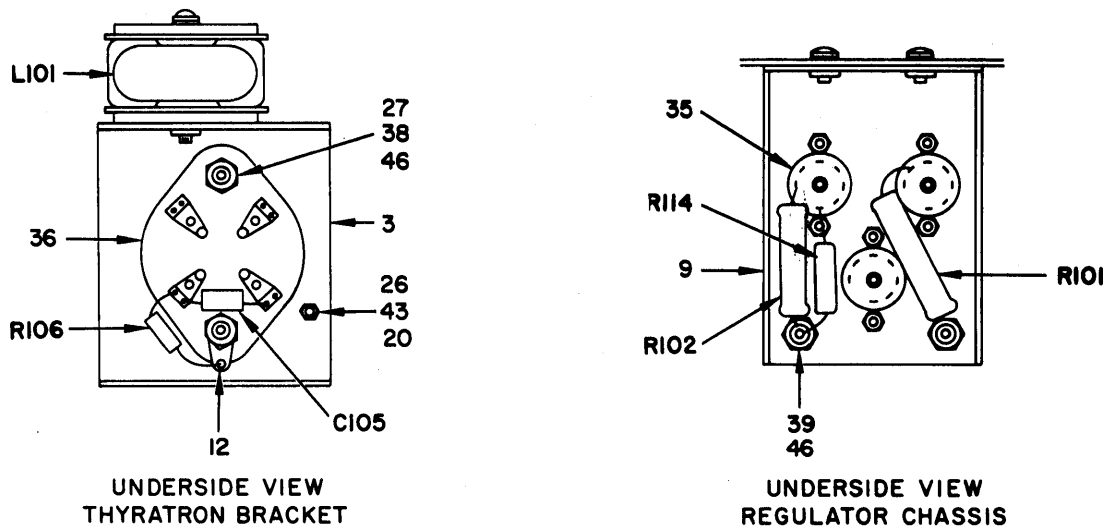
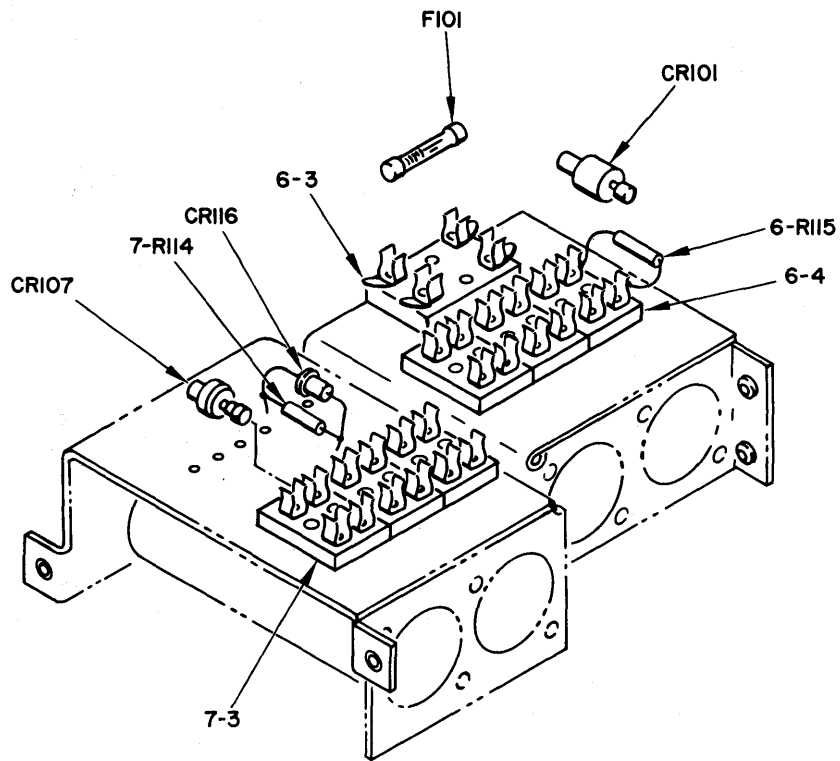


Figure 9-18  
 Electronics Power Supply PS-100  
 Sheet 2 of 3



DETAIL, CAPACITOR-RECTIFIER ASSEMBLIES SERIAL No's 104-403

Figure 9-18  
 Electronics Power Supply PS-100  
 Sheet 3 of 3

PARTS LIST FOR: TRANSPORT ELECTRONICS ASSEMBLY CAT. NO. 65260-1  
 Electronics Power Supply (PS-100)  
 Ampex Part No. 65280-1, -2

REF NO.	AMPEX PART NO.	DESCRIPTION	MFGR REF OR MIL SPEC NO.	QTY ASS'Y	EFFECTIVE	
					ON	THRU
1	281-018	Bearing, Panel, Brs Nkl Plt	H. H. Smith #119	1	211	---
2	69930-10	Bracket, Angle, Servo Switch		1	211	---
3	65512-10	Bracket, Thyatron		1		
4	65282-11	Cable, Harness		1	101	131
4	65282-12	Cable, Harness		1	132	210
4	65282-13	Cable, Harness		1	211	325
4	65282-24	Cable, Harness		1	326	---
5	162-017	Cap, Plate	Millen #36001	1		
C105	034-105	Capacitor, Mica, .00047 ufd, 1000 volts	Elmenco # VCM204D471J	1		
C106	036-059	Capacitor, Paper, 2 ufd, 600 volt		1		
C107	036-059	Same as C106		1		
C108	031-211	Capacitor, Electrolytic, 35 ufd, 25 volt	Sprague # TE1208	1		
C109	030-032	Capacitor, Ceramic Disk, .1 ufd 500 volt	Sprague # 5HK-P1	1		
C110	035-078	Capacitor, Tubular, .1 ufd, 1000 volt	Sprague #196P 104910S9	1	211	299
C110	035-366	Capacitor, Tubular, .47 ufd, 1000 volt		1	300	---
6	65500-11	Capacitor-Rectifier Assembly		1	101	131
6	65500-12	Capacitor-Rectifier Assembly		1	132	325
6	65500-13	Capacitor-Rectifier Assembly		1	326	403
6	65500-14	Capacitor-Rectifier Assembly		1	404	---



PARTS LIST FOR: TRANSPORT ELECTRONICS ASSEMBLY CAT. NO. 65260-1  
 Electronics Power Supply (PS-100)  
 Ampex Part No. 65280-2

REF NO.	AMPEX PART NO.	DESCRIPTION	MFGR REF OR MIL SPEC NO.	QTY ASS'Y	EFFECTIVE	
					ON	THRU
6-1	290-004	Bracket, Capacitor	Mallory #BP-6	2		
6-C101	041-073	Capacitor, Electrolytic 4 x 20 ufd, 450 volt		1		
6-C102	031-073	Same as 6-C101		1		
6-2	65291-11	Chassis, Capacitor-Rectifier		1	211	325
6-2	65291-12	Chassis, Capacitor-Rectifier		1	326	403
6-2	65291-14	Chassis, Capacitor-Rectifier		1	404	---
6-3	130-003	Holder, Fuse	Littelfuse #357002	1	211	403
6-4	130-008	Holder, Rectifier	Littelfuse #W/099063	3	211	403
6-R111	043-120	Resistor, Wirewound 3500 ohm, 10 watt, 5%		1		
6-R115	041-029	Resistor, Carbon 470K ohm, 1/2 watt, 5%	MIL-R-11: RC20GF474J	1	326	403
6-R116	041-029	Same as 6-R115		1	326	403
6-R117	041-029	Same as 6-R115		1	326	403
6-R118	041-029	Same as 6-R115		1	326	403
6-R119	041-029	Same as 6-R115		1	326	403
6-R120	041-029	Same as 6-R115		1	326	403
6-R121	041-029	Same as 6-R115		1	326	403
6-R122	041-029	Same as 6-R115		1	326	403
6-R123	041-029	Same as 6-R115		1	326	403
6-R124	041-029	Same as 6-R115		1	326	403

PARTS LIST FOR: TRANSPORT ELECTRONICS ASSEMBLY CAT. NO.65260-1  
 Electronics Power Supply (PS-100)  
 Ampex Part No. 65280-1, -2

REF NO.	AMPEX PART NO.	DESCRIPTION	MFGR REF OR MIL SPEC NO.	QTY ASS'Y	EFFECTIVE	
					ON	THRU
6-R125	041-029	Same as 6-R115		1	326	403
6-R126	041-029	Same as 6-R115		1	326	403
6-5	460-039	Rivet, Semi-tubular 1/8" x 3/16" Brass W/Nkl Plt	Chgo Rivet AN450C8H6	4	211	403
6-6	460-041	Rivet, Semi-tubular 1/8" x 1/4" Brass W/Nkl Plt	Chgo Rivet	8	211	403
6-TB103	180-014	Terminal Strip, 5 Terminal		1		
7	65501-12	Capacitor-Rectifier Assembly		1		
7-1	290-004	Bracket, Capacitor	Mallory #BP-6	2		
7-C103	031-039	Capacitor, Electrolytic 125 ufd, 450 volt	Sprague P47330	1		
7-C104	031-039	Same as 7-C103		1		
7-2	65294-11	Chassis, Capacitor-Rectifier		1		
7-3	130-008	Holder, Rectifier	Littelfuse #W/099063	6	211	403
7-4	492-010	Nut, #8-32 Plain Hes Stl Cad Plt	MS35649-82	1		
7-R103	041-224	Resistor, Carbon 100K ohm, 2 watt, 10%	MIL-R-11: RC42GF104K	1		
7-R104	041-224	Same as 7-R103		1		
7-R110	040-023	Resistor, Variable 150 ohm, 25 watt	Ohmite #0369	1		
7-5	460-039	Rivet, Semi-tubular 1/8" x 3/16" Brass W/Nkl Plt	Chgo Rivet AN450C8H6	12	211	403
7-6	471-514	Screw, Machine, #8-32 x 2-1/2" Rnd Hd Slotted, Stl Cad Plt		1		

PARTS LIST FOR: TRANSPORT ELECTRONICS ASSEMBLY CAT. NO. 65260-1  
 Electronics Power Supply (PS-100)  
 Ampex Part No. 65280-1, -2

REF NO.	AMPEX PART NO.	DESCRIPTION	MFGR REF OR MIL SPEC NO.	QTY ASS'Y	EFFECTIVE	
					ON	THRU
7-7	506-003	Washer, Centering	Ohmite #6000	2		
7-8	502-004	Washer, #8 Spring Lock Stl Cad Plt	MS35338-42	2		
7-9	502-007	Washer, Mica, 5/16" ID x 9/16" OD	Ohmite #6011	2		
8	65285-20	Chassis Assembly		1	211	228
8	65285-21	Chassis Assembly		1	229	299
8	65285-22	Chassis Assembly		1	300	---
9	65519-11	Chassis Assembly, Regulator		1		
L101	69934-10	Choke, Encapsulated		1		
10	300-051	Clamp, Tube	Augat 150FI-23D	1	211	299
10	300-001	Clamp, Tube	Bircher 926-2	1	300	---
F101	070-019	Fuse, 2 ampere, 125 volt Slow Blow	Littelfuse 313002	1	211	403
F102	070-019	Same as F101		1	211	403
F103	070-004	Fuse, 1 ampere, 125 volt Slow Blow	Littelfuse 313001	1	211	299
F103	070-022	Fuse, 1-1/4 ampere Slow Blow	Littelfuse 3131.25	1	300	403
11	260-005	Grommet, Elastic, 5/16" ID x 5/8" OD 1/4" thk		1		
12	260-007	Grommet, Elastic, 7/16" ID x 15/16" OD x 5/16" thk		2		
13	130-008	Holder, Rectifier	Littelfuse W/099063	1	211	403

PARTS LIST FOR: TRANSPORT ELECTRONICS ASSEMBLY CAT. NO.65260-1  
 Electronics Power Supply (PS-100)  
 Ampex Part No. 65280-1, -2

REF NO.	AMPEX PART NO.	DESCRIPTION	MFGR REF OR MIL SPEC NO.	QTY ASS'Y	EFFECTIVE	
					ON	THRU
14	130-004	Holder, Fuse	Littelfuse 357001	1	131	403
15	15945-10	Insulator, Barrier Strip Mounting		1		
16	148-011	Jacks, Test Point, White Nylon	Cannon:#45E1	2		
17	172-003	Lug, Solder, #6 Int Tooth	Shakeproof 2401-06	1		
18	172-028	Lug, Solder	H. Smith: 1493	2		
19	492-011	Nut, #10-32 Plain Hex, Stl Cad Plt	MS35650-102	14		
20	493-026	Nut, #4-40 Self-Locking, Stl Cad Plt, Nylon Insert	Esna #92-1660-40	6		
CR101	582-049	Rectifier, Selenium	Sarkes- Tarzian #60M	1	211	403
CR102	582-049	Same as CR101		1	101	403
CR103	582-049	Same as CR101		1	101	403
CR104	582-049	Same as CR101		1	101	403
CR105	582-049	Same as CR101		1	101	403
CR106	582-049	Same as CR101		1	101	403
CR107	582-022	Rectifier, Selenium	Sarkes Tarzian #40LA	1	101	403
CR108	582-022	Same as CR107		1	101	403
CR109	582-022	Same as CR107		1	101	403
CR110	582-022	Same as CR107		1	101	403
CR111	582-049	Same as CR101		1	101	403

PARTS LIST FOR: TRANSPORT ELECTRONICS ASSEMBLY CAT. NO. 65260-1  
 Electronics Power Supply (PS-100)  
 Ampex Part No. 65280-1, -2

REF NO.	AMPEX PART NO.	DESCRIPTION	MFGR REF OR MIL SPEC NO.	QTY ASS'Y	EFFECTIVE	
					ON	THRU
CR112	582-049	Same as CR101		1	101	403
CR113	582-049	Same as CR101		1	101	403
CR114	582-049	Same as CR101		1	101	403
CR115	582-049	Same as CR101		1	101	403
CR116	582-049	Same as CR101		1	101	403
CR117	582-049	Same as CR101		1	101	403
CR119	582-049	Same as CR101		1	299	403
CR120	582-049	Same as CR101		1	299	403
K101	020-006	Relay, 3 pdt, 115 vac	Philtrol #338QA	1		
R101	043-128	Resistor, Wirewound 10K ohm, 10 watt, 5%		1		
R102	043-178	Resistor, Wirewound 5000 ohm, 5 watt, 5%	Dalohm Type RS-5	1		
R105	041-224	Resistor, Carbon 100K ohm, 2 watt, 10%	MIL-R-11: RC42GF104K	1		
R106	041-031	Resistor, Carbon 1 Megohm, 1/2 watt, 10%	MIL-R-11: RC20GF105K	1		
R107	043-280	Resistor, Wirewound 50 ohm, 50 watt, 10%	Dalohm #B50	1		
R108	043-280	Same as R107		1		
R109	041-106	Resistor, Carbon 4300 ohm, 1 watt, 10%	MIL-R-11: RC35GF432J	1		
R113	041-536	Resistor, Carbon 200K ohm, 2 watt, 5%	MIL-R-11: RC42GF204J	1		
R114	043-490	Resistor, Wirewound 14K ohm, 7 watt, 5%	Sprague 244E-1435	1	326	---

PARTS LIST FOR: TRANSPORT ELECTRONICS ASSEMBLY CAT. NO. 65260-1  
 Electronics Power Supply (PS-100)  
 Ampex Part No. 65280-1, -2

REF NO.	AMPEX PART NO.	DESCRIPTION	MFGR REF OR MIL SPEC NO.	QTY ASS'Y	EFFECTIVE	
					ON	THRU
R127	041-029	Resistor, Carbon, 470K ohm 1/2 watt, 5%	MIL-R-11: RC20GF474J	1	326	403
R128	041-029	Same as R127		1	326	403
R129	041-029	Same as R127		1	326	403
R130	041-029	Same as R127		1	326	---
21	471-059	Screw, Machine, #4-40 x 3/16" Pan Hd Phillips, Stl Cad Plt	MS35208-11	9		
22	471-060	Screw, Machine, #4-40 x 1/4" Pan Hd Phillips, Stl Cad Plt	MS35208-12	6		
23	471-060	Screw, Machine, #4-40 x 5/16" Pan Hd Phillips, Stl Cad Plt	MS35208-13	6		
24	471-063	Screw, Machine, #4-40 x 7/16" Pan Hd Phillips, Stl Cad Plt	MS35208-15	10		
25	471-068	Screw, Machine, #6-32 x 5/16" Pan Hd Phillips, Stl Cad Plt	MS35208-24	2		
26	471-070	Screw, Machine, #6-32 x 7/16" Pan Hd Phillips, Stl Cad Plt	MS35208-26	2		
27	471-071	Screw, Machine, #6-32 x 1/2" Pan Hd Phillips, Stl Cad Plt	MS35208-27	4		
28	471-078	Screw, Machine, #8-32 x 3/8" Pan Hd Phillips, Stl Cad Plt	MS35208-40	10		

PARTS LIST FOR: TRANSPORT ELECTRONICS ASSEMBLY CAT. NO. 65260-1  
 Electronics Power Supply (PS-100)  
 Ampex Part No. 65280-1, -2

REF NO.	AMPEX PART NO.	DESCRIPTION	MFGR REF OR MIL SPEC NO.	QTY ASSY	EFFECTIVE	
					ON	THRU
29	471-087	Screw, Machine, #10-32x3/8" Pan Hd Phillips, Stl Cad Plt	MS35209-53	6		
30	471-093	Screw, Machine, #10-32 x 1" Pan Hd Phillips, Stl Cad Plt	MS35209-59	2		
31	471-336	Screw, Machine, #6-32 x 3/8" Flat Hd Phillips, Stl Cad Plt	MS35192-25	3		
32	471-448	Screw, Machine, #6-32 x 1-1/4" Pan Hd Phillips, Stl Cad Plt	MS35208-32	1		
33	69931-10	Shaft, Extender		1	211	---
34	160-009	Shield, Can, Min. 7 Pin	JAN:TS102U03	3		
35	150-025	Socket, Tube, Min. 7 Pin	JAN:TS102P01	3		
36	150-094	Socket, Tube, 4 Pin	E. F. Johnson #122-224-100	1		
37	280-003	Spacer, 9/64" ID x 1/4" OD x 1/4" Lg, Brass Cad Plt	H. Smith #2100	4		
S501	122-077	Switch, 5 Pole, 7 Throw	Grayhill: 12005-7 W/ 12C1087	1	211	---
38	173-003	Terminal, Insulated, #6-32	Useco #1417	2		
39	173-041	Terminal, Insulated, #6-32	Cambridge #X1995A	6		
FS101	180-049	Terminal Block, Barrier, 22 Solder Terminals	Kulka:#410- 72-3/4 MRF	1		
TB102	180-082	Terminal Block, Barrier 6 Terminals W/Marker	Jones 6-140-3/4W	1		
TB103	180-014	Terminal Block, 5 Terminals	Jones #5-170	1		
40	65541-1	Terminal Board, Diode/ Rectifier		1	404	---

PARTS LIST FOR: TRANSPORT ELECTRONICS ASSEMBLY CAT. NO. 65260-1  
 Electronics Power Supply (PS-100)  
 Ampex Part No. 65280-1, -2

REF NO.	AMPEX PART NO.	DESCRIPTION	MFGR REF OR MIL SPEC NO.	QTY ASS'Y	EFFECTIVE	
					ON	THRU
40-1	65452-1	Board, Terminal		1		
CR101	013-198	Diode, 1N2071		1		
CR102	013-198	Same as CR101		1		
CR103	013-198	Same as CR101		1		
CR104	013-198	Same as CR101		1		
CR105	013-198	Same as CR101		1		
CR106	013-198	Same as CR101		1		
CR107	013-198	Same as CR101		1		
CR108	013-198	Same as CR101		1		
CR109	013-198	Same as CR101		1		
CR110	013-198	Same as CR101		1		
CR111	013-198	Same as CR101		1		
CR112	013-198	Same as CR101		1		
CR113	013-198	Same as CR101		1		
CR114	013-198	Same as CR101		1		
CR115	013-198	Same as CR101		1		
CR116	013-198	Same as CR101		1		
CR117	013-198	Same as CR101		1		
CR118	013-198	Same as CR101		1		
CR119	013-198	Same as CR101		1		
CR120	013-198	Same as CR101		1		
F101	070-019	Fuse, 2 ampere, 125 volt Slow Blow	Littelfuse 313001	1		



PARTS LIST FOR: TRANSPORT ELECTRONICS ASSEMBLY CAT. NO. 65260-1  
 Electronics Power Supply (PS-100)  
 Ampex Part no. 65280-1, -2

REF NO.	AMPEX PART NO.	DESCRIPTION	MFGR REF OR MIL SPEC NO.	QTY ASS'Y	EFFECTIVE	
					ON	THRU
F102	070-019	Same as F101		1		
F103	070-022	Fuse, 1-1/4 ampere, 3131.25	Littelfuse	1		
R115	041-174	Resistor, fixed composition, 220K ohm, 1 watt, 10%	MIL-R-11: RC32GF224K	1		
R117	041-174	Same as R115		1		
R120	041-174	Same as R115		1		
R122	041-174	Same as R115		1		
R124	041-174	Same as R115		1		
R126	041-174	Same as R115		1		
R128	041-174	Same as R115		1		
R130	041-174	Same as R115		1		
R139	041-174	Same as R115		1		
R140	041-174	Same as R115		1		
R141	041-174	Same as R115		1		
R142	041-174	Same as R115		1		
R143	041-174	Same as R115		1		
R144	041-174	Same as R115		1		
R145	041-174	Same as R115		1		
R146	041-174	Same as R115		1		
R149	041-174	Same as R115		1		
R150	041-174	Same as R115		1		
R151	041-174	Same as R115		1		

PARTS LIST FOR: TRANSPORT ELECTRONICS ASSEMBLY CAT. NO. 65260-1  
 Electronics Power Supply (PS-100)  
 Ampex Part No. 65280-1, -2

REF NO.	AMPEX PART NO.	DESCRIPTION	MFGR REF OR MIL SPEC NO.	QTY ASS'Y	EFFECTIVE	
					ON	THRU
R152	041-174	Same as R115		1		
41	65511-13	Track, Etched Board		2	101	211
41	65511-14	Track, Etched Circuit		2	212	---
42	65531-10	Track, Etched Board Assembly		1	101	103
42	65531-11	Track, Etched Board Assembly		1	101	211
42	65531-12	Track, Etched Board Assembly		1	212	---
T101	65290-10	Transformer, Power (SA-500)		1		
T102	65289-10	Transformer, Power (PS-100)		1		
V101	011-004	Tube, Voltage Regulator, OA2		1		
V102	011-004	Same as V101		1		
V103	011-004	Same as V101		1		
V104	015-013	Tube, Thyatron, C3J		1		
43	501-008	Washer, #4, Flat, Stl Cad Plt	MS15795-204	3		
44	501-009	Washer, #6 Flat, Stl Cad Plt	MS15795-206	1		
45	502-002	Washer, #4 Spring Lock Stl Cad Plt	MS35338-40	15		
46	502-003	Washer, #6 Spring Lock Stl Cad Plt	MS35338-41	11		
47	502-004	Washer, #8 Spring Lock Stl Cad Plt	MS35338-42	10		
48	502-005	Washer, #10 Spring Lock Stl Cad Plt	MS35338-43	6		
49	501-011	Washer, #10 Flat, Stl Cad Plt	MS15795-208	12		

PARTS LIST FOR: TRANSPORT ELECTRONICS ASSEMBLY CAT. NO.65260-1  
 Electronics Power Supply (PS-100)  
 Ampex Part No. 65280-1, -2

REF NO.	AMPEX PART NO.	DESCRIPTION	MFGR REF OR MIL SPEC NO.	QTY ASS'Y	EFFECTIVE	
					ON	THRU
50	502-027	Washer, #10 Int Tooth Lock Stl Cad Plt	MS35333-39	2		
51	502-077	Washer, Int Tooth Lock Stl Nkl Plt	Shakeproof 1214-05	2		

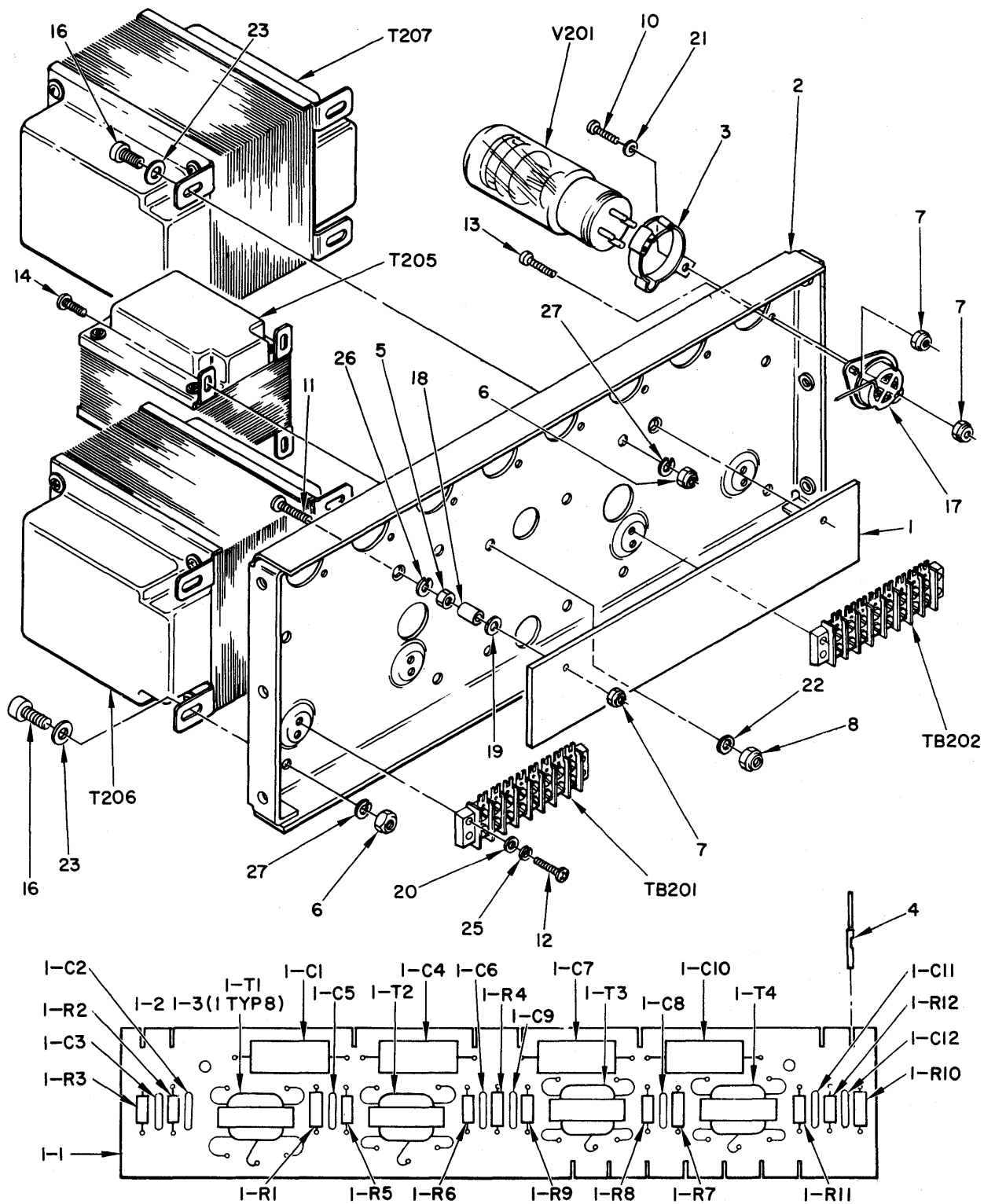


Figure 9-19  
Servo Motor Power Supply PS-200

**PARTS LIST FOR: TRANSPORT ELECTRONICS ASSEMBLY CAT. NO. 65260-1**  
**Electronic Power Supply (PS-200)**  
**Amplex Part No. 65295-10, -11**

REF NO.	AMPEX PART NO.	DESCRIPTION	MFG REF OR MIL SPEC NO.	QTY ASSY	EFFECTIVE	
					ON	THRU
1	65306-10	Bias Assembly		1	108	131
1	65306-11	Bias Assembly		1	132	---
1-C1	035-285	Capacitor, Tubular, .68 ufd, 200 volt	Sprague: #118P68492S4	1		
1-C2	030-002	Capacitor, Disc Ceramic, .01 ufd, 500 Volt	Erie #811.01	1		
1-C3	030-002	Same as 1-C2		1		
1-C4	035-285	Same as 1-C1		1		
1-C5	030-002	Same as 1-C2		1		
1-C6	030-002	Same as 1-C2		1		
1-C7	035-285	Same as 1-C1		1		
1-C8	030-002	Same as 1-C2		1		
1-C9	030-002	Same as 1-C2		1		
1-C10	035-285	Same as 1-C1		1		
1-C11	030-002	Same as 1-C2		1		
1-C12	030-002	Same as 1-C2		1		
1-1	65299-12	Card, Etched Circuit		1	101	131
1-1	65299-13	Card, Etched Circuit		1	132	---
1-2	492-032	Nut, #4-40 Plain Hex, Small Pattern, Stl Cad Plt		8	101	131
1-2	493-018	Nut, Self-Locking Hex, Nylon Insert, #4-40, Brass Cad Plt	Esna #92-1660-40	8	132	---
1-R1	043-471	Resistor, Wirewound 4700 ohm, 3 watt 3%	Dalohm: RLS-2B	1		

PARTS LIST FOR: TRANSPORT ELECTRONICS ASSEMBLY CAT. NO. 65260-1  
 Electronic Power Supply (PS-200)  
 Ampex Part No. 65295-10, -11

REF NO.	AMPEX PART NO.	DESCRIPTION	MFGR REF OR MIL SPEC NO.	QTY ASS'Y	EFFECTIVE	
					ON	THRU
1-R2	041-076	Resistor, Carbon, 220K ohm, 1/2 watt, 10%	MIL-R-11: RC20GF223K	1		
1-R3	041-076	Same as 1-R2		1		
1-R4	043-471	Same as 1-R1		1		
1-R5	041-076	Same as 1-R2		1		
1-R6	041-076	Same as 1-R2		1		
1-R7	043-471	Same as 1-R1		1		
1-R8	041-076	Same as 1-R2		1		
1-R9	041-076	Same as 1-R2		1		
1-R10	043-471	Same as 1-R1		1		
1-R11	041-076	Same as 1-R2		1		
1-R12	041-076	Same as 1-R2		1		
1-T1	65518-10	Transformer, Bias		1		
1-T2	65518-10	Same as 1-T1		1		
1-T3	65518-10	Same as 1-T1		1		
1-T4	65518-10	Same as 1-T1		1		
1-3	502-090	Washer, #4 Spring Lock, Alloy Stl Cad Plt	ASA: #27.1	8		
2	65298-11	Chassis, PS-200		1	101	131
2	65298-12	Chassis, PS-200		1	132	---
3	300-001	Clamp, Tube Hold-Down	Birtcher #926C-2	8		
4	171-024	Connector, Solderless	AMP#42263-2	15		

PARTS LIST FOR: TRANSPORT ELECTRONICS ASSEMBLY CAT. NO. 65260-1  
 Electronic Power Supply (PS-200)  
 Ampex Part No. 65295-10, -11

REF NO.	AMPEX PART NO.	DESCRIPTION	MFGR REF OR MIL SPEC NO.	QTY ASS'Y	EFFECTIVE	
					ON	THRU
5	492-009	Nut, #6-32 Plain Hex, Stl Cad Plt	MS35649-62	2		
6	492-012	Nut, 1/4-20 Plain Hex, Stl Cad Plt	MS35690-402	8		
7	493-015	Nut, #6-32 Self-Locking Stl Cad Plt, Nylon Insert	Esna Type NM	18	132	---
8	493-008	Nut, #10-32 Self-Locking Stl Cad Plt, Nylon Insert	Esna Type NM	4		
9	493-012	Nut, 1/4-20 Self-Locking Stl Cad Plt, Nylon Insert	Esna Type E	2	101	131
10	471-069	Screw, Machine, #6-32 x 3/8" Pan Hd Phillips, Stl Cad Plt	MS35208-25	8		
11	471-872	Screw, Machine, #6-32 x 1" Flat Hd Slotted, Stl Cad Plt	Per ASA	2		
12	471-063	Screw, Machine, #4-40 x 7/16" lg Pan Hd Phillips, Stl Cad Plt	MS35208-15	8	101	131
12	471-064	Screw, Machine, #4-40 x 1/2" lg Pan Hd Phillips, Stl Cad Plt	MS35208-16	8	132	---
13	471-071	Screw, Machine, #6-32 x 1/2" lg Pan Hd Phillips, Stl Cad Plt	MS35208-27	8		
14	471-071	Screw, Machine, #6-32 x 1/2" lg Pan Hd Phillips, Stl Cad Plt	MS35208-27	4	101	131
14	471-088	Screw, Machine, #10-32 x 7/16" lg Pan Hd Phillips, Stl Cad Plt	MS35209-54	4	132	---
15	470-045	Screw, Socket Head Cap, 1/4" -20 x 1/2" Stl C d Plt	MS35457-38	2	101	
				8	132	---
16	470-050	Screw, Socket Hd Cap, 1/4" -20 x 1-1/4" lg, Stl Cad Plt	MS35457-38	2	101	131

PARTS LIST FOR: TRANSPORT ELECTRONICS ASSEMBLY CAT. NO. 65260-1  
 Electronic Power Supply (PS-200)  
 Ampex Part No. 65295-10, -11

REF NO.	AMPEX PART NO.	DESCRIPTION	MFR REF OR MIL SPEC NO.	QTY ASS'Y	EFFECTIVE	
					ON	THRU
17	150-058	Socket, Tube, 4 Pin	Millen #33004	8		
18	280-028	Spacer, 8/32" ID x 5/16" OD x 11/32" lg	United-Carr Fastener S552306	2	101	131
18	280-006	Spacer, 9/64" ID x 1/4" OD;x 3/8" lg, Brs Cad Plt	H.H. Smith #2101	2	132	---
TB201	180-051	Terminal Strip, Barrier Type, 8 Terminals, w/Marker Strip	Jones #8-140-3/4	1		
TB202	180-051	Same as TB201		1		
T205	60367-01	Transformer, Filament		1		
T206	60369-01	Transformer, Anode		1	101	131
T206	69348-10	Transformer, Anode		1	132	---
T207	60369-01	Same as T206		1	101	131
T207	69348-10	Same as T206		1	132	---
V201	015-012	Tube, Thyatron, C1K		1		
V202	015-012	Same as V201		1		
V203	015-012	Same as V201		1		
V204	015-012	Same as V201		1		
V205	015-012	Same as V201		1		
V206	015-012	Same as V201		1		
V207	015-012	Same as V201		1		
V208	015-012	Same as V201		1		
19	503-035	Washer, Fibre, .140 ID x 5/16" OD x 1/32 thk	Walsco: #7836	2		
20	501-008	Washer, #4 Flat, Stl Cad Plt	MS15795-204	8		



PARTS LIST FOR: TRANSPORT ELECTRONICS ASSEMBLY CAT. NO. 65260-1  
 Electronic Power Supply (PS-200)  
 Ampex Part No. 65295-10, -11

REF NO.	AMPEX PART NO.	DESCRIPTION	MFGR REF OR MIL SPEC NO.	QTY ASS'Y	EFFECTIVE	
					ON	THRU
21	501-009	Washer, #6 Flat, Stl Cad Plt	MS15795-206	8		
22	501-011	Washer, #10 Flat, Stl Cad Plt	MS15795-208	4		
23	501-012	Washer, 1/4" Flat, Stl Cad Plt	An960-416	8		
24	60186-01	Washer, Linen Phenolic		2	101	131
25	502-002	Washer, #4 Spring Lock, Stl Cad Plt	MS35338-40	8		
26	502-003	Washer, #6 Spring Lock, Stl Cad Plt	MS35338-41	2		
27	502-006	Washer, 1/4" Spring Lock, Stl Cad Plt	MS35338-44	8		

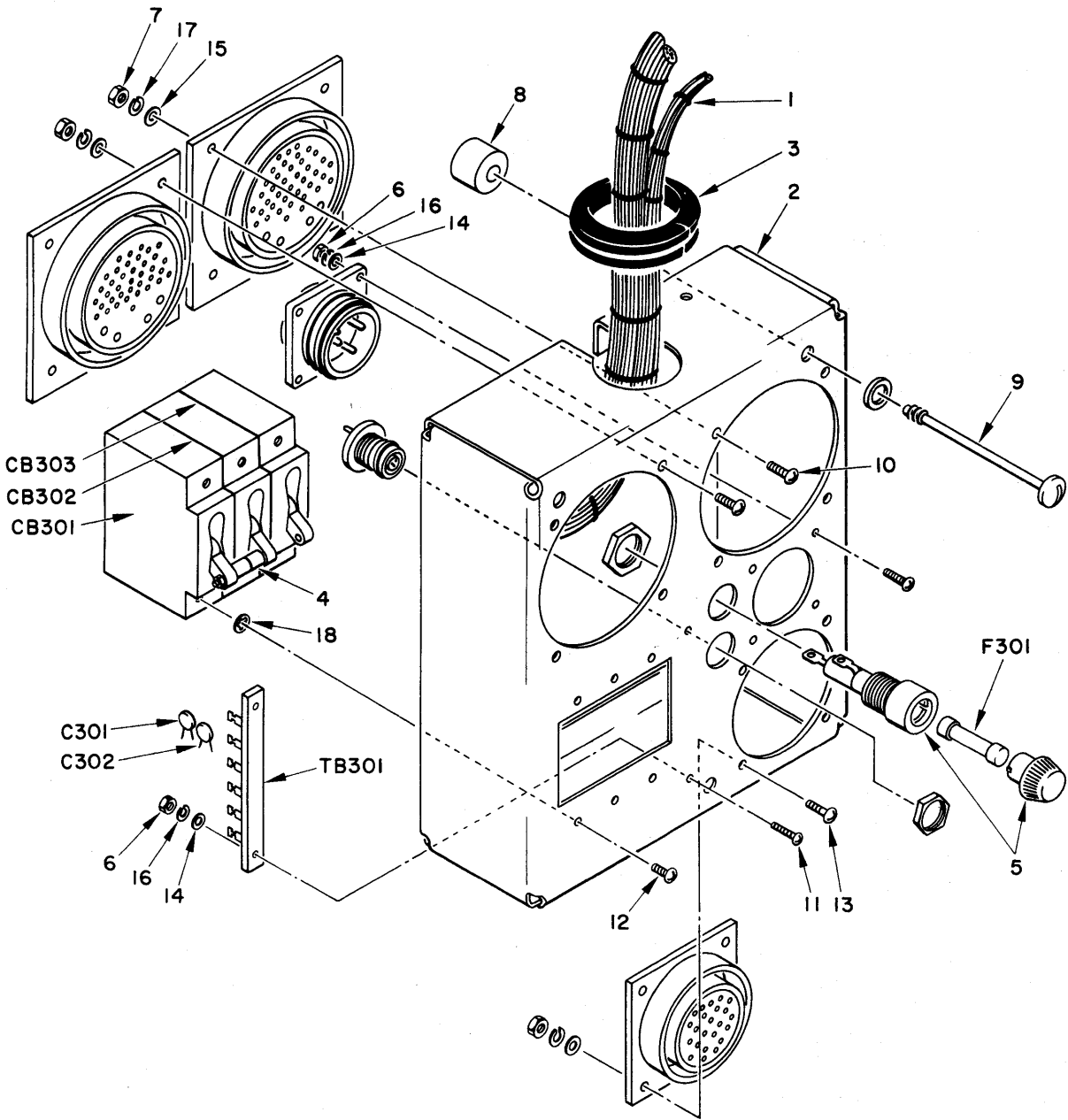


Figure 9-20  
 Connector Chassis CC-300  
 Sheet 1 of 2

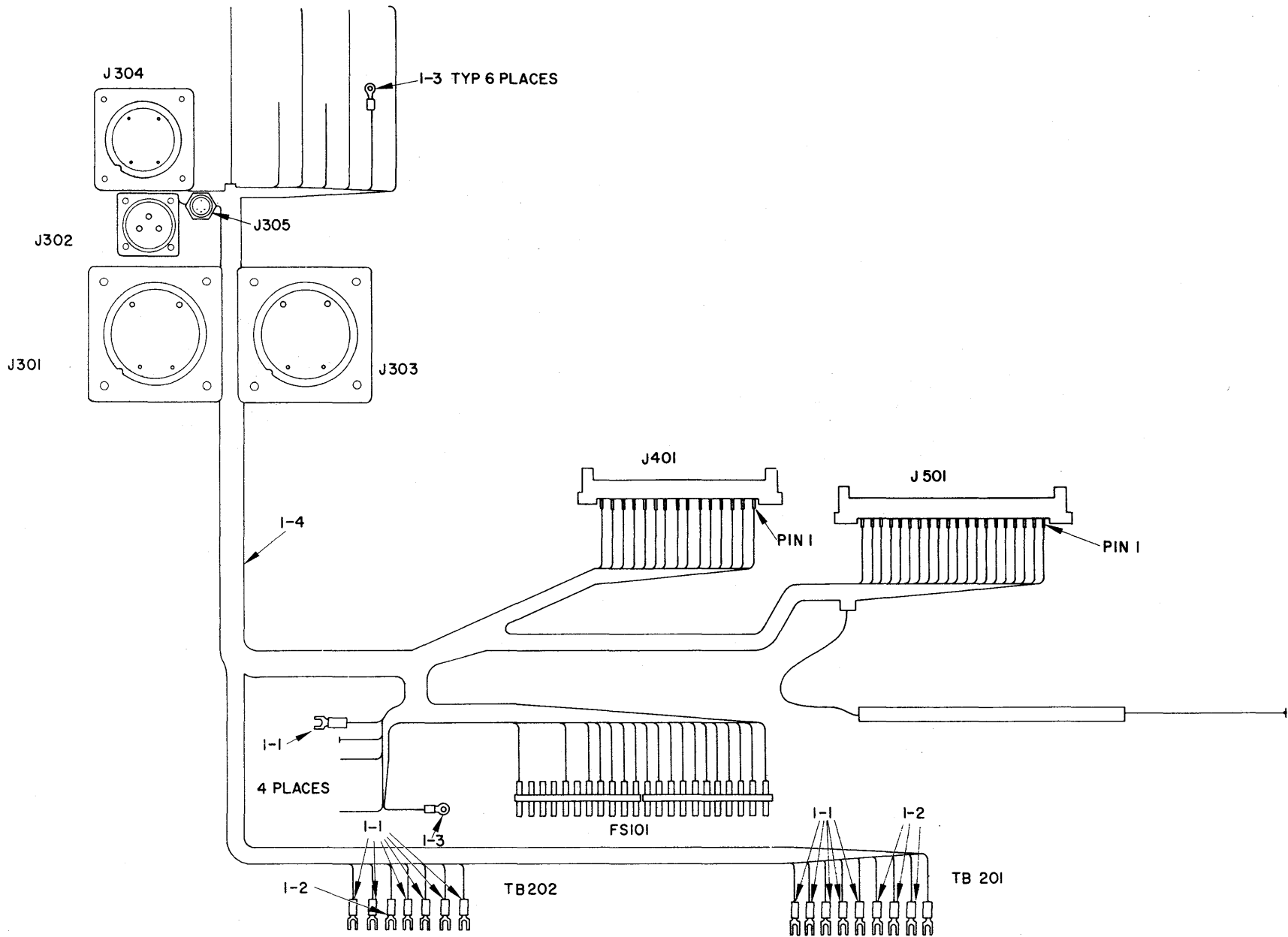


Figure 9-20  
 Connector Chassis CC-300  
 Sheet 2 of 2

## PARTS LIST FOR: TRANSPORT ELECTRONICS ASSEMBLY

CAT. NO. 65260-1

Chassis Assembly (CC-300)

Amplex Part No. 65300-12, -13

REF NO.	AMPEX PART NO.	DESCRIPTION	MFGR REF OR MIL SPEC NO.	QTY ASS'Y	EFFECTIVE	
					ON	THRU
1	65302-11	Cable Assembly		1	101	131
1	65302-12	Cable Assembly		1	132	--
1-J401	168-008	Connector, PC Board	Elco #5005-15-13-3-5-3/32	1		
1-J501	168-009	Connector, PC Board	Elco #5006-20-13-3-5-1/16	1		
1-1	171-066	Connector, Solderless, Red, Spade Lug	Burndy, #SE18-Z2	15		
1-2	171-065	Connector, Solderless, Blue, Spade Lug	Burndy, #SE14-Z2	6		
1-3	171-007	Connector, Solderless, Ring Tongue	Amp. #31900	11		
1-J301	146-141	Connector, Receptacle, 53 Contact, Female	Cannon #RLK-A53-31SL	1		
1-J303	146-142	Connector, Receptacle, 50 Contact, Female	Cannon #RLK-A50-31SL	1		
1-J305	146-042	Connector, Receptacle, 3 Contact, Female	Cannon #MC-14E-8-35N	1		
1-J304	146-143	Connector, Receptacle, 37 Contact, Female	Cannon #RFK-37-31SL	1		
1-J302	147-105	Connector, Receptacle, 3 Contact, Male	Cannon #GK-S3-32S	1		
1-FS101	18881-11	Fanning Strip		2		
1-4	65303-13	Harness Assembly		1		
C301	030-129	Capacitor, Disk Ceramic, .01 ufd, 1000 volt (-13 version)	Cornell-Dubilier BYA10S1M	1		
C301		Capacitor, Disk Ceramic .03 ufd, 500 volt (-12 version)		1		

## PARTS LIST FOR: TRANSPORT ELECTRONICS ASSEMBLY

CAT. NO. 65260-1

Chassis Assembly (CC-300)

Amplex Part No. 65300-12, -13

REF NO.	AMPEX PART NO.	DESCRIPTION	MFR REF OR MIL SPEC NO.	QTY ASS'Y	EFFECTIVE	
					ON	THRU
C302	030-129	Same as C301		1		
2	65308-13	Chassis, Connector Unit		1		
CB301	126-016	Circuit Breaker, 25 ampere, 115 volt, 60 cps, Curve 4	Heinemann #AM-12	1		
CB302	126-016	Same as CB301		1		
CB303	126-023	Circuit Breaker, 7 ampere, 115 volt, 60 cps, Curve 4	Heinemann #AM-12	1		
F301	070-008	Fuse, 3AG, 6 ampere, 250 volt (-13 version)	Littelfuse #321006	1		
F301	070-019	Fuse, 2 ampere, Slow-Blow (-12 version only)		1		
3	260-018	Grommet, Elastic, 1-1/4" ID x 1-7/8" OD x 3/8" thk		1		
4	126-012	Handle Kit	Heinemann #9-0180-54	1		
5	130-013	Holder, Fuse	Buss #HKP	1		
6	492-008	Nut, #4-40 Plain Hex, Stl Cad Plt	MS35649-42	6		
7	492-009	Nut, #6-32 Plain Hex, Stl Cad Plt	MS35649-62	12		
8	503-042	Ring, Retainer, Screw, Fastener	Southco #17-10014-11	3		
9	310-066	Screw, Fastener	Southco #12-99-156-11	3		
10	471-062	Screw, Machine, #4-40 x 3/8" Pan Hd Phillips, Stl Cad Plt	MS35208-14	4		
11	471-063	Screw, Machine, #4-40 x 7/16" Pan Hd Phillips, Stl Cad Plt	MS35208-15	2		
12	471-066	Screw, Machine, #6-32 x 3/16" Pan Hd Phillips, Stl Cad Plt	MS35208-22	6		

PARTS LIST FOR: TRANSPORT ELECTRONICS ASSEMBLY  
 Chassis Assembly (CC-300)  
 Ampex Part No. 65300-12, -13

CAT. NO. 65260-1

REF NO.	AMPEX PART NO.	DESCRIPTION	MFR REF OR MIL SPEC NO.	QTY ASS'Y	EFFECTIVE	
					ON	THRU
13	471-069	Screw, Machine, #6-32 x 3/8" Pan Hd Phillips, Stl Cad Plt	MS35208-25	12		
TB301	180-082	Terminal Strip, Barrier Type, 6 Terminals, w/Marker Strip	Jones #6-140-3/4W	1		
14	501-008	Washer, #4 Flat, Stl Cad Plt	MS15795-204	6		
15	501-009	Washer, #6 Flat, Stl Cad Plt	MS15795-206	12		
16	502-002	Washer, #4 Spring Lock, Stl Cad Plt	MS35338-40	6		
17	502-003	Washer, #6 Spring Lock, Stl Cad Plt	MS35338-41	12		
18	502-025	Washer, #6 Int Tooth Lock, Stl Cad Plt	MS35333-37	6		

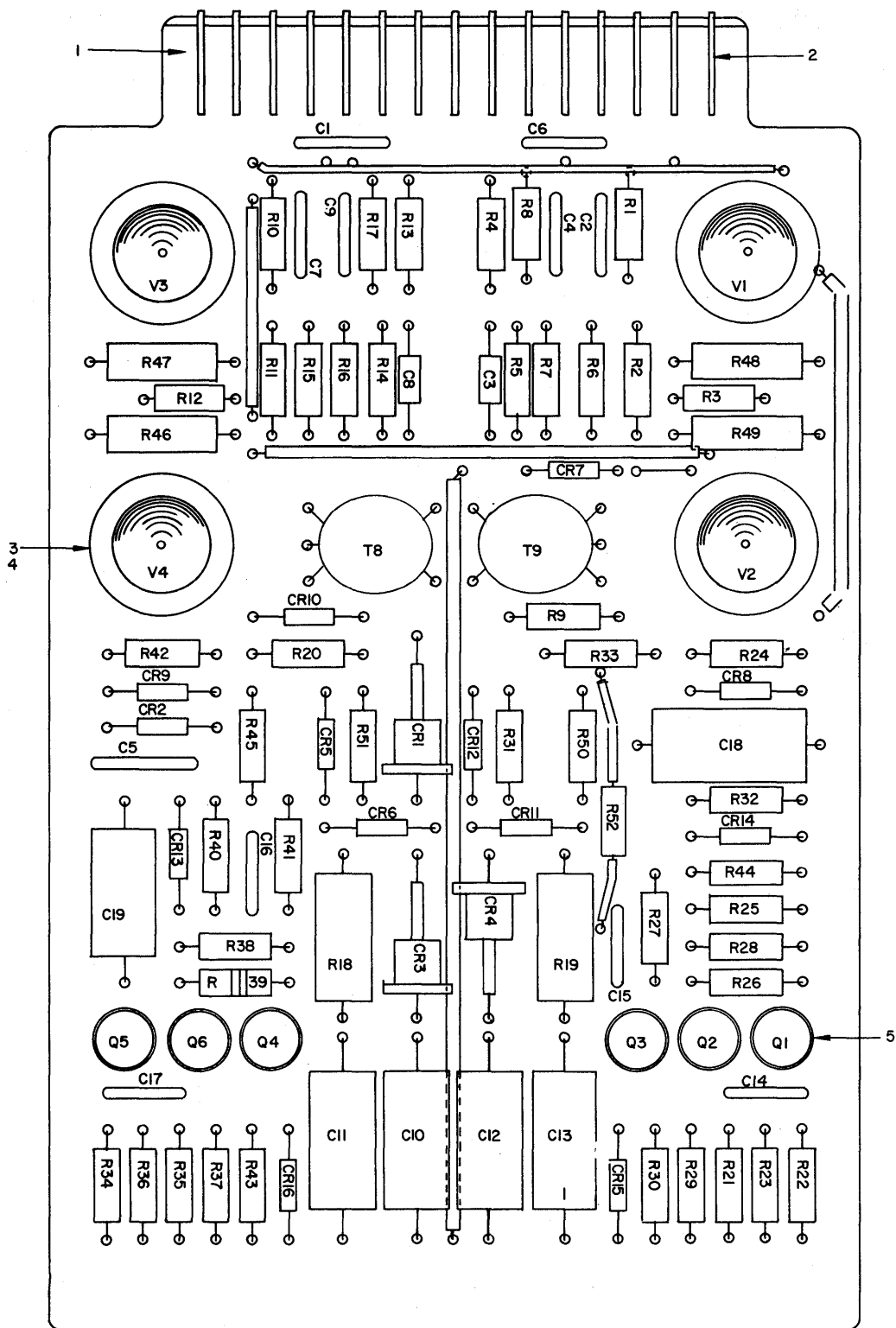


Figure 9-21  
Actuator Control Unit AC-400

PARTS LIST FOR: TRANSPORT ELECTRONICS ASSEMBLY  
 Actuator Control Unit Assembly (AC-400)  
 Ampex Part No. 65310-11, -12, -13

CAT. NO. 65260-1

REF NO.	AMPEX PART NO.	DESCRIPTION	MFGR REF OR MIL SPEC NO.	QTY ASS'Y	EFFECTIVE	
					ON	THRU
C401	030-004	Capacitor, Disk Ceramic, 2 x .001 ufd, 500 volt		1		
C402	030-043	Capacitor, Disk Ceramic, .0022 ufd, 500 volt		1		
C403	037-043	Capacitor, Tantalum, .47 ufd, 35 volt		1		
C404	030-043	Same as C402		1		
C405	030-002	Capacitor, Disk Ceramic, .01 ufd, 500 volt		1		
C406	030-004	Same as C401		1		
C407	030-043	Same as C402		1		
C408	037-043	Same as C403		1		
C409	030-043	Same as C402		1		
C410	037-110	Capacitor, Tantalum, 100 ufd, 30 volt		1		
C411	037-110	Same as C410		1		
C412	037-110	Same as C410		1		
C413	037-110	Same as C410		1		
C414	030-095	Capacitor, Disk Ceramic, .1 ufd, 25 volt		1		
C415	030-098	Capacitor, Disk Ceramic, .2 ufd, 25 volt		1	101	131
C415	030-094	Capacitor, Plate Ceramic, .75 ufd, 25 volt		1	132	--
C416	030-098	Same as C415		1	101	131
C416	030-094	Same as C415		1	132	--



**PARTS LIST FOR: TRANSPORT ELECTRONICS ASSEMBLY**  
**Actuator Control Unit Assembly (AC-400)**  
**Ampex Part No. 65310-11, -12, -13**

**CAT. NO. 65260-1**

REF NO.	AMPEX PART NO.	DESCRIPTION	MFGR REF OR MIL SPEC NO.	QTY ASS'Y	EFFECTIVE	
					ON	THRU
C417	030-095	Same as C414		1		
C418	031-129	Capacitor, Electrolytic, 20 ufd, 50 volt		1		
C419	031-135	Capacitor, Electrolytic, 30 ufd, 15 volt		1		
1	65312-10	Card, Printed Circuit		1		
2	168-007	Contact, Printed Circuit	Elco #5001. 1913	15		
CR401	013-050	Diode, Crystal, 1N537		1		
CR402	013-162	Diode, Zener, 15 volt, 1N718A		1		
CR403	013-050	Same as CR401		1		
CR404	013-050	Same as CR401		1		
CR405	013-041	Diode, Silicon, SG22		1	101	170
CR405	013-151	Diode, Silicon, DR482		1	171	--
CR406	013-041	Same as CR405		1	101	170
CR406	013-051	Same as CR405		1	171	--
CR407	013-041	Same as CR405		1	101	170
CR407	013-051	Same as CR405		1	171	--
CR408	013-041	Same as CR405		1	101	170
CR408	013-051	Same as CR405		1	171	--
CR409	013-041	Same as CR405		1	101	170
CR409	013-041	Same as CR405		1	171	--
CR410	013-041	Same as CR405		1	101	170
CR410	013-051	Same as CR405		1	171	--
CR411	013-041	Same as CR405		1	101	170
CR411	013-051	Same as CR405		1	171	--
CR412	013-041	Same as CR405		1	101	170
CR412	013-051	Same as CR405		1	171	--

PARTS LIST FOR: TRANSPORT ELECTRONICS ASSEMBLY  
 Actuator Control Unit Assembly (AC-400)  
 Ampex Part No. 65310-11, -12, -13

CAT. NO. 65260-1

REF NO.	AMPEX PART NO.	DESCRIPTION	MFGR REF OR MIL SPEC NO.	QTY ASS'Y	EFFECTIVE	
					ON	THRU
CR413	013-041	Same as CR405		1	101	170
CR413	013-051	Same as CR405		1	171	--
CR414	013-041	Same as CR405		1	101	170
CR414	013-051	Same as CR405		1	171	--
CR415	013-162	Same as CR402		1		
CR416	013-102	Diode, Zener, 12 volt, 1N716A		1		
R401	041-089	Resistor, Carbon, 4.7 Megohm, 1/2 watt, 10%	MIL-R-11: RC20GF475K	1		
R402	041-065	Resistor, Carbon, 27K ohm, 1/2 watt, 10%	MIL-R-11: RC20GF273K	1		
R403	041-072	Resistor, Carbon, 100K ohm, 1/2 watt, 10%	MIL-R-11: RC20GF104K	1		
R404	041-038	Resistor, Carbon, 100 ohm, 1/2 watt, 10%	MIL-R-11: RC20GF101K	1		
R405	041-064	Resistor, Carbon, 22K ohm, 1/2 watt, 10%	MIL-R-11: RC20GF223K	1		
R406	041-065	Same as R402		1		
R407	041-072	Same as R403		1		
R408	041-089	Same as R401		1		
R409	041-063	Resistor, Carbon, 18K ohm, 1/2 watt, 10%	MIL-R-11: RC20GF183K	1		
R410	041-089	Same as R401		1		
R411	041-065	Same as R402		1		
R412	041-072	Same as R403		1		
R413	041-038	Same as R404		1		
R414	041-064	Same as R405		1		

PARTS LIST FOR: TRANSPORT ELECTRONICS ASSEMBLY  
 Actuator Control Unit Assembly (AC-400)  
 Ampex Part No. 65310-11, -12, -13

CAT. NO. 65260-1

REF NO.	AMPEX PART NO.	DESCRIPTION	MFGR REF OR MIL SPEC NO.	QTY ASSY	EFFECTIVE	
					ON	THRU
R415	041-065	Same as R402		1		
R416	041-072	Same as R403		1		
R417	041-089	Same as R401		1		
R418	041-527	Resistor, Carbon, 390 ohm, 2 watt, 10%	MIL-R-11: RC42GF391K	1		
R419	041-199	Resistor, Carbon, 470 ohm, 2 watt, 10%	MIL-R-11: RC42GF471K	1		
R420	041-052	Resistor, Carbon, 2200 ohm, 1/2 watt, 10%	MIL-R-11: RC20GF222K	1		
R421	041-001	Resistor, Carbon, 5100 ohm, 1/2 watt, 5%	MIL-R-11: RC20GF512J	1		
R422	041-056	Resistor, Carbon, 4700 ohm, 1/2 watt, 10%	MIL-R-11: RC20GF472K	1		
R423	041-052	Same as R420		1		
R424	041-031	Resistor, Carbon, 1 Megohm, 1/2 watt, 10%	MIL-R-11: RC20GF105K	1		
R425	041-052	Same as R420		1		
R426	041-063	Same as R409		1		
R427	041-052	Same as R420		1		
R428	041-058	Resistor, Carbon, 6800 ohm, 1/2 watt, 10%	MIL-R-11: RC20GF682K	1		
R429	041-038	Same as R404		1		
R430	041-052	Same as R420		1		
R431	041-054	Resistor, Carbon, 3300 ohm, 1/2 watt, 10%	MIL-R-11: RC20GF332K	1		
R432	041-044	Resistor, Carbon, 470 ohm, 1/2 watt, 10%	MIL-R-11: RC20GF471K	1		

PARTS LIST FOR: TRANSPORT ELECTRONICS ASSEMBLY  
 Actuator Control Unit Assembly (AC-400)  
 Ampex Part No. 65310-11, -12, -13

CAT. NO. 65260-1

REF NO.	AMPEX PART NO.	DESCRIPTION	MFGR REF OR MIL SPEC NO.	QTY ASS'Y	EFFECTIVE	
					ON	THRU
R433	041-052	Same as R420		1		
R434	041-056	Same as R422		1		
R435	041-001	Same as R421		1		
R436	041-052	Same as R420		1		
R437	041-038	Same as R404		1		
R438	041-058	Same as R428		1		
R439	041-063	Same as R409		1		
R440	041-052	Same as R420		1		
R441	041-052	Same as R420		1		
R442	041-031	Same as R424		1		
R443	041-052	Same as R420		1		
R444	041-041	Resistor, Carbon, 270 ohm, 1/2 watt, 10%	MIL-R-11: RC20GF271K	1		
R445	041-054	Same as R431		1		
R446	041-091	Resistor, Carbon, 4.7 ohm, 1 watt, 10%		1		
R447	041-091	Same as R446		1		
R448	041-091	Same as R446		1		
R449	041-091	Same as R446		1		
R450	041-058	Same as R428		1		
R451	041-058	Same as R428		1		
R452	041-351	Resistor, Carbon, 15 ohm, 1/2 watt, 10%	MIL-R-11: RC20GF150K	1		
3	160-007	Shield Can, Min. 7 Pin	JAN:102U02	4		

**PARTS LIST FOR: TRANSPORT ELECTRONICS ASSEMBLY**  
**Actuator Control Unit Assembly (AC-400)**  
**Ampex Part No. 65310-11, -12, -13**

**CAT. NO. 65260-1**

REF NO.	AMPEX PART NO.	DESCRIPTION	MFGR REF OR MIL SPEC NO.	QTY ASS'Y	EFFECTIVE	
					ON	THRU
4	150-097	Socket, Tube, Miniature, Printed Circuit Board	Cinch #53P24234	4		
5	280-030	Spacer, Transistor	Milton Ross #10012	6		
T408	63032-10	Transformer, Pulse		1		
T409	63032-10	Same as T408		1		
Q401	014-007	Transistor, 2N438 (-12 version)		1		
Q402	014-007	Same as Q401		1		
Q403	014-007	Same as Q401		1		
Q404	014-007	Same as Q401		1		
Q405	014-007	Same as Q401		1		
Q406	014-007	Same as Q401		1		
V401	012-136	Tube, Thyatron, 5727		1		
V402	012-136	Same as V401		1		
V403	012-136	Same as V401		1		
V404	012-136	Same as V401		1		

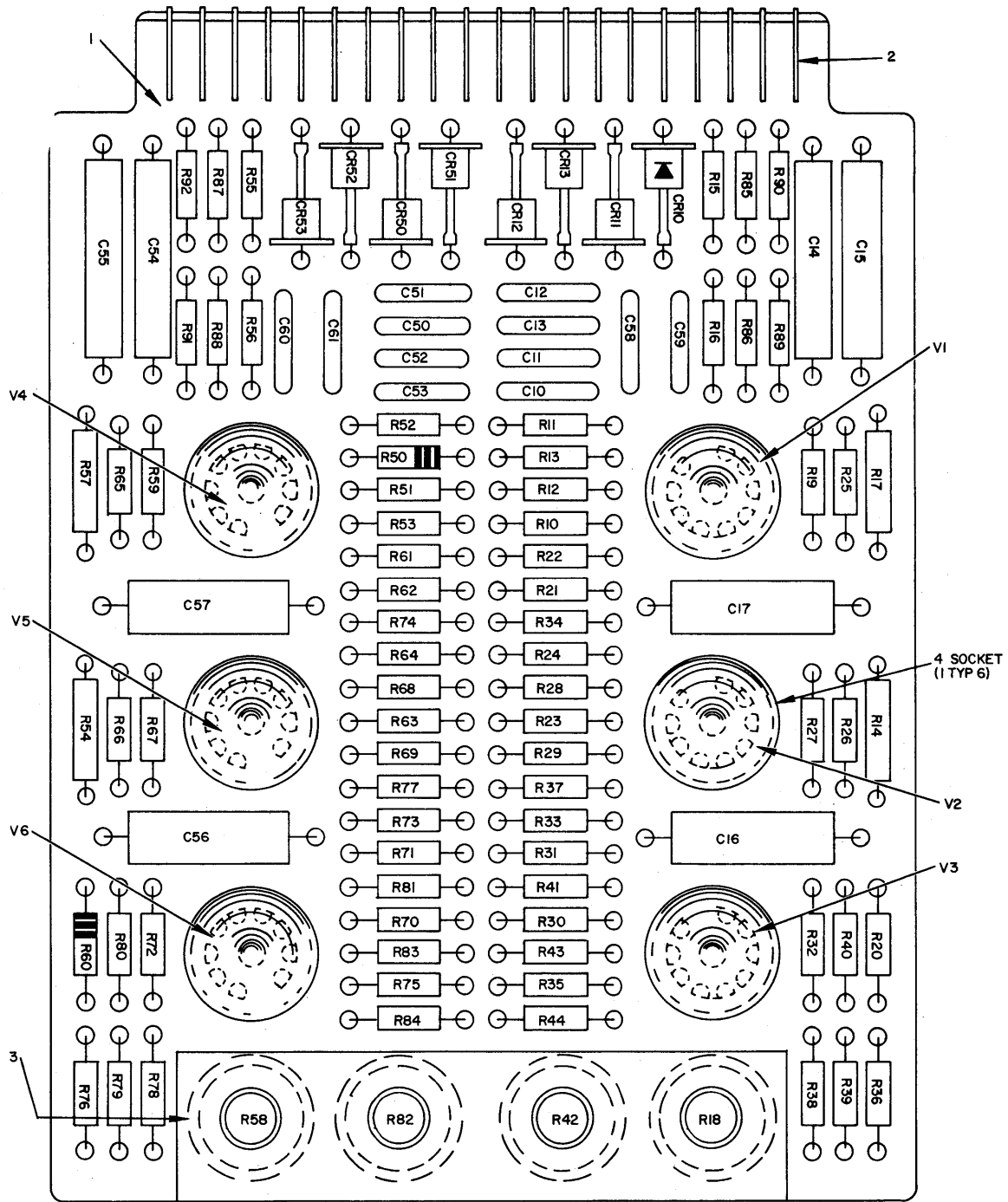


Figure 9-22  
Servo Amplifier SA-500

PARTS LIST FOR: TRANSPORT ELECTRONICS ASSEMBLY CAT. NO. 65260-1  
 Servo Amplifier (SA-500)  
 Ampex Part No. 65315-11

REF NO.	AMPEX PART NO.	DESCRIPTION	MFGR REF OR MIL SPEC NO.	QTY ASS'Y	EFFECTIVE	
					ON	THRU
C10	030-044	Capacitor, Disc Ceramic, .1 ufd, 75 volt	Centralab #DDA-104	1		
C11	030-044	Same as C10		1		
C12	030-044	Same as C10		1		
C13	030-044	Same as C10		1		
C14	035-337	Capacitor, Tubular, Mylar, .22 ufd, 150 volt	Gudeman #338Y224J	1		
C15	035-337	Same as C14		1		
C16	035-315	Capacitor, Tubular, Mylar, .15 ufd, 150 volt	Gudeman #337Y154J	1		
C17	035-315	Same as C16		1		
C50	030-044	Same as C10		1		
C51	030-044	Same as C10		1		
C52	030-044	Same as C10		1		
C53	030-044	Same as C10		1		
C54	035-337	Same as C14		1		
C55	035-337	Same as C14		1		
C56	035-315	Same as C16		1		
C57	035-315	Same as C16		1		
C58	030-059	Capacitor, Disc Ceramic, .02 ufd, 500 volt	Sprague #36C205	1		
C59	030-059	Same as C58		1		
C60	030-059	Same as C58		1		
C61	030-059	Same as C58		1		

PARTS LIST FOR: TRANSPORT ELECTRONICS ASSEMBLY  
 Servo Amplifier (SA-500)  
 Ampex Part No. 69315-11

CAT. NO. 65260-1

REF NO.	AMPEX PART NO.	DESCRIPTION	MFGR REF OR MIL SPEC NO.	QTY ASS'Y	EFFECTIVE	
					ON	THRU
1	65317-10	Card, Etched Circuit		1		
2	168-007	Contact, Printed Circuit	Elco #5001. 19/3	20		
CR10	013-015	Diode, Crystal, 1N91		1		
CR11	013-015	Same as CR10		1		
CR12	013-015	Same as CR10		1		
CR13	013-015	Same as CR10		1		
CR50	013-015	Same as CR10		1		
CR51	013-015	Same as CR10		1		
CR52	013-015	Same as CR10		1		
CR53	013-015	Same as CR10		1		
R10	041-025	Resistor, Carbon, 150K ohm, 1/2 watt, 5%	MIL-R-11: RC20GF154J	1		
R11	041-025	Same as R10		1		
R12	041-025	Same as R10		1		
R13	041-025	Same as R10		1		
R14	042-148	Resistor, Carbon Film, 3.3 Megohm, 1 watt, 5%	MIL-R-10509- RN25x3304F	1		
R15	042-141	Resistor, Carbon Film, 100K ohm, 1/2 watt, 1%	MIL-R-10509: RN15x1003F	1		
R16	042-141	Same as R15		1		
R17	042-148	Same as R14		1		
R18	044-284	Resistor, Variable, 100K ohm, 1/2 watt	Allen-Brad. #TSRU1041	1		



PARTS LIST FOR: TRANSPORT ELECTRONICS ASSEMBLY CAT. NO. 65260-1  
 Servo Amplifier (SA-500)  
 Ampex Part No. 65315-11

REF NO.	AMPEX PART NO.	DESCRIPTION	MFGR REF OR MIL SPEC NO.	QTY ASS'Y	EFFECTIVE	
					ON	THRU
R19	041-321	Resistor, Carbon, 200K ohm, 1/2 watt, 5%	MIL-R-11: RC20GF204J	1		
R20	041-321	Same as R19		1		
R21	041-025	Same as R10		1		
R22	042-268	Resistor, Carbon Film, 1/2 Megohm, 1/2 watt, 1%	MIL-R-10509 RN15X3303F	1		
R23	042-268	Same as R22		1		
R24	042-268	Same as R22		1		
R25	042-268	Same as R22		1		
R26	041-374	Resistor, Carbon, 240K ohm, 1/2 watt, 5%	MIL-R-11: RC20GF244J	1		
R27	041-374	Same as R26		1		
R28	041-025	Same as R10		1		
R29	042-268	Same as R22		1		
R30	042-268	Same as R22		1		
R31	042-268	Same as R22		1		
R32	042-268	Same as R22		1		
R33	041-254	Resistor, Carbon, 15K ohm, 1/2 watt, 5%	MIL-R-11: RC20GF153J	1		
R34	041-254	Same as R33		1		
R35	042-156	Resistor, Carbon, Film, 47K ohm, 1/2 watt, 1%	MIL-R-10509 RN15x4702F	1		
R36	042-156	Same as R35		1		
R37	042-269	Resistor, Carbon Film, 330K ohm, 1/2 watt, 1%	MIL-R-10509 RC15x3303F	1		

## PARTS LIST FOR: TRANSPORT ELECTRONICS ASSEMBLY

CAT. NO. 65260-1

Servo Amplifier (SA-500)

Amplex Part No. 65315-11

REF NO.	AMPEX PART NO.	DESCRIPTION	MFGR REF OR MIL SPEC NO.	QTY ASS'Y	EFFECTIVE	
					ON	THRU
R38	042-156	Same as R35		1		
R39	042-156	Same as R35		1		
R40	042-269	Same as R37		1		
R41	041-002	Resistor, Carbon, 10K ohm, 1/2 watt, 5%	MIL-R-11: RC20GF100J	1	101	149
R41	041-020	Resistor, Carbon, 47K ohm, 1/2 watt, 5%	MIL-R-11: RC20GF473J	1	150	---
R42	044-284	Same as R18		1	101	149
R42	044-315	Resistor, Variable, 25K ohm, 1/2 watt	Allen-Bradley #TSRU2531	1	150	---
R43	042-137	Resistor, Carbon Film, 150K ohm, 1/2 watt, 1%	MIL-R-10509: RN15X1503F	1		
R44	042-137	Same as R43		1		
R50	041-025	Same as R10		1		
R51	041-025	Same as R10		1		
R52	041-025	Same as R10		1		
R53	041-025	Same as R10		1		
R54	042-148	Same as R14		1		
R55	042-141	Same as R15		1		
R56	042-141	Same as R15		1		
R57	042-148	Same as R14		1		
R58	044-284	Same as R18		1		
R59	041-321	Same as R19		1		
R60	041-321	Same as R19		1		

**PARTS LIST FOR: TRANSPORT ELECTRONICS ASSEMBLY**  
**Servo Amplifier (SA-500)**  
**Ampex Part No. 65315-11**

**CAT. NO. 65260-1**

REF NO.	AMPEX PART NO.	DESCRIPTION	MFGR REF OR MIL SPEC NO.	QTY ASS'Y	EFFECTIVE	
					ON	THRU
R61	041-025	Same as R10		1		
R62	042-268	Same as R22		1		
R63	042-268	Same as R22		1		
R64	042-268	Same as R22		1		
R65	042-268	Same as R22		1		
R66	041-374	Same as R26		1		
R67	041-374	Same as R26		1		
R68	041-025	Same as R10		1		
R69	042-268	Same as R22		1		
R70	042-268	Same as R22		1		
R71	042-268	Same as R22		1		
R72	042-268	Same as R22		1		
R73	041-254	Same as R33		1		
R74	041-254	Same as R33		1		
R75	042-156	Same as R35		1		
R76	042-156	Same as R35		1		
R77	042-269	Same as R37		1		
R78	042-156	Same as R35		1		
R79	042-156	Same as R35		1		
R80	042-269	Same as R37		1		
R81	041-002	Same as R41		1	101	149
R81	041-020	Same as R41		1	150	---

PARTS LIST FOR: TRANSPORT ELECTRONICS ASSEMBLY  
 Servo Amplifier (SA-500)  
 Ampex Part No. 65315-11

CAT. NO. 65260-1

REF NO.	AMPEX PART NO.	DESCRIPTION	MFGR REF OR MIL SPEC NO.	QTY ASS'Y	EFFECTIVE	
					ON	THRU
R82	044-284	Same as R18		1	101	149
R82	044-315	Same as R42		1	150	---
R83	042-137	Same as R43		1		
R84	042-137	Same as R43		1		
R85	042-119	Resistor, Carbon Film, 1 Megohm, 1/2 watt, 1%	MIL-R-10509: RN15R1004F	1		
R86	042-119	Same as R85		1		
R87	042-119	Same as R85		1		
R88	042-119	Same as R85		1		
R89	041-460	Resistor, Carbon, 56K ohm, 1/2 watt, 5%	MIL-R-11: RC20GF563J	1		
R90	041-460	Same as R89		1		
R91	041-460	Same as R89		1		
R92	041-460	Same as R89		1		
3	68540-10	Shield, Potentiometer		1		
4	150-080	Socket, Tube, Printed Circuit, 9 Pin	Cinch Type 1, #53P24023	6		
V1	012-068	Tube, Electron, 5751		1		
V2	012-068	Same as V1		1		
V3	012-106	Tube, Electron, 5814A		1		
V4	012-068	Same as V1		1		
V5	012-068	Same as V1		1		
V6	012-106	Same as V3		1		

**CONTROL DATA**

CORPORATION

501 PARK AVENUE, MINNEAPOLIS 15, MINNESOTA • FEDERAL 9-0411