

PRELIMINARY REVISION PACKET. SUBJECT TO CHANGE WITHOUT NOTICE.

Publication Title: BK4XX/BK5XX Hardware Maintenance Vol. 1

Publication Number: 83322150 Manual Preliminary Revision: AA

Instructions: The attached pages contain replacement information. Insert the attached pages into the appropriate place. Do not discard current manual sheet (back-up page information is not supplied with this packet). All changes contained in this preliminary packet will be in the released revision.

REV	REWORK NUMBER	ECO/FCO NUMBER	DESCRIPTION	PAGES AFFECTED
01	RWK 3712	ECO 60392	Add transducer safety stop	3-126,3-127
02		ECO 60453	Release BK5A3M & BK5A7T	xxxiii,xxxv, 3-9
03		ECO 60450	Release BK5C5A/B	xxxviii,3-9
04		ECO 60467	Release BK5B5Y/Z	xxxvi, 3-9, 3-17, 3-39, 3-67,3-77.

CONFIGURATION CHART

EQUIP	TLA	POWER		DATA CAP (MB)	CH	A CABLE CONFIG	PACK INTLK SOL	CLR CODE ***	CAB MTG STYLE
		V	Hz						
BK5A1A	47173002	120	60	80	S	*60-pin	No	A	30-in rk
BK5A1B	47173003	220/ 240	50	80	S	*60-pin	No	A	30-in rk
BK5A1D	47173085	220/ 240	50	80	S	60-pin	Yes	AH	30-in rk
BK5A1E	47292521	120	60	80	S	S&IOBC	No	AX	30-in rk
BK5A1F	47292522	220/ 240	50	80	S	S&IOBC	Yes	AX	30-in rk
BK5A1G	47292542	120	60	80	S	*60-pin	No	BG	uni cab
BK5A1H	47292543	220	50	80	S	*60-pin	No	BG	uni cab
BK5A1K	47292551	240	50	80	S	60-pin	Yes	BB	30-in rk
BK4A1M	47292573	220	50	80	S	*60-pin	Yes	A	30-in rk
BK5A2A	47173004	120	60	80	D	*60-pin	No	A	30-in rk
BK5A2B	47173005	220/ 240	50	80	D	*60-pin	No	A	30-in rk
BK5A3A	47173006	120	60	80	S	*60-pin	No	B	36-in rk
BK5A3B	47173007	220/ 240	50	80	S	*60-pin	No	B	36-in rk
BK5A3C	47292519	120	60	80	S	60-pin	No	AR	36-in rk
BK5A3D	47292520	220/ 240	50	80	S	60-pin	No	AR	36-in rk
BK5A3F	48292544	220	50	80	S	60-pin	No	B	36-in rk
BK5A3H	47292561	220	50	80	S	*60-pin	Yes	B	36-in rk
BK5A3K	47292579	220	50	80	S	60-pin	No	BP	36-in rk
BK5A4A	47173008	120	60	80	D	*60-pin	No	B	36-in rk
BK5A4B	47173009	220/ 240	50	80	D	*60-pin	No	B	36-in rk
BK5A5A	47173016	120	60	80	S	*60-pin	No	C	ped cab
BK5A5B	47173017	220/ 240	50	80	S	*60-pin	No	C	ped cab
BK5A5C	47173048	120	60	80	S	60-pin	No	J	ped cab
BK5A5D	47173049	220/ 240	50	80	S	60-pin	No	J	ped cab
BK5A3M	47292593	220	50	80	S	S&IOBC	Yes	CA	36-in rk

Table Continued on Next Page

CONFIGURATION CHART (Contd)

EQUIP	TLA	POWER		DATA CAP (MB)	CH	A CABLE CONFIG	PACK INTLK SOL	CLR CODE ***	CAB MTG STYLE
		V	Hz						
BK5A7G	47173080	120	60	80	S	60-pin	No	AC	acst drw
BK5A7H	47173078	220/ 240	50	80	S	60-pin	No	AA	acst drw
BK5A7J	47292513	120	60	80	S	60-pin	Yes	BS***	acst drw
BK5A7K	47292514	220/ 240	50	80	S	60-pin	Yes	BS***	acst drw
BK5A7L	47292525	120	60	80	S	60-pin	No	AU	acst drw
BK5A7M	47292526	220/ 240	50	80	S	60-pin	Yes	AV	acst drw
BK5A7N	47292529	120	60	80	S	60-pin	No	BS***	acst drw
BK5A7P	47292530	220/ 240	50	80	S	60-pin	No	BS***	acst drw
BK5A7R	47292557	120	60	80	S	S&IOBC	Yes	BD	acst drw
BK5A7S	47292558	220	50	80	S	S&IOBC	Yes	BD	acst drw
BK5A7U	47292562	220	50	80	S	*60-pin	Yes	E	acst drw
BK5A7V	47292565	120	60	80	S	S&IOABC	Yes	BK	acst drw
BK5A7W	47292566	240	50	80	S	S&IOABC	Yes	BL	acst drw
BK5A7Y	47292574	120	60	80	S	60-pin	Yes	BK***	acst drw
BK5A7Z	47292575	220	50	80	S	60-pin	Yes	BL***	acst drw
BK5A8A	47173022	120	60	80	D	*60-pin	No	D	acst drw
BK5A8B	47173023	220/ 240	50	80	D	*60-pin	No	E	acst drw
BK5A9A	47173024	120	60	80	S	*60-pin	No	F	acst cab
BK5A9B	47173025	220/ 240	50	80	S	*60-pin	No	G	acst cab
BK5A9G	47173066	120	60	80	S	60-pin	No	X	acst cab
BK5A9H	47173067	220/ 240	50	80	S	60-pin	No	Y	acst cab
BK5A9J	47173069	220/ 240	50	80	S	60-pin	No	-	acst cab
BK5A9K	47173077	220/ 240	50	80	S	60-pin	No	AB	acst cab
BK5A9T	47292594	220	50	80	S	S&IOABC	Yes	CB	acst drw

Table Continued on Next Page

CONFIGURATION CHART (Contd)

EQUIP	TLA	POWER		DATA CAP (MB)	CH	A CABLE CONFIG	PACK INTLK SOL	CLR CODE ***	CAB MTG STYLE
		V	Hz						
BK5A9L	47173081	120	60	80	S	60-pin	No	AD	acst cab
BK5A9M	47292516	220/ 240	50	80	S	60-pin	Yes	BU***	acst cab
BK5A9N	47292510	120	60	80	S	60-pin	No	AL	acst cab
BK5A9P	47292515	120	60	80	S	60-pin	Yes	BT***	acst cab
BK5A9R	47292517	120	60	80	S	60-pin	No **	AN	acst cab
BK5A9S	47292518	220/ 240	50	80	S	60-pin	No **	AS AP	acst cab
BK5A9T	47292523	120	60	80	S	60-pin	No	AD AS	acst cab
BK5A9U	47292524	220/ 240	50	80	S	60-pin	Yes	AX AT	acst cab
BK5A9V	47292527	120	60	80	A	60-pin	No	BT***	acst cab
BK5A9W	47292528	220/ 240	50	80	S	60-pin	No	BU***	acst cab
BK5A9Z	47292564	220	50	80	S	*60-pin	Yes	G	acst cab
BK5B1A	47173026	120	60	80	D	*60-pin	No	F	acst cab
BK5B1B	47173027	220/ 240	50	80	D	*60-pin	No	G	acst cab
BK5B5J	47173082	120	60	80	S	60-pin	Yes	AF	acst cab
BK5B5K	47173083	220/ 240	50	80	S	60-pin	Yes	AG	acst cab
BK5B5L	47292549	120	60	80	S	S&IOBC	Yes	BA	ped cab
BK5B5M	47292550	220	50	80	S	S&IOBC	Yes	BA	ped cab
BK5B5N	47292553	120	60	80	S	S&IOABC	Yes	2	ped cab
BK5B5P	47292554	220	50	80	S	S&IOABC	Yes	2	ped cab
BK5B5S	47292563	220	50	80	S	*60-pin	Yes	C	ped cab
BK5B5T	47292572	100	60	80	S	S&IOBC	Yes	AK	ped cab
BK5B5U	47292571	100	50	80	S	S&IOBC	Yes	AK	ped cab
BK5B5W	47292581	220	50	80	S	60-pin	No	C	ped cab
BK5B6A	47173036	120	60	80	D	S&IOBC	Yes	H	ped cab
BK5B6B	47173037	220/ 240	50	80	D	S&IOBC	Yes	H	ped cab
BK5B5Y	47292591	120	60	80	S	*60-PIN	NO	CB	PED CAB
BK5B5Z	47292592	220/ 240	50	80	S	*60-PIN	NO	CB	PED CAB

Table Continued on Next Page

CONFIGURATION CHART (Contd)

EQUIP	TLA	POWER		DATA CAP (MB)	CH	A CABLE CONFIG	PACK INTLK SOL	CLR CODE ****	CAB MTG STYLE
		V	Hz						
BK5C2A	47173050	120	60	80	S	60-pin	No	P	nude
BK5C2B	47173051	220/ 240	50	80	S	60-pin	No	P	nude
BK5C3A	47292511	120	60	80	S	*60-pin	No	AM	desk
BK5C3B	47292512	220/ 240	50	80	S	*60-pin	No	AM	desk
BK5C4A	47292559	120	60	80	S	S&IOBC	Yes	BE	acst cab
BK5C4B	47292560	220	50	80	S	S&IOBC	Yes	BF	acst cab
BK5C4C	47292567	120	60	80	S	S&IOABC	Yes	BH	acst cab
BK5C4D	47292568	220	50	80	S	S&IOABC	Yes	BJ	acst cab
BK5C4E	47292569	120	60	80	S	60-pin	No	BM	acst cab
BK5C4F	47292570	220	50	80	S	60-pin	No	BN	acst cab
BK5C4G	47292576	120	60	80	S	60-pin	Yes	BH***	acst cab
BK5C4H	47292577	220	50	80	S	60-pin	Yes	BJ***	acst cab
BK5C4K	47292578	220	50	80	S	60-pin	No	BR	acst cab
BK5C4M	47292580	220	50	80	S	60-pin	Yes	BV	acst cab
BK5C4P	47292582	220	50	80	S	60-pin	Yes	BW	acst cab
BK5C4R	47292583	120	60	80	S	S&IOBC	Yes	BX	acst cab
BK5C4S	47292584	220	50	80	S	S&IOBC	Yes	BY	acst cab
BK5C5A	47292595	120	60	80	S	60-pin	No	CC	acst drw
BK5C5B	47292596	220	50	80	S	60-pin	Yes	CC	acst drw

***SEE TABLE 3-1 COLOR CODE CHART

* Units built after S/C 34 have Index and Sector on A and B Cables.

** Units built after S/C 24 have Pack Interlocks.

*** Units have Special Supplement.

ARC3

TABLE 3-1. COLOR CODE CHART

83322150 ARCH

C O L O R C O D E	CASE		PACK ACCESS COVER		FRONT DOOR		REAR DOOR		LEFT SIDE PANEL		RIGHT SIDE PANEL		TOP PANEL		CASE DOOR		FILLER PANEL-UPPER		FILLER PANEL-LOWER		COMMENTS
	ASSY TAB	PC PT TAB	ASSY TAB	PC PT TAB	ASSY TAB	PC PT TAB	ASSY TAB	PC PT TAB	ASSY TAB	PC PT TAB	ASSY TAB	PC PT TAB	ASSY TAB	PC PT TAB	ASSY TAB	PC PT TAB	ASSY TAB	PC PT TAB	ASSY TAB	PC PT TAB	
	*	+																			
CA	01	-	03	95	08	-	-	-	-	-	-	-	-	-	-	03	-	-	-	-	
CB	14	-	61	72	60	-	-	-	-	-	-	-	-	-	-	61	-	-	-	-	
CC	15		14	51	14	-	-	-	-	-	-	-	-	-	-	14	-	14	-	14	
CB	19	07	62	96	13	-	63	-	62	-	62	-	62	-	62	-	62	-	-	-	

* W/55155B
+ W/O 55155B

INDEX NO	PART NO	PART DESCRIPTION	NOTE
----------	---------	------------------	------

3-2		FINAL ASSEMBLY, Pedestal (Sheet 2)	
	47308701	FRAME ASSEMBLY	
1	10127131	SCREW, 10-24 x 3/8, Pan Head Machine	
2	10126403	WASHER, #10 External Tooth Lock	
3	94369530	CABLE, Ground	
4	92151017	SCREW, Hex Head	
5	10125807	WASHER, 5/16 Spring Lock	
6	92703015	CASTER	
7	10127121	SCREW, 8-32 x 5/16 Pan Head Machine	
8	10126402	WASHER, #8 External Tooth Lock	
9	76418400	HINGE, Lower Door	
10	47297800	FRAME, Base	
11	10125606	WASHER, #8 Flat	
12	75074800	KEEPER, Latch	
13	16345307	<u>PIVOT</u>	<i>RIVET</i>
14	93325001	CATCH, Spring	
15	75074900	HINGE, Upper Door - - - * - - -	
16		FRONT AND REAR DOOR, Nonacoustic (See Figure 3-16)	
17	94274140	TERMINAL, Quick Connect	
18		SIDE PANEL ASSEMBLY, Nonacoustic (See Figure 3-20)	
19	93697013	LEVELER	
20	10125303	NUT, 3/8 - 16 Hex	
21	93847001	BEARING, Flanged	
22	765160**	PANEL, Top	Used on all units except BK4A5C/D BK5A5N/P + BK5B5Y/Z
22	473133**	PANEL, Top	Used on BK4A5C/D, BK5A5N/P + BK5B5Y/Z
23	93326004	STUD, Ball	
24	10125607	WASHER, #10 Flat	

INDEX NO	PART NO	PART DESCRIPTION	NOTE
3-8	472021**	CASE ASSEMBLY, Pedestal	S/C 21 W/O 55155B & Blw
3-8	472901**	CASE ASSEMBLY, Pedestal	S/C 21 W/55155B & Abv
1	473691**	DOOR, Case	Used on all units except BK4A5C/D, BK5A5N/P +BK5B5Y/Z
1	473692**	DOOR, Case	Used only on BK4A5C/D, BK5A5N/P BK5B5Y/Z
2	474540**	CASE, Top	Used on all units except BK4A5C/D, BK5A5N/P +BK5B5Y/Z
2	473135**	CASE, Top	Used only on BK4A5C/D, BK5A5N/P + BK5B5Y/Z
3	10125106	NUT, 8-32 Hex	
4	10125804	WASHER, #8 Spring Lock	
5	10125606	WASHER, #8 Flat	
6	75257700	RETAINER, Filter	
7	##	FILTER, Air	
8	92628413	TAPE, Foam	
9	93826236	SCREW, 10-32 x 3/8 Self- Locking Pan Head	
10	76427601	ARM, Case Support	
11	75062400	WASHER, Insulator	
12	92033037	RING, Retaining	
13	46819300	SPRING, Extension	
14	75065200	PIN, Case Pivot	
15	93530021	PIN, Roll	
16	92628302	TAPE, Black Adhesive Back	
17	10126402	WASHER, #8 External Tooth Lock	
18	94274105	TERMINAL, Quick Connect	
19	75040479	PANEL, Acoustical Foam	Left Side, S/C 21 W/O 55155B & Blw
19	75040480	PANEL, Acoustical Foam (Not Shown)	Right Side, S/C 21 W/O 55155B & Blw
19	47291100	PANEL, Acoustical Foam	Left Side, S/C 21 W/55155B & Abv

INDEX NO	PART NO	PART DESCRIPTION	NOTE
3-16		FRONT AND REAR DOOR, Nonacoustic	
1	765158**	DOOR, Front	Used on all units except BK5B5N/P, BK5B5Y/Z + BK5A6G/H
1	473131**	DOOR, Front	Used on BK5B5N/P, BK5B5Y/Z + BK5A6G/H ONLY
1	765159**	DOOR, Rear	Used on all units except BK5B5N/P, BK5B5Y/Z + BK5A6G/H
1	473130**	DOOR, Rear	Used on BK5B5N/P, BK5B5Y/Z + BK5A6G/H ONLY
2	10127131	SCREW, 10-24 x 3/8 Pan Head Machine	
3	10126403	WASHER, #10 External Tooth Lock	
4	94274140	TERMINAL, Quick Connect	
5	92633021	BUMPER, Grommet	
6	94221400	LATCH, Flush	
7		SPRING, Latch	Supplied With
8		BRACKET, Latch	Flush Latch
9	94224907	SPACER, Latch	

INDEX NO	PART NO	PART DESCRIPTION	NOTE
3-20		SIDE PANEL, Nonacoustic	
1	760299**	PANEL, Side	Left Side Panel used on all units except BK4A5C/D, BK5A5N/P + BK5B5Y/Z
1	760298**	PANEL, Side	Right Side Panel used on all units except BK4A5C/D, BK5A5N/P + BK5B5Y/Z
1	473119**	PANEL, Side	Left Side Panel used on BK5B5N/P, BK5A6G/H, BK5B5Y/Z, BK4A5C/D & BK5A5N/P only
1	473128**	PANEL, Side	Right Side Panel used on BK5B5N/P, BK5B5Y/Z, BK5A6G/H, BK4A5C/D & BK5A5N/P only
2	10127131	SCREW, 10-24 x 3/8 Pan Head Machine	
3	10126403	WASHER, #10 External Tooth Lock	
4	94274140	TERMINAL, Quick Connect	
5	93592428	SCREW, 10-32 x 3/8 Self Tapping Hex Head	
6	77568600	BRACKET, Panel Mounting	
7	76429342	SEAL, Acoustical	Left Side Panel
7	76429345	SEAL, Acoustical	Right Side Panel
8	76429343	SEAL, Acoustical	Left Side Panel
8	76429344	SEAL, Acoustical	Right Side Panel

AA04

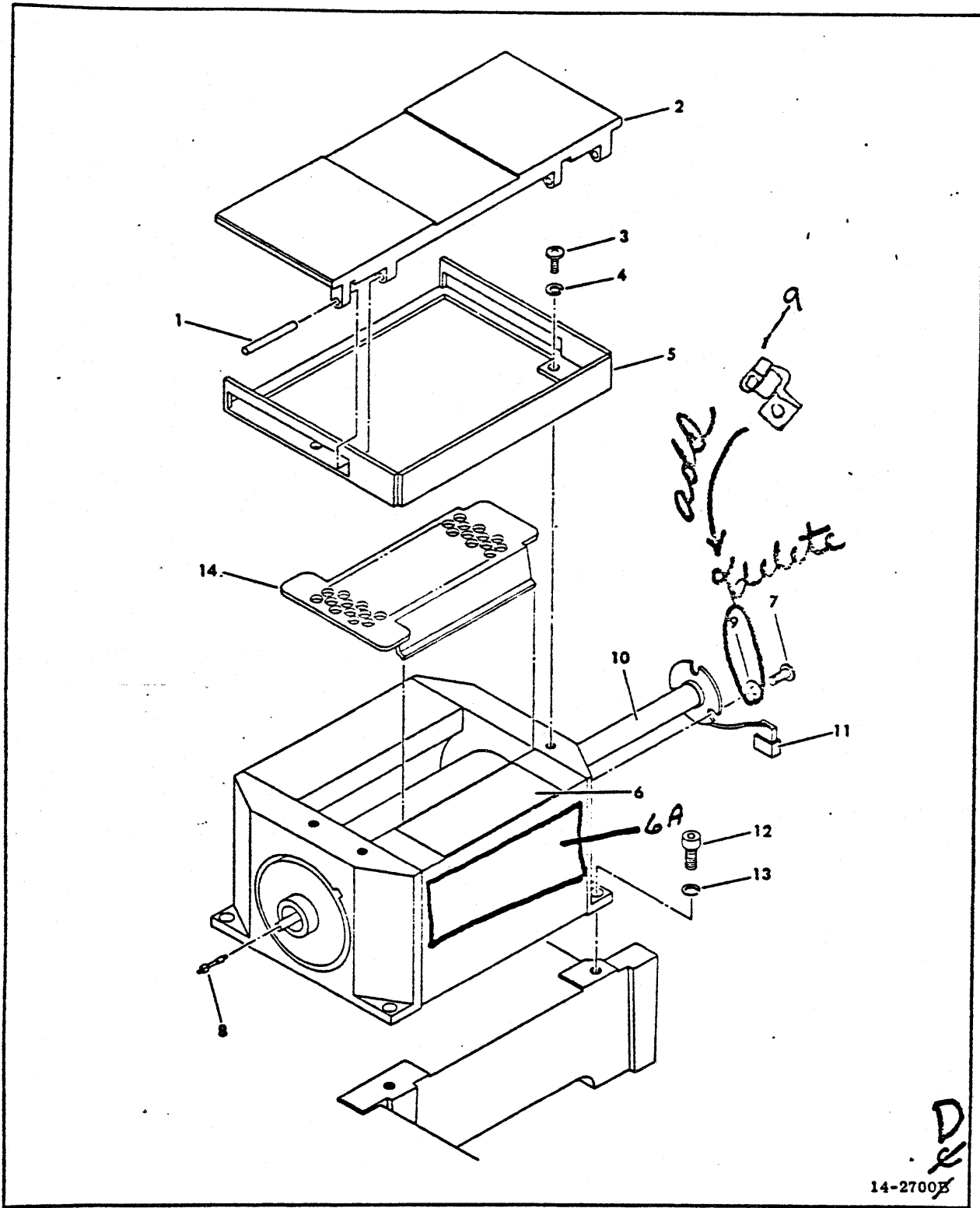


Figure 3-29. Magnet Assembly

AAOI

INDEX NO	PART NO	PART DESCRIPTION	NOTE
----------	---------	------------------	------

3-29	47200700	MAGNET ASSEMBLY	S/C 16 & Blw
3-29	47200701	MAGNET ASSEMBLY	S/C 17-25
3-29	47200702	MAGNET ASSEMBLY	S/C 26 & 27 36 w/o 60381
1	93530148	PIN, 1.38 x .125 Roll	S/C 16 & Blw
2	47171100	BRACKET, Logic Chassis Mounting	S/C 16 & Blw
3	10127122	SCREW, 8-32 x 3/4 Pan Head Machine	S/C 16 & Blw
4	10125804	WASHER, #8 Spring Lock	S/C 16 & Blw
5	83254800	BRACKET, Logic Chassis Slide	S/C 16 & Blw
6	92006904	PLATE, Bilingual Magnetic Field Warning (ITEMS LISTED BELOW THIS NOTE ARE NOT PART OF THE MAGNET ASSEMBLY)	
7	93749162	SCREW, 6-32 x 3/8 Washer Pan Head	
8	76425801	ROD, Extension	
9	10125605	WASHER, #6 Flat	
10	##	TRANSDUCER ASSEMBLY (A3L2)	
11	93948008	CONNECTOR, Pin Housing (4 Pin) (ASSOCIATED PARTS)	
	93942014	CONTACT, Pin - - - * - - -	
12	10126234	SCREW, 10-24 x 1/2 Socket Hex Head	
13	10125805	WASHER, #10 Spring Lock	
14	75257100	COVER, Magnet	
3-29	47200703	MAGNET, ASSEMBLY	S/C 36 & Abv w/60381
6A	92318032	INSULATOR, Fish Paper	s/c 36 & Abv w/60381
9	73072900	STOP, Transducer Safety	

AA01
②