

PRELIMINARY REVISION PACKET. SUBJECT TO CHANGE WITHOUT NOTICE.

Publication Title: BK4XX/BK5XX Hardware Maintenance Vol. I

Publication Number: 83322150 Manual Preliminary Revision: 2

**Instructions:** The attached pages contain replacement information. Insert the attached pages into the appropriate place. Do not discard current manual sheet (back-up page information is not supplied with this packet). All changes contained in this preliminary packet will be in the released revision.

REV	REWORK NUMBER	ECO/FCO NUMBER	DESCRIPTION	PAGES AFFECTED
01	RWK 3685	ECO 60381	Change magnet assembly (add insulator)	3-126, 3-127
02	S/C 37	ECO 60337 FCO 60378	Add ground wire to brake	v, 1-132 thru 1-132.4
		ECO 60324	Add logo for BK5C4R/S	3-45
03		ECO 60253A	Change power cord routing for BK4B7A/B and BK5C1E/F/J/K only.	3-135, 3-146, 3-151, 3-162

# MANUAL TO EQUIPMENT LEVEL CORRELATION

This manual reflects the equipment configurations listed below.

**EXPLANATION:** Locate the equipment type and series code number, as shown on the equipment FCO log, in the list below. Immediately to the right of the series code number is an FCO number. If that number and all of the numbers underneath it match all of the numbers on the equipment FCO log, then this manual accurately reflects the equipment.

This correlation sheet also applies to the following related manuals:

Pub No. 83322240 Rev. S<sup>T</sup>  
 Pub No. 83322250 Rev. N<sup>P</sup>

EQUIPMENT TYPE	SERIES CODE	WITH FCOs	COMMENTS	
BK4XX/BK5XX	10	None	Optional	
	11	None		
	12	None		
	13	None		
	14	None		
	15	None		
	16	48477 48518A		
	17	None		
	18	None		
	19	55172		
	20	55044		
	21	None		
	22	55112 55157 55422		
	23	None		S/C 24 only
	24	55492		
	25	None		
	26	None		
	27	None		
	28	None		
	29	None		
	30	None		
	31	None		
	32	60044	S/C 24-32 BK4B7A/B only	
	33	None		
	34	None		

83322150 W<sup>Y</sup>  
 202 60378 S/C 29-36 only

INDEX NO	PART NO	PART DESCRIPTION	NOTE
----------	---------	------------------	------

3-9	775628**	CASE ASSEMBLY, Acoustic Cabinet (Contd)	
15	76429320	SEAL, Acoustical	
16	75040474	PANEL, Acoustical Foam	
17	94303500	RECEPTACLE, Clip In	S/C 21 W/O 55155B & Abv only

18	76429322	SEAL, Acoustical	
19	15000601	EMBLEM, 97xxSMD Product Identification	

20	94365000	EMBLEM, CDC Exterior Identification	<del>See Note</del>
21	73029800	KEEPER, Latch	<del>See Note</del>
22	10126105	WASHER, #10 Internal Tooth Lock	S/C 21 W/55155B & Abv only
23	10127141	SCREW, 10-32 x 5/16 Pan Head Machine	S/C 21 W/55155B & Abv only

NOTE

The part numbers listed are for standard CDC emblems only. ~~Not all units are shipped from the factory with standard CDC emblems~~

24	10125804	WASHER, #8 Spring Lock	used on BK5A9T only
----	----------	------------------------	---------------------

19	83641600	EMBLEM, Product (ICL)	s/c 37 & Abv; BK5C4R/S only
----	----------	-----------------------	-----------------------------

20	47427501	CHANNEL, Logo Carrier	s/c 37 & Abv; BK5C4R/S only
----	----------	-----------------------	-----------------------------

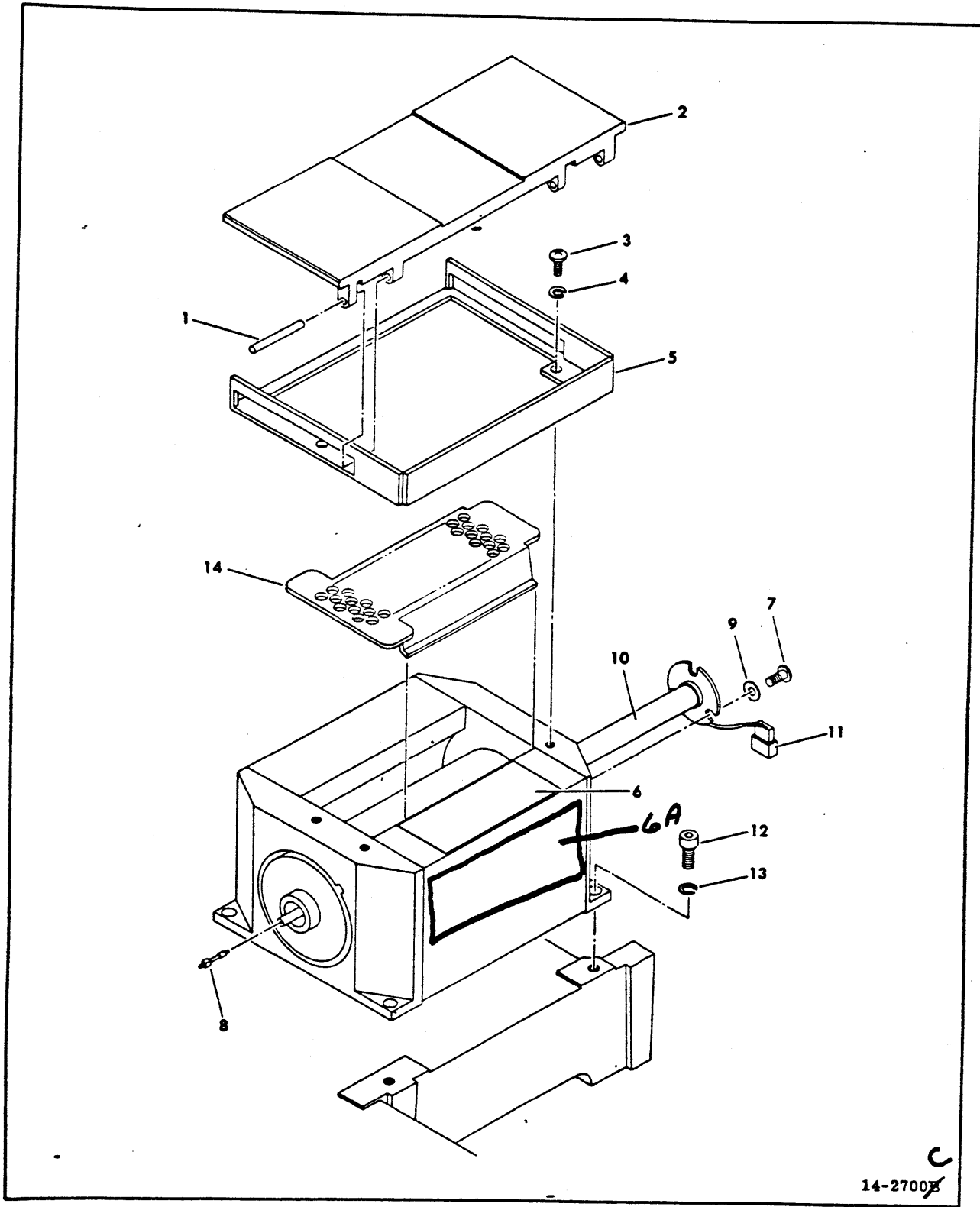


Figure 3-29. Magnet Assembly

INDEX NO	PART NO	PART DESCRIPTION	NOTE
----------	---------	------------------	------

3-29	47200700	MAGNET ASSEMBLY	S/C 16 & Blw
3-29	47200701	MAGNET ASSEMBLY	S/C 17-25
3-29	47200702	MAGNET ASSEMBLY	S/C 26 & <del>Abv</del> <sup>9-36</sup> w/c 60381
1	93530148	PIN, 1.38 x .125 Roll	S/C 16 & Blw
2	47171100	BRACKET, Logic Chassis Mounting	S/C 16 & Blw
3	10127122	SCREW, 8-32 x 3/4 Pan Head Machine	S/C 16 & Blw
4	10125804	WASHER, #8 Spring Lock	S/C 16 & Blw
5	83254800	BRACKET, Logic Chassis Slide	S/C 16 & Blw
6	92006904	PLATE, Bilingual Magnetic Field Warning (ITEMS LISTED BELOW THIS NOTE ARE NOT PART OF THE MAGNET ASSEMBLY)	
7	93749162	SCREW, 6-32 x 3/8 Washer Pan Head	
8	76425801	ROD, Extension	
9	10125605	WASHER, #6 Flat	
10	##	TRANSDUCER ASSEMBLY (A3L2)	
11	93948008	CONNECTOR, Pin Housing (4 Pin) (ASSOCIATED PARTS)	
	93942014	CONTACT, Pin - - - * - - -	
12	10126234	SCREW, 10-24 x 1/2 Socket Hex Head	
13	10125805	WASHER, #10 Spring Lock	
14	75257100	COVER, Magnet	
3-29	47200703	MAGNET, ASSEMBLY	S/C 36 & Abv w/60381
6A	92318032	INSULATOR, Fish Paper	s/c 36 & Abv w/60381

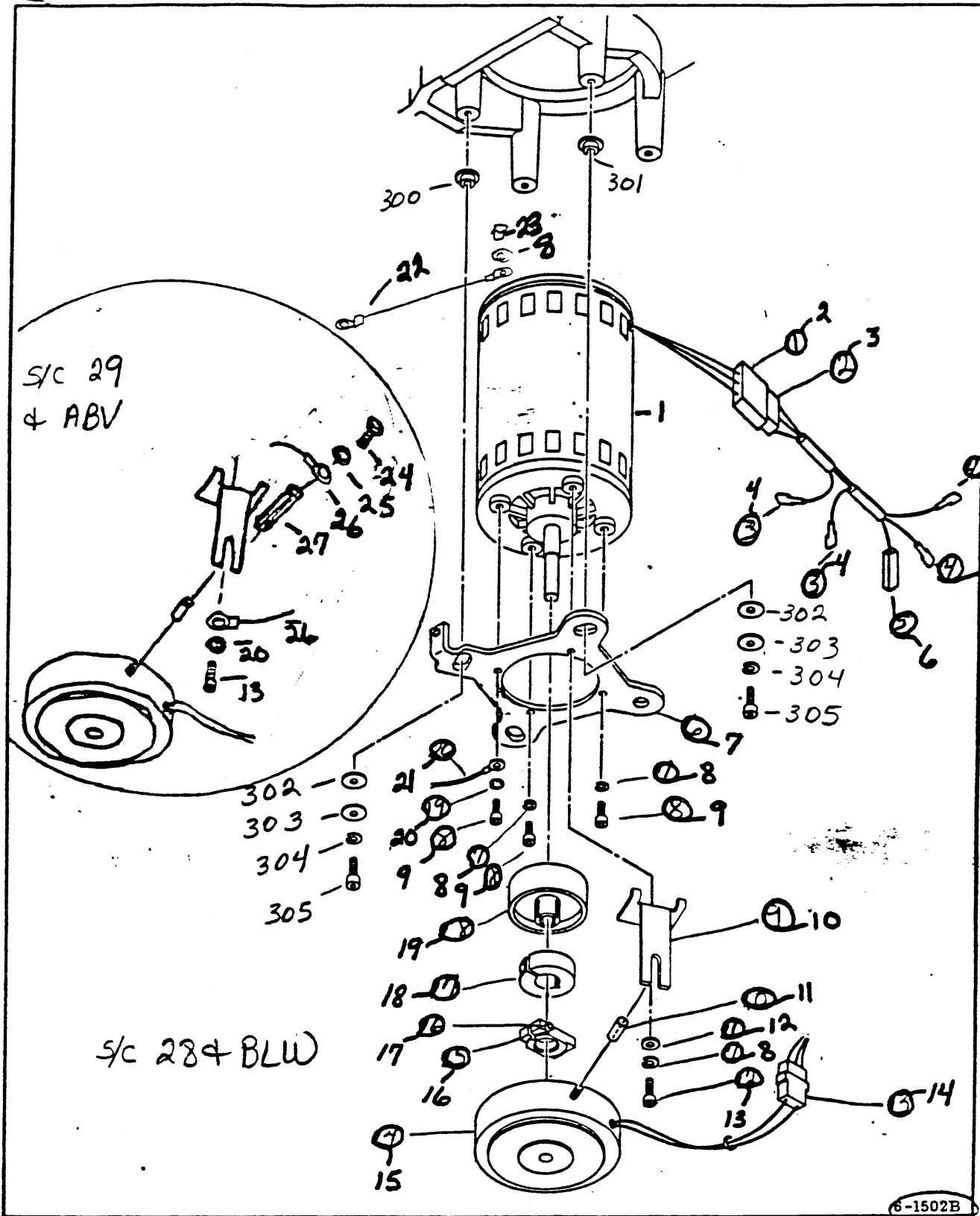
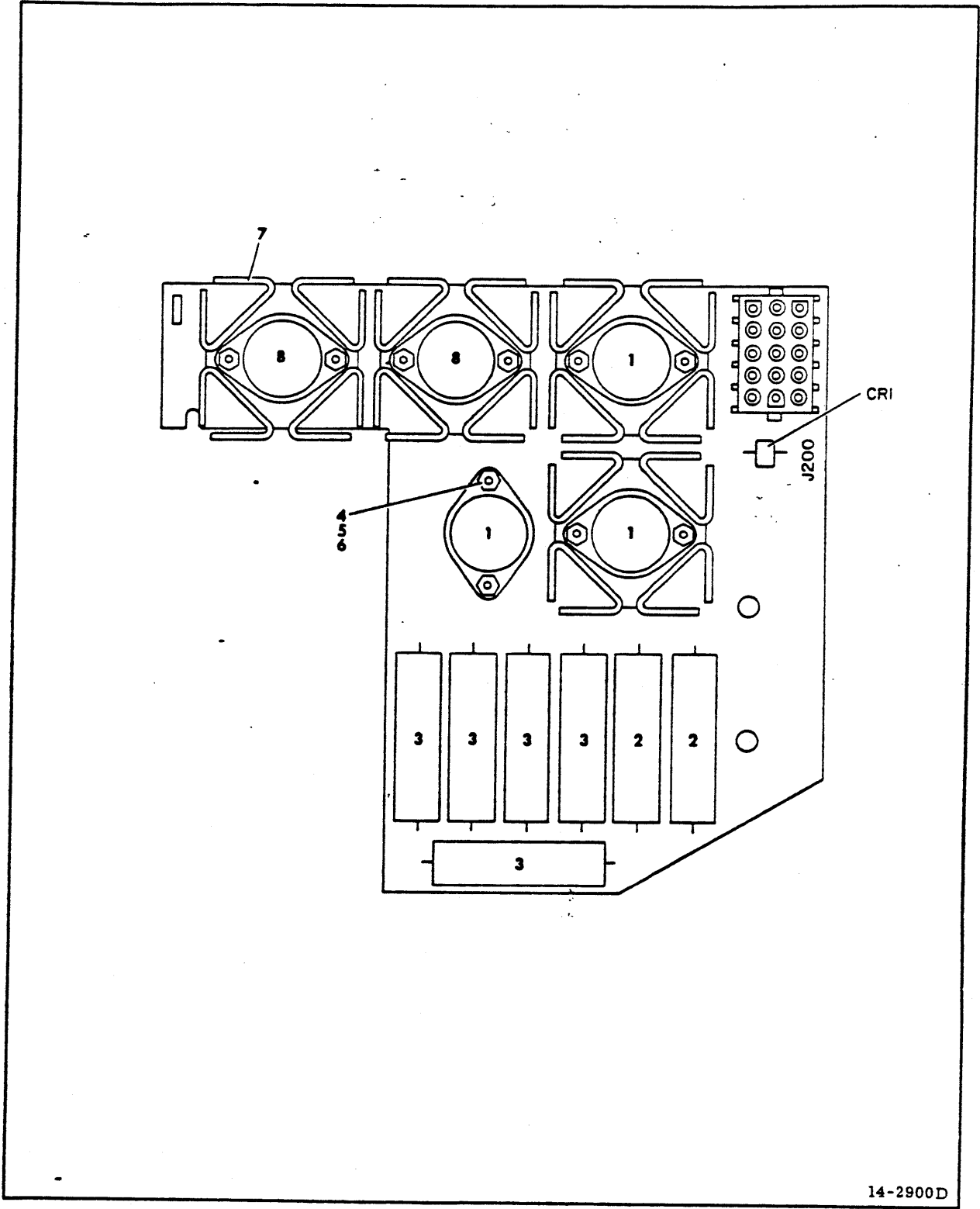


Figure 3-30. Drive Motor And Brake Assemblies

INDEX NO.	PART NUMBER	PART DESCRIPTION	NOTES
3-30		DRIVE MOTOR AND BRAKE ASSEMBLIES	
	# #	DRIVE MOTOR ASSEMBLY (A3DMI)	
1	77398000	MOTOR, End Mounting	60 Hz , 120 V AC
1	77398100	MOTOR, End Mounting	60 Hz , 100 V AC
1	77398101	MOTOR, End Mounting	50 Hz , 100 V AC
1	92003700	MOTOR, End Mounting	50 Hz , 220/240 V AC
2	93948003	CONNECTOR, Pin Housing (3 Pin) (P304)	
		(ASSOCIATED PARTS)	
	93942002	CONTACT, Pin	
		— — — * — — —	
		W6 CABLE ASSEMBLY (See Figure 3-22 Sheet 1 For Part Number)	
3	93947004	CONNECTOR, Socket Housing (3 Pin) (J304)	
		(ASSOCIATED PARTS)	
	93943002	CONTACT, Socket	
		— — — * — — —	
4	95643208	CONNECTOR, Quick Connect	
5	95643232	CONNECTOR, Quick Connect	
6	93948009	CONNECTOR, Pin Housing (1 Pin) (J302)	
		(ASSOCIATED PARTS)	
		CONTACT, Pin	
		— — — * — — —	
7	76409200	PLATE, Motor Mounting	
8	10125804	WASHER, #8 Spring Lock	
9	10126226	SCREW, 8-32 x 1/2 Hexagon Socket Head	
10	73053200	BRACKET, Brake Mount	
11	94165008	TUBING, Plastic	
12	93210008	WASHER, # 8 Stainless Steel Flat	
13	10126227	SCREW, 8-32 x 5/8 Hexagon Socket Head	
	# #	HYSTERESIS BRAKE ASSEMBLY	
14	93948004	CONNECTOR, Pin Housing (2 Pin)	
		(ASSOCIATED PARTS)	
	93942023	CONTACT, Pin	
		— — — * — — —	
15	94382300	BRAKE, Hysteresis	

INDEX NO.	PART NUMBER	PART DESCRIPTION	NOTES
3-30		DRIVE MOTOR AND BRAKE ASSEMBLIES (Contd)	
16	73044100	COLLAR, Brake	
17	92005200	SCREW, 8-32x3/4 Socket Head	
18	93287009	COLLAR, Shaft	
19	76051302	PULLEY, Motor	60 Hz
19	76051303	PULLEY, Motor	50 Hz
20	10126104	WASHER, #8 Internal Tooth Lock	
21	94281404	CABLE, Ground	Used on all units except BK4B7B, BK5A1K, BK5A7M, BK5A94 & BK5C1F only
22		CABLE, Ground (ASSOCIATED PARTS)	Used on BK4B7B, BK5A1K, BK5A7M, BK5A94 & BK5C1F only
	93541018	TERMINAL, Ring Tongue — — — * — — —	
23		NUT, Hexagon	Supplied with Motor
24	10127361	SCREW,	
25	10126105	WASHER,	
26	77579946	JUMPER ASSEMBLY (ASSOCIATED PARTS)	
	95604018	TERMINAL, Ring Tongue — — — * — — —	
27	73078800	STANDOFF, Motor Brake Ground	
		(ITEMS LISTED BELOW ARE NOT PART OF THE DRIVE MOTOR AND BRAKE ASSEMBLIES)	
300	75062800	WASHER, Shoulder	
301	75062805	WASHER, Shoulder	
302	75062400	WASHER, Insulator	
303	94047052	WASHER, Special	
304	10125805	WASHER, #10 Spring Lock	
305	10126235	SCREW, 10-24 x 5/8 Socket Head	



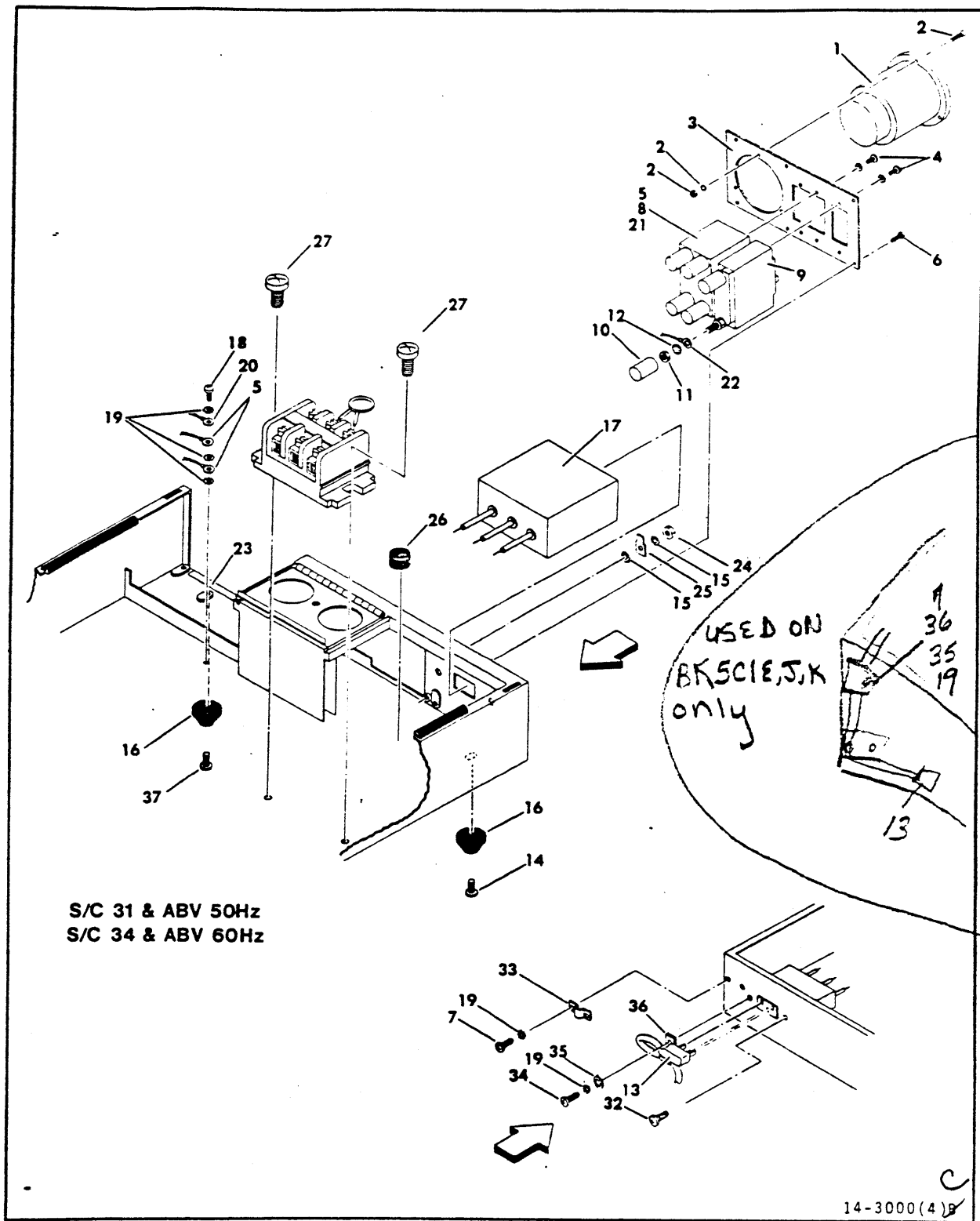


3-132.4  
 8-132

Figure 3-31. Power Amplifier

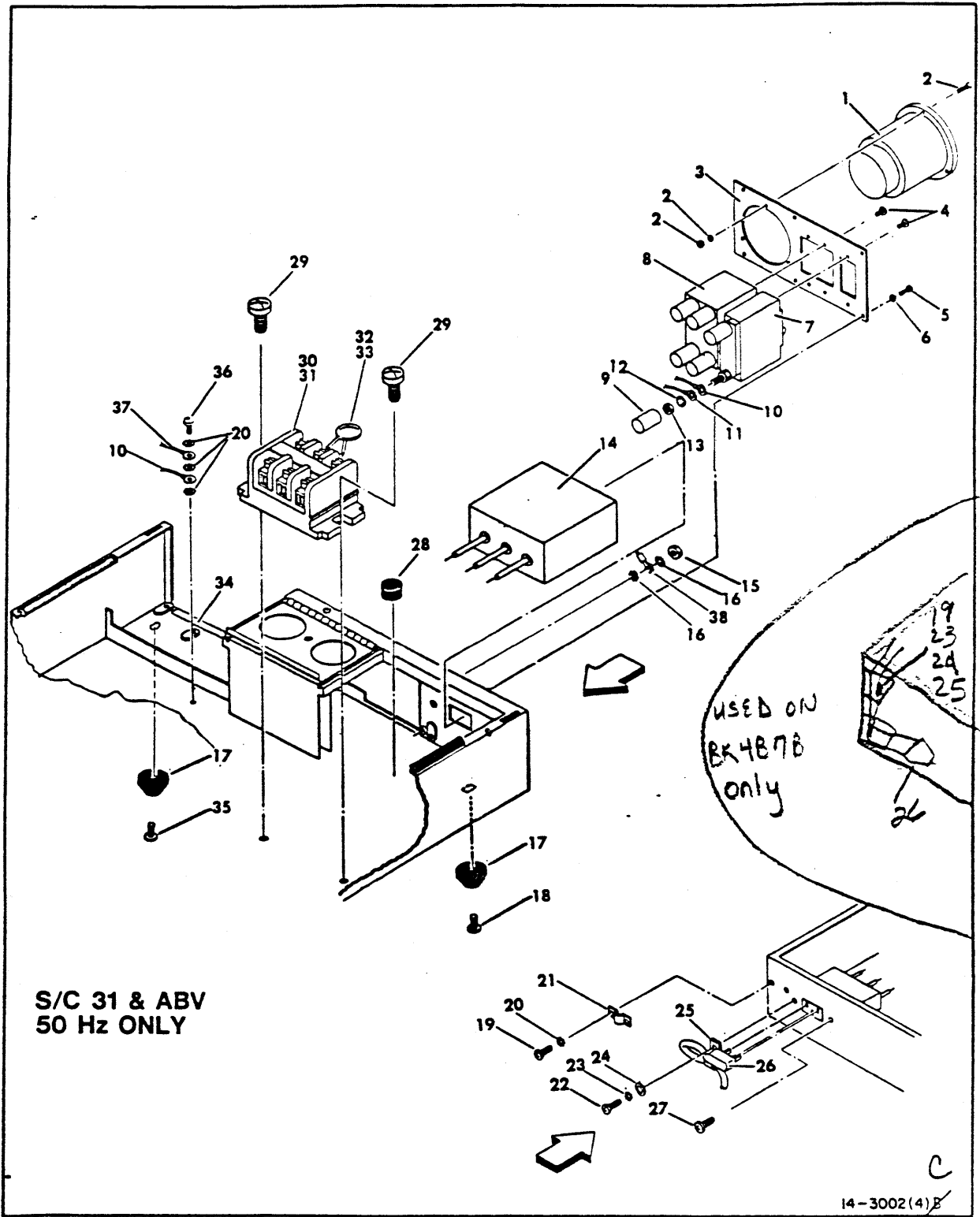
83322150 (W) 202

INDEX NO	PART NO	PART DESCRIPTION	NOTE
3-32	471718XX	BASE ASSEMBLY (A1) (Sheet 1 of 4)	Used on all units except BK4B7B, BK5A1K, BK5A7M, BK5A9U, BK5C1F
1	93755236	SCREW, 10-32 x 5/16 Washer Pan Head	
2	24501605	BLOCK, Terminal (AlTb1)	
3	10125607	WASHER, #10 Flat	
4	##	TRANSFORMER, Ferro (AC Power) (AlT1)	
5	51906004	CONNECTOR, (P100) (ASSOCIATED PARTS)	
	51906200	CONTACT, Socket - - - * - - -	
6	95643212	TERMINAL, Quick Connect	
7	10127320	SCREW, 4-40 x 1/4 Pan Head Machine	
8	##	SWITCH, Deck Interlock (AlS4)	
9	93749162	SCREW, 6-32 x 3/8 Washer Pan Head	
10	24501658	COVER, Terminal Block	
11	10125605	WASHER, #6 Flat	
12	92602002	CLAMP, Nylon Cable	
13	##	SWITCH, Modified (Run Triac) (AlK1)	
14	10125106	NUT, 8-32 Machine Screw	
15		POWER SUPPLY ASSEMBLY (See Figure 3-31)	
16	94362600	MOUNT, Shock	
17	92633023	BUMPER, Grommet Type	
18	10125907	SCREW, 6-32 x 3/16 Flat Head Machine	
19	47172600	BASE	S/C 16 & Blw
19	47331900	BASE	50 Hz S/C 17-30, 60 Hz S/C 17-33
19	73057300	BASE	50 Hz S/C <del>31-36</del> <del>Abv</del> , 60 Hz S/C 34 & <del>Abv</del> - 36
20	10127121	SCREW, 8-32 x 5/16 Pan Head Machine	
21	10126402	WASHER, #8 External Tooth Lock	
22	47171700	GUIDE, Deck	
23	10126233	SCREW, 10-24 x 3/8 Socket Hex Head	
24	10125805	WASHER, #10 Spring Lock	
19	73057301	BASE	s/c 37 & Abv



203

INDEX NO	PART NO	PART DESCRIPTION	NOTE
3-33	832619XX	BASE ASSEMBLY (A1) (Sheet 1 of 4)	Used on BK4B7B, BK5A1K, BK5A7M, BK5A9U & BK5C1F only
1	10127141	SCREW, 10-32 x 5/16 Pan Head Machine	
2	24501605	BLOCK, Terminal (AlTBl)	
3	10125607	WASHER, #10 Flat	
4	##	TRANSFORMER, Ferro (AC Power ) (AlT1)	
5	94091007	CONNECTOR, (Pl00) (ASSOCIATED PARTS)	
	93943003	CONTACT, Socket - - - * - - -	
6	95643212	TERMINAL, Quick Connect	
7	10127320	SCREW, 4-40 x 1/4 Pan Head Machine	
8	##	SWITCH, Deck Interlock (AlS4)	
9	10127113	SCREW, 6-32 x 3/8 Washer Pan Head	
10	24501658	COVER, Terminal Block	
11	10125605	WASHER, #6 Flat	
12	92602000	CLAMP, Nylon Cable	
13	##	SWITCH, Modified (Run Triac) (AlK1)	
14	10125106	NUT, 8-32 Machine Screw	
15		POWER SUPPLY ASSEMBLY	
16	94362600	MOUNT, Shock	
17	92633023	BUMPER, Grommet Type	
18	10125711	SCREW, 6-32 x 3/16 Flat Head Machine	
19	47331900	BASE	S/C 30 & Blw
19	73057300	BASE	S/C 31 & <del>Abv</del> -36
20	10127121	SCREW, 8-32 x 5/16 Pan Head Machine	
21	10126402	WASHER, #8 External Tooth Lock	
22	47171700	GUIDE, Deck	
23	10126243	SCREW, 10-32 x 3/8 Socket Hex Head	
24	10125805	WASHER, #10 Spring Lock	
25	75244900	BRACKET, Shock Lock	
26	76423801	GASKET, Base Side	
27	94369536	CABLE, Ground	
28	92826236	SCREW, 10-32 x 5/16 Self- Locking Pan Head	
29	76427600	ARM, Case Support	
19	73057301	BASE	S/C 37 & Abv



203