

**UNISYS**

**CTOS<sup>®</sup>  
Cluster and Network  
Hardware  
Installation  
Guide**

Copyright © 1991 Unisys Corporation  
All Rights Reserved  
Unisys is a trademark of Unisys Corporation

March 1991

Priced Item

Printed in USA  
09-02702

**NO WARRANTIES OF ANY NATURE ARE EXTENDED BY THIS DOCUMENT.** Any product and related material disclosed herein are only furnished pursuant and subject to the terms and conditions of a duly executed Program Product License or Agreement to purchase or lease equipment. The only warranties made by Unisys, if any, with respect to the products described in this document are set forth in such License or Agreement. Unisys cannot accept any financial or other responsibility that may be the result of your use of the information or software material, including direct, indirect, special or consequential damages.

You should be careful to ensure that the use of this information and/or software material complies with the laws, rules, and regulations of the jurisdictions with respect to which it is used.

The information contained herein is subject to change without notice. Revisions may be issued to advise of such changes and/or additions.

The statement below is included in this document to comply with a Federal Communications Commission (FCC) regulation. The FCC is an agency of the United States government; thus, the statement below applies to computing equipment installed in the United States of America. Unisys is taking appropriate steps to be in compliance with FCC regulations and similar regulations of other countries.

**WARNING:** This equipment generates, uses, and can radiate radio frequency energy and, if not installed and used in accordance with the instruction manual, may cause interference to radio communications. It has been tested and found to comply with the limits for a Class A computing device pursuant to Subpart J of Part 15 of FCC Rules, which are designed to provide reasonable protection against such interference when operated in a commercial environment. Operation of this equipment in a residential area is likely to cause interference, in which case the user, at his own expense, will be required to take whatever measure may be required to correct the interference.

CTOS is a registered trademark of Convergent Technologies, Inc.

ClusterCard, ClusterShare, Generic Print System, Shared Resource Processor, SRP, TeleCluster, and X-Bus are trademarks of Convergent Technologies, Inc.

BTOS is a trademark of Unisys Corporation.

AT, IBM, and IBM PC are registered trademarks of International Business Machines Corporation. IBM PC-AT, IBM PC-XT, and IBM PS/2 are trademarks of International Business Machines Corporation. UNIX is a registered trademark of AT&T. DEC is a registered trademark of Digital Equipment Corporation. VAX is a trademark of Digital Equipment Corporation.

# Page Status

<b>Page</b>	<b>Issue</b>
iii	Original
iv	Blank
v through xv	Original
xvi	Blank
xvii through xix	Original
xx	Blank
1-1 through 1-4	Original
2-1 through 2-2	Original
3-1 through 3-19	Original
3-20	Blank
4-1 through 4-4	Original
5-1 through 5-32	Original
6-1 through 6-6	Original
7-1 through 7-3	Original
7-4	Blank
8-1 through 8-16	Original
9-1 through 9-2	Original
10-1 through 10-21	Original
10-22	Blank
11-1 through 11-3	Original
11-4	Blank
12-1 through 12-2	Original
13-1 through 13-3	Original
13-4	Blank
14-1 through 14-2	Original
15-1 through 15-3	Original
15-4	Blank
A-1 through A-32	Original
B-1 through B-2	Original
C-1 through C-6	Original
D-1 through D-3	Original
D-4	Blank

## Page Status

---

<b>Page</b>	<b>Issue</b>
E-1 through D-5	Original
E-6	Blank
F-1 through F-2	Original
Glossary-1 through 9	Original
Glossary-10	Blank
Index-1 through 8	Original

# Contents

<b>About This Guide</b> .....	xvii
 <b>Part I</b>	
 <b>Section 1. Introduction to CTOS Clusters</b>	
<b>What is a Cluster?</b> .....	1-1
Workstations .....	1-1
Servers .....	1-2
Types of Cluster .....	1-2
<b>Daisy-Chain Cluster</b> .....	1-2
<b>TeleCluster</b> .....	1-4
 <b>Section 2. Requirements for Daisy-Chain Cluster</b>	
<b>Cluster Servers</b> .....	2-1
<b>Cluster Workstations</b> .....	2-1
<b>IBM Compatible PCs</b> .....	2-2
<b>Cable</b> .....	2-2
<b>Adapter Cables</b> .....	2-2
<b>Terminators</b> .....	2-2
<b>Software Requirements</b> .....	2-2
 <b>Section 3. Installing a Daisy-Chain Cluster</b>	
<b>Basic Site Preparation</b> .....	3-1
Safety and Electrical Code Requirements .....	3-1
Building Ground Requirements .....	3-2
Building Ownership Issues .....	3-2
Who Should Install the Cluster .....	3-2
<b>Planning the Cluster</b> .....	3-2
Conducting a Site Survey .....	3-3
Obtaining Floor Plans .....	3-3
Determining the Type of Workstations .....	3-3

# Contents

---

Selecting a Cluster Speed .....	3-4
Selecting the Cluster Cable Type .....	3-4
Determining the Maximum Cluster Cable Length .....	3-4
Determining the Maximum Number of Workstations ...	3-5
Identifying Workstation Locations .....	3-6
Selecting a Server Location .....	3-6
Identifying Cable Routes .....	3-6
Calculating the Total Cable Length .....	3-7
Completing and Maintaining Cluster Documentation ...	3-7
<b>Configuring the Cluster</b> .....	3-7
Calculating the Actual Maximum Cluster Cable Length .	3-8
Server at the End of the Cluster .....	3-9
Example .....	3-9
Server in the Middle of the Cluster .....	3-10
Example .....	3-11
<b>Connecting the Cluster</b> .....	3-12
Connecting a Server to the Cluster .....	3-13
Connecting a Workstation to the Cluster .....	3-15
Connecting a PC to the Cluster .....	3-16

## Section 4. Requirements for TeleCluster

<b>Cluster Servers</b> .....	4-1
<b>Cluster Workstations</b> .....	4-2
<b>IBM Compatible PCs</b> .....	4-2
<b>Cable</b> .....	4-2
<b>Terminators</b> .....	4-2
<b>TeleCluster Wall Outlets</b> .....	4-3
<b>TeleCluster Hub</b> .....	4-3
<b>Network Interface Unit</b> .....	4-3
<b>TeleCluster Adapter</b> .....	4-3
<b>TeleCluster Adapter Power Supply</b> .....	4-4
<b>Punchdown Blocks</b> .....	4-4
<b>Software Requirements</b> .....	4-4

## Section 5. Installing TeleCluster

<b>Basic Site Preparation</b> .....	5-1
Safety and Electrical Code Requirements .....	5-2
Preparing the Wiring Closet for the Hub .....	5-2
Telephone Cable Ownership Issues .....	5-2
Building Ownership Issues .....	5-2
Who Should Install TeleCluster .....	5-3

<b>Planning a TeleCluster Installation</b> .....	5-3
Conducting a Site Survey .....	5-3
Obtaining Floor Plans .....	5-4
Determining the Cable Type and Size .....	5-4
Unshielded Twisted Pair Cable .....	5-4
IBM Type 1, 2, 6, or 9 Cable .....	5-4
Selecting a Cluster Speed .....	5-4
Maximum Cable Lengths .....	5-5
Selecting a Hub Configuration .....	5-6
Determining the Number of Workstations .....	5-9
Selecting Workstation, Server, and Hub Locations .....	5-9
Workstations and Servers .....	5-9
Hubs .....	5-10
Identifying Cable Routes .....	5-10
Completing and Maintaining Network Documentation ..	5-10
<b>Installation Overview</b> .....	5-11
<b>Installing Hubs</b> .....	5-11
<b>Daisy-Chaining Hubs</b> .....	5-15
<b>Installing a Network Interface Unit</b> .....	5-16
<b>Installing RJ45 Jacks</b> .....	5-17
<b>Installing TeleCluster Adapters</b> .....	5-19
<b>Daisy-Chaining Workstations</b> .....	5-20
<b>Starting the Cluster</b> .....	5-23
<b>Troubleshooting</b> .....	5-23
Some Workstations Cannot Access the Server .....	5-24
No Workstations Can Access the Server .....	5-26
The TeleCluster has Intermittent Errors .....	5-28
Troubleshooting Workstations .....	5-28
The Adapter LED is Off .....	5-28
The Adapter LED Flickers .....	5-29
The Adapter LED is On .....	5-30
Troubleshooting the Hub .....	5-30
The Hub Cannot Locate the Server .....	5-30
Diagnosing Internal Hub Problems .....	5-31
<b>Specifications</b> .....	5-32
Physical Dimensions .....	5-32

## Part II

### Section 6. Introduction to Local Area Networks

<b>What is a LAN?</b> .....	6-1
<b>What is Ethernet?</b> .....	6-1

Ethernet Access Protocol .....	6-2
Ethernet Cable Segments .....	6-2
Types of Multidrop Segment Cable .....	6-3
Types of Link Segment Cable .....	6-4
Connecting Workstations to Ethernet Cable .....	6-4
<b>What Are Ethernet Networks Used For? .....</b>	<b>6-4</b>
<b>What Is Token Ring? .....</b>	<b>6-5</b>
Token Ring Access Protocol .....	6-5
The Unisys Implementation of Token Ring .....	6-5
<b>What Is Token Ring Used For? .....</b>	<b>6-6</b>

**Section 7. Requirements for an Ethernet Network**

<b>Cluster Servers .....</b>	<b>7-1</b>
<b>Cluster Workstations .....</b>	<b>7-1</b>
<b>Ethernet Modules .....</b>	<b>7-1</b>
<b>MAU .....</b>	<b>7-2</b>
<b>AUI Cable .....</b>	<b>7-2</b>
<b>Ethernet Cable .....</b>	<b>7-2</b>
<b>Terminators .....</b>	<b>7-2</b>
<b>Repeaters .....</b>	<b>7-2</b>
<b>ClusterCard .....</b>	<b>7-2</b>
<b>Software Requirements .....</b>	<b>7-3</b>

**Section 8. Installing an Ethernet Network**

<b>Basic Site Preparation .....</b>	<b>8-1</b>
Who Should Install the Network .....	8-1
Safety and Electrical Code Requirements .....	8-2
Building Ownership Issues .....	8-2
<b>Planning the Installation .....</b>	<b>8-2</b>
Conducting a Site Survey .....	8-3
Obtaining Floor Plans .....	8-3
Identifying Workstation Locations .....	8-3
Identifying Cable Routes .....	8-3
Calculating Total Trunk Cable Length .....	8-4
Identifying Network Component Locations .....	8-4
Creating a Network Schematic Diagram .....	8-4
Calculating the Number and Type of Network Components .....	8-5
Maintaining Records of the Network .....	8-5
<b>Configuring the Network .....</b>	<b>8-5</b>
Network Structural Requirements .....	8-5



Cable Characteristics .....	8-6
Maximum Number of Cable Segments .....	8-6
Maximum Number of Workstations .....	8-7
Maximum Configuration Examples .....	8-7
Network Configuration Rules .....	8-8
<b>Installation Overview .....</b>	<b>8-9</b>
<b>Safety Procedures .....</b>	<b>8-9</b>
<b>Network Grounding .....</b>	<b>8-10</b>
<b>Preinstallation Tests .....</b>	<b>8-11</b>
<b>Cable Segmentation Rules .....</b>	<b>8-11</b>
<b>Installing Ethernet Coaxial Cable .....</b>	<b>8-12</b>
<b>Installing Connectors and Terminators .....</b>	<b>8-12</b>
<b>Installing MAUs and AUI Cables .....</b>	<b>8-13</b>
<b>Modifying an Existing Network .....</b>	<b>8-14</b>
<b>Relocating or Removing Workstations .....</b>	<b>8-14</b>
<b>Extending a Cable Segment .....</b>	<b>8-14</b>
<b>Inserting Cable in an Existing Segment .....</b>	<b>8-15</b>
<b>Adding a New Cable Segment .....</b>	<b>8-15</b>
<b>Connecting a Cluster to an Ethernet Network .....</b>	<b>8-15</b>
<b>Section 9. Requirements for a Token Ring Network</b>	
Cluster Servers .....	9-1
Cluster Workstations .....	9-1
Token Ring Module .....	9-1
Cable .....	9-1
Wire Center .....	9-2
Repeaters .....	9-2
Software Requirements .....	9-2
<b>Section 10. Installing a Token Ring Network</b>	
<b>Basic Site Preparation .....</b>	<b>10-1</b>
Safety and Electrical Code Requirements .....	10-2
Preparing Wiring Closets .....	10-2
Preinstalled Cable .....	10-2
Building Ownership Issues .....	10-2
Who Should Install the Network .....	10-2
<b>Planning the Installation .....</b>	<b>10-3</b>
Conducting a Site Survey .....	10-3
Obtaining Floor Plans .....	10-3
Identifying Workstation Locations .....	10-4
Identifying Wiring Closet Locations .....	10-4

Determining the Number of Wire Centers .....	10-4
Selecting a Network Configuration .....	10-4
Identifying Repeater Locations (Optional) .....	10-5
Identifying Cable Routes .....	10-5
Determining Cable Lengths .....	10-5
Maintaining Network Documentation .....	10-6
<b>Configuring the Network .....</b>	<b>10-6</b>
Using a Single Wiring Closet .....	10-6
Maximum Lobe Length .....	10-7
How to Obtain Greater Lobe Length Maximums ..	10-8
Using Multiple Wiring Closets .....	10-9
The Maximum Drive Distance .....	10-9
How to Obtain Greater Maximum Drive	
Distances .....	10-10
Using Bridges .....	10-11
Simple Bridge .....	10-11
Parallel Bridge .....	10-12
Backbone Bridge .....	10-12
Using Repeaters .....	10-13
Copper Repeaters .....	10-14
Calculating Maximum Drive Distances	
(Repeated Ring) .....	10-15
Calculating Actual Drive Distances	
(Repeated Ring) .....	10-16
Fiber Optic Repeaters .....	10-17
Maximum Drive Length for Fiber Optic	
Ring Segments .....	10-17
<b>General Installation Procedures .....</b>	<b>10-17</b>
Safety Procedures .....	10-18
Network Grounding .....	10-18
Installing Ring Trunk Cable and Wire Centers .....	10-18
Installing Repeaters .....	10-19
Labelling Network Components .....	10-19
<b>Modifying an Existing Network .....</b>	<b>10-19</b>
Removing or Adding Workstations .....	10-20
Removing or Adding Wire Centers .....	10-20
Removing or Adding Repeaters .....	10-20
Splitting a Ring Into Separate Rings .....	10-20
Combining Separate Rings Into a Single Ring .....	10-21
<b>Connecting a Cluster to a Token Ring Network .....</b>	<b>10-21</b>

**Part III**

**Section 11. Introduction to Wide Area Networks**

<b>What Is a Wide Area Network?</b> .....	11-1
<b>WAN Connections Using X.21</b> .....	11-2
<b>WAN Connections Using RS-232</b> .....	11-2

**Section 12. Requirements for Using X.21**

<b>Cluster Servers</b> .....	12-1
<b>Cluster Workstations</b> .....	12-1
<b>Personal Computers</b> .....	12-1
<b>Communication Modules</b> .....	12-1
<b>Processor Boards</b> .....	12-2
<b>Data Communication Equipment (DCE)</b> .....	12-2
<b>Software Requirements</b> .....	12-2

**Section 13. Using the X.21 Interface**

<b>Connecting to an X.25 Network</b> .....	13-1
<b>Connecting to an X.21 DCE</b> .....	13-1
<b>X.21 Signals</b> .....	13-3

**Section 14. Requirements for Using RS-232**

<b>Cluster Servers</b> .....	14-1
<b>Cluster Workstations</b> .....	14-1
<b>Communications Modules</b> .....	14-1
<b>Cable</b> .....	14-2
<b>Modems</b> .....	14-2
<b>Software Requirements</b> .....	14-2

**Section 15. Using the RS-232 Interface**

<b>Connecting a Cluster to Other CTOS Clusters</b> .....	15-1
<b>Connecting Clusters By Modem</b> .....	15-1
<b>Connecting Clusters By Direct Cable Connection</b> .....	15-2
<b>Connecting a Cluster to Non-CTOS Systems</b> .....	15-3

## Contents

---

<b>Appendix A. Cables</b> .....	A-1
<b>Appendix B. Workstations and Servers</b> .....	B-1
<b>Appendix C. Network Software</b> .....	C-1
<b>Appendix D. Spur Clusters</b> .....	D-1
<b>Appendix E. Two-Wire Direct Interface (TDI)</b> .....	E-1
<b>Appendix F. Voice/Data TeleCluster</b> .....	F-1
<b>Glossary</b> .....	1
<b>Index</b> .....	1

# Figures

1-1.	Daisy-Chain Cluster .....	1-3
1-2.	TeleCluster .....	1-4
3-1.	Cluster with Server at End .....	3-8
3-2.	Cluster with Server in Middle .....	3-8
3-3.	Calculating Maximum Cable Lengths .....	3-10
3-4.	Connecting a Cluster Cable and Terminator .....	3-14
3-5.	Connecting Cluster Cables .....	3-15
3-6.	Installing a DB9-RJ45 Adapter and Terminator .....	3-18
3-7.	Installing two DB9-RJ45 Cables .....	3-19
5-1.	Single Hub TeleCluster .....	5-7
5-2.	TeleCluster with Daisy-Chained Hubs .....	5-8
5-3.	Punchdown Block and Wire Pairs .....	5-12
5-4.	Mounting a Hub .....	5-13
5-5.	Connecting a 12-Pair Cable .....	5-14
5-6.	Wiring the Punchdown Block .....	5-15
5-7.	Connecting the NIU .....	5-17
5-8.	Installing an RJ45 Jack .....	5-18
5-9.	Installing a TeleCluster Adapter .....	5-19
5-10.	Installing a DB9-RJ45 Adapter Cable .....	5-21
5-11.	Hub Front Panel .....	5-23
5-12.	Some Workstations Cannot Access the Server .....	5-25
5-13.	No Workstations Can Access the Server .....	5-27
5-14.	Hub Error Codes .....	5-32
6-1.	An Ethernet Network .....	6-3
6-2.	A Token Ring Network .....	6-6
8-1.	Maximum Data Path Between Two Workstations .....	8-7
8-2.	A Network with Maximum Data Paths .....	8-8
8-3.	MAU Marks in Thicknet Cable .....	8-13
8-4.	Connecting an Ethernet Module .....	8-16

# Contents

---

10-1.	Using a Single Wiring Closet .....	10-7
10-2.	Using Multiple Wiring Closets .....	10-9
10-3.	Single Bridge .....	10-11
10-4.	Parallel Bridge .....	10-12
10-5.	Backbone Bridge .....	10-13
10-6.	Repeater Pairs .....	10-14
10-7.	Repeaters and Maximum Drive Distances .....	10-15
10-8.	Connecting a Token Ring Module .....	10-21
13-1.	Connecting the X.21 Port .....	13-2
A-1.	Cluster Cable Pin Assignments .....	A-3
A-2.	Cluster Cable Drawing .....	A-4
A-3.	Terminator Pin Assignments .....	A-5
A-4.	Terminator Drawing .....	A-6
A-5.	DB9-RJ45 Adapter Pin Assignments .....	A-7
A-6.	DB9-RJ45 Adapter Drawing .....	A-8
A-7.	RJ45 Terminator Pin Assignments .....	A-9
A-8.	RJ45 Terminator Drawing .....	A-9
A-9.	RJ11-RJ45 Adapter Pin Assignments .....	A-12
A-10.	RJ11-RJ45 Adapter Drawing .....	A-13
A-11.	Parallel Printer Cable Pin Assignments .....	A-17
A-12.	Parallel Printer Cable Drawing .....	A-18
A-13.	Parallel Scanner Cable Pin Assignments .....	A-20
A-14.	Modem Cable Pin Assignments .....	A-21
A-15.	Modem Cable Drawing .....	A-22
A-16.	Asynchronous Crossed Cable Pin Assignments .....	A-23
A-17.	Asynchronous Crossed Cable for XON/XOFF .....	A-24
A-18.	Asynchronous Crossed Cable Drawing .....	A-26
A-19.	Synchronous Crossed Cable Pin Assignments .....	A-28
A-20.	Synchronous Crossed Cable Drawing .....	A-29
A-21.	Serial Printer/Scanner Cable Pin Assignments .....	A-30
A-22.	Serial Printer/Scanner Cable Drawing .....	A-31
C-1.	CTOS Network Software .....	C-2
D-1.	A Spur Cluster .....	D-1
E-1.	A TDI Network .....	E-4
E-2.	TDI Connector and Signals .....	E-4

# Tables

3-1.	Peak Maximum Cable Lengths .....	3-5
3-2.	Maximum Number of Workstations .....	3-5
3-3.	Actual Maximum Cable Length Formulas .....	3-9
3-4.	Actual Maximum Cable Length (Segment) .....	3-11
5-1.	Maximum Lengths (Unshielded Twisted Pair) .....	5-5
5-2.	Maximum Lengths (Type 1, 2, 6, or 9 Cable) .....	5-6
5-3.	Maximum Number of Workstations .....	5-9
5-4.	Hub Channel Positions on the Punchdown Block .....	5-12
5-5.	Daisy Chain Maximum Length .....	5-21
5-6.	TeleCluster Physical Dimensions .....	5-32
8-1.	Cable Characteristics .....	8-6
8-2.	Maximum Segments Between Two Workstations .....	8-6
10-1.	Maximum Lobe Length .....	10-8
10-2.	Lobe Length Formulas .....	10-8
10-3.	Maximum Drive Distance Formulas .....	10-10
10-4.	Maximum Drive Distance (Repeaters) .....	10-16
A-1.	Standard (100 Ohm) Cable Specifications .....	A-2
A-2.	Extended Length (140 Ohm) Cable Specifications .....	A-3
A-3.	22 AWG UTP Cable Specifications .....	A-10
A-4.	24 AWG UTP Cable Specifications .....	A-11
A-5.	26 AWG UTP Cable Specifications .....	A-11
A-6.	Type 1 Cable Specifications .....	A-14
A-7.	Type 2 Cable Specifications (Data Pairs) .....	A-14
A-8.	Type 2 Cable Specifications (Voice Pairs) .....	A-15
A-9.	Type 6 Cable Specifications .....	A-15
A-10.	Type 9 Cable Specifications .....	A-16
B-1.	Workstation Cluster Speeds, Ports +5V Support .....	B-1
E-1.	TDI Maximum Cable Length .....	E-3





# About This Guide

The purpose of this guide is to provide assistance in the planning and installation of a CTOS cluster, and to provide assistance in connecting a cluster to other networks.

## Scope

This guide includes general guidelines for designing the physical layout of clusters, as well as Ethernet and token ring networks. It provides information about required hardware for these networks and for networks accessed through the RS-232 and X.21 interfaces. It is not intended to provide detailed information about operating system or network software.

## Audience

This guide is written for the following technical personnel:

- System administrators
- Customer MIS personnel
- Unisys Customer Service personnel (CSEs)
- PBX technicians

## Organization

The manual is divided into three parts, each of which is divided into several sections.

- In Part I, Sections 1 through 5 provide equipment requirements, planning information, and installation instructions for two cluster types: daisy-chain cluster and TeleCluster.

- In Part II, Sections 6 through 10 provide equipment requirements, planning information, and installation instructions for two types of standard local area networks (LANs) commonly used with clusters: Ethernet and token ring.
- In Part III, Sections 11 through 15 provide equipment requirements, planning information, and installation instructions for two electrical interfaces used to connect clusters to wide area networks (WANs): X.21 and RS-232.

## Terminology

In this guide, the term *cluster* refers only to a CTOS cluster, unless specified otherwise in the text.

In addition the term *server* refers to the cluster server. *Server* replaces the term *master* used in some older documentation.

Finally, the term *TeleCluster* refers to Advanced TeleCluster. The older voice over data TeleCluster product is referred to as *voice/data TeleCluster*.

## Related Documentation

For more information see the following hardware and software documentation:

- ***CTOS Workstations Installation Guide***
- ***XE-530 Shared Resource Processor Hardware Installation Guide***
- ***Unisys Building Wiring Guide***
- ***USERNET Token Ring Network Planning Guide***
- ***Unisys LAN Planning and Installation Guide***
- ***Unisys Cable Buyer's Guide***
- ***International Standard ISO 8802-3: 1989 (ANSI/IEEE Std 802.3: 1988)***
- ***ANSI/IEEE Std 802.3 Supplements B, C, D, E, and I to ISO 8802-3: 1989)***

- ***IEEE Standard 802.5-1989***
- ***CTOS System Administration Guide***
- ***CTOS BNet II Installation, Configuration, and Administration Guide***
- ***Modem Service Operations and Programming Guide***
- ***CTOS Generic Print System Administration Guide***
- ***BTOS X.21 Circuit Switching Service Operations Guide***
- ***BTOS ClusterShare SNA 3270 Emulator Installation and Operations Guide***
- ***BTOS Multiple Gateway Server Operations and Programming Guide***
- ***BTOS SNA BNet Transport Service Operations Guide***
- ***BTOS SNA BNet Transport Relay Operations Guide***
- ***BTOS SNA Transport Operations and Programming Guide***
- ***BTOS TCP/IP Operation and Programming Guide***
- ***BTOS Virtual Terminal Emulator (VTE) Operations Guide***
- ***BTOS Burroughs Multipoint Communications Service (BMULTI) Operations and Programming Guide***
- ***BTOS DCA Transport Administration Guide***
- ***BTOS Enhanced SNA Emulator Operations and Programming Guide***
- ***BTOS X.25 Gateway Operations and Programming Guide, Release 9.0***



# Part I



# Section 1

## Introduction to CTOS Clusters

This section describes the CTOS cluster: it tells what a cluster is and what the different types of cluster are.

*Note: In this section, and throughout this guide, the term “cluster” refers to a CTOS cluster, unless otherwise specified. Also, the term “TeleCluster” refers to Advanced TeleCluster, not to the older voice / data TeleCluster product.*

### What is a Cluster?

A cluster is a computer network made up of workstations and a server connected by cable through their RS-422 or RS-485 ports. In a cluster, the workstations can communicate with the server to use server resources, such as disk storage, printers, modems, and connections to networks outside the cluster. (Workstations in a cluster generally do not communicate directly, but instead communicate via the server.)

What separates a CTOS cluster from other computer networks is that support for the cluster is built directly into each workstation and into the CTOS operating system itself. Every workstation and server provides the RS-422 or RS-485 port required for a cluster, and the CTOS operating system provides the required software support. As a result, since no extra network hardware or software is required, a cluster is very cost effective, easy to install, and easy to use.

### Workstations

The workstation is the “building block” of the cluster. Workstations are intended to function in a cluster rather than as standalone systems, although they can function as standalones.

The workstations used in a cluster are usually proprietary CTOS systems. However, IBM-compatible PCs can be used in a cluster if the appropriate adapter board and software are installed (see Section 2).

### Servers

Any workstation with a hard disk can be used as a cluster server. However, a common practice is to use the more powerful models as servers, and less powerful models as cluster workstations.

In addition to workstations, another type of system can be used as a cluster server: the shared resource processor. This is a dedicated cluster server that provides enhanced processing and storage facilities.

### Types of Cluster

In all clusters, workstations are connected together through their RS-422 or RS-485 ports. However, the cabling method used to connect these ports can vary from cluster to cluster. A cluster can be cabled by using

- A daisy-chain cable between workstations (daisy-chain cluster)
- Telephone cable routed to a central hub (TeleCluster)

Both of these types of cluster are described below.

### Daisy-Chain Cluster

In a daisy-chain cluster, cluster cable is daisy-chained from workstation-to-workstation (see Figure 1-1). Data flows through the daisy-chain bus and through the RS-422 or RS-485 port of every workstation in the cluster.

*Note: Spur cluster, an older type of daisy-chain cluster, is described in Appendix D.*



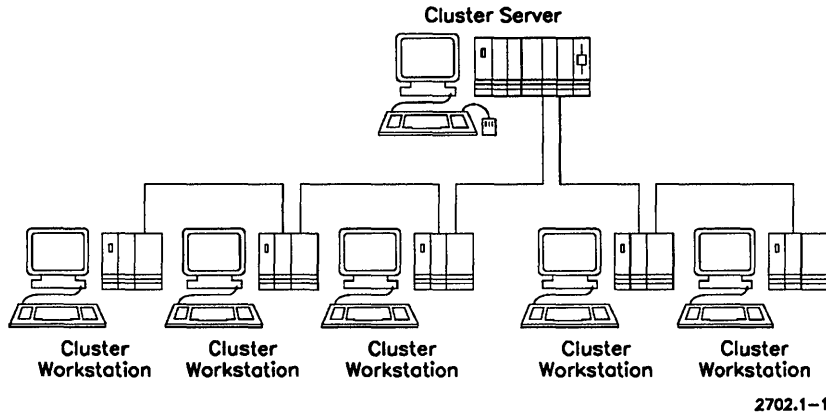


Figure 1-1. Daisy-Chain Cluster

The daisy-chain cabling method is a simple and inexpensive way to connect workstations that are close together. If a cluster has just a few workstations, and workstations are not likely to be added or moved, daisy-chaining might be the best cabling method.

The drawback of daisy-chaining a cluster is that a daisy-chained cluster must be shut down whenever a workstation is added to or removed from the cluster. Furthermore, moving a workstation requires the moving or installing of cluster cable. As a result, this cabling method may be less desirable for installations in which workstations are moved frequently.

Another drawback is that a system malfunction at one workstation in the cluster can shut down the entire cluster. Moreover, if a workstation is turned off, none of the workstations down the cluster can access the server. This makes daisy-chaining less desirable for applications in which continuous network operation is critical.

## TeleCluster

TeleCluster connects each of the workstations in a cluster to a central hub, which is responsible for routing data through the cluster (see Figure 1-2). A key feature of TeleCluster is its ability to use existing telephone cable (a spare wire pair is required) to link workstations to the hub.

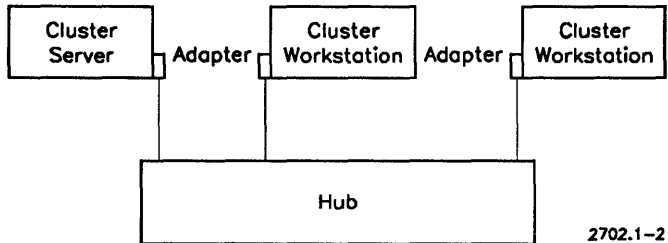


Figure 1-2. TeleCluster

TeleCluster uses a building's existing telephone cable. There are two benefits to this: (1) you don't have to buy and install cable; (2), you can install a cluster workstation wherever you have a phone line with a spare wire pair. This makes TeleCluster well suited for applications that require flexibility.

With TeleCluster, workstations can be added to or removed from the cluster without affecting cluster operation. Moreover, a failure at one cluster workstation will not affect cluster operation. This makes TeleCluster suitable for applications requiring continuous network operation.

However, if you use TeleCluster, you may have to resolve cable ownership issues before using TeleCluster with existing telephone wiring.

## Section 2

# Requirements for Daisy-Chain Cluster

This section describes the hardware and software required for installing a daisy-chain cluster.

Typical hardware requirements include one cluster server, one or more cluster workstations, cluster cable, and two cable terminators. If you want to use IBM compatible PCs in the cluster, you'll also need a ClusterCard for each PC.

Typical software requirements include the CTOS operating system and the ClusterShare software required for ClusterCard.

## Cluster Servers

Each cluster must have one and only one cluster server. Any CTOS/BTOS workstation or shared resource processor that has a hard disk can be used as a server. However, it is a common practice to use the more powerful workstations or shared resource processors as cluster servers.

You should be aware that workstations and shared resource processors have varying capabilities regarding cluster speed and the number of cluster workstations they can support. These capabilities are listed in Appendix B "Workstations and Servers".

## Cluster Workstations

Any CTOS/BTOS workstation can be used as a cluster workstation. (Shared resource processors are normally used as servers, rather than as workstations.)

### IBM Compatible PCs

The following PCs can be used in a cluster:

- PCs with an XT-bus (requires an XT-bus ClusterCard)
- PCs with an AT-bus (requires an AT-bus ClusterCard)

### Cable

The cluster server and workstations are connected together by cluster cable. Two different types of cable can be used:

- Standard cable (100 ohm)
- Extended length cable (140 ohm)

See Appendix A, "Cables," for cable specifications.

*Note: You must use only one type of cluster cable in a cluster.*

### Adapter Cables

DB9-RJ45 adapter cables are required for each PC with an AT-bus ClusterCard installed. (See Appendix A, "Cables", for specifications.) ClusterCards at the end of a daisy chain require only one adapter cable; ClusterCards in the middle of a daisy chain require two adapter cables.

### Terminators

Each daisy-chain cluster requires two terminators, one at each end of the daisy chain. The impedance of the terminator must match the impedance of the cable. For example, 100 ohm cable requires 100 ohm terminators.

### Software Requirements

The following software is required:

- Server OS and workstation OS.
- ClusterShare software (if PCs are connected to the cluster)

## Section 3

# Installing a Daisy-Chain Cluster

This section provides information about planning and installing a new cluster, as well as adding to an existing cluster.

This section contains information on the following topics:

- Site preparation
- Planning the cluster
- Configuring the cluster
- Connecting the cluster

*Note: Even if you are familiar with clusters, you should review the cabling information, since some of the rules have been revised.*

## Basic Site Preparation

To prepare your site for a cluster installation, you must

- Make sure the planned installation meets all applicable safety and electrical codes
- Resolve building ownership issues
- Employ a qualified installer

## Safety and Electrical Code Requirements

When you install cluster cable, you must make sure that the installation complies with national and local safety and electrical codes. Contact your local building code authority for complete code requirements.

### Building Ground Requirements

The building must have AC safety grounds with continuous low impedance. Ground potential difference between cluster cabling and workstations must be measured prior to connecting a workstation to the cabling. (The potential difference must not exceed 1V ac.)

### Building Ownership Issues

Building ownership issues should be resolved before installing a cluster. For example, if the building is leased rather than owned, you should be aware that some lease arrangements impose restrictions on cable installations

### Who Should Install the Cluster

The cluster installer should be familiar with cluster installation, and should be able to measure voltages between the cluster cable and a workstation. A knowledge of applicable building and wiring codes is required for installing cable.

## Planning the Cluster

To plan a cluster, follow these steps:

1. Conduct a site survey.
2. Obtain floor plans or building plans.
3. Determine the type of the workstations to be installed.
4. Select a cluster speed.
5. Select a cluster cable type.
6. Determine the maximum cluster cable length.
7. Determine the maximum number of workstations.
8. Identify workstation locations.
9. Select a server location.
10. Identify cluster cable routes.

11. Calculate the total cable length.
12. Complete and maintain cluster documentation.

Each of these steps are described below in more detail.

### Conducting a Site Survey

In a site survey, an installation planner assesses the building to determine where to install cable, taking into consideration the location of power sources, risers, conduits, cable trays, fire walls, etc., as well as the existence of special hazards or restrictions. Normally, a site survey requires the assistance of the building site manager, or some other building authority who has a thorough knowledge of the building.

### Obtaining Floor Plans

Obtain a current set of floor plans from the building facilities manager or other appropriate source. Floor plans are useful for diagramming the layout of cluster cable and workstations.

### Determining the Type of Workstations

If the cluster server and workstations have been selected and purchased, or if you must use existing equipment, you must determine the maximum cluster speed of each workstation, as well as the cluster port type: RS-422 or RS-485. (See Appendix B, "Workstations and Servers.") You'll need this information when you select a cluster speed and cluster size.

If the cluster equipment has not been decided upon, consider the cluster port type and cluster speed supported by each workstation before making a decision. Using workstations with RS-422 ports will limit cluster size and speed.

### Selecting a Cluster Speed

Three cluster speeds are available:

- 307 Kbps
- 1.8 Mbps
- 3.7 Mbps

When you select a cluster speed, you must make sure that each workstation in the cluster is able to support that speed. In addition, you must make sure the version of the operating system installed in the cluster server supports the desired cluster speed.

*Note: The 3.7 Mbps speed will decrease the maximum cable length by about 50%.*

### Selecting the Cluster Cable Type

Two types of cluster cable are available:

- Standard (100 ohm)
- Extended length (140 ohm)

If you are using existing cluster cable, determine whether the cable is standard cluster cable or extended length cable (see Appendix A, “Cables” for specifications). Older installations might have a third cable type: low-speed cable.

*Note: If you add more cable to an existing cable run, make sure that the cable you add is the same type of cable.*

If you are not adding to an existing cable, you should determine the cable length requirements for your cluster before deciding on the cable type. (Allow for future expansion.) Refer to Table 3-1 for the distances supported by each cable type.

### Determining the Maximum Cluster Cable Length

The actual maximum cable length allowed for a cluster varies from cluster to cluster, because it depends on cluster speed, the number of workstations, and the type of workstations. (See “Cluster Configuration” for instructions on determining the maximum cable length.)



**Table 3-1. Peak Maximum Cable Lengths\***

Cable Type**	Cluster Speed (Mbps)	End to End (Server In Middle)	Server to End Workstation
Standard	1.8	1200 ft	800 ft
Standard	3.7	600 ft	400 ft
Extended Length	1.8	3000 ft	2400 ft
Extended Length	3.7	1600 ft	1200 ft

\* These peak maximums assume a cluster with one server connected to one workstation. In most clusters, the peak maximum must be further reduced. (See below under "Cluster Configuration" for reduction rules.)

\*\* Maximums for low-speed cable (307 Kpbs) are the same as those for standard cable.

## Determining the Maximum Number of Workstations

The maximum number of workstations allowed in a particular cluster depends on the server type, and on whether the workstations in the cluster use RS-422 ports or RS485 ports. See Appendix B, "Workstations and Servers," for a list of workstations and their cluster ports.

**Table 3-2. Maximum Number of Workstations**

Server Type	All Workstations Have RS-485	Max Number of Workstations*
Workstation	Yes	32
Workstation	No	16
XE-530	Yes	128
XE-530	No	112
XE-520	NA	64

\* This number includes the server.

**Note:** *These are hardware limits only. The operating system version or application program may further reduce these maximums.*

### Identifying Workstation Locations

On the floor plans, mark the locations where workstations are to be installed. Indicate the workstation type on the floor plans.

**Note:** *There must be at least 25 feet of cable between workstations.*

### Selecting a Server Location

Using the marked up floor plans, choose a location for the server. There are two basic configurations: you can locate the server at one end of the cluster, or you can locate it somewhere in the middle.

The key factors in selecting a server location are user convenience and cable length restrictions. (Locating the server near the middle of the cluster allows you a greater overall cable length.) See below under “Configuring the Cluster” for more details.

### Identifying Cable Routes

From the marked up floor plans, identify the cable routes, and mark the cable lengths. (Be sure to account for any vertical cable runs.) When you plan the cable layout

- Make sure you don't exceed the maximum length allowed for the cluster (see below under “Configuring the Cluster”)
- Make sure that the cluster cable is routed separately from ac power cable to minimize electromagnetic interference. TeleCluster cable should be kept the following distances from power cables:
  - 3 inches (75 mm) from ac cables with 2 kVA or less
  - 12 inches (300 mm) from ac cables with 2 kVA to 5 kVAO
  - 40 inches (1 meter) from ac cables with 5 kVA or greater
  - 5 inches (130 mm) from fluorescent fixtures
- Make sure there is at least 25 feet of cable between workstations

### Calculating the Total Cable Length

From the marked-up floor plans, calculate the total length of cable required to connect the workstations in the cluster. Compare this total with the maximum length allowed for the cluster (see “Configuring the Cluster”).

### Completing and Maintaining Cluster Documentation

Date the final version of the marked-up floor plans and keep them as an “as-built” record of the cluster. Copies of this version may be made and used as working copies when network expansion or modification is undertaken. Be sure to update the network floor plans after modifying or expanding the network.

The marked-up floor plans and other network documentation should be maintained by the network administrator.

### Configuring the Cluster

There are two basic cluster configurations (see Figures 3-1 and 3-2):

- Server at the end of the cluster
- Server in the middle of the cluster

The key factor to consider when choosing a configuration is the maximum cable length. If the cluster extends over a large area, for example, you may need to install the server in the middle of a cluster, because this configuration provides the greatest maximum cable length.

**Note:** *You can install the server anywhere in the middle, provided that you don't exceed the cable length maximums between the server and the end workstation.*

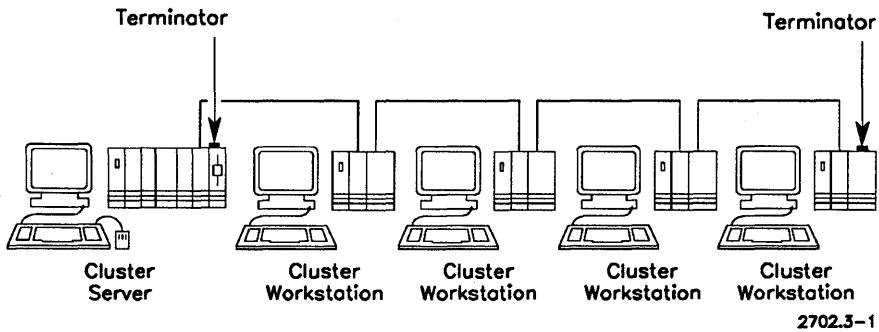


Figure 3-1. Cluster with Server at End

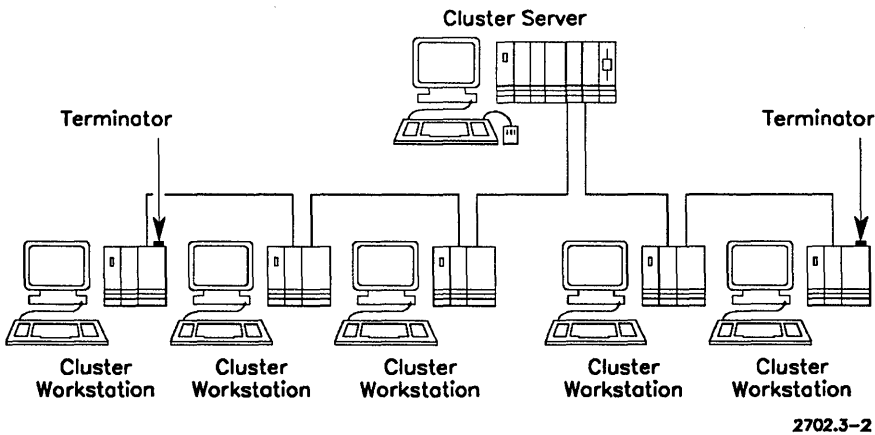


Figure 3-2. Cluster with Server in Middle

## Calculating the Actual Maximum Cluster Cable Length

The actual maximum length for a cluster is the peak maximum listed in Table 3-1 minus a reduction. (The peak maximum must be reduced to compensate for the signal degradation that occurs when signals pass through RS-422/RS-485 ports and over cable sections that differ in impedance.)

The method of calculating the actual maximum length differs slightly, depending on the configuration used. The calculations required for each configuration are described below.

### Server at the End of the Cluster

To calculate the actual maximum cable length allowed for your cluster, use the formulas provided in Table 3-3 to determine the reduction required by the cluster. Subtract the reduction from the peak maximum for the cluster (see Table 3-1): the result is the actual maximum cable length.

**Table 3-3. Actual Maximum Cable Length Formulas**

Formula
$\text{Reduction} = \text{peak maximum} \times (R^* \times 1\% + S^{**} \times 0.5\% + T^{***} \times 2\%)$
$\text{Actual maximum length} = \text{Peak maximum} - \text{Reduction}$

- \* R = the number of workstations with RS-422 ports (include the server).
- \*\* S = the number of workstations with RS-485 ports (include the server).
- \*\*\* T = the number of locations where cable of different manufacture is connected. (If the cable is from the same manufacturer, this number = 0. See the following note.)

**Note:** *If different manufactures of cable are used, you must find out the number of locations where different cable is connected. The connection can be direct (cable to cable), or indirect (different cables connected to a single workstation.)*

### Example

A cluster is configured in the following way:

- 10 workstations with RS-422 ports
- 4 workstations with RS-485 ports
- A cluster speed of 1.8 Mbps
- Standard 100 ohm cable from the same manufacturer is used

## Installing a Daisy-Chain Cluster

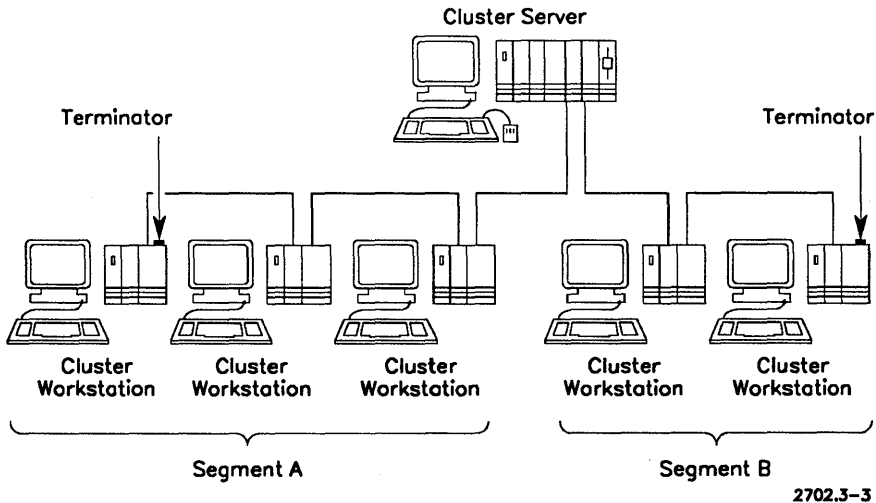
Using Table 3-1, the peak maximum length for this cluster is 800 feet. Calculate the actual maximum using the formulas in Table 3-3:

$$\begin{aligned}\text{Reduction} &= 800 \text{ feet} \times [(10 \times 1\%) + (4 \times 0.5\%)] \\ &= 800 \text{ feet} \times (12\%) \\ &= 96 \text{ feet}\end{aligned}$$

$$\begin{aligned}\text{Actual maximum length} &= 800 \text{ feet} - 96 \text{ feet} \\ &= 704 \text{ feet}\end{aligned}$$

### Server in the Middle of the Cluster

If the server is located somewhere in the middle of the cluster, you must calculate the actual cable length maximum separately for the cable segments on either side of the server (see Figure 3-3).



**Figure 3-3. Calculating Maximum Cable Lengths**

To calculate the actual maximum length of Segment A, which is the longer cable segment (see Figure 3-3),

1. Find the peak maximum listed in Table 3-1. Use the "Server to End Workstation" column.
2. Calculate the actual maximum cable length for Segment A using the formulas in Table 3-4 below.

**Table 3-4. Actual Maximum Cable Length (Segment)**

Formula
Reduction = Segment peak maximum x (R* x 1% + S** x 0.5% + T*** x 2%)
Actual maximum length = Segment peak maximum - Reduction

- \* R = the number of workstations with RS-422 ports in Segment A (include the server).
- \*\* S = the number of workstations with RS-485 ports in Segment A (include the server).
- \*\*\* T = the number of locations where cable of different manufacture is connected in Segment A. (If the cable is from the same manufacturer, this number = 0. See the note under Table 3-3.

To calculate the actual maximum length of Segment B (see Figure 3-3),

1. Find the peak maximum in Table 3-3 for the entire cluster. Use the "End Workstation to End Workstation" column.
2. Determine the peak maximum for Segment B. (The Segment B peak maximum is the cluster's end-to-end peak maximum minus Segment A's peak maximum.)
3. Calculate the actual maximum cable length for Segment B using the formulas in Table 3-4.

### Example

A cluster is configured in the following way:

- 10 workstations with RS-422 ports in segment A
- 10 workstations with RS-485 ports in segment B
- A cluster speed of 1.8 Mbps
- Standard 100 ohm cable from the same manufacturer is used

### Segment A

Using Table 3-1, the peak maximum length for segment A is 800 feet. Calculate the actual maximum using the formulas in Table 3-4:

$$\begin{aligned}\text{Reduction} &= 800 \text{ feet} \times (10 \times 1\%) \\ &= 800 \text{ feet} \times (10\%) \\ &= 80 \text{ feet}\end{aligned}$$

$$\begin{aligned}\text{Actual maximum length} &= 800 \text{ feet} - 80 \text{ feet} \\ &= 720 \text{ feet}\end{aligned}$$

### Segment B

Using Table 3-1, the peak maximum length for segment B is 400 feet (1200 feet - 800 feet).. Calculate the actual maximum using the formulas in Table 3-4:

$$\begin{aligned}\text{Reduction} &= 400 \text{ feet} \times (10 \times 0.5\%) \\ &= 400 \text{ feet} \times (5\%) \\ &= 20 \text{ feet}\end{aligned}$$

$$\begin{aligned}\text{Actual maximum length} &= 400 \text{ feet} - 20 \text{ feet} \\ &= 380 \text{ feet}\end{aligned}$$

## Connecting the Cluster

After the cable layout is finished, you can connect the cluster. Connecting the cluster consists of

- Connecting a server
- Connecting workstations
- Connecting PCs (optional)

Each of these procedures is described below.



## Connecting a Server to the Cluster

To connect a server,

1. Install the server as directed by the appropriate hardware installation guide.
2. Install the operating system and other required software (see the *CTOS System Administration Guide*).
3. Set the server for the appropriate cluster speed: 307 Kbps, 1.8 Mbps, or 3.7 Mbps. See the *CTOS System Administration Guide* for instructions on how to do this. Make sure that the server and all the workstations in the cluster can support the selected speed.
4. Connect the cluster cables to the workstations and to the server, but do not power on the workstations or server.
5. With the workstations and server plugged into ac power outlets, but powered off, check the ac ground potential difference between the server and the cluster cables that are to be connected to the server.

To do this, remove the cluster cable from one of the cluster ports on the server and measure the voltage between the server chassis and the cable shield. There must not be more than 0.01V ac between the cable shield and shared resource processor servers, or 1.0V ac between the cable shield and the workstation chassis (if a workstation is used as a server). The resistance between server and cable shield must not exceed 1 ohm.

If the server is in the middle of the cluster, repeat step 5 for the cluster cable connected to the remaining cluster port.

---

### CAUTION

---

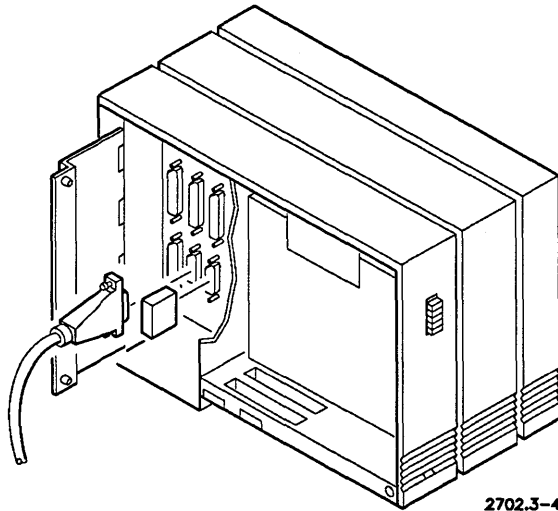
Ground potential differences exceeding the above specifications can damage electronic components and may result in erratic cluster performance.

---

## Installing a Daisy-Chain Cluster

---

6. If the server is located at one end of the cluster, connect the cluster cable to one of the RS-422 or RS-485 ports on the server, and install a terminator on the other port (make sure the terminator impedance matches the cable impedance). It makes no difference which port is used for the cable and which is used for the terminator. (See Figure 3-4.)



**Figure 3-4. Connecting a Cluster Cable and Terminator**

If the cluster is configured with the server in the middle of the cluster, connect a cluster cable to each of the RS-422 or RS-485 ports (see Figure 3-5).

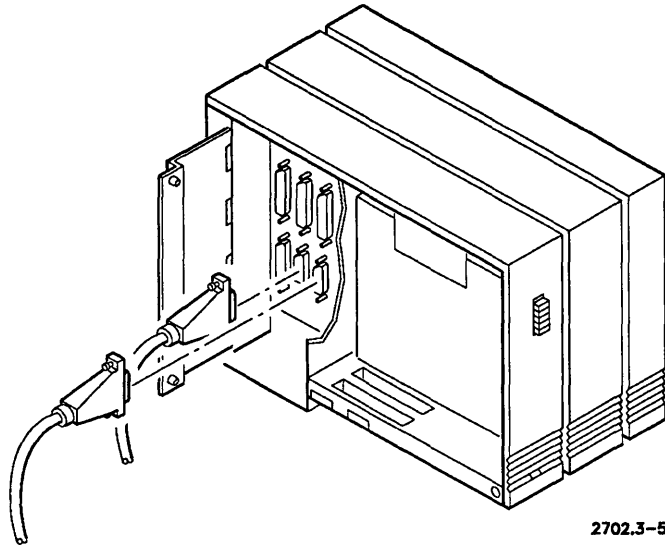


Figure 3-5. Connecting Cluster Cables

### Connecting a Workstation to the Cluster

To connect a workstation,

1. Install the workstation as directed by the appropriate hardware installation guide.
2. Install the operating system and other required software (see the *CTOS System Administration Guide*).
3. Make sure that the workstation can support the cluster speed set at the server. (Workstations automatically use the cluster speed set at the server if they can support that speed).
4. Connect the cluster cables to the workstations and to the server, but do **not** power on the workstations or server.
5. With the workstations and server plugged into ac power outlets, but powered off, check the ac ground potential difference between the workstation and the cluster cables that are to be connected to the workstation.

## Installing a Daisy-Chain Cluster

---

To do this, remove the cluster cable from one of the cluster ports on the workstation and measure the voltage between the workstation chassis and the cable shield. There must not be more than 1.0V ac between the cable shield and the workstation chassis. The resistance between workstation and cable shield must not exceed 1 ohm.

If the workstation is not at the end of the cluster, repeat step 5 for the cluster cable connected to the remaining cluster port.

---

### CAUTION

---

Ground potential differences exceeding the above specifications can damage electronic components and may result in erratic cluster performance.

---

6. If the workstation is located at one end of the cluster, connect the cluster cable to one of the RS-422 or RS-485 ports on the workstation, and install a terminator on the other port. Make sure the terminator impedance matches the cable impedance. It makes no difference which port is used for the cable and which is used for the terminator. (See Figure 3-4 above.)

If the workstation is not at the end of the cluster, connect a cluster cable to each of the RS-422 or RS-485 ports (see Figure 3-5 above).

## Connecting a PC to the Cluster

To connect a PC,

1. Install a ClusterCard adapter in the PC as directed by the ClusterCard installation guide. (See Section 2 for a list of the ClusterCards available.)

**Note:** *All ClusterCards support a cluster speed of 1.8 Mbps. However, if you want to use a cluster speed of 3.7 Mbps, you must use an AT-bus ClusterCard installed in an 80386-based (or 80486-based) PC running at 20 MHz or faster.*

2. Install the ClusterShare software in the PC and in the cluster server (see the *ClusterShare Administrator's Guide*).

3. Connect the cluster cables to the workstations, to the server, and to the PC but do **not** power on the workstations, server, or PC.
4. With the workstations, server, and PC plugged into ac power outlets, but powered off, check the ac ground potential difference between the PC and the cluster cables that are to be connected to the PC.

To do this, remove the cluster cable from one of the cluster ports on the PC and measure the voltage between the PC chassis and the cable shield. There must not be more than 1.0V ac between the cable shield and the PC chassis. The resistance between PC and cable shield must not exceed 1 ohm.

If the PC is not at the end of the cluster, repeat step 4 for the cluster cable connected to the remaining cluster port.

---

### CAUTION

---

Ground potential differences exceeding the above specifications can damage electronic components and may result in erratic cluster performance.

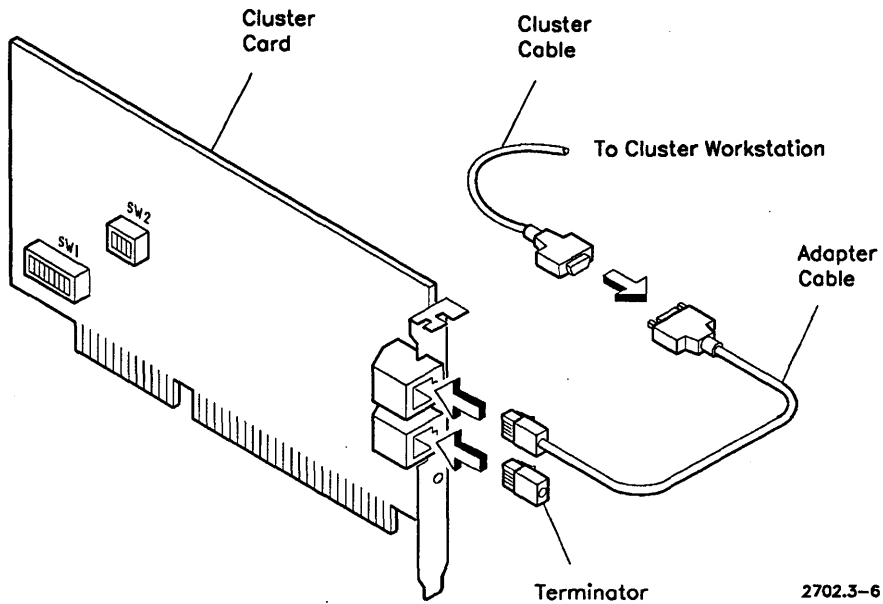
---

5. If the PC has an AT-bus ClusterCard, and the PC is at the end of a cluster, connect one DB9-RJ45 adapter cable to the either of the two ClusterCard ports (see Figure 3-6). Connect a terminator to the remaining port.

**Note:** *An RJ45 terminator is available for 100 ohm cables. If the cluster has 140 ohm cable, you must install a second DB9-RJ45 adapter in the ClusterCard and plug a 140 ohm terminator into the adapter.*

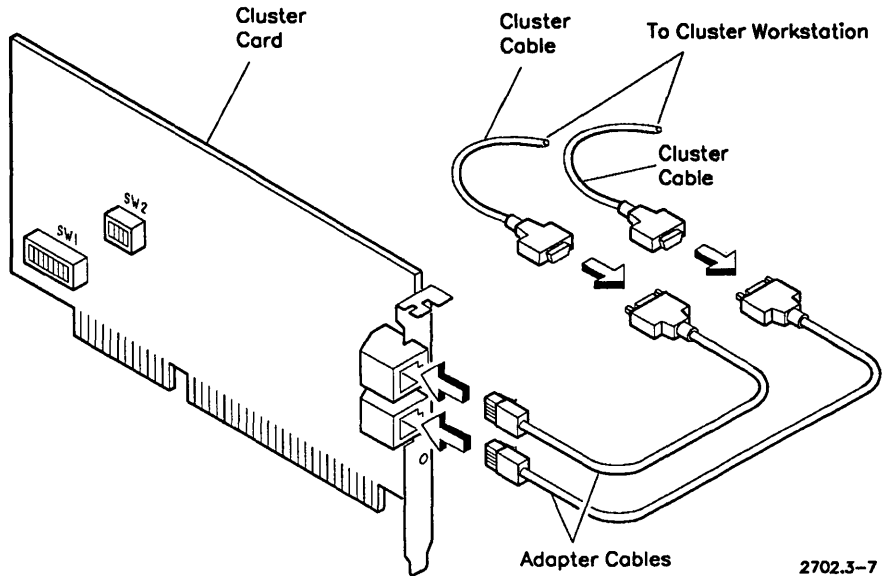
## Installing a Daisy-Chain Cluster

---



**Figure 3-6. Installing a DB9-RJ45 Adapter and Terminator**

6. If the PC has an AT-bus ClusterCard, and is in the middle of a cluster, connect two DB9-RJ45 adapter cables to the ClusterCard. Then connect the cluster cables to the adapter cables. (See Figure 3-7.)



**Figure 3-7. Installing two DB9-RJ45 Cables**

7. If the PC has an XT-bus ClusterCard, and is at the end of a cluster, connect the cluster cable to either of the RS-422 or RS-485 ports on the ClusterCard, and install a terminator on the remaining port. Make sure the terminator impedance matches the cable impedance.  
  
If the PC is in the middle of the cluster, connect a cluster cable to each of the RS-422 or RS-485 ports on the ClusterCard.





## Section 4

# Requirements for TeleCluster

This section describes the hardware and software required for installing a TeleCluster network.

Typical hardware requirements include a cluster server, one or more cluster workstations, a TeleCluster hub, and a TeleCluster adapter for each workstation. If you want to use IBM compatible PCs, you'll need an AT-bus ClusterCard for each PC. Advanced TeleCluster can use the existing telephone wiring in the building (a spare wire pair is required).

Typical software requirements include the CTOS operating system and the ClusterShare software required for ClusterCard.

*Note: In this section and throughout this manual, the term "TeleCluster" refers to Advanced TeleCluster. The older voice over data TeleCluster product is referred to as "voice / data TeleCluster".*

## Cluster Servers

Each cluster must have one and only one cluster server. Any CTOS/BTOS workstation or shared resource processor that has a hard disk can be used as a server. However, it is a common practice to use the more powerful workstations or shared resource processors as cluster servers.

You should be aware that workstations and shared resource processors have varying capabilities regarding cluster speed and the number of cluster workstations they can support. These capabilities are listed in Appendix B, "Workstations and Servers".

# Cluster Workstations

Any CTOS/BTOS workstation can be used as a cluster workstation. (Shared resource processors are normally used as servers, rather than as workstations.)

# IBM Compatible PCs

PCs with an AT-bus ClusterCard can be attached directly to a TeleCluster hub because the AT-bus ClusterCard has a built-in TeleCluster adapter. The AT-bus ClusterCard can be daisy chained to another workstation that has a TeleCluster adapter.

PCs with an XT-bus ClusterCard cannot be attached directly to a TeleCluster hub because it, but can be daisy chained to a workstation that has a TeleCluster adapter or to a PC with an AT-bus ClusterCard.

# Cable

A TeleCluster installation always uses

- Unshielded twisted pair (for main TeleCluster wiring)
- Hub cable (provided with the TeleCluster hub)

A TeleCluster installation can optionally use

- IBM type 1, 2, 6, or 9 cable (for main TeleCluster wiring, as a replacement for unshielded twisted pair)
- Standard cluster cable, 100 ohm (for daisy chaining workstations)
- DB9-to-RJ45 adapter cable (for daisy chaining PCs)

See Appendix A, "Cables" for specifications.

# Terminators

If you daisy-chain workstations or PCs to a workstation with a TeleCluster adapter, you must install the following terminators at the end of the daisy chain:

- 100 ohm cable terminator (optional, installed in workstations or PCs with XT-bus ClusterCards)

- 100 ohm RJ45 terminator, (optional, installed in PCs with AT-bus ClusterCards)

**Note:** *Terminators are not installed in workstations connected directly to the TeleCluster hub by a TeleCluster adapter.*

## TeleCluster Wall Outlets

You need an RJ45 wall jack for each workstation with a TeleCluster adapter. (A spare wire pair connects the hub to the RJ45 jack, and an RJ45 cable connects the RJ45 jack to the TeleCluster adapter.)

## TeleCluster Hub

You need at least one TeleCluster hub for each TeleCluster installation. You can daisy chain a maximum of two TeleCluster hubs in one installation.

## Network Interface Unit

Some countries require the network interface unit to isolate signals. You must install one of these devices for each hub. (Consult your local telephone company to determine whether you need this unit.)

## TeleCluster Adapter

Each workstation, server, or PC directly connected to the hub requires a TeleCluster adapter. (The AT-bus ClusterCard has a built-in TeleCluster adapter.)

**Note:** *See Appendix F "Voice / Data TeleCluster" for compatibilities between the Advanced TeleCluster and the older voice / data TeleCluster products.*

### TeleCluster Adapter Power Supply

Some workstations and shared resource processors provide power for the TeleCluster adapter, and therefore do not require an adapter power supply. Appendix B, “Workstations and Servers”, lists the workstations and shared resource processors that provide power for the adapter.

### Punchdown Blocks

You need at least one type 66 or one type 110 (or an equivalent) punchdown block for each hub.

### Software Requirements

The following software is required:

- Server OS and workstation OS.
- ClusterShare software (if PCs are connected to the cluster)

# Section 5

## Installing TeleCluster

This section provides information about site preparation, planning, and installation. You should read this section if you are installing or modifying a TeleCluster network.

This section provides information about the following topics:

- Basic site preparation
- Planning the installation
- Installing and daisy-chaining hubs
- Installing RJ45 modular wall jacks
- Installing TeleCluster adapters
- Daisy-chaining workstations
- Starting TeleCluster
- Troubleshooting TeleCluster

**Note:** *We recommend that the building wiring (including punchdown blocks, wall jack outlets, and cabling) conform to standard wiring practice. Refer to the “Unisys Building Wiring Guide” for more information.*

### Basic Site Preparation

To prepare your site for a cluster installation, you must

- Make sure that the planned installation meets all applicable safety and electrical codes
- Prepare the wiring closet for the hub or hubs
- Resolve cable ownership issues

- Resolve building ownership issues
- Employ a qualified installer

### Safety and Electrical Code Requirements

If you install cable, you must make sure that the installation complies with local safety and electrical codes. Contact your local building code authority for complete code requirements.

### Preparing the Wiring Closet for the Hub

To prepare the wiring closet for the hub,

1. Make sure that the wiring closet conforms to the standards described in the *Unisys Building Wiring Guide*.
2. Make sure that there is a 115V or 220V ac outlet withing 6 feet of the place where you plan to install the hub.
3. Make sure that there is at least 3 inches clearance at the back and on the sides of the hub. There must be enough clearance in front of the hub to connect cables, read the LEDs, and set switches.
4. Make sure that there are no flammable materials located near the hub.
5. Make sure that the wiring closet has a standard 19-inch equipment rack for the hub.

### Telephone Cable Ownership Issues

If you intend to use the building's existing telephone cabling, you must first determine who owns the telephone cable, and what restrictions apply to the use of that cable. (You may have to consult with the building owner to resolve these issues.)

### Building Ownership Issues

If the building is leased rather than owned, you should be aware that some lease arrangements may restrict cable installation.

## Who Should Install TeleCluster

Only qualified technical personnel should install TeleCluster. In particular, the installer must be familiar with telephone equipment and wiring closets.

## Planning a TeleCluster Installation

To plan an installation, you should

1. Conduct a site survey.
2. Obtain floor plans or building plans.
3. Determine the cable type and size.
4. Select a cluster speed.
5. Determine the maximum cable length.
6. Select the hub configuration.
7. Determine the maximum number of workstations.
8. Select workstation, server, and hub locations.
9. Identify cluster cable routes.
10. Complete and maintain cluster documentation.

Each of these steps are described below in more detail.

## Conducting a Site Survey

In a site survey, an installation planner assesses the building to determine where to install cable, taking under consideration the location of power sources, risers, conduits, cable trays, fire walls, etc., as well as the existence of special hazards or restrictions.

**Note:** *A site survey is not required if you use the building's existing cabling.*

### Obtaining Floor Plans

A current set of floor plans should be obtained from the building facilities manager or other appropriate source. The floor plans are useful for showing cable routes and workstation location.

### Determining the Cable Type and Size

Normally, a TeleCluster installation uses unshielded twisted pair wiring. However, you can use IBM type 1, 2, 6, or 9 cable.

#### Unshielded Twisted Pair Cable

If you intend to use the existing unshielded twisted pair cabling in the building, you must find out what the size of the cable is. Acceptable cable sizes are: 22 AWG (0.6mm), 24 AWG (0.5mm), and 26 AWG (0.4mm). Other cable sizes are not supported.

If you are installing unshielded twisted pair, 24 AWG (0.5mm) cable is recommended. See Appendix A, "Cables" for specifications.

*Note: A single installation can have a mixture of sizes (e.g., some of the cabling can be 24 AWG and some can be 26 AWG). However, if there are different sizes of cable between a hub and a TeleCluster adapter, you must use only the smallest size cable when you calculate maximum cable lengths.*

#### IBM Type 1, 2, 6, or 9 Cable

You can use a wiring pair in type 1, 2, 6, or 9 cable to connect the hub to an adapter. You must use only one of these cable types between the hub and an adapter.

### Selecting a Cluster Speed

Currently, three cluster speeds are available:

- 307 Kbps
- 1.8 Mbps
- 3.7 Mbps (not available for daisy-chained hubs)



When you select a cluster speed, make sure each workstation can support that speed. Keep in mind that the 3.7 Mbps speed cannot be used if two TeleCluster hubs are daisy chained.

*Note: Some versions of the server operating system do not support the 3.7 Mbps cluster speed. Check the server operating system documentation to determine whether it supports 3.7 Mbps.*

## Maximum Cable Lengths

The maximum length of cable between a hub and a workstation depends on the cable type, cluster speed and cable size. Table 5-1 shows the maximums for unshielded twisted pair; Table 5-2 shows the maximums for IBM type 1, 2, 6, and 9 cable.

*Note: Since the hub acts as a signal repeater, maximum length restrictions apply only to the distance between the hub and a TeleCluster adapter, not to the total length of cable used in the installation.*

**Table 5-1. Maximum Lengths (Unshielded Twisted Pair)**

Cable Size	Cluster Speed (Mbps)	Max Length (Hub to adapter)
22 AWG (0.6 mm)	1.8	1300 ft
22 AWG (0.6mm)	3.7	900 ft
24 AWG (0.5mm)	1.8	1200 ft
24 AWG (0.5mm)	3.7	800 ft
26 AWG (0.4mm)	1.8	1000 ft
26 AWG (0.4mm)	3.7	700 ft

*Note: The maximum length between two daisy-chained hubs is 600 feet.*

**Table 5-2. Maximum Lengths (Type 1, 2, 6, or 9 Cable)**

Cable Type	Cluster Speed (Mbps)	Max Length (Hub to adapter)
1	1.8	2000 ft
1	3.7	1300 ft
2 (data pairs)	1.8	2000 ft
2 (data pairs)	3.7	1300 ft
2 (voice pairs)	1.8	1600 ft
2 (voice pairs)	3.7	1000 ft
6	1.8	1200 ft
6	3.7	800 ft
9	1.8	1200 ft
9	3.7	800 ft

*Note: The maximum length between two daisy-chained hubs is 600 feet.*

### Selecting a Hub Configuration

There are two ways to configure a TeleCluster. You can use a single hub configuration (see Figure 5-1) or a daisy-chained hub configuration. (See Figure 5-2.)

*Note: If you use the 3.7 Mbps cluster speed, you cannot use the daisy-chained hub configuration.*

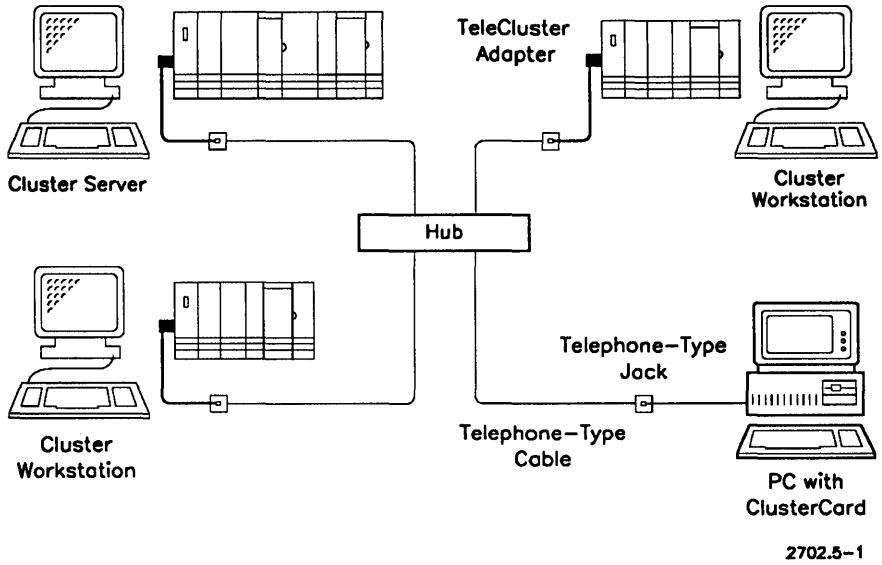


Figure 5-1. Single Hub TeleCluster

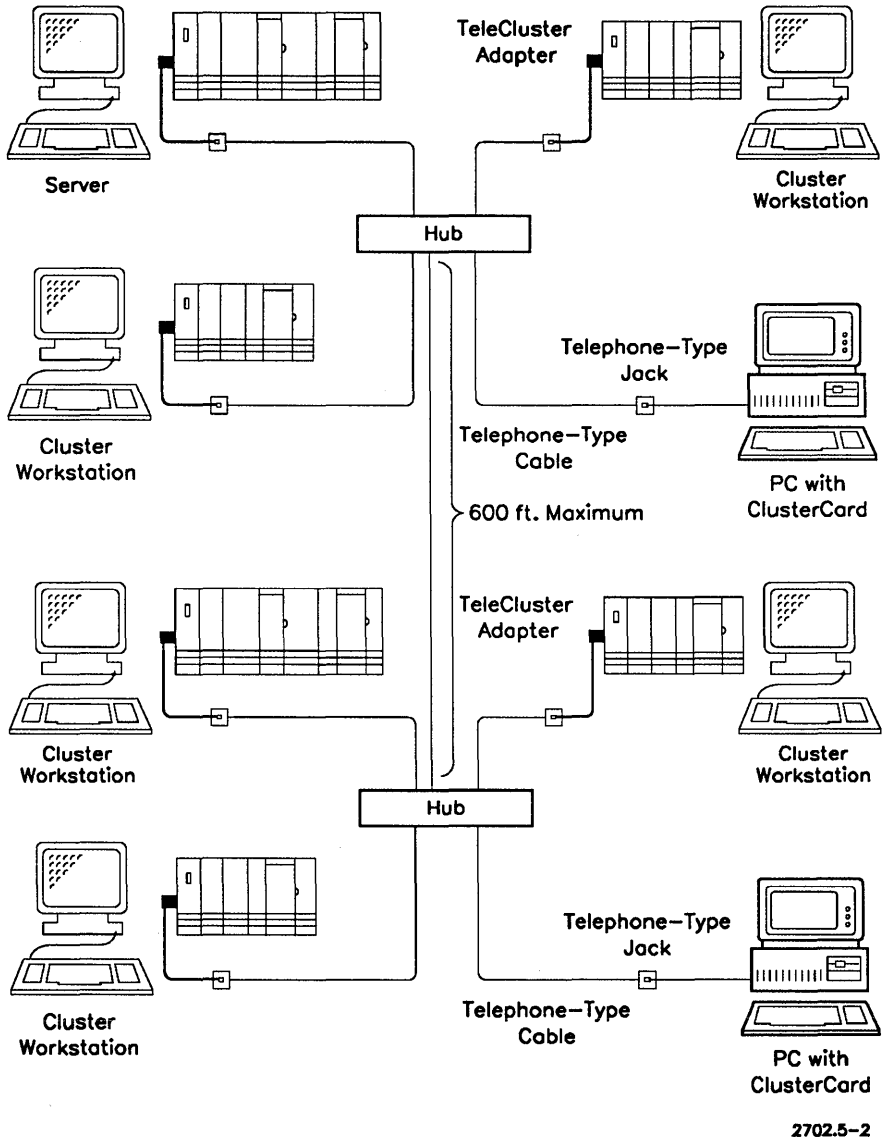


Figure 5-2. TeleCluster with Daisy-Chained Hubs

## Determining the Number of Workstations

The maximum number of workstations allowed for a particular installation is dependent on the number of hubs and the operating system version. However, since this guide describes only hardware limitations, you should refer to your operating system documentation to determine whether there are further restrictions.

Table 5-3 lists the maximums for each hub configuration.

**Table 5-3 Maximum Number of Workstations**

Hub Configuration	Workstations Supported*	Servers Supported
Single Hub	47	1
Daisy-chained Hubs	87	1

\* Assumes 12 workstations with TeleCluster adapters, with 3 workstations daisy chained to each of the 12 workstations.

**Note:** *The numbers listed above describe TeleCluster hardware limitations only. Additional limitations may be imposed by some software applications or operating system versions. To determine whether there are additional limitations, refer to the appropriate documentation.*

## Selecting Workstation, Server, and Hub Locations

On the floor plans, mark the locations where workstations, server, and hubs are to be installed. Indicate the workstation type on the floor plans.

**Note:** *There must be at least 25 feet of unshielded twisted pair cable between the hub and any TeleCluster adapter.*

### Workstations and Servers

Make sure that there is at least 25 feet of unshielded twisted pair cable between the hub and any TeleCluster adapter.

### Hubs

Locate the hub in the wiring closet that is nearest to the majority of the cables used for TeleCluster. If you are daisy chaining two hubs, make sure that the hubs are not more than 600 feet apart.

*Note: There should be no more than three punchdown blocks between a hub and a TeleCluster adapter, or between any two hubs. If more than three punchdown blocks are used, each additional punchdown block reduces the maximum cable length by 50 feet.*

### Identifying Cable Routes

From the marked floor plans, identify the cable routes and mark the cable lengths. (Be sure to account for vertical cable runs.) Make sure that

- The maximum cable length limits between a hub and a TeleCluster adapter are not exceeded
- The TeleCluster cable is routed separately from ac power cable to minimize electromagnetic interference. TeleCluster cable should be kept the following distances from power cables:
  - 3 inches (75 mm) from ac cables with 2 kVA or less
  - 12 inches (300 mm) from ac cables with 2 kVA to 5 kVA
  - 40 inches (1 meter) from ac cables with 5 kVA or greater
  - 5 inches (130 mm) from fluorescent fixtures

### Completing and Maintaining Network Documentation

Date and keep the final version of the marked floor plans as an “as-built” record of the cluster. Copies of this version may be made and used as working copies when network expansion or modification is undertaken. Be sure to update the network floor plans after modifying or expanding the network.

The marked floor plans and other network documentation should be maintained by the network administrator.

## Installation Overview

To install a TeleCluster network, you need to do the following:

- Install the hub
- Daisy-chain hubs (optional)
- Install the Network Interface Unit (if required)
- Install RJ45 jacks
- Install TeleCluster adapters
- Daisy-chain workstations (optional)

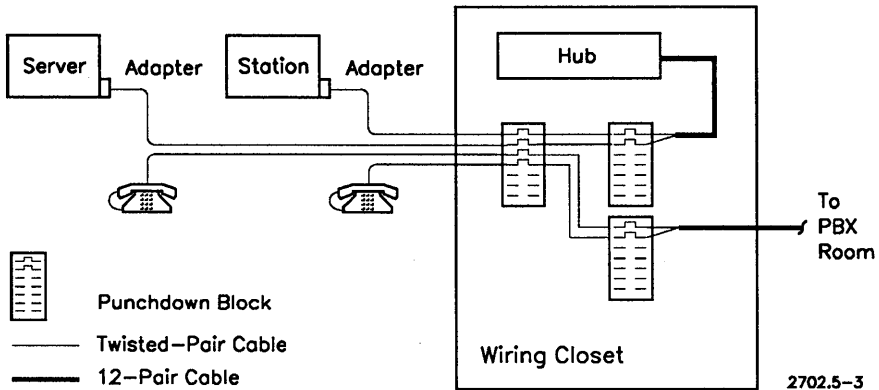
## Installing Hubs

To install a hub,

1. Make sure that the wiring closet selected for the hub contains all of the cables leading out to the TeleCluster adapters. If it doesn't, you must install more cable so that a wire pair links each TeleCluster adapter to the hub.
2. Mount a punchdown block within 12 feet of the hub. (Each hub should have its own block.) The block should be within 12 feet of the hub because the punchdown block-to-hub cable supplied with the hub is only 12 feet long. If you need a longer cable, consult your Unisys representative.

**Note:** *There should be no more than three punchdown blocks between a hub and a TeleCluster adapter. If more than three punchdown blocks are used, each additional punchdown block reduces the maximum cable length by 50 feet.*

3. Label each of the wire pairs leading to the TeleCluster adapters, so that you can identify which wire pair goes to which adapter. This will make maintenance easier later.
4. Connect each of the wire pairs to the punchdown block (see Figure 5-3). Table 5-4 lists the tip/ring polarity for each punchdown block position, as well as the hub channel corresponding to each pair of positions on the punchdown block.



**Figure 5-3. Punchdown Block and Wire Pairs**

**Table 5-4. Hub Channel Positions on the Punchdown Block\***

Channel Number	Twisted Pair Lead Tip	Ring
1	Position 1 (White-blue)	Position 2 (Blue-white)
2	Position 3 (White-orange)	Position 4 (Orange-white)
3	Position 5 (White-green)	Position 6 (Green-white)
4	Position 7 (White-brown)	Position 8 (Brown-white)
5	Position 9 (White-gray)	Position 10 (Gray-white)
6	Position 11 (Red-blue)	Position 12 (Blue-red)
7	Position 13 (Red-orange)	Position 14 (Orange-red)
8	Position 15 (Red-green)	Position 16 (Green-red)
9	Position 17 (Red-brown)	Position 18 (Brown-red)
10	Position 19 (Red-gray)	Position 20 (Gray-red)
11	Position 21 (Black-blue)	Position 22 (Blue-black)
12	Position 23 (Black-orange)	Position 24 (Orange-black)

\* The color codes reflect the color codes for the wire pairs in the 12-pair cable provided with the hub; the color coding in your building's wire pairs may vary. (Color codes are provided here mainly to illustrate tip/ring polarities.)



5. Check the clearance at the rear of the equipment rack that will be used for the hub. If there is insufficient clearance, plug the power cord into the hub's back panel before you mount the hub, but do **not** plug the other end of the power cord into an ac outlet.
6. Place the hub in the rack, and fasten the hub to the rack by tightening screws or bolts into the lower and upper sets of rack-mount cutouts on the hub's front panel. (See Figure 5-4)

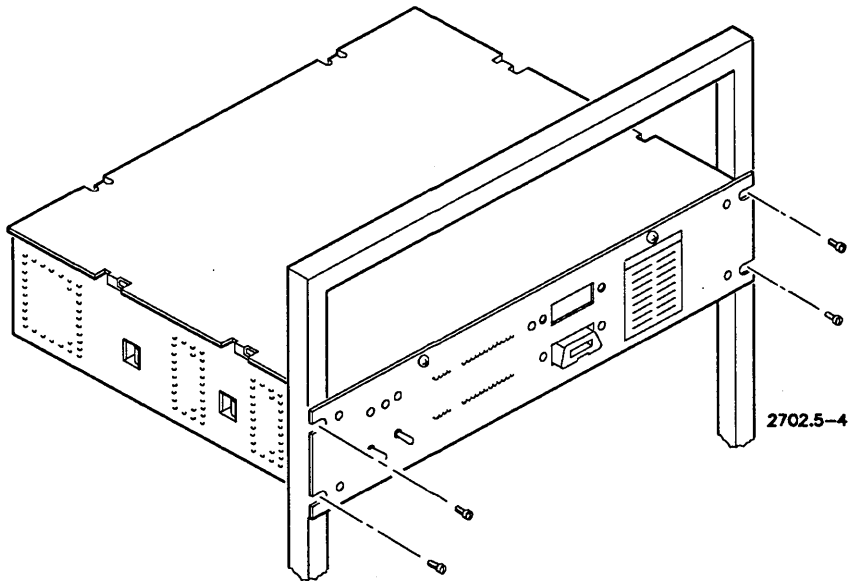
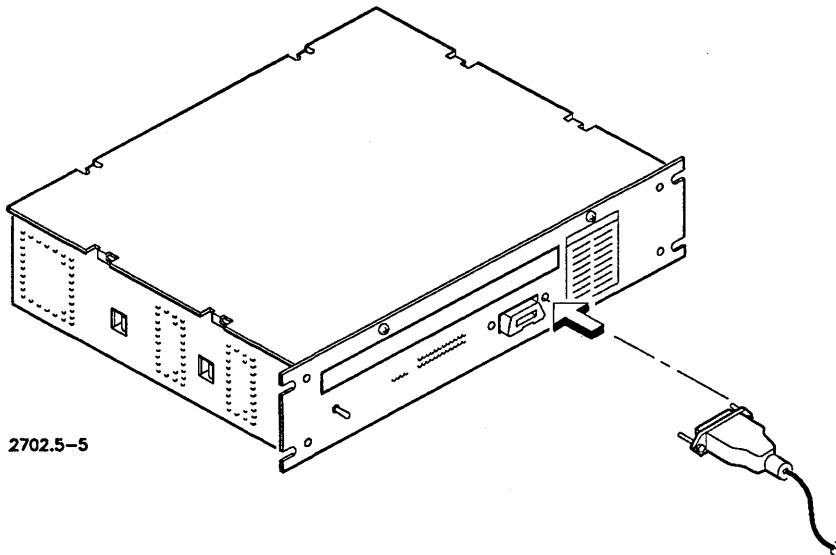


Figure 5-4. Mounting a Hub

7. If you haven't already done so, plug the power cord into the hub's back panel, but do **not** plug the other end of the power cord into an ac outlet.

8. Locate the 12-pair cable supplied with the hub, and connect the cable's 24-pin connector to the 24-pin connector on the front of the hub. (See Figure 5-5.)



**Figure 5-5. Connecting a 12-Pair Cable**

9. The remaining end of the 12-pair cable has no connector. Instead, the individual wire pairs in the cable are exposed so that they can be connected to the punchdown block. Using the hub channel assignments listed in Table 5-4, connect each wire pair to the punchdown block. (See Figure 5-6.)

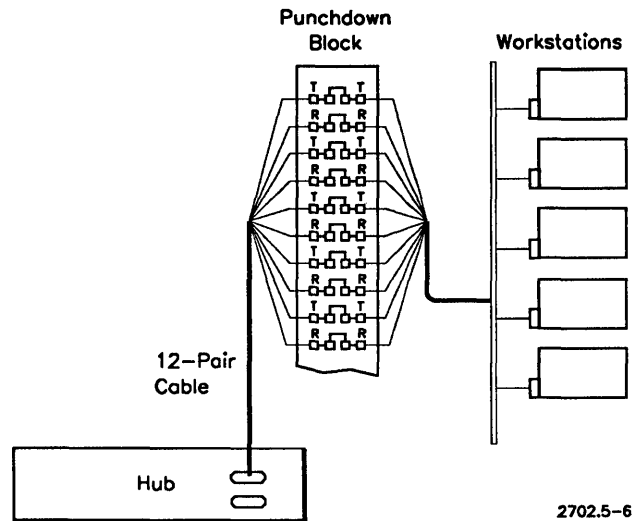


Figure 5-6. Wiring the Punchdown Block

10. Locate the “Channel Location” label on the front of the hub. Mark the location of each TeleCluster adapter on this label so that you can easily determine which adapter is connected to which hub channel.
11. Plug the hub’s power cord into an ac outlet.

**Note:** Use cross-connect wires in a punchdown block rather than bridge clips. The use of bridge clips can result in unreliable connections.

## Daisy-Chaining Hubs

You can daisy chain a maximum of two TeleCluster hubs together. The hubs cannot be more than 600 feet apart, and the cluster speed cannot exceed 1.8 Mbps.

**Note:** The cable linking the two hubs occupies one of the twelve channels in each hub. Therefore, after you daisy chain the hubs, each hub supports a maximum of 11 TeleCluster adapters.

To daisy chain two hubs,

1. Install both hubs as described above in “Installing Hubs”.
2. Make sure that there is an available wire pair linking the two wiring closets where the hubs are installed.
3. Using the hub punchdown blocks, connect one end of an available wire pair to one hub, and the other end to the other hub. Make sure that the tip/ring polarity is as described in Table 5-4 above. (You can use any of the 12 hub channels for the daisy-chain connection.)

*Note: There must be no more than 3 punchdown blocks between the hubs. If there are more than 3 blocks between the hubs, each additional block reduces the 600 foot maximum cable length by 50 feet.*

## Installing a Network Interface Unit

The Network Interface Unit (NIU) insulates the TeleCluster hub from direct connection to the telephone lines. Some countries require an NIU to be installed to ensure that no unexpected signals pass between the hub and the telephone lines. (Consult your local telephone authority for details.) If an NIU is required, you must install one NIU for each hub.

*Note: The Network Interface Unit is designed for the TeleCluster hub. It should not be used with the older voice /data TeleCluster hub.*

To install the Network Interface Unit,

1. Mount the NIU in the same equipment rack used by the hub. The NIU must be installed directly above the hub.
2. Locate the short 25-pair telephone cable shipped with the NIU. Plug one end of this cable into the connector labelled “Out-Hub” on the NIU. Plug the other end of the cable into the 25-pair connector on the hub. (See Figure 5-7.)

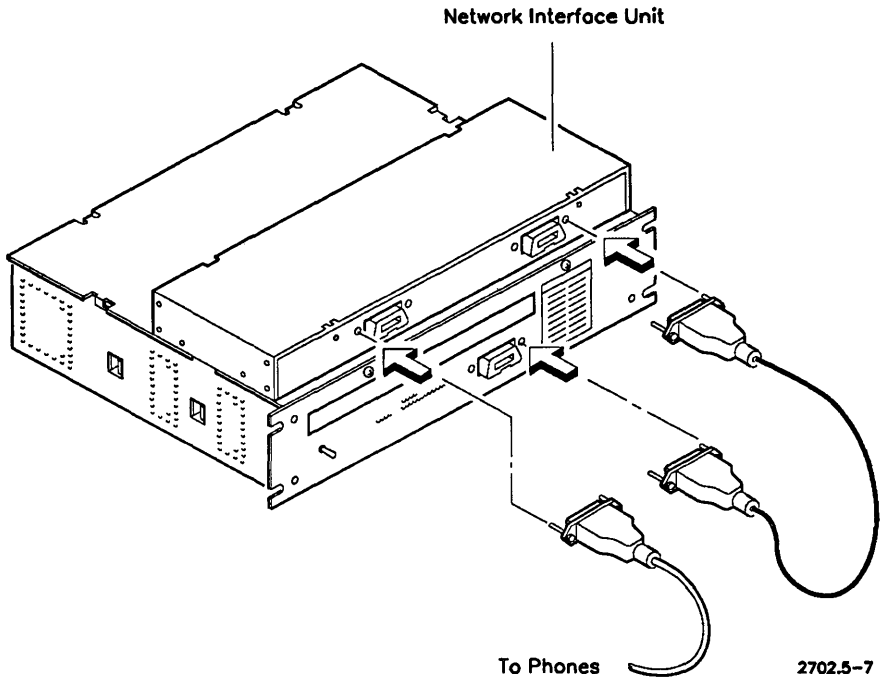


Figure 5-7. Connecting the NIU

3. Connect the cables leading to the TeleCluster adapters to the connector labelled "In-adapters" on the NIU.

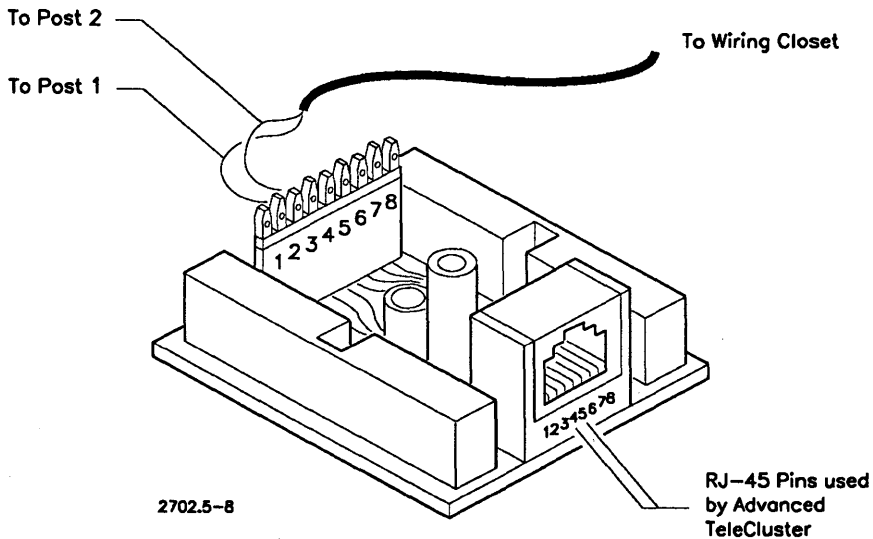
## Installing RJ45 Jacks

Each twisted pair cable leading from the hub to a TeleCluster adapter must be connected to an RJ45 wall jack. You can use a dedicated RJ45 jack, or you can share the jack used by the telephone line. (If you share the wall jack with the telephone line, you need a special Y adapter.)

A general procedure for installing an RJ45 jack and connecting TeleCluster to the jack is described below.

To install an RJ45 jack,

1. Locate the wire pair used for TeleCluster.
2. Remove existing cover plates from the jack housing.
3. Connect the tip and ring leads of the wire pair to pair 1 (the middle two connectors) on the RJ45 jack. The tip wire connects to post 1, the ring wire connects to post 2 (see Figure 5-8).



**Figure 5-8. Installing an RJ45 Jack**

4. Reassemble the RJ45 jack housing.
5. Label the RJ45 jack to indicate that it has been wired for TeleCluster.

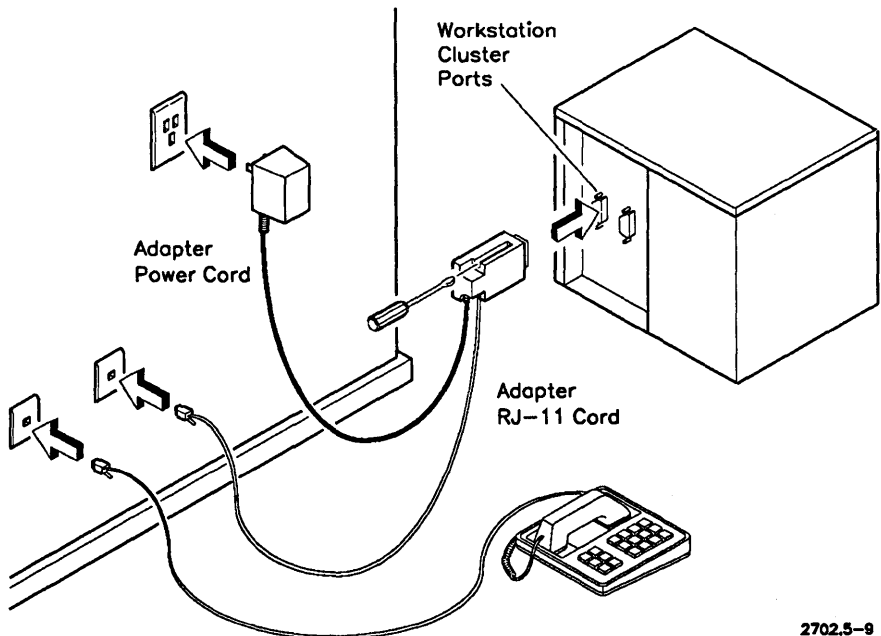
## Installing TeleCluster Adapters

To connect to a TeleCluster network, a workstation must have a TeleCluster adapter, or be daisy chained to a workstation that has one (see “Daisy-Chaining Workstations or PCs” below).

**Note:** A PC with an AT-bus ClusterCard does not require a TeleCluster adapter because an adapter is built-in.

To install a TeleCluster adapter,

1. Connect the adapter to an RS-422 or RS-485 port on the workstation or server (see Figure 5-9). You can use any of the RS-422 or RS-485 ports on a workstation or server.



2702.5-9

Figure 5-9. Installing a TeleCluster Adapter

2. Determine whether the workstation or server provides +5V for the TeleCluster adapter. (See Appendix B, "Workstations and Servers".) If the workstation or server does not provides +5V, you must install an adapter power supply as shown in Figure 5-8. (The power supply plugs into an ac outlet.)

If the workstation or server does provide +5V, an adapter power supply is not required.

*Note: Turning off a workstation turns off the +5V power that it provides for the TeleCluster adapter, cutting off any other workstations daisy-chained to the adapter. Therefore, you should install an adapter power supply even if the workstation provides +5V if you plan on turning off the workstation.*

3. Connect the workstation to the hub by plugging the RJ11 cable from the TeleCluster adapter into the RJ45 jack.

## Daisy-Chaining Workstations

A TeleCluster adapter supports a maximum of 4 workstations: 1 that is connected directly to the adapter, and 3 others that are daisy-chained to the workstation that has the adapter.

*Note: The server must have a TeleCluster adapter installed and be directly connected to the hub.*

To daisy-chain workstations or PCs,

1. Make sure that the workstation with the TeleCluster adapter either provides +5V for the adapter or has an adapter power supply. If this workstation must be turned off occasionally, an adapter power supply is required even for workstations that provide +5V.
2. Make sure that the planned installation does not exceed the maximum length limits for cluster cable (see Table 5-5 below)

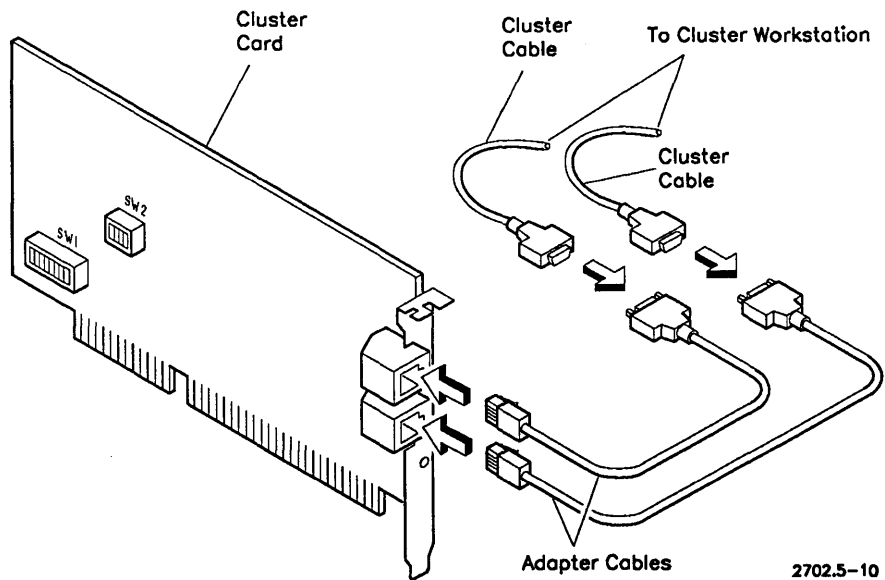


**Table 5-5. Daisy Chain Maximum Length\***

Cluster Speed	Maximum Length
1.8 Mbps	600 ft
3.7 Mbps	300 ft

\* The cluster cable must be standard 100 Ohm cluster cable.

3. Make sure that there is at least 25 feet of cluster cable between any two workstations or PCs.
4. Make sure you use 100 Ohm cluster cable. (See Appendix A, "Cables" for cable specifications.)
5. Install a DB9-RJ45 adapter in each PC that has an AT-bus ClusterCard. (See Figure 5-10.)



**Figure 5-10. Installing a DB9-RJ45 Adapter Cable**

6. Connect the cluster cables to the workstations and to the workstation that has a TeleCluster adapter, but do **not** power on the workstations.
7. With the workstations plugged into ac power outlets, but powered off, check the ac ground potential difference between the workstation and the cluster cables that are to be connected to the workstation.

To do this, remove the cluster cable from one of the cluster ports on the workstation and measure the voltage between the workstation chassis and the cable shield. There must not be more than 1.0V ac between the cable shield and the workstation chassis. The resistance between workstation and cable shield must not exceed 1-ohm.

If the workstation is not at the end of the cluster, repeat step 7 for the cluster cable connected to the remaining cluster port.

---

### CAUTION

---

Ground potential differences exceeding the above specifications can damage electronic components and may result in erratic cluster performance.

---

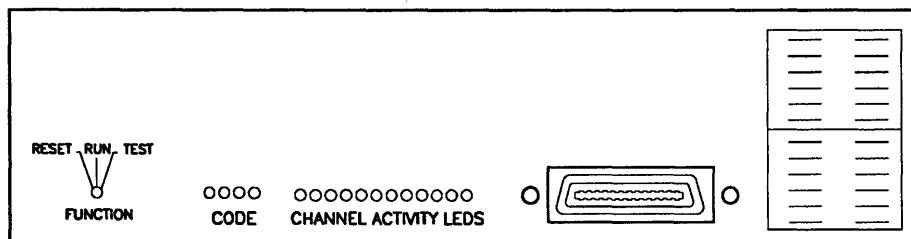
8. If the ac ground potential difference within the acceptable limits, connect the cluster cable to an RS-422 or RS-485 port on the workstation or PC ClusterCard. (Cables can be connected to the ports in any order.)
9. Repeat steps 6, 7, and 8 for each workstation or PC that is to be daisy-chained.
10. Install a 100 ohm terminator in the last workstation or PC in the daisy chain. The terminator must be installed in the remaining RS-422 or RS-485 port on the workstation or PC ClusterCard.
11. If you have not already done so, set the server for the desired cluster speed. (See the *CTOS System Administration Guide* for instructions on how to do this.) Make sure that the server and all the workstations in the cluster can support the selected speed.

**Note:** *All ClusterCards support a cluster speed of 1.8 Mbps. However, if you want to use a cluster speed of 3.7 Mbps, you must use an AT-bus ClusterCard installed in an 80385-based (or 80485-based) PC running at 20 MHz or faster.*

## Starting the Cluster

After the TeleCluster network is connected, start up the cluster. To do this,

1. Boot the server.
2. Reset the hub by moving the three-position Function switch on the hub front panel to the RESET position (see Figure 5-11). Then release the switch. (The switch automatically returns to the RUN position after you release it.)



2702.5-11

Figure 5-11. Hub Front Panel

3. After you release the switch, the hub LEDs will light up (for about 5-seconds).
4. Boot all of the workstations and PCs in the cluster.
5. Run the Cluster Status (in the Executive program) command on the server to verify that all workstations are operational on the cluster.

## Troubleshooting

There are three common symptoms of TeleCluster failure:

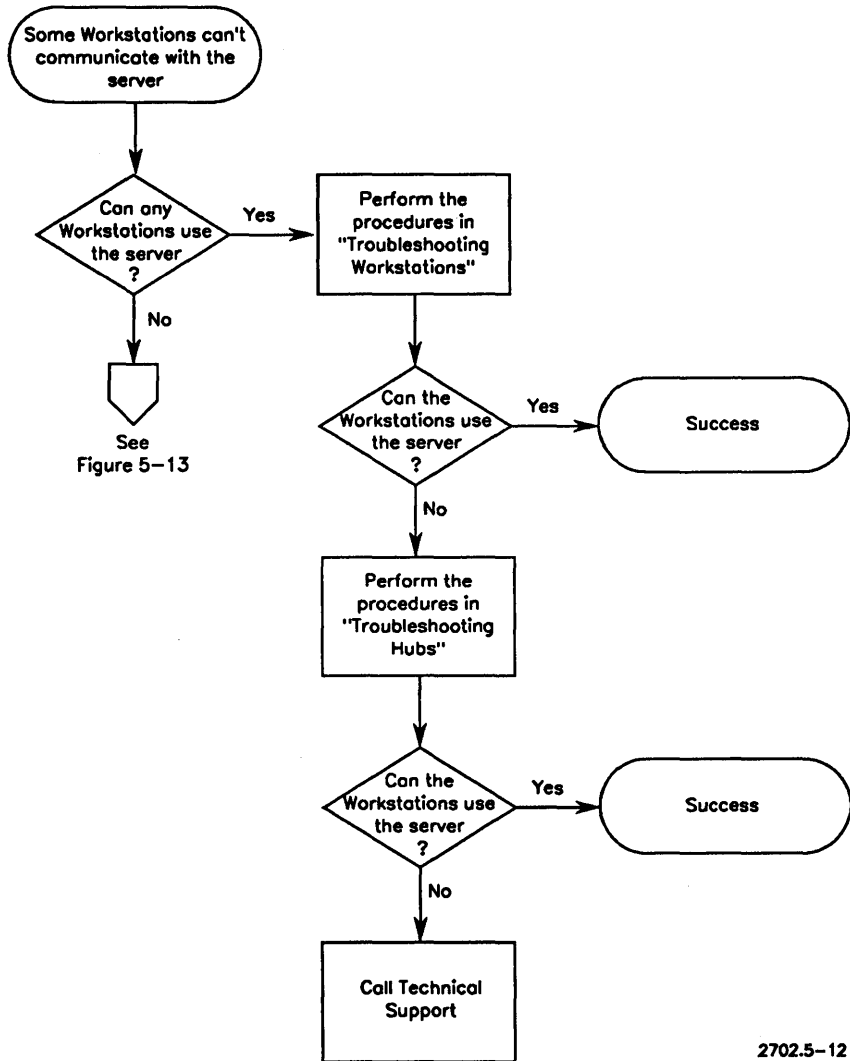
1. Some of the workstations cannot access the server.
2. No workstation can access the server.
3. The TeleCluster has intermittent errors.

If your TeleCluster network has one of these symptoms, you can usually isolate the cause of the problem using the procedures described below.

### **Some Workstations Cannot Access the Server**

If some of the workstations in the TeleCluster are unable to access the server, but other workstations can access the server, you should suspect the individual workstations and their cable connections to the hub. (In this case, the hub and the server are probably not the cause of the problem.)

To further isolate the cause of the problem, use the following flowchart (see Figure 5-12). The flowchart will help you identify and fix the problem for each workstation that cannot access the server.



2702.5-12

Figure 5-12. Some Workstations Cannot Access the Server

### **No Workstations Can Access the Server**

If none of the workstations in the TeleCluster can access the server, you should suspect the hub or server. (In this case, the individual workstations and cable connections are probably not the cause of the problem.)

To further isolate the cause of the problem, use the following flowchart (see Figure 5-13). The flowchart will help you identify and fix the problem.

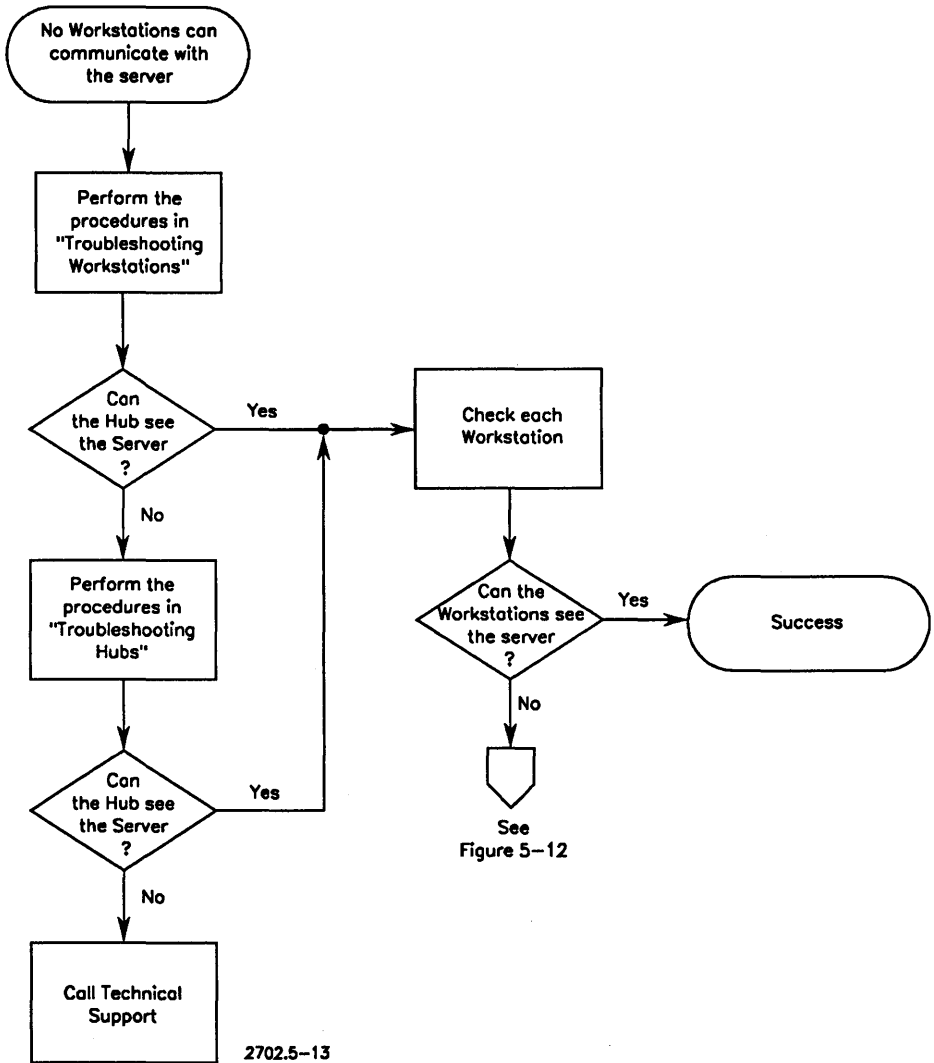


Figure 5-13. No Workstations Can Access the Server

### The TeleCluster has Intermittent Errors

Intermittent errors are usually caused by incorrectly daisy-chaining workstations to the workstation that has the TeleCluster adapter. See the *CTOS System Administration Guide* for information about troubleshooting daisy-chained workstations.

### Troubleshooting Workstations

If you have determined that the problem is caused by the workstation or by faulty cable connections between hub and workstation, you can use the LED on the TeleCluster adapter to further isolate the problem. The adapter LED helps you identify and solve communication problems at a workstation.

The adapter LED can be in one of three states: off, flickering, or on. Examine the adapter LED, and perform the procedures listed below.

#### The Adapter LED is Off

The adapter LED is on whenever the adapter has power. Therefore, if the LED is off, the adapter has no power. Use the following chart to identify the cause and fix the problem.

---

Possible Cause	Action
The workstation has no power or is not operational.	Make sure that the workstation has power and works correctly. Also, make sure that the workstation is powered on.
The adapter is not receiving power from the workstation.	<p>If the adapter is being used without an external power supply, make sure that the workstation provides +5V for the adapter. The workstations that do provide +5V are listed in Appendix B, "Workstations and Servers".</p> <p>If the workstation does provide +5V for the adapter, remove the adapter and reconnect it. Make sure it is connected to a cluster port.</p> <p>If the adapter still does not receive power from the workstation, connect a TeleCluster adapter power supply to the adapter.</p>

---

continued



continued

Possible Cause	Action
The adapter is not receiving power from the adapter power supply.	If the adapter is being used with the adapter power supply, make sure that the power supply is plugged into a live ac outlet. Then make sure its cord is correctly connected to the adapter.
The adapter power supply is faulty.	Replace the adapter power supply.
The adapter is faulty.	Replace the adapter.

## The Adapter LED Flickers

The adapter LED flickers when the adapter receives data from the server via the TeleCluster cable. Therefore, if the adapter LED flickers, the workstation should be able to access the server.

If workstation cannot access the server, even though the adapter LED flickers, use the following chart to identify the cause and fix the problem.

Possible Cause	Action
The adapter is not connected to the workstation correctly.	Remove the adapter and reconnect it. Make sure it is connected to a cluster port.
The cluster line is not terminated.	<p>If you have daisy-chained other workstations to the workstation that has the TeleCluster adapter, disconnect them. If this fixes the problem, you have not daisy-chained correctly.</p> <p>Make sure that the length of the daisy chain does not exceed 600 feet if the cluster speed is 1.8 Mbps, or 300 feet if the cluster speed is 3.7 Mbps. Also, make sure that the cluster cable is terminated at the last workstation in the daisy chain.</p>
The adapter is faulty.	Replace the adapter.
The workstation is faulty.	Connect a known-good workstation to the adapter. If that workstation can access the server, replace or repair the original workstation..

### The Adapter LED Is On

The adapter LED is on whenever the adapter has power, and flickers whenever the adapter receives data from the server via the TeleCluster cable.

If the adapter LED is on, but does not flicker, even though data is sent to or from the server, use the following chart to identify the cause and fix the problem.

---

Possible Cause	Action
The telephone cord from the adapter is connected to the wrong wall jack.	Make sure that the cord from the adapter is plugged into the RJ45 wall jack that has been wired for TeleCluster.
The RJ45 wall jack is wired incorrectly.	Make sure that the twisted pair wires from the Hub are connected to pins 1 and 2 of the RJ45 wall jack. See "Installing RJ45 Jacks" above for details.
The adapter is faulty.	Replace the adapter.
The problem lies with the Hub, the cross-connections on the punchdown block, or the TeleCluster cabling.	See "Troubleshooting the Hub".

---

### Troubleshooting the Hub

Hub problems are normally caused either by the hub's inability to locate the server, or by internal hub failures. The following procedures describe how to identify and fix these problems.

---

#### CAUTION

---

Only certified personnel should remove the cover from the hub. If uncertified personnel remove the cover, the Hub's warranty may be voided.

---

### The Hub Cannot Locate the Server

Code LEDs 1 through 4 on the hub are on when the hub cannot locate a server (see Figure 5-11). Refer to the following chart to locate the cause of this problem.

Possible Cause	Action
The server is not active.	Make sure that the server has power and is operational.
The adapter at the server may be causing the problem.	See above under "Troubleshooting Workstations".
The 12-pair cable connecting the Hub to the punchdown block may be loose or incorrectly connected.	Check the cables between the Hub and the punchdown block. Make sure all connections are firm and that each cable pair is connected to the correct position on the punchdown block.
The twisted-pair cable between the hub and the adapter at the server may be faulty.	Trace the cable between the adapter at the server and the hub. The cable usually can be no longer than 1200 feet and should have no more than three cross-connections.

### Diagnosing Internal Hub Problems

The hub loopback test is an internal test which determines whether the internal hub channels are operating correctly. The test requires a special loopback plug which connects pairs of hub channels together. The loopback allows the hub to test itself by exchanging data between its own channels.

When you run the hub loopback test, the hub tests each channel, and repeats the test until the hub is reset to Run mode.

To run the loopback test,

1. Disconnect the 12-pair cable from the hub you want to test.
2. Install the loopback plug into the 25-pin connector on the hub.
3. Move the Function switch on the hub to the RESET position, then release it. (The switch automatically returns to the RUN position.)
4. Immediately move the switch to the TEST position.

The Hub now runs the loopback test. The Code LEDs all turn off and the Status LEDs for each channel turn on as each channel is tested.

## Installing TeleCluster

---

If the Hub detects an error on a channel, the Channel Activity LED for that channel remains on for several seconds and the Code LEDs display one of four possible error codes (see Figure 5-14). After a few seconds, the error display disappears and the hub continues with the test.

Hub Code LEDs	Description
○ ○ ○ ●	Timeout error. The channel is not responding to polls.
○ ○ ● ●	Channel status error. The channel status pin on the microcontroller is in the incorrect state.
○ ● ○ ●	Invalid Enable status. The channel's Enable signal was in an invalid state.
● ○ ○ ●	Invalid data. The data received from the channel was not the data sent to that channel.

Keys: ● ○  
On Off

2702.5-14

Figure 5-14. Hub Error Codes

## Specifications

The rest of this section provides information on the following environmental requirements and physical dimensions of TeleCluster:

### Physical Dimensions

Table 5-6 lists the physical dimensions for each of the TeleCluster components.

Table 5-6. TeleCluster Physical Dimensions

Equipment	Height (in./mm)	Width (in./mm)	Depth (in./mm)
Hub	3.4/86	17.38/441*	15.13/384
Adapter	2.45/62	1.38/35	.77/20
Adapter Power Supply US	2.4/61	2.15/55	1.5/38
International	2.9/74	2.15/55	1.9/48

## **Part II**



## Section 6

# Introduction to Local Area Networks

This section introduces two standard local area networks (LANs) that are supported in the CTOS environment:

- Ethernet
- Token ring

A cluster can use either of these two LANs to connect to other clusters or to connect to other non-CTOS networks.

## What is a LAN?

A local area network (LAN) is a data communications system that allows independent computers to transfer data. The “local area” is normally restricted to about 2.5 kilometers because of the limitations on the part of the transmission media.

There are several types of LAN, usually distinguished by the network access method employed or by the transmission medium used. This section describes two common LANs, Ethernet and token ring.

*Note: A CTOS cluster is technically a LAN; however, in this guide, the term “LAN” is used only for Ethernet or token ring networks.*

## What is Ethernet?

Ethernet is a local area network first developed in the early 1970s and standardized in 1985 as IEEE 802.3. The standardization allows computers of varying manufacture and type to be interconnected by an Ethernet network.

### Ethernet Access Protocol

Ethernet is distinguished by its network access control method; that is, by the way it allows a given computer to gain control of the network in order to transmit data. Ethernet uses a contention method in which each computer contends with the others for access to the network. This contention method is called Carrier Sense Multiple Access with Collision Detect (CSMA/CD).

An account of how CSMA/CD works is best seen from a concrete example. A computer's Ethernet controller constantly monitors the network data channel in "listening mode", waiting for incoming data. Consequently, the Ethernet controller detects when data is being transmitted by some other computer on the network and it detects when no data is being transmitted. This is called "Carrier Sense": the Ethernet controller at each computer will not transmit data if it detects activity (carrier) in the channel.

If there is no activity in the Ethernet, the Ethernet controller can transmit data; or, more precisely, any Ethernet controller can transmit data. This gives rise to the possibility of simultaneous transmissions, where two or more controllers try to transmit at the same time or at nearly the same time. If this happens, there is a collision, which is detected (Collision Detect). A jam signal is issued to alert all other controllers to the collision. The transmitting controllers then stop transmitting and wait for a period of time before attempting to retransmit the data. (The period of time is quasi-randomized at each controller, to make a second collision unlikely.)

The data rates for an Ethernet network are typically around 10 megabits per second.

### Ethernet Cable Segments

The fundamental "building block" of an Ethernet network is the cable segment (see Figure 6-1). Cable segments are used to connect workstations to an Ethernet network or to connect other cable segments.



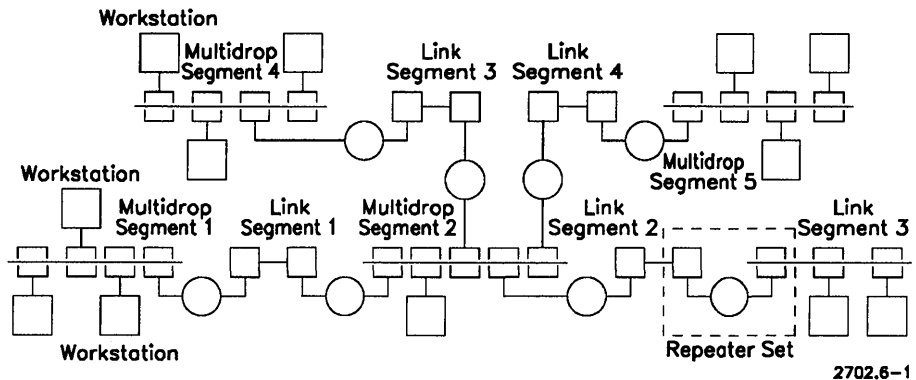


Figure 6-1. An Ethernet Network

There are two basic types of segment: multidrop segments and link segments. A multidrop segment is a section of cable that allows individual network workstations to connect to the cable at any point along the cable. A link segment, on the other hand, is a section of cable that allows only one connection at each end of the cable; it does not allow workstations to connect to the cable at other points. For this reason, a link segment is used mainly to connect two multidrop segments.

**Note:** *Because connecting two multidrop segments with a link segment also requires the use of repeaters, link segments are also called “inter-repeater link segments”*

### Types of Multidrop Segment Cable

The CTOS environment supports two types of multidrop cable:

- 10Base5 coaxial cable, also called “thicknet” or “standard Ethernet”
- 10Base2 coaxial cable, also called “thinnet” or “Cheapernet”

An Ethernet installation will use one or both of these cable types to take advantage of the cable type’s particular strengths. For example, 10Base2 cable is cheaper and more flexible than 10Base5 cable, while 10Base5 cable supports more workstations and can extend over greater distances.

### Types of Link Segment Cable

The CTOS environment supports three types of link segment cable:

- Fiber optic cable
- 10Base5 coaxial cable, used as a link segment
- 10Base2 coaxial cable, used as a link segment

In general, an Ethernet installation uses fiber optic cable if the link must span over greater distances, if the link connects different buildings, or if the link is exposed to lightning activity or high energy electrical emissions. If an installation doesn't require a fiber optic link, 10Base5 cable is frequently used as a general purpose link.

*Note: 10Base2 link segments are normally used only to link 10Base2 multidrop segments.*

### Connecting Workstations to Ethernet Cable

Workstations are connected to a multidrop cable segment by a medium attachment unit (MAU), which attaches directly to the Ethernet cable. The workstation is connected to the MAU by a special drop cable called an attachment unit interface (AUI) cable.

## What Are Ethernet Networks Used For?

An Ethernet network only provides the underlying physical connection between workstations; it does **not** provide the software layers required for communication between workstations. These software layers are provided in the various types of proprietary and standardized network software designed for use over Ethernet.

In the CTOS environment, a proprietary network software package called BNet allows different clusters to communicate (under the CTOS operating system) over an Ethernet network.

Other types of network software allow clusters to communicate with non-CTOS equipment and networks over the underlying Ethernet links. This is made possible by a network software standard called Open Systems Interconnection (OSI). For example, after the appropriate OSI compliant network software is installed in a cluster, the cluster can communicate with other systems that use OSI compliant software.

## What is Token Ring?

A token ring network is a standardized (IEEE 802.5) local network that uses token passing to control access to the network. The standard is based on an IBM protocol which allowed workstations in a ring to access a central host mainframe.

### Token Ring Access Protocol

In a token ring network, a token (a specified sequence of bits) is circulated around the ring network until it is claimed by a workstation that wants to transmit data. The token is then converted into data frames and the frames are sent out around the ring. Each workstation on the ring inspects the destination address of the frames to determine whether the frames are addressed to it. When the frames reach their destination, the recipient(s) copies the frames.

After the recipient copies the frames, the frames continue around the ring to the sender, which checks the frame status field to determine whether the recipient copied the frames properly. If there are errors, the frames are retransmitted; if there are no errors, the sender regenerates the token out onto the ring, where it is circulated until claimed.

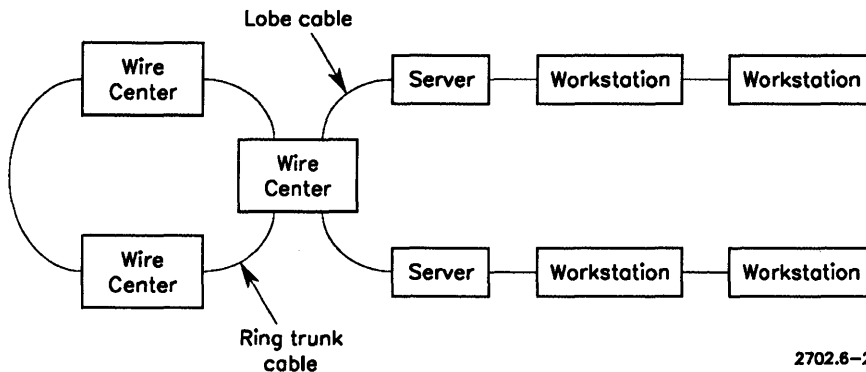
The data rates for a token ring network are typically around 4 megabits per second.

### The Unisys Implementation of Token Ring

The Unisys implementation of token ring uses a device called a wire center, a rack-mounted box with connectors for eight workstations. One or more wire centers can be installed in one central wiring closet or in several wiring closets. The wire centers and the wiring closets are connected by shielded twisted pair cable called "ring trunk cable".

Individual workstations are connected to the wire centers by shielded twisted pair cable called "lobe cable" (see Figure 6-2). Normally, the lobe cable connects the wire center to a wall outlet near the workstation, and an adapter cable connects the workstation to the wall outlet.

**Note:** *Ring trunk cable, lobe cable, and adapter cable can consist of the same cable, namely shielded twisted pair. The different names are assigned only to indicate the function of a particular cable.*



2702.6-2

Figure 6-2. A Token Ring Network

## What is Token Ring Used For?

Token ring was originally designed to connect terminals to a host mainframe computer. Many token ring networks are still used for this purpose. In the CTOS environment, this usage is supported: clusters can communicate with a host mainframe in a token ring network if the proper terminal emulation or SNA software is installed.

However, a token ring network can also be used for peer-to-peer communication. For example, using BNet and the appropriate OSI software (see Appendix C, "Network Software"), clusters can communicate in a token ring network under the CTOS operating system.

## Section 7

# Requirements for an Ethernet Network

This section describes the hardware and software required for connecting a CTOS cluster to an Ethernet network. Typically, only the cluster server has an Ethernet module; the other workstations in the cluster access the Ethernet network via the Ethernet module connected to the server.

## Cluster Servers

Any shared resource processor or workstation with a hard disk *except B21 and B22* workstations can be used as a server in a cluster that is connected to an Ethernet network. However, B27 workstations support only 10Base2 (Cheapernet) if used as a cluster server.

*Note: Ethernet modules cannot be installed in shared resource processors. Therefore, if a shared resource processor is used as a cluster server, the Ethernet module must be installed in a cluster workstation, and XE-LAN Relay (or a new version of BNet II) software must be installed in the server.*

## Cluster Workstations

Any workstation can be used in a cluster that is connected to an Ethernet network. PCs that have the XT-bus or AT-bus ClusterCard can also be used.

## Ethernet Modules

In order to be connected to an Ethernet network, the server must have an Ethernet module installed. If the server is a shared resource processor, the Ethernet module must be installed in one of the cluster workstations, and XE-LAN Relay (or a new version of BNet II) software must be installed in the server.

### **MAU**

One medium attachment unit (MAU) is required for each server or workstation that is directly connected to the Ethernet network. One MAU is required for each repeater.

### **AUI Cable**

One attachment unit interface (AUI) cable is required for each Ethernet module.

### **Ethernet Cable**

If you are installing the Ethernet cabling, you need the following cable:

- Multidrop segment cable (10Base2 or 10Base5 coaxial cable)
- Link segment cable (optional, can be fiber optic, 10Base2, or 10Base5)

See Appendix A, "Cables," for cable specifications

### **Terminators**

Two terminators are required for each Ethernet cable segment

### **Repeaters**

Two repeaters are required for each link segment. Fiber optic link segments require fiber optic repeaters.

### **ClusterCard**

Each PC in the cluster requires a ClusterCard. ClusterCards are available for PCs with an XT-bus or AT-bus.

## Software Requirements

The following software is required to connect a cluster to an Ethernet network:

- Server and/or workstation operating system
- Intelligent Data Module System Service (IDMSS)
- XE-LAN Relay (allows use of shared resource processor servers)
- BNet II (allows use of shared resource processor servers)
- ClusterShare software (required for PCs in the cluster)
- Network software (see Appendix C, “Network Software”)





# Section 8

## Installing an Ethernet Network

This section provides general information about Ethernet site preparation, installation planning, configuration, and installation. It contains information about the following topics:

- Basic site preparation
- Installation planning
- Network configuration
- General installation procedures
- Modifying an existing network
- Connecting a cluster to an Ethernet network

***Note:** This section does not provide detailed installation instructions. For more detailed information, see the related documentation listed at the front of this manual in “About This Guide.”*

### Basic Site Preparation

To prepare your site for an installation, you must make sure that

- The planned installation meets all applicable safety and electrical codes
- All preinstalled Ethernet cabling is compliant with IEEE 802.3 specifications (see Appendix A, “Cables”)

### Who Should Install the Network

Only technical personnel familiar with installing coaxial cable should install or modify an Ethernet network. Electricians and licensed contractors may be required.

### Safety and Electrical Code Requirements

Make sure that the installation complies with local safety and electrical codes. Contact your local building code authority for requirements.

### Building Ownership Issues

Building ownership issues must be resolved before installing a network. Some of the issues involved are listed below:

- Do you own the building or lease the building? Some lease arrangements may impose restrictions on cable installations
- Will some type of operator's license be required?
- If more than one company in a building uses the network, who will be the network administrator? Who will maintain the network?

### Planning the Installation

Proper planning is critical to the success of an Ethernet installation. Planning an Ethernet network generally requires nine steps:

1. Conduct a site survey.
2. Obtain floor plans or building plans.
3. Identify workstation locations
4. Identify cable routes.
5. Calculate total trunk cable length.
6. Identify network component locations.
7. Create a network schematic diagram.
8. Determine the type and number of network components required.
9. Complete and maintain network documentation.

Each of these steps is described below in more detail.

**Note:** *The network planning information presented here is not intended to serve as a comprehensive checklist, but rather provides an overview of procedures commonly followed by network planners.*

### Conducting a Site Survey

In a site survey, an installation planner assesses the building to determine the type of cable to be installed and where to install it. Therefore, the location of power sources, risers, conduits, cable trays, fire walls, etc., as well as the existence of hazards or special restrictions are of primary importance. Normally, a site survey requires the assistance of the building site manager, or some other building authority who has a thorough knowledge of the building.

*Note: A site survey is especially critical in older buildings since these can be very difficult to cable: for example, old buildings frequently have solid floors, spline ceilings, or insufficient riser space or cable trays.*

### Obtaining Floor Plans

Obtain a current set of floor plans from the building facilities manager or other appropriate source. The floor plans are useful for showing the cable layout and for calculating the cable lengths required for the installation.

### Identifying Workstation Locations

On the floor plans, mark the locations where workstations are to be installed. Key factors to consider in planning a workstation location are the device's accessibility to users and the distance from the network cable to the workstation. (The AUI drop cable between the trunk cable and the workstation cannot exceed 50 meters.)

*Note: Be sure to include vertical runs as well as horizontal runs when determining the cable length between the workstation and the trunk cable.*

### Identifying Cable Routes

On the floor plans, mark the layout of the network trunk cable. In planning the cable layout, follow these guidelines:

- Do not exceed Ethernet cable segment limits (see "Configuring the Network")

- Make sure that the cable (fiber optic cable excepted) is routed separately from ac power cable to minimize electromagnetic interference. The cable should be kept the following distances from power cables:
  - 3 inches (75 mm) from ac cables with 2 kVA or less
  - 12 inches (300 mm) from ac cables with 2 kVA to 5 kVA
  - 40 inches (1 meter) from ac cables with 5 kVA or greater
  - 5 inches (130 mm) from fluorescent fixtures
- Locate network components (including cable connectors and terminators) where they can be easily serviced

*Note: If the network covers a large floor area, it may be more cost-effective to use longer drop cables or transceiver multiplexers instead of extra trunk cable and repeaters.*

### Calculating Total Trunk Cable Length

From the marked floor plans, calculate the length of trunk cable required. Make sure that you include all vertical cable runs as well as horizontal runs. In addition, make allowances for routing cable around obstacles.

*Note: Do not exceed cable segment limits. (See “Configuring the Network.”)*

### Identifying Network Component Locations

On the floor plans, mark the location of network components, such as terminators, repeaters, connectors, MAUs, drop cables, etc. Mark each of the component types with its own symbolic code.

### Creating a Network Schematic Diagram

From the marked floor plans, create a schematic diagram for the network, indicating cable types, cable lengths, and network components. The network schematic diagram is an essential map for future expansion or modification of the network.

### Calculating the Number and Type of Network Components

Using the network schematic diagrams, count and list the number of network components (e.g., connectors, terminators, MAUs, drop cables, repeaters, etc.) that are required for the network. Use this list to order the parts required for the network.

### Maintaining Records of the Network

Date and keep the final version of the marked floor plans as an “as-built” record of the network. Copies of this version may be made and used as working copies when network expansion or modification is undertaken. Be sure to keep a dated copy of the floor plans used in modifying or expanding the network.

The marked floor plans, network schematics, and other network documentation should be maintained by the network administrator.

### Configuring the Network

The main factors that you must consider when configuring an Ethernet network are :

- Network structural requirements
- Cable characteristics
- Maximum network size (number of cable segments)
- Maximum number of workstations
- Network configuration rules

### Network Structural Requirements

Only a single cable path is allowed between workstations: loops or parallel cable installations are not allowed.

## Cable Characteristics

Each type of cable supports a different maximum segment length, and a different maximum number of workstations. In addition, some types of cable can be used for both multidrop and link segments, while other types of cable can be used only for link segments. Table 8-1 lists the cable characteristics:

*Note: Only one type of cable can be used in a cable segment.*

**Table 8-1. Cable Characteristics**

---

Cable Type	Maximum Segment Size	Maximum Workstations Supported	Segment Type
10Base5 (Thicknet)	500 m	100	Multidrop and Link
10Base2 (Thinnet)	185 m	30	Multidrop and Link
Fiber Optic	1.0 km	0	Link Only

---

## Maximum Number of Cable Segments.

Table 8-2 shows the maximum number of cable segments allowed between any two workstations in an Ethernet network.

*Note: There can be no more than 4 repeaters between any two workstations.*

**Table 8-2. Maximum Segments Between Two Workstations\***

---

Segment Type	Maximum Segments Allowed
Multidrop	3
Link	2
Repeaters	4

---

\* There can be no more than a total of 5 cable segments between any two workstations in a network; of these, no more than 3 can be multidrop segments.

## Maximum Number of Workstations

A maximum of 1024 workstations are allowed in a single Ethernet network.

## Maximum Configuration Examples

Figures 8-1 and 8-2 provides examples of maximum Ethernet network configurations.

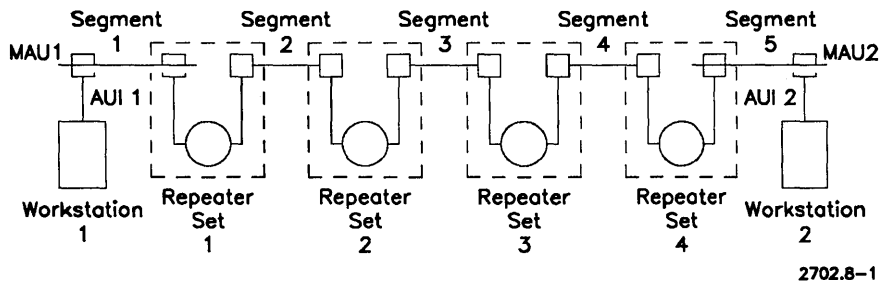


Figure 8-1. Maximum Data Path Between Two Workstations

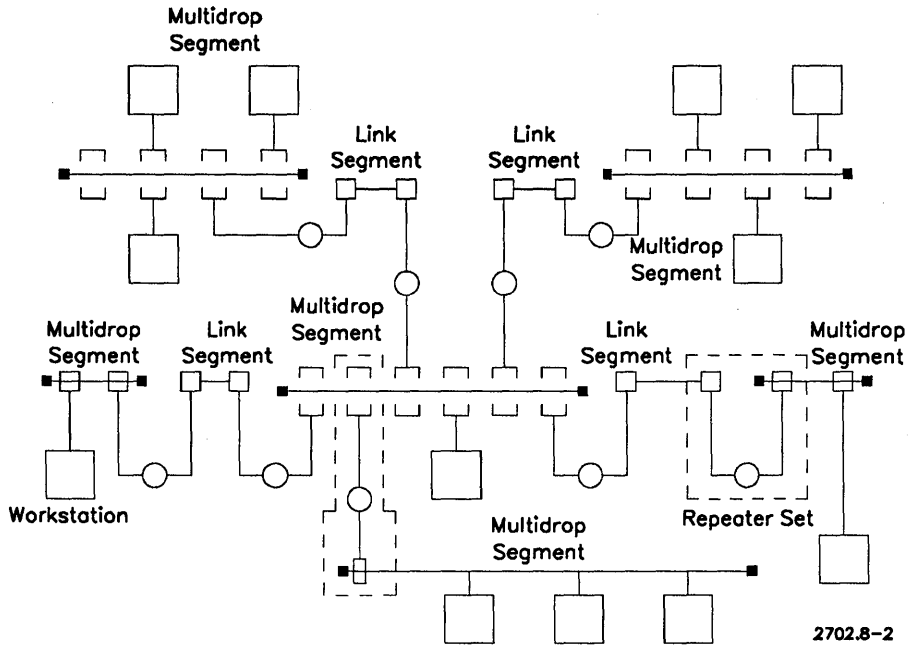


Figure 8-2. A Network with Maximum Data Paths

## Network Configuration Rules

When you plan the network configuration, you must follow these rules:

1. A repeater must be used to connect two segments.
2. No more than five cable segments (of which only three can be multidrop) and four repeaters can be between any two workstations in the network.
3. On a coaxial segment, a repeater can be located at any MAU position; on a link segment, repeaters must be located at the ends of the cable.
4. Workstations are connected to multidrop segments only, not to link segments.
5. A network can use different types of cable, provided that each segment is made up of a single cable type.



## Installation Overview

Installing an Ethernet network requires consideration of the following topics:

- Safety procedures
- Preinstallation tests
- Network grounding
- Rules for segmenting cable
- Installing cable
- Installing cable connectors and terminators
- Installing MAUs and AUI drop cables

*Note: The procedures described here are intended to provide an installation overview; they do not provide detailed installation instructions.*

## Safety Procedures

---

### WARNING

---

Cable installers are exposed to potential shock hazards. Therefore, only qualified electrical personnel should install cable. Sound installation and safety practices must be followed at all times.

---

All cabling systems, including Ethernet, are subject to electrical shock hazards from the following sources:

- Direct contact between network components and other electrical circuits
- Static charge build-up
- High-energy transients released into the network
- Potential differences between safety grounds linked by network cabling

## Installing an Ethernet Network

---

To minimize electrical shock hazards,

1. Make sure that the cable shield (coaxial cable) is grounded at only one point along the length of the cable.
2. Network components that come into contact with the cable and cable shield (that is, cable connectors and terminators) must be insulated by insulation boots or sleeves.
3. Ethernet cable must be electrically isolated from the AUI drop cable. Normally, this isolation is implemented in the MAU.
4. Do not allow the exposed cable shield to come into contact with any unintended conductors or grounds.
5. The cable shield should not be broken or exposed (for servicing or installation) if there is a likelihood of a high-energy transient in the cabling system.
6. Personnel should not contact both the cable shield and a grounded conductor at any time.
7. If it is necessary to sever coaxial cable, continuity between the cable segments must be maintained at all times.

*Note: The precautions listed above are not exhaustive: installation or service personnel should consult and be familiar with local, national, and international safety regulations governing cable installation and servicing.*

## Network Grounding

---

### WARNING

---

Improper grounding of the network cable or the equipment connected to it can cause hazardous voltages that can damage your equipment and injure persons coming into contact with the equipment.

---

To determine proper grounding, you should consult with a qualified electrician, as well as local building and electrical codes. However, you should consider the following:

1. Locate the safety grounds in your building and determine how and where they are connected, and what kind of equipment is connected to them. It is best if heavy machinery is on a separate ground bus.
2. Make sure that the building or safety ground has a sufficiently low impedance to prevent voltage drops from developing on the network.
3. Make sure that the network coaxial cabling is grounded at only one point.
4. Ground-bonding jumpers may need to be installed in buildings with more than one power distribution system or power source.

## Preinstallation Tests

The continuity of the trunk cable should be tested before the cable is installed. The most efficient way to do this is to test the cable while it is still in the drum, spool, or reel.

## Cable Segmentation Rules

When installing Ethernet coaxial cable, try to use a single cable (no breaks), if possible, in a single segment.

If you cannot use a single unbroken cable in a segment, observe the following rules:

1. If a segment is made up of smaller sections of cable, use cable from the same manufacturer and lot.
2. If a segment is made up of smaller sections of cable, some of which come from different manufacturers and/or lots, use only the following standard lengths: 23.4 meters, 70.2 meters, or 117 meters.

If none of the above cable segmentation rules can be followed, you can use any arbitrary arrangement so long as the worst-case signal reflection due to impedance discontinuity does not exceed the 802.3 specifications. (See IEEE 802.3 Section 8.6.2.1.)

# Installing Ethernet Coaxial Cable

When installing trunk cable,

1. Make sure that the bend radius limits of the cable are not exceeded.
2. Make sure that the cable is not crushed, kinked, or stretched.
3. Make sure that the metal cable shielding is not exposed in any way. Be especially watchful for sharp edges along the cable route.
4. Provide sufficient support for the cable and MAUs.
5. After cable has been installed, but before connectors and terminators are installed, check the cable for continuity.
6. Install connectors and terminators as needed, conducting the appropriate post-installation tests as each component is installed.
7. Make sure all connectors, terminators, and MAUs are easily accessible for servicing.
8. Mark both ends of a cable segment with the identification code marked on the network schematic diagram.

# Installing Connectors and Terminators

Follow these guidelines when installing connectors and terminators:

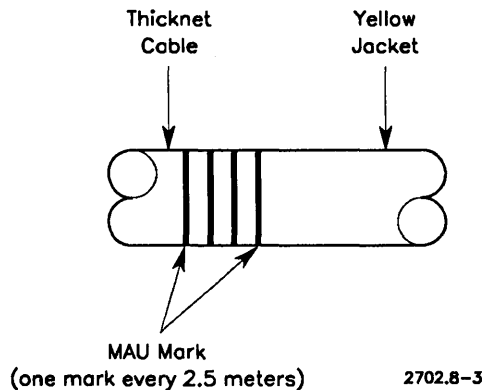
1. Thicknet (10Base5) cable segments must be terminated at both ends by an N-type plug connector (crimped type) attached to an N-type barrel connector installed at the end of the cable.
2. Thicknet cable sections are connected by an N-type barrel connector. An insulating boot must be placed over the connector.
3. Thinnet (10Base2) cable segments must be terminated at both ends by a BNC plug connector (crimped type). This connector plugs into a BNC T connector installed at the end of the cable.
4. Sections of a thinnet cable segment are connected by a BNC barrel connector. An insulating boot must be placed over the connector. (BNC T connectors can be used at planned MAU locations. However, it is best not to leave unused BNC T connectors in the network.)

**Note:** Label terminators as marked on the network schematic diagram.

## Installing MAUs and AUI Cables

Observe the following rules when installing MAUs and AUI cables:

- An MAU tap connector for a thicknet cable can only be installed at one of the 2.5 meter marks on the cable (see Figure 8-3)
- Tap connectors and MAUs are ground-isolated and therefore do not require further insulation
- Make sure you label all MAUs according to the identification codes on the network schematic diagram
- Some thicknet MAUs can be used in thinnet cabling, others cannot; check the specifications of an MAU before using it



**Figure 8-3. MAU Marks in Thicknet Cable**

- Although the maximum length for an AUI drop cables is normally 50 meters, some AUI cables have a shorter maximum length; check with the manufacturer of the cable to determine the maximums
- Normally, a single AUI drop cable is used to connect a workstation to an MAU; however, if an installation requires it, a maximum of 2 AUI drop cables can be connected together

### Modifying an Existing Network

Networks can be modified in four ways:

- By relocating or removing workstations from the network
- By extending the end of a cable segment
- By inserting a section of Ethernet cable
- By adding a new cable segment

**Note:** *Obtain the permission of the network administrator before modifying a network. Network floor plans and network schematics should be updated to reflect any changes.*

### Relocating or Removing Workstations

Network operation is not affected when workstations are removed or relocated on a thicknet cable segment; however, a workstation cannot be installed at a new location on a thinnet cable segment without shutting down the network.

**Note:** *Although a workstation can be removed from a thinnet cable segment without requiring a network shutdown, it is recommended that the network be shut down, and the BNC T connector replaced by an appropriate barrel connector.*

### Extending a Cable Segment

Extending a cable segment requires a network shutdown. To extend the end of a segment, remove the terminator from the end, install the additional cable as required, and install a terminator at the end of the added cable.

**Note:** *The total cable length (previous length + extension) cannot exceed the cable segment maximum.*

## Inserting Cable in an Existing Segment

More cable can be inserted in the middle of an existing cable run, provided that the resulting cable length does not exceed the maximum allowed for the cable segment. Inserting a section of cable will require network shutdown.

Inserting cable requires the severing of the existing cable segment and the installation of four connectors (one at each cable end).

**Note:** *If thicknet cable is inserted, it must be from the same manufacturer and lot as the existing cable segment.*

## Adding a New Cable Segment

To add a new cable segment, you'll need a minimum of two additional MAUs, two AUI drop cables, one repeater, and coaxial cable for the new segment.

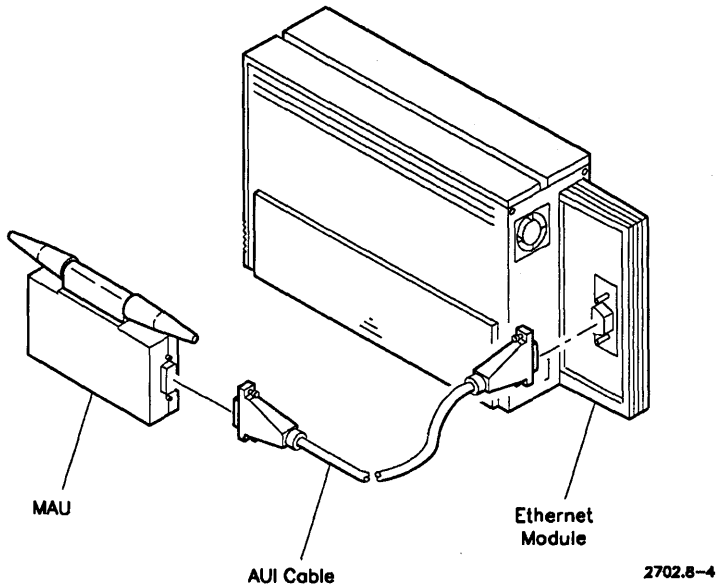
**Note:** *If two coaxial segments are to be connected by a link segment, you'll also need the link cable, one repeater for each end of the link cable, two MAUs and two drop cables for each repeater (for a total of two repeaters, four MAUs, and four drop cables).*

In selecting a location for a repeater, consider the following:

- The repeater requires mains power
- The repeater must be within drop cable range (50 meters) of both cable segments
- The repeater should be installed at the point where the two cable segments are closest

## Connecting a Cluster to an Ethernet Network

To connect a cluster to an Ethernet network, install an Ethernet module in the cluster server, and connect the module to an MAU that has been installed in the Ethernet multidrop segment (see Figure 8-5).



**Figure 8-4. Connecting an Ethernet Module**

Install IDMSS software in the server, along with any additional network software that is required (see Appendix C, "Network Software," for more information).

**Note:** *If cluster uses a shared resource processor as a server, the Ethernet module must be installed on a cluster workstation, and XE-LAN Relay (or a new version of BNet II) software must be installed in the server.*



## Section 9

# Requirements for a Token Ring Network

This section describes the hardware and software required for connecting a CTOS cluster to a token ring network. Normally, only the cluster server has a token ring module; the other workstations in the cluster access the network via the server's token ring module.

## Cluster Servers

Any CTOS workstation that has a hard disk, except B21, B22, and B27 workstations, can be used as a server in a cluster that is connected to a token ring network.

Shared resource processors **cannot** be used as a server in a cluster that is connected to a token ring network. Token ring modules are not available for shared resource processors.

## Cluster Workstations

Any CTOS workstation can be used in a cluster that is connected to a token ring network.

## Token Ring Module

One token ring module is required for each server connected to a token ring network.

## Cable

Token ring uses two-pair 150 Ohm shielded twisted pair cable. (See Appendix A, "Cables," for specifications.) There are several variations of token ring cable: these variations are frequently called IBM type 1, type 2, type 6, or type 9 cable.

### Wire Center

The Unisys implementation of **token ring** requires the use of wire centers. A wire center is a **19-inch rack mounted box** with connectors for 8 workstations. Wire centers are available from your Unisys representative.

### Repeaters

Repeaters are installed in pairs; a minimum of two repeater pairs is normally required. Contact your Unisys representative about the availability of repeaters.

### Software Requirements

The following CTOS software is required for a token ring network:

- Server and workstation operating system
- Intelligent Data Module System Service (IDMSS)
- Network software (see Appendix C, "Network Software")

# Section 10

## Installing a Token Ring Network

This section provides general information about token ring site preparation, installation planning, configuration, and installation. It contains information about the following topics:

- Basic site preparation
- Planning the installation
- Configuring the network
- General installation procedures
- Modifying an existing network
- Connecting a cluster to a token ring network

*Note: For more information, see the related documentation listed at the front of this manual in “About This Guide”.*

### Basic Site Preparation

To prepare your site for an installation, you must make sure that

- The planned installation meets all applicable safety and electrical codes
- Wiring closets are prepared for the wire centers
- Any preinstalled cable meets the specifications listed in Appendix A, “Cables”
- Building ownership issues are resolved
- A qualified network installer is employed

### Safety and Electrical Code Requirements

Make sure that the installation complies with local safety and electrical codes. Contact your local building code authority for requirements.

### Preparing Wiring Closets

Each wiring closet should have enough room for a standard 19-inch distribution rack. (If possible, all of the wire centers in one wiring closet should be installed in the same rack.) Make sure that there is sufficient room to connect cable between wire centers.

### Preinstalled Cable

If preinstalled cable is to be used, determine its type: type 1, type 2, type 6, or type 9. (See Appendix A, "Cables".

*Note:* A single network can make use of several different types of cable, provided that you use the same type of cable between any two wire centers and between a wire center and a workstation.

### Building Ownership Issues

Some of the building ownership issues are listed below:

- Does the customer own the building or lease the building? Some lease arrangements may impose restrictions on cable installations
- Will some type of operator's license be required?
- If more than one company in a building uses the network, who will be the network administrator? Who will maintain the network?

### Who Should Install the Network

Only qualified technical personnel should install or modify a token ring network. Electricians and construction personnel may be required.

## Planning the Installation

To plan a token ring network, you should

1. Conduct a site survey.
2. Obtain floor plans or building plans.
3. Identify workstation locations.
4. Identify wiring closet locations.
5. Determine how many wire centers are required.
6. Select a network configuration.
7. Identify repeater locations (optional).
8. Identify cable routes.
9. Determine the required cable lengths.
10. Complete and maintain network planning documents.

Each of these steps are described below in more detail.

### Conducting a Site Survey

In a site survey, an installation planner assesses the building to determine where to install cable, taking under consideration the location of power sources, risers, conduits, cable trays, fire walls, etc., as well as the existence of special hazards or restrictions. Normally, a site survey requires the assistance of the building site manager, or some other building authority who has a thorough knowledge of the building.

### Obtaining Floor Plans

A current set of floor plans should be obtained from the building facilities manager or other appropriate source. The floor plans are useful for showing the layout of the ring trunk cable, wiring closets, workstations, lobe cable, and repeaters.

### Identifying Workstation Locations

On the floor plans, mark the locations where workstations are to be installed. If possible, group workstations in multiples of eight because each wire center supports 8 workstations. Identify each group of eight workstations on the floor plan with a different character (for example, A-1, A-2 . . . A-8, B-1, B-2 . . . B-8, and so on).

**Note:** *No ring can have more than 260 workstations.*

### Identifying Wiring Closet Locations

On the floor plans, mark the locations where wiring closets are to be installed. (A wiring closet is a work area that contains one or more wire centers.)

Wiring closet locations must be planned to minimize the distances from workstations to wire centers. (See “Configuring the Network.”) In addition, a wiring closet must have ac power outlets.

### Determining the Number of Wire Centers

To determine the total number of wire centers required for the ring, divide the total number of workstations in the ring by eight (round up to the nearest whole number). *No ring can have more than 33 wire centers.*

On the marked floor plans, indicate how many wire centers you plan to install in each wiring closet. Also indicate the number of 9-foot cables and 32-foot cables used in each wiring closet.

**Note:** *Wire centers installed in the same distribution rack are connected by 9-foot cables; wire centers installed in different distribution racks (in the same wiring closet) are connected by 32-foot cables.*

### Selecting a Network Configuration

After determining the workstation and wiring closet locations, determine whether you need a single wiring closet, several wiring closets, whether you need to use repeaters, or whether you need to use bridges. (See “Configuring the Network” for more details.)

### Identifying Repeater Locations (Optional)

On the floor plans, mark the location of required repeaters. (See “Configuring the Network” for information about repeater locations.)

*Note:* When you are considering the maximum number of workstations in a network (260), remember that each repeater counts as one workstation.

### Identifying Cable Routes

Based on the marked floor plans, chart the layout of the ring trunk cable connecting wiring closets. (Be sure to indicate cable lengths.) Then chart the layout of the lobe cable connecting workstations to wire centers.

When you plan the cable layout, follow these guidelines:

- Don't exceed the maximum length allowed for the ring trunk cable or lobe cable (see “Configuring the Network”)
- Route cable separately from ac power cable to minimize electromagnetic interference; token ring cable should be kept the following distances from power cables:
  - 3 inches (75 mm) from ac cables with 2 kVA or less
  - 12 inches (300 mm) from ac cables with 2 kVA to 5 kVA
  - 40 inches (1 meter) from ac cables with 5 kVA or greater
  - 5 inches (130 mm) from fluorescent fixtures

### Determine Cable Lengths

Using the marked floor plans, calculate the length of ring trunk cable required to connect wiring closets (do not include the 9-foot and 32-foot cables linking wire centers in the same wiring closet). The total ring trunk cable length must not exceed the limits allowed for the network. (See “Configuring the Network.”)

Calculate the length of each lobe cable, and compare it to the maximum lobe length allowed for the ring (see “Configuring the Network”).

### Maintaining Network Documentation

Identify each wire center, distribution rack, workstation, lobe cable, and ring trunk cable with a label, and mark the floor plans accordingly.

Date and keep the final version of the marked floor plans as an “as-built” record of the network. Copies of this version may be made and used as working copies when the network is modified.

All of the marked floor plans and other network documentation can be maintained by the network administrator.

### Configuring the Network

There are four ways to configure a ring. You can use

- A single wiring closet
- Multiple wiring closets
- Bridges
- Repeaters

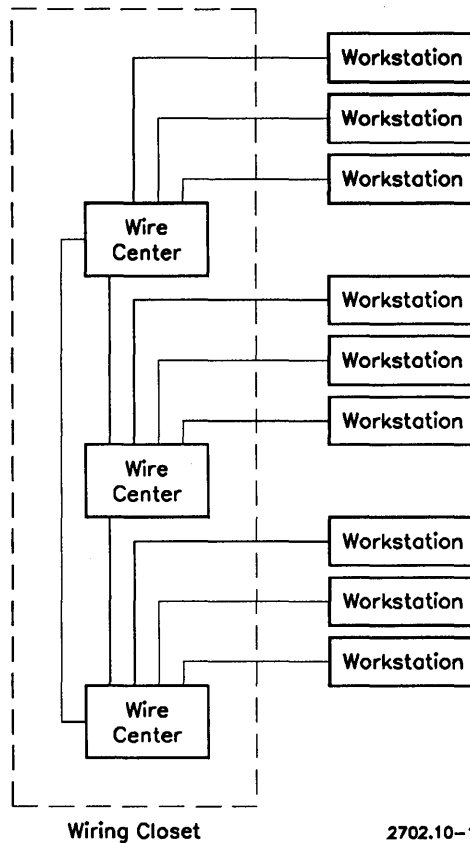
These four configurations differ in several ways, including the physical area that can be covered and the maximum length of the ring trunk cable. Each of these configuration methods is described below.

*Note: Whatever the ring configuration you choose, make sure that your design leaves room for future expansion.*

#### Using a Single Wiring Closet

If the workstations in a ring are grouped close together, it may be possible to use a single, central wiring closet. In this ring configuration, all of the lobe cables from the workstations lead to one central wiring closet (see Figure 10-1).





**Figure 10-1. Using a Single Wiring Closet**

## Maximum Lobe Length

The key factor in a ring with a single wiring closet is the maximum distance allowed between a wire center and a workstation. This distance is called the maximum lobe length. Table 10-1 shows the maximum lobe length for each type of cable.

**Table 10-1. Maximum Lobe Length**

Cable Type	Maximum Lobe Cable Length*
Type 1/Type 2	100 m
Type 6/Type 9	75 m

\* No cable between a workstation and a wire center can exceed this limit.

### How to Obtain Greater Lobe Length Maximums

The maximum lobe lengths listed in Table 10-1 assume a ring with the maximum number of workstations and wire centers installed (260 and 33, respectively). If your particular ring has fewer workstations installed, you may be able to use longer lobe cables.

*Note: Using longer lobe cables may restrict the future expansion of your network.*

If you need to use longer lobe cables than allowed in Table 10-1 above, use the formulas listed in Table 10-2 to determine the lobe length limits that apply to your ring.

**Table 10-2. Lobe Length Formulas**

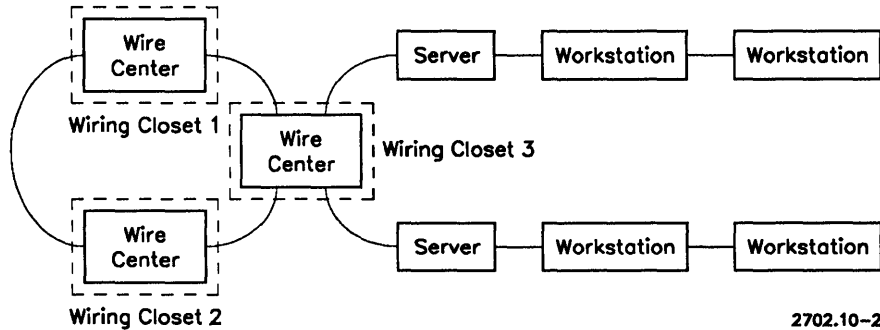
Cable Type	Formula
Type 1/Type 2	Max Lobe Length = $1280\text{ft} - (16.5\text{ft} \times S^* + 33\text{ft} \times L^{**})$
Type 6/Type 9	Max Lobe Length = $960\text{ft} - (16.5\text{ft} \times S^* + 33\text{ft} \times L^{**})$

\* S = the number of 9-foot cables used to connect wire centers (in the same rack)

\*\* L = the number of 32-foot cables used to connect wire centers (in different racks)

## Using Multiple Wiring Closets

If your ring must connect workstations dispersed over a larger area than can be served by a single wiring closet, you may have to distribute several wiring closets throughout the ring (see Figure 10-2). Install each wiring closet near groups of workstations.



2702.10-2

Figure 10-2. Using Multiple Wiring Closets

## The Maximum Drive Distance

The key factor to consider in a ring with several wiring closets is the maximum drive distance. The maximum drive distance is the total length of the cable connecting the wiring closets. (Do not include the cable connecting wire centers in the same wiring closet.)

The maximum drive distance varies from ring to ring, since the maximum allowed for any particular ring depends on the number of wire centers, wiring closets, and the maximum lobe length.

**Note:** *The maximum drive distance is normally limited to a few hundred feet at the most. To overcome these limitations you may have to use repeaters and/or fiber optic cable.*

Table 10-3 shows the formulas for determining the maximum drive distance.

**Table 10-3. Maximum Drive Distance Formulas**

Cable Type	Formula
Type 1/Type 2	Drive distance = 1280ft - (28.5 x W* + 15 x C** + 33 x T*** + L****)
Type 6/Type 9	Drive distance = 960ft - (28.5 x W* + 15 x C** + 33 x T*** + L****)

- \* W= the number of wire centers in the ring
- \*\* C = the number of wiring closets in the ring
- \*\*\* T = the number of 32-foot cables used to connect wire centers in different racks
- \*\*\*\* L = the maximum lobe length for the ring

**Note:** *The formulas assume the use of only one type of cable. If the installation uses both Type 1 and Type 6 cable, you can use modified formulas. If you use the Type 6 formula, be sure to multiply any length of Type 1 cable by a factor of 3/4 before using it in the formula. If you use the Type 1 formula, be sure to multiply any length of Type 6 cable by a factor of 4/3 before using it in the formula.*

### How to Obtain Greater Maximum Drive Distances

According to the formulas provided in Table 10-3, you can increase the maximum drive distance in several ways, if a greater drive distance is required. You can

- Use fewer wire centers
- Use fewer wiring closets
- Decrease the lobe lengths for the ring

Likewise, to increase the maximum lobe length, you can decrease the maximum drive distance, using the formulas in Table 10-3.

**Note:** *If you require a greater drive distance than is possible with the multiple wiring closet configuration, you may have to use repeaters or bridges.*

## Using Bridges

In a bridged ring configuration, several individual rings are connected together by means of bridges. This allows you to create large networks while keeping network maintenance to a minimum.

**Note:** *The limitations that apply to rings with a single wiring closet or with multiple wiring closets also apply to each of the rings in a bridged ring network.*

The bridge itself can be a file server, a dedicated bridge, or a workstation that also performs bridging functions. However, all three types of bridge require bridge software.

You can connect rings with three types of bridge:

- Simple bridge
- Parallel bridges
- Backbone bridge

Each of these type of bridging connection is described below.

### Simple Bridge

In a simple bridge connection, two rings are joined by a single bridge (see Figure 10-3). This type of connection is useful if most of the network traffic stays within the individual rings.

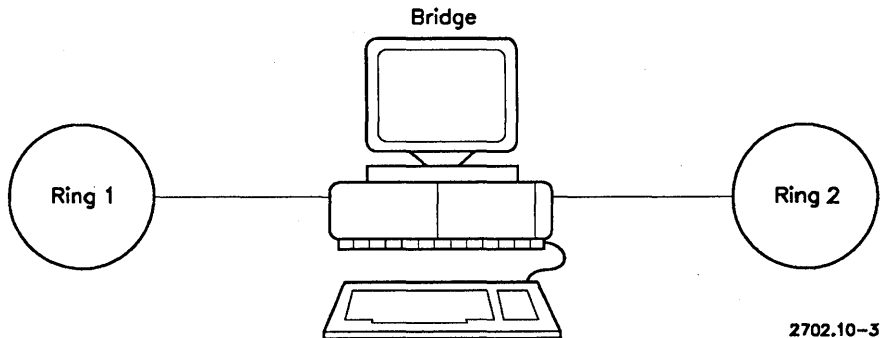
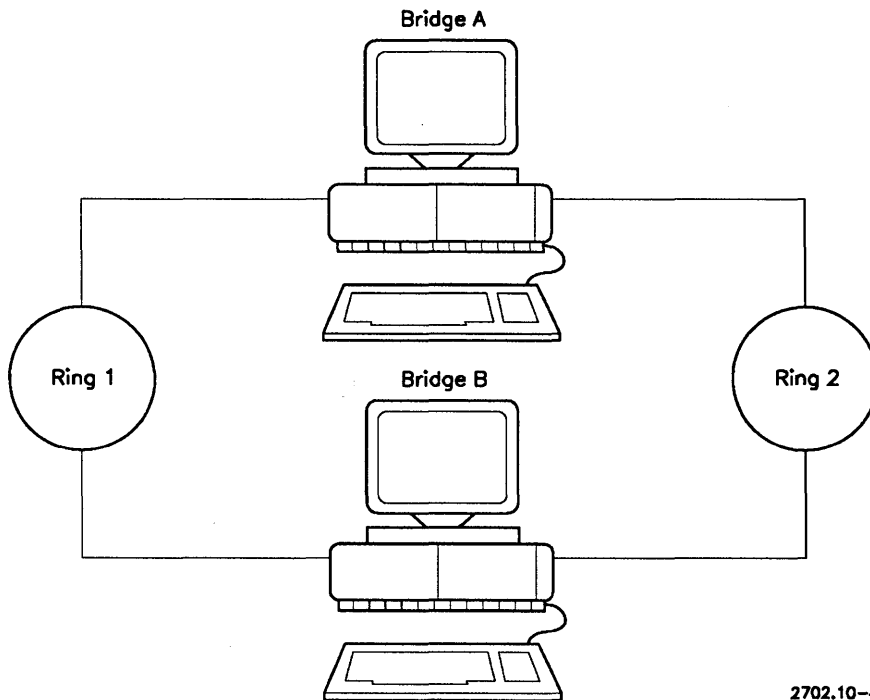


Figure 10-3. Simple Bridge

### Parallel Bridge

In a parallel bridge connection, two rings are joined by two or more bridges (see Figure 10-4). This type of connection is useful when much of the network traffic flows between rings.

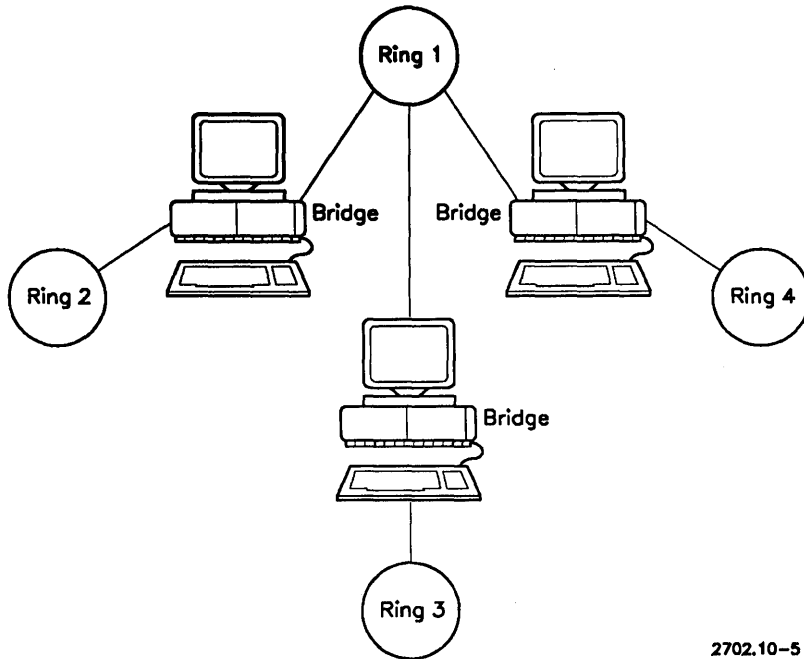


2702.10-4

Figure 10-4. Parallel Bridge

### Backbone Bridge

In a backbone bridge connection, individual rings are bridged to a main backbone ring (see Figure 10-5). This type of connection is useful for providing direct access to common resources (host computers, print servers, file servers, etc.) that are frequently accessed by the other rings.



2702.10-5

Figure 10-5. Backbone Bridge

## Using Repeaters

Repeaters are wire centers that also have signal repeating functions (signal reclocking and amplification); they are always installed in wiring closets with the other wire centers. Repeaters are installed to extend the ring over a larger area.

**Note:** Repeaters are always placed on the main ring path, never on lobe cables.

There are two types of repeaters:

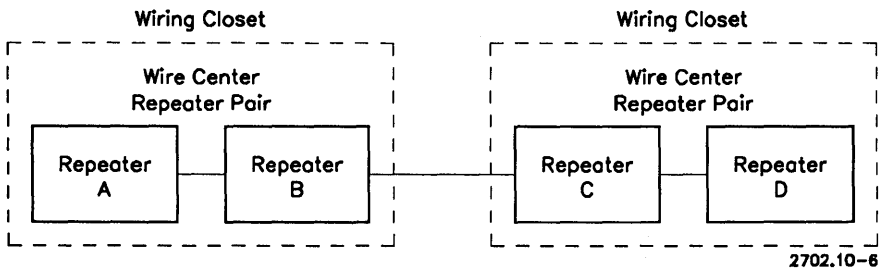
- Copper
- Fiber optic

The configuration rules applying to each type of repeater are described below in more detail.

**Note:** *When you are considering the maximum number of workstations in a network (260), remember that each repeater counts as one workstation.*

## Copper Repeaters

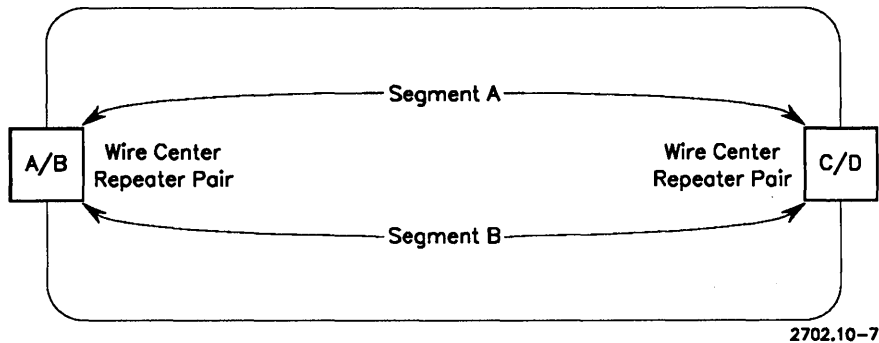
In a repeated ring, repeater pairs are installed to increase the maximum drive distance. Copper repeaters must be installed in sets of two pairs, with one pair of repeaters at each end of a cable link (see Figure 10-6).



**Figure 10-6. Repeater Pairs**

When using repeaters, treat each cable segment between two repeater pairs as a separate ring when you calculate the maximum drive distance (see Figure 10-7). For example, cable segment A is counted as one ring, and cable segment B is counted as a separate ring. This has the effect of increasing the maximum drive distance.





**Figure 10-7. Repeaters and Maximum Drive Distances**

When you design a ring using repeaters, make sure that the ring does not exceed the maximum drive distance allowed for each cable segment between two repeater pairs. To do this, you must complete the following procedures:

- Calculate the maximum drive distance allowed for each cable segment
- Calculate the actual drive distance

### **Calculating Maximum Drive Distances (Repeated Ring)**

The formulas for calculating the maximum drive distance for a cable segment between two repeater pairs are provided in Table 10-4.

## Installing a Token Ring Network

---

**Table 10-4. Maximum Drive Distance (Repeaters)**

Cable Type	Formula
Type 1/Type 2	Maximum drive distance = 1280 ft - (28.5 x W* + 15 x C** + 33 x T***)
Type 6/Type 9	Maximum drive distance = 960 ft - (28.5 x W* + 15 x C** + 33 x T***)

\* W= the number of wire centers within the ring segment (don't count the repeaters).

\*\* C = the number of wiring closets within the ring segment.

\*\*\* T = the number of 32-foot cables used to connect wire centers within the ring segment.

**Note:** *The formulas assume the use of only one type of cable. If the installation uses both Type 1 and Type 6 cable, see the note under Table 10-3.*

### Calculating Actual Drive Distances (Repeated Ring)

To calculate the actual drive distance of a cable segment between two repeater pairs,

1. Determine the length of the longest lobe cable in the cable segment.
2. Determine the length of cable connecting the two repeaters in each repeater pair. Determine which of these two cables is the longest.
3. Divide the length of each cable connecting repeater pairs by two. Compare the resulting lengths with the lobe cable in step 1: if the lobe cable is longer than either of these, go to step 4; if the lobe cable is shorter, skip to step 5
4. Calculate the actual drive distance as follows:

$$\text{Actual drive distance} = L^* + C^{**}$$

\* L = the length of the longest lobe cable.

\*\* C = the length of the cable between the two wire pairs (do not count the 9-foot and 32-foot cables used to connect wire centers in the same wiring closet).

5. Calculate the actual drive distance as follows:

$$\text{Actual drive distance} = R*/2 + C**$$

\* R = the length of the longest of the two repeater-to-repeater cables.

\*\* C = the length of the cable between the two wire pairs (do not count the 9-foot and 32-foot cables used to connect wire centers in the same wiring closet).

### Fiber Optic Repeaters

Fiber optic repeaters are required where fiber optic cable is used in a ring. Fiber optic cable is useful for the following types of installation:

- Rings that extend over large areas
- Rings that connect buildings
- Rings that have cable routed near sources of high energy emissions

One fiber optic repeater must be installed at each end of a fiber optic cable segment.

### Maximum Drive Length for Fiber Optic Ring Segments

The fiber optic cable between two repeaters cannot exceed two kilometers. If you need a longer length, install one repeater at 2 kilometer intervals on the cable.

*Note: You must calculate the maximum drive length for the rest of the ring separately.*

## General Installation Procedures

When you install a token ring network, consider the following factors:

- Safety procedures
- Network grounding
- Ring trunk cable and wire center installation procedures
- Repeater installation procedures
- Labelling network components

These procedures are described in more detail below.

### Safety Procedures

Installation or service personnel should consult and be familiar with local, national, and international safety regulations governing cable installation and servicing procedures.

---

#### WARNING

---

Cable installers may be exposed to potential shock hazards. Therefore, only qualified electrical personnel should install cable. Sound installation and safety practices must be followed at all times.

---

### Network Grounding

The cable shields must be connected at all cable and equipment connection points so that a completely grounded system is formed by the cable. In addition, there must be a common ground for all equipment attached to the ring.

### Installing Ring Trunk Cable and Wire Centers

A ring is formed by connecting wire centers with ring trunk cable. The cable must connect the Ring Out port on the first wire center to the Ring In port on the second wire center. This process is repeated until the required number of wire centers is installed.

After the last wire center is installed, a cable should connect the Ring Out port on the last wire center to the Ring In port of the first wire center in the ring. This completes the ring.

**Note:** *The ring can function if the last wire center is not connected to the first wire center (an open ring configuration). However, although leaving the first and last wire centers unconnected allows the ring to extend over a wider area, this practice is not recommended. An open ring is more susceptible to outages, makes fault isolation more difficult, and generally does not perform as well as a true ring.*

If possible, install all of the wire centers in one wiring closet in the same distribution rack.

If possible, use the same type of ring trunk cable; this will simplify network planning, maintenance, and expansion. However, you can mix cable types, provided that there is only one type of cable between any two wire centers, or between a wire center and a workstation.

### Installing Repeaters

Install the first pair of repeaters in the wiring closet that has the most wire centers. Install the second pair of repeaters in a wiring closet as far away as possible without exceeding drive distance limitations (see “Configuring the Network”).

The repeater pair should be installed either as the first wire centers in a wiring closet or as the last wire centers in the wiring closet. This will simplify network planning and expansion.

*Note: When you are considering the maximum number of workstations in a network (260), remember that each repeater counts as one workstation.*

### Labelling Network Components

Label wire centers, ring trunk cable between wire centers, lobe cables, repeaters, and workstations with unique identification codes when they are installed. (Cable labels should also include the length of the cable.) Mark the identification codes and lengths on the network floor plans, cable schedules, or other documentation.

### Modifying an Existing Network

A ring network can be modified in five ways:

- By removing or adding workstations from the ring
- By removing or adding wire centers
- By removing or adding repeaters
- By splitting one ring into separate rings
- By combining separate rings into a single ring

*Note: Obtain the permission of the network administrator before modifying a network. Update network floor plans and other documentation to reflect any changes.*

### Removing or Adding Workstations

A workstation can be removed or added to a token ring network without affecting network operation. To remove a workstation, power off the workstation and disconnect the lobe cable from the workstation. Update the network documentation.

To add a workstation, connect a lobe cable from the wire center to the token ring adapter on the workstation. Make sure that the workstation addition does not cause ring limits to be exceeded. (See “Configuring the Network”.) Update the network documentation.

### Removing or Adding Wire Centers

To remove a wire center, disconnect all lobe cables and ring trunk cables connected to it, and remove the wire center from the distribution rack. Make sure that you close the ring by connecting the wire centers on both sides of the removed wire center. Connect the lobe cables to another wire center as required. Update the network documentation.

Before adding a wire center, make sure that the addition is within the limits allowed by the ring configuration. Then determine the best location for the wire center. Connect ring trunk cable and lobe cable as required. Update the network documentation.

### Removing or Adding Repeaters

Remove repeaters only if several wire centers are being removed, or if the ring is being split into two or more rings. To remove repeaters, follow the procedure for removing a wire center.

To add repeaters, follow the procedures for adding a wire center.

### Splitting a Ring Into Separate Rings

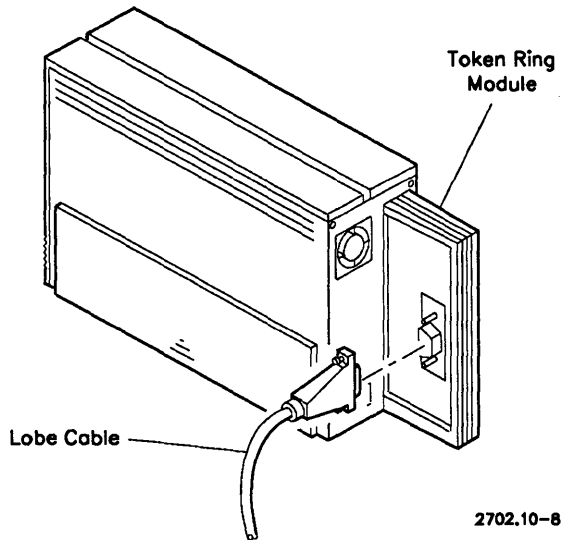
When you split a ring into two or more rings, make sure that each new ring has a complete ring path. If possible, verify the correct operation of each ring. Update the network documentation.

### Combining Separate Rings Into a Single Ring

When you combine two or more rings into one ring, make sure that no ring size limits are exceeded. You may have to add repeaters. Make sure that there is a complete ring path. If possible, verify the correct operation of the ring. Update the network documentation.

### Connecting a Cluster to a Token Ring Network

To connect a cluster to a token ring network, install a token ring module in the cluster server, and connect the module to a lobe cable (see Figure 10-8).



**Figure 10-8. Connecting a Token Ring Module**

Install IDMSS software in the server, along with any additional network software that is required (see Appendix C, "Network Software" for more information).

**Note:** *If the cluster has a shared resource processor server, you cannot connect the cluster to a token ring network. No token ring module is available for shared resource processors.*





## **Part III**



# Section 11

## Introduction to Wide Area Networks

This section introduces two electrical interfaces that are used in the CTOS environment to connect to wide area networks (WANs). These interfaces are X.21 and RS-232. This section provides information about

- What a WAN is
- WAN connections using X.21
- WAN connections using RS-232

### What is a Wide Area Network?

A wide area network (WAN) is a network that connects computers, terminals, or local networks at a regional, national, or international level. Any network connection that exceeds a 2.5 km area can be considered a WAN. WANs are normally connected through public telephone networks.

Due to the distances spanned by the network, WANs typically have much lower data rates and much higher error rates than LANs.

### Connecting to a WAN

In the CTOS environment, two interfaces are available for connection to a WAN: X.21 and RS-232. These two differ significantly in many respects, but the main differences are speed and data integrity. Each of these two interfaces is described in more detail below.

### WAN Connections Using X.21

The X.21 electrical interface is a standard that applies to signals between a computer X.21 port and an X.21 DCE (Data Circuit-terminating Equipment), a device capable of transmitting data at high rates over digital data lines. (The X.21 interface is capable of data transmission rates up to 56 Kbps.)

Although the X.21 interface supports circuit switching, it is often used to link X.25 packet switched networks.

### WAN Connections Using RS-232

The RS-232 standard was first published by the AEIA in 1962 as a general purpose electrical interface between DTEs and DCEs. RS-232 supports synchronous or asynchronous data transmission in full duplex or half duplex mode. Although this interface can support data rates up to 20 kilobits per second, its normal transmission medium (analog telephone networks) effectively limit the data rates to 9.6 kilobits per second.

RS-232 is a much-used interface, despite efforts to replace it with superior interfaces (RS-422 and RS-449). Most computer systems are equipped with this interface. Because of its popularity, modems designed for this RS-232 are plentiful and inexpensive.

RS-232 is chiefly used over public telephone (analog) networks in transmitting lower volumes of data.

RS-232 is an electrical interface used or supported by many networking applications. Some of these applications are listed below:

- ASCII terminals
- Poll/Select terminals
- UNISCOPE terminals
- RJE
- X.25
- SNA
- BNA
- DCA

RS-232 is frequently used to connect a CTOS cluster or workstation to

- Other clusters
- Non-CTOS computer systems
- RS-232 devices

**Note:** *Other networking options other than the one described above are available. For example, you could use terminal emulator software for file access and transfer. Refer to the BNet II manual or Appendix C, "Network Software", for more information.*



# Section 12

## Requirements for Using X.21

This section describes the hardware and software required to use the X.21 interface in networking.

In order to connect to an X.25 network, the cluster server must have an X.21 port. This port is provided by an X-Bus module or by some processor boards designed for shared resource processors. Normally, the X.21 interface is connected to an X.21 DCE.

### Cluster Servers

Any workstation with a hard disk (except B21 or B22 workstations) can be used as a server in a cluster connected to another network by the X.21 network. Shared resource processors can also be used as cluster servers.

### Cluster Workstations

Any CTOS workstation can be used as a workstation in a cluster that is connected to another network by the X.21 interface.

### Personal Computers

PCs with a ClusterCard installed can be used in a cluster that is connected to another network by the X.21 interface.

### Communication Modules

The B25-ID2 X-Bus communications module provides an X.21 port for CTOS workstations. A workstation requires this module if the workstation is used as a server in a cluster connected to another network by the X.21 interface.

### Processor Boards

Several processor boards designed for shared resource processors provide X.21 ports:

- GP processors boards
- CP processors boards
- TP processors boards
- FP processors boards

A shared resource processor must have one of these processor boards in order to connect to another network via the X.21 interface.

### Data Communication Equipment (DCE)

You need an X.21 DCE to link a cluster to another network. Consult your Unisys representative about the availability of this DCE and the DCE cable.

### Software Requirements

The following software is required:

- Server or workstation OS
- Intelligent Data Module System Service (IDMSS) for B25-ID2 module
- X.25 gateway software (required for connecting a cluster to an X.25 packet switched network); see Appendix C, “Network Software” for more information



## Section 13

# Using the X.21 Interface

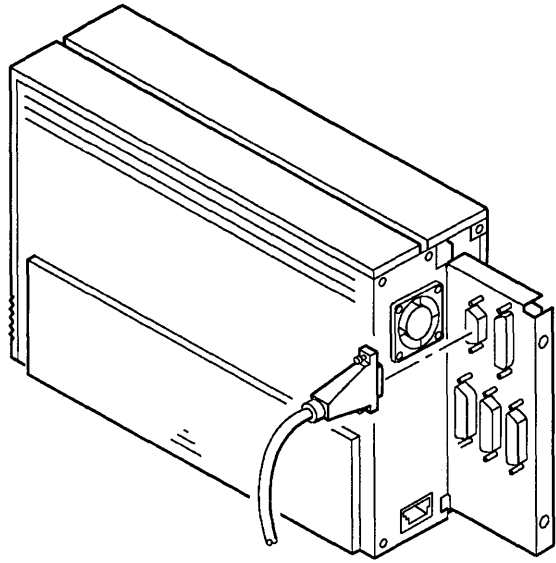
This section shows how to connect an X.21 DCE to the X.21 port on the B25-ID2 communications module; it also describe the signals used by the X.21 electrical interface. These signals pass over a straight-through cable to an X.21 DCE for transmission to X.25 networks.

## Connecting to an X.25 Network

To connect a cluster to remote X.25 networks, you normally have to connect an X.21 DCE to the cluster server's X.21 port and install the software required to communicate with the remote systems.

## Connecting to an X.21 DCE

To connect an X 21 DCE, locate the 15-pin X.21 port on the B25-ID2 or B25-DCX module installed in the cluster server. Connect an X.21 cable to this port (see Figure 13-1), then connect the other end of the cable to the X.21 DCE.



2702.13-1

**Figure 13-1. Connecting the X.21 Port**

## X.21 Signals

The signal pinouts from the X.21 port are listed below. Refer to the documentation provided with the X.21 DCE to determine which signals are required.

---

Pin	Circuit Description
1	Frame Ground
2	Transmit (A)
3	Control (A)
4	Receive (A)
5	Indication (A)
6	Signal Element Timing (A)
7	Not Used
8	Signal Ground
9	Transmit (B)
10	Control (B)
11	Receive (B)
12	Indication (B)
13	Signal Element Timing (B)
14	Not Used
15	Not Used

---



## Section 14

# Requirements for Using RS-232

This section describes the hardware and software required to connect a cluster to other clusters or to non-CTOS networks using the RS-232 interface.

Typical hardware requirements include a cluster server or cluster workstation, RS-232 cable, and a modem.

## Cluster Servers

Any CTOS workstation with a hard disk can be used as a server in a cluster that is connected to other networks through the RS-232 interface. Shared resource processors can also be used.

## Cluster Workstations

Any CTOS workstation can be used in a cluster that is connected other networks through the RS-232 interface.

## Communications Modules

Although all CTOS workstations provide an RS-232 port, you can use a port expander X-Bus module. This module provides four bidirectional RS-232 ports. You can install a maximum of two such modules per workstation.

**Note:** *The combined baud rate of the four RS-232 ports on the port expander module cannot exceed 9600. For example, if three ports are each operating at 2400 baud (for a combined baud rate of 7200), the remaining port must operate at 2400 baud or less.*

### Cable

You'll need RS-232 cable to connect RS-232 devices to a CTOS workstation or server. See Section 15, "Using the RS-232 Interface," for a description of the different cable types.

### Modems

The most common way to connect networks via the RS-232 interface is to use a modem. Modems can be used for short or long distance connections, normally over public telephone lines (leased-line or dial-up). Refer to the *CTOS Modem Service Operations and Programming Guide* for a list of CTOS supported modems.

### Software Requirements

The following software is required:

- Server or workstation operating system
- Network, emulator, or application software (required for connecting a cluster to other clusters or to other networks: see Appendix C, "Network Software")
- Modem system service for modems
- Generic Print System (GPS) for most printers

# Section 15

## Using the RS-232 Interface

This section describes two common uses of the RS-232 interface in the CTOS environment:

- Using RS-232 to connect a cluster to other clusters
- Using RS-232 to connect a cluster to non-CTOS systems

### Connecting a Cluster to Other CTOS Clusters

There are two ways to connect clusters using the RS-232 interface:

- By modem
- By a direct cable connection

Widely dispersed clusters are frequently connected by modem over leased lines or over dial-up public telephone lines. Clusters located closer together can be connected directly by RS-232 cable, which allows for faster transmission speeds and eliminates the need for modems.

(However, the total length of the RS-232 cable cannot exceed 50 feet.)

### Connecting Clusters By Modem

To connect a cluster to other clusters by modem,

1. Connect a modem to each cluster server. Make sure that there are no more than 50 feet of RS-232 cable between the modem and the server. (See the *CTOS Modem Service Operations and Programming Guide* for a list of supported modems.) Connecting the modem to the cluster server will allow any workstation in the cluster to use the modem to access other clusters.

**Note:** *You can also connect a modem to a cluster workstation. However, only that workstation will be able to use that particular modem.*

The maximum number of modems that can be installed in a given server or workstation depends on the number of RS-232 ports available. However, additional software limitations may be imposed by the modem service or by the network software.

2. If you intend to use asynchronous transmission, install the modem service. (See the *CTOS Modem Service Operations and Programming Guide* for more information.) If you intend to use only synchronous transmission, you don't need to install the modem service. (Instead, you must install the HDLC synchronous media service provided by BNet II software.)
3. Install CTOS BNet II network software. (See the *CTOS BNet II Installation, Configuration, and Administration Guide* for information on installing and using BNet.) BNet logically extends the CTOS operating system over a network of CTOS clusters. This allows each cluster workstation to access other connected clusters under the CTOS operating system.

**Note:** *If you must disconnect a modem, disconnect the RS-232 cable from the workstation or server before disconnecting the modem. Otherwise, the system may hang or fail.*

### Connecting Clusters By Direct Cable Connection

You can use a direct RS-232 cable connection, instead of using a modem. However, the length of the cable cannot exceed 50 feet.

To directly connect a cluster to other clusters by an RS-232 cable, perform the following steps:

1. If you intend to use asynchronous transmission, use an asynchronous crossed cable (see Appendix A) to connect the cluster server to another cluster server. Then install the modem service, but do not install a modem. (See the *CTOS Modem Service Operations and Programming Guide*.)
2. If you intend to use synchronous transmission, use a synchronous crossed cable (see Appendix A) to connect the cluster server to another cluster server. Be sure to install the BNet HDLC synchronous media service when you install the BNet II software.



3. Install CTOS BNet II network software. (See the *CTOS BNet II Installation, Configuration, and Administration Guide* for information on installing and using BNet.) BNet allows each cluster workstation to access other connected clusters under the CTOS operating system.

**Note:** *If you must disconnect the RS-232 cable, disconnect the cable simultaneously from both servers: otherwise, the system may hang or fail.*

## Connecting a Cluster to Non-CTOS Systems

A cluster can be connected to non-CTOS computer systems by modem or by a direct RS-232 cable connection. Although the hardware connection rules are the same as those for connecting clusters by modem or by RS-232 cables, the software requirements differ substantially.

In order to communicate with a non-CTOS system over RS-232 links, the cluster server or cluster workstation normally uses some sort of terminal emulation software. However, other options are also available. (See Appendix C, "Network Software.")

**Note:** *All RS-232 cables connected to a workstation should be connected to an RS-232 device or to another workstation. Otherwise, if one cable end is left free or unconnected, spurious interrupts may be generated, and the workstation may hang or fail.*



# Appendix A

## Cables

This appendix provides key specifications, connector pin assignments, and drawings for the following cable:

- Cluster cable, terminators, and adapter cables
- TeleCluster cables (unshielded twisted pair) and adapter cables
- Ethernet cable
- Token ring cable
- Parallel printer and scanner cables
- RS-232 serial cables: printer and scanner cables, modem cables, asynchronous and synchronous crossed cables

*Note: This appendix does not provide the complete cable specifications. For the complete cable specifications, consult your Unisys representative.*

This appendix does not provide cable information for specific printers (see the *CTOS Generic Print System Administration Guide*). Nor does this appendix provide information about keyboard or video cables; consult your Unisys representative if you need information about these cables.

## Where to Find Cable

Your Unisys representative is the best source for reliable cable. However, if you want to use cable from another source, make sure it meets the key specifications listed in this appendix. (For best results, refer to the complete cable specifications available from your Unisys representative.)

## Cluster Cable

There are two types of Cluster cable: standard cable (100 Ohm), and extended length cable (140 Ohm). Both types support the 3.7 Mbps cluster speed, but extended length cable can be used over greater distances.

The specifications for each type are listed in tables. Connector pinout are provided below the tables, as well as a cable drawings

## Cable Specifications

Tables A-1 and A-2 list the key specifications for both cluster cable types.

**Table A-1. Standard (100 Ohm) Cable Specifications**

---

<b>Category</b>	<b>Specification</b>
Impedance	100 Ohm +/- 10 Ohms @ 2 MHz
Attenuation	14 dB/1000 ft max @ 2 MHz
Far-end crosstalk	Min: 50 dB/1000 ft from 1 MHz to 10 MHz
Wire	Four 24 AWG conductors, stranded recommended, (2 twisted pair) plus drain wire
Conductor resistance	Max: 26.2 Ohm/1000 ft @ 20C
Wire colorcode	One pair is black/white; the other pair is green/red
Shield	Aluminized polyester/tinned copper braid, 90% braid coverage

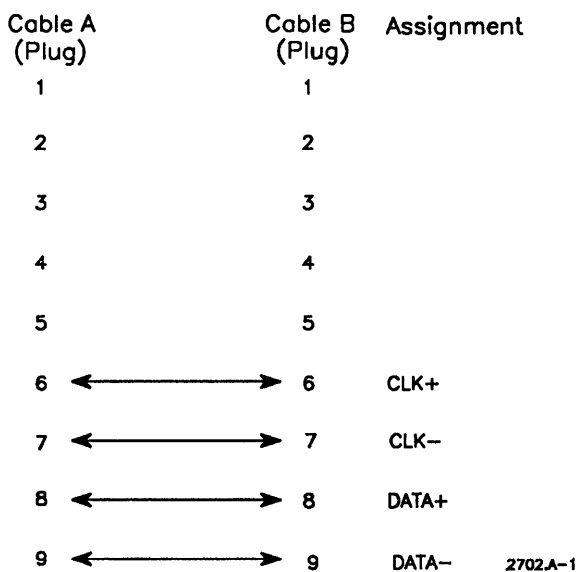
---

**Table A-2. Extended Length (140 Ohm) Cable Specifications**

Category	Specification
Impedance	140 Ohm +/- 10 Ohms @ 2 MHz
Attenuation	5 dB/1000 ft max @ 2 MHz
Far-end crosstalk	Min: 50 dB/1000 ft from 1 MHz to 10 MHz
Wire	Four 22 AWG conductors, stranded recommended (2 twisted pair) plus drain wire
Conductor resistance	Max: 16.7 Ohm/1000 ft @ 20C
Wire color code	One pair is blue/white; the other pair is green/red
Shield	Aluminized polyester/tinned copper braid, 85% braid coverage

## Cluster Cable Connector Pin Assignments

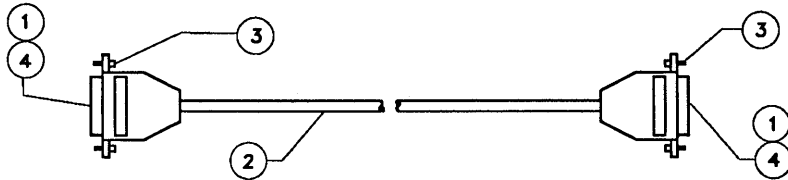
The signals for cluster cable are shown below (see Figure A-1).

**Figure A-1. Cluster Cable Pin Assignments**

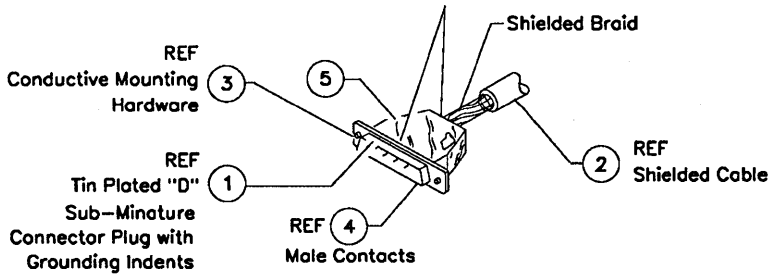
## Cluster Cable Drawing

A drawing for cluster cable is provided below (see Figure A-2).

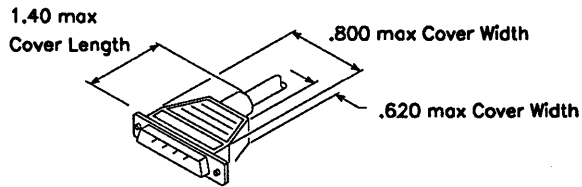
**Note:** *The cable shield must be connected to the connector shell. The drain wire must be connected to connector pin 1.*



Crimp Style Ferrule or Solder Flow for 360°  
 Connection Between Braid and Metallic Shield and  
 Between Connector and Metallic Shield



Braid Shield/Metallic Shield/Connector Shell  
 Connection – Typ Both Ends  
 (Molded Cover Not Shown for Clarity)



Molded Cover Construction – Typ Both Ends

2702.A-2

Figure A-2. Cluster Cable Drawing

Item	Quantity	Description
1	2	9-pin D-type plug assembly (male). Use AMP part number 205204-4 or equivalent.
2	As needed	4-conductor twisted pair shielded cable, stranded conductors recommended.
3	4	Screw and retainer, male
4	8	Connector contacts. Use AMP part number 66507-3 or equivalent.
5	As needed	Copper foil

### Cluster Cable Terminator Pin Assignments

The pin assignments for 100 ohm cluster cable terminators are shown below (see Figure A-3). The 140 ohm terminators are identical except that 140 ohm resistors are used, rather than 100 ohm resistors.

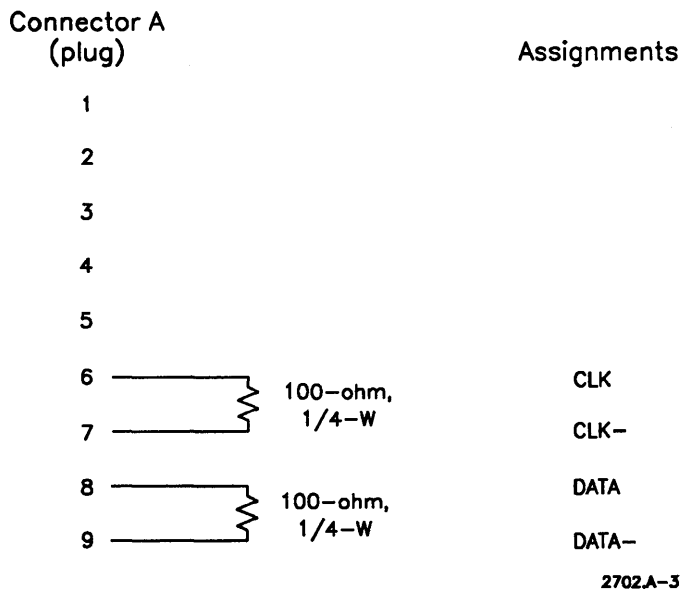


Figure A-3. Terminator Pin Assignments

### Cluster Cable Terminator Drawing

A drawing for cluster cable terminators is provided below (see Figure A-4).

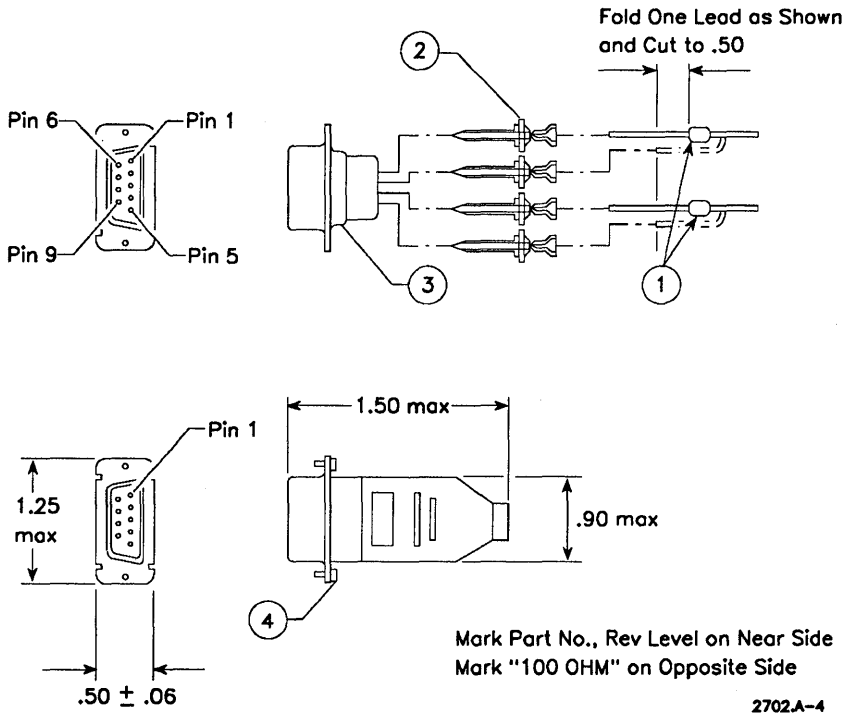


Figure A-4. Terminator Drawing



Item	Quantity	Description
1	2	100 ohm, 1/4-W resistor (140 ohm resistor for 40 ohm terminators)
2	4	Connector contacts. Use AMP part number 66507-3 or equivalent.
3	1	9-pin D-type plug assembly (male). Use AMP part number 205204-4 or equivalent.
4	2	Screw and retainer, male.

### ClusterCard Adapter Cable Pin Assignments

The DB9-RJ45 adapter cable is required for connecting cluster cable to AT-bus ClusterCards (see Figure A-5). The pin assignments are shown below.

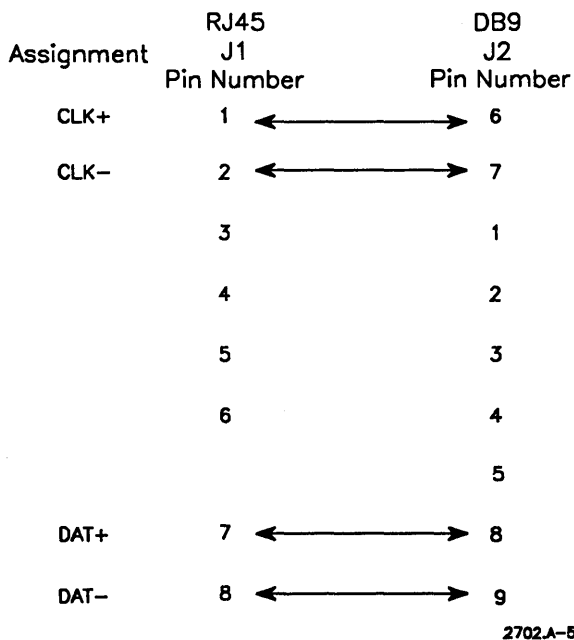


Figure A-5. DB9-RJ45 Adapter Pin Assignments

### ClusterCard Adapter Cable Drawing

The DB9-RJ45 adapter cable is shown below (see Figure A-6).

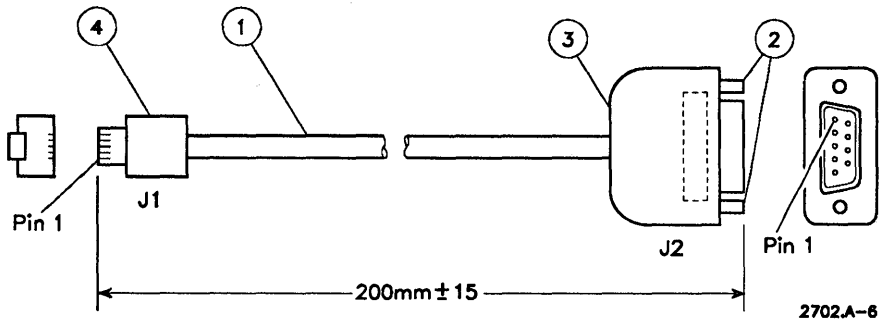
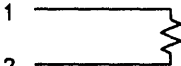
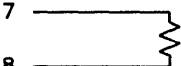


Figure A-6. DB9-RJ45 Adapter Drawing

Item	Quantity	Description
1	As needed	Two twisted pair cable, 28 AWG, stranded conductors, with foil and braid shield.
2	2	Fixed #4-40 female screwlocks.
3	1	Molded 9-pin D-subconnector, female.
4	1	8-position shielded RJ45 connector (must mate with AMP receptacle part number 555153-3)

### ClusterCard RJ45 Terminator Pin Assignments

A 100 ohm RJ45 terminator is required for an AT-bus ClusterCard that is at the end of a cluster daisy chain. The pin assignments are shown below (see Figure A-7).

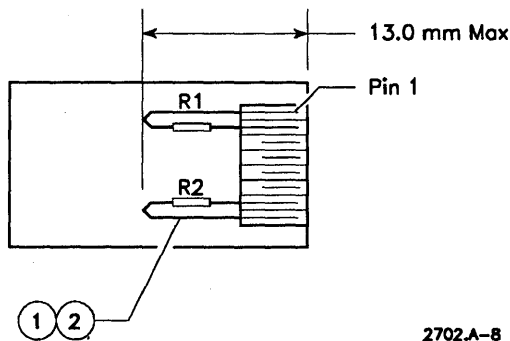
Pin Number		Signal
1		CLK+
2		CLK-
3		NC
4		NC
5		NC
6		NC
7		DAT+
8		DAT-

2702.A-7

**Figure A-7. RJ45 Terminator Pin Assignments**

### ClusterCard RJ45 Terminator Drawing

The 100 ohm RJ45 terminator is shown below (see Figure A-8). Insulated tubing should be placed over the leads of each resistor to prevent shorting. Crimp the resistor leads through the tubing.



**Figure A-8. RJ45 Terminator Drawing**

## Cables

---

Item	Quantity	Description
1	2	100 ohm resistor, 1/8W, 2% carbon film with 26 AWG leads.
2	1	8 position modular jack, RJ45. Part must mate with AMP part number 555153-1

## Unshielded Twisted Pair (TeleCluster)

You can use three sizes of unshielded twisted pair (UTP) for Advanced TeleCluster: all three sizes support the 3.7 Mbps cluster speed, but the larger cable can be used over greater distances. (See Section 5, "Installing TeleCluster," for more information.)

### Cable Specifications

Tables A-3, A-4, and A-5 list the key specifications for TeleCluster cables..

**Table A-3. 22 AWG UTP Cable Specifications**

Category	Specification
Impedance	100 Ohm +/- 15 Ohms from 1 MHz to 4 MHz
Attenuation	Max: 6.5 dB/1000 ft @ 1 MHz 14.2 dB/1000 ft @ 4 MHz 26.0 dB/1000 ft @ 10 MHz
Near-end crosstalk	Min 41 dB/1000 ft @ 1 MHz 32 dB/1000 ft @ 4 MHz 26 dB/1000 ft @ 10 MHz
Wire	22 AWG solid copper conductors (twisted pairs, 2 turns per foot)
Conductor resistance	Max: 17.6 Ohm/1000 ft @ 20C

**Table A-4. 24 AWG UTP Cable Specifications**

Category	Specification
Impedance	100 Ohm +/- 15 Ohms from 1 MHz to 4 MHz
Attenuation	Max: 7.8 dB/1000 ft @ 1 MHz 16.0 dB/1000 ft @ 4 MHz 30.0 dB/1000 ft @ 10 MHz
Near-end crosstalk	Min: 41 dB/1000 ft @ 1 MHz 32 dB/1000 ft @ 4 MHz 26 dB/1000 ft @ 10 MHz
Wire	24 AWG solid copper conductors (twisted pairs, 2 turns per foot)
Conductor resistance	Max: 28.6 Ohm/1000 ft @ 20C

**Table A-5. 26 AWG UTP Cable Specifications**

Category	Specification
Impedance	100 Ohm +/- 15 Ohms from 1 MHz to 4 MHz
Attenuation	Max: 8.6 dB/1000 ft @ 1 MHz 18.6 dB/1000 ft @ 4 MHz 34.9 dB/1000 ft @ 10 MHz
Near-end crosstalk	Min: 41 dB/1000 ft @ 1 MHz 32 dB/1000 ft @ 4 MHz 26 dB/1000 ft @ 10 MHz
Wire	26 AWG solid copper conductors (twisted pairs, 2 turns per foot)
Conductor resistance	Max: 44.7 Ohm/1000 ft @ 20C

## RJ11-RJ45 TeleCluster Adapter Cable Pin Assignments

The RJ11-RJ45 adapter cable can be used to connect the AT-bus ClusterCard to an RJ11 modular wall jack in a TeleCluster network. The pin assignments are shown below (see Figure A-9).

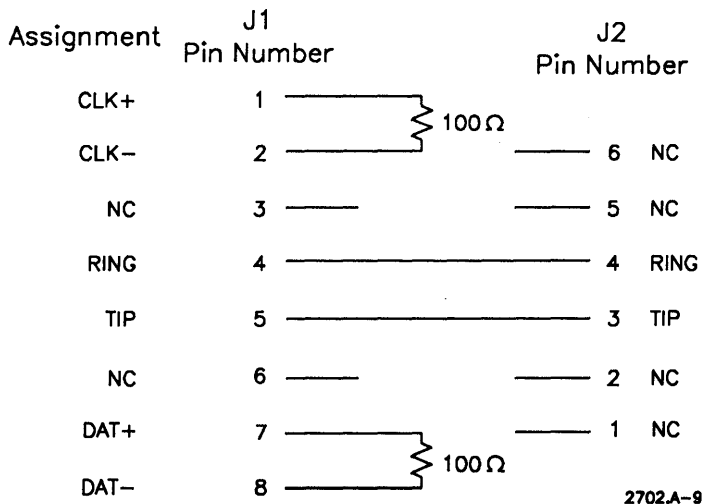
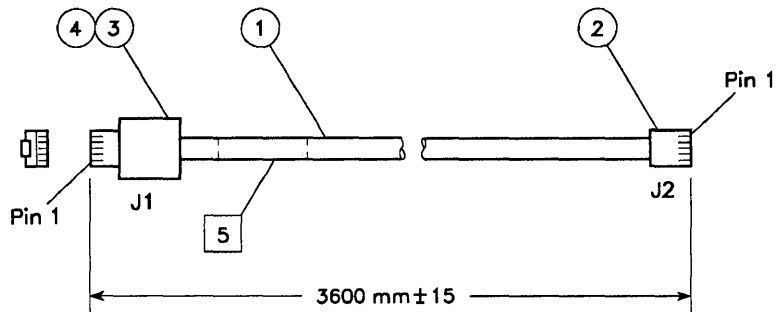


Figure A-9. RJ11-RJ45 Adapter Pin Assignments

## RJ11-RJ45 TeleCluster Adapter Cable Drawing

The RJ11-RJ45 adapter cable is shown below (see Figure A-10). Insulated tubing should be placed over resistor leads to prevent shorting. The cable drain wire and foil shield **must** be connected to the connector shield at J1.



2702.A-10

**Figure A-10. RJ11-RJ45 Adapter Drawing**

Item	Quantity	Description
1	As needed	26 AWG stranded, 4-wire flat cable with foil shield.
2	1	6-position modular connector (RJ11), unshielded
3	1	8 position shielded modular connector (RJ45). Part must mate with AMP part number 555153-3
4	2	100 ohm resistor, 1/8W, 2% carbon film with 26 AWG leads.

## Ethernet Cable

Complete specifications for 10Base5 and 10Base2 coaxial cable, MAUs, and AUI drop cables are provided in the following documents:

- *ANSI/IEEE Standard 802.3-1988*
- *International Standard ISO 8802-3: 1989*

## Token Ring Cable

The cable most commonly used for token ring networks is IBM Type 1, Type 2, Type 6, or Type 9 cable. Tables A-6 through A-10 list the specifications for these cables.

**Table A-6. Type 1 Cable Specifications**

Category	Specification
Impedance	150 Ohm +/- 15 Ohms from 1 MHz to 4 MHz
Attenuation	Max: 6.7 dB/1000 ft @ 4 MHz 13.7 dB/1000 ft @ 10 MHz
Near-end crosstalk	Min: 58 dB/1000 ft from 3 MHz to 5 MHz 40 dB/1000 ft from 12 MHz to 20 MHz
Wire	Four 22 AWG solid conductors (2 twisted pair)
Conductor resistance	Max: 17.4 Ohm/1000 ft @ 20C
Wire color code	Pair 1 is red/green; pair 2 is orange/black
Shield	Aluminized tape wrapped around each pair, tinned copper braid with 65% braid coverage

**Table A-7. Type 2 Cable Specifications (Data Pairs)**

Category	Specification
Impedance	150 Ohm +/- 15 Ohms from 1 Mb/s to 4 Mb/s
Attenuation	Max: 6.7 dB/1000 ft @ 4 MHz 13.7 dB/1000 ft @ 10 MHz
Near-end crosstalk	Min: 58 dB/1000 ft from 3 MHz to 5 MHz 40 dB/1000 ft from 12 MHz to 20 MHz
Wire	Four 22 AWG solid conductors (2 twisted pair)
Conductor resistance	Max: 17.4 Ohm/1000 ft @ 20C
Wire color code	Pair 1 is red/green; pair 2 is orange/black
Shield	Aluminized tape wrapped around each pair, tinned copper braid with 65% braid coverage



**Table A-8. Type 2 Cable Specifications (Voice Pairs)**

<b>Category</b>	<b>Specification</b>
Impedance	100 Ohm +/- 25 Ohms from 1 Mb/s to 4 Mb/s
Attenuation	Not specified
Near-end crosstalk	Min: 33 dB/1000 ft from 3 MHz to 5 MHz
Wire	Eight 22 AWG solid conductors (4 twisted pair)
Conductor resistance	Max: 17.4 Ohm/1000 ft @ 20C
Wire color code	Pair 1: blue, pair 2: orange, pair 3: green, pair 4: brown
Shield	braid covers data pairs; voice pairs are next to data pairs but outside of braid

**Table A-9. Type 6 Cable Specifications**

<b>Category</b>	<b>Specification</b>
Impedance	150 Ohm +/- 15 Ohms from 1 Mb/s to 4 Mb/s
Attenuation	Max: 10.0 dB/1000 ft @ 4 MHz 20.1 dB/1000 ft @ 10 MHz
Near-end crosstalk	Min: 52 dB/1000 ft from 3 MHz to 5 MHz 34 dB/1000 ft from 12 MHz to 20 MHz
Wire	Four 26 AWG stranded conductors (2 twisted pair)
Conductor resistance	Maximum 46.0 Ohm/1000 ft @ 20C
Wire color code	Pair 1 is red/green; pair 2 is orange/black
Shield	Aluminized tape wrapped around each pair, tinned copper braid with 65% braid coverage

**Table A-10. Type 9 Cable Specifications**

Category	Specification
Impedance	150 Ohm +/- 15 Ohms from 1 Mb/s to 4 Mb/s
Attenuation	Max: 10.0 dB/1000 ft @ 4 MHz 20.1 dB/1000 ft @ 16 MHz
Near end crosstalk	Min: 52 dB/1000 ft from 3 MHz to 5 MHz 34 dB/1000 ft from 12 MHz to 20 MHz
Wire	Four 26 AWG solid or stranded conductors (2 twisted pair)
Conductor resistance	Max: 46.0 Ohm/1000 ft @ 20C
Wire color code	Pair 1 is red/green; Pair 2 is orange/black
Shield	Aluminized tape wrapped around each pair, tinned copper braid with 65% braid coverage

## Parallel Cables

CTOS workstations and servers all provide at least one parallel port for use with parallel devices. The pin assignments and cable drawings for CTOS-compatible parallel cables are provided below.

## Parallel Printer Cable Pin Assignments

The pin assignments for a parallel printer cable are shown below (see Figure A-11).

Workstation Parallel Port	Printer Plug	Assignment
1	2	LPT0
2	3	LPT1
3	4	LPT2
4	5	LPT3
5	6	LPT4
6	7	LPT5
7	8	LPT6
8	9	LPT7
9 to 12, 15	14, 16, 19, 20 to 29	GND
14	1	LPTSTROBE-
16	10	LPTACK-
17	11	LPTBUSY
21	12	LPTNOPAPER
22	13	LPTSELECT
25	17	Chassis Ground (Shield)

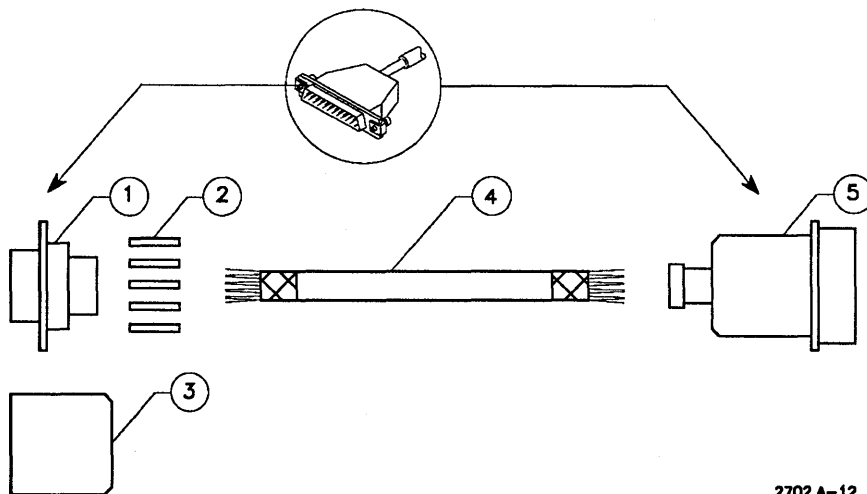
2702.A-11

**Figure A-11. Parallel Printer Cable Pin Assignments**

## Parallel Printer Cable Drawing

A parallel printer cable drawing is provided below (see Figure A-12). In constructing the cable, follow these guidelines:

1. Use a tin-plated connector (don't use metal chromate).
2. Connect the chassis ground to the shield drain wire at both ends of the cable.
3. Use a metal backshell.
4. Strip the vinyl insulation back at the 36-pin printer connector so that the metal strain relief clamps down on the conducting shield.
5. Connect all four unused conductors in the cable to a ground at both ends of the cable.



2702A-12

Figure A-12. Parallel Printer Cable Drawing

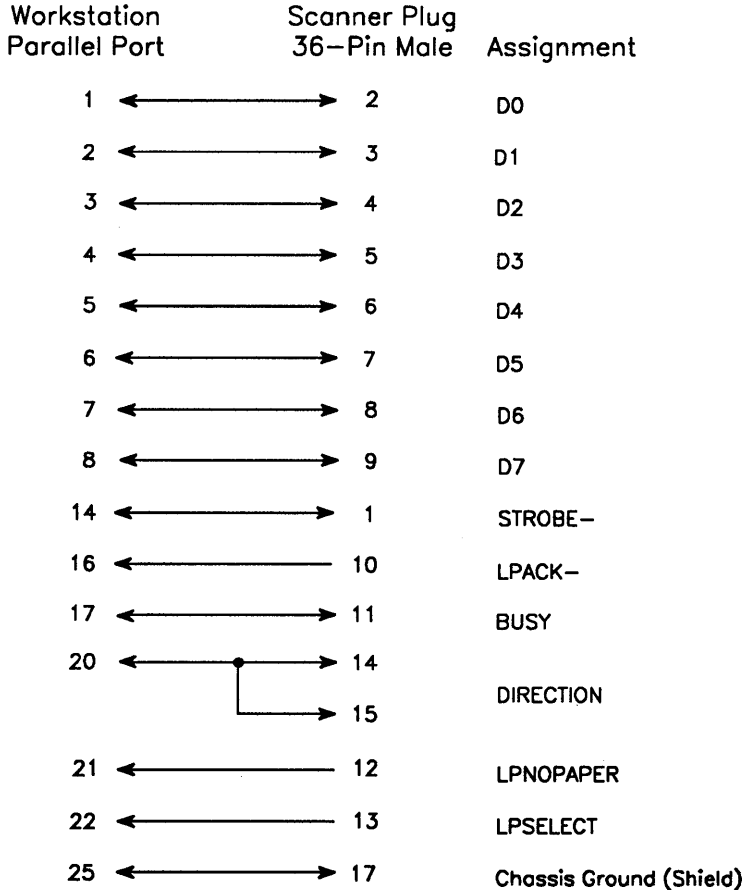
---

<b>Item</b>	<b>Quantity</b>	<b>Description</b>
1	1	25-pin D-type plug assembly (male). Use AMP part number 207464-2 or equivalent.
2	25	Connector contacts. Use AMP part number 66507-93 or equivalent.
3	1	Connector shell and strain relief. Use AMP part number 207908-7 or equivalent
4	As needed	25-conductor (or 30-conductor) shielded cable.
5	1	36-pin "Blue Ribbon" type connector assembly (male). Use AMP part number 57-30360 or equivalent.

---

### Parallel Scanner Cable Pin Functions

The pin functions for a parallel scanner cable are shown below (see Figure A-13).



2702.A-13

**Figure A-13. Parallel Scanner Cable Pin Assignments**

## Serial Cables

CTOS workstations and servers all provide at least one RS-232 serial port for use with serial devices. The pin assignments and cable drawings for CTOS-compatible serial cables are provided below.

### Modem Cable Pin Assignments (Straight Cable)

Pin assignments for a straight cable are listed below (see Figure A-14). A straight cable is used to connect a modem (DCE) to a workstation.

Workstation Serial Port		B DCE (Plug)	Assignment
1	←————→	1	Protective Ground (Shield)
2	————→	2	Transmit Data
3	←————	3	Receive Data
4	————→	4	Request to Send
5	←————	5	Clear to Send
6	←————	6	Data Set Ready
7	←——●——●——→	7	Signal Ground
8	←————	8	Carrier Detect
20	————→	20	Data Terminal Ready

2702.A-14

Figure A-14. Modem Cable Pin Assignments

### Modem Cable Drawing (Straight Cable)

A drawing for a straight cable is provided below (see Figure A-15). In constructing a straight cable, follow these guidelines:

1. Use a tin-plated connector (don't use yellow chromate).
2. Use a metal backshell.

3. Do not remove the ground wire.
4. Connect Pin 1 to the shield drain wire at both ends of the cable.
5. The additional conductor in the cable must be terminated at both ends to signal ground (Pin 7).

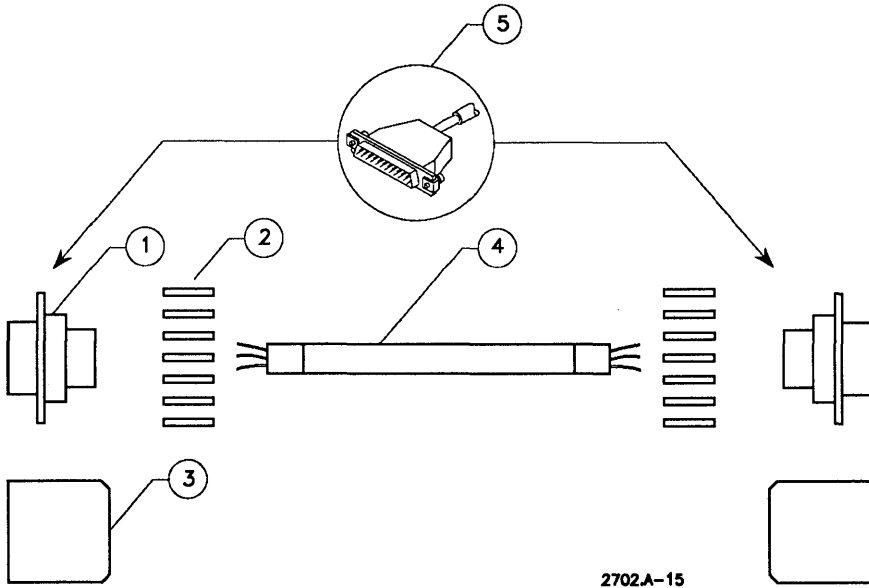


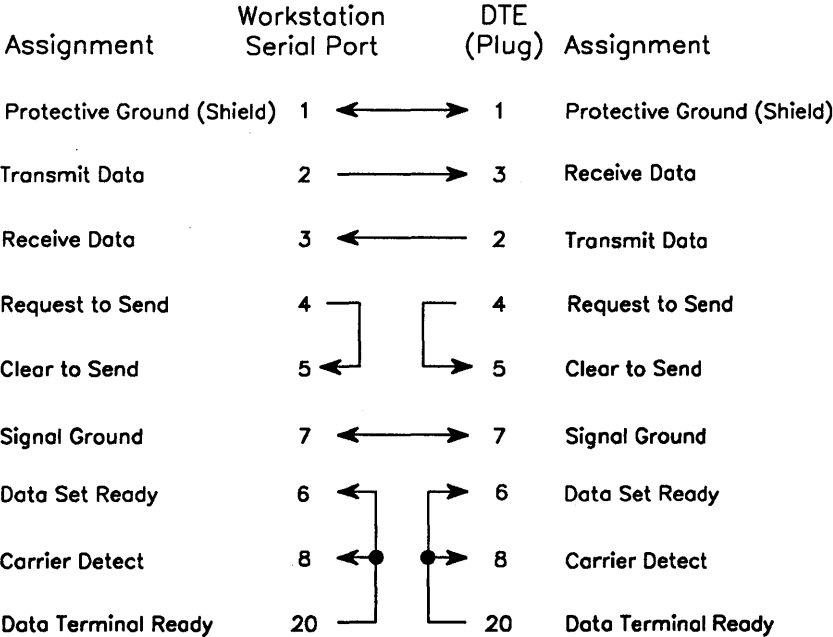
Figure A-15. Modem Cable Drawing

Item	Quantity	Description
1	2	25-pin D-type plug assembly (male). Use AMP part number 205208-2 or equivalent.
2	30	Connector contacts. Use AMP part number 66507-3 or equivalent.
3	2	Connector shell with strain relief. Use AMP part number 207908 or equivalent.
4	As needed	15-conductor shielded cable.



### Asynchronous Crossed Cable Pin Assignments

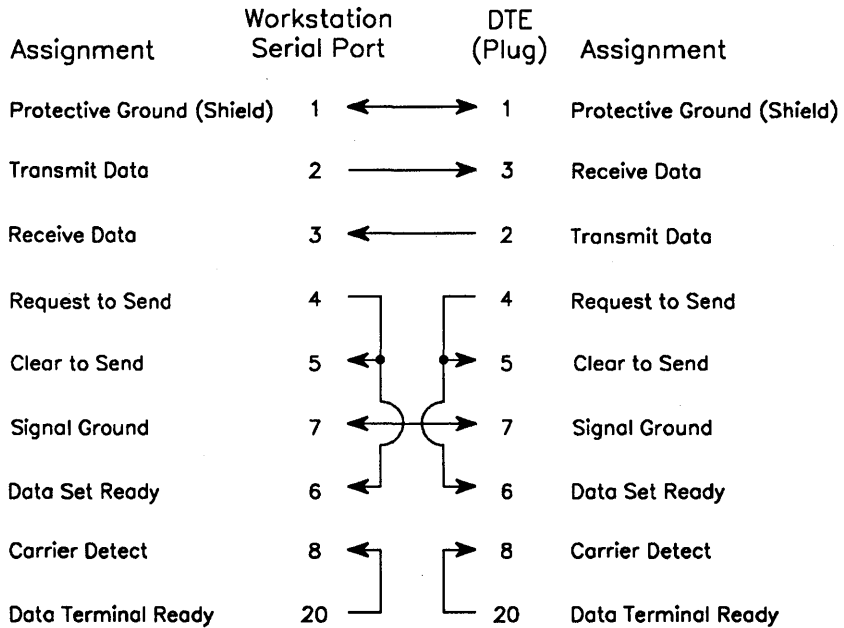
An asynchronous crossed cable is used to connect 2 workstations or a workstation and other data terminal equipment (DTE), such as a plotter or terminal. It is used for asynchronous communication only. The pin assignments are listed below (see Figure A-16). If the DTE uses XON/XOFF, see Figure A-17.



2702.A-16

**Figure A-16. Asynchronous Crossed Cable Pin Assignments**

# Cables



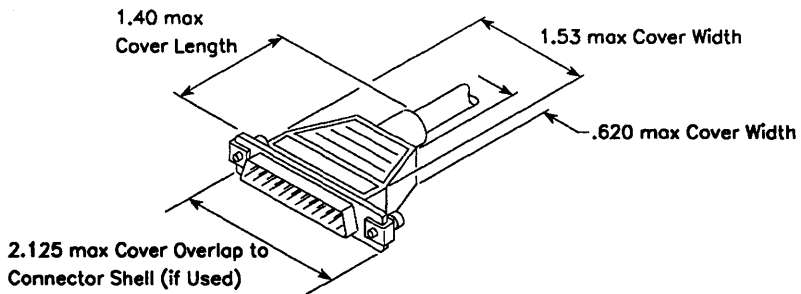
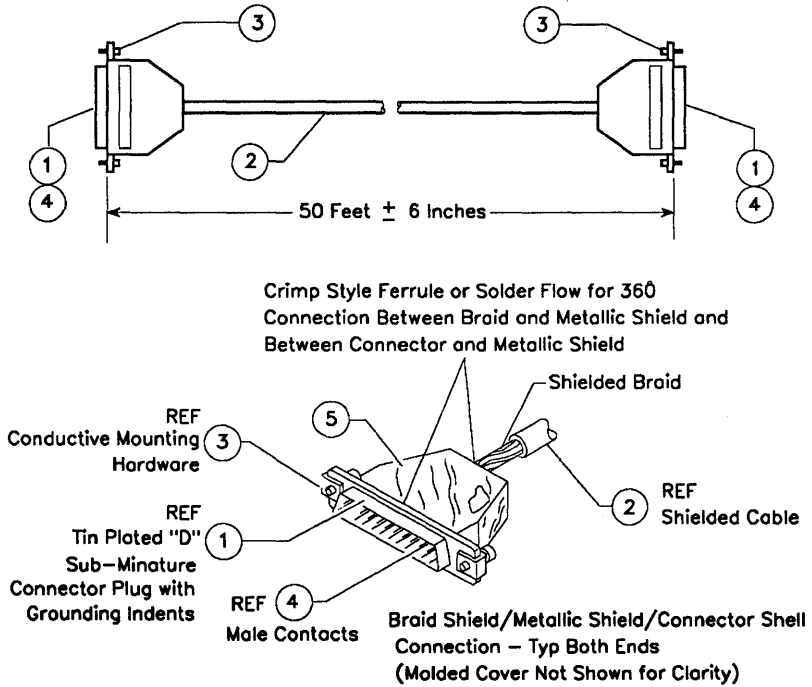
2702A-17

**Figure A-17. Asynchronous Crossed Cable for XON/XOFF**

## **Asynchronous Crossed Cable Drawing**

A drawing for an asynchronous crossed cable is provided below (see Figure A-18). In constructing an asynchronous crossed cable, follow these guidelines:

1. Use a tin-plated connector (don't use yellow chromate).
2. Use a metal backshell.
3. Do not remove the ground wire.
4. Connect Pin 1 to the shield drain wire at both ends of the cable.
5. Make sure the primary conductors are fully encompassed by the inner mold. (The inner mold must provide strain relief.)
6. Make sure the copper foil shield covers the inner mold.
7. Make sure the cable jacket is fully encompassed by the molded cover. (The molded cover must provide strain relief for the cable jacket.)



Molded Cover Construction – Typ Both Ends

2702A-18

**Figure A-18. Asynchronous Crossed Cable Drawing**

---

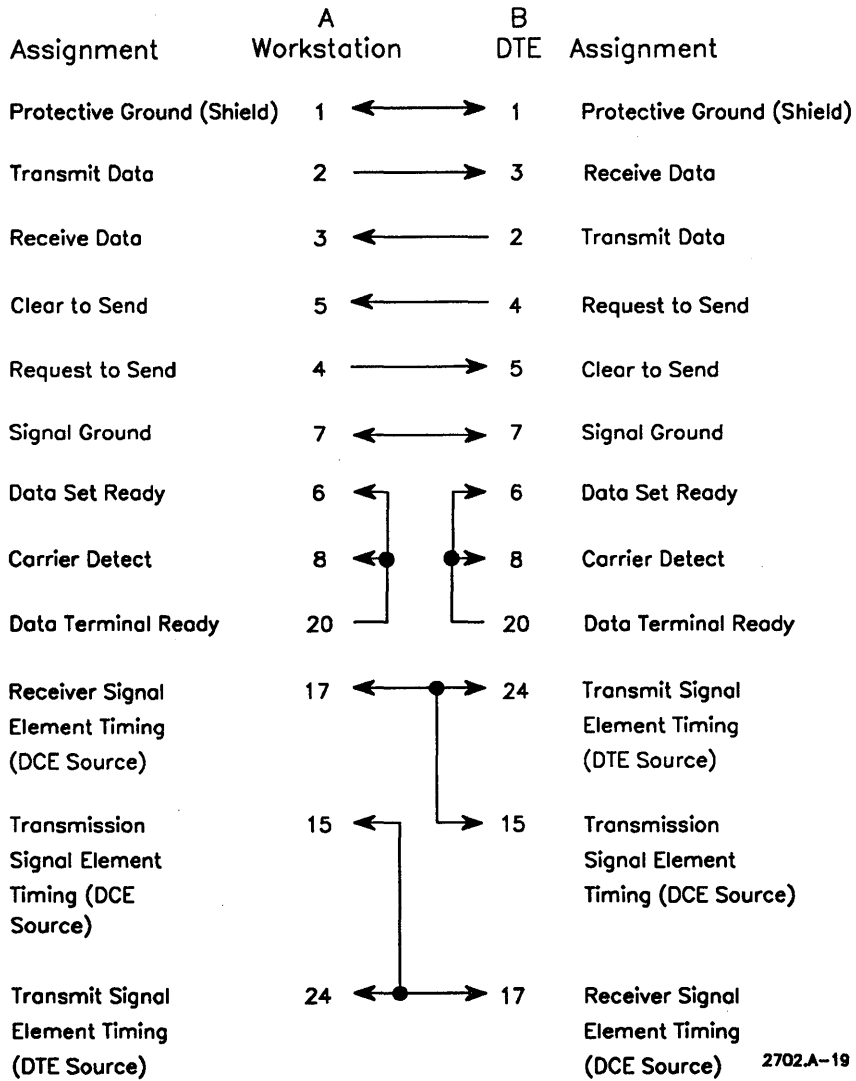
Item	Quantity	Description
1	1	25-pin D-type plug assembly (male). Use AMP part number 207464-2 or equivalent.
2	As needed (50 feet max)	3-conductor shielded cable.
3	4	Screw and retainer, male.
4	14	Connector contacts. Use AMP part number 66507-3 or equivalent.
5	As needed	Copper foil.

---

### Synchronous Crossed Cable Pin Assignments

A synchronous crossed cable is used to connect 2 workstations or a workstation and other data terminal equipment (DTE), such as a plotter or terminal. It has the clock lines required for synchronous communication. The pin assignments are listed below (see Figure A-19).

# Cables



2702.A-19

**Figure A-19. Synchronous Crossed Cable Pin Assignments**

## Synchronous Crossed Cable Drawing

A drawing for a synchronous crossed cable is provided below (see Figure A-20). In constructing a synchronous crossed cable, follow these guidelines:

1. Use a tin-plated connector (don't use yellow chromate).
2. Use a metal backshell.
3. Do not remove the ground wire.
4. Connect Pin 1 to the shield drain wire at both ends of the cable.

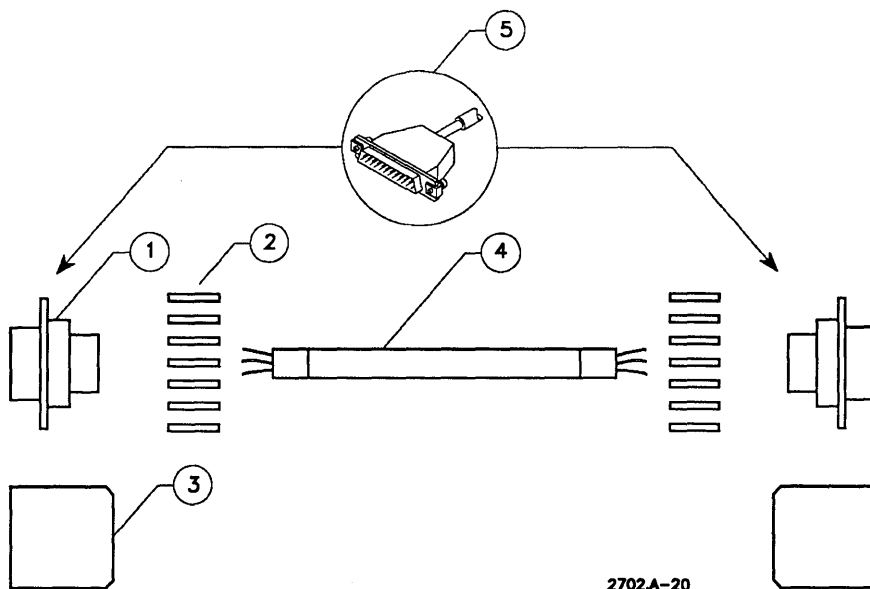


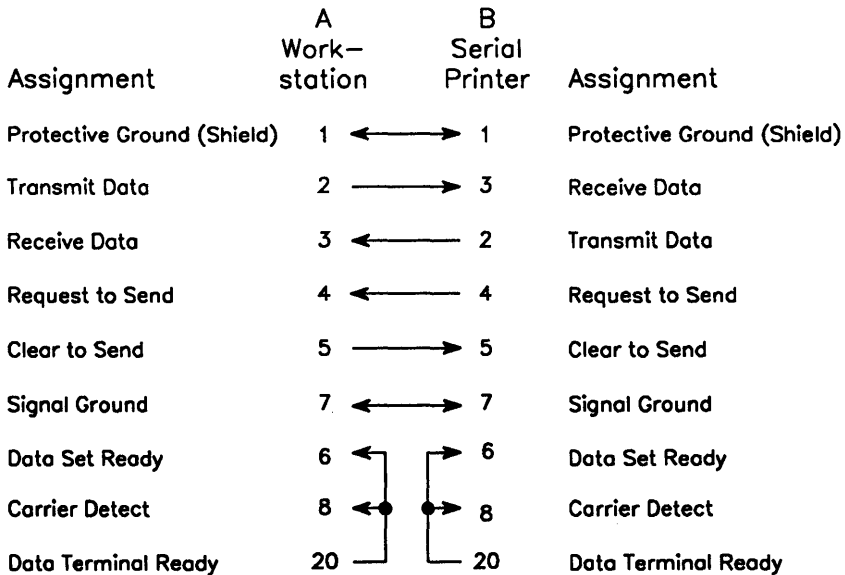
Figure A-20. Synchronous Crossed Cable Drawing

## Cables

Item	Quantity	Description
1	2	25-pin D-type plug assembly (male). Use AMP part number 207464-2 or equivalent.
2	24	Connector contacts. Use AMP part number 66507-6 or equivalent.
3	2	Connector strain reliefs. Use AMP part number 207908-7 or equivalent.
4	As needed (50 feet max)	7-conductor shielded cable.
5	As needed	Copper foil.

## Serial Printer or Scanner Cable Pin Assignments

The pin assignments for a serial printer or scanner are listed below (see Figure A-21).



2702.A-21

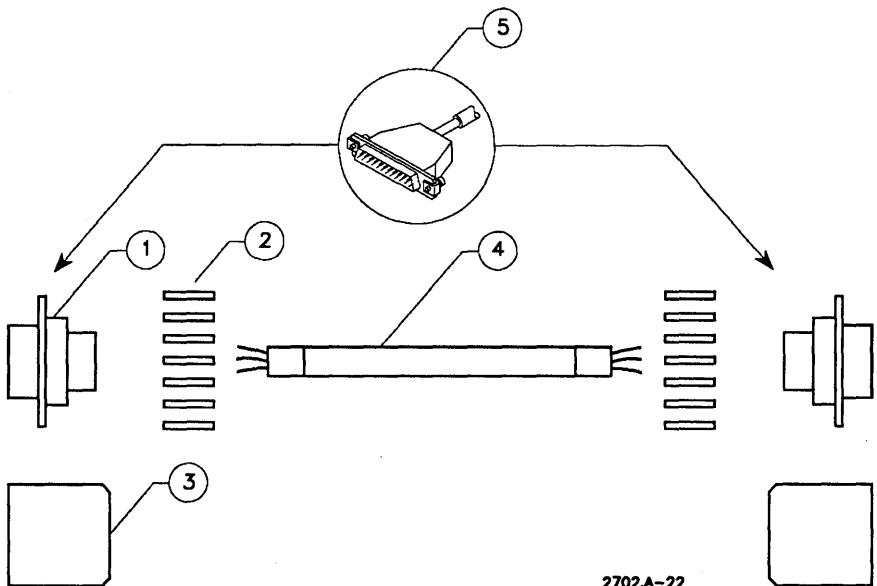
**Figure A-21. Serial Printer/Scanner Cable Pin Assignments**



## Serial Printer or Scanner Cable Drawing

A drawing for a serial printer or scanner cable is provided below (see Figure A-22). In constructing the cable, follow these guidelines:

1. Use a tin-plated connector (don't use yellow chromate).
2. Use a metal backshell.
3. Do not remove the ground wire.
4. Connect Pin 1 to the shield drain wire at both ends of the cable.



2702.A-22

Figure A-22. Serial Printer/Scanner Cable Drawing

## Cables

---

Item	Quantity	Description
1	2	25-pin D-type plug assembly (male). Use AMP part number 207464-2 or equivalent.
2	18	Connector contacts. Use AMP part number 66507-3 or equivalent.
3	2	Connector strain reliefs. Use AMP part number 207908-7 or equivalent.
4	As needed	3-conductor shielded cable.
5	As needed	Copper foil.

# Appendix B

## Workstations and Servers

The following table describes each CTOS workstation and server, along with its type of cluster communication port (RS422 or RS485) and maximum cluster speed. It also lists the workstations that provide +5V for Advanced TeleCluster adapters.

**Table B1. Workstation Cluster Speeds, Ports +5V Support**

Unisys Product Name	Convergent Product Name	Rev Levels Affected	Cluster Port	Max Cluster Speed (Mbps)	+5V Support (TeleCluster)
XE520	SRP	All	RS422	1.8	No
XE530	XE530	All	RS485	3.7	No
B39	386i	All	RS485	3.7	Yes
B38CPU	CP-003	AA-AJ	RS422	1.8	No
B38CPU	CP-003	AJ-Later	RS485	1.8	No
B38MCP	CP-003/287	AA-AJ	RS422	1.8	No
B38MCP	CP-003/287	AJ-Later	RS485	1.8	No
B38EV	CP-0A3	AA-AK	RS485	3.7	No
B38EV	CP-0A3	AK-Later	RS485	3.7	Yes
B38MEV	CP-0A3/287	AA-AK	RS485	3.7	No
B38MEV	CP-0A3/287	AK-Later	RS485	3.7	Yes
B38EXP	B38EXP	All	RS485	3.7	Yes
B38GXP	B38GXP	All	RS485	3.7	Yes
B28CPU	CP-002	AA-AJ	RS422	1.8	No

continued

## Workstations and Servers

---

**Table B1. Workstation Cluster Speeds, Ports +5V Support (cont.)**

<b>Unisys Product Name</b>	<b>Convergent Product Name</b>	<b>Rev Levels Affected</b>	<b>Cluster Port</b>	<b>Max Cluster Speed (Mbps)</b>	<b>+5V Support (TeleCluster)</b>
B28CPU	CP-002	AJ-Later	RS485	1.8	No
B28MCP	CP-002/287	AA-AJ	RS422	1.8	No
B28MCP	CP-002/287	AJ-Later	RS485	1.8	No
B28EV	CP-0A2	AA-AK	RS485	3.7	No
B28EV	CP-0A2	AK-Later	RS485	3.7	Yes
B28MEV	CP-0A2/287	AA-AK	RS485	3.7	No
B28MEV	CP-0A2/287	AK-Later	RS485	3.7	Yes
B28EXP	CP-0E2	All	RS485	3.7	Yes
B28EX1	None	All	RS485	3.7	Yes
B28LCW	CM-004	All	RS485	3.7	Yes
B28LC1	None	All	RS485	3.7	Yes
B27	CM-002	All	RS422	1.8	No
B26	CP-001	All	RS422	1.8	No
B22	AWS	All	RS422	307 Kbps	No
B21	IWS	All	RS422	307 Kbps	No

# Appendix C

## Network Software

This appendix provides information about some of the CTOS software required for connecting clusters to other clusters and to host mainframe computers. However, this appendix does not describe all possible networking solutions.

*Note:* For more detailed information about software, refer to the documentation listed in "About This Guide" at the front of this guide.

Several CTOS software products allow a cluster to communicate with other clusters and with non-CTOS computer systems and networks. These software products fall into two general groups:

- Cluster-to-cluster communication
- Cluster-to-host mainframe communication

Software products that allow clusters to communicate with Unix systems and TCP/IP networks are also available.

## Cluster-to-Cluster Communication

In a CTOS cluster, workstations in a cluster can access the files and resources of the cluster server. In addition, workstations in one cluster can access the files and resources of other cluster servers, provided that the clusters are physically connected, and that the appropriate network software has been installed.

Clusters can be physically connected by RS-232 lines (modem or direct cable), by Ethernet or by token ring LANs. Clusters can also be connected through an SNA network, through a DCA network, through an X.25 network, or through a combination of these connection methods.

The network software required to support a network of clusters varies somewhat, depending on the way one cluster is connected to another. However, BNet is always required.

For example, two clusters connected together by a modem via RS-232 ports may require only BNet software; whereas two clusters connected by an Ethernet LAN may require additional networking software. Figure C-1 and the following paragraphs describe the required software.

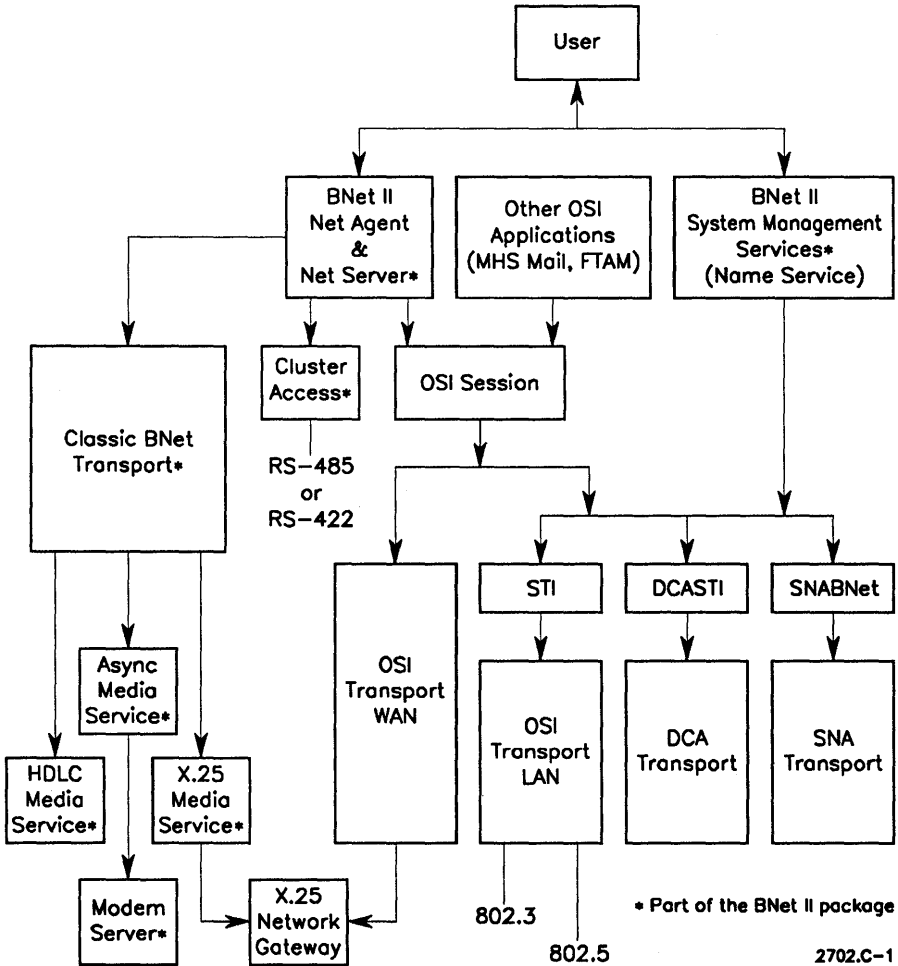


Figure C-1. CTOS Network Software

## Using RS-232 Lines

Clusters connected through the RS-232 interface (via modem or via interface require only the BNet II software package.

## Using an X.25 Network

Clusters connected through an X.25 network require X.25 Gateway software in addition to BNet II software.

*Note: IDMSS software is also required for any cluster server or workstation that uses the B25-ID2 module.*

## Using Ethernet or Token Ring LANs

In addition to BNet II software, clusters connected by Ethernet or token ring LANs require the following software:

- OSI Session
- OSI Session/Transport Interface (STI)
- OSI Transport LAN
- IDMSS (for the LAN module)

## Using SNA Networks

In addition to BNet II software, clusters connected through an SNA network require the following software:

- OSI Session
- SNA BNet
- SNA Transport

### Using DCA Networks

In addition to BNet II software, clusters connected through a DCA network require the following software:

- OSI Session
- DCA Session/Transport Interface (DCASTI)
- DCA Transport

### Cluster-to-Host Communication

Several software products enable or facilitate cluster to host mainframe communication. Some of these products support communication with Unisys mainframes, some products support communication with IBM mainframes.

### Cluster-to-Unisys Mainframe Communications

CTOS clusters can communicate with Unisys A-series or V-series mainframes in a variety of ways. One common way to do this is to use BMulti poll/select software to handle the communication protocols, and then run a variety of applications over BMulti.

#### BMulti

With BMulti software installed in a cluster server, the entire cluster can access Unisys A-series or V-series mainframes over RS-232 lines (modem or direct cable) or over TDI lines. In addition, new versions of BMulti include a BMulti/X.25 service that allows a server to access mainframes over X.25 networks.

**Note:** *To connect to an X.25 network, the server must have an X.21 port. This port is supplied by the B25-ID2 X-Bus module; it is also supplied by XE-520 CP or TP boards and by XE-530 GP/SI and GP/CI boards.*



After BMulti has been installed in the cluster server, application software must be installed in the server before files and resources can be used by the cluster. Some of these applications are

- Printer Pass-Through (provides access to printer resources)
- BTOS Terminal Emulator (provides access to host applications)
- File Transfer Service (FTS)
- Data Transfer System (DTS)

## Cluster-to-IBM Mainframe Communications

CTOS clusters can communicate with IBM SNA networks when SNA Transport software is installed in the server to supply data link layer protocols. Application software must also be installed to provides file and resource access.

### SNA Transport

With SNA Transport software installed in a cluster server, the entire cluster can access token ring LANs, X.25 networks, and hierarchical or peer-to-peer SNA networks.

**Note:** *To connect to an X.25 network, the server must have an X.21 port. This port is supplied by the B25-ID2 X-Bus module; it is also supplied by XE-520 CP or TP boards and by XE-530 GP/SI and GP/CI boards.*

After SNA Transport has been installed in the cluster server, application software must be installed in the server before files and resources can be used by the cluster. Some of these applications are

- Enhanced SNA 3270 Emulator (allows workstations to communicate with IBM SNA host)
- ClusterShare SNA 3270 Emulator (allows PCs in a cluster--with ClusterCard installed--to communicate with IBM SNA host)
- SNA Remote Job Entry (RJE)
- SNA Logical Unit Interface Service (LUIS)

## Cluster-to-UNIX/DEC Communication

CTOS workstations can connect to and interact with application programs running on DEC VAX computers, Unisys U6000 systems, and Sun Microsystems workstations.

To do this, CTOS Virtual Terminal Emulator (VTE) software must be installed in the CTOS workstation. VTE software is designed to run over RS-232 lines, X.25 lines, or TCP/IP connections.

*Note: If X.25 links are used, CTOS X.25 Gateway software is also required. If TCP/IP connections are used, the CTOS TCP/IP Gateway software is required.*

## Cluster-to-TCP/IP Network Communication

CTOS workstations can participate in commercial TCP/IP networks or in a PDN or DDN X.25 network by using CTOS TCP/IP software. Connection to those networks is accomplished by using Ethernet links or X.25 links.

## Network Enhancement Software

The CTOS Multiple Gateway Server (MGS) greatly increases the efficiency of certain types of networks. Multiple Gateway Server software allows multiple copies of a communication service to be installed on a server. In an SNA environment, for example, this would allow access to several SNA hosts, or would allow one SNA host to be accessed over several different communications lines.

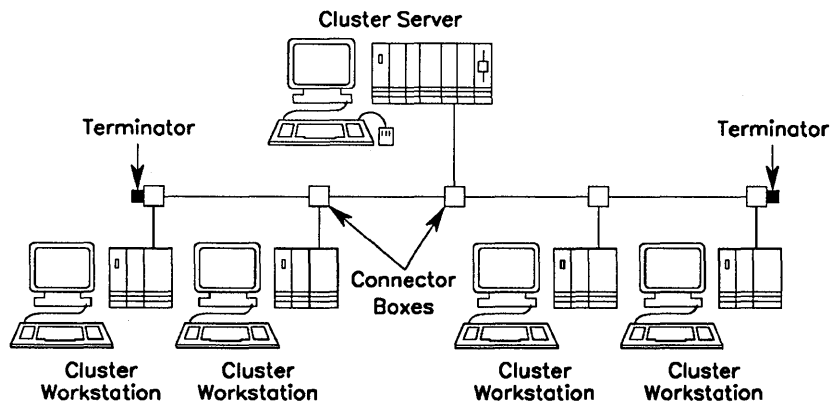
Along with SNA applications, MGS software can be used with other communication services, such as SNA Transport, BMulti, and X.25 Gateway.

# Appendix D

## Spur Clusters

Spur clusters are similar to the daisy-chain clusters described in Section 3, “Installing a Daisy-Chain Cluster.” The hardware and software requirements are the same, and the cable length rules are the same. However, in a spur cluster, the cluster cable is not daisy-chained.

Instead, spur clusters use a backbone cluster cable with spur connector boxes attached to the backbone cable. A spur cable connects workstations to the connector boxes (see Figure D-1).



2702.D-1

Figure D-1. A Spur Cluster

A spur cluster allows a workstation to be removed from or added to the cluster without disrupting normal cluster activity.

**Note:** A TeleCluster network provides the same flexibility as a spur cluster, at a lower cabling cost (since TeleCluster uses existing telephone cabling). Moreover, TeleCluster supports faster cluster speeds. Consequently, you may want to use TeleCluster rather than a spur cluster.

### Cable Lengths

Spur clusters follow the same cable length requirements as daisy-chain clusters. However, each spur connector box reduces the maximum lengths by an additional 1%.

In addition, the spur cable must be at least 3 feet long, but no greater than 10 feet long, and there must be at least 10 feet between spur connector boxes.

There must be at least 25 feet of cable between workstations (total cable length, backbone cable and spur cable).

*Note: One terminator is required at each end of the backbone cable.*

### Cable Types

Spur clusters use the same cable types as daisy-chain clusters. (See Section 3, "Installing a Daisy-Chain Cluster.")

### Cluster Speeds

Spur clusters support a maximum cluster speed of 1.8 Mbps. You cannot run a spur cluster at 3.7 Mbps.

### Installing Spur Cable

The spur cable is connected at one end to the spur connector box. The other end of the spur cable is attached to one of the workstation's RS-422 or RS-485 ports. (Either port can be used.) The remaining RS-422 or RS-485 port does not require a terminator.

### Spur Connector Boxes

To obtain spur boxes, contact your Unisys representative for a list of sources.

Spur boxes must be manufactured according to the following specifications:

1. Corresponding wires from each of the three cables must be joined together at one point, such as at a terminating block.
2. The box must be a complete shield (all metal). If metal boxes are not available, use only good quality metal-coated plastic boxes. Using conductive coating instead of metal coating is not allowed, because this can cause intermittent network failures.

If metal-coated plastic boxes are used, the single-point ground connection to the conductive box must include a nut, bolt, and washer.

3. A means must be provided to connect cable shields to the inside of the spur box.
4. The connection from the cable shield to the spur box must be as short as possible, and must not exceed 0.5 inches.
5. Unshielded wire length inside the spur box must be kept to a minimum, and must not exceed 1.5 inches.
6. Cables connected to the spur box must have strain relief.
7. Pin 1 of the spur box connectors must be attached to the connector housing, the frame ground in the spur box, and the cable shield. You must use 20 AWG or larger wire for these connections.
8. Spur boxes must conform to local codes.



# Appendix E

## Two-Wire Direct Interface (TDI)

Two-Wire Direct Interface (TDI) is a connection method used primarily for terminal-to-host communication. CTOS workstations can be used as terminals, provided that they use the proper protocol software and terminal emulation software. (The host is typically a Unisys A series or V series mainframe, but other hosts can be used).

### Protocols

TDI operates in half-duplex mode and requires an asynchronous link level protocol. Any asynchronous protocol can be used if the TDI network is point-to-point; multipoint networks (more than one terminal) require the Unisys Poll/Select protocol.

**Note:** Unisys terminals commonly use a 7-bit ASCII character with an even parity bit.

### Hardware Requirements

Typical installations include a host and terminals connected by TDI cabling. CTOS workstations require an RS-232 to TDI converter or an X-Bus module that supports TDI.

### Hosts

Some of the Unisys host systems that support TDI are listed below:

- A series mainframes
- V series mainframes
- B x800 and B x900 mainframes
- B 1700, B1800, B1900 (with front end communications processor)

## **Two-Wire Direct Interface (TDI)**

---

- CP 2000, (with front end communications processor)
- CP 9500 (with terminal multiplexer)
- CTOS workstations

### **Terminals**

Some of the Unisys terminals that support TDI are listed below:

- CTOS workstations
- T27
- Unisys PCs (or other PC compatibles)
- ET 1100
- MT 983, MT 985
- TD 830 family

### **TDI Cable**

TDI uses two-wire shielded cable. One wire is used for reference ground, and the other is used for transmitting and receiving data. The cable connector is a 25-pin D connector, frequently female.

### **TDI Module**

CTOS workstations require the B25-ID2 module, which supports TDI, or the B25-DCA module, which is an RS-232-to-TDI converter.

### **RS-232-to-TDI Converter**

CTOS workstations require a B25-DCA RS-232-to-TDI converter or a TDI module.



## Software Requirements

CTOS workstations require terminal emulation software and BMulti software. See Appendix C, "Network Software," for more information.

PC compatibles require terminal emulation software.

## Cable Length Limits

A TDI network can have a maximum of 1000 feet of cable when using a 9600 bps transmission rate. Using faster transmission speeds will further reduce this maximum allowed length (see Table E-1).

Table E-1. TDI Maximum Cable Length

Transmission Speed	Maximum Cable Length
9600 bps	1000 ft
19200 bps	500 ft
38400 bps	250 ft

## Maximum Number of Terminals

A TDI network can have a maximum of 9 terminals and 1 host. Reducing the number of terminals does not increase the maximum allowed cable lengths.

## Network Configuration

A TDI network uses a bus configuration. In a bus configuration, junction boxes are installed on the backbone cable, with a short drop cable connecting each terminal to a junction box (see Figure E-1).

## Two-Wire Direct Interface (TDI)

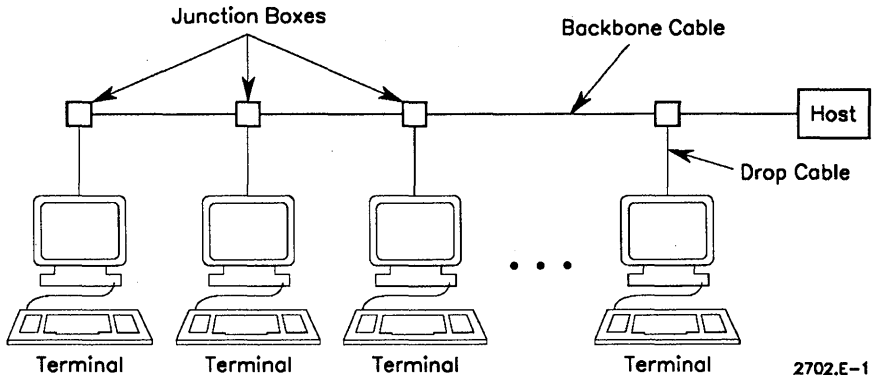


Figure E-1. A TDI Network

There are three guidelines for installing a TDI bus network:

1. Metal junction boxes should be used at each drop location. Cable shields should be attached to the junction box.
2. Connectors on the drop cables must match the connectors on the junction box and on the terminal. The drop cable as well as the backbone cable must be a TDI shielded twisted pair cable. The connector pinouts are shown below (see Figure E-2).
3. For the sake of consistency, use the cable's black wire as TDI Ground (this wire should be connected to pin 7 of the 25-pin D connector). Use the remaining wire as TDI Data (this wire is connected to pin 2).

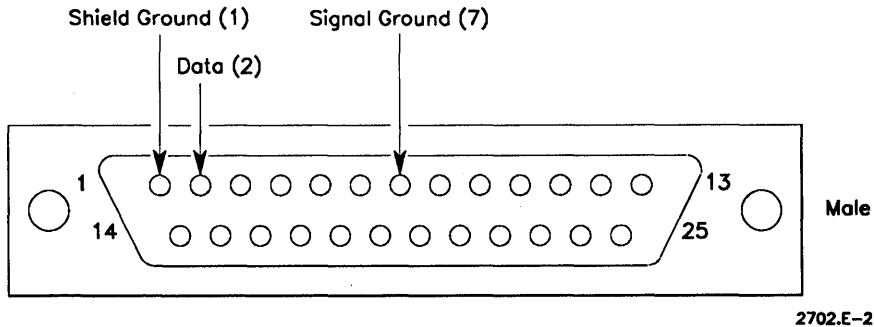


Figure E-2. TDI Connector and Signals

## Installation Guidelines (Grounding)

Several guidelines should be followed to ensure a successful installation. These guidelines are primarily concerned with the proper grounding of the TDI cable (signal ground and shield ground) and the host and terminals (logic ground and safety ground).

The guidelines for proper grounding are as follows:

1. The host and terminals should be powered from the same distribution panel and use the same safety ground.
2. The TDI cable signal ground and shield ground must be kept separate; these two grounds must not be tied together at any point along the cable.
3. All cable segment shields must be tied together.
4. The TDI cable shield ground should be tied to safety ground at only one point in the network to minimize ground loop noise. Normally the shield ground is tied to safety ground at the host, not at the terminal. (This is achieved by leaving pin 1--safety ground--of the terminal TDI connector open.)
5. The logic ground of the host must be internally connected to the frame safety ground. This keeps the TDI cable shield ground and signal ground at nearly the same potential.
6. The TDI cable signal ground (pin 7) must connect to the logic ground at each terminal and at the host.



# Appendix F

## Voice/Data TeleCluster

The original TeleCluster product was designed to use the same telephone wire pair as the telephone voice signals. Voice circuitry in the TeleCluster hub and in the TeleCluster adapters provided the necessary filtering. However, the newer Advanced TeleCluster product is not designed to use the same wire pair as the voice signals, but instead uses a separate wire pair. (Consequently, Advanced TeleCluster hubs or adapters have no voice circuits.)

### Using Voice/Data with Advanced TeleCluster

In general, voice/data TeleCluster products can be used in an Advanced TeleCluster network, a network that uses a separate wire pair for data. However, because Advanced TeleCluster does not provide the required voice circuits, Advanced TeleCluster products cannot be used in a voice/data TeleCluster network.

**Note:** See the “TeleCluster Manual” for instructions on using voice/data TeleCluster products.

### Using Voice/Data Hubs in Advanced TeleCluster Networks

Voice/data hubs can be used in an Advanced TeleCluster network and they can support the 3.7 Mbps cluster speed—provided that only B25-TA3 TeleCluster adapters are used in the network. (The use of any other adapters require the slower 1.8 Mbps cluster speed.)

**Note:** The 24-channel voice/data hub will work at 3.7 Mbps. However, it has not been qualified for this speed by regulatory agencies.

### **Using Voice/Data Adapters in Advanced TeleCluster Networks**

Voice/data TeleCluster adapters (B25-TA1/TA2) can be used in an Advanced TeleCluster network, in any combination with Advanced TeleCluster adapters (B25-TA3/TA4). However, if any B25-TA1, B25-TA2, or B25-TA4 adapters are used in an Advanced TeleCluster network, the maximum cluster speed is 1.8 Mbps.

### **Daisy-Chaining Voice/Data Hubs**

You can daisy chain two voice/data TeleCluster hubs; you can also daisy chain a voice/data hub to an Advanced TeleCluster hub. The procedures for doing this, and the maximum length of the daisy-chain cable are described in Section 5, "Installing TeleCluster."

# Glossary

## A

### **AUI cable**

Attachment Unit Interface cable is the drop cable that connects a workstation to an MAU (Media Access Unit) in an Ethernet network. The maximum length of an AUI cable is 50 meters.

### **asynchronous**

Asynchronous refers to a transmission method in which each data character is marked with start and stop bits so that a receiving station can correctly interpret the incoming data. *See also* "Synchronous."

### **attenuation**

Attenuation refers to the decrease in the power, current, or voltage of an electrical signal as the signal travels in a transmission medium between two points. Attenuation is normally expressed in decibels (dBs).

## B

### **BMulti**

BMulti is the software for the Unisys version of the poll-select protocol. BMulti generally runs over RS-232 or TDI lines.

### **BNet**

BNet is a Unisys network software product that allows the CTOS operating system to be used over a network of CTOS clusters. Using BNet, workstations in one cluster can access the resources and files of other clusters. BNet is media independent, and can be used over a wide variety of network links.

### **bridge**

A bridge is a communication link that joins networks of a similar type. For example, separate rings in a token ring network can be linked by one or more bridges. The bridge can be a file server, workstation, or a dedicated bridge. Bridges normally require bridging software.

### **bridge clips**

A bridge clip is a metal clip that connects lines in a punchdown block. It acts as a wire jumper to connect prongs on a punchdown block.

Normally, bridge clips should not be used for permanent connections.

### **bridge taps**

A bridge tap is a second cable pair connected in parallel with the main twisted pair cable. The tap connection can occur at any location along the main cable. This is not allowed for TeleCluster or Advanced TeleCluster.

## **C**

### **CCITT**

The Consultative Committee for International Telegraphy and Telephony. An international group that recommends standards.

### **cluster**

A cluster is a network made up of CTOS workstations and a CTOS server connected via their RS-422 or RS-485 ports.

### **cluster cable**

Cluster cable is a shielded twisted pair (two pair) cable used to connect workstation RS-422 or RS-485 ports in a cluster. There are two types of cluster cable: 100 Ohm and 140 Ohm. The 140 Ohm cable supports greater distances than 100 Ohm cable. However, 100 Ohm cable must be used when daisy-chaining to a TeleCluster adapter.

### **ClusterCard**

ClusterCard is an adapter card for PC compatibles that allows PC compatibles to be connected to a cluster. Two versions are available: XT-bus versions and AT-bus versions.

### **ClusterShare**

ClusterShare is the software required for the proper operation of ClusterCard adapters. The software is installed in the cluster server and in the PC with the ClusterCard.

### **cluster speed**

Cluster speed, also called "cluster line speed," refers to the rate at which data passes through the cluster. Three speeds are supported: 307 Kbps, 1.8 Mbps, and 3.7 Mbps.



**cross-connect**

A cross-connect is a connection between two wires that is made by connecting both wires to positions on a punchdown block.

**CSMA/CD**

Acronym for Carrier Sense Multiple Access with Collision Detect. This refers to the access method used in Ethernet networks to resolve contentions between workstations wishing to use the network.

**D**

**daisy chain**

A method of passing signals along a bus. Signals are sent up and down the bus, passing through each workstation on the bus. (In a daisy-chain cluster, the bus is the cluster cable that connects the workstations and server.)

**DCA**

Acronym for Distributed Communications Architecture. This is a layered architecture consistent with the OSI (Open Systems Interconnection) 7-layer model.

**DCE**

Acronym for Data Circuit-terminating Equipment. This term refers to devices placed at the ends of communication lines. A modem is a common type of DCE.

**distribution rack**

Distribution racks are used in wiring closets to hold various types of equipment. Also called "equipment racks."

**DTE**

Acronym for Data Terminal Equipment. This device is usually a workstation or server that is connected to a DCE.

**E**

**EIA**

Electronic Industries Association. A standards group in the United States.

### **Ethernet**

A local area network, standardized by IEEE 802.3, that uses the CSMA/CD access method. This type of network supports data rates up to 10 Mbps.

### **Ethernet module**

An X-Bus module that allows CTOS/BTOS workstations to become part of an Ethernet network.

## **F**

### **full duplex**

Refers to a data transmission mode that supports simultaneous transmission in both directions.

## **G**

### **gateway**

A gateway is a communication link between different networks that can convert from one protocol to another protocol, thus enabling information to be passed between the networks.

### **ground**

Refers to the method used in AC power lines to neutralize (make less positive) one side of the power line by connecting it to a metal rod driven into the ground. Also called AC safety ground.

## **H**

### **half duplex**

Refers to a data transmission mode that supports transmission in both directions, but not simultaneously.

### **hub**

In an Advanced TeleCluster network, the intelligent device that routes and controls data transmissions between the server and workstations in the cluster.

### **host**

The primary or controlling computer in a multicomputer system. Frequently, the host is a mainframe and the other systems connected to the host function as terminals.

**I****IEEE**

Acronym for Institute of Electrical and Electronics Engineers, a professional organization and a standards group.

**impedance**

The combined effect of resistance, capacitance, and inductance on a signal at a particular frequency. It is normally expressed in ohms.

**intelligent data module**

An X-Bus data communication module that has a microprocessor to control data communication functions.

**L****LAN**

Acronym for local area network. Although this normally refers to Ethernet or token ring networks, it can refer to any network located within a 2.5 kilometer area.

**link segment**

A point-to-point cable segment that joins multidrop cable segments in an Ethernet network. Other than the repeaters used at the ends of the link segment for segment interconnection, no equipment can be attached to a link segment.

**lobe cable**

In the Unisys implementation of token ring, lobe cable is the cable that connects a workstation to a wire center.

**M****MAN**

Acronym for Metropolitan Area Network. Refers to broadband networks that extend city-wide. This type of network spans greater distances than a LAN, but is still restricted to a particular region, unlike the more global WANs.

**MAU**

Acronym for Media Access Unit. The MAU taps into the main Ethernet cable, and an AUI drop cable connects the MAU to a workstation or other device.

### **modem**

**MODulator/DEModulator.** A modem converts digital signals from a transmitting workstation to analog signals that can be carried over public telephone lines. At the destination end, a modem converts the analog signals back to digital for the receiving workstation.

## **N**

### **node**

A point where a device is connected to a communication line in a network.

## **O**

### **operating system**

A program that controls the operation of all the other programs in a computer.

### **OSI**

Acronym for Open Systems Interconnection. This 7-layer model helps define network protocol standards to simplify communication between diverse types of computers. From lowest to highest level, the layers are: physical, data link, network, transport, session, presentation, and application.

## **P**

### **PBX**

Acronym for Private Branch Exchange. This refers to a telephone exchange located on a customer's premises. The exchange establishes circuits between local users and the public telephone network.

### **poll-select**

A generic term for a protocol in which the host communicates with devices that have unique addresses, or unique group addresses. The host polls the devices and selects a particular address.

### **potential difference**

Voltage.

**protocol**

A set of specifications that control data format, timing, sequencing, access, and error correction so that a sender and a receiver can communicate. A sending system and a receiving system must use the same protocol.

**punchdown block**

A wire connection assembly that enables wires to be connected without splicing. Positions on the block are connected (punched down) to establish the connection.

**R**

**repeater**

Repeaters receive a signal and retransmit it, amplifying it and retiming it so the signal can travel over a greater distance.

**RS**

Short for Recommended Standard; a standard published by the EIA.

**RS-232**

An EIA standard specifying the electrical interface between a DTE and a DCE.

**RS-422**

An EIA standard specifying a balanced digital interface allowing up to 16 devices to be attached to a common bus.

**RS-485**

An enhancement to RS-422. RS-485 is the same as RS-422, but allows up to 32 devices to be attached to a common bus.

**S**

**server**

In a CTOS cluster, the server provides resources for all the workstations in the cluster. The server's data communication resources, disk storage resources, tape drive, and other resources are all available to workstations in the cluster. The only server resources that are not available are the keyboard and the monitor.

**shared resource processor (SRP)**

A multiprocessor computer that is always used as a server.

### **SNA**

Acronym for Systems Network Architecture. This is an IBM proprietary architecture based on the SDLC protocol.

### **spur box**

A connector box installed on the main cluster cable. A drop cable connects a workstation to the spur box. A workstation can be connected to or disconnected from the spur box without affecting the operation of the cluster.

### **spur cluster**

A cluster that uses spur boxes and drop cables.

### **synchronous**

A transmission method in which blocks of data characters are marked by a sync character. The sync character tells the receiving station where the first bit of data begins; the receiving station can then correctly group every eight bits into the appropriate data character. Because this method does not mark each data character, it is about %20 more efficient than asynchronous transmission. Synchronous transmissions require clocking, asynchronous transmissions do not.

## **T**

### **TCP/IP**

Acronym for Transmission Control Protocol/Internet Protocol. A protocol developed by the US Department of Defense.

### **TeleCluster adapter**

An adapter that converts data in RS-485/RS-422 format to a format that can travel over unshielded twisted pair cable.

### **thicknet**

Common name for the 10Base5 Ethernet cable specified in IEEE 802.3. More workstations can be attached to it than to thinnet cable, and it can be used over greater distances. However, due to its larger diameter, it is not as flexible as thinnet.

### **thinnet**

Common name for the 10Base2 Ethernet cable specified in IEEE 802.3.

**U****unshielded twisted pair**

The standard telephone cable used in the United States. The wires are twisted to reduce crosstalk and produce a uniform characteristic impedance.

**W****WAN**

Acronym for wide area network. Refers to networks that extend over larger regional, national, or international areas.

**wire center**

In the Unisys implementation of token ring, wire centers are connected either in the same wiring closet or in different closets to form the main ring path. Workstations are then connected to the wire centers by lobe cables.

**wiring closet**

In a token ring network, a wiring closet is any location that has one or more wire centers. In general, however, a wiring closet refers to any room that has punchdown blocks. Typically, all of the telephone lines in one floor of a building are routed to a single wiring closet, and each of the wiring closets is routed to the central PBX.

**workstation**

A desktop computer that can function as a standalone system or be connected to a cluster.

**X****X-Bus**

A Unisys proprietary bus that provides the connections between modules. Used in CTOS/BTOS modular workstations.

**X.21**

A CCITT standard that specifies the electrical interface between an X.21 port and an X.21 DCE.





# Index

## A

- access control
  - Ethernet, 6-2
  - token ring, 6-5
- adapter cables
  - DB9-RJ45, 2-2
  - installing, 5-21
- adding
  - Ethernet segments, 8-15
  - token ring repeaters, 10-20
  - token ring wire centers, 10-20
  - workstations, token ring, 10-20
- attachment unit interface (AUI)
  - cable
    - described, 6-4
    - installing, 8-13
    - number required, 7-2

## B

- backbone bridge, 10-12
- BMulti, C-4
- BNet, 6-4
- BNet II, use with RS-232, C-3
- bridge clips, use of, 5-15
- bridges
  - backbone, 10-12
  - simple, 10-11
  - parallel, 10-12

## C

- cable
  - between hubs, 5-10
  - cluster, types of, A-2
  - connecting clusters by, 15-2
  - daisy-chaining, 5-21
  - Ethernet AUI, 6-4
  - lobe, token ring, 6-5, 10-7
  - modem, A-21
  - parallel printer, A-17
  - recommended distance from
    - power sources, 5-10, 10-5
  - ring trunk, 6-5, 10-18
  - specifications, cluster, A-2
  - specifications, TeleCluster, A-10
  - specifications, token ring, A-14
  - where to find, A-1
- Cable loops, Ethernet, 8-5
- Cable segment, Ethernet, 6-2
  - maximum lengths, 8-6
  - maximum workstations, 8-6
- Cable segmentation rules,
  - Ethernet, 8-11
- Calculating maximum cable
  - lengths, cluster, 3-9, 3-10
- Carrier sense, 6-2
- Cheapernet, 6-3
- Cluster
  - connecting to Ethernet, 8-15

- connecting to token ring, 10-21
- speeds, 3-13, 3-4
- starting the, 5-23
- types, 1-2
- Cluster cable
  - adding to existing, 3-4
  - connecting to a workstation, 3-14
  - distance from power cables, 3-6
  - drawing, A-4
  - installing, 3-14
  - maximum lengths (actual), 3-8
  - maximum lengths (peak), 3-4
  - pin assignments, A-3
  - specifications, A-2
  - types of, 2-2
  - type used with TeleCluster, 5-21
- Cluster server, 1-2
- Cluster workstation, 1-1
- ClusterCard
  - installing in a cluster, 3-19
  - types available, 2-2
  - using TeleCluster adapters with, 5-19
- ClusterShare, when required, 2-2
- Combining rings, 10-21
- Contention method, 6-2
- CSMA/CD, 6-2
- D**
- Daisy-chain cluster
  - basic description, 1-2
  - cluster cable supported, 2-2
  - PCs supported, 2-2
  - servers supported, 2-1
  - terminators required, 2-2
  - workstations supported, 2-1
- Daisy-chained hubs, TeleCluster
  - installing, 5-15
  - maximum length, 5-10
  - maximum speed, 5-4, 5-6
  - maximum workstations, 5-9
- Data rates
  - Ethernet, 6-2
  - Token ring, 6-5
  - RS-232, 11-2
  - X.21, 11-2
- DB9-RJ45 adapter
  - drawing, A-8
  - pin assignments, A-7
- DCA
  - DCA STI, C-4
  - DCA Transport, C-4
- DCE, X.21, 12-2
- Documentation, related, xviii
- Drawings
  - asynchronous crossed cable, A-25
  - cluster cable, A-4
  - DB9-RJ45 adapter, A-8
  - modem cable, A-21
  - parallel cable, A-18
  - RJ11-RJ45 adapter, A-12
  - RJ45 terminator, A-9
  - serial printer cable, A-31
  - synchronous crossed cable, A-29
  - terminator, cluster cable, A-6
- Drive distance, actual
  - calculating, 10-16
- Drive distance, maximum
  - calculating, 10-10, 10-15
  - defined, 10-9
  - obtaining greater maximums, 10-10
  - using fiber optic repeaters 10-17
  - using repeaters 10-14, 10-15

**E**

Error codes, TeleCluster, 5-32

**Ethernet**

- access method, 6-2
- carrier sense, 6-2
- configuration rules, 8-8
- data rates, 6-2
- described, 6-2
- link segment, 6-3
- maximum configuration, 8-7
- multidrop segment, 6-3
- network software, 6-4
- software required, C-3

**Ethernet modules**

- when required, 7-1

Extending Ethernet segments,  
8-14

**F****Fiber optic cable, Ethernet**

- maximum length, 8-6

**Fiber optic repeaters, token ring**

- how to use, 10-17
- maximum drive distance, 10-17

**Formulas**

- actual drive distance, token ring,  
10-16
- cluster cable length, 3-9, 3-11
- lobe cable length, token ring,  
10-8
- maximum drive distance, token  
ring, 10-10

**G**

Ground bonding, 8-11

**Grounding**

- in Ethernet, 8-10, 8-11
- in token ring, 10-18

**I**

IDMSS, 7-3, 9-2, 12-2

**Installing**

- adapter cables, DB9-RJ45, 5-21
  - AUI drop cables, 8-13
  - Ethernet cable, 8-12
  - Ethernet terminators and  
connectors, 8-12
  - MAUs, 8-13
  - Network Interface Units, 5-16
  - punchdown blocks, 5-11
  - repeaters, token ring, 10-19
  - TeleCluster adapters, 5-19
  - TeleCluster adapter power  
supply, 5-20
  - TeleCluster cable, 5-5
  - TeleCluster hubs, 5-11
  - terminators, 5-22
  - trunk cable, token ring, 10-18
  - wire centers, token ring, 10-18
- Inter-repeater link segment, 6-3
- Intermittent errors, TeleCluster,  
5-28

### L

- LEDs, TeleCluster adapter, 5-28
- Link segments
  - described, 6-3
  - maximum lengths, 8-6
  - types of, 6-4
  - workstations supported by, 8-6
- Lobe cable
  - described, 6-5
  - maximum length, 10-7
  - obtaining greater length
    - maximums, 10-8
- Local area network (LAN)
  - defined, 6-1
  - types supported by CTOS, 6-1
- Locating
  - wiring closets, token ring, 10-4
  - workstations, token ring, 10-4
- Loops, in Ethernet cabling, 8-5

### M

- Maximum
  - drive distance, 10-9, 10-15, 10-17
  - lobe length, 10-7, 10-8
  - configuration, Ethernet, 8-7
  - data path, Ethernet, 8-6
- Maximum lengths
  - between TeleCluster hubs, 5-10
  - cluster cable (peak maximum),
    - 3-5
  - cluster cable (actual maximum),
    - 3-8
  - daisy-chain, TeleCluster, 5-21
- Measuring cluster cable voltage,
  - 3-13, 3-16

- Medium access unit (MAU)
  - described, 6-4
  - installing, 8-13
  - number required, 7-2
- Minimum lengths
  - cluster cable, 3-6
  - TeleCluster cable, 5-9
- Mixing cable types, Ethernet, 8-8
- Modem cable
  - drawing, A-21
  - pin assignments, A-21
- Modems, connecting clusters by,
  - 14-2, 15-1
- Modular jacks
  - installing, 5-17
  - number required for TeleCluster,
    - 4-3
  - tip/ring polarity on, 5-18
- Multidrop segment
  - described, 6-3
  - maximum lengths, 8-6
  - types of, 6-3
  - workstations supported by, 8-6
- Multiple wiring closets, token ring,
  - 10-9

### N

- Network access control
  - Ethernet, 6-2
  - Token ring, 6-5
- Network Interface Unit
  - installing, 5-16
  - number required, 4-3
  - when required, 4-3

Network software  
  token ring, 6-6  
  Ethernet, 6-4  
  Network support, cluster, 1-1

## O

OSI  
  Session, 6-4, C-3  
  STI, C-3  
  Transport LAN, C-3

## P

Parallel cable  
  pin assignments, A-17  
  drawing, A-18  
Parallel bridge, 10-12  
PCs  
  connecting to daisy-chain cluster,  
    3-16  
  cluster speeds supported by, 3-16  
  types supported, 2-2  
Physical dimensions, TeleCluster  
  components, 5-32  
Pin assignments  
  asynchronous crossed cable,  
    A-23  
  cluster cable, A-3  
  DB9-RJ45 adapter, A-7  
  modem cable, A-21  
  parallel cable, A-17  
  RJ11-RJ45 adapter, A-12  
  RJ45 terminator, A-8  
  serial printer cable, A-30  
  synchronous crossed cable, A-27  
  terminator, cluster cable, A-5

Polarity, TeleCluster tip/ring, 5-11  
Power supply, TeleCluster adapter  
  installing, 5-20  
  when required, 4-4  
Punchdown blocks  
  maximum number allowed, 5-10,  
    5-16  
  types supported, 4-4  
  where to install, 5-11  
  wiring, 5-11

## R

Related documentation, xviii  
Repeaters, token ring  
  affect on maximum drive  
    distance, 10-14  
  availability, 9-2  
  copper, 10-13  
  installing, 10-19  
  fiber optic, 10-17  
  number required, 9-2  
  removing or adding, 10-20  
  types, 10-13  
  using, 10-13  
  where installed, 10-14  
Rings  
  combining rings, 10-21  
  splitting one into several, 10-20  
Ring trunk cable, 6-5  
  installing, 10-18  
RJ11-RJ45 adapter  
  drawing, A-12  
  pin assignments, A-12  
RJ45 terminator, drawing, A-9  
RJ45 jacks  
  installing, 5-17

- number required for TeleCluster, 4-3
- Routing cable
  - RS-232 cable, 14-2
  - communications modules 14-1
  - connecting clusters, methods of, 15-1, 15-2
  - described, 11-2
  - modems, 14-2
  - software required, C-3
- RS-422 ports, workstations with, B-1
- RS-485 ports, workstations with, B-1

**S**

- Scanner cable, A-20
- Segmenting Ethernet cable, 8-11
- Servers
  - connecting to daisy-chain cluster, 3-13
  - location, 3-7
  - support for, RS-232, 14-1
  - types allowed for Ethernet, 7-1
  - types allowed in token ring networks, 9-1
  - types used in X.21 networks, 12-1
  - where to locate, 3-7
- Shared resource processors
  - Osupport for RS-232, 14-1
  - use in token ring networks, 9-1
  - using in Ethernet networks, 7-1
  - using in X.21 networks, 12-1
- Simple bridge, 10-11
  - Single wiring closet, token ring, 10-6

- SNA
  - described, 6-6
  - BNet, C-3
  - LUIS, C-5
  - RJE, C-5
  - software required, C-3
  - terminal emulators, C-5
  - Transport, C-3, C-5
- Specifications
  - cluster cable, A-2
  - token ring cable, A-14
  - unshielded twisted pair cable (TeleCluster), A-10
- Speeds, cluster, 3-4, 3-13
- Splitting rings, 10-20
- Spur clusters
  - cable length restrictions, D-2
  - cable type, D-2
  - described, D-1
  - installing cable, D-2
  - maximum speed, D-2
  - versus TeleCluster, D-1
  - Spur connector boxes, how to build, D-3
- Starting a TeleCluster network, 5-23

**T**

- TCP/IP, C-6
- TDI
  - described, E-1
  - cable, E-2
  - configuration, E-3
  - installing, E-5
  - maximum cable lengths, E-3
  - modules and converters, E-2

- protocols, E-1
- workstations supported, E-3
- TeleCluster
  - basic description, 1-4
  - cables used in, 4-2
  - cluster speeds supported, 5-4
  - error codes, 5-32
  - hub location, 5-10
  - intermittent errors, 5-28
  - maximum cable lengths, 5-5
  - maximum number of
    - workstations, 5-9
  - minimum cable lengths, 5-9
  - mixing wire sizes, 5-4
  - typical hardware requirements, 4-1
  - unshielded twisted pair, sizes supported, 5-4
  - using token ring/IBM type cable, 5-4
- TeleCluster adapters
  - installing, 5-19
  - hubs, number required, 4-3
  - LED states, 5-28
  - number required, 4-3
  - power supply, when required, 4-4
  - physical dimensions, 5-32
  - using with ClusterCard, 5-19
- TeleCluster hubs
  - dimensions, 5-32
  - error codes, 5-32
  - front panel controls, 5-23
  - installing, 5-11
  - loopback test, 5-31
  - maximum length, daisy-chain, 5-10
  - maximum number per installation, 4-3
  - speeds allowed when
    - daisy-chained, 5-4, 5-6
  - troubleshooting, 5-30
  - where to locate, 5-10
- Terminators
  - cluster cable, A-5
  - impedance, 2-2
  - installing, 3-14, 3-17, 5-22
  - number required, cluster, 2-2
  - number required, Ethernet, 7-2
  - RJ45, 3-17, A-8
  - using with TeleCluster, 4-2, 4-3
- Thicknet, 6-3
- Thinnet, 6-3
- Tip/ring polarity, RJ45 jacks, 5-18
- Token ring
  - access method, 6-5
  - cable, 9-1
  - cable specifications, A-14
  - connecting clusters to a, 10-21
  - described, 6-5
  - maximum drive distance in a,
    - 10-9, 10-15
  - maximum lobe length in a, 10-7,
    - 10-8
  - modules, 9-1
  - network software required by a,
    - 6-6
  - repeaters, 9-2
  - servers used with, 9-1
  - using a single wiring closet in a,
    - 10-6
  - wire centers, 9-2
  - using bridges in a, 10-11
  - using multiple wiring closets in a,
    - 10-9
  - using repeaters in a, 10-13
  - token, 6-5

### Troubleshooting

- flowcharts, 5-24
- individual workstations, 5-28
- intermittent errors, 5-28
- server access problems, 5-24, 5-26
- TeleCluster hubs, 5-30
- using TeleCluster LEDs, 5-28

## U

### Unshielded twisted pair

- sizes used in TeleCluster, 5-4
- specifications, A-10

## V

### Voice/Data TeleCluster

- compatibility with Advanced TeleCluster, F-1, F-2
- daisy-chaining hubs, F-2
- described, F-1
- Voltage, measuring cluster cable, 3-13, 3-16
- VTE emulator, C-6

## W

### Wide area network (WAN)

- CTOS connections to, 11-1
- defined, 11-1
- Wire Centers
  - adding or removing, 10-20
  - described, 6-5
  - installing, 10-18
  - maximum allowed, 10-4
  - number required, 10-4
- Wiring closets
  - preparing for TeleCluster hub, 5-2

preparing for token ring, 10-2

- usage in token ring networks, 6-5
- using a single central, 10-6
- using multiple, 10-9
- where to locate, token ring, 10-2, 10-4

### Workstations

- adding to a token ring network, 10-20
- can't access server, 5-24, 5-26
- cluster speeds supported by, B-1
- connecting to a cluster, 3-15
- daisy-chaining to TeleCluster, 5-20
- list of, B-1
- maximum number in a cluster, 3-5
- maximum number, TeleCluster, 5-9
- removing from an Ethernet network, 8-14
- removing from a token ring network, 10-20
- where to locate, token ring, 10-4

## X

### X.21

- communications modules, 12-1
- connecting to a DCE, 13-1
- DCE requirements, 12-2
- described, 11-2
- signals, 13-3
- supported servers, 12-1

### X.25

- connecting to, 13-1
- software required, C-3

XE-LAN Relay, 7-1



# Help Us To Help You

Publication Title \_\_\_\_\_

Form Number \_\_\_\_\_

Date \_\_\_\_\_

Unisys Corporation is interested in your comments and suggestions regarding this manual. We will use them to improve the quality of your Product Information. Please check type of suggestion:

Addition

Deletion

Revision

Error

Comments \_\_\_\_\_  
\_\_\_\_\_  
\_\_\_\_\_

Name \_\_\_\_\_

Title \_\_\_\_\_

Company \_\_\_\_\_

Address (Street, City, State, Zip) \_\_\_\_\_

Telephone Number \_\_\_\_\_

# Help Us To Help You

Publication Title \_\_\_\_\_

Form Number \_\_\_\_\_

Date \_\_\_\_\_

Unisys Corporation is interested in your comments and suggestions regarding this manual. We will use them to improve the quality of your Product Information. Please check type of suggestion:

Addition

Deletion

Revision

Error

Comments \_\_\_\_\_  
\_\_\_\_\_  
\_\_\_\_\_

Name \_\_\_\_\_

Title \_\_\_\_\_

Company \_\_\_\_\_

Address (Street, City, State, Zip) \_\_\_\_\_

Telephone Number \_\_\_\_\_



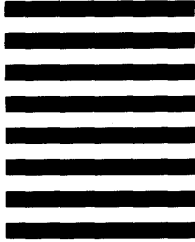
No Postage  
necessary  
if mailed in the  
United States

# BUSINESS REPLY MAIL

FIRST CLASS MAIL PERMIT NO. 1807 SAN JOSE, CA

Postage Will Be Paid By Addressee

**Unisys Corporation**  
**Attn: Technical Publications**  
2700 North First Street  
PO Box 6685  
San Jose, CA 95150-6685



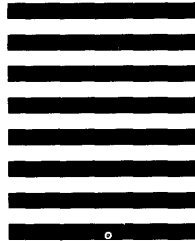
No Postage  
necessary  
if mailed in the  
United States

# BUSINESS REPLY MAIL

FIRST CLASS MAIL PERMIT NO. 1807 SAN JOSE, CA

Postage Will Be Paid By Addressee

**Unisys Corporation**  
**Attn: Technical Publications**  
2700 North First Street  
PO Box 6685  
San Jose, CA 95150-6685







09-02702