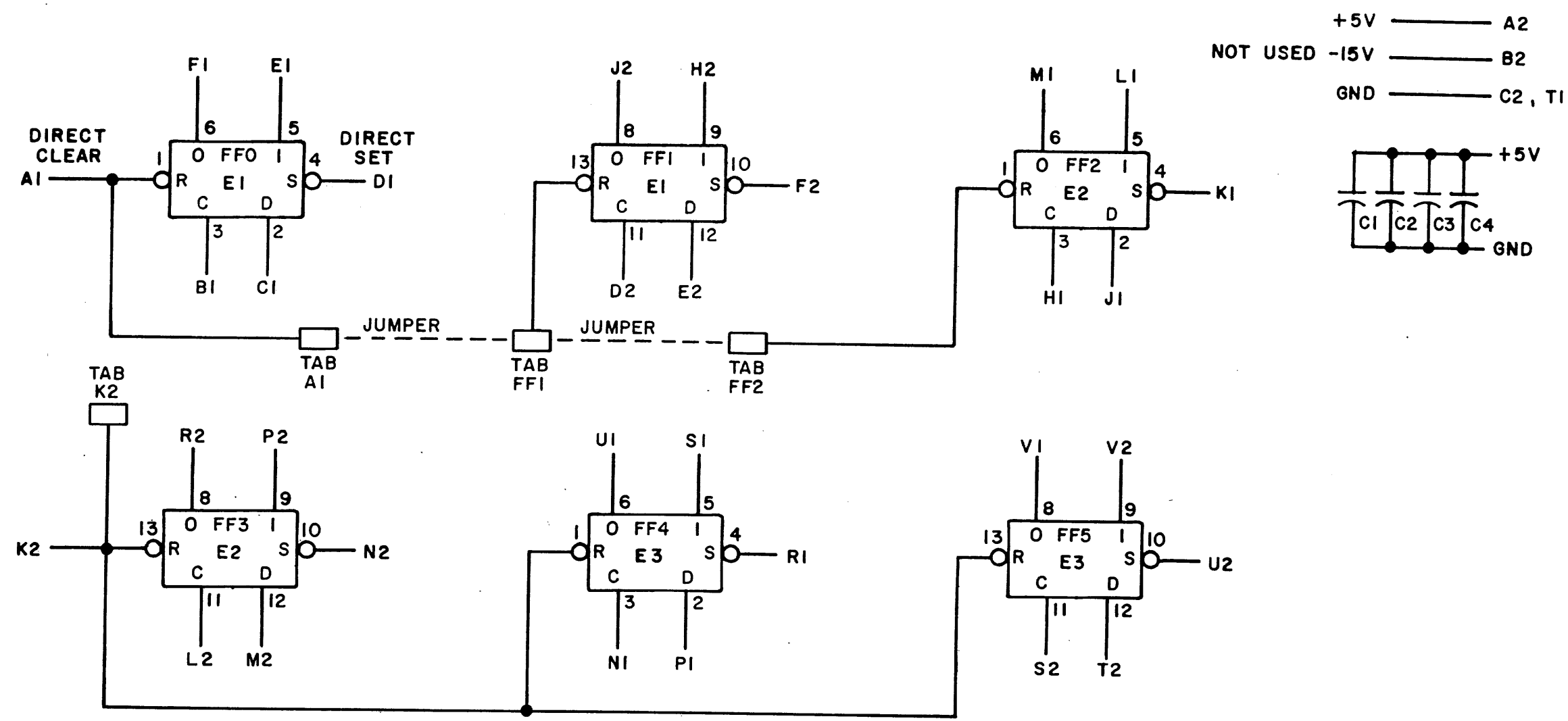


THIS SCHEMATIC IS FURNISHED ONLY FOR TEST AND MAINTENANCE PURPOSES. THE CIRCUITS ARE PROPRIETARY IN NATURE AND SHOULD BE TREATED ACCORDINGLY. COPYRIGHT 1967 BY DIGITAL EQUIPMENT CORPORATION



NOTES:
 PIN 7 ON EACH IC = GND
 PIN 14 ON EACH IC = +5V

E1 THRU E3	INTEGRATED CKT. DEC7474N	1905547
C1 THRU C4	CAP. .01MFD 100V 20% DISC	1001610
	PARTS LIST	A-PL-M206-0-0
REFERENCE DESIGNATION	DESCRIPTION	PART NO.

PARTS LIST

REVISIONS CHG NO. REV. 6810 A 00001 B	DRN. <i>M. Waller</i>	DATE 4-15-67	TRANSISTOR & DIODE CONVERSION CHART <table border="1" style="width: 100%;"> <tr> <td>DEC</td><td>EIA</td><td>DEC</td><td>EIA</td></tr> <tr><td> </td><td> </td><td> </td><td> </td></tr> <tr><td> </td><td> </td><td> </td><td> </td></tr> <tr><td> </td><td> </td><td> </td><td> </td></tr> </table>				DEC	EIA	DEC	EIA														TITLE SIX FLIP-FLOPS M206	
	DEC	EIA					DEC	EIA																	
CHK'D <i>M. Waller</i>	DATE 4-21-67	EQUIPMENT CORPORATION MAYNARD, MASSACHUSETTS	SIZE B	CODE CS	NUMBER M206-0-1	REV. B																			
ENG. <i>L. White</i>	DATE 4-21-67		PRINTED CIRCUIT REV. D																						
PROD.	DATE		DIST. 324 434 435																						

↑

PINK