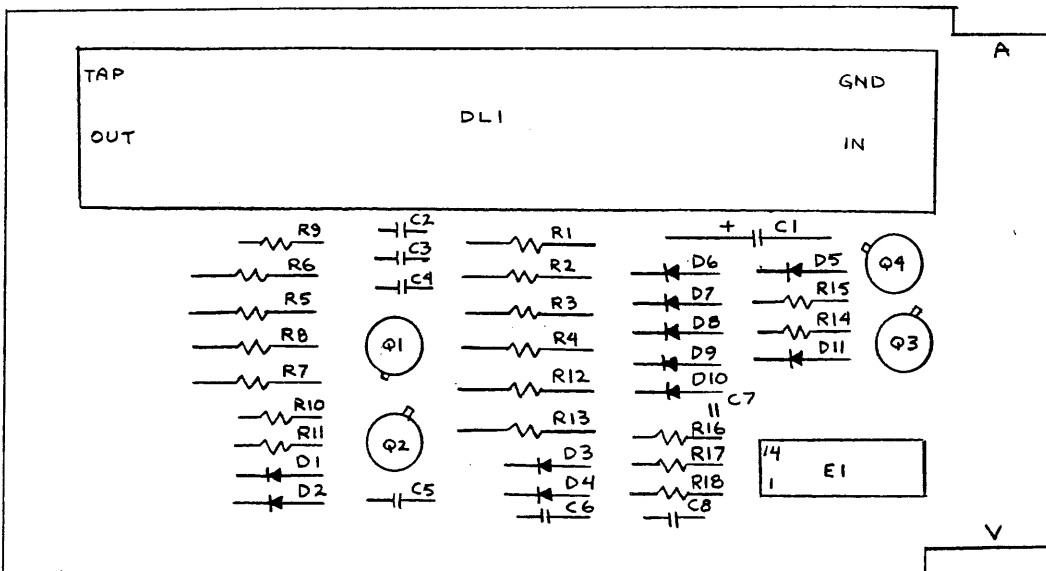
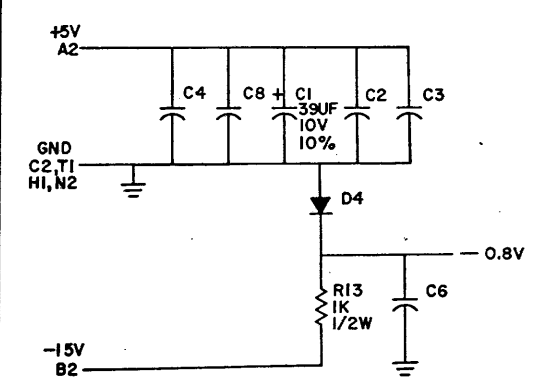
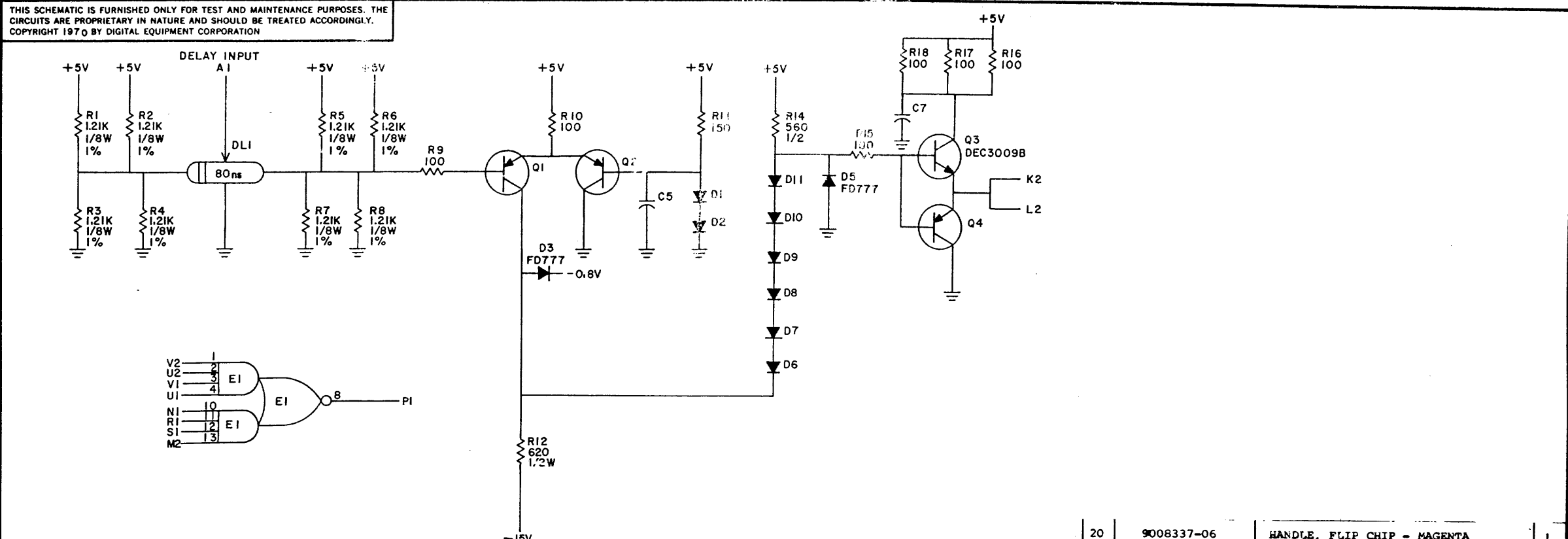


THIS SCHEMATIC IS FURNISHED ONLY FOR TEST AND MAINTENANCE PURPOSES. THE CIRCUITS ARE PROPRIETARY IN NATURE AND SHOULD BE TREATED ACCORDINGLY. COPYRIGHT 1970 BY DIGITAL EQUIPMENT CORPORATION



UNLESS OTHERWISE INDICATED:
 RESISTORS ARE 1/4W, 5%
 CAPACITORS ARE .01 UF, 100V, 20%
 DIODES ARE D662
 TRANSISTORS ARE DEC4258
 E1 IS 1074H55
 PIN 7 ON IC = GND
 PIN 14 ON IC = +5V
 DELAY LINE IS A 1610079-0

ITEM NO.	DEC PART NO.	DESCRIPTION	QTY.
20	9008337-06	HANDLE, FLIP CHIP - MAGENTA	1
19	9006732	EYELET #GS4-7	2
18	1610079-0	DELAY LINE 80NSDC VAR 300 5%	1
17	1900006	I.C. DEC 1074H55	1
16	1505321	TRANSISTOR 2N4258	3
15	1503100	TRANSISTOR DEC 3009B	1
14	1302871	RES. 1.21K 1/8W 1% MF	8
13	1301890	RES. 560 1/2W 5%	1
12	1301732	RES. 620 1/2W 5%	1
11	1300364	RES. 1K 1/2W 5%	1
10	1300250	RES. 150 1/2W 5%	1
9	1300229	RES. 100 1/2W 5%	6
8	1103041	DIODE FD777	2
7	1100113	DIODE D662	9
6	1000010	CAP. .01UF 100V 20% DISC	7
5	1000076	CAP. 39UF 10V 10% S. TANT	1
4	5009113	ETCHED CIRCUIT BOARD	1
3	B-MH-M363-0-6	MODULE ECO HISTORY	
2	C-AH-M363-0-5	ASSY/DRILLING HOLE LAYOUT	
1	K-CO-M363-0-4	X-Y COORDINATE HOLE LOCATION	
PARTS LIST			

REV.	CHK	ENG	DATE
A	00001	R. W.	8/3/70
B	00002	R. W.	8/26/70
C	00003	R. W.	8/26/70
D	00004	R. W.	8/26/70

DEC FORM NO. DRC 102

DRN. S. COOPER
 CHK'D R. WALDIE
 ENG. R. WALDIE
 PROD. R. WALDIE

TRANSISTOR & DIODE CONVERSION CHART			
DEC	EIA	DEC	EIA
DEC 3009B	2N3009B		
DEC 4258	2N4258		
D662	1N643		
FD777	NONE		

digital EQUIPMENT CORPORATION
 MAYNARD, MASSACHUSETTS

TITLE: VARIABLE DELAY M363

SIZE: C CODE: CS NUMBER: M363-0-1 REV. D

PRINTED CIRCUIT REV. B