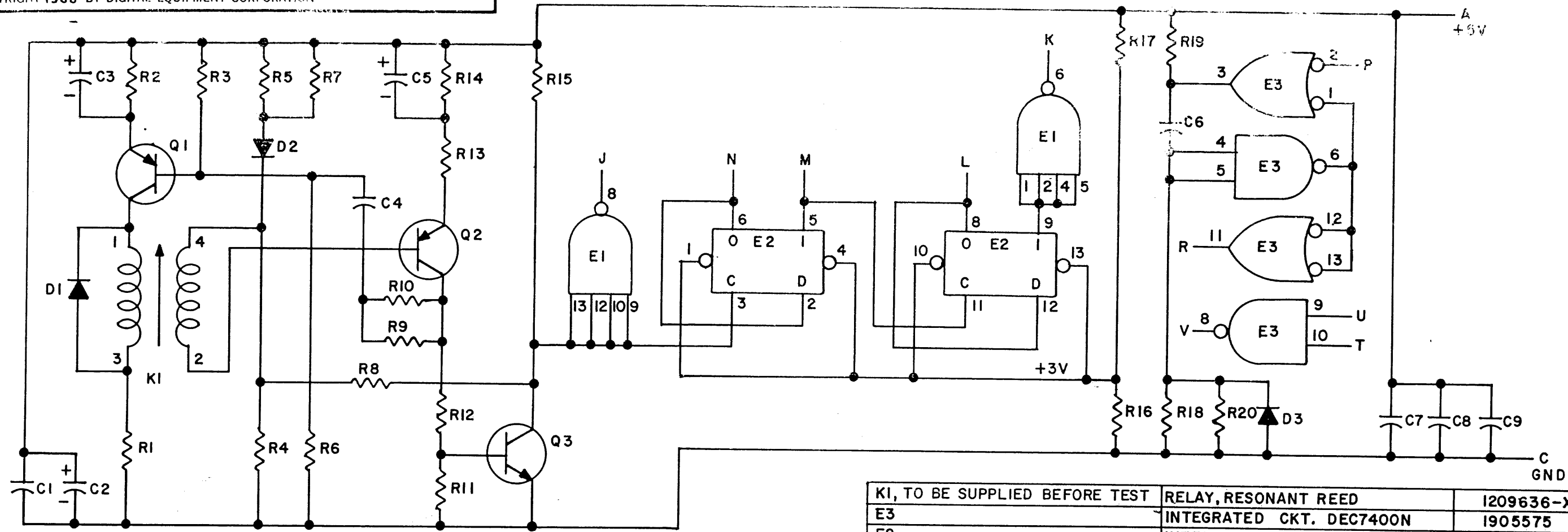


THIS SCHEMATIC IS FURNISHED ONLY FOR TEST AND MAINTENANCE PURPOSES. THE CIRCUITS ARE PROPRIETARY IN NATURE AND SHOULD BE TREATED ACCORDINGLY. COPYRIGHT 1968 BY DIGITAL EQUIPMENT CORPORATION

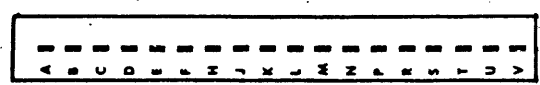
REV. C
 NUMBER M410-0-1
 SIZE CODE B CS
 NUMBER



NOTE:
 THE VARIANT IN KI SPECIFIED AS -XX CHANGES ACCORDING TO FREQUENCY.
 FOR FREQUENCIES NOT SPECIFIED AS XX VARIANTS, KI BECOMES PART #1209640-00
 FREQUENCY IN Hz FREQUENCY RANGE IS 70-3150 Hz

PIN 7 ON EACH IC = GND
 PIN 14 ON EACH IC = +5V

REFERENCE DESIGNATION	DESCRIPTION	PART NO.
K1, TO BE SUPPLIED BEFORE TEST	RELAY, RESONANT REED	1209636-XX
E3	INTEGRATED CKT. DEC7400N	1905575
E2	INTEGRATED CKT. DEC7474N	1905547
E1	INTEGRATED CKT. DEC7440N	1905579
Q3	TRANSISTOR DEC3009B-S	1503100
Q1, Q2	TRANSISTOR DEC6534D	1503409
R13	RES. 82 1/4W 10% CC	1300224
R8	RES. 4.7K 1/4W 10% CC	1300448
R4, R5, R7, R11, R12, R17, R18, R19, R20	RES. 470 1/4W 10% CC	1300317
R3, R6, R9, R10	RES. 27K 1/4W 10% CC	1300508
R1, R2, R14, R15, R16	RES. 1.5K 1/4W 5% CC	1300391
D1 - D3	DIODE D664	1100114
C6	CAP. 470MMF 100V 5% D.M.	1000024
C4	CAP. .1MFD 100V 10%	1002342
C2, C3, C5	CAP. 39MFD 10V 10% S.TANT.	1000076
C1, C7, C8, C9	CAP. .01MFD 100V 20% DISC	1001610
	PARTS LIST	A-PL-M410-0-0



REVISIONS CHK CHG NO. REV. 00001 A 00002 B 00003 C	DRN. <i>M. Waller</i> DATE 12-2-68	TRANSISTOR & DIODE CONVERSION CHART		digital EQUIPMENT CORPORATION MAYNARD, MASSACHUSETTS	TITLE REED CLOCK M410			
	CHK'D <i>M. Mansfield</i> DATE 12-16-68	DEC	EIA		SIZE B	CODE CS	NUMBER M410-0-1	REV. C
	ENG. <i>A. Pickett</i> DATE 2-5-69	DEC6534D	MPS6534					
	PROD. DATE	DEC3009B	2N3009					
		D664	IN3606					
DEC FORM NO. DRB 102				PRINTED CIRCUIT REV. A				