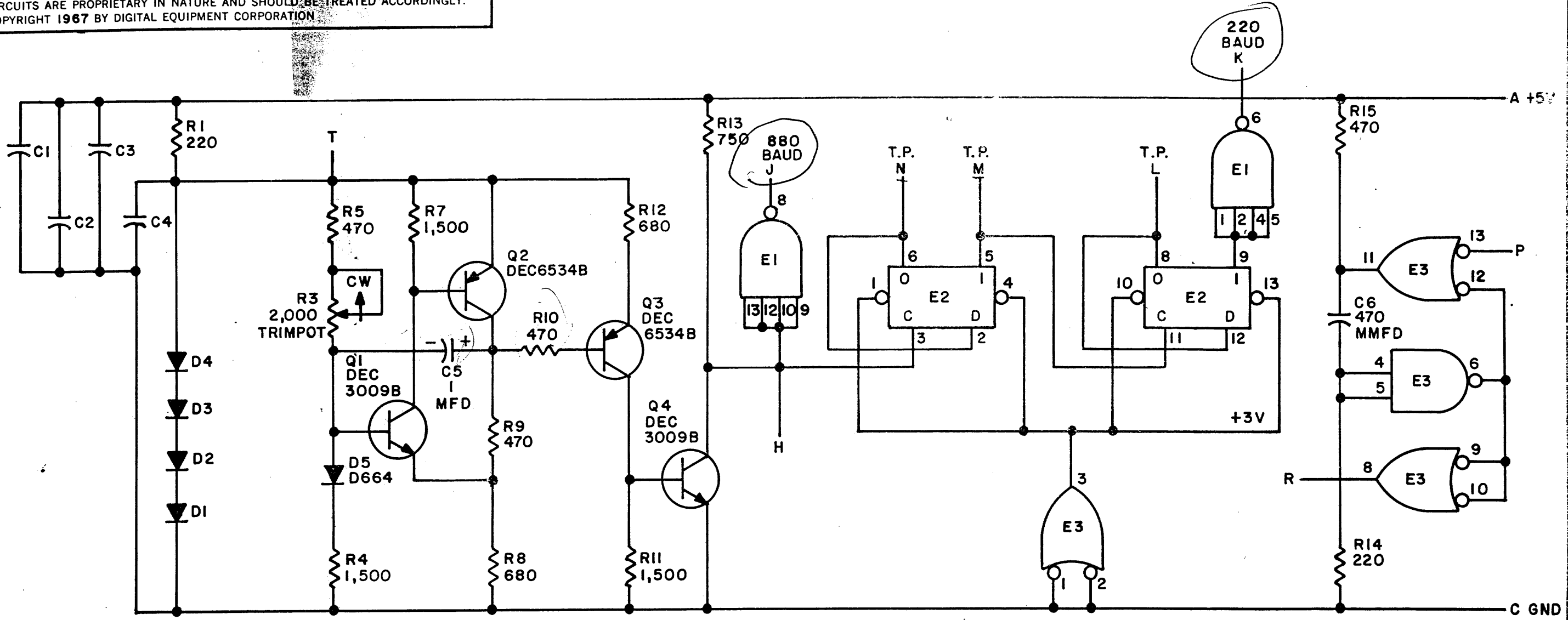
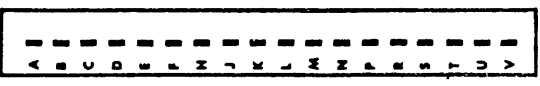


THIS SCHEMATIC IS FURNISHED ONLY FOR TEST AND MAINTENANCE PURPOSES. THE CIRCUITS ARE PROPRIETARY IN NATURE AND SHOULD BE TREATED ACCORDINGLY. COPYRIGHT 1967 BY DIGITAL EQUIPMENT CORPORATION



UNLESS OTHERWISE INDICATED:  
 RESISTORS ARE 1/4W, 5%  
 CAPACITORS ARE .01 MFD  
 C5 IS 35V, 10%, TANT.  
 DIODES ARE D662  
 E1 IS DEC7440N  
 E2 IS DEC7474N  
 E3 IS DEC7400N  
 PIN 7 ON EACH IC = GND  
 PIN 14 ON EACH IC = +5V  
 R3 IS A #275P



REVISIONS CHK CHG NO. REV	DRN. <i>M. Waller</i>	DATE 4-7-67	TRANSISTOR & DIODE CONVERSION CHART			TITLE VARIABLE CLOCK M452			
	CHK'D <i>[Signature]</i>	DATE 4/11/67	DEC	EIA		SIZE	CODE	NUMBER	
	ENG. <i>[Signature]</i>	DATE 4/28/67	DEC3009B	2N3009	EQUIPMENT CORPORATION MAYNARD, MASSACHUSETTS	B	CS	M452-0-1	REV. A
	PROD. 1	DATE	D662	IN645		PRINTED CIRCUIT REV.		A	
			D664	IN3606					