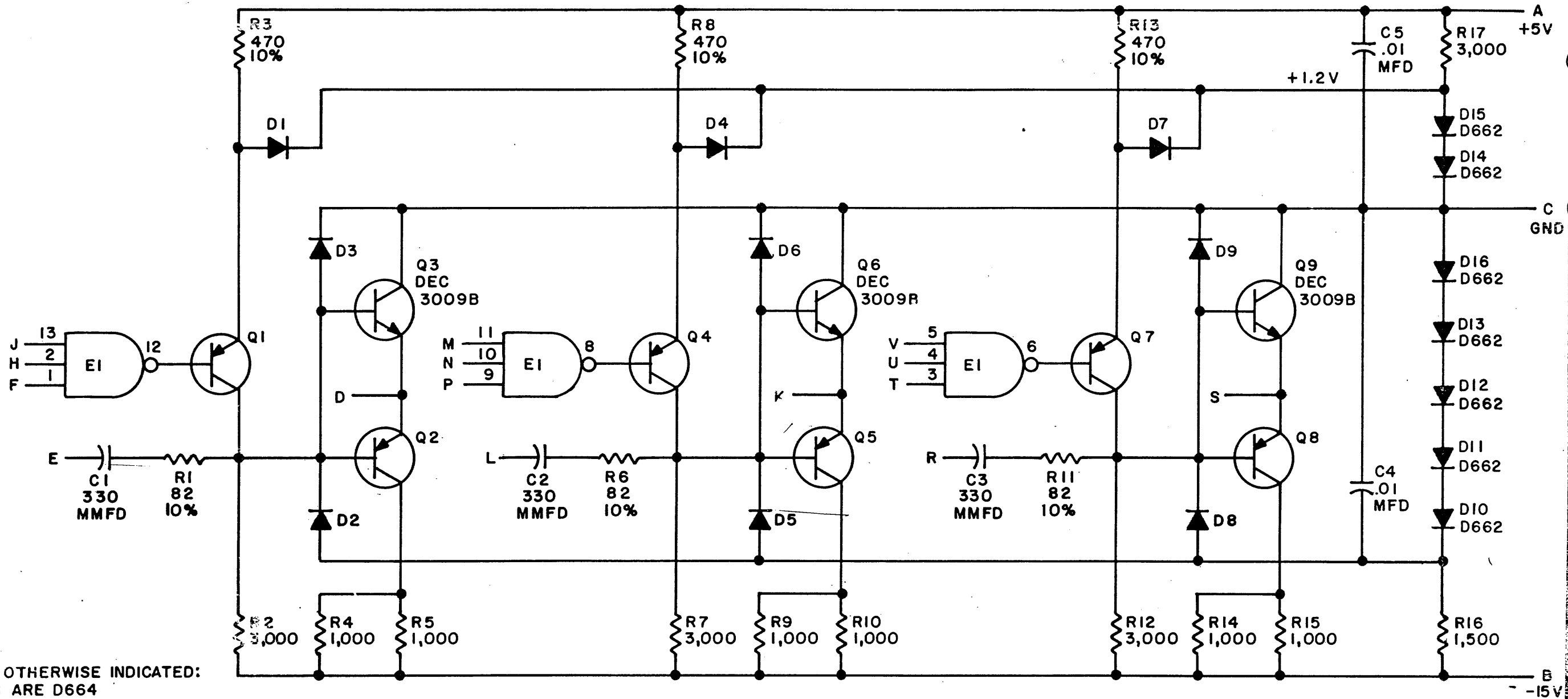


THIS SCHEMATIC IS FURNISHED ONLY FOR TEST AND MAINTENANCE PURPOSES. THE CIRCUITS ARE PROPRIETARY IN NATURE AND SHOULD BE TREATED ACCORDINGLY. COPYRIGHT 1967 BY DIGITAL EQUIPMENT CORPORATION



UNLESS OTHERWISE INDICATED:
 DIODES ARE D664
 TRANSISTORS ARE DEC6534B
 RESISTORS ARE 1/4W, 5%
 IC IS DEC7410N
 PIN 7 ON IC = GND
 PIN 14 ON IC = +5V



PARTS LIST A-PL-M650-0-0

REVISIONS	CHK	CHG NO.	REV.
		6676	A
		7105	B
		00001	C

DRN. <i>M. Haller</i>	DATE 4-6-67
CHK'D <i>[Signature]</i>	DATE 4/19/67
ENG. <i>[Signature]</i>	DATE 4/28/67
PROD.	DATE

TRANSISTOR & DIODE CONVERSION CHART			
DEC		EIA	
DEC3009B		2N3009	
DEC6534B		MPS6534	
D662		1N645	
D664		1N3606	

digital
 EQUIPMENT CORPORATION
 MAYNARD, MASSACHUSETTS

TITLE NEGATIVE OUTPUT CONVERTER M650			
SIZE B	CODE CS	NUMBER M650-0-1	REV. C
PRINTED CIRCUIT REV.			D