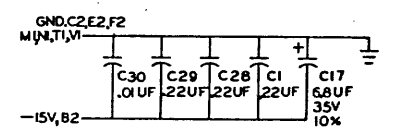
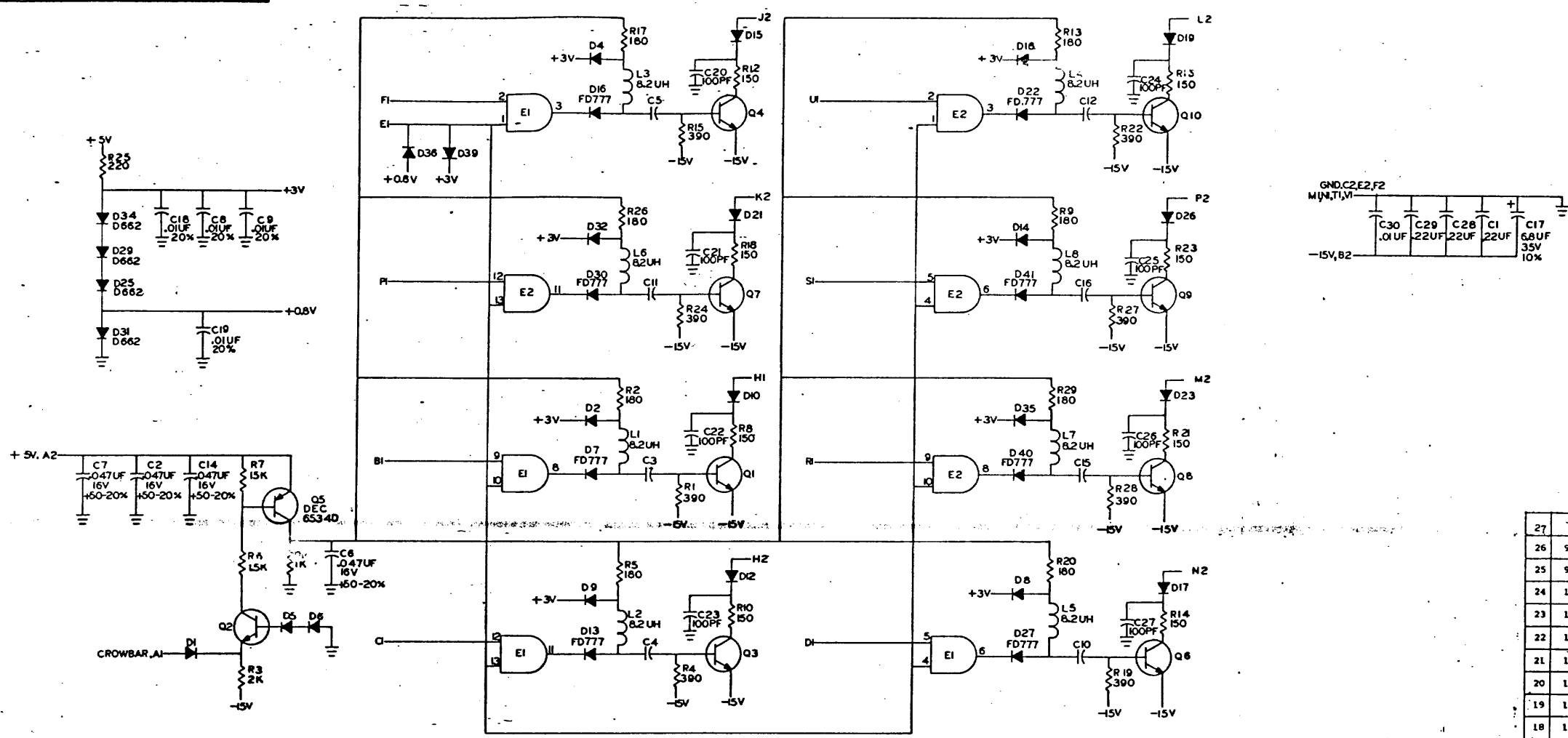
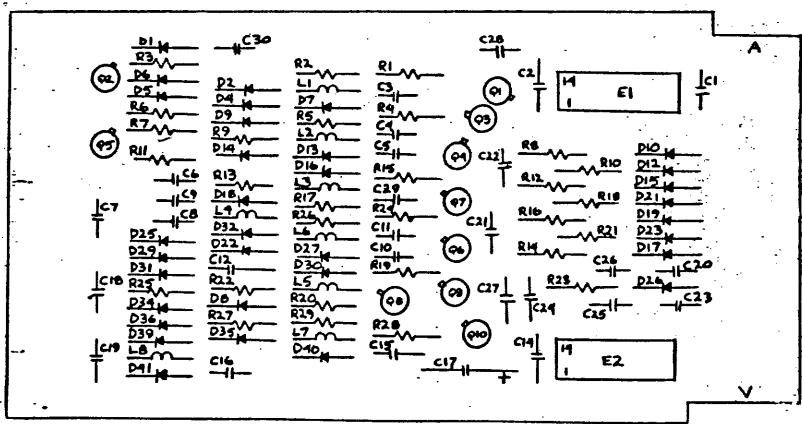


THIS SCHEMATIC IS FURNISHED ONLY FOR TEST AND MAINTENANCE PURPOSES. THE CIRCUITS ARE PROPRIETARY IN NATURE AND SHOULD BE TREATED ACCORDINGLY. COPYRIGHT 1971 BY DIGITAL EQUIPMENT CORPORATION.

0-999W S3 Q 3000 3/75



UNLESS OTHERWISE INDICATED:
 DIODES = D664
 RESISTORS = 1/4W, 5%
 TRANSISTORS = DEC3009B
 E1 E2 = DEC3001
 PIN 7 = GND ON ALL IC'S
 PIN 14 = +5V
 CAPACITORS = 180PF, 100V, 5%



QTY	PART NO.	DESCRIPTION	REV.
27	1300250	RES. 150, 1/4W, 5%	8
26	9008337-06	HANDLE, FLIP CHIP - MAGENTA	1
25	9006732	EYELET WGS4-7	2
24	1909514	I.C. DEC 3001	2
23	1610273	INDUCTANCE 0.2 UH	8
22	1503409	TRANSISTOR DEC 6534D	1
21	1503100	TRANSISTOR DEC 3009B	9
20	1302388	RES. 2K, 1/4W, 5%	1
19	1301322	RES. 180, 1/4W, 5%	8
18	1300496	RES. 15K, 1/4W, 5%	1
17	1300391	RES. 1.5K, 1/4W, 5%	1
16	1300365	RES. 1K, 1/4W, 5%	1
15	1300309	RES. 390, 1/4W, 5%	8
14	1300271	RES. 220, 1/4W, 5%	1
13	1103041	DIODE FD777	8
12	1100114	DIODE D664	21
11	1100113	DIODE D662	4
10	1010274	CAP. .22UF 50V	3
9	1009678	CAP. .047UF, 16V, 450-20%	4
8	1005306	CAP. 6.8UF, 35V, 10% S. TART	1
7	1001610	CAP. .01UF, 100V, 20% DISC	5
6	1000020	CAP. 180PF, 100V, 5%	8
5	1000016	CAP. 100PF, 100V, 5%	8
4	5009408	ETCHED CIRCUIT BOARD	1
3	B-M-P665-0-6	MODULE ECC HISTORY	
2	C-AI-P665-0-5	ASSY/DRILLING HOLE LAYOUT	
1	K-CC-P565-0-4	X-Y COORDINATE HOLE LOCATION	
17	DEC PART NO.	DESCRIPTION	QTY
PARTS LIST			

REV.	DATE	BY	CHKD.
1	1-15-76	R. J. DONNELLY	
2	2-2-77		
3	2-9-77	P. Sullivan	

TRANSISTOR & DIODE CONVERSION CHART			
DATE	DEC	EM	DEC
DATE	D664	19645	
DATE	FD777	19645	
DATE	DEC3009B	1964534	
DATE	DEC3009B	213009B	
DATE	D664	196406	

digital
 EQUIPMENT CORPORATION
 TITLE: MEMORY BUS TRANSMITTER M665
 PART CODE: M665-0-1
 NUMBER: M665-0-1
 REV. E

P.2A Blue