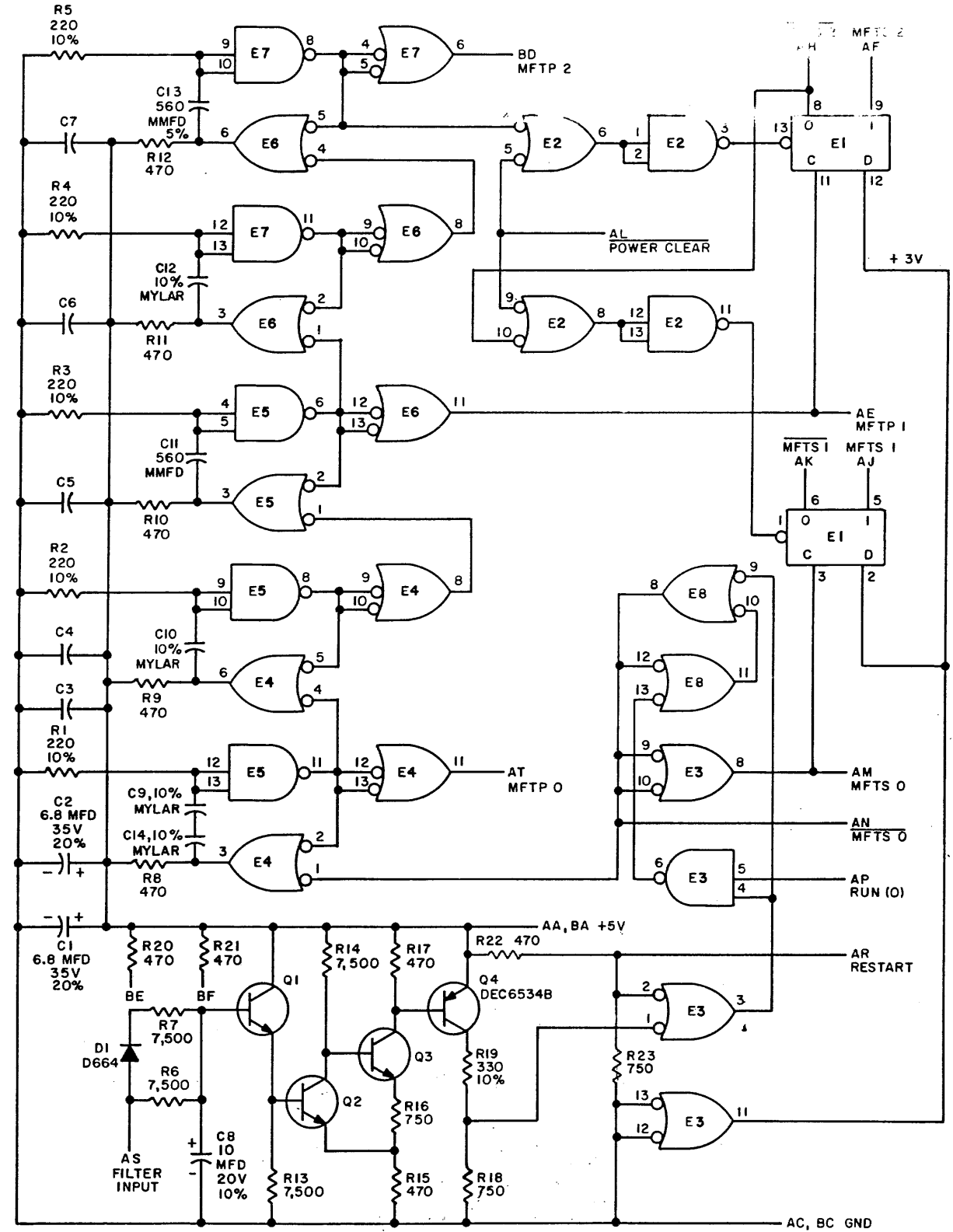


THIS SCHEMATIC IS FURNISHED ONLY FOR TEST AND MAINTENANCE PURPOSES. THE CIRCUITS ARE PROPRIETARY IN NATURE AND SHOULD BE TREATED ACCORDINGLY. COPYRIGHT 1967 BY DIGITAL EQUIPMENT CORPORATION



UNLESS OTHERWISE INDICATED:  
 TRANSISTORS ARE DEC3009B  
 CAPACITORS ARE .01 MFD, 100V, 20%  
 RESISTORS ARE 1/4W, 5%  
 E1 IS DEC7474  
 E2, E3, E4, E5, E6, E7, E8 ARE DEC7400  
 PIN 7 ON EACH IC = GND  
 PIN 14 ON EACH IC = +5V

PARTS LIST A-PL-M700-0-0

REV.	CHK	CHG	NO.	REV.
1	6829	A	00001	B
2	00002		00002	E

DEC FORM NO. DRC 102

DRN. M. Walker	DATE 4-27-67
CHK'D	DATE 5/3/67
ENR. J. O'Connell	DATE 5/16/67
PROD. J. O'Connell	DATE 2-8-68

TRANSISTOR & DIODE CONVERSION CHART			
DEC	EIA	DEC	EIA
DEC3009B	2N3009		
DEC6534B	MPS6534		
D664	1N3606		

**digital**  
 EQUIPMENT CORPORATION  
 MAYNARD, MASSACHUSETTS

TITLE		MANUAL TIMING GENERATOR M700	
SIZE	CODE	NUMBER	REV.
C	CS	M700-0-1	E
PRINTED CIRCUIT REV.			E

REV. E  
 NUMBER M700-0-1  
 SIZE CODE C CS

PINK - Dist. 324/434/435 5