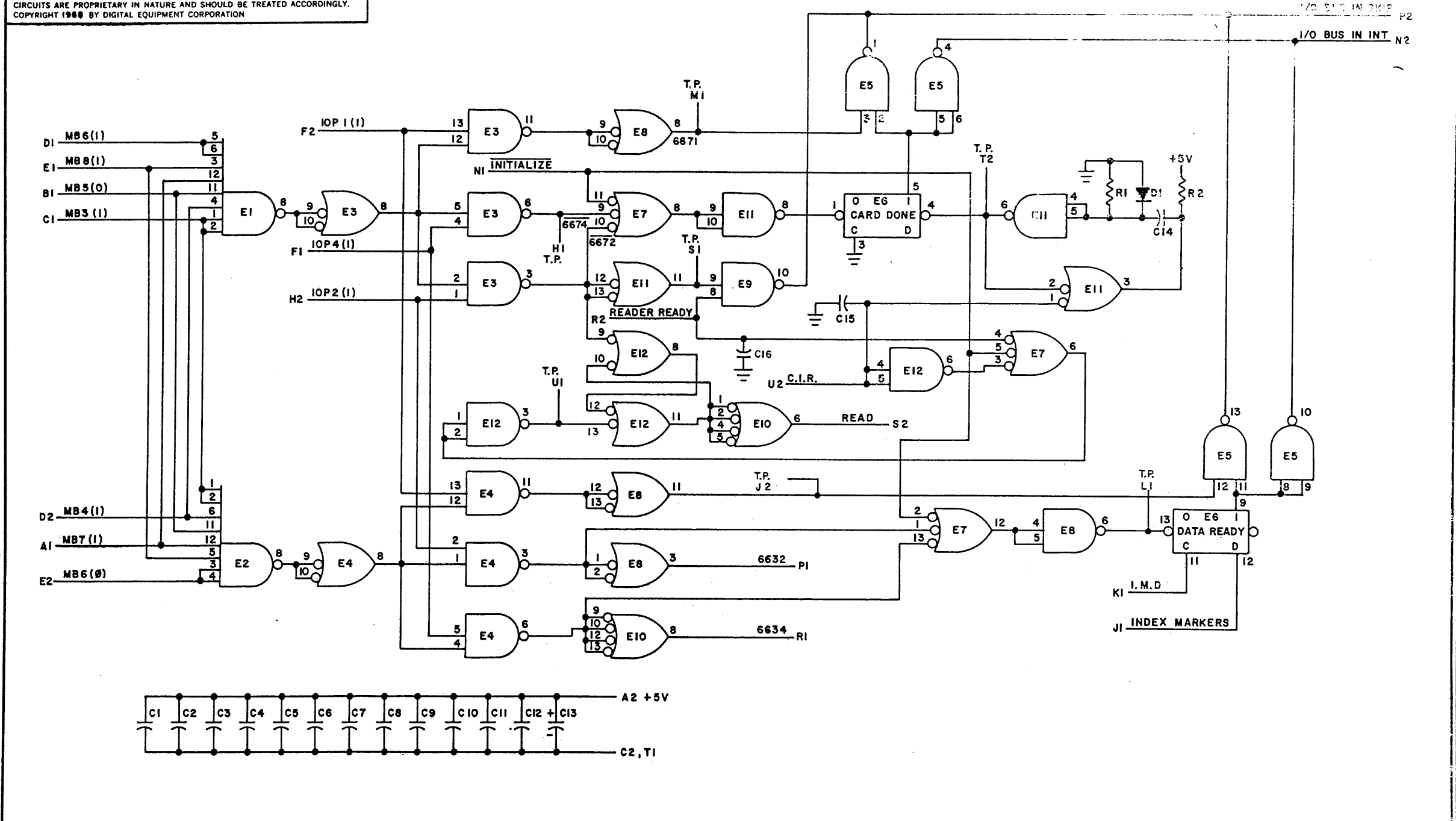


THIS SCHEMATIC IS FURNISHED ONLY FOR TEST AND MAINTENANCE PURPOSES. THE CIRCUITS ARE PROPRIETARY IN NATURE AND SHOULD BE TREATED ACCORDINGLY. COPYRIGHT 1969 BY DIGITAL EQUIPMENT CORPORATION



NOTES:
PIN 7 ON EACH IC = GND
PIN 14 ON EACH IC = +5V

E10	INTEGRATED CKT. DEC7400A	1905578
E7	INTEGRATED CKT. DEC7400	1905578
E6	INTEGRATED CKT. DEC7400	1905578
E5, E9	INTEGRATED CKT. DEC7401N	1905590
E3, E4, E8, E11, E12	INTEGRATED CKT. DEC7400N	1905575
E1, E2	INTEGRATED CKT. DEC7430N	1905578
R2	RES. 470 1/4W 5% CC	1300316
R1	RES. 220 1/4W 5% CC	1300271
D1	DIODE D564	1100114
C14, C15	CAP. .005MFD 50V 20% D.CER.	1001765
C13	CAP. 6.8 MFD 35V 20% S.TANT	1000067
C1 THRU C12, C16	CAP. .01MFD 100V 20% DISC	1001610
PARTS LIST		A-PL-M714-0-0
REFERENCE DESIGNATION	DESCRIPTION	PART NO.

REVISIONS	DRN. <i>M. Valler</i>	DATE <i>1-27-69</i>	TRANSISTOR & DIODE CONVERSION CHART			TITLE
CHK CHG NO. REV. A	CHK'D	DATE	DEC	EIA		CONTROL FOR CR 81 M714
<i>27</i> <i>00001</i> <i>A</i>	ENG. <i>at. l</i>	DATE <i>2/11/69</i>	<i>D564</i>	<i>IN3608</i>	EQUIPMENT CORPORATION	SIZE CODE NUMBER
	PROD.	DATE			MAYNARD, MASSACHUSETTS	C CS M714-0-1
						REV A
						PRINTED CIRCUIT REV. B

REV. A
NUMBER
M714-0-1
CS