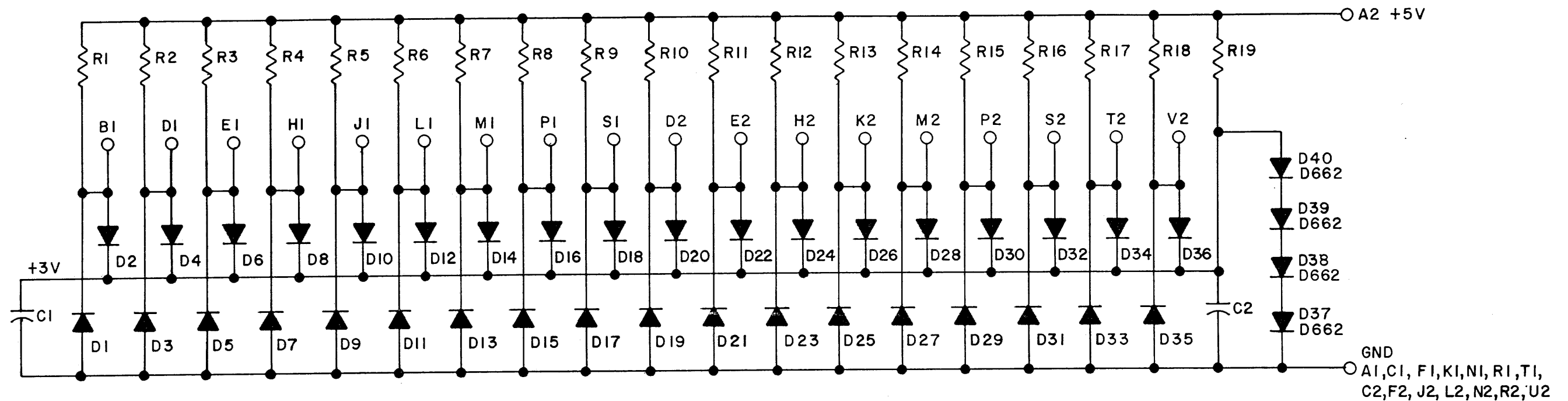


THIS SCHEMATIC IS FURNISHED ONLY FOR TEST AND MAINTENANCE PURPOSES. THE CIRCUITS ARE PROPRIETARY IN NATURE AND SHOULD BE TREATED ACCORDINGLY. COPYRIGHT 1968 BY DIGITAL EQUIPMENT CORPORATION



UNLESS OTHERWISE INDICATED:  
 RESISTORS ARE 220, 1/4 W, 5%  
 DIODES ARE D664  
 CAPACITORS ARE .01 MFD, 100V, 20%

REVISIONS	CHK CHG NO. REV.	DRN. M. HALLER	DATE	TRANSISTOR & DIODE CONVERSION CHART				TITLE CABLE TERMINATOR M906
	REV. & REDR.		DATE	DEC	EIA	DEC	EIA	
	00001 B	CHK'D W. MULLEN	8-2-68	D662	IN645			EQUIPMENT CORPORATION MAYNARD, MASSACHUSETTS
		ENG. D.A. WHITE	8-2-68	D664	IN3606			
		PROD.	DATE					SIZE CODE NUMBER REV. B CS M906-0-1 B
								PRINTED CIRCUIT REV. A B