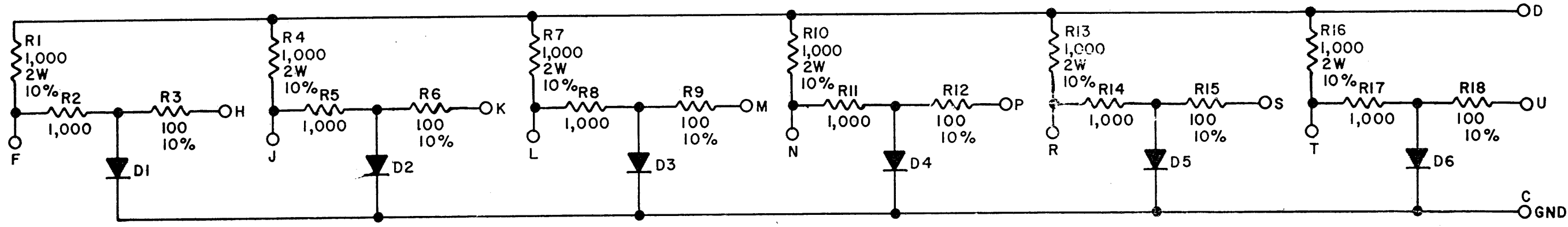


THIS SCHEMATIC IS FURNISHED ONLY FOR TEST AND MAINTENANCE PURPOSES. THE CIRCUITS ARE PROPRIETARY IN NATURE AND SHOULD BE TREATED ACCORDINGLY. COPYRIGHT 1965 BY DIGITAL EQUIPMENT CORPORATION



UNLESS OTHERWISE INDICATED:
RESISTORS ARE 1/4W; 5%
DIODES ARE D664



REVISIONS	CHK CHG NO. REV	DRN.	DATE	TRANSISTOR & DIODE CONVERSION CHART				TITLE
	REV. & REDR.	I. HAHN	10-20-65	DEC	EIA	DEC	EIA	
	5532 A	CHK'D	DATE	D664	IN3606			SIZE CODE NUMBER REV.
		R. SILVERMAN	10-21-65					B CS W701-0-1 A
		ENG.	DATE					PRINTED CIRCUIT REV.
		E. DE CASTRO	10-21-65					A
		PROD.	DATE					