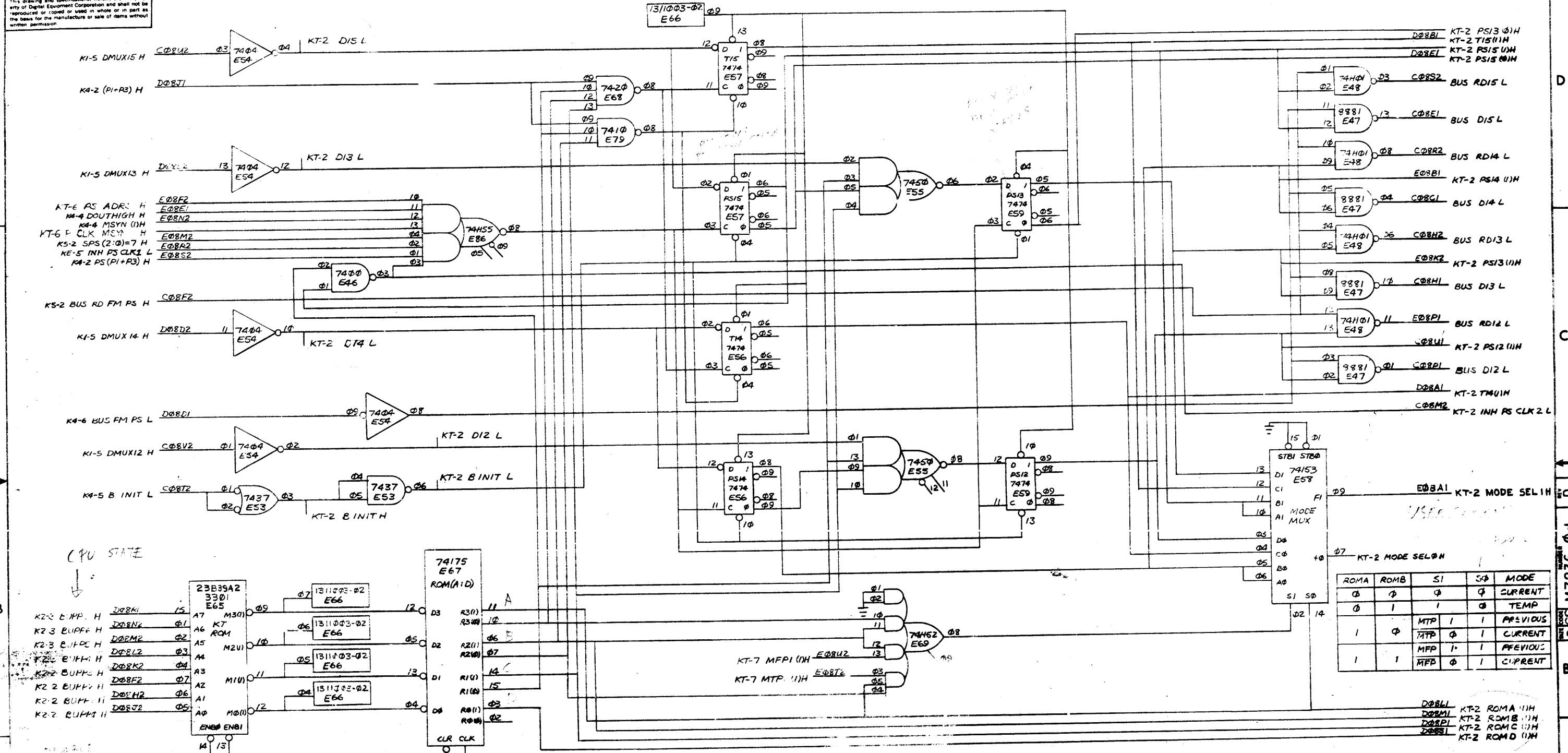
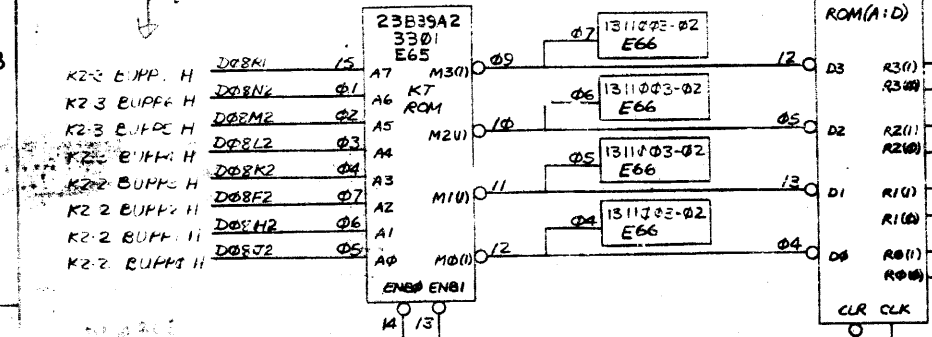


**KT11-D memory
management option
engineering drawings**

This drawing and specifications, herein, are the property of Digital Equipment Corporation and shall not be reproduced or copied or used in whole or in part as the basis for the manufacture or sale of items without written permission.



CPU STATE



REV	CHG	NO

TRUTH TABLE FOR 1311003-02

RA	01	02	03	04	05	06	07	08	09	10	11	12	13	14
RB														

VCC - PIN 16
GND - PIN 08
RA = 330Ω
RB = 680Ω

DEVICE TRUTH TA.

74153

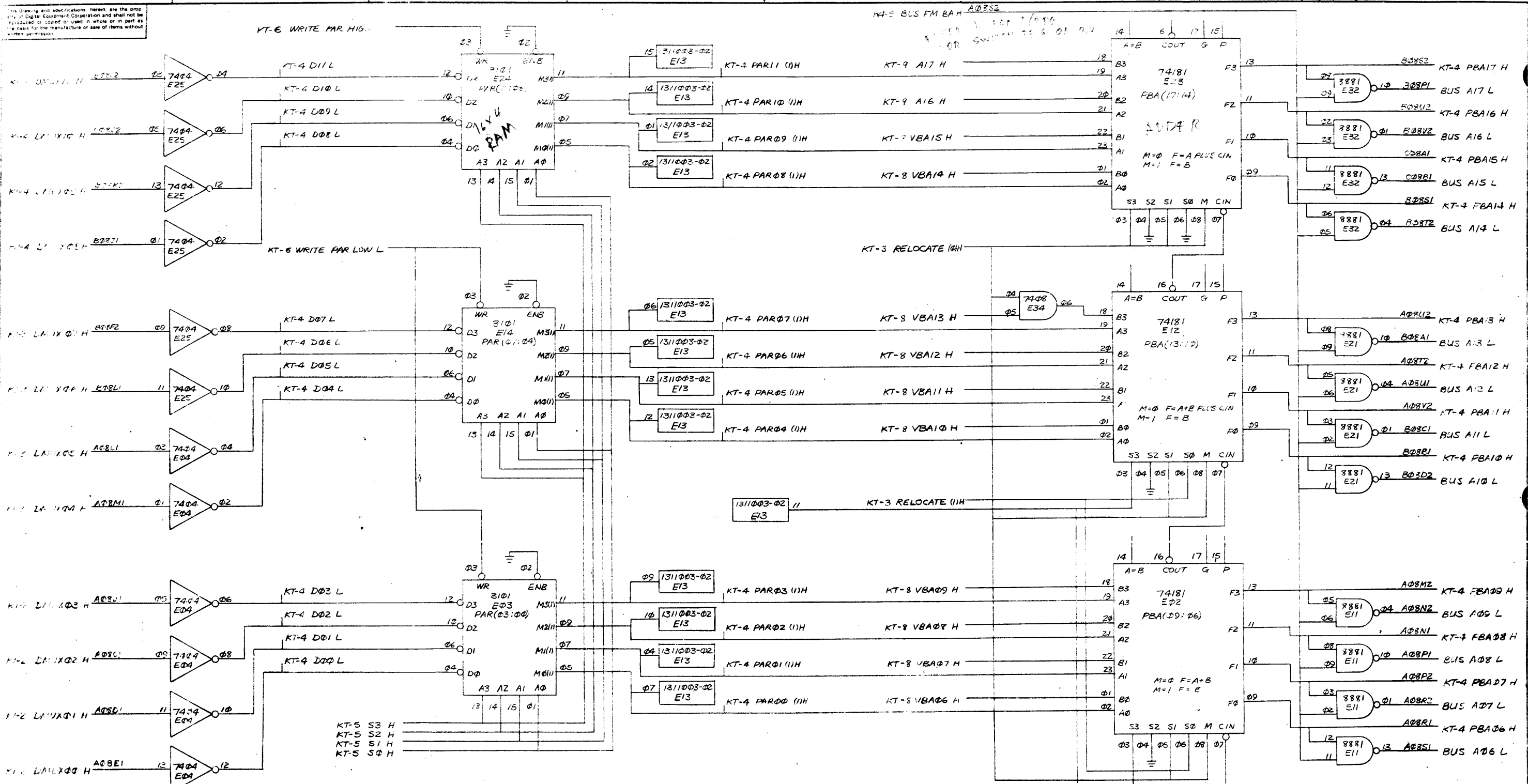
STBN	SI	S0	FN
H	-	-	L
L	L	L	FAN
L	L	H	FBN
L	H	L	FCN
L	H	H	FDN

WHERE N = 0, 1

ROMA	ROMB	SI	S0	MODE
0	0	0	0	CURRENT
0	1	1	0	TEMP
1	0	MTP	1	PREVIOUS
1	0	MTP	0	CURRENT
1	1	MFP	1	PREVIOUS
1	1	MFP	0	CURRENT

FIRST USED ON OPTION/MODEL	QTY.	DESCRIPTION	PART NO.	ITEM NO.
PDP 11				
UNLESS OTHERWISE SPECIFIED DIMENSION IN INCHES. TOLERANCES				
DECIMALS	ANGLES	DATE	PARTS LIST	
.XXX - .005	± 0° 30'	5/17/72	digital EQUIPMENT CORPORATION	
.XX - .02		9/28/72	MEM. MANAGE. (KT PS EXTENSION)	
.X - .1		1/23/72	KT-2	
REMOVE BURRS AND BREAK SHARP CORNERS SURFACE QUALITY				
MATERIAL	NEXT HIGHER ASSY.	SCALE NONE	SIZE CODE	NUMBER
		SHEET 2 OF 13	DCS	M7236-0-1
FINISH		DIST.		REV. D

This drawing and specifications herein are the property of Digital Equipment Corporation and shall not be reproduced or copied or used in whole or in part as the basis for the manufacture or sale of items without written permission.

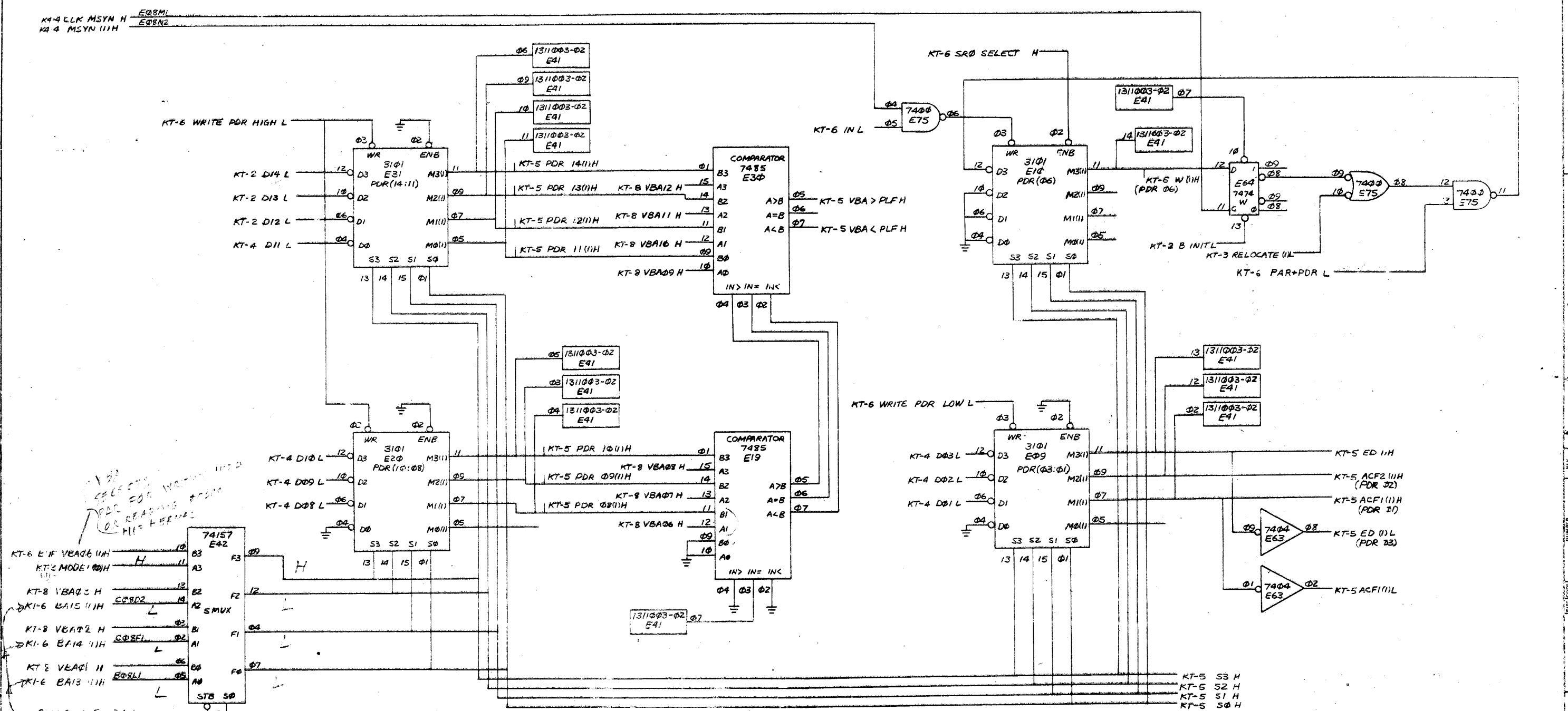


REV
CHANGE NO

FIRST USED ON OPTION/MODEL	QTY.	DESCRIPTION	PART NO.	ITEM NO.
PDP 11		PARTS LIST		
UNLESS OTHERWISE SPECIFIED DIMENSION IN INCHES TOLERANCES	DRN 4/72	DATE	digital EQUIPMENT CORPORATION	
DECIMALS	CHKD 4/27/72	DATE	TITLE	
ANGLES	ENG 7/25/72	DATE	MEM. MANAGE. (PAGE ADDRESS REG) AND PHYSICAL BUS A	
XXX - .005 XX - .02 X - .1	PROJ. ENG 9/23/72	DATE	KT-4	
REMOVE BURRS AND BREAK SHARP CORNERS SURFACE QUALITY	BRD. 4-28-72	DATE	REV D	
MATERIAL	NEXT HIGHER ASSY.	SIZE CODE	NUMBER	
FINISH	SCALE NONE	DCS	M7236-0-1	
	SHEET 4 OF 13	DIST.		

M7236-0-1

This drawing and specifications, names, and the property of Digital Equipment Corporation and shall not be reproduced or copied in whole or in part as the basis for the manufacture or sale of items without written permission.



SELECTS PAR
 KT-6 E/F VBA06 (H)
 KT-6 MODE (H)
 KT-8 VBA03 H
 KT-6 BA15 (H)
 KT-8 VBA02 H
 KT-6 BA14 (H)
 KT-8 VBA01 H
 KT-6 BA13 (H)
 STB S0

DEVICE TRUTH TABLE:

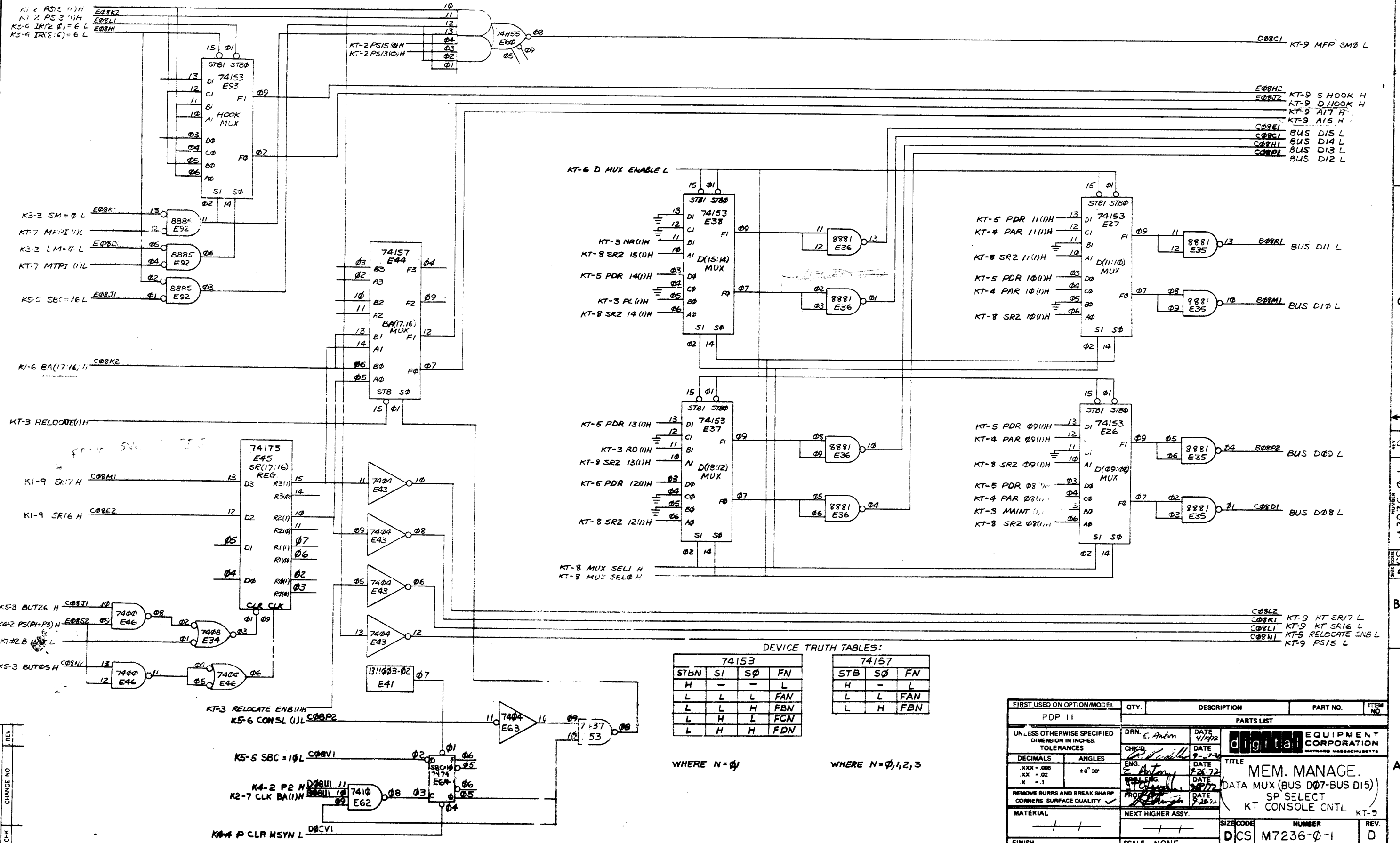
74157		
STB	S0	FN
H	-	L
L	L	FAN
L	H	FBN

WHERE N = 0, 1, 2, 3

FIRST USED ON OPTION/MODEL	QTY.	DESCRIPTION	PART NO.	ITEM NO.
PDP 11				
PARTS LIST				
UNLESS OTHERWISE SPECIFIED DIMENSION IN INCHES.	DRN Ed Anton	DATE 4/72	digital EQUIPMENT CORPORATION MAYNARD MASSACHUSETTS	
TOLERANCES	CHKD. [Signature]	DATE 4/22/72		
DECIMALS	ENG. [Signature]	DATE 4/22/72	TITLE MEM. MANAGE. (PAGE DESCRIPTOR) WORD	
ANGLES	PROJ. ENG. [Signature]	DATE 9/29/72		
.XAR = .000 .XK = .02 .X = .1	REMOVE BURRS AND BREAK SHARP CORNERS SURFACE QUALITY	DATE 9/29/72	MATERIAL NEXT HIGHER ASSY.	
FINISH	SCALE NONE	SHEET 5 OF 13	SIZE CODE DCS	NUMBER M7232-0-1

REV.	NO.	DATE	BY

This drawing and specifications, herein, are the property of Digital Equipment Corporation and shall not be reproduced or copied or used in whole or in part as the basis for the manufacture or sale of items without written permission.



DEVICE TRUTH TABLES:

74153			
STBN	SI	S0	FN
H	-	-	L
L	L	L	FAN
L	L	H	FBN
L	H	L	FCN
L	H	H	FDN

WHERE N = 0, 1, 2, 3

74157		
STB	S0	FN
H	-	L
L	L	FAN
L	H	FBN

WHERE N = 0, 1, 2, 3

FIRST USED ON OPTION/MODEL	QTY.	DESCRIPTION	PART NO.	ITEM NO.
PDP 11				
PARTS LIST				
UNLESS OTHERWISE SPECIFIED DIMENSION IN INCHES. TOLERANCES		DRN. E. Andon	DATE 4/14/72	
DECIMALS	ANGLES	CHKD. [Signature]	DATE 9-7-72	
.XXX = .005	±0° 30'	ENG. [Signature]	DATE 2-26-72	
.XX = .02		PROJ. ENG. [Signature]	DATE 2-26-72	
REMOVE BURRS AND BREAK SHARP CORNERS SURFACE QUALITY		PROJ. [Signature]	DATE 2-26-72	
MATERIAL		NEXT HIGHER ASSY.		
FINISH		SCALE NONE		
SHEET 9 OF 13		DIST.		

TITLE: MEM. MANAGE. DATA MUX (BUS D07-BUS D15) SP SELECT KT CONSOLE CNTL KT-9

SIZE CODE: DCS M7236-0-1

NUMBER: [Blank]

REV: D

REV	CHANGE NO

DEC PART NUMBER 23-B39A2
 ORIGINATOR: ED ANTON
 DATE OF ORIGIN: 11-AUG-72

ROM PATTERN SPEC

This drawing and specifications, herein, are the property of Digital Equipment Corporation and shall not be reproduced or copied or used in whole or in part as the basis for the manufacture or sale of items without written permission.

DECIMAL LOC	OCTAL LOC	BINARY DATA	OCTAL DATA
0	000	1111	07
1	001	1111	07
2	002	1111	07
3	003	1111	07
4	004	1111	07
5	005	1111	07
6	006	1111	07
7	007	1011	03
8	010	1111	07
9	011	1111	07
10	012	1111	07
11	013	1111	07
12	014	1111	07
13	015	1111	07
14	016	1111	07
15	017	1111	07
16	020	1111	07
17	021	1111	07
18	022	1111	07
19	023	1111	07
20	024	1111	07
21	025	1111	07
22	026	1111	07
23	027	1111	07
24	030	1111	07
25	031	1111	07
26	032	1111	07
27	033	1111	07
28	034	1111	07
29	035	1111	07
30	036	1111	07
31	037	1111	07
32	040	1111	07
33	041	1111	07
34	042	1111	07
35	043	1111	07

DEC PART NUMBER 23-B39A2
 ORIGINATOR: ED ANTON
 DATE OF ORIGIN: 11-AUG-72

ROM PATTERN SPEC

REVISIONS		
CHK	CHANGE NO.	REV.

DECIMAL LOC	OCTAL LOC	BINARY DATA	OCTAL DATA
36	044	1111	07
37	045	1111	07
38	046	1111	07
39	047	1111	07
40	050	1111	07
41	051	1111	07
42	052	1111	07
43	053	1111	07
44	054	1111	07
45	055	1111	07
46	056	1111	07
47	057	1111	07
48	060	1111	07
49	061	1111	07
50	062	1111	07
51	063	1111	07
52	064	1111	07
53	065	1111	07
54	066	1111	07
55	067	1111	07
56	070	1111	07
57	071	1111	07
58	072	1111	07
59	073	1111	07
60	074	1111	07
61	075	1111	07
62	076	1111	07
63	077	1011	03
64	100	1111	07
65	101	1111	07
66	102	1111	07
67	103	1111	07
68	124	1111	07
69	125	1111	07
70	126	1111	07
71	127	1111	07

digital EQUIPMENT CORPORATION
 MAYNARD, MASSACHUSETTS

DRN. <i>S. Anton</i>		DATE 9-26-72		TITLE MEMORY MANAGEMENT		
CHK'D. <i>S. Anton</i>		DATE 9-28-72				
ENG. <i>S. Anton</i>		DATE 9-28-72				
PROJ. ENG. <i>S. Anton</i>		DATE 9-28-72				
PROP. <i>S. Anton</i>		DATE 9-28-72		SIZE CODE	NUMBER	REV.
SHEET 10 OF 13		DIST.		C CS	M7236-0-1	D

DEC PART NUMB: 23-B39A2
 ORIGINATOR: ED ANTON
 DATE OF ORIGIN: 11-AUG-72

ROM PATTERN SPEC

This drawing and specifications, herein, are the property of Digital Equipment Corporation and shall not be reproduced or copied or used in whole or in part as the basis for the manufacture or sale of items without written permission.

DECIMAL LOC	OCTAL LOC	BINARY DATA	OCTAL DATA
144	220	1110	16
145	221	1110	16
146	222	1111	17
147	223	1111	17
148	224	1110	16
149	225	1110	16
150	226	1111	17
151	227	1111	17
152	230	1111	17
153	231	1111	17
154	232	1111	17
155	233	1111	17
156	234	1110	16
157	235	1111	17
158	236	1110	16
159	237	1111	17
160	240	1111	17
161	241	1111	17
162	242	0011	03
163	243	1111	17
164	244	1111	17
165	245	1111	17
166	246	0011	03
167	247	1111	17
168	250	1111	17
169	251	1111	17
170	252	1111	17
171	253	1111	17
172	254	1111	17
173	255	1111	17
174	256	1111	17
175	257	1111	17
176	260	1111	17
177	261	1111	17
178	262	1110	16
179	263	1111	17

DEC PART NUMB: 23-B39A2
 ORIGINATOR: ED ANTON
 DATE OF ORIGIN: 11-AUG-72

ROM PATTERN SPEC

REVISIONS		
CHK	CHANGE NO.	REV.

DECIMAL LOC	OCTAL LOC	BINARY DATA	OCTAL DATA
180	264	1111	17
181	265	1110	16
182	266	1111	17
183	267	1111	17
184	270	1111	17
185	271	1111	17
186	272	1111	17
187	273	1111	17
188	274	1111	17
189	275	1110	16
190	276	1110	16
191	277	1111	17
192	300	1111	17
193	301	1111	17
194	302	1111	17
195	303	1111	17
196	304	1111	17
197	305	1111	17
198	306	1111	17
199	307	1111	17
200	310	1111	17
201	311	1111	17
202	312	1111	17
203	313	1111	17
204	314	1111	17
205	315	1111	17
206	316	1111	17
207	317	1111	17
208	320	1111	17
209	321	1111	17
210	322	1111	17
211	323	1111	17
212	324	1111	17
213	325	1111	17
214	326	1011	13
215	327	1011	13

digital EQUIPMENT CORPORATION
 MAYNARD, MASSACHUSETTS

TITLE		MEMORY MANAGEMENT	
DRN: <i>E. Rudolph</i>	DATE: 9-26-72	SIZE CODE	NUMBER
CHK'D: <i>Ed Anton</i>	DATE: 9-28-72	C CS	M7236-0-1
ENG: <i>Ed Anton</i>	DATE: 9-28-72	REV.	D
PROJ. ENG. <i>J. H. ...</i>	DATE: 9-28-72	SHEET 12 OF 13	
PROJ. <i>J. H. ...</i>	DATE: 9-28-72	DIST.	

DEC PART NUMR: 23-B39A2
 ORIGINATOR: ED ANTON
 DATE OF ORIGIN: 11-AUG-72

ROM PATTERN SPEC

This drawing and specifications, herein, are the property of Digital Equipment Corporation and shall not be reproduced or copied or used in whole or in part as the basis for the manufacture or sale of items without written permission.

DECIMAL LOC	OCTAL LOC	BINARY DATA	OCTAL DATA
216	330	1011	13
217	331	1011	13
218	332	1011	13
219	333	1111	17
220	334	1111	17
221	335	1111	17
222	336	1111	17
223	337	1111	17
224	340	1111	17
225	341	1111	17
226	342	1111	17
227	343	1111	17
228	344	1111	17
229	345	1111	17
230	346	1111	17
231	347	1111	17
232	350	1111	17
233	351	1111	17
234	352	1111	17
235	353	1111	17
236	354	1111	17
237	355	1111	17
238	356	1111	17
239	357	1111	17
240	360	1111	17
241	361	1111	17
242	362	1111	17
243	363	1111	17
244	364	1111	17
245	365	1110	16
246	366	1110	16
247	367	1111	17
248	370	1111	17
249	371	1111	17
250	372	1111	17
251	373	1111	17

DEC PART NUMR: 23-B39A2
 ORIGINATOR: ED ANTON
 DATE OF ORIGIN: 11-AUG-72

ROM PATTERN SPEC

REVISIONS		
CHK	CHANGE NO.	REV.

DECIMAL LOC	OCTAL LOC	BINARY DATA	OCTAL DATA
252	374	1110	16
253	375	1111	17
254	376	1111	17
255	377	1111	17

DRN. <i>C. J. ...</i>	DATE 9-26-72
CHK'D <i>E. Anton</i>	DATE 9-26-72
ENG. <i>E. Anton</i>	DATE 9-26-72
PROJ. ENG. <i>H. ...</i>	DATE 9/28/72
PROD. <i>W. ...</i>	DATE 9-28-72
SHEET 13 OF 13	

digital EQUIPMENT CORPORATION <small>MAYNARD, MASSACHUSETTS</small>		
TITLE MEMORY MANAGEMENT		
SIZE CODE C CS	NUMBER 07036-C-1	REV. D
DIST.		

This drawing and specifications herein are the property of Digital Equipment Corporation and shall not be reproduced or copied or used in whole or in part as the basis for the manufacture or sale of items without written permission.

PARTS REFERENCE

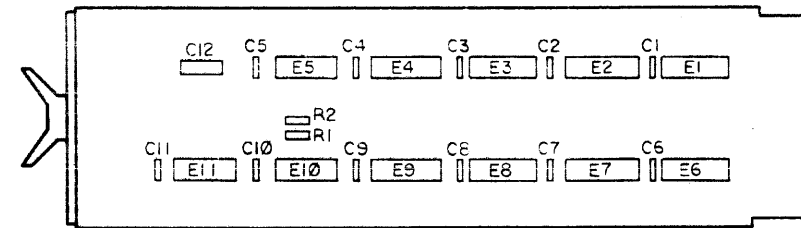
ITEM NO	DRAWING REFERENCE	DESCRIPTION	PART NUMBER	QUANTITY
1		IC	DEC 5384	2
2		IC	DEC 74175	2
3		IC	DEC 5384	2
4		IC	DEC 74175	2
5		IC	DEC 5384	2
6		IC	DEC 74175	2
7		IC	DEC 5384	2
8		IC	DEC 74175	2
9		IC	DEC 5384	2
10		IC	DEC 74175	2
11	TRU C11	MEP 100% 50% CAP	100710	11
12	TRU C12	MEP 100% 20% CAP	00006	12
13	TRU R1	RES	100365	2
14				
15				
16				
17				
18				
19				
20				
21				
22				
23				
24				
25				
26				
27				
28				
29				
30				
31				
32				
33				
34				
35				
36				
37				
38				
39				
40				
41				
42				
43				
44				
45				
46				
47				
48				
49				
50				
51				
52				
53				
54				
55				
56				
57				
58				
59				
60				
61				
62				
63				
64				
65				
66				
67				
68				
69				
70				
71				
72				
73				
74				
75				
76				
77				
78				
79				
80				
81				
82				
83				
84				
85				
86				
87				
88				
89				
90				
91				
92				
93				
94				
95				
96				
97				
98				
99				
100				
REF		STACK LIMIT REGISTER	A-PL-M7237-0-0	

NOTES:

- PIN NOTATION THROUGHOUT IS ORDERED UPON MODULE PLACEMENT IN THE PROCESSOR. MODULE REFERENCE ALONE IS OBTAINED BY DELETING THE NUMBER (SLOT LOCATION) AFTER THE FIRST LETTER, AND CONVERTING THE FIRST LETTER ACCORDING TO THE PIN NOMENCLATURE CHART AT RIGHT.
- ALL SIGNALS THAT HAVE MODULE PINS ARE SO NOTED; MULTIPLE NOTATIONS OF THE SAME SIGNALS WITHIN A MODULE HAVE THE PIN NOTED ON EACH. AN INPUT SIGNAL IS NOTED ONLY ONCE PER SHEET UNLESS SEPERATE PINS ARE USED; MULTIPLE INPUTS ARE CONNECTED. MODULE OUTPUT SIGNALS ARE BROUGHT TO THE EXTREME RIGHT OF EACH SHEET
- KJ11 SIGNAL SOURCE NOTATION (K1-2, FOR EXAMPLE) IDENTIFIES THE SIGNAL SOURCE FROM THE PROCESSOR. FIRST NUMBER AFTER THE K INDICATES THE MODULE PRINT SET, WHILE THE SECOND INDICATES THE SHEET WITHIN THE SET. SIGNALS WITH A "BUS" PREFIX REPRESENT A "WIRED OR" SITUATION, AND MULTIPLE SOURCES FOR THESE SIGNALS CAN EXIST.
- UNLESS OTHERWISE SPECIFIED: RESISTANCE IS IN OHMS
- DETAILS ON COMPONENTS ARE NOTED IN THE PARTS REFERENCE, PLACEMENT IS NOTED IN THE COMPONENT PLACEMENT DIAGRAM. CAPACITORS WITHOUT NOTED VALUES ARE .01 MFD.
- GND AND +5V ARE USUALLY PIN 7 AND PIN 14, RESPECTIVELY. EXCEPTIONS ARE:

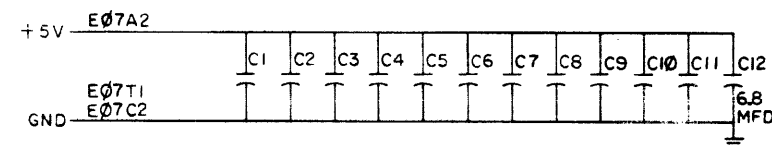
IC TYPE	GND	+5V
DEC 5384	PIN 1	PIN 8
DEC 74175	PIN 8	PIN 16

COMPONENT PLACEMENT



PIN NOMENCLATURE

MODULE	PROCESSOR
A	E07

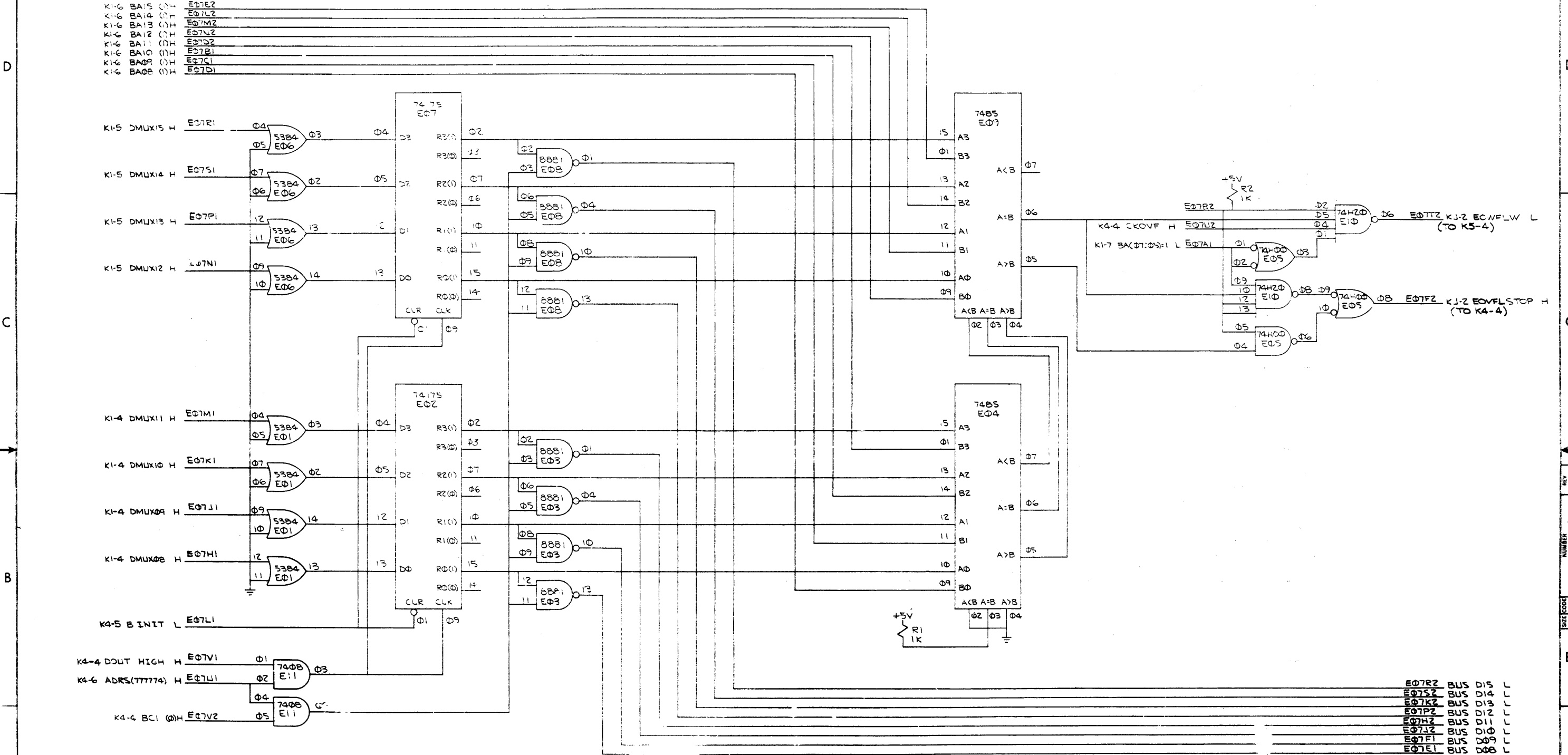


FIRST USED ON OPTION / MODEL PDP 11/25	QTY.	DESCRIPTION	PART NO.	ITEM NO.
EQUIPMENT CORPORATION MIDDLEBOROUGH MASSACHUSETTS				
STACK LIMIT REGISTER				
M7237 KJ-1				
CS M7237-0-1 A				

REV	
CHG	
CHK	
APP	

CS M7237-0-1 A

This drawing and specifications, herein, are the property of Digital Equipment Corporation and shall not be reproduced or used in whole or in part as the basis for the manufacture or sale of items without written permission.



- E07R2 BUS D15 L
- E07S2 BUS D14 L
- E07K2 BUS D13 L
- E07P2 BUS D12 L
- E07H2 BUS D11 L
- E07J2 BUS D10 L
- E07F1 BUS D09 L
- E07E1 BUS D08 L

REV	CHG

FIRST USED ON OPTION/MODEL	QTY.	DESCRIPTION	PART NO.	ITEM NO.
PDP 11/25				
PARTS LIST				
UNLESS OTHERWISE SPECIFIED DIMENSION IN INCHES TOLERANCES	DRAWN W. MAJOR DATE 7/22/71	DATE 2-7-72	DIGITAL EQUIPMENT CORPORATION BOSTON, MASSACHUSETTS	
DECIMALS .XXX = .006 .XX = .02 .X = .1	ANGLES ±0° 30'	DATE 5-23-72	TITLE STACK LIMIT REGISTER	
REMOVE BURRS AND BREAK SHARP CORNERS SURFACE QUALITY ✓	PRODUCTION DATE 5/23/72	DATE 5-23-72	M7237 KJ-2	
MATERIAL + +	NEXT HIGHER ASSY. A-ML-KJ11-A	SCALE + +	SIZE CODE DCS	NUMBER M7237-0-1
FINISH + +	SHEET 2 OF 2	DIST.	REV. A	

DIGITAL EQUIPMENT CORPORATION
MAYNARD, MASSACHUSETTS

SOFTWARE LIST

LEGEND

- D DOCUMENT
- DN DOCUMENT CHANGE NOTICE
- PA PAPER TAPE ASCII
- PB PAPER TAPE BINARY
- PM PAPER TAPE READ-IN-MODE

QUANTITY/VARIATION

MADE BY <i>J. Douglas</i>	CHECKED <i>J. Douglas</i>	SECTION
DATE <i>9/26/72</i>	DATE <i>7/27/72</i>	
ENG <i>J. Douglas</i>	PROD <i>J. Douglas</i>	ISSUED SECT.
DATE <i>7/27/72</i>	DATE <i>9-28-72</i>	

ITEM NO.	DWG NO. / PART NO.	DESCRIPTION	KT11-D	KIT CHECK	BY	DATE	INSTALLATION CHECK	BY	DATE
1	MAINDEC-11-DBKTA-A-D	LOGIC TEST	1						
2	MAINDEC-11-DBKTA-A-PB	LOGIC TEST	1						
3	MAINDEC-11-DBKTB-A-D	KEYS TEST	1						
4	MAINDEC-11-DBKTB-A-PB	KEYS TEST	1						
5	MAINDEC-11-DBKTC-A-D	MOVES TEST	1						
6	MAINDEC-11-DBKTC-A-PB	MOVES TEST	1						
7	MAINDEC-11-DBKTD-A-D	STATES TEST	1						
8	MAINDEC-11-DBKTD-A-PB	STATES TEST	1						
9	MAINDEC-11-DBKTF-A-D	ABORT TEST	1						
10	MAINDEC-11-DBKTF-A-PB	ABORT TEST	1						
11	MAINDEC-11-DBKTG-A-D	KT EXERCISER	1						
12	MAINDEC-11-DBKTG-A-PB	KT EXERCISER	1						
13	MAINDEC-11-DCKBF-A-D	STACK LIMIT TEST	1						
14	MAINDEC-11-DCKBF-A-PB	STACK LIMIT TEST	1						

TITLE MEMORY MANAGEMENT	ASSY. NO. <i>74</i>	SIZE CODE A SL	NUMBER KT11-D-SL	REV.	ECO NO
SHEET 1 OF 1		DIST.			