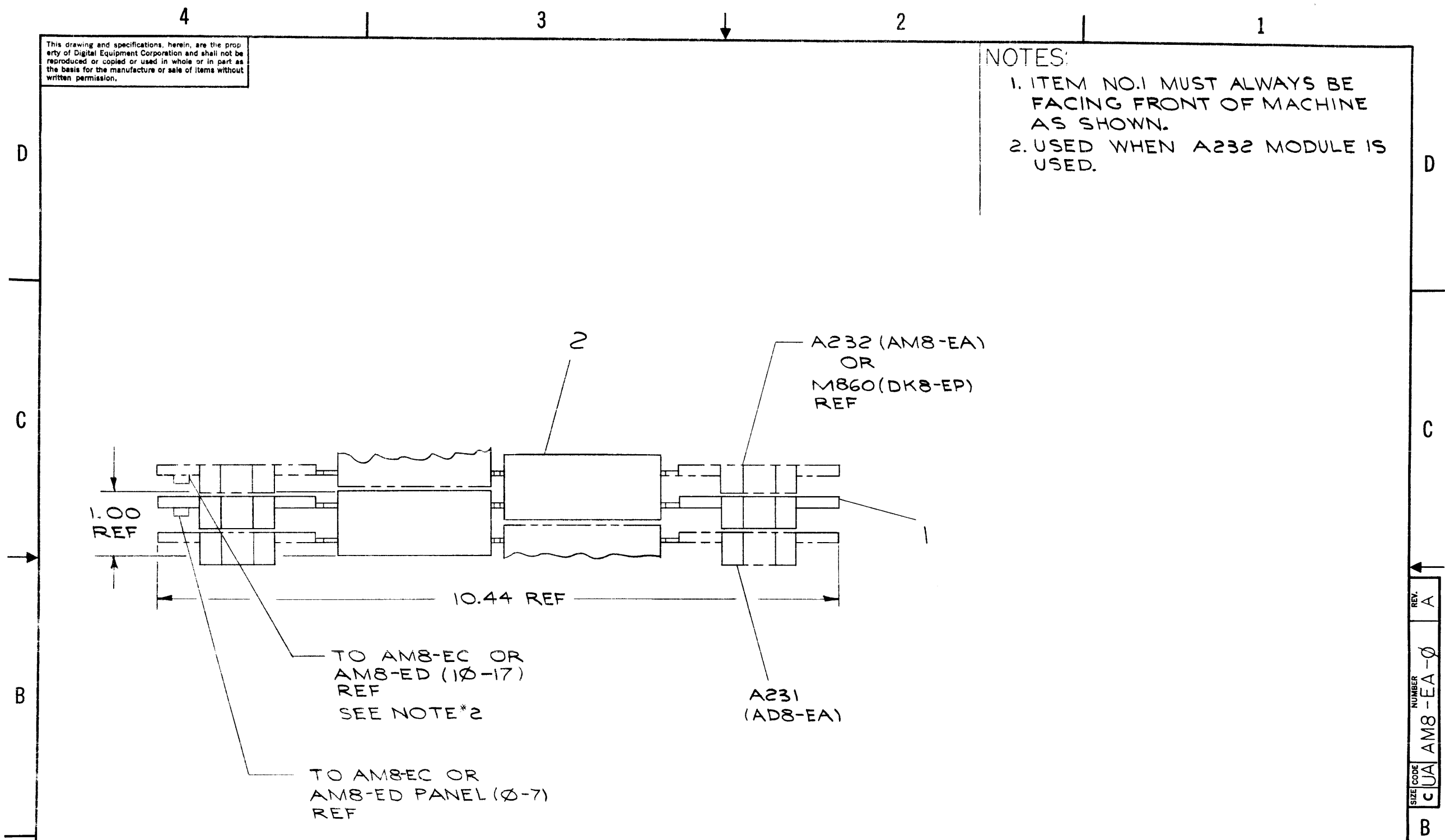


**AM8-EA
analog preamplifier
& multiplexer
engineering drawings**

This drawing and specifications herein are the property of Digital Equipment Corporation and shall not be reproduced or copied or used in whole or in part as the basis for the manufacture or sale of items without written permission.

NOTES:

- ITEM NO.1 MUST ALWAYS BE FACING FRONT OF MACHINE AS SHOWN.
- USED WHEN A232 MODULE IS USED.

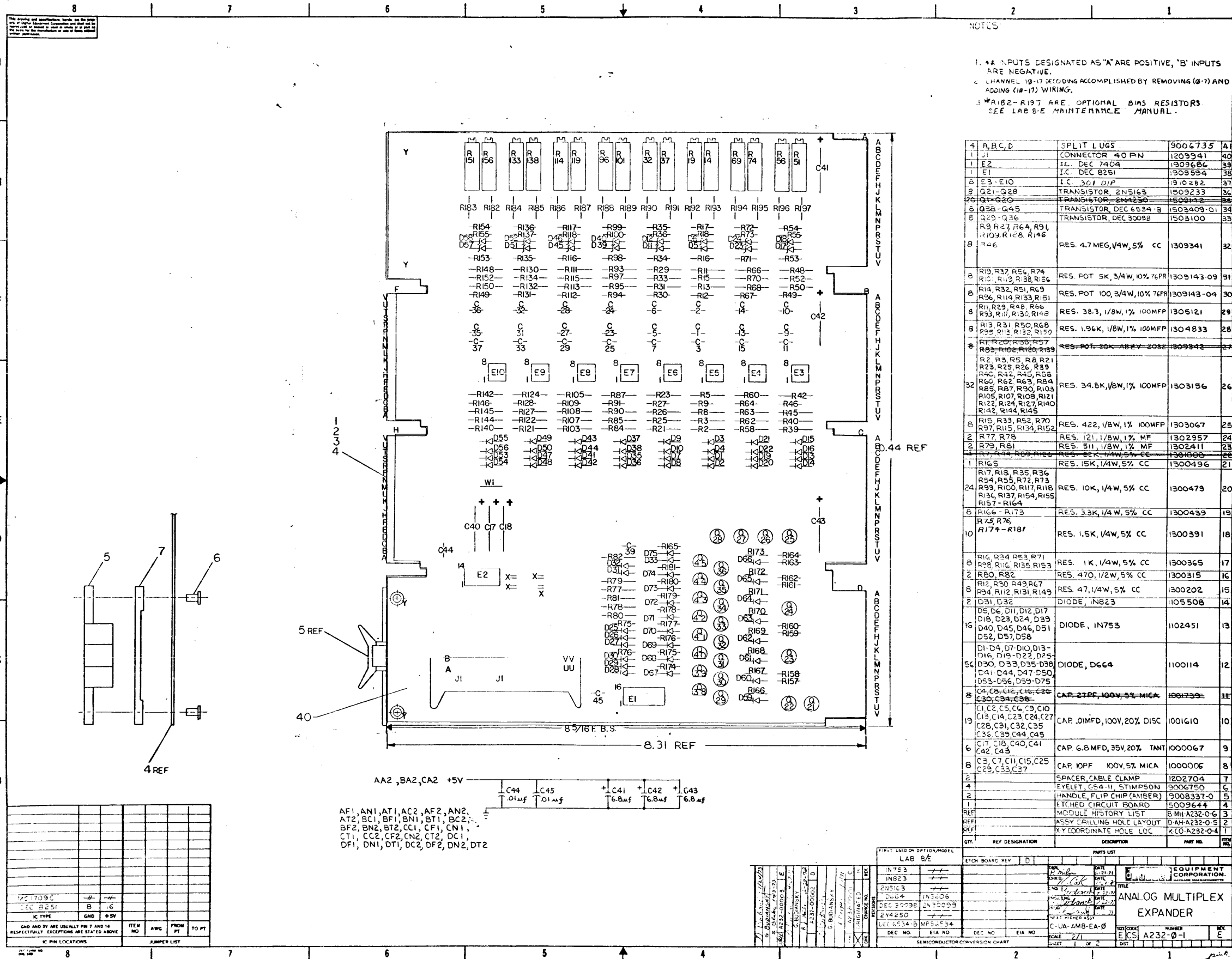


REVISIONS	CHANGE NO.	REV.	DATE
	AM8-Ø-Ø	A	4-28-71
CHK			

DEC FORM NO. DRC 100

FIRST USED ON OPTION MODEL LAB8-E	QTY.	DESCRIPTION	PART NO.	ITEM NO.
UNLESS OTHERWISE SPECIFIED				
UNLESS OTHERWISE SPECIFIED				
DIMENSION IN INCHES				
TOLERANCES				
DECIMALS	FRACTIONS	ANGLES		
± .005	± 1/64	± 0°30'		
FINAL SURFACE QUALITY REMOVE BURRS AND BREAK SHARP CORNERS				
MATERIAL				
FINISH				
NEXT HIGHER ASSY.		PARTS LIST		
A-PL-LAB8-E-Ø		digital EQUIPMENT CORPORATION MAYNARD, MASSACHUSETTS		
SCALE 1/1		TITLE		
SHEET 1 OF 1		8 CHANNEL MULTIPLEXER (AM8-EA)		
		SIZE CODE	NUMBER	REV.
		C UA	AM8-EA-Ø	A
		DIST.		

REV.	A
NUMBER	AM8-EA-Ø
SIZE CODE	C UA



NOTES

1. *A INPUTS DESIGNATED AS 'A' ARE POSITIVE, 'B' INPUTS ARE NEGATIVE.
2. CHANNEL 12-17 WELDING ACCOMPLISHED BY REMOVING (6-7) AND ADDING (18-17) WIRING.
3. *R182-R197 ARE OPTIONAL BIAS RESISTORS SEE LAB B/E MAINTENANCE MANUAL.

QTY	REF DESIGNATION	DESCRIPTION	PART NO.	ITEM
4	A, B, C, D	SPLIT LUGS	9006735	A1
1	J1	CONNECTOR 40 PIN	1209941	40
1	E2	I.C. DEC 7404	190968C	39
1	E1	I.C. DEC 8251	1908594	38
8	E3-E10	I.C. 301 DIP	1908282	37
8	Q21-Q28	TRANSISTOR, 2N5163	1509233	36
8	Q29-Q36	TRANSISTOR, 2N4250	1509142	35
8	Q37-Q45	TRANSISTOR, DEC 6534-B	1503409-C1	34
8	Q46-Q56	TRANSISTOR, DEC 3009B	1503100	33
8	R19-R27, R64, R91, R109, R128, R146, R146	RES. 4.7 MEG, 1/4W, 5% CC	1309341	32
8	R19, R37, R56, R74, R101, R12, R138, R156	RES. POT 5K, 3/4W, 10% 76PR	1309143-09	31
8	R14, R32, R51, R69, R96, R114, R133, R151	RES. POT 100, 3/4W, 10% 76PR	1309143-04	30
8	R11, R29, R48, R66, R93, R111, R130, R148	RES. 38.3, 1/8W, 1% 100MFP	1305121	29
8	R13, R31, R50, R68, R95, R113, R132, R150	RES. 1.96K, 1/8W, 1% 100MFP	1304833	28
8	R12, R20, R30, R57, R84, R102, R120, R139	RES. POT 20K AB 2V 2032	1309942	27
32	R2, R3, R5, R8, R21, R23, R25, R26, R39, R40, R42, R45, R58, R60, R62, R63, R84, R85, R87, R90, R103, R105, R107, R108, R121, R122, R124, R127, R140, R142, R144, R145	RES. 39.8K, 1/8W, 1% 100MFP	1303156	26
8	R15, R33, R52, R70, R97, R115, R134, R152	RES. 422, 1/8W, 1% 100MFP	1303067	25
2	R77, R78	RES. 121, 1/8W, 1% MF	1302957	24
2	R79, R81	RES. 511, 1/8W, 1% MF	1302411	23
2	R82, R83, R85	RES. 2K, 1/4W, 5% CC	1301868	22
1	R165	RES. 15K, 1/4W, 5% CC	1300436	21
24	R17, R18, R35, R36, R54, R55, R72, R73, R99, R100, R117, R118, R136, R137, R154, R155, R157-R164	RES. 10K, 1/4W, 5% CC	1300479	20
8	R166-R173	RES. 3.3K, 1/4W, 5% CC	1300439	19
10	R175, R76, R174-R181	RES. 1.5K, 1/4W, 5% CC	1300391	18
8	R16, R34, R53, R71, R98, R12, R135, R153	RES. 1K, 1/4W, 5% CC	1300365	17
2	R80, R82	RES. 470, 1/2W, 5% CC	1300315	16
8	R12, R30, R49, R67, R94, R112, R131, R149	RES. 47, 1/4W, 5% CC	1300202	15
2	D31, D32	DIODE, 1N823	1105508	14
16	D5, D6, D11, D12, D17, D18, D23, D24, D39, D40, D45, D46, D51, D52, D57, D58	DIODE, 1N753	1102451	13
56	D1-D4, D7, D10, D13-D16, D19, D22, D25, D30, D33, D35-D38, D41, D44, D47, D50, D53-D56, D59-D75	DIODE, D664	1100114	12
8	C4, C8, C12, C16, C26, C30, C34, C38	CAP. 27PF, 100V, 5% MICA	1001739	11
19	C1, C2, C5, C6, C9, C10, C13, C14, C23, C24, C27, C28, C31, C32, C35, C36, C39, C44, C45	CAP. .01MFD, 100V, 20% DISC	1001610	10
6	C17, C18, C40, C41, C42, C43	CAP. 6.8 MFD, 35V, 20% TANT	1000067	9
8	C3, C7, C11, C15, C25, C29, C33, C37	CAP. 10PF 100V, 5% MICA	1000006	8
2		SPACER, CABLE CLAMP	1202704	7
4		EYELET, C54-II, STIMPSON	9006750	6
2		HANDLE, FLIP CHIP (AMBER)	9008337-0	5
1		ETCHED CIRCUIT BOARD	5009644	4
REF		MODULE HISTORY LIST	B MH-A232-0-6	3
REF		ASSY DRILLING HOLE LAYOUT	D AH-A232-0-5	2
REF		XY COORDINATE HOLE LOC	K CO-A232-0-4	1

IC TYPE	GND	9-5V	ITEM NO	AWG	FROM PT	TO PT
74109C						
DEC 8251	B	16				

AA2, BA2, CA2 +5V

C44	C45	C41	C42	C43
01uf	01uf	6.8uf	6.8uf	6.8uf

AF1, AN1, AT1, AC2, AF2, AN2, AT2, BC1, BF1, BN1, BT1, BC2, BF2, BN2, BT2, CC1, CF1, CN1, CT1, CC2, CF2, CN2, CT2, DC1, DF1, DN1, DT1, DC2, DF2, DN2, DT2

REV	DATE	DESCRIPTION
1	12/21/71	INITIAL
2	1/1/72	REVISED
3	2/1/72	REVISED
4	3/1/72	REVISED
5	4/1/72	REVISED
6	5/1/72	REVISED
7	6/1/72	REVISED
8	7/1/72	REVISED
9	8/1/72	REVISED
10	9/1/72	REVISED
11	10/1/72	REVISED
12	11/1/72	REVISED
13	12/1/72	REVISED
14	1/1/73	REVISED
15	2/1/73	REVISED
16	3/1/73	REVISED
17	4/1/73	REVISED
18	5/1/73	REVISED
19	6/1/73	REVISED
20	7/1/73	REVISED
21	8/1/73	REVISED
22	9/1/73	REVISED
23	10/1/73	REVISED
24	11/1/73	REVISED
25	12/1/73	REVISED
26	1/1/74	REVISED
27	2/1/74	REVISED
28	3/1/74	REVISED
29	4/1/74	REVISED
30	5/1/74	REVISED
31	6/1/74	REVISED
32	7/1/74	REVISED
33	8/1/74	REVISED
34	9/1/74	REVISED
35	10/1/74	REVISED
36	11/1/74	REVISED
37	12/1/74	REVISED
38	1/1/75	REVISED
39	2/1/75	REVISED
40	3/1/75	REVISED
41	4/1/75	REVISED
42	5/1/75	REVISED
43	6/1/75	REVISED
44	7/1/75	REVISED
45	8/1/75	REVISED
46	9/1/75	REVISED
47	10/1/75	REVISED
48	11/1/75	REVISED
49	12/1/75	REVISED
50	1/1/76	REVISED
51	2/1/76	REVISED
52	3/1/76	REVISED
53	4/1/76	REVISED
54	5/1/76	REVISED
55	6/1/76	REVISED
56	7/1/76	REVISED
57	8/1/76	REVISED
58	9/1/76	REVISED
59	10/1/76	REVISED
60	11/1/76	REVISED
61	12/1/76	REVISED
62	1/1/77	REVISED
63	2/1/77	REVISED
64	3/1/77	REVISED
65	4/1/77	REVISED
66	5/1/77	REVISED
67	6/1/77	REVISED
68	7/1/77	REVISED
69	8/1/77	REVISED
70	9/1/77	REVISED
71	10/1/77	REVISED
72	11/1/77	REVISED
73	12/1/77	REVISED
74	1/1/78	REVISED
75	2/1/78	REVISED
76	3/1/78	REVISED
77	4/1/78	REVISED
78	5/1/78	REVISED
79	6/1/78	REVISED
80	7/1/78	REVISED
81	8/1/78	REVISED
82	9/1/78	REVISED
83	10/1/78	REVISED
84	11/1/78	REVISED
85	12/1/78	REVISED
86	1/1/79	REVISED
87	2/1/79	REVISED
88	3/1/79	REVISED
89	4/1/79	REVISED
90	5/1/79	REVISED
91	6/1/79	REVISED
92	7/1/79	REVISED
93	8/1/79	REVISED
94	9/1/79	REVISED
95	10/1/79	REVISED
96	11/1/79	REVISED
97	12/1/79	REVISED
98	1/1/80	REVISED
99	2/1/80	REVISED
100	3/1/80	REVISED
101	4/1/80	REVISED
102	5/1/80	REVISED
103	6/1/80	REVISED
104	7/1/80	REVISED
105	8/1/80	REVISED
106	9/1/80	REVISED
107	10/1/80	REVISED
108	11/1/80	REVISED
109	12/1/80	REVISED
110	1/1/81	REVISED
111	2/1/81	REVISED
112	3/1/81	REVISED
113	4/1/81	REVISED
114	5/1/81	REVISED
115	6/1/81	REVISED
116	7/1/81	REVISED
117	8/1/81	REVISED
118	9/1/81	REVISED
119	10/1/81	REVISED
120	11/1/81	REVISED
121	12/1/81	REVISED
122	1/1/82	REVISED
123	2/1/82	REVISED
124	3/1/82	REVISED
125	4/1/82	REVISED
126	5/1/82	REVISED
127	6/1/82	REVISED
128	7/1/82	REVISED
129	8/1/82	REVISED
130	9/1/82	REVISED
131	10/1/82	REVISED
132	11/1/82	REVISED
133	12/1/82	REVISED
134	1/1/83	REVISED
135	2/1/83	REVISED
136	3/1/83	REVISED
137	4/1/83	REVISED
138	5/1/83	REVISED
139	6/1/83	REVISED
140	7/1/83	REVISED
141	8/1/83	REVISED
142	9/1/83	REVISED
143	10/1/83	REVISED
144	11/1/83	REVISED
145	12/1/83	REVISED
146	1/1/84	REVISED
147	2/1/84	REVISED
148	3/1/84	REVISED
149	4/1/84	REVISED
150	5/1/84	REVISED
151	6/1/84	REVISED
152	7/1/84	REVISED
153	8/1/84	REVISED
154	9/1/84	REVISED
155	10/1/84	REVISED
156	11/1/84	REVISED
157	12/1/84	REVISED
158	1/1/85	REVISED
159	2/1/85	REVISED
160	3/1/85	REVISED
161	4/1/85	REVISED
162	5/1/85	REVISED
163	6/1/85	REVISED
164	7/1/85	REVISED
165	8/1/85	REVISED
166	9/1/85	REVISED
167	10/1/85	REVISED
168	11/1/85	REVISED
169	12/1/85	REVISED
170	1/1/86	REVISED
171	2/1/86	REVISED
172	3/1/86	REVISED
173	4/1/86	REVISED
174	5/1/86	REVISED
175	6/1/86	REVISED
176	7/1/86	REVISED
177	8/1/86	REVISED
178	9/1/86	REVISED
179	10/1/86	REVISED
180	11/1/86	REVISED
181	12/1/86	REVISED
182	1/1/87	REVISED
183	2/1/87	REVISED
184	3/1/87	REVISED
185	4/1/87	REVISED
186	5/1/87	REVISED
187	6/1/87	REVISED
188	7/1/87	REVISED
189	8/1/87	REVISED
190	9/1/87	REVISED
191	10/1/87	REVISED
192	11/1/87	REVISED
193	12/1/87	REVISED
194	1/1/88	REVISED
195	2/1/88	REVISED
196	3/1/88	REVISED
197	4/1/88	REVISED

