

AUTOMATED BY PRTLST.3L(40)

PARTS LIST

SHEET 01 OF 01

LINE	ITEM	DOCUMENT NUMBER	PART NUMBER	DESCRIPTION	QUANTITY PER VARIATION		
					AA	AB	AC
1	1		M8186-00	KDF11-A DUAL HEIGHT CPU, Q-BUS PD	1	1	1
2	2		2115542-01	F1--11 MMV W/FLOAT PT RE	1	1	1
3	3		5700001-00	HYBRID ASSY FLOATING POINT	1	1	1
4	4		9905622-00	BOX, FOLDING	1	1	1

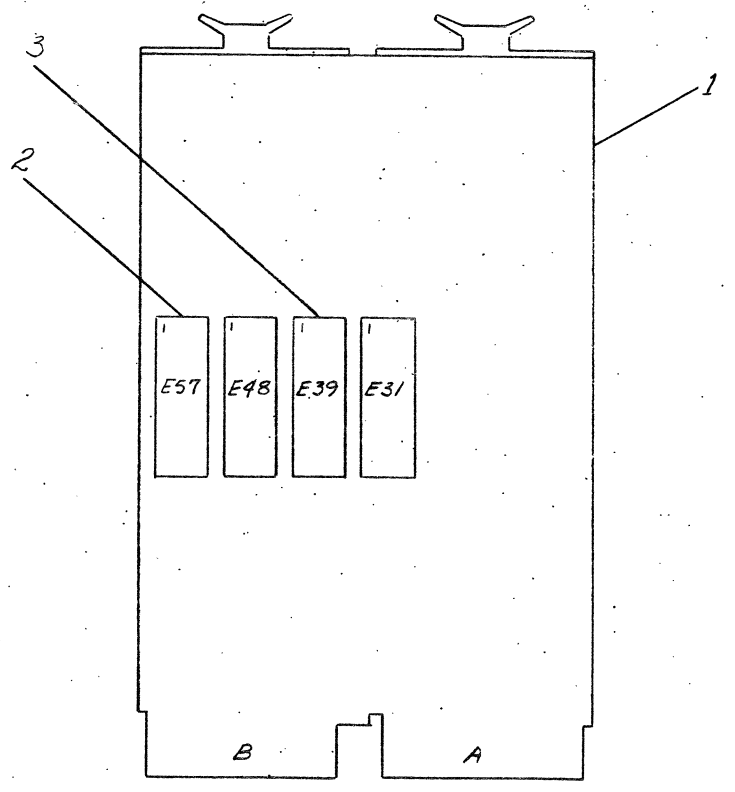
REVISION HISTORY		BASIC PART NO: KDF11		DRN: P. BLODGETT	DATE: 21-JAN-80	D I G I T A L	
ENG	ECO NUMBER	REV	SECTION A OF A	CHK'D: W.J. MAHER	DATE: 21-JAN-80	TITLE PARTS LIST	
MT	KDF11A-MLOO1	B	SECTION VARIATION INDEX	DES. ENG.: R. BADEAU	DATE: 21-JAN-80	DUAL HEIGHT CPU	
			[A] AA, AB, AC	RESP. ENG.: R. BADEAU	DATE: 21-JAN-80	DOCUMENT NUMBER	
			[B]	MFG. ENG.: A. HOFFMAN	DATE: 21-JAN-80	K	PL KDF11-A-DBP
			[C]	ASSEMBLY NUMBER: B-DD-KDF11-A-0	TOP DOCUMENT NUMBER:	FILE NAME: 204738.PLS	3
			[D]				3
			[E]				3
			[F]				3

"THIS DRAWING AND SPECIFICATIONS HEREIN, ARE THE PROPERTY OF DIGITAL EQUIPMENT CORPORATION AND SHALL NOT BE REPRODUCED OR COPIED OR USED IN WHOLE OR IN PART AS THE BASIS FOR THE MANUFACTURE OR SALE OF ITEMS WITHOUT WRITTEN PERMISSION. COPYRIGHT (C) 1981. DIGITAL EQUIPMENT CORPORATION"

THIS DRAWING AND SPECIFICATIONS, HEREIN, ARE THE PROPERTY OF DIGITAL EQUIPMENT CORPORATION AND SHALL NOT BE REPRODUCED OR COPIED OR USED IN WHOLE OR IN PART AS THE BASIS FOR THE MANUFACTURE OR SALE OF ITEMS WITHOUT WRITTEN PERMISSION.
 COPYRIGHT © 1980 DIGITAL EQUIPMENT CORPORATION

LEGEND	
NUMBER	DESCRIPTION
KDFII-AA	M8186 + KTFII-AA
KDFII-AB	M8186 + KTFII-AA + KEFII-AA
KDFII-AC	M8186

NOTES:
 1. FOR PROPER OPERATION OF FLOATING POINT (ITEM #3), THE M8186 MODULE (ITEM #1) MUST BE AT HARDWARE REVISION A6 OR C2 OR LATER.
 2. WHEN INSTALLING ITEMS #2 OR #3 ON ITEM #1 MAKE SURE THAT PIN 1 IS LOCATED AS SHOWN.



COMPONENT SIDE VIEW

FOR PARTS LIST SEE: K-PL-KDFII-A-DBP

SIZE CODE
 CUA
 NUMBER
 KDFII-A-0
 REV.
 B

C

B

A

D

C

REV. B

CUA

NUMBER

KDFII-A-0

REV.

B

A

DATE	ECO NUMBER	REV.
11 Feb 80	KDFIIA-MLO01	B
11 Feb 80		
11 Feb 80		
11 Feb 80		

M. TEHRANIAN
 11 Feb 80

DRC 100D

DESCRIPTION	DRAWING NO.	PART NO.	ITEM NO.
UNLESS OTHERWISE SPECIFIED DIMENSIONS ARE IN INCHES AND THE FOLLOWING TOLERANCES APPLY (PER DEC STD 114)			
INCHES TOLERANCES	ANGLES ± 0° 30'	APPLICABLE DIMENSION RANGE (CHECK ONE)	
		OVER 0 TO 0.2	OVER 0.2 TO 1.2
SURFACE QUALITY	MICROINCHES	± .02	± .03
		± .04	± .05
QUANTITY & VARIATION	X = ± .1	XX = ± .02	XXX = ± .005
THIRD ANGLE PROJECTION		DATE 2/7/80	TITLE digital
DO NOT SCALE DRAWING		DATE 2/7/80	KDFII-A CPU UNIT ASSEMBLY
REMOVE BURRS AND BREAK SHARP CORNERS		DATE 11 Feb 80	DOCUMENT NUMBER
MATERIAL		DATE 11 Feb 80	CUA KDFII-A-0
FINISH		DATE 11 Feb 80	REV. B
NEXT HIGHER DOC. B-DD-M8186-0		SCALE	SHEET 1 OF 1

4

3

2

1

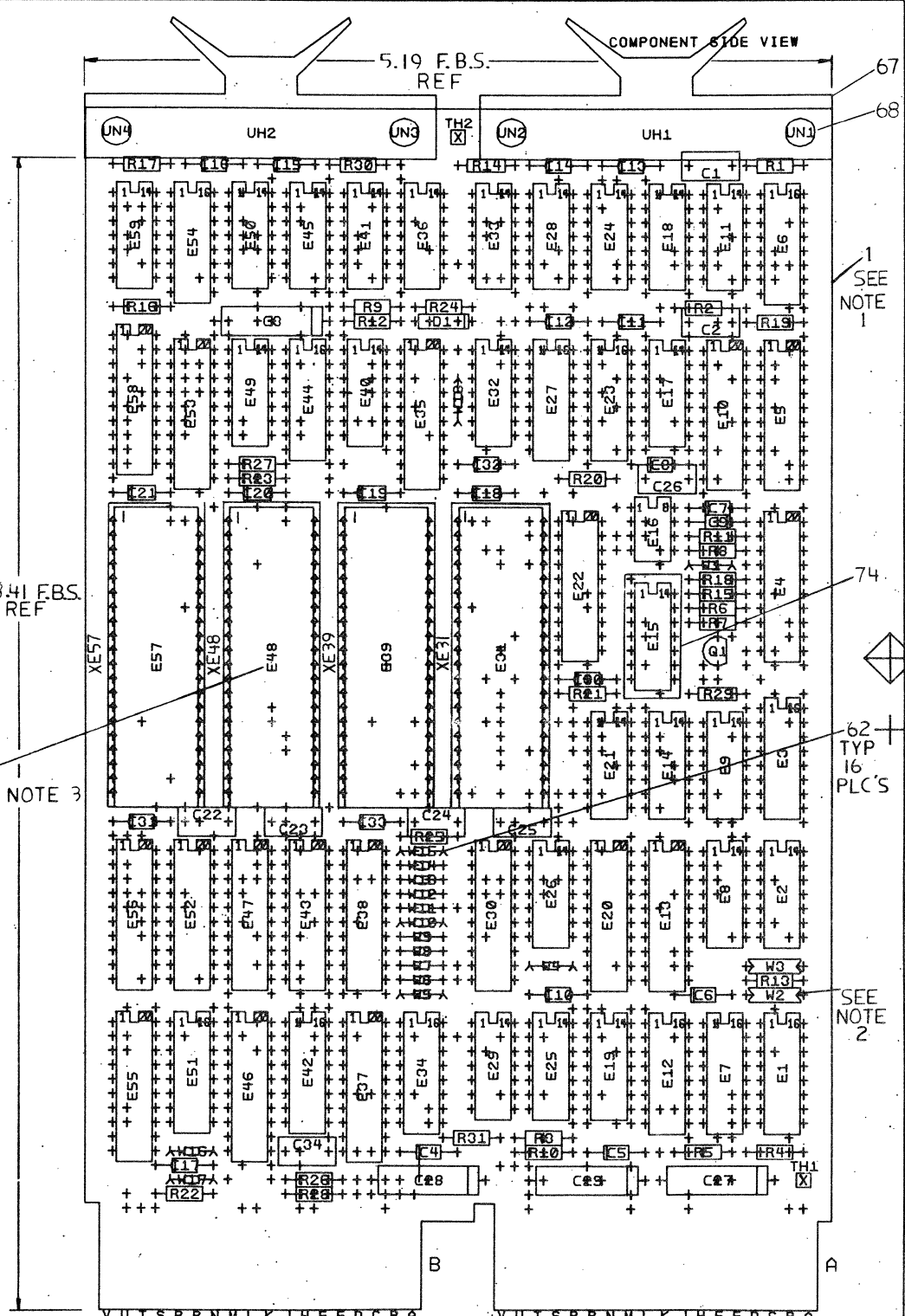
THIS DRAWING AND SPECIFICATIONS, UNLESS OTHERWISE NOTED, ARE THE PROPERTY OF DIGITAL EQUIPMENT CORPORATION AND SHALL NOT BE REPRODUCED OR COPIED IN WHOLE OR IN PART OR THE BASIS FOR THE MANUFACTURE OR SALE OF ITEMS WITHOUT WRITTEN PERMISSION.
 COPYRIGHT © 1971 DIGITAL EQUIPMENT CORPORATION

JUMPER CONFIGURATIONS					
JUMPER	NAME	FUNCTIONALITY			SHIPPING STATUS
W1	MASTER CLOCK	IN=ENABLED			IN
W2	RESERVED FOR DEC USE	FACTORY CONFIGURED, DO NOT CHANGE			OUT
W3	RESERVED FOR DEC USE	FACTORY CONFIGURED, DO NOT CHANGE			IN
W4	EVENT LINE ENABLE	OUT=ENABLED			IN
W5,W6	POWER UP MODE	MODE	NAME	W5	W6
		0	PC@24, PS@26	OUT	OUT
		1	CONSOLE ODT	IN	OUT
		2	BOOTSTRAP	OUT	IN
		3	EXTENDED MICROCODE	IN	IN
W7	HALT/TRAP OPTION	IN=TRAP TO I0 ₈ ON HALT OUT=ENTER CONSOLE ODT ON HALT			OUT
W8	BOOTSTRAP ADDRESS	IN=POWER UP TO 173000 ₈ OUT=POWER UP TO ADDRESS SPECIFIED BY W9-W15			IN
W9-W15	USER SELECTABLE BOOTSTRAP ADDRESS	W9-W15 CORRESPOND TO ADDRESS BITS 9 THRU 15 RESPECTIVELY IN=LOGIC 1, OUT=LOGIC 0			IN
W16,W17	RESERVED FOR DEC USE	FACTORY CONFIGURED, DO NOT CHANGE			IN
W18	WAKE-UP CIRCUIT	OUT=ENABLED			IN

NOTES: 1. REFER TO PARTS LIST FOR ALL NUMBERED ITEMS.
 2. W2 IS A SPARE JUMPER.
 3. E39, E48 & E57 ARE SPARE IC'S.

STEP 1 → Y AXIS — STEP — TIMES
 REPEAT → X AXIS — STEP — TIMES

CHANGE NO	REV	
REDRAWN	H	
M8186-ML00		



ETCH REV. D-P4

SIGNATURES		DATE	digital
DRN. <i>Don Mangano</i>		24 Feb 81	
CHK'D. <i>Don App</i>		20 MAR 81	TITLE KDFII-A CPU
MECH. ENG. <i>Don App</i>		20 MAR 81	
PROJ. ENG. <i>Don App</i>		20 MAR 81	
PROD. <i>Don App</i>		20 MAR 81	
SCALE 2:1	SHT. 1 OF 1	SIZE CODE	NUMBER
		D UA	M8186-0-0
NEXT HIGHER ASSY. B-DD-M8186-0			REV H

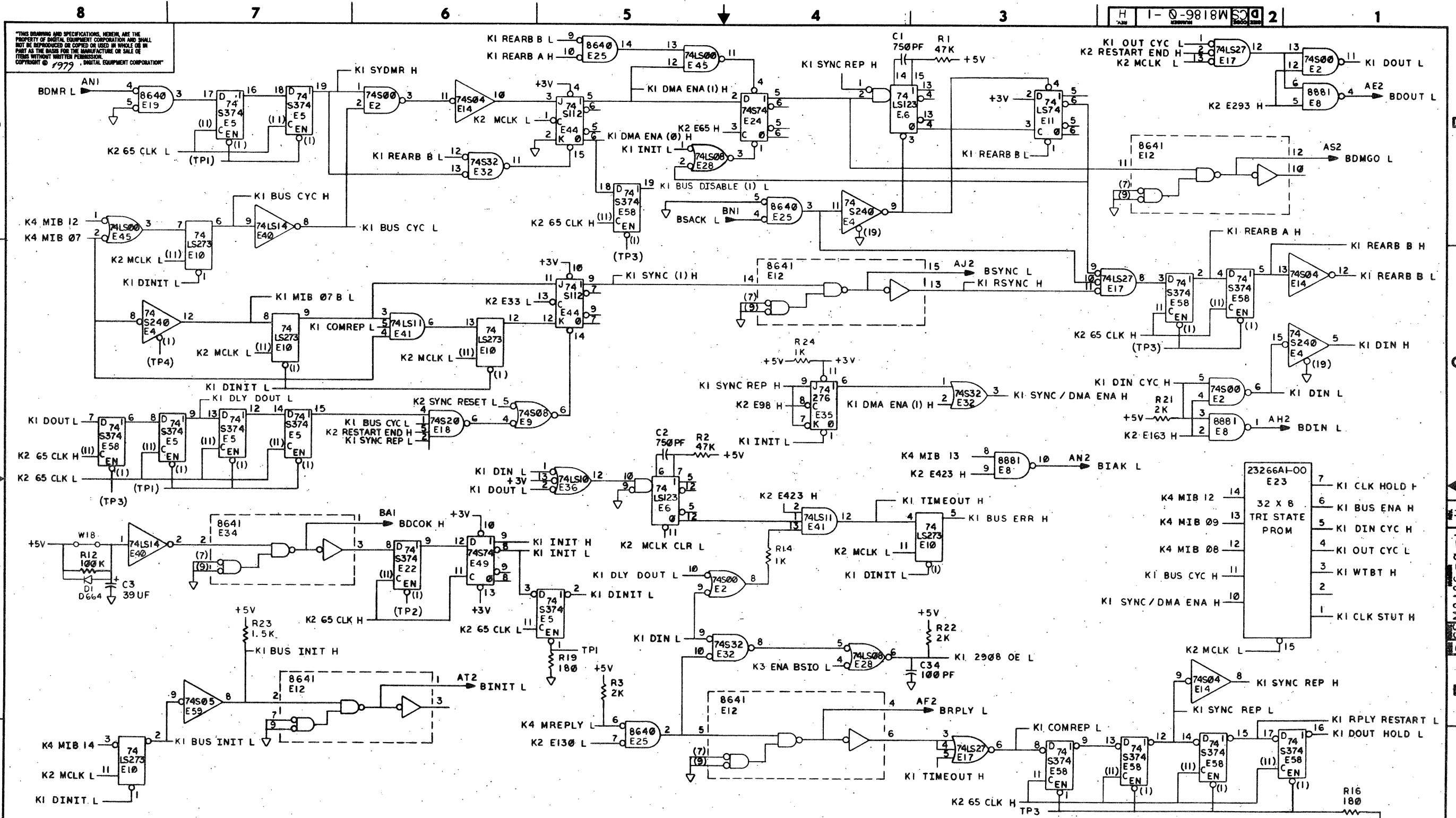
LINE	ITEM	DOCUMENT NUMBER	PART NUMBER	DESCRIPTION	QTY PER VARIATION	REFERENCE DESIGNATOR
					00	
1	1	D-MD-5013326-0-0	5013326-00	KDF11-CPU	1	
2	2		1912799-00	LS00 NAND-GATE-QUAD 2IN,P	1	E45
3	3		1910532-00	74500 NAND GATE-QUAD 2IN	1	E2
4	4		1912388-00	74502 NOR GATE-QUAD 2IN,PO	1	E33
5	5		1910534-00	74504 INVERTER GATE-HEX 1I	1	E14
6	6		1910535-00	74505 INVERTER GATE-HEX 1	1	E59
7	7		1912805-00	LS08 AND GATE-QUAD 2IN,PO	1	E28
8	8		1912389-00	74508 AND GATE-QUAD 2IN,PO	1	E9
9	9		1912807-00	LS10 NAND GATE-TRIPLE 3IN	1	E36
10	10		1912808-00	LS11 AND GATE-TRIPLE 3IN	1	E41
11	11		1913414-00	LS14 INVERTER GATE-HEX SC	1	E40
12	12		1910539-00	74520 NAND GATE-DUAL 4INPU	1	E18
13	13		1912813-00	LS27 NOR GATE-TRIPLE 3IN	1	E17
14	14		1913340-00	74532 OR GATE-QUAD 2IN	1	E32
15	15		1910542-00	74564 A-0-I GATE 4-2-3-2	2	E21, E50
16	16		1912824-00	LS74 FF-D DUAL, EDGE TRIGG	2	E11, E29
17	17		1910544-00	74574 FF-D DUAL, EDGE TRIGG	2	E24, E49
18	18		1912649-00	LS75 LATCH 4BIT, BISTABLE	1	E27
19	19		1910545-00	745112 FF-JK DUAL, EDGE TRIG	1	E44
20	20		1912837-00	LS123 ONE SHOT-DUAL, RETRIG	1	E6
21	21		1912842-00	LS138 DECODER-THREE INPUT,	1	E54
22	22		1910550-00	745174 FF-D HEX	1	E3
23	23		1910957-00	745175 FF-D QUAD COMMON CLO	1	E1
24	24		1913777-00	LS240 DRIVER, LINE, OCTAL, T	2	E20, E30
25	25		1913462-00	745240 OCTAL BUFFER, INVERTI	2	E4, E46
26	26		1913493-00	745241 OCTAL BUFFER, TRI-STA	1	E13
27	27		1915193-00	LS244 DRIVER, LINE, OCTAL, T	1	E53
28	28		1912863-00	LS273 FF-D OCTAL W/CLEAR	1	E10
29	29		1915367-00	74276 FF-JK QUAD	1	E35
30	30		1913671-00	745374 FF-D OCTAL TRISTATE	4	E5, E22, E38, E58

REVISION HISTORY		BASIC PART NO: M8186		DRN: VIN PARECHANIAN DATE: 18-JUN-79		D I G I T A L	
ENG	ECO NUMBER	REV	SECTION A OF A	CHK'D: T. SHETRAWSKI	DATE: 4-SEP-79	TITLE PARTS LIST	
---	INITIAL	D	SECTION VARIATION INDEX			KDF11 CPU	
RB	M8186-ML006	E	[A] 00				
MT	M8186-ML007	F	[B]				
MT	M8186-ML008	H	[C]	DES. ENG: ROY BADEAU DATE: 4-SEP-79			
MT	M8186-ML009	J	[D]				
			[E]			DOCUMENT NUMBER	
			[F]	RESP. ENG.: ROY BADEAU DATE: 4-SEP-79			
			[H]			SIZE CODE NUMBER REV	
			[J]				
			[K]	MFG. ENG.: AMALEND SANYAL DATE: 4-SEP-79		K PL M8186-0-DBP J	
			[L]				
			[M]	ASSEMBLY NUMBER: D-UA-M8186-0-0		TOP DOCUMENT NUMBER: FILE NAME: EDIT #	
			[N]			20224J.PLS 21	

"THIS DRAWING AND SPECIFICATIONS HEREIN, ARE THE PROPERTY OF DIGITAL EQUIPMENT CORPORATION AND SHALL NOT BE REPRODUCED OR COPIED OR USED IN WHOLE OR IN PART AS THE BASIS FOR THE MANUFACTURE OR SALE OF ITEMS WITHOUT WRITTEN PERMISSION. COPYRIGHT (C) 1981. DIGITAL EQUIPMENT CORPORATION"

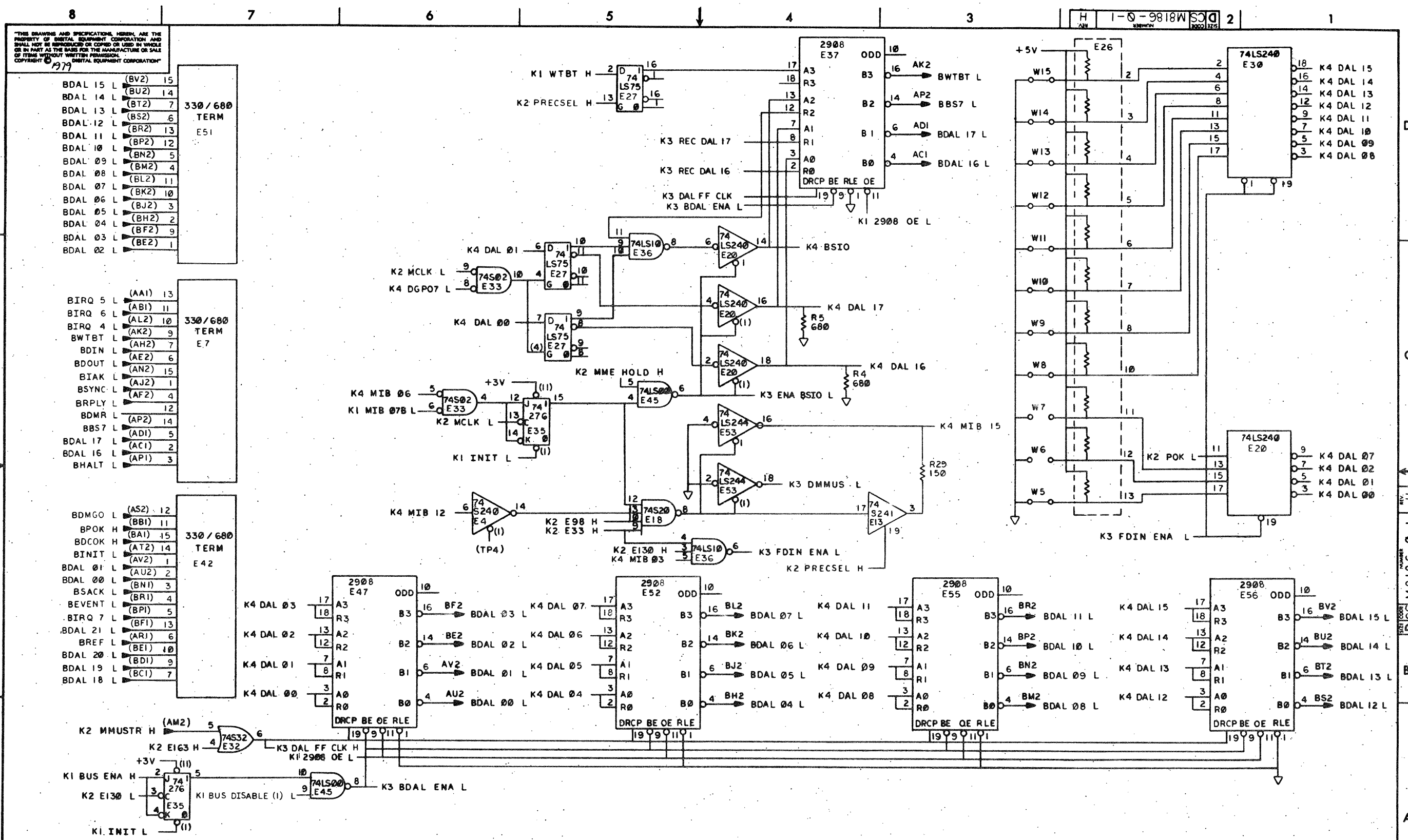
LINE	ITEM	DOCUMENT NUMBER	PART NUMBER	DESCRIPTION	QTY	PER VARIATION	REFERENCE DESIGNATOR
					00		
31	31		1911469-00	DEC 8640 RECEIVER, BUS, QUAD, U	2		E19, E25
32	32		1911579-00	8641 TRANSCEIVER, BUS, QUA	2		E12, E34
33	33		1909705-00	DEC 8881 NAND GATE-QUAD 2IN 0	1		E8
34	34		1916028-01	9643 DRIVER, TTL TO MOS, D	1		E16
35	35		1915305-00	AM 2908 TRANSCEIVER, BUS, LATCH	6		E37, E43, E47, E52, E55, E56
36	36		1812131-00	OSCILLATOR, XTAL 13.824 MHZ	1		E15
37	37		23266A1-00	A1-07	1		E23
38	38		1311003-02	R NETWORK 14-330 14-680 16PIN	3		E7, E42, E51
39	39		1300005-02	R NETWORK 13-6.8K 5.0% 14PIN	1		E26
40	40		1301317-00	10.0 .25 W 5.0% CC	1		R20
41	41		1300250-00	150.0 .25 W 5.0% CC	1		R29
42	42		1301322-00	180.0 .25 W 5.0% CC	4		R15, R16, R18, R19
43	43		1301972-00	270.0 .25 W 5.0% CC	1		R17
44	44		1303178-00	620.0 .25 W 5.0% CC	1		R6
45	45		1301424-00	680.0 .25 W 5.0% CC	6		R4, R5, R25-R28
46	46		1300365-00	1.0 K .25 W 5.0% CC	4		R14, R24, R30, R31
47	47		1300391-00	1.50 K .25 W 5.0% CC	2		R10, R23
48	48		1302388-00	2.0 K .25 W 5.0% CC	4		R3, R13, R21, R22
49	49		1300417-00	2.20 K .25 W 5.0% CC	1		R7
50	50		1312930-00	5.10 K .25 W 5.0% CC	1		R11
51	51		1302177-00	47.0 K .25 W 5.0% CC	2		R1, R2
52	52		1302466-00	100.0 K .25 W 5.0% CC	1		R12
53	53		1000016-00	100.0 MMF 100V 5%200PPM MICA	1		C34
54	54		1013398-00	750.0 MMF 100V 5%200PPM MICA	2		C1, C2
55	55		1001610-00	.01 MFD 50V +80-20% 25U CER	4		C18, C19, C20, C21
56	56		1012784-00	.047 MFD 50V +80-20% CER	18		C4-C17, C30-C33
57	57		1010274-00	.22 MFD 50V +80-20% 25U CER	5		C22-C26
58	58		1005306-00	6.8MFD 35V 10% S.TANT	1		C29
59	59		1004812-00	15 MFD 20V 10% S.TANT	2		C27, C28
60	60		1000076-00	39 MFD 10V 10% S.TANT	1		C3
61	61		1216116-00	SOCKET 40PIN	4		XE31, XE39, XE48, XE57
62	62		1215899-00	CLIP, JUMPER GOLD/TIN	15		W1, W4-W17
63	63		1215901-00	CONN 36POS STRAIGHT	1		
64	64		1503100-00	DEC3009B NPN 200MW SI 20 25	1		Q1
65	65		2115542-01	*** THIS ITEM IS NOT USED ***	-		
66	66		5700000-01	DAT/CTL HYBRID ASSY W/FP DCF11-A	1		E31
67	67		9008337-06	HANDLE, FLIP CHIP, MAGENTA	2		
68	68		9006732-00	EYELET, ROLL FLANGE .1210DX .219	4		
69	69		9009185-00	JUMPER, WIRE, INSULATED, BLACK B	1		W3
70	70		1301808-00	22.0 K .25 W 5.0% CC	1		R8
71	71		1300496-00	15.0 K .25 W 5.0% CC	1		R9
72	72		1100114-00	D 664 QS\75PCB PIV= 25V SP	1		D1
73	73		9105740-22	WIRE(WRAP)30AWG UL1423	A/R		W18
74	74		9010213-01	SPACER, 14 PIN BLK/NYL .060THK.	1		

D	I	G	I	T	A	L	TITLE	KDF11 CPU	SECTION A OF A	SIZE	CODE	DOCUMENT NUMBER	REV
										K	PL	M8186-0-DBP	J



REV.	CHG.	NO.	BY	DATE
D				
	REVISED & REDRAWN			
	M8186-ML004			
	M8186-ML006			
	M8186-ML007			
	M8186-ML008			
	M8186-ML009			
	M8186-ML010			
	M8186-ML011			
	M8186-ML012			
	M8186-ML013			
	M8186-ML014			
	M8186-ML015			
	M8186-ML016			
	M8186-ML017			
	M8186-ML018			
	M8186-ML019			
	M8186-ML020			
	M8186-ML021			
	M8186-ML022			
	M8186-ML023			
	M8186-ML024			
	M8186-ML025			
	M8186-ML026			
	M8186-ML027			
	M8186-ML028			
	M8186-ML029			
	M8186-ML030			
	M8186-ML031			
	M8186-ML032			
	M8186-ML033			
	M8186-ML034			
	M8186-ML035			
	M8186-ML036			
	M8186-ML037			
	M8186-ML038			
	M8186-ML039			
	M8186-ML040			
	M8186-ML041			
	M8186-ML042			
	M8186-ML043			
	M8186-ML044			
	M8186-ML045			
	M8186-ML046			
	M8186-ML047			
	M8186-ML048			
	M8186-ML049			
	M8186-ML050			

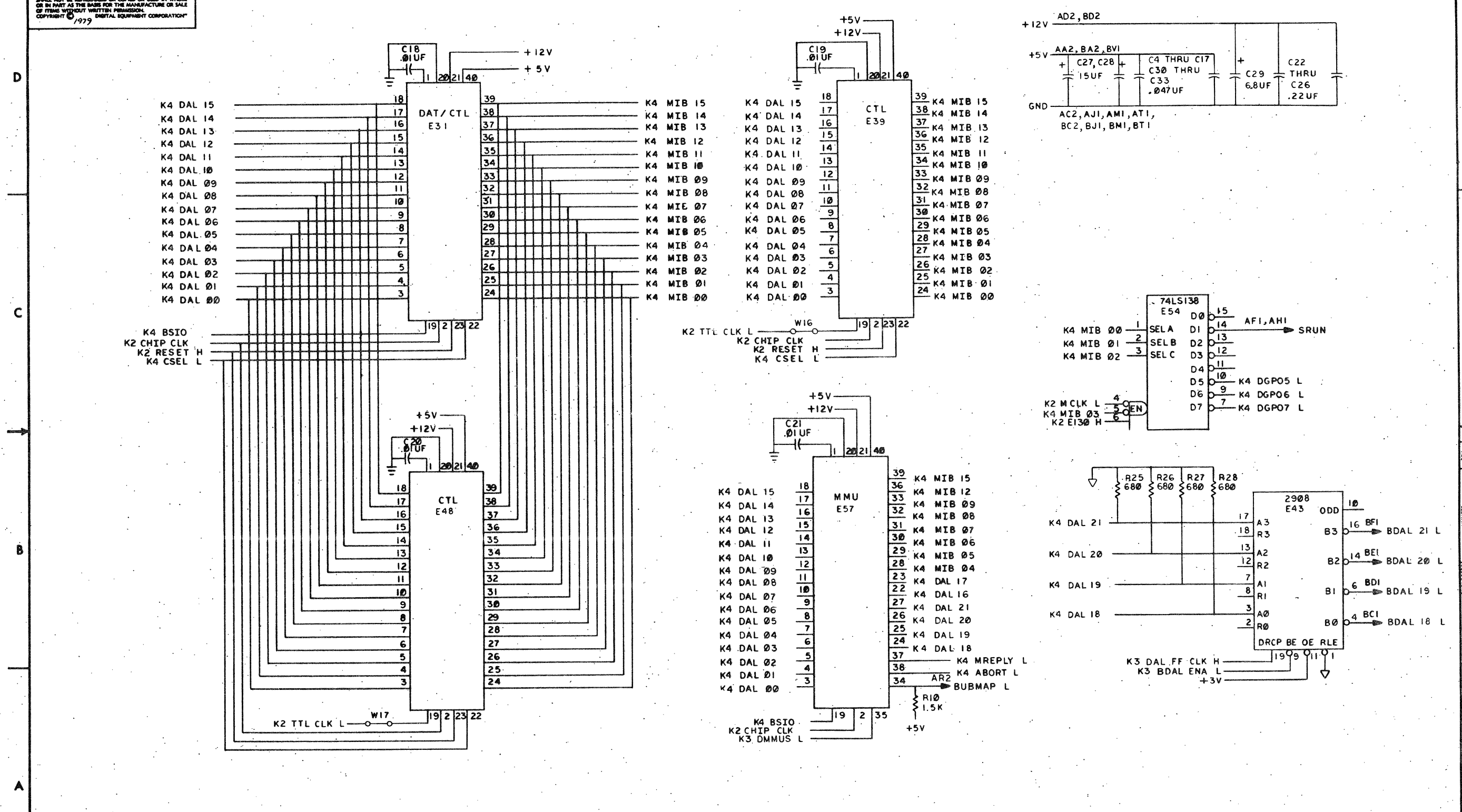
CHK'D	REVISED	DATE	FIRST USED ON
ENG.	PROJ.	PROD.	TITLE
			KDFII-A CPU
NEXT HIGHER ASSY.			(KI)
B-DD-M8186-0	SIZE CODE	NUMBER	REV.
SCALE	D CS	M8186-0-1	H
SHEET 1	OF 4	DIST.	



REVISIONS

CHK	CHANGE NO.	REV.

THIS DRAWING AND SPECIFICATIONS HEREIN ARE THE PROPERTY OF DIGITAL EQUIPMENT CORPORATION AND SHALL NOT BE REPRODUCED OR COPIED OR USED IN WHOLE OR IN PART AS THE BASIS FOR THE MANUFACTURE OR SALE OF ITEMS WITHOUT WRITTEN PERMISSION. COPYRIGHT © 1979 DIGITAL EQUIPMENT CORPORATION



REVISIONS		
CHK	CHANGE NO.	REV.

LINE ITEM	DOCUMENT NUMBER	PART NUMBER	DESCRIPTION	QUANTITY PER VARIATION
				AA
1	1	5700001-00	*** THIS ITEM IS NOT USED ***	-
2	2	9905812-00	BOX, PAPER SETUP W/FOAM	1
3	3	5700001-01	HYBRID ASSY, FLOATING POINT	1

REVISION HISTORY		BASIC PART NO: KEF11		DRN: W.J. MAHER		DATE: 22-FEB-80		D I G I T A L	
ENG	ECO NUMBER	REV	SECTION A OF A	CHK'D:	B. HASHIZUME	DATE:	22-FEB-80	TITLE	PARTS LIST
SS	KEF11-A-ML001	B	SECTION. VARIATION INDEX	CHK'D:	B. HASHIZUME	DATE:	22-FEB-80	FLOATING POINT KEF11	
			[A] AA						
			[B]	DES.ENG.:	B. HASHIZUME	DATE:	22-FEB-80		
			[C]						DOCUMENT NUMBER
			[D]	RESP.ENG.:	B. HASHIZUME	DATE:	22-FEB-80	SIZE	CODE
			[E]					NUMBER	REV
			[F]	MFG.ENG.:	W. LAPRADE	DATE:	22-FEB-80	K	PL
				ASSEMBLY NUMBER:		TOP DOCUMENT NUMBER:		FILE NAME:	EDIT #
				#B-DD-KEF11-A				Z1249B.PLS	3

"THIS DRAWING AND SPECIFICATIONS HEREIN, ARE THE PROPERTY OF DIGITAL EQUIPMENT CORPORATION AND SHALL NOT BE REPRODUCED OR COPIED OR USED IN WHOLE OR IN PART AS THE BASIS FOR THE MANUFACTURE OR SALE OF ITEMS WITHOUT WRITTEN PERMISSION. COPYRIGHT (C) 1981. DIGITAL EQUIPMENT CORPORATION "

DRAWING NO.	NO. OF SHTS.	PART NO.	DESCRIPTION	REVISIONS	
				A	B
		5700001-00	HYBRID ASSY, FLOATING POINT	A	A
C-UA-5700001-0-0	1		HYBRID ASSY, FLOATING POINT (UA)	A	B
K-PL-5700001-0-DBP	1		HYBRID ASSY, FLOATING POINT (PL)	A	B
D-CS-5700001-0-1	1		HYBRID ASSY, FLOATING POINT (CS)	A	A
	1	5700001-01	HYBRID ASSY, FLOATING POINT		A

NOTES:

DATE	CHG NO.	REV.	INITIAL	
			A	B
7 MAY 81			ML	001

"THIS DRAWING AND SPECIFICATIONS, HEREIN, ARE THE PROPERTY OF DIGITAL EQUIPMENT CORPORATION AND SHALL NOT BE REPRODUCED OR COPIED OR USED IN WHOLE OR IN PART AS THE BASIS FOR THE MANUFACTURE OR SALE OF ITEMS WITHOUT WRITTEN PERMISSION.
 COPYRIGHT © 1980 DIGITAL EQUIPMENT CORPORATION



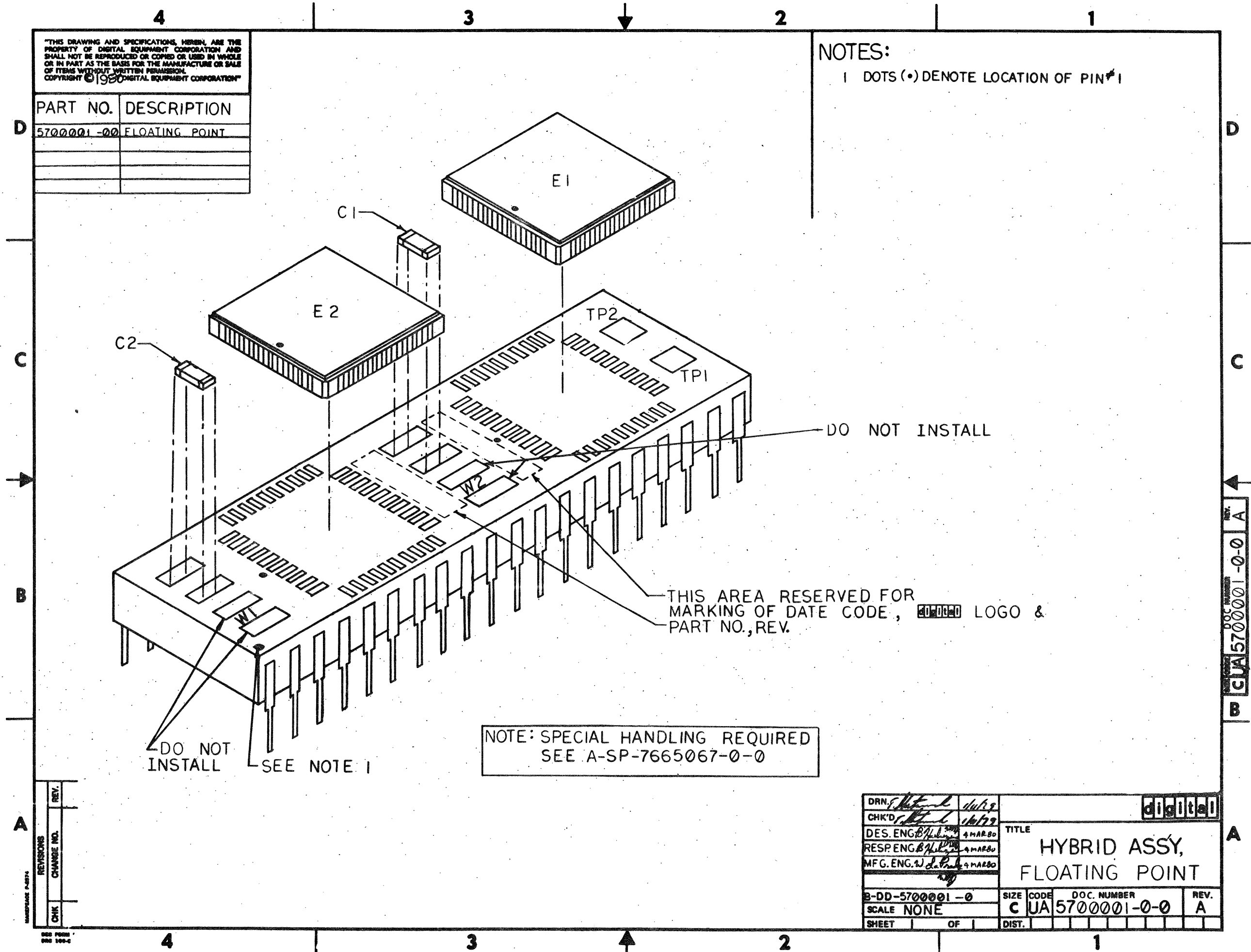
USED ON OPTION/MODEL		DRN.	DATE
KEF11-AA		<i>[Signature]</i>	1/11/79
KDF11-AB		<i>[Signature]</i>	1/11/79
		ENG. <i>[Signature]</i>	4 MAR 80
		PROD. <i>[Signature]</i>	4 MAR 80

TITLE			
HYBRID ASSY, FLOATING POINT			
SIZE	CODE	NUMBER	REV.
B	DD	5700001-0	B
SHEET 1 OF 1			

"THIS DRAWING AND SPECIFICATIONS, HEREIN, ARE THE PROPERTY OF DIGITAL EQUIPMENT CORPORATION AND SHALL NOT BE REPRODUCED OR COPIED OR USED IN WHOLE OR IN PART AS THE BASIS FOR THE MANUFACTURE OR SALE OF ITEMS WITHOUT WRITTEN PERMISSION. COPYRIGHT © 1970 DIGITAL EQUIPMENT CORPORATION"

PART NO.	DESCRIPTION
5700001-00	FLOATING POINT

NOTES:
 1 DOTS (•) DENOTE LOCATION OF PIN #1



REV.	CHANGE NO.	REVISIONS

DRN. <i>[Signature]</i> 1/16/70			
CHK'D. <i>[Signature]</i> 1/16/70			
DES. ENG. <i>[Signature]</i> 4 MAR 70	TITLE		
RESP. ENG. <i>[Signature]</i> 4 MAR 70	HYBRID ASSY, FLOATING POINT		
MFG. ENG. <i>[Signature]</i> 4 MAR 70	SIZE	CODE	DOC. NUMBER
	C	UA	5700001-0-0
B-DD-5700001-0	SCALE	NONE	REV. A
SHEET	OF	DIST.	

DOC NUMBER
 B CUA 5700001-0-0 A

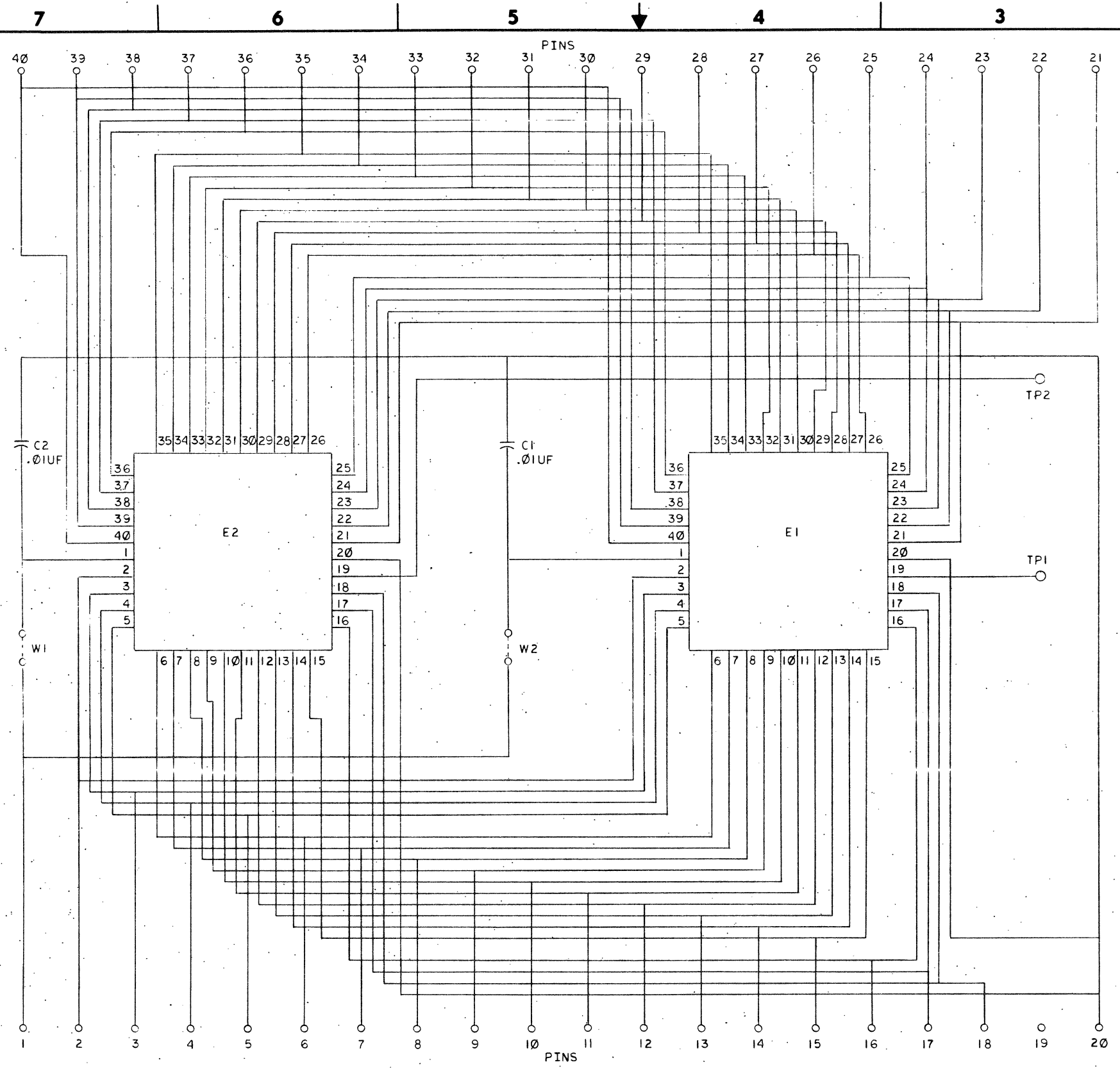
LINE	ITEM	DOCUMENT NUMBER	PART NUMBER	DESCRIPTION	QTY PER VARIATION		REFERENCE DESIGNATOR
					00	01	
1	1		1215247-00	40-PIN CERAMIC MOTHERBOARD CONTR	1	1	
2	2		23002C7-AA	C7-AA	1	1	E2
3	3		23103C7-AA	/REPLACED BY 23-203C7-AA	1	-	E1
4	4		1015605-00	.01 MFD 50V 10% CHIP	2	2	C1,C2
5	5		23203C7-AA	C7-AA	-	1	E1

REVISION HISTORY			BASIC PART NO: 5700001			DRN: W. J. MAHER			DATE: 29-DEC-78			DIGITAL		
ENG	ECO NUMBER	REV	SECTION A	OF	A	CHK'D:	T. SHETRAWSKI	DATE:	29-DEC-78	TITLE	PARTS LIST			
---	INITIAL	A	SECTION VARIATION INDEX			DES. ENG:	B. HASHIZUME	DATE:	15-FEB-80	HYBRID ASSY, FLOATING POINT				
33	REF 1-A-M1001	B	[A]	00,01		RESP. ENG.:	B. HASHIZUME	DATE:	15-FEB-80	DOCUMENT NUMBER				
			[B]			MFG. ENG.:	W. LABPRADE	DATE:	15-FEB-80	SIZE:	CODE:	NUMBER	REV	
			[C]			ASSEMBLY NUMBER:	C-UA-5700001-0-0	TOP DOCUMENT NUMBER:		FILE NAME:	5700001-0-DBP		B	
			[D]							Z1233B.PLS			EDIT #	
			[E]										3	
			[F]											
			[G]											
			[H]											
			[I]											
			[J]											
			[K]											
			[L]											
			[M]											
			[N]											

"THIS DRAWING AND SPECIFICATIONS HEREIN, ARE THE PROPERTY OF DIGITAL EQUIPMENT CORPORATION AND SHALL NOT BE REPRODUCED OR COPIED OR USED IN WHOLE OR IN PART AS THE BASIS FOR THE MANUFACTURE OR SALE OF ITEMS WITHOUT WRITTEN PERMISSION. COPYRIGHT (C) 1981. DIGITAL EQUIPMENT CORPORATION"

"THIS DRAWING AND SPECIFICATIONS, HEREIN, ARE THE PROPERTY OF DIGITAL EQUIPMENT CORPORATION AND SHALL NOT BE REPRODUCED OR COPIED OR USED IN WHOLE OR IN PART AS THE BASIS FOR THE MANUFACTURE OR SALE OF ITEMS WITHOUT WRITTEN PERMISSION. COPYRIGHT © 1980 DIGITAL EQUIPMENT CORPORATION"

- NOTES:
1. TP1 IS FOR INPUT SIGNAL TO DISABLE OUTPUT BUFFERS ON E1. USED FOR MANUFACTURING TEST PURPOSES ONLY.
 2. TP2 IS FOR INPUT SIGNAL TO DISABLE OUTPUT BUFFERS ON E2. USED FOR MANUFACTURING TEST PURPOSES ONLY.
 3. JUMPERS W1 AND W2 ALLOW CONNECTIONS OF PINS 1 OF E1 AND E2 TO PIN 1 OF MOTHERBOARD, TO PERMIT EXTERNAL V_{BB} SOURCE. THEY ARE NOT INSTALLED AND ARE RESERVED FOR DIGITAL'S FUTURE USE ONLY.



REV.	
CHG	
CHK	
REVISIONS	
CHANGE NO.	

DRN. <i>O. Vincent</i>	17 JUN 79	FIRST USED ON	KEFII-AA	digital
CHKD. <i>...</i>		TITLE	HYBRID ASSY, FLOATING POINT	
ENG. <i>...</i>	4 MAR 83	SCALE	1:1	
PROD. <i>...</i>	4 MAR 83	SHEET	1	OF 1
NEXT HIGHER ASSY.		SIZE	D	CODE
B-DD-5700001-0		NUMBER	5700001-0-1	REV.
				A

REV. A
NUMBER 5700001-0-1
SIZE CODE D