

DRAWING NO.	NO. SHTS	PART NO.	DESCRIPTION	REVISIONS
K-TC-DELQA-O-O	1	DELQA-M	M7516-00	E5
K-PL-DELQA-O-DBP	1	DELQA-SA	M7516-PA (FACTORY INSTALLED)	E4
		DELQA-SF	M7516-PA (FIELD INSTALLED)	E4
		DELQA-YM	DELQA W/TURBO-ROM ENHANCEMENT	A1
		MP-02379-01	FIELD MAINTENANCE PRINT SET	D1
			FIELD MAINTENANCE PRINT SET	D
			DELQA PARTS LIST	C

NOTES:

1. On this Drawing Directory the DELQA-M revision starts at Rev. E5 and DELQA-SA, and DELQA-SF revision start at Rev. E4. This is because when the Modules (M7516-00,PA) changed revision on ECO M7516-KL001, M7516-KL002, M7516-KL004, M7516-KL005, M7516-KL006, M7516-KL007, M7516-KL008, M7516-KL009, and M7516-MK011, the Option Revisions were never updated to reflect these changes.

R E V I S I O N
 H I S T O R Y
 D A T E
 M K 0 0 3
 0 5 / 9 0

THIS DRAWING AND THE SPECIFICATIONS CONTAINED HEREIN ARE CONFIDENTIAL AND PROPRIETARY. THEY ARE THE PROPERTY OF DIGITAL EQUIPMENT CORPORATION AND SHALL NOT BE REPRODUCED OR COPIED OR USED IN WHOLE OR IN PART AS THE BASIS FOR THE MANUFACTURE OR SALE OF ITEMS WITHOUT WRITTEN PERMISSION. THIS IS AN UNPUBLISHED WORK PROTECTED UNDER THE FEDERAL COPYRIGHT LAWS.
 COPYRIGHT 1989

DRN: N. MCGAW	DATE: 24-MAY-90	d i g i t a l I T M
CHK'D: A. HAYNES	DATE: 24-MAY-90	TITLE DRAWING DIRECTORY DELQA
DES.ENG.: R. BLANCHETTE	DATE: 24-MAY-90	SHEET 1 OF 1 EDIT: 3
RESP.ENG.: R. BLANCHETTE	DATE: 24-MAY-90	DOCUMENT NUMBER
		DD FILENAME: DELQAD.DDF
MFG.ENG.: B. BROOKE	DATE: 24-MAY-90	SIZE CODE NUMBER REV K DD DELQA-O-O D

LINE	ITEM	TOP DOCUMENT	PART NUMBER	MIN REV	DESCRIPTION	QUANTITY PER VARIATION/REVISION			
						M E05	SA E04	SF E04	YM A01
1	1		M7516-00		Q-BUS TO ETHERNET ADAPTOR,DUAL	1	-	-	-
2	2		EK-DELQA-UG		DELQA USER GUIDE	1	-	-	-
3	3		99-07092-04		BAG,TRANSLUCENT,ESD PROTECTIVE	1	-	-	1
4	4		99-07976-03		ASSEMBLY	1	-	-	1
5	5		37-00931-04		PKG MODULE 1 IN CUS OPT	-	-	1	-
6	6		70-24505-01		KIT,BULKHEAD,PANEL	-	-	1	-
7	7		12-22196-02		CONN,D SUB 15POS ASSY STR LO	-	1	1	-
8	8		M7516-PA		M7516 WITH S-BOX HANDLE (Q-BUS TO	-	1	1	-
9	9		EK-DELQA-IN		DELQA-S Q-BUS TO ETHERNET ADAPTER	-	-	1	-
10	10		M7516-YM		DELQA-TURBO MODULE	-	-	-	1
11	11		EK-DELQP-UG		DELQA PLUS USERS GUIDE ADDENDUM	-	-	-	1

REVISION HISTORY			KPL MATRIX FORMAT		SECTION A OF A		DRN: C.IVE		D I G I T A L			
ENG	ECO NUMBER	REV	SECTION/VARIATION INDEX		DATE: 17-JUN-87		CHK'D: D.GAHAN		TITLE PARTS LIST			
	---		[A]	M,SA,SF,YM	DATE: 17-JUN-87		DATE: 17-JUN-87		DELQA			
D.G	DELQA-KL001	B	[B]				DES.ENG: D.GAHAN		Q-BUS ETHERNET CONTROLLER			
RB	DELQA-MK003	C	[C]				DATE: 17-JUN-87		DOCUMENT NUMBER			
			[D]				RESP.ENG.: B.CAMPBELL		SIZE	CODE	NUMBER	REV
			[E]				DATE: 17-JUN-87		K	PL	DELQA-O-DBP	C
			[F]				MFG.ENG: R.COOKE		RELEASE DATE: 24-MAY-90			
			[H]				DATE: 17-JUN-87		RELEASE STATUS: RELEASED			
			[J]									
			BASIC PART NUMBER:		ASSEMBLY NUMBER:		TOP DOCUMENT NUMBER:		EDIT #			
			DELQA				K-DD-DELQA-0-0		2			
			FILE NAME: DELQAC.PLS									

"THIS DRAWING AND THE SPECIFICATIONS CONTAINED HEREIN ARE CONFIDENTIAL AND PROPRIETARY. THEY ARE THE PROPERTY OF DIGITAL EQUIPMENT CORPORATION AND SHALL NOT BE REPRODUCED OR COPIED OR USED IN WHOLE OR IN PART AS THE BASIS FOR THE MANUFACTURE OR SALE OF ITEMS WITHOUT WRITTEN PERMISSION. THIS IS AN UNPUBLISHED WORK PROTECTED UNDER THE FEDERAL COPYRIGHT LAWS."

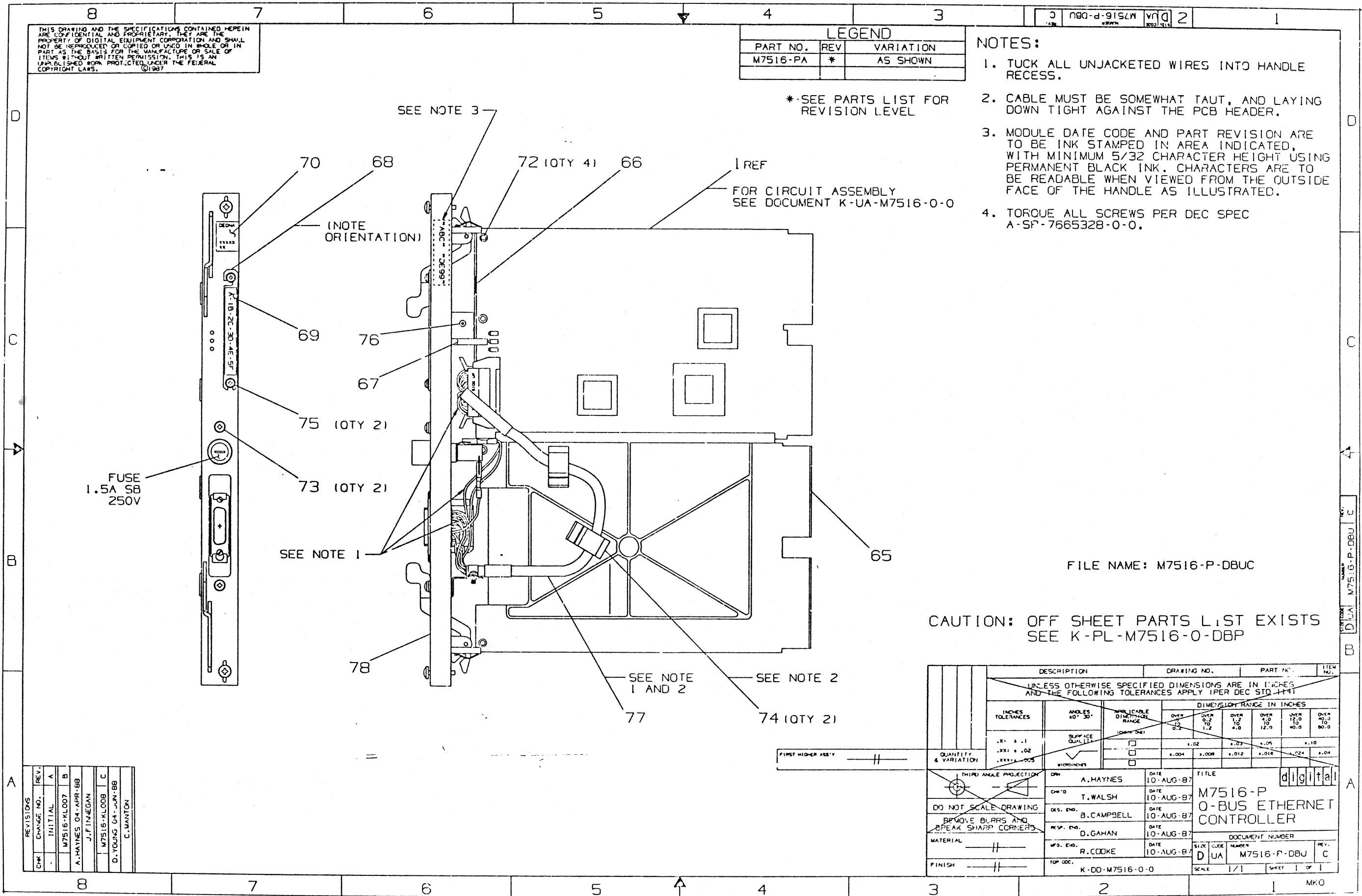
THIS DRAWING AND THE SPECIFICATIONS CONTAINED HEREIN ARE CONFIDENTIAL AND PROPRIETARY. THEY ARE THE PROPERTY OF DIGITAL EQUIPMENT CORPORATION AND SHALL NOT BE REPRODUCED OR COPIED OR USED IN WHOLE OR IN PART AS THE BASIS FOR THE MANUFACTURE OR SALE OF ITEMS WITHOUT WRITTEN PERMISSION. THIS IS AN UNPUBLISHED WORK PROTECTED UNDER THE FEDERAL COPYRIGHT LAWS. ©1987

LEGEND		
PART NO.	REV	VARIATION
M7516-PA	*	AS SHOWN

NOTES:

1. TUCK ALL UNJACKETED WIRES INTO HANDLE RECESS.
2. CABLE MUST BE SOMEWHAT TAUT, AND LAYING DOWN TIGHT AGAINST THE PCB HEADER.
3. MODULE DATE CODE AND PART REVISION ARE TO BE INK STAMPED IN AREA INDICATED, WITH MINIMUM 5/32 CHARACTER HEIGHT USING PERMANENT BLACK INK. CHARACTERS ARE TO BE READABLE WHEN VIEWED FROM THE OUTSIDE FACE OF THE HANDLE AS ILLUSTRATED.
4. TORQUE ALL SCREWS PER DEC SPEC A-SF-7665328-0-0.

*SEE PARTS LIST FOR REVISION LEVEL



REF
FOR CIRCUIT ASSEMBLY
SEE DOCUMENT K-UA-M7516-0-0

FILE NAME: M7516-P-DBUC

CAUTION: OFF SHEET PARTS LIST EXISTS
SEE K-PL-M7516-0-DBP

DESCRIPTION	DRAWING NO.	PART NO.	ITEM NO.
UNLESS OTHERWISE SPECIFIED DIMENSIONS ARE IN INCHES AND THE FOLLOWING TOLERANCES APPLY (PER DEC STD-H-1)			
INCHES TOLERANCES	ANGLES 90°-30°	DIMENSION RANGE IN INCHES	
.XX ± .01	SURFACE QUALITY	OVER .125 TO 1.2	OVER 1.2 TO 4.0
.XX ± .02		OVER 4.0 TO 12.0	OVER 12.0 TO 80.0
.XX ± .005	MICROINCHES	±.02	±.03
		±.04	±.05
		±.012	±.016
		±.024	±.04
THIRD ANGLE PROJECTION	DRW A.HAYNES	DATE 10-AUG-87	TITLE
DO NOT SCALE DRAWING	CHK'D T.WALSH	DATE 10-AUG-87	M7516-P
REMOVE BURRS AND SPEAK SHARP CORNERS	DES. ENG. B.CAMPBELL	DATE 10-AUG-87	Q-BUS ETHERNET CONTROLLER
MATERIAL	RESP. ENG. D.GAHAN	DATE 10-AUG-87	DOCUMENT NUMBER
FINISH	WFO. ENG. R.COOLKE	DATE 10-AUG-87	D UA M7516-P-DBU C
	TOP DOC. K-DD-M7516-0-0	SCALE 1/1	SHEET 1 OF 1

REV.	CHG. NO.	INITIAL
A		A
B	M7516-KL007	B
C	M7516-KL008	C

REVISIONS

A. HAYNES 04-APR-88
J. F. IMEGAN
D. YOUNG 04-JUN-88
C. WANTON

M7516-P-DBU C

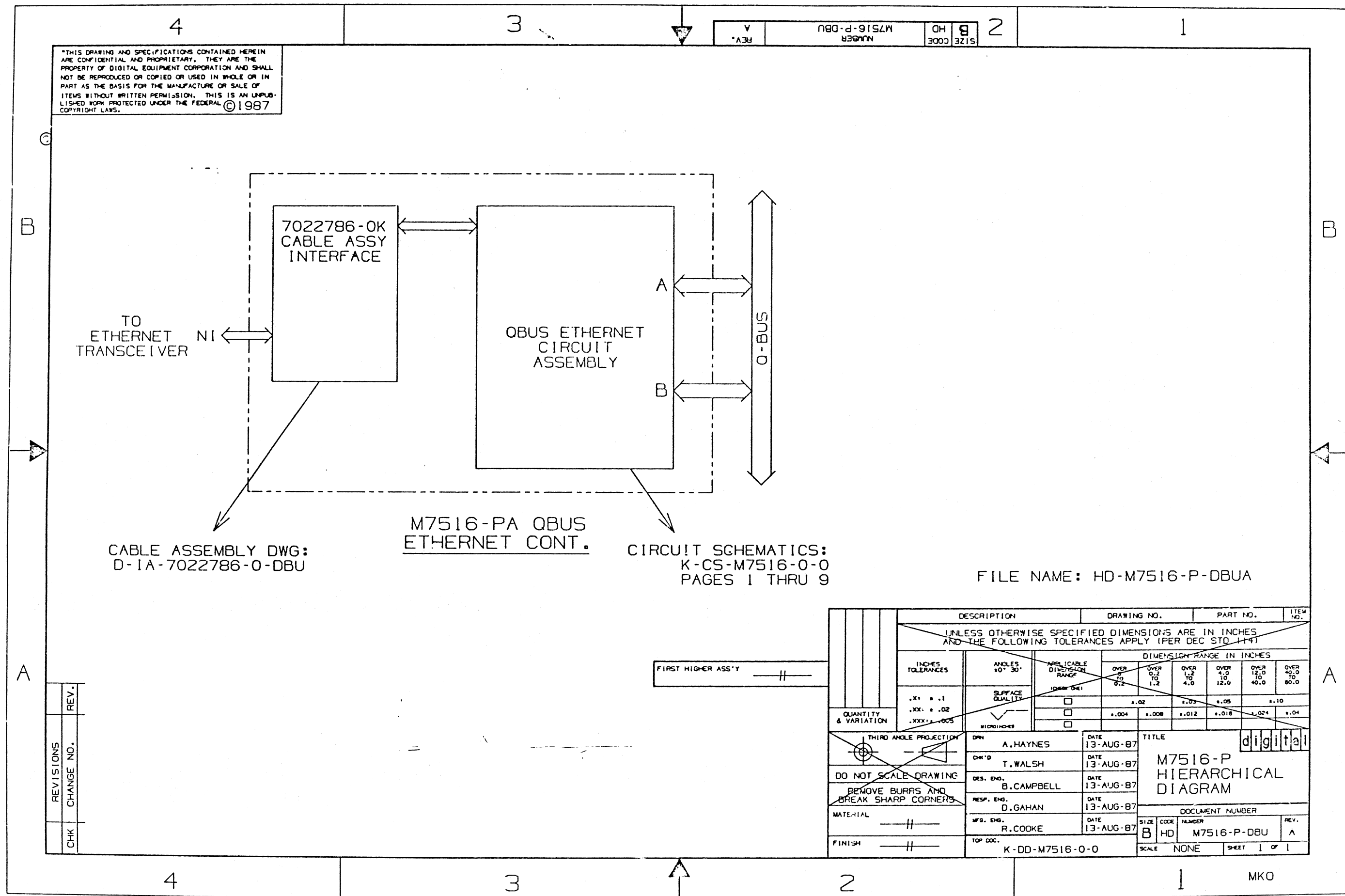
M7516-P-DBU C

digital

MKO

*THIS DRAWING AND SPECIFICATIONS CONTAINED HEREIN ARE CONFIDENTIAL AND PROPRIETARY. THEY ARE THE PROPERTY OF DIGITAL EQUIPMENT CORPORATION AND SHALL NOT BE REPRODUCED OR COPIED OR USED IN WHOLE OR IN PART AS THE BASIS FOR THE MANUFACTURE OR SALE OF ITEMS WITHOUT WRITTEN PERMISSION. THIS IS AN UNPUBLISHED WORK PROTECTED UNDER THE FEDERAL COPYRIGHT LAWS. ©1987

REV. A
NUMBER M7516-P-DBU
SIZE CODE B HD
2



CABLE ASSEMBLY DWG:
D-1A-7022786-0-DBU

M7516-PA OBUS
ETHERNET CONT.

CIRCUIT SCHEMATICS:
K-CS-M7516-0-0
PAGES 1 THRU 9

FILE NAME: HD-M7516-P-DBUA

REV.	CHANGE NO.	CHK

FIRST HIGHER ASS'Y —||—

DESCRIPTION	DRAWING NO.	PART NO.	ITEM NO.
UNLESS OTHERWISE SPECIFIED DIMENSIONS ARE IN INCHES AND THE FOLLOWING TOLERANCES APPLY (PER DEC STD 114)			
DIMENSION RANGE IN INCHES			
INCHES TOLERANCES	ANGLES ±0° 30'	APPLICABLE DIMENSION RANGE	OVER 4.0 TO 12.0
.X1 ± .1	SURFACE QUALITY	LOWER SPEC	OVER 12.0 TO 40.0
.XX ± .02	□	□	OVER 40.0 TO 80.0
.XXX ± .005	✓	□	
	MICROINCHES	□	
QUANTITY & VARIATION	THIRD ANGLE PROJECTION	DRN A. HAYNES	DATE 13-AUG-87
	DO NOT SCALE DRAWING	CHK'D T. WALSH	DATE 13-AUG-87
	REMOVE BURRS AND BREAK SHARP CORNERS	DES. ENG. B. CAMPBELL	DATE 13-AUG-87
		RESP. ENG. D. GAHAN	DATE 13-AUG-87
MATERIAL — —		MFG. ENG. R. COOKE	DATE 13-AUG-87
FINISH — —		TOP DOC. K-DD-M7516-0-0	
		TITLE digital	
		M7516-P HIERARCHICAL DIAGRAM	
		DOCUMENT NUMBER	
		SIZE CODE NUMBER	REV.
		B HD M7516-P-DBU	A
		SCALE NONE	SHEET 1 OF 1

MKO

AUTOMATED BY VAXKPL (V2.0)

PARTS LIST

LINE	ITEM	TOP DOCUMENT	PART NUMBER	MIN REV	DESCRIPTION	QTY	PER PA	VAR/REV	REFERENCE DESIGNATORS
						E4	E3		
1	1	D-MD-5017646-0-0	50-17646-01	H	CIRCUIT DRILL & ETCH BOARD	1	1		
2	2		10-11605-00		100 MFD 10V +/-10% SOL	1	1		C27
3	3		10-12784-00	A	0.047MFD 50V +80/-20% Z5U C	13	13		C5,C7-C12,C16,C17,C22,C24,C29, CONT C35
4	4		10-13466-06		100 PFD 50V +/- 5% NPO C	1	1		C39
5	5		10-13466-22	W	0.10 MFD 50V +80/-20% Z5U C	8	8		C3,C13,C14,C18,C20,C25,C32,C36
6	6		10-13466-34		4700 PFD 50V +/- 5% X7R C	1	1		C28
7	7		10-13466-43		0.010MFD 50V +/- 5% X7R C	2	2		C19,C37
8	8		10-13466-50		680 PFD 50V +/- 5% NPO C	3	3		C6,C15,C40
9	9		10-15573-02	C	0.10 MFD 50V +/-10% X7R C	4	4		C23,C30,C31,C38
10	10		10-17472-00		10 MFD 35V +75/-10% 85	4	4		C1,C26,C33,C34
11	11		10-17472-02		4.7 MFD 50V +75/-10% 85	1	1		C2
12	12		11-14136-00		LED 16MA 5V	3	3		D1-D3
13	13		12-05747-00		FUSE PICO 5.0 A 125V AXIAL LEA	1	1		F1
14	14	SEE NOTE # 14	12-09941-03	R	PCB,HEADER LATCH	1	1		
15	15	SEE NOTE # 15	12-09941-04	R	PCB,HEADER LATCH	1	1		
16	16		12-09941-13		PCB,HEADER 19PIN(2X10).100CC 90D	1	1		J1
17	17		12-11164-01	R	SW,DIP 5POS/1PST 5VDC100MA F	1	1		E15
18	18		12-15006-02		SKT,IC 16PIN DIP TIN SOLD	1	1		XE1
19	19		12-15006-07	F	SKT,IC 28PIN DIP TIN SOLD	2	2		XE28,XE29
20	20		13-00229-00		100.0 .25 W 5.0 % CF	4	4		R9,R11,R23,R24
21	21		13-00432-00		3.0 K .25 W 5.0 % CF	2	2		R4,R20
22	22		13-00447-00		4.70 K .25 W 5.0 % CF	2	2		R2,R7
23	23		13-02388-00		2.0 K .25 W 5.0 % CF	2	2		R1,R10
24	24		13-02514-00		39.0 K .25 W 5.0 % CF	1	1		R3
25	25		13-02751-00		30.0 .25 W 5.0 % CF	1	1		R6
26	26		13-09422-00		5.10 .25 W 5.0 % CF	1	1		R12
27	27	SEE NOTE # 27	13-11522-00		200.0 .25 W 5.0 % CF	2	2		R17,R25
28	28		13-13349-00		33.0 K .25 W 5.0 % CF	1	1		R21
29	29		13-13918-00		9.10 K .25 W 5.0 % CF	1	1		R8

REVISION HISTORY		KPL MODULE FORMAT		SECTION A OF A		DRN: D.YOUNG		DIGITAL	
ECO NUMBER		REV		SECTION/VARIATION INDEX		DATE: 06-JUN-88		TITLE PARTS LIST	
D.G. M7516-KL008		K		[A] 00,PA [M]		CHK'D: T.HORNBY		DELQA PARTS LIST	
D.G. M7516-KL009		L		[B] [N]		DATE: 06-JUN-88		DOCUMENT NUMBER	
RB M7516-MK010		M		[C] [P]		DES.ENG: D.GAHAN		SIZE CODE NUMBER REV	
				[D] [Q]		DATE: 13-JUN-88		K PL M7516-0-DBP M	
				[E] [R]		RESP.ENG.: B.CAMBELL		RELEASE DATE: 24-JAN-89	
				[F] [S]		DATE: 13-JUN-88		RELEASE STATUS: RELEASED	
				[H] [T]		MFG.ENG: R.COOKE		TOP DOCUMENT NUMBER: K-DD-M7516-0-0	
				[J] [V]		DATE: 13-JUN-88		EDIT # 2	
				[K] [W]		BASIC PART NUMBER: M7516			
				[L] [Y]		ASSEMBLY NUMBER: K-UA-M7516-0-0			
						FILE NAME: M7516M.PLS			

"THIS DRAWING AND THE SPECIFICATIONS CONTAINED HEREIN ARE CONFIDENTIAL AND PROPRIETARY. THEY ARE THE PROPERTY OF DIGITAL EQUIPMENT CORPORATION AND SHALL NOT BE REPRODUCED OR COPIED OR USED IN WHOLE OR IN PART AS THE BASIS FOR THE MANUFACTURE OR SALE OF ITEMS WITHOUT WRITTEN PERMISSION. THIS IS AN UNPUBLISHED WORK PROTECTED UNDER THE FEDERAL COPYRIGHT LAWS."

LINE	ITEM	TOP DOCUMENT	PART NUMBER	MIN REV	DESCRIPTION	QTY	PER PA	VAR/REV	REFERENCE DESIGNATORS
						00	PA		
						E4	E3		
30	30		13-16395-00		R. NET 4.7K- 9 2.0	3	3		Z2-Z4
31	31		13-18150-75		40.20 .25 W 1.0 % RN550-F10	6	6		R13-R16,R18,R19
32	32		13-18247-00		510.0 .25 W 5.0 % CF	1	1		R5
33	33		13-21219-01		R. NET 330.0 - 4 680.0 - 4 2.0	1	1		Z1
34	34		16-25072-01		XFMR,75UH	1	1		E42
35	35		18-14057-00		OSCILLATOR, XTAL 40.000 MHZ	1	1		Y1
36	36		19-12810-00		LS20 NAND GATE-DUAL 4IN	1	1		E27
37	37		19-12858-00	C	LS221 ONE SHOT-DUAL,SCHMIT	2	2		E14,E19
38	38		19-14987-00		8641-2 TRANSCEIVER,UNIBUS,	2	2		E20,E26
39	39		19-15218-00		LS245 TRANSCEIVER,BUS,OCTA	2	2		E32,E33
40	40		19-19015-00	DC	021 BUS TRANSCEIVER,20PI	4	4		E16,E25,E34,E35
41	41		19-19018-00	A	LS148 PRIORITY ENCODER,8 T	1	1		E21
42	42		19-20572-01		74F244 BUFFER/LINE DRIVER,0	2	2		E37,E38
43	43		19-20853-01		LS646 BUS TRANSCEIVER/REGI	2	2		E8,E9
44	44		19-21008-01		74F240 BUFFER/LINE DRIVER,I	1	1		E30
45	45		19-21010-01		74F373 OCTAL TRANSPARENT LA	4	4		E6,E7,E22,E23
46	46		19-21305-01		74F00 NAND GATE,QUAD,2-IN	2	2		E10,E17
47	47		19-21306-01		74F02 NOR GATE,QUAD,2-IN	2	2		E11,E18
48	48		19-21314-01		74F74 FF-D,DUAL,POS.,EDGE	2	2		E12,E31
49	49		19-21671-03		INTERFACE,SERIAL ADAPTOR 300MIL	1	1		E41
50	50		21-20067-03	A	68000 MICROPROCESSOR 16BIT	1	1		E39
51	51	SEE NOTE # 51	21-21672-10	A	DC7083 CONTROLLER,LOCAL AREA NET	1	1		E13
52	52		21-25086-03	D	DC7041DQIC GATE ARRAY 6K 2U 84P	1	1		E36
53	53		21-25503-01	B	DATA PATH CONTROLLER	1	1		E24
54	54		21-25710-02		*** THIS ITEM IS NOT USED ***	-	-		
55	55		21-26266-01		RAM STATIC 16KX4 55N	4	4		E2-E5
56	56		23-334E5-00	A	E5-04 U	1	1		E28
57	57		23-335E5-00	A	E5-04 U	1	1		E29
58	58		23-365A1-00		A1-09	1	1		E1
59	59	SEE NOTE # 59	90-06732-00		EYELET,ROLLED 0.1210DX0.219	2	-		
60	60		90-08337-06		HANDLE, FLIP CHIP, MAGENTA	1	-		
61	61		90-09149-00		PIN,STAKNG 0.0250DX0.345LG SQUAR	1	1		TP1
62	62		90-09185-00		JUMPER, WIRE, INSULATED, BLACK B	8	8		W8-W15
63	63	SEE NOTE # 63	91-07301-11		TUBING,TEFLON .085ID	1	1		
64	64	SEE NOTE # 64	91-05740-55		WIRE(WRAP) 30AWG KYNAR UL14	12	12		
65	65		74-33507-01	A	PANEL BLANK DUAL	-	1		
66	66		74-33866-01	A	INSULATOR,STRIP	-	1		
67	67		74-33867-01	A	EXTENDER,LIGHT	-	1		
68	68		74-34429-01		CARRIER,LABEL	-	1		
69	69		36-25542-02		LABEL,DEBET ETHERNET ADDRESS .6	-	1		
70	70		36-26883-53		LABEL,MODULE NUMBER,S-BOX,7516-P	-	1		
71	71	SEE NOTE # 71	37-00931-01		PKG MODULE 1 IN. HEIGHT CUS	-	1		
72	72		90-00024-01		EYELET,ROLLED 0.1210DX0.192	-	4		
73	73		90-09701-00		SCREW,SEMS PAN PHIL 6-	-	2		
74	74		90-08340-00		CLIP,CABLE HARNESS W/ADH.BACK	-	2		
75	75		90-09643-02		SCREW,SEMS PAN PHIL 4-	-	2		
76	76		90-06557-00		NUT,HEX EXT TOOTH LCKWSHR 4-40	-	1		
77	77		70-22786-0K		CABLE BULKHEAD ASSY	-	1		
78	78		70-23742-03		BULKHEAD, FLUSHED ASSY	-	1		

D	I	G	I	T	A	L	TITLE	SECTION A OF A	SIZE	CODE	DOCUMENT NUMBER	REV
							DELQA PARTS LIST		K	PL	M7516-0-DBP	M

LINE ITEM	TOP DOCUMENT	PART NUMBER	MIN REV	DESCRIPTION	QTY PER VAR/REV	REFERENCE DESIGNATORS
					00 PA	
					E4 E3	

14 NOTE: FIT TO J1
 15 NOTE: FIT TO J1
 27 NOTE: R25 IS USED ONLY FOR ECO.M7516-KL001 AS SHOWN ON UA DRAWING
 51 NOTE: WHEN USING 21-21672-071-10 INSERT W11-W15 REMOVE R22 & E40;SEE GEN NOTE 7.
 59 NOTE: 90-00024-01 MAY BE USED IN PLACE OF 90-06732-00 AT MANUFACTURER'S DISCRETION.
 63 NOTE: QUANTITY OF TUBING REQUIRED IS 24MM. 91-07295-11 MAY BE USED IN PLACE OF 91-07301-11 AT MANUFACTURER'S DISCRETION.
 64 NOTE: QUANTITY OF ITEM #64 IS IN INCHES.
 71 NOTE: REFERENCE 37-00931-02 OR -03 FOR INTERPLANT SHIPMENT

1 GEN: DIFFERENCES BETWEEN M7516-00 REV E3 AND E4 MODULES ARE AS FOLLOWS:-
 2 GEN: E3 CONTAINS E40(21-25710-02),R22(13-00229-00) BUT E4 DOES NOT.
 3 GEN: E3 DOES NOT CONTAIN W11-W15(90-09185-00)WHILE E4 DOES.
 4 GEN: DIFFERENCES BETWEEN M7516-PA REV E1 AND E2 MODULES ARE AS FOLLOWS:-
 5 GEN: E1 CONTAINS E40(21-25710-02),R22(13-00229-00) BUT E2 DOES NOT.
 6 GEN: E1 DOES NOT CONTAIN W11-W15(90-09185-00) WHILE E2 DOES.
 7 GEN: FOR ITEM 51: 21-21672-09 MAY BE USED IN PLACE OF 21-21672-10 AT MANUFACTURER'S DISCRETION.

D	I	G	I	T	A	L	TITLE	SECTION A	OF A	SIZE	CODE	DOCUMENT NUMBER	REV
							DELQA PARTS LIST			K	PL	M7516-0-DBP	M

THIS DRAWING AND SPECIFICATIONS, HEREIN, ARE THE PROPERTY OF DIGITAL EQUIPMENT CORPORATION AND SHALL NOT BE REPRODUCED OR COPIED IN WHOLE OR IN PART TO THE BASIS FOR THE MANUFACTURE OR SALE OF ITEMS WITHOUT WRITTEN PERMISSION. DIGITAL EQUIPMENT CORPORATION
 1988

COMPONENT SIDE VIEW

MODULE	REV	COMPONENTS IN	COMPONENTS OUT
M7516-00	E3	R22 AND E40	W11-W15
M7516-00	E4	W11-W15	R22 AND E40
M7516-PA	E1	R22 AND E40	W11-W15
M7516-PA	E2	W11-W15	R22 AND E40
M7516-PA	E3	W11-W15	R22 AND E40

NOTE: M7516-PA REVS E1 AND E2 USE 5 EYELETS WHILE REV E3 USES 4 EYELETS.

Last edited by ::PVIEW 9-MAR-1989 Prev. file: M7516HUA1

CHK	DRAWN BY	ENGINEER	CHANGE NO	DATE	REV
T.H.	D. YOUNG	D. GIFFIN	M7516-KLD88	JUN-88	E
T.H.	D. YOUNG	D. GIFFIN	M7516-KLD91	JUL-88	F
	K. KALLIO	R. BLANCHETTE	M7516-MK018	JAN-89	H

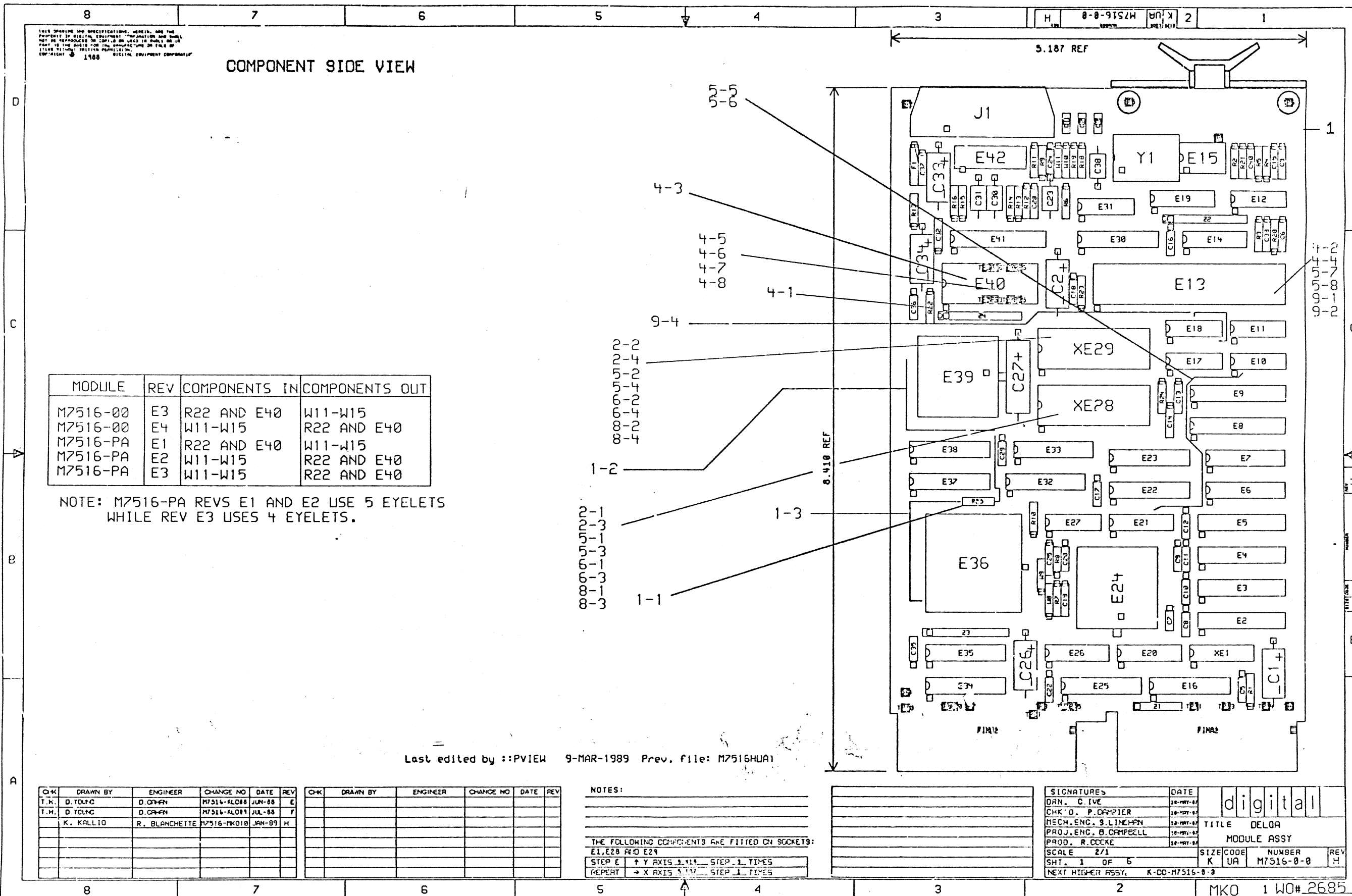
CHK	DRAWN BY	ENGINEER	CHANGE NO	DATE	REV

NOTES:

THE FOLLOWING COMPONENTS ARE FITTED ON SOCKETS:
 E1, E28 AND E29
 STEP E → Y AXIS 1.111 STEP 1 TIMES
 REPEAT → X AXIS 1.111 STEP 1 TIMES

SIGNATURES	DATE
DRN. C. IVE	18-MAY-87
CHK'D. P. CAMPBELL	18-MAY-87
MECH. ENG. S. LINEMAN	18-MAY-87
PROJ. ENG. B. CAMPBELL	18-MAY-87
PROD. R. COCKE	18-MAY-87

digital			
TITLE	DELOR	MODULE ASSY	
SCALE	2/1	SIZE	CODE
SHT. 1 OF 5	K UA	NUMBER	REV
NEXT HIGHER ASSY: K-DD-M7516-0-0		M7516-0-0	H

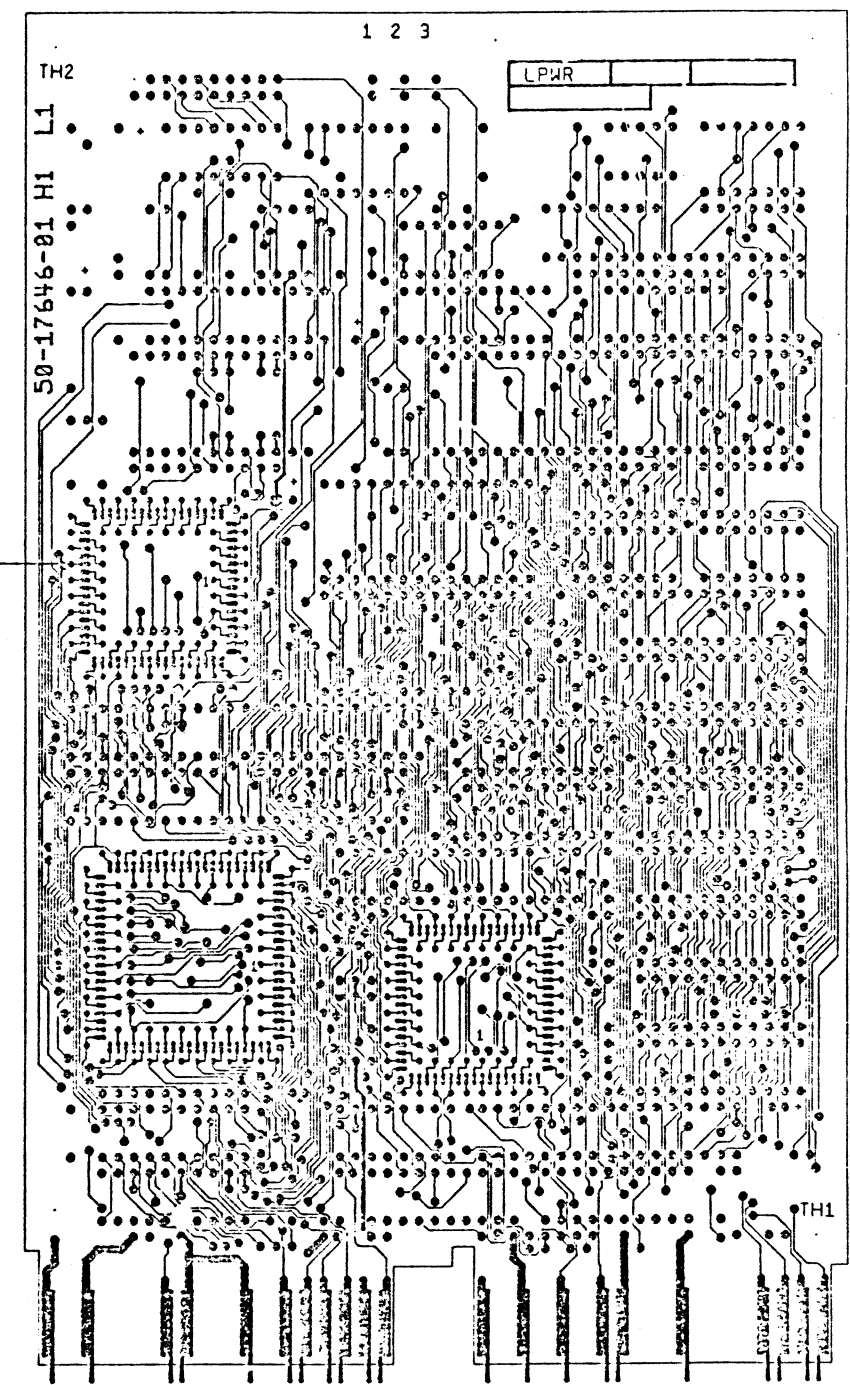


MKO 1 WO# 2685

8 7 6 5 4 3 2 1

THIS DRAWING AND SPECIFICATIONS, HEREIN, ARE THE PROPERTY OF DELTA ELECTRONIC CORPORATION AND SHALL NOT BE REPRODUCED OR COPIED IN WHOLE OR IN PART WITHOUT THE WRITTEN PERMISSION OF DELTA ELECTRONIC CORPORATION. © 1988 DELTA ELECTRONIC CORPORATION

COMPONENT SIDE VIEW



D
C
B
A

D
C
B
A

REVISION HISTORY

REV	ECO NUMBER	DATE

Last edited by ::PVIEW 9-MAR-1989 Prev. file: M7516HUA2

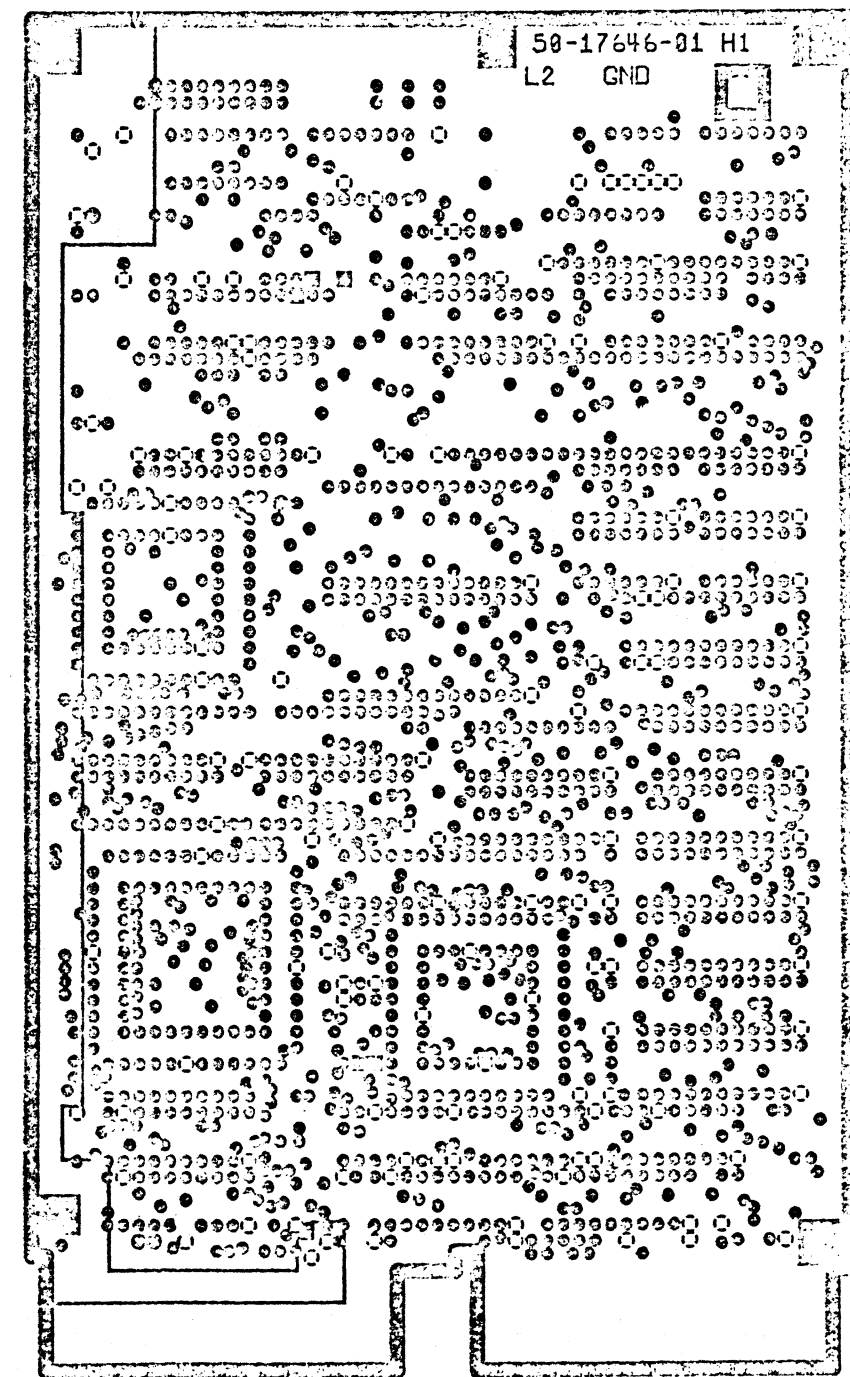
TITLE		DOCUMENT NUMBER	
DELQA MODULE ASSY		M7516-0-0	
SIZE	CODE	PLACES	REV
K	UR	2/1	H
MKO		1 WO# 2685	

8 7 6 5 4 3 2 1

THIS DRAWING AND SPECIFICATIONS HEREBY ARE THE PROPERTY OF DELTA EQUIPMENT COMPANY AND SHALL NOT BE REPRODUCED OR COPIED IN ANY MANNER OR PART OF THE DRAWING FOR THE CONSTRUCTION OF ANY OF THESE WITHOUT WRITTEN PERMISSION.
 COPYRIGHT © 1988 DELTA EQUIPMENT COMPANY.

H 0-0-91514 K UA 2 1

COMPONENT SIDE VIEW



Last edited by ::PVIEW 9-MAR-1989 Prev. file: M7516HUA3

REVISION HISTORY

REV	ECO NUMBER	DATE

DOCUMENT NUMBER

SIZE	CODE	NUMBER	REV
K	UA	M7516-0-0	H

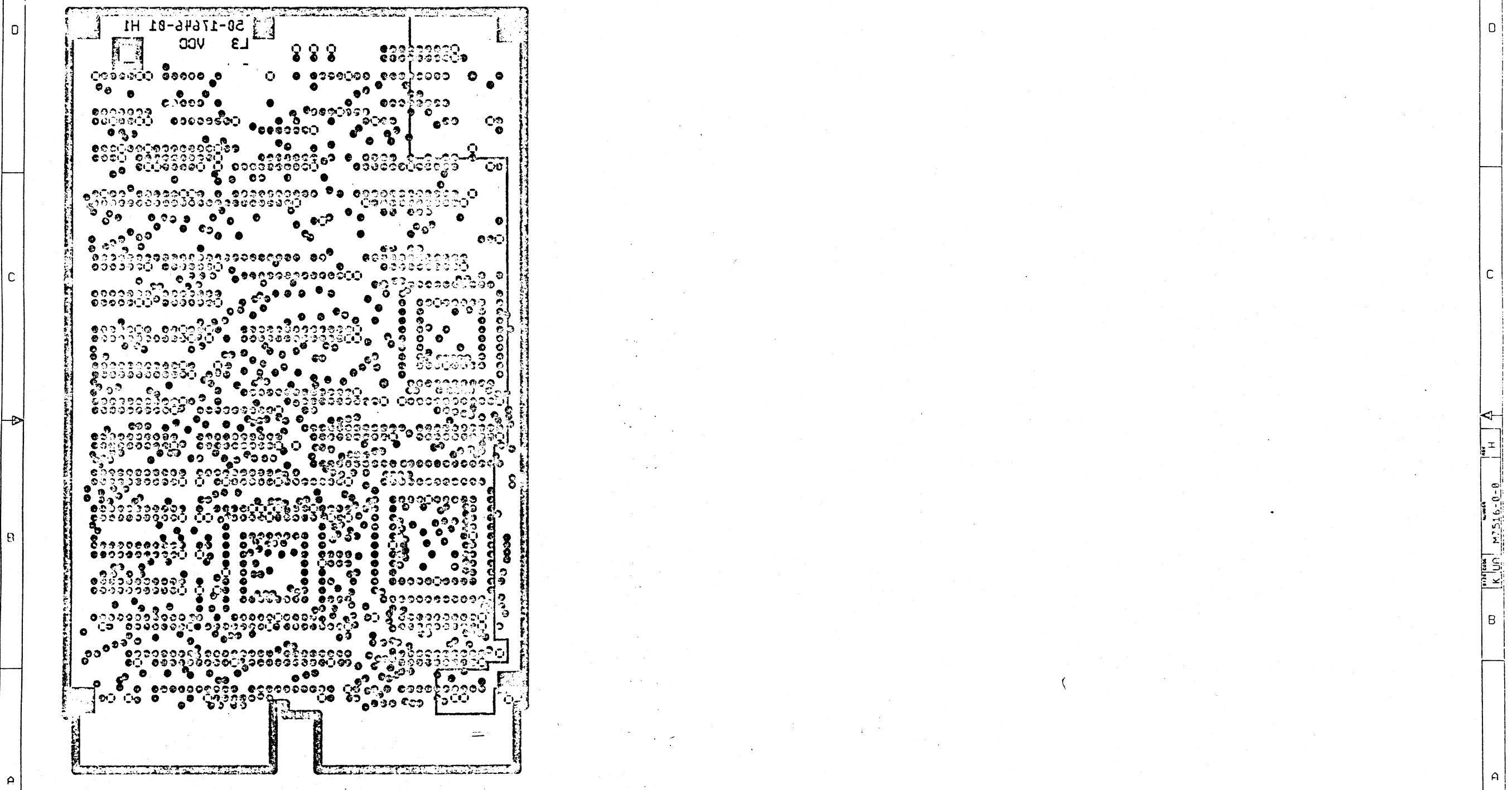
WORK 2/1 SHEET 3 OF 6

DELQA MODULE ASSY

NKO 1 WO# 2685

THIS DRAWING AND SPECIFICATIONS, WHETHER OR NOT
 PROPERTY OF DIGITAL, IS UNCLASSIFIED AND SHALL
 NOT BE DECLASSIFIED OR CONTROLLED IN ANY MANNER
 EXCEPT AS REQUIRED BY THE EXECUTIVE ORDER OF
 PRESIDENT BUSH DATED 12/01/85.
 COPYRIGHT © 1988 DIGITAL EQUIPMENT CORPORATION

ETCH SIDE VIEW



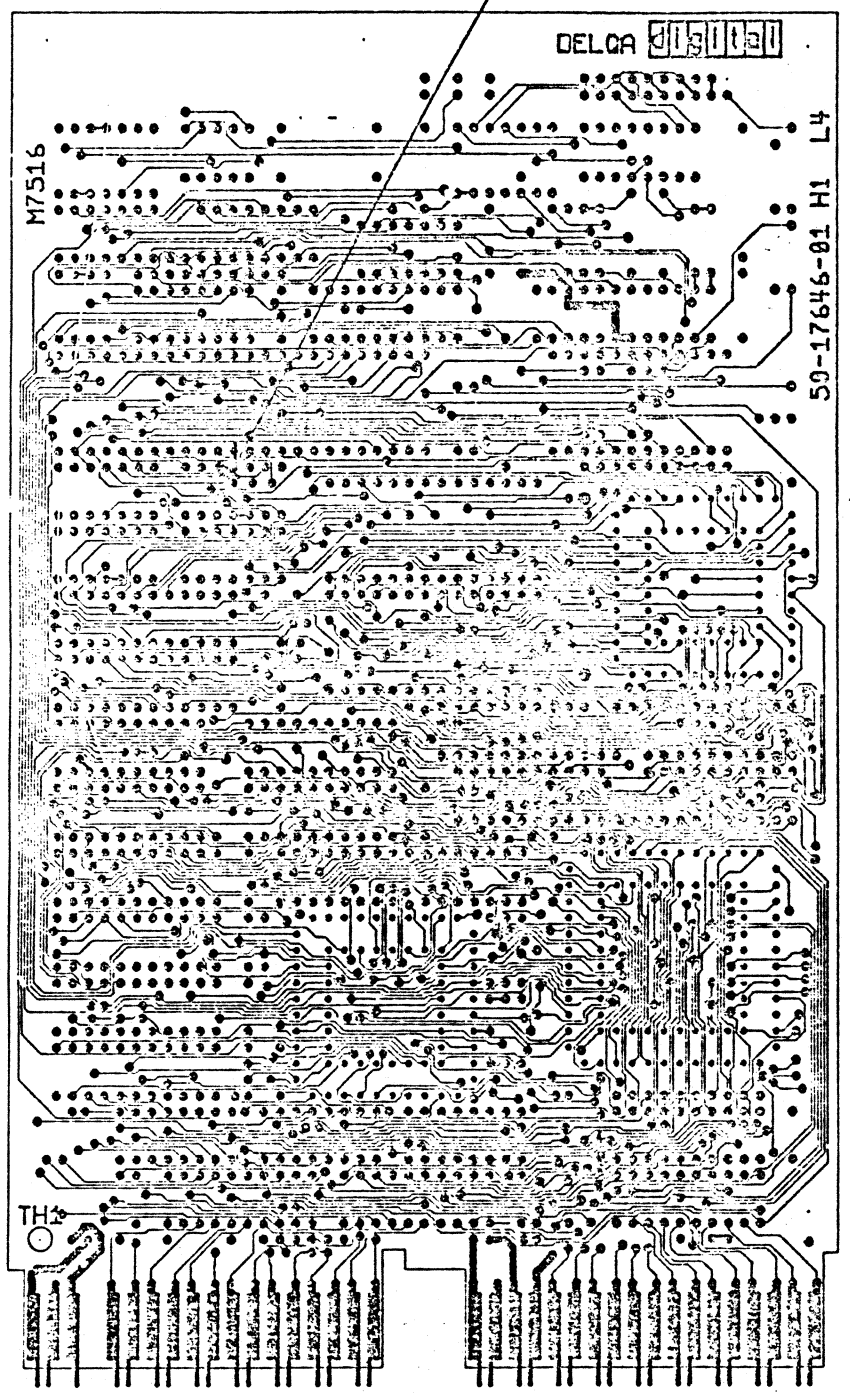
REVISION HISTORY		
REV	ECO NUMBER	DATE

Last edited by ::PVIEW 9-MAR-1989 Prev. file: M7516HUA4

TITLE		DOCUMENT NUMBER	
DELQA MODULE ASSY		NUMBER	REV
SIZE	CODE	M7516-0-0	H
K	UA	SCALE 2/1 SHEET 1 OF 5	
MKO		1 WO# 2685	

THIS DRAWING AND SPECIFICATIONS, HEREIN, AND THE
 PROPERTY OF DIGITAL EQUIPMENT CORPORATION AND SHALL
 NOT BE REPRODUCED OR COPIED IN ANY MANNER OR IN
 PART IN THE ABSENCE OF THE WRITTEN PERMISSION OF
 DIGITAL EQUIPMENT CORPORATION.
 1188

ETCH SIDE VIEW 9-3



REVISION HISTORY		
REV	ECO NUMBER	DATE

Last edited by ::PVIEW 9-MAR-1989 Prev. file: M7516HUA5

DELQA MODULE ASSY

DOCUMENT NUMBER			
SIZE	CODE	NUMBER	REV
K	UA	M7516-0-0	H
SCALE	2/1	SHEET 5	OF 6

MKO 1 WO# 2585

ALL DIMENSIONS AND SPECIFICATIONS CONTAINED HEREIN ARE CONSIDERED TO BE PART OF THE DRAWING. THE CONTRACTOR SHALL BE RESPONSIBLE FOR THE MANUFACTURE OF ALL ITEMS UNLESS OTHERWISE SPECIFIED. THIS IS AN ORIGINAL WORK PRODUCT UNDER THE FEDERAL COPYRIGHT LAWS. COPYRIGHT © 1988 DIGITAL EQUIPMENT CORPORATION

D
C
B
A

REWORK INSTRUCTIONS FOR M7516-KL001
 FOR M7516-00 REV A1 UPGRADE
 M7516-00 REV A1 REPLACED BY REV A2

COMPONENT ADD
 1-1 ADD 13-11522-00 (R25) WITH 91-07301-11 (TUBING) OVER RESISTOR. PLACE R25 ABOVE E36 AT 90 DEGREES TO THE OTHER AXIAL COMPONENTS.
 WIRE ADDS (91-05740-55)
 1-2 ADD WIRE FROM R25-2 TO 2ND P.T.H. TO THE LEFT OF E39-31.
 1-3 ADD WIRE FROM R25-1 TO THE 2ND P.T.H. TO THE LEFT OF E36-50.
 NOTE: WRAP WIRE 1 FULL TURN AROUND RESISTOR LEAD AND ADD SOLDER.

ETCH CUT
 1-4 SIDE 1 AT P.T.H. TO THE LEFT OF E39-31.

REWORK INSTRUCTIONS FOR M7516-KL002
 FOR M7516-00 REV A2 UPGRADE
 (M7516-00 REV A2 REPLACED BY REV A3)

OR
 FOR M7516-00 REV A3 NEW BUILD.

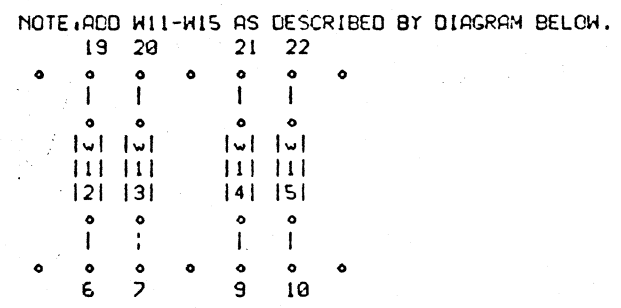
COMPONENT DELETES
 2-1 DELETE 23-259E5-00 E28.
 2-2 DELETE 23-260E5-00 E29.

COMPONENT ADDS
 2-3 ADD 23-304E5-00 E28. (REPLACED BY KL005 5-3)
 2-4 ADD 23-305E5-00 E29. (REPLACED BY KL005 5-4)

REWORK INSTRUCTIONS FOR M7516-KL004
 FOR M7516-00 REV A4 AND M7516-PA REV A2 NEW BUILD ONLY

COMPONENT DELETES
 4-1 DELETE 13-00299-00 R22.
 4-2 DELETE 21-21672-04 E13.
 4-3 DELETE 21-25710-02 E40.

COMPONENT ADDS
 4-4 ADD 21-21672-07 E13.
 4-5 ADD 90-09185-00 W12.
 4-6 ADD 90-09185-00 W13.
 4-7 ADD 90-09185-00 W14.
 4-8 ADD 90-09185-00 W15.



JUMPERS WITH 0 OHM RESISTORS, INSIDE FOOTPRINT OF E40.

REWORK INSTRUCTIONS FOR M7516-KL005
 FOR M7516-00 REV A3 AND M7516-PA REV A1 UPGRADE

OR
 FOR M7516-00 REV B4 AND M7516-PA REV B2 NEW BUILD

COMPONENT DELETES
 5-1 DELETE 23-304E5-00 E28
 5-2 DELETE 23-305E5-00 E29

COMPONENT ADDS
 5-3 ADD 23-314E5-00 E28 (REPLACED BY KL006 6-3)
 5-4 ADD 23-315E5-00 E29 (REPLACED BY KL006 6-4)

COMPONENT REWORK
 5-5 E10-2 IS TO BE LIFTED FROM THE BOARD.

WIRE ADD (91-05740-55)
 5-6 ADD WIRE FROM LIFTED PIN E10-2 TO E21-11.

FOR M7516-00 REV A3 AND M7516-PA REV A1 UPGRADE ONLY

COMPONENT DELETE
 5-7 DELETE 21-21672-01 E13

COMPONENT ADD
 5-8 ADD 21-21672-07 E13 (REPLACED BY KL009 9-2)

REWORK INSTRUCTIONS FOR M7516-KL006
 FOR M7516-00 REV B3 AND M7516-PA REV B1 UPGRADE

OR
 FOR M7516-00 REV C4 AND M7516-PA REV C2 NEW BUILD

COMPONENT DELETES
 6-1 DELETE 23-314E5-00 E28
 6-2 DELETE 23-315E5-00 E29

COMPONENT ADDS
 6-3 ADD 23-322E5-00 E28 (REPLACED BY KL008 8-3)
 6-4 ADD 23-323E5-00 E29 (REPLACED BY KL008 8-4)

REWORK INSTRUCTIONS FOR M7516-KL008
 FOR M7516-00 REV C3 AND M7516-PA REV C1 AND REV C2 UPGRADE

OR
 FOR M7516-00 REV D4 AND M7516-PA REV D3 NEW BUILD

COMPONENT DELETES
 8-1 DELETE 23-322E5-00 E28
 8-2 DELETE 23-323E5-00 E29

ADD COMPONENTS
 8-3 ADD 23-334E5-00 E28
 8-4 ADD 23-335E5-00 E29

REWORK INSTRUCTIONS FOR M7516-KL009
 FOR M7516-00 REV D3 AND M7516-PA REV D1 AND REV D2 UPGRADE

OR
 FOR M7516-00 REV E4 AND M7516-PA REV E3 NEW BUILD

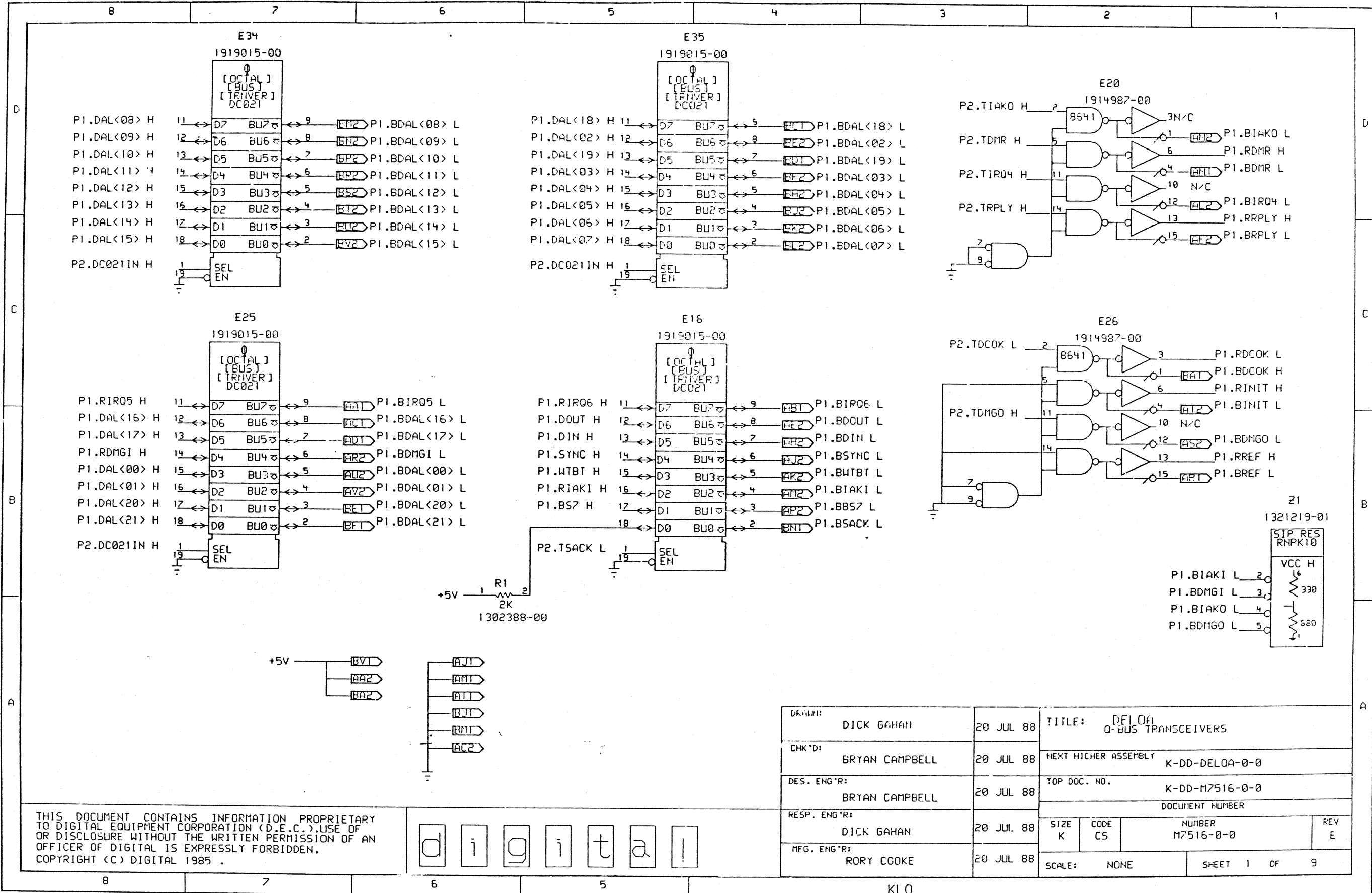
COMPONENT DELETE
 9-1 DELETE 21-21672-07 E13

COMPONENT ADD
 7-2 ADD 21-21672-10 E13

ETCH CUT
 9-3 SIDE 2 AT E18-11.

WIRE ADD (91-05740-55)
 9-4 FROM E18-11 TO E18-7 ROUTE WIRE FROM E18-11 AND TAKE A CLOCKWISE PATH AROUND THE EDGE OF E18 UNTIL IT REACHES E18-7.

Last edited by ::PVIEW 9-MAR-1989 Prev. file: M7516HUA6

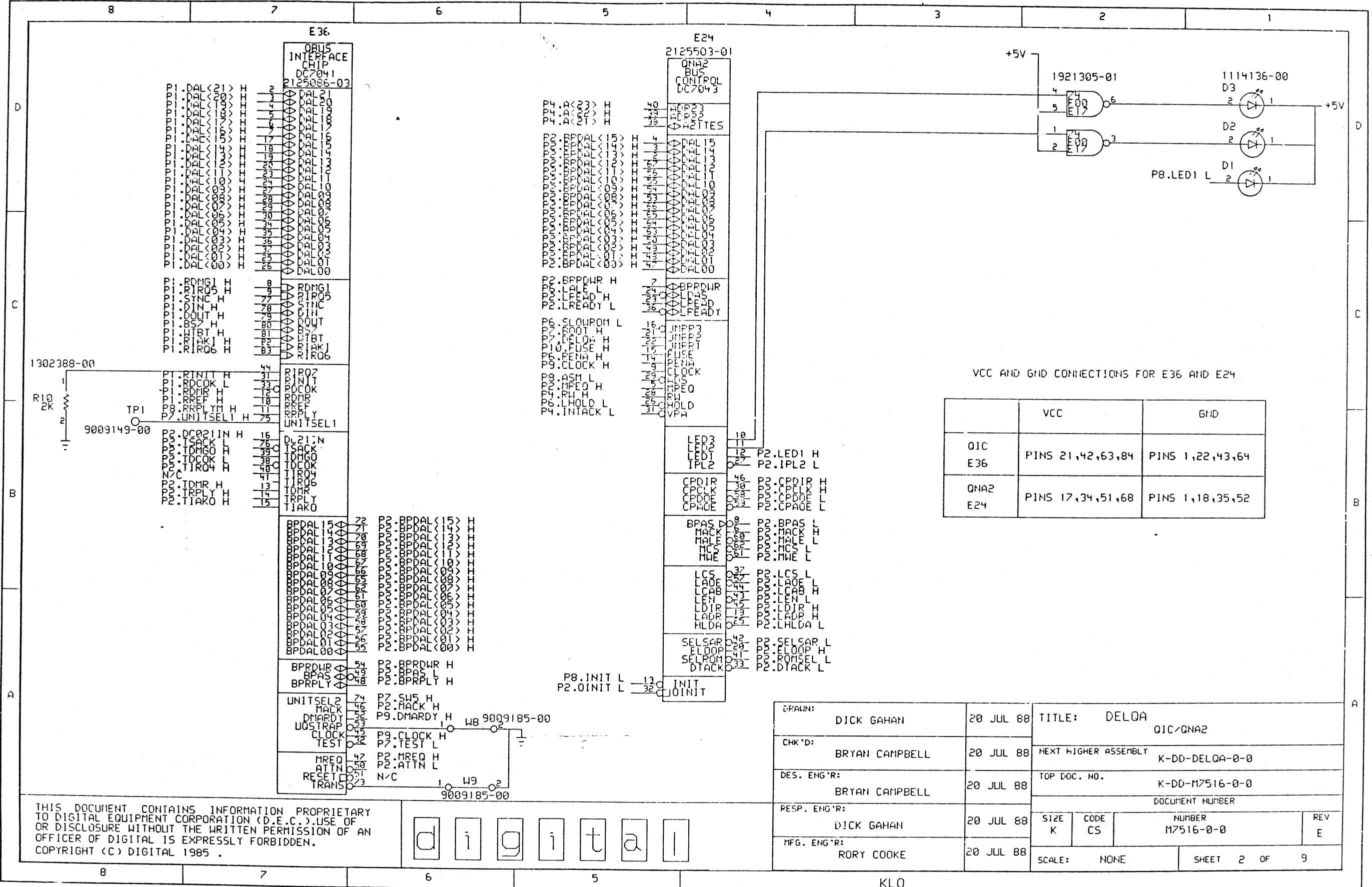


THIS DOCUMENT CONTAINS INFORMATION PROPRIETARY TO DIGITAL EQUIPMENT CORPORATION (D.E.C.). USE OR DISCLOSURE WITHOUT THE WRITTEN PERMISSION OF AN OFFICER OF DIGITAL IS EXPRESSLY FORBIDDEN. COPYRIGHT (C) DIGITAL 1985.

digital

DRW'N:	DICK GAHAN	20 JUL 88	TITLE: DELQA O-BUS TRANSCEIVERS		
CHK'D:	BRYAN CAMPBELL	20 JUL 88	NEXT HIGHER ASSEMBLY K-DD-DELQA-0-0		
DES. ENG'R:	BRYAN CAMPBELL	20 JUL 88	TOP DOC. NO. K-DD-M7516-0-0		
RESP. ENG'R:	DICK GAHAN	20 JUL 88	DOCUMENT NUMBER		
MPG. ENG'R:	RORY COOKE	20 JUL 88	SIZE K	CODE CS	NUMBER M7516-0-0
			SCALE: NONE	SHEET 1 OF 9	

KLO



VCC AND GND CONNECTIONS FOR E36 AND E24

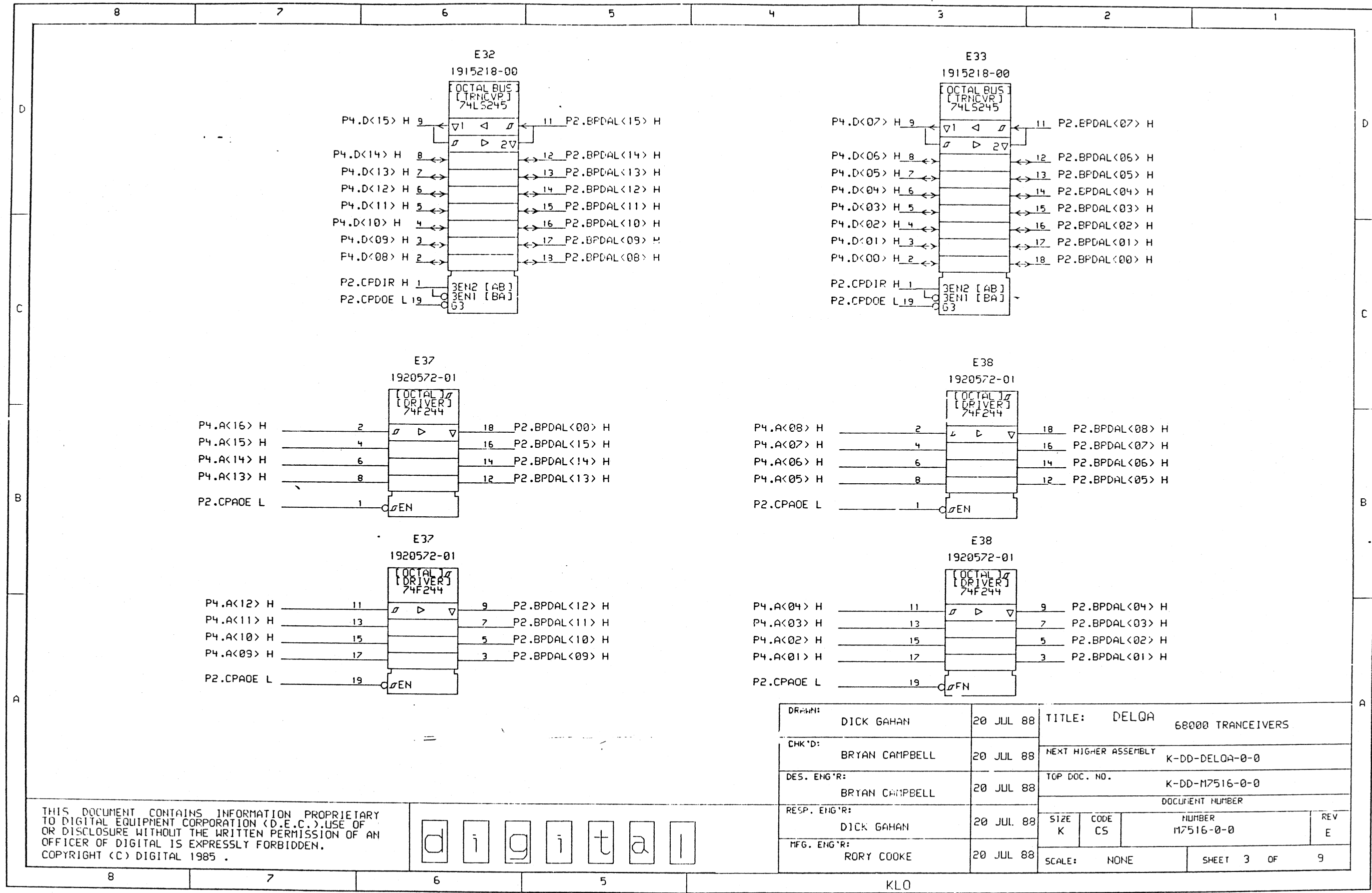
	VCC	GND
OIC E36	PINS 21,42,63,84	PINS 1,22,43,64
GNA2 E24	PINS 17,34,51,68	PINS 1,18,35,52

DRAWN:	DICK GAHAN	20 JUL 88	TITLE: DELOA			
CHK'D:	BRYAN CAMPBELL	20 JUL 88	OIC/GNA2			
DES. ENG'R:	BRYAN CAMPBELL	20 JUL 88	NEXT HIGHER ASSEMBLY K-DD-DELOA-0-0			
RESP. ENG'R:	DICK GAHAN	20 JUL 88	TOP DOC. NO. K-DD-M7516-0-0			
MF6. ENG'R:	RORY COOKE	20 JUL 88	DOCUMENT NUMBER			
			SIZE K	CODE CS	NUMBER M7516-0-0	REV E
			SCALE: NONE		SHEET 2 OF 9	

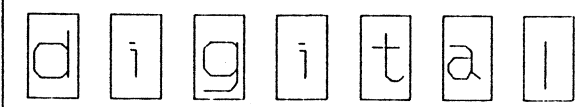
THIS DOCUMENT CONTAINS INFORMATION PROPRIETARY TO DIGITAL EQUIPMENT CORPORATION (D.E.C.). USE OF OR DISCLOSURE WITHOUT THE WRITTEN PERMISSION OF AN OFFICER OF DIGITAL IS EXPRESSLY FORBIDDEN. COPYRIGHT (C) DIGITAL 1985.

digital

KLO

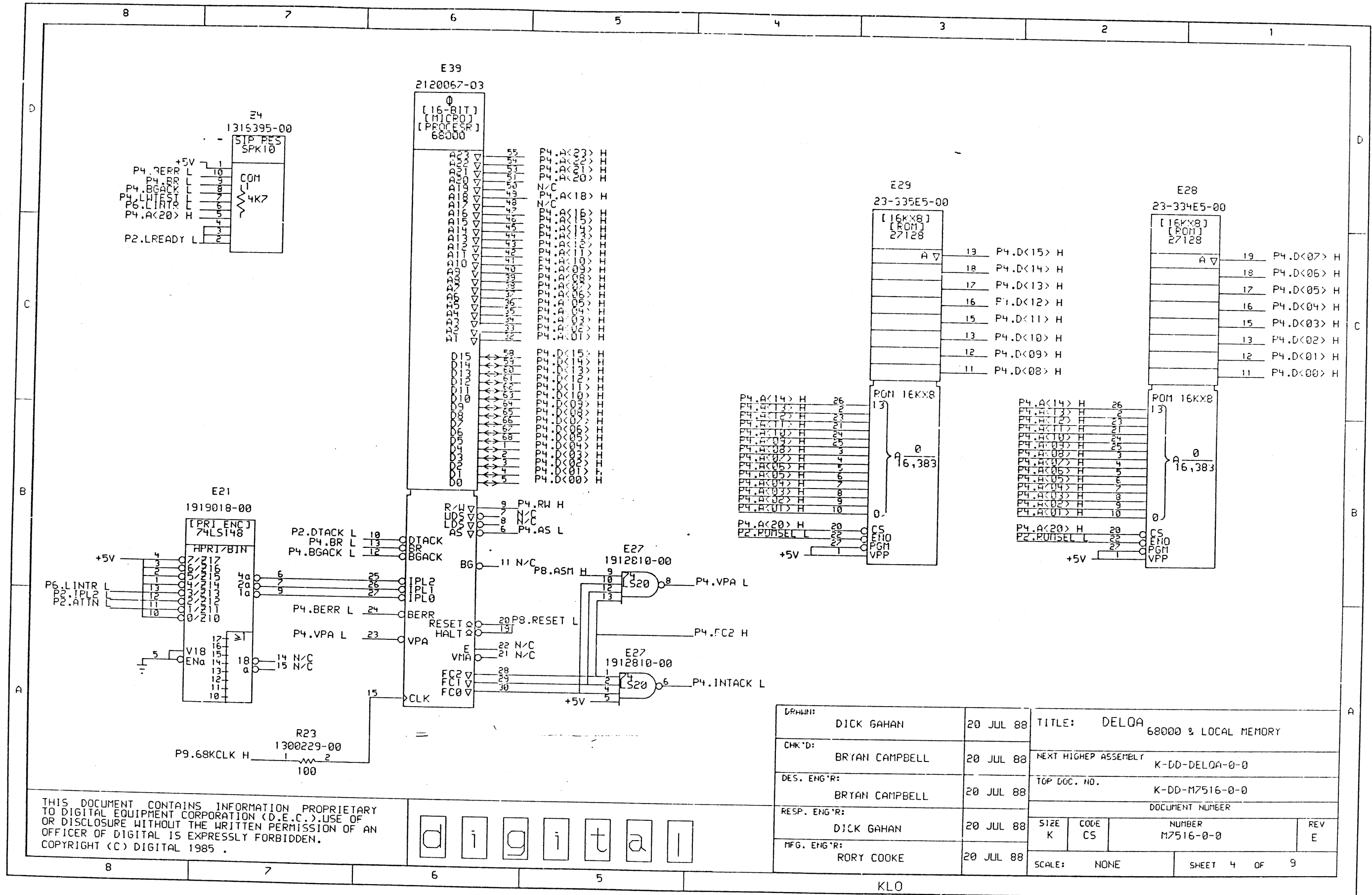


THIS DOCUMENT CONTAINS INFORMATION PROPRIETARY TO DIGITAL EQUIPMENT CORPORATION (D.E.C.). USE OR DISCLOSURE WITHOUT THE WRITTEN PERMISSION OF AN OFFICER OF DIGITAL IS EXPRESSLY FORBIDDEN. COPYRIGHT (C) DIGITAL 1985 .



DRW'N:	DICK GAHAN	20 JUL 88	TITLE: DELQA 68000 TRANCEIVERS		
CHK'D:	BRYAN CAMPBELL	20 JUL 88	NEXT HIGHER ASSEMBLY K-DD-DELOA-0-0		
DES. ENG'R:	BRYAN CAMPBELL	20 JUL 88	TOP DOC. NO. K-DD-M7516-0-0		
			DOCUMENT NUMBER		
RESP. ENG'R:	DICK GAHAN	20 JUL 88	SIZE K	CODE CS	NUMBER M7516-0-0
MFG. ENG'R:	RORY COOKE	20 JUL 88			REV E
			SCALE:	NONE	SHEET 3 OF 9

KLO

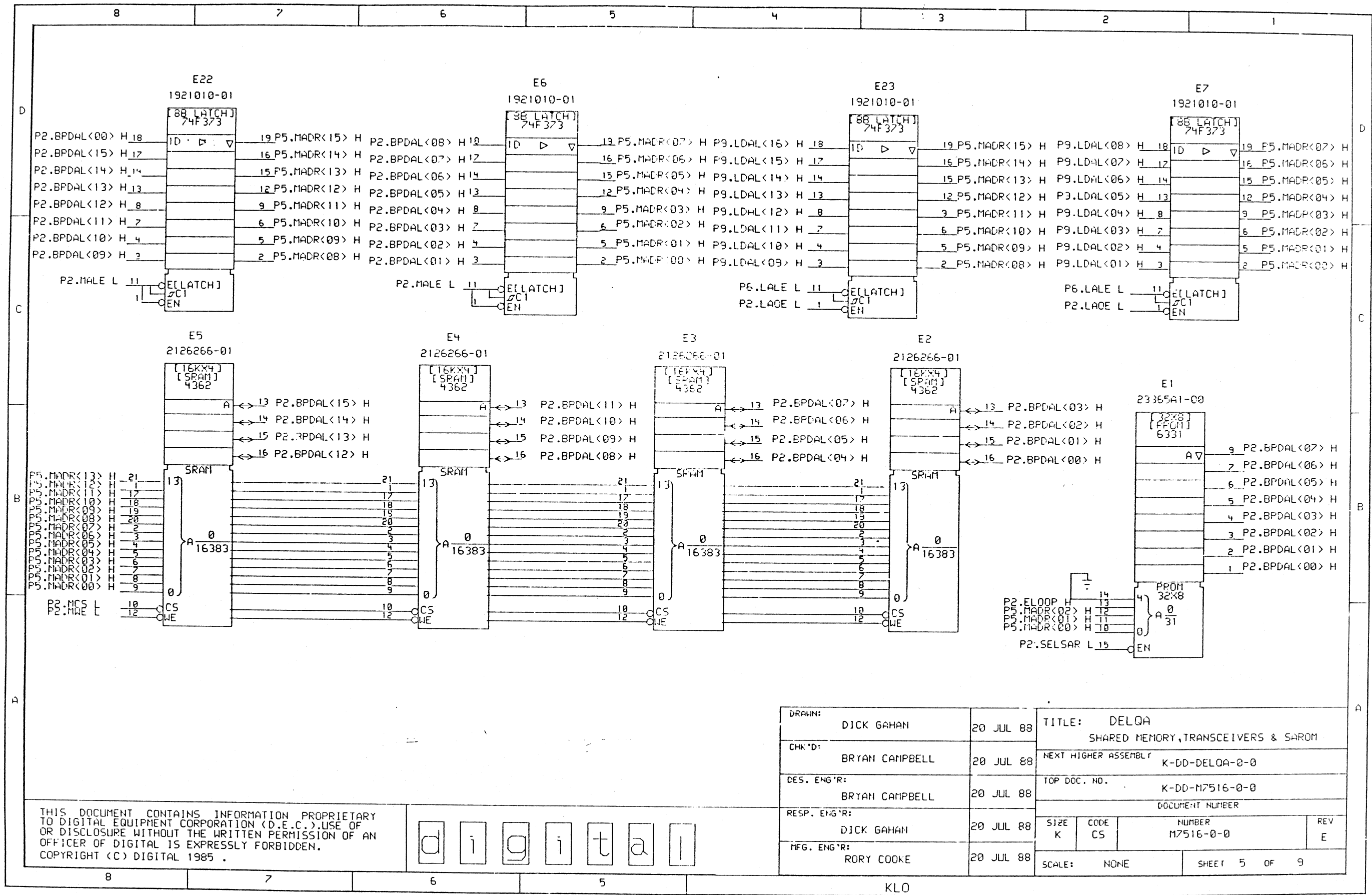


THIS DOCUMENT CONTAINS INFORMATION PROPRIETARY TO DIGITAL EQUIPMENT CORPORATION (D.E.C.). USE OF OR DISCLOSURE WITHOUT THE WRITTEN PERMISSION OF AN OFFICER OF DIGITAL IS EXPRESSLY FORBIDDEN. COPYRIGHT (C) DIGITAL 1985.

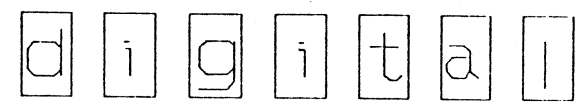
digital

DRAWN:	DICK GAHAN	20 JUL 88	TITLE:	DELOA 68000 & LOCAL MEMORY		
CHK'D:	BRYAN CAMPBELL	20 JUL 88	NEXT HIGHER ASSEMBLY	K-DD-DELOA-0-0		
DES. ENG'R:	BRYAN CAMPBELL	20 JUL 88	TOP DOC. NO.	K-DD-M7516-0-0		
RESP. ENG'R:	DICK GAHAN	20 JUL 88	DOCUMENT NUMBER			
MFG. ENG'R:	RORY COOKE	20 JUL 88	SIZE	CODE	NUMBER	REV
			K	CS	M7516-0-0	E
			SCALE:	NONE	SHEET 4 OF 9	

KLO

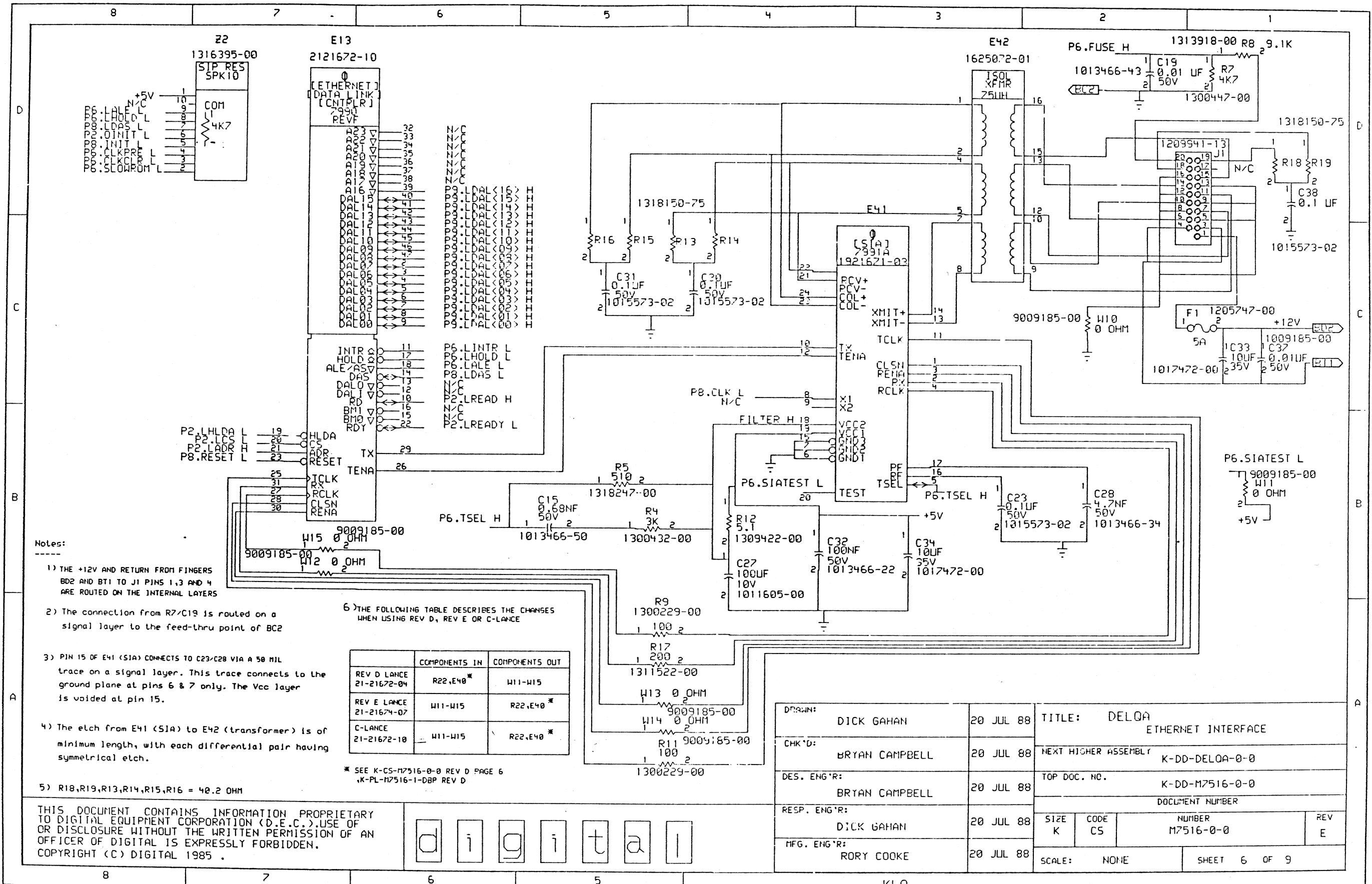


THIS DOCUMENT CONTAINS INFORMATION PROPRIETARY TO DIGITAL EQUIPMENT CORPORATION (D.E.C.). USE OF OR DISCLOSURE WITHOUT THE WRITTEN PERMISSION OF AN OFFICER OF DIGITAL IS EXPRESSLY FORBIDDEN. COPYRIGHT (C) DIGITAL 1985 .



DRAWN:	DICK GAHAN	20 JUL 88	TITLE: DELOA			
			SHARED MEMORY, TRANSCIEVERS & SAROM			
CHK'D:	BRYAN CAMPBELL	20 JUL 88	NEXT HIGHER ASSEMBLY K-DD-DELOA-0-0			
DES. ENG'R:	BRYAN CAMPBELL	20 JUL 88	TOP DOC. NO. K-DD-M7516-0-0			
			DOCUMENT NUMBER			
RESP. ENG'R:	DICK GAHAN	20 JUL 88	SIZE K	CODE CS	NUMBER M7516-0-0	REV E
MFG. ENG'R:	RORY COOKE	20 JUL 88	SCALE: NONE		SHEET 5 OF 9	

KLO



Notes:

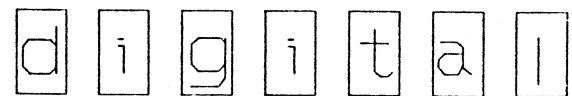
- 1) THE +12V AND RETURN FROM FINGERS B02 AND B71 TO J1 PINS 1,3 AND 4 ARE ROUTED ON THE INTERNAL LAYERS
- 2) The connection from R7/C19 is routed on a signal layer to the feed-thru point of BC2
- 3) PIN 15 OF E41 (SIA) CONNECTS TO C23/C28 VIA A 50 MIL trace on a signal layer. This trace connects to the ground plane at pins 6 & 7 only. The Vcc layer is voided at pin 15.
- 4) The etch from E41 (SIA) to E42 (transformer) is of minimum length, with each differential pair having symmetrical etch.
- 5) R18,R19,R13,R14,R15,R16 = 40.2 OHM

6) THE FOLLOWING TABLE DESCRIBES THE CHANGES WHEN USING REV D, REV E OR C-LANCE

	COMPONENTS IN	COMPONENTS OUT
REV D LANCE 21-21672-04	R22,E40*	W11-W15
REV E LANCE 21-21674-07	W11-W15	R22,E40*
C-LANCE 21-21672-10	W11-W15	R22,E40*

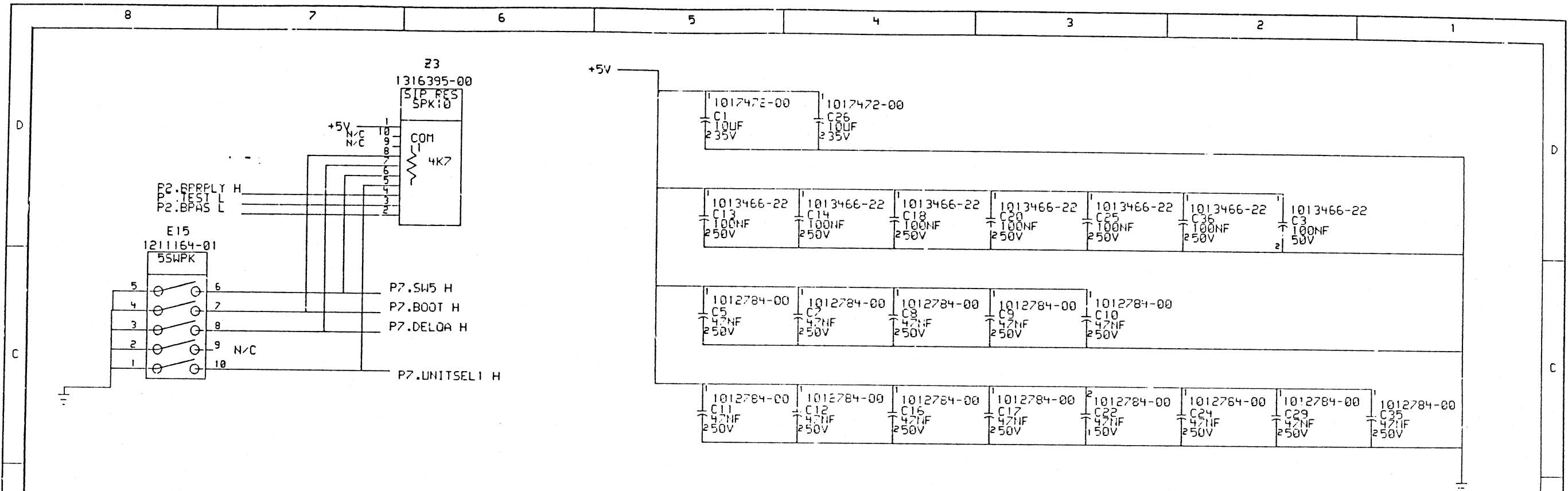
* SEE K-CS-M7516-0-0 REV D PAGE 6
K-PL-M7516-1-DBP REV D

THIS DOCUMENT CONTAINS INFORMATION PROPRIETARY TO DIGITAL EQUIPMENT CORPORATION (D.E.C.). USE OR DISCLOSURE WITHOUT THE WRITTEN PERMISSION OF AN OFFICER OF DIGITAL IS EXPRESSLY FORBIDDEN. COPYRIGHT (C) DIGITAL 1985 .



DRAWN:	DICK GAHAN	20 JUL 88	TITLE:	DELOA ETHERNET INTERFACE
CHK'D:	BRYAN CAMPBELL	20 JUL 88	NEXT HIGHER ASSEMBLY	K-DD-DELOA-0-0
DES. ENG'R:	BRYAN CAMPBELL	20 JUL 88	TOP DOC. NO.	K-DD-M7516-0-0
RESP. ENG'R:	DICK GAHAN	20 JUL 88	DOCUMENT NUMBER	
MFG. ENG'R:	RORY COOKE	20 JUL 88	SIZE	K
			CODE	CS
			NUMBER	M7516-0-0
			REV	E
			SCALE:	NONE
			SHEET	6 OF 9

KLO



MODULE WILL SHIP WITH ALL SWITCHES CLOSED

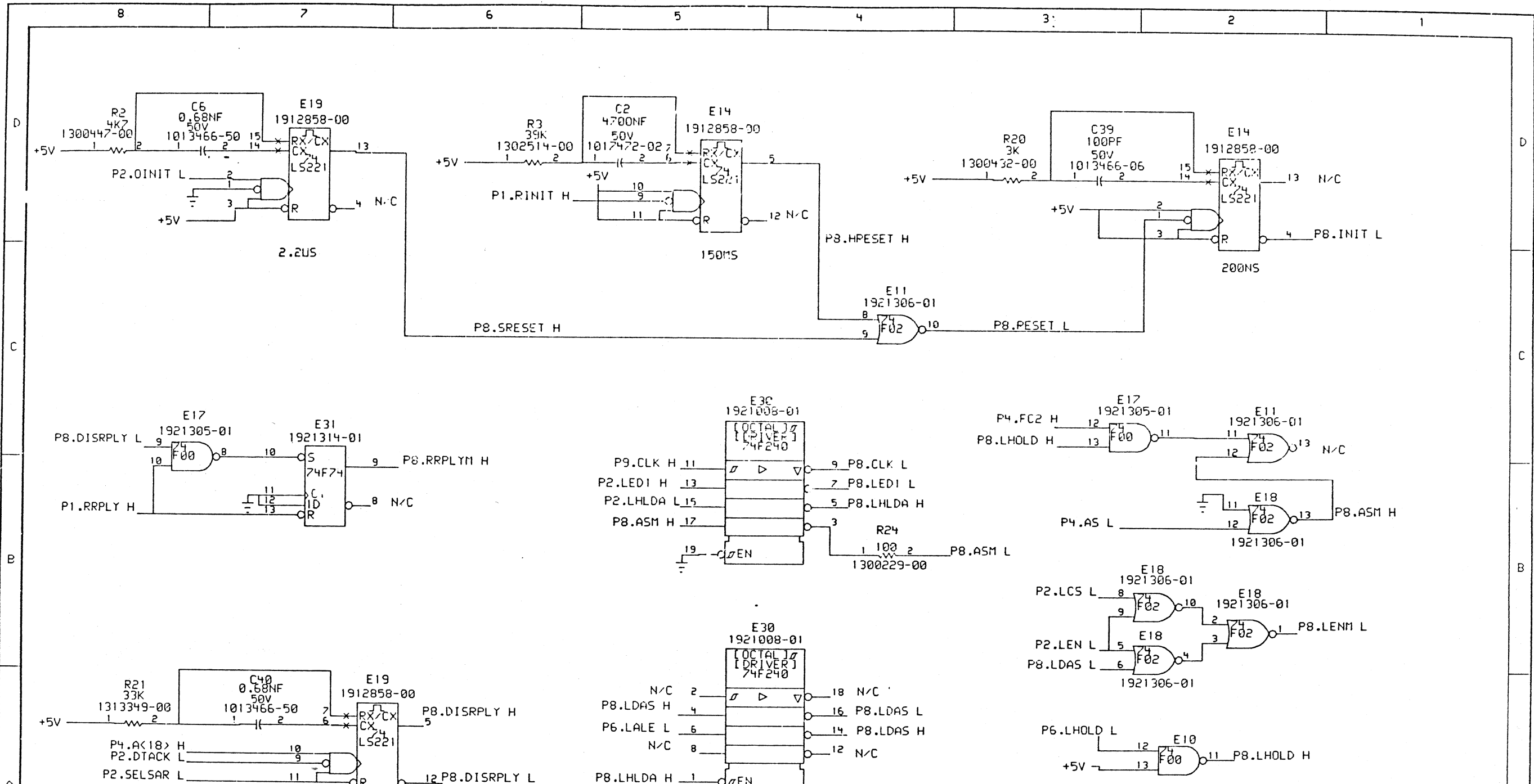
Switch	Open	Closed		
SW1	Base address 174460	Base address 174440		
SW5	Reserved	Reserved		
SW3 & SW4	SW3	SW4		
	Open	Open	DEQNA mode	sanity timer enabled
	Open	Closed	DEQNA mode	sanity timer disabled
	Closed	Open	NORMAL mode	remote boot enabled
	Closed	Closed	NORMAL mode	remote boot disabled

THIS DOCUMENT CONTAINS INFORMATION PROPRIETARY TO DIGITAL EQUIPMENT CORPORATION (D.E.C.). USE OF OR DISCLOSURE WITHOUT THE WRITTEN PERMISSION OF AN OFFICER OF DIGITAL IS EXPRESSLY FORBIDDEN. COPYRIGHT (C) DIGITAL 1985.

digital

DRWN:	DICK GAHAN	20 JUL 88	TITLE: DELQA SWITCHES, DECOUPLING CAPS			
CHK'D:	BRYAN CAMPBELL	20 JUL 88	NEXT HIGHER ASSEMBLY K-DD-DELOA-0-0			
DES. ENG'R:	BRYAN CAMPBELL	20 JUL 88	TOP DOC. NO. K-DD-M7516-0-0			
RESP. ENG'R:	DICK GAHAN	20 JUL 88	DOCUMENT NUMBER			
MFG. ENG'R:	RORY COOKE	20 JUL 88	SIZE K	CODE CS	NUMBER M7516-0-0	REV E
SCALE: NONE			SHEET 7 OF 9			

KLO

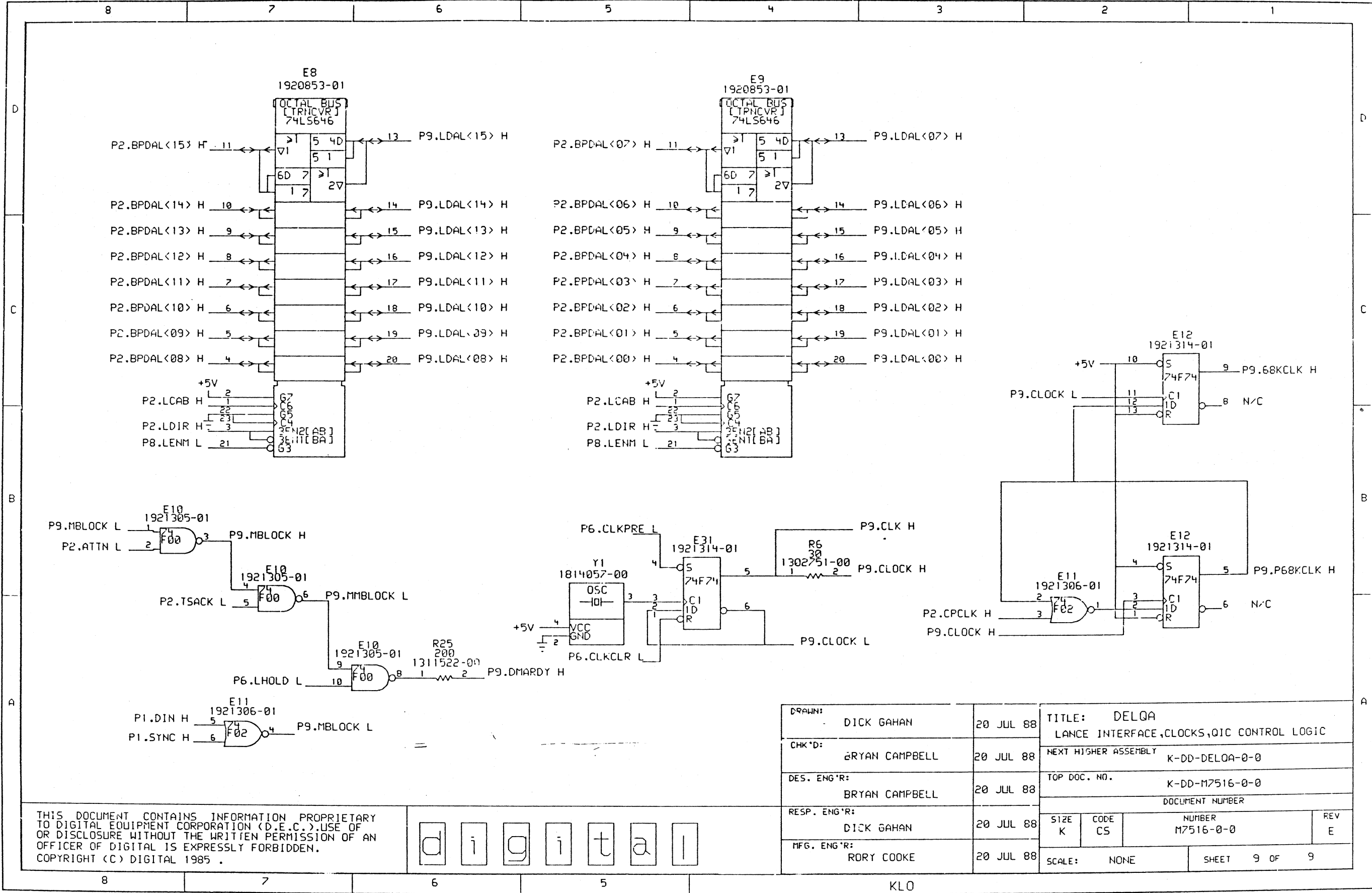


DRWN:	DICK GAHAN	20 JUL 88	TITLE: DELOA RESET & LANCE CONTROL LOGIC		
CHK'D:	BRYAN CAMPBELL	20 JUL 88	NEXT HIGHER ASSEMBLY K-DD-DELOA-0-0		
DES. ENG'R:	BRYAN CAMPBELL	20 JUL 88	TOP DOC. NO. K-DD-M7516-0-0		
			DOCUMENT NUMBER		
RESP. ENG'R:	DICK GAHAN	20 JUL 88	SIZE K	CODE CS	NUMBER M7516-0-0
MPG. ENG'R:	RORY COOKE	20 JUL 88	REV E		
			SCALE: NONE	SHEET 8 OF 9	

THIS DOCUMENT CONTAINS INFORMATION PROPRIETARY TO DIGITAL EQUIPMENT CORPORATION (D.E.C.). USE OF OR DISCLOSURE WITHOUT THE WRITTEN PERMISSION OF AN OFFICER OF DIGITAL IS EXPRESSLY FORBIDDEN. COPYRIGHT (C) DIGITAL 1985.

digital

KLO



THIS DOCUMENT CONTAINS INFORMATION PROPRIETARY TO DIGITAL EQUIPMENT CORPORATION (D.E.C.). USE OF OR DISCLOSURE WITHOUT THE WRITTEN PERMISSION OF AN OFFICER OF DIGITAL IS EXPRESSLY FORBIDDEN. COPYRIGHT (C) DIGITAL 1985.

digital

DRAWN:	DICK GAHAN	20 JUL 88	TITLE: DELQA LANCE INTERFACE, CLOCKS, QIC CONTROL LOGIC		
CHK'D:	BRYAN CAMPBELL	20 JUL 88	NEXT HIGHER ASSEMBLY K-DD-DELOA-0-0		
DES. ENG'R:	BRYAN CAMPBELL	20 JUL 88	TOP DOC. NO. K-DD-M7516-0-0		
RESP. ENG'R:			DOCUMENT NUMBER		
DICK GAHAN	20 JUL 88	SIZE K	CODE CS	NUMBER M7516-0-0	REV E
RORY COOKE	20 JUL 88	SCALE: NONE		SHEET 9 OF 9	

KLO

LINE ITEM	TOP DOCUMENT	PART NUMBER	MIN REV	DESCRIPTION	QTY	PER PA	VAR/REV	REFERENCE DESIGNATORS
					00 E5	PA E4		
1	1	K-MD-5017646-1-0		CIRCUIT DRILL & ETCH BOARD	1	1		
2	2			100 MFD 10V +/-10% SOL	1	1		C27
3	3			0.047MFD 50V +80/-20% Z5U C	13	13		C5,C7-C12,C16,C17,C22,C24,C29, CONT C35
4	4			100 PFD 50V +/- 5% NP0 C	1	1		C39
5	5			0.10 MFD 50V +80/-20% Z5U C	8	8		C3,C13,C14,C18,C20,C25,C32,C36
6	6			4700 PFD 50V +/- 5% X7R C	1	1		C28
7	7			0.010MFD 50V +/- 5% X7R C	2	2		C19,C37
8	8			680 PFD 50V +/- 5% NP0 C	3	3		C6,C15,C40
9	9			0.10 MFD 50V +/-10% X7R C	4	4		C23,C30,C31,C38
10	10			10 MFD 35V +75/-10% 85	4	4		C1,C26,C33,C34
11	11			4.7 MFD 50V +75/-10% 85	1	1		C2
12	12			LED 16MA 5V	3	3		D1-D3
13	13			FUSE PICO 5.0 A 125V AXIAL LEA	1	1		F1
14	14	SEE NOTE # 14		PCB,HEADER LATCH	1	1		
15	15	SEE NOTE # 15		PCB,HEADER LATCH	1	1		
16	16			PCB,HEADER 19PIN(2X10).100CC 90D	1	1		J1
17	17			SW,DIP 5POS/1PST 5VDC100MA F	1	1		E15
18	18			SKT,IC 16PIN DIP TIN SOLD	1	1		XE1
19	19			SKT,IC 28PIN DIP TIN SOLD	2	2		XE28,XE29
20	20			100.0 .25 W 5.0 % CF	4	4		R9,R11,R23,R24
21	21			3.0 K .25 W 5.0 % CF	2	2		R4,R20
22	22			4.70 K .25 W 5.0 % CF	2	2		R2,R7
23	23			2.0 K .25 W 5.0 % CF	2	2		R1,R10
24	24			39.0 K .25 W 5.0 % CF	1	1		R3
25	25			30.0 .25 W 5.0 % CF	1	1		R6
26	26			5.10 .25 W 5.0 % CF	1	1		R12
27	27			200.0 .25 W 5.0 % CF	2	2		R17,R25
28	28			33.0 K .25 W 5.0 % CF	1	1		R21
29	29			9.10 K .25 W 5.0 % CF	1	1		R8

REVISION HISTORY		KPL MODULE FORMAT		SECTION A OF A		DRN: K. ST. THOMAS		DIGITAL	
ENG	ECO NUMBER	REV	SECTION/VARIATION INDEX		DATE: 26-APR-89		TITLE PARTS LIST		
JP	INITIAL	A	[A] 00,PA	[M]	CHK'D: J. PELLETIER		DELQA PARTS LIST		
			[B]	[N]	DATE: 02-FEB-89		DOCUMENT NUMBER		
			[C]	[P]	DES.ENG: D. GAHAN		SIZE CODE NUMBER REV		
			[D]	[Q]	DATE: 13-JUN-88		K PL M7516-0-DBP1 A		
			[E]	[R]	RESP.ENG.: J. PELLETIER		RELEASE DATE: 04-MAY-89		
			[F]	[S]	DATE: 02-FEB-89		RELEASE STATUS: RELEASED		
			[H]	[T]	MFG.ENG: E. BLUM		TOP DOCUMENT NUMBER: K-DD-M7516-0-0		
			[J]	[V]	DATE: 02-FEB-89		EDIT # 12		
			[K]	[W]	BASIC PART NUMBER: M7516		ASSEMBLY NUMBER: K-UA-M7516-0-1		
			[L]	[Y]	FILE NAME: M7516A1.PLS				

"THIS DRAWING AND THE SPECIFICATIONS CONTAINED HEREIN ARE CONFIDENTIAL AND PROPRIETARY. THEY ARE THE PROPERTY OF DIGITAL EQUIPMENT CORPORATION AND SHALL NOT BE REPRODUCED OR COPIED OR USED IN WHOLE OR IN PART AS THE BASIS FOR THE MANUFACTURE OR SALE OF ITEMS WITHOUT WRITTEN PERMISSION. THIS IS AN UNPUBLISHED WORK PROTECTED UNDER THE FEDERAL COPYRIGHT LAWS."

LINE	ITEM	TOP DOCUMENT	PART NUMBER	MIN REV	DESCRIPTION	QTY	PER PA	VAR/REV	REFERENCE DESIGNATORS
				REV		00	PA		
						E5	E4		
30	30		13-16395-00		R. NET 4.7K- 9 2.0	3	3		Z2-Z4
31	31		13-18150-75		40.20 .25 W 1.0 % RN55D-F10	6	6		R13-R16,R18,R19
32	32		13-18247-00		510.0 .25 W 5.0 % CF	1	1		R5
33	33		13-21219-01		R. NET 330.0 - 4 680.0 - 4 2.0	1	1		Z1
34	34		16-25072-01		XFMR,75UH	1	1		E42
35	35		18-14057-00		OSCILLATOR, XTAL 40.000 MHZ	1	1		Y1
36	36		19-12810-00		LS20 NAND GATE-DUAL 4IN	1	1		E27
37	37		19-12858-00	C	LS221 ONE SHOT-DUAL,SCHMIT	2	2		E14,E19
38	38		19-14987-00		8641-2 TRANSCEIVER,UNIBUS,	2	2		E20,E26
39	39		19-15218-00		LS245 TRANSCEIVER,BUS,OCTA	2	2		E32,E33
40	40		19-19015-00	DC	021 BUS TRANSCEIVER,20PI	4	4		E16,E25,E34,E35
41	41		19-19018-00	A	LS148 PRIORITY ENCODER,8 T	1	1		E21
42	42		19-20572-01		74F244 BUFFER/LINE DRIVER,0	2	2		E37,E38
43	43		19-20853-01		LS646 BUS TRANSCEIVER/REGI	2	2		E8,E9
44	44		19-21008-01		74F240 BUFFER/LINE DRIVER,I	1	1		E30
45	45		19-21010-01		74F373 OCTAL TRANSPARENT LA	4	4		E6,E7,E22,E23
46	46		19-21305-01		74F00 NAND GATE,QUAD,2-IN	2	2		E10,E17
47	47		19-21306-01		74F02 NOR GATE,QUAD,2-IN	2	2		E11,E18
48	48		19-21314-01		74F74 FF-D,DUAL,POS.,EDGE	2	2		E12,E31
49	49		19-21671-03		INTERFACE,SERIAL ADAPTOR 300MIL	1	1		E41
50	50		21-20067-03	A	68000 MICROPROCESSOR 16BIT	1	1		E39
51	51	SEE NOTE # 51	21-21672-10	A	DC7083 CONTROLLER,LOCAL AREA NET	1	1		E13
52	52		21-25086-03	D	DC7041DQIC GATE ARRAY 6K 2U 84P	1	1		E36
53	53		21-25503-01	B	DATA PATH CONTROLLER	1	1		E24
54	55		21-26266-01		RAM STATIC 16KX4 55N	4	4		E2-E5
55	56		23-334E5-00	A	E5-04 U	1	1		E28
56	57		23-335E5-00	A	E5-04 U	1	1		E29
57	58		23-365A1-00		A1-09	1	1		E1
58	59	SEE NOTE # 58	90-06732-00		EYELET,ROLLED 0.1210DX0.219	2	-		
59	60		90-08337-06		HANDLE, FLIP CHIP, MAGENTA	1	-		
60	61		90-09149-00		PIN,STAKNG 0.0250DX0.345LG SQUAR	1	1		TP1
61	62		90-09185-00		JUMPER, WIRE, INSULATED, BLACK B	4	4		W8-W11
62	63		91-07301-11		*** THIS ITEM IS NOT USED ***	-	-		
63	64		91-05740-55		*** THIS ITEM IS NOT USED ***	-	-		
64	65		74-33507-01	A	PANEL BLANK DUAL	-	1		
65	66		74-33866-01	A	INSULATOR,STRIP	-	1		
66	67		74-33867-01	A	EXTENDER,LIGHT	-	1		
67	68		74-34429-01		CARRIER,LABEL	-	1		
68	69		36-25542-02		LABEL,DEBET ETHERNET ADDRESS .6	-	1		
69	70		36-26883-53		LABEL,MODULE NUMBER,S-BOX,7516-P	-	1		
70	71		37-00931-01		PKG MODULE 1 IN. HEIGHT CUS	-	1		
71	72		90-00024-01		EYELET,ROLLED 0.1210DX0.192	-	4		
72	73	SEE NOTE # 72	90-09701-00		SCREW,SEMS PAN PHIL 6-	-	2		
73	74		90-08340-00		CLIP,CABLE HARNESS W/ADH.BACK	-	2		
74	75		90-09643-02		SCREW,SEMS PAN PHIL 4-	-	2		
75	76		90-06557-00		NUT,HEX EXT TOOTH LCKWSHR 4-40	-	1		
76	77		70-22786-0K		CABLE BULKHEAD ASSY	-	1		
77	78		70-23742-03		BULKHEAD, FLUSHED ASSY	-	1		

D	I	G	I	T	A	L	TITLE	SECTION A	OF A	SIZE	CODE	DOCUMENT NUMBER	REV
							DELQA PARTS LIST			K	PL	M7516-0-DBP1	A

LINE ITEM	TOP DOCUMENT	PART NUMBER	MIN REV	DESCRIPTION	QTY PER 00 PA E5 E4	VAR/REV	REFERENCE DESIGNATORS
-----------	--------------	-------------	------------	-------------	---------------------------	---------	-----------------------

14 NOTE: FIT TO J1

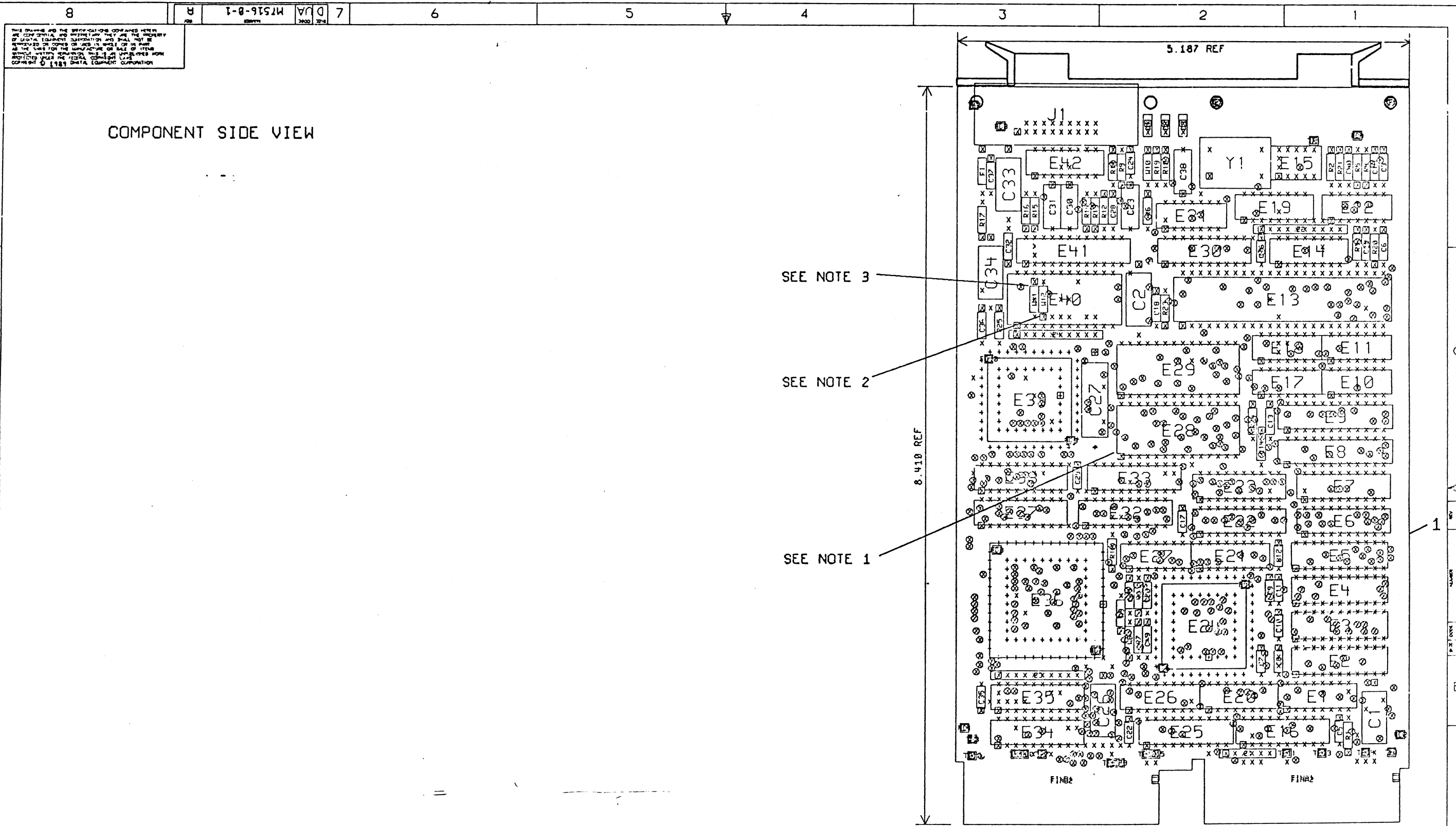
15 NOTE: FIT TO J1

51 NOTE: 21-21672-09 MAY BE USED IN PLACE OF 21-21672-10 AT MANUFACTURE'S DISCRETION.

58 NOTE: 90-00024-01 MAY BE USED IN PLACE OF 90-06732-00 AT MANUFACTURE'S DISCRETION.

72 NOTE: W11 NOT NORMALLY INSERTED.

D	I	G	I	T	A	L	TITLE	SECTION A OF A	SIZE	CODE	DOCUMENT NUMBER	REV
							DELQA PARTS LIST		K	PL	M7516-0-DBP1	A



THIS DRAWING AND THE SPECIFICATIONS CONTAINED HEREIN ARE CONFIDENTIAL AND PROPRIETARY. THEY ARE THE PROPERTY OF DELTA EQUIPMENT CORPORATION AND SHALL NOT BE REPRODUCED OR COPIED IN WHOLE OR IN PART AS THE BASIS FOR THE MANUFACTURE OR SALE OF ITEMS IDENTICAL WITHIN THE SCOPE OF THE PATENT RIGHTS PROTECTED UNDER THE FEDERAL COPYRIGHT LAW. COPYRIGHT © 1981 DELTA EQUIPMENT CORPORATION

COMPONENT SIDE VIEW

CHK	DRAWN BY	ENGINEER	CHANGE NO	DATE	REV
RS	A. KRAWIECKI	R. BLANCHETTE	0001	9/81	K

CHK	DRAWN BY	ENGINEER	CHANGE NO	DATE	REV

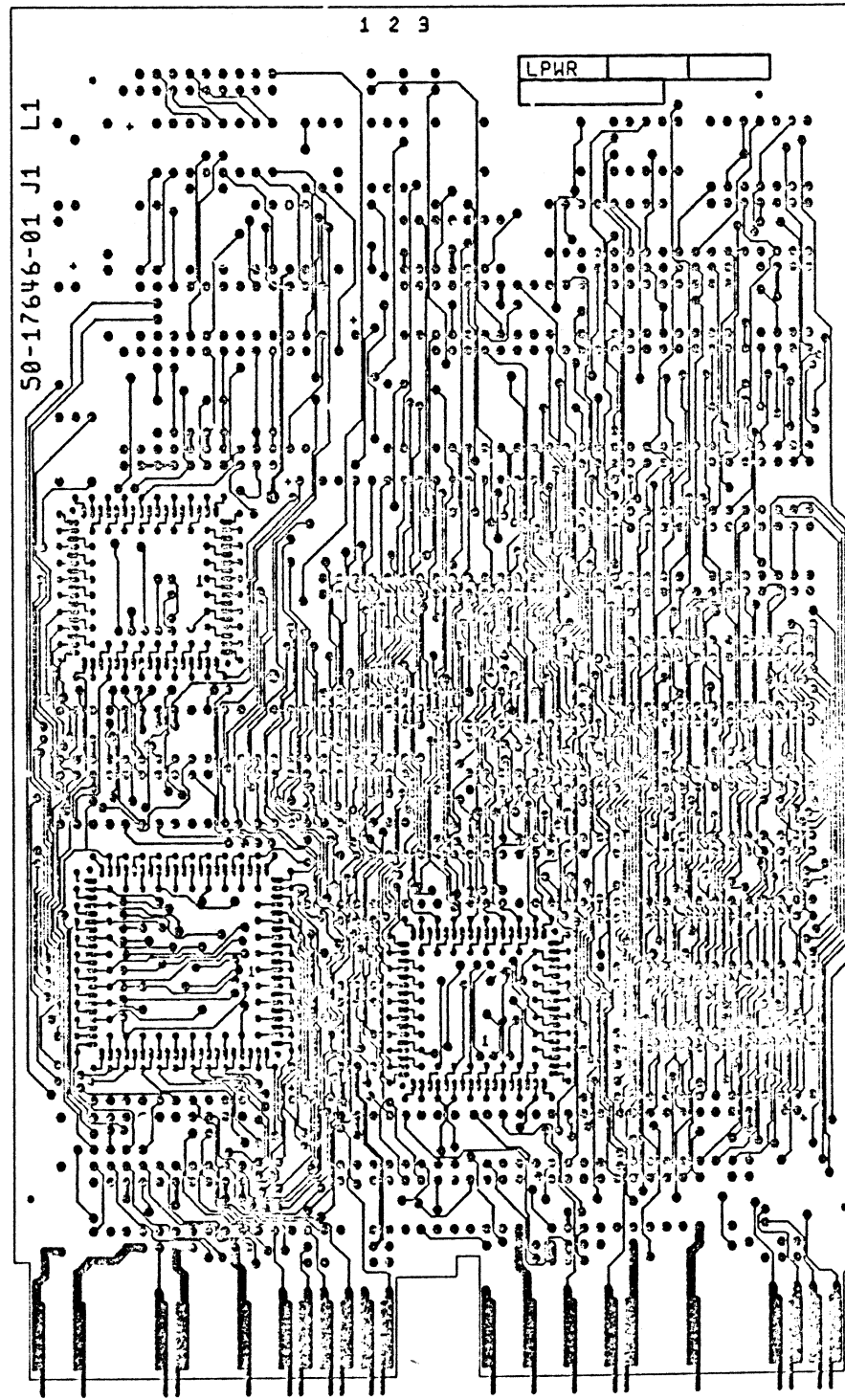
NOTES
 1. THE FOLLOWING COMPONENTS ARE FITTED ON SOCKETS: E1, E28, E29.
 2. W12 IS IN THE ETCH AND NOT A PART, NOR IS IT INSTALLED.
 3. W11 IS NORMALLY OUT.

ETCH REV. J1

SIGNATURES		DATE	TITLE
DRAWN A. KRAWIECKI		27-28-81	
CHECKED S. CHLYPAKKA		27-28-81	
MECH ENG J.C. TREMELAY		27-28-81	
PROJ ENG J. PELLETIER		27-28-81	
PROO R. COOKE		27-28-81	
SCALE 2/1			
SHEET 1 OF 3			
TOP DOC NO K-00-M7516-2-8			

THIS DRAWING AND THE SPECIFICATIONS CONTAINED HEREIN ARE CONFIDENTIAL AND PROPRIETARY. THEY ARE THE PROPERTY OF DATA EQUIPMENT CORPORATION AND SHALL NOT BE REPRODUCED OR COPIED OR USED IN WHOLE OR IN PART AS THE BASIS FOR THE MANUFACTURE OR SALE OF ITEMS WITHOUT WRITTEN PERMISSION FROM THE UNDERSIGNED WORK PROTECTED UNDER THE FEDERAL COPYRIGHT LAW. COPYRIGHT © 1981 DATA EQUIPMENT CORPORATION

COMPONENT SIDE 1 VIEW

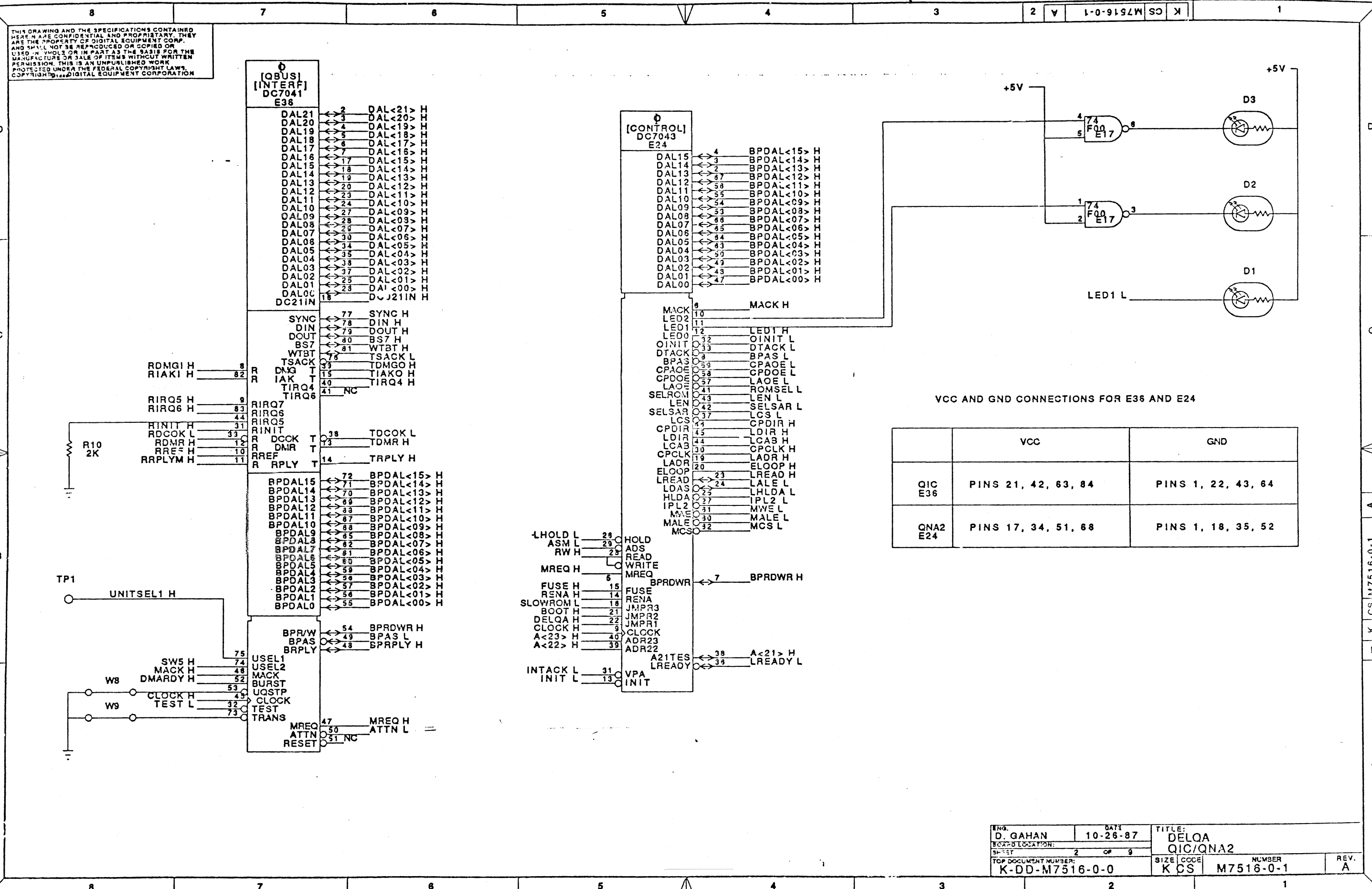


TITLE UNIT ASSEMBLY DRAWING

DOCUMENT NUMBER		REV
SIZE CODE	NUMBER	
D UA	M7516-0-1	A
SCALE	SHEET 2 OF 3	
2/1		

CSS/MKD | WO# 2329

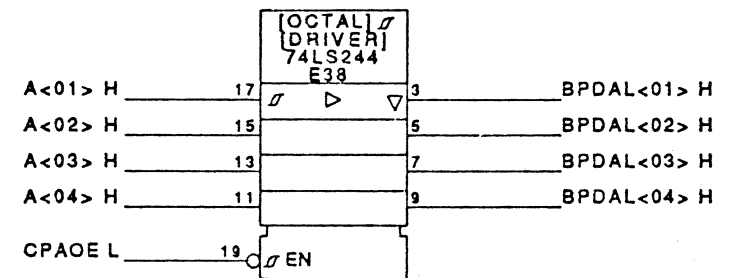
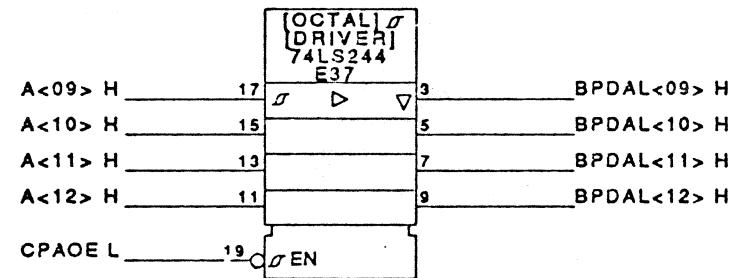
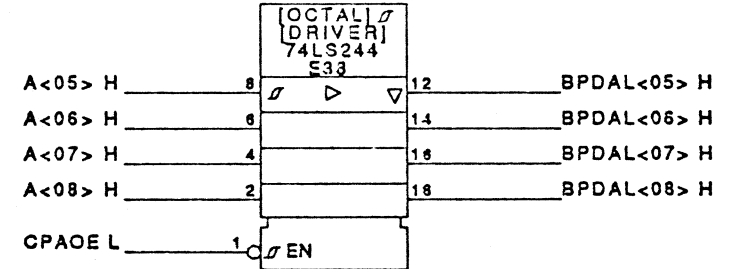
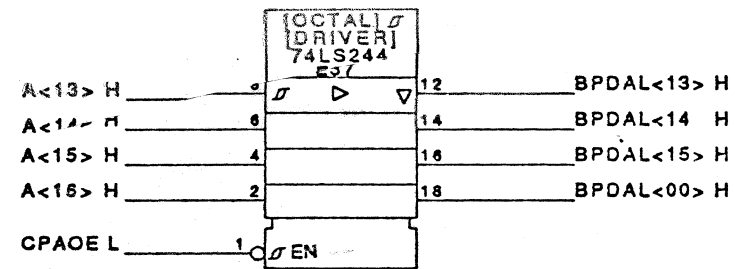
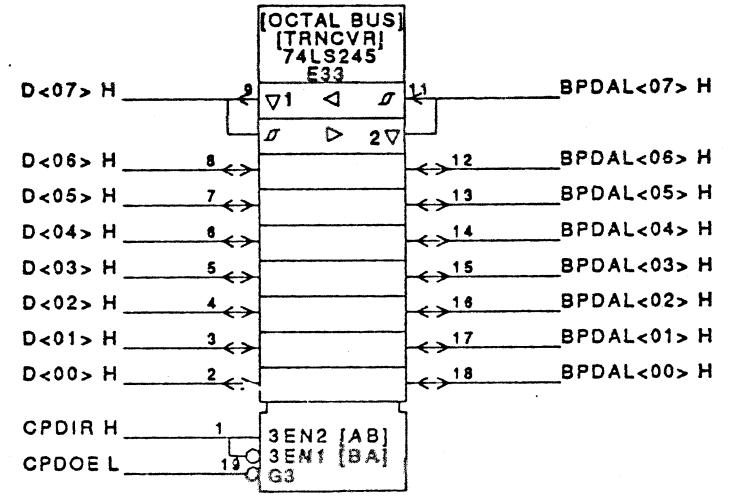
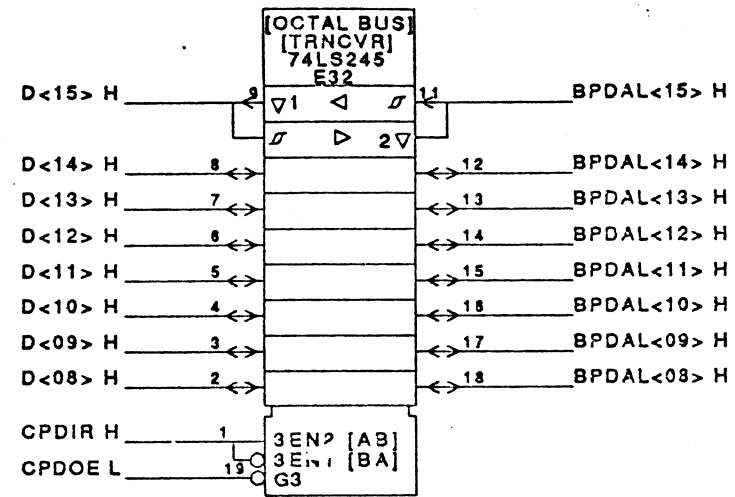
THIS DRAWING AND THE SPECIFICATIONS CONTAINED HEREIN ARE CONFIDENTIAL AND PROPRIETARY. THEY ARE THE PROPERTY OF DIGITAL EQUIPMENT CORP. AND SHALL NOT BE REPRODUCED OR COPIED OR USED IN WHOLE OR IN PART AS THE BASIS FOR THE MANUFACTURE OR SALE OF ITEMS WITHOUT WRITTEN PERMISSION. THIS IS AN UNPUBLISHED WORK PROTECTED UNDER THE FEDERAL COPYRIGHT LAWS. COPYRIGHT © 1977 DIGITAL EQUIPMENT CORPORATION



VCC AND GND CONNECTIONS FOR E36 AND E24

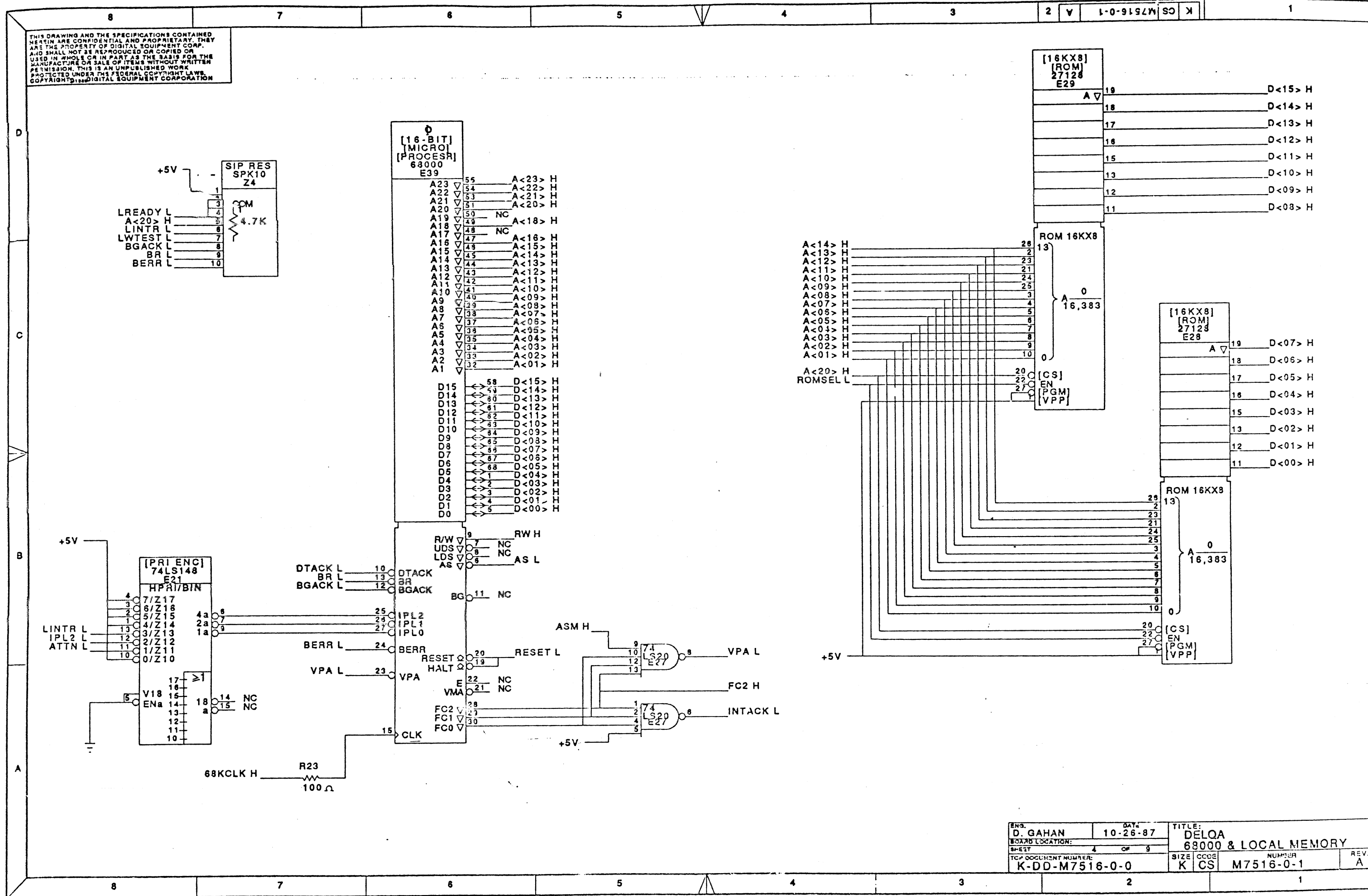
	VCC	GND
QIC E36	PINS 21, 42, 63, 84	PINS 1, 22, 43, 64
QNA2 E24	PINS 17, 34, 51, 68	PINS 1, 18, 35, 52

THIS DRAWING AND THE SPECIFICATIONS CONTAINED HEREIN ARE CONFIDENTIAL AND PROPRIETARY. THEY ARE THE PROPERTY OF DIGITAL EQUIPMENT CORP. AND SHALL NOT BE REPRODUCED OR COPIED OR USED IN WHOLE OR IN PART AS THE BASIS FOR THE MANUFACTURE OR SALE OF ITEMS WITHOUT WRITTEN PERMISSION. THIS IS AN UNPUBLISHED WORK PROTECTED UNDER THE FEDERAL COPYRIGHT LAWS. COPYRIGHT © 1987 DIGITAL EQUIPMENT CORPORATION



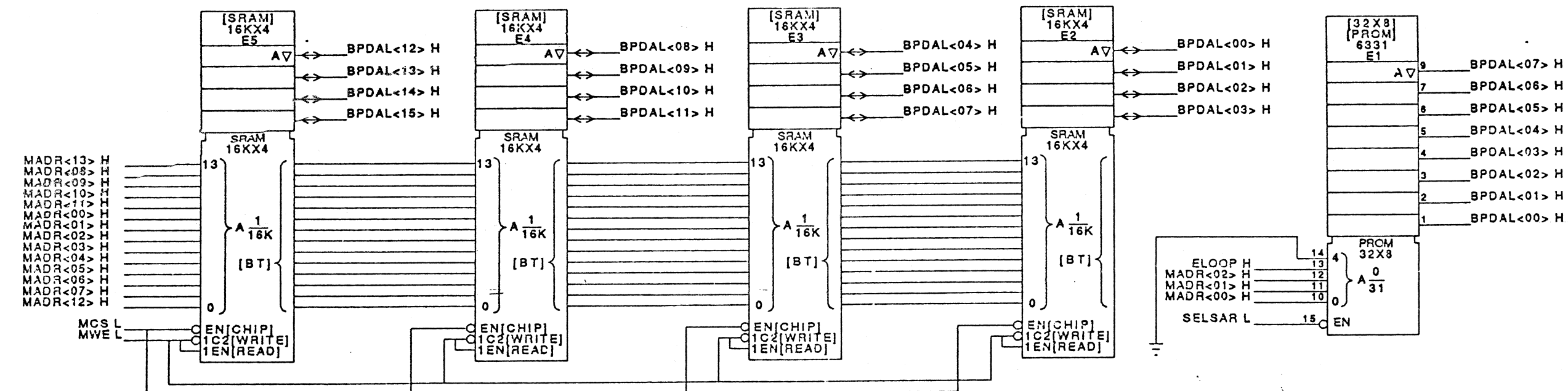
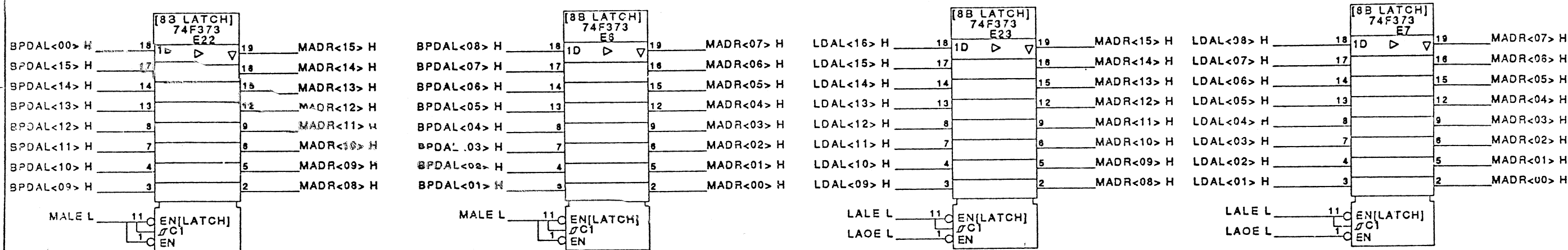
ENGR D. GAHAN	DATE 10-28-87	TITLE DELQA 68090 TRANSCEIVERS
BOARD LOCATION:	SHEET 3 OF 9	SIZE K CS
TOP DOCUMENT NUMBER: K-DD-M7516-0-0	NUMBER M7561-0-1	REV. A

THIS DRAWING AND THE SPECIFICATIONS CONTAINED HEREIN ARE CONFIDENTIAL AND PROPRIETARY. THEY ARE THE PROPERTY OF DIGITAL EQUIPMENT CORP. AND SHALL NOT BE REPRODUCED OR COPIED OR USED IN WHOLE OR IN PART AS THE BASIS FOR THE MANUFACTURE OR SALE OF ITEMS WITHOUT WRITTEN PERMISSION. THIS IS AN UNPUBLISHED WORK PROTECTED UNDER THE FEDERAL COPYRIGHT LAWS. COPYRIGHT © 1984 DIGITAL EQUIPMENT CORPORATION



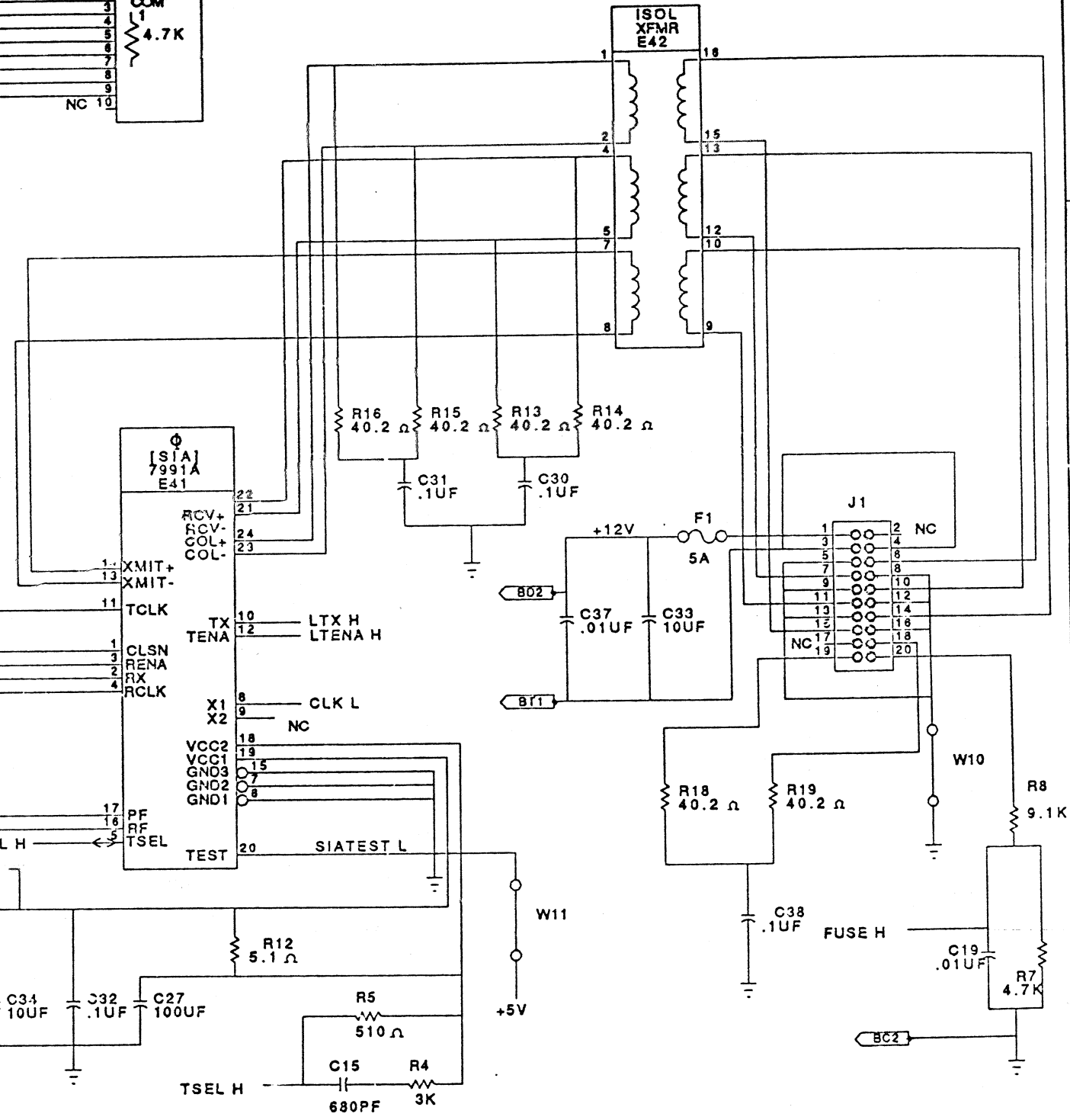
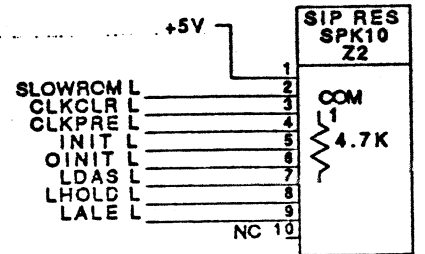
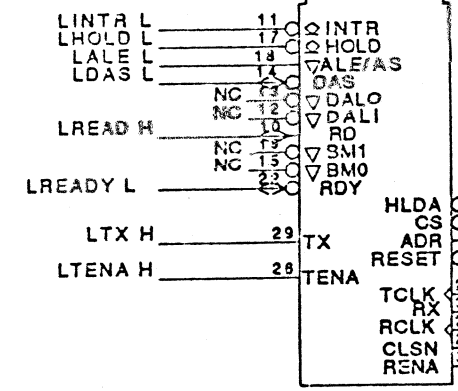
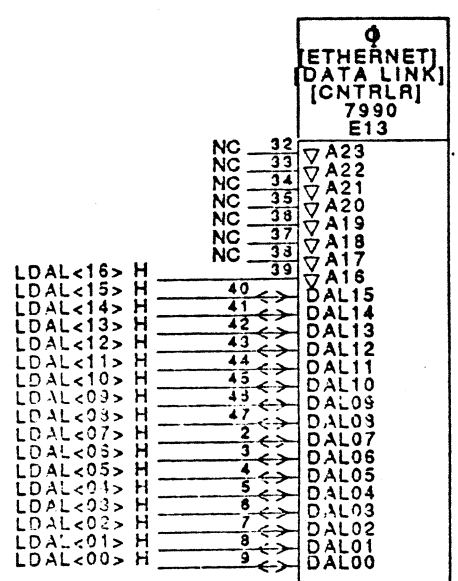
ENG. D. GAHAN	DATE 10-26-87	TITLE DELOA
BOARD LOCATION: SHEET 4 OF 9	SIZE K CS	NUMBER M7516-0-1
TCP DOCUMENT NUMBER: K-DD-M7516-0-0	REV. A	

THIS DRAWING AND THE SPECIFICATIONS CONTAINED HEREIN ARE CONFIDENTIAL AND PROPRIETARY. THEY ARE THE PROPERTY OF DIGITAL EQUIPMENT CORP. AND SHALL NOT BE REPRODUCED OR COPIED OR USED IN WHOLE OR IN PART AS THE BASIS FOR THE MANUFACTURE OR SALE OF ITEMS WITHOUT WRITTEN PERMISSION. THIS IS AN UNPUBLISHED WORK PROTECTED UNDER THE FEDERAL COPYRIGHT LAWS. COPYRIGHT © 1987 DIGITAL EQUIPMENT CORPORATION



ENG. D. GAHAN	DATE 10-28-87	TITLE DELQA
DRAWING LOCATION: 5 OF 9		SHARED MEMORY, TRANSCIVERS & SARON
TOP DOCUMENT NUMBER: K-DD-M7516-0-0	SIZE CODE: K CS	NUMBER: M7516-0-1
		REV. A

THIS DRAWING AND THE SPECIFICATIONS CONTAINED HEREIN ARE CONFIDENTIAL AND PROPRIETARY. THEY ARE THE PROPERTY OF DIGITAL EQUIPMENT CORP. AND SHALL NOT BE REPRODUCED OR COPIED OR USED IN WHOLE OR IN PART AS THE BASIS FOR THE MANUFACTURE OR SALE OF ITEMS WITHOUT WRITTEN PERMISSION. THIS IS AN UNPUBLISHED WORK PROTECTED UNDER THE FEDERAL COPYRIGHT LAWS. COPYRIGHT © 1982 DIGITAL EQUIPMENT CORPORATION

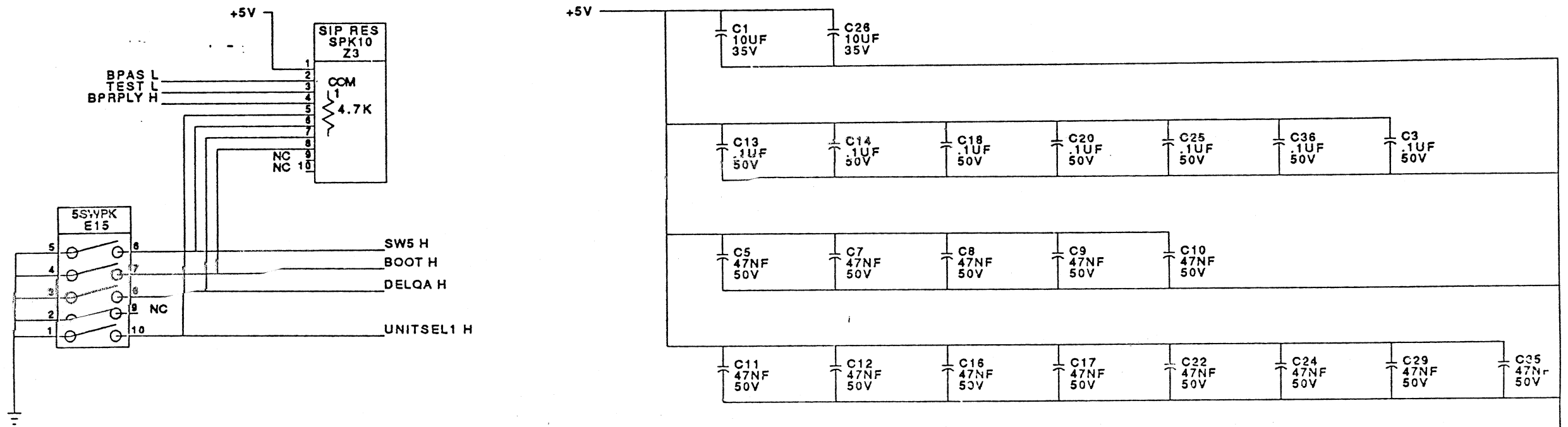


NOTES:

- 1) AND RETURN FROM FINGERS BD2 AND BT1 TO J1 PINS 1, 3 AND 4 ARE ROUTED ON THE INTERNAL LAYERS
- 2) THE CONNECTION FROM R7/C19 IS ROUTED ON A SIGNAL LAYER TO THE FEED-THRU POINT OF BC2
- 3) PIN 15 OF E41(SIA) CONNECTS TO C22/C28 VIA A 50 MIL TRACE ON A SIGNAL LAYER. THIS TRACE CONNECTS TO THE GROUND PLANE AT PINS 6 & 7 ONLY. THE VCC LAYER IS VOIDED AT PIN 15.
- 4) THE ETCH FROM E41(SIA) TO E42(XFMR) IS OF MINIMUM LENGTH, WITH EACH DIFFERENTIAL PAIR HAVING SYMMETRICAL ETCH.

DESIGN: D. GAHAN	DATE: 10-26-97	TITLE: DELQA	REV.:
BOARD LOCATION:		ETHERNET INTERFACE	A
SHEET: 8	OF: 9	SIZE: K	CODE: CS
TOP DOCUMENT NUMBER: K-DD-M7516-0-0		NUMBER: M7516-0-1	

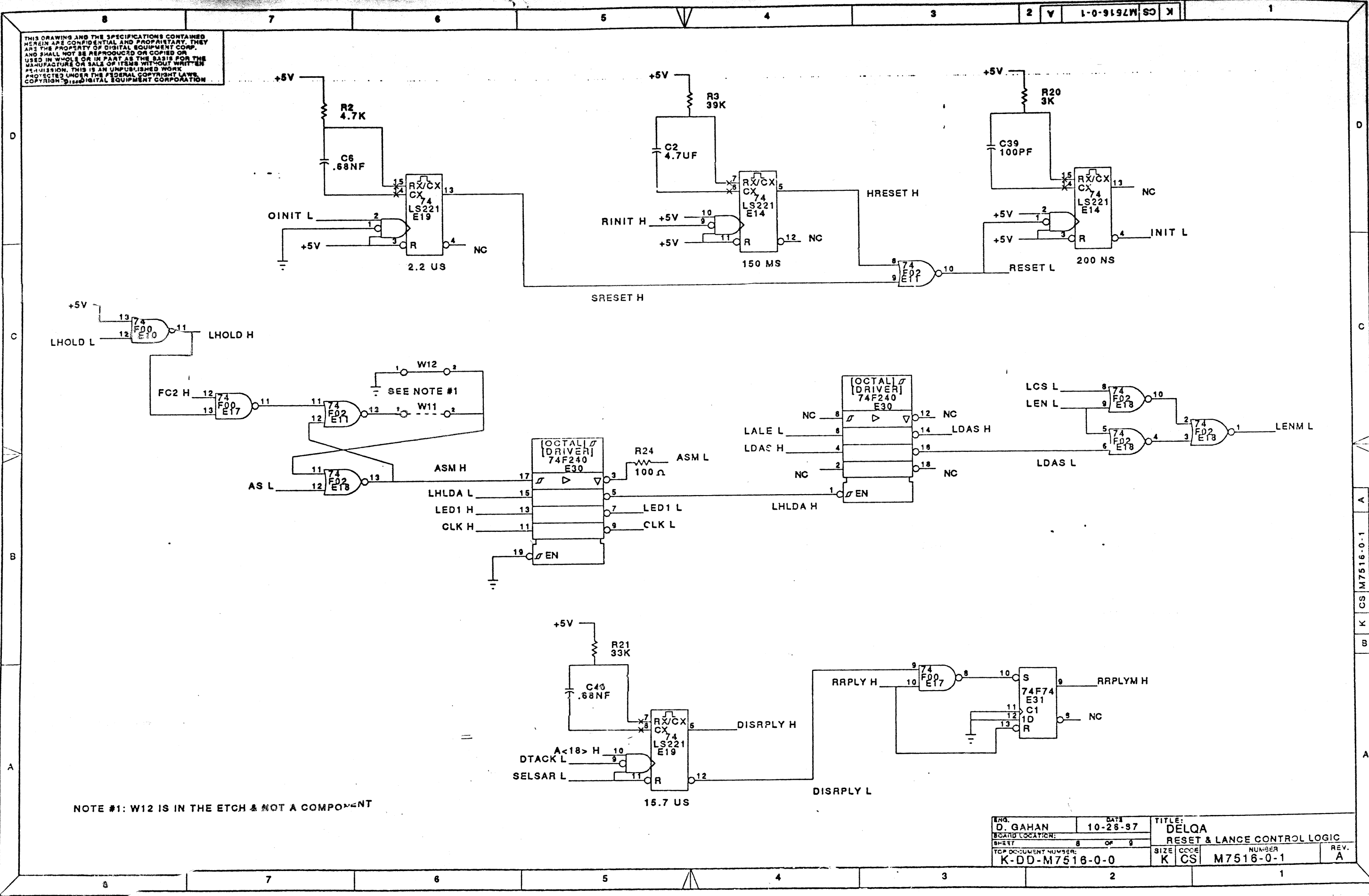
THIS DRAWING AND THE SPECIFICATIONS CONTAINED HEREIN ARE CONFIDENTIAL AND PROPRIETARY. THEY ARE THE PROPERTY OF DIGITAL EQUIPMENT CORP. AND SHALL NOT BE REPRODUCED OR COPIED OR USED IN WHOLE OR IN PART AS THE BASIS FOR THE MANUFACTURE OR SALE OF ITEMS WITHOUT WRITTEN PERMISSION. THIS IS AN UNPUBLISHED WORK PROTECTED UNDER THE FEDERAL COPYRIGHT LAWS. COPYRIGHT © 1982 DIGITAL EQUIPMENT CORPORATION



SWITCH	OPEN	CLOSED	
SW1	BASE ADDRESS 174480	BASE ADDRESS 174440	
SW5	RESERVED	RESERVED	
SW3 & SW4	SW3	SW4	
	OPEN	OPEN	DEQNA MODE SANITY TIMER ENABLED
	OPEN	CLOSED	DEQNA MODE SANITY TIMER DISABLED
	CLOSED	OPEN	DELQA MODE REMOTE BOOT ENABLED
	CLOSED	CLOSED	DELQA MODE REMOTE BOOT DISABLED

ENGR. D. GAHAN	DATE 10-26-87	TITLE: DELQA SWITCHES, DECOUPLING
BOARD LOCATION: SHEET 7 OF 9		SIZE CODE K CS
TOP DOCUMENT NUMBER: K-DD-M7516-0-0		NUMBER M7516-0-1
		REV. A

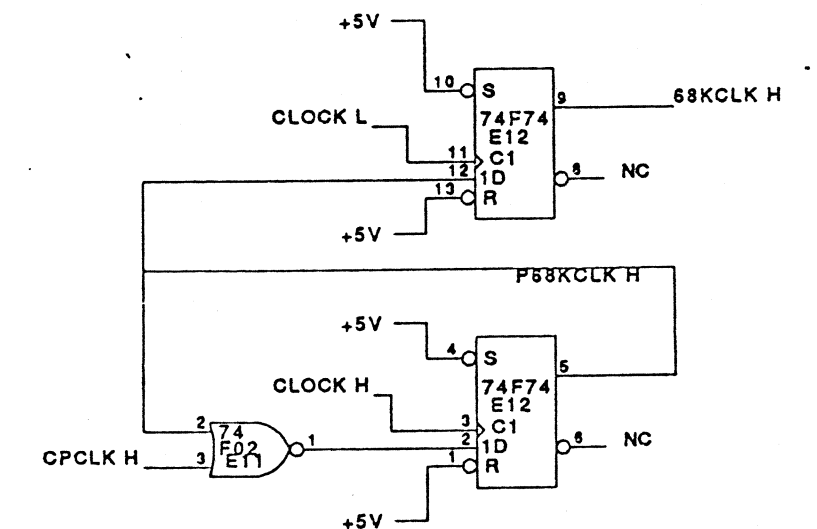
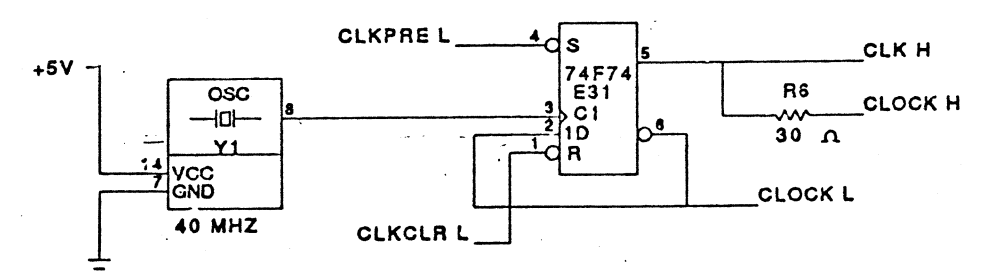
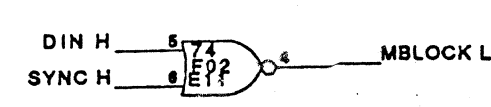
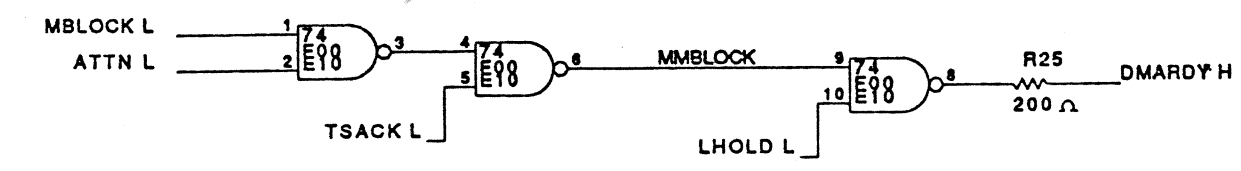
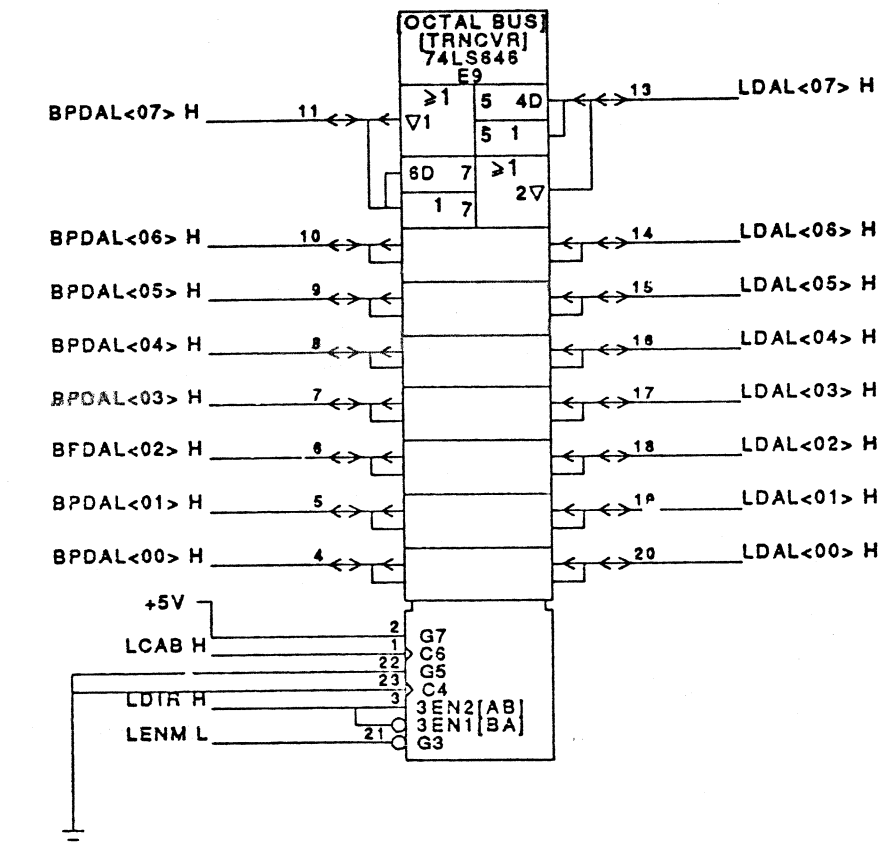
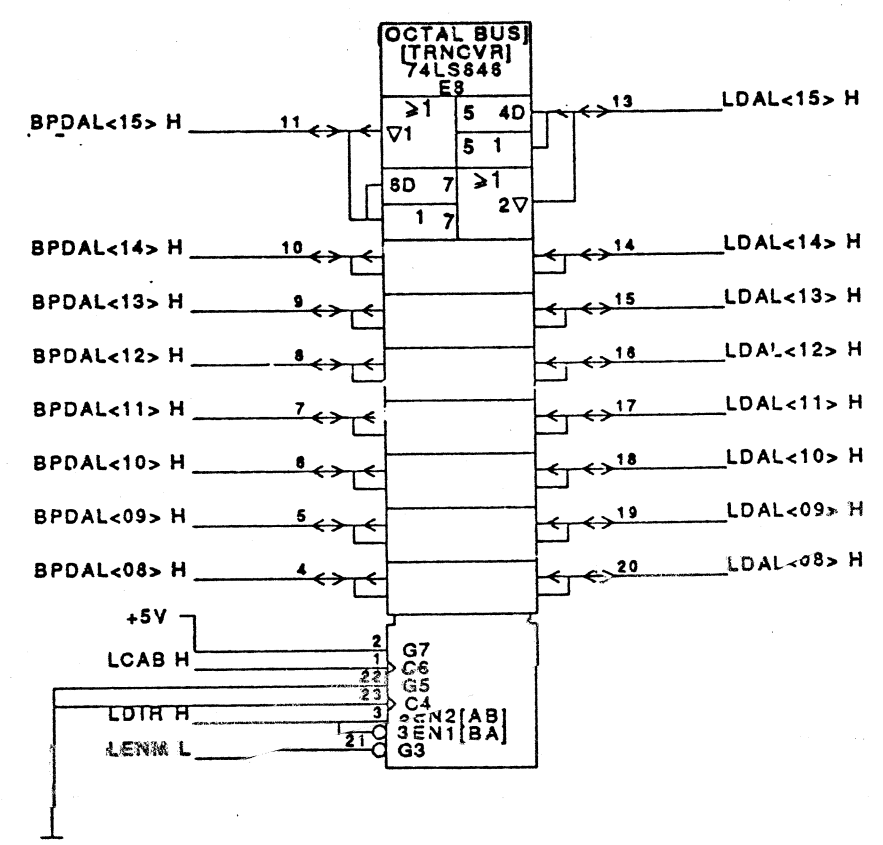
THIS DRAWING AND THE SPECIFICATIONS CONTAINED HEREIN ARE CONFIDENTIAL AND PROPRIETARY. THEY ARE THE PROPERTY OF DIGITAL EQUIPMENT CORP. AND SHALL NOT BE REPRODUCED OR COPIED OR USED IN WHOLE OR IN PART AS THE BASIS FOR THE MANUFACTURE OR SALE OF ITEMS WITHOUT WRITTEN PERMISSION. THIS IS AN UNPUBLISHED WORK PROTECTED UNDER THE FEDERAL COPYRIGHT LAWS. COPYRIGHT © 1972 DIGITAL EQUIPMENT CORPORATION



NOTE #1: W12 IS IN THE ETCH & NOT A COMPONENT

ENG.	D. GAHAN	DATE	10-26-87	TITLE:	DELQA
BOARD LOCATION:				RESET & LANCE CONTROL LOGIC	
SHEET	8	OF	9	SIZE	K CS
TOP DOCUMENT NUMBER:	K-DD-M7516-0-0		NUMBER	M7516-0-1	REV.
					A

THIS DRAWING AND THE SPECIFICATIONS CONTAINED HEREIN ARE CONFIDENTIAL AND PROPRIETARY. THEY ARE THE PROPERTY OF DIGITAL EQUIPMENT CORP. AND SHALL NOT BE REPRODUCED OR COPIED OR USED IN WHOLE OR IN PART AS THE BASIS FOR THE MANUFACTURE OR SALE OF ITEMS WITHOUT WRITTEN PERMISSION. THIS IS AN UNPUBLISHED WORK PROTECTED UNDER THE FEDERAL COPYRIGHT LAWS. COPYRIGHT © 1987 DIGITAL EQUIPMENT CORPORATION



ENR. D. GAHAN	DATE 10-26-87	TITLE DELQA
BOXED LOCATION:		LANCS INTERFACE, CLOCKS, QIC CONTROL LOGIC
SHEET 1	OF 1	NUMBER K CS M7516-0-1
TOP DOCUMENT NUMBER K-DD-M7516-0-0	SIZE K CS	REV. A

DRAWING NO.	NO. SHTS	PART NO.	DESCRIPTION	REVISIONS
K-MD-5017646-1-0 K-EC-5017646-1-0	5 4	5017646-01	ETCHED CIRCUIT BOARD CIRUIT DRILL AND ETCH ETCH CUT DRAWING	H1 H1 H1 J1 H H J K H J IN IN

NOTES:

R E V R E V I S I O N Y	H1 J1 K L
	E I K K M
	C N L L K
	O I O O O N T 0 0 1 O 1 9 1
D A T E	0 0 0 0 5 6 7 5 / / / / 8 8 8 8 7 7 8 9

THIS DRAWING AND THE SPECIFICATIONS CONTAINED
HEREIN ARE CONFIDENTIAL AND PROPRIETARY. THEY
ARE THE PROPERTY OF DIGITAL EQUIPMENT CORPOR-
ATION AND SHALL NOT BE REPRODUCED OR COPIED
OR USED IN WHOLE OR IN PART AS THE BASIS FOR
THE MANUFACTURE OR SALE OF ITEMS WITHOUT WRIT-
TEN PERMISSION. THIS IS AN UNPUBLISHED WORK
PROTECTED UNDER THE FEDERAL COPYRIGHT LAWS.
COPYRIGHT 1987

DRN: C. IVE	DATE: MAY 87	d i g i t a l
CHK'D: P. DAMPIER	DATE: MAY 87	TITLE ETCHED CIRIUT BOARD
DES.ENG.: B. CAMPBELL	DATE: MAY 87	SHEET 1 OF 1 EDIT: 0
RESP.ENG.: DICK GAHN	DATE: MAY 87	DOCUMENT NUMBER
MFG.ENG.: J. CATTLEY	DATE: MAY 87	DD FILENAME: 5017646L.DDF
		SIZE CODE NUMBER REV K DD 5017646-1-0 L

AUTOMATED BY VAXKPL (V1.3)

PARTS LIST

SHEET A1 OF A1

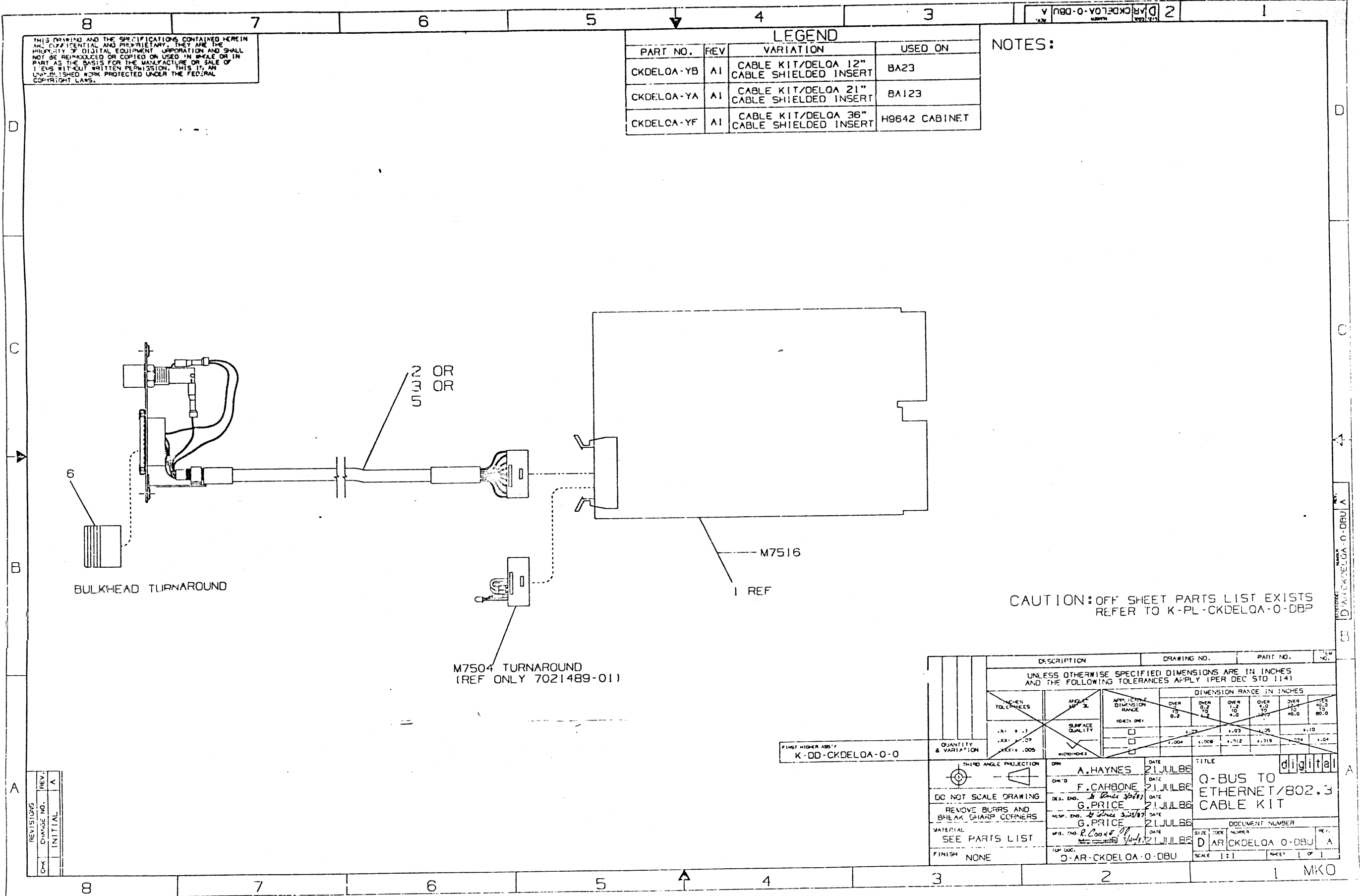
LINE ITEM	TOP DOCUMENT	PART NUMBER	MIN REV	DESCRIPTION	QUANTITY PER VARIATION/REVISION		
					YA A1	YB A1	YF A1
1	D-04-47516-0-0	47516-00		2-BUS TO ETHERNET ADAPTOR/DUAL	REF	REF	REF
2	D-1A-7022786-0-03U	70-22786-01		302.3 CABLE BULKHEAD ASSY	-	1	-
3	D-1A-7022786-0-06U	70-22786-1K		302.3 CABLE BULKHEAD ASSY	1	-	-
4	A-0P-5700457-0-0	37-00457-01		PKG GENERAL PURPOSE 9906033-01	1	1	1
5	D-1A-7022786-0-03U	70-22786-03		302.3 CABLE BULKHEAD ASSY	-	-	1
6	0	12-22196-02		CONN/D50A 15POS ETHERNET LOOPBACK	1	1	1

REVISION HISTORY		KPL MATRIX FORMAT SECTION 4 OF 4		DRN: A. HAYNES	DIGITAL		
ENG:	ECO NUMBER	REV	SECTION/VARIATION INDEX	DATE: 21-JUL-86	TITLE PARTS LIST		
SP	INITIAL	A	[A] YA, YB, YF	CHK'D: F. CARBONE	302.3 CABLE KIT		
			[B]	DATE: 21-JUL-86	DOCUMENT NUMBER		
			[C]	DES. ENG: G. PRICE	SIZE: CODE:	NUMBER	REV
			[D]	DATE: 21-JUL-86	3/25/87		
			[E]	RESP. ENG: G. PRICE	K	PL	CKDELQA-0-03P
			[F]	DATE: 21-JUL-86	3/25/87		
			[G]	MFG. ENG: R. COOK	RELEASE DATE:		
			[H]	DATE: 21-JUL-86	RELEASE STATUS: RELEASED		
			[J]	3/25/87			
BASIC PART NUMBER:		ASSEMBLY NUMBER:		TOP DOCUMENT NUMBER:		FILE NAME:	EDIT #
CKDELQA		D-AR-CKDELQA-0-03U		D-AR-CKDELQA-0-03U		CKDEL_QAA.PLS	16
<p>"THIS DRAWING AND THE SPECIFICATIONS CONTAINED HEREIN ARE CONFIDENTIAL AND PROPRIETARY. THEY ARE THE PROPERTY OF DIGITAL EQUIPMENT CORPORATION AND SHALL NOT BE REPRODUCED OR COPIED OR USED IN WHOLE OR IN PART AS THE BASIS FOR THE MANUFACTURE OR SALE OF ITEMS WITHOUT WRITTEN PERMISSION. THIS IS AN UNPUBLISHED WORK PROTECTED UNDER THE FEDERAL COPYRIGHT LAWS."</p>							

THIS DRAWING AND THE SPECIFICATIONS CONTAINED HEREIN ARE CONFIDENTIAL AND PROPRIETARY. THEY ARE THE PROPERTY OF DIGITAL EQUIPMENT CORPORATION AND SHALL NOT BE REPRODUCED OR COPIED OR USED IN WHOLE OR IN PART AS THE BASIS FOR THE MANUFACTURE OR SALE OF ITEMS WITHOUT WRITTEN PERMISSION. THIS IS AN UNPUBLISHED WORK PROTECTED UNDER THE FEDERAL COPYRIGHT LAWS.

LEGEND			
PART NO.	REV	VARIATION	USED ON
CKDELOA-YB	A1	CABLE KIT/DELOA 12" CABLE SHIELDED INSERT	BA23
CKDELOA-YA	A1	CABLE KIT/DELOA 21" CABLE SHIELDED INSERT	BA123
CKDELCA-YF	A1	CABLE KIT/DELOA 36" CABLE SHIELDED INSERT	H9642 CABINET

NOTES:



CAUTION: OFF SHEET PARTS LIST EXISTS REFER TO K-PL-CKDELOA-0-DBU

DESCRIPTION		DRAWING NO.		PART NO.	
UNLESS OTHERWISE SPECIFIED DIMENSIONS ARE IN INCHES AND THE FOLLOWING TOLERANCES APPLY (PER DEC STD 114)					
INCHES TOLERANCES		APPLICABLE DIMENSION RANGE		DIMENSION RANGE IN INCHES	
.001		.001		OVER 0.2 TO 0.2	OVER 0.2 TO 0.2
.002		.002		OVER 0.2 TO 0.2	OVER 0.2 TO 0.2
.005		.005		OVER 0.2 TO 0.2	OVER 0.2 TO 0.2
.010		.010		OVER 0.2 TO 0.2	OVER 0.2 TO 0.2
.020		.020		OVER 0.2 TO 0.2	OVER 0.2 TO 0.2
.050		.050		OVER 0.2 TO 0.2	OVER 0.2 TO 0.2
.100		.100		OVER 0.2 TO 0.2	OVER 0.2 TO 0.2
.200		.200		OVER 0.2 TO 0.2	OVER 0.2 TO 0.2
.500		.500		OVER 0.2 TO 0.2	OVER 0.2 TO 0.2
1.000		1.000		OVER 0.2 TO 0.2	OVER 0.2 TO 0.2
2.000		2.000		OVER 0.2 TO 0.2	OVER 0.2 TO 0.2
5.000		5.000		OVER 0.2 TO 0.2	OVER 0.2 TO 0.2
10.000		10.000		OVER 0.2 TO 0.2	OVER 0.2 TO 0.2
20.000		20.000		OVER 0.2 TO 0.2	OVER 0.2 TO 0.2
50.000		50.000		OVER 0.2 TO 0.2	OVER 0.2 TO 0.2
100.000		100.000		OVER 0.2 TO 0.2	OVER 0.2 TO 0.2
200.000		200.000		OVER 0.2 TO 0.2	OVER 0.2 TO 0.2
500.000		500.000		OVER 0.2 TO 0.2	OVER 0.2 TO 0.2
1000.000		1000.000		OVER 0.2 TO 0.2	OVER 0.2 TO 0.2
FIRST HIGHER ASSY		K-DD-CKDELOA-0-0		TITLE	
THIRD ANGLE PROJECTION		A. HAYNES 21 JUL 86		Q-BUS TO ETHERNET/802.3 CABLE KIT	
DO NOT SCALE DRAWING		F. CARBONE 21 JUL 86		DOCUMENT NUMBER	
REMOVE BURRS AND BREAK SHARP CORNERS		G. PRICE 21 JUL 86		D IAR CKDELOA 0-0 DBU A	
MATERIAL		G. PRICE 21 JUL 86		SCALE 1:1	
SEE PARTS LIST		R. COOKE 21 JUL 86		SHEET 1 OF 1	
FINISH NONE		J-AR-CKDELOA-0-0 DBU		MKO	

REV	INITIAL
1	A

THIS DRAWING AND THE SPECIFICATIONS CONTAINED HEREIN ARE THE PROPERTY OF DIGITAL EQUIPMENT CORPORATION AND SHALL NOT BE REPRODUCED OR COPIED OR USED IN WHOLE OR IN PART FOR ANY PURPOSES WITHOUT WRITTEN PERMISSION. THIS IS AN UNPUBLISHED WORK PROTECTED UNDER THE FEDERAL COPYRIGHT LAWS, 1988

WIRE TABLE (CONTD. SHEET 2)

ITEM NO.	DESCRIPTION	FROM			TO			REMARKS	
		POINT	CONN	TERM	POINT	CONN	TERM		
3	24 DRAIN	1	P1-4	5,1	25	P2-12	6,2	SHIELD DRAIN WIRE	
3	28	BLU	2	P1-2	5,1	24	P2-14	7,2	COLLISION +
		GRN	3	P1-9	5,1	23	P2-15	7,2	COLLISION -
3	28	WHT	4	P1-5	5,1	22	P2-6	7,2	RECEIVE +
		GRY	5	P1-12	5,1	21	P2-7	7,2	RECEIVE -
3	28	ORG	6	P1-3	5,1	20	P2-10	7,2	TRANSMIT +
		YEL	7	P1-10	5,1	19	P2-11	7,2	TRANSMIT -
3	28	TAN	8	P1-7	5,1	18	P2-18	7,2	CONTROL OUT CIRCUIT A
		BROWN	9	P1-15	5,1	17	P2-19	7,2	CONTROL OUT CIRCUIT B

LEGEND

PART NO.	REV	DIMENSION "X"	RAW LENGTH	USED ON
70-22786-01	A3	12 INCHES ±1.0 IN.	17.5 INCHES ±1.0 IN.	BA23
70-22786-1K	A3	21 INCHES ±1.0 IN.	26.5 INCHES ±1.0 IN.	BA123
70-22786-03	A3	36 INCHES ±1.0 IN.	41.5 INCHES ±1.0 IN.	H9642 CABINET
70-22786-0K	B2	9 INCHES ±0.5 IN.	14.5 INCHES ±1.0 IN.	BA213

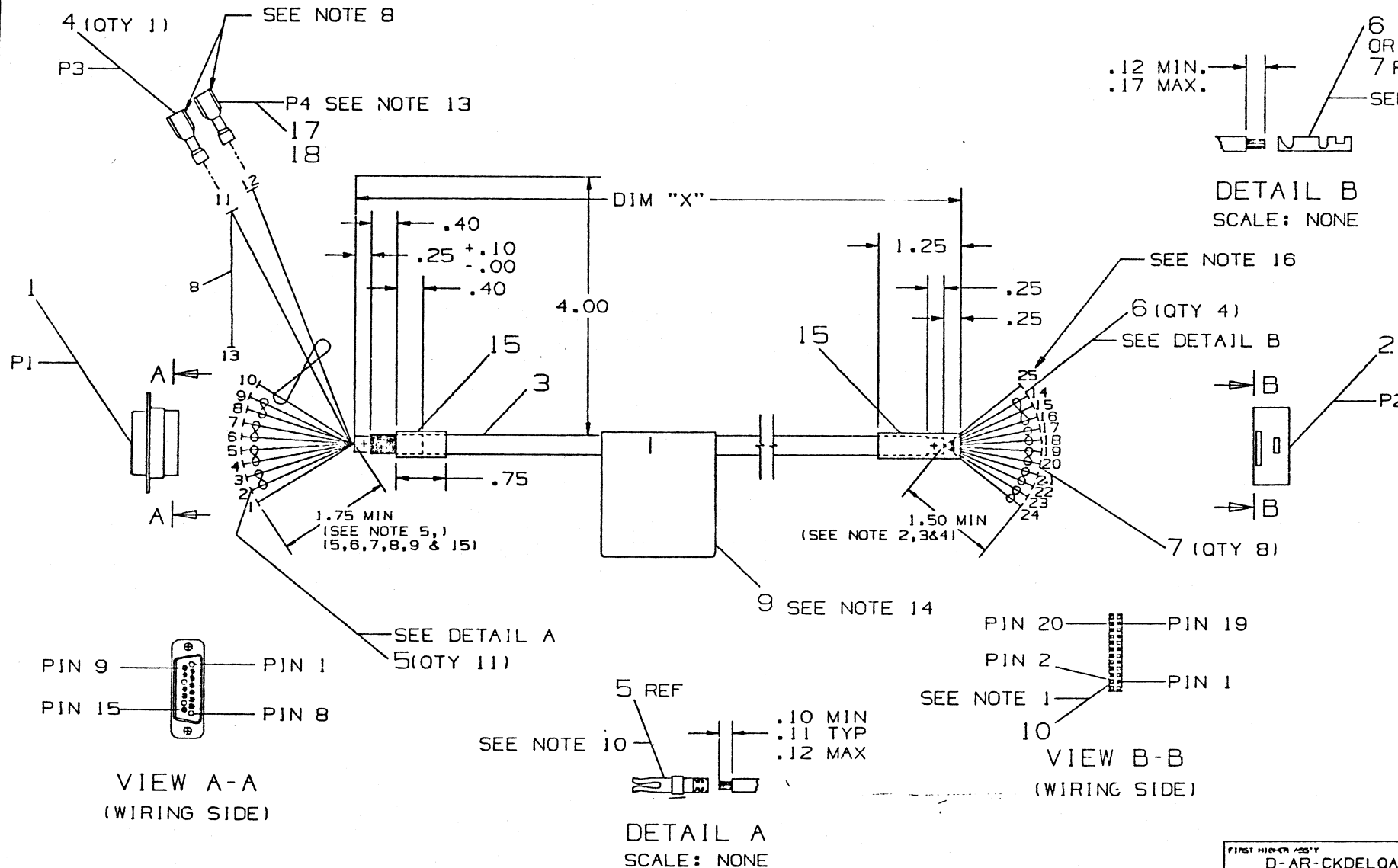
* CABLE LENGTH PRIOR TO STRIPPING

NOTES:

- KEYING PLUG (ITEM 10) IS INSERTED INTO P2-2.
- REMOVE OUTER JACKET & BRAID & OUTER FOIL 1.75" TO ALLOW EXPOSURE OF INNER JACKET AT P2 END.
- REMOVE INNER JACKET 1.50" TO ALLOW SEPARATION OF FOILED WIRE PAIRS AT P2 END.
- REMOVE FOIL SHIELDS FROM WIRE PAIRS FLUSH TO INNER JACKET.
- REMOVE OUTER JACKET 4.25" TO EXPOSE THE OUTER BRAID AT P1 SIDE.
- REMOVE 3.45" OF BRAID FROM END OF CABLE, LEAVING .80" OF BRAID TO BE FOLDED BACK OVER OUTER JACKET.
- REMOVE OUTER FOIL EVEN WITH OUTER JACKET AND BRAID, TO EXPOSE INNER JACKET.
- REMOVE 4.00" OF INNER JACKET TO ALLOW SEPARATION OF FOILED WIRE PAIRS AT P1 END.
- REMOVE FOIL SHIELDS FROM WIRE PAIRS EVEN WITH INNER JACKET ±.06 AT P1 END.
- HAND CRIMP TOOLS: AMP P/N 90265-1 (ITEM 5) BERG ELECTRIC P/N HT-95 (ITEM 6&7).
- HARDWARE INDICATED IS SUPPLIED WITH ITEM 11 TORQUE AT 5 IN.LB. ±10%.
- TIGHTEN SCREWS (REF ITEMS 20 & 21) TO 2 IN.LB. ±10%.
- ITEM 18 TO BE FLUSH WITH END OF ITEM 17.

NOTES CONTINUED ON SHEET 2

CAUTION: OFF SHEET PARTS LIST EXISTS REFER TO K-PL-7022786-0-DBP



REV.	INITIAL	DATE
A		
B		
C		

8 7 6 5 4 3 2 1 MKO

DESCRIPTION	DRAWING NO.	PART NO.	ITEM NO.
UNLESS OTHERWISE SPECIFIED DIMENSIONS ARE IN INCHES AND THE FOLLOWING TOLERANCES APPLY (PER DEC STD 114)			
DIMENSION RANGE IN INCHES			
INCHES TOLERANCES	ANGLES	APPLICABLE DIMENSION RANGE	OVER TO
.XX ± .1	SURFACE QUALITY	1000X DAT	0.2
.XX ± .02	✓	✓	1.2
.XXX ± .005	✓	✓	4.0
	✓	✓	12.0
	✓	✓	40.0
	✓	✓	80.0
QUANTITY & VARIATION	THIRD ANGLE PROJECTION	DATE	TITLE
D-AR-CKDELOA-0-DBU	✓	21 JUL 86	802.3 CABLE, BULKHEAD ASSY
DO NOT SCALE DRAWING	DATE	DATE	DATE
REMOVE BURRS AND BREAK SHARP CORNERS	F. CARBONE	G. PRICE	G. PRICE
MATERIAL	DATE	DATE	DATE
SEE PARTS LIST	R. COOKE		
FINISH	DATE	DATE	DATE
NONE	21 JUL 86		
	TOP LOC.	SCALE	SHEET
	D-1A-7022786-0-DBU	1/1	1 OF 2

THIS DRAWING AND THE SPECIFICATIONS CONTAINED HEREIN ARE CONFIDENTIAL AND PROPRIETARY. THEY ARE THE PROPERTY OF DIGITAL EQUIPMENT CORPORATION AND SHALL NOT BE REPRODUCED OR COPIED OR USED IN WHOLE OR IN PART AS THE BASIS FOR THE MANUFACTURE OR SALE OF ITEMS WITHOUT WRITTEN PERMISSION. THIS IS AN UNPUBLISHED WORK PROTECTED UNDER THE FEDERAL COPYRIGHT LAWS, 1986

WIRE TABLE (CONTD.)

ITEM NO.	DESCRIPTION		FROM			TO			REMARKS
	AWG	COLOR	POINT	CONN	TERM	POINT	CONN	TERM	
3	24	BLK	10	P1-6	5,1	16	P2-4	6,2	POWER RETURN
	24	VIO	11	P3 *	4	15	P2-20	6,2	FUSE OK
	24	RED	12	P4	17	14	P2-1	6,2	POWER
8	24	ORN	13	P1-13	5,1	11	P3 *	4	FUSED POWER

* SHARE SAME TERM. QUICK (POINT #11)

NOTES, CONTINUED

- 14. ITEM #9 (LABEL) TO BE POSITIONED ±1" IN CENTER OF CABLE.
- 15. TOLERANCES UNLESS OTHERWISE SPECIFIED;
 .00--.99 ±.10
 1.00--5.00 ±.25
- 16. ITEM #25 (TUBING) TO BE CUT TO 1.5" AND INSTALLED OVER DRAIN WIRE (POINT 25) BEFORE INSTALLING ITEM #6.

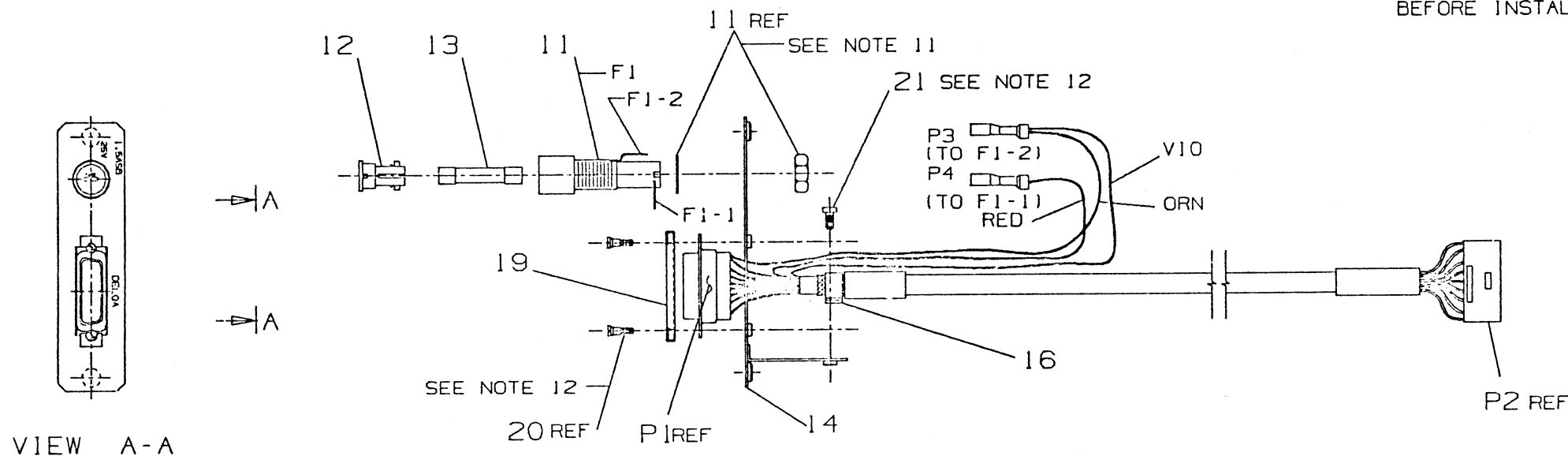


FIGURE 1
-01, -03 & -1K VARIATIONS ONLY

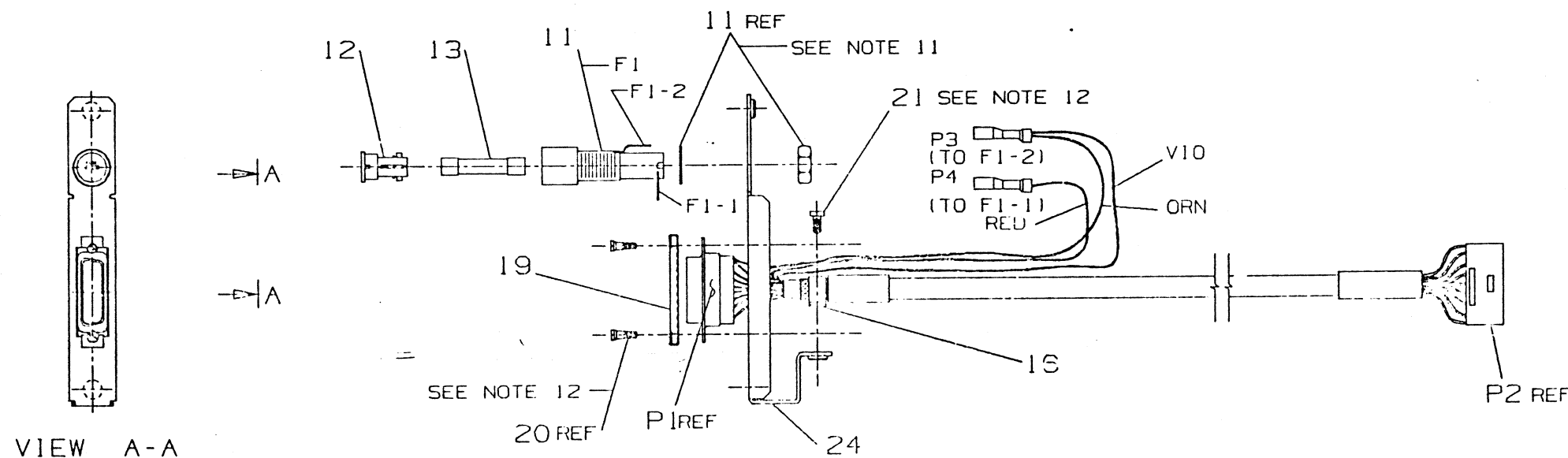


FIGURE 2
-0K VARIATION ONLY

PLOT AT 1.00

REVISIONS		
CHK	CHANGE NO	REV

TITLE	802.3 CABLE, BULKHEAD ASSY	SIZE/CODE	DIA	NUMBER	7022786-0-DBU	REV	C
SCALE	1/1	SHEET	2	OF	2	DIST	

1 MKO

AUTOMATED BY VAXKPL (V2.0)

PARTS LIST

SHEET A1 OF A1

LINE	ITEM	TOP DOCUMENT	PART NUMBER	MIN REV	DESCRIPTION	QUANTITY PER VARIATION/REVISION			
						01 A3	03 A3	OK B2	1K A3
1	1	A-PS-1210493-0-0	12-10493-58		CONN,D SUB 15SKT HSG STR	1	1	1	1
2	2	A-PS-1210918-0-0	12-10918-35		CONN,P+S 24POS(2X12).100CC HSG	1	1	1	1
3	3	A-PS-1701470-0-0	17-01470-01		CABLE,RND 11COND 28AWG FOILSHLD	18	42	15	27
4	4	A-PS-1217000-0-0	12-17000-08		TERM,QUICK .187TAB 18-22AWG .1	1	1	1	1
5	5	A-PS-1210493-0-0	12-10493-45		CONN,D SUB SKT CRIMP 28-24AWG	11	11	11	11
6	6	A-PS-1210089-0-0	12-10089-07		CONN,P+S 01SKT 28-22AWG .05000	4	4	4	4
7	7	A-PS-1210089-0-0	12-10089-00		CONN,P+S 01SKT 32-28AWG .05000	8	8	8	8
8	8		91-07901-33		WIRE, 24AWG(07/32) PVC 300V 8	4	4	4	4
9	9	A-PS-3616073-0-0	36-16073-00		LABEL,ID W/COPY VERTICAL	1	1	1	1
10	10		90-09140-00		CONN,P+S POLARIZING PLUG FOR-12	1	1	1	1
11	11	A-PS-1221126-0-0	12-21126-01		FUSE HOLDER 1P 3AG 5MM SPEC A 250	1	1	1	1
12	12	A-PS-1221126-0-0	12-21126-03		FUSE CARRIER 3AG TYPE	1	1	1	1
13	13		90-07213-00		FUSE 3AG 1.50 A 250V SLOW-BLOW G	1	1	-	1
14	14	D-IA-7022789-0-0	70-22789-01		DELQA BULKHEAD ASSY	2	2	2	2
15	15		91-07252-00		TUBING,SHRINK .375ID EXP	1	1	1	1
16	16	A-PS-1223410-0-0	12-23410-02		CLAMP,CABLE	1	1	1	1
17	17	A-PS-1222522-0-0	12-22522-01		TERM,QUICK .187TAB 24-20AWG .0	1	1	1	1
18	18		91-07254-00		TUBING,SHRINK .187ID EXP	1	1	1	1
19	19	A-PS-1218489-0-0	12-18489-03		LATCH ASSY,SLIDE,15POS,W/O HARDWAR	1	1	1	1
20	20	A-PS-1218489-0-0	12-18489-04		LATCH ASSY,SLIDE,2PCE TYPE,.29"L M	2	2	2	2
21	21		90-09643-02		SCREW,SEMS PAN PHIL 4-40	1	1	1	1
22	22		90-06557-00		*** THIS ITEM IS NOT USED ***	-	-	-	-
23	23	A-PS-1218489-0-0	12-18489-05		*** THIS ITEM IS NOT USED ***	-	-	1	-
24	24		74-33868-01 C		BRACKET,COMPONENT MOUNTING	-	-	-	-
25	25		91-07256-11		TUBING,TEFLON .027ID	2	2	2	2

1 GEN: QUANTITIES FOR ITEM 3,8,15,18 AND 25 ARE SHOWN IN INCHES.
 2 GEN: IF ITEM #11 (12-22255-01) IS NOT AVAILABLE, THEN (12-22255-02) CAN BE SUBSTITUTED.

REVISION HISTORY		KPL MATRIX FORMAT		SECTION A OF A	DRN: A.HAYNES	DIGITAL		
ENG:	ECO NUMBER	REV	SECTION/VARIATION INDEX		DATE: 21-JUL-86	TITLE PARTS LIST		
GP	INITIAL	A	[A] 01,03,OK,1K		CHK'D: F.CARBONE	802.3 CABLE BULKHEAD ASSY		
ML	7022786-MK001	B	[B]		DATE: 21-JUL-86	DOCUMENT NUMBER		
RB	7022786-MK002	C	[C]		DES.ENG: G.PRICE	SIZE: K	CODE: PL	NUMBER: 7022786-0-DBP
			[D]		DATE: 21-JUL-86	REV: C		
			[E]		RSP.ENG.: G.PRICE	RELEASE DATE: 04-MAY-89		
			[F]		DATE: 21-JUL-86	RELEASE STATUS: RELEASED		
			[H]		MFG.ENG: R.COOKE	TOP DOCUMENT NUMBER: D-IA-7022786-0-DBU		
			[J]		DATE: 21-JUL-86	EDIT #: 2		
BASIC PART NUMBER: 7022786			ASSEMBLY NUMBER: D-IA-7022786-0-DBU					
FILE NAME: 7022786C.PLS								

"THIS DRAWING AND THE SPECIFICATIONS CONTAINED HEREIN ARE CONFIDENTIAL AND PROPRIETARY. THEY ARE THE PROPERTY OF DIGITAL EQUIPMENT CORPORATION AND SHALL NOT BE REPRODUCED OR COPIED OR USED IN WHOLE OR IN PART AS THE BASIS FOR THE MANUFACTURE OR SALE OF ITEMS WITHOUT WRITTEN PERMISSION. THIS IS AN UNPUBLISHED WORK PROTECTED UNDER THE FEDERAL COPYRIGHT LAWS."