

**VT05 alphanumeric
display terminal
engineering drawings**

First Printing August 1971

Copyright © 1971 by Digital Equipment Corporation

The material in this manual is for informational purposes and is subject to change without notice.


The following are trademarks of Digital Equipment Corporation, Maynard, Massachusetts:

DEC	PDP
FLIP CHIP	FOCAL
DIGITAL	COMPUTER LAB

MASTER DRAWING LIST

MAINTENANCE MANUALS		UNIT VARIATIONS																				
NO.	TITLE	VT05-0																				
VT05-0	ALPHA-NUMERIC TERMINAL																					

USED ON OPTIONS						

REVISIONS		CHG. NO.	APP'D.	DATE	DATE	 DIGITAL EQUIPMENT CORPORATION <small>MAYNARD, MASSACHUSETTS</small>	TITLE ALPHA-NUMERIC TERMINAL (VT05)	SIZE	CODE	NUMBER	REV.			
REV.	DATE	CHG. NO.	APP'D.	DATE	DATE				A	ML	VT05-0	W		
A	7/71	00028	<i>mcB</i>	5/7/71	5/7/71									
B	8/71	00031	<i>mcB</i>	6/3/71	6/3/71									
C	8/71	00034	<i>mcS</i>	6/13/71	6/13/71									
D	9/71	00036	<i>R.P.</i>	6/7/71	6/7/71									
E	9/71	00038	<i>R.P.</i>											
F	11/71	00041	<i>R.P.</i>											
H	12/71	00046	<i>R.P.</i>											
J	2/72	00048	<i>M.A.</i>											
K	4/72	00050	<i>R.P.</i>											
L	7/72	00056	<i>R.P.</i>											
M	8/72	00057	<i>R.P.</i>											
N	9/72	00060	<i>N.H.</i>											
P	11/72	00061	<i>R.P.</i>											
R	12/72	00063	<i>R.P.</i>											
S	1/73	00064	<i>R.P.</i>											
T	1/73	00066	<i>E.C.</i>											
U	6/73	00070	<i>R.P./K</i>											
V	9/73	00071	<i>R.P.</i>											
W	11/73	00072	<i>R.P.</i>											
FIRST USED ON		VT05		SCALE	NONE		SIZE	A	CODE	ML	NUMBER	VT05-0	REV.	W
SHEET		1		OF		3		DIST.						

DRA 131

Dec 16-(325)-1048-N471

PRINT SET		DWG. NO.	REV. LET.	REV. NO. OF SHEETS	TITLE	OPTION NO.
X		D-UA-VT05-0-0	N	3	ALPHA-NUMERIC TERMINAL	
X		A-PL-VT05-0-0	N	3	ALPHA-NUMERIC TERMINAL	
X		D-DI-VT05-0-1	N	2	DRAWING INDEX LIST	
X		D-BD-VT05-0-25		1	VT05 BLOCK DIAGRAM	
X		E-CS-M7000-0-1	#	2	CURSOR CONTROL	
X		E-CS-M7001-0-1	#	2	CHARACTER GENERATOR & TIMING	
X		E-CS-M7002-0-1	#	2	MEMORY & MEMORY TIMING	
X		E-CS-M7003-0-1	#	2	INTERFACE (VT05A)	
X		D-CS-M7004-0-1	#	5	INTERFACE (VT05B)	
X		D-TD-VT05-0-02		1	STATIC Y COUNTER (M7000)	
X		D-TD-VT05-0-03		1	DYNAMIC Y COUNTER (M7002)	
X		D-TD-VT05-0-04		1	CURSOR UP (M7000)	
X		D-TD-VT05-0-05		1	CURSOR DOWN OR LF (M7000)	
X		D-TD-VT05-0-06		1	STATIC X COUNTER (M7000)	
X		D-TD-VT05-0-07		1	DYNAMIC X COUNTER (M7000)	
X		D-TD-VT05-0-08		1	CURSOR TO RIGHT (M7000)	
X		D-TD-VT05-0-09		1	TAB LOGIC (M7000)	
X		D-TD-VT05-0-10		1	CURSOR TO LEFT (M7000)	
X		D-TD-VT05-0-11		1	CARRIAGE RETURN (M7000)	
X		D-TD-VT05-0-12		1	AUTOMATIC CR/LF (M7000)	
X		D-TD-VT05-0-13		1	HOME (M7000)	
X		D-TD-VT05-0-14		1	X & Y COMPARATOR (M7001)	
X		D-TD-VT05-0-15		1	ROW SELECT CIRCUIT (M7001)	
X		D-TD-VT05-0-16	B	1	CHARACTER LOCATION COUNTER (M7001)	
X		D-TD-VT05-0-17	A	1	CURSOR SYNCHRONIZER (M7001)	
X		D-TD-VT05-0-18	A	1	MAIN MEMORY TIMING (M7002)	
X		D-TD-VT05-0-19		1	ERASE SCREEN & ERASE LINE CRT (M7001)	
TITLE		ALPHA NUMERIC TERMINAL		SHEET 2 OF 3	SIZE CODE A ML	NUMBER VT05-0
						REV. W

DRA 132

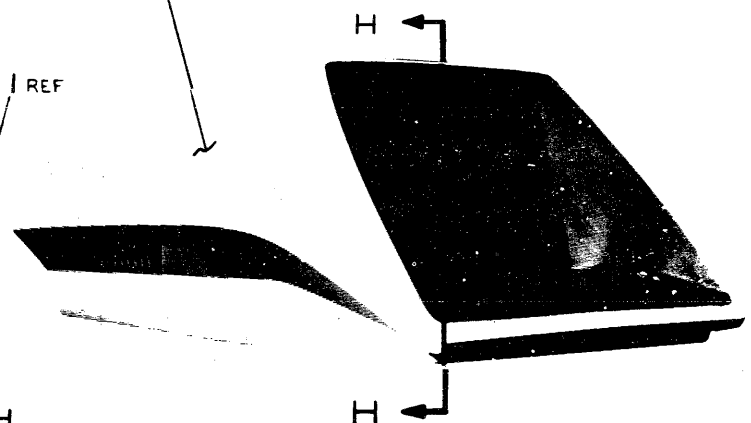
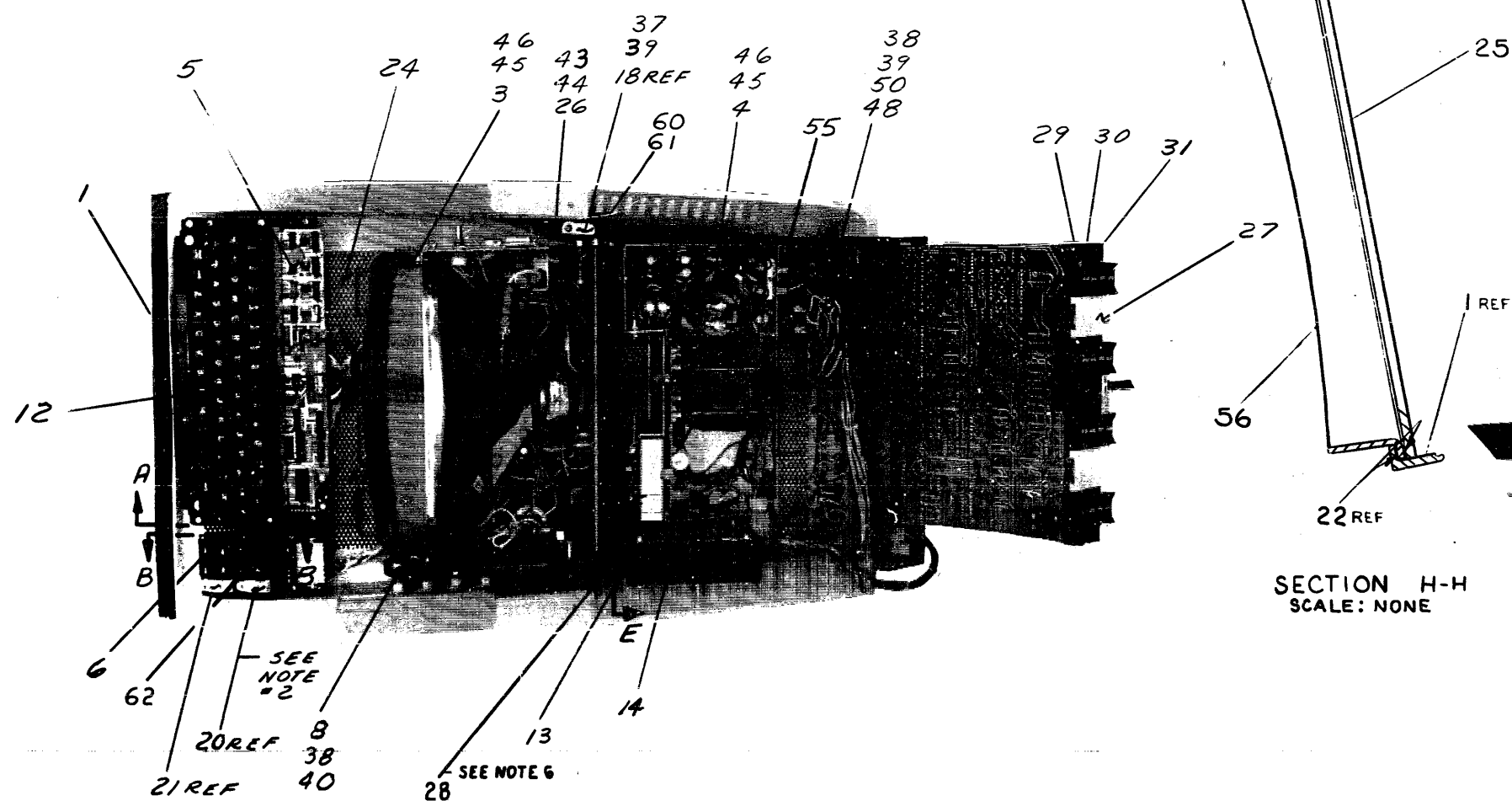
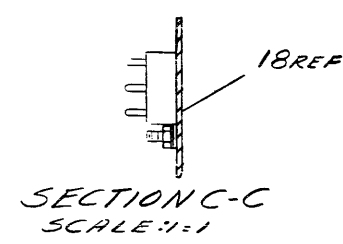
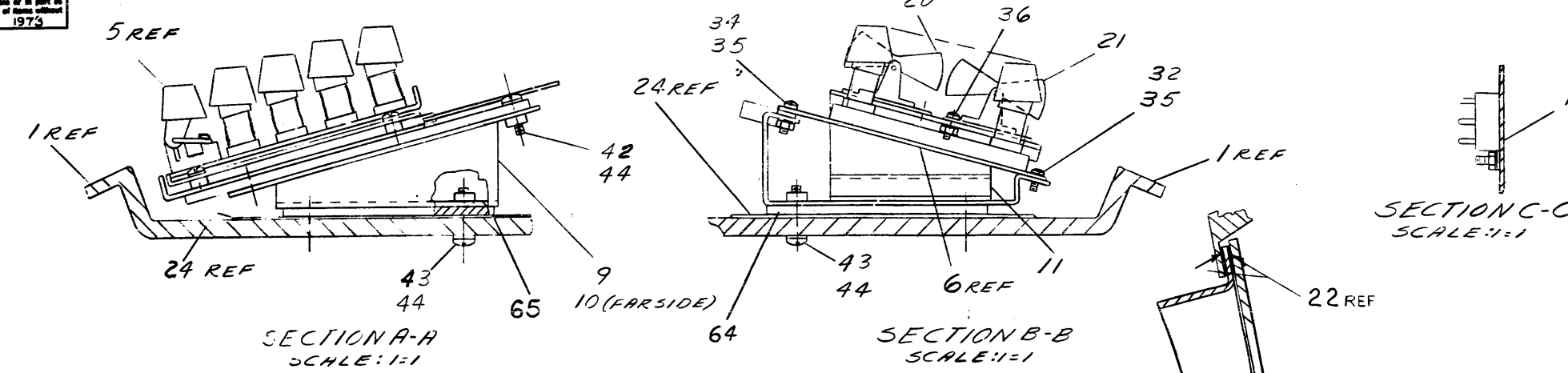
PRINT SET		DWG. NO.	REV. LET.	REV. NO. OF SHEETS	TITLE	OPTION NO.
X		D-TD-VT05-0-20		1	BELT CIRCUIT (M7001)	
X		D-TD-VT05-0-21	A	1	TEST PATTERN GENERATOR (M7002)	
X		D-TD-VT05-0-22		1	CAD (M7001)	
X		D-TD-VT05A-0-01	A	1	BAUD RATE GENERATOR (M7003)	
X		D-TD-VT05A-0-02	A	1	RECEIVER TIMING (M7003)	
X		C-JA-VT05B-00-00	B	1	HIGH SPEED VT05	
X		A-PL-VT05B-00-00	B	1	HIGH SPEED VT05	
X		C-UA-VT05A-00-00	B	1	LOW SPEED VT05	
X		A-PL-VT05A-00-00	B	2	LOW SPEED VT05	
X		D-AD-5409945-0-0	#	3	KEYBOARD ASSY	
X		D-MU-VT05-0-23	A	1	VT05 BUSS ASSIGNMENTS	
X		A-SP-7665078-0-0	A	3	U.L. REQUIREMENTS FOR VT05	
X		D-IC-VT05-0-24	C	1	VT05 PWR & SIGNAL WIRING	
X		A-AL-VT05-0-30	B	1	ACCESSORY LIST	
X		A-SJ-VT05-0-31	B	1	SOFTWARE LIST	
X		A-SP-VT05-0-26	B	2	ACCEPTANCE PROCEDURES (CUSTOMER)	
X		A-SP-VT05-0-27	B	22	PRODUCTION CHECKOUT PROCEDURES	
X		A-SP-VT05-0-28	A	9	ACCEPTANCE SPECIFICATIONS	
X		A-SP-VT05-0-29	A	37	ENGINEERING SPECIFICATIONS	
X		D-CS-H733-1-1	#	1	SCHEMATIC PWR. SUPPLY	
X		D-CS-H733-0-1	#	1	SCHEMATIC PWR SUPPLY	
X		D-CS-E020-0-1	#	1	SCHEMATIC BUS BOARD	
X		D-CS-3010326-0-3	#	2	SCHEMATIC VT05 RASTER DISPLAY	
X		D-CS-3010325-0-2	#	2	SCHEMATIC SCOPE	
X		D-CS-5409945-0-1	#	1	SCHEMATIC DEC KEYBOARD #2	
X		A-PL-5409945-0-0	#	3	PARTS LIST DEC KEYBOARD #2	
X		D-CS-3010166-0-1	#	1	SCHEMATIC DEC KEYBOARD #2 (PURCHASED)	
X		D-AD-7007232-0-0	#	1	POT ASSY	
X		A-PL-7007232-0-0	#	1	POT ASSY	
X		D-AD-5410224-0-0	#	2	CURSOR BOARD ASSY (KEYBOARD)	
TITLE		ALPHA NUMERIC TERMINAL		SHEET 3 OF 3	SIZE CODE A ML	NUMBER VT05-0
						REV. W

DRA 132

DEC 16 (325)-1048-1-N471

This drawing and specifications, herein, are the property of Digital Equipment Corporation and shall not be reproduced or copied or used in whole or in part as the basis for the manufacture or sale of items without written permission. 1973

- NOTES:**
1. ASSEMBLE BASE BOARD (ITEM 51) TO BASE (ITEM 1) FIRST, BEFORE ASSEMBLING ANY OTHER ITEMS.
 2. FOR ASSEMBLY REFERENCE ON/OFF ROCKER (ITEM *20) MUST BE MOUNTED TO SWITCH WITH RED/WHITE TWO LEADS IN POSITION SHOWN.
 3. DECAL HAS PRESSURE SENSITIVE ADHESIVE. LOCATE AS SHOWN, WHERE .09 ± .03 DIMENSION IS DISTANCE BETWEEN THE TOP OF PRINTING AND BOTTOM EDGE OF 4" HOLES.
 4. UL LABEL TO BE ATTACHED UNDER TELEPRINTER CONNECTOR ONLY IF THE UNIT IS DEEMED WITHIN UL SPECS BY PRODUCTION.
 5. THERE ARE 2 UL LABELS, 1 FOR 115V AC AND 1 FOR 230V AC. USE PROPER LABEL.
 6. FOAM (ITEM *28) MOUNTED TO INSIDE OF COVER ABOVE MODULE HANDLES.



REV	DATE	BY	CHKD	DESCRIPTION
1	10-10-72	G. GRAMAM		REVISED TO 115V AC
2	11-15-72	G. GRAMAM		REVISED TO 230V AC
3	12-15-72	G. GRAMAM		REVISED TO 115V AC
4	1-15-73	G. GRAMAM		REVISED TO 230V AC
5	2-15-73	G. GRAMAM		REVISED TO 115V AC
6	3-15-73	G. GRAMAM		REVISED TO 230V AC
7	4-15-73	G. GRAMAM		REVISED TO 115V AC
8	5-15-73	G. GRAMAM		REVISED TO 230V AC
9	6-15-73	G. GRAMAM		REVISED TO 115V AC
10	7-15-73	G. GRAMAM		REVISED TO 230V AC
11	8-15-73	G. GRAMAM		REVISED TO 115V AC
12	9-15-73	G. GRAMAM		REVISED TO 230V AC
13	10-15-73	G. GRAMAM		REVISED TO 115V AC
14	11-15-73	G. GRAMAM		REVISED TO 230V AC
15	12-15-73	G. GRAMAM		REVISED TO 115V AC
16	1-15-74	G. GRAMAM		REVISED TO 230V AC
17	2-15-74	G. GRAMAM		REVISED TO 115V AC
18	3-15-74	G. GRAMAM		REVISED TO 230V AC
19	4-15-74	G. GRAMAM		REVISED TO 115V AC
20	5-15-74	G. GRAMAM		REVISED TO 230V AC
21	6-15-74	G. GRAMAM		REVISED TO 115V AC
22	7-15-74	G. GRAMAM		REVISED TO 230V AC
23	8-15-74	G. GRAMAM		REVISED TO 115V AC
24	9-15-74	G. GRAMAM		REVISED TO 230V AC
25	10-15-74	G. GRAMAM		REVISED TO 115V AC
26	11-15-74	G. GRAMAM		REVISED TO 230V AC
27	12-15-74	G. GRAMAM		REVISED TO 115V AC
28	1-15-75	G. GRAMAM		REVISED TO 230V AC
29	2-15-75	G. GRAMAM		REVISED TO 115V AC
30	3-15-75	G. GRAMAM		REVISED TO 230V AC
31	4-15-75	G. GRAMAM		REVISED TO 115V AC
32	5-15-75	G. GRAMAM		REVISED TO 230V AC
33	6-15-75	G. GRAMAM		REVISED TO 115V AC
34	7-15-75	G. GRAMAM		REVISED TO 230V AC
35	8-15-75	G. GRAMAM		REVISED TO 115V AC
36	9-15-75	G. GRAMAM		REVISED TO 230V AC
37	10-15-75	G. GRAMAM		REVISED TO 115V AC
38	11-15-75	G. GRAMAM		REVISED TO 230V AC
39	12-15-75	G. GRAMAM		REVISED TO 115V AC
40	1-15-76	G. GRAMAM		REVISED TO 230V AC
41	2-15-76	G. GRAMAM		REVISED TO 115V AC
42	3-15-76	G. GRAMAM		REVISED TO 230V AC
43	4-15-76	G. GRAMAM		REVISED TO 115V AC
44	5-15-76	G. GRAMAM		REVISED TO 230V AC
45	6-15-76	G. GRAMAM		REVISED TO 115V AC
46	7-15-76	G. GRAMAM		REVISED TO 230V AC
47	8-15-76	G. GRAMAM		REVISED TO 115V AC
48	9-15-76	G. GRAMAM		REVISED TO 230V AC
49	10-15-76	G. GRAMAM		REVISED TO 115V AC
50	11-15-76	G. GRAMAM		REVISED TO 230V AC
51	12-15-76	G. GRAMAM		REVISED TO 115V AC
52	1-15-77	G. GRAMAM		REVISED TO 230V AC
53	2-15-77	G. GRAMAM		REVISED TO 115V AC
54	3-15-77	G. GRAMAM		REVISED TO 230V AC
55	4-15-77	G. GRAMAM		REVISED TO 115V AC
56	5-15-77	G. GRAMAM		REVISED TO 230V AC
57	6-15-77	G. GRAMAM		REVISED TO 115V AC
58	7-15-77	G. GRAMAM		REVISED TO 230V AC
59	8-15-77	G. GRAMAM		REVISED TO 115V AC
60	9-15-77	G. GRAMAM		REVISED TO 230V AC
61	10-15-77	G. GRAMAM		REVISED TO 115V AC
62	11-15-77	G. GRAMAM		REVISED TO 230V AC
63	12-15-77	G. GRAMAM		REVISED TO 115V AC
64	1-15-78	G. GRAMAM		REVISED TO 230V AC
65	2-15-78	G. GRAMAM		REVISED TO 115V AC

QTY.	DESCRIPTION	PART NO.	UNIT
1	ALPHA-NUMERIC TERMINAL	DUAVT05-0-0	N

EQUIPMENT CORPORATION

ALPHA-NUMERIC TERMINAL

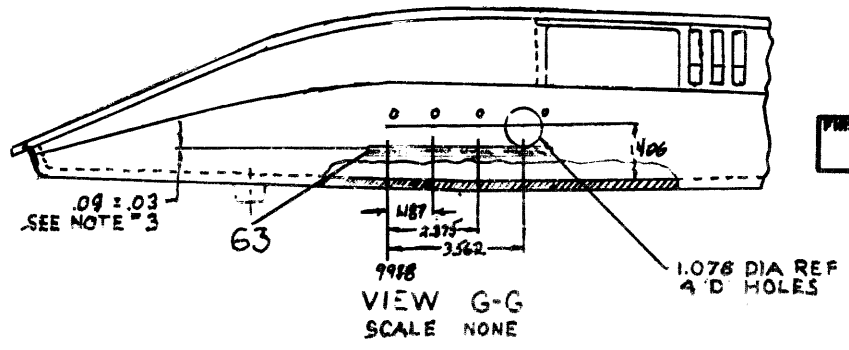
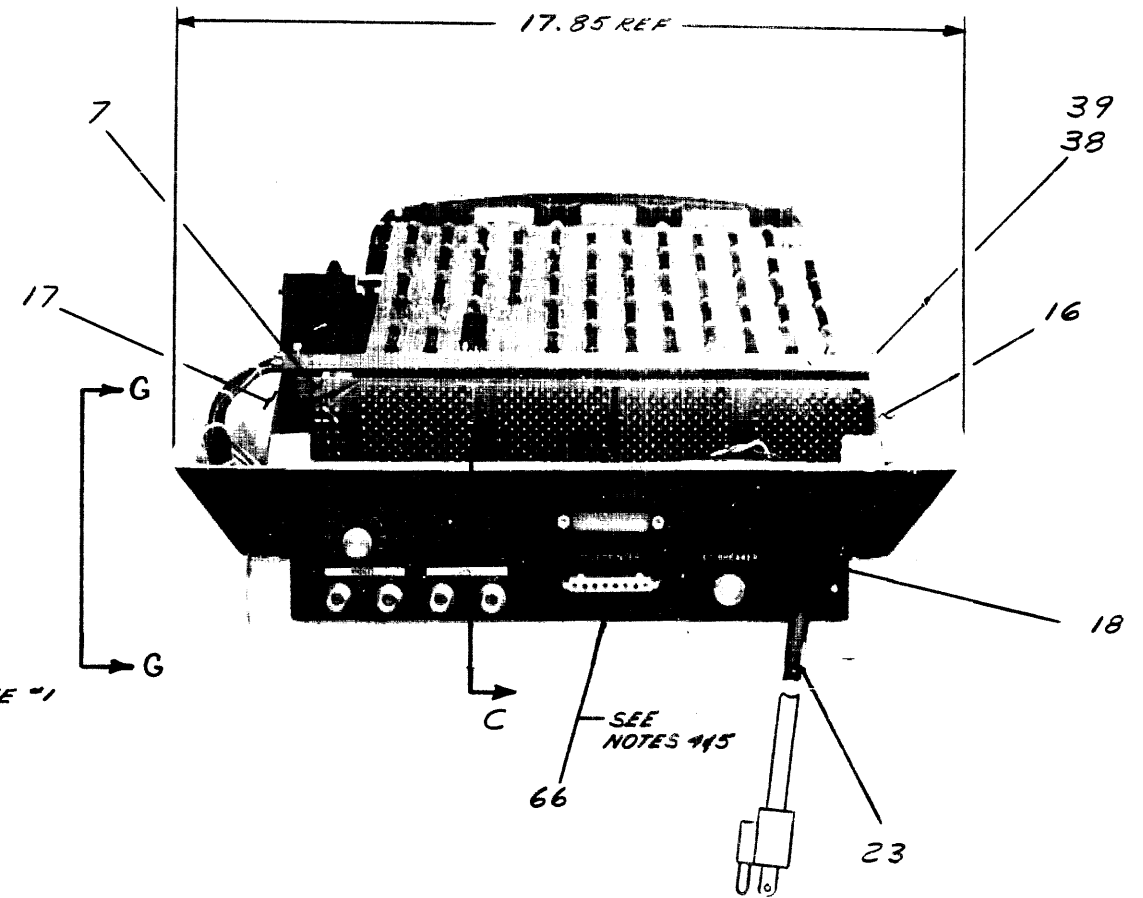
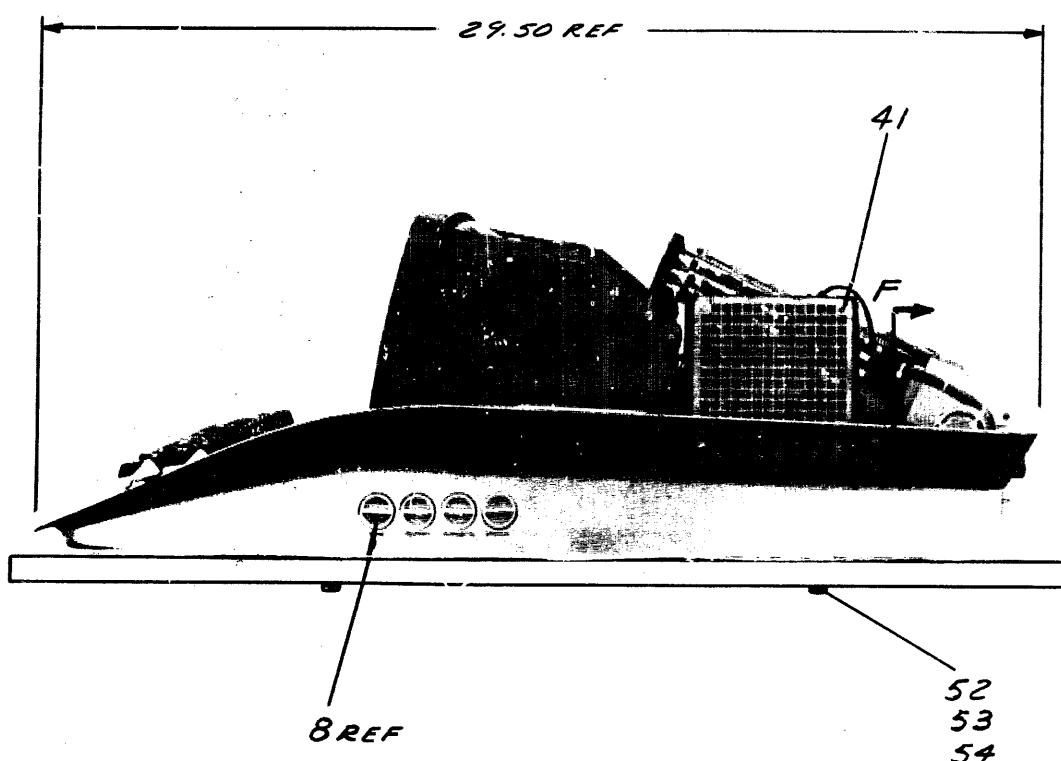
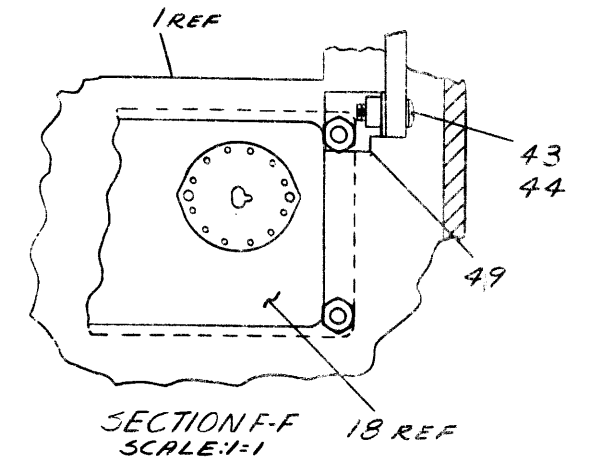
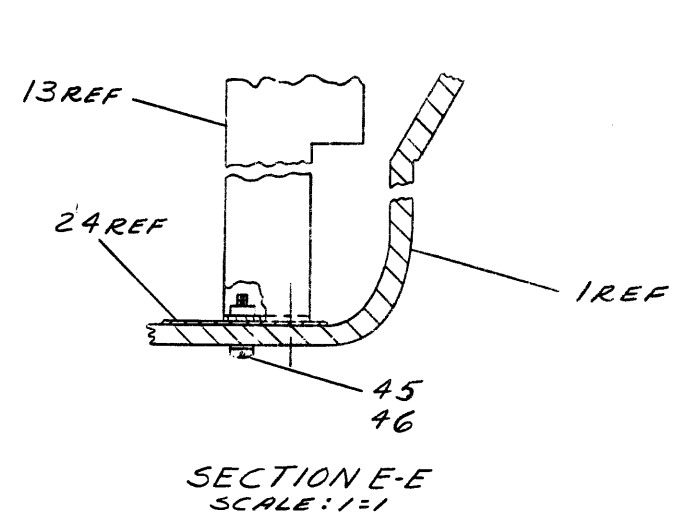
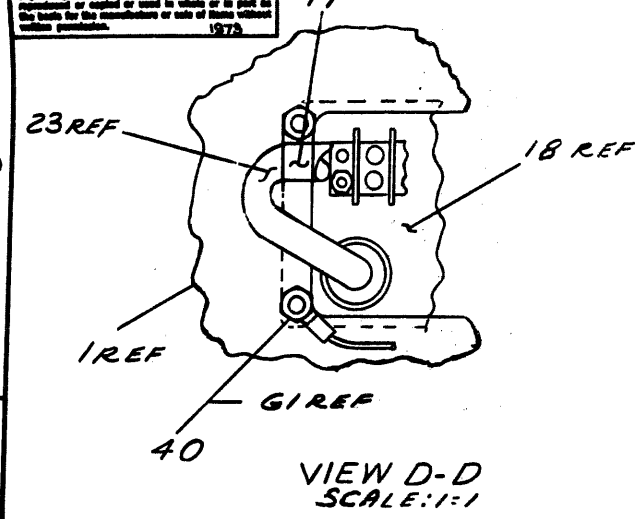
DUAVT05-0-0

SCALE: NONE

REV: G

This drawing and specifications, herein, are the property of Digital Equipment Corporation and shall not be reproduced or copied in whole or in part, or the basis for the manufacture or sale of items without written permission. 1975

N 0-0-501A 2

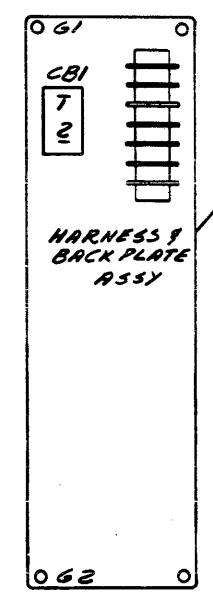
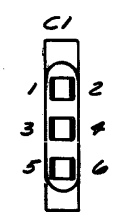
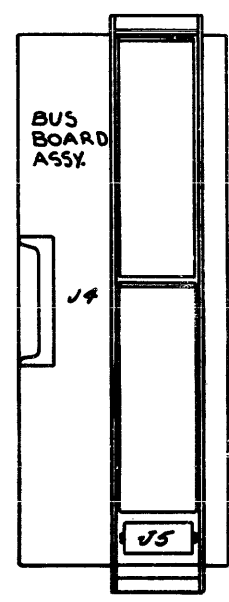
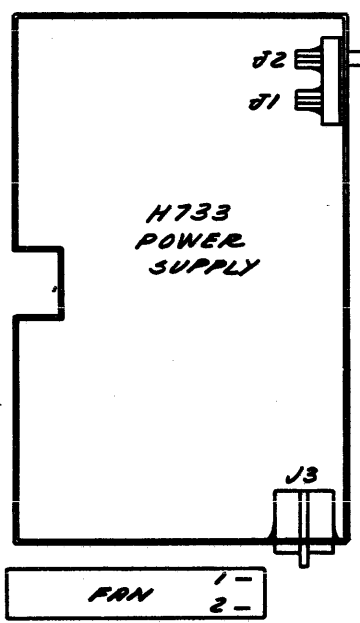
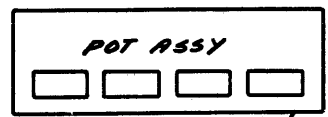
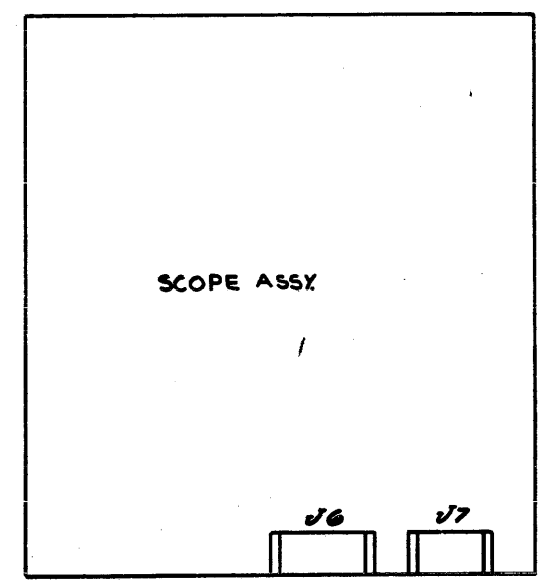
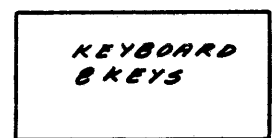
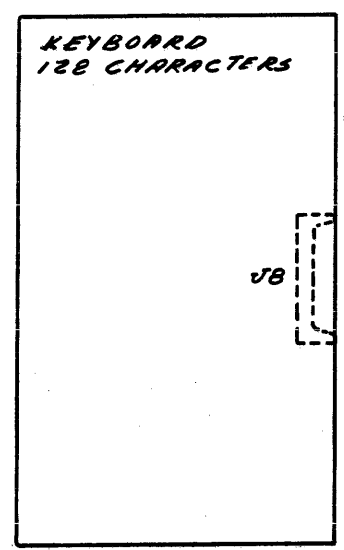


FIRST USED ON OPTION/MODEL
VT05

UNLESS OTHERWISE SPECIFIED
DIMENSIONS IN INCHES
TOLERANCES UNLESS OTHERWISE SPECIFIED
FRACTIONS DECIMALS
.005 .010 .015 .020 .030 .040 .050 .060 .070 .080 .090 .100
.0005 .0010 .0015 .0020 .0030 .0040 .0050 .0060 .0070 .0080 .0090 .0100

QTY.	DESCRIPTION	PART NO.	REV.
	PARTS LIST		
	EQUIPMENT CORPORATION		
	TITLE		
	ALPHA-NUMERIC TERMINAL		
	NEWY HIGHWAY ASSY		
	A-ML-VT05-0		
	DUAVT05-0-0		
	N		

WIRE TABLE					WIRE TABLE				
ITEM NO.	DESCRIPTION	FROM HARN. CONNECTION	TO CONNECTION		ITEM NO.	DESCRIPTION	FROM HARN. CONNECTION	TO CONNECTION	
18	-	-	P6	J8	18	-	-	P2	J4
18	22	YEL	102	SPI-2	18	18	WHT	4A	C1-3
18	22	DRN	103	SPI-1	18	18	RED	4B	C1-5
8	-	-	P1	J7	18	18	BLK	4C	C1-1
18	-	-	P7	J6	18	18	BLK	3A	G1
18	-	-	134	FAN-1	23	-	WHT	-	C1-6
18	-	-	135	FAN-2	23	-	GRN	-	G1
18	-	-	P4	J3	23	-	BLK	-	CBI-2
18	-	-	P3	J5	18	18	BLK	63	G2
18	-	-	P1	J1	55	-	-	-	J2



55 REF

18 REF

8 REF

FIRST USED ON OPTOR MODEL VT05	QTY	DESCRIPTION	PART NO	ITEM NO
UNLESS OTHERWISE SPECIFIED DIMENSIONS IN INCHES TOLERANCES DECIMALS FRACTIONS ANGLES ± .000 ± .004 ± 0°30'	DATE 3/1/71	DATE 5/21/71	DATE 5/21/71	DATE 5/21/71
MATERIAL ++	PARTS LIST			
FINISH ++	ALPHA-NUMERIC TERMINAL			
A-ML-VT05-0		SCALE NONE	SIZE CODE DUA	NUMBER VT05-0-0
SHEET 3 OF 3		REV N	DRAWN	

REV
CHANGE NO
DATE

VT05-0-0

DIGITAL EQUIPMENT CORPORATION
MAYNARD, MASSACHUSETTS

PARTS LIST

MADE BY P. MARCOTTE
DATE 4/20/71
ENG [Signature]
DATE 5/12/71

CHECKED [Signature]
DATE 5-6-71
PROD BY [Signature]
DATE 5/12/71

SECTION 1
ISSUED SECT. 1

ITEM NO	DWG NO. / PART NO.	DESCRIPTION	QUANTITY / VARIATION
1	E-PS-1210913-0-0	PLASTIC BASE	1
2	E-PS-1210914-0-0	PLASTIC COVER	1
3	3010326	SCOPE ASSY	1
4	A-PL-H733-0-0	H733 POWER SUPPLY	1
5	LK01-0	KEYBOARD (128 CHARACTERS)	1
6	3010166-1	KEYBOARD (3 KEYS)	1
7	E-IA-E020-0-0	BUS BOARD (VT05)	1
8	D-AD-7007232-0-0	POT ASSY	1
9	C-IA-7408638-1-0	BRACKET, LARGE KEYBOARD (R.H.)	1
10	C-IA-7408638-2-0	BRACKET, LARGE KEYBOARD (L.H.)	1
11	D-IA-7408852-0-0	BRACKET, SMALL KEYBOARD	1
12	1210299	SPEAKER, 16Ω, 1/2W QUAM	1
13	D-IA-7408573-0-0	BRACKET, FAN	1
14	1209942-01	FAN	1
15	C-MD-7408481-0-0	SCREEN, FAN	2
16	C-IA-7408580-1-0	RETAINER CONNECTOR BLOCK	1
17	C-IA-7408580-2-0	RETAINER, CONNECTOR BLOCK	1
18	D-IA-7007231-0-0	HARNES & BACK PLATE ASSY	1
19	9007083	CLAMP, CAELE NYLON 3/8	1
20	B-SC-1210348-0-0	BUTTON, ROCKER SWITCH	1
21	B-SC-1210349-0-0	BUTTON, ROCKER SWITCH	1
22	9008894-1	TAPE 1/4IN. WIDE	1/R

TITLE ALPHA-NUMBER TERMINAL

ASSY NO. D-UA-VT05-0-0

SIZE CODE A PL

NUMBER VT05-0-0

REV N

ECO NO VT05-00072

SHEET 1 OF 3

DEC FORM NO. 16-1031

DIGITAL EQUIPMENT CORPORATION
MAYNARD, MASSACHUSETTS

PARTS LIST

MADE BY P. MARCOTTE
DATE 4/20/71
ENG [Signature]
DATE 5/12/71

CHECKED [Signature]
DATE 5-6-71
PROD BY [Signature]
DATE 5/12/71

SECTION 1
ISSUED SECT. 1

ITEM NO	DWG NO. / PART NO.	DESCRIPTION	QUANTITY / VARIATION
23	C-IA-7008502-9-0	POWER CORD	1
24	E-MD-7408891-0-0	SCREEN, PROTECTIVE	1
25	D-IA-74C8585-0-0	SHIELD, SCOPE	1
26	B-IA-7408894-0-0	BRACKET, MTG SWITCH	1
27	1209856-01	MODULE HOLDER	2
28	74-11477	FCAM MODULE SOLD DOWN	1
29	E-CS-M7000-0-1	CURSOR CONTROL	1
30	E-CS-M7001-0-1	CHARACTER GENERATOR & TIMING	1
31	E-CS-M7002-0-1	MEMORY & MEMORY TIMING	1
32	9008301-1	SCR PHL PAN HD #4-40 X .25LG SST	2
33	9006010-1	SCR PHL PAN HD #4-40x.31 IG SST	4
34	9006011-1	SCR PHL PAN HD #4-40 X .38LG SST	2
35	9006632	LOCKWASHER #4 INT T	6
36	9006557	NUT, KEPS #4-40 HEX	4
37	9006022-1	SCR PHL PA N HD #6-32X.38LG SST	2
38	9006024-1	SCR PHL PAN HD #6-32X.50 IG SST	12
39	9006633	LOCKWASHER #6 INT TOOTH	14
40	9006560	NUT, KEPS #6-32 HEX SST	6
41	9006121	SCR, FILL HD POZI-DRIVE 8-32X.29STL	8
42	9006039-1	SCR, PHL PAN HD #8-32 X.50 LG SST	5
43	9006040-1	SCR, PHL PAN HD #8-32X.62LG SST	11
44	9006634-1	LOCKWASHER #8 INT TOOTH	16

TITLE ALPHA-NUMERIC TERMINAL

ASSY NO. D-UA-VT05-0-0

SIZE CODE A PL

NUMBER VT05-0-0

REV N

ECO NO

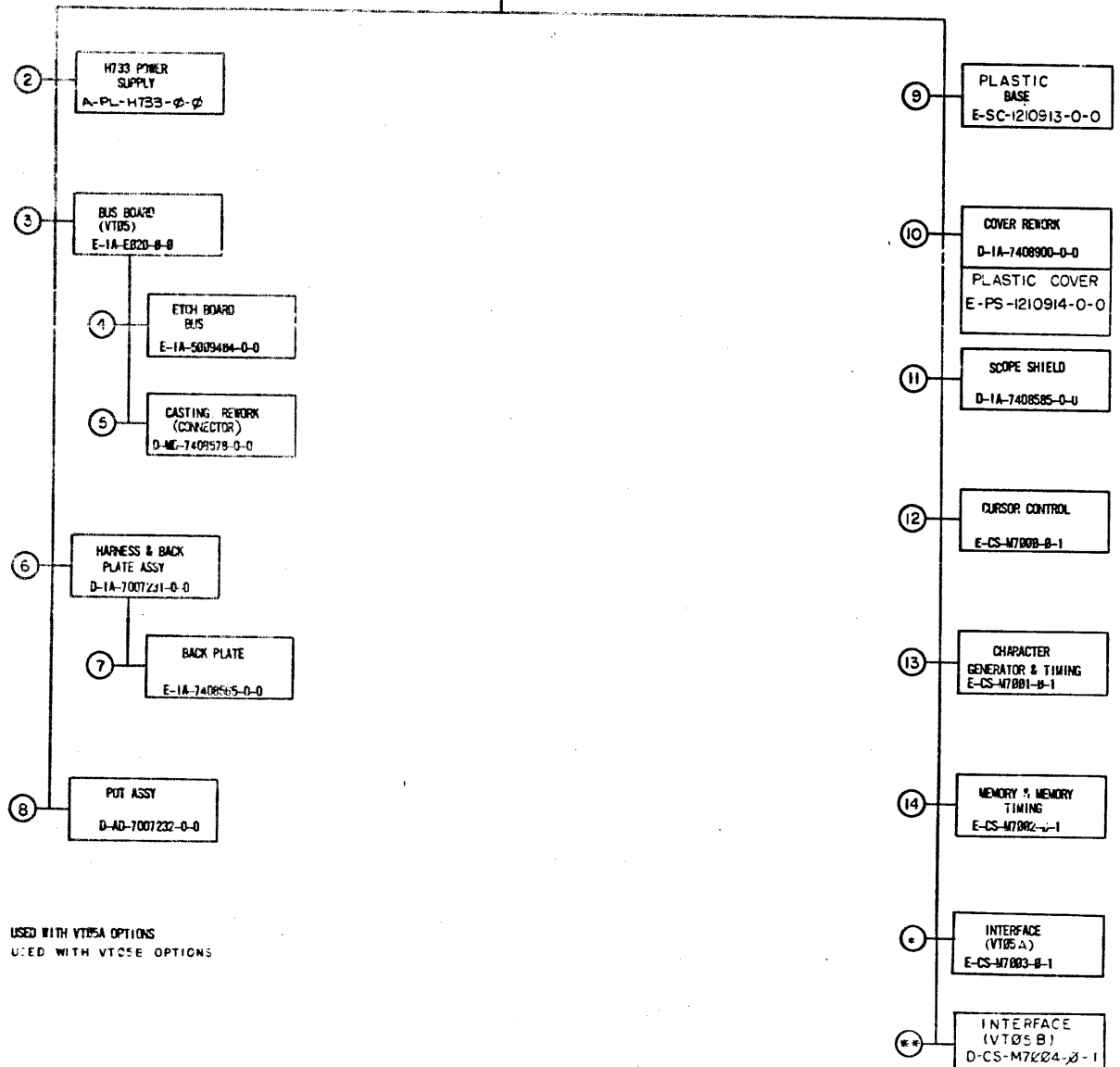
SHEET 2 OF 3

DEC FORM NO. 16-1031

DRA 110

DIGITAL EQUIPMENT CORPORATION MAYNARD, MASSACHUSETTS					QUANTITY / VARIATION															
PARTS LIST																				
MADE BY P. MARCOTTE		CHECKED <i>V. Cox</i>		SECTION																
DATE 4/20/71		DATE 5-6-71		1																
ENG <i>K. S. P. 200</i>		PROD <i>By B. B. 1/1</i>		ISSUED SECT.																
DATE 5/13/71		DATE 5/14/71		1																
ITEM NO.	DWG NO. / PART NO.	DESCRIPTION																		
45	9006074-1	SCR PHL PAN HD #10-32 X .62LG SST			12															
46	9006636	LOCK WASHER #10 INT TOOTH			12															
47																				
48	1000034	CAP. 2X.1 MFD 1000 VDC			1															
49	B-IA-7408607-0-0	BRACKET, SHIPPING			1															
50	9006584	NUT, SPEED TINN. #C8901-632-4			4															
51	D-MD-7605976-0-0	BASEBOARD, MOUNTING			1															
52	9006060-3	SCR PHL TRUSS HD 1/4-20X1.0 LG SST			4															
53	9006669	WASHER 1/4			4															
54	9006637	LOCKWASHER INT TOOTH 1/4			4															
55	B-IA-7008425-1-0	JUMPER ASSY POWER SUPPLY			1															
56	D-SC-1210479 0-0	VT05 SCOPE MASK			1															
57	1210581	WASHER, NYLON (FEET)			4															
58	1210582	SCREW NYLON (FEET)			4															
59	C-IA-7008519-0-0	INTERFACE CABLE			1															
60	B-MD-7409285-0-0	INSULATOR			1															
61	9009041-2	SCR, NYLON #6-32 x 1/4			2															
62	C-IA-7008612-0-0	CABLE, KEYBOARD INTERCONN.			1															
63	3611183	DECAL, TV CONTROLS			1															
64	B-MD-7410759-0-0	SHIM PLATE, SM KEYBOARD			1															
65	B-MD-7410760-0-0	SHIM PLATE, LG KEYBOARD			2															
66	A-DC-7410785-0-0	DECAL, UL LABEL			1															
TITLE				ASSY NO.		SIZE	CODE	NUMBER		REV.	ECO NO									
ALPHA-NUMBER TERMINAL				D-UA-VT05-0-0		A	PL	VT05-0-0		N										
				SHEET 3 OF 3		DIST.														

1
 ALPHA-NUMERIC
 TERMINAL
 D-UM-VT05-B-B



* USED WITH VT05A OPTIONS
 ** USED WITH VT05E OPTIONS

REV	CHG	NO	DATE	BY	APP	DESCRIPTION
1						
2						
3						
4						
5						
6						
7						
8						
9						
10						
11						
12						
13						
14						
15						
16						

FIRST USED ON OPTION/MODEL
 VT05

DO NOT SCALE DRAWING
 UNLESS OTHERWISE SPECIFIED
 DIMENSION IN INCHES
 DECIMALS TO 3 PLACES
 TOLERANCES ANGLES
 ± .005 ± .164 ± .032
 FINAL SURFACE QUALITY
 REMOVE BURRS AND BREAK SHARP
 CORNERS

QTY.	DESCRIPTION	PART NO.	ITEM NO.
	PARTS LIST		
	EQUIPMENT CORPORATION MAYNARD MASSACHUSETTS		
	TITLE DRAWING INDEX LIST		
	NEXT HIGHER ASSY A-ML-VT05-0	SIZE/CODE D	NUMBER DI-VT05-0-1
	SCALE NONE	SHEET 1	OF 2
		DIST.	

REV. 1
 N
 DDI-VT05-0-1

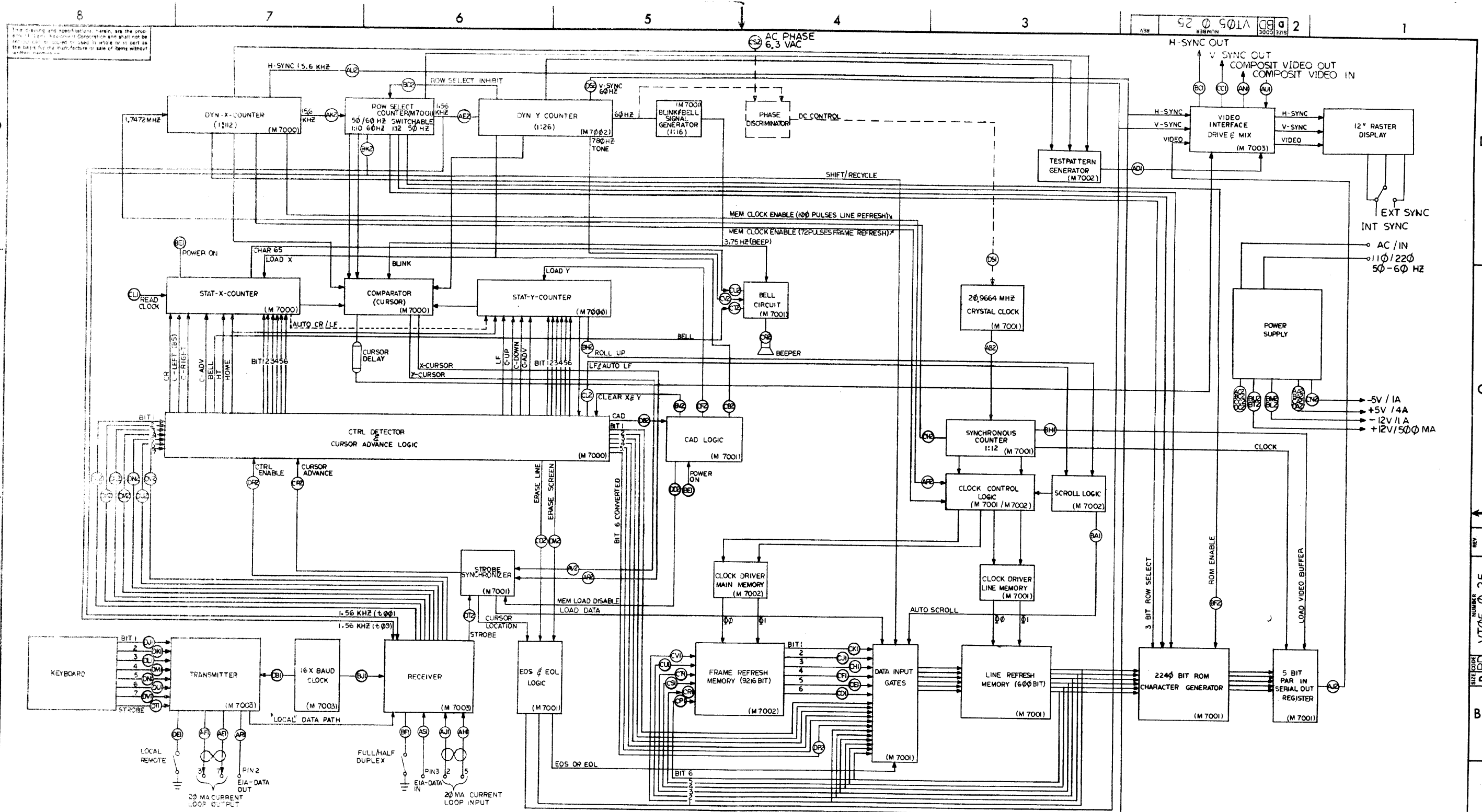
This drawing and specifications, herein, are the property of Digital Equipment Corporation and shall not be reproduced or copied or used in whole or in part as the basis for the manufacture or sale of items without written permission.

MECHANICAL				DEPT USAGE			MECHANICAL				DEPT USAGE			ELECTRICAL				DEPT USAGE			ELECTRICAL				DEPT USAGE																									
FIND NO.	DESCRIPTION	PART NO.	PROD	CUST	F/C	FIND NO.	DESCRIPTION	PART NO.	PROD	CUST	F/C	FIND NO.	DESCRIPTION	PART NO.	PROD	CUST	F/C	FIND NO.	DESCRIPTION	PART NO.	PROD	CUST	F/C	FIND NO.	DESCRIPTION	PART NO.	PROD	CUST	F/C																					
D	1. ALPHA-NUMERIC TERMINAL ALPHA-NUMERIC TERMINAL (PL) RETAINER, CONNECTOR BLOCK BRACKET, LARGE KEYBOARD BRACKET, SMALL KEYBOARD BRACKET, FAN SCREEN, FAN BUTTON ROCKER SWITCH BUTTON ROCKER SWITCH SCREEN, PROTECTIVE BRACKET, SWITCH MTG POWER CORD JUMPER ASSY, POWER SUPPLY INTERFACE CABLE INSULATOR CABLE KEYBOARD INTERCONN DECAL, TV. CONTROLS SIGNATURE LG KEYBOARD SIGNATURE SM KEYBOARD DECAL, VUL LABEL FCAM MODULE HOLD DOWN H733 POWER SUPPLY	D-1A-VT05-B-B A-PL-7105-B-B C-1A-740850-0-0 C-1A-740852-0-0 D-1A-740852-0-0 D-1A-740853-0-0 C-MD-740481-0-0 B-SC-1210349-0-0 B-SC-1210349-0-0 E-MD-740885-0-0 B-1A-740885-0-0 C-1A-700825-0-0 B-1A-700825-0-0 C-1A-700825-0-0 B-MD-740825-0-0 A-PS-700825-0-0 B-MD-741076-0-0 B-MD-741075-0-0 A-PS-741075-0-0 B-MD-741077-0-0 A-PL-7433-0-0				12. CURSOR CONTROL X-Y COORDINATE HOLE LOC ASSY/DRILLING HOLE LAYOUT MODULE ECO HISTORY TEST PROCEDURE	E-SC-47000-B-1 K-CO-47000-B-4 D-AH-47000-B-5 B-MH-47000-B-6 A-SP-M7002-0-0					13. CHARACTER GENERATOR & TIMING X-Y COORDINATE HOLE LOC ASSY/DRILLING HOLE LAYOUT MODULE ECO HISTORY REAR SUPPORT BRKT CRYSTAL HOLDER BRKT TEST PROCEDURE	E-CS-47001-B-1 K-CO-47001-B-4 D-AH-47001-B-5 B-MH-47001-B-6 B-MD-4405-0-1-B-3 B-MD-4405-0-1-B-2 A-SP-M7001-0-0				14. MEMORY & MEMORY TIMING X-Y COORDINATE HOLE LOC ASSY/DRILLING HOLE LAYOUT MODULE ECO HISTORY TEST PROCEDURE	E-CS-47002-B-1 K-CO-47002-B-4 D-AH-47002-B-5 B-MH-47002-B-6 A-SP-M7002-0-0				1. ALPHA-NUMERIC TERMINAL STATIC Y COUNTER (M7000) DYNAMIC Y COUNTER (M7002) CURSOR LF (M7000) CURSOR DOWN OFLF (M7000) STATIC X COUNTER (M7000) DYNAMIC X COUNTER (M7000) CURSOR TO RIGHT (M7000) TAB LOGIC (M7000) CURSOR TO LEFT (M7000) CARRIAGE RETURN (M7000) AUTOMATIC CR LF (M7000) HOME (M7000) X & Y COMPARATOR (M7001) ROW SELECT CIRCUIT (M7001) CHARACTER LOCATION COUNTER (M7001) CURSOR SYNCHRONIZER (M7001) MAIN MEMORY TIMING (M7002) ERASE SCREEN & ERASE LINE CRT (M7001) BELL CIRCUIT (M7001) TEST PATTERN GENERATOR (M7002) CRO (M7001) VT05 BUSS ASSIGNMENTS VT05 PWR & SIGNAL WIRING VT05 BLOCK DIAGRAM ACCEPTANCE PROCEDURES (CUSTOMER) PRODUCTION CHECKOUT PROCEDURES ACCEPTANCE SPECIFICATIONS ENGINEERING SPECIFICATIONS SCHEMATIC, DEC. KEYBOARD*2 CURSOR BOARD ASSY, KEY BOARD SCHEMATIC, SCOPE ACCESSORY LIST SOFTWARE LIST SCHEMATIC VT05 RASTER DISPLAY PARTS LIST DEC KEYBOARD *2 KEYBOARD ASSY	A-ML-VT05-B D-TD-VT05-B-02 D-TD-VT05-B-03 D-TD-VT05-B-04 D-TD-VT05-B-05 D-TD-VT05-B-06 D-TD-VT05-B-07 D-TD-VT05-B-08 D-TD-VT05-B-09 D-TD-VT05-B-10 D-TD-VT05-B-11 D-TD-VT05-B-12 D-TD-VT05-B-13 D-TD-VT05-B-14 D-TD-VT05-B-15 D-TD-VT05-B-16 D-TD-VT05-B-17 D-TD-VT05-B-18 D-TD-VT05-B-19 D-TD-VT05-B-20 D-TD-VT05-B-21 D-TD-VT05-B-22 D-AH-VT05-B-23 D-IC-VT05-B-24 D-BO-VT05-B-25 A-SP-VT05-B-26 A-SP-VT05-B-27 A-SP-VT05-B-28 A-SP-VT05-B-29 LKD1-0 D-AC-5412224-0-0 D-CS-3010226-B-0 A-AL-VT05-B-30 A-SL-VT05-B-31 D-CS-3010226-B-3 A-PL-5409945-0-0 D-AD-5409945-0-0 D-CS-4733-B-1 D-CS-H733-1-1 D-CS-H733-2-1																											
		C	4. ETCH BOARD, BUS	E-1A-500940-0-0				* INTERFACE (VT05 A) X-Y COORDINATE HOLE LOC ASSY/DRILLING HOLE LAYOUT MODULE ECO HISTORY REAR SUPPORT BRKT CRYSTAL HOLDER BRKT TEST PROCEDURE	E-CS-47003-B-1 K-CO-47003-B-4 D-AH-47003-B-5 B-MH-47003-B-6 B-MD-4405-0-1-B-3 B-MD-4405-0-1-B-2 A-SP-M7003-0-0					** INTERFACE (VT05 B) X-Y COORDINATE HOLE LOC ASSY/DRILLING HOLE LAYOUT MODULE HISTORY REAR SUPPORT BRKT CRYSTAL HOLDER BRKT TEST PROCEDURE MODULE TEST AND SYSTEM TEST STATION	D-CS-M7004-0-1 K-CO-M7004-0-4 D-AH-M7004-0-5 B-MH-M7004-0-6 B-MD-4405-0-1-C-3 B-MD-4405-0-1-C-2 A-SP-M7004-0-0					2. SCHEMATIC, POWER SUPPLY SCHEMATIC POWER SUPPLY SCHEMATIC POWER SUPPLY	D-CS-E020-B-1					3. CIRCUIT SCHEMATIC PC-500940-0-1				4. PRINTED CIRCUIT LAYOUT PC-500940-0-1																				
				5. CASTING, REWORK (CONNECTOR) CASTING, THREE BLOCK	D-MD-740850-0-0 E-SC-1209583-0-0																																													
		B	6. HARNESS & BACK PLATE ASSY POWER HARNESS	D-1A-700231-0-0 J-1A-700869-0-0					7. BACK PLATE SILK SCREEN	E-1A-740856-0-0 B-SS-740656-0-1					8. POT ASSY POT ASSY (PL) R002 1" DIA. BRACKET, POTS MTG	D-MD-740722-0-0 A-PL-740722-0-0 C-SC-1210227-0-0 C-MD-740854-0-0					9. PLASTIC BASE		E-PS-1210513-0-0				10. COVER, REWORK COVER PLASTIC COVER	D-1A-740890-0-0 E-SC-1210221-0-0 E-PS-1210914-0-0				11. SCOPE SHIELD SILK SCREEN SILK SCREEN	U-1A-740856-0-0 A-SS-740856-0-1 C-SS-740856-0-2																	
				A	7. BACK PLATE SILK SCREEN		E-1A-740856-0-0 B-SS-740656-0-1																																											
					8. POT ASSY POT ASSY (PL) R002 1" DIA. BRACKET, POTS MTG		D-MD-740722-0-0 A-PL-740722-0-0 C-SC-1210227-0-0 C-MD-740854-0-0																																											
					9. PLASTIC BASE		E-PS-1210513-0-0																																											
					10. COVER, REWORK COVER PLASTIC COVER		D-1A-740890-0-0 E-SC-1210221-0-0 E-PS-1210914-0-0																																											
					11. SCOPE SHIELD SILK SCREEN SILK SCREEN		U-1A-740856-0-0 A-SS-740856-0-1 C-SS-740856-0-2																																											

REVISIONS	REV	DATE	BY	DESCRIPTION
	CHK	DATE	BY	DESCRIPTION
	PROG	DATE	BY	DESCRIPTION
	SCALE	DATE	BY	DESCRIPTION
	SHEET	DATE	BY	DESCRIPTION

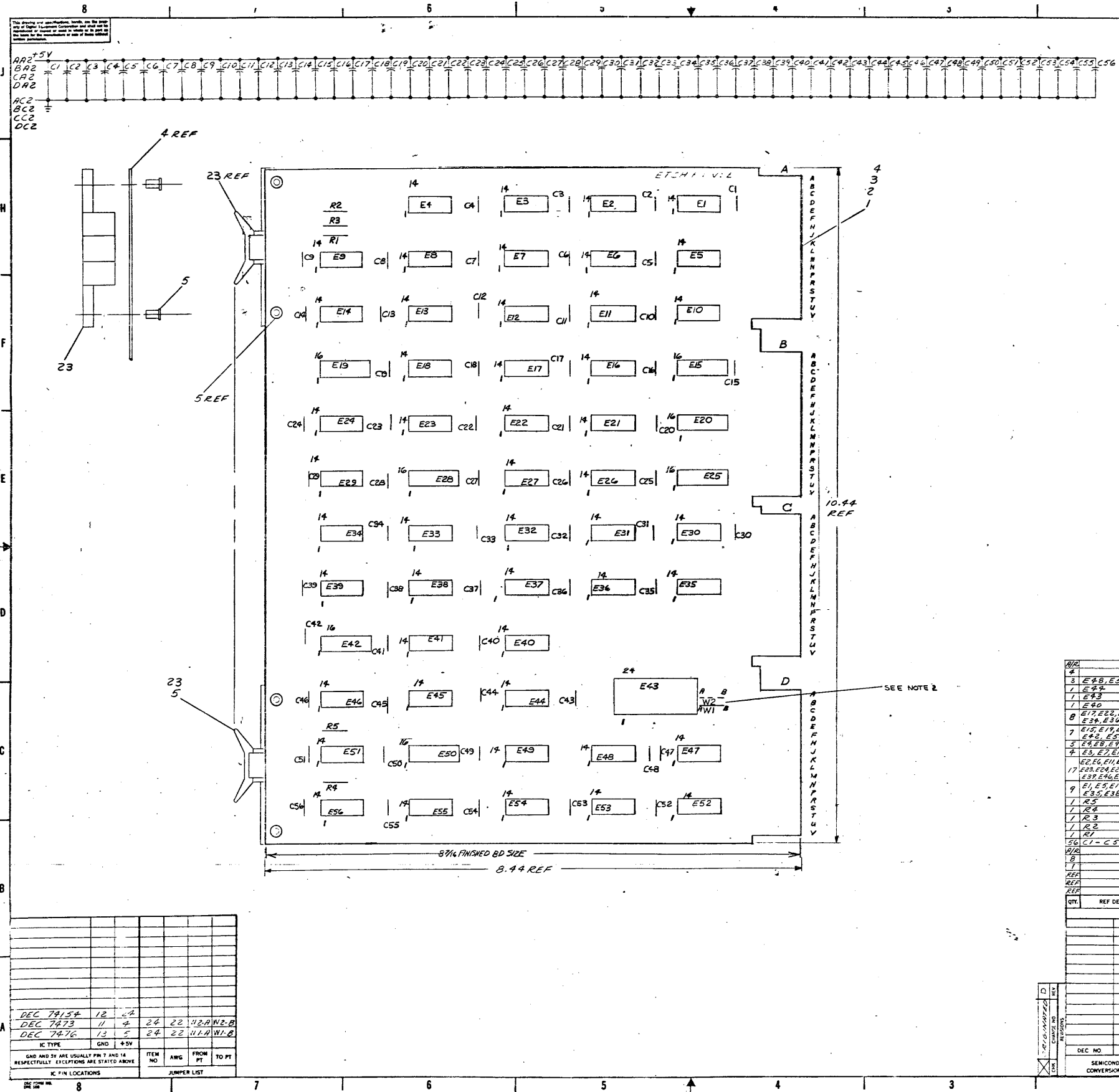
FIRST USED ON OPTICS/MODEL	VT05
DATE	3-27
CHK'D	
DATE	6-27
ENG	
DATE	
PROJ. ENG.	
DATE	
PROG.	
DATE	
NEXT HIGHER ASSY	A-ML-VT05-0
SCALE	1/1
SHEET	2 OF 2

EQUIPMENT CORPORATION MAYNARD, MASSACHUSETTS	
DRAWING INDEX LIST	
SIZE CODE	NUMBER
DIDI	VT05-0-1
REV	N



REV.	QTY.	DESCRIPTION	PART NO.	ITEM NO.
1		VT05		
PARTS LIST				
UNLESS OTHERWISE SPECIFIED DRG. DATE 5/1/71				
UNLESS OTHERWISE SPECIFIED CHKD. DATE 5/1/71				
DIMENSION IN INCHES				
TOLERANCES				
DECIMALS	FRACTIONS	ANGLES	DATE 6/16/71	
± .005	± 1/64	± 0°30'	PROJ. ENG. DATE 6/16/71	
FINAL SURFACE QUALITY				
REMOVE BURRS AND BREAK SHARP CORNERS				
MATERIAL				
NEXT HIGHER ASSY				
A-ML-VT05-0				
FINISH				
SCALE				
SHEET 1 OF 1				
digital EQUIPMENT CORPORATION MAYNARD, MASSACHUSETTS			TITLE	
			VT05 BLOCK DIAGRAM	
SIZE CODE		NUMBER		REV.
DBD		VT05-0-25		

REV. 25
NUMBER
VT05-0-25
SIZE CODE
DBD

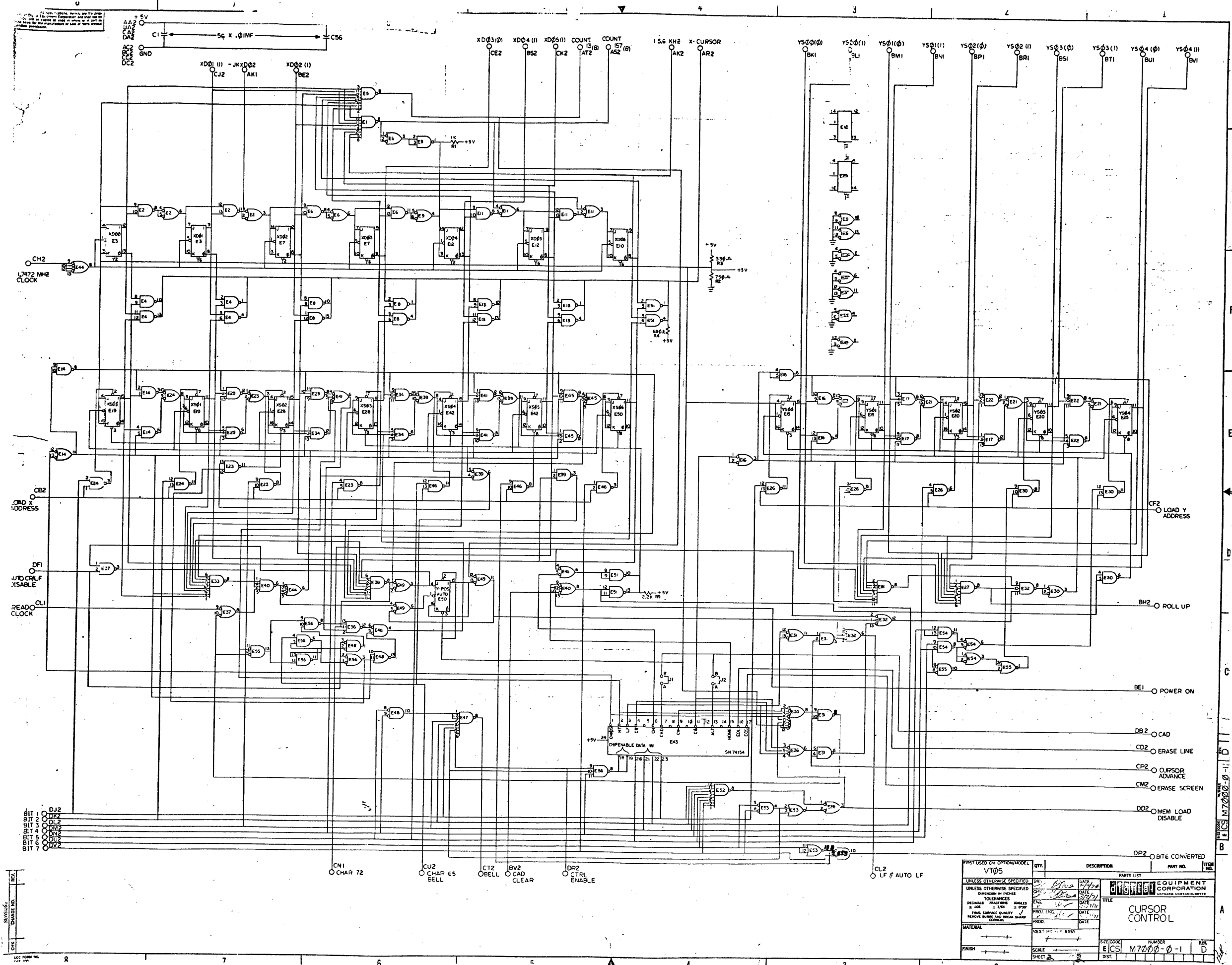


NOTES:
 1. UNLESS OTHERWISE NOTED:
 CAPACITORS = .01UF 100V 20%
 I.C.'S = DEC 7400
 2. JUMPERS SHOWN BY DOTTED LINES ARE
 OPTIONAL DO NOT INSERT

QTY.	REF DESIGNATION	DESCRIPTION	PART NO.	ITEM NO.
24	WIRE #AWG SOLID BUS	9107560-01		24
23	HANDLE-FLIP CHIP MAGENTA	9008337-06		23
3	E48, E53, E55	I.C. DEC 7402N	1905577	22
1	E44	I.C. DEC 7440N	1905579	21
1	E43	I.C. DEC 7415E	1905578	20
1	E40	I.C. DEC 7402N	1905577	19
8	E17, E22, E23, E24, E25, E26, E27, E28, E29, E30, E31, E32, E33, E34, E35, E36, E37, E38, E39, E40, E41, E42, E43, E44, E45, E46, E47, E48, E49, E50, E51, E52, E53, E54, E55, E56	I.C. DEC 7410	1905576	18
7	E15, E16, E17, E18, E19, E20, E21, E22, E23, E24, E25, E26, E27, E28, E29, E30, E31, E32, E33, E34, E35, E36, E37, E38, E39, E40, E41, E42, E43, E44, E45, E46, E47, E48, E49, E50, E51, E52, E53, E54, E55, E56	I.C. DEC 7476N	1905585	17
5	E48, E49, E53, E51	I.C. DEC 7401	1905590	16
4	E5, E7, E10, E12	I.C. DEC 7473N	1905587	15
17	E26, E14, E14, E14, E21, E22, E23, E24, E25, E26, E27, E28, E29, E30, E31, E32, E33, E34, E35, E36, E37, E38, E39, E40, E41, E42, E43, E44, E45, E46, E47, E48, E49, E50, E51, E52, E53, E54, E55, E56	I.C. DEC 7400N	1905575	14
9	E1, E5, E18, E27, E33, E35, E38, E42, E52	I.C. DEC 7430	1905578	13
1	R5	RES. 22K 1/4W 10% CC	1300918	12
1	R4	RES. 680 1/4W 5% CC	1301424	11
1	R3	RES. 330 1/4W 5% CC	1300235	10
1	R2	RES. 750 1/4W 5% CC	1301401	9
1	R1	RES. 1K 1/4W 5% CC	1300345	8
56	C1 - C56	CAP. 0.01UF 100V 50% DISC	1001610	7
6	WIRE	GRIPLETS, SMALL	121245-0	6
5	B	EYELET GSA-7E8STIMPSON	9006752	5
4	E1	ETCHED CIRCUIT BOARD	5009420	4
3	E1	INCLUDE ECO HISTORY	5111111111	3
2	REF	RES/DRILLING HOLE LAYOUT	D-VA-V172-B-2	2
1	REF	X-Y COORDINATE HOLE LOCATION	D-VA-V172-B-1	1

REV	DATE	BY	CHKD	DESCRIPTION
DEC 7415*	12	24	22	1/2 A N 2-B
DEC 7473	11	4	24	22
DEC 7476	13	5	24	22

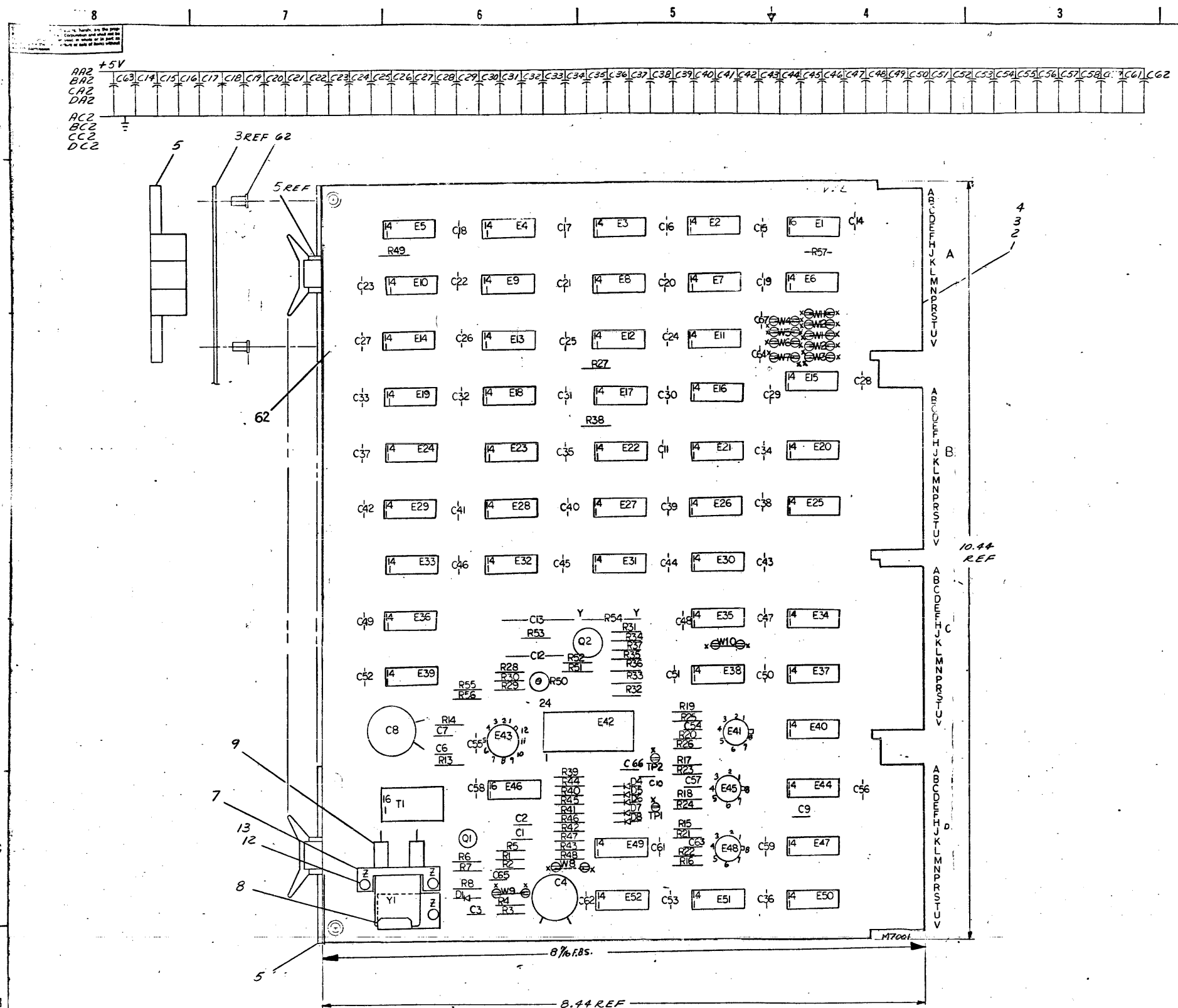
IC TYPE	GN	+5V	ITEM NO	AWG	FROM PT	TO PT
GND AND 5V ARE USUALLY PNT 7 AND 14 RESPECTIVELY. EXCEPTIONS ARE STATED ABOVE						
IC PIN LOCATIONS						
JUMPER LIST						



BIT 1 ○ DJ2
 BIT 2 ○ DJ2
 BIT 3 ○ DJ2
 BIT 4 ○ DJ2
 BIT 5 ○ DJ2
 BIT 6 ○ DJ2
 BIT 7 ○ DJ2

REV. CHANGE NO.
 DATE

QTY.	DESCRIPTION	PART NO.	ITEM NO.
	PARTS LIST		
	EQUIPMENT CORPORATION		
	CURSOR CONTROL		
	SIZE CODE	NUMBER	REV.
	EICS	M7000-0-1	D
	SCALE		
	SHEET		



NOTES:
 1. UNLESS OTHERWISE NOTED:
 CAPACITORS = .01UF 100V 20%
 RESISTORS = 1K 1/4W 5%
 I.C. = DEC 7400
 2. OPTIONAL JUMPER INDICATED BY DASH LINES. EXAMPLE: W2, W3, ETC

QTY	REF DESIGNATION	DESCRIPTION	PART NO.	ITEM NO.
1	C67	CAP 330PF, 100V, 5% DM	1000023	72
1	AK	SHRINK TUBING	9107250-09	77
26	TI	PULSE TRANSFORMER PEBO10	140957	79
1	C66	CAP. 220PF 100V 5% DM	1000021	68
1	AK	WIRE #22 AWG SOLID BUS	9107560-01	64
1	R2	TRANSISTOR, DEC 100B	1502155	65
1	C64	CAP. 270PF 100V 5% DM	1000022	64
1	C65	CAP. 680PF 100V 5% DM	1000026	63
8	B	GRIPLET G-54-75MMXMM	9006712	73
1	E46	I.C. DEC 7496	1910363	61
1	E43	I.C. NM 0013C	1910243	60
1	E42	I.C. MM 5290AM	1910583	59
3	E41, E45, E48	I.C. INTEL 1-507	1910218	58
1	E37	I.C. DEC 7404	1907686	57
3	E31, E35, E38	I.C. DEC 7426	1910236	56
4	E29, E33, E36, E39	I.C. DEC 7442	1909068	55
1	E28	I.C. DEC 7410	1909057	54
1	E15	I.C. DEC 7493	1909054	53
4	E12, E18, E31, E32, E47, E50	I.C. DEC 7410	1905576	52
6	E11, E34, E40, E44, E47, E50	I.C. DEC 7401	1905590	51
6	E8, E9, E14, E16, E21, E34	I.C. DEC 7473	1905587	50
2	E1, E32	I.C. DEC 7440	1905579	49
1	E6	I.C. DEC 7420	1905577	48
2	E4, E20	I.C. DEC 7471	1905587	47
5	E3, E23, E26, E30, E49, E19, E22, E25, E27	I.C. DEC 7402	1909004	46
9	E2, E5, E10, E13, E17, E19, E22, E25, E27	I.C. DEC 7400	1905575	45
1	E1	I.C. DEC 7476	1905585	44
1	R56	RES. 750 1/4W 5% CC	1301401	43
1	R55	RES. 330 1/4W 5% CC	1300295	42
1	R54	RES. 100 1/4W 5% CC	1300232	41
1	R53	RES. 5.1 1/4W 5% CC	1309422	40
1	R51	RES. 220 1/4W 10% CC	1300275	39
1	R50	RES. 2K 1/2W 1% DISC	1309414	38
1	R49	RES. 180 1/4W 5% CC	1301422	37
6	R1, R24, R48	RES. 1.5K 1/4W 5% CC	1301422	36
3	R28, R29, R30	RES. 10K 1/4W 5% CC	1300479	35
10	R27, R31, R38, R52	RES. 1K 1/4W 5% CC	1300365	34
6	R15, R20	RES. 3K 1/4W 5% CC	1300432	33
2	R13, R14	RES. 10 1/4W 5% CC	1301317	32
12	R17, R18, R26, R37, R43	RES. 3.3K 1/4W 5% CC	1300437	31
2	R6, R8	RES. 470 1/4W 5% CC	1300376	30
1	R5	RES. 100 1/4W 5% CC	1300229	29
1	R4	RES. 15K 1/4W 5% CC	1300476	28
1	R3	RES. 100K 1/4W 5% CC	1302466	27
2	R2, R57	RES. 1.5K 1/4W 5% CC	1300391	26
5	D4-D8	DIODE D664	1100114	24
1	D1	DIODE D662	1100113	23
1	C13	CAP. 150UF 6V 20% TANT	1005572	21
1	C12	CAP. 1UF 100V 10% ELEC	1005507	20
49	C4-C59, C61-C63	CAP. .01UF 100V 20% DISC	1001610	19
2	C6, C7	CAP. 1500PF 200V 10% DISC	1000054	18
2	C8, C9	CAP. 10UF 100V 20% DISC	1000030	17
1	C3	CAP. 1000PF 200V 20% DISC	1000013	16
4	C16, C9, C10	CAP. 100PF 100V 5% DM	1000010	15
1	Q1	TRANSISTOR, DEC 3009B	1503100	14
3	N1, NEX #256	SST 9006555	13	
3	SCB PHLD PAN #2-54x.25L6	4006001-1	12	
1	AK	GRIPLET	1210244-0	11
1	C11	CAP. 470PF 100V 10% DM	1000024	10
2	INSULATOR	8000PM 120812	9	
1	R48	RES. SUPPORT BRKT	530825	8
1	L	CRYSTAL HOLDER BRCT	5303154	7
1	Y1	CRYSTAL 20.966KHZ	1810243-0	6
4	HANDLE, FLIP CHIP	ARGES 4008237-06	5	
1	ETCHED CIRCUIT BOARD	5009472	4	
1	MODULE ECO HISTORY	814-1111-16	3	
1	REF	ASSY/DRILLING HOLE LAYOUT	944-1111-15	2
1	AK	X-Y COORDINATE HOLE LOC. CO. RTM-4-1	1	

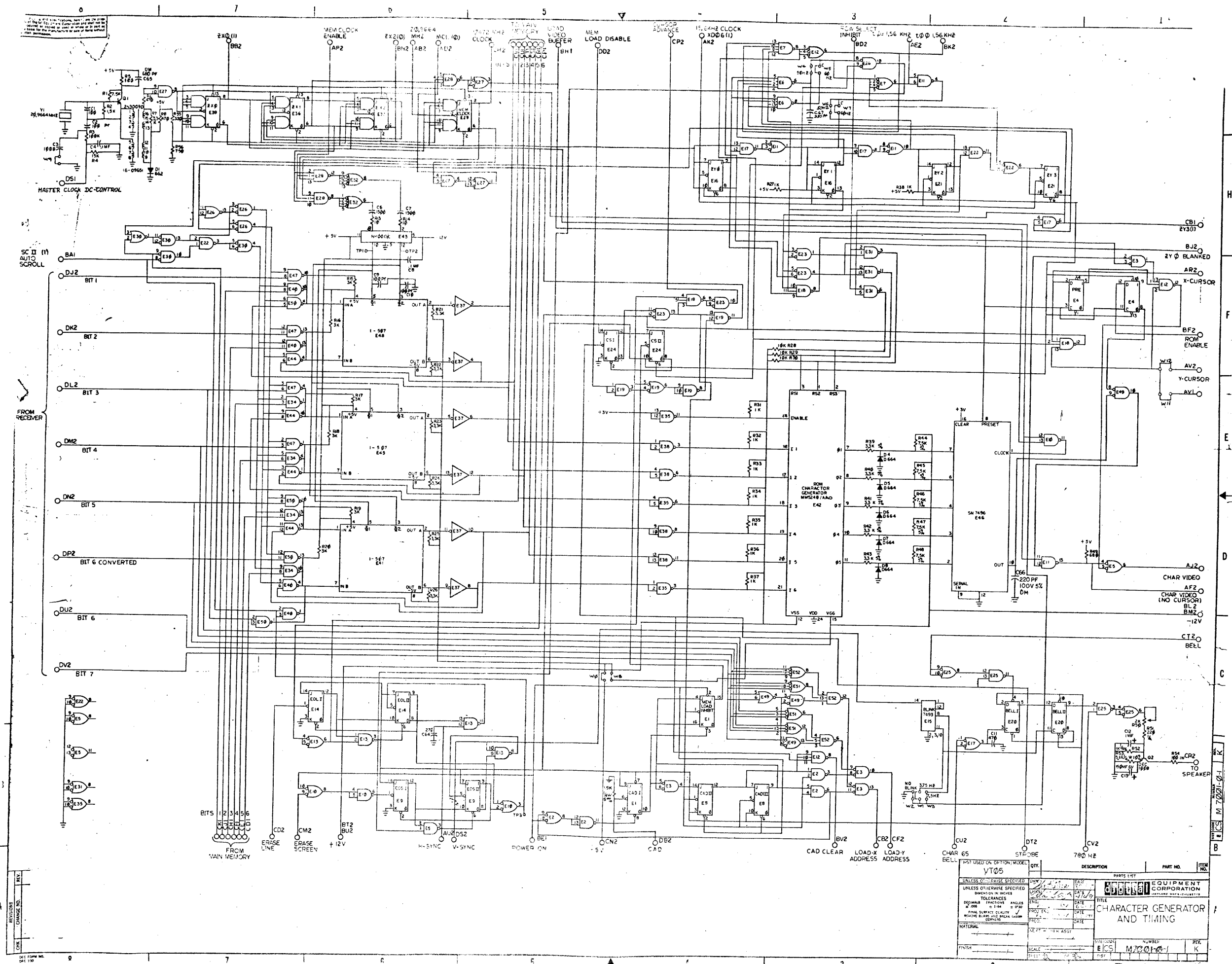
IC TYPE	AWG	FROM PT	TO PT
INTEL 1-507	22	W12-A	W12-B
	22	W11-A	W11-B
	22	W10-A	W10-B
MM5240 AAO	22	W9-A	W9-B
	24	W8-A	W8-B
		W7-A	W7-B
NH0013C	24	W6-A	W6-B
	3	W5-A	W5-B
I.C. 7496	12	W4-A	W4-B
I.C. 7493	10	W3-A	W3-B
I.C. 7476	13	W2-A	W2-B
	22	W1-A	W1-B

GND AND 5V ARE USUALLY PIN 7 AND 14 RESPECTIVELY. EXCEPTIONS ARE STATED ABOVE.
 IC PIN LOCATIONS

DATE	REV	DESCRIPTION	BY	CHKD
DEC 1008	MM 1008			
DEC 3002	EN 3002			
INS 148	1			
D664	1N3606			
D662	1N645			

SEMICON. CONVERSION CHART
 SHEET 1 OF 2

EQUIPMENT CORPORATION
 CHARACTER GENERATOR AND TIMING
 ECS M7001-0-1



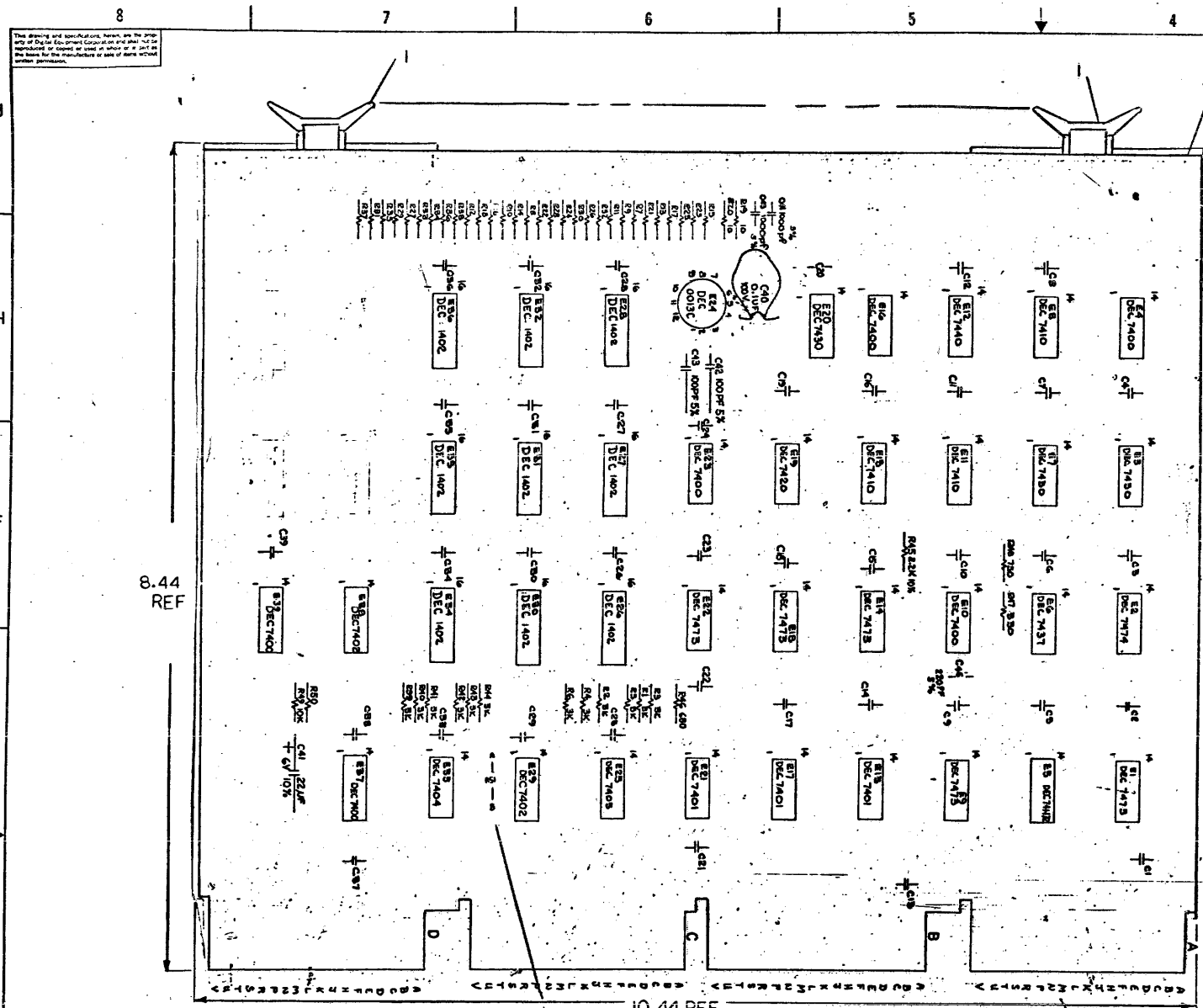
1. The circuit is designed to generate character data and timing signals for a video display. It uses a combination of counters and logic gates to produce the required signals.

REV.	DESCRIPTION
1	ORIGINAL
2	REVISED
3	REVISED
4	REVISED
5	REVISED
6	REVISED
7	REVISED
8	REVISED
9	REVISED
10	REVISED

UNLESS OTHERWISE SPECIFIED		DIMENSION IN INCHES		TOLERANCES		MATERIAL	
DECIMALS	FRACTIONS	ANGLES	FINISH	DRILL	PLATE	FINISH	DRILL
±0.005	±1/64	±0.005	AS SHOWN	AS SHOWN	AS SHOWN	AS SHOWN	AS SHOWN
±0.001	±0.001	±0.001	AS SHOWN	AS SHOWN	AS SHOWN	AS SHOWN	AS SHOWN
±0.002	±0.002	±0.002	AS SHOWN	AS SHOWN	AS SHOWN	AS SHOWN	AS SHOWN
±0.003	±0.003	±0.003	AS SHOWN	AS SHOWN	AS SHOWN	AS SHOWN	AS SHOWN
±0.004	±0.004	±0.004	AS SHOWN	AS SHOWN	AS SHOWN	AS SHOWN	AS SHOWN
±0.005	±0.005	±0.005	AS SHOWN	AS SHOWN	AS SHOWN	AS SHOWN	AS SHOWN

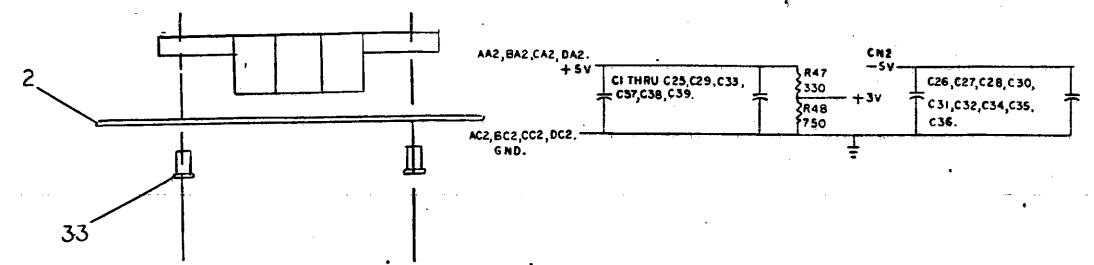
DESCRIPTION		QTY.	PART NO.	ITEM NO.
VT05				
CHAR 65 BELL				
STROBE				
780 HZ				
TO SPEAKER				

GENERAL EQUIPMENT CORPORATION
 TITLE: CHARACTER GENERATOR AND TIMING
 DRAWN BY: EIC
 CHECKED BY: M3001-1
 DATE: 1964



NOTES:
UNLESS OTHERWISE NOTED:
CAPACITORS = .01 UF, 100V, 20%
RESISTORS = 4.7K, 1/4 W, 5%.

DRILL 2#53 HOLES ON 5/8 CENTERS
AT A AND B.



QTY	REF DESIGNATION	DESCRIPTION	PART NO.	ITEM NO.
2	EYELET	.059 X .125	9008331	37
1	E6	IC DEC 7437	1910091	36
1	R51	RES. 120 1/4W 5% CC	1300243	35
1	C46	CAP 220 PF 100V 5%	1000021	34
8	EYELET	G54-7 E.B. STIMPSON	9006732	33
9	E26, E27, E28, E29, E30, E31, E32, E33, E34, E35, E36	IC DEC 1402	1910206	32
1	E24	IC DEC 0013C	1910243	31
1	E25	IC DEC 7405	1909930	30
1	E33	IC DEC 7404	1909686	29
1	E5	IC DEC 74H72	1909068	28
2	E29, E38	IC DEC 7402	1909004	27
3	E13, E17, E21	IC DEC 7401	1905590	26
5	E1, 9, 14, 18, 22	IC DEC 7473	1905587	25
1	E12	IC DEC 7440	1905579	24
3	E3, E7, E20	IC DEC 7430	1905578	23
3	E8, E11, E15	IC DEC 7410	1905576	22
6	E4, E10, E16, E23, E27, E39	IC DEC 7400	1905575	21
1	E2	IC DEC 7474	1905574	20
1	E19	IC DEC 7420	1905577	19
1	R46	RES 680 1/4W 5%	1301424	18
1	R48	RES 750 1/4W 5%	1301401	17
2	R19, R20	RES 10 1/4W 5%	1301317	16
1	R49	RES 10K 1/4W 5%	1300472	15
31	R7-R18, R21-R38, R50	RES 4.7K 1/4W 5%	1300447	14
12	R1-R6, R39-R44	RES 3K 1/4W 5%	1300432	13
1	R45	RES 2.2K 1/4W 10%	1300418	12
1	R47	RES 330 1/4W 5%	1300295	11
1	C40	CAP 0.1UF 100V 20% DISC	1000030	10
1	C41	CAP 22 UF 5V 10% TANT	1005636	9
39	C1 THRU C39	CAP .01UF 100V 20% DISC	1001610	8
2	C44, C45	CAP 1000 PF 100V 5% DM	1000042	7
2	C42, C43	CAP 100 PF 100V 5% DM	1000016	6
1		ETCHED CIRCUIT BOARD	5009419	5
REF		MODULE ECO HISTORY	B-MH-M7002-0-6	4
REF		ASSY. DRILLING HOLE LAYOUT	D-AH-M7002-0-5	3
REF		X-Y COORDINATE HOLE LOC	M-CO-M7002-0-4	2
4		HANDLE FLIP CHIP-MAGENTA	9008337-06	1

IC TYPE	GND	+5V	ITEM NO.	AWG	FROM PT	TO PT
DEC 1402	11	5				
NH0013C	3	11				
DEC 7473	11	4				

ETCH BOARD REV D

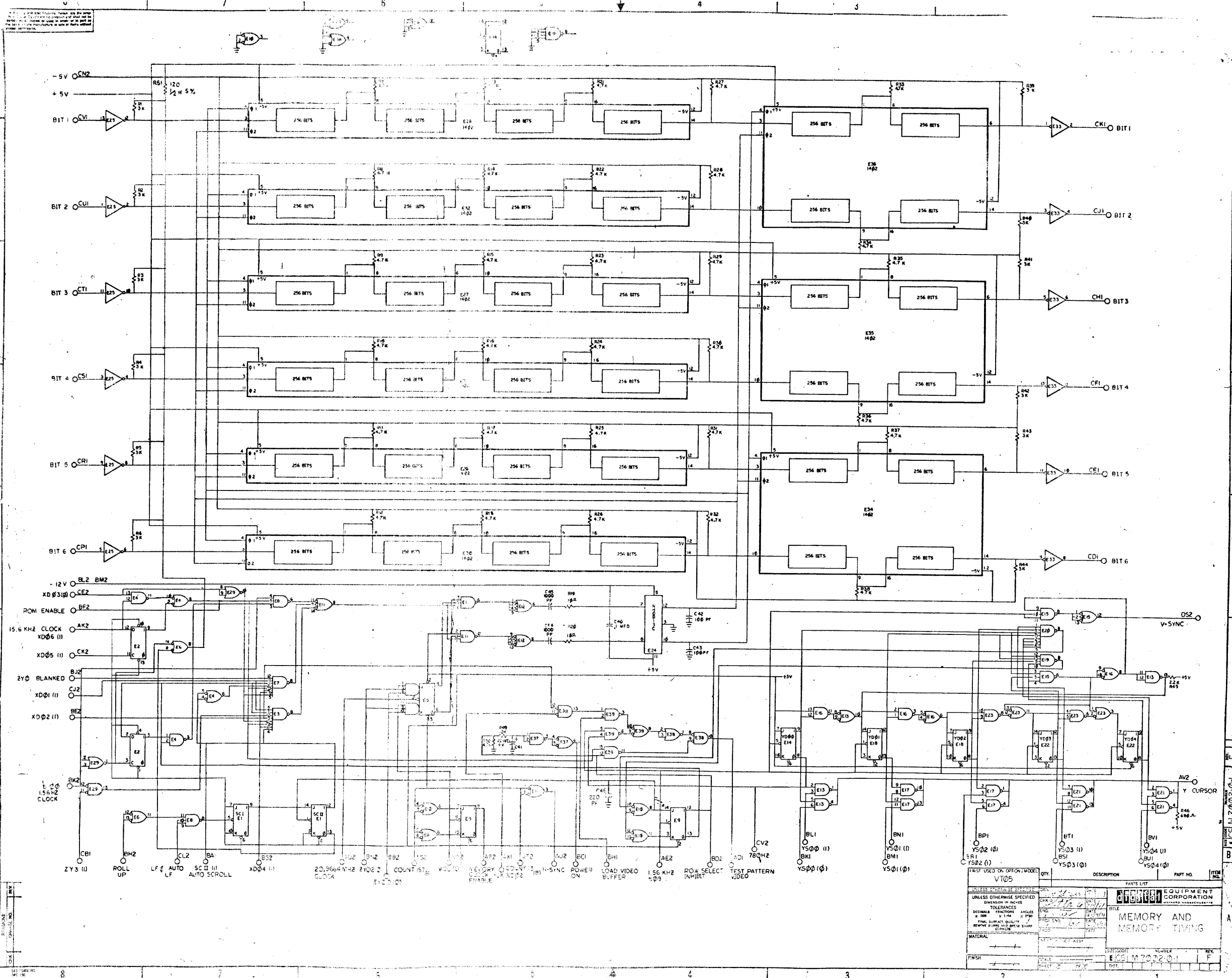
DRN: CEMCO COY DATE: 11-2-71
 ENGR: RICHNER DATE: 11-2-71
 PROJ ENGR: RICHNER DATE: 11-2-71
 PROD: RICHNER DATE: 11-2-71

MEMORY AND MEMORY TIMING

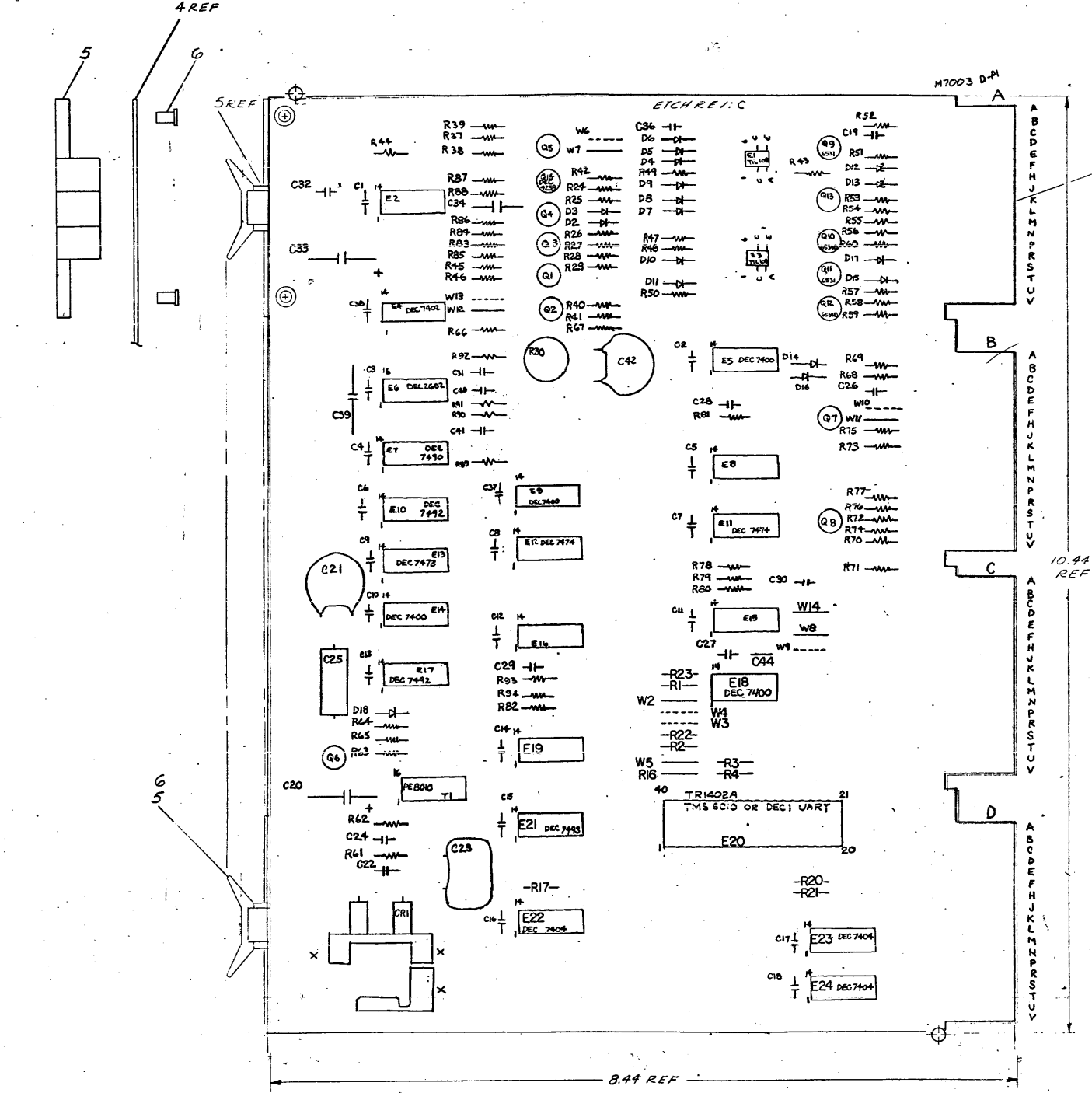
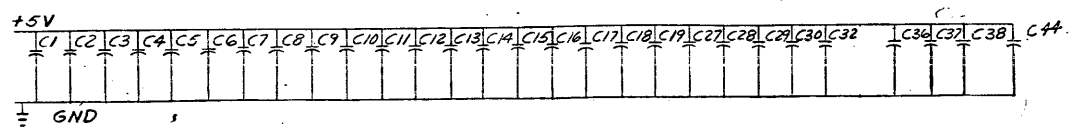
SEMICONDUCTOR CONVERSION CHART

SCALE: 2-1

SHEET 1 OF 2



1. All components and assemblies, unless otherwise noted, shall be of the highest quality available and shall be used in accordance with the manufacturer's instructions.



- NOTES:
- UNLESS OTHERWISE NOTED:
 DIODES - D664
 CAPACITOR - .01µF 100V 20%
 2. OPTIONAL JUMPERS INDICATED BY DASH LINES. EXAMPLE W6-----
 - USE ECG #M7003-00003 WHEN REPLACING E19 IF IT IS A TMS 1208 JC
 - TR1402A - WESTON DIGITAL
 TMS 6010 - TEXAS INSTRUMENT } PART NO. 1910459
 DEC 1 UART - GENERAL INS } E20

QTY	REF DESIGNATION	DESCRIPTION	PART NO.	ITEM NO.
1	SHRINK TUBING		9107250-09	70
1	RES 300 1/4W 5%		1800390	71
1	CAP 150PF 50V 10%		1000220	72
1	CAP 0.01µF MYLAR		1000630	73
1	WIRE 22 AWG SOLID BUS		9107250-01	74
1	I.C. DEC 7493		1909054	75
2	RES 30K 1/4W 5%		1300234	76
4	RES 2.2K 1/4W 5%		1300417	77
2	CAP 270PF 100V 5%		1000022	78
1	CAP 820PF 100V 5%		1000026	79
1	I.C. DEC2602		170257	80
1	CAP 500PF 50V 10%		1000621	81
1	B44-B KHZ L CRYSTAL		1810245-1	82
2	71708 PHOTO OPTIC COUPLER		1510379	83
1	SEE NOTE 2		1910459	84
3	I.C. DEC 7404		1909686	85
2	E10, E17		1909053	86
1	E7		1909051	87
1	E4		1909004	88
5	E2, E3, E15, E16, E19		1905570	89
1	E13		1905587	90
4	E5, E9, E14, E18		1905575	91
1	E11, E12		1905574	92
1	TRANSFORMER BIDDUAL LINE		1609691	93
1	Q14		1505321	94
2	Q9, Q11		1509338	95
2	Q10, Q12		1503909	96
9	Q1, Q8, Q13		1503100	97
1	R29		1300258	98
1	R30		1300250-04	99
3	R71, R72, R76		1300379	100
1	R88		1301808	101
5	R45, R55, R56, R58, R59		1301824	102
1	R57		1301422	103
4	R20, R74, R77, R93		1301401	104
8	R23, R41, R50, R61, R68, R79, R81, R82		1300479	105
5	R43, R53, R63, R70, R73		1300439	106
12	R51, R52, R53, R54, R55, R56, R57, R58, R59, R60, R61, R62		1300391	107
8	R24, R25, R27, R28, R42, R71, R75, R83		1300365	108
6	R29, R64, R65, R66, R84, R87		1300316	109
1	R54		1300309	110
6	R40, R51, R62, R86, R90, R91		1300271	111
1	R52		1300250	112
1	R89		1300247	113
1	R38		1300224	114
1	R67		1300197	115
NR	D12, D13		1210544-0	116
3	D10, D11		1102578	117
15	D20, D11, D12, D13		1100114	118
1	R37, R74		1300295	119
1	C26		1000006	120
28	C1, C19, C27, C30		1001610	121
2	C20, C33		1000007	122
1	C25		1000053	123
1	C22		1000009	124
2	C21, C42		1000030	125
1	C24		1000027	126
1	C34		1000015	127
3	W1, W2, W3		1000555	128
3	W4, W5, W6, W7, W8, W9, W10, W11, W12, W13, W14, W15, W16, W17, W18, W19, W20, W21, W22, W23, W24, W25, W26, W27, W28, W29, W30, W31, W32, W33, W34, W35, W36, W37, W38, W39, W40, W41, W42, W43, W44, W45, W46, W47, W48, W49, W50		1000001-1	129
REF	REAR SUPPORT BRACKET		5302825	130
2	CRYSTAL HOLDER BRACKET		5303154	131
1	SOCKET, CRYSTAL 8000 PGI		1202812	132
1	R60		1300447	133
1	EYELET 45-4.7 STIMPSON		9006732	134
1	HANDLE FLIP CHIP MOUNT		9008357-06	135
1	ETCHED CIRCUIT BOARD		5001503	136
REF	MODULE MOUNTING LIST		B-MH-M243-4-6	137
REF	ASSY/DRILLING HOLE LAYOUT		D-MH-M243-4-6	138
REF	X-Y COORDINATE HOLE LOC.		R-CO-M243-4-6	139

ITEM NO	AWG	FROM PT	TO PT
66	22	W13-A	W13-B
		W12-A	W12-B
		W11-A	W11-B
		W10-A	W10-B
		W9-A	W9-B
TR1402A	2	3	1
DEC 1 UART	2	3	1
TMS 6010	2	3	1
DEC 7493	10	5	
DEC 7473	11	4	
DEC 7490	10	5	
DEC 7492	10	5	
IC TYPE	-12	-5	GND +5V
66	22	W14-A	W14-B

REV	DATE	DESCRIPTION
1	12-17-72	INITIAL DESIGN
2	1-17-73	REVISED DESIGN
3	1-17-73	REVISED DESIGN
4	1-17-73	REVISED DESIGN
5	1-17-73	REVISED DESIGN
6	1-17-73	REVISED DESIGN
7	1-17-73	REVISED DESIGN
8	1-17-73	REVISED DESIGN
9	1-17-73	REVISED DESIGN
10	1-17-73	REVISED DESIGN
11	1-17-73	REVISED DESIGN
12	1-17-73	REVISED DESIGN
13	1-17-73	REVISED DESIGN
14	1-17-73	REVISED DESIGN
15	1-17-73	REVISED DESIGN
16	1-17-73	REVISED DESIGN
17	1-17-73	REVISED DESIGN
18	1-17-73	REVISED DESIGN
19	1-17-73	REVISED DESIGN
20	1-17-73	REVISED DESIGN
21	1-17-73	REVISED DESIGN
22	1-17-73	REVISED DESIGN
23	1-17-73	REVISED DESIGN
24	1-17-73	REVISED DESIGN
25	1-17-73	REVISED DESIGN
26	1-17-73	REVISED DESIGN
27	1-17-73	REVISED DESIGN
28	1-17-73	REVISED DESIGN
29	1-17-73	REVISED DESIGN
30	1-17-73	REVISED DESIGN
31	1-17-73	REVISED DESIGN
32	1-17-73	REVISED DESIGN
33	1-17-73	REVISED DESIGN
34	1-17-73	REVISED DESIGN
35	1-17-73	REVISED DESIGN
36	1-17-73	REVISED DESIGN
37	1-17-73	REVISED DESIGN
38	1-17-73	REVISED DESIGN
39	1-17-73	REVISED DESIGN
40	1-17-73	REVISED DESIGN
41	1-17-73	REVISED DESIGN
42	1-17-73	REVISED DESIGN
43	1-17-73	REVISED DESIGN
44	1-17-73	REVISED DESIGN
45	1-17-73	REVISED DESIGN
46	1-17-73	REVISED DESIGN
47	1-17-73	REVISED DESIGN
48	1-17-73	REVISED DESIGN
49	1-17-73	REVISED DESIGN
50	1-17-73	REVISED DESIGN

FIRST USE ON OPTION/MODEL

VT05A

ETCH BOARD REV PARTS LIST

DATE: 12-17-72

ENGINEER: [Signature]

PROJECT NO: 102

PROJ ENG: [Signature]

DATE: [Signature]

NET WEIGHT: 0.855

SCALE: 2/1

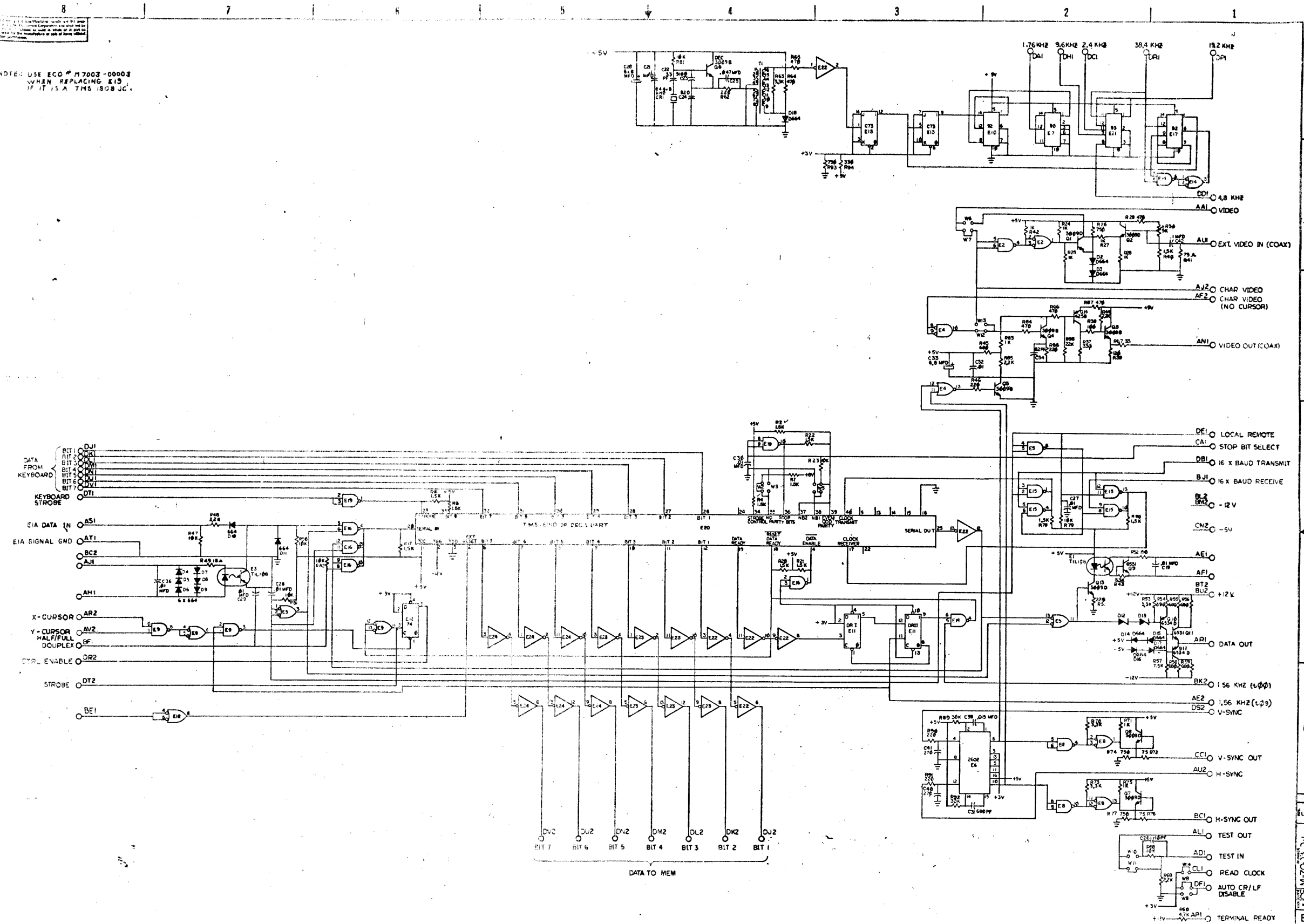
SHEET 1 OF 2

EQUIPMENT CORPORATION

INTERFACE (VT05)

SEMICONDUCTOR CONVERSION CHART

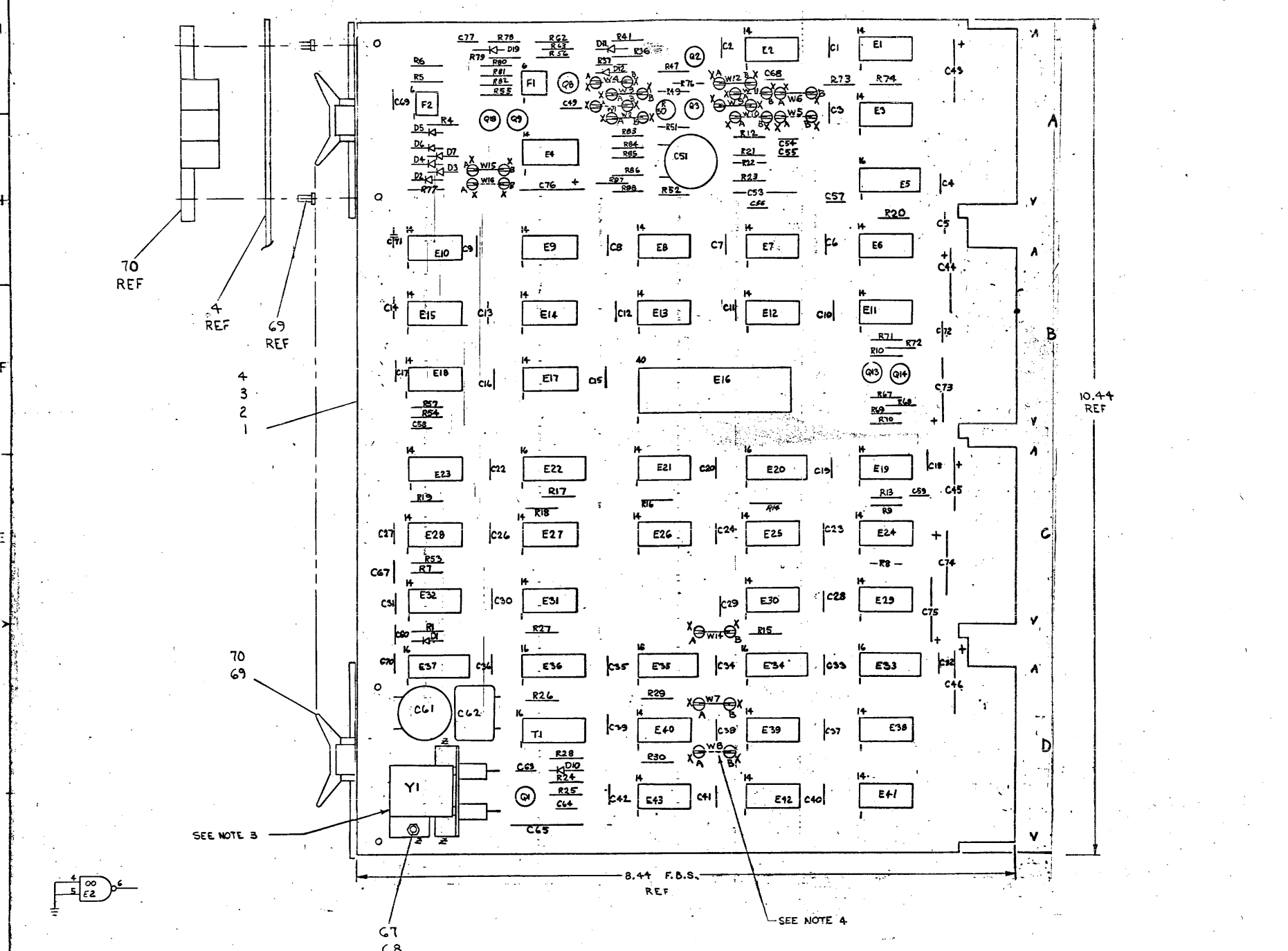
NOTE: USE ECO # M7003-00003
WHEN REPLACING E13
IF IT IS A TMS 1808 JC.



QTY.	DESCRIPTION	PART NO.	REV.												
1	VT05A														
UNLESS OTHERWISE SPECIFIED: DIMENSIONS IN INCHES TOLERANCES DECIMALS FRACTIONS ANGLES ±.005 ±.010 ±.015 FORM SURFACE QUALITY REMOVE BURRS AND BREAK SHARP CORNERS															
MATERIAL															
FINISH															
<table border="1"> <thead> <tr> <th>REV.</th> <th>DATE</th> <th>BY</th> <th>CHKD.</th> <th>APP'D.</th> <th>TITLE</th> </tr> </thead> <tbody> <tr> <td>1</td> <td></td> <td></td> <td></td> <td></td> <td>INTERFACE (VT05)</td> </tr> </tbody> </table>				REV.	DATE	BY	CHKD.	APP'D.	TITLE	1					INTERFACE (VT05)
REV.	DATE	BY	CHKD.	APP'D.	TITLE										
1					INTERFACE (VT05)										

This drawing and specifications, herein, are the property of Sperry Equipment Corporation and shall not be reproduced or copied or used in whole or in part without the written permission of Sperry Equipment Corporation.

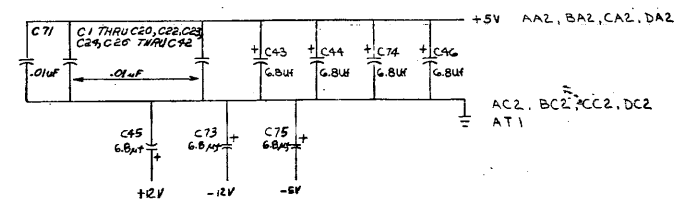
- NOTES:
- UNLESS OTHERWISE SPECIFIED: RESISTANCE IS IN OHMS CAPACITANCE IS IN PICOFARADS
 - ITEM #63 MAY BE REPLACED BY TR1#28A
 - INSTALL ITEM #11 TO ITEM #49 BEFORE ASSEMBLY OF ITEMS #4, #5, #7, #8 TO ITEM #4.
 - ALL DOTTED JUMPERS ARE OPTIONAL.
 - DELETED COMPONENTS: R2, R3, R11, R31 THRU R35, R38, R39, R40 THRU R46, R56 THRU R61, R64, R65, R75, D3, D9, D13 THRU D18, Q4 THRU Q7, Q10, Q12, C50



ITEM NO.	REF DESIGNATION	DESCRIPTION	PART NO.	ITEM NO.
1	C4	IC DEC 1488 L	1010322	76
1	C72	CAP 1000PF 100V 5% D M	8000042	75
2		INSULATOR 8000 PPI	1202812	74
1	C70	CAP .001UF 250V 20% DBC	4000043	73
R/R		WIRE 1MS 22AWG	9107350-29	72
R/R		TUBING HEAT SHRINKABLE 3/4	9107250	71
4		HANDLE FLIP CHIP MAGENTA	9009337-8	70
8		EYELET G 54-7	9006732	69
3		NUT HEAT 2-56	9006555	68
3		SCR BINDER NO 2-56X3/16	9006000-4	67
30		LUG SPLIT	9006735	66
1		BRACKET CRYSTAL HOL DER	5303154	65
1		BRACKET CRYSTAL HOL DER	5302825	64
1	E16	IC DEC 1488 L	1010322	63
1	E41	IC DEC 7493	1909054	62
1	E42	IC DEC 7490	1909051	61
2	E39, E43	IC DEC 7482	1909053	60
1	E6	IC DEC 7412 P	1810436	59
7	E0E22, E18, THRU E37	IC DEC 7498	1810363	58
1	E9	IC DEC 7492	1808004	57
4	E4 THRU E8, E40	IC DEC 7473	1805567	56
1	E21	IC DEC 7430	1805578	55
1	E17	IC DEC 7410	1805576	54
4	E9, E12, E13, E15	IC DEC 7474	1805547	53
8	E1, E11, E14, E24 THRU E28	IC DEC 7401	1805580	52
5	E2, E14, E19, E23, E38	IC DEC 7400	1805575	51
5	E10, E20 THRU E32	IC DEC 7404	1805686	50
1	T1	CRYSTAL 844 8 KHZ	1812245-1	49
1	T1	XFR. PULSE PE 8010	1609651	48
2	F1, F2	COUPLER PHOTO OPTIC DCI-9	1510727	47
1	Q8	TSTR DEC 6531	1509336	46
1				45
7	Q1 THRU Q3, Q9, Q13, Q14, Q16	TSTR DEC 3908 B	1503108	44
1	R77	RES 840 1/4W 5%	1301896	43
2	R64, R66	RES 150 1/4W 5%	1300259	41
1	R60	RES 5K 1/2W 20% POT 62PR	1309150-04	40
1				39
3	R27, R28	RES 470 1/4W 5%	1300318	37
2	R22, R23	RES 30K 1/4W 5%	1302394	36
5	R20, R21, R25, R67, R65	RES 220 1/4W 5%	1300271	35
1	R60	RES 47K 1/4W 5%	1302177	34
1				33
7	R36, R37, R47, R53, R67, R70, R76	RES 1K 1/4W 5%	1300365	32
4	R29, R41, R68, R71	RES 750 1/4W 5%	1301401	31
4	R52, R62, R69, 72	RES 75 1/4W 5%	1302379	30
3	R74, R76, R79	RES 2.2K 1/4W 5%	1300417	29
3	R63, R64, R66	RES 5.6K 1/4W 5%	1301874	28
9	R13 THRU R19, R26	RES 3.3K 1/4W 5%	1300439	27
1	R10	RES 680 1/4W 5%	1301424	26
2	R1, R30	RES 330 1/4W 5%	1300295	25
4	R9	RES 1.5K 1/4W 5%	1300391	24
2	R5, R56	RES 68K 1/4W 5%	1301327	23
7	R6, R68, R72, R74, R75, R77	RES 10K 1/4W 5%	1300479	22
1				21
1	R4	RES 18 1/4W 5%	1302124	20
1	R41	RES 7.5K 1/4W 5%	1301422	19
11	Q1 THRU Q7, Q11, Q12, Q19, Q10	DIODE 0664	1100114	17
1	C63	CAP 33PF 100V 5% DM	1000009	16
1	C62	CAP 5100PF 100V 5% DM	1000621	15
1	C64	CAP 820PF 100V 5% DM	1000027	14
1	C65	CAP 847UF 200V 10% NYLAR	1000053	13
2	C51, C61	CAP 10UF 100V 20% DISC	1000030	12
6	C43 THRU C46, C73, C74, C75, C76	CAP 6 BUF 35V 20% TANT	1000067	10
1	C39	CAP 015 UF 100V 10% NYLAR	1002630	9
2	C56, C77	CAP 680 PF 100V 5% DM	1000026	8
2	C55, C57	AP 210 PF 100V 5% DM	1000022	7
1				6
48	C1 THRU C20, C22, THRU C24, C26-1	CAP 01 UF 100V 20% DISC	1001610	5
1		ETCHED CIRCUIT BOARD	50C9889	4
REF		MODULE ECO HISTORY	8 4Y-M7004-0-6	3
REF		ASSEMBLING HOLE LAYOUT	8 4Y-M7004-0-5	2
REF		X Y COORDINATE HOLE LOCATION	8 4Y-M7004-0-4	1

IC TYPE	AWG	FROM PT	TO PT
72	22	W1A	W1B
72	22	W15	W15B
72	22	W14-A	W14-B
72	22	W12-A	W12-B
72	22	W11-A	W11-B
72	22	W10-A	W10-B
72	22	W9-A	W9-B
72	22	W8-A	W8-B
72	22	W7-A	W7-B
72	22	W6-A	W6-B
72	22	W5-A	W5-B
72	22	W4-A	W4-B
72	22	W3-A	W3-B
72	22	W2-A	W2-B
72	22	W1-A	W1-B

COMPOSITE COMPONENT ONLY



CONDUCTOR CONVERSION CHART

DATE: 11/72

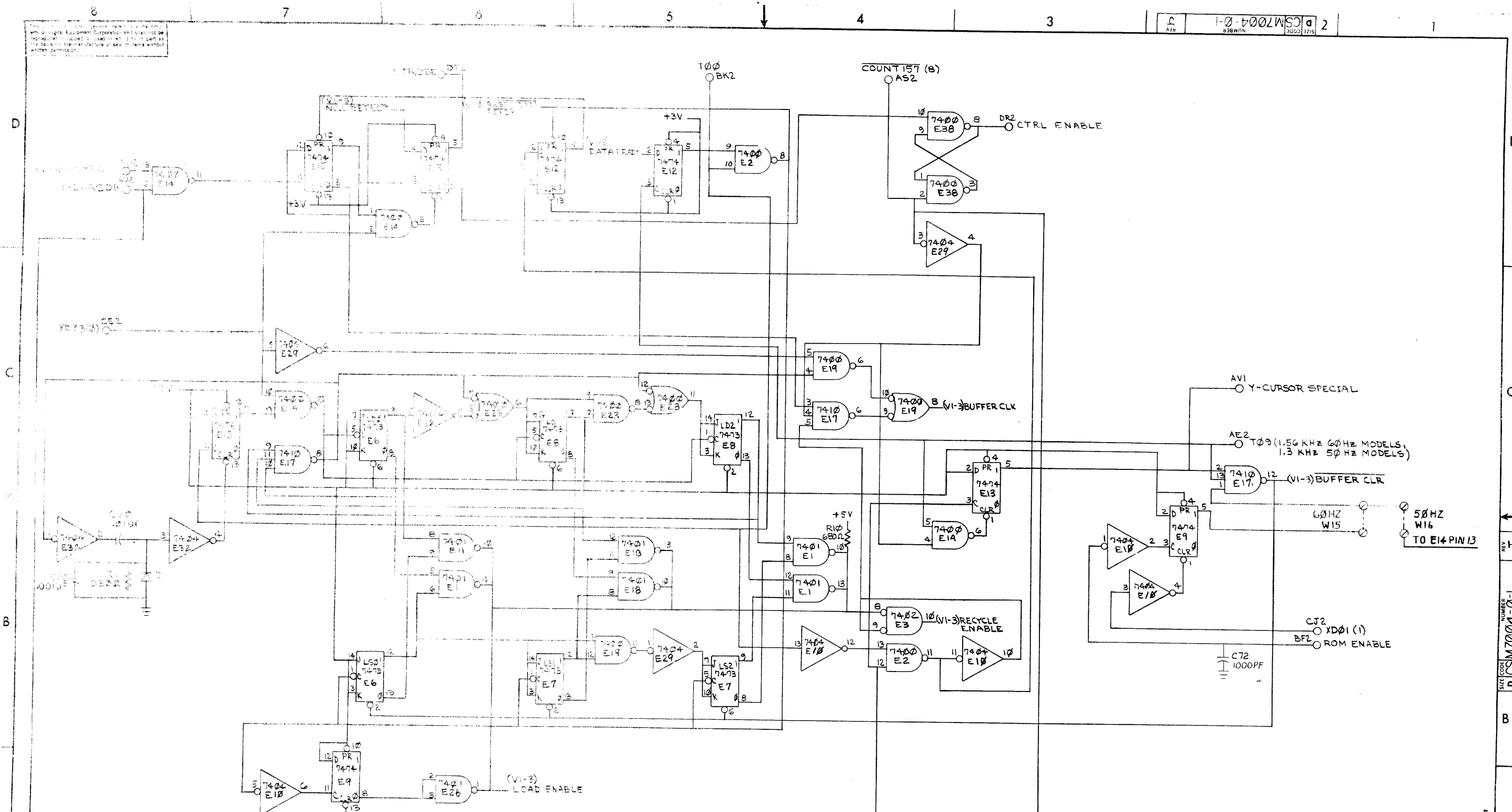
FILE: VT05 HIGH SPEED INTERFACE VI-1

REVISIONS:

REV	DATE	DESCRIPTION
1	11/72	INITIAL DESIGN
2	11/72	REVISED FOR MANUFACTURE

SCALE: 1" = 1.00"

SHEET 1 OF 3



FIRST USED ON OPTION/MODEL	QTY.	DESCRIPTION	PART NO.	ITEM NO.
VT05				
PARTS LIST				
UNLESS OTHERWISE SPECIFIED DIMENSION IN INCHES. TOLERANCES	DRN <i>Z. Canberry</i>	DATE 3/22/72	digital EQUIPMENT CORPORATION MAYNARD MASSACHUSETTS	
DECIMALS	CHK'D <i>W. M. O'Neil</i>	DATE 4/19/72		
.XXX = .005	ENG <i>Richard P. Pucci</i>	DATE 1/19/72	TITLE VT05 HIGH SPEED INTERFACE V1-2	
.XX = .02	PROJ. ENG.	DATE		
.X = .1	PROD.	DATE	NUMBER DCS M7004-01	
REMOVE BURRS AND BREAK SHARP CORNERS SURFACE QUALITY ✓	DATE 4/10/72	DATE		
MATERIAL	NEXT HIGHER ASSY	SCALE	REV J	
FINISH	A-ML-VT05-2	SHEET 2 OF 5		

REV
A

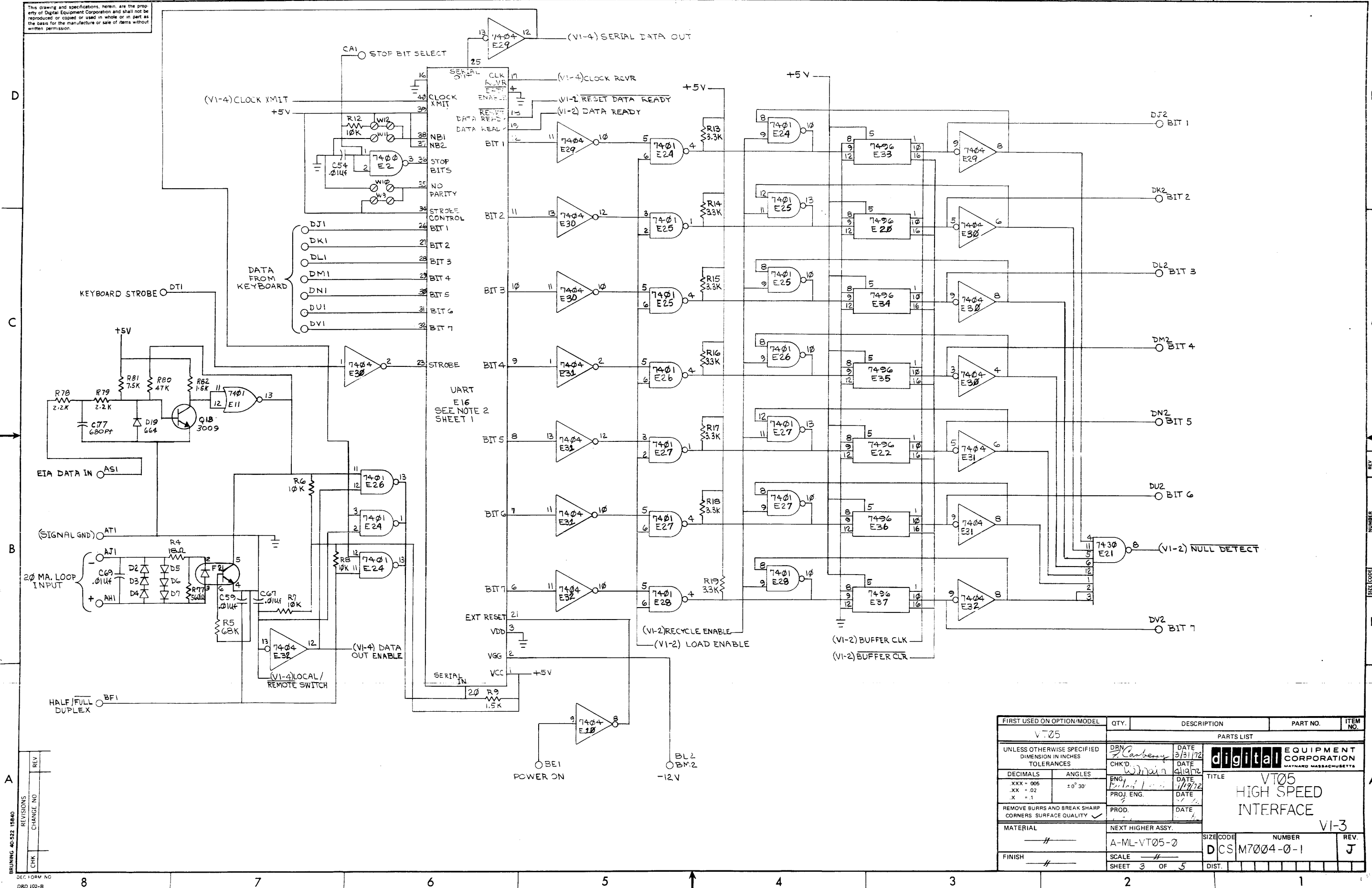
REV
J

NUMBER
DCS M7004-01

B

A

This drawing and specifications, herein, are the property of Digital Equipment Corporation and shall not be reproduced or copied or used in whole or in part as the basis for the manufacture or sale of items without written permission.

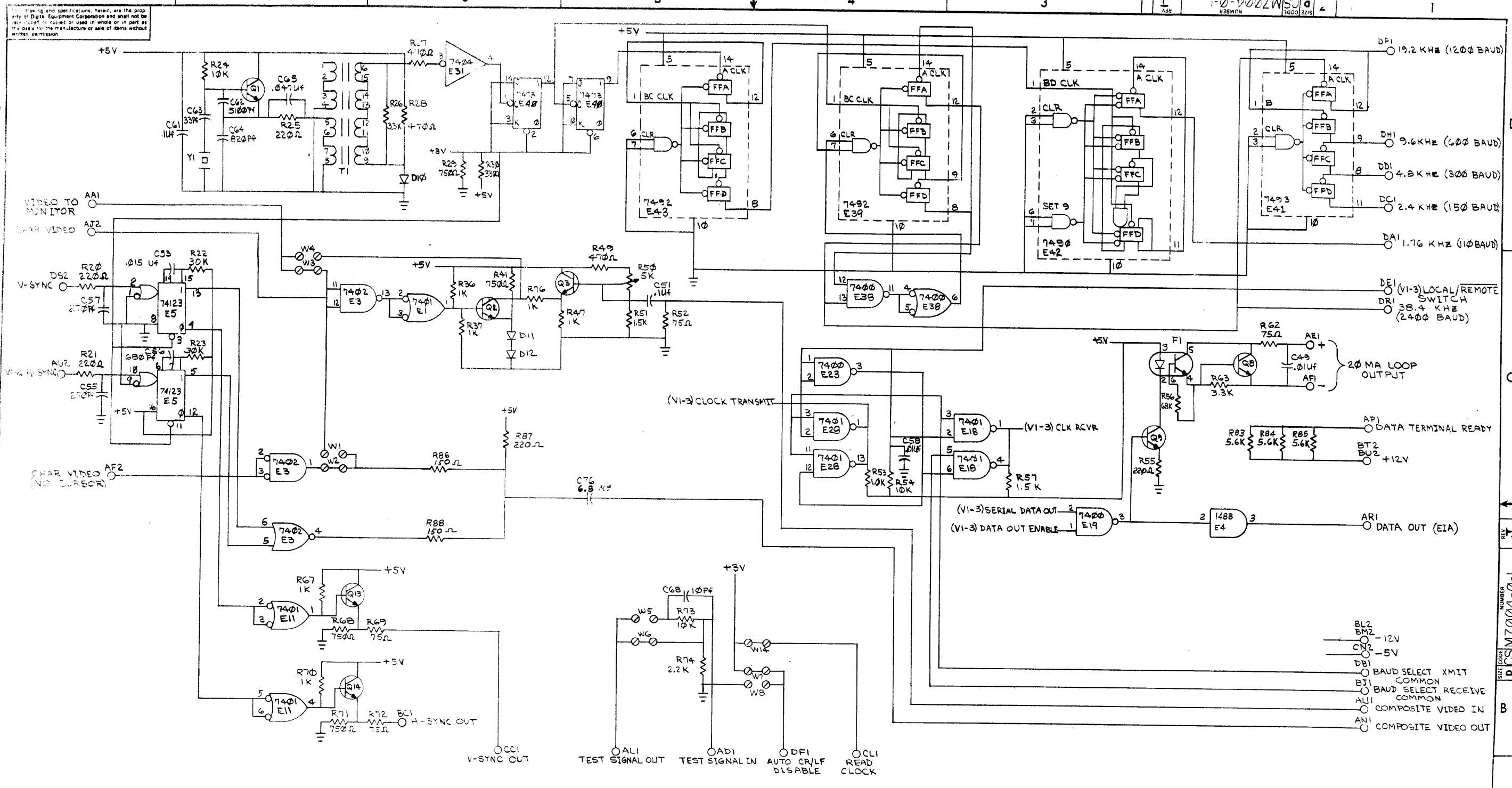


FIRST USED ON OPTION/MODEL	QTY.	DESCRIPTION	PART NO.	ITEM NO.
VT05		PARTS LIST		
UNLESS OTHERWISE SPECIFIED DIMENSION IN INCHES TOLERANCES		DATE 3/31/72	digital EQUIPMENT CORPORATION MAYNARD MASSACHUSETTS	
DECIMALS	ANGLES	DATE 4/19/72		
XXX - 005	±0° 30'	DATE 1/17/72	TITLE VT05 HIGH SPEED INTERFACE	
.XX - 02		DATE	SCALE	
X - 1		DATE	SHEET 3 OF 5	
REMOVE BURRS AND BREAK SHARP CORNERS SURFACE QUALITY		PROD.	DATE	
MATERIAL	NEXT HIGHER ASSY.	SIZE CODE NUMBER REV.		
FINISH	A-ML-VT05-0	SCALE	DCS M7004-0-1	J
		SHEET	DIST.	

BRUNING 40-522 15840
REV. NO. 1
CHANGE NO. 1

REV. J
DCS M7004-0-1

1-0-002W501



- BL2 -12V
- BM2 -12V
- CN2 -5V
- DB1 BAUD SELECT XMIT COMMON
- BT1 BAUD SELECT RECEIVE COMMON
- AL1 COMPOSITE VIDEO IN
- AN1 COMPOSITE VIDEO OUT

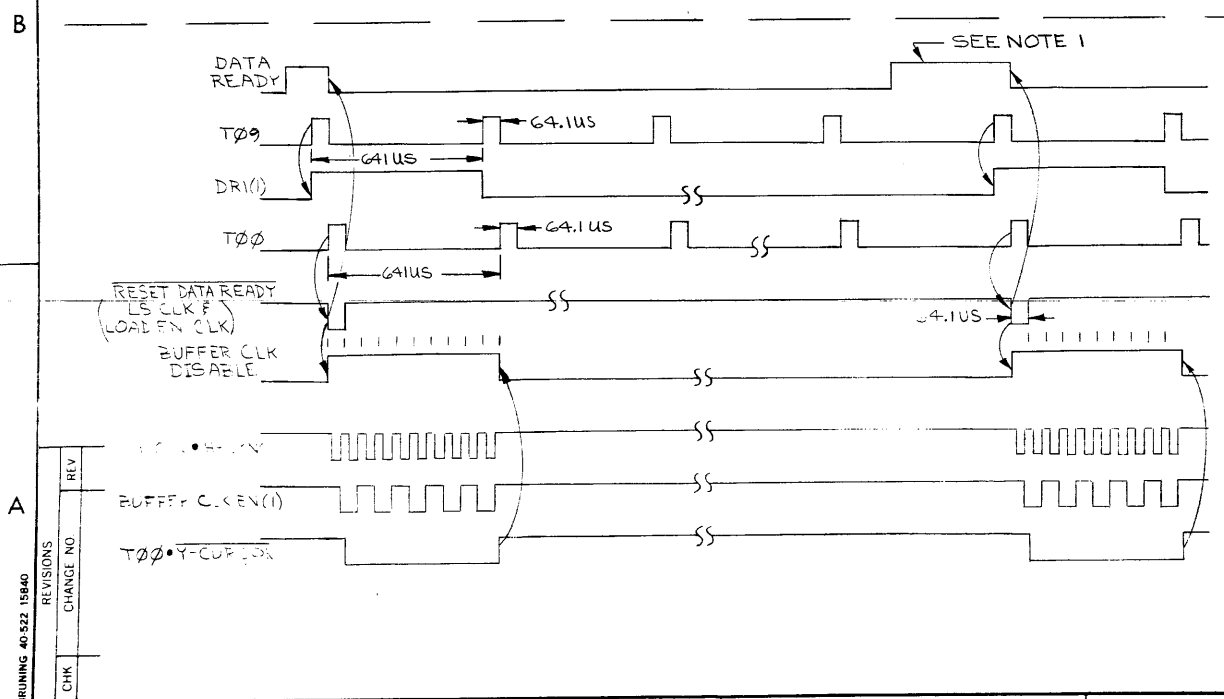
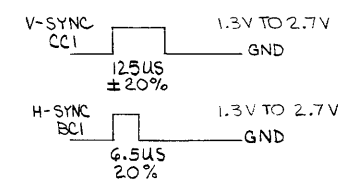
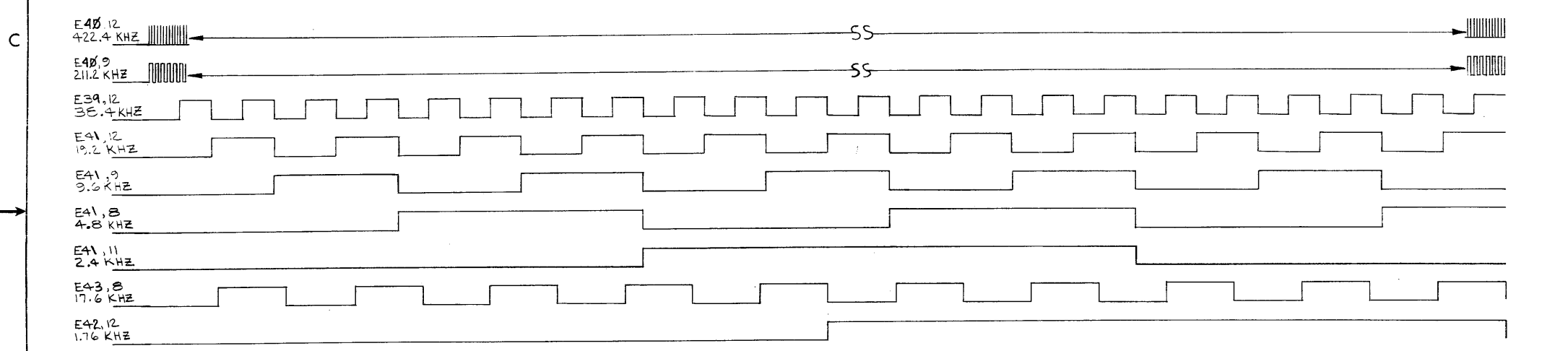
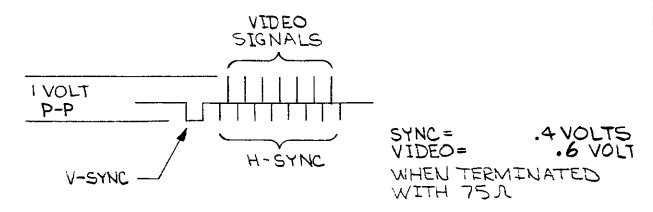
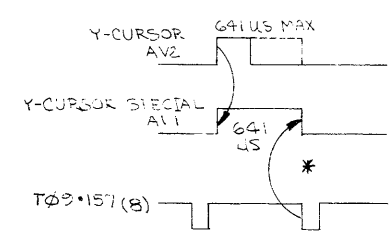
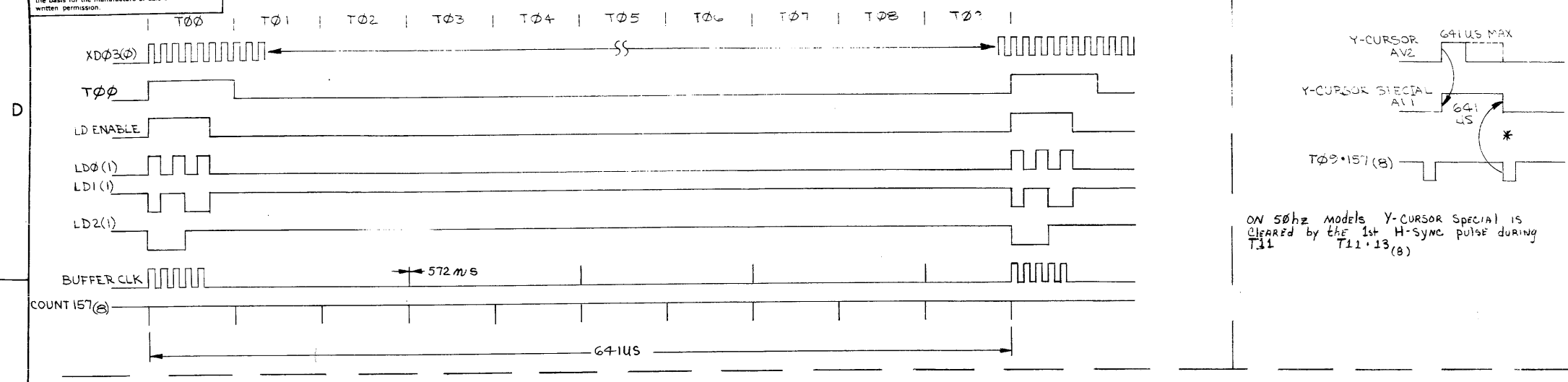
REVISIONS

REV	NO	DESCRIPTION
1		

FIRST USED ON OPTION/MODEL	QTY.	DESCRIPTION	PART NO.	ITEM NO.
VT05				
PARTS LIST				
UNLESS OTHERWISE SPECIFIED DIMENSION IN INCHES TOLERANCES		DRN	DATE	
DECIMALS	ANGLES	CHK'D	DATE	
.XXX - .005	±0° 30'	ENG.	DATE	
.XX - .02		PROJ. ENG.	DATE	
REMOVE BURRS AND BREAK SHARP CORNERS SURFACE QUALITY ✓		PROD.	DATE	
MATERIAL		NEXT HIGHER ASSY.		
--- SS		A-ML-VT05-0		SIZE CODE
FINISH		SCALE		NUMBER
---		SHEET 4 OF 5		DCS M7004-0-1
				REV. J

DCS M7004-0-1
 NUMBER
 REV J

This drawing and specifications, herein, are the property of Digital Equipment Corporation and shall not be reproduced or copied or used in whole or in part as the basis for the manufacture or sale of items without written permission.



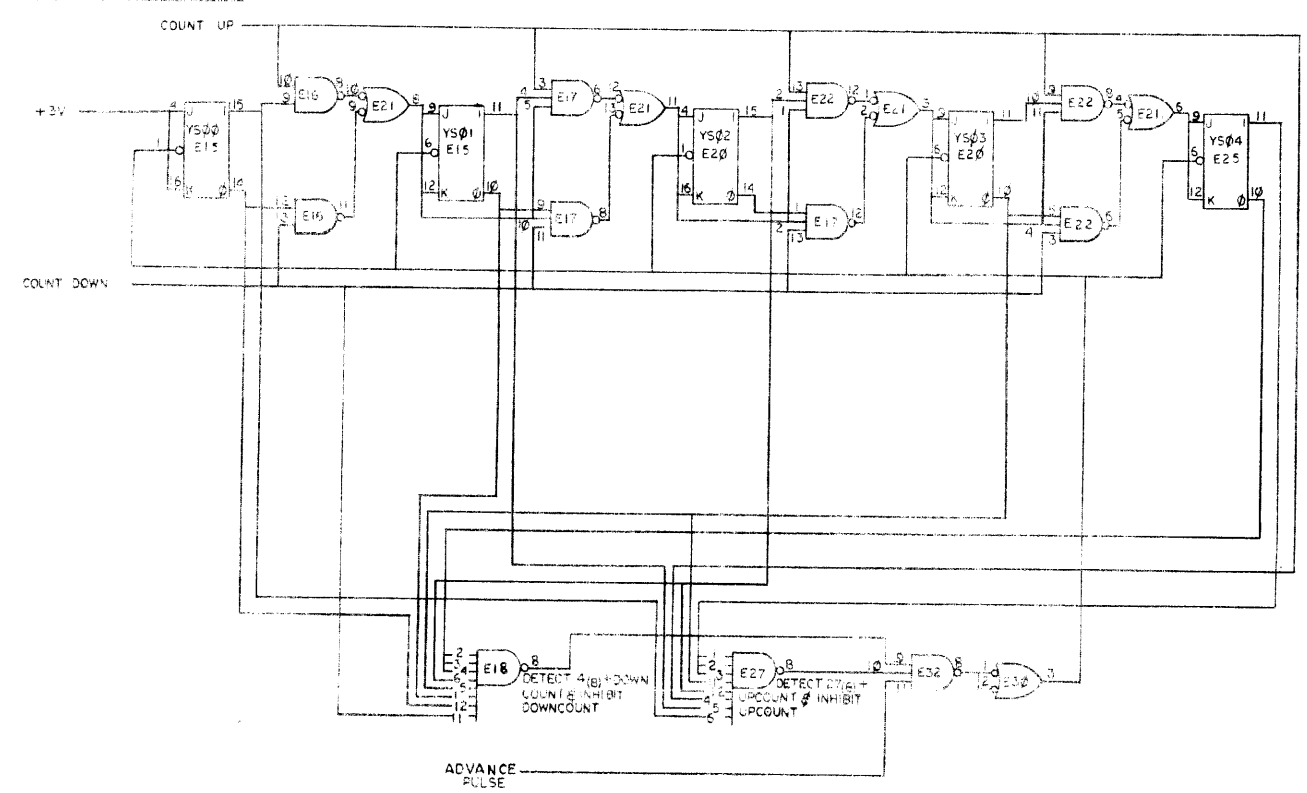
NOTE:
1. DATA READY PULSE WIDTH MAY BE FROM 64 μs TO 641 μs.

FIRST USED ON OPTION/MODEL	QTY.	DESCRIPTION	PART NO.	ITEM NO.
VT05B		PARTS LIST		
UNLESS OTHERWISE SPECIFIED DIMENSION IN INCHES TOLERANCES	DRN CHK'D ENG. PROJ. ENG. PRDY	DATE 5/23/72 DATE 5/26/72 DATE 6/2/72 DATE 1/7/72	digital EQUIPMENT CORPORATION MAYNARD MASSACHUSETTS	
DECIMALS .005 ANGLES ±0° 30'	TITLE VT05 HIGH SPEED INTERFACE			
REMOVE BURRS AND BREAK SHARP CORNERS SURFACE QUALITY	MATERIAL NEXT HIGHER ASSY.			
FINISH	A-M-L-VT05-1	SCALE	SIZE CODE DCS M7004-0-1	NUMBER REV. J
	SHEET 5 OF 5	DIST.		

BRUNING 40-922 15840
DEC FORM NO
DRD 102-B

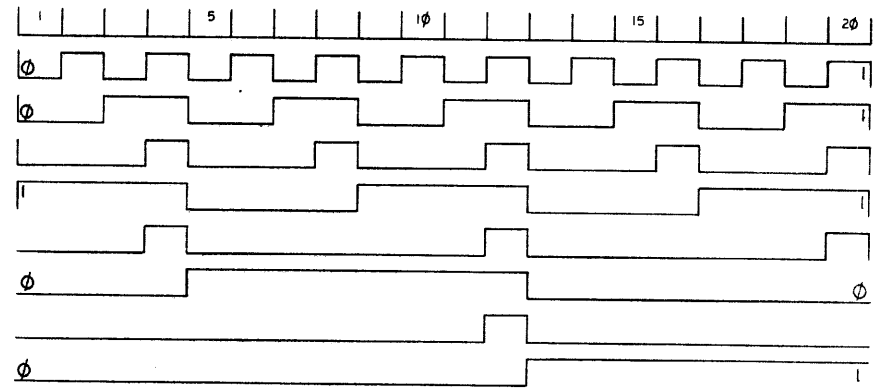
REV J
NUMBER
DCS M7004-0-1

This drawing and specifications herein are the property of Digital Equipment Corporation and shall not be used, copied, or reproduced in whole or in part as the basis for the manufacture or sale of items without written permission.



ASYNCHRONOUS
 CURSOR ADVANCE

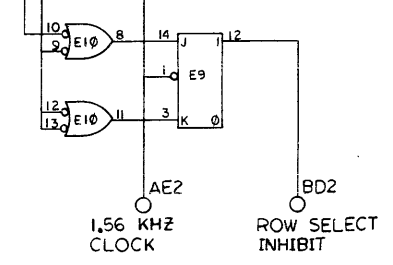
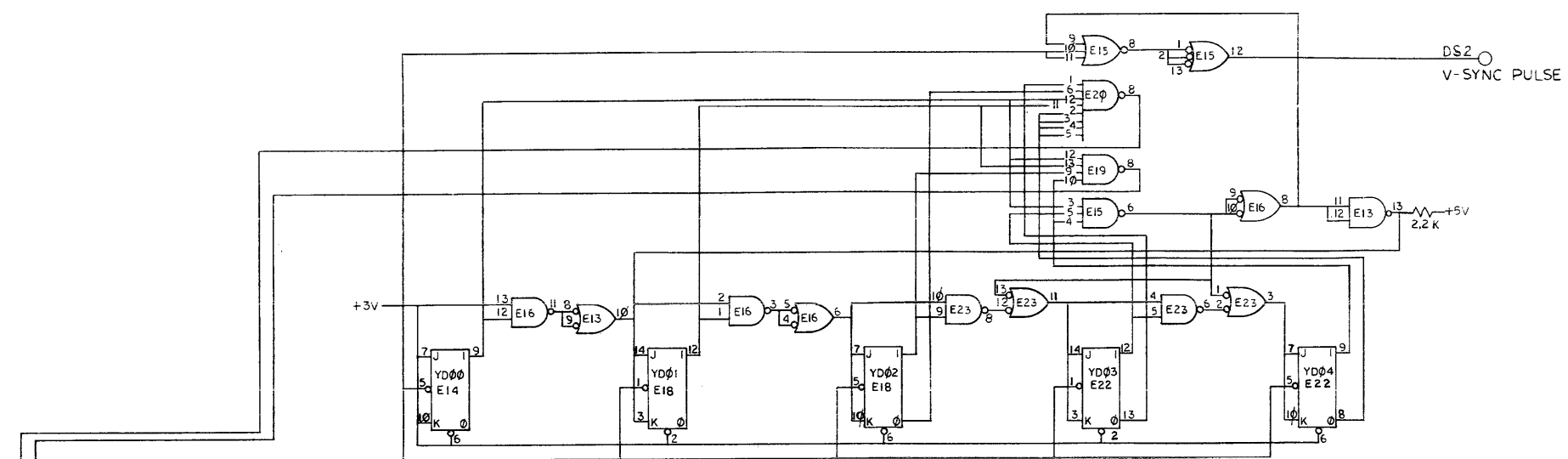
- YS01 (I) = JKYS01
- YS01 (II)
- JKYS02
- YS02 (I)
- JKYS03
- YS03 (I)
- JKYS04
- YS04 (I)



REV	CHANGE NO.

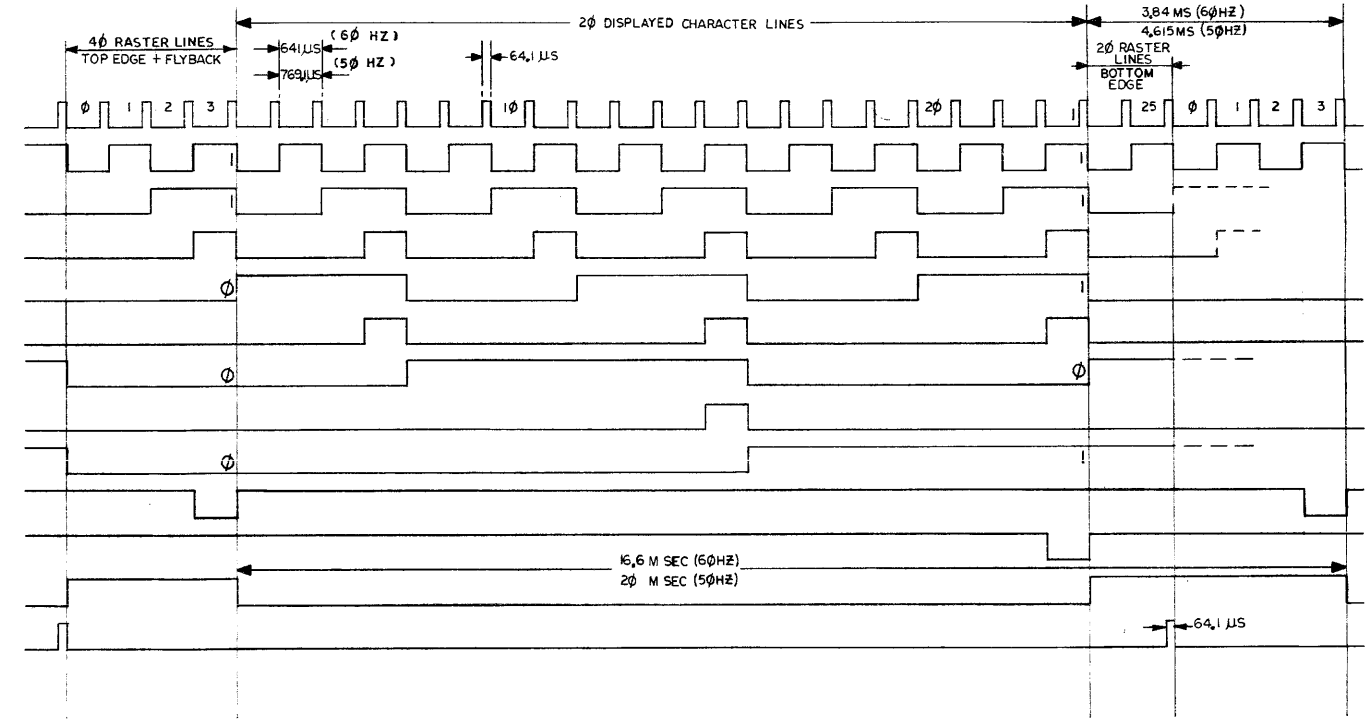
FIRST USED ON OPTION/MODEL	QTY.	DESCRIPTION	PART NO.	ITEM NO.
VT05				
PARTS LIST				
UNLESS OTHERWISE SPECIFIED		DRN: <i>W. Allen</i>	DATE: 12/31/70	digital EQUIPMENT CORPORATION MAYNARD, MASSACHUSETTS
UNLESS OTHERWISE SPECIFIED		CHKD: <i>W. Allen</i>	DATE: 12/7/71	
TOLERANCES		ENG: <i>K. R. Allen</i>	DATE: 8/10/71	
DECIMALS FRACTIONS ANGLES ± .005 ± 1/64 ± 0°30'		PROJ. ENG: <i>K. R. Allen</i>	DATE: 8/16/71	
FINAL SURFACE QUALITY REMOVE BURRS AND BREAK SHARP CORNERS		PROD: <i>W. Allen</i>	DATE: 7/1/71	TITLE
MATERIAL		NEXT HIGHER ASSY		STATIC Y-COUNTER
FINISH		A-ML-VT05-0		(M-7000)
SCALE		SIZE CODE NUMBER		REV.
SHEET 1 OF 1		DIST. DTDVT05-0-02		

This drawing and specifications, herein, are the property of Digital Equipment Corporation and shall not be reproduced or copied or used in whole or in part as the basis for the manufacture or sale of items without written permission.



1.56 KHZ CLOCK (60 HZ MODELS)
1.3 KHZ (50 HZ MODELS)
YD00 (1) = JK YD01

- YD01 (1)
- JK YD02
- YD02 (1)
- JK YD03
- YD03 (1)
- JK YD04
- YD04 (1)
- DETECT 3(8)
- DETECT 27(8)
- ROW SELECT INHIBIT
- V-SYNC PULSE

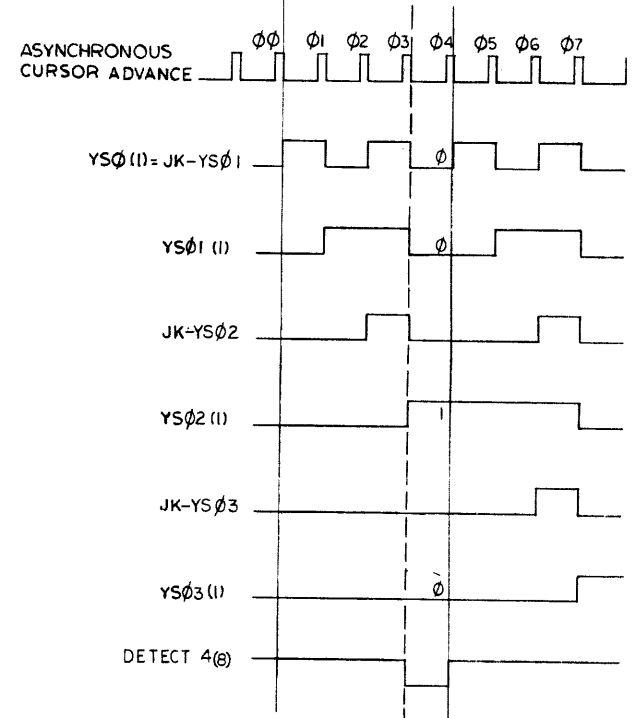
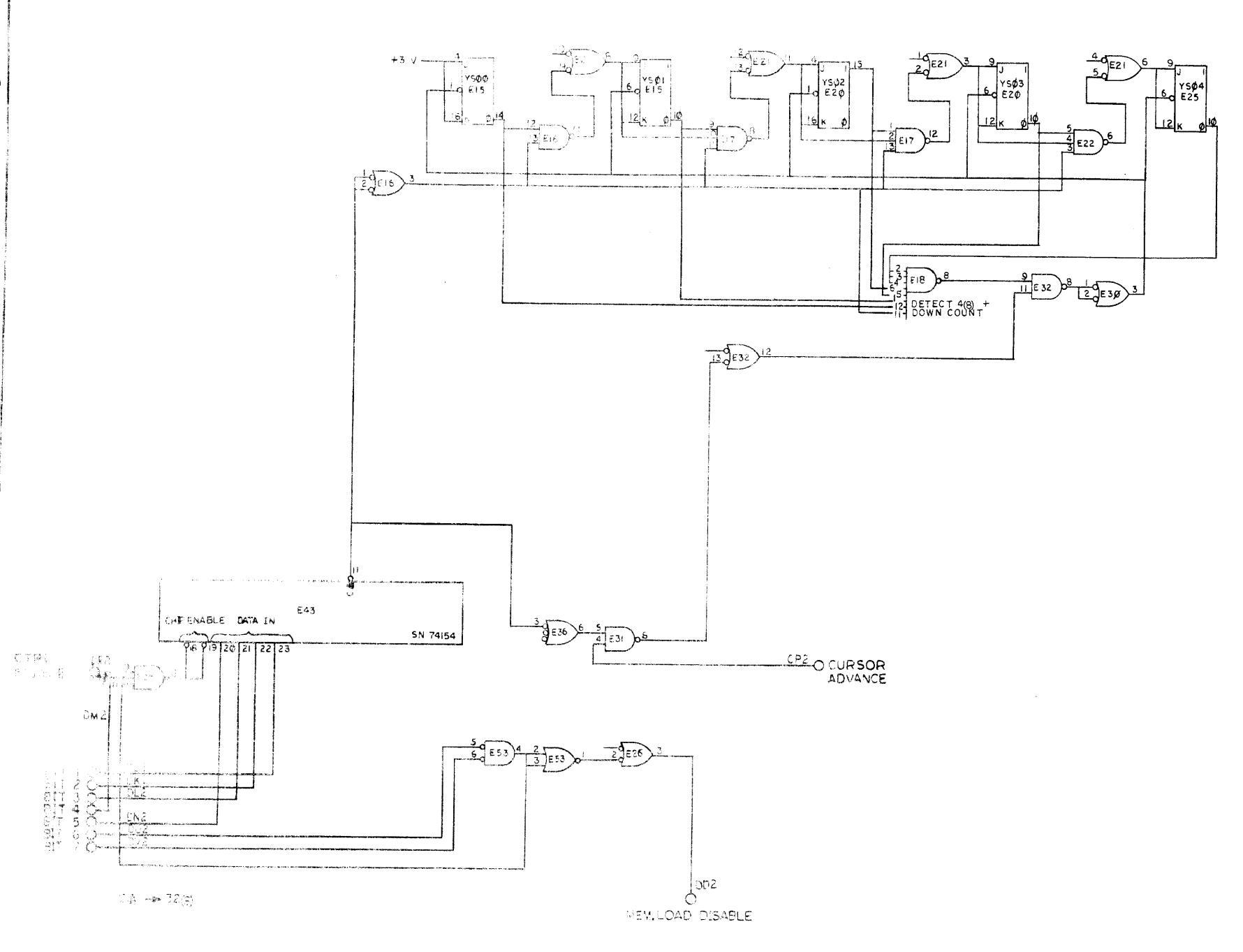


REV	
CHANGE NO.	
CHK	

FIRST USED ON OPTION/MODEL	QTY	DESCRIPTION	PART NO.	ITEM NO.
VT05				
PARTS LIST				
UNLESS OTHERWISE SPECIFIED				
DIMENSION IN INCHES				
TOLERANCES				
DECIMALS FRACTIONS ANGLES				
= .005 ± 1/64 = 0°30'				
FINAL SURFACE QUALITY				
REMOVE BURRS AND BREAK SHARP CORNERS				
MATERIAL				
FINISH				
NEXT HIGHER ASSY				
SCALE				
SHEET 1 OF 1				
digital EQUIPMENT CORPORATION MAYNARD, MASSACHUSETTS				
TITLE DYNAMIC Y COUNTER (M-7002)				
SIZE CODE NUMBER REV. D TO VT05-0-03				

REV. NUMBER
D TO VT05-0-03

THIS DRAWING IS THE PROPERTY OF DIGITAL EQUIPMENT CORPORATION AND IS TO BE USED ONLY FOR THE MANUFACTURE OF THE EQUIPMENT SPECIFIED THEREON. IT IS NOT TO BE REPRODUCED, COPIED, OR TRANSMITTED IN ANY FORM OR BY ANY MEANS, ELECTRONIC OR MECHANICAL, INCLUDING PHOTOCOPYING, RECORDING, OR BY ANY INFORMATION STORAGE AND RETRIEVAL SYSTEM, WITHOUT THE WRITTEN PERMISSION OF DIGITAL EQUIPMENT CORPORATION.



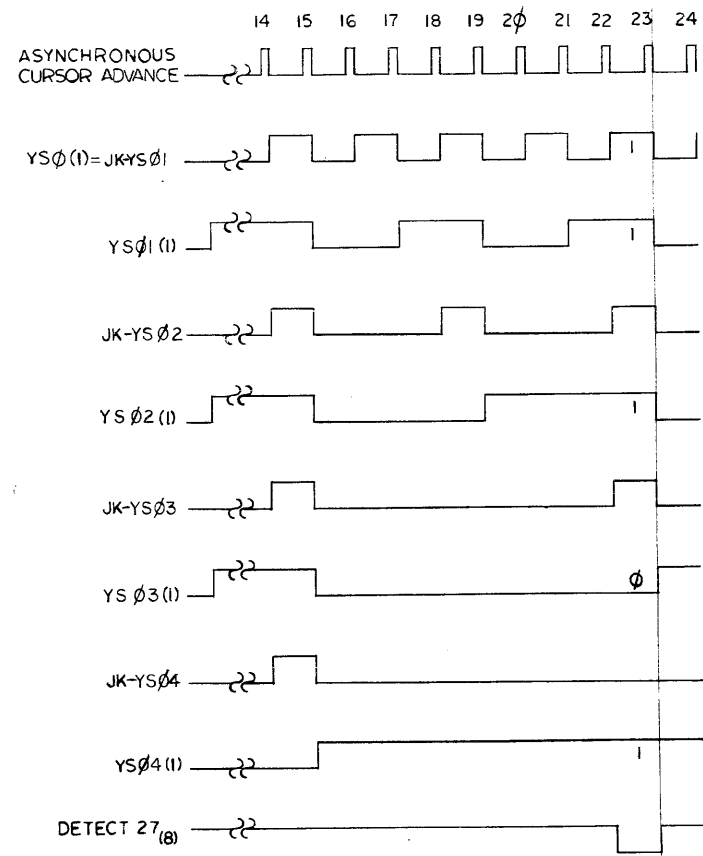
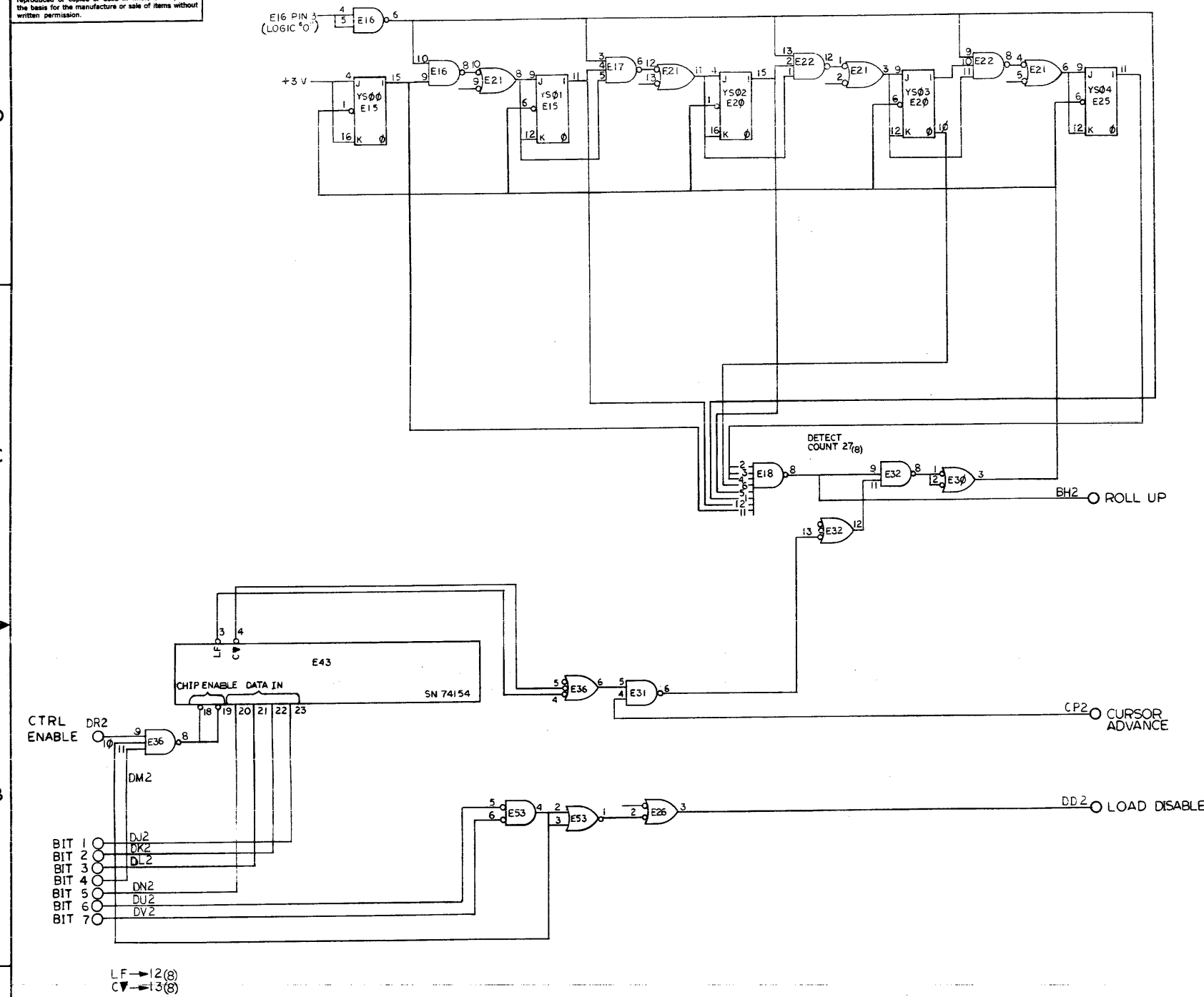
REV
CHANGED
DATE

FIRST USED ON OPTION/MODEL VT05	QTY.	DESCRIPTION	PART NO.	ITEM NO.
PARTS LIST				
UNLESS OTHERWISE SPECIFIED		DRN	DATE	digital EQUIPMENT CORPORATION MAYNARD, MASSACHUSETTS TITLE CURSOR UP (M-7000) SIZE CODE: NUMBER DTD VT05-0-04 REV.
UNLESS OTHERWISE SPECIFIED		CHKD	DATE	
DIMENSION IN INCHES		ENG	DATE	
TOLERANCES		PROJ. ENG	DATE	
DECIMALS ± .005		PROJ. ENG	DATE	
FRACTIONS ± 1/64		PROJ. ENG	DATE	
ANGLES ± 0°30'		PROJ. ENG	DATE	
FINAL SURFACE QUALITY		PROJ. ENG	DATE	
REMOVE BURRS AND BREAK SHARP CORNERS		PROJ. ENG	DATE	
MATERIAL	NEXT HIGHER ASSY	SCALE		
+	A-ML-VT05-0	SHEET 1 OF 1		

REV
NUMBER
D TD VT05-0-04

This drawing and specifications, herein, are the property of Digital Equipment Corporation and shall not be reproduced or copied or used in whole or in part as the basis for the manufacture or sale of items without written permission.

REV. 2
 NUMBER 50-0-05
 CODE 13003218



REV.	
CHANGE NO.	
CHK	

FIRST USED ON OPTION/MODEL VT05	QTY.	DESCRIPTION	PART NO.	ITEM NO.
UNLESS OTHERWISE SPECIFIED	DRY	DATE 12/4/70	PARTS LIST	
UNLESS OTHERWISE SPECIFIED	CHKD	DATE 1/27/71	digital EQUIPMENT CORPORATION MAYNARD, MASSACHUSETTS	
DIMENSION IN INCHES	ENG	DATE 6/6/71	TITLE	
TOLERANCES	PROJ. ENG.	DATE 6/15/71	CURSOR DOWN OR LF (LINE FEED)	
DECIMALS = 0.005	PROJ.	DATE 6/15/71	(M-7000)	
FRACTIONS = 1/64			MATERIAL	
ANGLES = 0°30'			NEXT HIGHER ASSY	
FINAL SURFACE QUALITY			FINISH	
REMOVE BURRS AND BREAK SHARP CORNERS			SCALE	
			SHEET 1 OF 1	
			SIZE/CODE NUMBER REV.	
			D1DVT05-0-05	
			DIST.	

This drawing and specifications, herein, are the property of Digital Equipment Corporation and shall not be reproduced or copied or used in whole or in part as the basis for the manufacture or sale of items without written permission.

90-0-9011 2

8

7

6

5

4

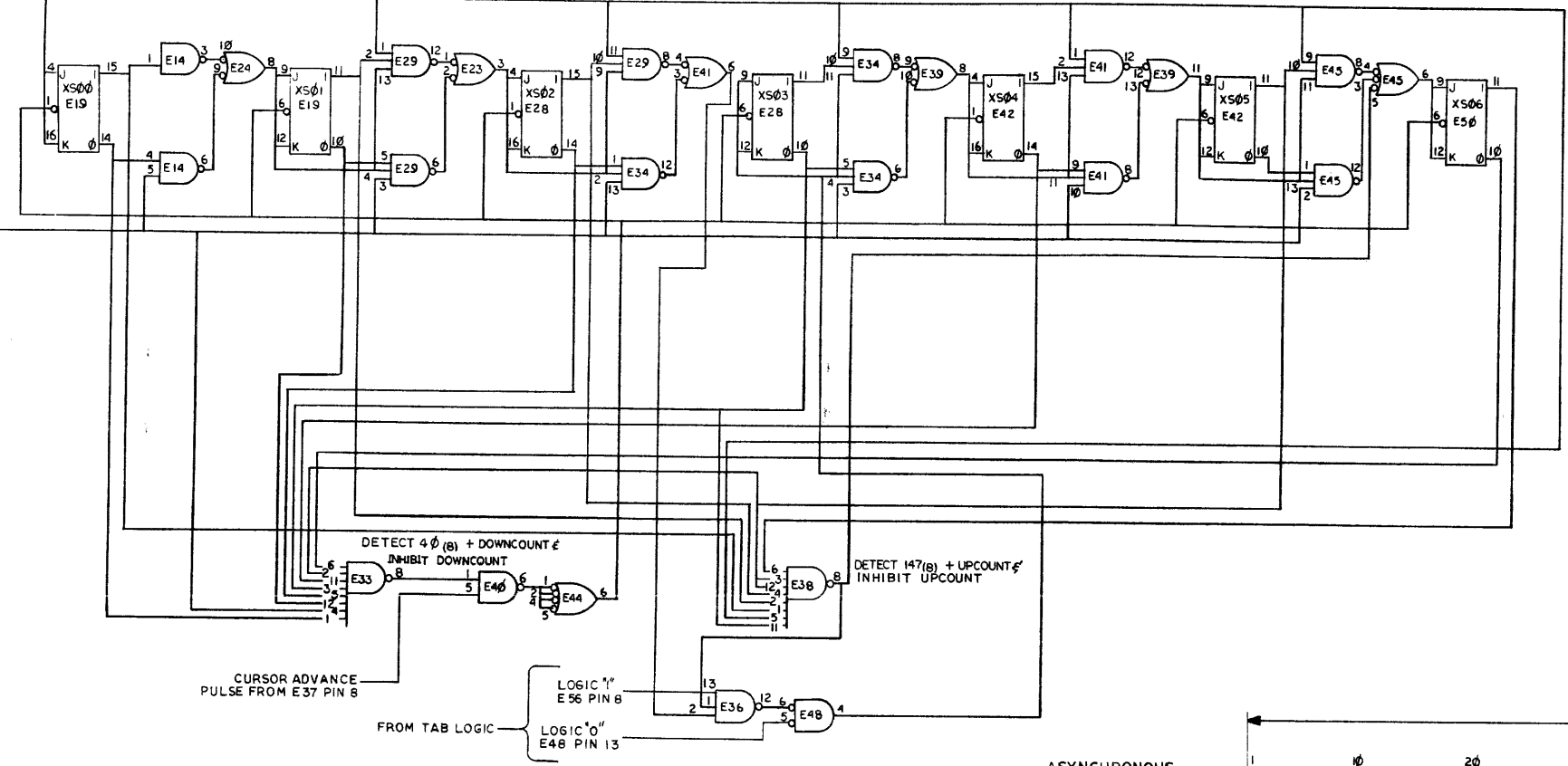
3

1

COUNT UP

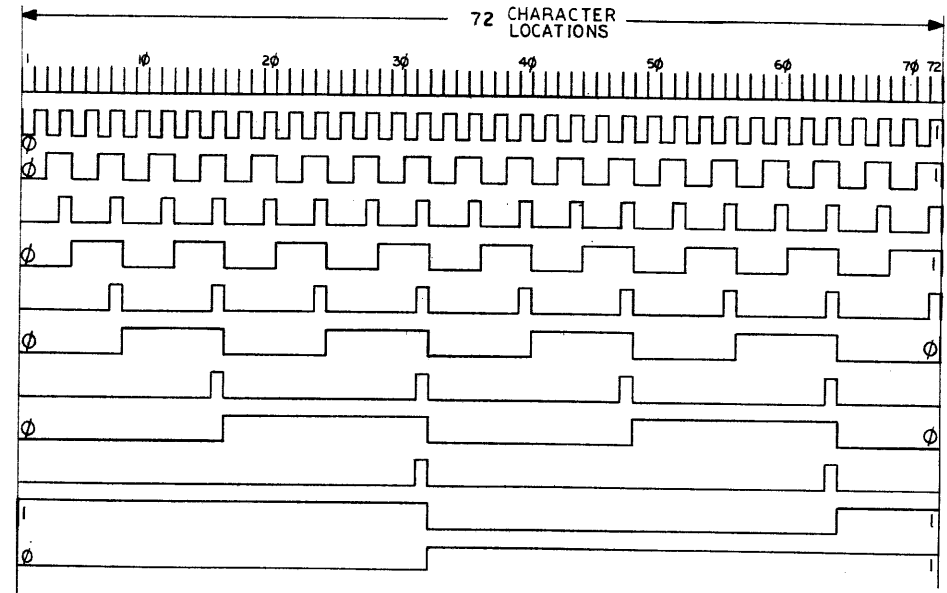
+3V

COUNT DOWN



ASYNCHRONOUS CURSOR ADVANCE

- XS00 (1) = JK-XS01
- XS01 (1)
- JK-XS02
- XS02 (1)
- JK-XS03
- XS03 (1)
- JK-XS04
- XS04 (1)
- JK-XS05
- XS05 (1)
- XS06 (1)



REVISIONS	REV.
CHANGE NO.	
CHK	

DEC FORM NO. 102A

FIRST USED ON OPTION / MODEL VT05	QTY.	DESCRIPTION	PART NO.	ITEM NO.
UNLESS OTHERWISE SPECIFIED	PARTS LIST			
UNLESS OTHERWISE SPECIFIED	DATE	DATE	digital EQUIPMENT CORPORATION MAYNARD, MASSACHUSETTS	
DIMENSION IN INCHES	12/30/70	1/2/71	TITLE	
TOLERANCES	DATE	DATE	STATIC X-COUNTER	
DECIMALS FRACTIONS ANGLES	6/16/71	7/17/71	NUMBER (M-7000)	
± .005 ± 1/64 ± 0°30'	PROJ. ENG.	DATE	SIZE CODE	
FINAL SURFACE QUALITY REMOVE BURRS AND BREAK SHARP CORNERS	DATE	DATE	DIST. DTD/VT05-0-06	
MATERIAL	NEXT HIGHER ASSY	SCALE	REV.	
FINISH	A-ML-VT05-0	SHEET 1 OF 1	REV.	

REV. NUMBER DTD/VT05-0-06

8

7

6

5

4

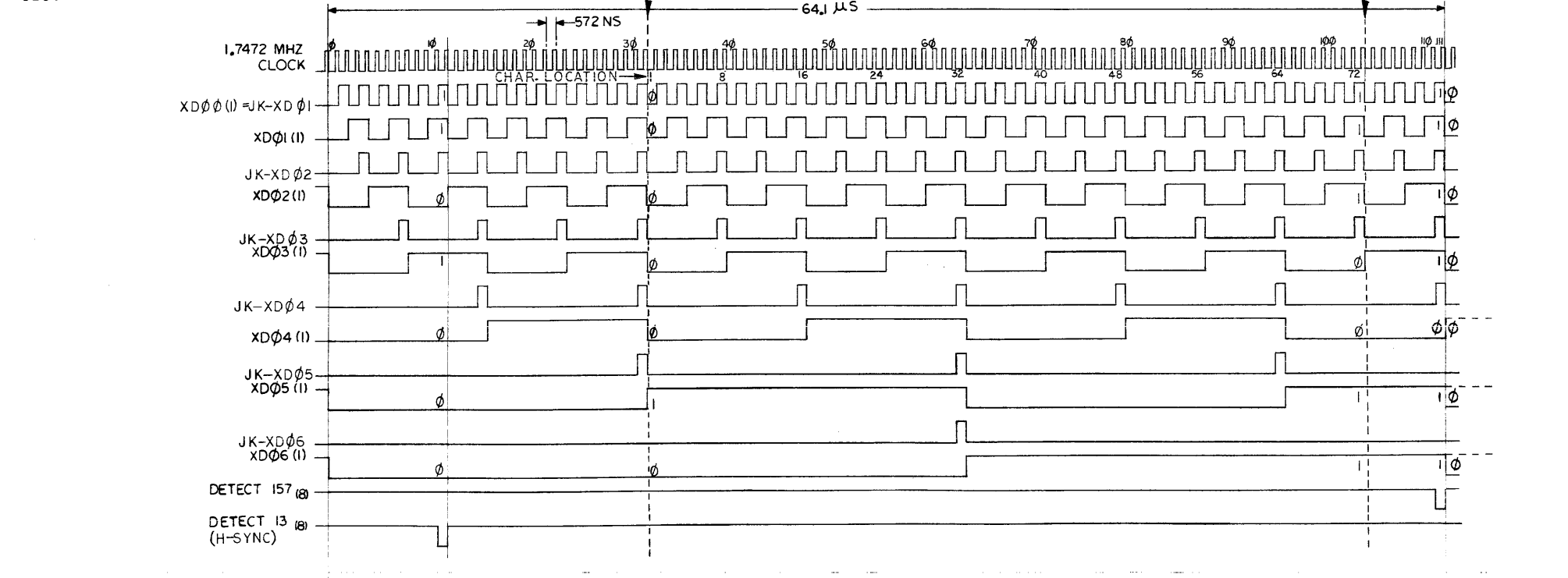
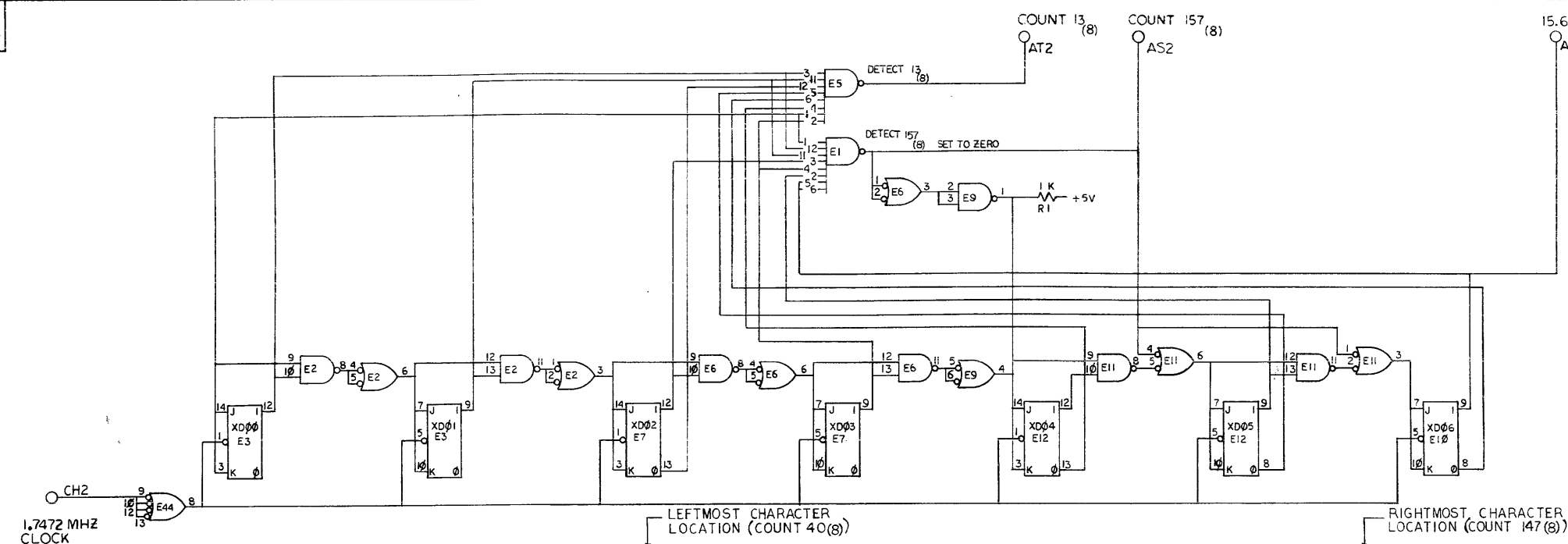
3

2

1

This drawing and specifications, herein, are the property of Digital Equipment Corporation and shall not be reproduced or copied or used in whole or in part as the basis for the manufacture or sale of items without written permission.

20-0-501A 2

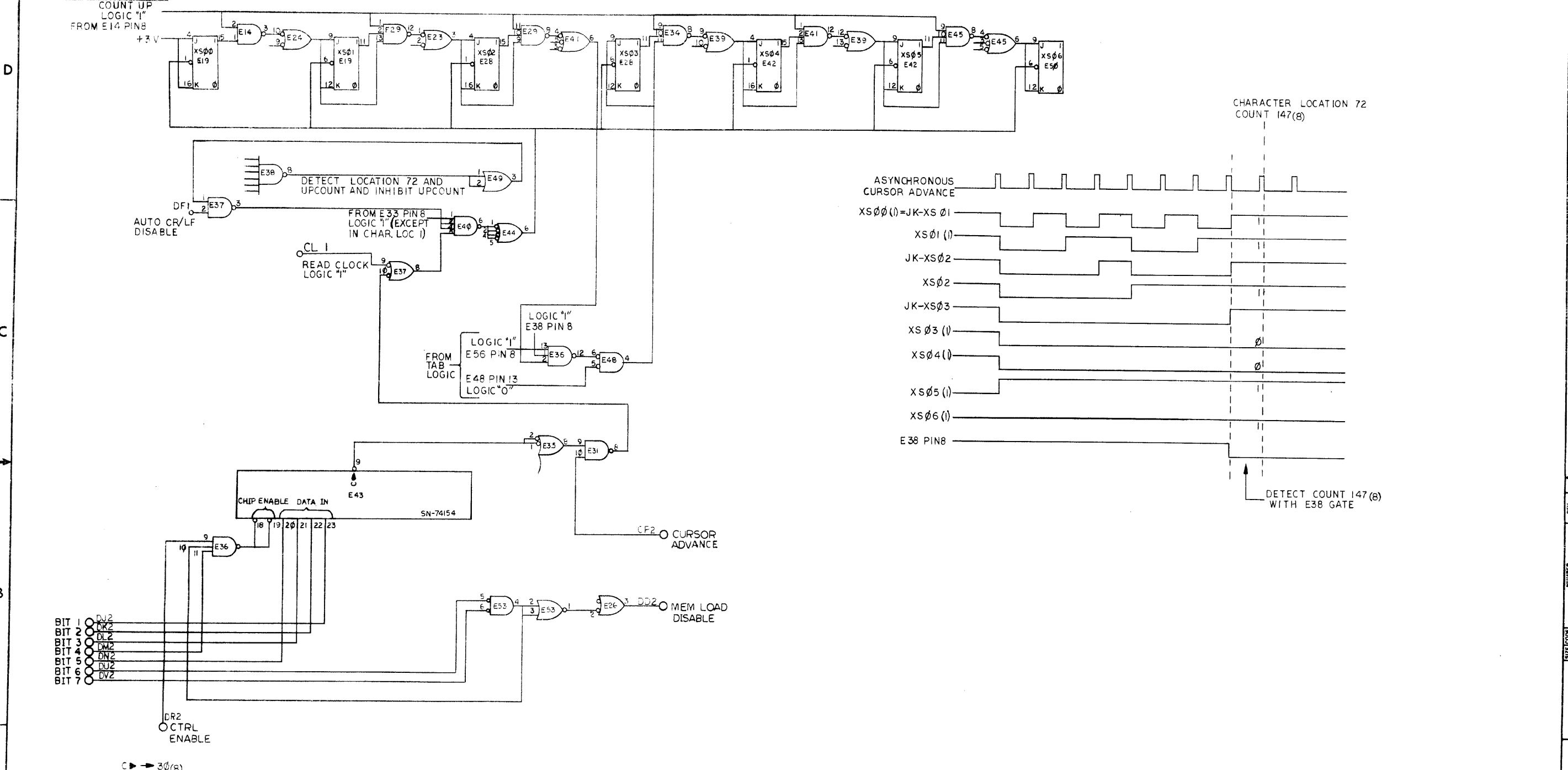


REV	
CHANGE NO.	
CHK	

FIRST USED ON OPTION/MODEL VT05	QTY.	DESCRIPTION	PART NO.	ITEM NO.
PARTS LIST				
UNLESS OTHERWISE SPECIFIED	DRN	DATE	digital EQUIPMENT CORPORATION MAYNARD, MASSACHUSETTS	
UNLESS OTHERWISE SPECIFIED	CHKD	DATE	TITLE	
DIMENSION IN INCHES	ENG	DATE	DYNAMIC X COUNTER	
TOLERANCES	PROJ. ENG.	DATE	(M-7000)	
DECIMALS FRACTIONS ANGLES	PROB	DATE	NEXT HIGHER ASSY	
± .005 ± 1/64 ± 0°30'			A-ML-VT05-0	
FINAL SURFACE QUALITY			SCALE	
REMOVE BURRS AND BREAK SHARP CORNERS			SHEET 1 OF 1	
MATERIAL			DIST.	
FINISH			SIZE CODE NUMBER REV.	
			DITDVT05-0-07	

This drawing and specifications, herein, are the property of Digital Equipment Corporation and shall not be reproduced or copied in whole or in part as the basis for the manufacture or sale of items without written permission.

80-0-901A 2



REV	CHG	NO

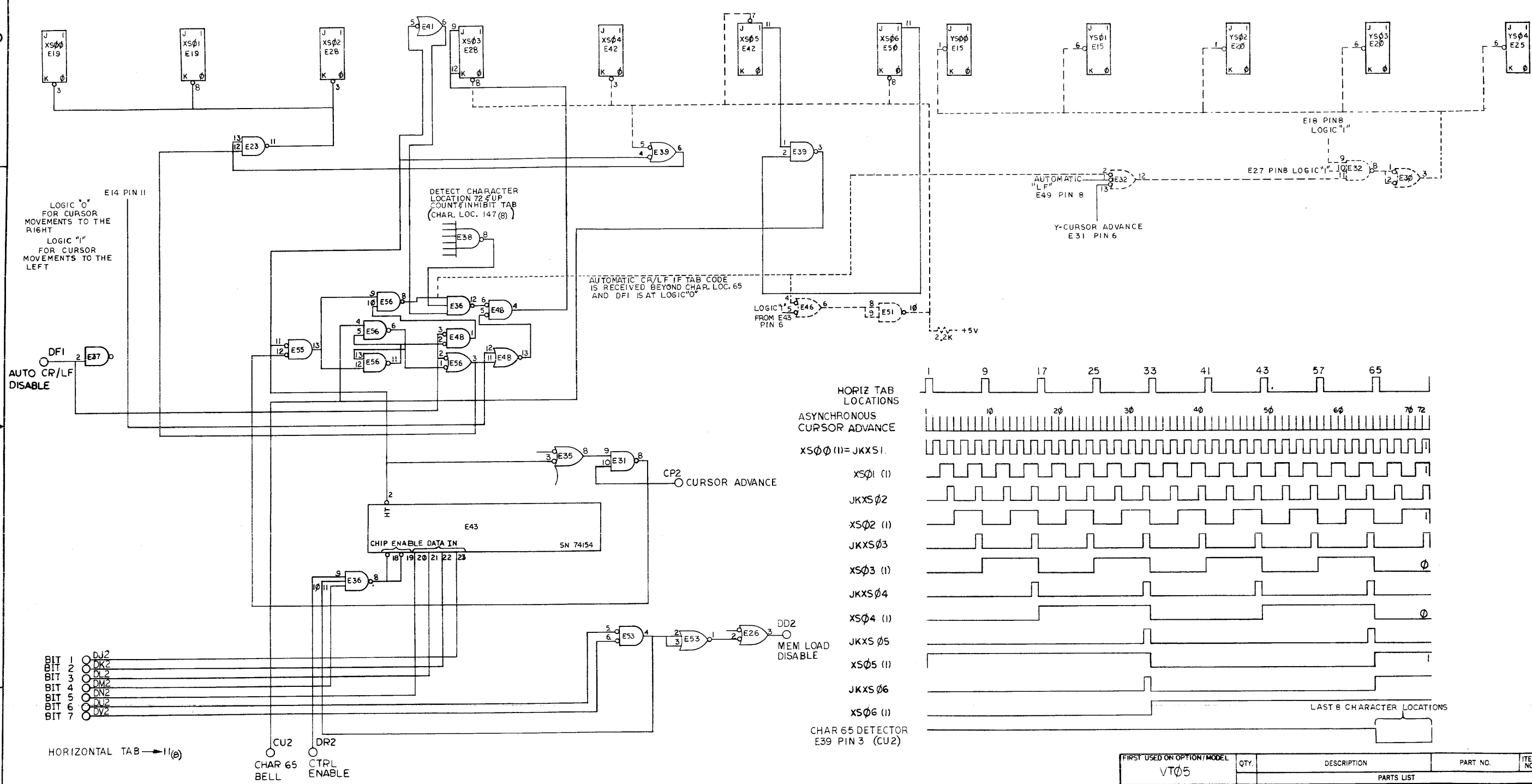
FIRST USED ON OPTION/MODEL VT05	QTY.	DESCRIPTION	PART NO.	ITEM NO.
PARTS LIST				
UNLESS OTHERWISE SPECIFIED	DRN	DATE	digital EQUIPMENT CORPORATION WAYNARD, MASSACHUSETTS	
UNLESS OTHERWISE SPECIFIED	CHRD	DATE	TITLE	
DIMENSION IN INCHES	ENG	DATE	CURSOR TO RIGHT	
TOLERANCES	PROJ. ENG.	DATE	(M-7000)	
DECIMALS FRACTIONS ANGLES	PROD	DATE	SIZE CODE NUMBER REV.	
= .005 = 1/64 = 0°30'	NEXT HIGH PRIORITY		DITD VT05-0-08	
FINAL SURFACE QUALITY	A-ML-VT05-0		DIST.	
REMOVE BURRS AND BREAK SHARP CORNERS	SCALE		SHEET 1 OF 1	
MATERIAL	FINISH			

REV. NUMBER
DITD VT05-0-08

B

A

This drawing and specifications, herein, are the property of Digital Equipment Corporation and shall not be reproduced or copied or used in whole or in part as the basis for the manufacture or sale of items without written permission.



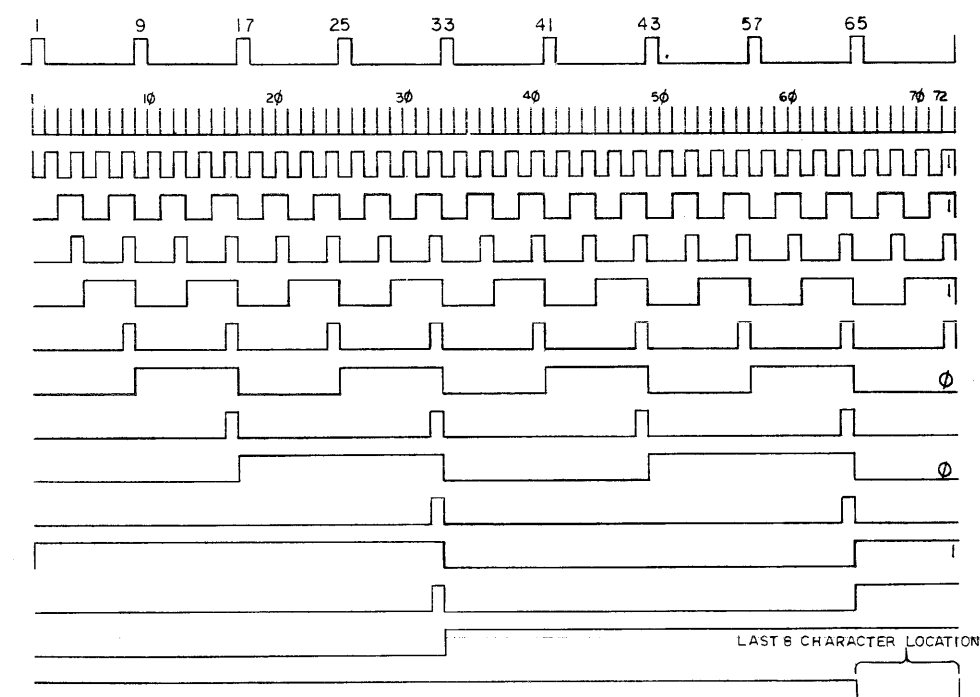
LOGIC "0" FOR CURSOR MOVEMENTS TO THE RIGHT
LOGIC "1" FOR CURSOR MOVEMENTS TO THE LEFT

DETECT CHARACTER LOCATION 72 & UP
COUNT & INHIBIT TAB (CHAR. LOC. 147 (8))

AUTOMATIC CR/LF IF TAB CODE IS RECEIVED BEYOND CHAR. LOC. 65 AND DF1 IS AT LOGIC "0"

AUTOMATIC "LF" E49 PIN 8
Y-CURSOR ADVANCE E31 PIN 6

HORIZ TAB LOCATIONS
ASYNCHRONOUS CURSOR ADVANCE
XS00 (I) = JKXS1
XS01 (I)
JKXS02
XS02 (I)
JKXS03
XS03 (I)
JKXS04
XS04 (I)
JKXS05
XS05 (I)
JKXS06
XS06 (I)
CHAR 65 DETECTOR E39 PIN 3 (CU2)

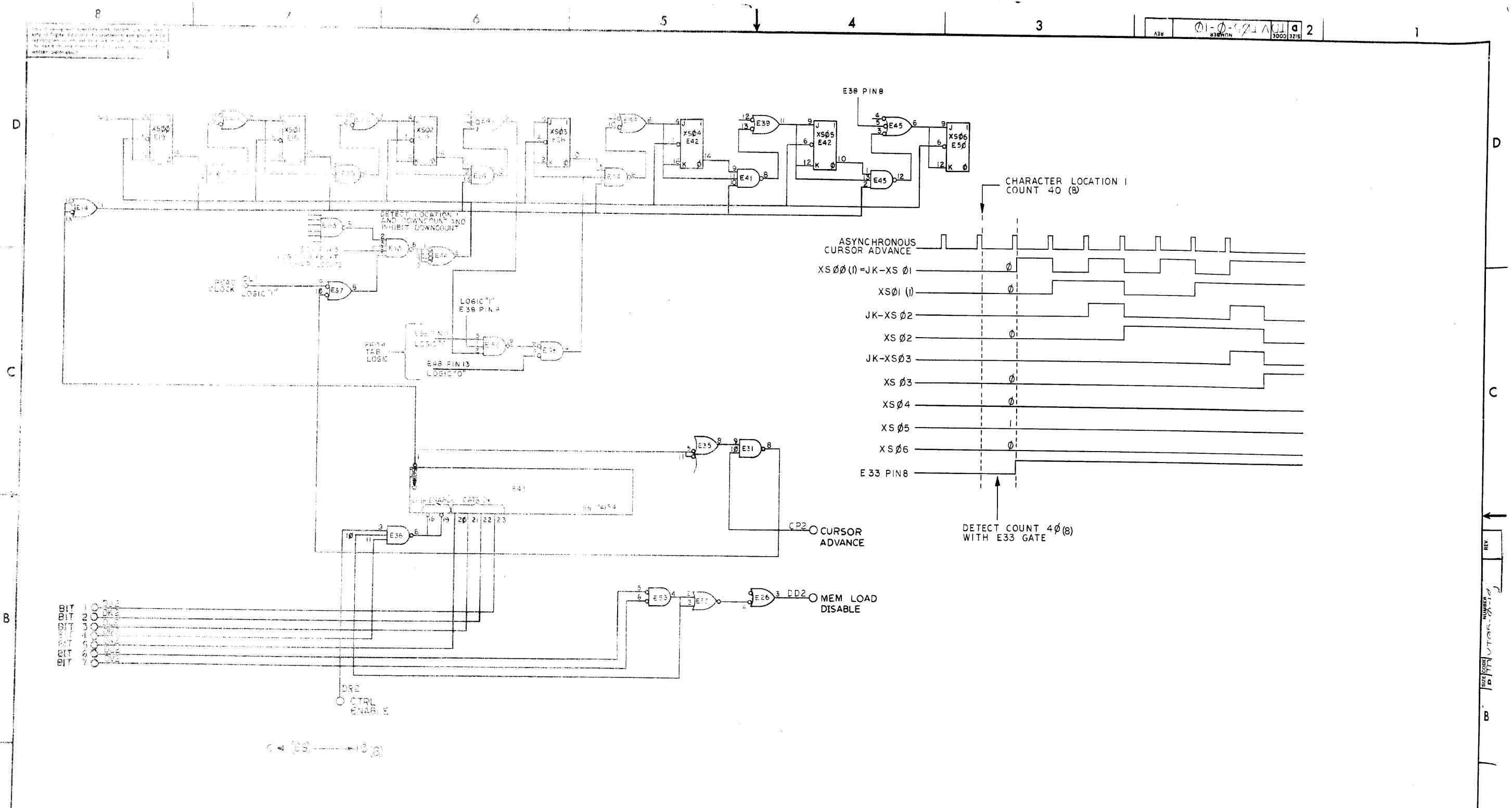


BIT 1 DJ2
BIT 2 DK2
BIT 3 DL2
BIT 4 DM2
BIT 5 DN2
BIT 6 DU2
BIT 7 DV2

HORIZONTAL TAB → I(0)
CU2 CHAR 65 BELL
DR2 CTRL ENABLE

FIRST USED ON OPTION/MODEL VT05	QTY.	DESCRIPTION	PART NO.	ITEM NO.
PARTS LIST				
UNLESS OTHERWISE SPECIFIED	DRN	DATE	digital EQUIPMENT CORPORATION MAYNARD MASSACHUSETTS	
UNLESS OTHERWISE SPECIFIED	CHKD	DATE	TITLE	
TOLERANCES	ENG	DATE	TAB LOGIC	
DECIMALS FRACTIONS ANGLES	PROJ. ENG.	DATE	(M-7000)	
= .005 = 1/64 = 0°30'	PROB	DATE	NEXT HIGHER ASSY	
FINAL SURFACE QUALITY			A-ML-VT05-0	
REMOVE BURRS AND BREAK SHARP CORNERS			SIZE CODE NUMBER	
MATERIAL			DTDVT05-0-09	
FINISH			DIST.	

REV	NO	CHG	NO
CHK			

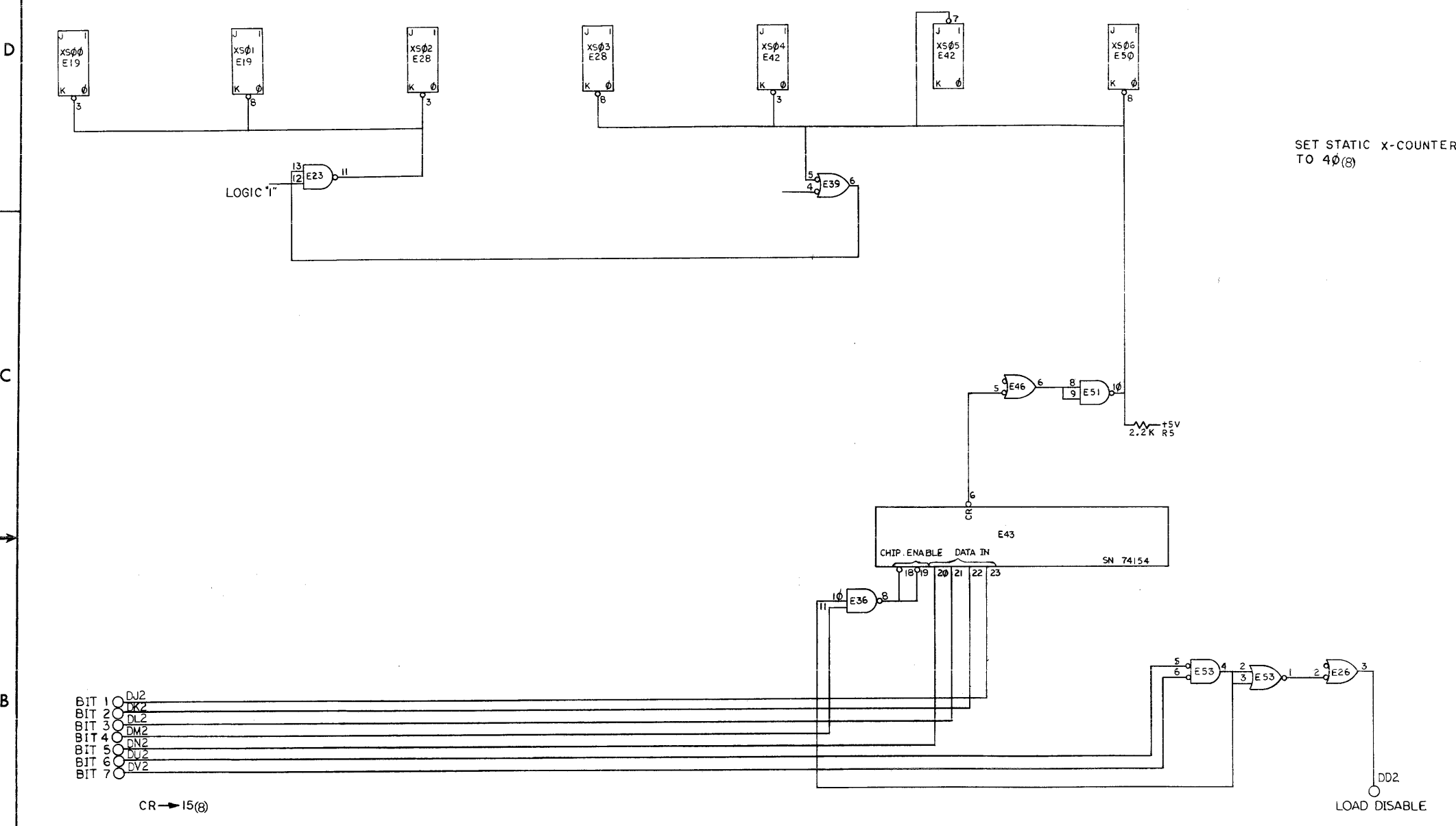


REV	
CHANGE NO.	
REVISIONS	

REV	
VT05-0-10	
VT05-0-10	

FIRST USED ON OPTION / MODEL VT05	QTY.	DESCRIPTION	PART NO.	ITEM NO.
UNLESS OTHERWISE SPECIFIED				
PARTS LIST				
DRN <i>D. Higgins</i> DATE 12/1/70 CHK'D <i>D. Higgins</i> DATE 12/7/70 ENG. <i>K. P. ...</i> DATE 6/10/71 PROJ. ENG. <i>K. P. ...</i> DATE 6/10/71 PROC. <i>K. P. ...</i> DATE				
UNLESS OTHERWISE SPECIFIED		digital EQUIPMENT CORPORATION MAYNARD, MASSACHUSETTS		
DIMENSION IN INCHES TOLERANCES DECIMALS ± .005 FRACTIONS ± 1/64 ANGLES ± 0°30' FINAL SURFACE QUALITY REMOVE BURRS AND BREAK SHARP CORNERS		TITLE CURSOR TO LEFT		
MATERIAL		NEXT HIGHER Assy		
FINISH		A-ML-VT05-0 (M-7000)		
SCALE		SIZE CODE NUMBER REV.		
SHEET 1 OF 1		DITD VT05-0-10		

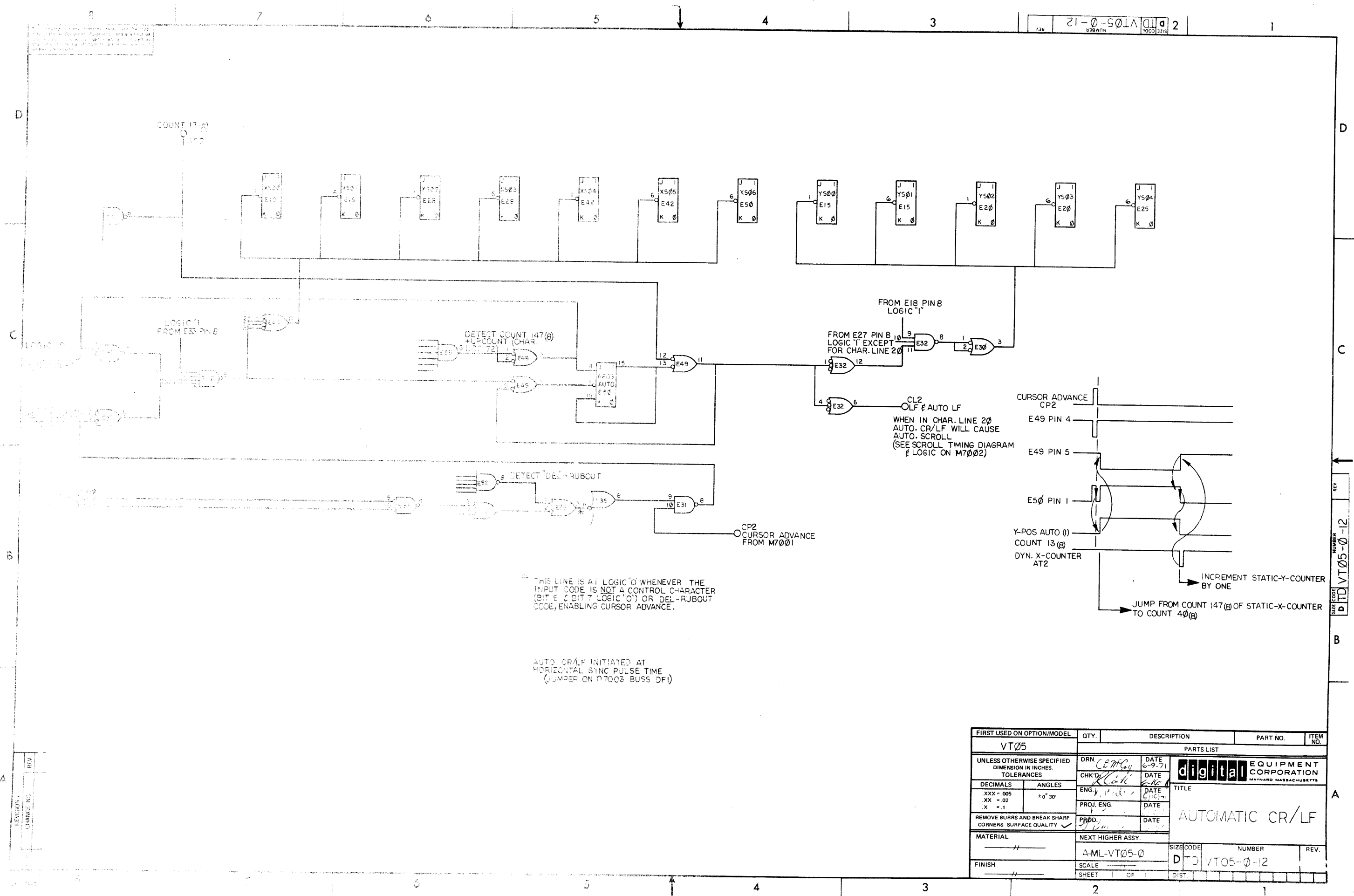
This drawing and specifications, herein, are the property of Digital Equipment Corporation and shall not be reproduced or copied or used in whole or in part as the basis for the manufacture or sale of items without written permission.



REVISIONS	REV
CHK	CHANGE NO.

FIRST USED ON OPTION/MODEL VT05	QTY.	DESCRIPTION	PART NO.	ITEM NO.
PARTS LIST				
UNLESS OTHERWISE SPECIFIED	DRN	DATE	digital EQUIPMENT CORPORATION MAYNARD, MASSACHUSETTS	
UNLESS OTHERWISE SPECIFIED	CHK	DATE	TITLE	
UNLESS OTHERWISE SPECIFIED	ENG	DATE	CARRIAGE RETURN (CR)	
UNLESS OTHERWISE SPECIFIED	PROJ. ENG.	DATE	(M-7000)	
UNLESS OTHERWISE SPECIFIED	PROD.	DATE	NEXT HIGHER ASSY	
MATERIAL	A-ML-VT05-0		SIZE CODE	NUMBER
FINISH	SCALE		DITD VT05-0-11	REV.
DEC FORM NO. DRD 102A	SHEET	OF	DIST.	

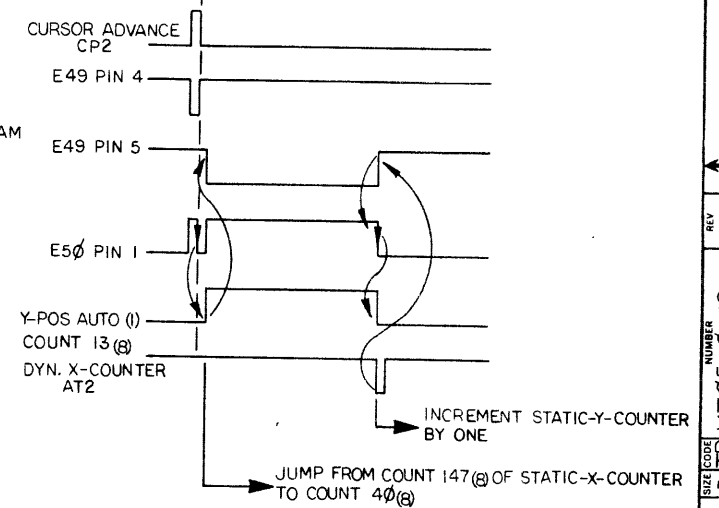
REV. NUMBER
DITD VT05-0-11



* THIS LINE IS AT LOGIC '0' WHENEVER THE INPUT CODE IS NOT A CONTROL CHARACTER (BIT 6 & BIT 7 LOGIC '0') OR DEL-RUBOUT CODE, ENABLING CURSOR ADVANCE.

AUTO CR/LF INITIATED AT HORIZONTAL SYNC PULSE TIME (JUMPER ON M7003 BUSS DF1)

FROM E18 PIN 8 LOGIC '1'
 FROM E27 PIN 8 LOGIC '1' EXCEPT FOR CHAR. LINE 20
 CL2 OLF & AUTO LF
 WHEN IN CHAR. LINE 20 AUTO. CR/LF WILL CAUSE AUTO. SCROLL (SEE SCROLL TIMING DIAGRAM & LOGIC ON M7002)

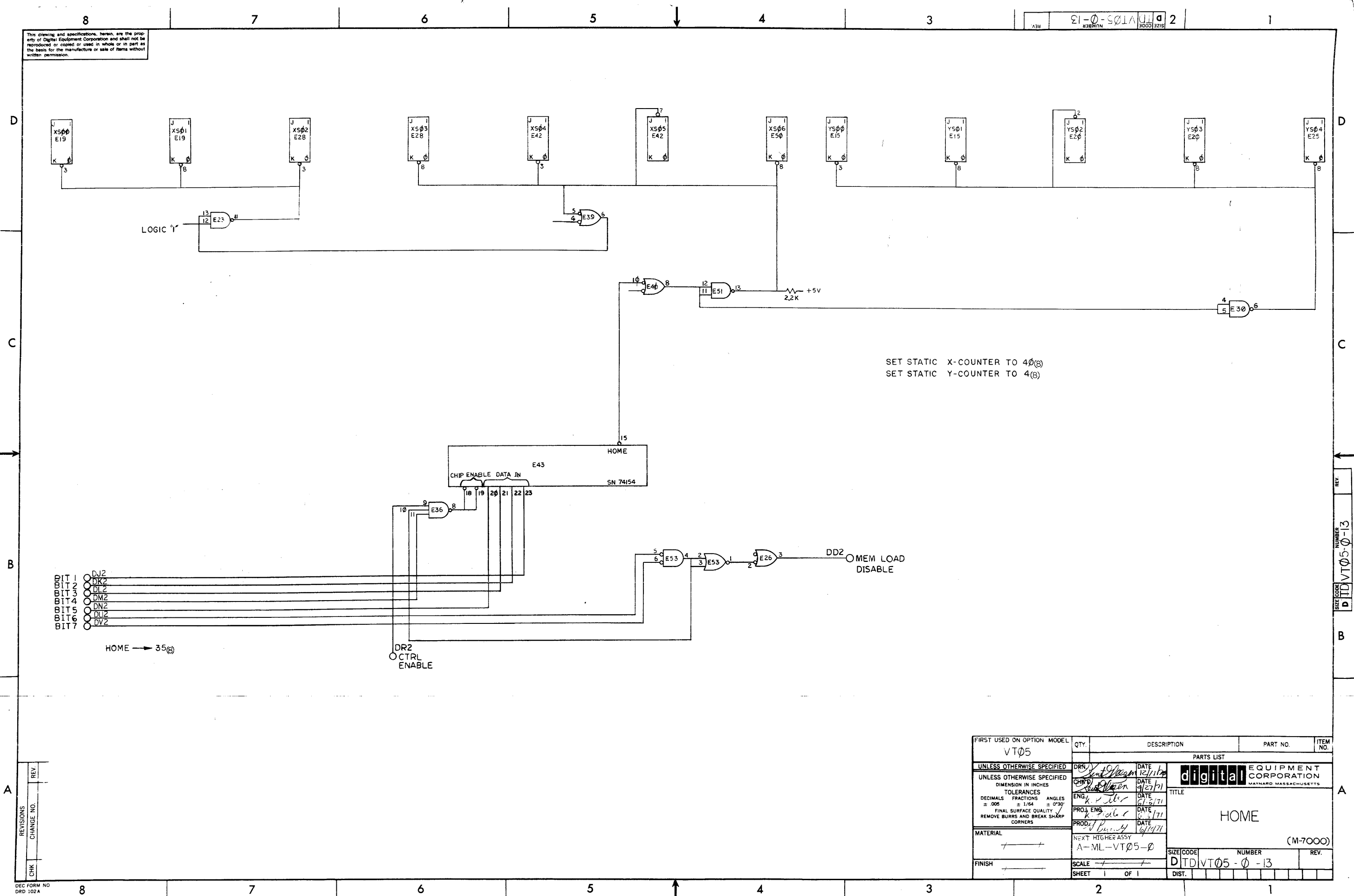


REV.	REV.
CHANGE NO.	REV.

FIRST USED ON OPTION/MODEL	QTY.	DESCRIPTION	PART NO.	ITEM NO.
VT05				
PARTS LIST				
UNLESS OTHERWISE SPECIFIED DIMENSION IN INCHES. TOLERANCES	DRN <i>CEMoy</i> DATE 6-9-71	digital EQUIPMENT CORPORATION MAYNARD MASSACHUSETTS		
DECIMALS .XXX = .005 .XX = .02 .X = .1	CHK'D <i>Kok</i> DATE 6-10-71			
ANGLES ±0° 30'	ENG <i>Kok</i> DATE 6-10-71	TITLE AUTOMATIC CR/LF		
REMOVE BURRS AND BREAK SHARP CORNERS SURFACE QUALITY	PROJ. ENG. DATE			
MATERIAL	PRDD. DATE	SIZE CODE NUMBER REV. A-ML-VT05-0 DTD VT05-0-12		
FINISH	NEXT HIGHER ASSY.			
SCALE		SHEET OF DIST		

This drawing and specifications, herein, are the property of Digital Equipment Corporation and shall not be reproduced or copied or used in whole or in part as the basis for the manufacture or sale of items without written permission.

3000 2215



SET STATIC X-COUNTER TO 40(8)
SET STATIC Y-COUNTER TO 4(8)

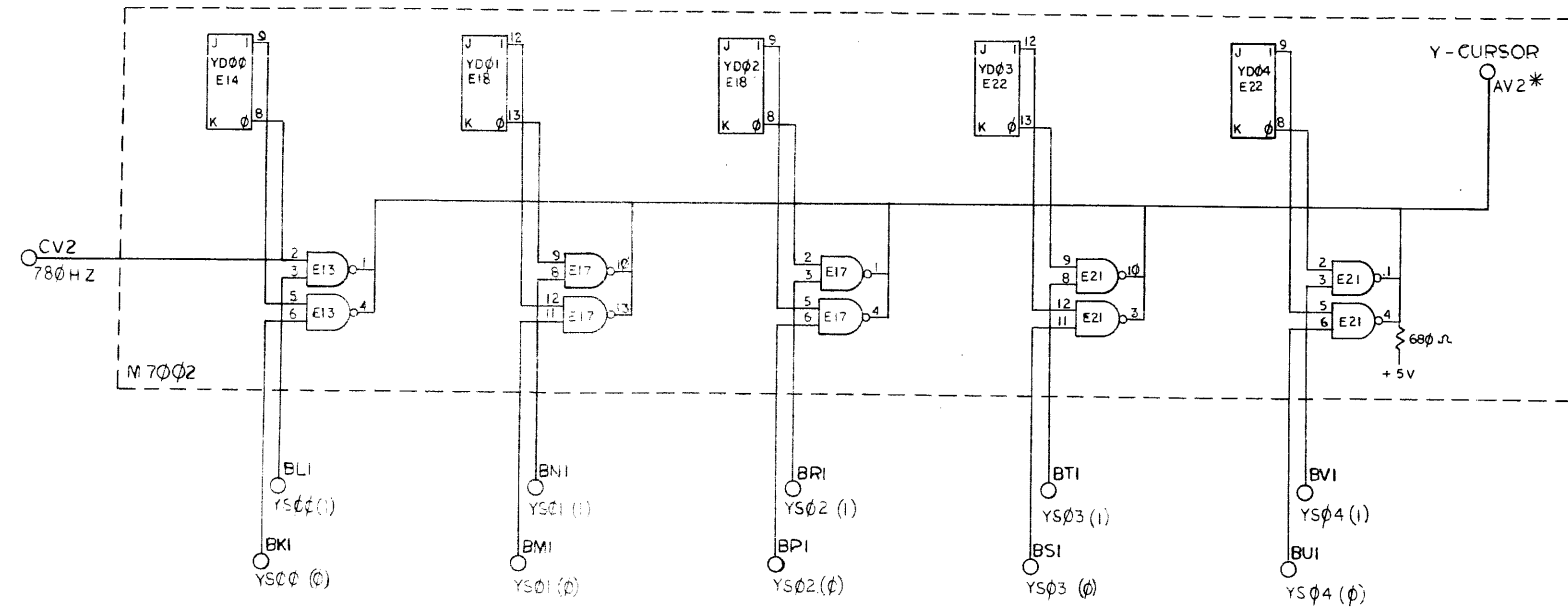
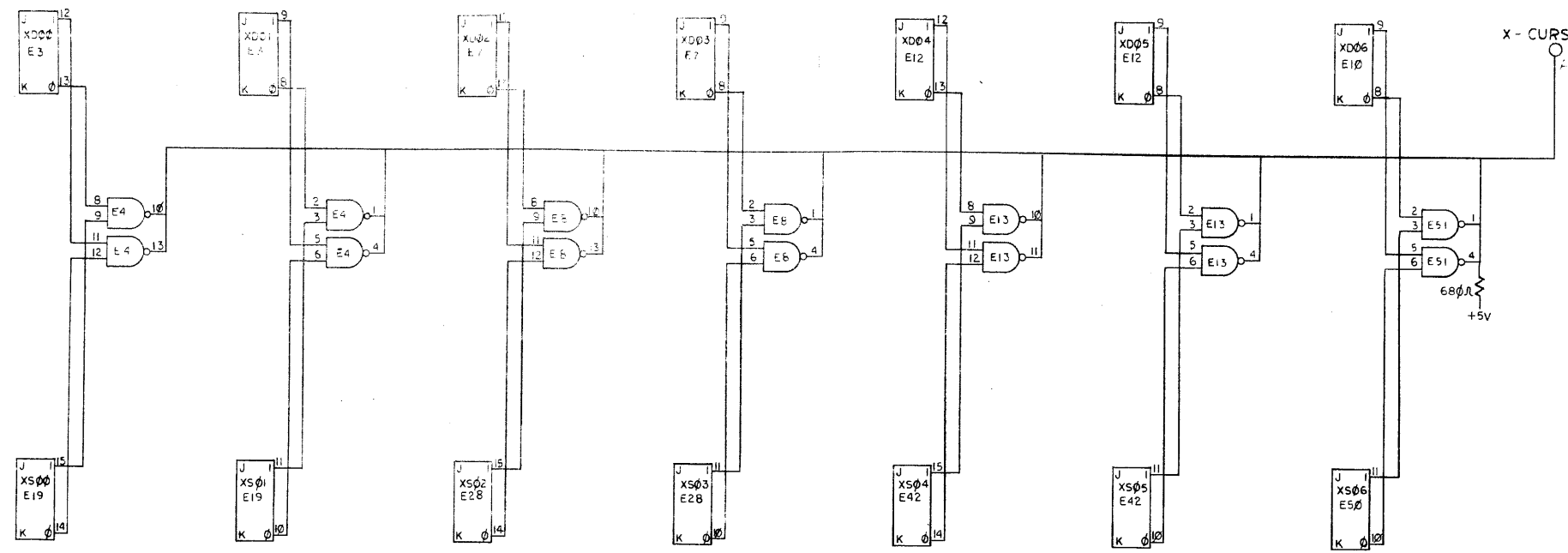
REV	
CHANGE NO.	
CHK	

DEC FORM NO. DRD 102A

FIRST USED ON OPTION MODEL VT05	QTY.	DESCRIPTION	PART NO.	ITEM NO.
UNLESS OTHERWISE SPECIFIED				
UNLESS OTHERWISE SPECIFIED	DRN	DATE	PARTS LIST	
DIMENSION IN INCHES	CHKD	DATE	digital EQUIPMENT CORPORATION MAYNARD, MASSACHUSETTS	
TOLERANCES	ENG.	DATE	TITLE	
DECIMALS FRACTIONS ANGLES	PROJ. ENG.	DATE	HOME	
± .005 ± 1/64 ± 0°30'	PRODR	DATE	(M-7000)	
FINAL SURFACE QUALITY REMOVE BURRS AND BREAK SHARP CORNERS				
MATERIAL	NEXT HIGHER ASSY			
	A-ML-VT05-0			
FINISH	SCALE	SIZE CODE		NUMBER
		DITDVT05-0-13		REV.
	SHEET	OF	DIST.	

REV. NUMBER DITDVT05-0-13

The drawing and specifications herein are the property of Digital Equipment Corporation and shall not be reproduced or copied or used in whole or in part as the basis for the manufacture or sale of items without written permission.



* LOGIC "1" WHEN ALL FLIP FLOPS OF DYNAMIC AND STATIC COUNTER ARE SET TO THE SAME COUNT.

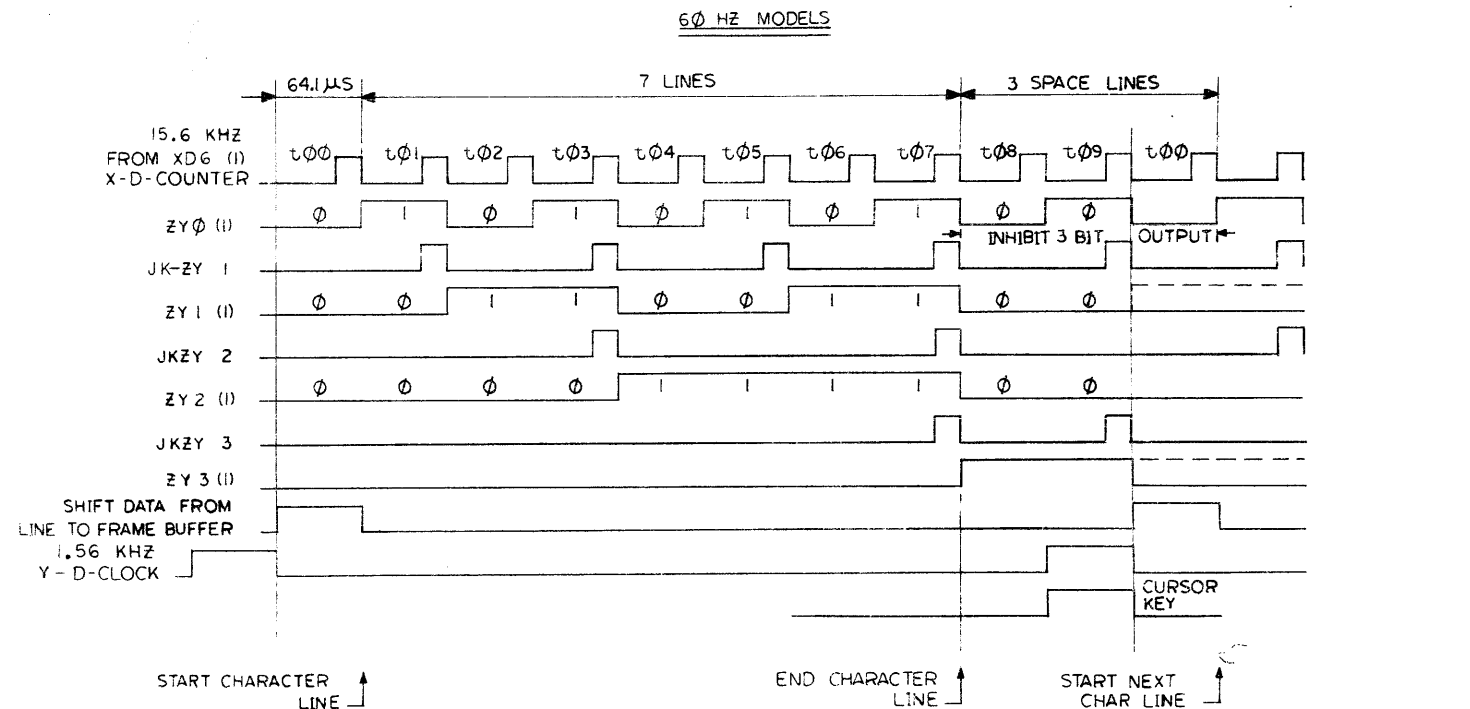
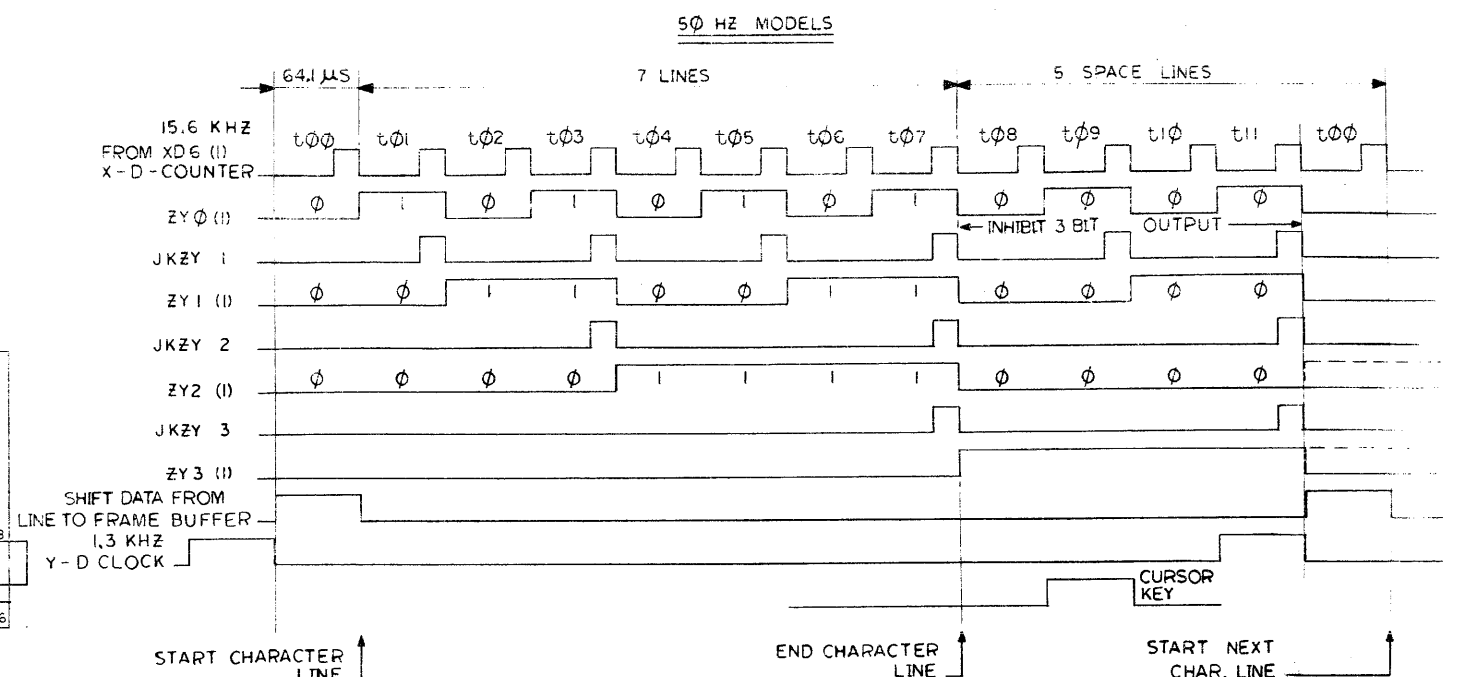
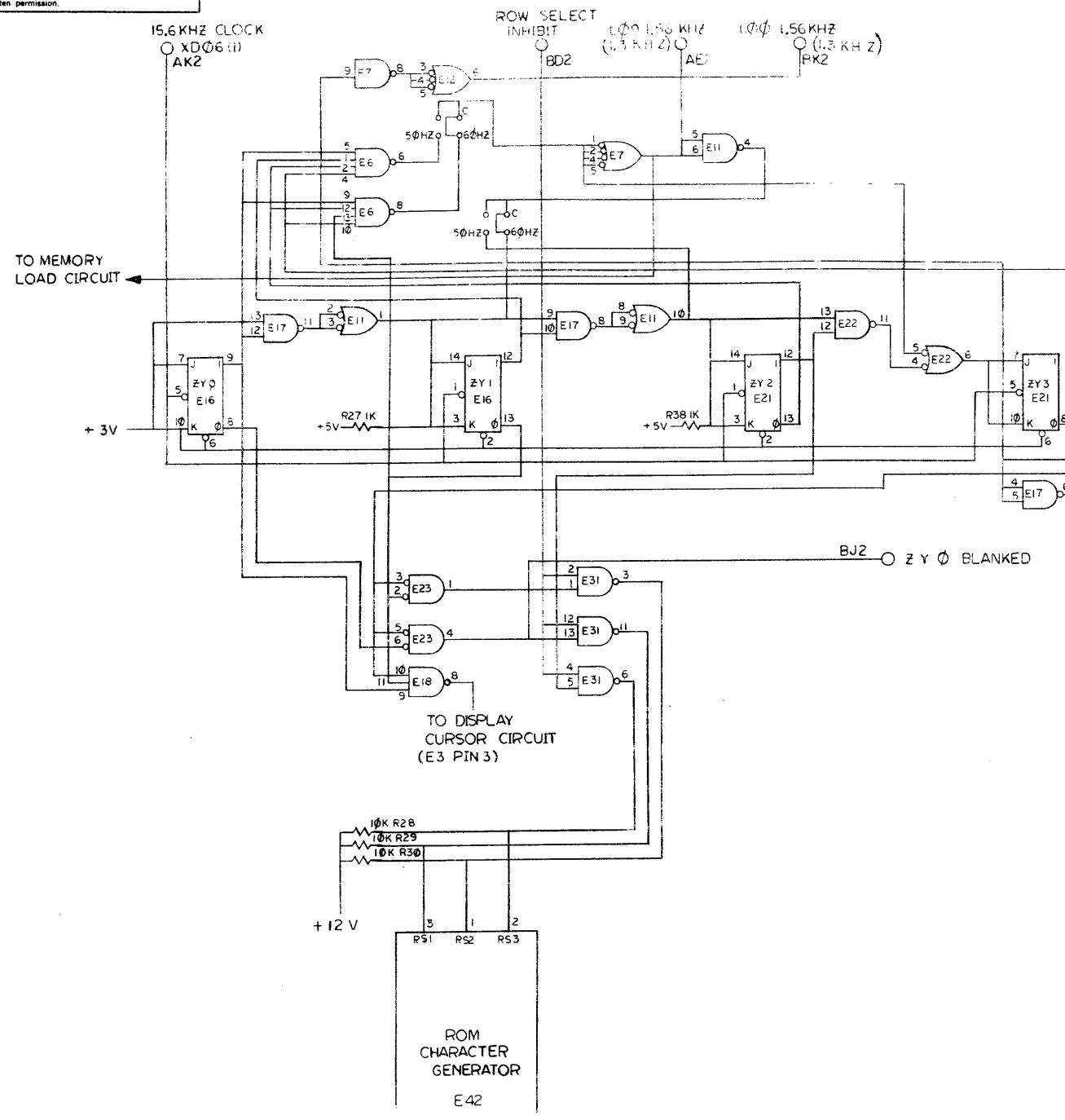
REVISIONS	NO.	DATE
CHK	CHANGE NO.	

FIRST USED ON OPTION/MODEL VT05	QTY.	DESCRIPTION	PART NO.	ITEM NO.
UNLESS OTHERWISE SPECIFIED				
DIMENSION IN INCHES				
TOLERANCES				
DECIMALS	FRACTIONS	ANGLES		
= .005	= 1/64	= 0°30'		
FINAL SURFACE QUALITY REMOVE BURRS AND BREAK SHARP CORNERS				
MATERIAL	NEXT HIGHER ASSY			
FINISH	SCALE			
SHEET 1		OF 1		DIST.

DRN: [Signature]	DATE: 1/12/71	PARTS LIST digital EQUIPMENT CORPORATION MAYNARD, MASSACHUSETTS
CHK: [Signature]	DATE: 1/20/71	
ENG: [Signature]	DATE: 1/25/71	
PROJ. ENG. [Signature]	DATE: 1/26/71	
TITLE		X & Y COMPARATOR (M-7000)(M-7002)
MATERIAL		
FINISH		SIZE CODE NUMBER REV.
A-ML-VT05-0		DTC VT05-0-14

REV. NO. 14
DTC VT05-0-14

This drawing and specifications, herein, are the property of Digital Equipment Corporation and shall not be reproduced or copied or used in whole or in part as the basis for the manufacture or sale of items without written permission.

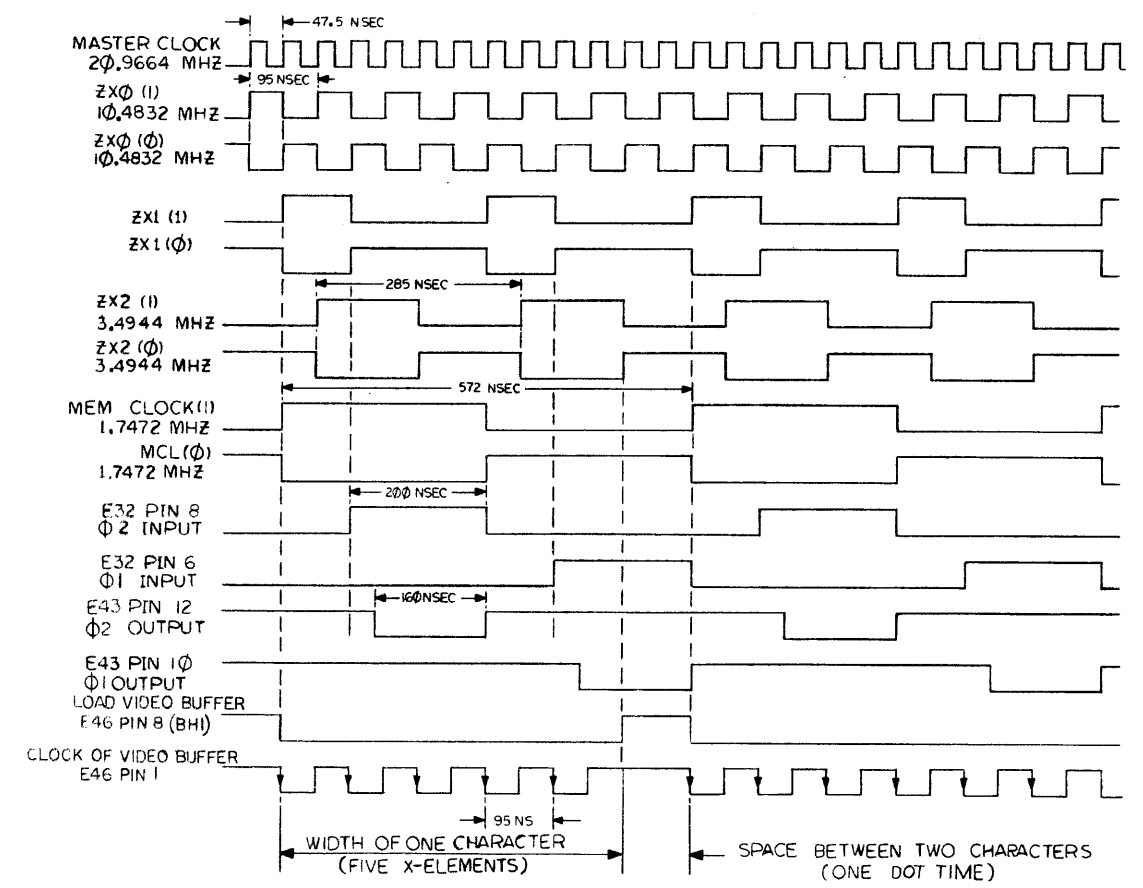
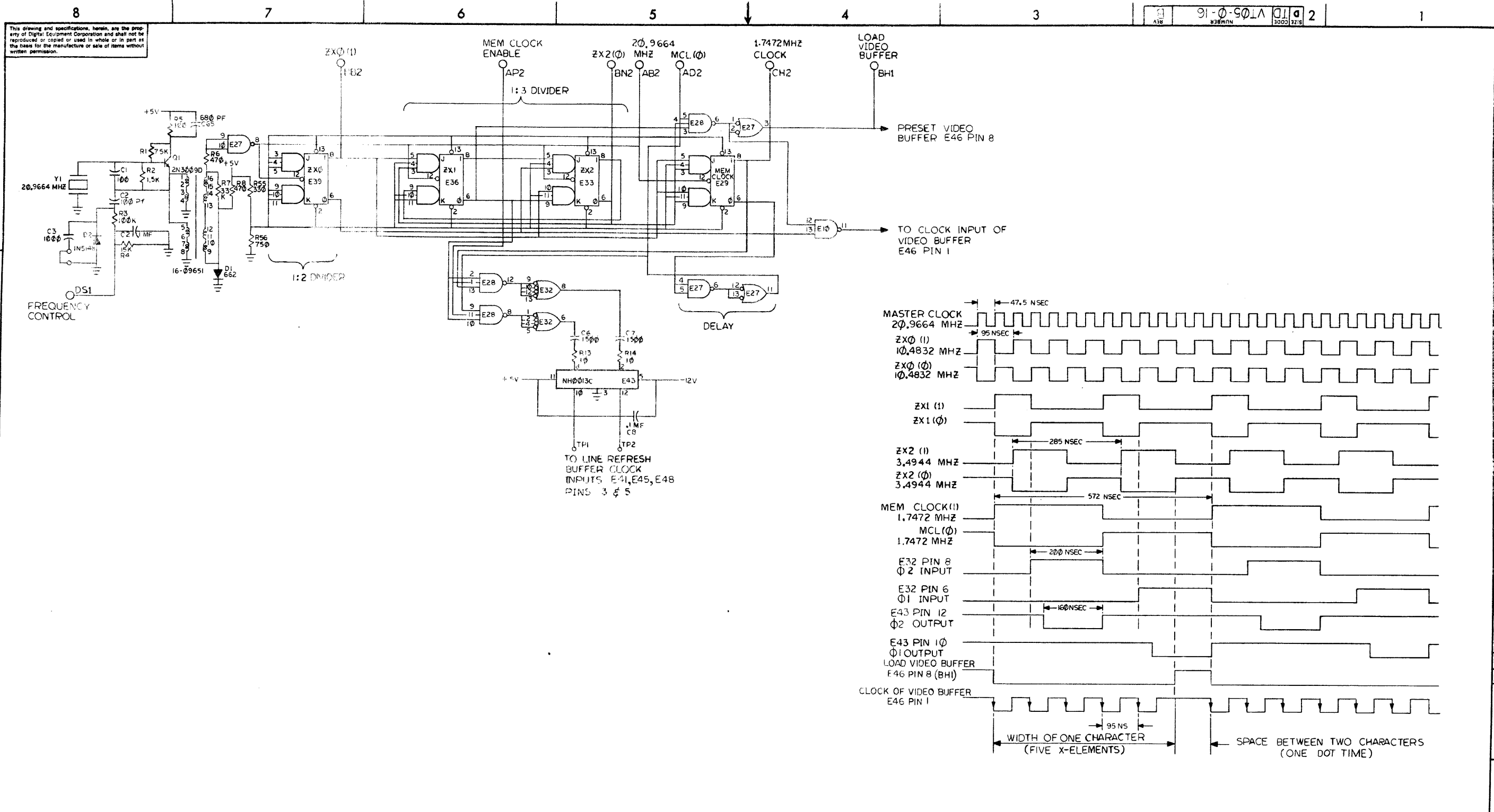


REV.	
CHG	
REVISIONS	
CHANGE NO.	

FIRST USED ON OPTION/MODEL VT05	QTY.	DESCRIPTION	PART NO.	ITEM NO.
UNLESS OTHERWISE SPECIFIED DRN: DATE 11/23/70				
UNLESS OTHERWISE SPECIFIED CHN: DATE 5/14/71				
DIMENSION IN INCHES				
TOLERANCES				
DECIMALS FRACTIONS ANGLES				
= .005 = 1/64 = 0°30'				
FINAL SURFACE QUALITY / REMOVE BURRS AND BREAK SHARP CORNERS				
MATERIAL	NEXT HIGHER ASSY	TITLE		
++	A-ML-VT05-0	ROW SELECT CIRCUIT (M7001)		
FINISH	SCALE	SIZE CODE	NUMBER	REV.
++	++	D T D	VT05-0-15	
SHEET 1	OF 1	DIST.		

SIZE CODE NUMBER D T D VT05-0-15 REV.

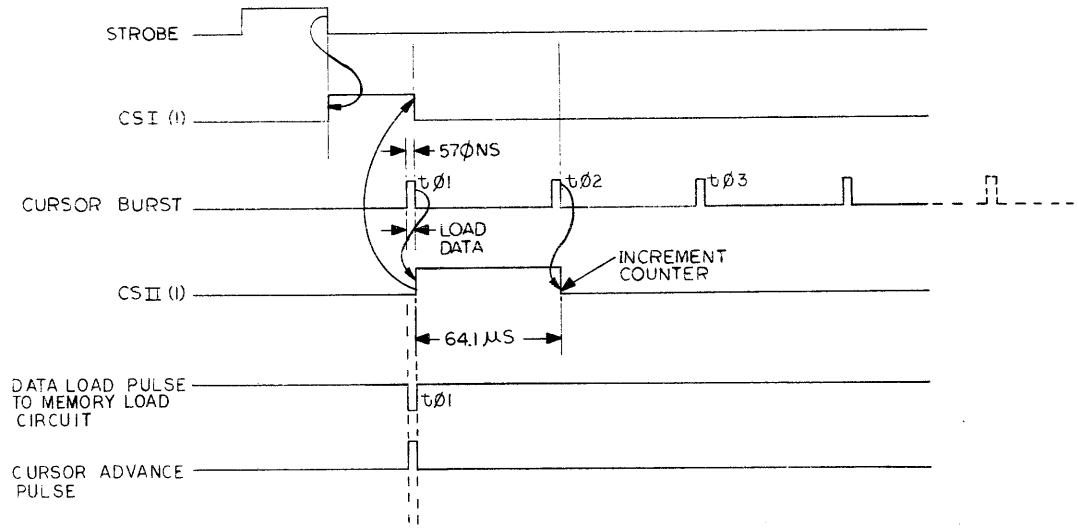
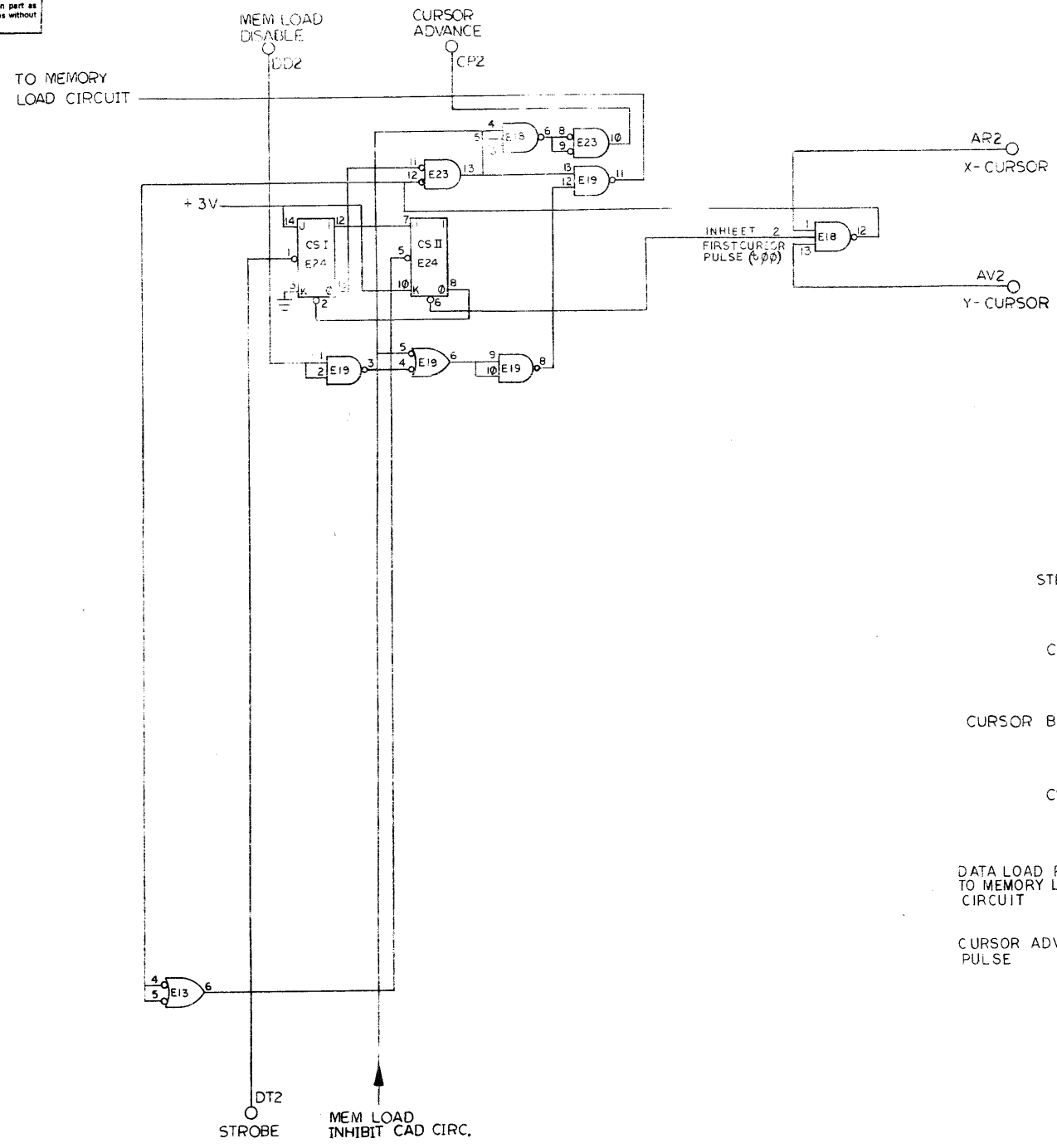
This drawing and specifications, herein, are the property of Digital Equipment Corporation and shall not be reproduced or copied or used in whole or in part as the basis for the manufacture or sale of items without written permission.



REV	NO	DATE	BY
A	1	3/15/77	...
B	2	6/16/77	...
C	3	8/16/77	...
D	4	9/2/77	...

FIRST USED ON OPTION/MODEL	QTY.	DESCRIPTION	PART NO.	ITEM NO.
VT05				
UNLESS OTHERWISE SPECIFIED				
DIMENSION IN INCHES				
TOLERANCES				
DECIMALS FRACTIONS ANGLES				
± .005 ± 1/64 ± 0°30'				
FINAL SURFACE QUALITY REMOVE BURRS AND BREAK SHARP CORNERS				
MATERIAL	---	NEXT HIGHER ASSY	A-ML-VT05-0	
FINISH	---	SCALE	SHEET 1 OF 1	
TITLE		CHARACTER LOCATION COUNTER (M-7001)		
SIZE CODE		D TD VT05-0-16		
NUMBER		REV. B		

This drawing and specifications, herein, are the property of Digital Equipment Corporation and shall not be reproduced or copied or used in whole or in part as the basis for the manufacture or sale of items without written permission.

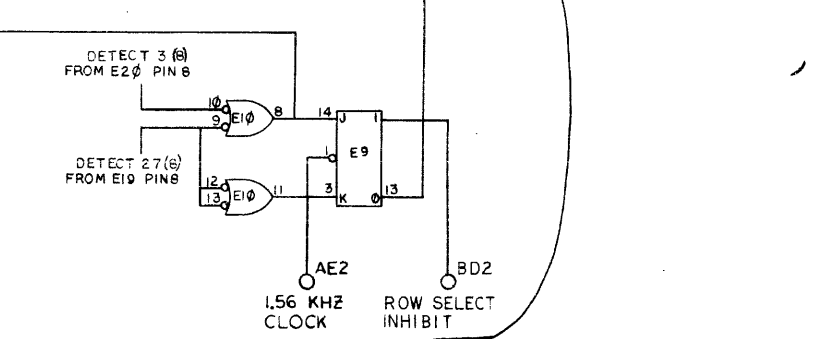
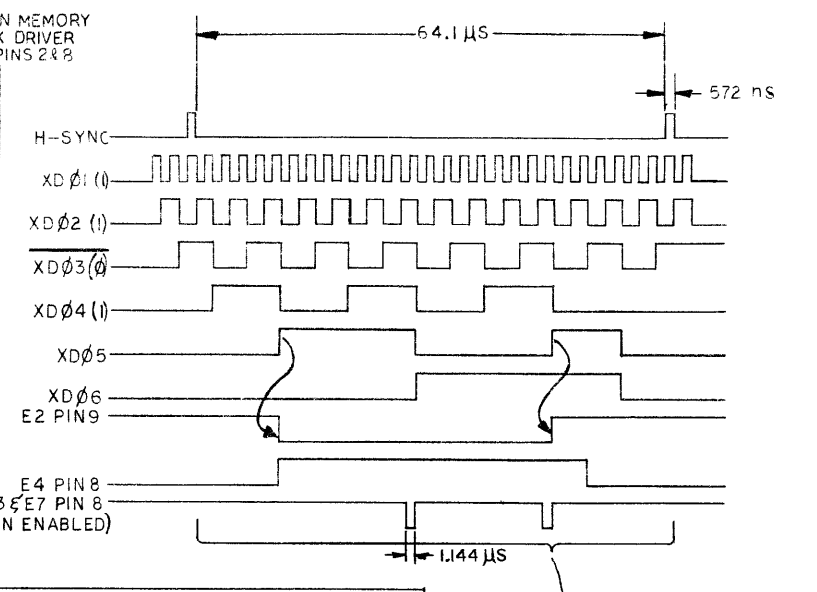
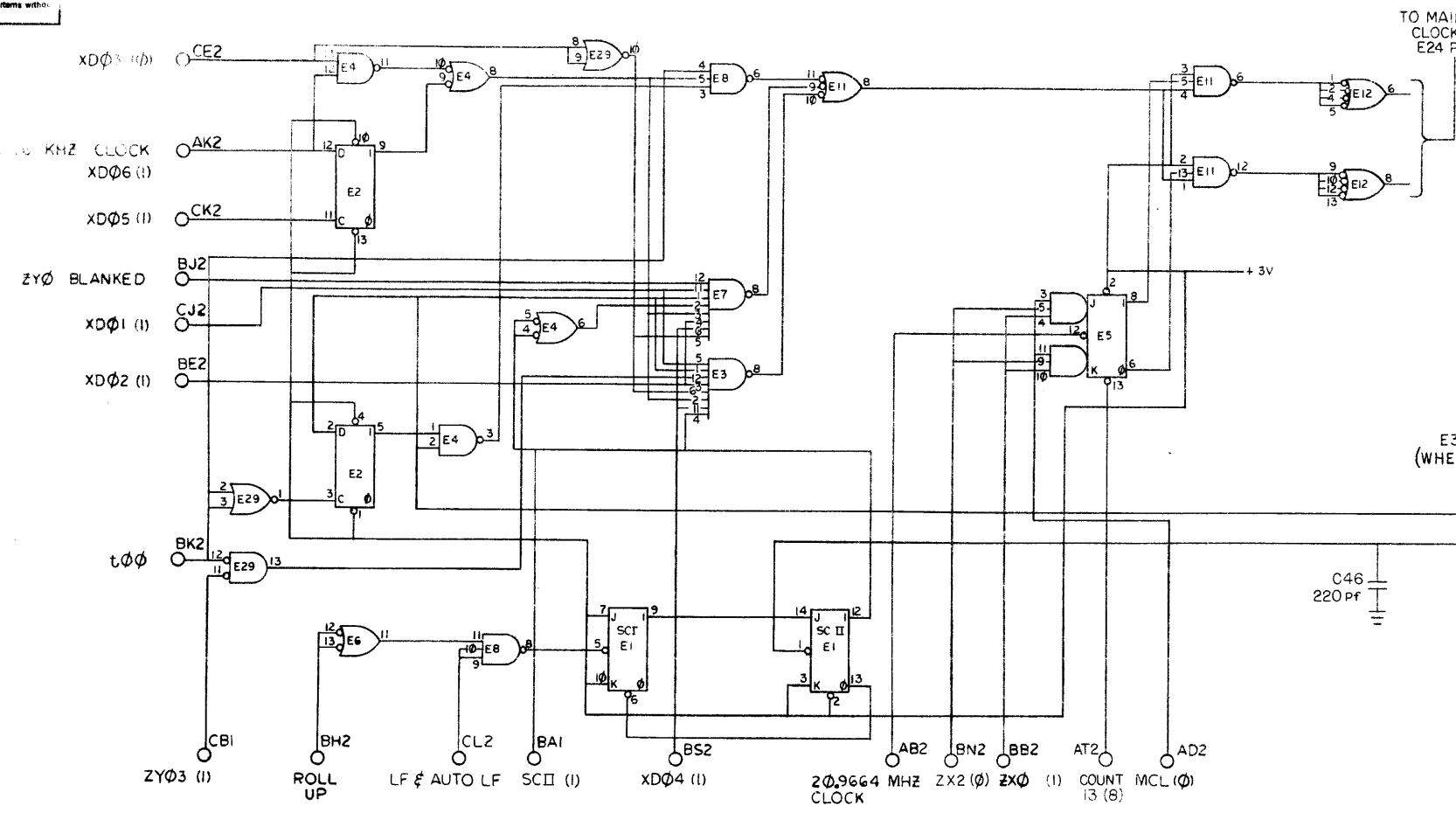


REV	CHANGE NO.	DATE
A	VT05-00056	1-22-72
B		
C		
D		

REVISIONS
 CHK: R. PUCI
 DATE: 1-22-72

FIRST USED ON OPTION / MODEL	QTY.	DESCRIPTION	PART NO.	ITEM NO.
VT05				
UNLESS OTHERWISE SPECIFIED				
DRN	DATE	PARTS LIST		
CHKD	DATE	digital EQUIPMENT CORPORATION MAYNARD, MASSACHUSETTS		
ENG	DATE	TITLE		
PROJ. ENG.	DATE	CURSOR SYNCHRONIZER (M-7001)		
PROD.	DATE	MATERIAL		
NEXT HIGHER ASSY		FINISH		
A-ML-VT05-0		SCALE		
SCALE		SHEET 1 OF 1		
SIZE CODE		NUMBER		
D/TD		VT05-0-17		
DIST.		REV. A		

The drawing and specifications, herein, are the property of Digital Equipment Corporation and shall not be reproduced or copied in whole or in part without the written permission of the manufacturer or sale of items without written permission.



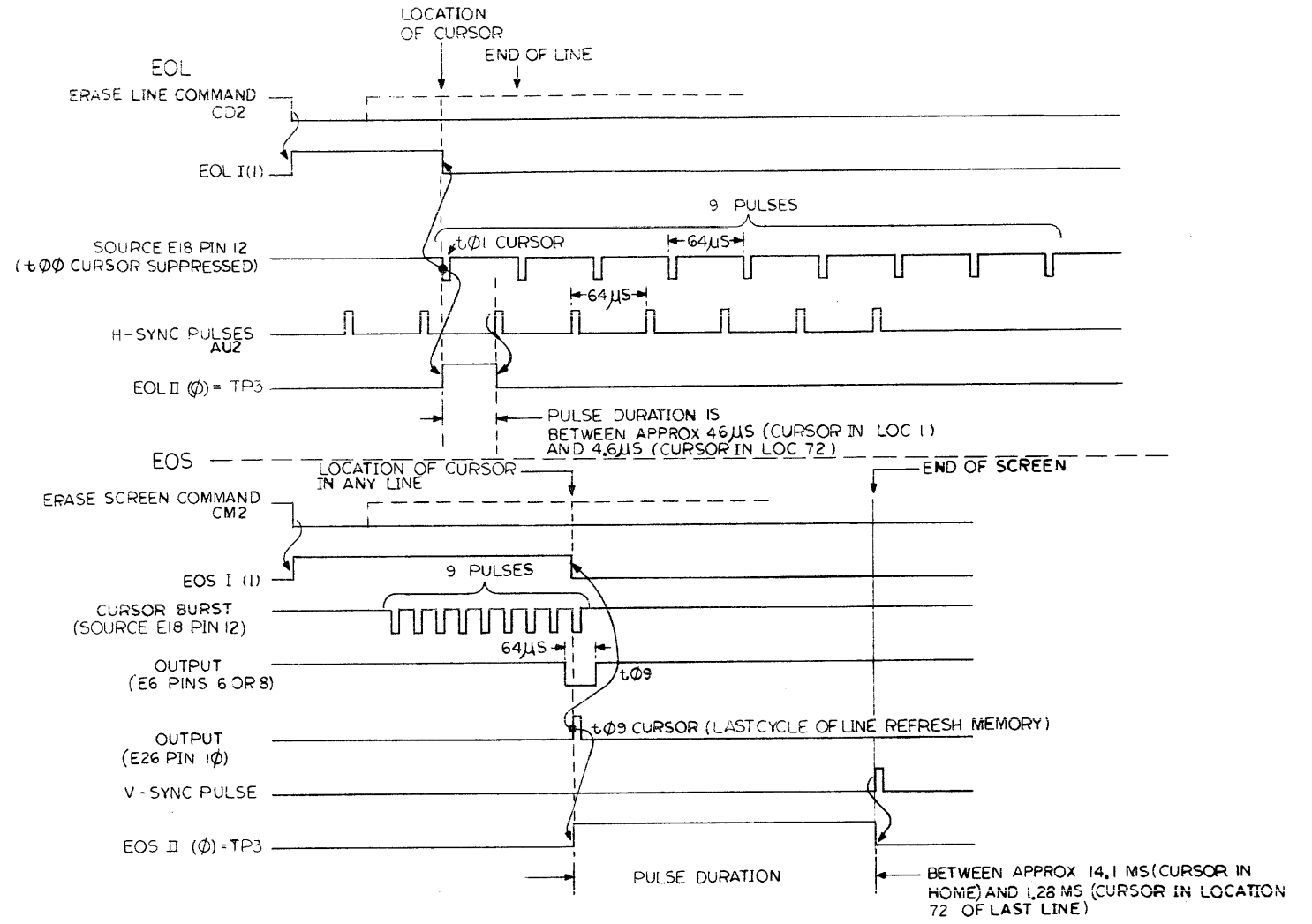
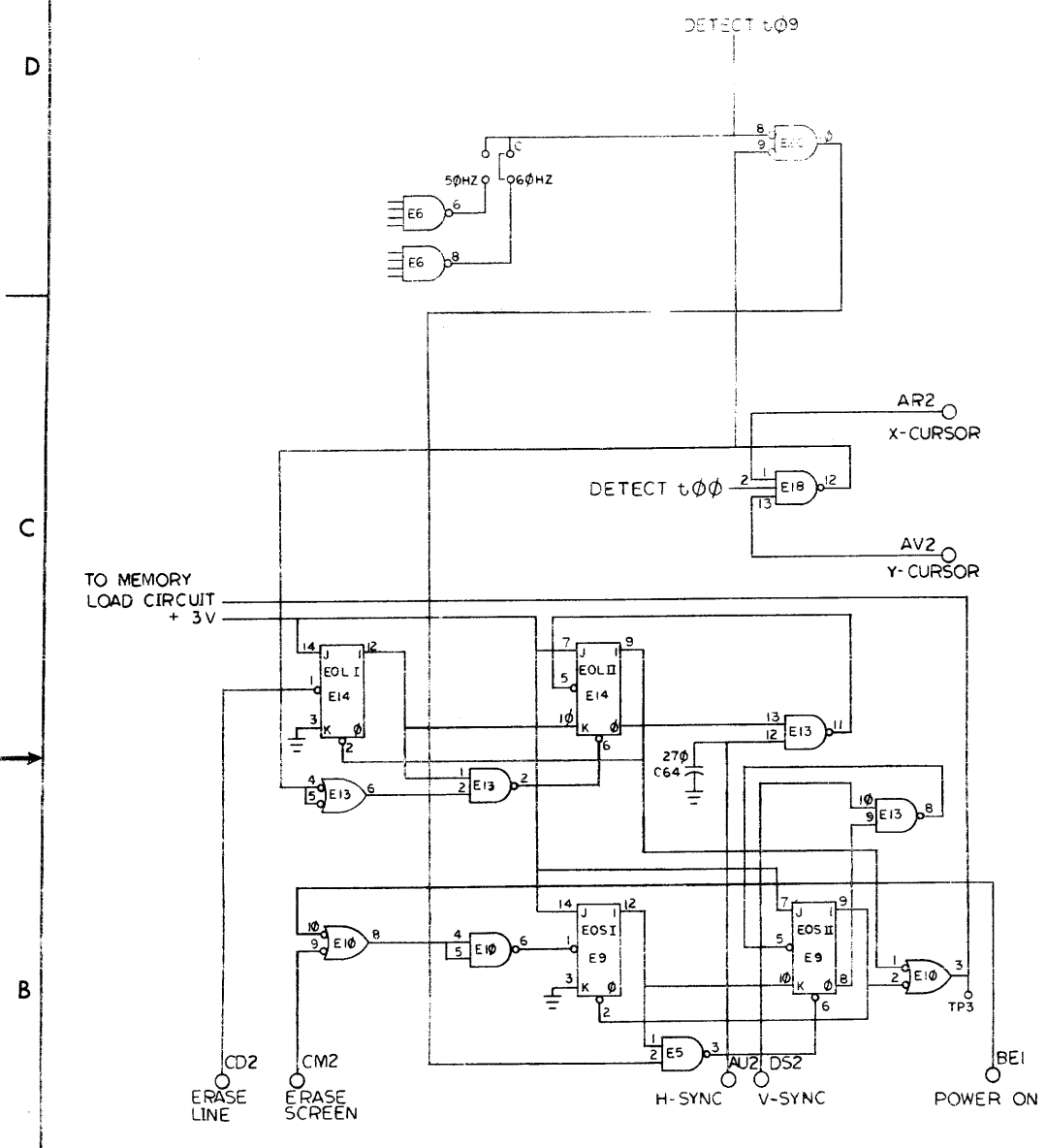
REV	NO.	DATE	BY
A	1	1/2/71	R. PUCCI

DEC FORM NO. 102A

FIRST USED ON OPTION/MODEL	QTY.	DESCRIPTION	PART NO.	ITEM NO.
VT05				
UNLESS OTHERWISE SPECIFIED				
DIMENSION IN INCHES				
TOLERANCES				
DECIMALS FRACTIONS ANGLES				
= .005 = 1/64 = 0°30'				
FINAL SURFACE QUALITY REMOVE BURRS AND BREAK SHARP CORNERS				
MATERIAL				
NEXT HIGHER ASSY				
FINISH				
SCALE		SHEET 1 OF 1		
DIST.		PARTS LIST		
TITLE		PART NO.		
DIGITAL EQUIPMENT CORPORATION		MAYNARD, MASSACHUSETTS		
MAIN MEMORY TIMING		(M-7002)		
A-ML-VT05-0		SIZE CODE		
D TD VT05-0-18		NUMBER		
REV. A		REV.		

REV. A
NUMBER
D TD VT05-0-18

This drawing and specifications, herein, are the property of Digital Equipment Corporation and shall not be reproduced or copied or used in whole or in part as the basis for the manufacture or sale of items without written permission.



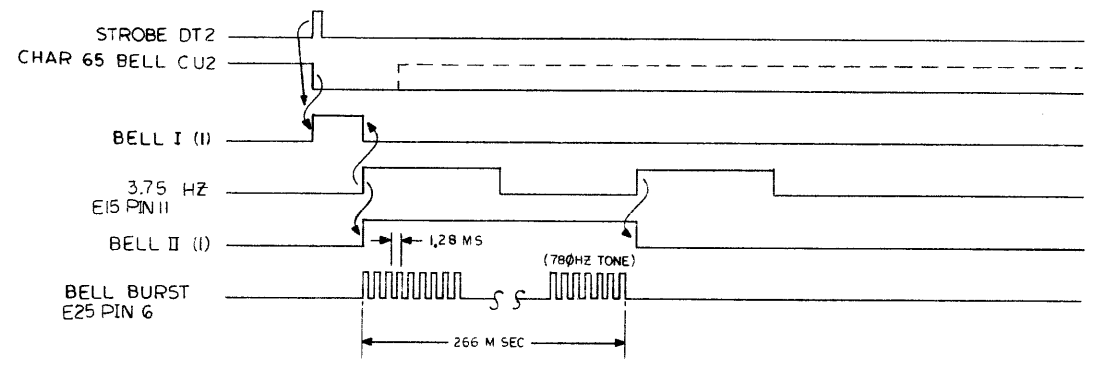
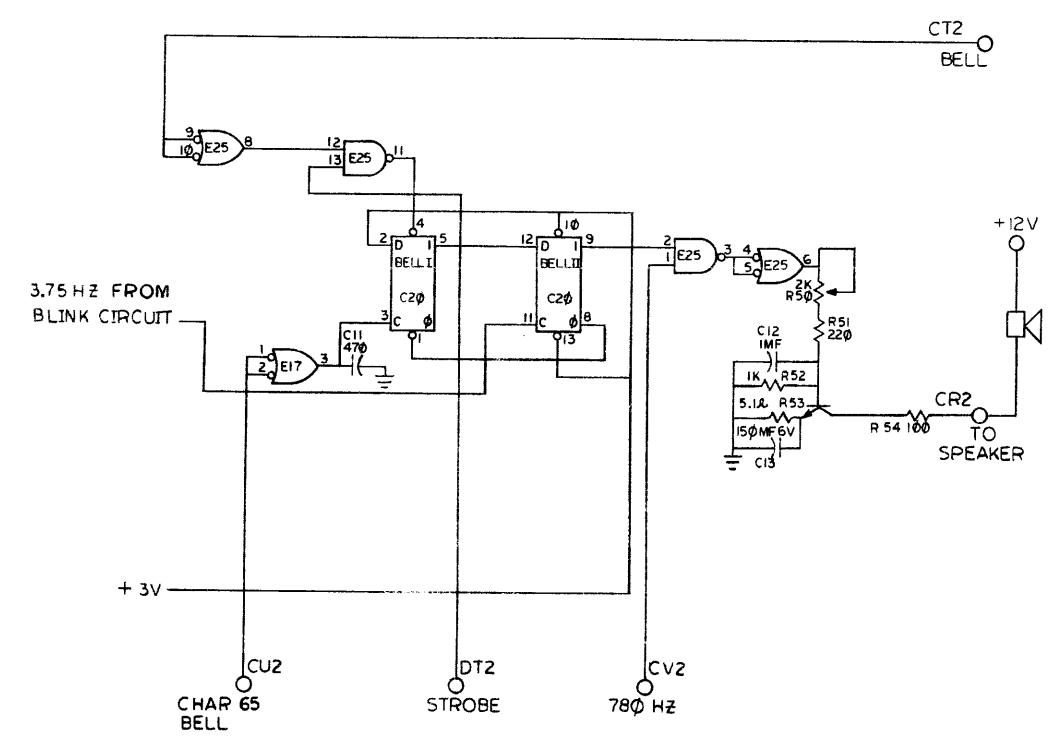
REV.	CHANGE NO.

DEC FORM NO. 102A

FIRST USED ON OPTION/MODEL: VT05	QTY.	DESCRIPTION	PART NO.	ITEM NO.
PARTS LIST				
UNLESS OTHERWISE SPECIFIED	DRN	DATE	digital CORPORATION MAYNARD MASSACHUSETTS	
UNLESS OTHERWISE SPECIFIED	CHND	DATE		
DIMENSION IN INCHES	ENG	DATE	TITLE ERASE SCREEN & ERASE LINE CIRCUIT (M-7001)	
TOLERANCES	PROJ/ENG	DATE		
DECIMALS FRACTIONS ANGLES	PROD	DATE	SIZE CODE NUMBER REV. DTD VT05-0-19	
= .005 = .005 = 0°30'				
FINAL SURFACE QUALITY REMOVE BURRS AND BREAK SHARP CORNERS			SCALE OF 1 OF 1	
MATERIAL	NEXT HIGHER ASSY		SHEET 1 OF 1	
FINISH	A-ML-VT05-0			

REV. NUMBER
DTD VT05-0-19

This drawing and specifications, herein, are the property of Digital Equipment Corporation and shall not be reproduced or copied or used in whole or in part as the basis for the manufacture or sale of items without written permission.



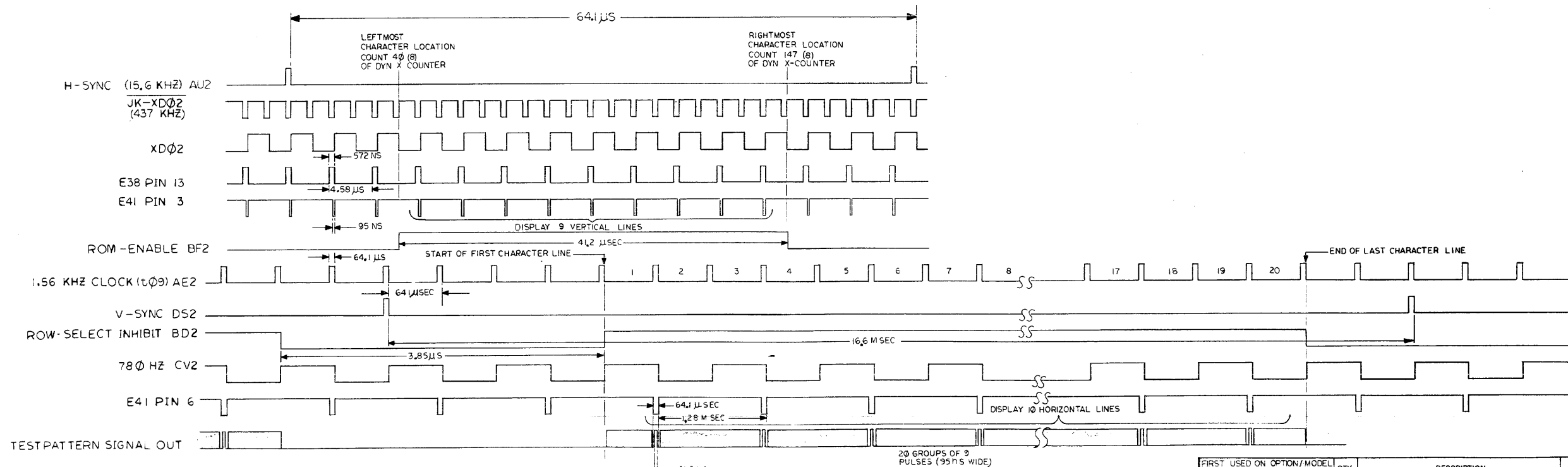
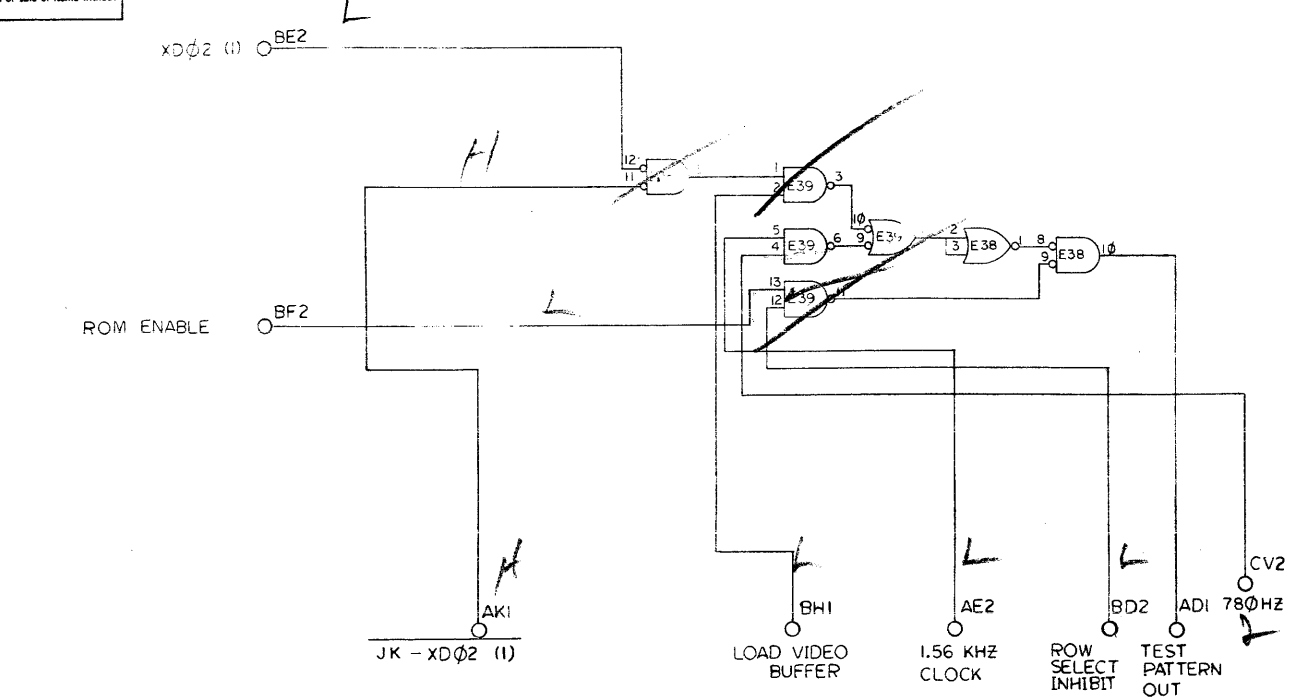
REVISIONS	REV
CHANGE NO.	
CHK	

DEC FORM NO. DRP 102A

FIRST USED ON OPTION/MODEL VT05	QTY.	DESCRIPTION	PART NO.	ITEM NO.
PARTS LIST				
UNLESS OTHERWISE SPECIFIED	DRN.	DATE	digital EQUIPMENT CORPORATION 100 MASSACHUSETTS	
UNLESS OTHERWISE SPECIFIED	CHKD.	DATE	TITLE	
DIMENSION IN INCHES	ENG.	DATE	BELL CIF JIT	
TOLERANCES	PROJ. ENG.	DATE	JIT	
DECIMALS FRACTIONS ANGLES	PROD.	DATE	(M-7001)	
± .005 ± 1/64 ± 0°30'	A-ML-VT05-0		SIZE CODE	REV.
FINAL SURFACE QUALITY / REMOVE BURRS AND BREAK SHARP CORNERS	SCALE		DITDVT05-0-20	
MATERIAL	SHEET 1 OF 1		DIST.	
FINISH				

REV. 13M 02-0-501A 11 2 1

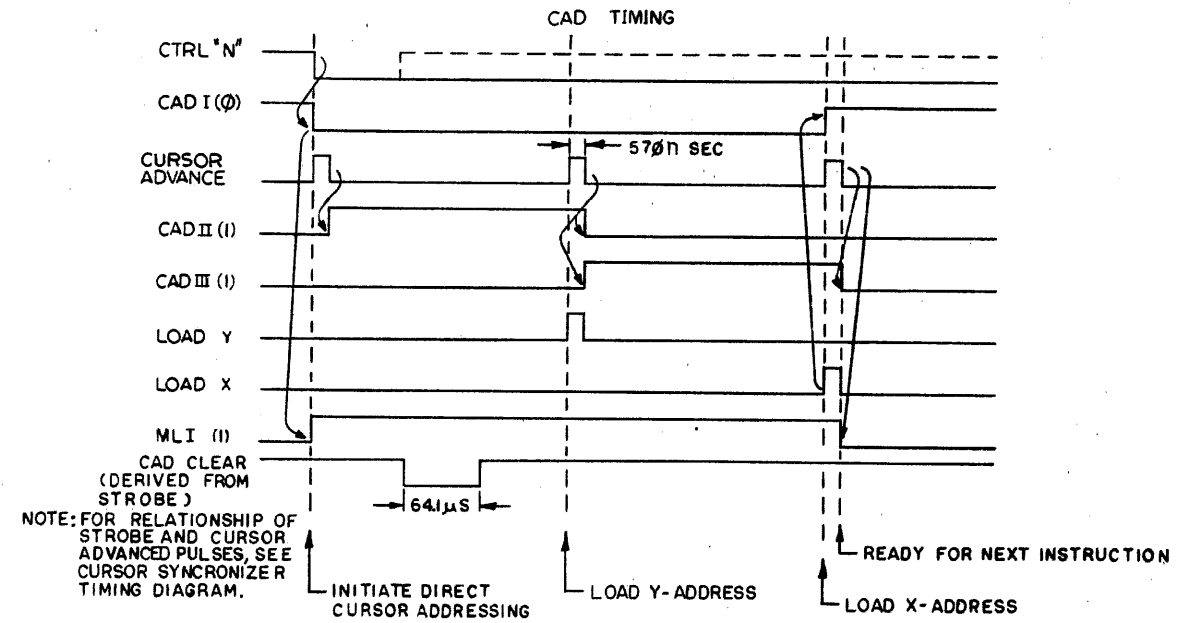
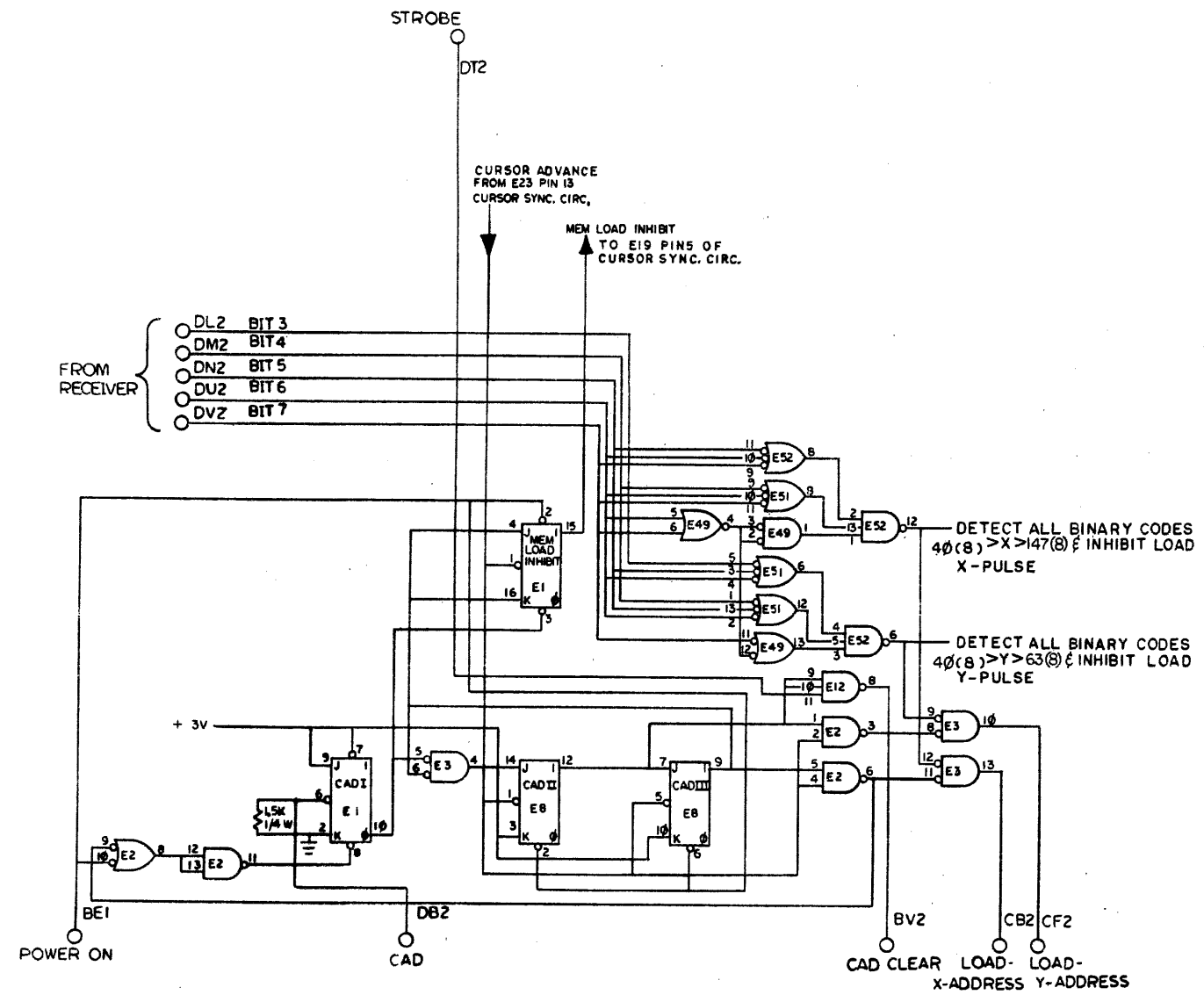
This drawing and specifications, herein, are the property of Digital Equipment Corporation and shall not be reproduced or copied or used in whole or in part as the basis for the manufacture or sale of items without written permission.



REV.	CHANGE NO.	DATE	BY	CHKD.
A	00071	1-21-71	R. PUCCI	

UNLESS OTHERWISE SPECIFIED	DRN	DATE	DESCRIPTION	PARTS LIST	PART NO.	ITEM NO.
UNLESS OTHERWISE SPECIFIED	11/18/71					
DIMENSION IN INCHES	12/17/71					
TOLERANCES	6/15/71					
DECIMALS						
FRACTIONS						
ANGLES						
± .005						
± 1/64						
± 0°30'						
FINAL SURFACE QUALITY						
REMOVE BURRS AND BREAK SHARP CORNERS						
MATERIAL						
FINISH						
NEXT HIGHER ASSY			A-ML-VT05-0			
SCALE	SHEET 1 OF 1		SIZE CODE		NUMBER	
			DITD		VT05-0-21	
			REV.		A	

This drawing and specifications, herein, are the property of Digital Equipment Corporation and shall not be reproduced or copied or used in whole or in part as the basis for the manufacture or sale of items without written permission.



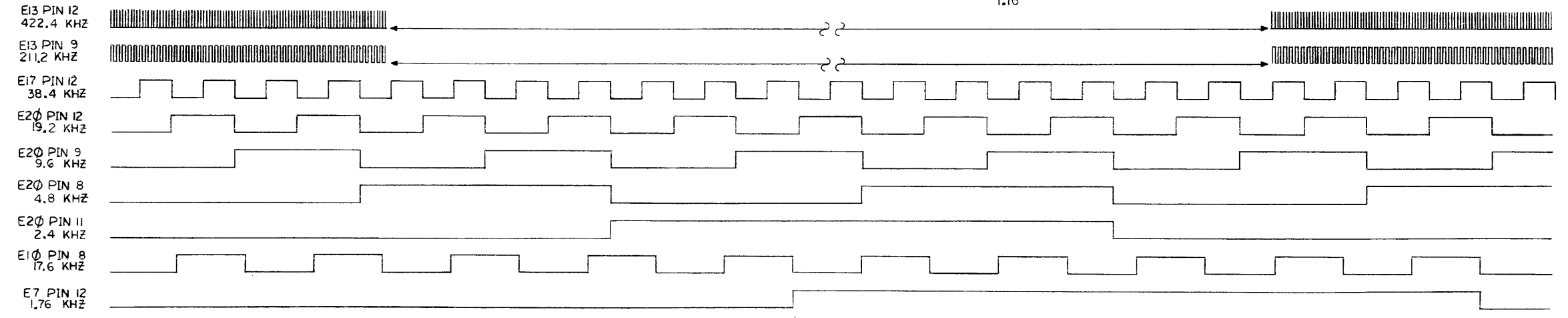
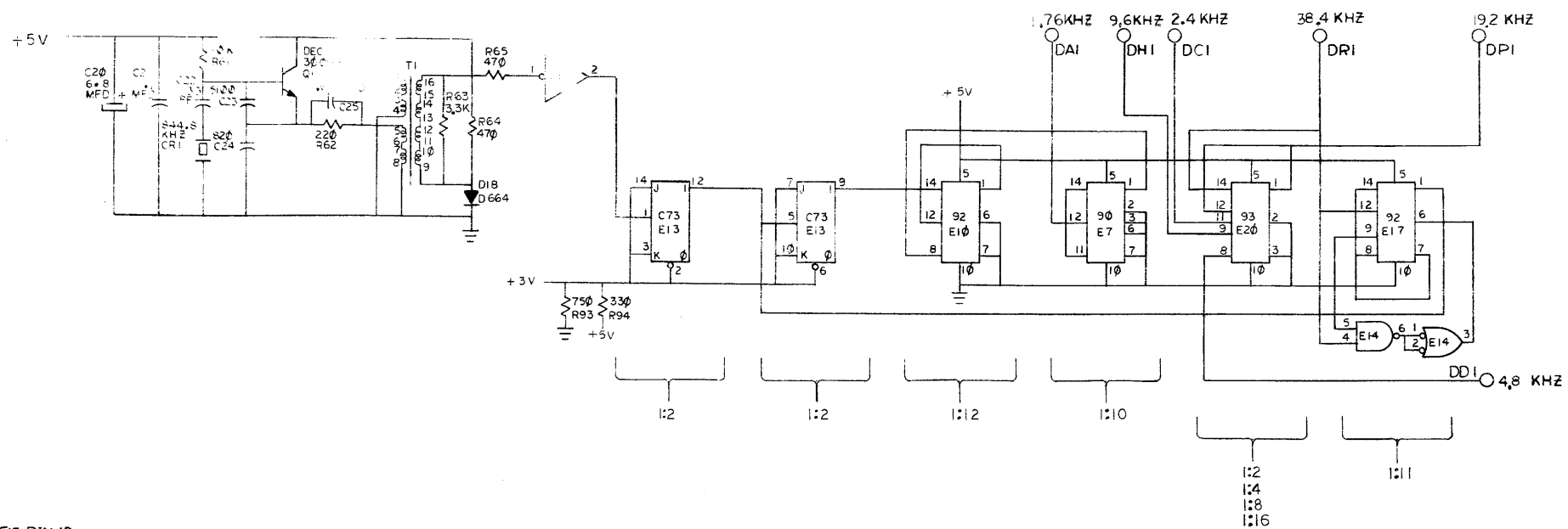
REV.	CHANGE NO.	REVISIONS

DEC FORM NO. DTD 102A

FIRST USED ON OPTION/MODEL VT05	QTY.	DESCRIPTION	PART NO.	ITEM NO.
PARTS LIST				
UNLESS OTHERWISE SPECIFIED DRN DATE 5/16/71				
UNLESS OTHERWISE SPECIFIED DIMENSION IN INCHES CHN DATE 5/16/71				
TOLERANCES				
DECIMALS FRACTIONS ANGLES				
± .005 ± 1/64 ± 0°30'				
FINAL SURFACE QUALITY				
REMOVE BURRS AND BREAK SHARP CORNERS				
MATERIAL				
NEXT HIGHER ASSY				
A-ML-VT05-0				
FINISH				
SCALE				
SHEET OF				
DST.				
TITLE			NUMBER	
CAD			(M-7001)	
SIZE/CODE			REV.	
DITD			VT05-0-22	

REV. 1
 DITD VT05-0-22

This drawing and specifications, herein, are the property of Digital Equipment Corporation and shall not be reproduced or copied or used in whole or in part as the basis for the manufacture or sale of items without written permission.

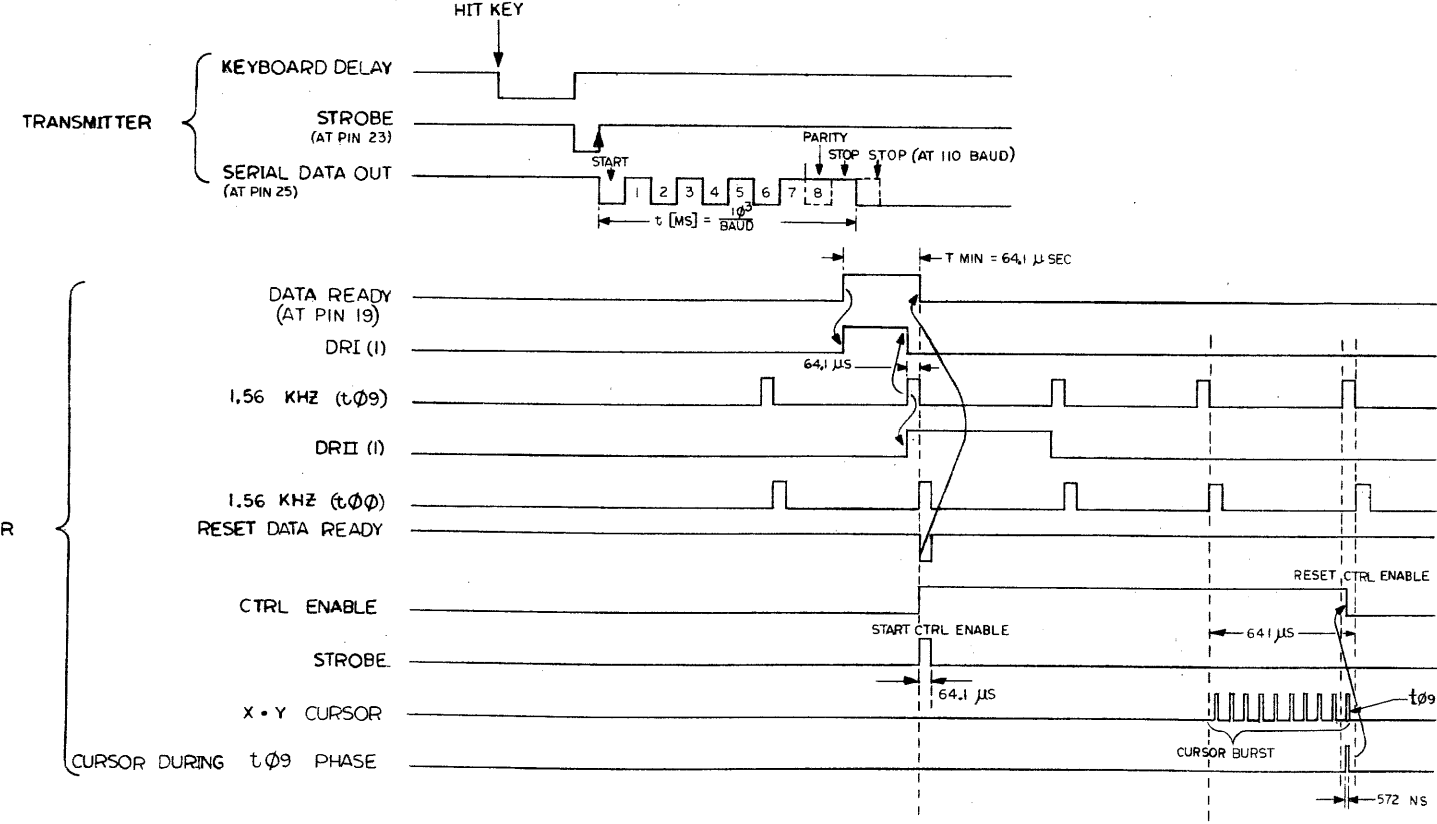
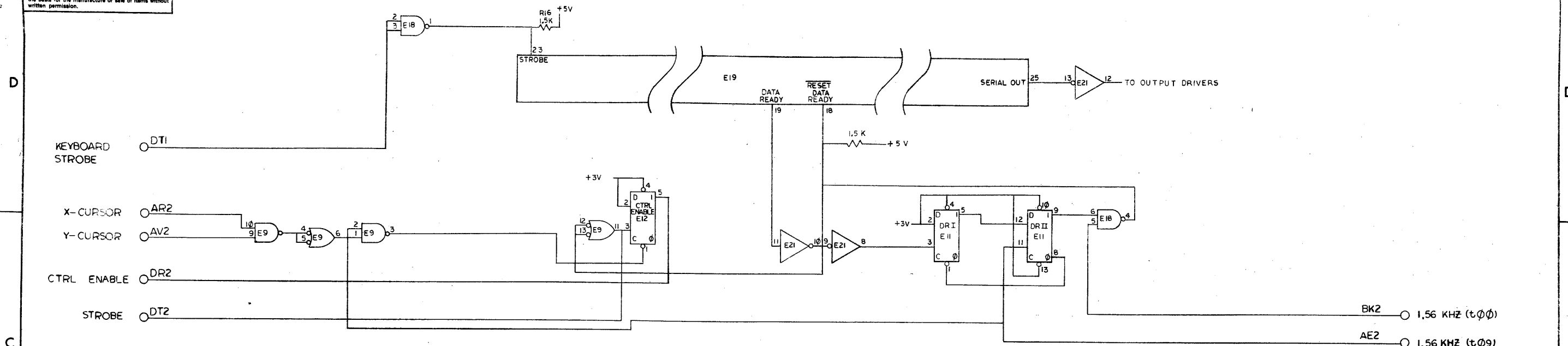


CHK	REVISIONS	CHANGE NO.	REV.
		VT05-00056	B
		R. PUCCI	
		7-28-72	

FIRST USED ON OPTION MODEL	QTY.	DESCRIPTION	PART NO.	ITEM NO.
VT05				
PARTS LIST				
UNLESS OTHERWISE SPECIFIED				
DRN	DATE	digital EQUIPMENT CORPORATION MAYNARD, MASSACHUSETTS		
CHWD	DATE	TITLE		
ENG	DATE	BAUD RATE GENERATOR		
PROJ. ENG.	DATE	NUMBER (M-7003)		
PROJ. MGR.	DATE	SCALE		
MATERIAL		NEXT HIGHER ASSY		REV.
++		A-ML:VT05-0		A
FINISH		SHEET		DIST.
++		OF 1		

REV. A
VT05A-0-01

This drawing and specifications, herein, are the property of Digital Equipment Corporation and shall not be reproduced or copied or used in whole or in part as the basis for the manufacture or sale of items without written permission.



REV	CHG	NO.	DATE
A		1	7-28-72
		2	7-28-72

DEC FORM 100
DRP 102A

FIRST USED ON OPTION / MODEL	QTY.	DESCRIPTION	PART NO.	ITEM NO.
VT05				
PARTS LIST				
UNLESS OTHERWISE SPECIFIED	DRY	DATE 5/13/71	digital EQUIPMENT CORPORATION MAYNARD, MASSACHUSETTS	
UNLESS OTHERWISE SPECIFIED	CHRY	DATE 7/14/71		
TOLERANCES				
DECIMALS	FRACTIONS	ANGLES	TITLE	
± .005	± 1/64	± 0°30'	TRANSMITTER & RECEIVER TIMING	
FINAL SURFACE QUALITY / REMOVE BLURS AND BREAK SHARP CORNERS				
MATERIAL	NEXT HIGHER ASSY	DATE	SCALE	
++	A-ML-VT05-0	DATE	SIZE CODE NUMBER REV.	
FINISH	SCALE	DATE	DITD VT05A-0-02 A	
++	SHEET 1 OF 1	DATE	DIST.	

REV. A
NUMBER
VT05A-0-02

B

A

This drawing and specifications, herein, are the property of Digital Equipment Corporation and shall not be reproduced or copied or used in whole or in part as the basis for the manufacture or sale of items without written permission.

MODEL NUMBER	DESCRIPTION	VARIATION
VT05B-AA	NO PARITY: HALF ASCII KEYBOARD 115V; 60HZ	
VT05B-AB	NO PARITY: HALF ASCII-KEYBOARD 230V; 60HZ	AC BREAKER TO BE 1 AMP; JUMPER PINS 1 & 3 ON J2 OF H733 POWER SUPPLY ; ON TERMINAL STRIP OF SCOPE ASSY JUMPER TERMINALS 1 TO 2 AND 3 TO 4, CHG AC CORD
VT05B-AC	NO PARITY: HALF ASCII-KEYBOARD 115V; 50HZ	ON M7001 ADD JUMPER W4 & W6 AND DELETE W5 & W7; ADD A 330PF DM CAP (SEE NOTES) <i>INSERT W/6 + DELETE W/5 ON M7004</i>
VT05B-AD	NO PARITY: HALF ASCII-KEYBOARD 230V; 50HZ	ADD A 330PF DM CAP ON M7001 (SEE NOTES) <i>INSERT W/6 & DELETE W/5 ON M7004</i> AC BREAKER TO BE 1 AMP; JUMPER PINS 1 & 3 ON J2 OF H733 POWER SUPPLY; ON M7001 ADD JUMPERS W4 & W6 AND DELETE W5 & W7; ON TERMINAL STRIP OF SCOPE ASSY JUMPER TERMINALS 1 TO 2 AND 3 TO 4
VT05B-BA	NO PARITY: FULL ASCII-KEYBOARD 115V; 60HZ	SET SLIDE SWITCH ON KEYBOARD TO "128"
VT05B-BB	NO PARITY; FULL ASCII-KEYBOARD 230V; 60HZ	SET SLIDE SWITCH ON KEYBOARD TO "128" JUMPER PINS 1 & 3 ON J2 OF H733 POWER SUPPLY ON TERMINAL STRIP OF SCOPE ASSY JUMPER TERMINALS 1 TO 2 AND 3 TO 4. AC BREAKER TO BE 1 AMP CHG AC CORD
VT05B-BC	NO PARITY; FULL ASCII-KEYBOARD 115V; 50HZ	SET SLIDE SWITCH ON KEYBOARD TO "128". ON M7001 ADD JUMPERS W4 & W6 AND DELETE W5 & W7, AND ADD A 330PF DM CAP (SEE NOTE) <i>INSERT W/6 & DELETE W/5 ON M7004</i>
VT05B-BD	NO PARITY; FULL ASCII-KEYBOARD 230V; 50HZ	SET SLIDE SWITCH ON KEYBOARD TO "128"; AC BREAKER TO BE 1 AMP; JUMPER PINS 1 & 3 ON J2 OF H733 POWER SUPPLY; ON M7001 ADD JUMPERS W4 & W6 AND DELETE W5 & W7; ON TERMINAL STRIP OF SCOPE ASSY JUMPER TERMINALS 1 TO 2 AND 3 TO 4 CHG AC CORD <i>ADD A 330 PF DM CAP (SEE NOTES)</i>
VT05B-CA	WITH PARITY; HALF ASCII-KEYBOARD 115V; 60HZ	ON M7004 ADD JUMPER W10 & DELETE W9
VT05B-CB	WITH PARITY; HALF ASCII-KEYBOARD 230V; 60HZ	ON M7004 ADD JUMPER W10 & DELETE W9, AC BREAKER TO BE 1 AMP; JUMPER PINS 1 & 3 ON J2 OF H733 POWER SUPPLY. ON TERMINAL STRIP OF SCOPE ASSY JUMPER TERMINALS 1 TO 2 AND 3 TO 4, CHG AC CORD
VT05B-CC	WITH PARITY; HALF ASCII-KEYBOARD 115V; 50HZ	ON M7004 ADD JUMPER W10 & DELETE W9. ON M7001 ADD JUMPERS W4 & W6 AND DELETE W5 & W7 AND ADD A 330PF DM CAP <i>INSERT W/6 & DELETE W/5 ON THE M7004</i> (SEE NOTES)
VT05B-CD	WITH PARITY; HALF ASCII-KEYBOARD 230V; 50HZ	ON M7004 ADD JUMPER W10 & DELETE W9; AC BREAKER TO BE 1 AMP; JUMPER PINS 1 & 3 ON J2 OF H733 POWER SUPPLY; ON M7001 ADD JUMPERS W4 & W6 DELETE W5 & W7, ON TERMINAL STRIP OF SCOPE ASSY JUMPER TERMINALS 1 TO 2 AND 3 TO 4. CHG AC CORD. ON M7001 ADD A 330PF DM CAP (SEE NOTES) <i>INSERT W/6, DELETE W/5 ON M7004</i>
VT05B-DA	WITH PARITY; FULL ASCII-KEYBOARD 115V; 60HZ	ON M7004 ADD JUMPER W10 & DELETE W9; SET SWITCH ON KEYBOARD TO "128"
VT05B-DB	WITH PARITY; FULL ASCII-KEYBOARD 230V; 60HZ	ON M7004 ADD JUMPER W10 & DELETE W9; SET SLIDE SWITCH ON KEYBOARD TO "128" AC BREAKER TO BE 1 AMP JUMPER PINS 1 & 3 ON J2 OF H733 POWER SUPPLY; ON TERMINAL STRIP OF SCOPE ASSY JUMPER TERMINALS 1 TO 2 AND 3 TO 4. CHG AC CORD
VT05B-DC	WITH PARITY; FULL ASCII-KEYBOARD 115V; 50HZ	ON M7004 ADD JUMPER W10 & DELETE W9; SET SLIDE SWITCH ON KEYBOARD TO "128"; ON M7001 ADD JUMPERS W4 & W6 AND DELETE W5 & W7, AND ADD A 330PF DM CAP (SEE NOTES) <i>INSERT W/6 DELETE W/5 ON M7004</i>
VT05B-DD	WITH PARITY; FULL ASCII-KEYBOARD 230V; 50HZ	ON M7004 ADD JUMPER W10 & DELETE W9; SET SLIDE SWITCH ON KEYBOARD TO "128"; AC BREAKER TO BE 1 AMP; JUMPER PINS 1 & 3 ON J2 OF H733 POWER SUPPLY; ON M7001 ADD JUMPERS W4 & W6 & DELETE W5 & W7; ON TERMINAL STRIP OF SCOPE ASSY JUMPER TERMINAL 1 TO 2, AND 3 TO 4 CHG AC CORD <i>ON M7001 ADD A 330PF DM CAP (SEE NOTES) INSERT W/6 & DELETE W/5 ON M7004</i>

- NOTES:
- FOR PICTORIAL REPRESENTATION SEE DWG #D-UA-VT05-0-0
 - THE 330 PF DM CAP (1000023) IS INSERTED ON ETCH REVS. E AND OLDER ONE SIDE GOES INTO A FEED THRU (E11 PIN 7) AND THE OTHER TO A FEED THRU WHICH IS COMMON TO (E7 PIN 1, 2, 4, 5) AND (E6 PIN 6)
 - WHEN CONVERTING FROM 50 TO 60 HZ REMOVE THE 330PF CAP WHICH IS OUTLINED IN NOTE 2 ABOVE, ALSO REMOVE ECO SHOW IN NOTE 5
 - NOTES 2 & 3 ONLY APPLY TO BOARDS PREVIOUS TO REV J.
 - USE ECO #M7004-00004.
 - ONLY PENNSYLVANIA SCOPES HAVE THE TERMINAL STRIPS. MOTOROLA HAS A SLIDE SWITCH ON THE RIGHT SIDE PANEL, ABOVE THE CONNECTORS.

REV.	CHG. NO.	REV.
A	VT05-00057	
B		
C		
D		
E		
F		
G		
H		
I		
J		

BRUNING 40-107 15968

REVISIONS

CHK LG

DATE 8-10-72

DATE 9-20-73

DATE 10-5-73

PUCCI

R. PUCCI

R. PUCCI

FIRST USED ON OPTION/MODEL	QTY.	DESCRIPTION	PART NO.	ITEM NO.
VT05				
PARTS LIST				
UNLESS OTHERWISE SPECIFIED DIMENSION IN INCHES. TOLERANCES		DRN. DATE 5-17-72	digital EQUIPMENT CORPORATION MAYNARD, MASSACHUSETTS	
DECIMALS	ANGLES	CHK'D DATE 5-19-72	TITLE	
.XXX = .005	±0° 30'	ENG. DATE 5/22/72	VT05B	
.XX = .02		PROJ. ENG. DATE 5/23/72	UNIT ASSEMBLY	
.X = .1		PROD. DATE 6-5-72		
REMOVE BURRS AND BREAK SHARP CORNERS SURFACE QUALITY ✓				
MATERIAL	NEXT HIGHER ASSY.			
FINISH	A-ML-VT05-0			
	SCALE NONE	SIZE CODE	NUMBER	REV.
	SHEET 1 OF 1	CUA	VT05B-00-00	B
		DIST. G		

REV. B
NUMBER CUA VT05B-00-00
SIZE CODE B

This drawing and specifications, herein, are the property of Digital Equipment Corporation and shall not be reproduced or copied or used in whole or in part as the basis for the manufacture or sale of items without written permission.

MODEL NUMBER	DESCRIPTION	VARIATION
VT05A-AA	NO PARITY; HALF ASC11-KEYBOARD 115V; 60HZ	
VT05A-AB	NO PARITY; HALF ASC11-KEYBOARD 230V; 60HZ	AC BREAKER TO BE 1 AMP; JUMPER PINS 1 & 3 ON J2 OF H733 POWER SUPPLY; ON TERMINAL STRIP OF SCOPE ASSY JUMPER TERMINALS 1 TO 2 AND 3 TO 4, CHG AC CORD
VT05A-AC	NO PARITY; HALF ASC11-KEYBOARD 115V; 50HZ	ON M7001 ADD JUMPER W4 & W6 AND DELETE W5 & W7; ADD A 330PF DM CAP (SEE NOTES 2 & 3)
VT05A-AD	NO PARITY; HALF ASC11-KEYBOARD 230V; 50HZ	ADD A 330PF DM CAP ON M7001 (SEE NOTES 2 & 3) AC BREAKER TO BE 1 AMP; JUMPER PINS 1 & 3 ON J2 OF H733 POWER SUPPLY; ON M7001 ADD JUMPERS W4 & W6 AND DELETE W5 & W7; ON TERMINAL STRIP OF SCOPE ASSY JUMPER TERMINALS 1 TO 2 AND 2 TO 3, CHG AC CORD
VT05A-BA	NO PARITY; FULL ASC11-KEYBOARD 115V; 60HZ	SET SLIDE SWITCH ON KEYBOARD TO "128"
VT05A-BB	NO PARITY; FULL ASC11-KEYBOARD 230V; 60HZ	SET SLIDE SWITCH ON KEYBOARD TO "128"; JUMPER PINS 1 & 3 ON J2 OF H733 POWER SUPPLY; ON TERMINAL STRIP OF SCOPE ASSY JUMPER TERMINALS 1 TO 2 AND 3 TO 4, AC BREAKER TO BE 1 AMP, CHG AC CORD
VT05A-BC	NO PARITY; FULL ASC11-KEYBOARD 115V; 50HZ	SET SLIDE SWITCH ON KEYBOARD TO "128"; ON M7001 ADD JUMPERS W4 & W6 AND DELETE W5 & W7, AND ADD A 330PF DM CAP. (SEE NOTES 2 & 3)
VT05A-BD	NO PARITY; FULL ASC11-KEYBOARD 230V; 50HZ	SET SLIDE SWITCH ON KEYBOARD TO "128"; AC BREAKER TO BE 1 AMP; JUMPER PINS 1 & 3 ON J2 OF H733 POWER SUPPLY; ON M7001 ADD JUMPERS W4 & W6 AND DELETE W5 & W7; ON TERMINAL STRIP OF SCOPE ASSY JUMPER TERMINALS 1 TO 2 AND 3 TO 4, CHG AC CORD
VT05A-CA	WITH PARITY; HALF ASC11-KEYBOARD 115V; 60HZ	ON M7003 ADD JUMPER W3 & DELETE W2
VT05A-CB	WITH PARITY; HALF ASC11-KEYBOARD 230V; 60HZ	ON M7003 ADD JUMPER W3 & DELETE W2; AC BREAKER TO BE 1 AMP; JUMPER PINS 1 & 3 ON J2 OF H733 POWER SUPPLY. ON TERMINAL STRIP OF SCOPE ASSY JUMPER TERMINALS 1 TO 2 AND 3 TO 4, CHG AC CORD
VT05A-CC	WITH PARITY; HALF ASC11-KEYBOARD 115V; 50HZ	ON M7003 ADD JUMPER W3 & DELETE W2; ON M7001 ADD JUMPERS W4 & W6 AND DELETE W5 & W7 AND ADD A 330PF DM CAP (SEE NOTES 2 & 3)
VT05A-CD	WITH PARITY HALF ASC11-KEYBOARD 230V; 50HZ	ON M7003 ADD JUMPER W3 & DELETE W2; AC BREAKER TO BE 1 AMP; JUMPER PINS 1 & 3 ON J2 OF H733 POWER SUPPLY; ON M7001 ADD JUMPERS W4 & W6 DELETE W5 & W7. ON TERMINAL STRIP OF SCOPE ASSY JUMPER TERMINALS 1 TO 2 AND 3 TO 4, CHG AC CORD. ON M7001 ADD A 330PF DM CAP (SEE NOTES 2 & 3)
VT05A-DA	WITH PARITY; FULL ASC11-KEYBOARD 115V; 60HZ	ON M7003 ADD JUMPER W3 & DELETE W2; SET SWITCH ON KEYBOARD TO "128"
VT05A-DB	WITH PARITY; FULL ASC11-KEYBOARD 230V; 60HZ	ON M7003 ADD JUMPER W3 & DELETE W2; SET SLIDE SWITCH ON KEYBOARD TO "128". AC BREAKER TO BE 1 AMP. JUMPER PINS 1 & 3 ON J2 OF H733 POWER SUPPLY; ON TERMINAL STRIP OF SCOPE ASSY JUMPER TERMINALS 1 TO 2 AND 3 TO 4, CHG AC CORD
VT05A-DC	WITH PARITY; FULL ASC11-KEYBOARD 115V; 50HZ	ON M7003 ADD JUMPER W3 & DELETE W2; SET SLIDE SWITCH ON KEYBOARD TO "128"; ON M7001 ADD JUMPERS W4 & W6 AND DELETE W5 & W7, AND ADD A 330PF DM CAP (SEE NOTES 2 & 3)
VT05A-DD	WITH PARITY; FULL ASC11-KEYBOARD 230V; 50HZ	ON M7003 ADD JUMPER W3 & DELETE W2; SET SLIDE SWITCH ON KEYBOARD TO "128"; AC BREAKER TO BE 1 AMP; JUMPER PINS 1 & 3 ON J2 OF H733 POWER SUPPLY; ON M7001 ADD JUMPERS W4 & W6 & DELETE W5 & W7; ON TERMINAL STRIP OF SCOPE ASSY JUMPER TERMINAL 1 TO 2, AND 3 TO 4, CHG AC CORD. ON M7001 ADD A 33PF DM CAP (SEE NOTES 2 & 3)

NOTE: 1. FOR PICTORIAL REPRESENTATION SEE DWG D-UA-VT05-00
 2. THE 330 PF DM CAP (1000023) IS INSERTED AS FOLLOWS
 ONE SIDE GOES INTO A FEED THRU (E11 PIN 7) AND THE OTHER TO A FEED THRU WHICH IS COMMON TO (E7 PIN 1, 2, 4, 5) AND (E6 PIN 6).
 3. WHEN CONVERTING FROM 50 TO 60 HZ REMOVE THE 330PF CAP WHICH IS OUTFINED IN NOTE 2 ABOVE.
 4. NOTES 2 & 3 ONLY APPLY TO BOARDS PREVIOUS TO REV. J

REV.	CHANGE NO.	DATE	BY
A	00041	11-16-71	R. PUCCI
B	00056	11-22-71	R. PUCCI
C	00072	7-22-72	R. PUCCI
D	00082	7-25-72	R. PUCCI

FIRST USED ON OPTION/MODEL	QTY.	DESCRIPTION	PART NO.	ITEM NO.
VT05		PARTS LIST		
UNLESS OTHERWISE SPECIFIED DIMENSION IN INCHES. TOLERANCES	DRN <i>S. Pucci</i>	DATE 4-21-71	EQUIPMENT CORPORATION MAYNARD, MASSACHUSETTS	
DECIMALS	CHK'D <i>R. Pucci</i>	DATE 5-6-71	TITLE VT05A UNIT ASSEMBLY	
ANGLES	ENG <i>R. Pucci</i>	DATE 5-14-71		
.XXX - .005	PROJ. ENG <i>R. Pucci</i>	DATE 5/13/71		
.XX - .02	PROD. <i>R. Pucci</i>	DATE 5/13/71		
.X - .1				
REMOVE BURRS AND BREAK SHARP CORNERS SURFACE QUALITY				
MATERIAL		NEXT HIGHER ASSY.	SIZE CODE	NUMBER
			C	UA VT05A-00-00
FINISH		SCALE NONE		REV. B
		SHEET OF	DIST.	

DIGITAL EQUIPMENT CORPORATION
MAYNARD, MASSACHUSETTS

PARTS LIST

MADE BY P. MARCOTTE
 DATE 4/22/71
 ENG *K. S. V. W.*
 DATE 5/13/71
 CHECKED *R. Cook*
 DATE 5-6-71
 PROD *R. Bernardy*
 DATE 5/14/71
 SECTION 1
 ISSUED SECT. 2

ITEM NO.	DWG NO. / PART NO.	DESCRIPTION	SECTION
	D-UA-VT05-0-0	ALPHA NUMERAL TERMINAL	
	E-CS-M7003-0-1	INTERFACE (VT05)	
	A-PL-7008428-0-0	230V CONVERSION KIT	

QUANTITY / VARIATION

	VT05A-AA	VT05A-AB	VT05A-AC	VT05A-AD	VT05A-BA	VT05A-BB	VT05A-BC	VT05A-BD	VT05A-CA	VT05A-CB	VT05A-CC	VT05A-CD
	1	1	1	1	1	1	1	1	1	1	1	1
	1	1	1	1	1	1	1	1	1	1	1	1
	-	1	-	1	-	1	-	1	-	1	-	-

TITLE VT05A UNIT ASSEMBLY
 ASSY NO. C-UA-VT05A-00-00
 SIZE CODE **A PL**
 NUMBER VT05A-00-00
 REV. B
 ECO NO. VT05-00056
 SHEET 1 OF 2
 DIST. C

DIGITAL EQUIPMENT CORPORATION
MAYNARD, MASSACHUSETTS

PARTS LIST

MADE BY P. MARCOTTE
 DATE 4/22/71
 ENG *K. S. V. W.*
 DATE 5/13/71
 CHECKED *R. Cook*
 DATE 5-6-71
 PROD *R. Bernardy*
 DATE 5/14/71
 SECTION 2
 ISSUED SECT. 2

ITEM NO.	DWG NO. / PART NO.	DESCRIPTION	SECTION
	D-UA-VT05-0-0	ALPHA NUMERIC TERMINAL	
	E-CS-M7003-0-1	INTERFACE (VT05)	
	A-PL-7008428-0-0	230V CONVERSION KIT	

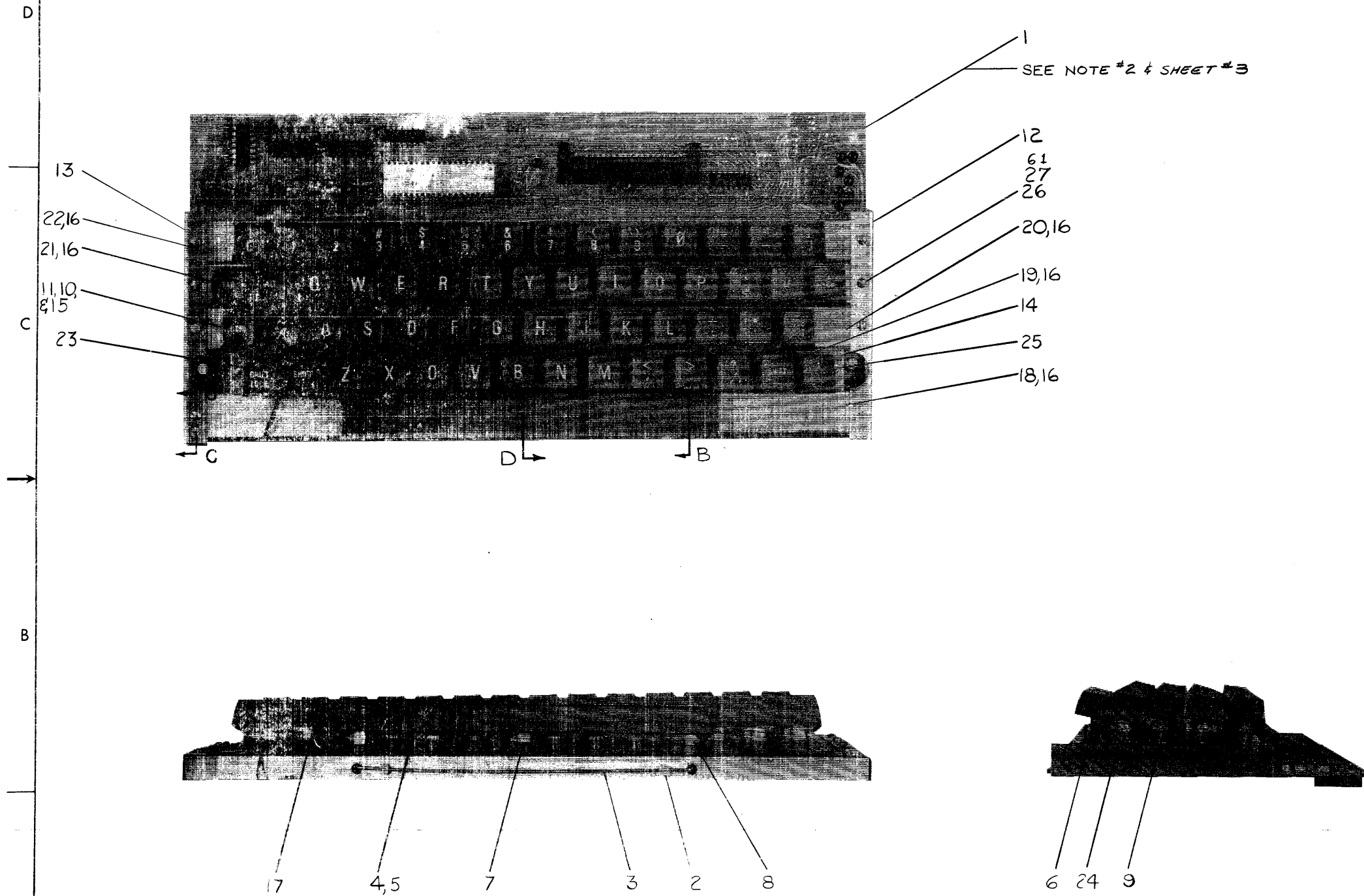
QUANTITY / VARIATION

	VT05A-DA	VT05A-DB	VT05A-DC	VT05A-DD
	1	1	1	1
	1	1	1	1
	-	1	-	1

TITLE VT05A UNIT ASSEMBLY
 ASSY NO. C-UA-VT05A-00-00
 SIZE CODE **A PL**
 NUMBER VT05A-00-00
 REV. B
 ECO NO.
 SHEET 2 OF 2
 DIST. C

This drawing and specifications, herein, are the property of Digital Equipment Corporation and shall not be reproduced or copied or used in whole or in part as the basis for the manufacture or sale of items without written permission.

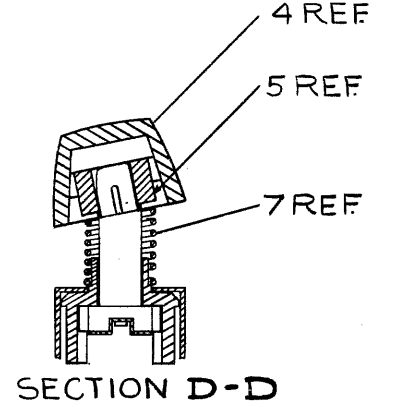
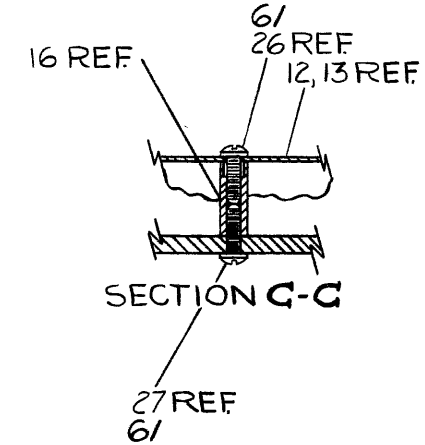
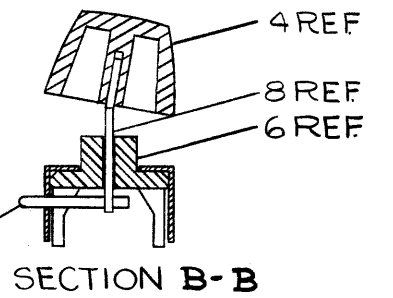
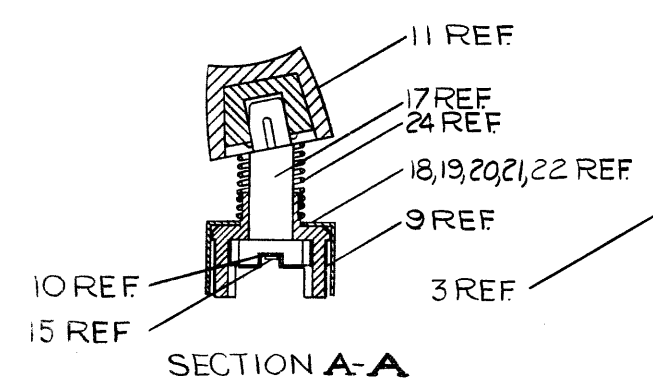
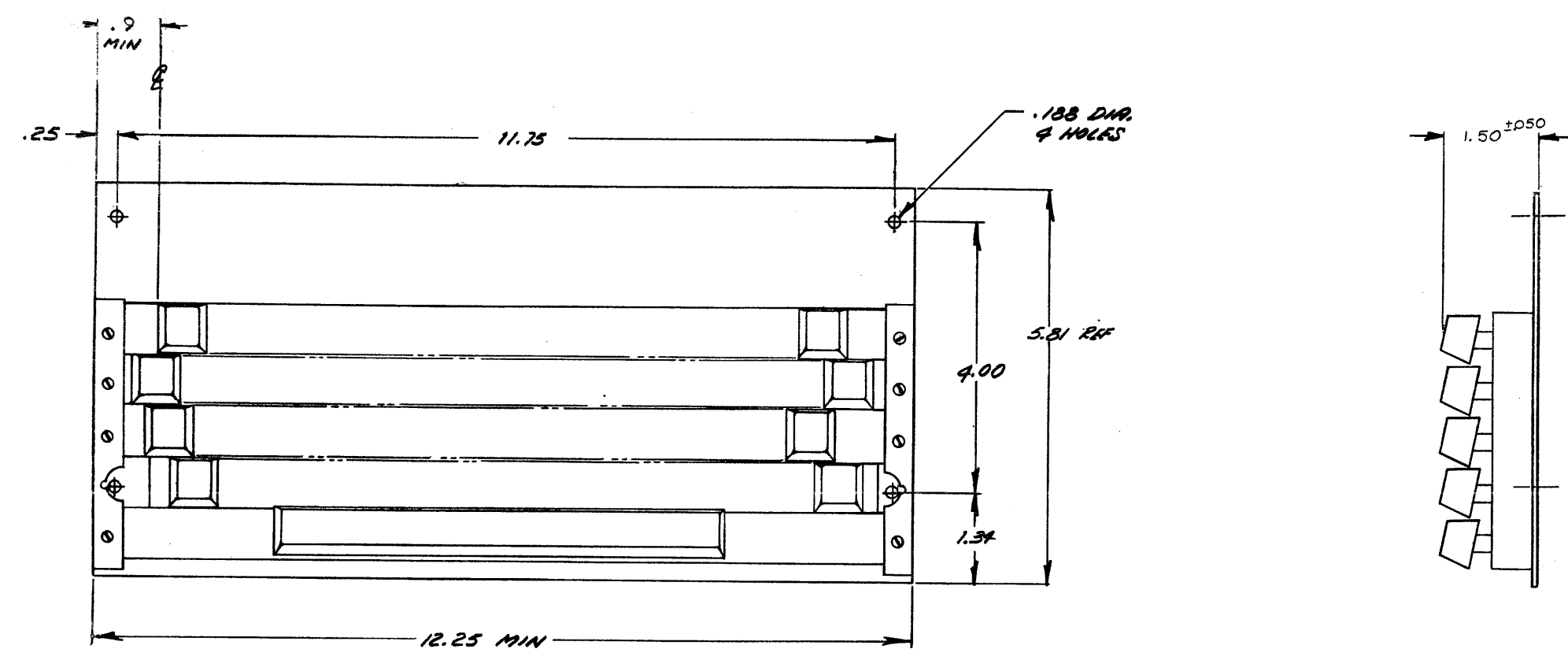
- NOTES:**
- *1. IF ITEM #11 (COMPLETE SET) IS ORDERED DO NOT ORDER ITEM #4 (9 KEY SPACE BAR) AS IT IS PART OF COMPLETE SET WHEN ORDERED FROM CONTROL DEVICES. IF INDIVIDUAL KEYCAPS (ITEM #11) ARE ORDERED ITEM #4 MUST THEN BE ORDERED ALSO AS PER PARTS LIST.
 2. FOR COMPONENT ASSY INFORMATION ON ITEM #1 (PC BOARD) REFER TO SHEET #3
 3. FOR CIRCUIT SCHEMATIC INFORMATION REFER TO DWG D-CS-5407945-1



REV	DATE	BY	CHK'D	DATE
A	1-4-72	D. Schmidt		
B	1-17-72	R. Pung		
C	1-17-72	Chas Beckman		
	2/19/72	D. Widder		
	2/14/72	G. Nimble		

QTY.	DESCRIPTION	PART NO.	ITEM NO.
	PARTS LIST		
	digital EQUIPMENT CORPORATION MAYNARD MASSACHUSETTS		
	TITLE KEYBOARD ASSY		
	MATERIAL FINISH		
	NEXT HIGHER ASSY.		
	SCALE		
	SHEET OF 3		
	B-DD-LK01-0	DAD 5409945-0-0	REV. F

This drawing and specifications, herein, are the property of Digital Equipment Corporation and shall not be reproduced or copied or used in whole or in part as the basis for the manufacture or sale of items without written permission.

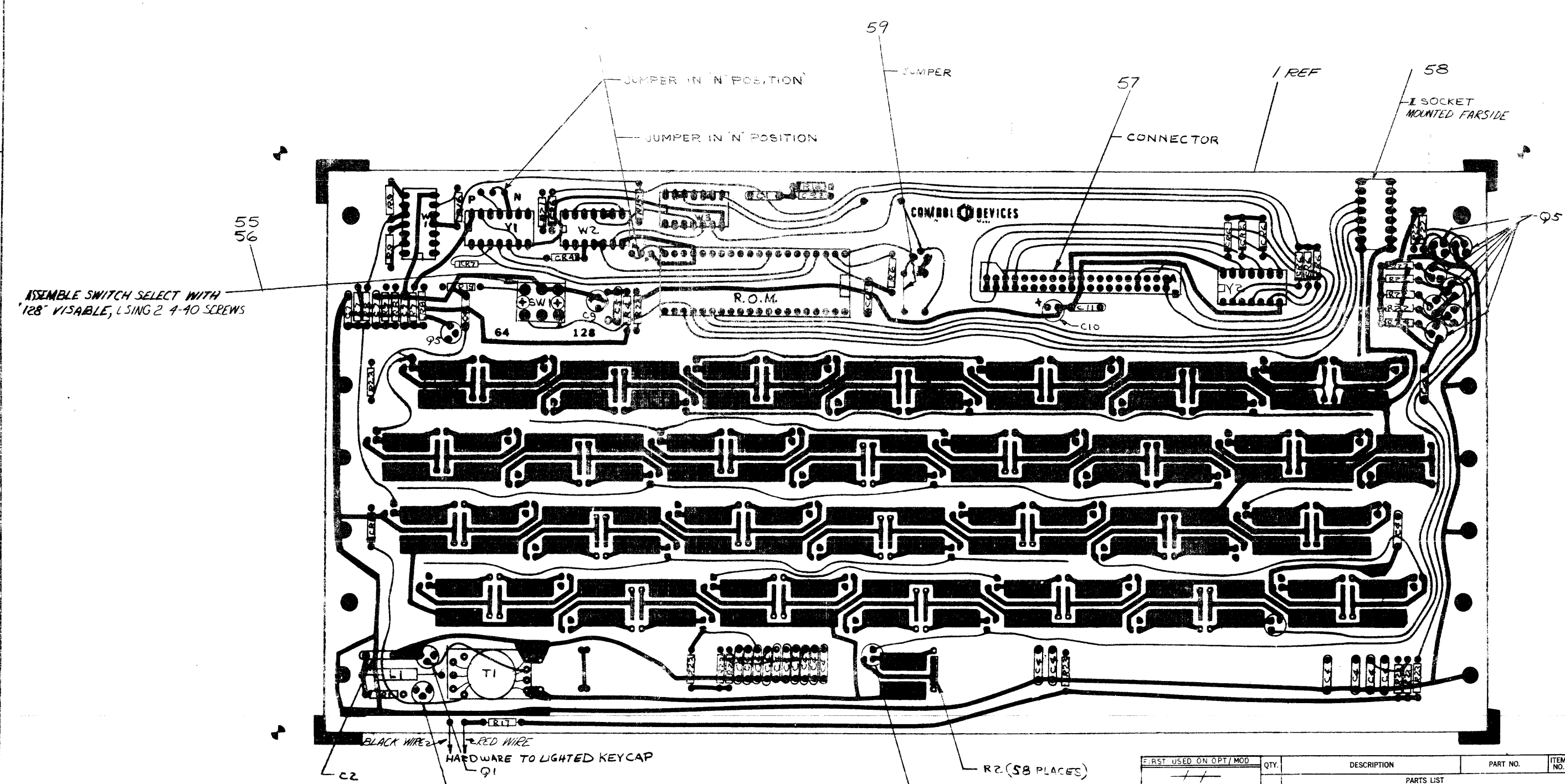


REVISIONS	REV.
CHANGE NO.	
CHK	

FIRST USED ON OPTION/MODEL	QTY.	DESCRIPTION	PART NO.	ITEM NO.
PARTS LIST				
UNLESS OTHERWISE SPECIFIED DIMENSION IN INCHES. TOLERANCES		DATE 1-9-72	digital EQUIPMENT CORPORATION MAYNARD, MASSACHUSETTS TITLE KEYBOARD ASSY	
DECIMALS	ANGLES	DATE 1-16-72		
.XXX = .006	±0° 30'	DATE 1-17-72		
.XX = .02		DATE 2/14/72		
.X = .1		DATE 2/16/72		
REMOVE BURRS AND BREAK SHARP CORNERS SURFACE QUALITY		DATE 2/16/72		
MATERIAL	NEXT HIGHER ASSY.	SIZE CODE	NUMBER	REV.
FINISH		SCALE NONE	DAD5409945-0-0	F
SHEET 2 OF 3		DIST. 1		

This drawing and specifications, herein, are the property of Digital Equipment Corporation and shall not be reproduced or copied or used in whole or in part as the basis for the manufacture or sale of items without written permission.

NOTES:
1. FORMERLY CONTROL DEVICE NO. D4459



ASSEMBLE SWITCH SELECT WITH
"128" VISABLE, USING 2 4-40 SCREWS

BLACK WIRE
RED WIRE
HARDWARE TO LIGHTED KEYCAP
Q1
Q2

TOLERANCES
DECIMAL
.XXX = .005
.XX = .02
.X = .1

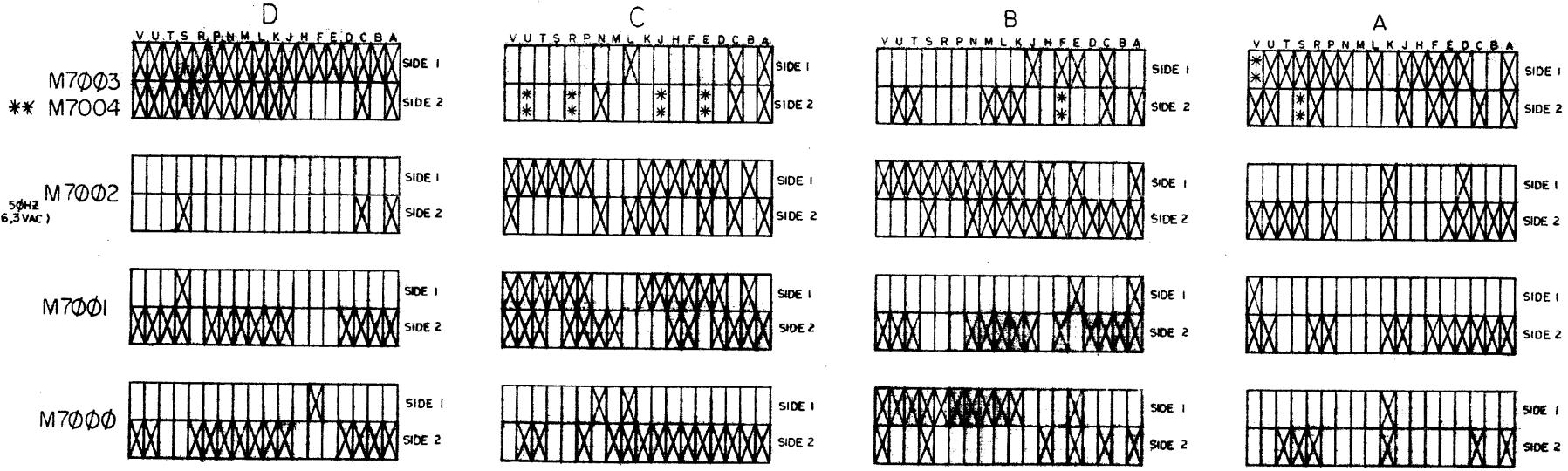
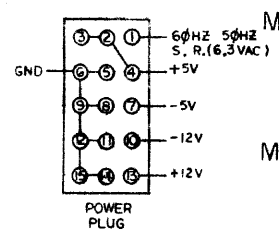
REV.	QTY.	DESCRIPTION	PART NO.	ITEM NO.
1	1	KEYBOARD ASSY		

DRN. DATE 1/6/72	DATE 1-11-72	DATE 2/15/72	DATE 2/15/72	DATE 2/15/72
CHKD. DATE 1-11-72	DATE 2/15/72	DATE 2/15/72	DATE 2/15/72	DATE 2/15/72
ENG. DATE 1-11-72	DATE 2/15/72	DATE 2/15/72	DATE 2/15/72	DATE 2/15/72
PROJ. ENG. DATE 1-11-72	DATE 2/15/72	DATE 2/15/72	DATE 2/15/72	DATE 2/15/72
PROD. DATE 2/15/72	DATE 2/15/72	DATE 2/15/72	DATE 2/15/72	DATE 2/15/72

SCALE 2/1	CODE AD	SIZE D-5409945-0-0	NUMBER 0-0	REV. F
SHEET 3 OF 3	DIST.			

REV.	CHANGE NO.
CHK	

This drawing and specifications, herein, are the property of Digital Equipment Corporation and shall not be reproduced or copied or used in whole or in part as the basis for the manufacture or sale of items without written permission.



- BIT 7 FROM KEYBOARD
- BIT 6 KEYBOARD STROBE
- MASTER CLOCK DC CONTR. 38.4 KHZ
- 19.2 KHZ
- BIT 4 FROM KEYBOARD
- BIT 3 FROM KEYBOARD
- BIT 2 FROM KEYBOARD
- BIT 1 FROM KEYBOARD
- 5.6 KHZ
- AUTO CR/LF DISABLE
- LOCAL REMOTE
- 4.8 KHZ
- 2.4 KHZ
- 1.6 X BAUD TRANSMIT
- 1.6 KHZ
- FROM RECEIVER
- BIT 6 FROM RECEIVER
- STROBE
- V-SYNC
- CTRL ENABLE
- BIT 5 CONVERTED
- BIT 4
- BIT 3
- BIT 2
- BIT 1
- MEM LOAD DISABLE
- GND
- GND
- +5V
- 7.68 HZ
- CHAR 65 BELL
- BELL
- 60 HZ/50 HZ SINUSOID INPUT
- SPEAKER
- CURSOR ADVANCE
- 5V
- ERASE SCREEN
- L14 AUTO LF
- Y005 (1)
- Y004 (1)
- L-7472 MHz CLOCK
- LOAD Y ADDRESS
- Y003 (0)
- ENABLE LINE
- GND
- LOAD X ADDRESS
- 5V A
- Y504 (1)
- Y504 (0)
- Y503 (1)
- Y503 (0)
- Y502 (1)
- Y502 (0)
- Y501 (1)
- Y501 (0)
- Y500 (1)
- Y500 (0)
- 1.56 KHZ (t00)
- 16 X BAUD RECEIVE
- ZY0 BLANKED
- ROLL-UP
- ROM ENABLE
- XD02 (1)
- ROW SELECT INHIBIT
- GND
- Zx0 (1)
- Y-CURSOR SPECIAL
- EXT. VIDEO IN (COAX)
- SIGNAL GROUND (7)
- RECEIVE DATA (3)
- TRANSMIT DATA (2)
- TERMINAL READY (20)
- VIDEO OUT (COAX)
- TESTPATTERN VIDEO (ATTN)
- JKXD02
- DATA IN (2)
- DATA IN (6)
- DATA OUT (3)
- DATA OUT (7)
- TESTPATTERN VIDEO
- VIDEO
- Y-CURSOR
- H-SYNC
- COUNT (3 (8))
- COUNT (57 (8))
- X-CURSOR
- MEM CLOCK ENABLE
- 15.6 KHZ CLOCK XD06 (1)
- CHAR VIDEO
- CHAR VIDEO (NO CURSOR)
- 1.56 KHZ (t00)
- NCL (0)
- GND
- 20.9664 MHZ
- +5V

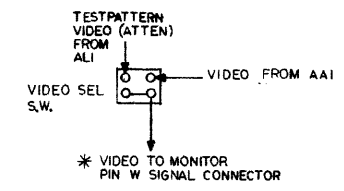
NOTE: * = ALL EXTERNAL CONNECTIONS
 ** ALL BUSS LOCATIONS SHOWING ** ARE USED BY THE M7004 AS WELL AS THOSE USED BY THE M7003.
 EXCEPTION: AR2 IS NOT USED ON THE M7004

SIGNAL CONNECTOR

V	T	R	N	L	F	D	B	Z	X	V	T	R	N	L	F	D	B
U	T	R	N	L	F	D	B	Z	X	V	T	R	N	L	F	D	B
U	T	R	N	L	F	D	B	Z	X	V	T	R	N	L	F	D	B

BIT 3
 BIT 4
 BIT 5
 19.2 KHZ
 38.4 KHZ
 V-SYNC
 KEYBOARD STROBE
 BIT 6
 BIT 7
 TRANSMIT DATA (2)
 VIDEO TO MONITOR
 VIDEO OUT (COAX)
 SIGNAL GROUND (7)
 VIDEO IN (COAX)
 DATA OUT (7)
 DATA IN (5)
 DATA IN (2)
 DATA IN (1)
 TERMINAL READY (20)
 RECEIVE DATA (3)

BIT 2
 BIT 1
 3.6 KHZ
 LOCAL/REMOTE
 4.8 KHZ
 2.4 KHZ
 1.6 X BAUD TRANSMIT
 SPEAKER
 GND
 GND
 GND
 GND
 H-SYNC
 V-SYNC OUT (COAX)
 STOP BIT SELECT
 16 X BAUD RECEIVE
 HALF/FULL DOUPLEX
 H-SYNC OUT (COAX)



REVISIONS

CHK	CHANGE NO.	REV
25	VT05-00071	A
9-21-73		
R. PUCCI		
P. P. P. 10-5-73		

FIRST USED ON OPTION / MODEL VT05	QTY.	DESCRIPTION	PART NO.	ITEM NO.
UNLESS OTHERWISE SPECIFIED				
DIMENSION IN INCHES				
TOLERANCES				
DECIMALS FRACTIONS ANGLES				
± .005 ± 1/64 ± 0°30'				
FINAL SURFACE QUALITY				
REMOVE BURRS AND BREAK SHARP CORNERS				
MATERIAL	NEXT HIGHER ASSY			
FINISH	A-ML-VT05-0			
SCALE	DMU VT05-0-23			
SHEET 1	OF 1			

digital EQUIPMENT CORPORATION
 MATTAPOISETT, MASSACHUSETTS

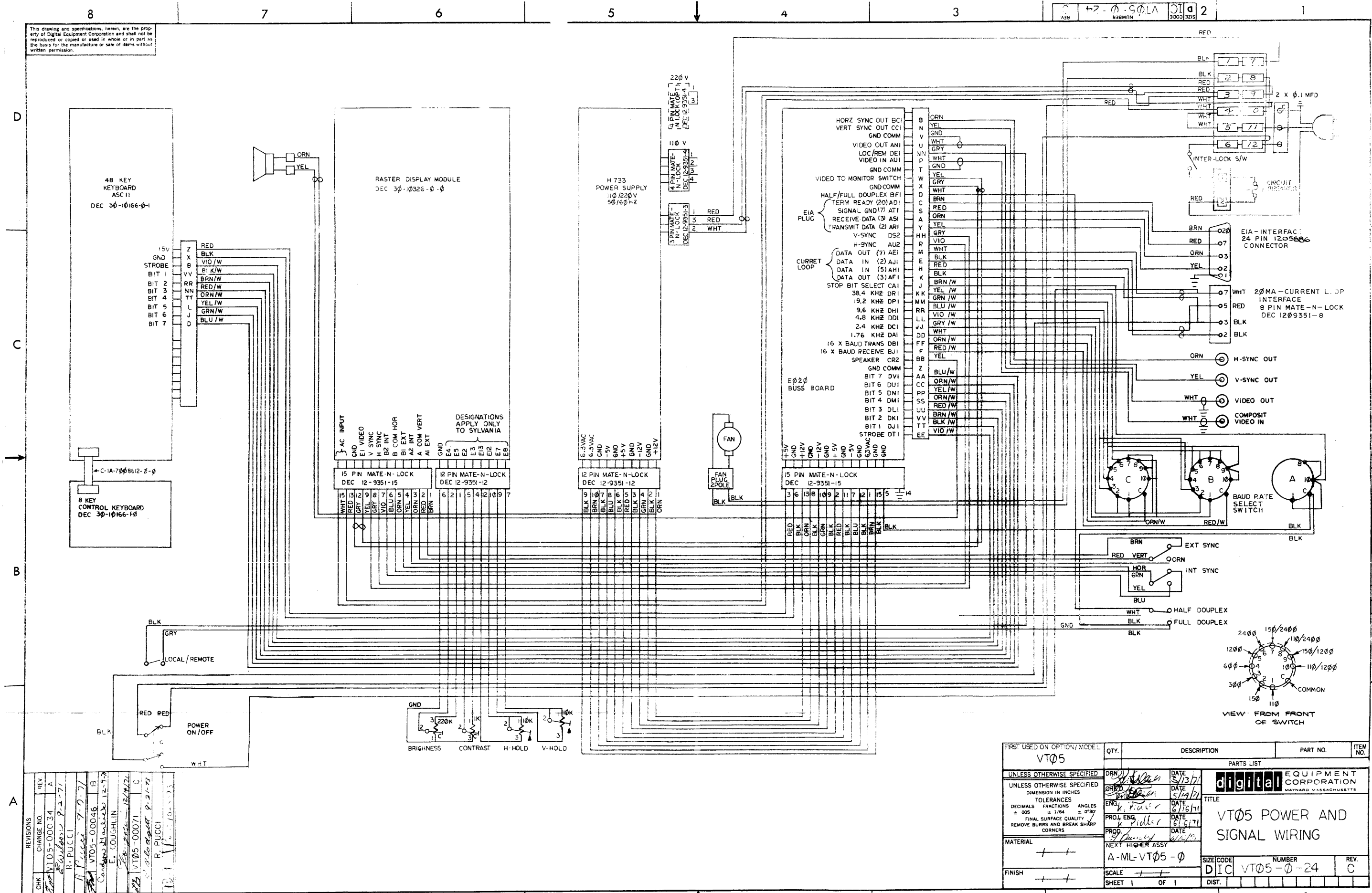
VT05 BUSS ASSIGNMENTS

REV. A

REV. A
 NUMBER
 D MU VT05-0-23
 PART NO.

This drawing and specifications, herein, are the property of Digital Equipment Corporation and shall not be reproduced or copied or used in whole or in part as the basis for the manufacture or sale of items without written permission.

47-0-90LA 2



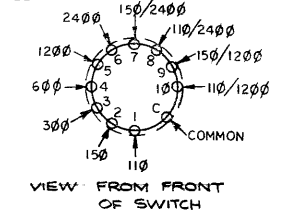
REV	CHG	NO	DATE	BY
13				
12				
11				
10				
9				
8				
7				
6				
5				
4				
3				
2				
1				

REV	CHG	NO	DATE	BY
13				
12				
11				
10				
9				
8				
7				
6				
5				
4				
3				
2				
1				

REV	CHG	NO	DATE	BY
13				
12				
11				
10				
9				
8				
7				
6				
5				
4				
3				
2				
1				

REV	CHG	NO	DATE	BY
13				
12				
11				
10				
9				
8				
7				
6				
5				
4				
3				
2				
1				

REV	CHG	NO	DATE	BY
13				
12				
11				
10				
9				
8				
7				
6				
5				
4				
3				
2				
1				



REV. C
NUMBER
D I C VT05-0-24

DIGITAL EQUIPMENT CORPORATION MAYNARD, MASSACHUSETTS			LEGEND		QUANTITY/VARIATION												
ACCESSORY LIST			D	DOCUMENT	VT05-XX							KIT CHECK	BY	DATE	INSTALLATION CHECK	BY	DATE
MADE BY	CHECKED	SECTION	DN	DOCUMENT CHANGE NOTICE													
DATE	DATE	ISSUED SECT.	PA	PAPER TAPE ASCII													
ENG	PROD		PB	PAPER TAPE BINARY													
DATE	DATE		PM	PAPER TAPE READ-IN-MODE													
ITEM NO.	DWG NO. / PART NO.	DESCRIPTION															
1	DEC-00-H4BD-D	VT05 Maintenance Manual															
2	DEC-00-H4AB-D	VT05 Reference Manual															
3	C-IA-7008519-0-0	Interface Cable 25'															
4	C-IA-1210582	Nylon Machine Screw 1/4 x 20 x 3/8" Lg.															
5	C-IA-1210581	Nylon Finishing Washer															
6	A-SL-VT05-0-31	Appropriate Software Per A-SL-VT05-0-31															
7	DEC VT05 IPB	VT05 ILLS PARTS BREAKDOWN															
8	DEC -00-H4BA-D	VT05 ENG DRAWINGS															
TITLE VT05 Accessory List			ASSY. NO.		SIZE CODE A AL		NUMBER VT05-0-30			REV. B		ECO NO VT05-00071					
			SHEET 1 OF 1		DIST.												

DEC FORM NO.
DRA 121

DIGITAL EQUIPMENT CORPORATION
MAYNARD, MASSACHUSETTS

SOFTWARE LIST

LEGEND

D DOCUMENT
DN DOCUMENT CHANGE NOTICE
PA PAPER TAPE ASCII
PB PAPER TAPE BINARY
PM PAPER TAPE READ-IN-MODE

QUANTITY / VARIATION

MADE BY J. Niemela
DATE 10/27/71
CHECKED DATE 11-2-71
SECTION
ENG DATE 11/16/71
PRODJ. Niemela
DATE 10/27/71
ISSUED SECT.

ITEM NO.	DWG NO. / PART NO.	DESCRIPTION	QUANTITY / VARIATION				KIT CHECK	BY	DATE	INSTALLATION CHECK	BY	DATE
			PDP-8,12	PDP-9,15	PDP-11	PDP-10						
1	MainDec 08-DGV5A(X)PB	VT05 Paper Tape Binary	1									
2	MainDec 08-DGV5A(X)D	VT05 Document	1									
3	MainDec15-DAZ5A(X)PB	VT05 Paper Tape Binary		1								
4	MainDec15-DAZ5A(X)D	VT05 Document		1								
5	MainDec11-DZVTB(X)PB	VT05 Paper Tape Binary			1							
6	Main DEC11-DZVTB(X)D	VT05 Document			1							
7	Main DEC10-DCVTA(X)PB	VT05 Paper tape Binary				1						
8	Main DEC10-DCVTA(X)D	VT05 Document				1						
NOTE: (X) Indicates that latest revision number will be supplied												
TITLE VT05 Software List		ASSY. NO.	SIZE CODE A SL		NUMBER VT05-0-31			REV. B	ECO NO VT05-00071			
SHEET 1 OF 1			DIST.									

This drawing and specifications, herein, are the property of Digital Equipment Corporation and shall not be reproduced or copied or used in whole or in part as the basis for the manufacture or sale of items without written permission.

DIGITAL EQUIPMENT CORPORATION
MAYNARD, MASSACHUSETTS

ENGINEERING SPECIFICATION DATE

TITLE VT05 Alphanumeric Display Customer Acceptance Procedure

REVISIONS

REV	DESCRIPTION	CHG NO	ORIG	DATE	APPD BY	DATE
			D. Starratt	6/21		

ENG	APPD	SIZE	CODE	NUMBER	REV
		A	SP	VT05-0-26	

ENGINEERING SPECIFICATION CONTINUATION SHEET

TITLE VT05 ALPHANUMERIC DISPLAY CUSTOMER ACCEPTANCE PROCEDURE

Customer Acceptance Procedure

Prior to running of customer acceptance, the VT05 should be installed in accordance with the procedure in Chapter 2 of the VT05 Maintenance Manual Vol I.

Enclosed with the VT05 you will find a large envelope containing the following items:

1. Customer Acceptance Forms - Upon successful completion of acceptance, the field serviceman must list any exceptions to proper acceptance on this form. The exceptions must include missing items, incomplete shipments or specification conflicts. The customer must sign the Acceptance Form.
2. Accessory Checklist - This is a list of all items which were shipped with the VT05, and should be used to inventory the shipment. The customer should be present during this inventory. Any missing items should be noted on the Customer Acceptance Form.

Customer Acceptance is a demonstration to the customer, that the VT05 operates according to specification. The demonstration shall consist of operating the appropriate diagnostics in the customers presence.

1. Consult the supplied diagnostic write-up for proper set-up and operation.
2. Run the diagnostic for one complete pass.

Successful completion of 1 & 2 shall constitute completion of VT05 Customer Acceptance. Discrepancies must be listed on the Customer Acceptance Form, and signed by the customer.

SIZE	CODE	NUMBER	REV
A	SP	VT05-0-26	

This drawing and specifications, herein, are the property of Digital Equipment Corporation and shall not be reproduced or copied or used in whole or in part as the basis for the manufacture or sale of items without written permission.

REPRODUCED WITH PERMISSION OF ELASCO INC.

UNLESS OTHERWISE SPECIFIED
 ALL RESISTOR VALUES ARE IN OHMS AND ARE 1/2 WATT.
 ALL CAPACITOR VALUES ARE IN MICRO-FARADS.
 * RECOMMENDED REPLACEMENTS
 R5 - RN60D - 392~
 R9 - RN60D - 1.62K ~

QTY.	DESCRIPTION	PART NO.	ITEM NO.	
1	RES, 1/2 W 5%	R19	120 Ω	38
1	RES, 1/2 W 5%	R18	1K Ω	7
1	IC, FAIRCHILD U9A7723393	VR1		7
1	POT, CLAROSTAT U39	R16	500 Ω	15
1	TRANSFORMER	T1	T-4432	34
1	RES, 1/2 W 5%	R15	500 Ω	33
1	IC, LINEAR VOLTAGE REG 7805	VR3	U6H7805391	32
2	IC, LINEAR VOLTAGE REG 7812	VR2, VR4	U6H7812391	31
1	RES, 1/2 W 5%	R13	100 Ω	17
3	RES, 1/2 W 5% R21	R12, R14	10 Ω	29
1	RES, RN60D	R11	2.2K Ω	28
* 1	RES, 1/2 W 5%	R9	2K Ω	27
1	POT, CLAROSTAT U39	R8	1K Ω	26
2	RES, 3W WW CLAROSTAT	R6, R7	.25 Ω CC3D	25
* 1	RES, 1/2 W 5%	R5	390 Ω	24
2	RES, 1/2 W 5%	R9, R10	1K Ω	23
1	RES, RN60D	R3	909 Ω	22
2	RES, 1/2 W 5%	R2, R1	120 Ω	21
1	RES, 1/2 W 5%	R17	29 Ω	20
1	S.C.R.	Q3	MCR 3000-1	19
1	TRANS	Q2	MJE 520	18
1	TRANS, SOLITRON	Q1	2N3055	17
1	SENSOR, ELMWOOD	S1	2950-117	16
1	FUSE	F1	5A	15
1	DIODE, ZENER	CR5	1N752A	14
12	DIODE	CR6, CR10, CR11, CR12, CR13, CR14, CR15, CR16, CR17	S4001	13
4	DIODE	CR1, CR2, CR3, CR4	3E05	12
2	CAP, G.E. OR SPRA.	C5, C2	0.1MF/80V	11
				10
1	CAP, IEC	C10	50/15V	9
3	CAP, IEC	C6, C7, C8, C9, C11, C12	100/35V	8
1	CAP, ERIE OR CENTRAL LAB	C4	970 PF-25V	7
1	CAP, IEC	C3	1/50V	6
1	CAP, G.E. OR SPRA.	C5	0.1/80V	5
1	CAP, STM/SYNCR0	C11	33C357L252	4
1	CAP, STM/SYNCR0	C9	33C156L33	3
1	CAP, STM/SYNCR0	C7	33C356L112	2
1	CAP, STM	C1	91C15HB1352	1

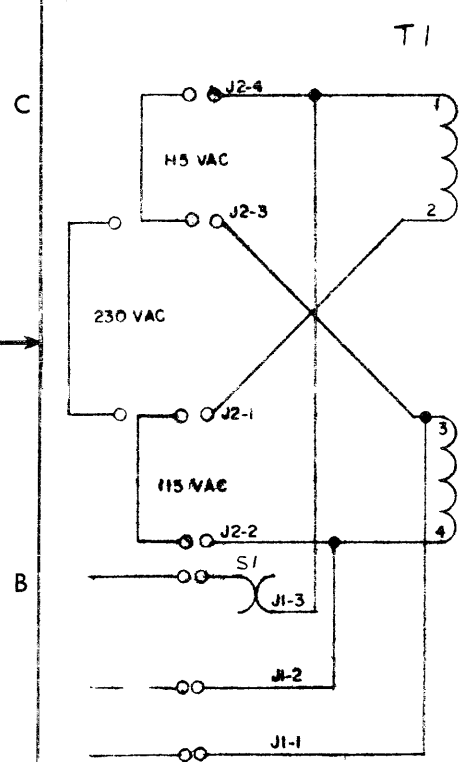
FIRST USED ON OPTION/MODEL	QTY.	DESCRIPTION	PART NO.	ITEM NO.
VT05				

DRN	DATE	CHK'D	DATE	ENG.	DATE	PRG. ENG.	DATE	PROD.	DATE
11/5/73	1/18/73								

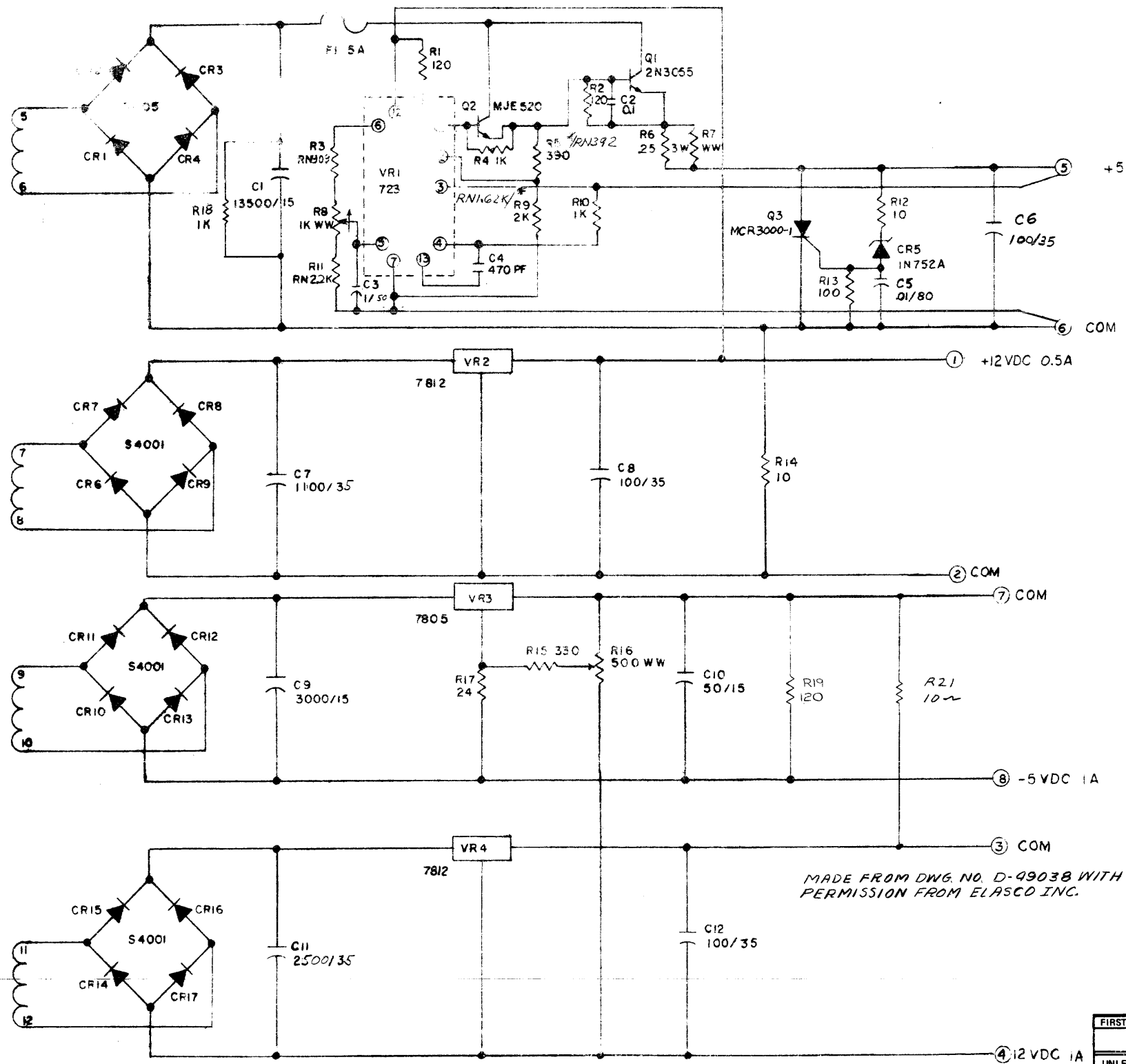
UNLESS OTHERWISE SPECIFIED	DECIMALS	ANGLES
DIMENSION IN INCHES.	.XXX = .006	±0° 30'
TOLERANCES	.XX = .02	
	.X = .1	

MATERIAL	NEXT HIGHER ASSY.	SCALE	SHEET	OF
SEE PARTS LIST	A-ML-VT05-0	NONE		

TITLE	SIZE CODE	NUMBER	REV.
SCHEMATIC POWER SUPPLY	D	CSH733-1-1	A



NOTE: S1 OPENS AT 90° ± 5°C RECLOSES AT 60° ± 5°C



MADE FROM DWG. NO. D-49038 WITH PERMISSION FROM ELASCO INC.

REV.	CHANGE NO.	DATE
A	H733-00001	11/5/73

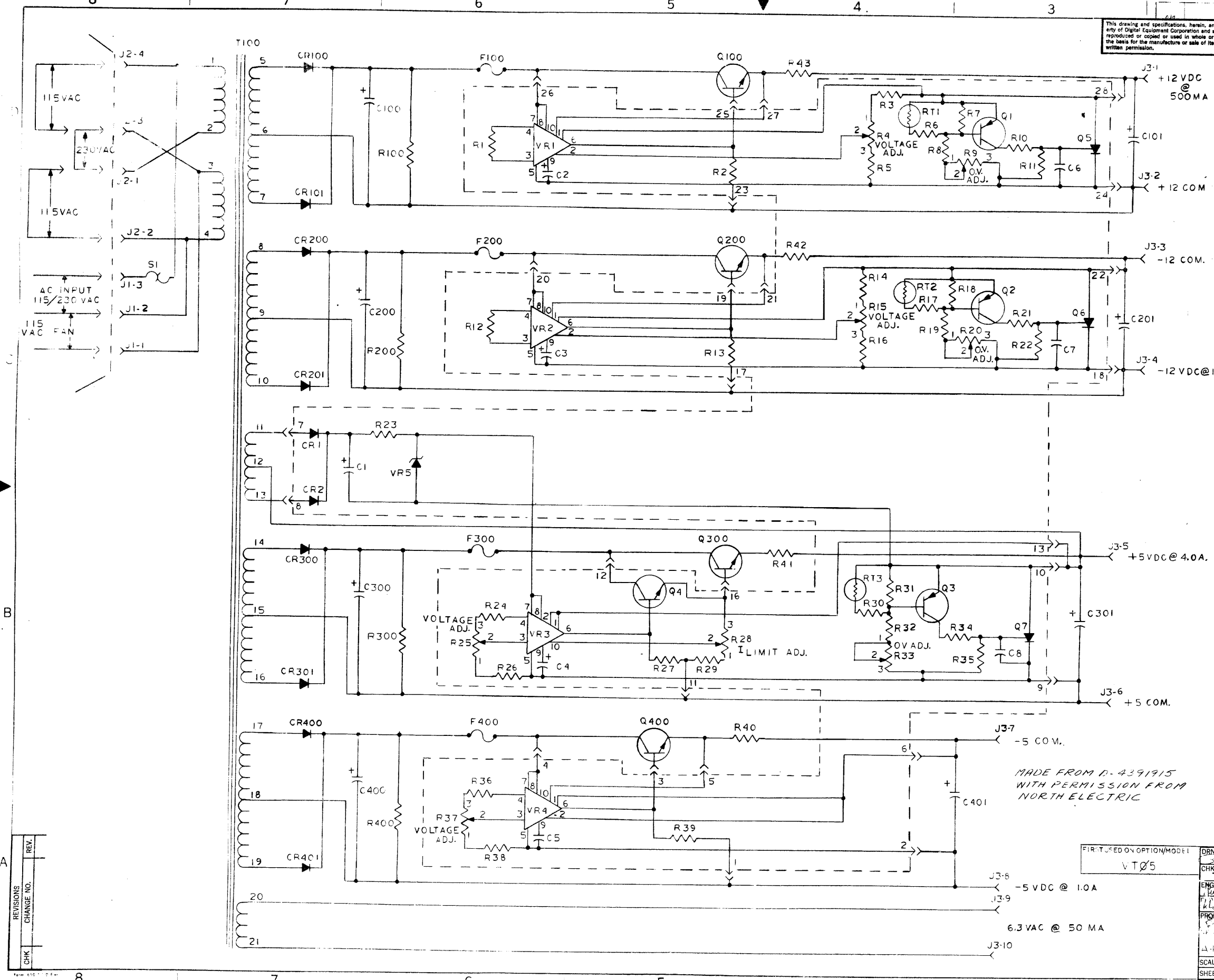
CHK: [Signature]
 PUCI
 Rev. 11/5/73

This drawing and specifications herein are the property of Digital Equipment Corporation and shall not be reproduced or copied or used in whole or in part as the basis for the manufacture or sale of items without written permission.

1-0-2H 30 2 1

COMPONENT CHART

CKT. REF.	DESCRIPTION	PART NO.
A1	CARD	620 0641
C1	CAP. 500 MFD 25VDC	304 1475
G2,3,4,5	CAP. .01 MFD 50VDC CERAMIC	304 1346
C100	CAP. 4000 MFD 40VDC	304 1207
C101,201	CAP. 500 MFD 15VDC	304 1474
C301,401	" " " " " "	" " " "
C6,7	CAP. 1 MFD 35VDC	304 1299
C8	" " " " " "	" " " "
C200	CAP. 6000 MFD 40VDC	304 1195
C300	CAP. 27,000 MFD 20VDC	304 2142
C400	CAP. 7,200 MFD 20VDC	304 2029
CR1,2	DIODE 1N4818	337 1399
CR100,101	" " " " " "	" " " "
CR200,201	DIODE 1N4721	337 1396
CR400,401	" " " " " "	" " " "
CR300,301	DIODE 1N1201A	337 1405
F100	FUSE 3/4 AMP, AGC	315 0153
F200,400	FUSE 1.5 AMP, AGC	315 0144
F300	FUSE 5 AMP, AGC	315 0242
Q1,2,3	TRANSISTOR, PNP 2N3133	370 0144
Q4	TRANSISTOR, NPN 2N2218	533802
Q100,200	TRANSISTOR 2N3055	370 0202
Q300,400	" " " " " "	" " " "
Q5,6	SCR 2N4441	337 1592
Q7	" " " " " "	" " " "
R1,12	RES. 1.5K, 1/2W, 1%	340 6119
R2,13,27	RES. 6.8K, 1/2W, 5%	340 0173
R3,14	RES. 2K, 1/2W, 1%	340 6239
R4,15	POT. 1K, .75W, 10%	341 0660
R5,16	RES. 3010Ω, 1/2W, 1%	340 6240
R6,17,30	RES. 425Ω, 1/2W, 1%	340 5907
R7,18,31	RES. 225Ω, 1/2W, 1%	340 5921
R8,19,26	RES. 2.21K, 1/2W, 1%	340 6238
R38	" " " " " "	" " " "
R9,20	POT. 5K, .75 W, 10%	341 0686
R10,21	RES. 43Ω, 1/2W, 5%	340 0120
R11,22,23	RES. 160Ω, 1/2W, 5%	340 0134
R35	" " " " " "	" " " "
R24,36	RES. 750Ω, 1/2W, 1%	340 6113
R25,28,37	POT. 500Ω, .75 W, 10%	341 0656
R29	RES. 274Ω, 1/2W, 1%	340 6237
R32	RES. 700Ω, 1/2W, 1%	340 5992
R33	POT. 2K, .75W 10%	341 0685
R34	RES. 20Ω, 1/2W, 5%	340 0107
R39	RES. 3.3K, 1/2W, 5%	340 0165
R40,42	RES. 0.375Ω, 3W, 1%	340 5158
R41	RES. 0.1Ω, 3W, 1%	340 5158
R43	RES. 0.75Ω, 3W, 1%	340 5378
R100,200	RES. 430Ω, 2W, 5%	340 0839
R300	RES. 75Ω, 2W, 5%	340 0821
R400	RES. 240Ω, 2W, 5%	340 0833
RT1,2,3	THERMISTOR 1KΩ, ±10% 25°C	369 0014
T100	TRANS.	601 2428
VR1,2,3,4	VOLTAGE REG. A723C	371 3001
VR5	ZENER REG. 1N754A	337 1355
S1	THERMOSTAT	366 0431



MADE FROM D-4391915
WITH PERMISSION FROM
NORTH ELECTRIC

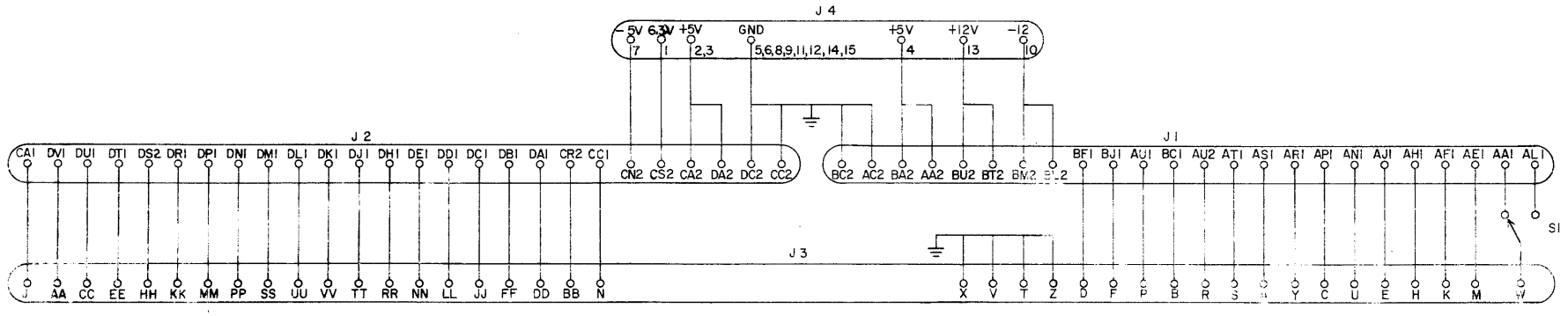
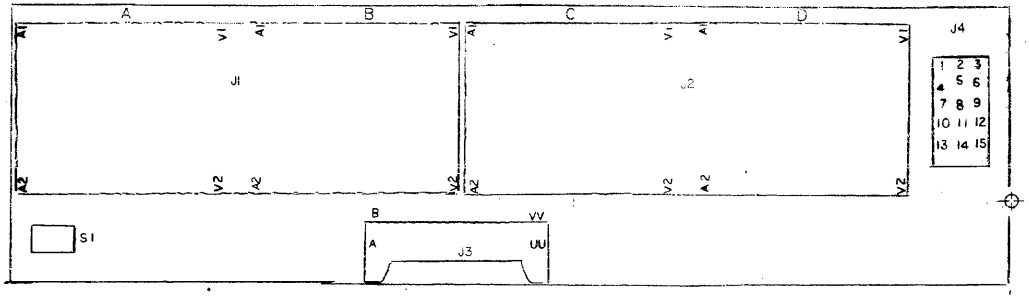
FIRST USED ON OPTION/MODEL
VT05

REV.	CHANGE NO.

DRN	DATE	digital EQUIPMENT CORPORATION MAYNARD, MASSACHUSETTS
CHKD	DATE	
ENG	DATE	TITLE
PLT ENG	DATE	SCHEMATIC, POWER SUPPLY
PROD.	DATE	
A-NL 170-0-2	SIZE CODE	NUMBER
SCALE NONE	DIST.	REV.
SHEET 2	OF 1	1

851 0364
ENG. LEVEL DATE

THIS SCHEMATIC IS FURNISHED ONLY FOR TEST AND MAINTENANCE PURPOSES. THE CIRCUITS ARE PROPRIETARY IN NATURE AND SHOULD BE TREATED ACCORDINGLY. COPYRIGHT 1971 BY DIGITAL EQUIPMENT CORPORATION



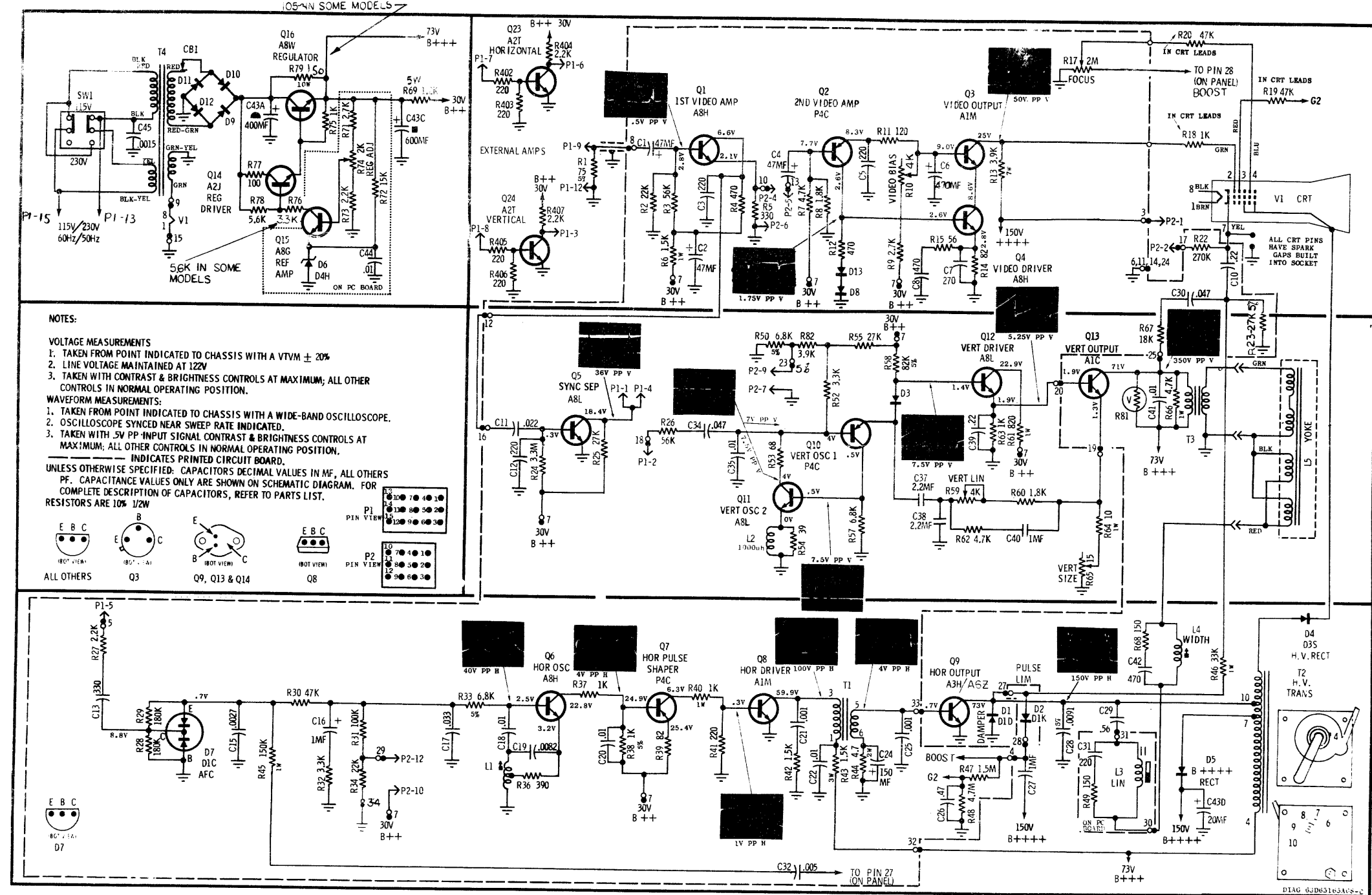
NOTE:
 ALL IDENTIFIED PINS OF THE SAME DESIGNATIONS ARE BUSSED. e.g. B1, B2

QTY	DESCRIPTION	REF. DESIGNATION	U.S. PART NO.	REV.
1	BRACKET		D-MD-74-08576-0-C	11
1	SWITCH	S1	1209698	10
10	SOCKETS PIN		1209456	9
1	CONNECTOR	J4	1209350-15	8
1	CONNECTOR	J3	1209341	7
2	CONNECTOR	J1, J2	1205346	6
1	ETCHED CIRCUIT BOARD		5009404	5
	MODULE SOC HISTORY		B-MH-E020-0-6	4
	DRY/DRILLING HOLE LAYOUT		E-1A-5009404-0-0	3
	APPROXIMATE HOLE LOCATIONS		K-CO-E020-0-4	2
	DESCRIPTION		U.S. PART NO.	
	PARTS LIST			

REVISIONS CHG NO. REV. C DATE 11/11/71 ENG. Peter Fucci PROD. S. Bandy	DRW. S. Cooper DATE 4-14-71	TRANSISTOR & DIODE CONVERSION CHART DEC EIA DEC EIA		TITLE digital EQUIPMENT CORPORATION MAYNARD, MASSACHUSETTS PRINTED CIRCUIT REV. C
	DATE 11/11/71 DATE 6/11/71 DATE 11/11/71	TITLE digital VT05 BUS BOARD SIZE CODE NUMBER D CS E020-0-1 REV. C		

This drawing and specifications, herein, are the property of Digital Equipment Corporation and shall not be reproduced or copied in whole or in part as the basis for the manufacture or sale of items without written permission.

REPRODUCED WITH PERMISSION OF MOTOROLA



NOTES:

VOLTAGE MEASUREMENTS

- TAKEN FROM POINT INDICATED TO CHASSIS WITH A VTVM $\pm 20\%$
- LINE VOLTAGE MAINTAINED AT 122V
- TAKEN WITH CONTRAST & BRIGHTNESS CONTROLS AT MAXIMUM; ALL OTHER CONTROLS IN NORMAL OPERATING POSITION.

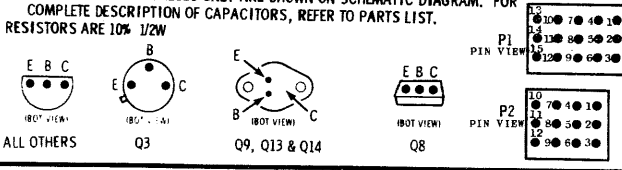
WAVEFORM MEASUREMENTS:

- TAKEN FROM POINT INDICATED TO CHASSIS WITH A WIDE-BAND OSCILLOSCOPE.
- OSCILLOSCOPE SYNCED NEAR SWEEP RATE INDICATED.
- TAKEN WITH .5V PP INPUT SIGNAL CONTRAST & BRIGHTNESS CONTROLS AT MAXIMUM; ALL OTHER CONTROLS IN NORMAL OPERATING POSITION.

INDICATES PRINTED CIRCUIT BOARD.

UNLESS OTHERWISE SPECIFIED, CAPACITORS DECIMAL VALUES IN MF, ALL OTHERS PF. CAPACITANCE VALUES ONLY ARE SHOWN ON SCHEMATIC DIAGRAM. FOR COMPLETE DESCRIPTION OF CAPACITORS, REFER TO PARTS LIST.

RESISTORS ARE 10% 1/2W



REV.	NO.	DATE	BY
1	00004	10-2-72	PLUCI
2	00004	10-5-73	PLUCI

MOTOROLA
DEC MONITOR
NUMBER: 63065-65A08

FIRST USED ON OPTION/MODEL	QTY.	DESCRIPTION	PART NO.	ITEM NO.
VT05				
UNLESS OTHERWISE SPECIFIED DIMENSION IN INCHES. TOLERANCES				
DECIMALS	ANGLES	TITLE		
XXX = .006	$\pm 0^\circ 30'$	VT05		
XX = .02		RASTER DISPLAY		
X = .1				
REMOVE BURRS AND BREAK SHARP CORNERS SURFACE QUALITY				
MATERIAL				
NEXT HIGHER ASSY.				
A-ML-VT05-0		SIZE CODE	NUMBER	REV.
SCALE		DCS	3010326-0-3	A
SHEET 1 OF 2		DIST.		

QTY.	DESCRIPTION	PART NO.	ITEM NO.
1	SPRING SPECIAL: CRT ADJUST GRND	41D65987A01	133
1	HALF TRANSISTOR Q3 Q8	5868719A01	132
1	SOCKET TRANSISTOR Q9, Q13, Q16	9C63825A01	131
1	SOCKET CRT INCL. LEADS, P1, P12, P13	9D67555A05	130
1	SCREW TPG 8-18 X 1 DEF YOKE CLAMP MTG.	35131480	129
1	SCREW TPG 6-20 X 1/2 CLU PAN HD TRANSISTOR MTG. Q9, Q13, Q16	35136050	128
1	RIVET DRIVE PIN NYLON HV TRANSF. MFG.	5510281A03	127
1	INSULATOR TRANSISTOR COVER Q9, Q13, Q16	14V25000A41	126
1	INSULATOR MOLDED RUBBER SS RECT. CAP/HV. TRANSF.	14L68842A04	125
1	INSULATOR MICA TRANSISTOR SOCKET Q9, Q13, Q16	14A562353	124
1	HEAT SINK: Q3	26C66745A05	123
1	GROMMET PLASTIC PC PANEL MTG.	5B69911A01	122
1	COVER NYLON SLIDE SWITCH(SW-1)	15S10630A01	121
1	CONTACT RECEPT FOR CONN(P1, P2)	39S10184A41	120
1	(P2) CONNECTOR RECEPT: 12 CONTACT: LESS CONTACTS	15S10183A27	119
1	(P1) CONNECTOR RECEPT: 15 CONTACT: LESS CONTACTS	15S1083A30	118
1	CONNECTOR, PC PANEL, 9 CONTACT ON CHASSIS	31D70084A04	117
1	CONNECTOR, 2ND ANODE	42D65864A54	116
1	CLAMP METAL DEF YOKE MTG.	42B66166A15	115
1	CAP SS RECTIFIER (HV. TRANSF PR/1 SEC LEAD)	9D66133A30	114
1	CRT (SYLVANIA ST54449A OR CLINTON CE226-M12P4S)	96S233A01	113

This drawing and specifications, herein, are the property of Digital Equipment Corporation and shall not be reproduced or copied or used in whole or in part as the basis for the manufacture or sale of items without written permission.

REPRODUCED WITH PERMISSION MICROLOLA

D

C

B

A

REVISIONS
CHANGE NO.
CHK
REV

Table with 4 columns: Component ID, Description, Part Number, and Quantity. Rows include components like T-4, R-405, R-404, R-403, R-402, R-82, R-81, R-79, R-78, R-77, R-76, R-75, R-73, R-72, R-71, R-69, R-68, R-67, R-66, R-64, R-63, R-62, R-61, R-60, R-58, R-57, R-55, R-54, R-53, R-52, R-50, R-49, R-48, R-47, R-46, R-45, R-44, R-43, R-42, R-41, R-40, R-39, R-38, R-37, R-36, R-34, R-33, R-32, R-31, R-30, R-29, R-28, R-27, R-26, R-22, R-20, R-19, R-18, R-15, R-14, R-13, R-12, R-11, R-9, R-8, R-7, R-6, R-5, R-4, R-3, R-2, R-1, R-74, R-59, R-17, R-10, Q-24, Q-23, Q-16, Q-15, Q-14, Q-13, Q-12, Q-11, Q-10, Q-9, Q-8, Q-7, Q-6, Q-5, Q-4, Q-3, Q-2, Q-1, L-5, L-4, L-3, L-2, L-1.

Table with 4 columns: Component ID, Description, Part Number, and Quantity. Rows include components like D-13, D-12, D-11, D-10, D-9, D-6, D-7, D-8, D-5, D-4, D-3, D-2, D-1, C-45, C-44, C-43, C-42, C-41, C-40, C-39, C-38, C-37, C-35, C-34, C-32, C-31, C-30, C-29, C-28, C-27, C-26, C-25, C-24, C-22, C-21, C-20, C-19, C-18, C-17, C-16, C-15, C-13, C-12, C-11, C-10, C-8, C-7, C-6, C-5, C-4, C-3, C-2, C-1.

D

C

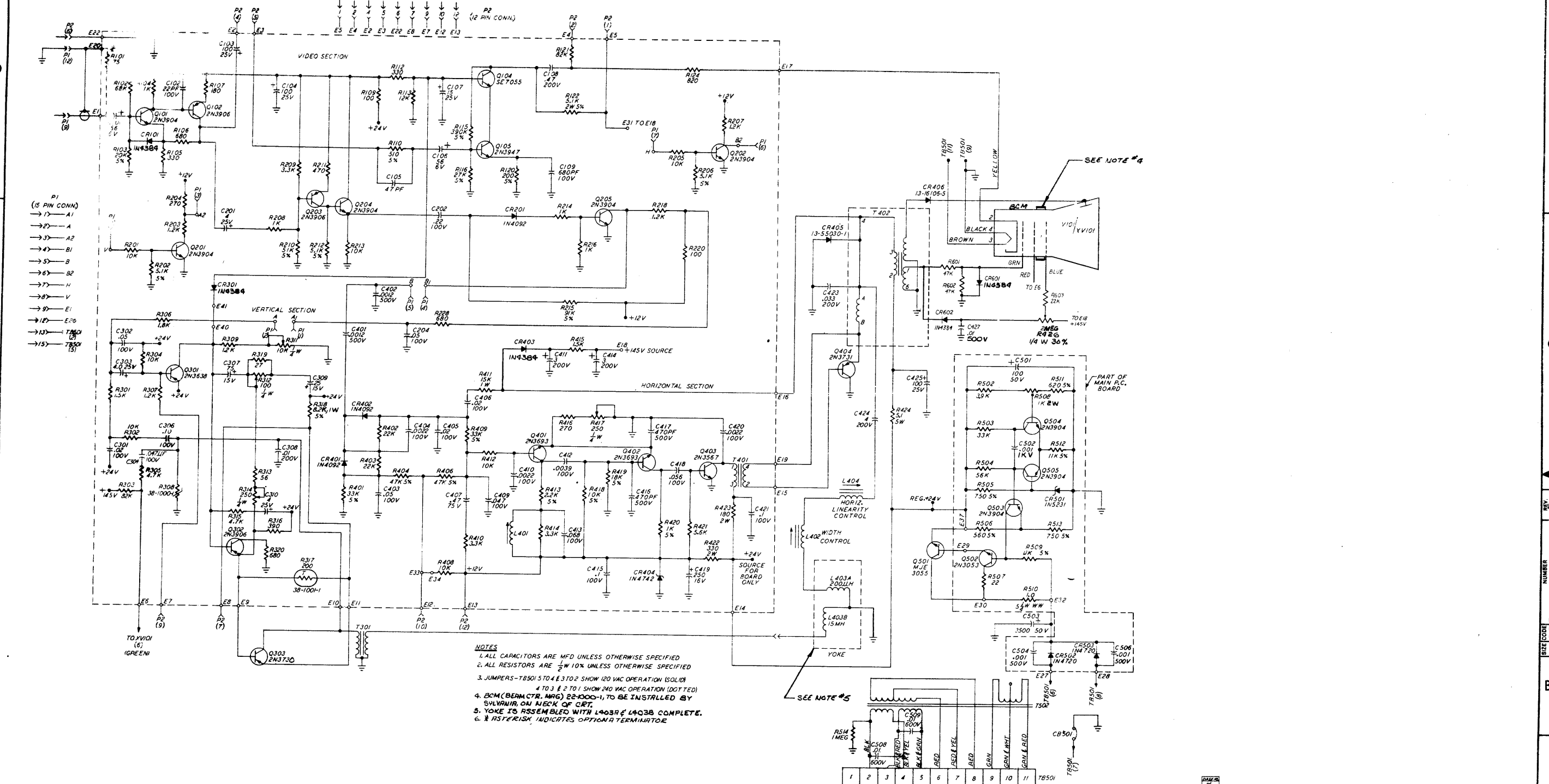
B

A

REV. A
NUMBER 3010326-0-3
D CS

Form with fields: FIRST USED ON OPTION MODEL (VT05), QTY., DESCRIPTION, PART NO., ITEM NO., DRN, DATE, DIMENSION IN INCHES, TOLERANCES, DECIMALS, ANGLES, REMOVE BURRS AND BREAK SHARP CORNERS SURFACE QUALITY, MATERIAL, FINISH, NEXT HIGHER ASSY., SCALE, SHEET 2 OF 2, DIST., TITLE (VT05 RASTER DISPLAY), SIZE CODE (D CS), NUMBER (3010326-0-3), REV. (A).

This drawing and specifications, herein, are the property of Digital Equipment Corporation and shall not be reproduced or copied or used in whole or in part as the basis for the manufacture or sale of items without written permission.



- NOTES
1. ALL CAPACITORS ARE MFD UNLESS OTHERWISE SPECIFIED
 2. ALL RESISTORS ARE 1/4W 10% UNLESS OTHERWISE SPECIFIED
 3. JUMPERS-T8501 TO 4 & 3 TO 2 SHOW 120 VAC OPERATION (SOLID) 4 TO 3 & 2 TO 1 SHOW 240 VAC OPERATION (DOTTED)
 4. BCM (BEAM CURR. MON) 22-1000-1, TO BE INSTALLED BY SYLVANIA ON NECK OF CRT.
 5. YOKE IS ASSEMBLED WITH L403 & L403B COMPLETE.
 6. * ASTRISK INDICATES OPTIONAL TERMINATOR.

1	W377	REVISED	DATE	BY
2	W377	REVISED	DATE	BY

REV.	CHANGE NO.	DESCRIPTION
A	VT05-00036	
B	VT05-00036	
C	VT05-00036	
D	VT05-00036	
E	VT05-00036	
F	VT05-00036	
G	VT05-00036	
H	VT05-00036	
I	VT05-00036	
J	VT05-00036	
K	VT05-00036	
L	VT05-00036	
M	VT05-00036	
N	VT05-00036	
O	VT05-00036	
P	VT05-00036	
Q	VT05-00036	
R	VT05-00036	
S	VT05-00036	
T	VT05-00036	
U	VT05-00036	
V	VT05-00036	
W	VT05-00036	
X	VT05-00036	
Y	VT05-00036	
Z	VT05-00036	

DEC FORM NO. DRD 100

FIRST USED ON OPTION / MODEL
VT05

GTE SYLVANIA
DEC MONITOR
SERIAL NO. 100-100-100
PART NO. E00-1073


QTY.	DESCRIPTION	PART NO.	ITEM NO.
	PARTS LIST		
	digital EQUIPMENT CORPORATION MAYNARD, MASSACHUSETTS		
	TITLE VT05 RASTER DISPLAY		
	DRN. C.B. MCCOY DATE 6-9-71		
	CHK'D. [Signature] DATE 12-1-71		
	ENG. K. PULLI DATE 7-20-71		
	PROJ. ENG. K. PULLI DATE 7-20-71		
	PROD. [Signature] DATE 7-15-71		
	NEXT HIGHER ASSY A-ML-VT05-0		
	SCALE		
	SHEET OF 2		
	SIZE CODE NUMBER REV. D/CS 3010326-0-2 B		

SIZE CODE NUMBER
D/CS 3010326-0-2 REV. B

This drawing and specifications, herein, are the property of Digital Equipment Corporation and shall not be reproduced or copied or used in whole or in part as the basis for the manufacture or sale of items without written permission.

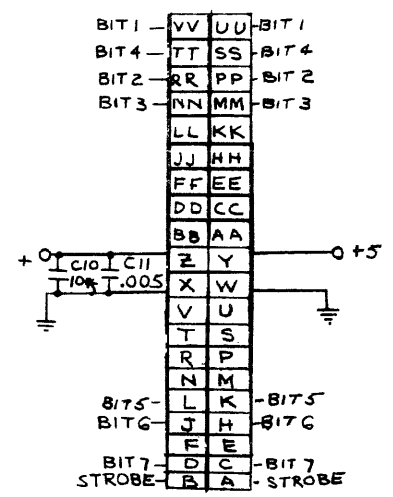
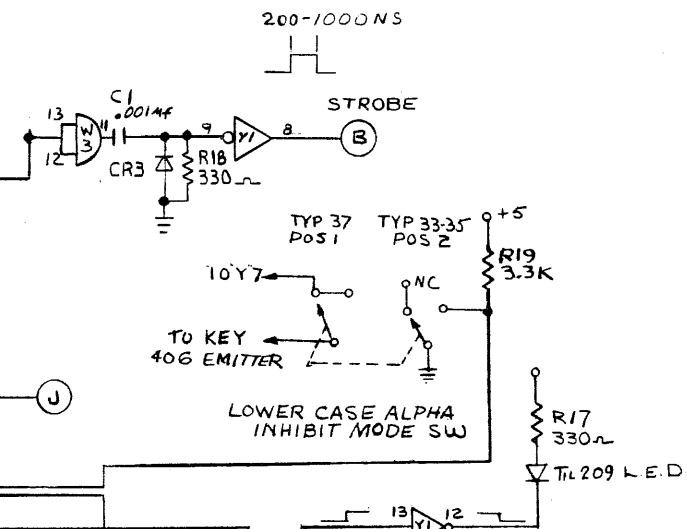
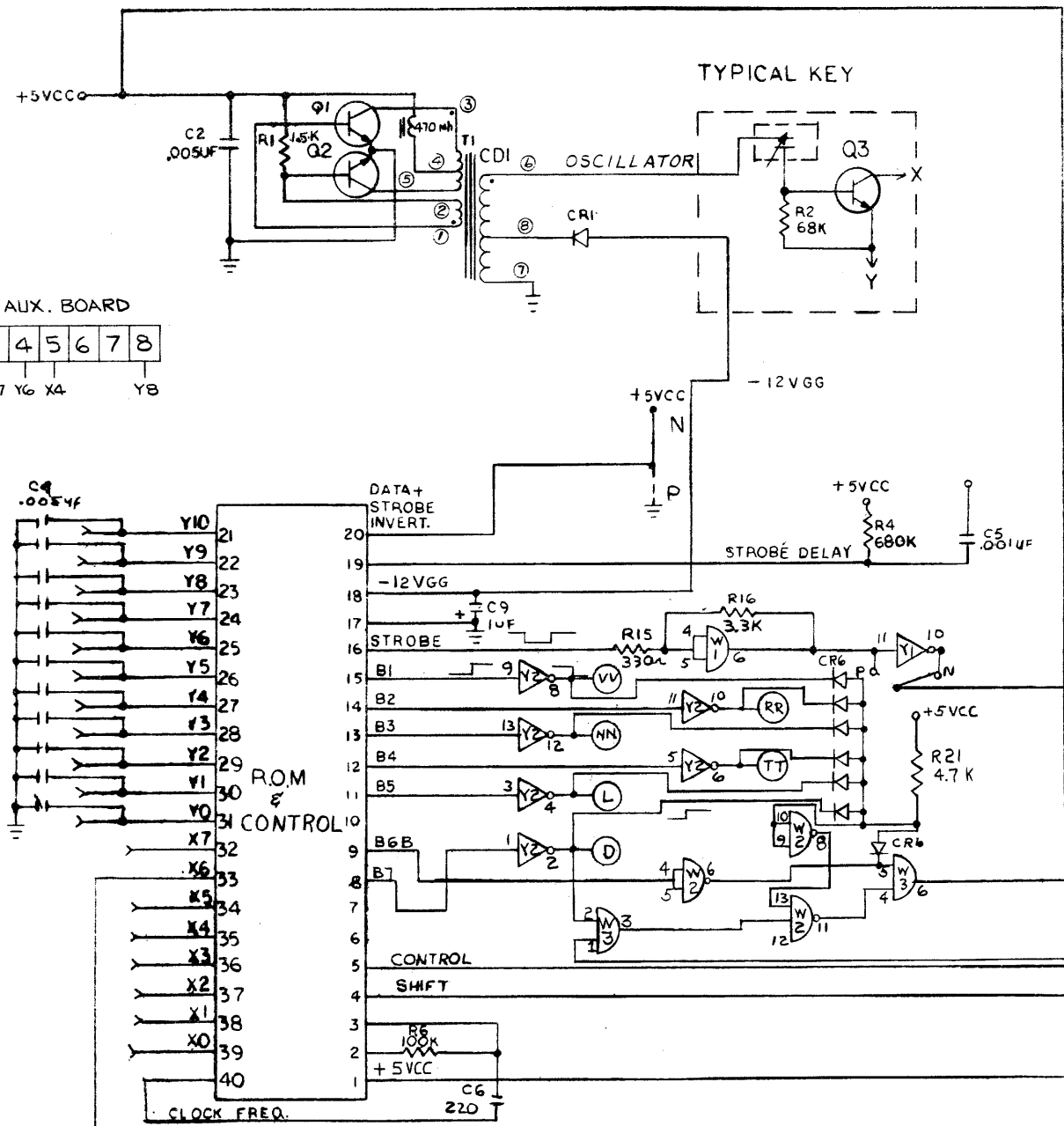
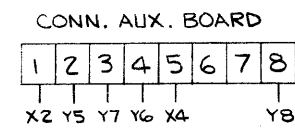
REV. 2
 NUMBER 3010326-0-2
 CODE DCS

1	V101	FAIRCHILD RAY TUBE 120SH4	131	2	C101, C106	CAPACITOR, 56 uf 5V	83	7	R201, R205, R213, R302, R304, R408, R412	RESISTOR, 10K, 1/2W, 10%	35
1	P2	PIN, CONN., HOUSING, CONN. PIN	130	1	R603	RESISTOR, 22K 1W 10%	82	1	R124	RESISTOR, 820, 1/2W, 10%	34
1	P1	HOUSING, CONN. PIN	129	2	R601, R602	RESISTOR, 47K 1/2W 10%	81	1	R122	RESISTOR, 5.1K, 2W, 5%	33
1	PC-1	PC BOARD	128	1	R514	RESISTOR, 1 MEG 1/2W 10%	80	2	R121, R303	RESISTOR, 82K, 1/2W, 10%	32
1	X1	SOCKET	127	1	R512	RESISTOR, 11K 1/2W 5%	79	1	R120	RESISTOR, 200, 1/2W, 5%	31
1	BC1	RAW STR. MAG.	126	1	R511	RESISTOR, 820 1/2W 5%	78	1	R116	RESISTOR, 27K, 1/2W, 5%	30
1	CB501	CIRCUIT BREAKER	125	1	R510	RESISTOR, 1.0 5-1/2W 5%	77	1	R115	RESISTOR, 390K, 1/2W, 5%	29
1	T502	TRANSFORMER, POWER	124	1	R509	RESISTOR, 1.1K 1/2W 5%	76	1	R113	RESISTOR, 12K, 1/2W, 10%	28
1	T402	TRANSFORMER, ASSY HS & HV	123	1	R507	RESISTOR, 22 1/2W 10%	75	1	R110	RESISTOR, 510, 1/2W, 5%	27
1	T401	TRANSFORMER, HORIZ BUFFER	122	1	R506	RESISTOR, 560 1/2W 5%	74	2	R109, R220	RESISTOR, 100, 1/2W, 10%	26
1	T301	TRANSFORMER VERT-SCAN	121	2	R505, R513	RESISTOR, 750 1/2W 5%	73	1	R107	RESISTOR, 180, 1/2W, 10%	25
1	L404	COIL, HORIZ LINEARITY CONTROL	120	1	R504	RESISTOR, 56K 1/2W 10%	72	3	R106, R228, R320	RESISTOR, 680, 1/2W, 10%	24
2	L403A, L403B	COIL, YOKE	119	1	R503	RESISTOR, 1K, 2W, POT.	71	2	R105, R112	RESISTOR, 330, 1/2W, 10%	23
1	L402	COIL, CONTROL WIDTH	118	1	R502	RESISTOR, 33K 1/2W, 10%	70	4	R104, R208, R214, R216	RESISTOR, 1K, 1/2W, 10%	22
1	L401	COIL HORIZ FREQ	117	1	R426	RESISTOR, 3.9K, 1/2W, 10%	69	1	R103	RESISTOR, 20K, 1/2W, 5%	21
2	C508, C509	CAPACITOR, .01 uf 600V	116	1	R424	RESISTOR, 2MEG, 1/4W, 30% POT	68	1	R102	RESISTOR, 68K, 1/2W, 10%	20
2	C504, C506	CAPACITOR, .001 uf 500V	115	1	R423	RESISTOR, 5.1, 5W, WW	67	1	R101	RESISTOR, 75, 1W, 5% OPTIONAL TERMINATOR	19
1	C503	CAPACITOR, 3500 uf 50V	114	1	R422	RESISTOR, 180, 2W, 10%	66	1	Q502	TRANSISTOR, 2N3053	18
1	C502	CAPACITOR, .001 uf 1KV	113	1	R421	RESISTOR, 330, 2W, 10%	65	1	Q501	TRANSISTOR, MJE3055	17
1	C501	CAPACITOR, 100 uf 50V	112	1	R420	RESISTOR, 5.6K, 1/2W, 10%	64	1	Q404	TRANSISTOR, 2N3731	16
1	C427	CAPACITOR, .01 uf 500V	111	1	R419	RESISTOR, 1K 1/2W, 5%	63	1	Q403	TRANSISTOR, 2N3567	15
1	C424	CAPACITOR, 4 uf 200V	110	1	R418	RESISTOR, 18K 1/2W, 5%	62	2	Q401, Q402	TRANSISTOR, 2N3693	14
1	C423	CAPACITOR, .033 uf 200V	109	1	R417	RESISTOR, 10K, 1/2W, 5%	61	1	Q303	TRANSISTOR, 2N3730	13
1	C419	CAPACITOR, 250 uf 16V	108	1	R416	RESISTOR, 250, 1/4W, POT	60	1	Q301	TRANSISTOR, 2N3638	12
1	C418	CAPACITOR, .056 uf 100V	107	1	R415	RESISTOR, 2.2K 1/2W, 5%	59	1	Q105	TRANSISTOR, 2N3947	11
2	C416, C417	CAPACITOR, 470 pf 500V	106	1	R414	RESISTOR, 15K 1W, 10%	58	1	Q104	TRANSISTOR, SE-7055	10
1	C413	CAPACITOR, .068 uf 100V	105	2	R404, R406	RESISTOR, 47K, 1/2W, 5%	57	3	Q102, Q203, Q302	TRANSISTOR, 2N3906	9
1	C412	CAPACITOR, .0039 uf 100V	104	2	R402, R403	RESISTOR, 22K 1/2W, 10%	56	8	Q101, Q201, Q202, Q204, Q205, Q503, Q504, Q505	TRANSISTOR, 2N3904	8
2	C411, C414	CAPACITOR, 3 uf 200V	103	2	R401, R409	RESISTOR, 33K, 1/2W, 5%	55	2	CR502, CR503	DIODE SILICON 1N4720	7
				1	R319	RESISTOR, 27, 1/2W, 10%	54	1	CR501	DIODE, ZENER 5-1V, 1N5231	6
3	C404, C410, C420	CAPACITOR, .0022 uf 100V	101	1	R318	RESISTOR, 8.2K 1W, 5%	53	1	CR406	DIODE, SELENIUM	5
2	C401, C402	CAPACITOR, .0012 uf 500V	100	1	R317	RESISTOR, 200, THERMISTOR	52	1	CR404	DIODE, ZENER, 12V 1N4742	4
1	C309	CAPACITOR, 25 uf 16V	99	1	R316	RESISTOR, 390, 1/2W, 10%	51	1	CR405	DIODE SILICON	3
1	C308	CAPACITOR, .01 uf 200V	98	1	R314	RESISTOR, 250, 1/4W, POT. DUAL	50	3	CR201, CR401, CR402	DIODE SILICON, 1N4092	2
1	C307	CAPACITOR, 75 uf, 15V	97	1	R313	RESISTOR, 56, 1/2W, 10%	49	5	CR101, CR301, CR403, CR601, CR602	DIODE, SILICON, 1N4384	1
3	C306, C415, C421	CAPACITOR, .1 uf 100V	96	1	R312	RESISTOR, 100, 1/4W, POT	48				
2	C304, C409	CAPACITOR, .047 uf 100V	95	1	R311	RESISTOR, 10K, 1/4W, POT. DUAL	47				
1	C407	CAPACITOR, .47 uf 75V	94	1	R308	RESISTOR, VDR, 1/2W, 10%	46				
3	C301, C405, C406	CAPACITOR, .02 uf 100V	93	1	R306	RESISTOR, 1.8K, 1/2W, 10%	45				
3	C204, C302, C403	CAPACITOR, .05 uf 100V	92	2	R305, R315	RESISTOR, 4.7K, 1/2W, 10%	44				
1	C202	CAPACITOR, .22 uf 100 V	91	2	R301, R415	RESISTOR, 1.5K, 1/2W, 10%	43				
3	C201, C303, C310	CAPACITOR, 4 uf 25V	90	1	R215	RESISTOR, 91K, 1/2W, 5%	42				
1	C109	CAPACITOR, 680 pf 100V	89	1	R211	RESISTOR, 470, 1/2W, 10%	41				
1	C108	CAPACITOR, .47 uf 200V	88	1	R210	RESISTOR, 51K, 1/2W, 5%	40				
1	C107	CAPACITOR, 15 uf 25V	87	3	R209, R410, R414	RESISTOR, 3.3K, 1/2W, 10%	39				
1	C105	CAPACITOR, 47 pf 500V	86	2	R204, R416	RESISTOR, 270, 1/2W, 10%	38				
3	C103, C104, C425	CAPACITOR, 100 uf 25V	85	5	R203, R207, R218, R307, R309	RESISTOR, 1.2K, 1/2W 10%	37				
1	C102	CAPACITOR, 22 pf 100V	84	3	R202, R206, R212	RESISTOR, 5.1K, 1/2W, 5%	36				

FIRST USED ON OPTION/MODEL		VT05	
UNLESS OTHERWISE SPECIFIED DIMENSION IN INCHES.	DRN <i>CEM/ey</i>	DATE 6-14-71	 digital EQUIPMENT CORPORATION MAYNARD, MASSACHUSETTS
TOLERANCES	CHK <i>CEM/ey</i>	DATE 12-14-71	
DECIMALS	ENG. <i>CEM/ey</i>	DATE 7-20-71	
ANGLES	PROJ. ENG. <i>CEM/ey</i>	DATE 7-20-71	
REMOVE BURRS AND BREAK SHARP CORNERS SURFACE QUALITY	DATE 7-15-71	DATE 7-15-71	TITLE
MATERIAL	NEXT HIGHER ASSY.		VT05 RASTER DISPLAY
FINISH	A-ML-VT05-0	SIZE CODE	NUMBER
SCALE	2 OF 2	DCS	3010326-0-2
SHEET		DIST.	REV. B

REV.	
CHANGE NO.	
REVISIONS	
CHK	

This drawing and specifications, herein, are the property of Digital Equipment Corporation and shall not be reproduced or copied or used in whole or in part as the basis for the manufacture or sale of items without written permission.



IC DESCRIPTION	
SYMBOL	TYPE
Y1, Y2	7404
W1, W3	7408
W2	7400
R.O.M.	0017
TRANS.	-4

CAUTION: DIODE CR7 MUST BE ADDED IF SMC (STANDARD MICROSYSTEMS) ROM KR 2376-17 IS USED.

QTY.	DESCRIPTION	PART NO.	ITEM NO.
	PARTS LIST		
	digital EQUIPMENT CORPORATION MAYNARD, MASSACHUSETTS		
	TITLE DEC KEYBOARD # 2		
	SIZE CODE DCS	NUMBER 5409945-0-1	REV. F
	SHEET / OF /		

REV.	CHANGE NO.	DATE	BY	CHKD.
1	5409917-00001 A	9-27-71	M. J. HESS	
2	5409917-00002 B	10-1-72	J. BEATTY	
3	5409917-00003 C	10-15-72	J. BEATTY	
4	5409917-00004 D	10-15-72	J. BEATTY	
5	5409917-00005 E	10-15-72	J. BEATTY	
6	5409917-00006 F	10-15-72	J. BEATTY	
7	5409917-00007 G	10-15-72	J. BEATTY	
8	5409917-00008 H	10-15-72	J. BEATTY	
9	5409917-00009 I	10-15-72	J. BEATTY	
10	5409917-00010 J	10-15-72	J. BEATTY	

DIGITAL EQUIPMENT CORPORATION
MAYNARD, MASSACHUSETTS

PARTS LIST

MADE BY D. SCHMIDT
 DATE 1-4-72
 ENG G. Beckner 3-14-72
 DATE 3-14-72
 CHECKED K. RUSS
 DATE 1-17-72
 PROD
 DATE 3-14-72
 SECTION
 ISSUED SECT.

ITEM NO.	DWG NO. / PART NO.	DESCRIPTION	SECTION	ISSUED SECT.	QUANTITY / VARIATION
1	D-IA-5009960-0-0	KEYBOARD P.C. BOARD (D4455E)			
2	B-MD-7409524-0-0	TORSION BAR HINGE (A1012)			
3	B-MD-7409519-0-0	TORSION BAR (B2007-4)			
4	D-MD-7409523-0-0	9 KEY SPACE BAR (D4447)			
5	C-MD-7409518-0-0	SHART CAP (B2008)			
6	D-MD-7409522-0-0	SPACE BAR GUIDE (C3020)			
7	9009160	SPRING (HEAVY) (C017)			
8	D-MD-7409517-0-0	13° SPACE BAR INSERT SHAFT (B2097)			
9	C-MD-7409525-0-0	KEY GUIDES (D4073-1)			
10	C-MD-7409516-0-0	COUPLING PLATE (B2004)			
11	D-PS-9009148-0-0	KEY CAP SINGLE (D4074)			
12	B-MD-7409514-0-0	DUST COVER (R.H.)			
13	B-MD-7409515-0-0	DUST COVER (L.H.)			
14	B-MD-7409540-0-0	DUST COVER (SINGLE CHANNEL)			
15	9009162	DRIVE SCREW			
16	B-MD-7409538-0-0	CHANNEL SPACER (A1149)			
17	D-MD-7409528-0-0	STEPPED SHAFT (C3061)			
18	D-MD-7409555-2-0	CHANNEL (ROW #1) (D4454)			
19	D-MD-7409535-0-0	CHANNEL ROW #2) (D4454)			
20	D-MD-7409556-0-0	CHANNEL (ROW #3) (D4454)			
21	D-MD-7409557-0-0	CHANNEL (ROW #4) (D4454)			
22	D-MD-7409558-0-0	CHANNEL (ROW #5) (D4454)			
TITLE	KEYBOARD ASSY				
ASSY NO.		D-AD-5409945-0-0		SIZE CODE	A PL
SHEET		1	OF	4	DIST.
NUMBER		5409945-0-		REV.	F 00003

DIGITAL EQUIPMENT CORPORATION
MAYNARD, MASSACHUSETTS

PARTS LIST

MADE BY D. SCHMIDT
 DATE 1-4-72
 ENG G. BECKNER
 DATE 3-14-72
 CHECKED K. RUSS
 DATE 1-17-72
 PROD
 DATE 3-14-72
 SECTION
 ISSUED SECT.

ITEM NO.	DWG NO. / PART NO.	DESCRIPTION	SECTION	ISSUED SECT.	QUANTITY / VARIATION
23	C-AD-7008780-0-0	LED CAP ASSY			
24	9009161	SPRING (LIGHT) (C015)			
25	9006505-	POP RIVETS			
26	9006002-4	SL BINDER HD SCR. #2-56 X 5/16 LG			
27	9006001+4	SL BINDER HD SCR. #2-56 X 1/4 LG			
28	11-00114	DEC D664 DIODE			
29	11-04868	MIN. SLIDE SWITCH DIODE			
30	12-10919	MIN. SLIDE SWITCH STACK POLE			
31	13-01424	RES. 5% 1/4W 680Ω			
32	13-00439	RES. 5% 1/4W 3.3K			
33	13-01327	RES. 5% 1/4W 68K			
34	13-10867	RES. 5% 1/4W 680K			
35	13-00365	RES. 5% 1/4W 1K			
36	13-02466	RES. 5% 1/4W 100K			
37	13-00295	RES. 5% 1/4W 330 OHM			
38	13-00447	RES. 5% 1/4W 4.7K			
39	13-02091	RES. 5% 1/4W 330Ω			
40	16-11317	CHOKE 470 UH 5%			
41	19-10155	DEC 7408			
42	19-05575	DEC 7400			
43	19-09686	DEC 7404			
44	2111047	R.O.M. GI 0017			
TITLE	KEYBOARD ASSY				
ASSY NO.		D-AD-5409945-0-0		SIZE CODE	A PL
SHEET		2	OF	4	DIST.
NUMBER		5409945-0-		REV.	F 00003

**DIGITAL EQUIPMENT CORPORATION
MAYNARD, MASSACHUSETTS**

PARTS LIST

MADE BY D. SCHMIDT	CHECKED K. RUSS	SECTION
DATE 1-4-72	DATE 1-17-72	
ENG G BECKNER	PROD	ISSUED SECT.
DATE 3-14-72	DATE 3-14-72	

ITEM NO.	DWG NO. / PART NO.	DESCRIPTION	QUANTITY	VARIATION
45	10-10866-1	1 MFD CAP @25 VOLTS	1	C9
46	10-10866-2	10 MFD CAP @ 25 VOLTS	1	C10
47	10-01765	.005 MFD CAP DISC	21	C1, C12, C11, C4 (19)
48	10-00043	.001 MFD CAP DISC	1	C5
49	10-00021	220 P.F. CAP	1	C6
50	10-10873	.033 MFD CAP DISC CERM	3	C7 (3)
51	15-10948	NPN TRANSISTOR	58	Q3 (58)
52	15-10949	PNP TRANSISTOR	8	Q5 (8)
53	C-AD-7008779-0-0	TRANSFORMER ASSY	1	F1
54	12-10947	LSI/R.O.M. SOCKET	1	ROM
55	B-MD-7409532-0-0	SWITCH, SELECT	1	
56	90-09159	SELF TAP. PHILL. HD SCREW #4-40 X 3/16	2	
		LG. TYPE "F"		
57	1209941	BERG CONN	1	
58	1210025	IC SOCKET	1	
59	9105740-55	JUMPER WIRE 30 GA. KYNAR INS GRN	A/R	
60	10-00042	.001 MFD CAP, MICA	1	C1
REF	A-PS-3010166-0-0	KEYBOARD ASSY PURCHASED FROM 2ND SOURCE	-	
		VENDOR		

NOTE NUMBER IN PARENTHESES IN DESCRIPTION COLUMN INDICATES

CONTROL DEVICES PART # WASHER, INT TOOTH # 2

TITLE KEYBOARD ASSY

SIZE CODE	NUMBER	REV.	ECO NO
A PL	5409945-0-0	F	00003
SHEET	3	OF	4
DIST.			

**DIGITAL EQUIPMENT CORPORATION
MAYNARD, MASSACHUSETTS**

PARTS LIST

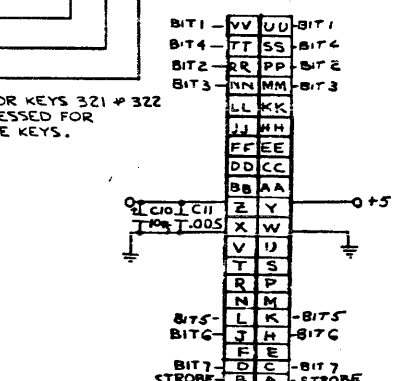
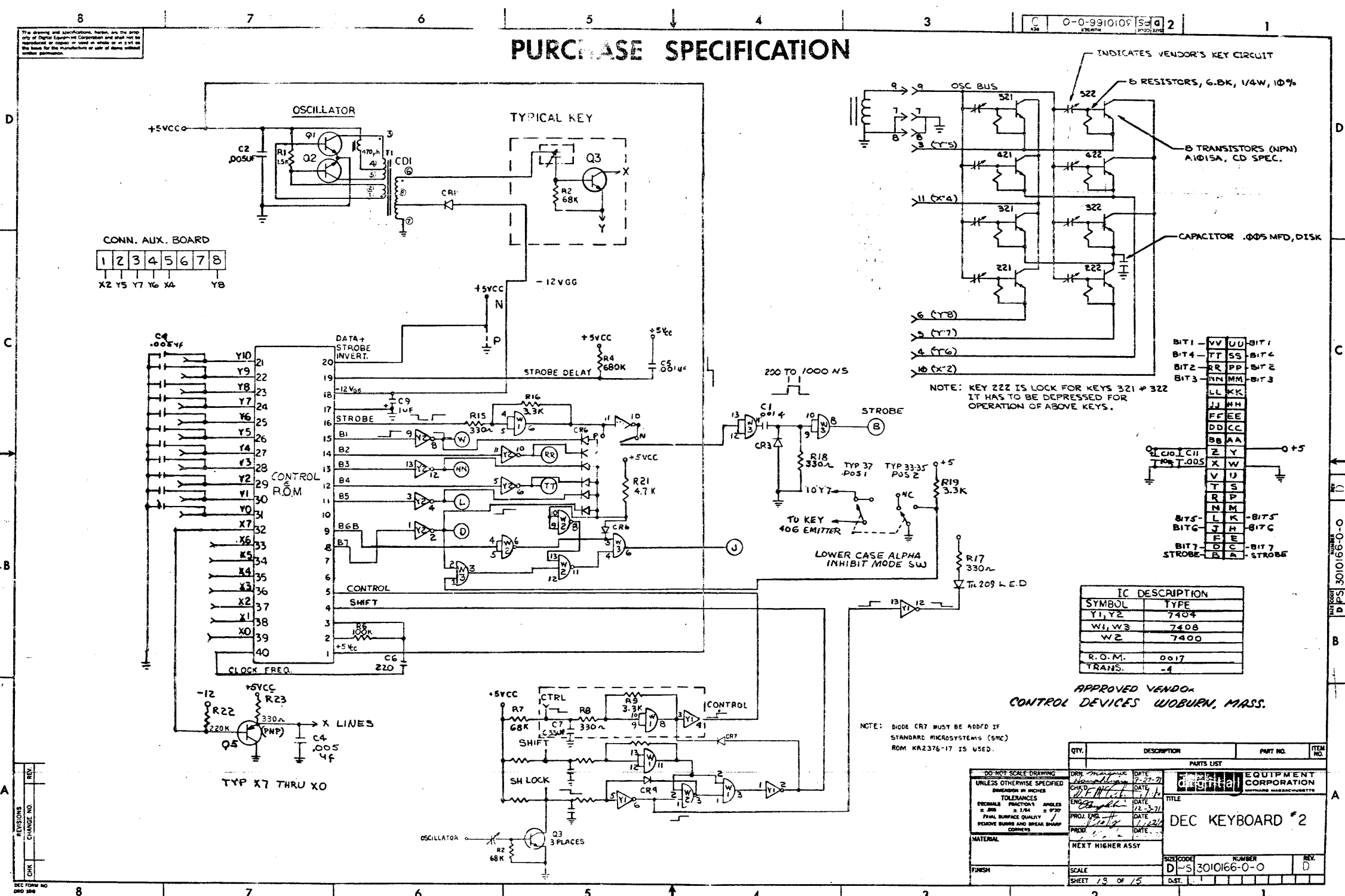
MADE BY D. SCHMIDT	CHECKED K. RUSS	SECTION
DATE 1-4-72	DATE 1-17-72	
ENG	PROD	ISSUED SECT.
DATE	DATE	

ITEM NO.	DWG NO. / PART NO.	DESCRIPTION	QUANTITY	VARIATION
45	15-09338	NPN TRANSISTOR MPS6531	2	Q1, Q2
46	13-02092	RES 5% 1/4W 220K	8	R22(7), R24
47	13-00391	RES 5% 1/4W 1.5K	1	R1

TITLE KEYBOARD ASSY

SIZE CODE	NUMBER	REV.	ECO NO
A PL	5409945-0-0	F	00003
SHEET	4	OF	4
DIST.			

PURCHASE SPECIFICATION



IC DESCRIPTION	
SYMBOL	TYPE
Y1, Y2	7404
W1, W3	7408
W2	7400
R.O.M.	0017
TRANS.	-4

APPROVED VENDOR
CONTROL DEVICES WOBURN, MASS.

NOTE: DIODE CR7 MUST BE ADDED IF STANDARD MICROSYSTEMS (5Vc) ROM KR2376-17 IS USED.

QTY.	DESCRIPTION	PART NO.	ITEM NO.
	PARTS LIST		
	DIGITAL EQUIPMENT CORPORATION		
	TITLE		
	DEC KEYBOARD #2		
	NEXT HIGHER ASSY		
	SIZE CODE	NUMBER	REV.
	D-5	3010166-0-0	D
	SCALE		
	SHEET 15 OF 15	DST.	

The drawing and specifications herein are the property of Digital Equipment Corporation and shall not be reproduced or used in whole or in part as the basis for the manufacture of any of items without written permission.

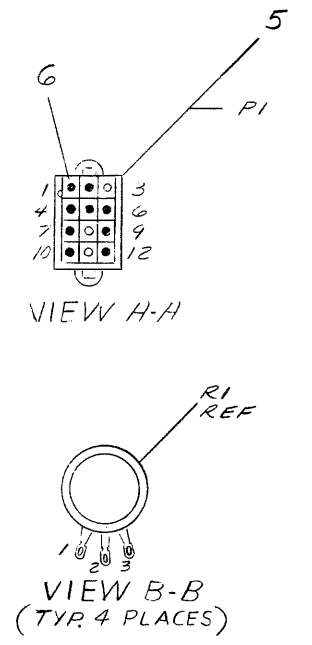
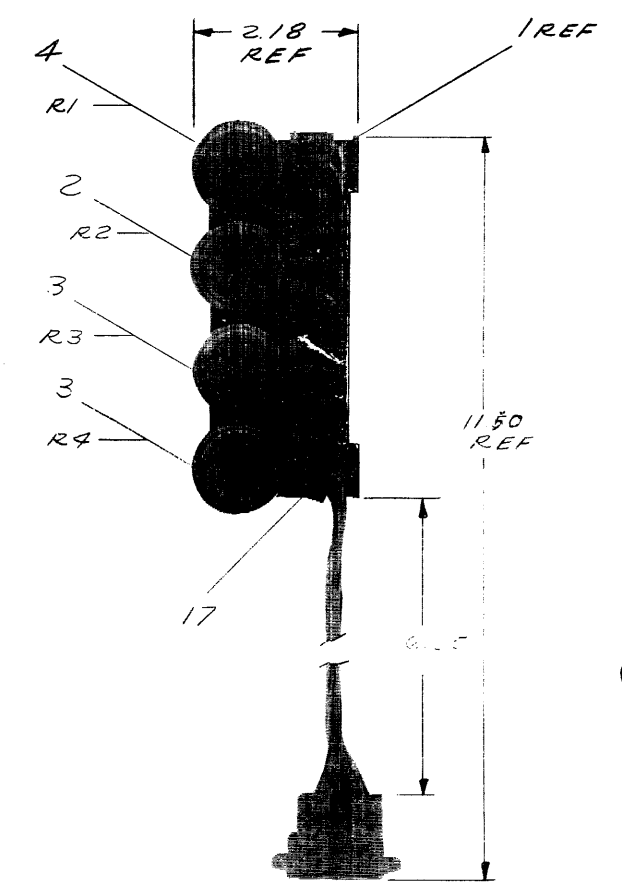
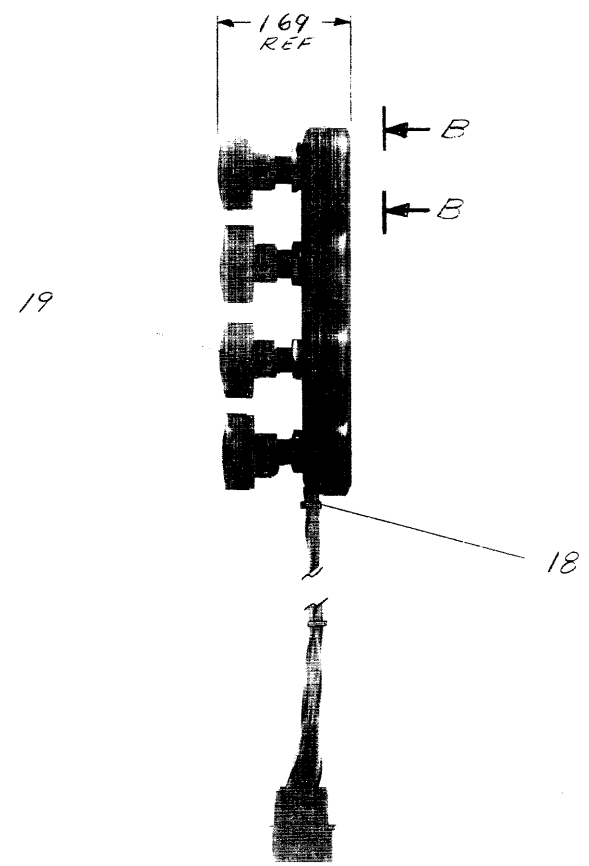
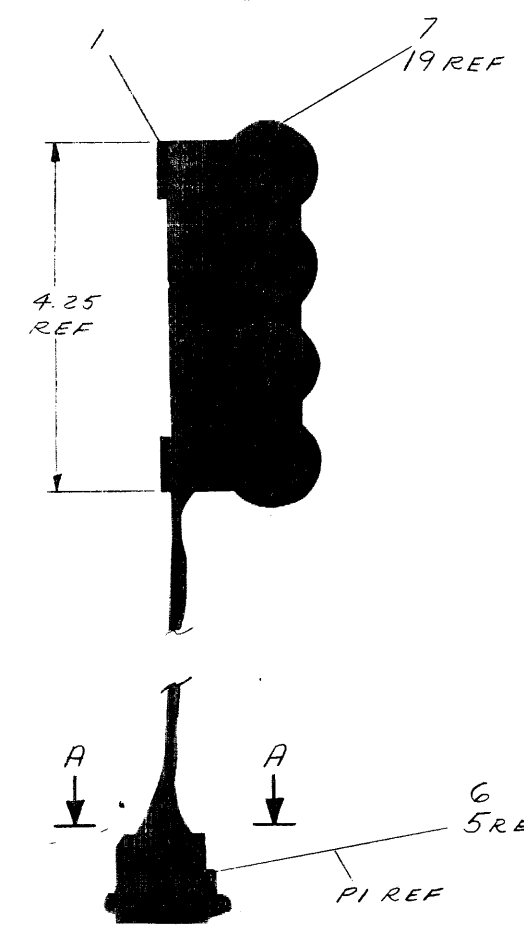
REV. 1
REVISIONS
CHANGE NO.
CHK
DEC FORM NO. 100

PART NO. PS 3010166-0-0

This drawing and specifications herein are the property of Digital Equipment Corporation and shall not be reproduced or copied or used in whole or in part as the basis for the manufacture or sale of items without written permission.

WIRE TABLE						
ITEM NO.	AWG	COLOR	FROM		TO	
			CONNECTION WITH	CONNECTION WITH	CONNECTION WITH	CONNECTION WITH
8	22	BLK	R1-1	*	R2-3	—
8	↑	BLK	R2-3	↑	P1-6	ITEM 6
16		WHT/BRN	R1-2		P1-2	↑
15		WHT/BLK	R1-3		P1-1	↑
14		WHT/RED	R2-1		P1-4	↓
13		WHT/ORN	R2-2		P1-5	ITEM 6
12		WHT/YEL	R3-2		R3-1	—
12		WHT/YEL	R3-1		P1-7	ITEM 6
11		WHT/GRN	R3-3		P1-9	ITEM 6
10		WHT/BLU	R4-2		R4-1	—
10	↓	WHT/BLU	R4-1	↓	P1-10	ITEM 6
9	22	WHT/VIO	R4-3	*	P1-12	ITEM 6

* THIS CONNECTION REQUIRES THE USE OF ITEM 17 & SOLDER.



REV.	CHANGE NO.	REVISIONS
1	1	PICHLER

FIRST USED ON OPTION/MODEL
V100

DO NOT SCALE DRAWING
UNLESS OTHERWISE SPECIFIED
DIMENSION IN INCHES
TOLERANCES
DECIMALS FRACTIONS ANGLES
± .005 ± 1/64 ± 0°30'
FINAL SURFACE QUALITY
REMOVE BURRS AND BREAK SHARP CORNERS

QTY.	DESCRIPTION	PART NO.	ITEM NO.
PARTS LIST			
DRN	DATE 2-9-71	digital EQUIPMENT CORPORATION MAYNARD, MASSACHUSETTS	
CHK'D	DATE 2/11/71	TITLE POT ASSEMBLY	
ENG.	DATE 2-12-71	PROJECT ENG. DATE 2-6-71	
PROD.	DATE 3-4-71	NEXT HIGHER ASSY D-UA-V100-2-0	
FINISH		SCALE N/TITLE	SHEET OF
MATERIAL		SIZE CODE NUMBER REV.	DIAI 7007232-0-0

DIGITAL EQUIPMENT CORPORATION
MAYNARD, MASSACHUSETTS

PARTS LIST

MADE BY	DATE	CHECKED	SECTION
PROJ. NO.	DATE	DATE	1
ENG	DATE	PROD BY	ISSUED SECT.
DATE	DATE	DATE	1

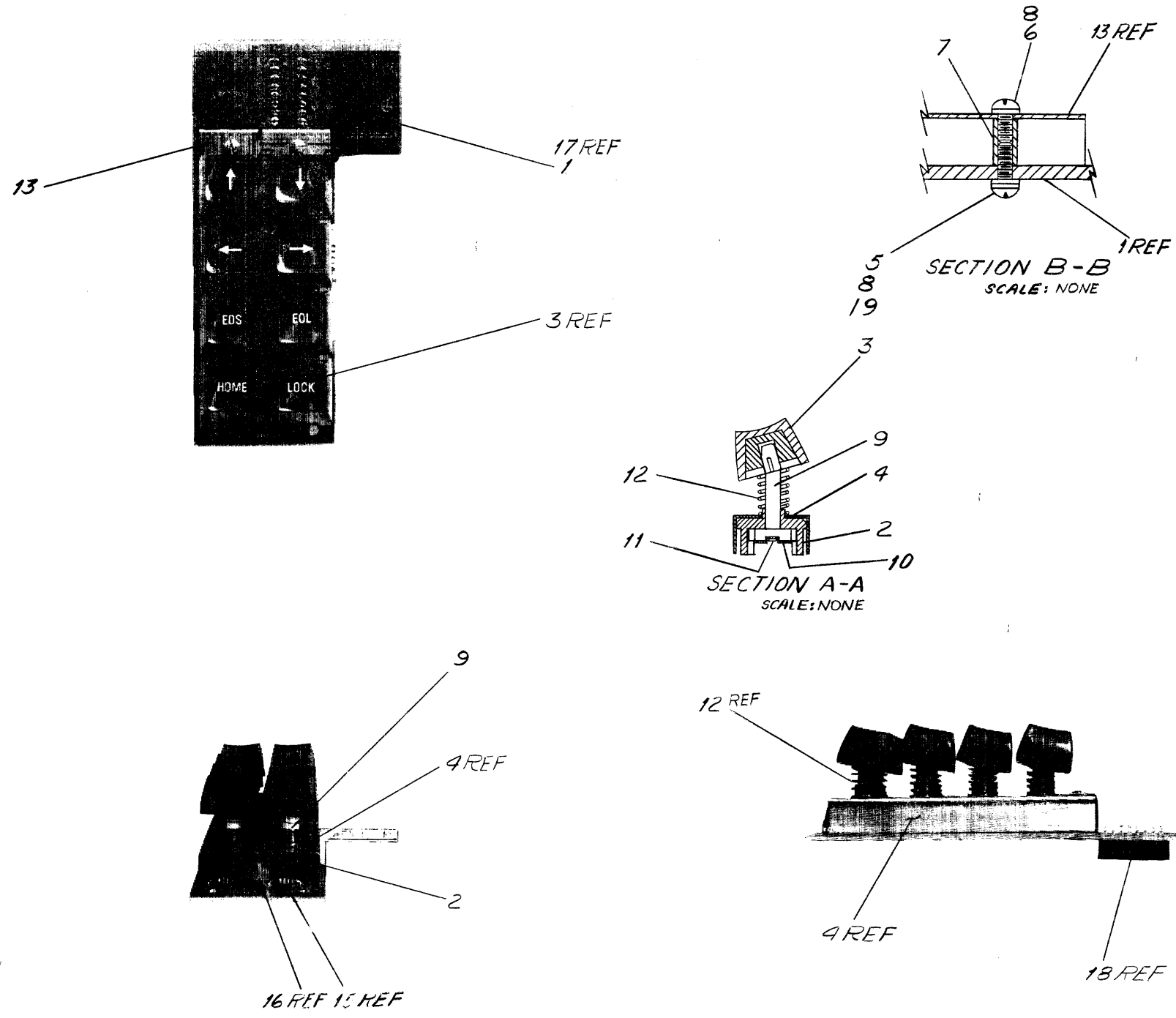
QUANTITY/VARIATION

ITEM NO.	DWG NO. / PART NO.	DESCRIPTION	QTY	UNIT	VAR	VAR	VAR	VAR	VAR	VAR	VAR	VAR	VAR	VAR	VAR	VAR	VAR	VAR
1	C-MD-7408564-0-0	BRACKET, POTS MTG	1															
2	1300370	POT 1K 2W 10%	1															
3	1302205	POT 10K 2W 10%	2															
4	1310311	POT 250K 2W 10%	1															
5	1209351-12	CONN MATE-N-LOC #1-480278-0	1															
6	1209378-01	PIN CON AMP #60620-4 LOOSE	9															
7	C-SC-1210227-0-0	KNOB, 1" DIA	4															
8	9107350-00	WIRE #22 AWG STRD TEF INS (BLK)	A/R															
9	9107400-97	WIRE #22 AWG STRD TEF INS (WHT/VIO)	A/R															
10	9107400-96	WIRE #22 AWG STRD TEF INS (WHT/BLU)	A/R															
11	9107400-95	WIRE #22 AWG STRD TEF INS (WHT/GRN)	A/R															
12	9107400-94	WIRE #22 AWG STRD TEF INS (WHT/YEL)	A/R															
13	9107400-93	WIRE #22 AWG STRD TEF INS (WHT/ORN)	A/R															
14	9107400-92	WIRE #22 AWG STRD TEF INS (WHT/RED)	A/R															
15	9107400-90	WIRE #22 AWG STRD TEF INS (WHT/BLK)	A/R															
16	9107400-91	WIRE #22 AWG STRD TEF INS (WHT/BRN)	A/R															
17	9107305-02	TUBING, HEAT SHRINKABLE	A/R															
18	9007031	TIE WRAP PANDUIT SSTIM	3															
19	9006291-10	SCR, SOC HD SET #6-32 X 1/4 LG	4															

TITLE	ASSY NO.	SIZE	CODE	NUMBER	REV.	ECO NO.
POT ASSY	D-AD-7007232-0-0	A	PL	7007232-0-0	A	VT05-00014
SHEET 1 OF 1	DIST.					

This drawing and specifications, herein, are the property of Digital Equipment Corporation and shall not be reproduced or copied or used in whole or in part as the basis for the manufacture or sale of items without written permission.

NOTES:
 1. FOR REFERENCE INFO REFER TO DWG. NO. D-AD-5909995-0-0

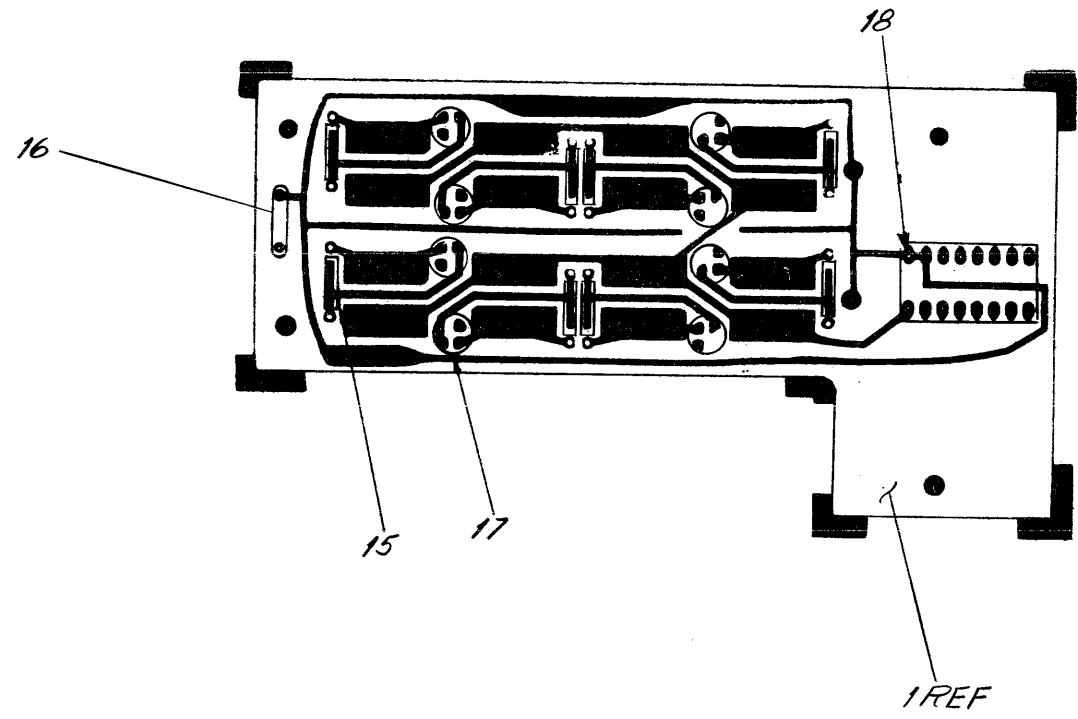


QTY.	DESCRIPTION	PART NO.	ITEM NO.
1	ETCH CIRCUIT BOARD	5010223	20
2	NYLON WASHER	9009263	19
1	SOCKET, 16 PIN IC	1210025	18
8	TRANSISTOR NPN	1510948	17
1	CAP. .005 UF	1001765	16
8	RES. 1/4 W 5% 68K (CARBON COMP)	1301327	15
REF	CURSOR BOARD (KEY BOARD)	D-CS-5910224-0-1	14
1	DUST COVER, SHORT	BMD-710521-0-0	13
8	SPRING, LIGHT	9009161	12
8	SCREW, DRIVE 3/16	9009162	11
8	PLATE, COUPLING	CMD-7109516-0-0	10
8	KEY SHAFT, STEPPED 90° TURN	D-MD-710500-0-0	9
4	WASHER, #2	9006631	8
2	STANDOFF, CHANNEL	BMD-71095380-0	7
2	SCREW, #2-56 X 1/4 LG	9006001-4	6
2	SCREW, #2-56 X 3/16 LG	9006002-4	5
2	CHANNEL MACHINING	CMD-710520-0-0	4
1 SET	KEYCAP, SINGLE	D-PS-9009118-63-0	3
8	KEY GUIDE	CMD-7109525-0-0	2
REF	P.C. BOARD, CURSOR BOARD	D-JA-5010223-0-0	1

FIRST USED ON OPTION/MODEL		PARTS LIST	
VT05	QTY.	DESCRIPTION	PART NO.
UNLESS OTHERWISE SPECIFIED DIMENSION IN INCHES. TOLERANCES			
DECIMALS	ANGLES	TITLE	
XXX .005	±0° 30'	CURSOR BOARD ASSY (KEYBOARD)	
XX .02		CORNERS SURFACE QUALITY	
X .1		REMOVE BURRS AND BREAK SHARP CORNERS SURFACE QUALITY	
MATERIAL		NEXT HIGHER ASSY.	
SEE PARTS LIST		D-UA-VT05-0-0	
FINISH		SCALE NONE	
		SHEET 1 OF 2	

REV.	CHANGE NO.	DATE	BY	CHKD.
A	0001	7-17-72	D. Schmidt	
		7-17-72	B. Stetson	
		7-31-72	John Bechman	
		7/31/72	G. W. Sellen	
		8/1/72	R. Davis	

Drawings and specifications herein are the property of Digital Equipment Corporation and shall not be reproduced, copied or used in whole or in part as the basis for the manufacture or sale of items without written permission.



FIRST USED ON OPTION/MODEL	QTY.	DESCRIPTION	PART NO.	ITEM NO.
PARTS LIST				
UNLESS OTHERWISE SPECIFIED DIMENSION IN INCHES. TOLERANCES		DRN <i>B. Schmidt</i> DATE 7-20-72	digital EQUIPMENT CORPORATION MAYNARD, MASSACHUSETTS	
DECIMALS	ANGLES	CHK'D <i>A. F. Smith</i> DATE 7-29-72		
.XXX = .005	± 0° 30'	ENG. <i>John R. Schmitt</i> DATE 7-31-72	TITLE CURSOR BOARD ASSY (KEYBOARD)	
.XX = .02		PROJ. ENG. <i>D. W. Solder</i> DATE 7-11-72		
.X = .1		PROD. <i>K. Ooms</i> DATE 9-15-72	NEXT HIGHER ASSY.	
REMOVE BURRS AND BREAK SHARP CORNERS SURFACE QUALITY ✓				
MATERIAL		SCALE NONE	SIZE CODE	NUMBER
		SHEET 2 OF 2	D AD	5410224-0-0
FINISH			DIST.	REV. A

REVISIONS	REV.
CHANGE NO.	
CHK	