



DRWG NO.	REVLTR
K-WL-AA11-D-WL	E

REVISIONS			
REV LTR	ECO NO	DATE	ENG
A	AA11D-00005	6-24-71	W.L.
B	AA11D-00006	9-14-71	W.L.
C	AA11D-00007	1-24-72	W.L.
D	AA11D-00008	2-3-72	W.L.
E	AA11D-00009	10-4-73	W.L.

DRAWN <i>Kalichman</i> DATE 11-4-70		TITLE		WIRE LIST	
CHECKED <i>K. P. Jones</i> DATE 11-12-70		FOR		TAPE #	FILE *
ENG <i>W.L.</i> DATE 11-12-70		SIZE	CODE	DWG. NO.	REV LTR
PROJ. ENG. <i>K.H. Jones</i> DATE 11-12-70		K	WL	AA11-D-WL	E
DATE <i>11-12-70</i>		SCALE	SHEET / OF /		DIST.

DRWG NO	REVLTR
K-WL-AAII-D-WL	F

REVISIONS			
REV LTR	ECO NO	DATE	ENG
A	AAID-00005	6-24-71	<i>[Signature]</i>
B	AAID-00006	9-14-71	<i>[Signature]</i>
C	AAID-00007	1-24-72	<i>[Signature]</i>
D	AAID-00008	2-8-72	<i>[Signature]</i>
E	AAID-00009	10-4-73	<i>[Signature]</i>
F	AAID-00011	2-15-74	<i>[Signature]</i>

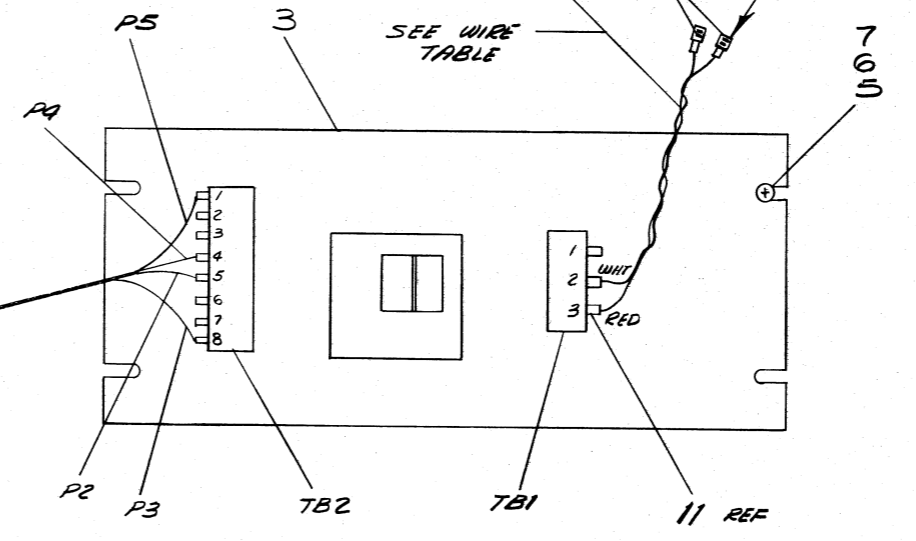
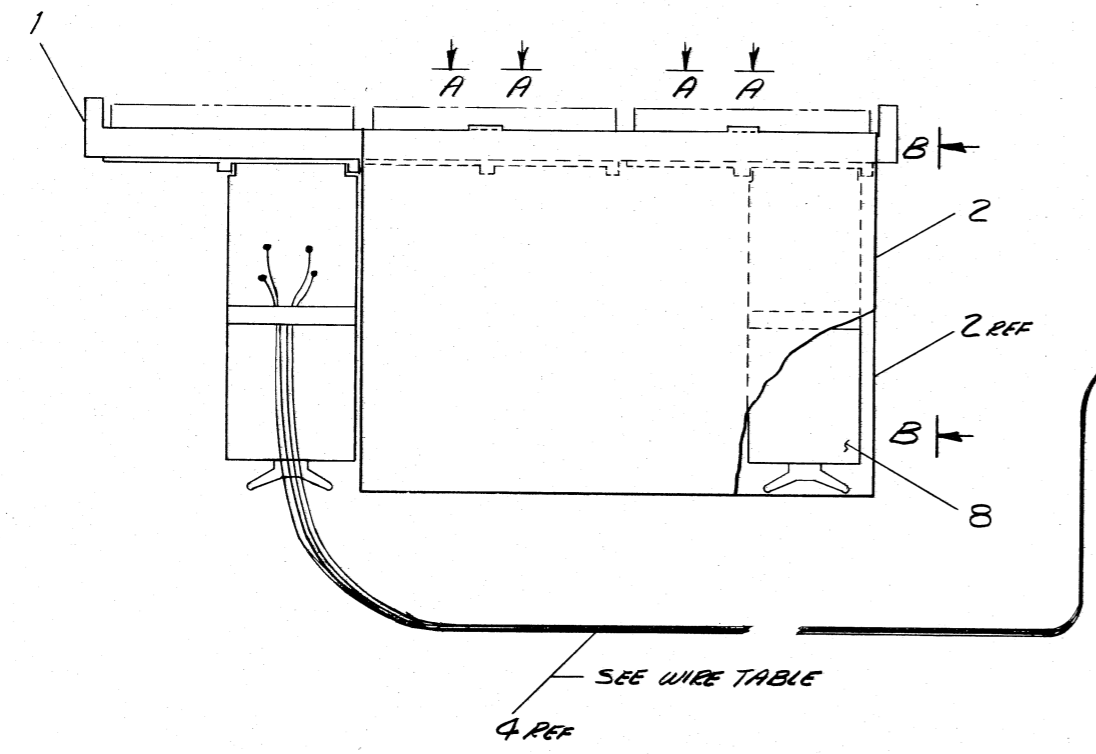
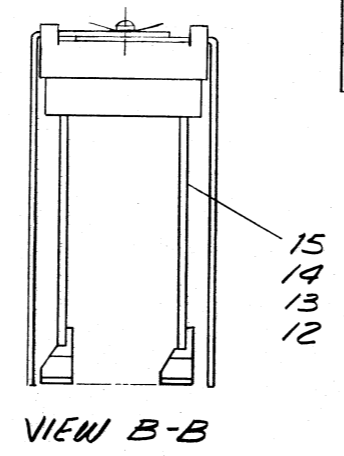
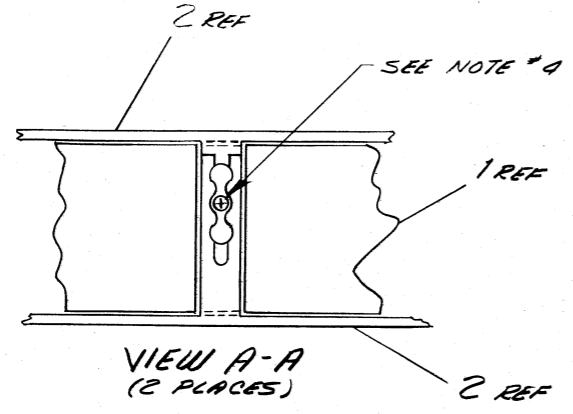
DRAWN <i>K. Buss</i>	DATE 11-4-70		TITLE WIRE LIST		
CHECKED <i>K. Buss</i>	DATE 11-12-70		FOR TAPE # FILE *		
ENG <i>R. Pogue</i>	DATE 11-12-70		ASSY NO	SIZE CODE DWG. NO.	REV LTR
PROJ ENG <i>R. Pogue</i>	DATE 11-12-70			K WL AAII-D-WL	F
PROD <i>A. Heisch</i>	DATE 11-12-70		SCALE	SHEET / OF /	DIST.

This drawing and specifications, herein, are the property of Digital Equipment Corporation and shall not be reproduced or copied or used in whole or in part as the basis for the manufacture or sale of items without written permission.

LEGEND	
NUMBER	VARIATION
AA11-DA	115V CONTROL ASSY
AA11-DB	230V CONTROL ASSY

WIREF TABLE						
ITEM NO	DESCRIPTION	COLOR	FROM		TO	
			CONNECTION	WITH	CONNECTION	WITH
4	#14	RED	P5 REF	---	TB2-1	---
	TWP	BRN	P4 REF	---	TB2-4	---
	#14	BLU	P3 REF	---	TB2-3	---
9	TWP	BRN	P2 REF	---	TB2-5	---
	#14	RED	TB1-3	ITEM 11	115V/230V PNL	ITEM 10
	TWP	WHT	TB1-2	ITEM 11	115V/230V PNL	ITEM 10

- NOTES:**
- POWER SUPPLY & LOGIC LOCATION IN CAB TO BE DETERMINED BY SYSTEM REQUIRED.
 - ITEMS "12 THRU "15 ARE OPTIONS TO AA11-D UNITS.
 - FOR LOCATION OF MODULES IN OPTIONS ITEM 12, 13, 14 AND 15 REFER TO D-MU-AA11-D-MU
 - TO INSTALL PROTECTION PLATE ITEM "2 BACK OFF GND SCREW ON BLOCK, SLIDE IN PLATES AND RETIGHTEN SCREW.
 - FOR DRAWING INDEX LIST REFER TO D-DI-AA11-D-1



CONNECT TO 115V OR 230V TABS ON POWER DISTRIBUTION PANEL IN CAB

REV	DATE	BY	CHK
1	1/15/70	GAGNE	COOK

FIRST USED ON OPTION/MOD AA11-D	QTY.	DESCRIPTION	PART NO.	ITEM NO.
UNLESS OTHERWISE SPECIFIED	DRY	DATE	PARTS LIST	
UNLESS OTHERWISE SPECIFIED	DATE	DATE	digital EQUIPMENT CORPORATION	
UNLESS OTHERWISE SPECIFIED	DATE	DATE	NORFOLK, MASSACHUSETTS	
TOLERANCES	ENG	DATE	TITLE	
FINAL SURFACE QUALITY	PROJ ENG	DATE	DIGITAL TO ANALOG CONTROL ASSY (AA11-D)	
REMOVE BURRS AND BREAK SHARP CORNERS	PROD	DATE	NEXT HIGHER ASSY	
MATERIAL	SCALE	SCALE	SIZE CODE	NUMBER
FINISH	SCALE	SCALE	DUA	AA11-D-0
	SHEET	OF	DIST.	REV
	1	1		A

SIZE CODE NUMBER DUA AA11-D-0