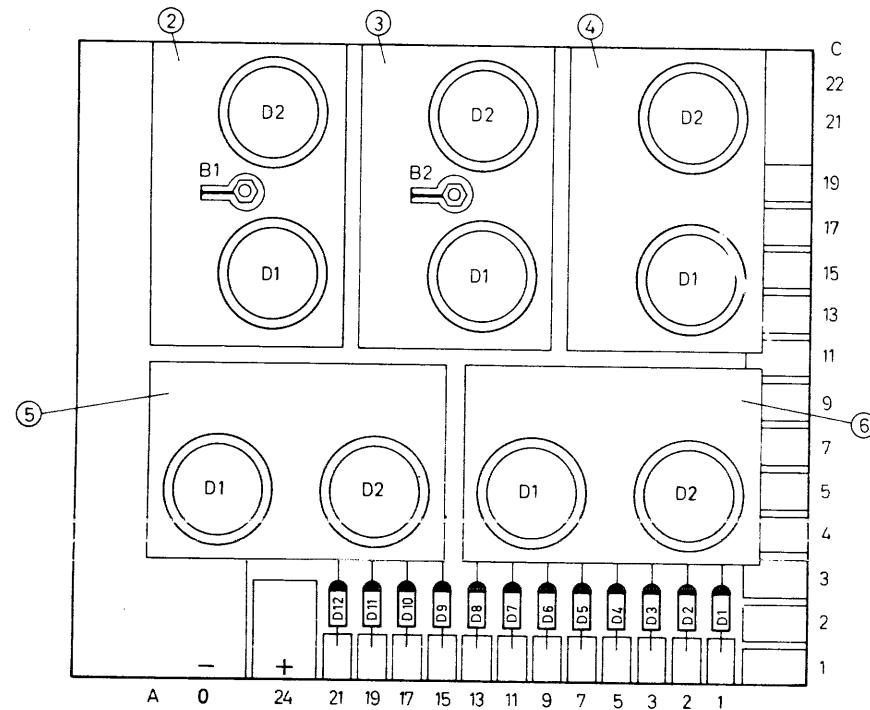


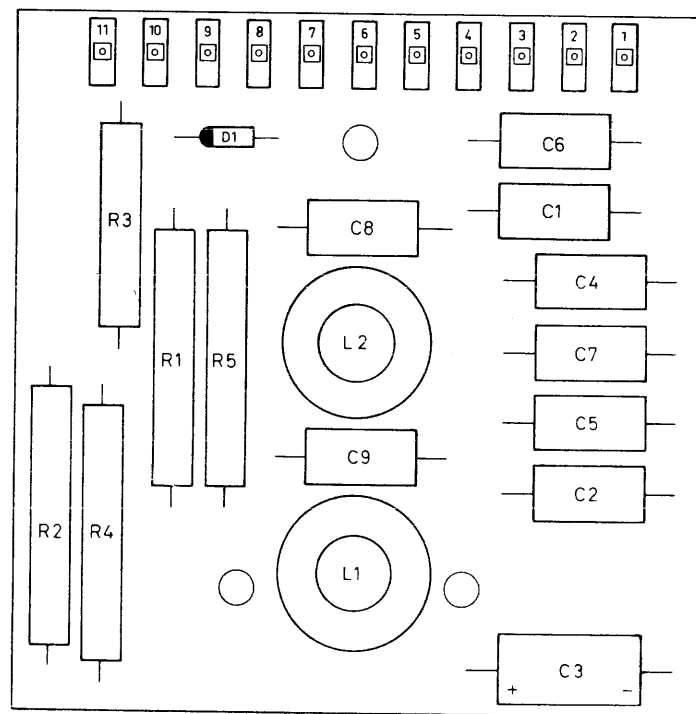
Signal connector P1

Pin	Signal	Pin	Signal
1	Ch1	14	-
2	Ch2	15	-
3	Ch3	16	-
4	Ch4	17	-
5	Ch5	18	-
6	Ch6	19	Ext
7	Ch7	20	Err
8	Ch8	21	TL
9	Ch9	22	+ 24 V
10	SD	23	-
11	PI	24	+ 6 V
12	PR	25	0 V
13	-	-	-

Diode board



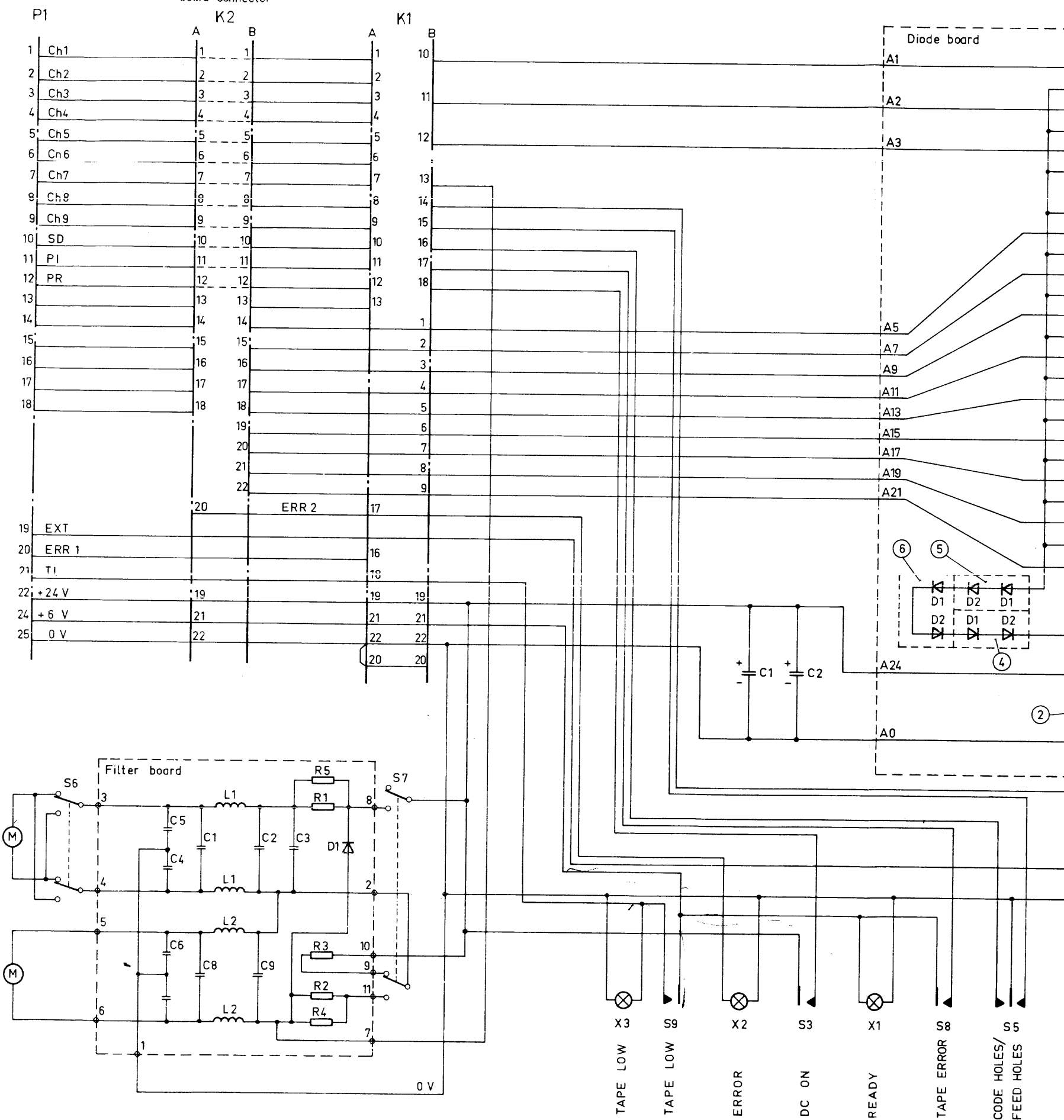
Filter circuit board



Signal connector

Bridging board or system adaptation board connector

Standard board connector



Signal connector P1

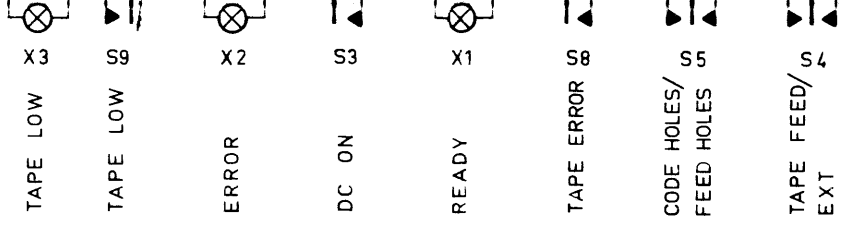
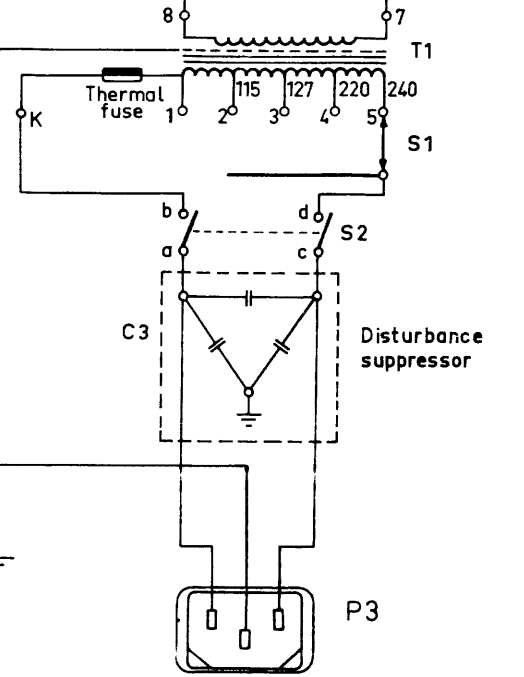
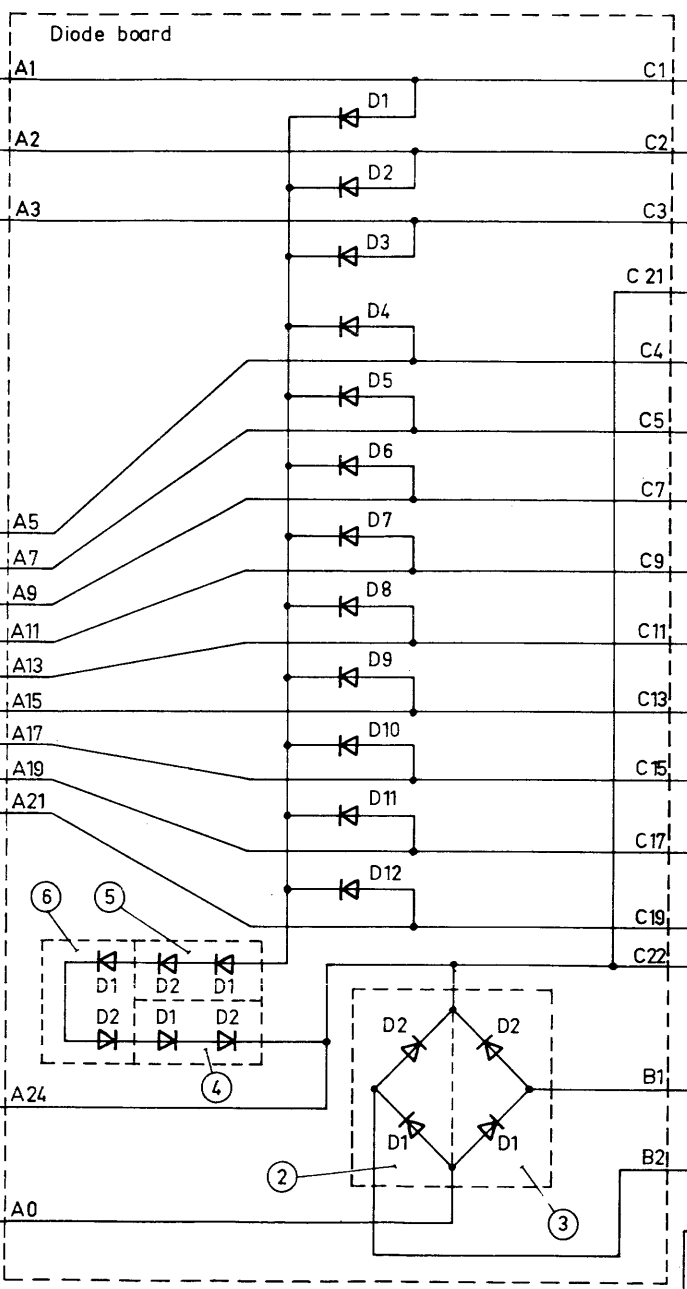
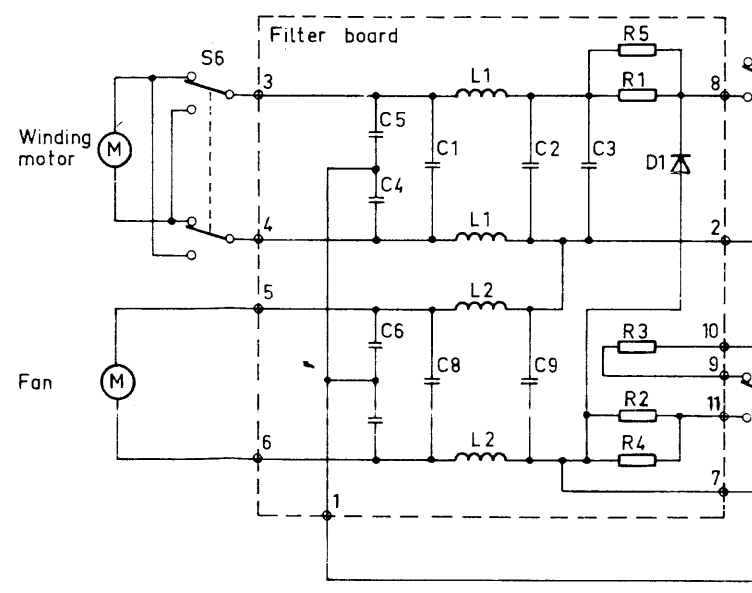
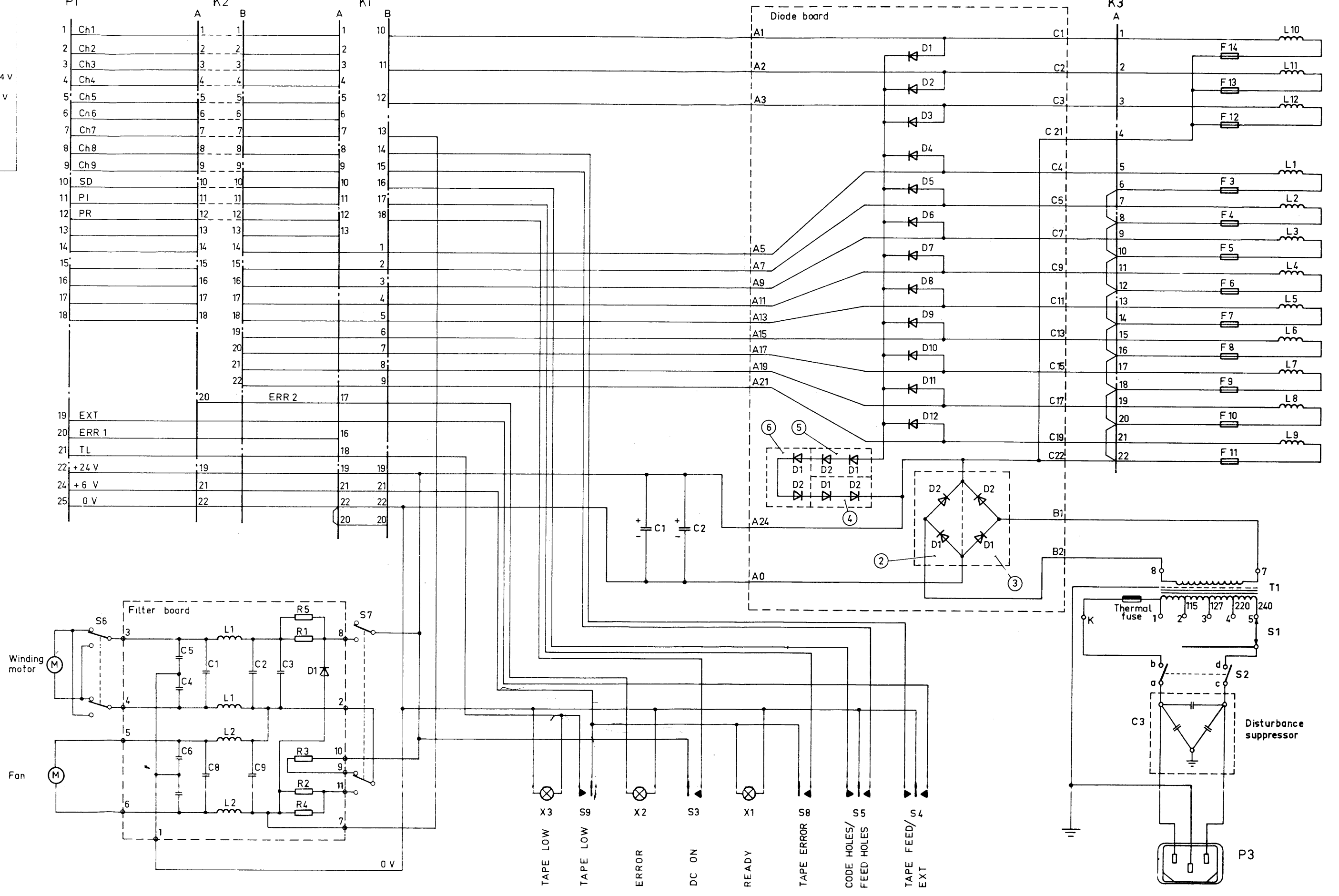
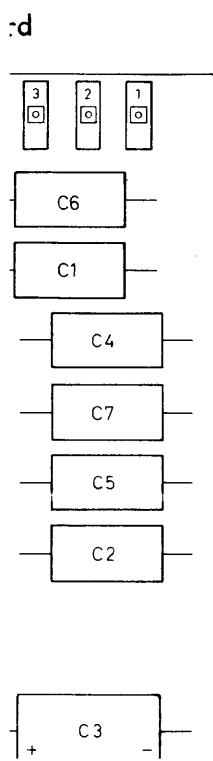
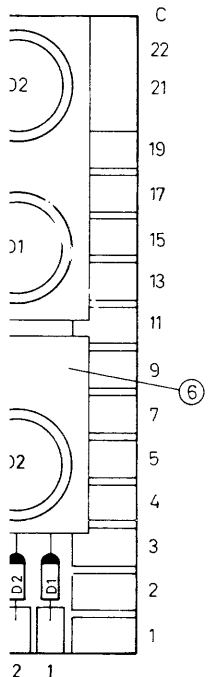
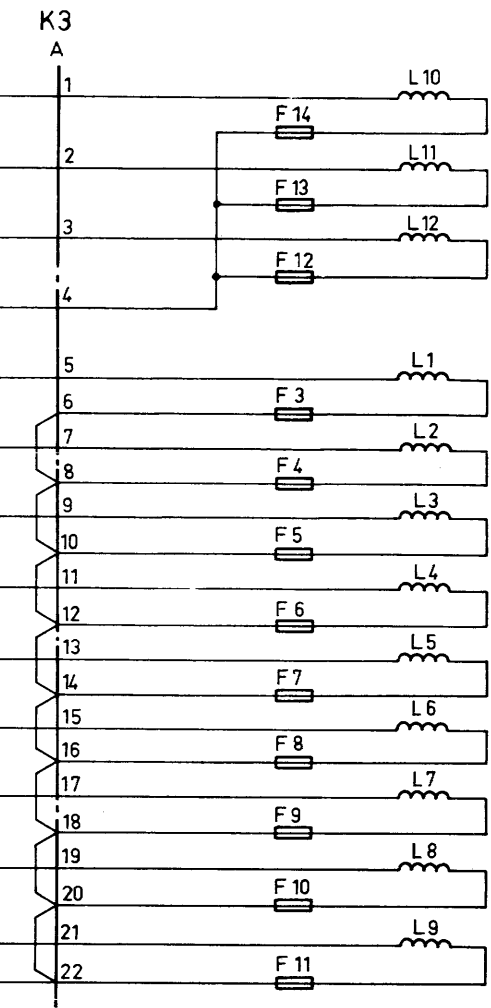
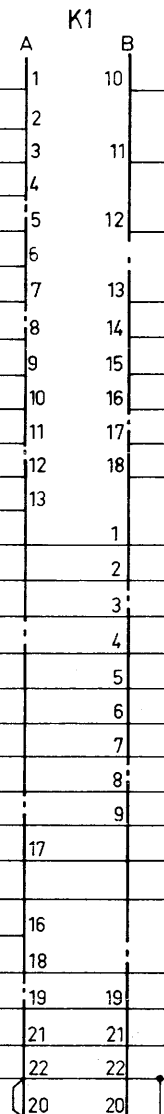
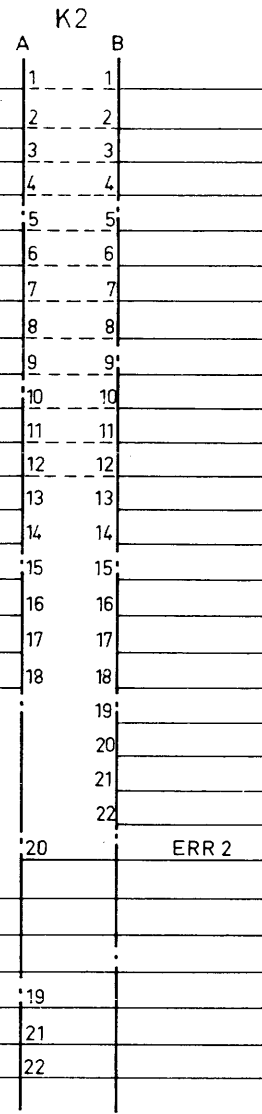
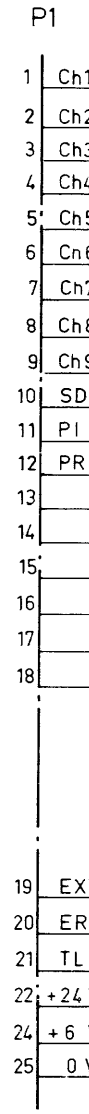
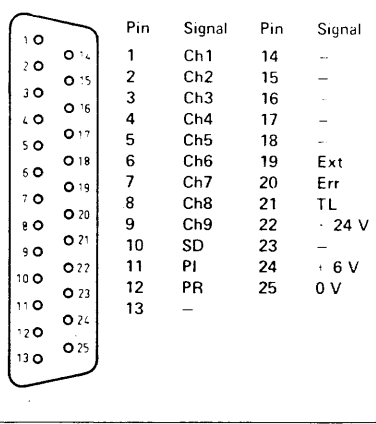
FACIT 4070

Signal connector

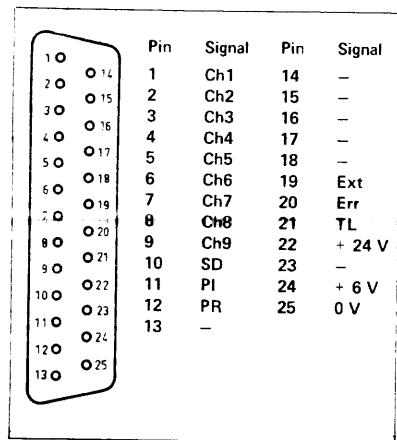
Bridging board or system adaptation board connector

Standard board connector

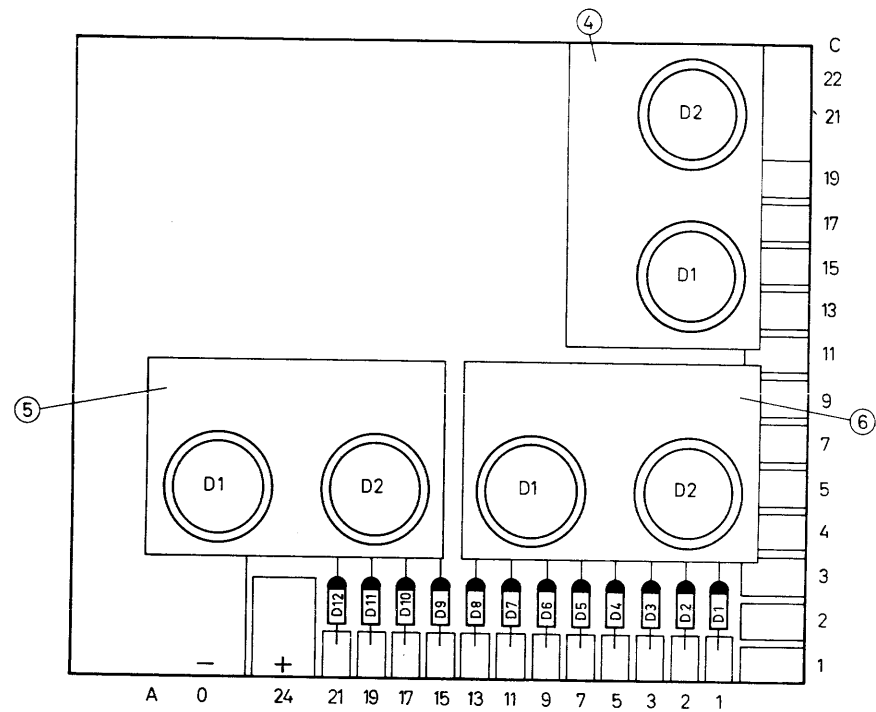
Punch/feed unit connector



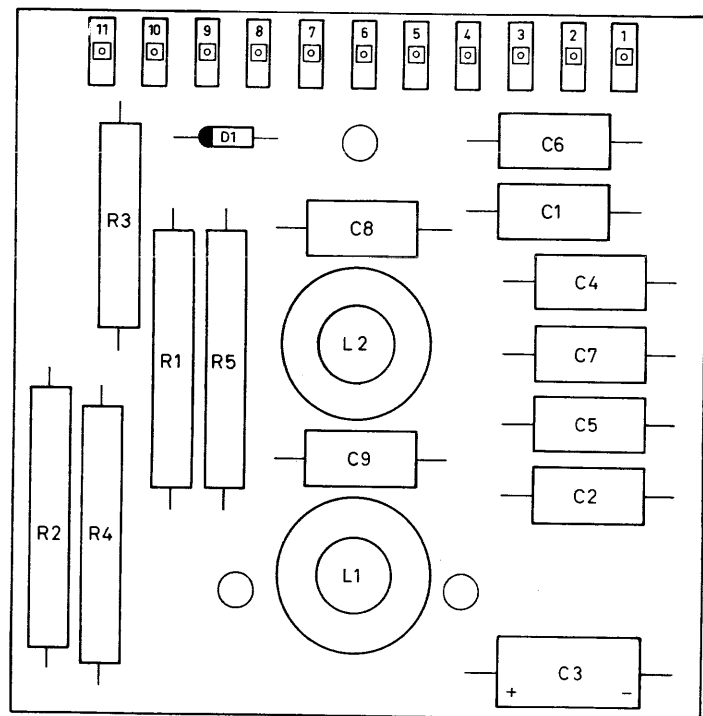
Signal connector P1



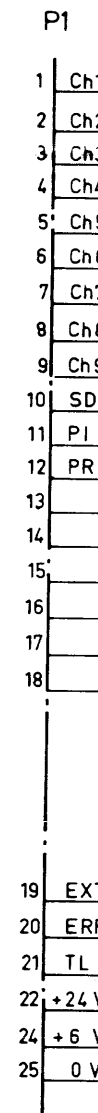
Diode board



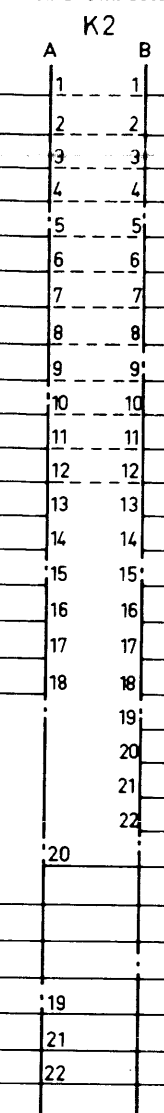
Filter circuit board



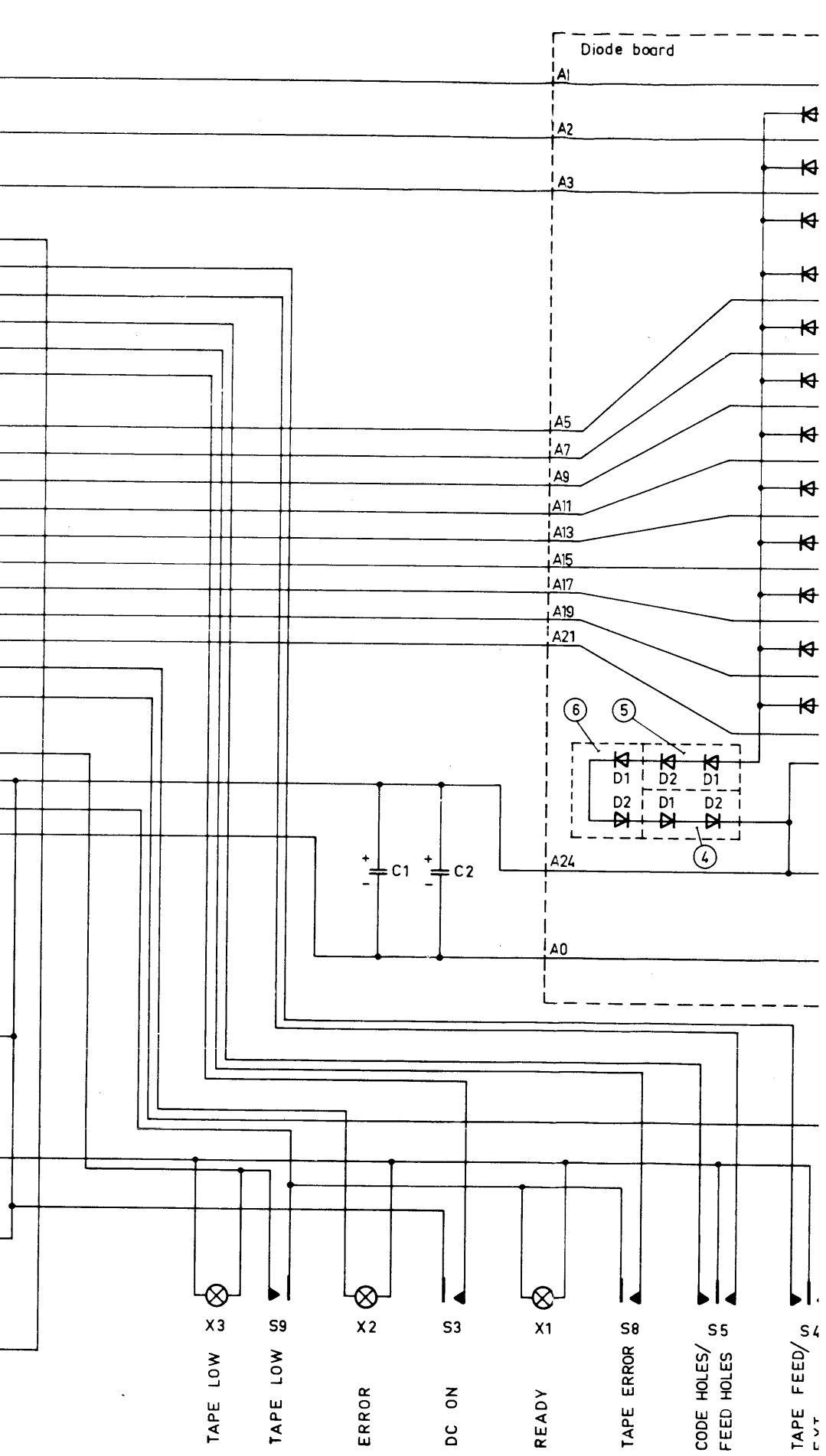
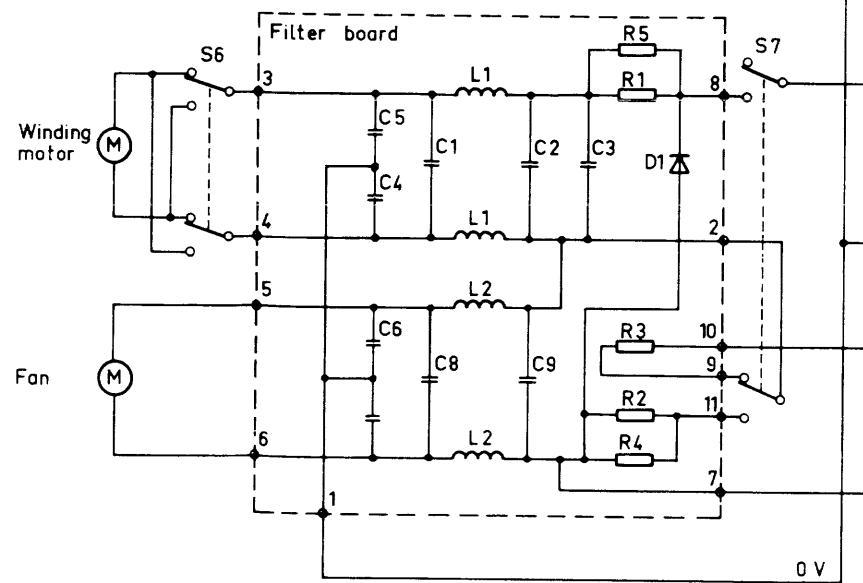
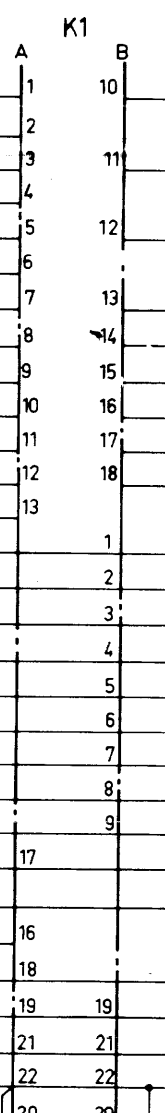
Signal connector



Bridging board or system adaptation board connector

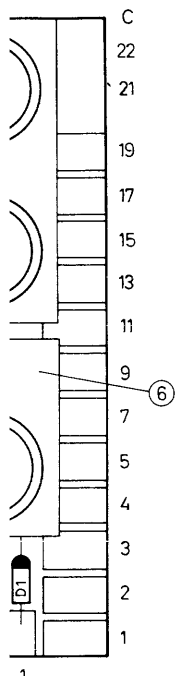


Standard board connector

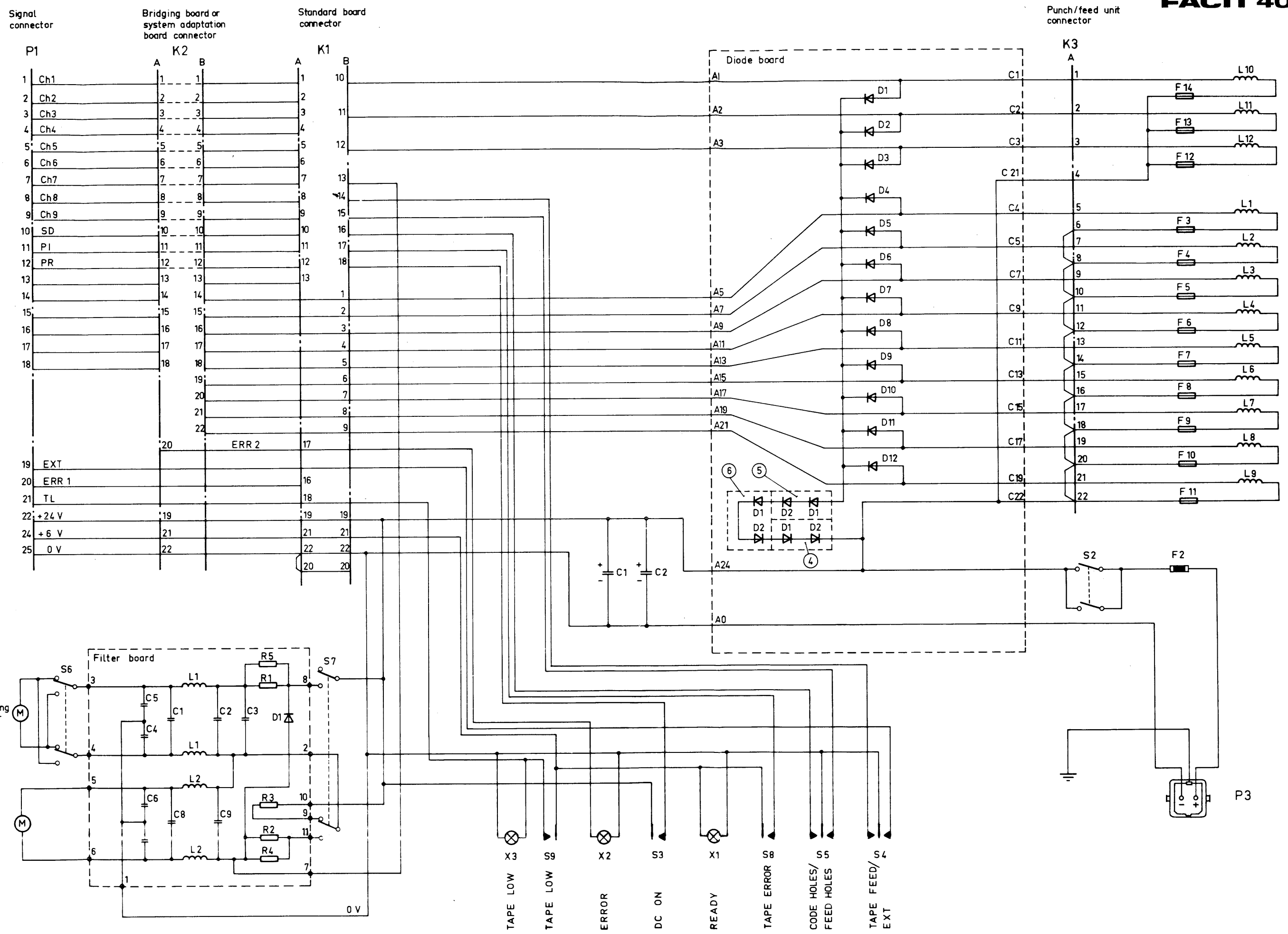
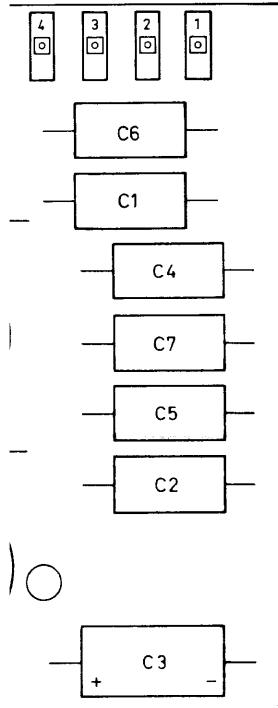


Signal connector P1

Pin	Signal	Pin	Signal
1	Ch1	14	-
2	Ch2	15	-
3	Ch3	16	-
4	Ch4	17	-
5	Ch5	18	-
6	Ch6	19	Ext
7	Ch7	20	Err
8	Ch8	21	TL
9	Ch9	22	+ 24 V
10	SD	23	-
11	PI	24	+ 6 V
12	PR	25	0 V
13	-	-	-

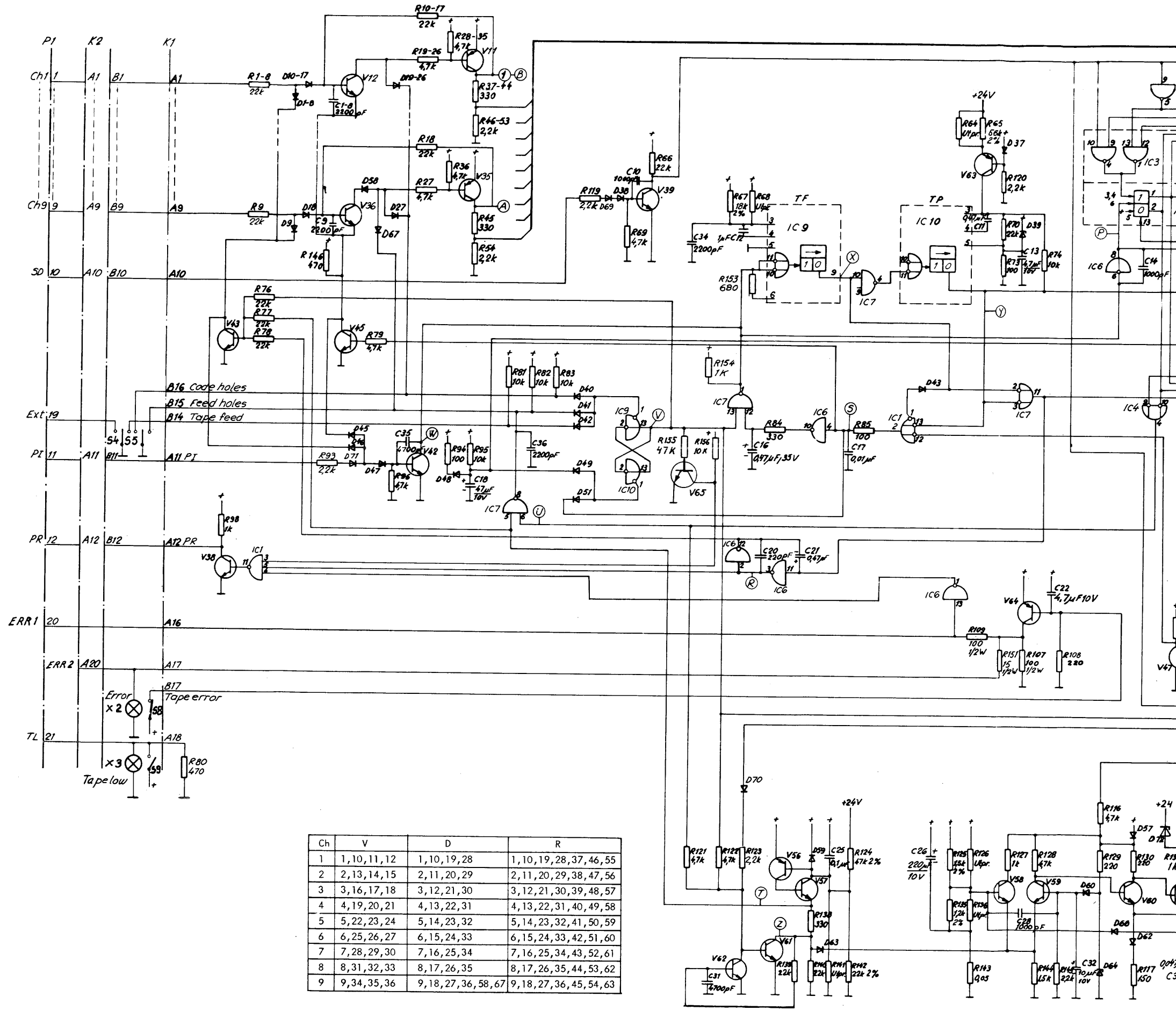


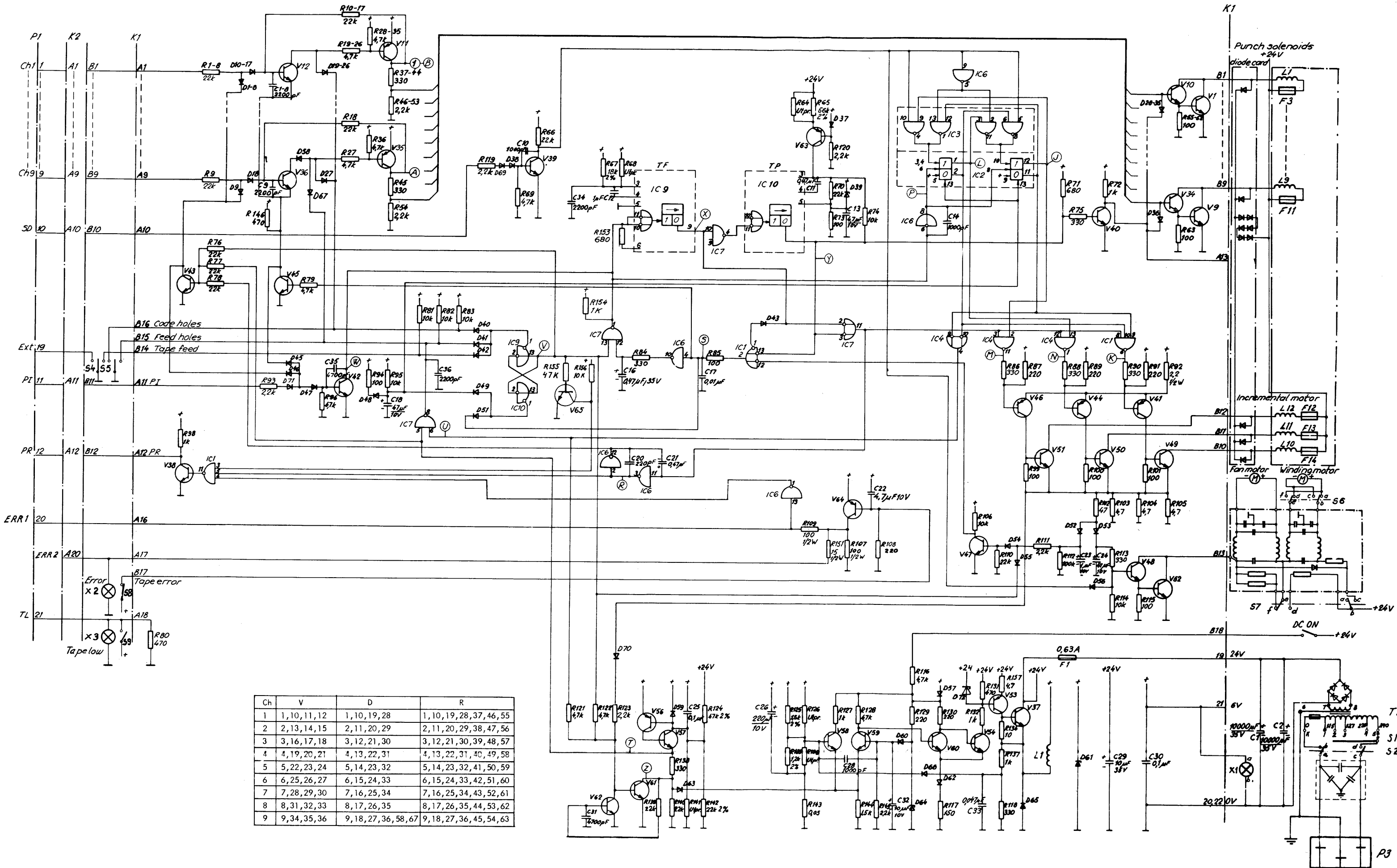
Filter board



Appendix 5 Battery operated FACIT 4070

C	D	R	V
		10-17	
		28-35	
		19-26	11
1-8	10-17, 19-26 1-8	1-8, 37-44	12
	28-35	46-53, 64, 65	10
	37	55-62	1
10	58	18	63
	38, 69	66	35
11	18, 27, 39	27	39
9, 34, 12	9, 67	119, 67, 68	36
13, 14	36	9, 45, 70-72	34
		69	40, 9
		73-75	
		146, 54, 63	
		153	
		76	
		77	
		78, 79	43, 45
	43	154	
	40	81-83, 154	
	41		
	42	84, 85	
	45	86-92	
35, 36, 16, 17	46	94, 95, 155, 156	42
	47, 49	93	65, 46, 44, 41
18	48	96	
	51		
		98	51, 50, 49
20, 21		99-101	38
22		102-105	64
	52, 53	106	
		109	
23, 24	54	151, 107, 108, 111	47
	55	110, 112, 113	48
	56		52
		114, 115	
	70	80	
		116	
25, 26	57, 72	131, 157	53
1, 2	59	121-130, 132	56, 37
29, 30	61	134	57-60, 54
28	66	135-137	
	62, 63	138	61
32, 33	64, 65	139-145, 117, 118	62
31			





Ch	V	D	R
1	1, 10, 11, 12	1, 10, 19, 28	1, 10, 19, 28, 37, 46, 55
2	2, 13, 14, 15	2, 11, 20, 29	2, 11, 20, 29, 38, 47, 56
3	3, 16, 17, 18	3, 12, 21, 30	3, 12, 21, 30, 39, 48, 57
4	4, 19, 20, 21	4, 13, 22, 31	4, 13, 22, 31, 40, 49, 58
5	5, 22, 23, 24	5, 14, 23, 32	5, 14, 23, 32, 41, 50, 59
6	6, 25, 26, 27	6, 15, 24, 33	6, 15, 24, 33, 42, 51, 60
7	7, 28, 29, 30	7, 16, 25, 34	7, 16, 25, 34, 43, 52, 61
8	8, 31, 32, 33	8, 17, 26, 35	8, 17, 26, 35, 44, 53, 62
9	9, 34, 35, 36	9, 18, 27, 36, 58, 67	9, 18, 27, 36, 45, 54, 63

Test point

