

M243XL

**Magnetic Tape Subsystem
Illustrated Parts Catalog**

The Fujitsu logo consists of the word "FUJITSU" in a bold, sans-serif font, centered between two thick, horizontal black bars.

FUJITSU

REVISION RECORD		
Edition	Date published	Revised contents
01	October, 1982	
02	Apr., 1985	
Specification No.: B02P-5280-0340A		

Comments concerning this manual to one of the following addresses:

FUJITSU LIMITED
 International Marketing
 Marunouchi 1-6-1, Chiyoda-ku, Tokyo 100 JAPAN
 TEL: 03-216-3211
 FAX: 03-213-7174, 03-216-9353
 TLX: J22833
 Cable: "FUJITSULIMITED LIMITED"

FUJITSU AMERICA INC.
 3055 Orchard Drive, San Jose, California 95134-2017, U.S.A.
 TEL: 408-946-8777
 FAX: 408-945-1318
 TLX: 230-176207
 TWX: 910-338-2193

FUJITSU EUROPE LIMITED
 54 Jermyn Street, London SW1Y 6NQ, ENGLAND
 TEL: 1-408-0043
 FAX: 1-629-9826
 TLX: 263871 FT ERP G

FUJITSU ELECTRONIK GmbH
 Sonnen Straße 29, D-8000 München 2, F.R. GERMANY
 TEL: 89 - 592891 - 4
 FAX: 89 - 592895
 TLX: 41 - 5213994

FUJITSU NORDIC AB
 Kungsgatan 44, 111 35 Stockholm, SWEDEN
 TEL: 8-231125
 FAX: 8-106865
 TLX: 54-13411

FUJITSU ITALIA S.p.A.
 Via Lazzaroni, 4, 20124 Milano, ITALIA
 TEL: 2-607-3601
 FAX: 2-688-6637
 TLX: 350142 FJITLY I

FUJITSU AUSTRALIA LIMITED
 41 McLaren Street, North Sydney, N.S.W. 2060, AUSTRALIA
 TEL: 2-922-1822
 FAX: 2-922-2653
 TLX: 71-25233

The contents of this manual is subject to
 change without prior notice.

All Rights Reserved,
 Copyright © 1982, 1985 FUJITSU LIMITED

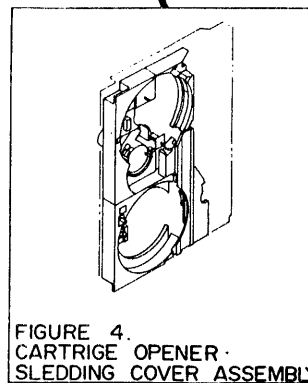
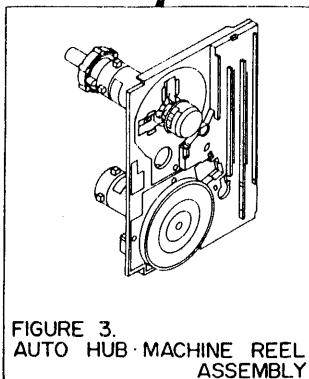
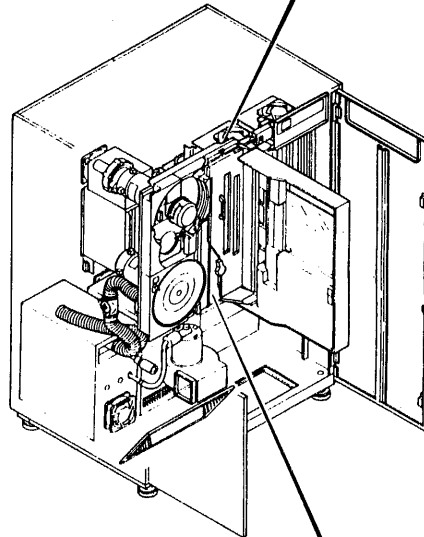
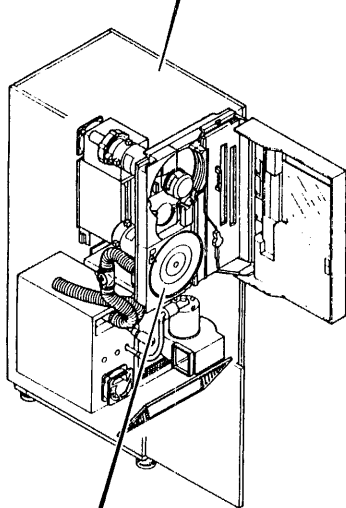
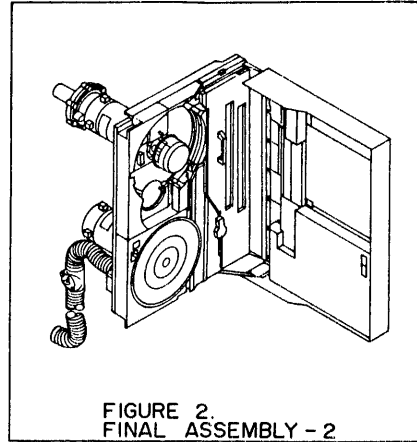
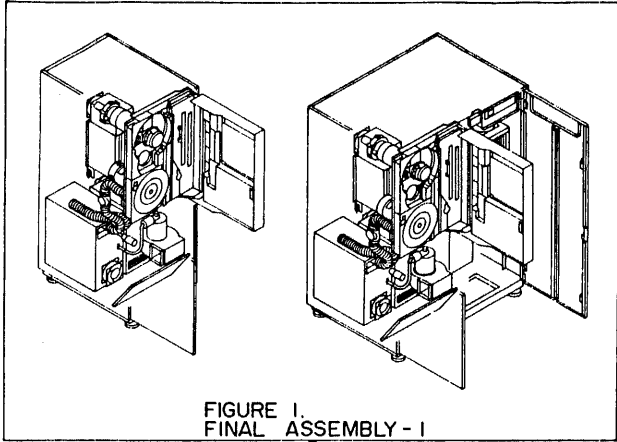
LIST OF EFFECTIVE PAGES

PAGE	REV	PAGE	REV
Cover	—	32	02
Blank	—	33	02
i	02	34	02
Blank	—	35	02
iii	02	36	02
Blank	—	37	02
v	02	38	02
1	01	39	02
2	01	40	02
3	02	41	02
4	02	42	02
5	02	43	02
6	02	44	02
7	02	45	01
8	02	46	01
9	02	47	02
10	02	48	02
11	02	49	02
12	02	50	02
13	02	Blank	—
14	02	52	02
15	02	Blank	—
16	02	Blank	—
17	02	Cover	—
18	02		
19	01		
20	02		
21	01		
22	01		
23	02		
24	02		
25	02		
26	02		
27	01		
28	02		
29	02		
30	02		
31	02		

C O N T E N T S

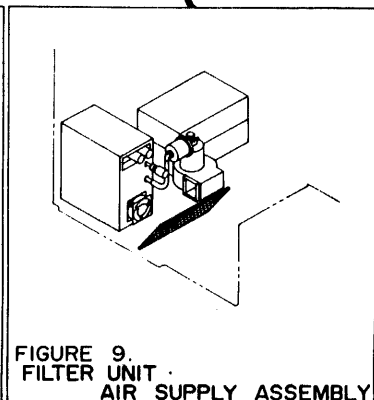
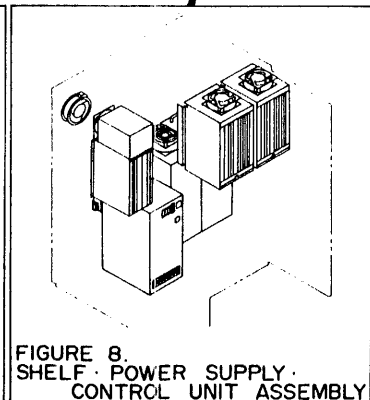
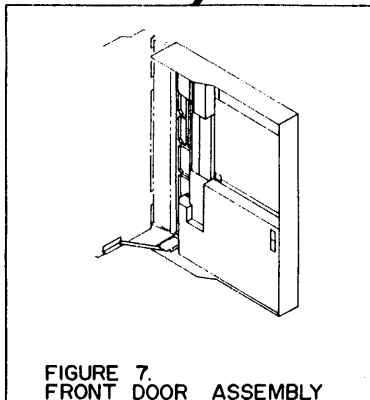
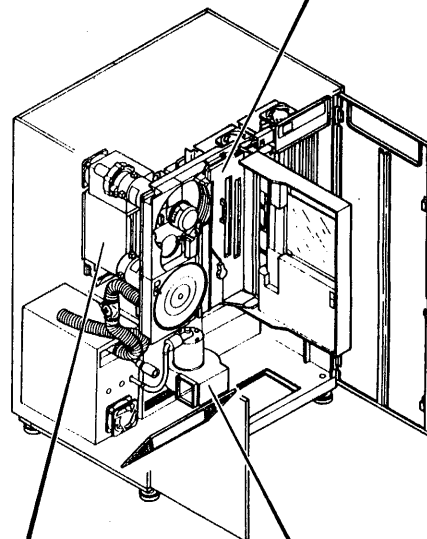
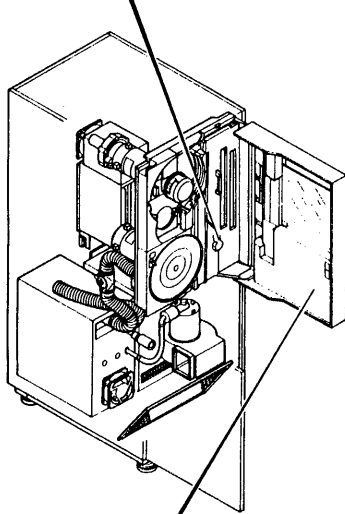
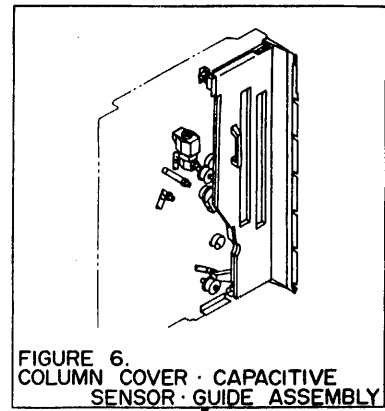
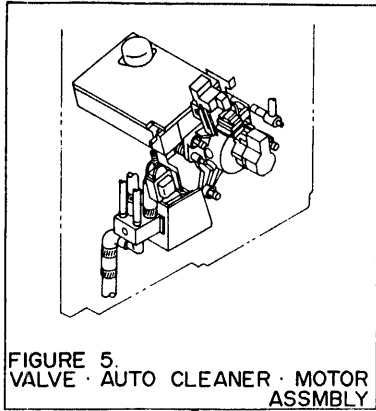
VISUAL INDEX I	MACHINE TAPE UNIT
VISUAL INDEX II	MAGNETIC TAPE UNIT
FIGURE 1	FINAL ASSEMBLY - 1
FIGURE 2-1	FINAL ASSEMBLY - 2
FIGURE 2-2	FINAL ASSEMBLY - 2
FIGURE 3-1	AUTO HUB, MACHINE REEL ASSEMBLY
FIGURE 3-2	AUTO HUB, MACHINE REEL ASSEMBLY
FIGURE 4	CARTRIDGE OPENER, SLEDDING COVER ASSEMBLY
FIGURE 5-1	VALVE, AUTO CLEANER, MOTOR ASSEMBLY
FIGURE 5-2	VALVE, AUTO CLEANER, MOTOR ASSEMBLY
FIGURE 6	COLUMN COVER, CAPACITIVE SENSOR, GUIDE ASSEMBLY
FIGURE 7	FRONT DOOR ASSEMBLY
FIGURE 8	SHELF POWER SUPPLY UNIT, CONTROL UNIT ASSEMBLY
FIGURE 9	FILTER UNIT, AIR SUPPLY ASSEMBLY
FIGURE 10	CABLE LIST (MTU SECTION)
FIGURE 11	CABLE LIST (MASTER SECTION)

VISUAL INDEX I. MAGNETIC TAPE UNIT



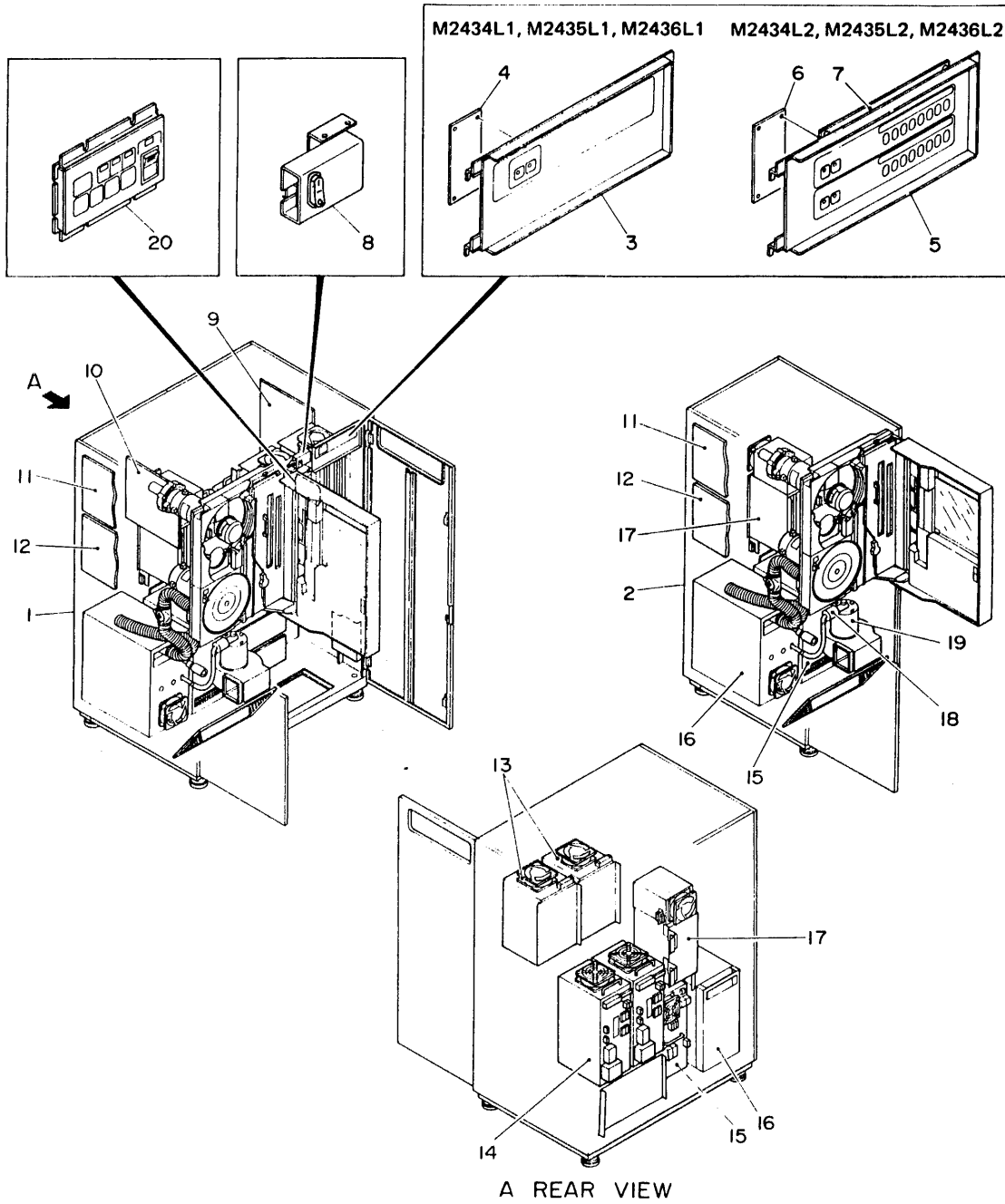
M243XL (MTU)	1
--------------	---

VISUAL INDEX II. MAGNETIC TAPE UNIT



M243XL (MTU)	1
---------------------	----------

FIGURE 1. FINAL ASSEMBLY – 1



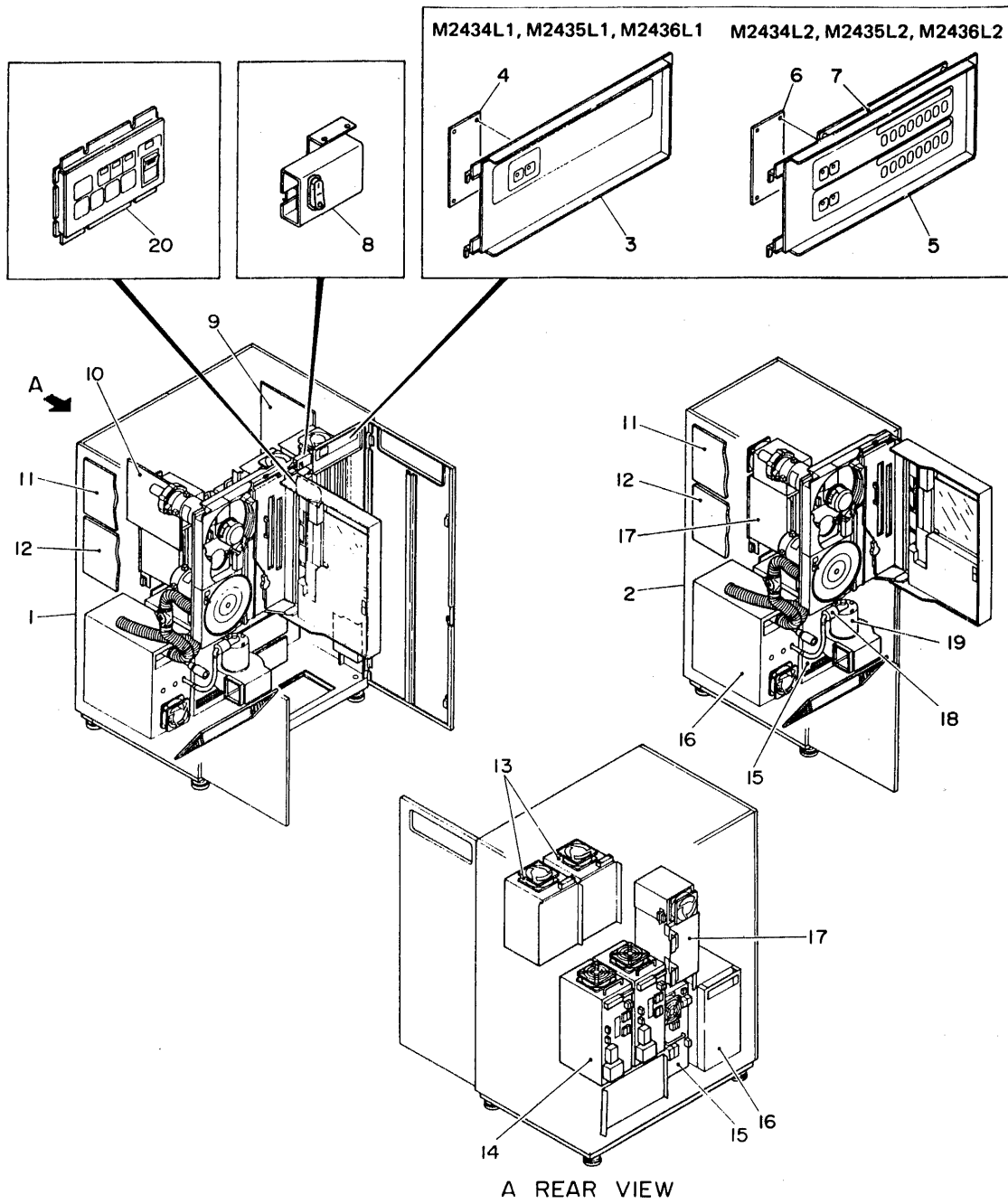
M243XL (MTU)	2
--------------	---

FIGURE 1. FINAL ASSEMBLY – 1

INDEX NO.	COMPOSITION & QUANTITY					SPECIFICATION	DESCRIPTION
	1					B03B-5285-B301A	Magnetic Tape Unit (M2434L1)
	1					B03B-5285-B302A	Magnetic Tape Unit (M2434L2)
	1					B03B-5285-B303A	Magnetic Tape Unit (M2430L)
	1					B03B-5285-B304A	Magnetic Tape Unit (M2431L)
	1					B03B-5285-B311A	Magnetic Tape Unit (M2435L1)
	1					B03B-5285-B312A	Magnetic Tape Unit (M2435L2)
	1					B03B-5285-B313A	Magnetic Tape Unit (M2432L)
	1					B03B-5285-B314A	Magnetic Tape Unit (M2433L)
	1					B03B-5285-B321A	Magnetic Tape Unit (M2436L1)
	1					B03B-5285-B322A	Magnetic Tape Unit (M2436L2)
	1					B03B-5285-B323A	Magnetic Tape Unit (M2436L8)
1	1					B210-1360-T610A	Locker (M2434L1/L2, M2435L1/L2, M2436L1/L2)
2	1					B210-1360-T602A	Locker (M2430L/31L/32L/33L, M2436L8)
3	1					B03B-5280-D005A	Operator Panel (M2434L1, M2435L1, M2436L1)
* 4		1				B16B-7390-0210A#U	P.C.A.
5	1					B03B-5280-D007A	Operator Panel (M2434L2, M2435L2, M2436L2)
* 6		1				B16B-7390-0200A#U	P.C.A.
* 7		1				B16B-7390-0110A#U	P.C.A.
8	1					B03B-5280-D012A	Switch Unit
-	2					F6-SBD-3x6S-M-N11A	Machine Screw
* 9	1					B16B-7390-0010A#U	P.C.A. (M2434L1, M2435L1, M2436L1)
* 9	1					B16B-7390-0020A#U	P.C.A. (M2434L1, M2435L1, M2436L1)
* 10	1					B16B-7240-0030A#U	P.C.A. (M2434L1/L2, M2430L)
* 10	1					B16B-7260-0020A#U	P.C.A. (M2431L)
* 10	1					B16B-7230-0030A#U	P.C.A. (M2435L1/L2, M2432L, M2436L1/L2/L8)
* 10	1					B16B-7250-0020A#U	P.C.A. (M2433L)
* 11	1					B16B-7210-0200A#U	Transistor Circuit B
* 12	1					B16B-7200-0200A#U	Transistor Circuit A
13	1					B03B-5280-D301A	Logic Gate Assembly (M2434L1, M2435L1, M2436L1) (FIG 8)
-	4					F6-SBD-4x10S-M-N11A	Machine Screw
13	2					B03B-5280-D301A	Logic Gate Assembly (M2434L2, M2435L2, M2436L2) (FIG 8)
-	8					F6-SBD-4x10S-M-N11A	Machine Screw
* 14	1					B14L-5105-0145A#A1	Power Supply Unit (M2434L1, M2435L1, M2436L1) (FIG 8)
-	4					F6-SBD-4x10S-M-N11A	Machine Screw
* 14	2					B14L-5105-0145A#A1	Power Supply Unit (M2434L2, M2435L2, M2436L2) (FIG 8)
-	8					F6-SBD-4x10S-M-N11A	Machine Screw
	1					B03B-5280-C001A	MTU Subassembly (M2430L/32L, M2434L1/L2, M2435L1/L2) (M2436L1/L2/L8)

M243XL (MTU)	2
--------------	---

FIGURE 1. FINAL ASSEMBLY – 1



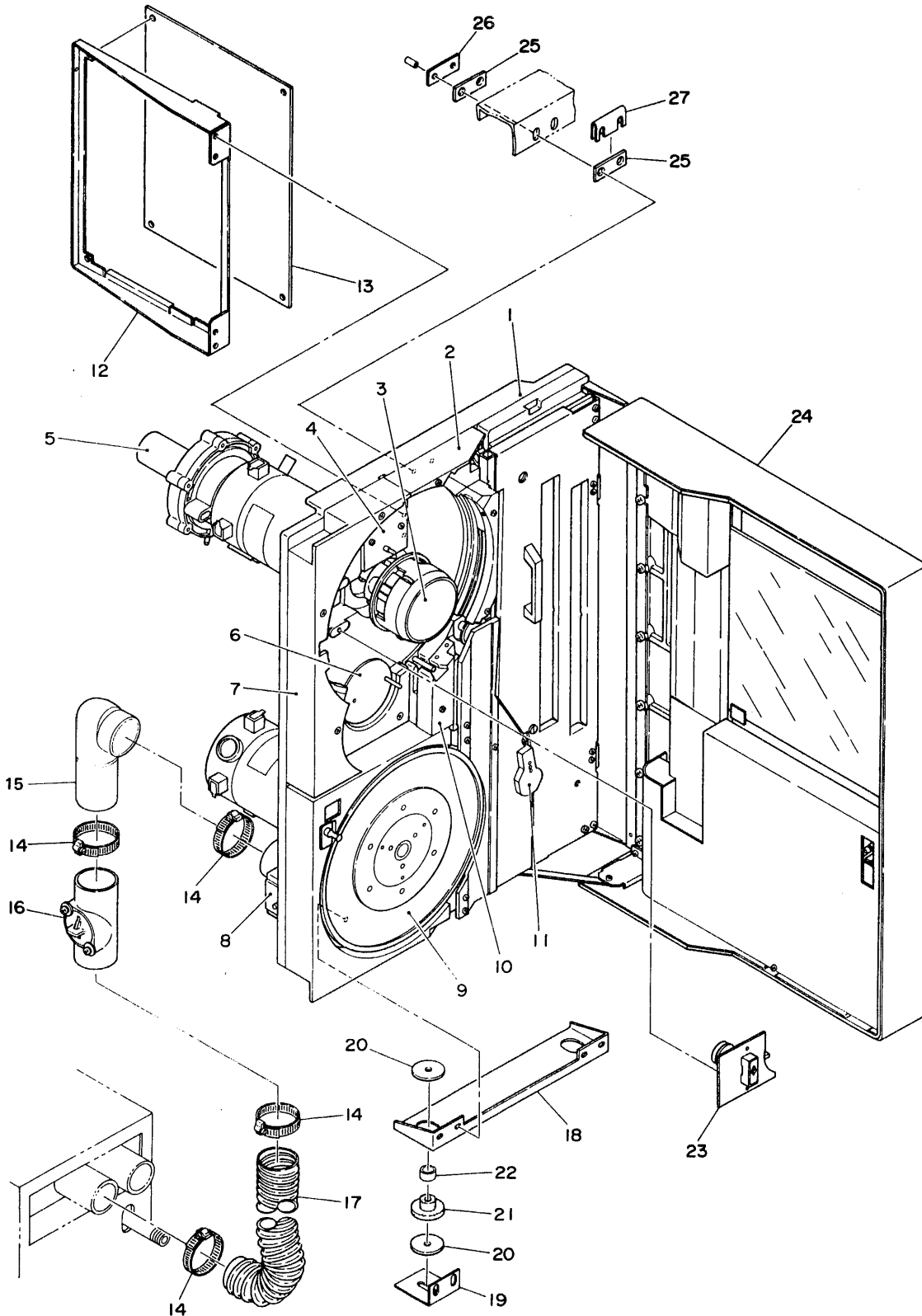
M243XL (MTU)	2
--------------	---

FIGURE 1. FINAL ASSEMBLY – 1 (continued)

INDEX NO.	COMPOSITION & QUANTITY				SPECIFICATION	DESCRIPTION
	1				B03B-5280-C002A	MTU Subassembly (M2431L, M2433L)
* 15		1			B14L-5105-0144A#A1	Power Supply Unit (FIG 8)
-		4			F6-SBD-4x10S-M-N11A	Machine Screw
16		1			B86L-0905-0030A	Air Supply (FIG 9)
-		2			F6-SBD-4x16S-M-N11A	Machine Screw
-		4			F6-SBD-4x10S-M-N11A	Machine Screw
17		1			B03B-5280-D109A	Control Unit (FIG 8)
-		6			F6-SSA-3x10S-M-N11A	Machine Screw
-		1			F6-SBD-4x10S-M-N11A	Machine Screw
18		1			B03B-5280-D108A	Filter Unit (FIG 9)
-		3			F6-SBD-4x10S-M-N11A	Machine Screw
* 19		1			B03B-5280-D107A	Fan Unit (FIG 8)
-		2			F6-SBD-4x10S-M-N11A	Machine Screw
* 20		1			N860-3348-T002	Operator Panel
-		4			F6-SBD-3x6S-M-N11A	Machine Screw

M243XL (MTU)	2
--------------	---

FIGURE 2-1. FINAL ASSEMBLY - 2



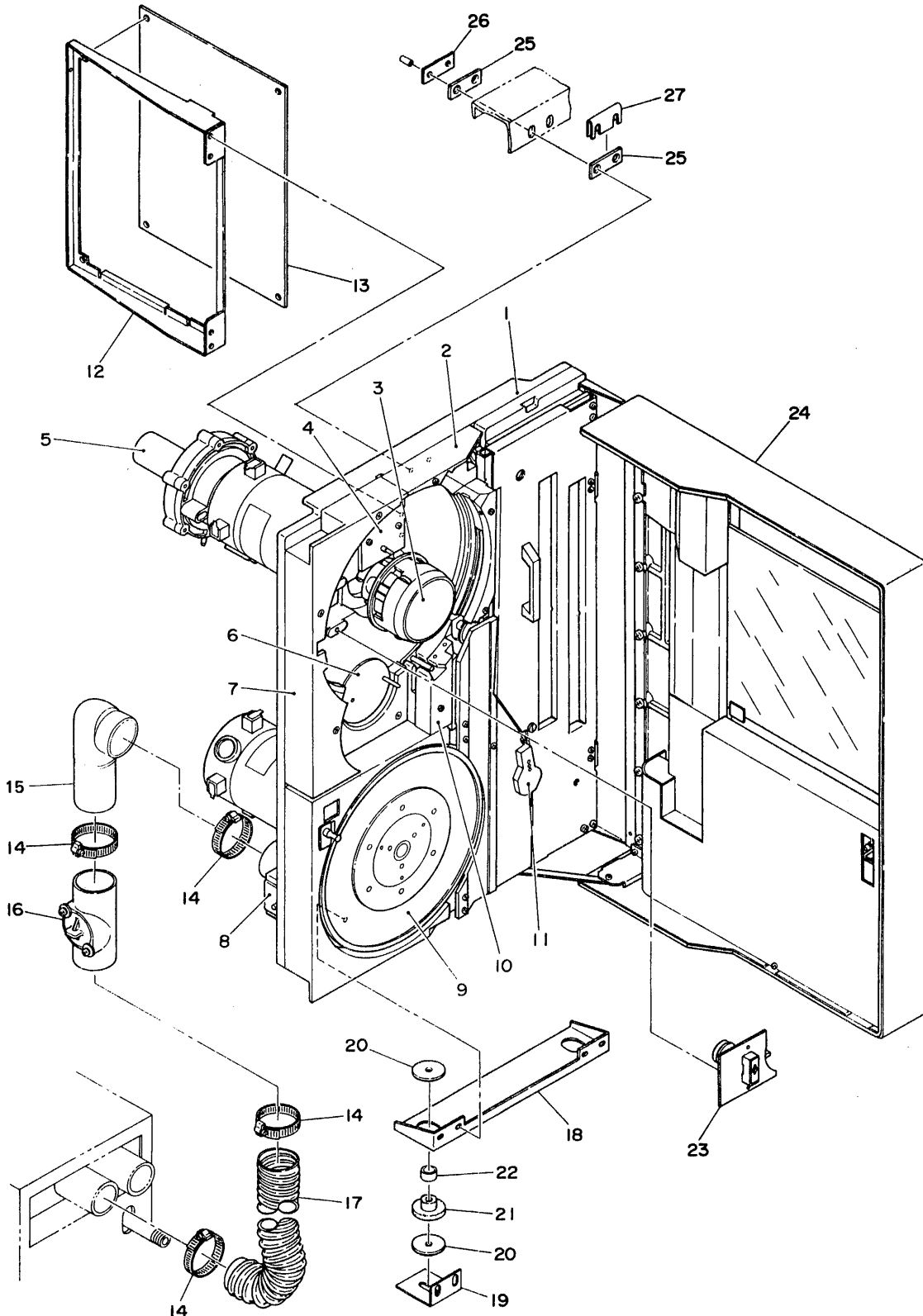
M243XL (MTU)	2
--------------	---

FIGURE 2-1. FINAL ASSEMBLY - 2

INDEX NO.	COMPOSITION & QUANTITY				SPECIFICATION	DESCRIPTION
	1				B03B-5280-C001A	MTU Subassembly (M2430L, M2434L1/L2)
		1			B03B-5280-D151A	Mechanism Section .. (M2430L, M2434L1/L2)
	1				B03B-5280-C002A	MTU Subassembly (M2431L)
		1			B03B-5280-D152A	Mechanism Section (M2431L)
	1				B03B-5280-C003A	MTU Subassembly (M2432L, M2435L1/L2)
		1			B03B-5280-D101A	Mechanism Section .. (M2432L, M2435L1/L2)
	1				B03B-5280-C004A	MTU Subassembly (M2433L)
		1			B03B-5280-D102A	Mechanism Section (M2433L)
			1		B030-5280-T001A	Magnetic Tape Panel (M2430L/32L, M2434L1/L2, M2435L1/L2)
			1		B030-5280-T002A	Magnetic Tape Panel (M2431L/33L)
1		1			B030-5280-V001A	Panel Assembly (FIG 3)
* 2		1			B030-5280-V004A	Threading Assembly (FIG 4)
-		3			F6-SW3NA-4x10S	Machine Screw
3		1			B030-5280-V400A	Auto Hub Assembly (FIG 3)
* 4		1			B030-5110-V005A	File Protect (FIG 4)
5		1			B030-5185-V402A	Rear Housing Assembly (FIG 3)
-		1			F6-SBD-3x12S	Machine Screw
-		1			F6-N1-3S	Nut
* 6		1			B030-5280-V300A	Cartridge Opener (FIG 4)
-		3			F6-SBD-4x6S	Machine Screw
7		1			B030-5280-V003A	Restraint Assembly (FIG 4)
-		4			F6-SW3NA-4x10S-M-N11A	Machine Screw
* 8		1			B030-5280-V560A	Valve Assembly (FIG 3)
-		8			F6-SW3NA-4x14S	Machine Screw
9		1			B030-5280-V402A	Machine Reel Assembly (FIG 3)
* 10		1			B030-5280-V103A	Upper Threading Channel (FIG 4)
-		2			F6-SBD-4x16S-M-N11A	Machine Screw
* 11		1			B030-5280-V700A	Motor Assembly (FIG 5)
12		1			B250-3170-X501A	Metal Fitting
-		4			F6-SBD-4x10S-M-N11A	Machine Screw
* 13	1				B16B-7240-0030A#U	P.C.A. (M2430L, M2434L1/L2)
* 13	1				B16B-7230-0030A#U	P.C.A. (M2432L, M2435L1/L2)
* 13	1				B16B-7260-0020A#U	P.C.A. (M2431L)
* 13	1				B16B-7250-0020A#U	P.C.A. (M2433L)
14	4				B14L-0710-0006A	Hose Band
* 15	1				B98L-0905-0014A	Flexible Hose
* 16	1				B030-5185-V508A	Valve Assembly
* 17	1				B98L-0905-0011A	Flexible Hose
18	1				B250-3170-X502A	Metal Fitting
19	2				B250-3170-X509A	Plate
-	2				F6-BA-6x25-M-N11A	Bolt
20	4				B030-5250-X075A	Spacer
21	2				CT-B-16-3-FUJIGUM	Rubber Bushing
22	2				B030-5250-X076A	Spacer

M243XL (MTU)	2
--------------	---

FIGURE 2-1. FINAL ASSEMBLY - 2



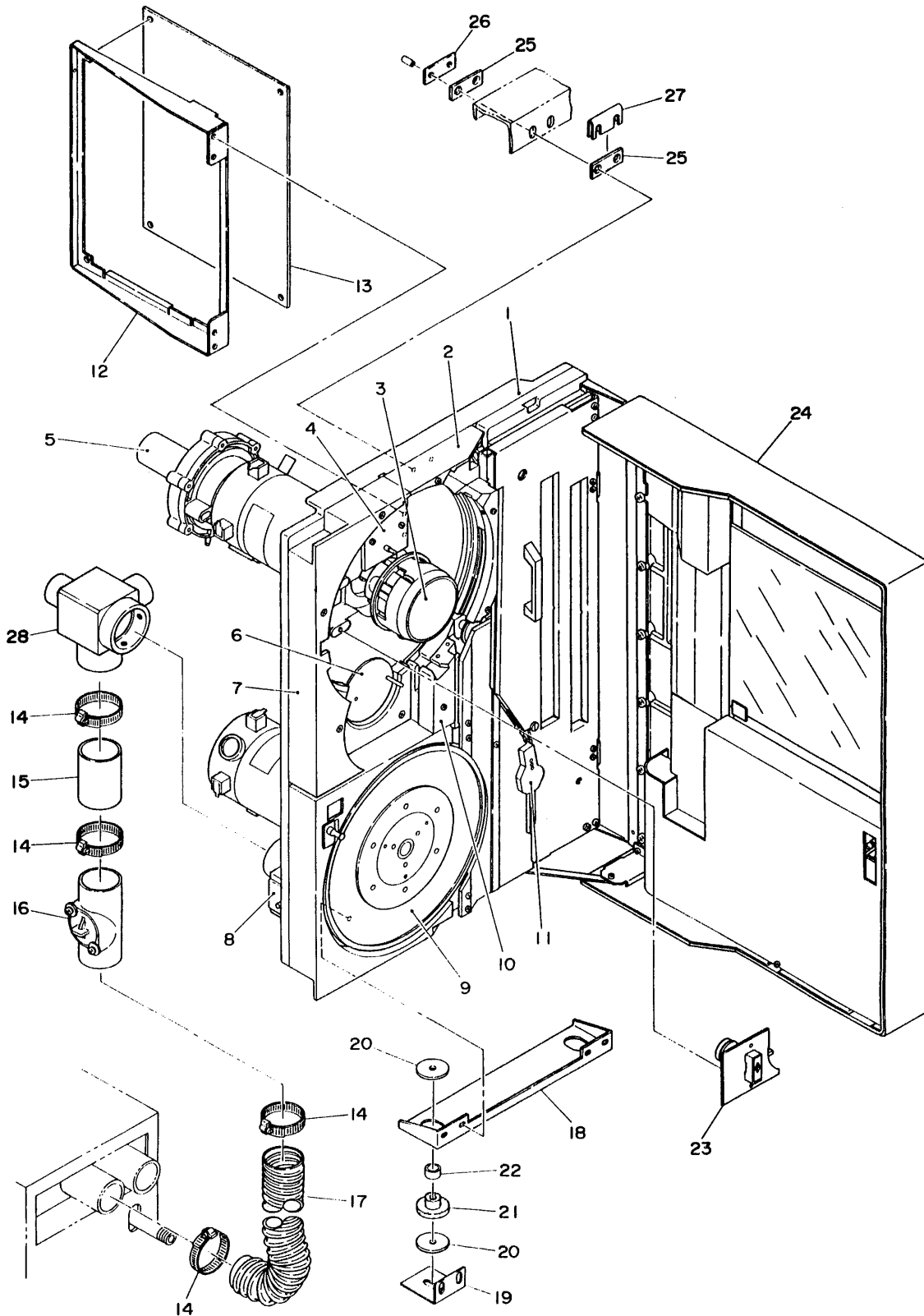
M243XL (MTU)	2
--------------	---

FIGURE 2-1. FINAL ASSEMBLY - 2 (continued)

INDEX NO.	COMPOSITION & QUANTITY					SPECIFICATION	DESCRIPTION
* 23	1					B03B-5185-D014A	Error Marker Assembly
-	2					F6-SBD-4x10S-M-N11A	Machine Screw
24	1					B03B-5280-D106A	Front Door (FIG 7)
-	6					F6-SBD-4x6S-M-N11A	Machine Screw
25	2					B250-3170-X505A	Plate
26	1					B250-3170-X511A	Plate
27	1					B250-3170-X508A	Plate

M243XL (MTU)	2
--------------	---

FIGURE 2-2. FINAL ASSEMBLY - 2



M2436L (MTU)	2
--------------	---

FIGURE 2-2. FINAL ASSEMBLY - 2

INDEX NO.	COMPOSITION & QUANTITY				SPECIFICATION	DESCRIPTION
	1				B03B-5280-C003A	MTU Subassembly (M2436L1/L2/L8)
		1			B03B-5280-D101A	Mechanism Section (M2436L1/L2/L8)
			1		B030-5280-T001A	Magnetic Tape Panel (M2436L1/L2/L8)
			1		B030-5280-T0002A	Magnetic Tape Panel (M2431L/33L)
1			1		B030-5280-V001A	Panel Assembly (FIG 3)
* 2			1		B030-5280-V004A	Threading Assembly (FIG 4)
-			3		F6-SW3NA-4x10S	Machine Screw
3			1		B030-5280-V400A	Auto Hub Assembly (FIG 3)
* 4			1		B030-5110-V005A	File Protect (FIG 4)
5			1		B030-5185-V402A	Rear Housing Assembly (FIG 3)
-			1		F6-SBD-3x12S-M-N11A	Machine Screw
-			1		F6-N1-3S	Nut
* 6			1		B030-5280-V300A	Cartridge Opener (FIG 4)
-			3		F6-SBD-4x6S	Machine Screw
7			1		B030-5280-V003A	Restraint Assembly (FIG 4)
-			4		F6-SW3NA-4x10S-M-N11A	Machine Screw
* 8			1		B030-5280-V560A	Valve Assembly (FIG 3)
-			8		F6-SW3NA-4x14S	Machine Screw
9			1		B030-5280-V402A	Machine Reel Assembly (FIG 3)
* 10			1		B030-5280-V103A	Upper Threading Channel (FIG 4)
-			2		F6-SBD-4x16S-M-N11A	Machine Screw
* 11			1		B030-5280-V700A	Motor Assembly (FIG 5)
12		1			B250-3170-X501A	Metal Fitting
-		4			F6-SBD-4x10S-M-N11A	Machine Screw
* 13	1				B16B-7230-0030A#U	P.C.A. (M2436L1/L2/L8)
14	4				B14L-0710-0006A	Hose Band
* 15	1				B98L-0905-0012A#L0100	Flexible Hose (#L0100)
* 16	1				B030-5185-V508A	Valve Assembly
* 17	1				B98L-0905-0011A	Flexible Hose
18	1				B250-3170-X502A	Metal Fitting
19	2				B250-3170-X509A	Plate
-	2				F6-BA-6x25-M-N11A	Bolt
20	4				B030-5250-X075A	Spacer
21	2				CT-B-16-3-FUJIGUM	Rubber Bushing
22	2				B030-5250-X076A	Spacer
* 23	1				B03B-5185-D014A	Error Marker Assembly
-	2				F6-SBD-4x10S-M-N11A	Machine Screw
24	1				B03B-5280-D106A	Front Door (FIG 7)
-	6				F6-SBD-4x6S-M-N11A	Machine Screw
25	2				B250-3170-X505A	Plate
26	1				B250-3170-X511A	Plate
27	1				B250-3170-X508A	Plate
28	1				B030-5280-V706A	Joint Assembly

M2436L (MTU)	2
--------------	---

FIGURE 3-1. AUTO HUB, MACHINE REEL ASSEMBLY

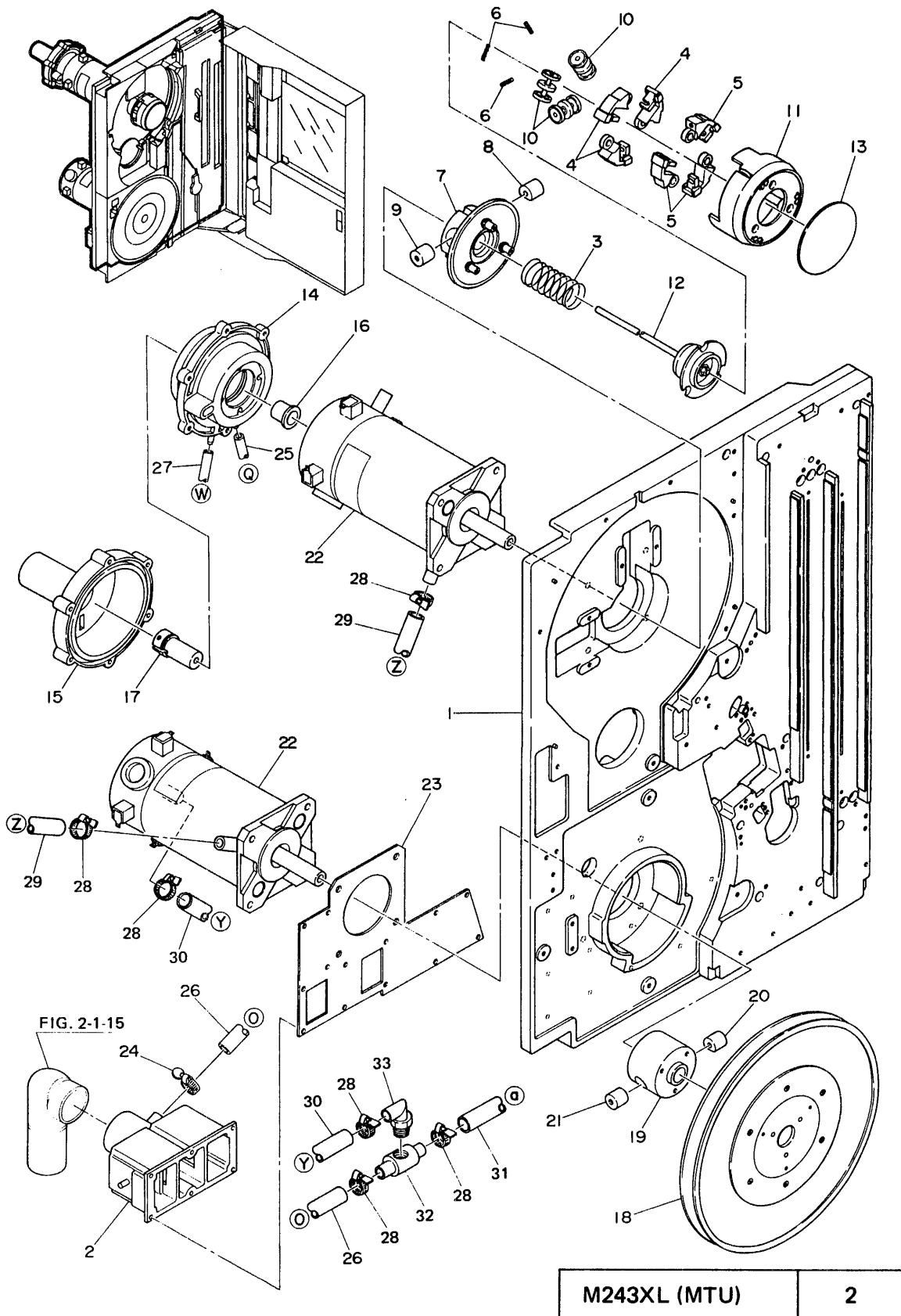
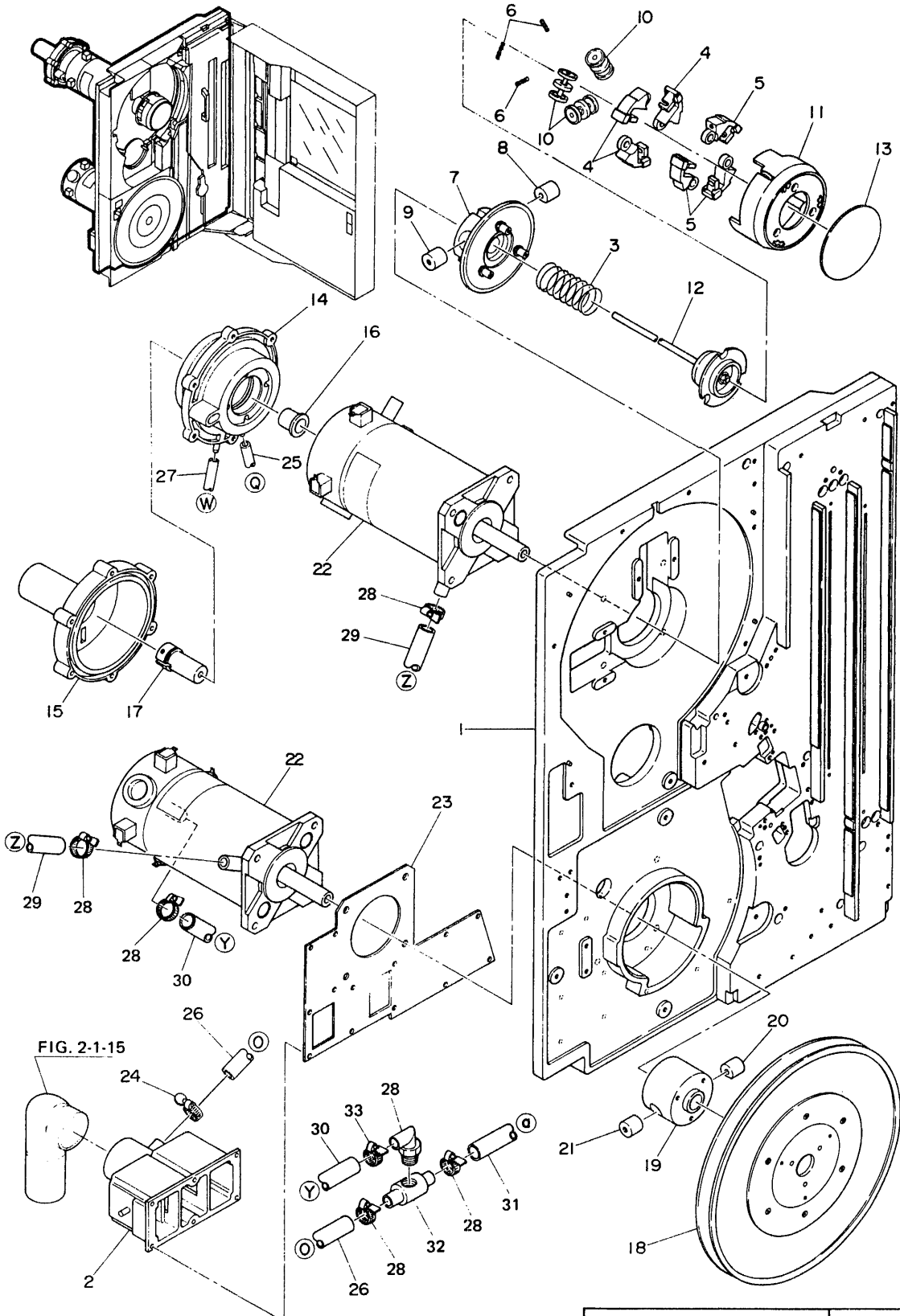


FIGURE 3-1. AUTO HUB, MACHINE REEL ASSEMBLY

INDEX NO.	COMPOSITION & QUANTITY					SPECIFICATION	DESCRIPTION
	1					B030-5280-T001A	Magnetic Tape Panel (M2430L/32L, M2434L1/L2, M2435L1/L2)
	1					B030-5280-T002A	Magnetic Tape Panel (M2431L, M2433L)
1	1					B030-5280-V001A	Panel Assembly
* 2	1					B030-5280-V560A	Valve Assembly
-	8					F6-SW3NA-4x14S	Machine Screw
	1					B030-5280-V400A	Auto Hub Assembly
3	1					B030-5180-X406A	Spring
* 4	3					B030-5185-V408A	Latch Assembly
* 5	3					B030-5185-V409A	Latch Assembly
6	3					B030-5180-X419A	Spring
* 7	1					B030-5180-V413A	Reel Hub Assembly
8	1					B030-5180-X409A	Clamp Key
9	1					B030-5180-X410A	Clamp Key
-	1					F6-BA-6x30-M-ZN1A	Bolt
* 10	3					B030-5180-V404A	Roller Assembly
* 11	1					B030-5185-V407A	Cup Assembly
-	3					F6-SBD-4x40S-M-N11A	Machine Screw
* 12	1					B030-5280-W410A	Cam Assembly
* 13	1					B030-5180-X432A	Cover
	1					B030-5185-V402A	Rear Housing Assembly
* 14	1					B030-5185-V407A	Housing Assembly
15	1					B030-5185-X423A	Rear Housing
16	1					B030-5180-X428A	Bushing
17	1					B030-5180-X429A	Clamp
-	1					F6-BA-4x16	Bolt
-	6					F6-SW2NA-4x25S	Machine Screw
-	1					F6-SBD-3x12S-M-N11A	Machine Screw
-	1					F6-N1-3S	Nut
	1					B030-5280-V402A	Machine Reel Assembly
18	1					B030-5280-W403A	Machine Reel
19	1					B030-5180-X144A	Joint
20	1					B030-5180-X409A	Clamp Key
21	1					B030-5180-X410A	Clamp Key
-	1					F6-BA-6x25	Bolt
* 22	2					B90L-0315-0032A	Reel Motor
-	8					F6-BA-6x16	Bolt
23	1					B030-5280-X044A	Plate
-	3					F6-SBD-4x6S-M-N11A	Machine Screw
24	1					B30L-0710-0022A	Tube Clamp
* 25	1					B98L-0615-0012A#L2000	Tube (#L0500)
* 26	1					B98L-0615-0014A#L2000	Tube (#L0200)
* 27	1					B98L-0615-0012A#L2000	Tube (#L0260)
28	8					B30L-0710-0022A	Tube Clamp
* 29	1					B98L-0615-0014A#L2000	Tube (#L0320)

M243XL (MTU)	2
--------------	---

FIGURE 3-1. AUTO HUB, MACHINE REEL ASSEMBLY



M243XL (MTU)	2
--------------	---

FIGURE 3-1. AUTO HUB, MACHINE REEL ASSEMBLY (continued)

INDEX NO.	COMPOSITION & QUANTITY					SPECIFICATION	DESCRIPTION
* 30	1					B98L-0615-0014A#L2000	Tube (#L0070)
* 31	1					B98L-0615-0014A#L2000	Tube (#L0050)
* 32	1					B030-5280-X069A	Joint
33	1					B300-0410-X009A	Hose Tap

M243XL (MTU)	2
--------------	---

FIGURE 3-2. AUTO HUB, MACHINE REEL ASSEMBLY

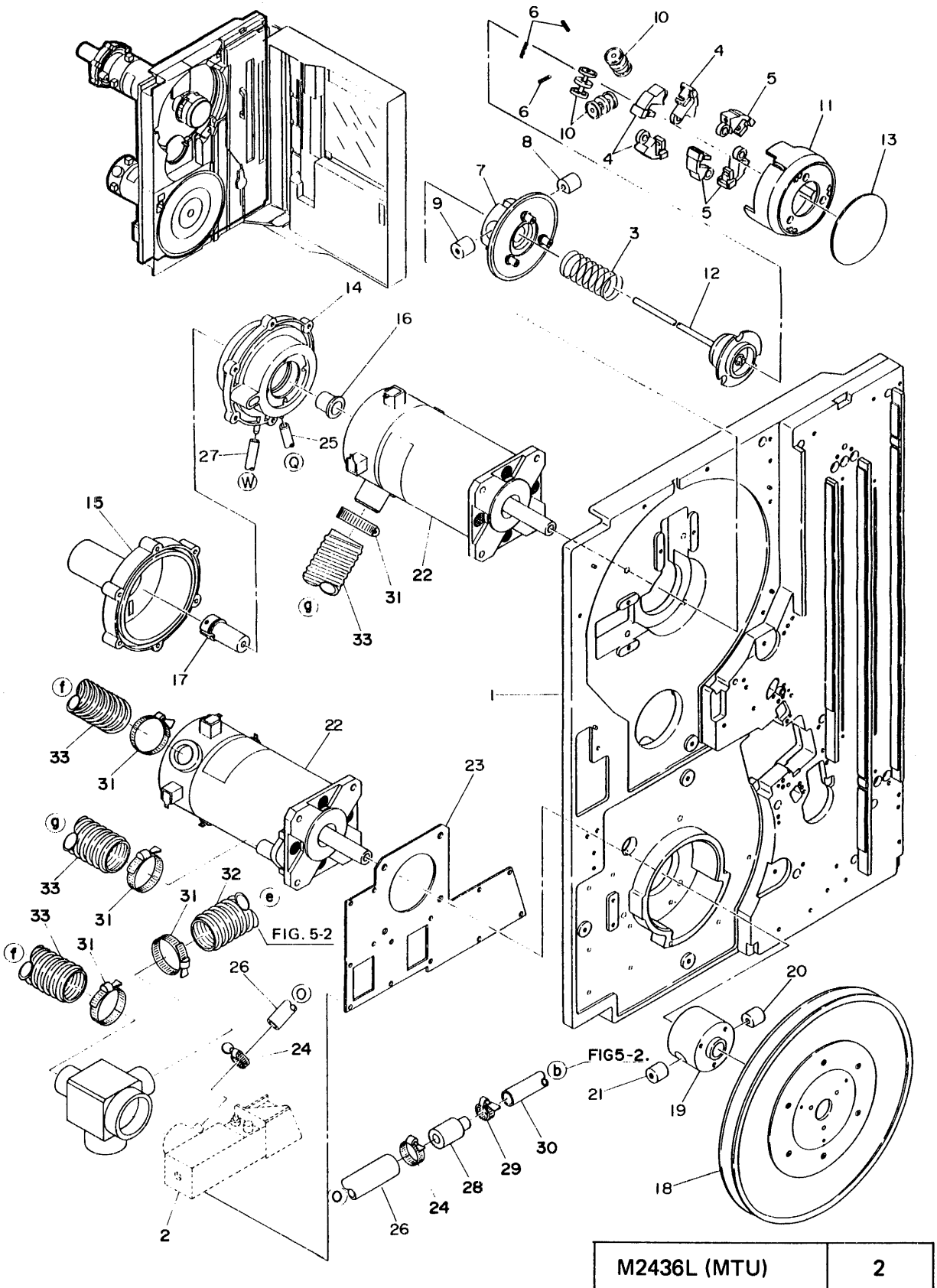


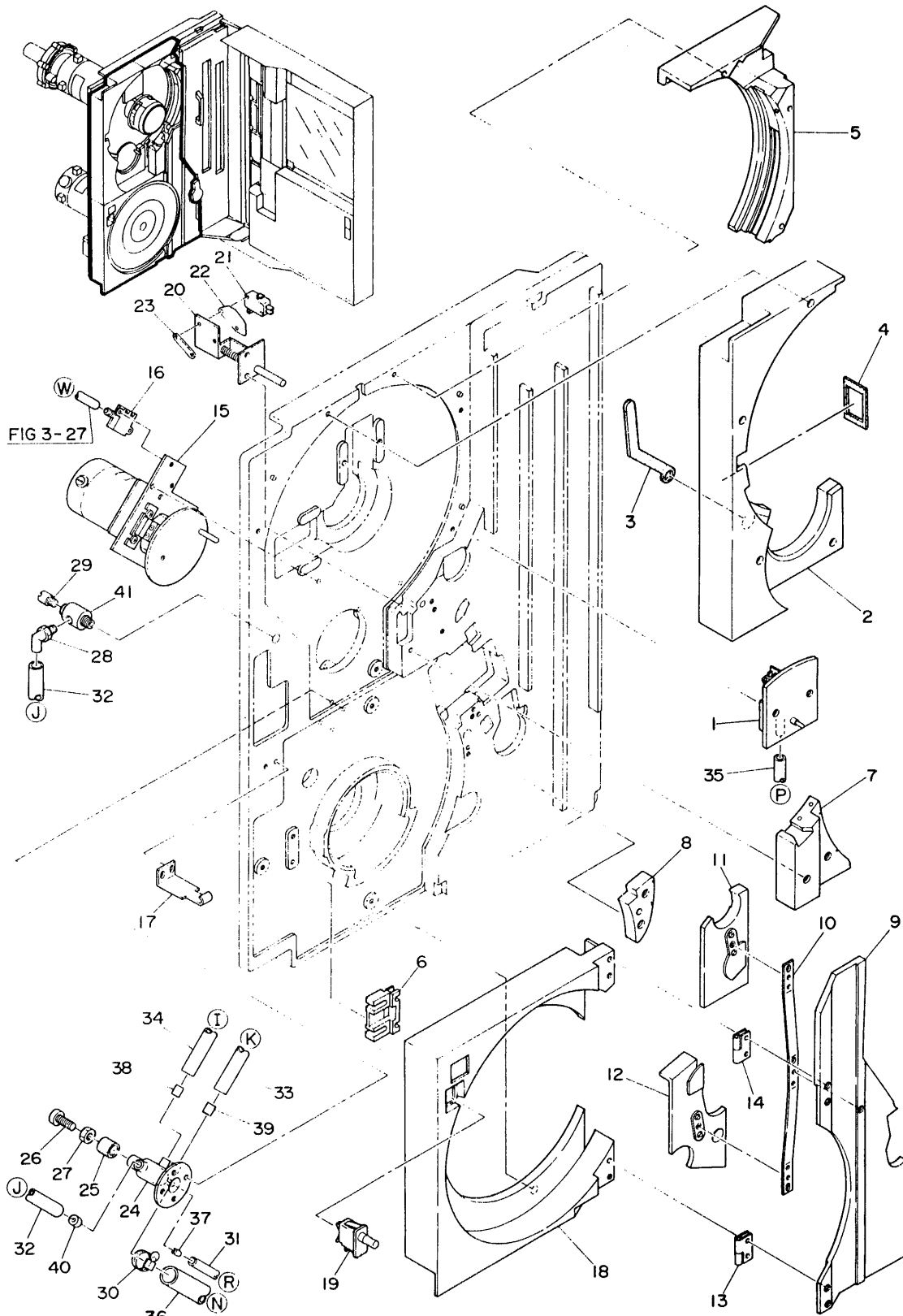
FIGURE 3-2. AUTO HUB, MACHINE REEL ASSEMBLY

INDEX NO.	COMPOSITION & QUANTITY				SPECIFICATION	DESCRIPTION
	1					
1	1			B030-5280-T001A	Magnetic Tape Panel	
		1		B030-5280-V001A	Panel Assembly	
* 2	1			B030-5280-V560A	Valve Assembly	
-	8			F6-SW2NA-4x14S	Machine Screw	
	1			B030-5280-V400A	Auto Hub Assembly	
3	1			B030-5180-X406A	Spring	
* 4	3			B030-5185-V408A	Latch Assembly	
* 5	3			B030-5185-V409A	Latch Assembly	
6	3			B030-5180-X419A	Spring	
* 7	1			B030-5180-V413A	Reel Hub Assembly	
8	1			B030-5180-X409A	Clamp Key	
9	1			B030-5180-X410A	Clamp Key	
-	1			F6-BA-6x30-M-2N1A	Bolt	
* 10	3			B030-5180-V404A	Roller assembly	
* 11	1			B030-5185-V403A	Cup Assembly	
-	3			F6-SBD-4x40S-M-N11A	Machine Screw	
* 12	1			B030-5185-W405A	Cam Assembly	
* 13	1			B030-5180-X432A	Cover	
	1			B030-5185-V402A	Rear Housing Assembly	
* 14	1			B030-5185-V407A	Housing Assembly	
15	1			B030-5185-X423A	Rear Housing	
16	1			B030-5180-X428A	Bushing	
17	1			B030-5180-X429A	Clamp	
-	1			F6-BA-4x16	Bolt	
-	6			F6-SW2NA-4x25S	Machine Screw	
-	1			F6-SBD-3x12S-M-N11A	Machine Screw	
-	1			F6-N1-3S	Nut	
	1			B030-5280-V402A	Machine Reel Assembly	
18	1			B030-5280-W403A	Machine Reel	
19	1			B030-5180-X144A	Joint	
20	1			B030-5180-X409A	Clamp Key	
21	1			B030-5180-X410A	Clamp Key	
-	1			F6-BA-6x25	Bolt	
* 22	2			B90L-0315-0052A	Reel Motor	
-	8			F6-BA-6x16	Bolt	
23	1			B030-5280-X044A	Plate	
-	3			F6-SBD-4x6S-M-N11A	Machine Screw	
24	1			B30L-0710-0022A	Tube Clamp	
* 25	1			B98L-0615-0012A#L2000	Tube (#L0500)	
* 26	1			B98L-0615-0014A#L2000	Tube (#L0200)	
* 27	1			B98L-0615-0012A#L2000	Tube (#L0260)	
28	1			B030-5280-X709A	Joint	
29	1			B30L-0710-0012A	Tube Clamp	
30	1			B98L-0615-0013A#L0200	Tube (#L0200)	
31	5			B14L-0710-0005A	Hose Band	
32	1			B98L-0905-0001A#L0380	Flexible Hose (#L0380)	
33	2			B98L-0905-0001A#L0480	Flexible Hose (#L0480)	

M2436L (MTU)

2

FIGURE 4. CARTRIDGE OPENER, SLEDDING COVER ASSEMBLY



M243XL (MTU)	1
--------------	---

FIGURE 4. CARTRIDGE OPENER, SLEDDING COVER ASSEMBLY

INDEX NO.	COMPOSITION & QUANTITY				SPECIFICATION	DESCRIPTION
	1				B030-5280-T001A	Magnetic Tape Panel (M2430L/32L, M2434L1/L2, M2435L1/L2, M2436L1/L2/L8)
	1				B030-5280-T002A	Magnetic Tape Panel (M2431L, M2433L)
* 1	1				B030-5110-V005A	File Protect
*		1			B55L-0140-0001A	Micro Switch
-		2			F6-SNA-4x10S-M-ZN2A	Machine Screw
		1			B030-5280-V003A	Restraint Assembly
2		1			B030-5280-X010A	Restraint Member
3		1			B030-5280-X013A	Packing
4		1			B030-5180-Y010A	Packing
-		4			F6-SW3NA-4x10S-M-N11A	Machine Screw
* 5		1			B030-5280-V004A	Threading Assembly
-		3			F6-SW3NA-4x10S-M-N11A	Machine Screw
* 6		1			B030-5280-V005A	Low Tape Assembly
-		2			F6-SBD-4x16S-M-N11A	Machine Screw
* 7		1			B030-5280-V103A	Upper Threading Channel Assembly
-		2			F6-SBD-4x16S-M-N11A	Machine Screw
8		1			B030-5280-X108A	Lower Threading Channel
-		2			F6-SBD-4x16S-M-N11A	Machine Screw
		1			B030-5280-V265A	Threading Cover
9		1			B030-5280-V275A	Threading Cover
10		1			B030-5280-X278A	Spring Plate
-		3			F6-SBD-3x6S-M-N11A	Machine Screw
11		1			B030-5280-X276A	Upper Threading Plate
12		1			B030-5280-X277A	Lower Threading Plate
13		1			B30L-1280-0032A	Hinge
-		2			F6-SSA-3x6S-M-N11A	Machine Screw
14		1			B30L-1280-0033A	Hinge
-		2			F6-SSA-3x6S-M-N11A	Machine Screw
-		4			F6-SBD-3x6S-M-N11A	Machine Screw
* 15		1			B030-5280-V300A	Cartridge Opener
-		3			F6-SBD-4x6S-M-N11A	Machine Screw
* 16		1			B57L-0090-0035A	Pressure Sensor
-		2			F6-SBD-2x6S-M-N11A	Machine Screw
17		1			B030-5280-X024A	Metal Fitting
-		2			F6-SBD-4x6S-M-N11A	Machine Screw
18		1			B030-5280-X026A	Cover
-		3			F6-SW3NA-4x10S-M-N11A	Machine Screw
* 19		1			B55L-0400-0001A	Door Switch
* 20		1			B030-5180-V015A	Cartridge Sensor
* 21		1			B55L-0140-0002A	Micro Switch
22		1			B99L-0030-0001A	Machine Screw Plate
-		2			F6-SW3NA-3x16S	Machine Screw
23		1			B270-0110-X001A	Vernish Glass Cloth
		1			B030-5280-V014A	Distributor Assembly

M243XL (MTU)	2
--------------	---

FIGURE 4. CARTRIDGE OPENER, SLEDDING COVER ASSEMBLY

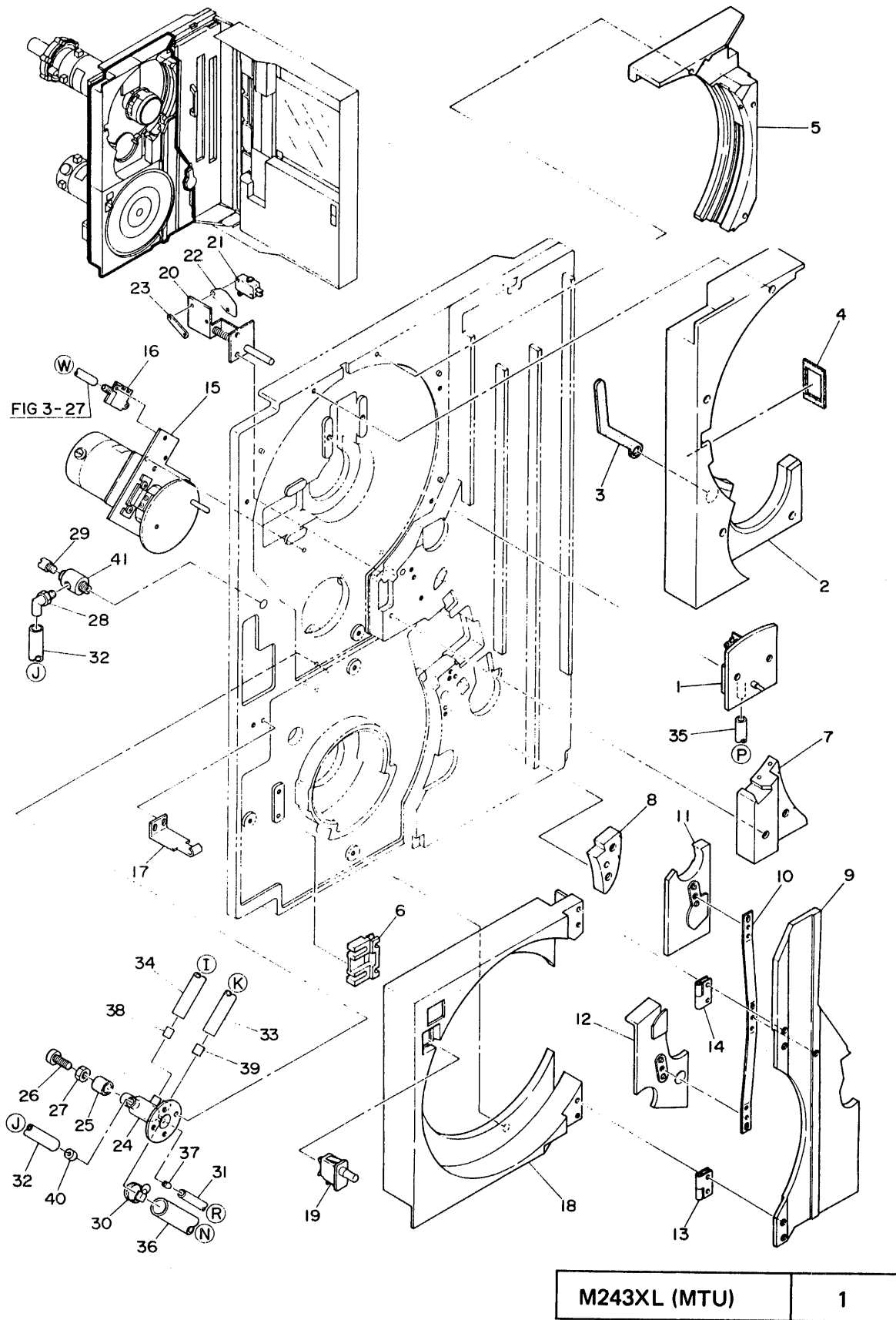
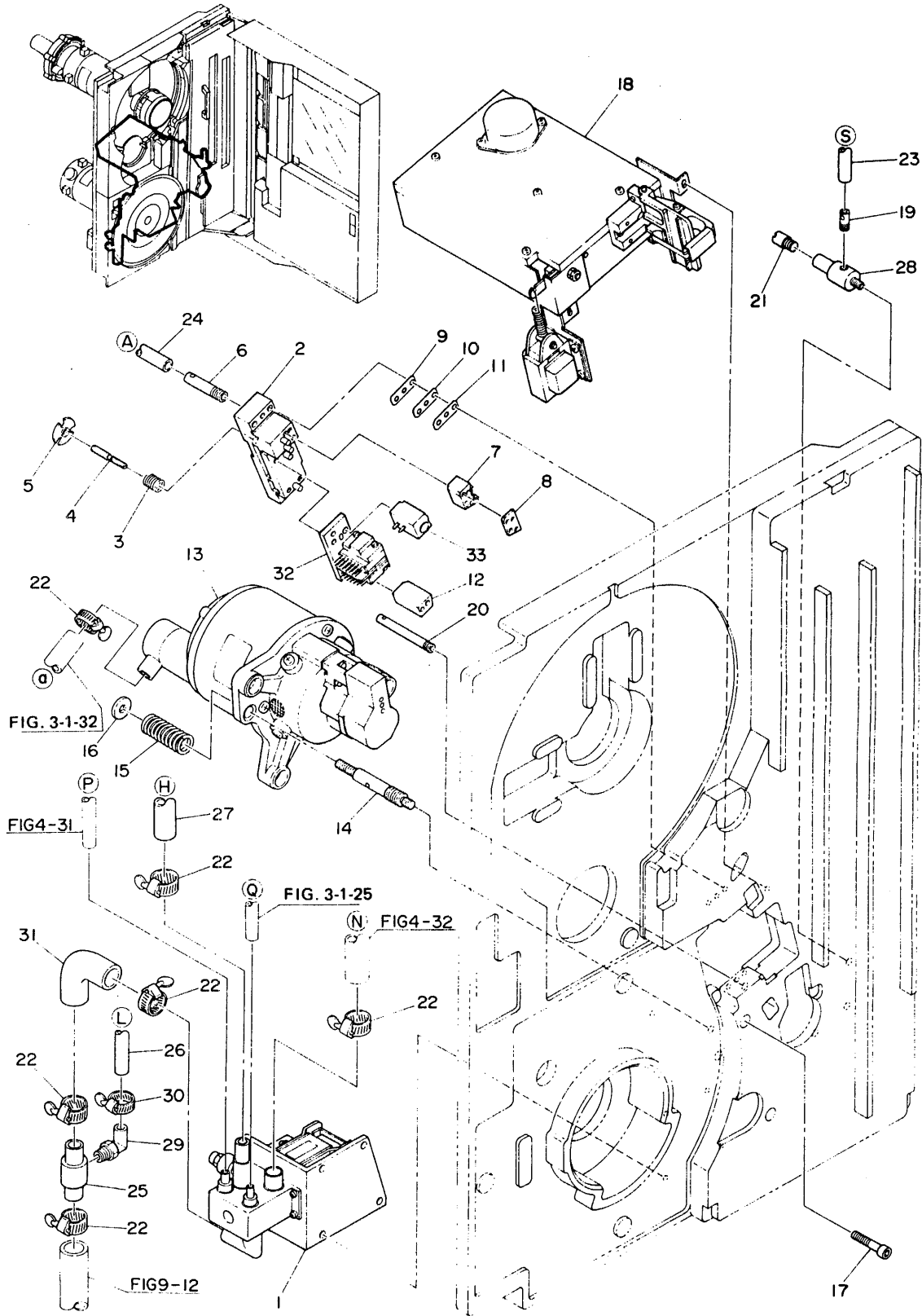


FIGURE 4. CARTRIGE OPENER, SLEDDING COVER ASSEMBLY (continued)

INDEX NO.	COMPOSITION & QUANTITY				SPECIFICATION	DESCRIPTION
24		1			B030-5280-X045A	Distributor
25		1			B030-5280-X046A	Sponge
26		1			F6-SNA-8x25S	Machine Screw
27		1			F6-N1-8S	Nut
-		4			F6-SBD-4x6S-M-N11A	Machine Screw
28		1			B300-0415-X010A	Hose Tap
29		1			B030-5110-X123A	Stopper
30		1			B30L-0710-0022A	Tube Clamp
* 31		1			B98L-0615-0012A#L2000	Tube (#L0300)
* 32		2			B98L-0615-0013A#L2000	Tube (#L0140)
* 33		1			B98L-0615-0013A#L2000	Tube (#L0090)
* 34		1			B98L-0615-0013A#L2000	Tube (#L0340)
* 35		1			B98L-0615-0012A#L2000	Tube (#L0700)
* 36		1			B98L-0615-0014A#L2000	Tube (#L0190)
37		1			B030-5280-X055A	Orifice
38		1			B030-5250-X079A	Orifice
39		1			B030-5250-X080A	Orifice
40		1			B030-5280-X059A	Orifice
41		1			B030-5280-X067A	Pipe

M243XL (MTU)	1
--------------	---

FIGURE 5-1. VALVE, AUTO CLEANER, MOTOR ASSEMBLY



M243XL (MTU)	2
--------------	---

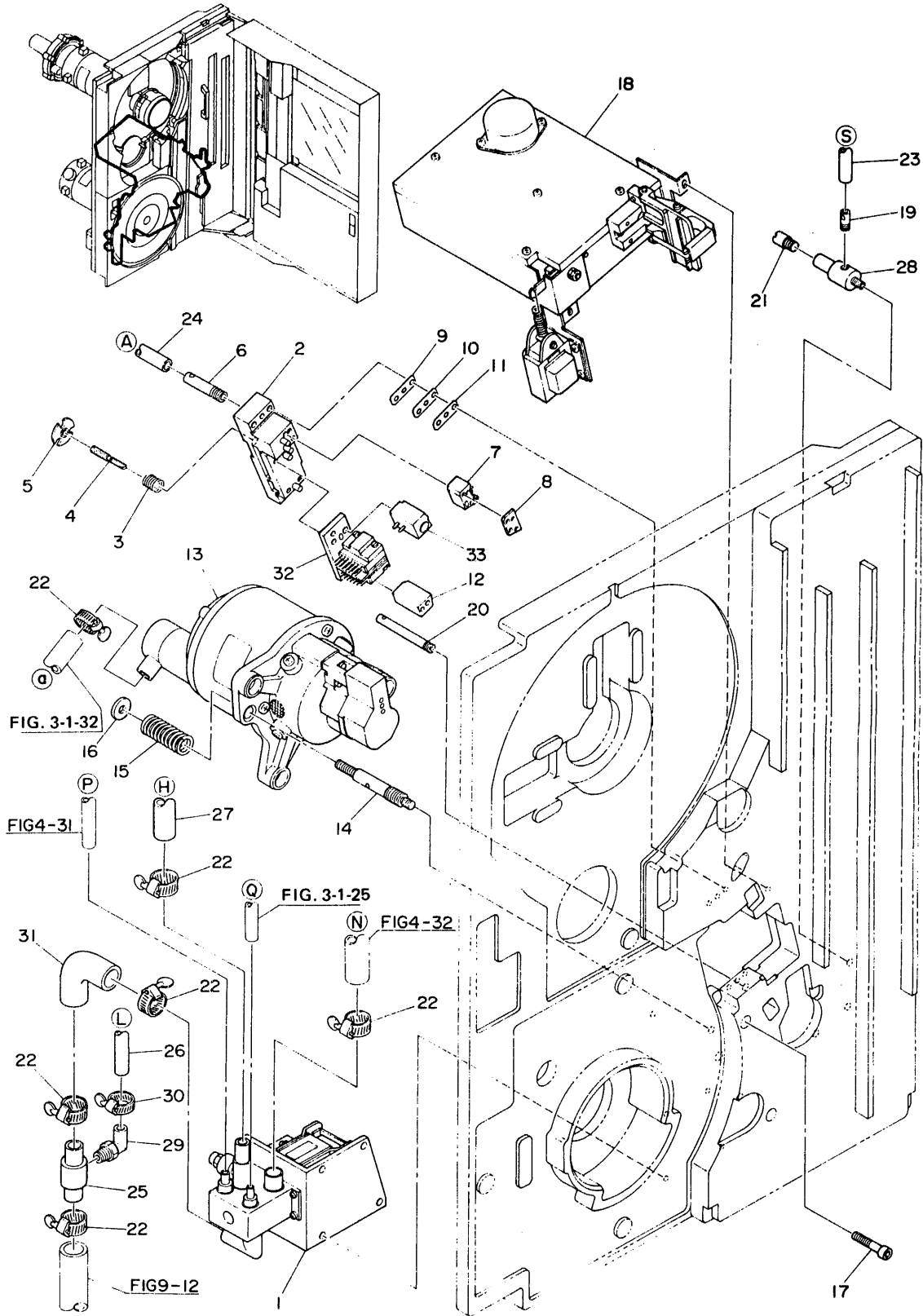
FIGURE 5-1. VALVE, AUTO CLEANER, MOTOR ASSEMBLY

INDEX NO.	COMPOSITION & QUANTITY					SPECIFICATION	DESCRIPTION
	1					B030-5280-T001A	Magnetic Tape Panel (M2430L/32L, M2434L1/L2, M2435L1/L2)
	1					B030-5280-T002A	Magnetic Tape Panel (M2431L, M2433L)
* 1	1					B030-5280-V560A	Valve Assembly
-	8					F6-SW3NA-4x14S	Machine Screw
	1					B030-5280-V100A	Base Assembly
2	1					B030-5280-X101A	Base
	3					B030-5180-X132A	Pin
	2					B030-5180-X133A	Pin
3	1					B030-5180-X103A	Spring
4	1					B300-0410-X007A	Screw
5	1					B030-5180-X102A	Nut
-	3					F6-SBD-4x6S-M-N11A	Machine Screw
6	1					B030-5060-X147A	Pipe
	1					B030-5180-V108A	Tape Cleaner
7	1					B030-5180-V109A	Cleaner
8	1					B030-5180-X129A	Plate
-	2					F6-SBD-3x20S-M-N11A	Machine Screw
9	6					B030-5280-X121A	Spacer
10	2					B030-5280-X122A	Spacer
11	2					B030-5280-X123A	Spacer
-	4					F6-SW2NA-4x20S	Machine Screw
12	1					B030-5280-X061A	Block
-	1					F6-SW3NA-4x20S	Machine Screw
* 13	1					B030-5280-V700A	Motor Assembly
14	2					B030-5280-X701A	Shaft
15	2					B030-5280-X702A	Spring
16	2					B030-5280-X704A	Washer
-	2					F6-N1-6S	Nut
17	3					B030-5280-X703A	Bolt
* 18	1					B030-5280-V650A	Auto Cleaner Assembly
-	2					F6-SW2NA-4x10S	Machine Screw
19	1					B030-5280-X064A	Pipe
20	1					B030-5280-X049A	Pipe
21	1					B030-5110-X123A	Plug
22	6					B30L-0710-0022A	Tube Clamp
* 23	1					B98L-0615-0012A#L2000	Tube (#L0270)
* 24	1					B98L-0615-0013A#L2000	Tube (#L0300)
25	1					B030-5280-X053A	Joint
* 26	1					B98L-0615-0013A#L2000	Tube (#L0580)
* 27	1					B98L-0615-0013A#L2000	Tube (#L0600)
28	1					B030-5280-X054A	Joint
29	1					B300-0415-X011A	Hose Tap
30	1					B30L-0710-0012A	Tube Clamp
* 31	1					B98L-0615-0014A#L2000	Tube (#L0100)

M243XL (MTU)

2

FIGURE 5-1. VALVE, AUTO CLEANER, MOTOR ASSEMBLY



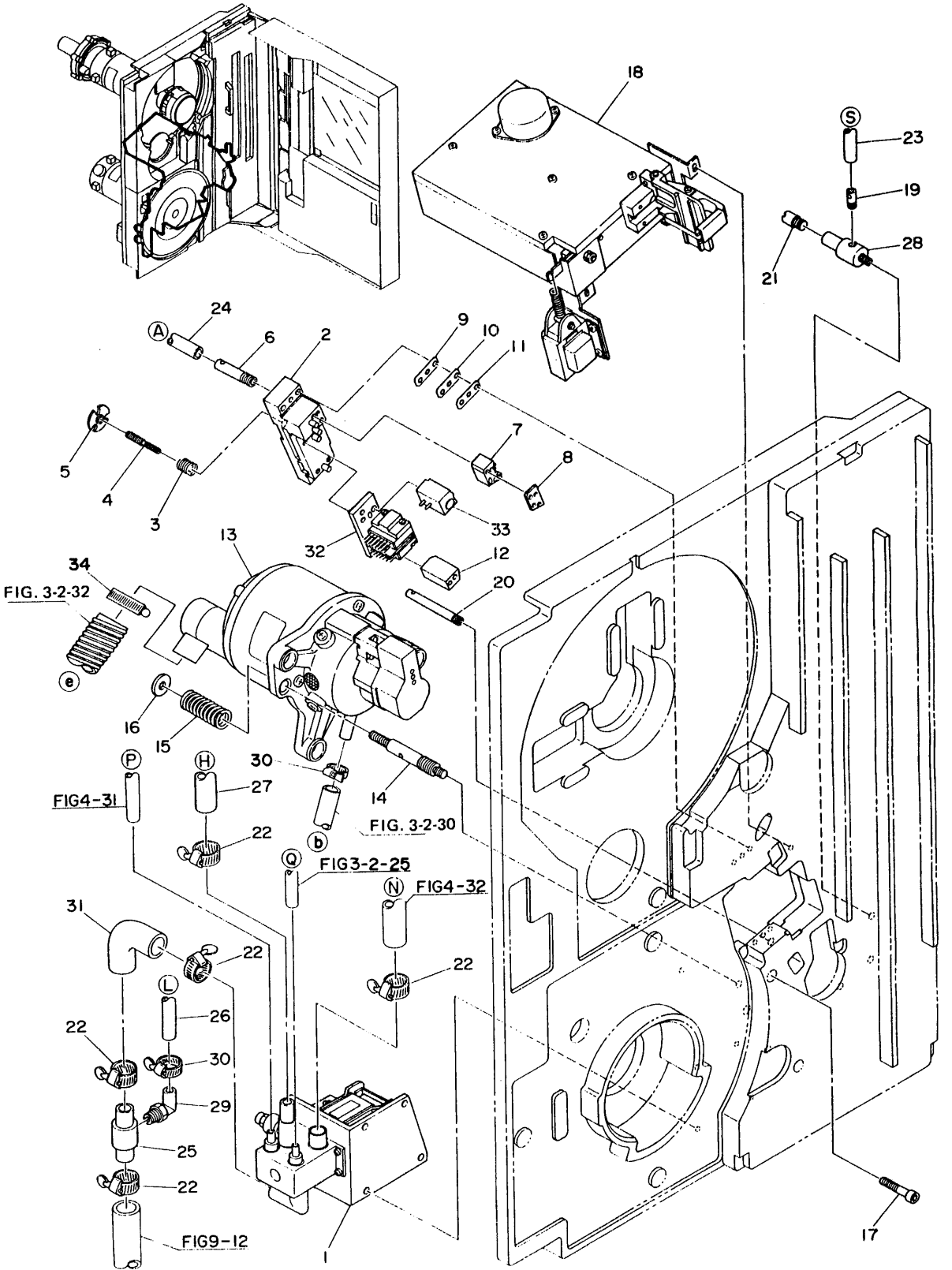
M243XL (MTU)	2
--------------	---

FIGURE 5-1. VALVE, AUTO CLEANER, MOTOR ASSEMBLY (continued)

INDEX NO.	COMPOSITION & QUANTITY	SPECIFICATION	DESCRIPTION
* 32	1	B860-1480-T041A	Magnetic Head (M2430L, M2434L1/L2)
* 32	1	B860-1480-T042A	Magnetic Head (M2431L)
* 32	1	B860-1480-T043A	Magnetic Head (M2432L, M2435L1/L2)
* 32	1	B860-1480-T044A	Magnetic Head (M2433L)
-	2	F6-SW2NA-4x12S	Machine Screw
-	1	F6-SBD-3x6S-M-NI1A	Machine Screw
-	1	F6-WH-3PB	Washer
* 33	1	B860-0790-T002A	Erase Head
-	1	F6-SW3NA-4x35S	Screw

M243XL (MTU)	2
--------------	---

FIGURE 5-2. VALVE, AUTO CLEANER, MOTOR ASSEMBLY



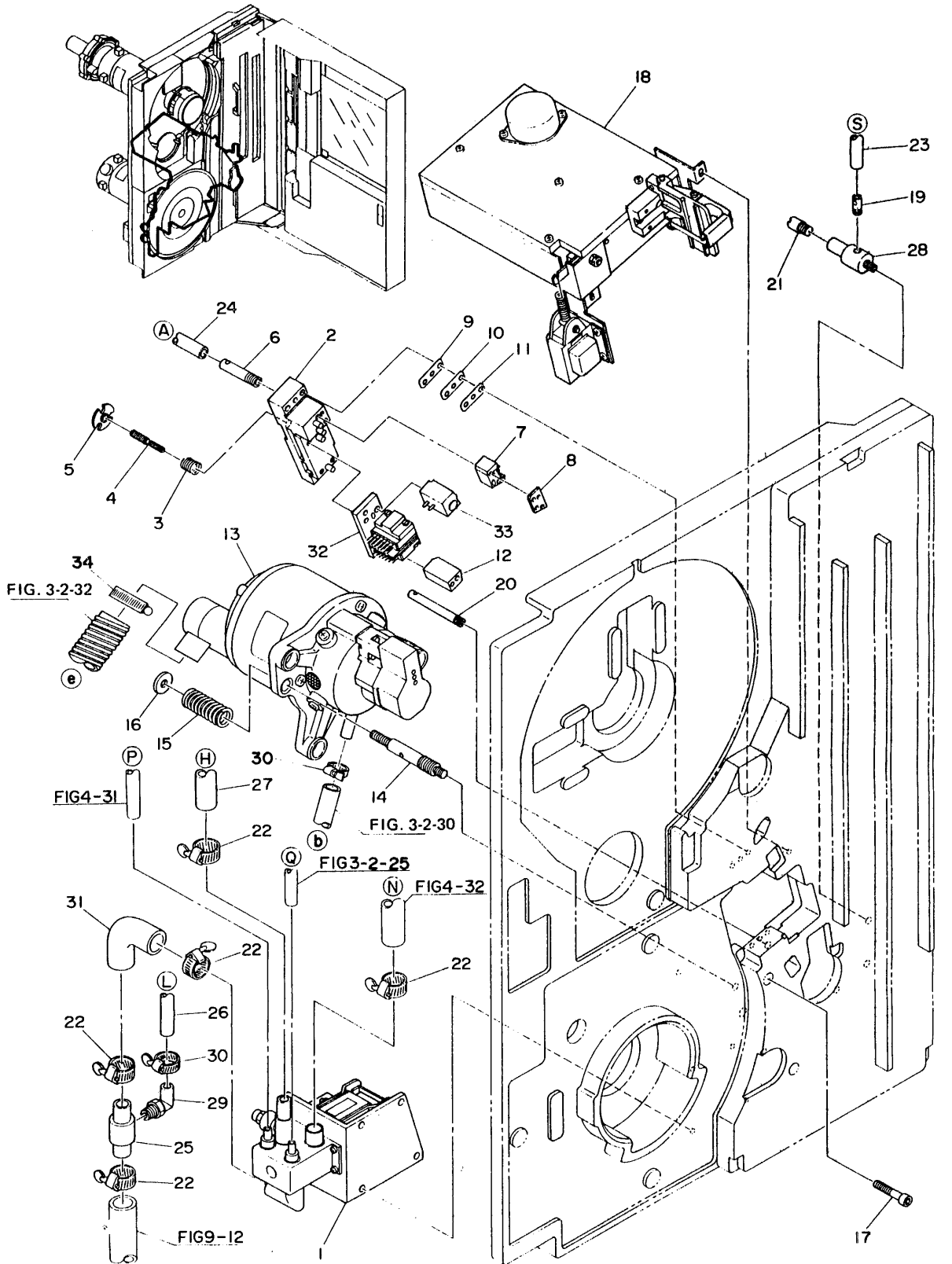
M2436L (MTU)	2
--------------	---

FIGURE 5-2. VALVE, AUTO CLEANER, MOTOR ASSEMBLY

INDEX NO.	COMPOSITION & QUANTITY					SPECIFICATION	DESCRIPTION
	1					B030-5280-T001A	Magnetic Tape Panel
* 1		1				B030-5280-V560A	Valve Assembly
-		8				F6-SW3NA-4X14S	Machine Screw
		1				B030-5280-V100A	Base Assembly
2			1			B030-5280-X101A	Base
			3			B030-5180-X132A	Pin
			2			B030-5180-X133A	Pin
3			1			B030-5180-X103A	Spring
4			1			B300-0410-X007A	Screw
5			1			B030-5180-X102A	Nut
-			3			F6-SBD-4x6S-M-N11A	Machine Screw
6			1			B030-5060-X147A	Pipe
			1			B030-5180-V108A	Tape Cleaner
7			1			B030-5180-V109A	Cleaner
8			1			B030-5180-X129A	Plate
-			2			F6-SBD-3x20S-M-N11A	Machine Screw
9			6			B030-5280-X121A	Spacer
10			2			B030-5280-X122A	Spacer
11			2			B030-5280-X123A	Spacer
-			4			F6-SW2NA-4x20S	Machine Screw
12			1			B030-5280-X061A	Block
-			1			F6-SW3NA-4x20S	Machine Screw
* 13			1			B030-5280-V700A	Motor Assembly
14			2			B030-5280-X701A	Shaft
15			2			B030-5280-X702A	Spring
16			2			B030-5280-X704A	Washer
-			2			F6-N1-6S	Nut
17			3			B030-5280-X703A	Bolt
* 18			1			B030-5280-V650A	Auto Cleaner Assembly
-			2			F6-SW2NA-4x10S	Machine Screw
19			1			B030-5280-X064A	Pipe
20			1			B030-5280-X049A	Pipe
21			1			B030-5110-X123A	Plug
22			6			B30L-0710-0022A	Tube Clamp
* 23			1			B98L-0615-0012A#L2000	Tube (#L0270)
* 24			1			B98L-0615-0013A#L2000	Tube (#L0300)
25			1			B030-5280-X053A	Joint
* 26			1			B98L-0615-0013A#L2000	Tube (#L0580)
* 27			1			B98L-0615-0013A#L2000	Tube (#L0600)
28			1			B030-5280-X054A	Joint
29			1			B300-0415-X011A	Hose Tap
30			1			B30L-0710-0012A	Tube Clamp
* 31			1			B98L-0615-0014A#L2000	Tube (#L0100)
* 32		1				B860-1480-T041A	Magnetic Head (M2430L, M2434L1/L2)
* 32		1				B860-1480-T042A	Magnetic Head (M2431L)

M2436L (MTU)	2
--------------	---

FIGURE 5-2. VALVE, AUTO CLEANER, MOTOR ASSEMBLY



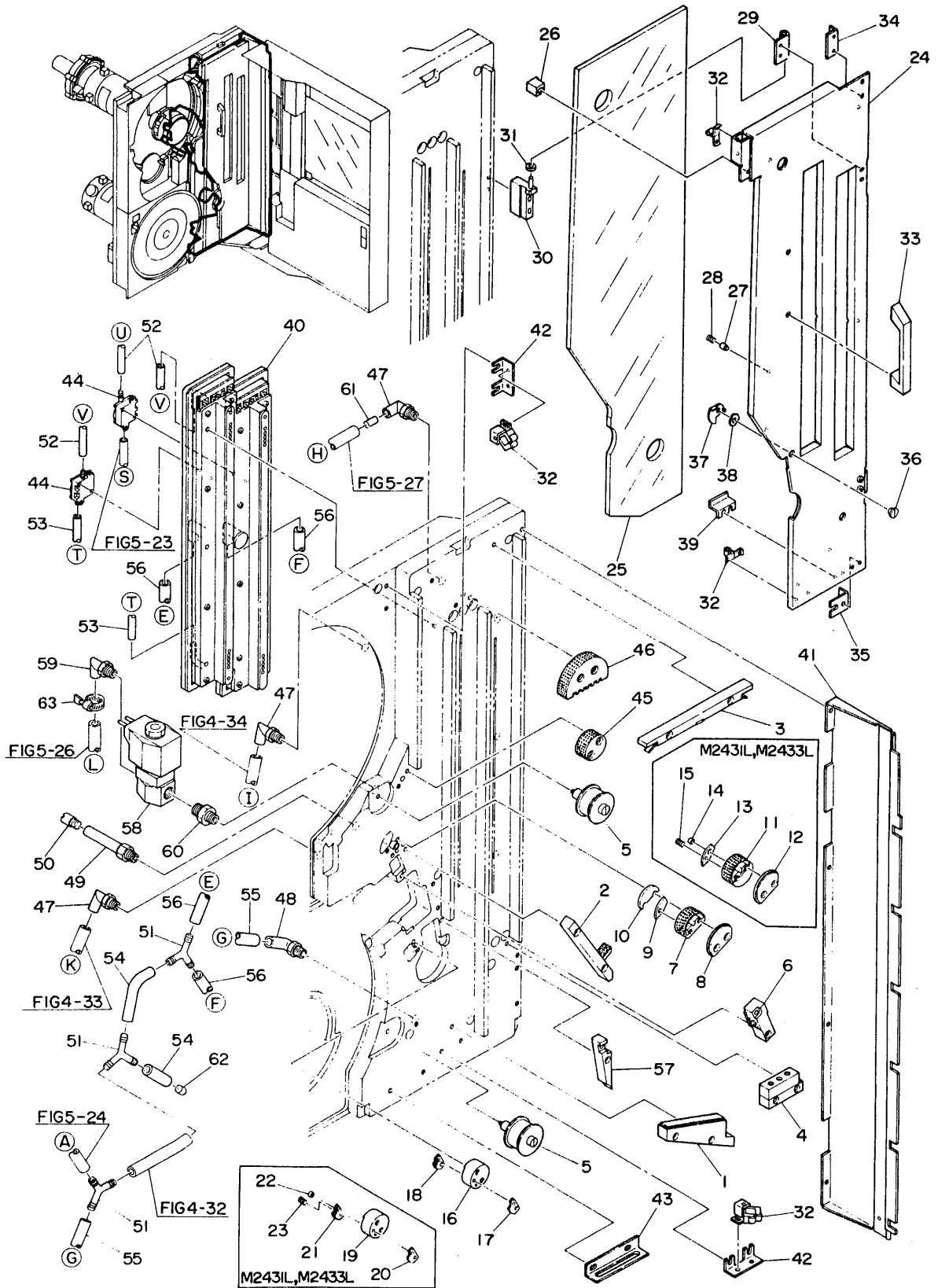
M2436L (MTU)	2
--------------	---

FIGURE 5-2. VALVE, AUTO CLEANER, MOTOR ASSEMBLY (continued)

INDEX NO.	COMPOSITION & QUANTITY						SPECIFICATION	DESCRIPTION
* 32	1					B860-1480-T043A	Magnetic Head (M2432L, M2435L1/L2)	
* 32	1					B860-1480-T044A	Magnetic Head (M2433L)	
-	2					F6-SW2NA-4x12S	Machine Screw	
-	1					F6-SBD-3x6S-M-NI1A	Machine Screw	
-	1					F6-WH-3PB	Washer	
* 33	1					B860-0790-T002A	Erase Head	
-	1					F6-SW3NA-4x35S	Screw	

M2436L (MTU)	2
--------------	---

FIGURE 6. COLUMN COVER, CAPACITIVE SENSOR, GUIDE ASSEMBLY



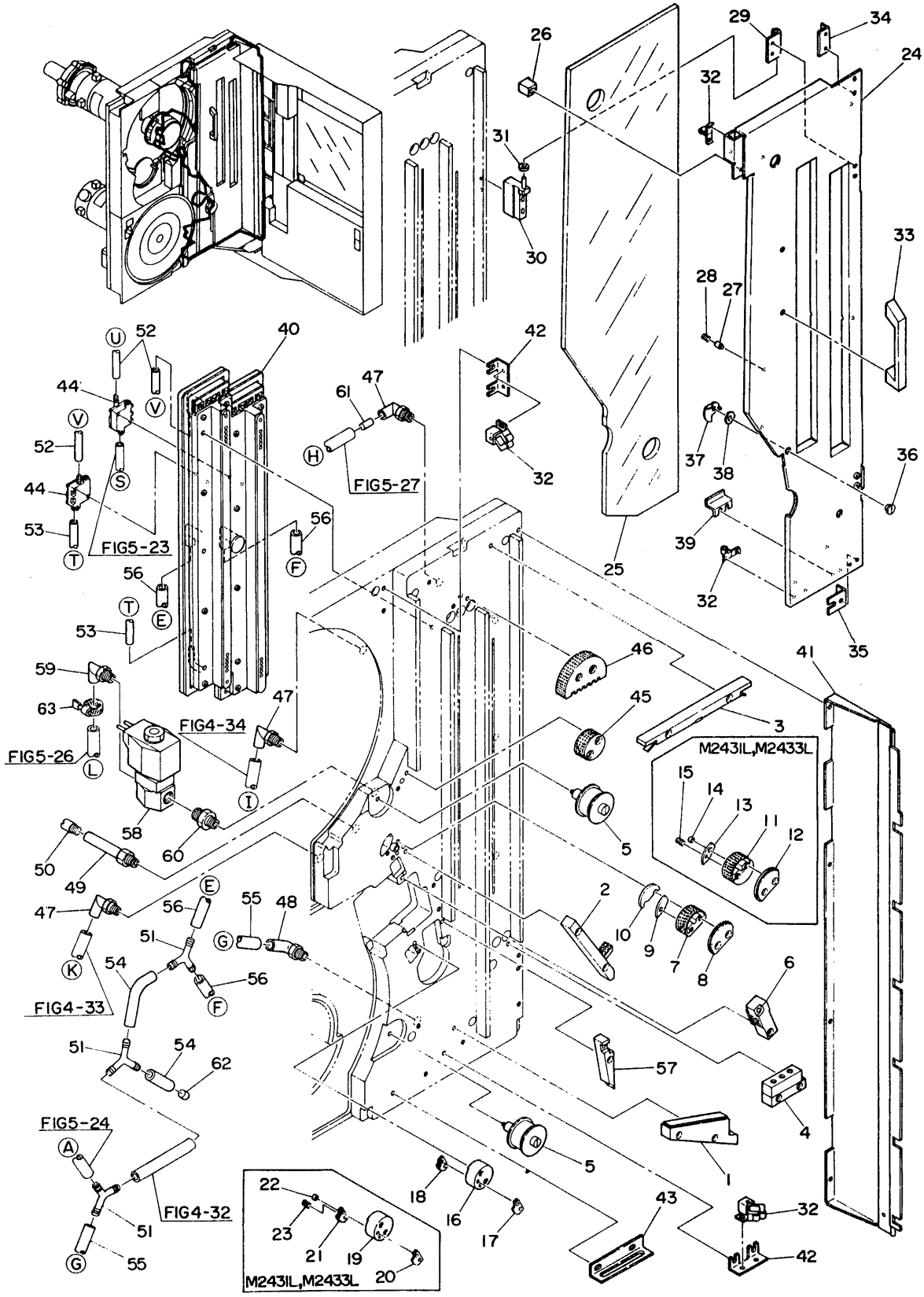
M243XL (MTU)	2
--------------	---

FIGURE 6. COLUMN COVER, CAPACITIVE SENSOR, GUIDE ASSEMBLY

INDEX NO.	COMPOSITION & QUANTITY				SPECIFICATION	DESCRIPTION
	1				B030-5280-T001A	Magnetic Tape Panel (M2430L/32L, M2434L1/L2, M2435L1/L2, M2436L1/L2/L8)
	1				B030-5280-T002A	Magnetic Tape Panel (M2431L, M2433L)
1	1				B030-5280-W007A	Rib Assembly
-	2				F6-BA-4x12-M-ZN1A	Bolt
2	1				B030-5280-W008A	Rib Assembly
-	2				F6-BA-4x12-M-ZN1A	Bolt
3	1				B030-5280-W009A	Rib Assembly
-	2				F6-BA-4x12-M-ZN1A	Bolt
4	1				B030-5280-W016A	Rib Assembly
-	2				F6-BA-4x12-M-ZN1A	Bolt
* 5	2				B30L-0040-0015A	Roller Guide
* 6	1				B030-5280-V101A	Photo Sense Block
-	2				F6-SBD-4x16S-M-N11A	Machine Screw
*	1				B030-5280-V104A	Upper Guide Assembly (M2430L/32L, M2434L1/L2, M2435L1/L2, M2436L1/L2/L8)
7	1				B030-5280-X109A	Upper Guide
* 8	1				B030-5280-X110A	Flange
* 9	1				B030-5280-X111A	Flange
-	2				F6-SBD-3x6S-M-N11A	Machine Screw
10	1				B030-5280-X130A	Cover
*	1				B030-5280-V105A	Upper Guide Assembly ... (M2431L, M2433L)
11	1				B030-5280-X116A	Upper Guide
* 12	1				B030-5280-X112A	Flange
* 13	1				B030-5280-X128A	Movable Flange
14	1				B030-5280-X131A	Spacer
-	1				F6-SBD-3x6S-M-N11A	Machine Screw
15	1				B030-5180-X119A	Spring
-	2				F6-SSA-4x20S	Machine Screw
*	1				B030-5280-V106A	Lower Guide Assembly (M2430L/32L, M2434L1/L2, M2435L1/L2, M2436L1/L2/L8)
16	1				B030-5280-X113A	Lower Guide
* 17	1				B030-5280-X114A	Flange
-	2				F6-SBD-3x6S-M-N11A	Machine Screw
* 18	1				B030-5280-X115A	Flange
-	2				F6-SBD-3x6S-M-N11A	Machine Screw
*	1				B030-5280-V107A	Lower Guide Assembly ... (M2431L, M2433L)
19	1				B030-5280-X117A	Lower Guide
* 20	1				B030-5280-X114A	Flange
-	2				F6-SBD-3x6S-M-N11A	Machine Screw
* 21	1				B030-5280-X129A	Movable Flange
22	1				B030-5280-X131A	Spacer
-	1				F6-SBD-3x6S-M-N11A	Machine Screw
23	1				B030-5180-X111A	Spring
-	2				F6-SBD-4x16S-M-N11A	Machine Screw
	1				B030-5280-V260A	Column Cover

M243XL (MTU)	2
--------------	---

FIGURE 6. COLUMN COVER, CAPACITIVE SENSOR, GUIDE ASSEMBLY



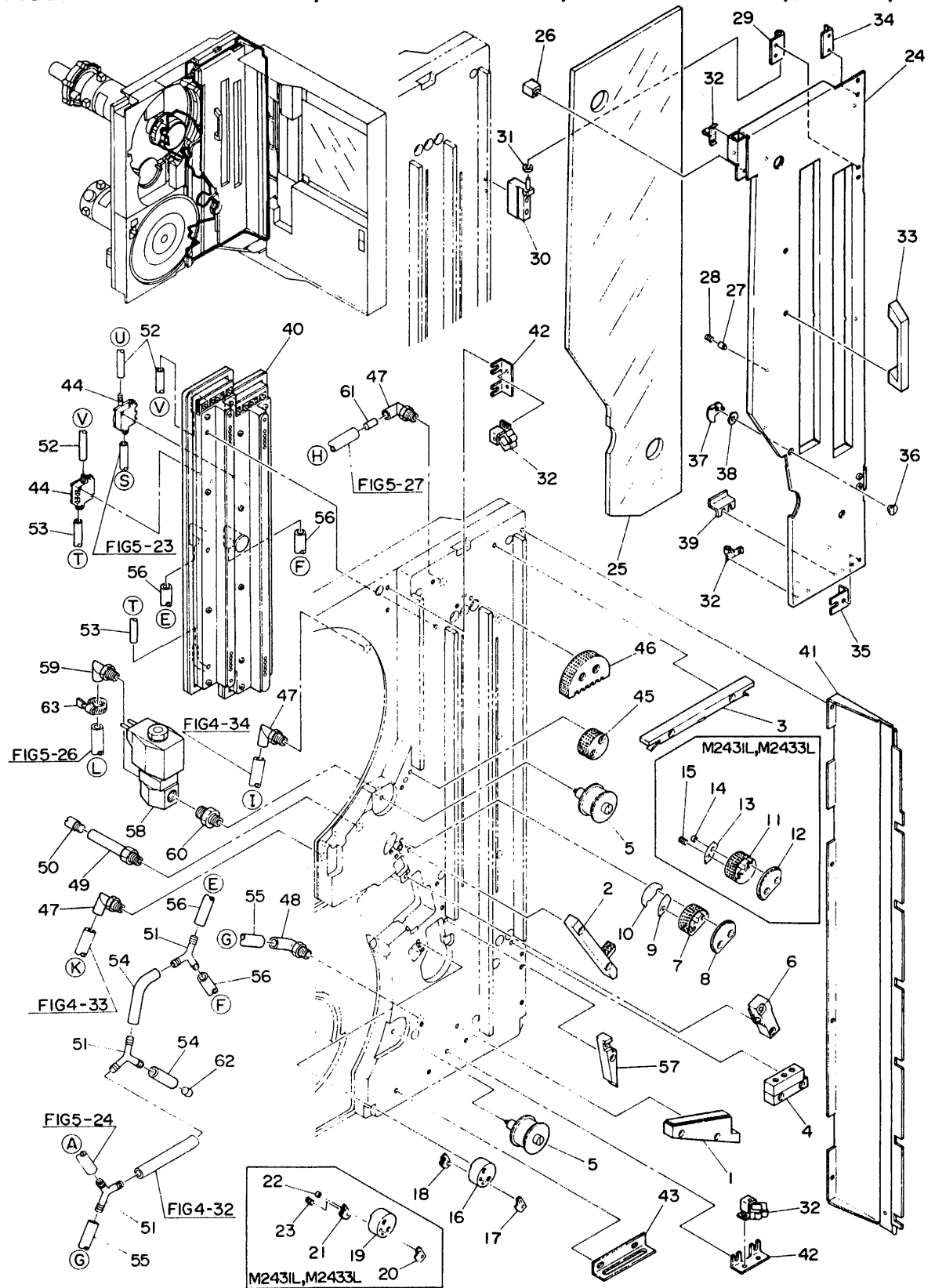
M243XL (MTU)	2
--------------	---

FIGURE 6. COLUMN COVER, CAPACITIVE SENSOR, GUIDE ASSEMBLY (continued)

INDEX NO.	COMPOSITION & QUANTITY				SPECIFICATION	DESCRIPTION
24		1			B030-5280-W261A	Cover Assembly
25		1			B030-5280-X265A	Column Plate
26		3			B030-5280-X266A	Block
-		3			F-SBD-3x16S-M-ZN2A	Machine Screw
27		5			B030-5280-X267A	Screw
28		5			B030-5280-X268A	Spring
29		2			B030-5280-X269A	Metal Fitting
-		4			F6-SBD-3x8S-M-ZN2A	Machine Screw
30		2			B030-5280-W262A	Hinge Assembly
-		4			F6-SBD-4x8S-M-ZN2A	Machine Screw
31		2			B030-5280-X272A	Spacer
32		2			B30L-0970-0004A	Roller Catch
-		8			F6-SBD-2.5x5S-M-ZN2A	Machine Screw
-		2			F6-N3-2.5S	Nut
33		1			B30L-2580-0001A	Knob
-		2			F6-SBD-5x10S	Machine Screw
34		1			B030-5280-X279A	Metal Fitting
-		2			F6-SBD-3x6S-M-ZN2A	Machine Screw
35			1		B030-5280-X285A	Metal Fitting
-			2		F6-SBD-3x5S-M-ZN2N	Machine Screw
36		1			B030-5280-X280A	Shaft
-		1			F6-SBD-3x6S-M-ZN2A	Machine Screw
-		1			F6-WK-6S	Washer
37		1			B030-5280-X281A	Plate
38		1			CT-W6-IWATADENKO	Wave Washer
39		1			B030-5280-X283A	Metal Fitting
-			2		F6-SBD-3x5S-M-ZN2A	Machine Screw
-		4			F6-SBD-3x6S-M-NI1A	Machine Screw
* 40		1			B030-5280-V250A	Capacitive Sensor
-		6			F6-SBD-4x20S-M-NI1A	Machine Screw
41		1			B030-5280-V015A	Side Plate Assembly
-		4			F6-SN2NA-4x10S	Machine Screw
42		2			B030-5280-X021A	Metal Fitting
-		4			F6-SBD-4x6S-M-NI1A	Machine Screw
43		1			B030-5280-X028A	Metal Fitting
-		2			F6-SBD-4x6S-M-NI1A	Machine Screw
* 44		2			B57L-0090-0032A	Pressure Sensor
-		4			F6-SBD-2x6S-M-NI1A	Machine Screw
45		1			B030-5280-X124A	Air Bearing
-		2			F6-SBD-4x16S-M-NI1A	Machine Screw
46		1			B030-5280-X126A	Air Bearing
-		2			F6-SBD-4x16S-M-NI1A	Machine Screw
47		4			B300-0415-X011A	Hose Tap
48		1			B300-0415-X010A	Hose Tap
49		1			B030-5185-X142A	Pipe
50		1			B030-5110-X123A	Stopper

M243XL (MTU)	2
--------------	---

FIGURE 6. COLUMN COVER, CAPACITIVE SENSOR, GUIDE ASSEMBLY (continued)



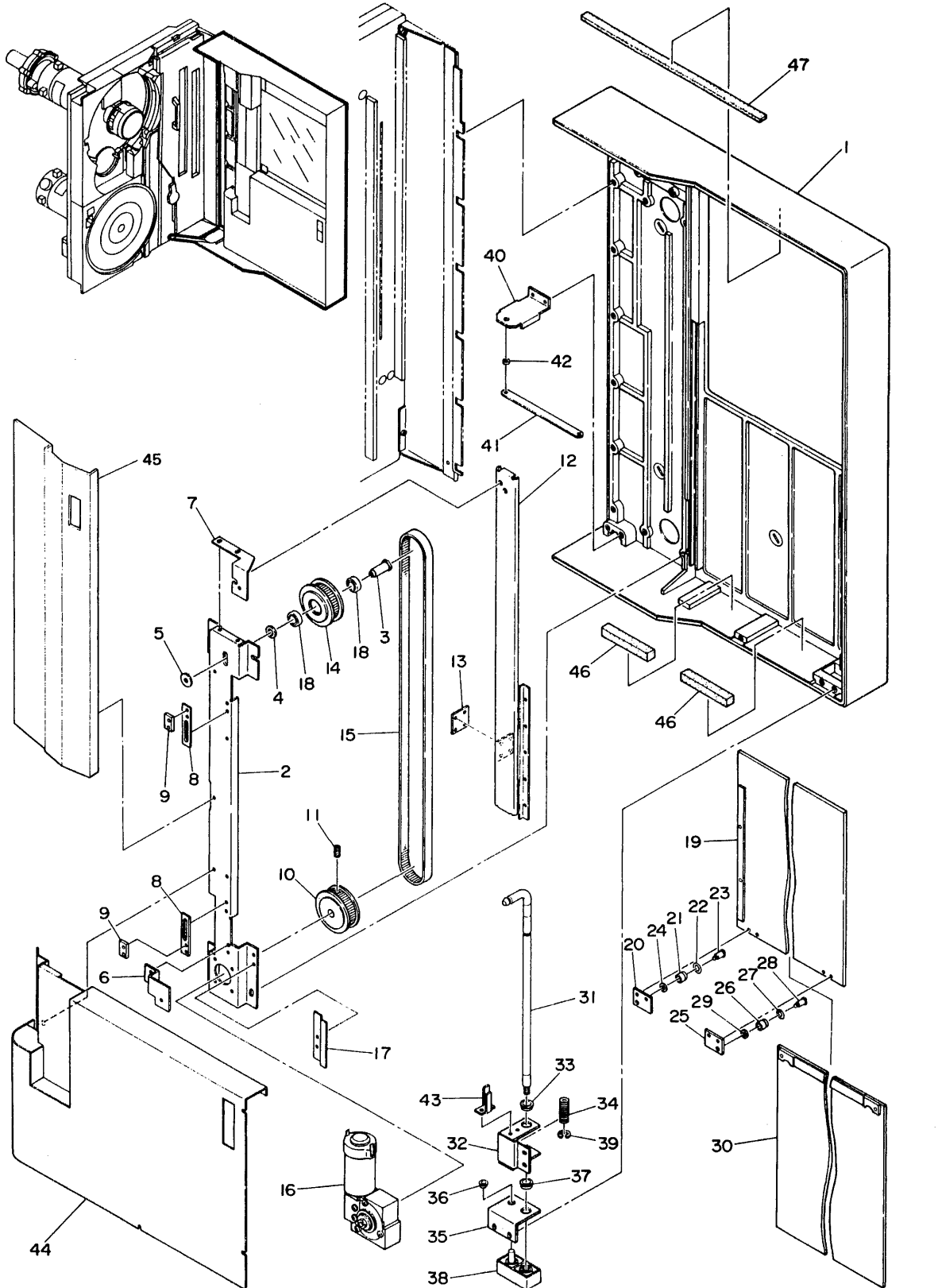
M243XL (MTU)	2
--------------	---

FIGURE 6. COLUMN COVER, CAPACITIVE SENSOR, GUIDE ASSEMBLY

INDEX NO.	COMPOSITION & QUANTITY						SPECIFICATION	DESCRIPTION
51	3					B30L-1860-0002A	Joint	
* 52	2					B98L-0615-0012A#L2000	Tube (#L0070)	
* 53	1					B98L-0615-0012A#L2000	Tube (#L0220)	
* 54	2					B98L-0615-0013A#L2000	Tube (#L0040)	
* 55	1					B98L-0615-0013A#L2000	Tube (#L0430)	
* 56	2					B98L-0615-0013A#L2000	Tube (#L0150)	
57	1					B030-5280-W010A	Rib Assembly	
-	2					F6-BA-4x12-M-ZN1A	Bolt	
*	1					B860-0585-T020A	Valve ASM	
58		1				B86L-0585-0004A	Solenoid	
59		1				B30L-1450-0011A	Hose Tap	
60		1				B30L-1460-0020A	Niple	
61		1				B030-5280-X058A	Orifice	
62		1				B030-5280-X060A	Orifice	
64		1				B30L-0710-0012A	Tube Clamp	

M243XL (MTU)	2
--------------	---

FIGURE 7. FRONT DOOR ASSEMBLY



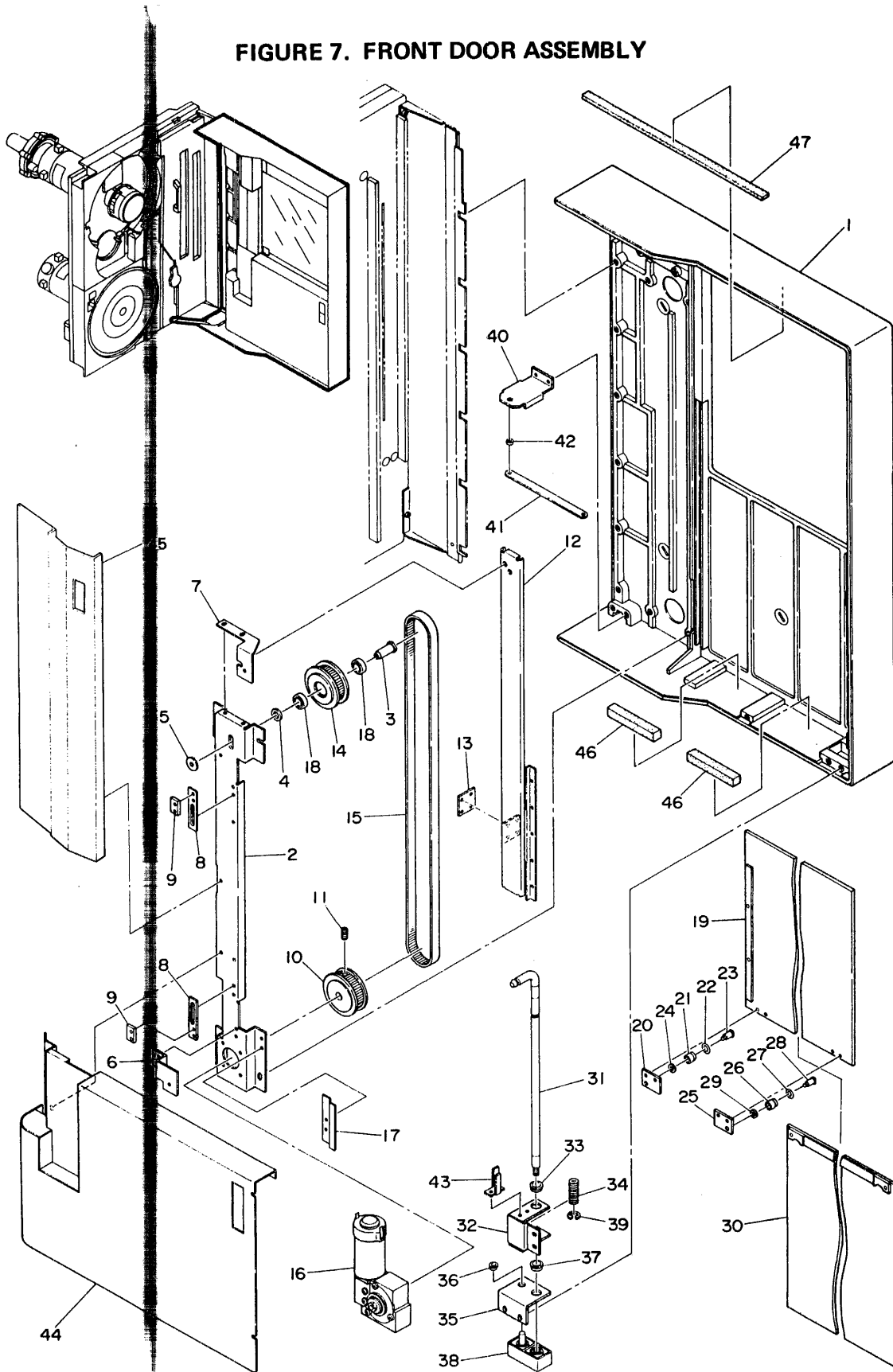
M243XL (MTU)	2
--------------	---

FIGURE 7. FRONT DOOR ASSEMBLY

INDEX NO.	COMPOSITION & QUANTITY				SPECIFICATION	DESCRIPTION
	1				B03B-5280-D106A	Front Door
		1			B030-5280-V910A	Front Door
1			1		B030-5280-W922A	Front Door Assembly
			1		B030-5280-X984A	Packing
*			1		B030-5280-V911A	Power Window
2			1		B030-5280-X951A	Plate
3			1		B030-5280-X952A	Shaft
-			1		F6-BA-4x8	Bolt
4			1		B030-5280-X953A	Spacer
5			1		B030-5280-X954A	Washer
6			1		B030-5280-X955A	Metal Fitting
-			2		F6-SBD-3x6S-M-N11A	Machine Screw
7			1		B030-5280-X956A	Metal Fitting
-			2		F6-BA-3x6	Bolt
8			2		B030-5280-X957A	Metal Fitting
-			4		F6-SW2NA-3x8S-M-N11A	Machine Screw
* 9			2		B55L-0140-0005A	Micro Switch
-			4		F6-SBD-2x8S-M-N11A	Machine Screw
10			1		B30L-1940-0010A	Pulley
11			1		F6-SAKT-4x10	Screw
* 12			1		B27L-0230-0005A	Slide Rail
-			2		F6-SSA-4x6S-M-N11A	Machine Screw
13			1		B030-5280-X960A	Plate
-			4		F6-SBD-3x6S-M-N11A	Machine Screw
14			1		B30L-1940-0011A	Pulley
* 15			1		B30L-0360-0002A#L0430	Belt
16			1		B030-5280-V912A	Clutch Assembly
-			4		F6-SSA-3x6S-M-N11A	Machine Screw
17			1		B030-5280-X967A	Metal Fitting
-			2		F6-SW2NA-3x5S	Machine Screw
18			2		CT-LF-1480ZZ-NMB	Bearing
-		4			F6-SBD-4x8S-M-N11A	Machine Screw
19		1			B030-5285-W913A	Slider Assembly
			1		B030-5285-Y903A	Slider
			1		B030-5280-X974A	Metal Fitting
			1		B030-5280-W920A	Metal Fitting Assembly
20			1		B030-5280-Y909A	Metal Fitting
21			1		B030-5280-Y911A	Roller
22			1		CT-P6-NIPPON OIL SEAL	O Ring
23			1		B030-5280-Y912A	Shaft
24			1		F6-WK-4S	Washer
-			1		F6-N3-3S	Nut
			1		B030-5280-W921A	Metal Fitting Assembly
25			1		B030-5280-Y909A	Metal Fitting
26			1		B030-5280-Y911A	Roller
27			1		CT-P6-NIPPON OIL SEAL	O Ring

M243XL (MTU)	2
--------------	---

FIGURE 7. FRONT DOOR ASSEMBLY



M243XL (MTU)	2
--------------	---

FIGURE 7. FRONT DOOR ASSEMBLY(continued)

INDEX NO.	COMPOSITION & QUANTITY				SPECIFICATION	DESCRIPTION
28				1	B030-5280-Y912A	Shaft
29				1	F6-WK-4S	Washer
-				1	F6-N3-3S	Nut
-			6		F6-SSA-3x6S-M-NI1A	Machine Screw
-		3			F6-SBD-3x6S-M-NI1A	Machine Screw
30		1			B030-5285-W914A	Slider Assembly
31		1			B030-5280-X978A	Stick
		1			B030-5280-W915A	Metal Fitting Assembly
32		1			B030-5280-X979A	Metal Fittig
33		1			B98L-0620-0008A	Nylon Bearing
-		2			F6-SBD-3x6S-M-NI1A	Machine Screw
34		1			B030-5280-X937A	Spring
		1			B030-5280-W917A	Metal Fitting Assembly
35		1			B030-5280-X980A	Metal Fitting
36		1			B98L-0620-0006A	Nylon Bearing
37		1			B98L-0620-0008A	Nylon Bearing
-		2			F6-SBD-3x6S-M-NI1A	Machine Screw
38		1			B210-0450-X051A	Knob
39		1			F6-ER-6SUS	Ring
40		1			B030-5280-X982A	Metal Fitting
-		2			F6-SBD-4x8S-M-ZN2A	Machine Screw
41		1			B030-5280-X983A	Arm
-		2			F6-SBD-4x6S-M-ZN2A	Machine Screw
42		2			B030-5280-X999A	Spacer
-		2			B300-1720-X001A	Washer
43		1			B030-5280-X988A	Metal Fitting
-		2			F6-SBD-4x6S-M-ZN2A	Machine Screw
44		1			B030-5280-W916A	Lower Cover Assembly
-		4			F6-SBD-3x6S-M-ZN2A	Machine Screw
45		1			B030-5280-Y914A	Upper Cover Assembly
-		2			F6-SBD-3x6S-M-ZN2A	Machine Screw
46		2			B030-5280-X997A	Sponge
47		1			B030-5280-X998A	Sponge
-	6				F6-SBD-4x6S-M-NI1A	Machine Screw

M243XL (MTU)	2
--------------	---

FIGURE 8. SHELF, POWER SUPPLY UNIT, CONTROL UNIT ASSEMBLY

10	09	08	07	06	05	04	03	02	01
									(512189U) (OPTION)
									512188U
									55088U
									512636U
									512186U
									512792U
									512567U

M2434L1/L2

10	09	08	07	06	05	04	03	02	01
									(512189U) (OPTION)
									512188U
									55087U
									512636U
									512186U
									512792U/532661U
									512567U

M2435L1/L2
M2436L1/L2

06	05	04	03	02	01
					VOJMU
					TKBMU
					512648U
					512649U

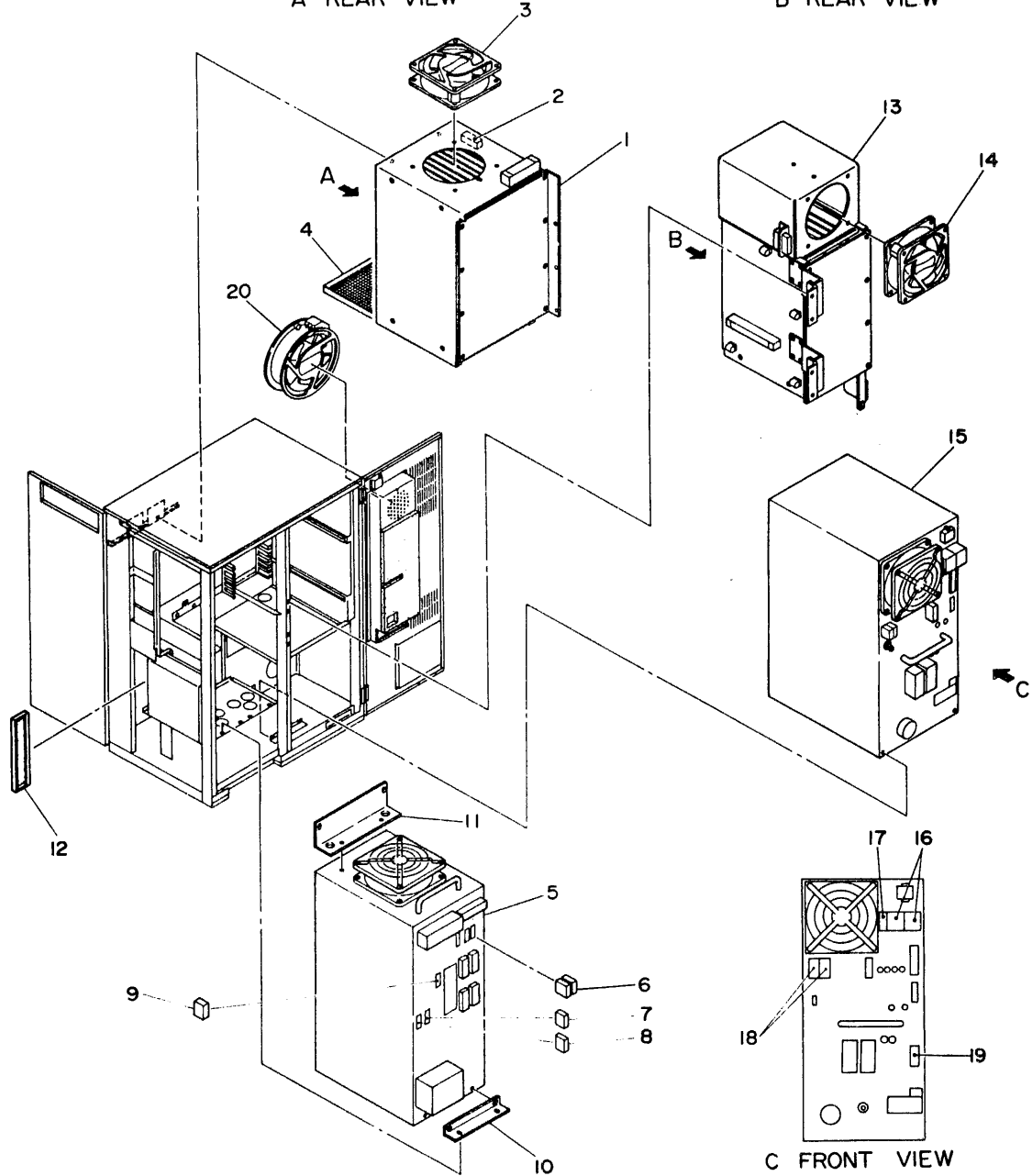
M2430L/31L
M2432L/33L

06	05	04	03	02	01
					VOJMU
					TKHMU
					532521U
					512649U

M2436L8

A REAR VIEW

B REAR VIEW



C FRONT VIEW

M243XL (MTU)	2
--------------	---

FIGURE 8. SHELF, POWER SUPPLY UNIT, CONTROL UNIT ASSEMBLY

INDEX NO.	COMPOSITION & QUANTITY				SPECIFICATION	DESCRIPTION
1	1				B03B-5280-D001A	Logic Gate Assembly (M2434L1/35L1/36L1)
1	2				B03B-5280-D001A	Logic Gate Assembly (M2434L2/35L2/36L2)
* 2	1				B00B-0100-F005A	Thermal Switch
* 3	1				C90L-1220-0220	Fan
-	4				F6-SBD-3x45S-M-N11A	Machine Screw
	1				B250-3240-T951A	Housing
* 4	1	1			B250-3240-V951A	Filter Assembly
-	4				F6-SBD-3x10S-M-N11A	Machine Screw (M2434L1/35L1/36L1)
-	8				F6-SBD-3x10S-M-N11A	Machine Screw (M2434L2/35L2/36L2)
	1				B03B-5280-E311A	Package Shelf (M2434L1)
	2				B03B-5280-E311A	Package Shelf (M2434L2)
*	1				C16B-5121-0880#U	P.C.A.
*	1				C16B-5500-0880#U	P.C.A.
*	1				C16B-5121-0870#U	P.C.A.
*	1				C16B-5127-0920#U	P.C.A.
*	1				C16B-5125-0670#U	P.C.A.
*	1				C16B-5126-0360#U	P.C.A.
*	1				C16B-5121-0890#U	P.C.A. (OPTION)
	1				B03B-5280-E312A	Package Shelf (M2435L1)
	2				B03B-5280-E312A	Package Shelf (M2435L2)
*	1				C16B-5121-0880#U	P.C.A.
*	1				C16B-5500-0870#U	P.C.A.
*	1				C16B-5121-0870#U	P.C.A.
*	1				C16B-5127-0920#U	P.C.A.
*	1				C16B-5125-0670#U	P.C.A.
*	1				C16B-5126-0360#U	P.C.A.
*	1				C16B-5121-0890#U	P.C.A. (OPTION)
* 5	1				B14L-5105-0145A#A1	Power Supply Unit (M2434L1/35L1)
* 5	2				B14L-5105-0145A#A1	Power Supply Unit (M2434L2/35L2)
* 6	2				C60L-0260-0008	Fuse (F3, F4)
* 7	1				C60L-0250-0013	Fuse (F1)
* 8	1				C60L-0250-0011	Fuse (F2)
* 9	1				C60L-0020-0001#MP32	Fuse (F5)
10	1				B210-1360-X646A	Metal Fitting (M2434L1/35L1)
-	4				F6-SBD-4x10S-M-N11A	Machine Screw (M2434L1/35L1)
10	2				B210-1360-X646A	Metal Fitting (M2434L2/35L2)
-	8				F6-SBD-4x10S-M-N11A	Machine Screw (M2434L2/35L2)
11	1				B210-1360-X601A	Metal Fitting (M2434L1/35L1)
-	4				F6-SBD-4x10S-M-N11A	Machine Screw (M2434L1/35L1)
11	2				B210-1360-X601A	Metal Fitting (M2434L2/35L2)
-	8				F6-SBD-4x10S-M-N11A	Machine Screw (M2434L2/35L2)
	1				B210-1360-T610A	Locker
* 12	1				B210-1360-W611A	Filter Assembly
-	2				F6-SBD-3x10S-M-N11A	Machine Screw

M243XL (MTU)	2
--------------	---

FIGURE 8. SHELF, POWER SUPPLY UNIT, CONTROL UNIT ASSEMBLY

10	09	08	07	06	05	04	03	02	01
				512567U	512792U	512186U	512636U	55088U	(512189U) (OPTION)

M2434L1/L2

10	09	08	07	06	05	04	03	02	01
				512567U	512792U/532661U	512186U	512636U	55087U	(512189U) (OPTION)

M2435L1/L2
M2436L1/L2

06	05	04	03	02	01
512649U	512648U	TKBMU	VOJMU		

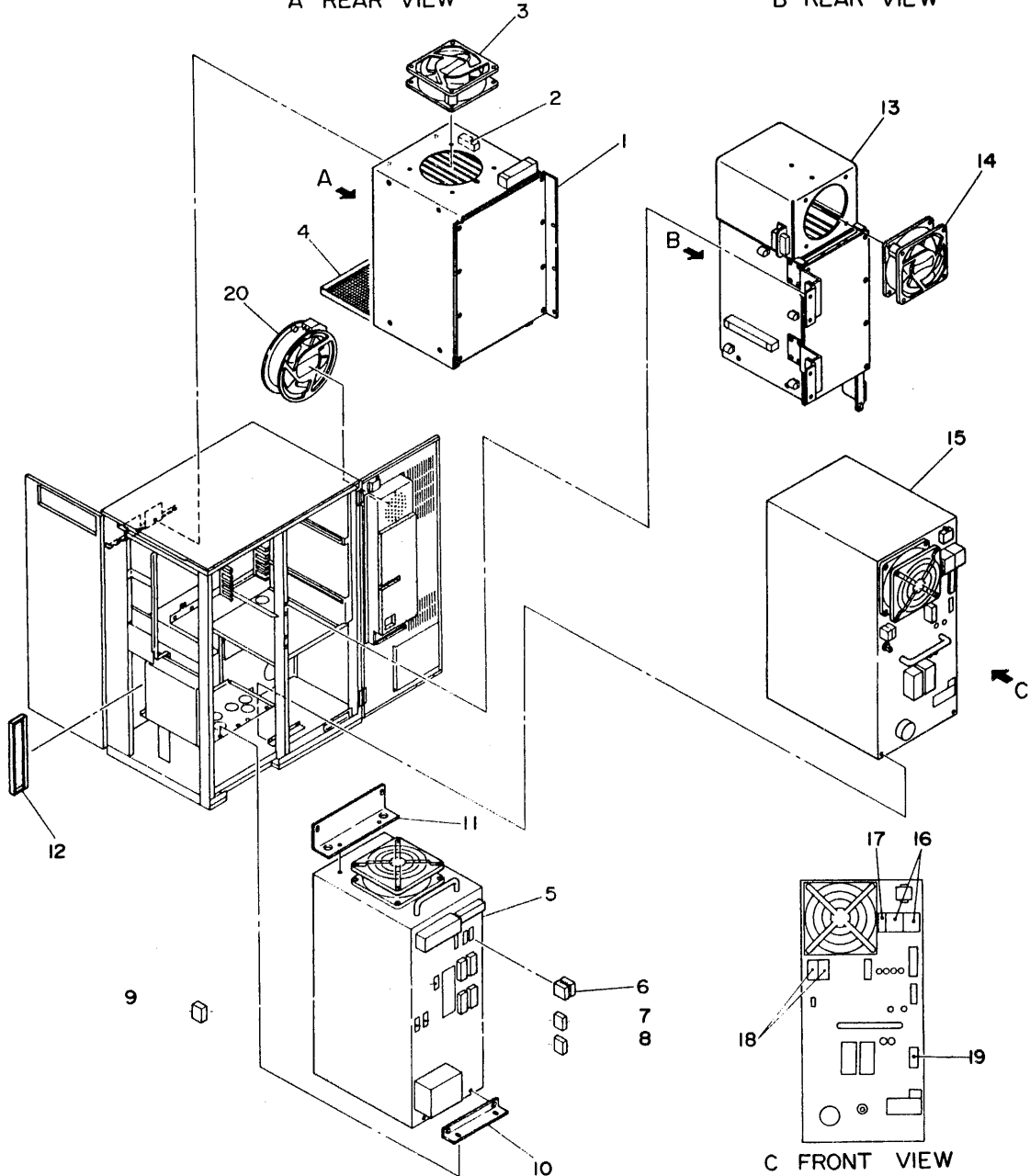
M2430L/31L
M2432L/33L

06	05	04	03	02	01
512649U	532521U	TKHMU	VOJMU		

M2436L8

A REAR VIEW

B REAR VIEW



C FRONT VIEW

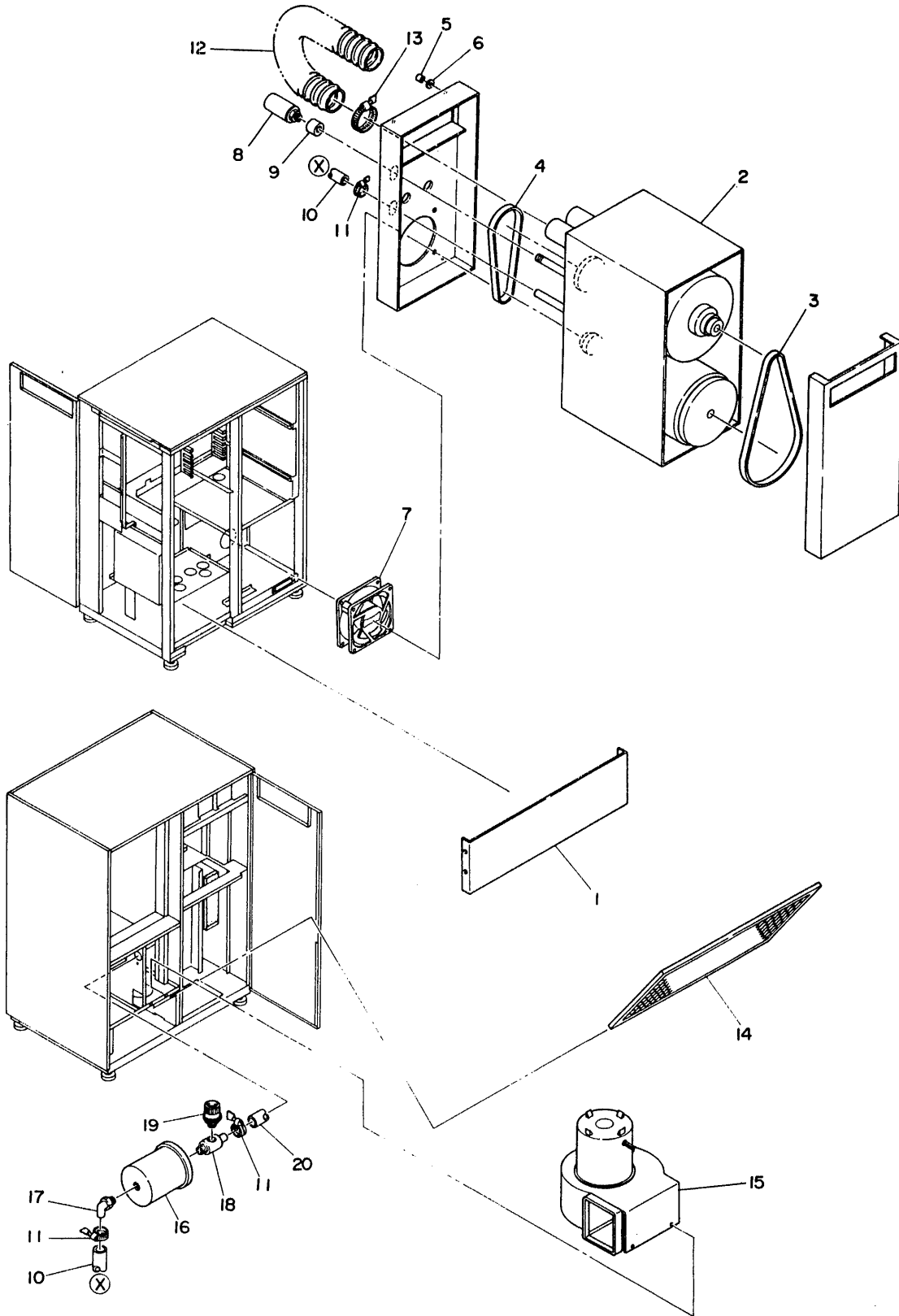
M243XL (MTU)	2
--------------	---

FIGURE 8. SHELF, POWER SUPPLY UNIT, CONTROL UNIT ASSEMBLY (continued)

INDEX NO.	COMPOSITION & QUANTITY				SPECIFICATION	DESCRIPTION
	1				B03B-5280-C001A	MTU Subassembly (M2430L, M2434L1/L2)
	1				B03B-5280-C002A	MTU Subassembly (M2431L)
	1				B03B-5280-C003A	MTU Subassembly (M2432L, M2435L1/L2, M2436L1/L2/L8)
	1				B03B-5280-C002A	MTU Subassembly (M2433L)
13	1				B03B-5280-D109A	Control Unit
* 14		1			C90L-1220-0220	Fan
-		4			F6-SBD-3x45S-M-N11A	Machine Screw
-		6			F6-SSA-3x10S-M-N11A	Machine Screw
-		1			F6-SBD-4x10S-M-N11A	Machine Screw
		1			B03B-5280-E114A	Package Shelf
*		1			B16B-7220-0020A#U	P.C.A.
*		1			B16B-7190-0020A#U	P.C.A.
*		1			C16B-5126-0480A#U	P.C.A.
*		1			C16B-5126-0490A#U	P.C.A.
* 15		1			B14L-5105-0144A#A1	Power Supply Unit
* 16		2			C60L-0270-0002	Fuse (F5, F6)
* 17		1			C60L-0260-0010	Fuse (F4)
* 18		2			C60L-0260-0015	Fuse (F2, F3)
* 19		1			C60L-0260-0001#MP05	Fuse (F7)
-		4			F6-SBD-4x10S-M-N11A	Machine Screw
* 20		1			B90L-1200-0001A	Fan
-		4			F6-SW2NA-4x60A-M-N11A	Machine Screw
-		1			F6-N1-4S	Nut
	1				B03B-5280-E314A	Package shelf (M2436L1)
	2				B03B-5280-E314A	Package shelf (M2436L2)
		1			C16B-5121-0880#U	P.C.A.
		1			C16B-5500-0870#U	P.C.A.
		1			C16B-5326-0610#U	P.C.A.
		1			C16B-5125-0670#U	P.C.A.
		1			C16B-5126-0360#U	P.C.A.
		1			C16B-5121-0870#U	P.C.A.
		1			B03B-5280-E115A	Package shelf (M2436L)
		1			B16B-7220-0020A#U	P.C.A.
		1			B16B-7190-0100A#U	P.C.A.
		1			C16B-5325-0210#U	P.C.A.
		1			C16B-5126-0490#U	P.C.A.

M243XL (MTU)	2
--------------	---

FIGURE 9. FILTER UNIT, AIR SUPPLY ASSEMBLY



M243XL (MTU)	1
--------------	---

FIGURE 9. FILTER UNIT, AIR SUPPLY ASSEMBLY

INDEX NO.	COMPOSITION & QUANTITY					SPECIFICATION	DESCRIPTION
1	1					B210-1360-X448A	Plate
-	7					F6-SBD-4x8S-M-N11A	Machine Screw
	1					B03B-5280-C001A	MTU Subassembly (M2430L/32L, M2434L1/L2, M2435L1/L2)
	1					B03B-5280-C002A	MTU Subassembly (M2431L, M2433L)
2	1					B86L-0905-0030A	Air Supply
* 3		1				B30L-0960-0010A#L0800	Belt
* 4		1				B30L-0960-0010A#L0545	Belt
-		2				F6-SBD-4x16S-M-N11A	Machine Screw
-		4				F6-SBD-4x10S-M-N11A	Machine Screw
5		4				B250-3170-X510A	Spacer
6		4				F6-SPK-4x10S	Spacer
* 7		1				C90L-1220-0220	Fan
-		2				F6-SW2NA-4x60S-M-N11A	Machine Screw
-		2				F6-WB-4S	Washer
-		2				F6-WM-4S	Washer
-		2				F6-N1-4S	Nut
* 8		1				CT-SL-10A-CKD	Silencer
9		1				CT-SK-303-KOYO	Socket
* 10		1				B98L-0615-0050A#L0410	Tube
11		4				B30L-0710-0022A	Tube Clamp
* 12		1				B98L-0905-0002A#L0550	Flexible Hose
13		1				B30L-0710-0006A	Hose Band
* 14		1				B210-1360-V651A	Filter
* 15		1				B03B-5280-D107A	Fan Unit
-		2				F6-SBD-4x10S-M-N11A	Machine Screw
		1				B03B-5280-D108A	Filter Unit
* 16		1				B90L-0450-0010A	Absolute Filter
17		1				B300-0410-X009A	Hose Tap
-		3				F6-SBD-4x10S-M-N11A	Machine Screw
18		1				B030-5280-X065A	Joint
19		1				B86L-0470-0001A	Relief Valve
* 20		1				B98L-0615-0014A#L2000	Tube (#L0410)

M243XL (MTU)	1
--------------	---

FIGURE 10. CABLE LIST (MTU SECTION)

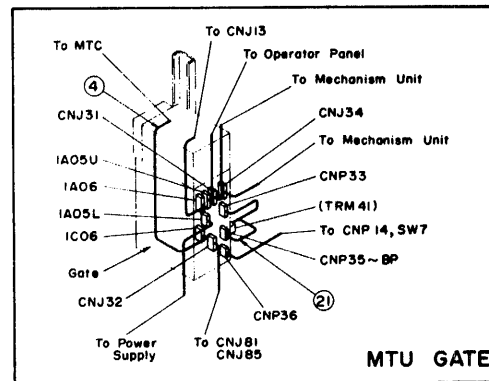
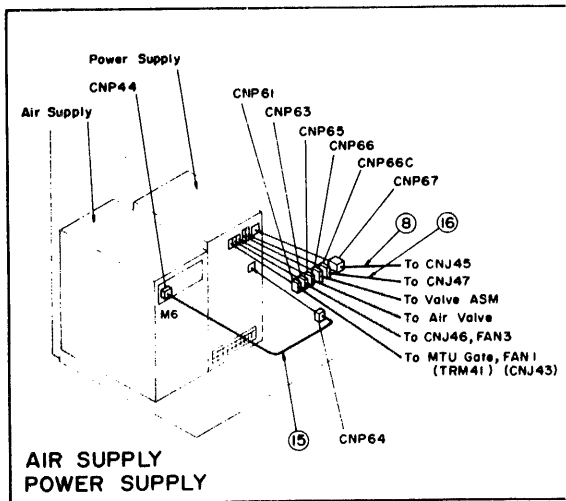
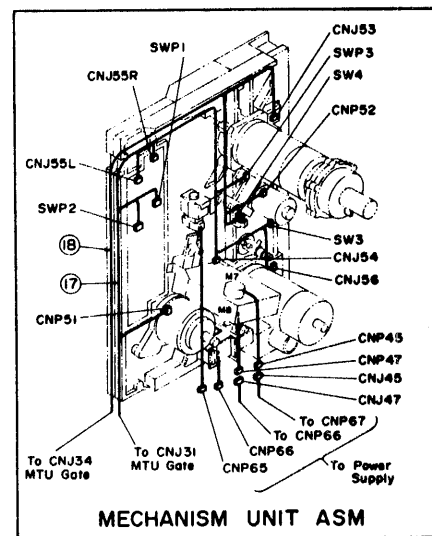
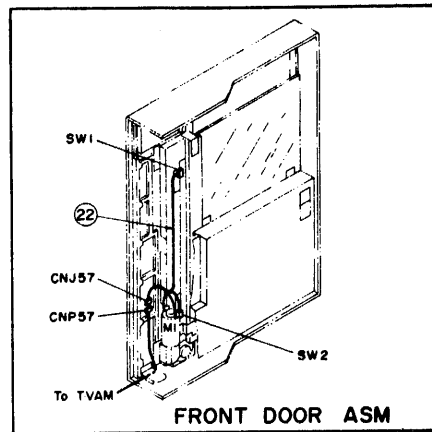
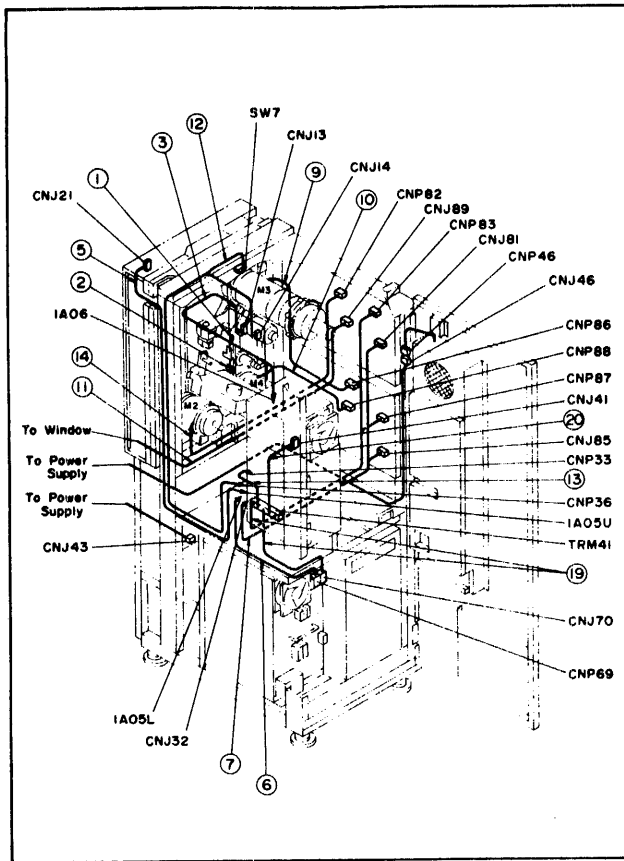


FIGURE 10. CABLE LIST (MTU SECTION)

INDEX NO.	COMPOSITION & QUANTITY				SPECIFICATION	DESCRIPTION
1	1				B03B-5280-0912A#T10	CNJ11 - CNJ02
2	1				B03B-5280-0912A#T11	CNJ12 - CNJ01
3	1				B03B-5280-0912A#T09	1A06 - CNJ13
4	1				B03B-5280-0912A#T05	1C06 - DVO (M2434L, M2435L, M2436L, F618A)
4	1				B03B-5280-0913A#T07	1C06 - DVO (M2430L/1L, M2432L/3L, M2436L8)
5	1				B03B-5280-0911A#T08	1A05U - CNJ21
6	1				B03B-5280-0911A#T09	1A05L - CNJ69
7	1				B03B-5280-0911A#T10	CNJ32 - CNJ81, CNJ85
8	1				B03B-5280-0911A#T11	CNP67 - CNJ45
9	1				B03B-5280-0911A#T14	CNP86 - M3
10	1				B03B-5280-0911A#T15	CNP88 - M4
11	1				B03B-5280-0911A#T16	CNJ89 - CNP57
12	1				B03B-5280-0911A#T17	CNP36 - CNP14, SW7
13	1				B03B-5280-0911A#T18	CNP33 - TRM41
14	1				B03B-5280-0911A#T20	CNP82 - M2
15	1				B03B-5280-0911A#T23	CNP44 - CNP64
16	1				B03B-5280-0911A#T24	CNP66C - CNJ47
17	1				B03T-5280-C001A#T01	CNJ31 - CNJ55R
17	1				B03T-5280-C001A#T01	CNJ31 - CNJ55L
17	1				B03T-5280-C001A#T01	CNJ31 - CNJ54
17	1				B03T-5280-C001A#T01	CNJ31 - CNP51
17	1				B03T-5280-C001A#T01	CNJ31 - CNJ56
17	1				B03T-5280-C001A#T01	CNJ31 - SWP1
17	1				B03T-5280-C001A#T01	CNJ31 - SWP2
17	1				B03T-5280-C001A#T01	CNJ31 - SWP3
17	1				B03T-5280-C001A#T01	CNJ31 - SW3
18	1				B03T-5280-C001A#T02	CNJ34 - SW4
18	1				B03T-5280-C001A#T02	CNJ34 - CNP52
18	1				B03T-5280-C001A#T02	CNJ34 - CNJ53
18	1				B03T-5280-C001A#T02	CNJ34 - HM1
19	1				B03T-5280-C001A#T03	CNP61 - CNJ43
19	1				B03T-5280-C001A#T03	CNP61 - TRM41
19	1				B03T-5280-C001A#T03	CNP70 - TRM41
19	1				B03T-5280-C001A#T03	CNP70 - CNP87
19	1				B03T-5280-C001A#T03	CNP70 - CNP83
19	1				B03T-5280-C001A#T03	CNP46 - FAN4
19	1				B03T-5280-C001A#T03	CNP63 - FAN3
19	1				B03T-5280-C001A#T03	CNP63 - CNJ46
20	1				B03T-5280-C001A#T04	TRM41 - FAN2
21	1				B03T-5280-C001A#T05	CNP35 - 1A00 (BP)
21	1				B03T-5280-C001A#T05	CNP35 - 1B00 (BP)
21	1				B03T-5280-C001A#T05	CNP35 - 1C00 (BP)
22	1				B03T-5280-D106A#T01	CNJ57 - M1
22	1				B03T-5280-D106A#T01	CNJ57 - SW1, SW2

FIGURE 11. CABLE LIST (MASTER SECTION)

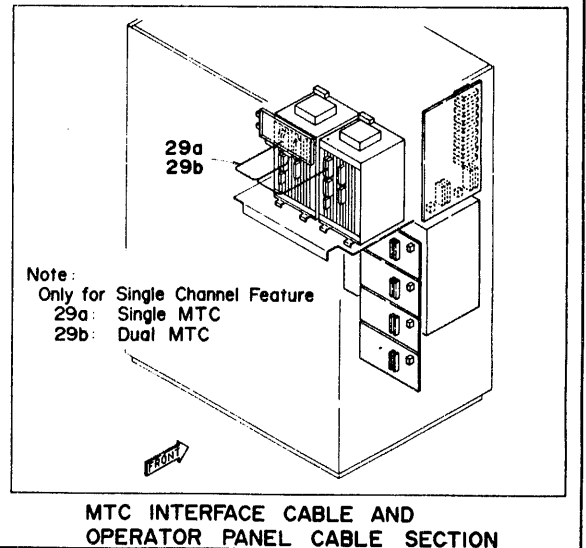
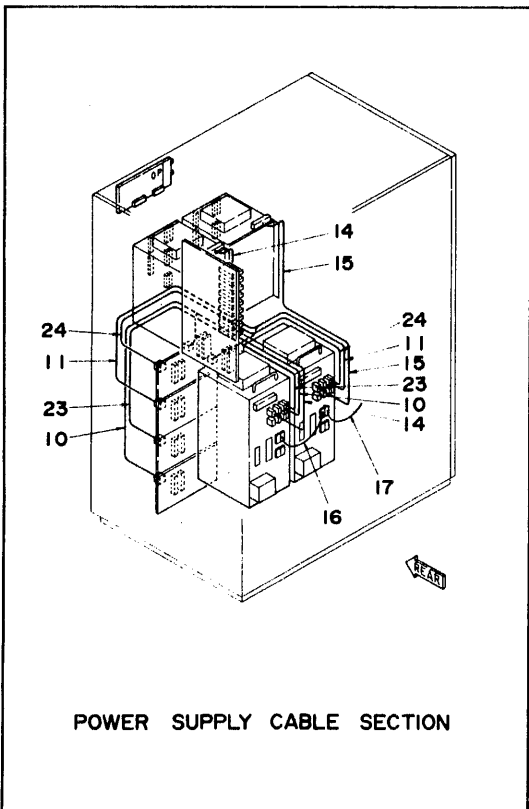
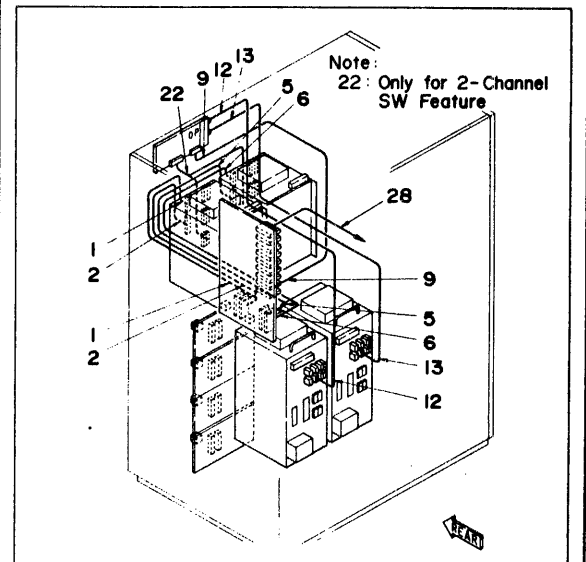
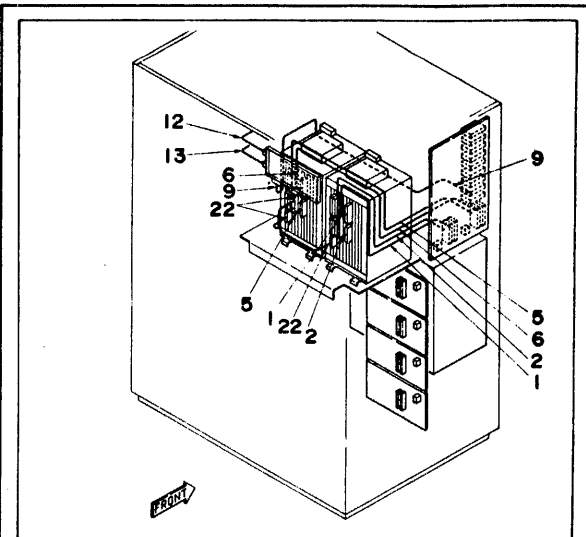
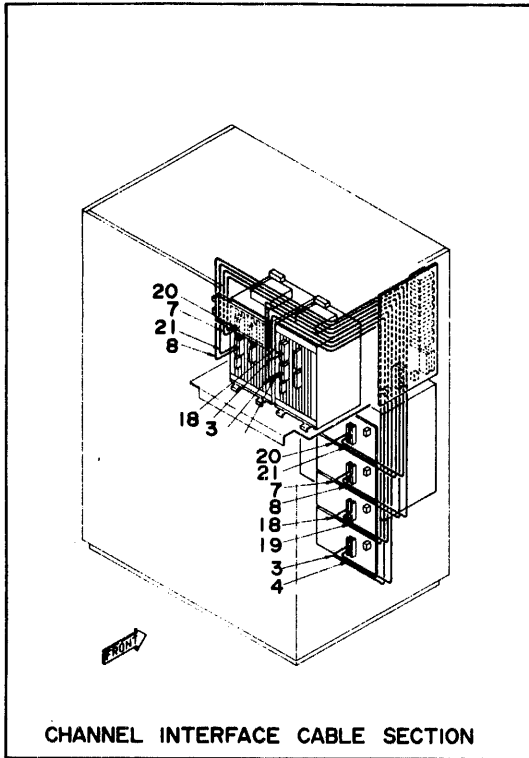


FIGURE 11. CABLE LIST (MASTER SECTION)

INDEX NO.	COMPOSITION & QUANTITY				SPECIFICATION	DESCRIPTION
1	1				B03B-5280-0904A#T01	1A04-0 - CNJ120 (FIG 3, FIG 4)
2	1				B03B-5280-0904A#T02	1B03-0 - CNJ110 (FIG 3, FIG 4)
3	1				B03B-5280-0904A#T03	1A08-0 - CNJ31A0 (FIG 2)
4	1				B03B-5280-0904A#T04	1B08-0 - CNJ32A0 (FIG 2)
5	1				B03B-5280-0904A#T05	1A04-1 - CNJ121 (FIG 3, FIG 4)
6	1				B03B-5280-0904A#T06	1B04-1 - CNJ111 (FIG 3, FIG 4)
7	1				B03B-5280-0904A#T07	1A08-1 - CNJ31A1 (FIG 2)
8	1				B03B-5280-0904A#T08	1B08-1 - CNJ32A2 (FIG 2)
9	1				B03B-5280-0904A#T09	CNJ155 - CNJ205 (FIG 3, FIG 4)
10	1				B03B-5280-0904A#T10	DCOUT-0 - CNP100, CNP30A0 (FIG 1)
11	1				B03B-5280-0904A#T11	DCOUT-1 - CNP101, CNP30A1 (FIG 1)
12	1				B03B-5280-0904A#T12	LOUTO - CNJ220 (FIG 3, FIG 4)
13	1				B03B-5280-0904A#T13	LOUT1 - CNJ221 (FIG 3, FIG 4)
14	1				B03B-5280-0904A#T14	FANOUT0 - TRM10 (FIG 1)
15	1				B03B-5280-0904A#T15	FANOUT1 - TRM11 (FIG 1)
16	1				B03B-5280-0904A#T16	PWCO-0 - PWCI-1 (FIG 1)
17	1				B03B-5280-0904A#T17	PWCO-1 - PWCI (FIG 1)
18	1				B03B-5280-0905A#T18	1A09-0 - CNJ31B0 (FIG 2)
19	1				B03B-5280-0905A#T19	1B09-0 - CNJ32B0 (FIG 2)
20	1				B03B-5280-0905A#T20	1A09-1 - CNJ31B1 (FIG 2)
21	1				B03B-5280-0905A#T21	1B09-1 - CNJ32B1 (FIG 2)
22	1				B03B-5280-0905A#T22	CNJ215 - 1C09-0, 1C09-1 only for dual MTC (FIG 3, FIG 4)
23	1				B03B-5280-0905A#T23	DCOUTB0 - CNP30B0 (CNP400) (FIG 1)
24	1				B03B-5280-0905A#T24	DCOUTB1 - CNP30B1 (CNP400) (FIG 1)
28a	1				B03B-5280-0912A#T05	DVx - 1C06 (MTU) only for master
28b	1				B03B-5280-0913A#T07	DVx - 1C06 (MTU) only for sleeve
29a	1				B03B-5280-0933A#T03	CHENB - 1A070 (FIG 5) only for single MTC
29b	1				B03B-5280-0934A#T04	CHENB - 1A070, 1A071 (FIG 5) only for dual MTC

Reader Comment Form

We would appreciate your comments and suggestions for improving this publication.			
Publication No.	Rev. Letter	Title	Current Date
How did you use this publication? <input type="checkbox"/> Learning <input type="checkbox"/> Installing <input type="checkbox"/> Sales <input type="checkbox"/> Reference <input type="checkbox"/> Maintaining <input type="checkbox"/> Operating		Is the material presented effectively? <input type="checkbox"/> Fully Covered <input type="checkbox"/> Well Illustrated <input type="checkbox"/> Well Organized <input type="checkbox"/> Clean	
What is your overall rating of this publication? <input type="checkbox"/> Very Good <input type="checkbox"/> Fair <input type="checkbox"/> Very Poor <input type="checkbox"/> Good <input type="checkbox"/> Poor		What is your occupation?	
Your other comments may be entered here. Please be specific and give page, paragraph and line number references where applicable.			
		Your Name & Return Address	

Thank you for your interest. (Fold & fasten as shown on back, no postage needed if mailed in U.S.A.)