

401223

2

3

5

GENERAL ELECTRIC

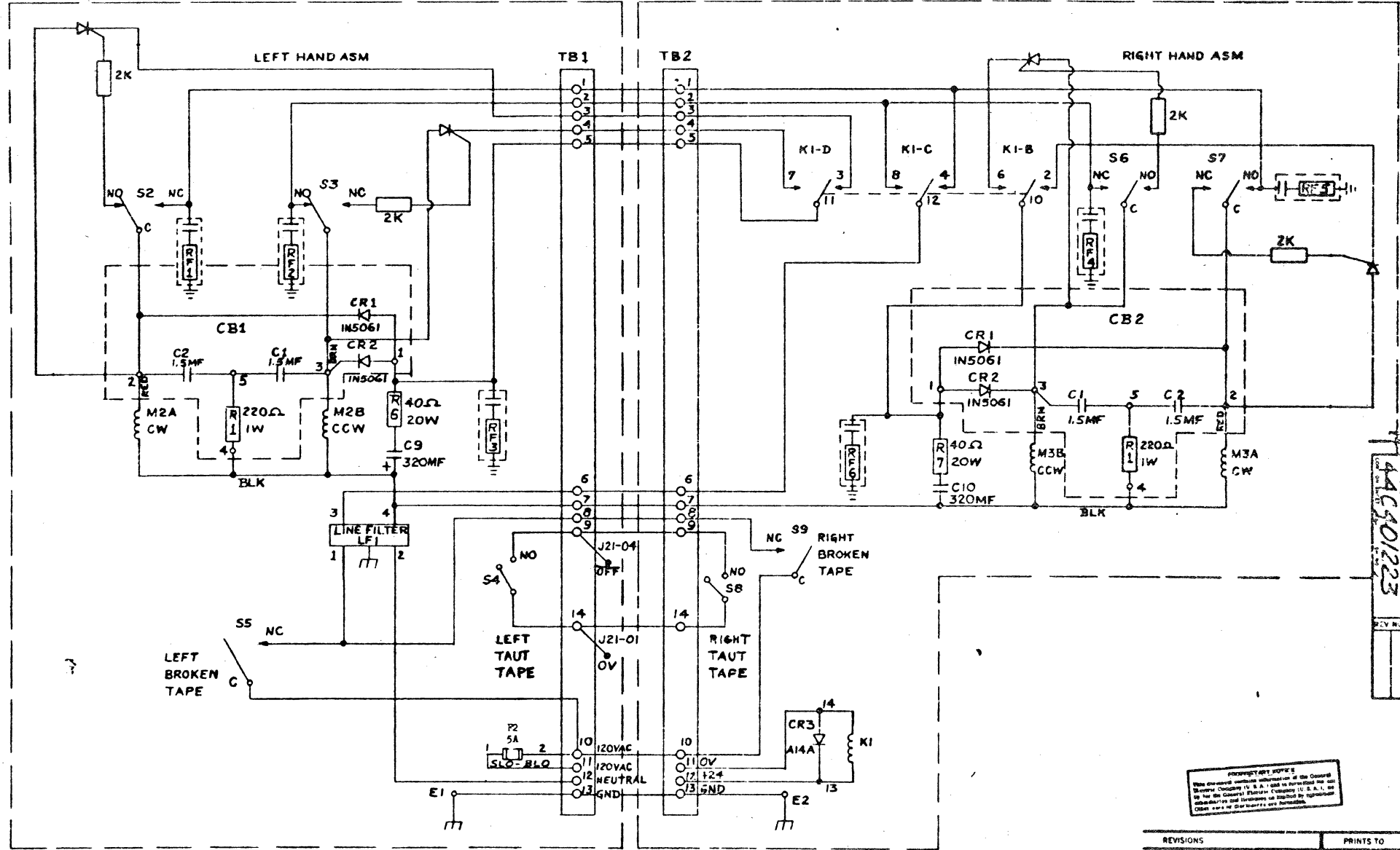
4

401223

UNLESS OTHERWISE SPECIFIED USE THE FOLLOWING—			
APPLIED PRACTICES	SURFACES	TOLERANCES ON DIMENSIONS	ANGLES
	✓	FRACTIONS +	DECIMALS +

TITLE
CONNECTION DIAGRAM
FIRST MADE FOR 153010
FCF 495411038-603

A
B
C
D
E



401223

PROPERTY AND NOTICE
This document contains information of the Company
General Electric Company U.S.A. and is controlled by the
Company. It is not to be distributed outside the Company
without the approval of the Company.

REVISIONS	PRINTS TO
	33
	34
	38
	41/3
	67
	71

APPROVAL: *Donald J. ...* DATE: *NOV 21 1972*
 PRODUCED BY: *...* DATE: *11-17-72*
 WAYNESBORO, VA LOCATION: *...*

2

3

5

6

401223