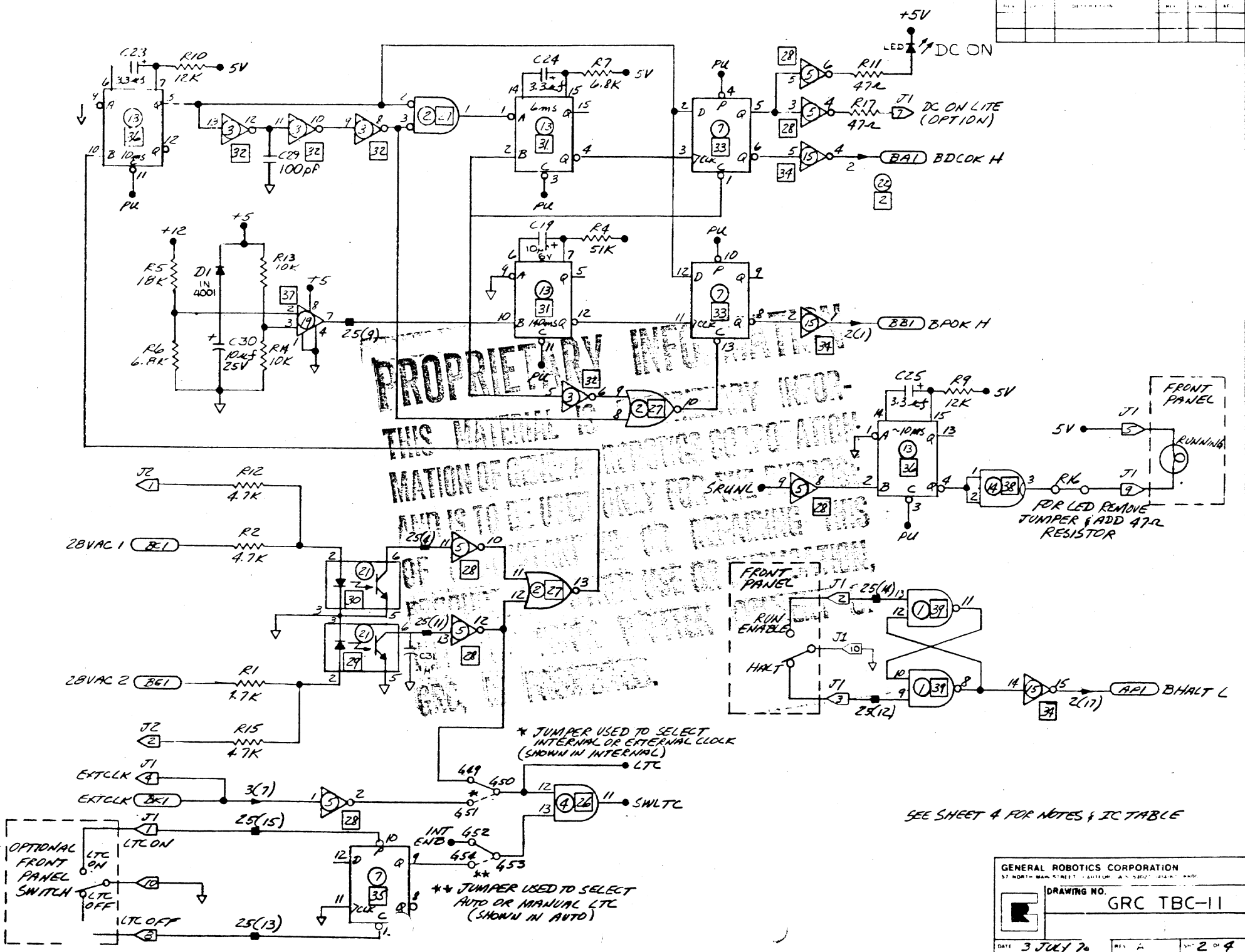


SEE SHEET 4 FOR ADDRESS TABLE

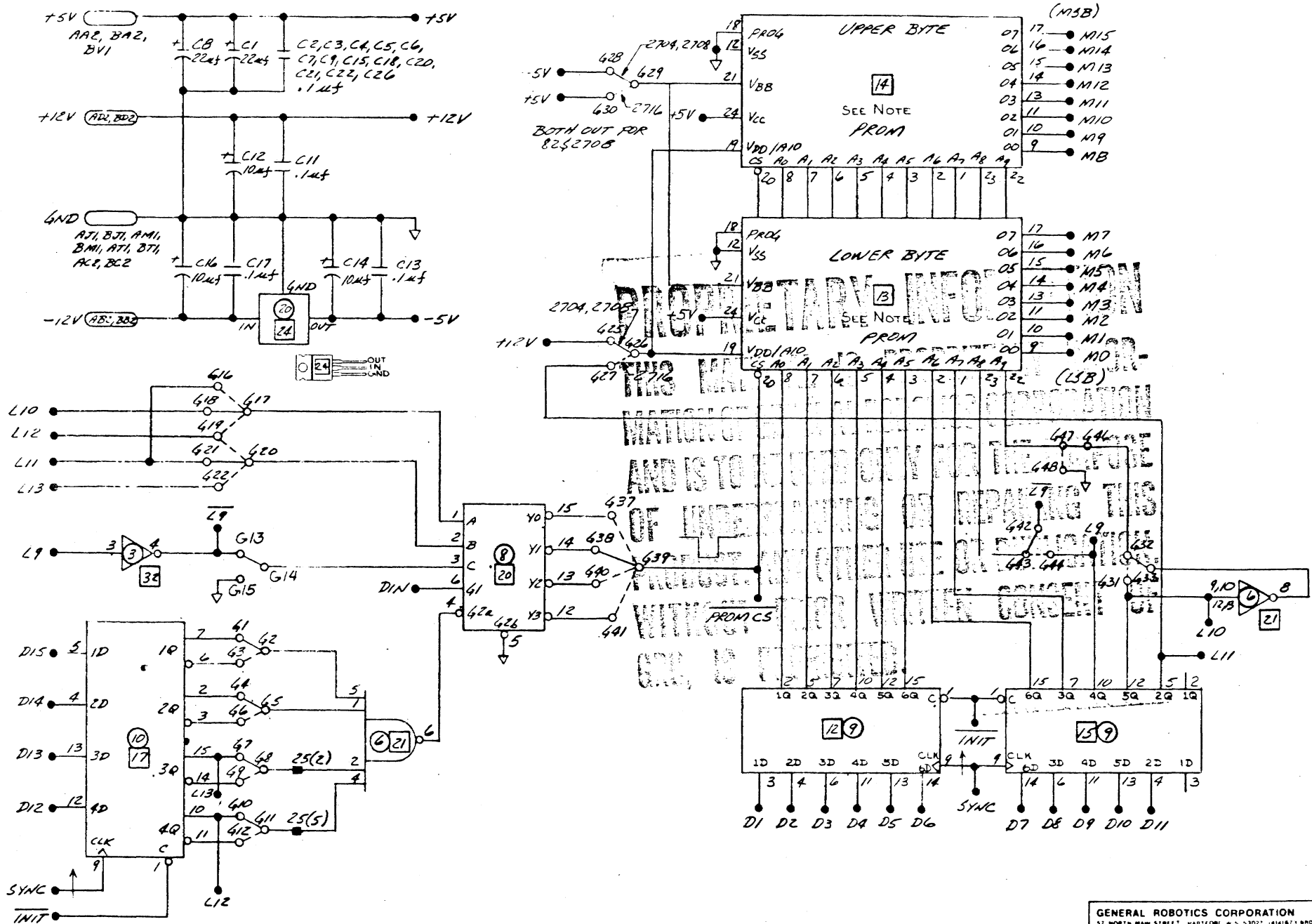
GENERAL ROBOTICS CORPORATION
 DRAWING NO. GRC TRC-11
 DATE: _____
 DISCUSSION: _____
 REV: _____
 1 of 4

SET TO RESPOND TO ADDRESS 177546

REV.	DESCRIPTION	DATE	BY	CHK.



NOTE: PROMS CAN BE ANY OF THE FOLLOWING;
 2704, 2708,
 8232708, 2716, 7405



SEE SHEET 4 FOR NOTES & IC TABLE

GENERAL ROBOTICS CORPORATION
 57 NORTH MAIN STREET, HARTFORD, W.S. 33021 (414) 671-8901

DRAWING NO. GRC TBC-II

DATE 5 JULY 79 REV A SHEET 3 OF 4
 DRAWN BY TCG/87 INC/7/11 APP/7/11

ADDRESS	62	63	65	66	68	69	71	72	NOTE
00XXXX	OUT	IN	OUT	IN	OUT	IN	OUT	IN	
01	OUT	IN	OUT	IN	OUT	IN	OUT	IN	8,9
02	OUT	IN	OUT	IN	OUT	IN	OUT	IN	9
03	OUT	IN	OUT	IN	IN	OUT	IN	OUT	8,9
04	OUT	IN	IN	OUT	OUT	IN	OUT	IN	
05	OUT	IN	IN	OUT	OUT	IN	IN	OUT	8,9
06	OUT	IN	IN	OUT	IN	OUT	IN	OUT	9
07	OUT	IN	IN	OUT	IN	OUT	IN	OUT	8,9
10	IN	OUT	OUT	IN	OUT	IN	OUT	IN	
11	IN	OUT	OUT	IN	OUT	IN	IN	OUT	8,9
12	IN	OUT	OUT	IN	IN	OUT	OUT	IN	9
13	IN	OUT	OUT	IN	IN	OUT	IN	OUT	8,9
14	IN	OUT	IN	OUT	OUT	IN	OUT	IN	
15	IN	OUT	IN	OUT	OUT	IN	IN	OUT	8,9
16	IN	OUT	IN	OUT	IN	OUT	OUT	IN	9
17XXXX	IN	OUT	IN	OUT	IN	OUT	IN	OUT	8,9

TABLE II

FROM ADDRESS RANGE	637, 639	638, 639	639, 640	639, 641	WHEN USED
XX1000 → XX1776	IN	OUT	OUT	OUT	-
XX3000 → XX3776	OUT	IN	OUT	OUT	BOOT
XX5000 → XX5776	OUT	OUT	IN	OUT	-
XX7000 → XX7776	OUT	OUT	OUT	IN	-
XX0000 → XX1776	IN	OUT	OUT	OUT	2704
XX2000 → XX3776	OUT	IN	OUT	OUT	2704
XX4000 → XX5776	OUT	OUT	IN	OUT	2704
XX6000 → XX7776	OUT	OUT	OUT	IN	2704
XX0000 → XX3776	IN	OUT	OUT	OUT	2708
XX4000 → XX7776	OUT	IN	OUT	OUT	2708
X10000 → X13776	OUT	IN	OUT	OUT	2708
X14000 → X17776	OUT	OUT	OUT	IN	2708
XX0000 → XX7776	IN	OUT	OUT	OUT	2716
X10000 → X17776	OUT	IN	OUT	OUT	2716
X20000 → X27776	OUT	OUT	IN	OUT	2716
X30000 → X37776	OUT	OUT	OUT	IN	2716

TABLE II

WINDOW SIZE	614	615	617	618	619	620	621	622	632	633	643	644	647	648	WAS USED
256 WORDS	IN	OUT	OUT	IN	OUT	OUT	IN	OUT	OUT	IN	IN	OUT	IN	OUT	BOOT
512 WORDS	OUT	IN	OUT	IN	OUT	OUT	IN	OUT	IN	OUT	OUT	IN	OUT	IN	2704
1024 WORDS	OUT	IN	IN	OUT	OUT	IN	OUT	OUT	IN	OUT	OUT	IN	IN	OUT	2708
2048 WORDS	OUT	IN	IN	OUT	IN	OUT	OUT	IN	IN	OUT	OUT	IN	IN	OUT	2716

TABLE III

MISC OPTIONS	JUMPERS	IN	OUT
AUTO LTC	452, 453, 454		
MANUAL LTC	453, 452, 454, 453		
INT LTC CLK	449, 450, 451		
EXT LTC CLK	450, 449, 451, 450		

POWER OPTIONS FROM PROMS	628	629	625, 626	626, 627
2704	IN	OUT	IN	OUT
2708	IN	OUT	IN	OUT
2252708	OUT	OUT	IN	OUT
2716	OUT	IN	OUT	IN

LAST USED

C 30
D 1
R 17
Z 39

NOT USED

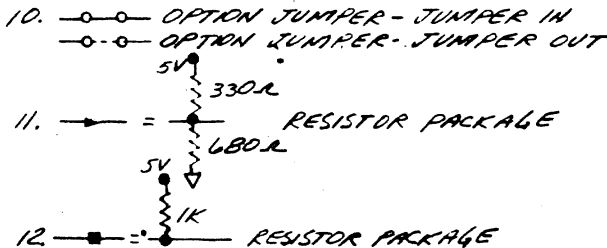
C 28, C 29
R 16

PROPRIETARY INFORMATION

THIS MATERIAL IS PROPRIETARY INFORMATION OF GENERAL ROBOTICS CORPORATION AND IS TO BE USED ONLY FOR THE PURPOSE OF UNDERSTANDING OR REPAIRING THIS PRODUCT. ANY OTHER USE OR DUPLICATION, WITHOUT THE WRITTEN CONSENT OF GENERAL ROBOTICS CORPORATION, IS PROHIBITED.

NOTES:

1. ~~ADA~~ LST BUS EDGE PINS
2. ON BOARD CONNECTION
3. EXTERNAL CONNECTOR PIN
4. IC LOCATION (SEE ASSY DWG)
5. IC TYPE REF (SEE TABLE AT RIGHT)
6. ALL JUMPERS ON SHEET 3 SET FOR "BOOT" USING 2708.
7. STARTING ADDRESS NOT AVAILABLE FOR 2708 SEE TABLE II (BOTH 610-611 AND 611-612 OUT)
8. STARTING ADDRESS NOT AVAILABLE FOR 2716 SEE TABLE II (610-611, 611-612, 617-618 AND 68-69 OUT)
9. ALL RESISTORS ARE 5%, 1/4 W UNLESS OTHERWISE SPECIFIED.



23	RES NETWORK 1K	16	-	1	Z25, I
22	RES NETWORK 250Ω	16	8	3	Z25, I
21	6N138	8	5	2	-
20	705 nL320T.SR	-	-	1	-
19	LM311	8	14	1	-
18	DC005	20	10	4	-
17	DC004	20	10	1	-
16	DC003	18	9	1	-
15	8641	16	78,9	2	Z30D
14	5N75451	8	4	1	Z30D
13	74123	16	8	2	-
12	DELETED				
11	74LS257	16	8	4	-
10	74LS175	16	8	1	-
9	74LS174	16	8	2	-
8	74LS138	16	8	1	-
7	74LS74	14	7	2	-
6	74LS20	14	7	1	Z20C
5	74LS14	14	7	1	-
4	74LS08	14	7	1	Z20C
3	74LS04	14	7	2	Z32D
2	74LS02	14	7	1	-
1	74LS00	14	7	2	Z16D

TYPE REF	IC TYPE	Vcc	4NDAT1	NOT USED
----------	---------	-----	--------	----------

GENERAL ROBOTICS CORPORATION
 DRAWING NO. GRC TBC-11
 DATE: 7 JULY 7
 SHEET 4 OF 4
 DRAWN BY: TCB/44