



SERVICE MANUAL

7585B DRAFTING PLOTTER

SERIAL NUMBERS

This manual applies directly to plotters with serial numbers prefixed 2309A.

With changes described in Section V, this manual also applies to plotters with serial numbers prefixed below 2309A.

For additional important information about serial numbers see PLOTTERS COVERED BY MANUAL in Section I.

©1983 by HEWLETT-PACKARD COMPANY
16399 W. BERNARDO DRIVE, SAN DIEGO, CALIFORNIA 92127-1899

MANUAL PART NO. 07585-90002
Microfiche Part No. 07585-90052

Printed: MARCH 1983

Table of Revised Pages

REVISION	REVISED PAGES	REASON
----------	---------------	--------

Table 4-5. Parts List, Internal I/O PCA (A5) — Model 7585B (Continued)

Reference Designation	HP Part Number	C D	Qty	Description	Mfr Code	Mfr Part Number
ASR71	0698-3156	2		RESISTOR 14.7K 1% .125W F TC=0+-100	24546	C4-1/8-T0-1472-F
ASR72	0698-3161	9	1	RESISTOR 38.3K 1% .125W F TC=0+-100	24546	C4-1/8-T0-3832-F
ASR73	0698-3443	0		RESISTOR 287 1% .125W F TC=0+-100	24546	C4-1/8-T0-287R-F
ASR74	0757-0797	7	1	RESISTOR 90.9 1% .5W F TC=0+-100	28480	0757-0797
ASR75	0757-0279	0		RESISTOR 3.16K 1% .125W F TC=0+-100	24546	C4-1/8-T0-3161-F
ASR76	0698-3156	2		RESISTOR 14.7K 1% .125W F TC=0+-100	24546	C4-1/8-T0-1472-F
ASR77	0757-0442	9		RESISTOR 10K 1% .125W F TC=0+-100	24546	C4-1/8-T0-1002-F
ASR78	0698-3443	0		RESISTOR 287 1% .125W F TC=0+-100	24546	C4-1/8-T0-287R-F
ASR79	0757-0417	8	1	RESISTOR 562 1% .125W F TC=0+-100	24546	C4-1/8-T0-562R-F
ASR80	0757-0279	0		RESISTOR 3.16K 1% .125W F TC=0+-100	24546	C4-1/8-T0-3161-F
ASR81	0698-3443	0		RESISTOR 287 1% .125W F TC=0+-100	24546	C4-1/8-T0-287R-F
ASR82	0698-3688	5	1	RESISTOR 18 5% 1W MO TC=0+-200	27167	FP32-1-T00-18R0-F
ASR83	0757-0279	0		RESISTOR 3.16K 1% .125W F TC=0+-100	24546	C4-1/8-T0-3161-F
ASR84	0698-3453	2		RESISTOR 196K 1% .125W F TC=0+-100	24546	C4-1/8-T0-1963-F
ASR85	0698-3443	0		RESISTOR 287 1% .125W F TC=0+-100	24546	C4-1/8-T0-287R-F
ASR86	0757-0449	6		RESISTOR 20K 1% .125W F TC=0+-100	24546	C4-1/8-T0-2002-F
ASR87	0757-0449	6		RESISTOR 20K 1% .125W F TC=0+-100	24546	C4-1/8-T0-2002-F
ASR88	0699-0833	8	1	RESISTOR 100 2% .25W F TC=0+-100	28480	0699-0833
ASR89	0698-3443	0		RESISTOR 287 1% .125W F TC=0+-100	24546	C4-1/8-T0-287R-F
ASR90	0698-3435	0		RESISTOR 38.3 1% .125W F TC=0+-100	24546	C4-1/8-T0-38R3-F
ASR91	0757-0280	3		RESISTOR 1K 1% .125W F TC=0+-100	24546	C4-1/8-T0-1001-F
ASR92	0757-0280	3		RESISTOR 1K 1% .125W F TC=0+-100	24546	C4-1/8-T0-1001-F
ASR93	0757-0280	3		RESISTOR 1K 1% .125W F TC=0+-100	24546	C4-1/8-T0-1001-F
ASR94	0757-0458	7		RESISTOR 51.1K 1% .125W F TC=0+-100	24546	C4-1/8-T0-5112-F
ASR95	0757-0442	9		RESISTOR 10K 1% .125W F TC=0+-100	24546	C4-1/8-T0-1002-F
ASR96	0698-3157	3	1	RESISTOR 19.6K 1% .125W F TC=0+-100	24546	C4-1/8-T0-1962-F
ASR97	0757-0279	0		RESISTOR 3.16K 1% .125W F TC=0+-100	24546	C4-1/8-T0-3161-F
ASR98	0698-3453	2		RESISTOR 196K 1% .125W F TC=0+-100	24546	C4-1/8-T0-1963-F
ASR99	2100-3207	1	2	RESISTOR-TRMR 5K 10% C SIDE-ADJ 1-TRN	28480	2100-3207
ASR100	0757-0439	4		RESISTOR 6.81K 1% .125W F TC=0+-100	24546	C4-1/8-T0-6811-F
ASR101	2100-3353	8	1	RESISTOR-TRMR 20K 10% C SIDE-ADJ 1-TRN	28480	2100-3353
ASR102	2100-3274	2	5	RESISTOR-TRMR 10K 10% C SIDE-ADJ 1-TRN	28480	2100-3274
ASR103	2100-3274	2		RESISTOR-TRMR 10K 10% C SIDE-ADJ 1-TRN	28480	2100-3274
ASR104	0757-0458	7		RESISTOR 51.1K 1% .125W F TC=0+-100	24546	C4-1/8-T0-5112-F
ASR105	2100-3274	2		RESISTOR-TRMR 10K 10% C SIDE-ADJ 1-TRN	28480	2100-3274
ASR106	2100-3207	1		RESISTOR-TRMR 5K 10% C SIDE-ADJ 1-TRN	28480	2100-3207
ASR107	2100-3273	1	1	RESISTOR-TRMR 2K 10% C SIDE-ADJ 1-TRN	28480	2100-3273
ASR108	2100-3274	2		RESISTOR-TRMR 10K 10% C SIDE-ADJ 1-TRN	28480	2100-3274
ASR109	2100-3274	2		RESISTOR-TRMR 10K 10% C SIDE-ADJ 1-TRN	28480	2100-3274
ASR110	0757-0439	4		RESISTOR 6.81K 1% .125W F TC=0+-100	24546	C4-1/8-T0-6811-F
ASR111	0698-3453	2		RESISTOR 196K 1% .125W F TC=0+-100	24546	C4-1/8-T0-1963-F
ASR112	2100-4012	8	1	RESISTOR-VAR 50K OHM 10%	28480	2100-4012
ASR113	0698-3453	2		RESISTOR 196K 1% .125W F TC=0+-100	24546	C4-1/8-T0-1963-F
ASRN1	1810-0279	5	3	NETWORK-RES 10-SIP4.7K OHM X 9	01121	210A472
ASRN2	1810-0231	9	1	NETWORK-RES 8-SIP2.2K OHM X 7	01121	208A222
ASRN3	1810-0279	5		NETWORK-RES 10-SIP4.7K OHM X 9	01121	210A472
ASRN4	1810-0279	5		NETWORK-RES 10-SIP4.7K OHM X 9	01121	210A472
ASTP1	1251-5177	6	19	CONNECTOR-SGL CONT PIN .031-IN-BSC-SZ	28480	1251-5177
ASTP2	1251-5177	6		CONNECTOR-SGL CONT PIN .031-IN-BSC-SZ	28480	1251-5177
ASTP3	1251-5177	6		CONNECTOR-SGL CONT PIN .031-IN-BSC-SZ	28480	1251-5177
ASTP4	1251-5177	6		CONNECTOR-SGL CONT PIN .031-IN-BSC-SZ	28480	1251-5177
ASTP5	1251-5177	6		CONNECTOR-SGL CONT PIN .031-IN-BSC-SZ	28480	1251-5177
ASTP6	1251-5177	6		CONNECTOR-SGL CONT PIN .031-IN-BSC-SZ	28480	1251-5177
ASTP7	1251-5177	6		CONNECTOR-SGL CONT PIN .031-IN-BSC-SZ	28480	1251-5177
ASTP8	1251-5177	6		CONNECTOR-SGL CONT PIN .031-IN-BSC-SZ	28480	1251-5177
ASTP9	1251-5177	6		CONNECTOR-SGL CONT PIN .031-IN-BSC-SZ	28480	1251-5177
ASTP10	1251-5177	6		CONNECTOR-SGL CONT PIN .031-IN-BSC-SZ	28480	1251-5177
ASTP11	1251-5177	6		CONNECTOR-SGL CONT PIN .031-IN-BSC-SZ	28480	1251-5177
ASTP12	1251-5177	6		CONNECTOR-SGL CONT PIN .031-IN-BSC-SZ	28480	1251-5177
ASTP13	1251-5177	6		CONNECTOR-SGL CONT PIN .031-IN-BSC-SZ	28480	1251-5177
ASTP14	1251-5177	6		CONNECTOR-SGL CONT PIN .031-IN-BSC-SZ	28480	1251-5177
ASTP15	1251-5177	6		CONNECTOR-SGL CONT PIN .031-IN-BSC-SZ	28480	1251-5177
ASTP16	1251-5177	6		CONNECTOR-SGL CONT PIN .031-IN-BSC-SZ	28480	1251-5177
ASTP17	1251-5177	6		CONNECTOR-SGL CONT PIN .031-IN-BSC-SZ	28480	1251-5177
ASTP18	1251-5177	6		CONNECTOR-SGL CONT PIN .031-IN-BSC-SZ	28480	1251-5177
ASTP19	1251-5177	6		CONNECTOR-SGL CONT PIN .031-IN-BSC-SZ	28480	1251-5177
ASU1	1820-1918	2	1	IC BFR TTL LS LINE DRVR OCTL	01295	SN74LS241N
ASU2	1820-2075	4	1	IC MISC TTL LS	01295	SN74LS245N
ASU3	1820-1216	3	2	IC DCDR TTL LS 3-TO-8-LINE 3-INP	01295	SN74LS138N
ASU4	1820-1917	1	2	IC BFR TTL LS LINE DRVR OCTL	01295	SN74LS249N
ASU5	1820-2274	5	1	IC DRVR TTL QUAD	13606	ULN-2868B
ASU6	1820-0161	7	2	IC OP AMP CP QUAD 14-DIP-P PKG	04713	MLM324P
ASU7	1820-1216	3		IC DCDR TTL LS 3-TO-8-LINE 3-INP	01295	SN74LS138N
ASU8	1820-1730	6	6	IC FF TTL LS D-TYPE POS-EDGE-TRIG COM	01295	SN74LS273N
ASU9	1820-0416	5	4	IC SWITCH ANLG QUAD 14-DIP-C PKG	27014	LF13331D
ASU10	1820-1199	1	1	IC INV TTL LS HEX 1-INP	01295	SN74LS04N

Table 4-6. Parts List, X and Y Axis Servo PCA (A6) — Model 7585B (Continued)

Reference Designation	HP Part Number	C D	Qty	Description	Mfr Code	Mfr Part Number
A6R1	0698-3156	2	1	RESISTOR 14.7K 1% .125W F TC=0+-100	24546	C4-1/8-T0-1472-F
A6R2	0757-0200	7	4	RESISTOR 5.62K 1% .125W F TC=0+-100	24546	C4-1/8-T0-5621-F
A6R3	0757-0200	7		RESISTOR 5.62K 1% .125W F TC=0+-100	24546	C4-1/8-T0-5621-F
A6R4	0698-3154	0	1	RESISTOR 4.22K 1% .125W F TC=0+-100	24546	C4-1/8-T0-4221-F
A6R5	0757-0465	6	1	RESISTOR 100K 1% .125W F TC=0+-100	24546	C4-1/8-T0-1003-F
A6R6	0757-0200	7		RESISTOR 5.62K 1% .125W F TC=0+-100	24546	C4-1/8-T0-5621-F
A6R7	0757-0280	3	12	RESISTOR 1K 1% .125W F TC=0+-100	24546	C4-1/8-T0-1001-F
A6R8	0757-0401	0	2	RESISTOR 100 1% .125W F TC=0+-100	24546	C4-1/8-T0-101-F
A6R9	0757-0440	7	2	RESISTOR 7.5K 1% .125W F TC=0+-100	24546	C4-1/8-T0-7501-F
A6R10	0757-0200	7		RESISTOR 5.62K 1% .125W F TC=0+-100	24546	C4-1/8-T0-5621-F
A6R11	0757-0440	7		RESISTOR 7.5K 1% .125W F TC=0+-100	24546	C4-1/8-T0-7501-F
A6R12	0757-0280	3		RESISTOR 1K 1% .125W F TC=0+-100	24546	C4-1/8-T0-1001-F
A6R13	0757-0280	3		RESISTOR 1K 1% .125W F TC=0+-100	24546	C4-1/8-T0-1001-F
A6R14	0757-0279	0	3	RESISTOR 3.16K 1% .125W F TC=0+-100	24546	C4-1/8-T0-3161-F
A6R15	0757-0280	3		RESISTOR 1K 1% .125W F TC=0+-100	24546	C4-1/8-T0-1001-F
A6R16	0757-0280	3		RESISTOR 1K 1% .125W F TC=0+-100	24546	C4-1/8-T0-1001-F
A6R17	0757-0280	3		RESISTOR 1K 1% .125W F TC=0+-100	24546	C4-1/8-T0-1001-F
A6R18	0757-0280	3		RESISTOR 1K 1% .125W F TC=0+-100	24546	C4-1/8-T0-1001-F
A6R19	0698-3446	3	2	RESISTOR 383 1% .125W F TC=0+-100	24546	C4-1/8-T0-383R-F
A6R20	0698-3446	3		RESISTOR 383 1% .125W F TC=0+-100	24546	C4-1/8-T0-383R-F
A6R21	0757-0280	3		RESISTOR 1K 1% .125W F TC=0+-100	24546	C4-1/8-T0-1001-F
A6R22	0757-0438	3	3	RESISTOR 5.11K 1% .125W F TC=0+-100	24546	C4-1/8-T0-5111-F
A6R23	0757-0438	3		RESISTOR 5.11K 1% .125W F TC=0+-100	24546	C4-1/8-T0-5111-F
A6R24	0698-0083	0	2	RESISTOR 1.96K 1% .125W F TC=0+-100	24546	C4-1/8-T0-1961-F
A6R25	0757-0279	8		RESISTOR 3.16K 1% .125W F TC=0+-100	24546	C4-1/8-T0-3161-F
A6R26	0757-0279	0		RESISTOR 3.16K 1% .125W F TC=0+-100	24546	C4-1/8-T0-3161-F
A6R27	0698-0083	8		RESISTOR 1.96K 1% .125W F TC=0+-100	24546	C4-1/8-T0-1961-F
A6R28	0757-0447	4	2	RESISTOR 16.2K 1% .125W F TC=0+-100	24546	C4-1/8-T0-1622-F
A6R29	0757-0280	3		RESISTOR 1K 1% .125W F TC=0+-100	24546	C4-1/8-T0-1001-F
A6R30	0757-0280	3		RESISTOR 1K 1% .125W F TC=0+-100	24546	C4-1/8-T0-1001-F
A6R31	0757-0280	3		RESISTOR 1K 1% .125W F TC=0+-100	24546	C4-1/8-T0-1001-F
A6R32	0699-0827	0	6	RESISTOR 422 5% .25W F TC=0+-100	28480	0699-0827
A6R33	0699-0827	0		RESISTOR 422 5% .25W F TC=0+-100	28480	0699-0827
A6R34	0699-0827	0		RESISTOR 422 5% .25W F TC=0+-100	28480	0699-0827
A6R35	0757-0826	3	2	RESISTOR 2.43K 1% .5W F TC=0+-100	19701	MF7C1/2-T0-2431-F
A6R36	0699-0827	0		RESISTOR 422 5% .25W F TC=0+-100	28480	0699-0827
A6R37	0757-0826	3		RESISTOR 2.43K 1% .5W F TC=0+-100	19701	MF7C1/2-T0-2431-F
A6R38	0699-0827	0		RESISTOR 422 5% .25W F TC=0+-100	28480	0699-0827
A6R39	0699-0827	0		RESISTOR 422 5% .25W F TC=0+-100	28480	0699-0827
A6R40	0698-3456	5	2	RESISTOR 287K 1% .125W F TC=0+-100	24546	C4-1/8-T0-2873-F
A6R41	0757-0447	4		RESISTOR 16.2K 1% .125W F TC=0+-100	24546	C4-1/8-T0-1622-F
A6R42	0698-3456	5		RESISTOR 287K 1% .125W F TC=0+-100	24546	C4-1/8-T0-2873-F
A6R43	0757-0416	7	1	RESISTOR 511 1% .125W F TC=0+-100	24546	C4-1/8-T0-511R-F
A6R44	0698-0085	0	2	RESISTOR 2.61K 1% .125W F TC=0+-100	24546	C4-1/8-T0-2611-F
A6R45	0698-0085	0		RESISTOR 2.61K 1% .125W F TC=0+-100	24546	C4-1/8-T0-2611-F
A6R46	0683-3915	0	1	RESISTOR 390 5% .25W FC TC=-400/+600	01121	CB3915
A6R47	0757-0280	3		RESISTOR 1K 1% .125W F TC=0+-100	24546	C4-1/8-T0-1001-F
A6R48	2100-3109	2	4	RESISTOR-TRMR 2K 10% C SIDE-ADJ 17-TRN	02111	43P202
A6R49	2100-3109	2		RESISTOR-TRMR 2K 10% C SIDE-ADJ 17-TRN	02111	43P202
A6R50	2100-3109	2		RESISTOR-TRMR 2K 10% C SIDE-ADJ 17-TRN	02111	43P202
A6R51	2100-3109	2		RESISTOR-TRMR 2K 10% C SIDE-ADJ 17-TRN	02111	43P202
A6R52	0757-1094	9	1	RESISTOR 1.47K 1% .125W F TC=0+-100	24546	C4-1/8-T0-1471-F
A6R53	0757-0278	9	1	RESISTOR 1.78K 1% .125W F TC=0+-100	24546	C4-1/8-T0-1781-F
A6R54	0757-0438	3		RESISTOR 5.11K 1% .125W F TC=0+-100	24546	C4-1/8-T0-5111-F
A6R55	0698-3155	1	1	RESISTOR 4.64K 1% .125W F TC=0+-100	24546	C4-1/8-T0-4641-F
A6R56	0757-0401	0		RESISTOR 100 1% .125W F TC=0+-100	24546	C4-1/8-T0-101-F
A6R57	0757-0442	9	6	RESISTOR 10K 1% .125W F TC=0+-100	24546	C4-1/8-T0-1002-F
A6R58	0757-0458	7	2	RESISTOR 51.1K 1% .125W F TC=0+-100	24546	C4-1/8-T0-5112-F
A6R59	0757-0458	7		RESISTOR 51.1K 1% .125W F TC=0+-100	24546	C4-1/8-T0-5112-F
A6R60	0698-7332	4	4	RESISTOR 1M 1% .125W F TC=0+-100	28480	0698-7332
A6R61	0698-7332	4		RESISTOR 1M 1% .125W F TC=0+-100	28480	0698-7332
A6R62	0757-0442	9		RESISTOR 10K 1% .125W F TC=0+-100	24546	C4-1/8-T0-1002-F
A6R63	0757-0442	9		RESISTOR 10K 1% .125W F TC=0+-100	24546	C4-1/8-T0-1002-F
A6R64	0698-3459	8	1	RESISTOR 383K 1% .125W F TC=0+-100	28480	0698-3459
A6R65	0698-7332	4		RESISTOR 1M 1% .125W F TC=0+-100	28480	0698-7332
A6R66	0757-0442	9		RESISTOR 10K 1% .125W F TC=0+-100	24546	C4-1/8-T0-1002-F
A6R67	0757-0442	9		RESISTOR 10K 1% .125W F TC=0+-100	24546	C4-1/8-T0-1002-F
A6R68	2100-3356	1	4	RESISTOR-TRMR 200K 10% C SIDE-ADJ 1-TRN	28480	2100-3356
A6R69	2100-3356	1		RESISTOR-TRMR 200K 10% C SIDE-ADJ 1-TRN	28480	2100-3356
A6R70	2100-3356	1		RESISTOR-TRMR 200K 10% C SIDE-ADJ 1-TRN	28480	2100-3356
A6R71	0698-7878	3	1	RESISTOR 150K 1% .125W F TC=0+-25	19701	MF4C1/8-T9-1506-F
A6R72	0698-3160	8	1	RESISTOR 31.6K 1% .125W F TC=0+-100	24546	C4-1/8-T0-3162-F
A6R73	0757-0442	9		RESISTOR 10K 1% .125W F TC=0+-100	24546	C4-1/8-T0-1002-F
A6R74	0698-7332	4		RESISTOR 1M 1% .125W F TC=0+-100	28480	0698-7332
A6R75	2100-3356	1		RESISTOR-TRMR 200K 10% C SIDE-ADJ 1-TRN	28480	2100-3356

Table 4-6. Parts List, X and Y Axis Servo PCA (A6) — Model 7585B (Continued)

Reference Designation	HP Part Number	C D	Qty	Description	Mfr Code	Mfr Part Number
A6RN1	1810-0277	3	1	NETWORK-RES 10-SIP2.2K OHM X 9	01121	210A222
A661	3101-2364	2	1	SWITCH-SL DPDT SUBMIN .25A 125VAC PC	28480	3101-2364
A662	3101-2423	4	2	SWITCH-SL 4PDT MINTR .3A 125VAC PC	28480	3101-2423
A663	3101-2423	4	2	SWITCH-SL 4PDT MTNTR .3A 125VAC PC	28480	3101-2423
A6U1	1826-0138	8	1	IC COMPARATOR GP QUAD 14-DIP-P PKG	01295	LM339N
A6U2	1820-1730	6	1	IC FF TTL LS D-TYPE POS-EDGE-TRIG COM	01295	SN74LS273N
A6U3	1820-1195	7	3	IC FF TTL LS D-TYPE POS-EDGE-TRIG COM	01295	SN74LS175N
A6U4	1820-1918	2	1	IC BFR TTL LS LINE DRVR OCTL	01295	SN74LS241N
A6U5	1820-2075	4	2	IC MISC TTL LS	01295	SN74LS245N
A6U6	1820-2075	4	1	IC MISC TTL LS	01295	SN74LS245N
A6U7	1820-1278	7	10	IC CNTR TTL LS BIN UP/DOWN SYNCHRO	01295	SN74LS191N
A6U8	1820-1112	8	3	IC FF TTL LS D-TYPE POS-EDGE-TRIG	01295	SN74LS74AN
A6U9	1820-1211	8	2	IC GATE TTL LS EXCL-OR QUAD 2-INP	01295	SN74LS86N
A6U10	1820-1211	8	2	IC GATE TTL LS EXCL-OR QUAD 2-INP	01295	SN74LS86N
A6U11	1820-1216	3	1	IC DCDR TTL LS 3-TO-8-LINE 3-INP	01295	SN74LS138N
A6U12	1820-1997	7	8	IC FF TTL LS D-TYPE POS-EDGE-TRIG PRL-IN	01295	SN74LS374N
A6U13	1820-1997	7	7	IC FF TTL LS D-TYPE POS-EDGE-TRIG PRL-IN	01295	SN74LS374N
A6U14	1820-1278	7	7	IC CNTR TTL LS BIN UP/DOWN SYNCHRO	01295	SN74LS191N
A6U15	1820-1201	6	2	IC GATE TTL LS AND QUAD 2-INP	01295	SN74LS08N
A6U16	1820-1112	8	1	IC FF TTL LS D-TYPE POS-EDGE-TRIG	01295	SN74LS74AN
A6U17	1820-1112	8	1	IC FF TTL LS D-TYPE POS-EDGE-TRIG	01295	SN74LS74AN
A6U18	1820-1416	5	1	IC SCHMITT-TRIG TTL LS INV HEX 1-INP	01295	SN74LS14N
A6U19	1820-1997	7	7	IC FF TTL LS D-TYPE POS-EDGE-TRIG PRL-IN	01295	SN74LS374N
A6U20	1820-1997	7	7	IC FF TTL LS D-TYPE POS-EDGE-TRIG PRL-IN	01295	SN74LS374N
A6U21	1820-1278	7	1	IC CNTR TTL LS BIN UP/DOWN SYNCHRO	01295	SN74LS191N
A6U22	1826-0416	5	1	IC SWITCH ANLG QUAD 16-DIP-C PKG	27014	LF13331D
A6U23	1826-0410	9	3	IC OP AMP LOW-BIAS-H-IMPQ QUAD 14-DIP-P	01295	TL084CN
A6U24	1820-1991	1	2	IC CNTR TTL LS DECD DUAL 4-BIT	01295	SN74LS390N
A6U25	1820-1195	7	7	IC FF TTL LS D-TYPE POS-EDGE-TRIG COM	01295	SN74LS175N
A6U26	1820-1201	6	1	IC GATE TTL LS AND QUAD 2-INP	01295	SN74LS08N
A6U27	1820-1491	6	1	IC BFR TTL LS NON-INV HEX 1-INP	01295	SN74LS367AN
A6U28	1820-1997	7	2	IC FF TTL LS D-TYPE POS-EDGE-TRIG PRL-IN	01295	SN74LS374N
A6U29	1820-1885	2	2	IC RCTR TTL LS D-TYPE QUAD	04713	SN74LS173N
A6U30	1820-1278	7	7	IC CNTR TTL LS BIN UP/DOWN SYNCHRO	01295	SN74LS191N
A6U31	1820-1991	1	1	IC CNTR TTL LS DECD DUAL 4-BIT	01295	SN74LS390N
A6U32	1820-1195	7	7	IC FF TTL LS D-TYPE POS-EDGE-TRIG COM	01295	SN74LS175N
A6U33	1820-1427	8	1	IC DCDR TTL LS 2-TO-4-LINE DUAL 2-INP	01295	SN74LS156N
A6U34	1820-1199	1	1	IC INV TTL LS HEX 1-INP	01295	SN74LS04N
A6U35	1820-1997	7	7	IC FF TTL LS D-TYPE POS-EDGE-TRIG PRL-IN	01295	SN74LS374N
A6U36	1820-1885	2	1	IC RCTR TTL LS D-TYPE QUAD	04713	SN74LS173N
A6U37	1820-1278	7	7	IC CNTR TTL LS BIN UP/DOWN SYNCHRO	01295	SN74LS191N
A6U38	1826-0410	9	1	IC OP AMP LOW-BIAS-H-IMPQ QUAD 14-DIP-P	01295	TL084CN
A6U39	1826-0846	5	1	IC SWITCH ANLG QUAD 16-DIP-C PKG	27014	LF13332D
A6U40	1826-0410	9	1	IC OP AMP LOW-BIAS-H-IMPQ QUAD 14-DIP-P	01295	TL084CN
A6U41	1820-1278	7	7	IC CNTR TTL LS BIN UP/DOWN SYNCHRO	01295	SN74LS191N
A6U42	1820-1997	7	7	IC FF TTL LS D-TYPE POS-EDGE-TRIG PRL-IN	01295	SN74LS374N
A6U43	1820-1278	7	7	IC CNTR TTL LS BIN UP/DOWN SYNCHRO	01295	SN74LS191N
A6U44	1820-1278	7	7	IC CNTR TTL LS BIN UP/DOWN SYNCHRO	01295	SN74LS191N
A6U45	1826-0861	4	1	IC COMV 10-B/D/A 16-DIP-P PKG	24355	AD7533LN
A6U46	1820-1997	7	7	IC FF TTL LS D-TYPE POS-EDGE-TRIG PRL-IN	01295	SN74LS374N
A6U47	1820-1278	7	7	IC CNTR TTL LS BIN UP/DOWN SYNCHRO	01295	SN74LS191N
A6U48	1820-1278	7	7	IC CNTR TTL LS BIN UP/DOWN SYNCHRO	01295	SN74LS191N
A6VR1	1902-3094	3	1	DIODE-ZNR 5.11V 2X DO-35 PD= .4W	28480	1902-3094
				MISCELLANEOUS PARTS		
	1200-0638	7	1	SOCKET-IC 14-CONT DIP DIP-SLDR	28480	1200-0638
	1251-0600	0	31	CONNECTOR-SCL CONT PIN 1.14-MM-BSC-SZ SQ	28480	1251-0600
	4040-0754	1	2	EXTR-PC BD BLU POLYC .062-BD-THKNS	28480	4040-0754
	0510-0843	2	2	PIN-SPL .062-IN-DIA .25-IN-LG SST	28480	0510-0843

Table 4-15. Parts List, Power Supply PCA (A15) — Model 7585B

Reference Designation	HP Part Number	C D	Qty	Description	Mfr Code	Mfr Part Number
A15	07580-60104	2	1	POWER SUPPLY, PCA	28480	07580-60104
A15C1	0160-4832	4	9	CAPACITOR-FXD .01UF +-10% 100VDC CER	28480	0160-4832
A15C2	0180-2755	8	1	CAPACITOR-FXD 900UF+75-10% 25VDC AL	08953	300GJ901U025B
A15C3	0160-4832	4	1	CAPACITOR-FXD .01UF +-10% 100VDC CER	28480	0160-4832
A15C4	0160-4832	4	1	CAPACITOR-FXD .01UF +-10% 100VDC CER	28480	0160-4832
A15C5	0160-4844	8	1	CAPACITOR-FXD 1UF +80-20% 50VDC CER	28480	0160-4844
A15C6	0180-3094	0	2	CAPACITOR-FXD .024F+75-10% 50VDC AL	28480	0180-3094
A15C7	0160-4832	4	1	CAPACITOR-FXD .01UF +-10% 100VDC CER	28480	0160-4832
A15C8	0160-0300	3	1	CAPACITOR-FXD 2700PF +-10% 200VDC POLYE	28480	0160-0300
A15C9	0180-2866	2	5	CAPACITOR-FXD 22UF+100-10% 50VDC AL	28480	0180-2866
A15C10	0160-4832	4	1	CAPACITOR-FXD .01UF +-10% 100VDC CER	28480	0160-4832
A15C11	0180-2866	2	3	CAPACITOR-FXD 22UF+100-10% 50VDC AL	28480	0180-2866
A15C12	0170-0040	9	1	CAPACITOR-FXD .047UF +-10% 200VDC POLYE	56289	292P47392
A15C13	0180-2866	2	1	CAPACITOR-FXD 22UF+100-10% 50VDC AL	28480	0180-2866
A15C14	0180-2866	2	1	CAPACITOR-FXD 22UF+100-10% 50VDC AL	28480	0180-2866
A15C15	0180-3094	0	1	CAPACITOR-FXD .024F+75-10% 50VDC AL	28480	0180-3094
A15C16	0180-3077	9	1	CAPACITOR-FXD 680UF+100-10% 50VDC AL	28480	0180-3077
A15C17	0170-0040	9	1	CAPACITOR-FXD .047UF +-10% 200VDC POLYE	56289	292P47392
A15C18	0170-0040	9	1	CAPACITOR-FXD .047UF +-10% 200VDC POLYE	56289	292P47392
A15C19	0160-4832	4	1	CAPACITOR-FXD .01UF +-10% 100VDC CER	28480	0160-4832
A15C20	0180-2866	2	1	CAPACITOR-FXD 22UF+100-10% 50VDC AL	28480	0180-2866
A15C21	0160-4832	4	1	CAPACITOR-FXD .01UF +-10% 100VDC CER	28480	0160-4832
A15C22	0160-4832	4	1	CAPACITOR-FXD .01UF +-10% 100VDC CER	28480	0160-4832
A15C23	0160-0492	4	1	CAPACITOR-FXD 1UF +-20% 200VDC POLYE	84411	6630W10502W
A15C24	0160-4832	4	1	CAPACITOR-FXD .01UF +-10% 100VDC CER	28480	0160-4832
A15CR1	1901-0662	3	3	DIODE-PWR RECT 100V 6A	04713	HR751
A15CR2	1901-0912	6	1	DIODE-PWR RECT 45V 30A DO-4	04713	HR3545
A15CR3	1901-0050	3	2	DIODE-SWITCHING 80V 200MA 2NS DO-35	28480	1901-0050
A15CR4	1901-0704	4	2	DIODE-PWR RECT 1N4002 100V 1A DO-41	01295	1N4002
A15CR5	1901-0662	3	1	DIODE-PWR RECT 100V 6A	04713	HR751
A15CR6	1901-0050	3	1	DIODE-SWITCHING 80V 200MA 2NS DO-35	28480	1901-0050
A15CR7	1901-0704	4	1	DIODE-PWR RECT 1N4002 100V 1A DO-41	01295	1N4002
A15CR8	1901-0662	3	1	DIODE-PWR RECT 100V 6A	04713	HR751
A15CR9-12	1906-0222	1	1	DIODE-FW BRDG 400V 25A	04713	HDA2504
A15F1	2110-0623	0	2	FUSE 6.3A 250V TD IEC	28480	2110-0623
A15F2	2110-0623	0	1	FUSE 6.3A 250V TD IEC	28480	2110-0623
A15F3	2110-0458	9	2	FUSE .5A 250V IEC	28480	2110-0458
A15F4	2110-0458	9	1	FUSE .5A 250V IEC	28480	2110-0458
A15F5	2110-0596	6	1	FUSE 3.15A 250V	28480	2110-0596
A15J1	1251-4780	5	1	CONNECTOR 2-PIN M UTILITY	28480	1251-4780
A15J2	1251-6832	2	1	CONNECTOR 5-PIN M UTILITY	28480	1251-6832
A15J3	1251-4781	6	1	CONNECTOR 3-PIN M UTILITY	00779	350789-1
A15L1	9140-0614	9	1	COIL-FXD 400UH	28480	9140-0614
A15L2	9100-1788	6	4	CHOKE-WIDE BAND ZMAX=680 OHMS 180 MHZ	02114	UK200 20/48
A15L3	9100-1788	6	1	CHOKE-WIDE BAND ZMAX=680 OHMS 180 MHZ	02114	UK200 20/48
A15L4	9100-1788	6	1	CHOKE-WIDE BAND ZMAX=680 OHMS 180 MHZ	02114	UK200 20/48
A15L5	9100-1788	6	1	CHOKE-WIDE BAND ZMAX=680 OHMS 180 MHZ	02114	UK200 20/48
A15Q1	1854-0215	1	1	TRANSISTOR NPN SI PD=350MW FT=300MHZ	04713	2N3904
A15Q2	1853-0271	7	1	TRANSISTOR PNP 2N4403 SI TO-92 PD=310MW	04713	2N4403
A15Q3	1884-0281	4	1	THYRISTOR-SCR 2N6505 TO-220AB VRRM=100	04713	2N6505
A15Q4	1854-0892	0	1	TRANSISTOR NPN DARL TO-220AB PD=50W	28480	1854-0892
A15Q5	1853-0340	1	1	TRANSISTOR PNP 2N5884 SI TO-3 PD=200W	01295	2N5884
A15Q6	1853-0479	7	1	TRANSISTOR PNP DARL TO-220AB PD=50W	28480	1853-0479
A15Q7	1854-0903	4	1	TRANSISTOR NPN TO-220AB PD=83W	28480	1854-0903
A15Q8	1854-0087	5	1	TRANSISTOR NPN SI PD=360MW FT=75MHZ	28480	1854-0087
A15Q9	1854-0547	2	2	TRANSISTOR NPN 2N3725 SI TO-5 PD=800MW	01295	2N3725
A15Q10	1854-0547	2	1	TRANSISTOR NPN 2N3725 SI TO-5 PD=800MW	01295	2N3725
A15R1	0698-3639	6	2	RESISTOR 1.2K 5% 2W MO TC=0+-200	27167	FP42-2-T00-1201-J
A15R2	0757-0394	0	1	RESISTOR 51.1 1% .125W F TC=0+-100	24546	C4-1/8-T0-51R1-F
A15R3	0757-0449	6	2	RESISTOR 20K 1% .125W F TC=0+-100	24546	C4-1/8-T0-2002-F
A15R4	0757-0401	0	2	RESISTOR 100 1% .125W F TC=0+-100	24546	C4-1/8-T0-101-F
A15R5	0757-0316	6	1	RESISTOR 42.2 1% .125W F TC=0+-100	24546	C4-1/8-T0-42R2-F
A15R6	0757-0401	0	1	RESISTOR 100 1% .125W F TC=0+-100	24546	C4-1/8-T0-101-F
A15R7	0698-3156	2	2	RESISTOR 14.7K 1% .125W F TC=0+-100	24546	C4-1/8-T0-1472-F
A15R8	0698-3156	2	1	RESISTOR 14.7K 1% .125W F TC=0+-100	24546	C4-1/8-T0-1472-F
A15R9	0698-3428	1	1	RESISTOR 14.7 1% .125W F TC=0+-100	03888	PH55-1/8-T0-14R7-F
A15R10	0757-0449	6	1	RESISTOR 20K 1% .125W F TC=0+-100	24546	C4-1/8-T0-2002-F
A15R11	0698-5808	5	1	RESISTOR 4K 1% .125W F TC=0+-100	24546	C4-1/8-T0-4001-F
A15R12	0698-0884	9	1	RESISTOR 2.15K 1% .125W F TC=0+-100	24546	C4-1/8-T0-2151-F
A15R13	0698-3155	1	2	RESISTOR 4.64K 1% .125W F TC=0+-100	24546	C4-1/8-T0-4641-F
A15R14	0757-0288	3	3	RESISTOR 1K 1% .125W F TC=0+-100	24546	C4-1/8-T0-1001-F
A15R15	0757-0288	3	1	RESISTOR 1K 1% .125W F TC=0+-100	24546	C4-1/8-T0-1001-F

possible revision

Table 4-15. Parts List, Power Supply PCA (A15) — Model 7585B (Continued)

Reference Designation	HP Part Number	C D	Qty	Description	Mfr Code	Mfr Part Number
A15R16	0698-3476	9	1	RESISTOR 6K 1% .125W F TC=0+-100	03888	PhE55-1/8-T0-6001-F
A15R17	0757-0280	3		RESISTOR 1K 1% .125W F TC=0+-100	24546	C4-1/8-T0-1001-F
A15R18	0757-0465	6	1	RESISTOR 100K 1% .125W F TC=0+-100	24546	C4-1/8-T0-1003-F
A15R19	0698-3154	0	1	RESISTOR 4.22K 1% .125W F TC=0+-100	24546	C4-1/8-T0-4221-F
A15R20	2100-3211	7	1	RESISTOR-TRMR 1K 10% C TOP-ADJ 1-TRN	28480	2100-3211
A15R21	0698-3639	6		RESISTOR 1.2K 5% 2W MO TC=0+-200	27167	FP42-2-T00-1201-J
A15R22	0698-8691	0	1	RESISTOR 4 1% .125W F TC=0+-100	28480	0698-8691
A15R23	0757-0442	9	1	RESISTOR 10K 1% .125W F TC=0+-100	24546	C4-1/8-T0-1002-F
A15R24	0761-0041	3	1	RESISTOR 56 5% 1W MO TC=0+-200	28480	0761-0041
A15R25	0811-1098	9	1	RESISTOR 80 5% 5W PW TC=0+-50	28480	0811-1098
A15R26	0757-0384	8	1	RESISTOR 20 1% .125W F TC=0+-100	19701	MF4C1/8-T0-20R0-F
A15R27	0757-0447	4	2	RESISTOR 16.2K 1% .125W F TC=0+-100	24546	C4-1/8-T0-1622-F
A15R28	0757-0447	4		RESISTOR 16.2K 1% .125W F TC=0+-100	24546	C4-1/8-T0-1622-F
A15R29	0698-3153	9	1	RESISTOR 3.83K 1% .125W F TC=0+-100	24546	C4-1/8-T0-3831-F
A15R30	0757-0290	5	1	RESISTOR 6.19K 1% .125W F TC=0+-100	19701	MF4C1/8-T0-6191-F
A15R31	0757-0159	5	1	RESISTOR 1K 1% .5W F TC=0+-100	28480	0757-0159
A15R32	0698-3155	1		RESISTOR 4.64K 1% .125W F TC=0+-100	24546	C4-1/8-T0-4641-F
A15T1	9170-0567	4	1	CORE-TOROID AL=3000-NH/T	28480	9170-0567
A15TP1	1251-5177	6	6	CONNECTOR-SGL CONT PIN .031-IN-BSC-SZ	28480	1251-5177
A15TP2	1251-5177	6		CONNECTOR-SGL CONT PIN .031-IN-BSC-SZ	28480	1251-5177
A15TP3	1251-5177	6		CONNECTOR-SGL CONT PIN .031-IN-BSC-SZ	28480	1251-5177
A15TP4	1251-5177	6		CONNECTOR-SGL CONT PIN .031-IN-BSC-SZ	28480	1251-5177
A15TP5	1251-5177	6		CONNECTOR-SGL CONT PIN .031-IN-BSC-SZ	28480	1251-5177
A15TP6	1251-5177	6		CONNECTOR-SGL CONT PIN .031-IN-BSC-SZ	28480	1251-5177
A15U1	1826-0809	0	1	IC CHIP PKG	28480	1DD3A
A15U2	1826-0147	9	1	IC 7812 V RGLTR T0-220	04713	MC7812CP
A15U3	1826-0418	7	1	IC 320T-12 V RGLTR T0-220	07263	UA7912UC
A15VR1	1902-3104	6	1	DIODE-ZNR 5.62V 5% DO-35 PD=.4W	28480	1902-3104
A15VR2	1902-3220	7	2	DIODE-ZNR 16.9V 2% DO-35 PD=.4W	28480	1902-3220
A15VR3	1902-3220	7		DIODE-ZNR 16.9V 2% DO-35 PD=.4W	28480	1902-3220
A15W1	03999-11019	2	1	WIRE ASSEMBLY	28480	03999-11019
A15W2	03999-20381	0	2	WIRE ASSEMBLY	28480	03999-20381
A15W3	03999-20381	0		WIRE ASSEMBLY	28480	03999-20381
A15W4	07580-60062	1	1	CABLE-TRANSFORMER, SECONDARY	28480	07580-60062
MISCELLANEOUS PARTS						
	0340-0150	3	2	INSULATOR-FLG-BSHG VULC-FIBER	28480	0340-0150
	0340-0950	1	5	INSULATOR-XSTR POLYI	28480	0340-0950
	1200-0043	8	1	INSULATOR-XSTR ALUMINUM	28480	1200-0043
	1200-0080	3	1	INSULATOR-DIO ALUMINUM HD-ANDZ	28480	1200-0080
	2110-0597	7	10	FUSEHOLDER-CLIP TYPE 18A 250 V	28480	2110-0597
	07580-00068	1	1	CHASSIS-POWER SUPPLY	28480	07580-00068
	07580-00069	2	1	MOUNT-POWER SUPPLY	28480	07580-00069
	07580-00070	5	1	CLAMP-CAPACITOR	28480	07580-00070
	07580-20131	1	1	HEAT SINK-POWER SUPPLY	28480	07580-20131
	07580-20132	2	1	HEAT SINK-POWER SUPPLY	28480	07580-20132
	07580-60087	0	1	STANDOFF-POWER SUPPLY	28480	07580-60087
	0624-0341	6	3	SCREW-TPG 6-32 .625-IN-LG 82 DEG	00000	ORDER BY DESCRIPTION
	2360-0055	1	5	SCREW-MACH 6-32 .188-IN-LG RDC-HD-SLT	00000	ORDER BY DESCRIPTION
	2360-0117	6	14	SCREW-MACH 6-32 .375-IN-LG PAN-HD-POZI	00000	ORDER BY DESCRIPTION
	2680-0271	1	4	SCREW-MACH 10-32 .312-IN-LG PAN-HD-POZI	00000	ORDER BY DESCRIPTION
	2200-0523	0	2	SCREW-MACH 4-40 .562-IN-LG PAN-HD-PHL	00000	ORDER BY DESCRIPTION
	2190-0311	1	1	WASHER-SHLDR NO. 10 .195-IN-ID	28480	2190-0311
	3050-0066	8	2	WASHER-FL MTLG NO. 6 .147-IN-ID	28480	3050-0066
	2260-0809	3	2	NUT-HEX-W/LKWR 4-40-THD .094-IN-THK	00000	ORDER BY DESCRIPTION
	2740-0003	5	1	NUT-HEX-W/LKWR 10-32-THD .125-IN-THK	00000	ORDER BY DESCRIPTION
	1251-5613	5	1	CONNECTOR-SGL CONT QDISC-M TAB	28480	1251-5613
	2190-0008	3	1	WASHER-LK EXT T NO. 6 .141-IN-ID	28480	2190-0008
	2360-0205	3	1	SCRFW-MACH 6-32 .75-IN-LG PAN-HD-POZI	00000	ORDER BY DESCRIPTION

possible ~~variation~~
original

Table 4-15. Parts List, Power Supply PCA (A15) — Model 7585B (Continued)

Reference Designation	HP Part Number	C D	Qty	Description	Mfr Code	Mfr Part Number
A15R16	0698-3476	9	1	RESISTOR 6K 1% .125W F TC=0+-100	03888	PHE55-1/8-T0-6001-F
A15R17	0757-0280	3		RESISTOR 1K 1% .125W F TC=0+-100	24546	C4-1/8-T0-1001-F
A15R18	0757-0465	6	1	RESISTOR 100K 1% .125W F TC=0+-100	24546	C4-1/8-T0-1003-F
A15R19	0698-3154	0	1	RESISTOR 4.22K 1% .125W F TC=0+-100	24546	C4-1/8-T0-4221-F
A15R20	2100-3211	7	1	RESISTOR-TRNR 1K 10% C TOP-ADJ 1-TRN	28480	2100-3211
A15R21	0698-3639	6		RESISTOR 1.2K 5% 2W MO TC=0+-200	27167	FP42-2-T00-1201-J
A15R22	0698-0691	0	1	RESISTOR 4 1% .125W F TC=0+-100	28480	0698-0691
A15R23	0757-0442	9	1	RESISTOR 10K 1% .125W F TC=0+-100	24546	C4-1/8-T0-1002-F
A15R24	0761-0041	3	1	RESISTOR 56 5% 1W MO TC=0+-200	28480	0761-0041
A15R25	0811-1098	9	1	RESISTOR 80 5% 5W PW TC=0+-50	28480	0811-1098
A15R26	0757-0384	8		RESISTOR 20 1% .125W F TC=0+-100	19701	MF4C1/8-T0-20R0-F
A15R27	0757-0447	4	2	RESISTOR 16.2K 1% .125W F TC=0+-100	24546	C4-1/8-T0-1622-F
A15R28	0757-0447	4		RESISTOR 16.2K 1% .125W F TC=0+-100	24546	C4-1/8-T0-1622-F
A15R29	0698-3153	9	1	RESISTOR 3.03K 1% .125W F TC=0+-100	24546	C4-1/8-T0-3031-F
A15R30	0757-0290	5	1	RESISTOR 6.19K 1% .125W F TC=0+-100	19701	MF4C1/8-T0-6191-F
A15R31	0757-0159	5	1	RESISTOR 1K 1% .5W F TC=0+-100	28480	0757-0159
A15R32	0698-3155	1	1	RESISTOR 4.64K 1% .125W F TC=0+-100	24546	C4-1/8-T0-4641-F
A15T1	9170-0567	4	1	CORE-TOROID AL=3000-NH/T	28480	9170-0567
A15TP1	1251-5177	6	6	CONNECTOR-SGL CONT PIN .031-IN-BSC-SZ	28480	1251-5177
A15TP2	1251-5177	6		CONNECTOR-SGL CONT PIN .031-IN-BSC-SZ	28480	1251-5177
A15TP3	1251-5177	6		CONNECTOR-SGL CONT PIN .031-IN-BSC-SZ	28480	1251-5177
A15TP4	1251-5177	6		CONNECTOR-SGL CONT PIN .031-IN-BSC-SZ	28480	1251-5177
A15TP5	1251-5177	6		CONNECTOR-SGL CONT PIN .031-IN-BSC-SZ	28480	1251-5177
A15TP6	1251-5177	6		CONNECTOR-SGL CONT PIN .031-IN-BSC-SZ	28480	1251-5177
A15U1	1826-0809	0	1	IC CHIP PKG	28480	10D3A
A15U2	1826-0147	9	1	IC 7812 V RGLTR T0-220	04713	MC7812CP
A15U3	1826-0418	7	1	IC 320T-12 V RGLTR T0-220	07263	UA7912UC
A15VR1	1902-3104	6	1	DIODE-ZNR 5.62V 5% DO-35 PD=.4W	28480	1902-3104
A15VR2	1902-3220	7	2	DIODE-ZNR 16.9V 2% DO-35 PD=.4W	28480	1902-3220
A15VR3	1902-3220	7		DIODE-ZNR 16.9V 2% DO-35 PD=.4W	28480	1902-3220
A15W1	03999-11019	2	1	WIRE ASSEMBLY	28480	03999-11019
A15W2	03999-20381	0	2	WIRE ASSEMBLY	28480	03999-20381
A15W3	03999-20381	0		WIRE ASSEMBLY	28480	03999-20381
A15W4	07580-60062	1	1	CABLE-TRANSFORMER, SECONDARY	28480	07580-60062
				MISCELLANEOUS PARTS		
	0340-0150	3	2	INSULATOR-FLG-BSHG VULC-FIDER	28480	0340-0150
	0340-0950	1	5	INSULATOR-XSTR POLYI	28480	0340-0950
	1200-0043	8	1	INSULATOR-XSTR ALUMINUM	28480	1200-0043
	1200-0080	3	1	INSULATOR-DIO ALUMINUM HD-ANDZ	28480	1200-0080
	2110-0597	7	10	FUSEHOLDER-CLIP TYPE 18A 250 V	28480	2110-0597
	07580-00068	1	1	CHASSIS-POWER SUPPLY	28480	07580-00068
	07580-00069	2	1	MOUNT-POWER SUPPLY	28480	07580-00069
	07580-00070	5	1	CLAMP-CAPACITOR	28480	07580-00070
	07580-20131	1	1	HEAT SINK-POWER SUPPLY	28480	07580-20131
	07580-20132	2	1	HEAT SINK-POWER SUPPLY	28480	07580-20132
	07580-60087	0	1	STANDOFF-POWER SUPPLY	28480	07580-60087
	0624-0341	6	3	SCREW-TPC 6-32 .625-IN-LG 82 DEG	00000	ORDER BY DESCRIPTION
	2360-0055	1	5	SCRFW-MACH 6-32 .188-IN-LG RDC-HD-SLT	00000	ORDER BY DESCRIPTION
	2360-0117	6	14	SCREW-MACH 6-32 .375-IN-LG PAN-HD-POZI	00000	ORDER BY DESCRIPTION
	2680-0271	1	4	SCREW-MACH 10-32 .312-IN-LG PAN-HD-POZI	00000	ORDER BY DESCRIPTION
	2200-0523	0	2	SCREW-MACH 4-40 .562-IN-LG PAN-HD-PHL	00000	ORDER BY DESCRIPTION
	2190-0311	1	1	WASHER-SHLDR NO. 10 .195-IN-ID	28480	2190-0311
	3050-0066	8	2	WASHER-FL MTLG NO. 6 .147-IN-ID	28480	3050-0066
	2260-0009	3	2	NUT-HEX-W/LKWR 4-40-THD .094-IN-THK	00000	ORDER BY DESCRIPTION
	2740-0003	5	1	NUT-HEX-W/LKWR 10-32-THD .125-IN-THK	00000	ORDER BY DESCRIPTION
	1251-5613	5	1	CONNECTOR-SGL CONT QDISC-M TAB	28480	1251-5613
	2190-0008	3	1	WASHER-LK EXT T NO. 6 .141-IN-ID	28480	2190-0008
	2360-0205	3	1	SCRFW-MACH 6-32 .75-IN-LG PAN-HD-POZI	00000	ORDER BY DESCRIPTION

Table 4-18. Parts List, Pen, Media, and Motor Drive Mechanics — Model 7585B

Reference Designation	HP Part Number	C D	Qty	Description	Mfr Code	Mfr Part Number
1	2360-0117	6	29	SCREW-MACH 6-32 .375-IN-LG PAN-HD-POZI	00000	ORDER BY DESCRIPTION
2	07580-60070	1	1	CABLE ASSEMBLY-FRONT SENSOR	28480	07580-60070
3	07580-60069	8	1	CABLE ASSEMBLY-REAR SENSOR	28480	07580-60069
4	07580-60066	5	1	CABLE ASSEMBLY-MICROSWITCH (PRIMARY)	28480	07580-60066
5	07580-60116	6	1	PCA-SENSOR INTERCONNECT	28480	07580-60116
6	07580-00096	5	1	END PLATE-STABLE	28480	07580-00096
7	1400-0584	6	13	MOUNT-CA TIE .122-DIA .75-WD ABS	28480	1400-0584
8	07580-20083	2	1	PLATE-STABLE DRIVE	28480	07580-20083
9	2260-0001	5	1	NUT-HEX-DBL-CHAM 4-40-THD .094-IN-THK	00000	ORDER BY DESCRIPTION
10	07580-40054	9	1	MOUNT-SENSOR, CARROUSEL POSITION	28480	07580-40054
11	2190-0315	5	2	WASHER-FL MTLIC NO. 5 .13-IN-ID .25-IN-OD	00000	ORDER BY DESCRIPTION
12	2200-0107	6	6	SCREW-MACH 4-40 .375-IN-LG PAN-HD-POZI	00000	ORDER BY DESCRIPTION
13	07580-60119	9	1	PCA-CARROUSEL SENSOR	28480	07580-60119
14	1990-0650	6	1	SENSOR-CARROUSEL (PHOTO DEVICE)	28480	1990-0650
15	2200-0111	2	7	SCREW-MACH 4-40 .5-IN-LG PAN-HD-POZI	00000	ORDER BY DESCRIPTION
16	07580-60065	4	1	MOTOR ASSEMBLY-CARROUSEL	28480	07580-60065
17	2360-0123	4	4	SCREW-MACH 6-32 .625-IN-LG PAN-HD-POZI	00000	ORDER BY DESCRIPTION
18	3050-0066	8	15	WASHER-FL MTLIC NO. 6 .147-IN-ID	00000	ORDER BY DESCRIPTION
19	3140-0674	5	1	MOTOR-PINCH ROLLER	28480	3140-0674
20	07580-20145	7	2	SCREW-MOUNTING PINCH ROLLER MOTOR	28480	07580-20145
21	0905-0932	7	1	*O* RING-STABLE ADAPTOR .241-OD	83259	2-005 C147-70
22	07580-60077	8	8	STABLE ADAPTOR ASSEMBLY	28480	07580-60077
23	3030-0161	2	4	SCREW-SET 6-32 .625-IN-LG SMALL CUP-PT	00000	ORDER BY DESCRIPTION
24	3030-0033	7	4	SCREW-SET 6-32 .188-IN-LG SMALL CUP-PT	00000	ORDER BY DESCRIPTION
25	2510-0107	3	7	SCREW-MACH 8-32 .5-IN-LG PAN-HD-POZI	00000	ORDER BY DESCRIPTION
26	2190-0087	8	21	WASHER-LK HLCL NO. 8 .168-IN-ID	00000	ORDER BY DESCRIPTION
27	3050-0019	1	2	WASHER-FL MTLIC NO. 10 .2-IN-ID .5-IN-OD	00000	ORDER BY DESCRIPTION
28	07585-20303	4	1	Y-ARM MOUNTING PLATE (LH)	28480	07585-20303
29	1600-1103	1	*	SHIM-Y-ARM (LEFT)THIN	28480	1600-1103
	1600-1281	6	*	SHIM-Y-ARM (LEFT)THICK	28480	1600-1281
30	0520-0128	7	1	SCREW-MACH 2-56 .25-IN-LG PAN-HD-POZI	00000	ORDER BY DESCRIPTION
31	07580-00088	5	1	PLATE-CARROUSEL MOTOR	28480	07580-00088
32	07580-60101	9	1	PCA-FRONT SENSOR	28480	07580-60101
33	07580-60102	0	1	PCA-REAR SENSOR	28480	07580-60102
34	07580-60051	8	1	CABLE ASSEMBLY-GROUND	28480	07580-60051
35	07580-40051	6	1	BRACKET-PIVOT FORK	28480	07580-40051
36	1460-1871	2	1	SPRING-FORK	28480	1460-1871
37	07580-40053	8	1	FORK-STABLE CUP	28480	07580-40053
38	07580-20163	9	1	SHAFT-FORK	28480	07580-20163
39	07585-20254	4	1	SIDE PLATE ASSEMBLY (LH)	28480	07585-20254
40	3030-0602	6	1	SCREW-SET 6-32 .25-IN-LG CUP-PT ALY STL	00000	ORDER BY DESCRIPTION
41	1410-0012	6	2	BRG-RDL BA .375-IN-ID .875-IN-OD	28480	1410-0012
42	2190-0142	6	7	WASHER-FL MTLIC NO. 6 .156-IN-ID .5-IN-OD	00000	ORDER BY DESCRIPTION
43	07580-60041	6	2	PULLEY ASSEMBLY-IDLER	28480	2190-0141
44	07580-20022	9	1	BOLT (IDLER PULLEY)	28480	07580-20022
45	07580-20021	8	1	SPACER-IDLER	28480	07580-20021
46	07585-60253	7	1	CENTER PLATEN ASSEMBLY	28480	07585-60253
47	07580-20159	3	1	AXLE-ACTUATOR	28480	07580-20159
48	0510-0083	2	2	RETAINER-RING E-R EXT .25-IN-DIA STL	28480	0510-0083
49	3050-0470	8	2	WASHER-FL MTLIC 1/4 IN .281-IN-ID	00000	ORDER BY DESCRIPTION
50	07580-40052	7	1	ACTUATOR-STABLE CUP	28480	07580-40052
51	2510-0123	3	2	SCREW-MACH 8-32 .5-IN-LG R2 DEG	00000	ORDER BY DESCRIPTION
52	07585-20302	3	1	SIDEPLATE-SUB	28480	07585-20302
53	2680-0179	8	2	SCREW-MACH 10-24 .5-IN-LG PAN-HD-POZI	00000	ORDER BY DESCRIPTION
54	07585-20136	1	1	BRIDGE BRACE-PINCH ROLLER	28480	07585-20136
55	07585-20135	0	1	BRIDGE-PINCH ROLLER	28480	07585-20135
56	07585-20137	2	1	GUIDE-PINCH ROLLER	28480	07585-20137
57	07585-40106	7	1	LIFT ARM-PINCH ROLLER (L.H.)	28480	07585-40106
58	07585-60250	4	1	Y-ARM ASSEMBLY	28480	07585-60250
59	2190-0105	1	18	WASHER-LK HLCL NO. 6 .141-IN-ID	00000	ORDER BY DESCRIPTION
60	2510-0109	5	3	SCREW-MACH 8-32 .625-IN-LG PAN-HD-POZI	00000	ORDER BY DESCRIPTION
61	07585-40104	5	2	SHIELD-SLOT	28480	07585-40104
62	2510-0111	9	4	SCREW-MACH 8-32 .75-IN-LG PAN-HD-POZI	00000	ORDER BY DESCRIPTION
63	07580-20129	7	1	CAM-PAPER STOP	28480	07580-20129
64	07585-60246	8	1	SHAFT-PINCH WHEEL	28480	07585-60246
65	1410-0945	4	2	BEARING-SLEEVE .250-ID .297-OD	28480	1410-0945
66	1460-1868	7	2	SPRING-COMPRESSION	28480	1460-1868
67	07585-20305	6	1	PAPER STOP	28480	07585-20305
68	07585-20311	4	1	SHAFT-PIVOT	28480	07585-20311
69	0624-0090	0	1	SCREW-TPG 4-40 .438-IN-LG PAN-HD-POZI	00000	ORDER BY DESCRIPTION
70	07585-20310	3	1	ACTUATOR-ALIGNMENT STOP	28480	07585-20310
71	07585-40103	4	1	FOLLOWER-CAM	28480	07585-40103
72	07585-40105	6	1	CAM-MICROSWITCH, PINCH WHEEL	28480	07585-40105
73	07585-20315	8	2	CLAMP-MICROSWITCH	28480	07585-20315
74	07585-20312	5	1	MOUNT-ADJUSTMENT	28480	07585-20312

Table 4-18. Parts List, Pen, Media, and Motor Drive Mechanics — Model 7585B (Continued)

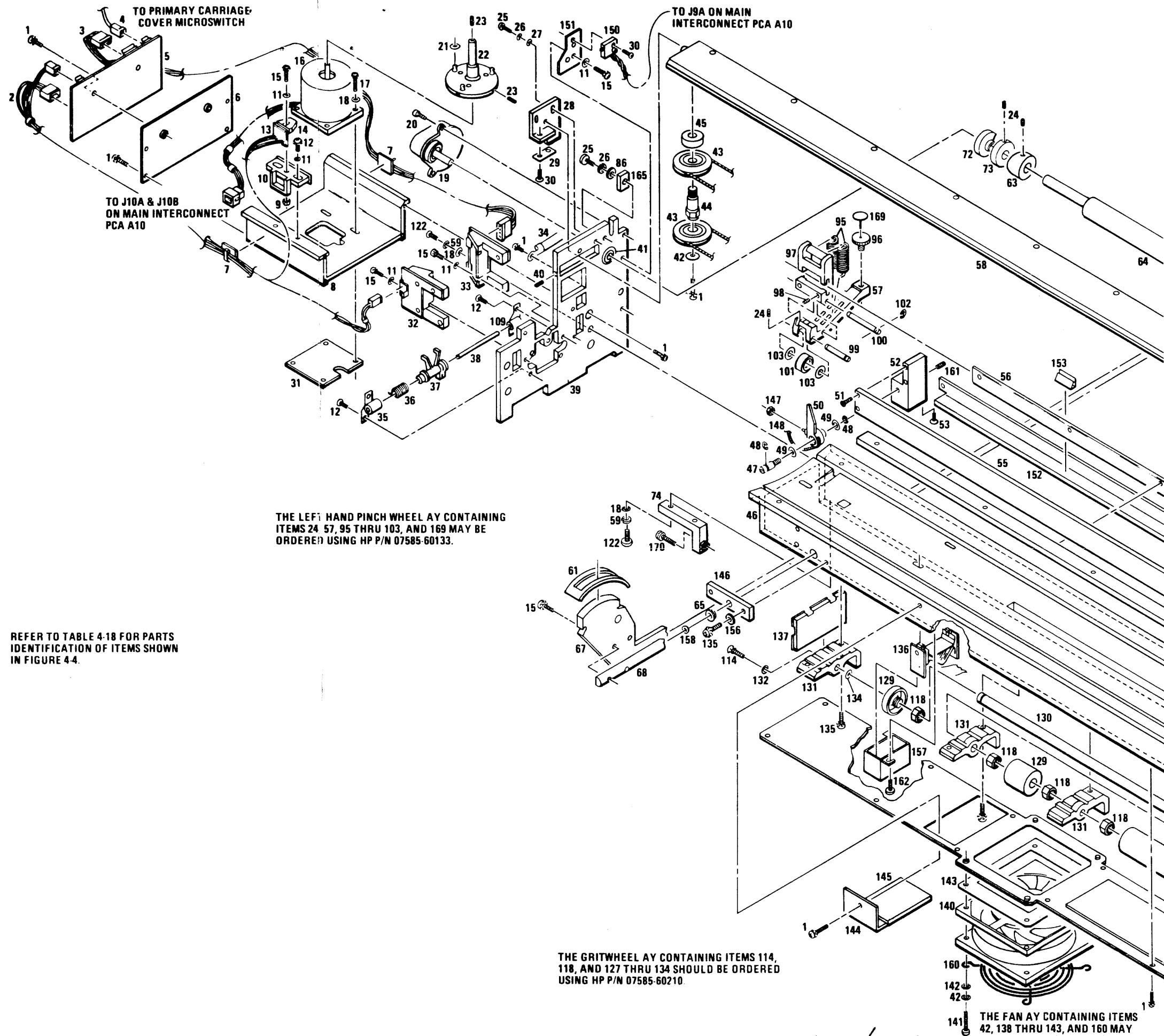
Reference Designation	HP Part Number	C D	Qty	Description	Mfr Code	Mfr Part Number
75	0520-0164	1	2	SCREW-MACH 2-56 .25-IN-LG 82 DEG	00000	ORDER BY DESCRIPTION
76	07580-60084	7	1	COVER-PEN LIFT PLATE	28480	07580-60084
77	07585-60013	0	1	PEN CARRIAGE ASSEMBLY (INCL. TRAILING CABLE)	28480	07585-60013
78	2360-0210	0	2	SCREW-MACH 6-32 .625-IN-LG 82 DEG	00000	ORDER BY DESCRIPTION
79	0510-0533	7	2	RETAINER-RING E-R EXT .375-IN-DIA SST	28480	0510-0533
80	07580-20020	7	1	SHAFT-PULLEY	28480	07580-20020
81	1410-1121	0	2	BEARING-THRUST .751-ID	28480	1410-1121
82	07585-20019	9	1	BOBBIN, Y-DRIVE CABLE	28480	07585-20019
83	07585-60015	9	1	CABLE ASSEMBLY, Y-DRIVE	28480	07585-60015
84	07580-20073	0	1	GEAR, Y-SPUR	28480	07580-20073
85	2510-0115	3	2	SCREW-MACH 8-32 1-IN-LG PAN-HD-POZI	00000	ORDER BY DESCRIPTION
86	3050-0139	6	5	WASHER-FL MTLG NO. 8 .172-IN-ID	00000	ORDER BY DESCRIPTION
87	2510-0302	0	3	SCREW-MACH 8-36 .75-IN-LG PAN-HD-SLT	00000	ORDER BY DESCRIPTION
88	07580-40019	6	1	LINK, Y-EXPANSION	28480	07580-40019
89	07580-20162	8	2	NUT-ADJUSTMENT	28480	07580-20162
90	07580-20161	7	2	SCREW-ADJUSTMENT	28480	07580-20161
91	07580-20165	1	2	BUSHING-PIVOT	28480	07580-20165
92	2190-0882	1	4	WASHER-FL MTLG NO. 8 .188-IN-ID	00000	ORDER BY DESCRIPTION
93	07580-20029	6	1	DRIVE CASTING (MACHINED)	28480	07580-20029
94	07580-20026	3	1	BRACKET-PIVOT	28480	07580-20026
95	1460-1902	0	4	SPRING-EXT (PINCH ROLLER)	28480	1460-1902
96	07585-20321	6	2	THUMB SCREW-PINCH ROLLER	28480	07585-20321
97	07580-40006	1	2	YOKER-PINCH ROLLER	28480	07580-40006
98	3030-0007	5	4	SCREW-SET 4-40 .125-IN-LG SMALL CUP-PT	00000	ORDER BY DESCRIPTION
99	07580-20140	2	2	AXLE-PINCH ROLLER	28480	07580-20140
100	07580-20141	3	2	AXLE-LIFT ARM	28480	07580-20141
101	07580-60019	8	2	PINCH WHEEL SUB-ASSEMBLY	28480	07580-60019
102	0510-0015	0	6	RETAINER-RING E-R EXT .125-IN-DIA STL	28480	0510-0015
103	3050-1059	1	1	WASHER-FL STOP	84928	3050-106-15
104	9160-0283	0	1	MAGNET-SENSOR (REED SWITCH)	28480	9160-0283
105	07585-40107	8	1	LIFT ARM-PINCH ROLLER (R.H.) MKD.	28480	07585-40107
106	2200-0167	8	2	SCREW-MACH 4-40 .375-IN-LG 82 DEG	00000	ORDER BY DESCRIPTION
107	1531-0202	2	1	MOTOR MOUNT Y-AXIS	28480	1531-0202
108	1251-2619	5	1	CONNECTOR 4-PIN M UTILITY	28480	1251-2619
109	07580-20192	4	1	BRACKET-FORK (MACHINED)	28480	07580-20192
110	07580-60016	5	2	MOTOR-DRIVE ASSEMBLY	28480	07580-60016
111	2190-0871	8	6	WASHER-SPR CRVD 1/4 IN .265-IN-ID	00000	ORDER BY DESCRIPTION
112	07580-20151	5	3	SCREW-SHOULDERED	28480	07580-20151
113	1251-6880	0	1	CONNECTOR-4-PIN MALE	28480	1251-6880
114	3030-0208	6	1	SCREW-SKT HD CAP 4-40 .25-IN-LG ALY STL	00000	ORDER BY DESCRIPTION
115	2360-0133	6	5	SCREW-MACH 6-32 1.25-IN-LG PAN-HD-POZI	00000	ORDER BY DESCRIPTION
116	07580-40018	5	1	LINK, X-EXPANSION	28480	07580-40018
117	1531-0201	1	1	MOTOR X-MOUNT	28480	1531-0201
118	07580-20025	2	4	NUT-GRIT WHEEL	28480	07580-20025
119	07580-20018	3	1	CLAMP, X-MOTOR	28480	07580-20018
120	07580-20017	2	1	SPUR GFAR-X	28480	07580-20017
121	07580-20031	0	3	SPACER, X-MOTOR PLATE	28480	07580-20031
122	2360-0203	1	6	SCREW-MACH 6-32 .625-IN-LG PAN-HD-POZI	00000	ORDER BY DESCRIPTION
123	07585-20253	3	1	SIDE PLATE ASSEMBLY (RH)	28480	07585-20253
124	1600-1282	7	*	SHIM-Y-ARM (RT) THIN	28480	1600-1282
	1600-1283	8	*	SHIM-Y-ARM (RT) THICK	28480	1600-1283
125	2580-0003	5	1	NUT-HEX-W/LKWR 8-32-THD .125-IN-THK	00000	ORDER BY DESCRIPTION
126	3030-0849	3	1	SCREW-SET 8-32 .875-IN-LG SMALL CUP-PT	00000	ORDER BY DESCRIPTION
127	07580-20168	4	1	SHAFT-DRIVE (GRIT WHEEL)	28480	07580-20168
128	07580-60030	3	1	BLOCK MOUNTING ASSEMBLY (RH)	28480	07580-60030
129	07585-60021	7	1	GRIT WHEEL SUB-ASSEMBLY (MATCHED)	28480	07585-60021
130	07585-20068	8	1	SHAFT-GRIT WHEEL	28480	07585-20068
131	07580-60031	4	2	BLOCK-MOUNTING ASSEMBLY	28480	07580-60031
132	07580-20193	5	1	WASHER-GRIT WHEEL	28480	07580-20193
133	2510-0045	8	2	SCREW-MACH 8-32 .375-IN-LG PAN-HD-POZI	00000	ORDER BY DESCRIPTION
134	0510-0020	7	1	RETAINER-RING CRSNT EXT .312-IN-DIA STL	28480	0510-0020
135	2360-0121	2	10	SCREW-MACH 6-32 .5-IN-LG PAN-HD-POZI	00000	ORDER BY DESCRIPTION
136	07585-60118	3	1	PCA-PAPER SENSOR ASSEMBLY	28480	07585-60118
137	07580-40032	3	1	PLATE-BAFFLE	28480	07580-40032
138	0340-0940	9	1	INSULATOR DMP CMPD	28480	0340-0940
139	07585-00032	4	1	MOUNTING PLATE-FAN	28480	07585-00032
140	3160-0315	3	1	FAN-TBOX 120-CFH 115V 50/60 HZ	28480	3160-0315
141	2360-0318	9	4	SCREW MACH 6-32 1.875-IN LG PAN-HD-POZI	00000	ORDER BY DESCRIPTION
142	3050-0794	9	4	WASHER-FL NM NO. 6 .14-IN-ID .406-IN-OD	00000	ORDER BY DESCRIPTION
143	0905-0913	4	1	GASKET-FAN	28480	0905-0913
144	07580-00081	8	1	COVER-PAPER SENSOR	28480	07580-00081
145	0460-1416	0	1	TAPE-INDUSTRIAL 2" WIDE POLYFOAM	28480	0460-1416
146	07585-20313	6	1	BUSHING-ADJUST	28480	07585-20313
147	0590-0076	1	1	NUT-HEX-PLSTC LKG 4-40-THD .143-IN-THK	00000	ORDER BY DESCRIPTION
148	07580-60038	1	1	CABLE-ACTUATOR ASSEMBLY	28480	07580-60038
149	07580-60008	5	1	BRACKET-DRIVE CABLE ASSEMBLY	28480	07580-60008

Table 4-18. Parts List, Pen, Media, and Motor Drive Mechanics — Model 7585B (Continued)

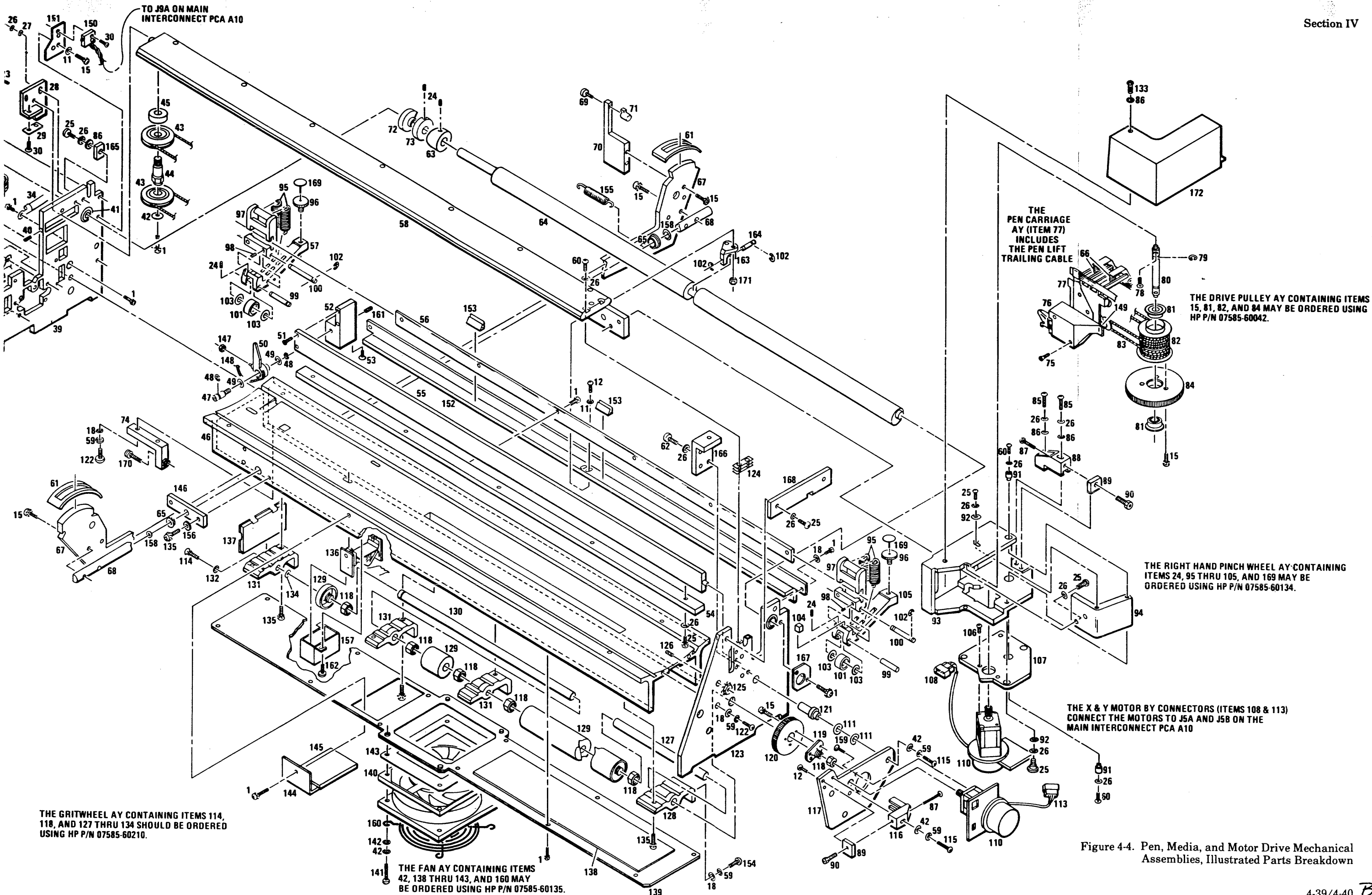
Reference Designation	HP Part Number	C D	Qty	Description	Mfr Code	Mfr Part Number
150	3101-2626	9	1	MICROSWITCH-PINCH ROLLER CAM	28480	3101-2626
151	07585-00164	3	1	SPACER-MICROSWITCH	28480	07585-00164
152	07585-20308	9	1	CHANNEL-TRAILING CABLE	28480	07585-20308
153	1400-0900	0	2	CLAMP-TRAILING CABLE	28480	1400-0900
154	2360-0205	3	5	SCREW-MACH 6-32 .75-IN-LG PAN-HD-POZI	00000	ORDER BY DESCRIPTION
155	1460-1977	9	1	SPRING-EXTENSION	28480	1460-1977
156	3050-0016	8	2	WASHER-FL MTLC NO. 6 .147-IN-ID	00000	3050-0016
157	07585-40100	1	1	MOUNT-PAPER SENSOR	28480	07585-40100
158	3050-0958	7	2	WASHER-SPR CRVD .269-IN-ID .423-IN-OD	00000	3050-0958
159	2200-0169	0	6	SCREW-MACH 4-40 .5-IN-LG 82 DEG	00000	ORDER BY DESCRIPTION
160	3160-0099	0	1	GRILL-FAN	28480	3160-0099
161	3030-0892	6	1	SCREW-SET 10-24 .375-IN-LG CUP-PT SST	00000	ORDER BY DESCRIPTION
162	2360-0115	4	2	SCREW-MACH 6-32 .312-IN-LG PAN-HD-POZI	00000	ORDER BY DESCRIPTION
163	07585-40101	2	1	SUPPORT-CAM SHAFT	28480	07585-40101
164	07585-20212	4	1	PIN-SUPPORT	28480	07585-20212
165	07585-20309	0	1	MOUNTING PLATE-ADJUST	28480	07585-20309
166	07585-20304	5	1	Y-ARM MOUNTING PLATE (RH)	28480	07585-20304
167	07585-00163	2	1	RETAINER-BAG	28480	07585-00163
168	07585-20318	1	1	BRACE-SIDEPLATE	28480	07585-20318
169	07585-20322	7	2	THRUST PAD	28480	07585-20322
170	3030-0013	3	1	SCREW-SKT HD CAP 6-32 .75-IN-LG ALY STL	00000	ORDER BY DESCRIPTION
171	2420-0003	7	2	NUT-HEX, DBL-CHAM 6-32-THD .094-IN-THK	00000	ORDER BY DESCRIPTION
172	07580-40297	2	1	COVER-GEAR, MOTOR	28480	07580-40297
173	T96083	7	2	SCREW, SELF-TAPPING 8-32 X .250-IN-LG	00000	ORDER BY DESCRIPTION
174	T96084	9	6	SCREW, SELF-TAPPING 8-32 X .325-IN-LG	00000	ORDER BY DESCRIPTION
<p>NOTES</p> <p>*QUANTITY OF SHIMS IS DEPENDENT ON ARM ADJUSTMENT AND MAY VARY FROM PLOTTER TO PLOTTER.</p> <p>THE DRIVE PULLEY AY CONTAINING ITEMS 15,81,82,84 MAY BE ORDERED USING HP P/N 07585-60042.</p> <p>THE LEFT HAND PINCH WHEEL AY CONTAINING ITEMS 24,57,95 THRU 103,169 MAY BE ORDERED USING HP P/N 07585-60133.</p> <p>THE RIGHT HAND PINCHWHEEL AY CONTAINING ITEMS 24,95 THRU 105 & 169 MAY BE ORDERED USING HP P/N 07585-60134.</p> <p>**THE GRITWHEEL AY CONTAINING ITEMS 114,118,127 THRU 134 SHOULD BE ORDERED USING HP P/N 07585-60210.</p> <p>THE FAN AY CONTAINING ITEMS 42, 138 THRU 143 AND 160 MAY BE ORDERED USING HP P/N 07585-60135</p>						

Table 4-19. Parts List, Stand Assembly — Model 7585B

Reference Designation	HP Part Number	C D	Qty	Description	Mfr Code	Mfr Part Number
1	1492-0045	7	4	CASTER-SWIVEL	28480	1492-0045
2	3030-0821	1	12	SCREW-SKT HD CAP 1/4-20 .375-IN-LG	00000	ORDER BY DESCRIPTION
3	2190-0431	6	12	WASHER-LK HLCL 1/4 IN .255-IN-ID	00000	ORDER BY DESCRIPTION
4	07580-60128	0	2	FOOT	28480	07580-60128
5	07580-20152	6	2	LEG	28480	07580-20152
6	07580-00025	0	2	INSERT-OUTSIDE LEG	28480	07580-00025
7	07585-00030	2	1	TABLE-FRONT	28480	07585-00030
8	07585-00027	7	1	PLATEN-FRONT	28480	07585-00027
9	2360-0117	6	22	SCREW-MACH 6-32 .375-IN-LG PAN-HD-POZI	00000	ORDER BY DESCRIPTION
10	07585-00028	8	1	PLATEN-REAR	28480	07585-00028
11	07585-00031	3	1	TABLE-REAR	28480	07585-00031
12	07585-00041	5	1	PAN-BASE	28480	07585-00041
13	3050-0066	8	22	WASHER-FL MTLC NO. 6 .147-IN-ID	00000	ORDER BY DESCRIPTION
14	2360-0205	3	8	SCREW-MACH 6-32 .75-IN-LG PAN-HD-POZI	00000	ORDER BY DESCRIPTION
15	2190-0105	1	8	WASHER-LK HLCL NO. 6 .141-IN-ID	00000	ORDER BY DESCRIPTION
16	07580-60125	7	2	CASE-BOTTOM	28480	07580-60125
17	2190-0074	3	8	WASHER-LK HLCL NO. 10 .194-IN-ID	00000	ORDER BY DESCRIPTION
18	07585-60076	2	1	ELECTRONIC CASE ASSEMBLY	28480	07585-60076
19	2680-0103	8	8	SCREW-MACH 10-32 .5-IN-LG PAN-HD-POZI	00000	ORDER BY DESCRIPTION
20	07585-00026	6	1	INSERT-LEG BRACE	28480	07585-00026
21	07585-20154	3	1	BRACE-LEG	28480	07585-20154
22	07585-00201	9	2	BRACKET-TABLE	28480	07585-00168
23	07585-00169	8	1	BRACKET-TABLE, FRONT	28480	07585-00201
24	1390-0532	1	2	INSERT-THREADED NYLON	94222	F1-10-106-12
25	3030-0929	0	6	SCREW-FLAT HEAD 6-32 .375"LG 82 DEG	00000	ORDER BY DESCRIPTION
26	07585-00203	1	2	BRACKET-TABLE, REAR	28480	07585-00203
27	2360-0121	2	8	SCREW-MACH 6-32 .5-IN-LG PAN-HD-POZI	00000	ORDER BY DESCRIPTION



4-39/40A



velocity estimator and position error registers, applying their contents to the input of the servo DAC. Depending on which one of these inputs is applied to the DAC, analog switch U39 connects the DAC output to the corresponding sample and hold for that input. The four switches in U39 are individually closed by enabling signals obtained from pins 9, 10, 11, and 12 of U33. The timing of these signals is such that the analog signal path to the sample and hold is made $1.5 \mu\text{s}$ after the digital input is available to the DAC. Also, the analog signal path is opened $1.5 \mu\text{s}$ before the digital input to the DAC is changed, keeping transient signals from reaching the sample and hold circuit.

6-85. **SAMPLE AND HOLD.** Four sample and hold circuits consisting of U38A, U38B, U38C, and U38D and storage capacitors C30, C31, C37, and C38 receive the analog signals from the DAC. U38B and U38C are for X position error and Y position error, respectively, while U38A and U38D are for X velocity feedback and Y velocity feedback. Each circuit holds the last value of its respective signal until that signal is updated.

6-86. **GAIN CONTROL CIRCUITS.** X position error data from the sample and hold circuit is applied to the X servo amplifier through R54 and R50 and Y position error data to the Y servo amplifier through R55 and R51. R50 and R51 adjust the X position gain and Y position gain, respectively.

6-87. X and Y velocity feedback data is applied to the servo amplifiers through X velocity feedback amplifier U23A and Y velocity feedback amplifier U23B, respectively. R48 adjusts the X velocity gain and R49 adjusts the Y velocity gain. The X and Y position and velocity gain adjustments compensate for various parameters, such as inertia of servomotors of different types that may be used with the servo system.

6-88. R24 in the feedback loop of the X velocity amplifier U23A can be bypassed by analog switch U22A, reducing the gain of the amplifier. When the desired position in the X axis is reached the processor supplies an XEND signal at pin 10 of U3 which enables U22A. The resulting gain reduction in U23, along with gain reduction implemented in the processor firmware, reduces the amount of overshoot of the desired position. A YEND signal supplied by U3 controls the Y velocity gain in a similar manner.

6-89. **X AND Y SERVO AMPLIFIERS.** Amplifier U23D, transistors Q4 and Q6, and the complementary-symmetry output pair Q1 and Q2 on the Motor Drive Transistor PCA provide the voltage and current gain necessary to drive the X axis motor. Analog switch U22D, when closed, applies the output of U23 to Q4 and Q6. When the servo is shut down, this switch opens, preventing transient signals from causing undesirable motor movement. S1 allows U22D to be bypassed for testing purposes. S2, also used for certain tests, allows the servo loop to be opened by removing the drive signals from the output transistors. R68 adjusts the dc offset of the X servo amplifier and is set for a 0 V output at test point XA with 0 V at the input. In normal operation the output from Q1 and Q2 on the Motor Drive Transistor PCA is applied to the X motor by relay K1. This relay opens and removes motor drive under certain conditions.

6-90. Amplifier U23C, transistors Q5 and Q7, and transistors Q3 and Q4 on the Motor Drive Transistor PCA comprise the Y servo amplifier. Its operation is similar to that of the X servo amplifier. A simplified diagram of the motor drive circuitry is shown in Figure 6-7.

6-91. U40D forms a level detector, the inputs of which are connected to the output of both servo amplifiers. Its output feeds DS2 and DS3, whose indications are used in certain tests of the servo circuitry. Positive and negative voltages greater in magnitude than the circuit's threshold (about 8 V) illuminate DS2 and DS3 respectively.

6-92. **REFERENCE SOURCE.** Zener diode VR1 and resistor R46 develop a +5.1 V reference voltage from the +12 V power supply. A voltage divider consisting of R44 and R45 develops a +2.55 V reference from this voltage. Inverting amplifier U40A develops a -5.1 V reference voltage from the +5.1 V source.

6-93. The +2.55 V source is used by the power up and shutdown circuits while the ± 5.1 V sources establish an accurate reference from which to set the DAC and servo amplifiers' dc offset.

6-94. **SAFETY CIRCUIT.** When power is first applied to the plotter and the power supply outputs are rising to their quiescent levels, Q1 of the motor shutdown relay drive latch is ON and Q2 is OFF. After the ± 12 V supplies reach their working voltage and the 1 MHz clock is available, the output of U1A and U1B is high, preparing Q1 and Q2 to change state. Once the +5 V supply, which is the last supply to reach its working level, achieves a voltage greater than +4.5 V the PUP (POWER UP) signal at pin 13 of U1D goes to a high level. The processor recognizes the PUP signal and sends a STARTUP signal to the servo through pin 2 of U3. The low going STARTUP pulse turns Q1 OFF and Q2 ON. Q2 energizes relay K1 which completes the circuit from the servo amplifiers to the servo motors. If any of the previously mentioned conditions fail, relay K1 will not be energized and no drive will be available to the motors.

6-95. A failure of the main clock circuit would cause the servo to apply incorrect signals to the servo motors, a condition which could cause damage to the mechanics. Failure of the 1 MHz clock is detected by U18A and Q3. When the clock signal is present, the voltage at the collector of Q3 is close to 0 V. When no clock signal is applied to Q3, its collector goes to a high level which turns Q2 OFF through U1B. Relay K1 then opens and removes the drive from the servo motors.

6-96. Failure of the processor to respond to an interrupt from the Servo PCA would cause signals to be applied to the servo motors which could cause damage to the mechanics. Every interrupt cycle, counter U31 is cleared by the output of U15C. It then counts the XECLK and YECLK position error control signals supplied by U15D. If two control signals are counted, a high level is present at pin 11 of the counter. If one or both of the signals is missing, a low level is input to U8B by the pin 11 output of the counter. This causes the signal (SHUTDOWN) at pin 9 of U8B to go to a low level at the end of the interrupt cycle as determined by the 1 kHz clock. Q2 is turned OFF by the

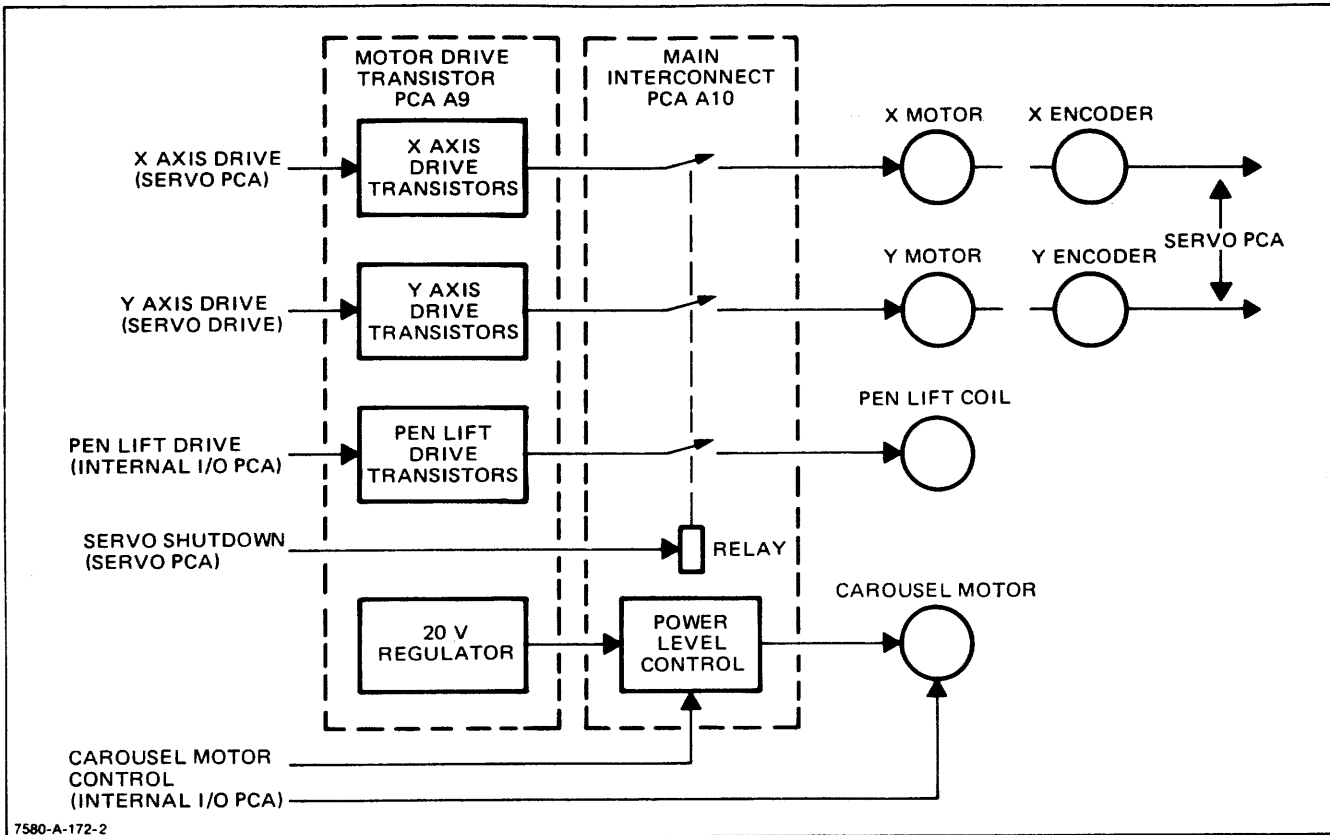


Figure 6-7. Motor Drive Circuits Simplified Block Diagram

SHUTDOWN signal and relay K1 opens, removing the drive from the servo motors.

6-97. If servo shutdown occurs because of a missing clock signal or an interrupt service failure, the servo can only be restarted by correcting the malfunction and cycling power.

6-98. **INTERFACING CIRCUITRY.** Bi-directional bus transceivers U5 and U6 provide the data path to and from the Processor PCA. The direction of communication is controlled by the processor READ/WRITE signal which, through U4, sets the level at pin 1 of these devices accordingly. A low level causes data from the microprocessor bus to be applied to the servo control electronics when pin 19 is low, while a high level puts data from the servo electronics on the microprocessor bus.

6-99. Buffer U4 and decoder U11 provide the servo control signals for reading X and Y position (X POS RD, Y POS RD), writing X and Y position error (XECLK, YECLK), and clocking the X and Y endpoint signals and the startup signal (START/END) into U3. The LONG DIV signal at pin 7 of U11 indicates that the processor is involved in a long division calculation at the time an interrupt for reading position is to be received from the servo control electronics.

6-100. When the IOA7 line is pulsed, the X and Y position counts are registered into their respective position registers. The X POS RD and Y POS RD signals then

make the counts available to the bus by enabling the outputs of these registers.

6-101. To input X and Y position error data to the servo control electronics the processor places the data on the bus and brings pin 1 of U5 and U6 to a low level. The XECLK or YECLK signal then stores the data in the corresponding position error register.

6-102. The control signals, listed in Table 6-1, are developed by U11 from the A1, A2, and A3 lines connecting to U4. Simultaneous low levels on the IOA7 and IOA5 lines applied to U4 enable the outputs of U11. IOA7 is low once the position counts have been stored in the position registers and the IOA5 is low when valid data is present on the A1, A2, and A3 lines.

Table 6-1. Servo Control Signals

CONTROL SIGNAL	A3	A2	A1
<u>START/END</u>	1	0	0
<u>LONG DIVISION</u>	1	1	1
<u>X POS RD</u>	0	1	0
<u>XECLK</u>	0	0	0
<u>Y POS RD</u>	0	1	1
<u>YECLK</u>	0	0	1

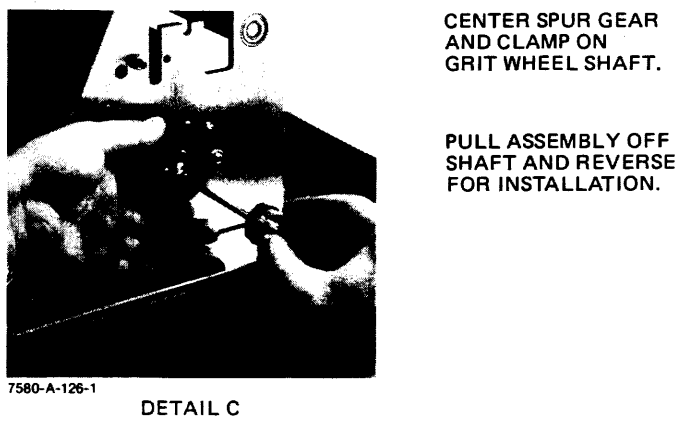
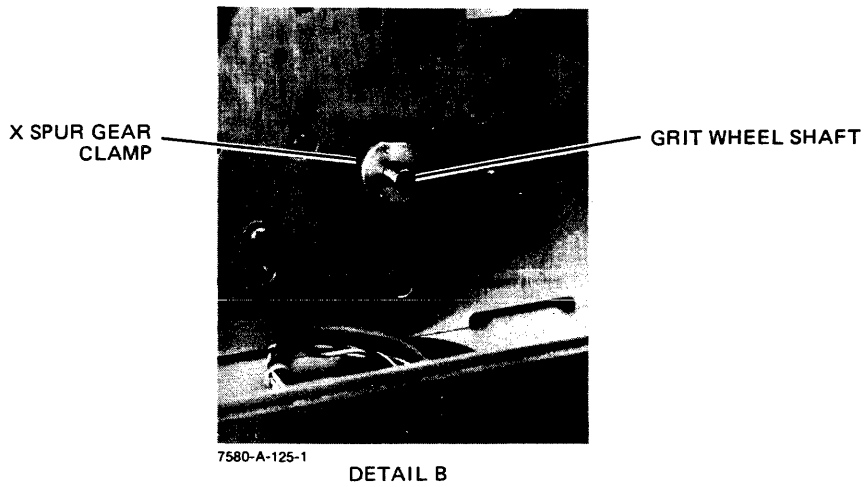
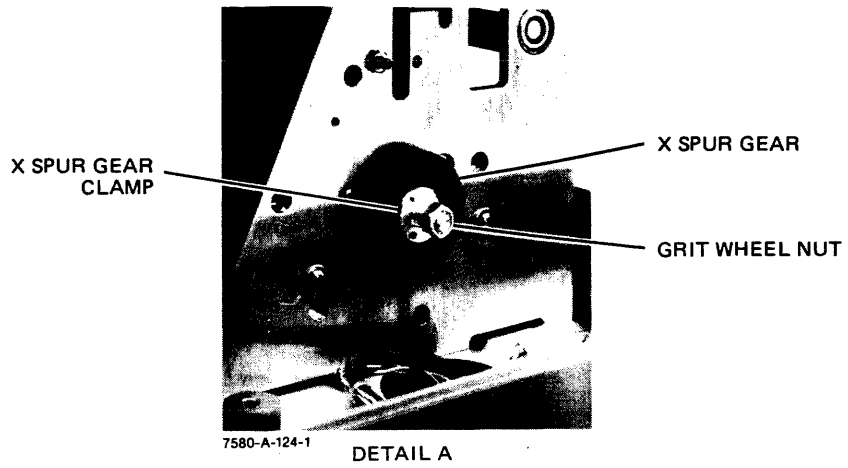


Figure 6-12. X Spur Gear Replacement

- k. Tighten the X motor backlash locking screw.
- l. Connect the X motor/encoder wires.
- m. Install the front panel cover assembly.

6-154. Y DRIVE MOTOR/ENCODER REPLACEMENT

6-155. Replacement of the Y drive motor/encoder assembly is accomplished by performing the following steps:

NOTE

The motor/encoder assembly is serviced as a unit. Do not remove the encoder cover or separate the encoder from the motor.

- a. Turn the plotter OFF.
- b. Remove the front panel cover assembly and the gear cover to access the Y Drive motor.
- c. Disconnect the Y motor and encoder leads at their plugs.
- d. Loosen the Y motor backlash locking screw.
- e. Turn the Y motor backlash adjustment screw several turns counterclockwise.
- f. Remove the Y motor/encoder assembly by removing the two screws securing it to the Y arm

assembly. The rear screw is accessible as shown in Figure 6-13.

- g. To install the Y drive motor/encoder assembly, perform steps h. through l.
- h. Install the Y motor/encoder assembly on the Y arm assembly with its two mounting screws. Orient the assembly with the motor wires exiting the motor toward the front of the plotter.
- i. Perform Y motor backlash adjustment per Section III of this manual.
- j. Tighten the Y motor backlash locking screw.
- k. Connect the Y motor and encoder wires to their respective leads coming from the Main Interconnect PCA.
- l. Install the gear cover and front panel cover assembly.

6-156. JOYSTICK REPLACEMENT

6-157. To replace the joystick assembly, perform the following procedure:

- a. Turn the plotter OFF.
- b. Remove the front table and front cover. If necessary, refer to the procedure for Opening Up the Plotter described in Section III.

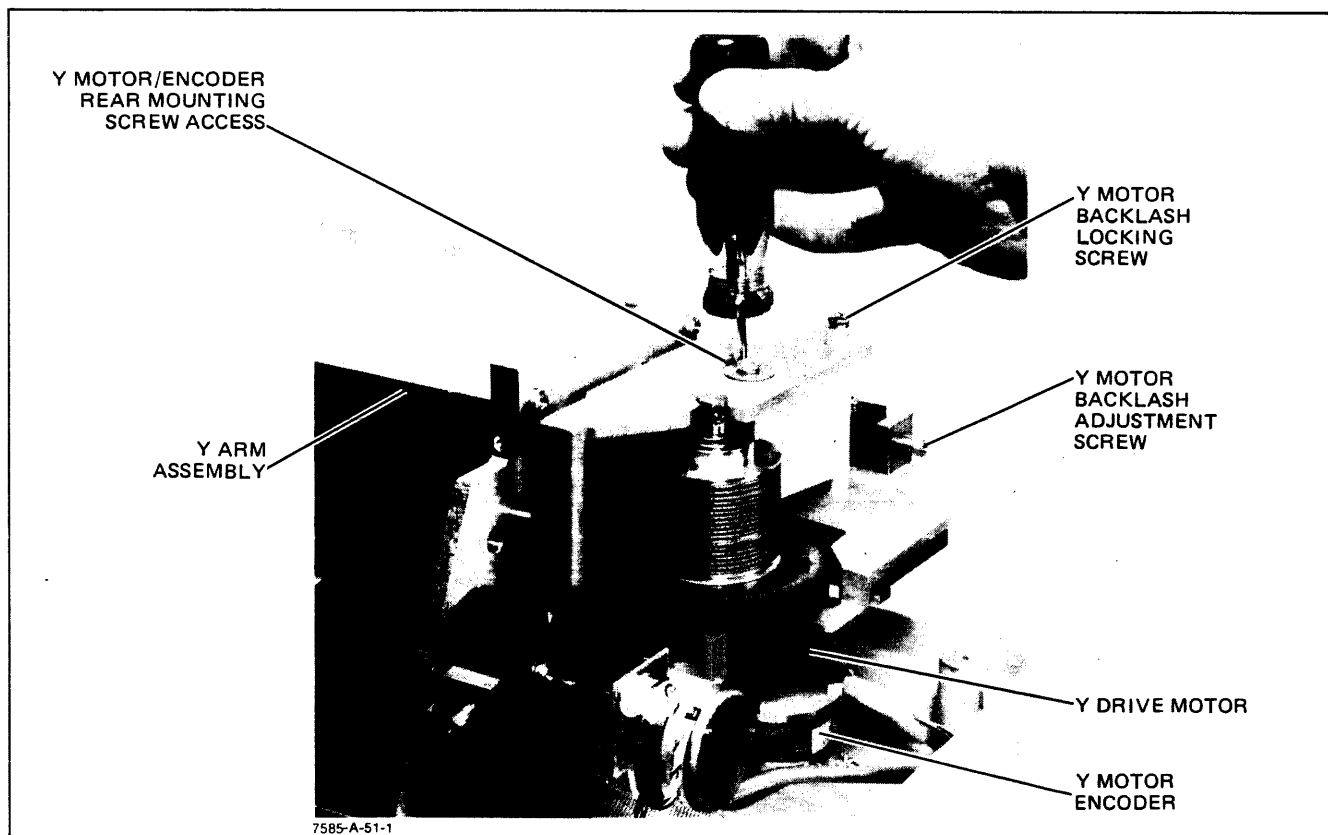


Figure 6-13. Y Drive Motor/Encoder Replacement

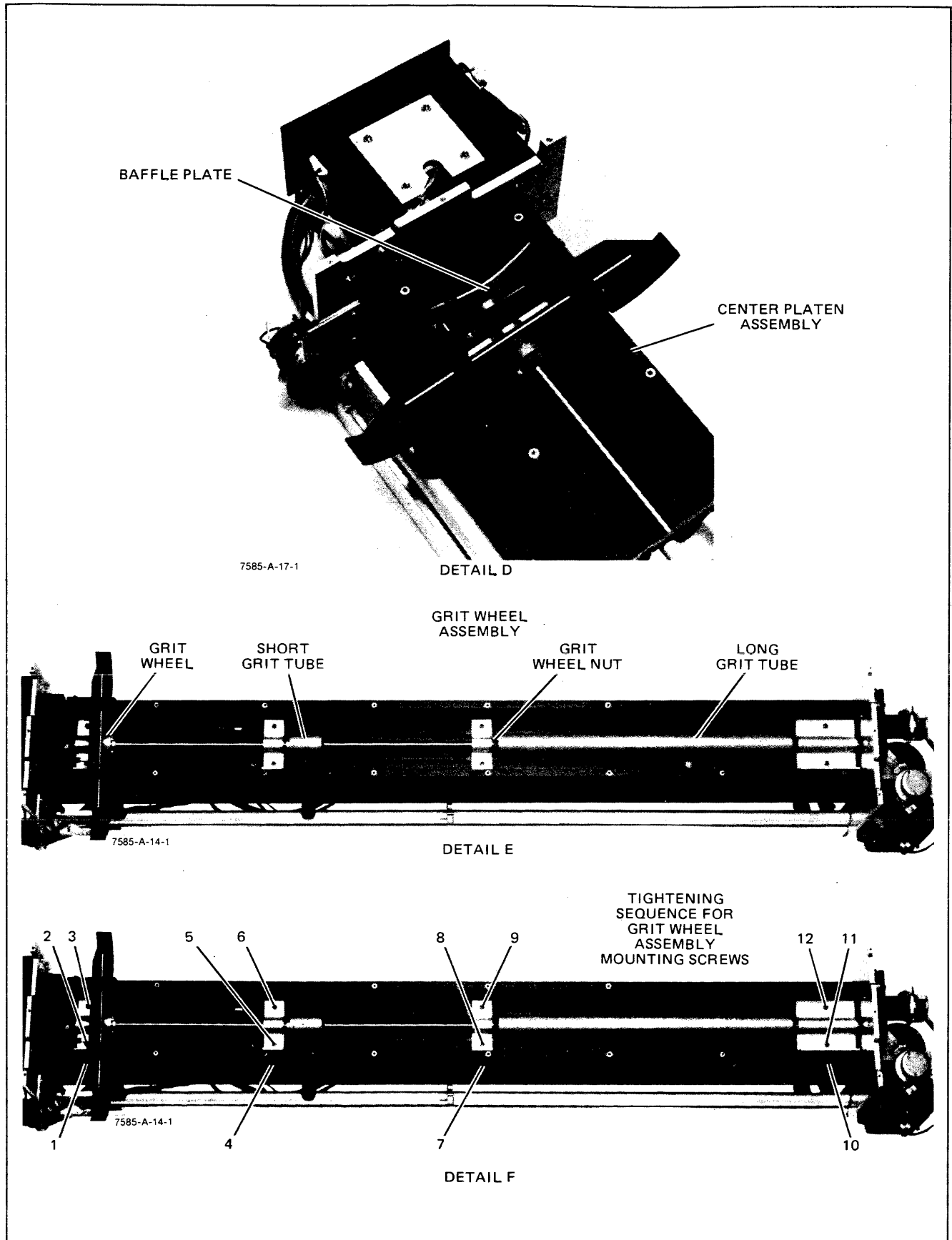


Figure 6-14. Grit Wheel Replacement (Sheet 2 of 2)

- w. Assemble the new grit wheel. Do not tighten the grit wheel nut at this time. See Figure 6-14, Detail E.
- x. Insert the new grit wheel assembly into the center platen assembly. Make sure that the grit wheels align into their openings on the platen.
- y. Install, but do not tighten, the twelve grit wheel assembly mounting screws removed in step v.
- z. Center the small grit wheel in its opening in the platen. Tighten the twelve grit wheel assembly mounting screws in the sequence given in Figure 6-14, Detail F.
- aa. Apply threadlocking compound to the threads of the grit wheel nut.
- ab. Center the large grit wheel in its opening in the platen. Using two half-inch (1/2 in.) open end wrenches, one on each of the grit wheel nuts, tighten the grit wheel nut. See Figure 6-14, Detail E. Tighten the grit wheel nut to approximately 90 inch-pounds of torque.
- ac. Install the baffle plate removed in step u.
- ad. Install the fan plate and fan assembly. Slide the plate up against the right hand side plate before tightening the fifteen mounting screws.
- ae. Install the paper sensor assembly. Make sure both sensors are aligned into their openings in the platen surface.
- af. Install the paper sensor assembly cover and rear paper stop adjustment mount.
- ag. Mount the base pan to the side plate assemblies with the six mounting screws removed in step q. Make sure that no cables are pinched between the base pan and the side plates.
- ah. Place the mechanical assembly group on the electronic case assembly. Do not pinch any cables between the assemblies. Insert and tighten the four hex socket head and eight phillips head mounting screws.
- ai. Reconnect the cables to J1, J2, J3, and J4 on the Main Interconnect PCA A8. Connect the ribbon cables to J6 and J7 on the Main Interconnect PCA A8.
- aj. Connect the fan motor wires.
- ak. Place the X spur gear on the grit wheel shaft. Do not tighten the spur gear clamp nut at this time.
- al. Install the X motor mounting plate onto the right hand side plate.
- am. Connect the X motor and encoder wires.
- an. Position the X spur gear on the grit wheel shaft to where its teeth engage the teeth on the X

motor shaft. Tighten the spur gear clamp nut making sure the gear teeth remain in mesh.

- ao. Perform the X motor backlash adjustment described in Section III of this manual.
- ap. Install the front and rear platens.
- aq. Install the Y arm assembly onto the plotter.
- ar. Connect the Y motor and encoder wires.
- as. Install the pen carriage on the Y arm assembly.
- at. Install the Y arm cover, front cover, pen carousel cover, front panel cover, and the front and rear tables.

6-162. LOGIC SYMBOLOGY AND SCHEMATIC SYMBOLS

6-163. The ANSI Y32.14 logic symbols used in the Model 7585B service sheet schematics are shown and explained in Figure 6-15. Schematic diagram symbols used on the service sheets are shown in Figure 6-16.

6-164. SERVICE SHEETS

6-165. Foldout service sheets are provided in this section. The service sheets contain component location diagrams and schematics for the various printed circuit assemblies (PCAs) and sensors used in the Model 7585B. Component location diagrams and schematics for the HP-IB/RS-232-C (Dual I/O) interface are contained in Appendix A at the back of this manual.

6-166. Service Sheet 1 (Figure 6-17) is an overall functional block diagram illustrating major signal flow and circuit dependency of the plotter.

6-167. Service Sheet 2 (Figure 6-20) contains the schematics for the Front Panel PCA (A4) and Internal I/O PCA (A5). Figures 6-18 and 6-19 are the respective component location diagrams for the Front Panel and Internal I/O PCAs.

6-168. Service Sheet 3 (Figure 6-22) is the schematic for the Main Interconnect PCA (A10). The component location diagram for the Main Interconnect PCA is given in Figure 6-21.

6-169. Service Sheet 4 (Figure 6-24) contains the Processor PCA (A3) schematic and Figure 6-23 contains the Processor PCA component location diagram.

6-170. Service Sheet 5 (Figure 6-26) provides the X and Y Axis Servo PCA (A6) schematic diagram. The X and Y drive motor/encoder assemblies are also shown on this service sheet. The component location diagram for the Servo PCA is shown in Figure 6-25.

6-171. Service Sheet 6 (Figure 6-28) is the schematic diagram for the Motor Drive Transistor PCA (A9) and Figure 6-27 is the corresponding component location diagram.

6-172. Service Sheet 7 (Figure 6-30) contains the Sensor Interconnect PCA (A8) schematic. Figure 6-29 shows the component location for the PCA.

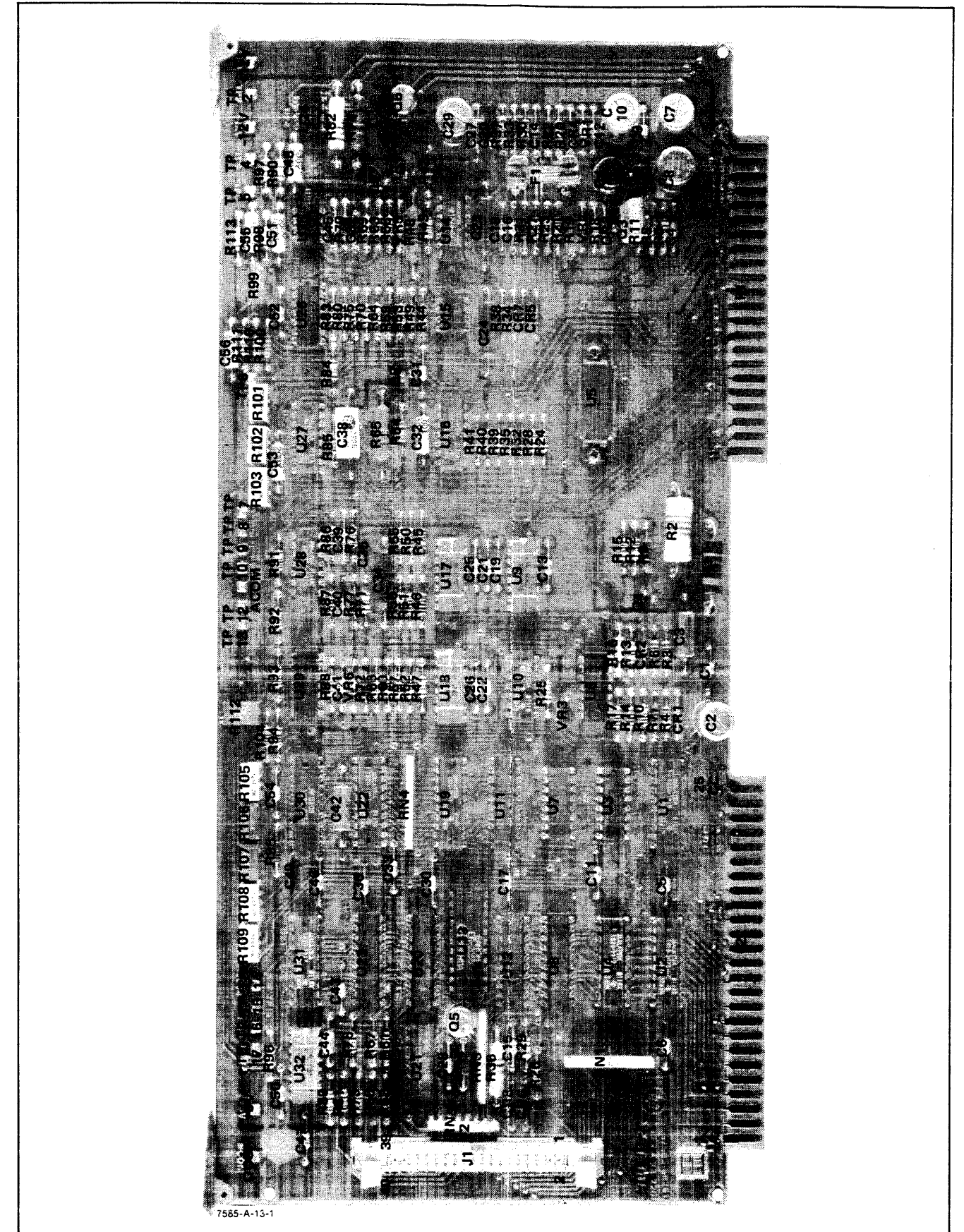
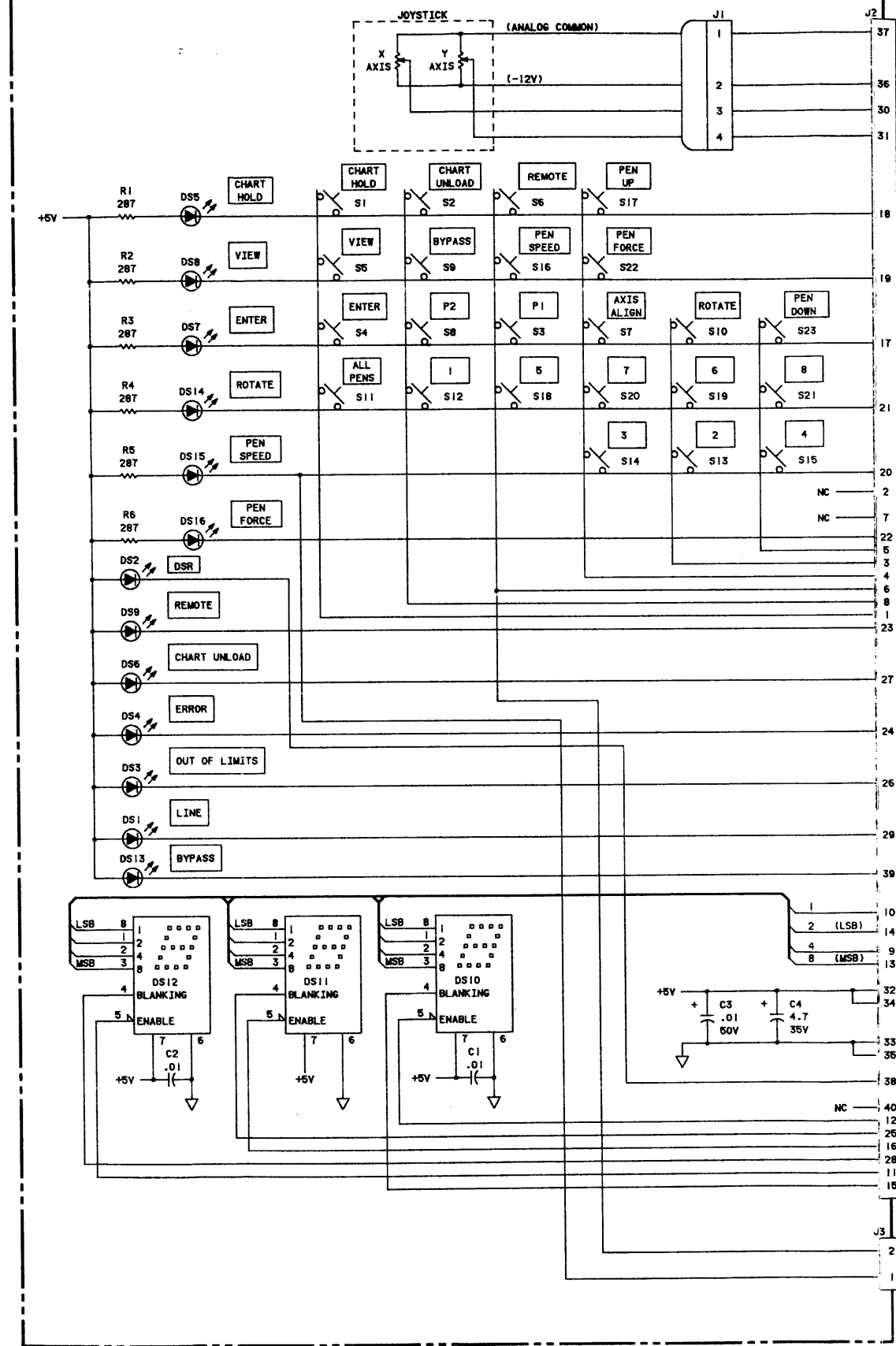


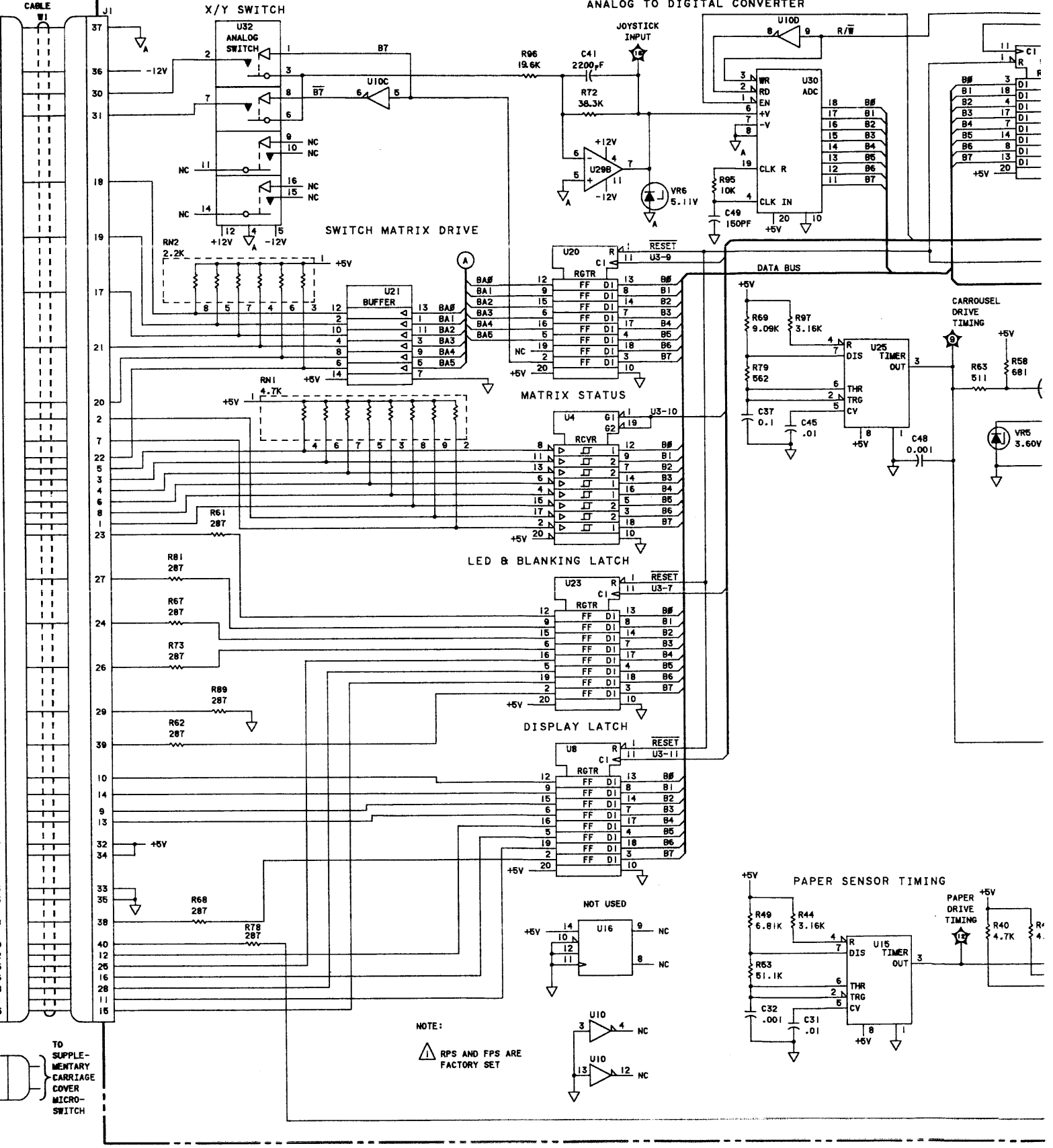
Figure 6-19. Internal I/O PCA A5, Component Identification Diagram

6-51/52A

A4 FRONT PANEL PCA (Q7585-60264)

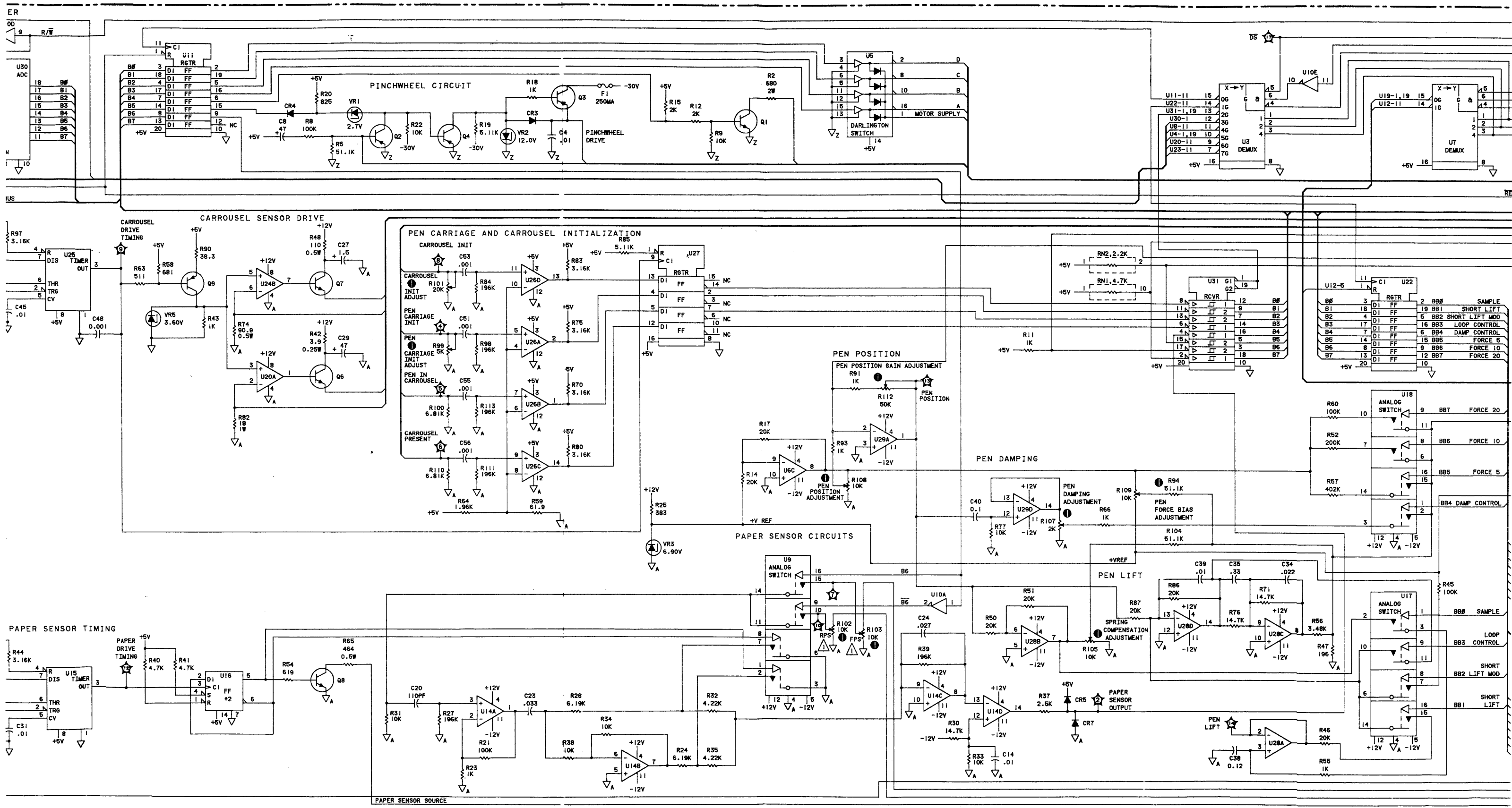


A5 INTERNAL I/O PCA (Q7585-60261)

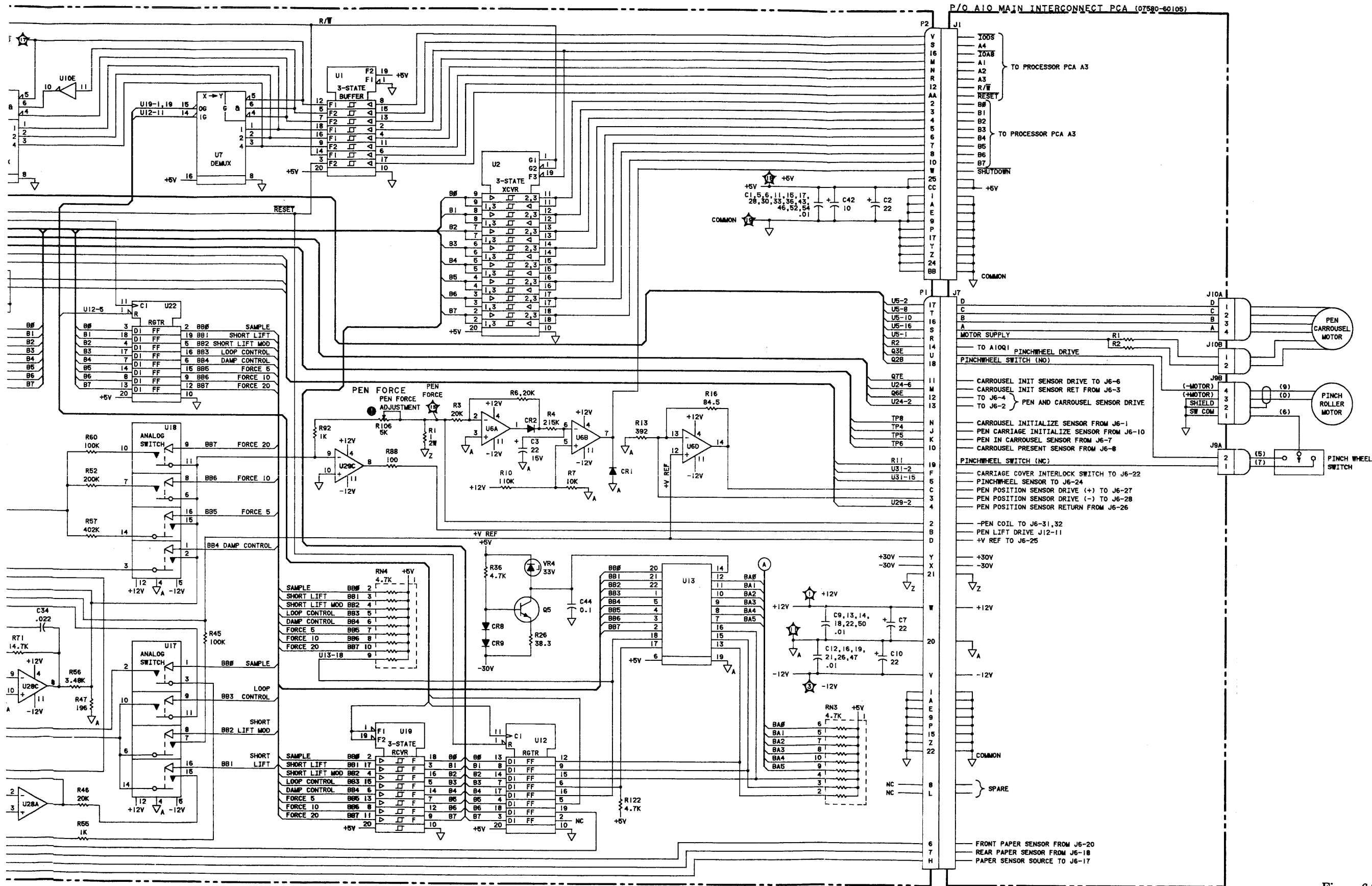


NOTE:
 ▲ RPS AND FPS ARE FACTORY SET

6-51/52 B



6-51/52C



2
SERVICE SHEET

Figure 6-20. Front Panel PCA A4 and Internal I/O PCA A5, Schematic Diagram

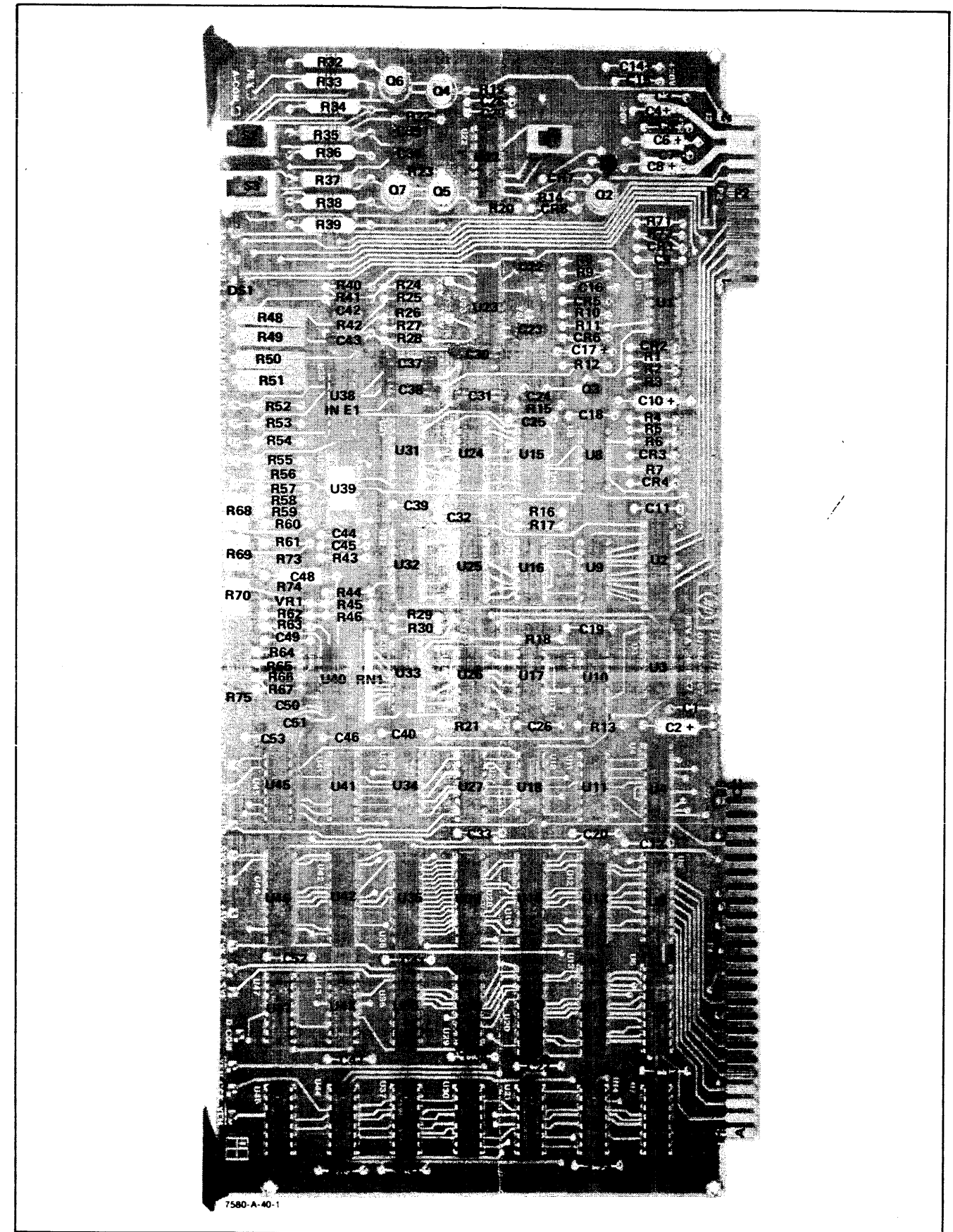
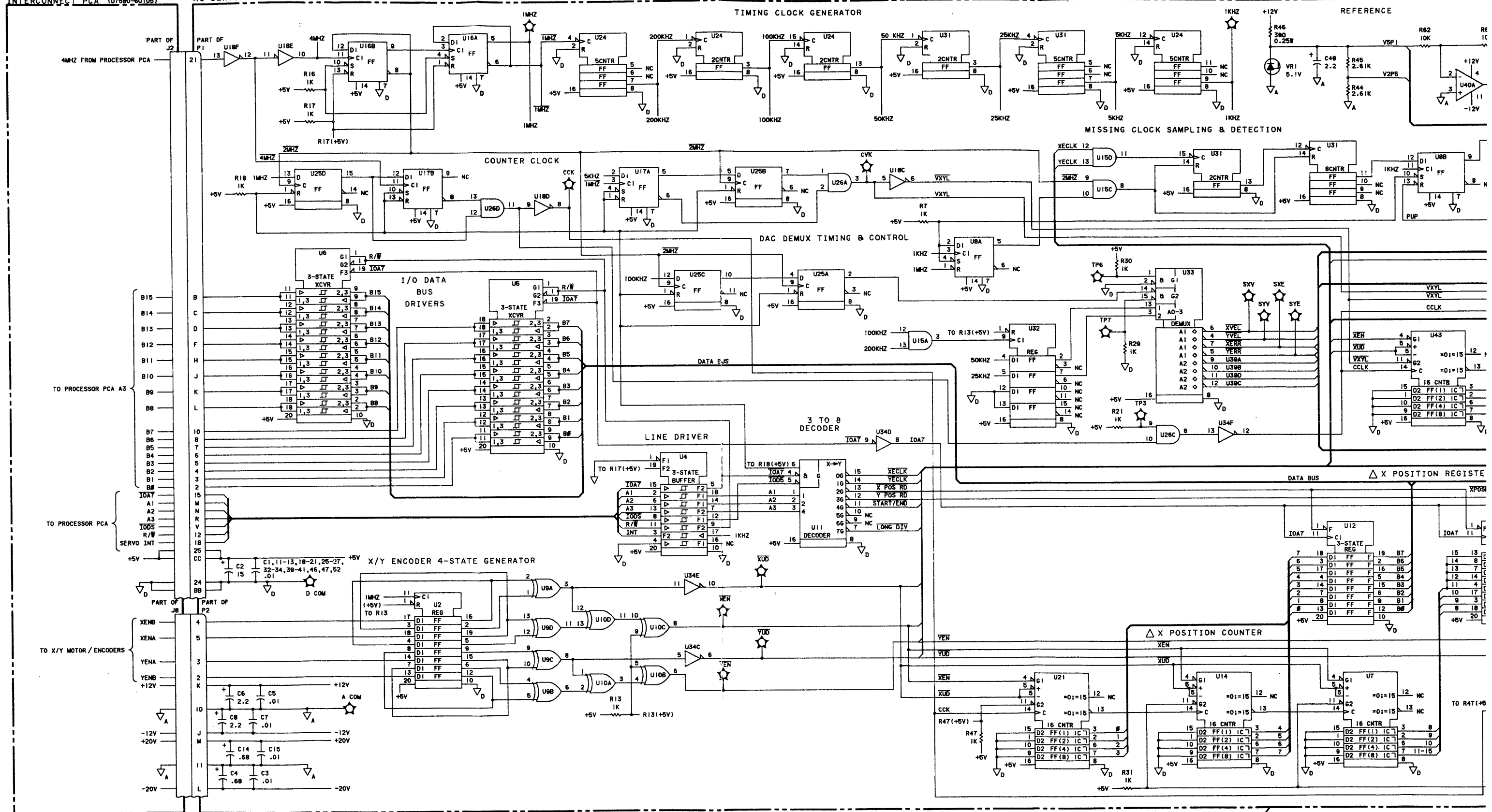
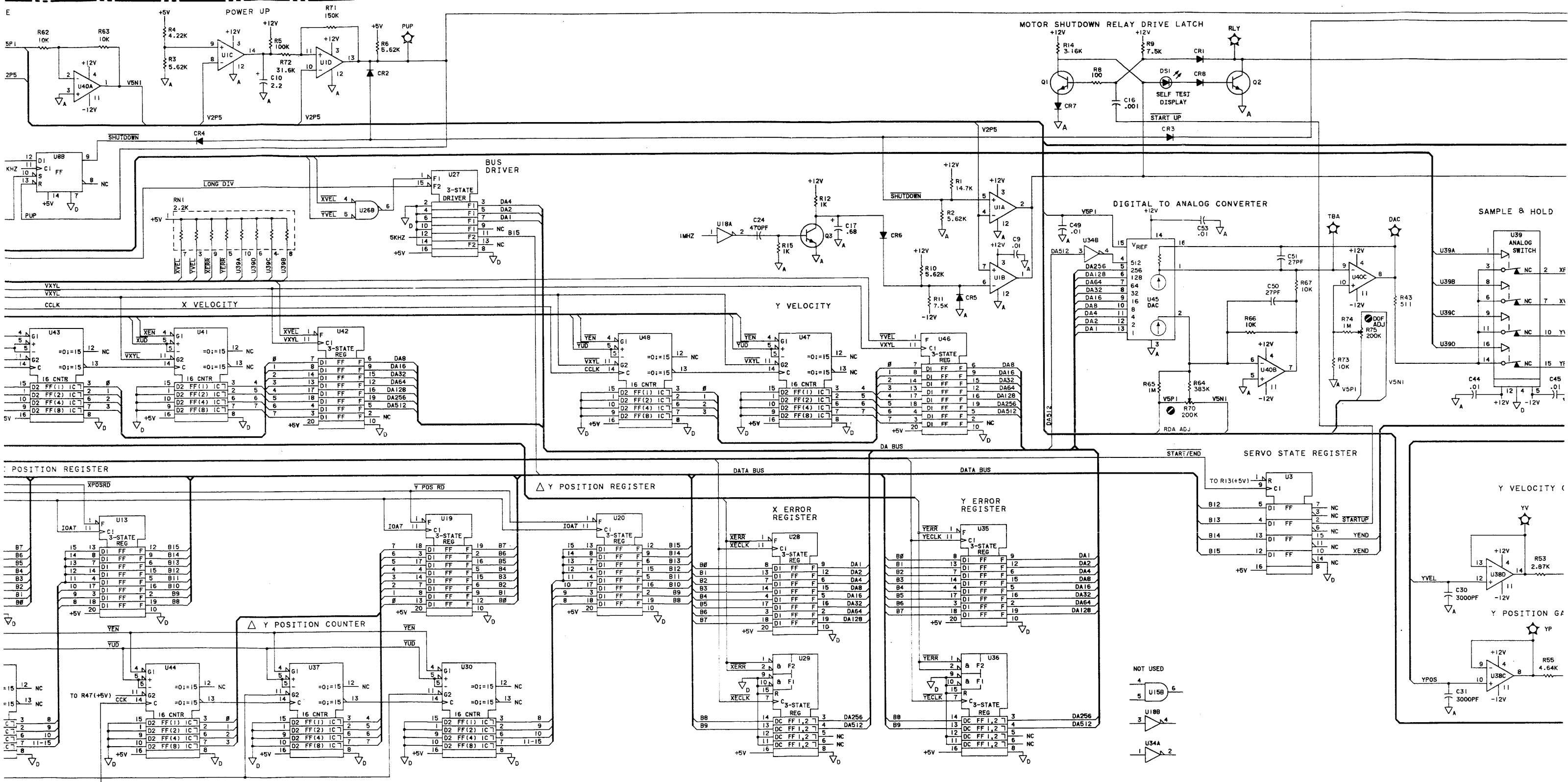


Figure 6-25. X- and Y-Axis Servo PCA A6, Component Identification Diagram

6-57/58A



6-57/58B



6-57/58C