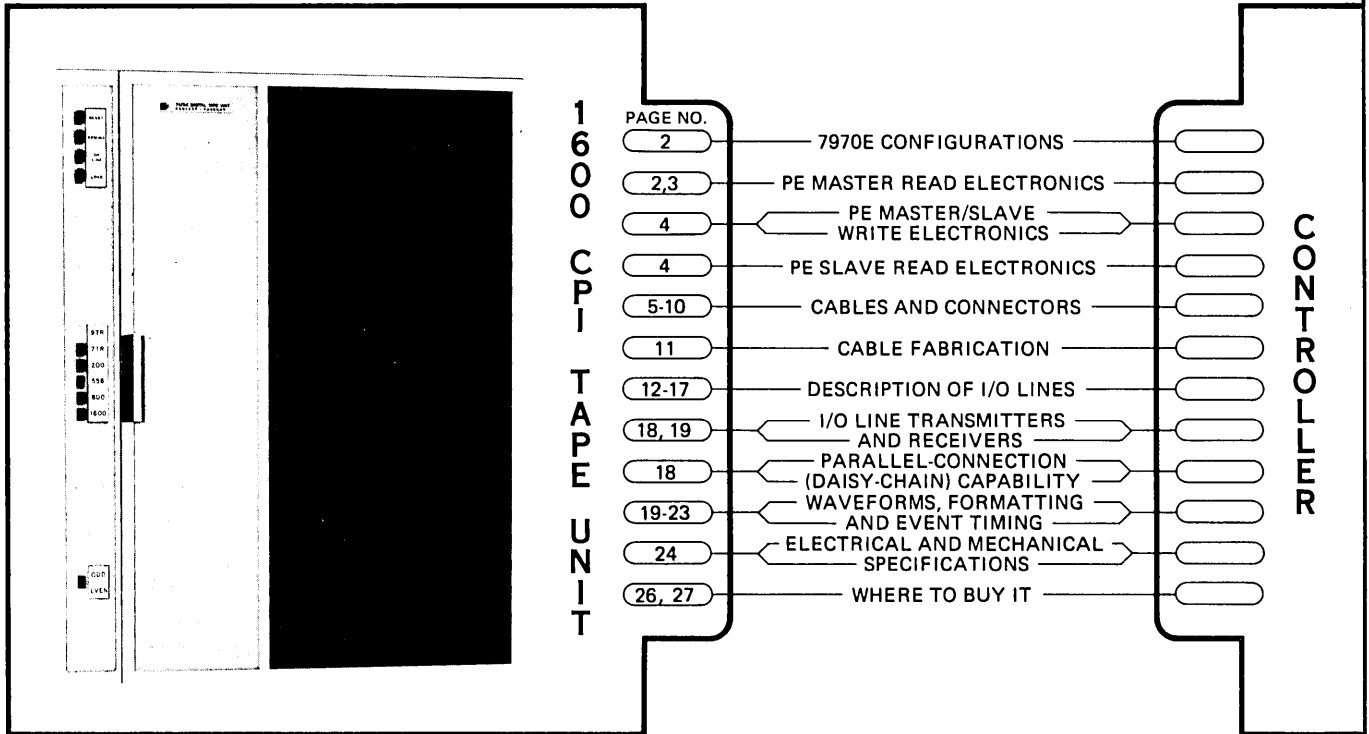




DATA SYSTEM PERIPHERALS

MODEL 7970E DIGITAL MAGNETIC TAPE UNIT INTERFACE GUIDE

MAY 1971



The Mountain View Division of Hewlett-Packard Company is now offering the 7970E Digital Magnetic Tape Unit with 1600 CPI Phase-Encoded capability in various configurations in speeds up to 45 ips.

Phase-Encoded capability enables the user to provide systems that are compatible with the 1600 CPI industry-standard recording format. In addition, increased data transfer rates are possible at present speeds, increasing throughput as compared to systems utilizing NRZI tape units.

The modularity of the 7970E construction provides the benefits of supplying phase-encoded units in a variety of configurations, including Read-After-Write, Read-Only, and special applications of Read/Read systems.

This interface guide provides the information for interfacing the 7970E Master and Slave Phase-Encoded tape transport and data electronics. The content of the document is directed toward the interface design engineer and system programmer and permits interface and controller design considerations prior to receipt of equipment.

In addition to this Interface Guide, Hewlett-Packard application engineering assistance is available.

We have been supplying digital magnetic units to OEM customers since 1961. These units and the new 7970 series are supported by a worldwide sales and service organization.

1. HP MODEL 7970E MAGNETIC TAPE UNIT (MTU)

The HP Model 7970E Magnetic Tape Unit features 1600 CPI phase-encoded (PE) data capability at speed ranges of 10 to 45 ips. The 7970E is available as a master unit, as a slave unit, or in master/slave-unit combinations using the inherent parallel-connection (daisy-chain) capability. (See figures 1 thru 3.) The master unit contains the following phase-encoded read data functions (figure 4):

Identification Burst (IDB) Detection

Detect and Strip Preamble/Postamble

Tape Mark (TM) Detection

Read Deskewing

Detect Multiple Track Error (MTE)

Single Track Error Correction (STE)

Enc-Of-Block Detection (EOB)

1600 CPI Density Status (SD16)

The master/slave unit write data electronics contains the data channel write driver and control circuits, and requires input data and Write Clock as inputs. (See figure 5.) If you want to design your own PE read data electronics, the slave unit configuration is available; it includes only read preamplifiers and detection circuits, and write data electronics similar to the master unit. (See figure 6.)

There are three basic configurations of the 7970E (plus options for special requirements):

a. READ-AFTER-WRITE (9-Track PE Read-After-Write). Both master and slave units contain the same write and command-and-status electronics. (See figure 1.) All formatting and parity generation of the write data must be accomplished in the controller. (Optional write formatting is available.) Complete PE read data electronics is contained only in the master unit. Slave unit read capability is accomplished through the master read electronics for multi-unit parallel-connection operations.

b. READ-ONLY (9-Track PE Read-Only). Both master and slave units contain the same command-and-status electronics. (See figure 2.) Complete PE read data electronics is

contained only in the master unit. Slave unit read capability is accomplished through the master read electronics for multi-unit parallel-connection operations.

c. READ/READ

(1) **Read/Read 9-Track PE/NRZI (Figure 3a).** Both master and slave units contain the same command-and-status and NRZI read electronics. Complete PE read data electronics is contained only in the master unit. The PE and NRZI controller interfaces may be used as separate connectors (figure 7), or in parallel from the PE connector when the parity option is used (figure 3a). This is accomplished by the daisy-chain method shown in figure 3a. Slave unit read capability is accomplished through the master unit for multi-unit parallel-connection operations. A constant transfer rate option is available in this configuration if a constant data transfer rate between PE and NRZI is required. Density selection is front-panel selectable.

(2) **Read/Read/Read 7/9-Track PE/NRZI (Figure 3b).** Both master and slave units contain the same command-and-status and 7/9T NRZI read electronics. Complete PE read data is in the master unit only. The slave unit PE read capability is accomplished through the master read electronics for multi-unit parallel-connection operations. The PE and NRZI controller interfaces may be used as separate connectors (figure 7), or in parallel from the PE connector when the parity option is used (figure 3b). This is accomplished by the daisy-chain method shown in figure 3b. Complete 7- and 9-track PE/NRZI read/read/read capabilities are contained in a single unit. A constant transfer rate option is available in this configuration if a constant data transfer rate between PE and NRZI is required. Density selection is front-panel selectable.

2. PE MASTER READ DATA ELECTRONICS

Preamplification and detection are provided in both the master and slave units. The PE read data electronics is provided only in the master unit. (See figure 4.) The Read Control monitors and directs the functions of data decoding, deskewing, error correction (ECR), and output buffering (OR). The PE read data electronics provides nine data lines, a Read Clock per PE tape byte, and block status signals to the controller interface.

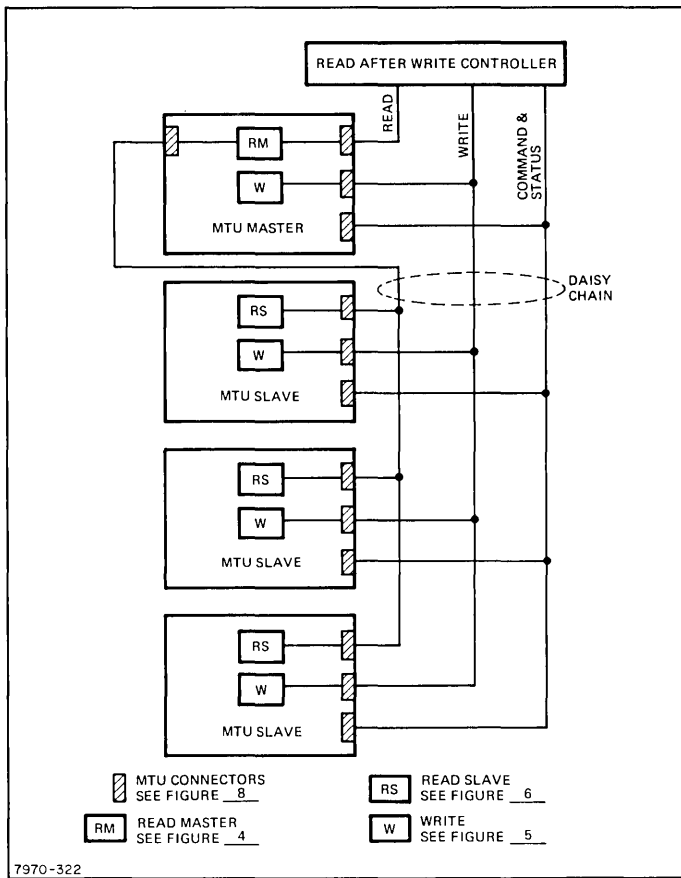


Figure 1. Read-After-Write 1600 CPI Phase-Encode Configuration

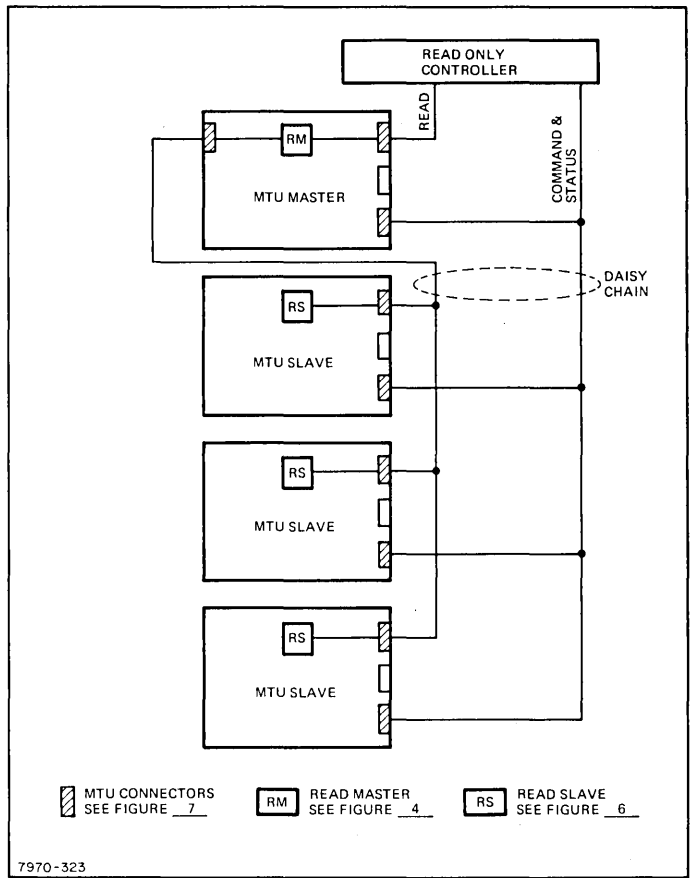


Figure 2. Read-Only 1600 CPI Phase-Encode Configuration

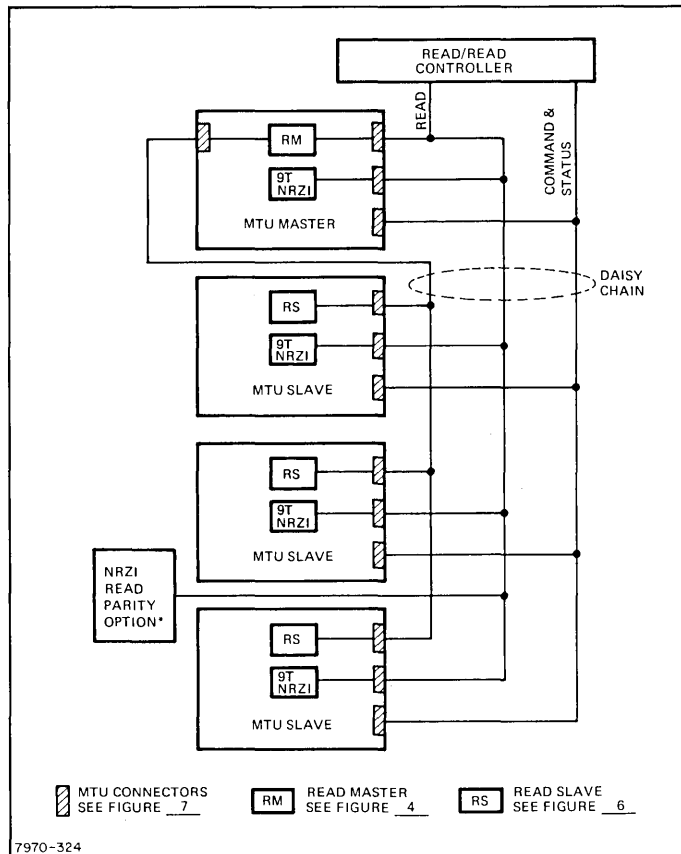


Figure 3a. Read/Read 9-Track PE/NRZI Configuration

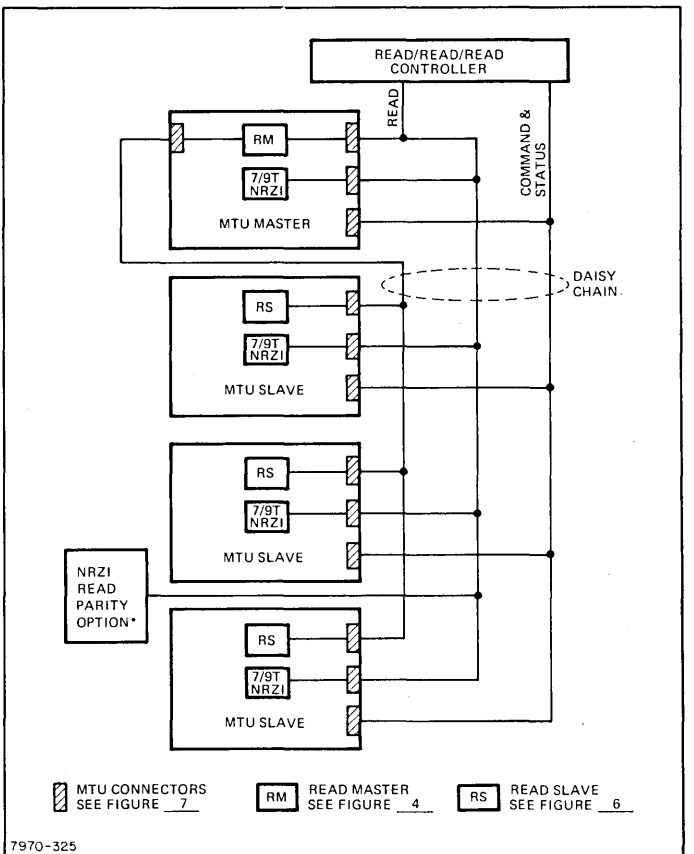


Figure 3b. Read/Read/Read 7/9-Track PE/NRZI Configuration

*Described in the NRZI Read Parity Option Interface Guide.

3. PE MASTER/SLAVE WRITE DATA ELECTRONICS

The write data electronics is the same in both master and slave units. (See figure 5.) Nine data lines and a Write Clock are required to operate the write data electronics. In general, two Write Clocks per PE tape byte are required.

4. PE SLAVE READ ELECTRONICS

Preamplification and detection are provided in the slave unit, as shown in figure 6. The data zero crossing and amplitude comparison, along with the slave status signals, are available at the slave read interface connector.

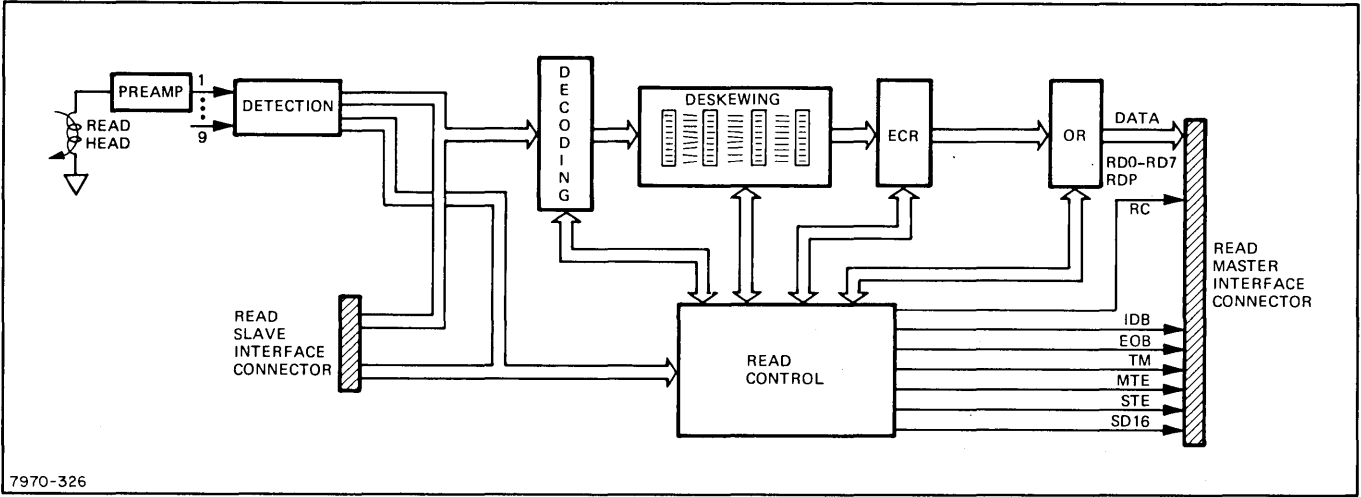


Figure 4. Master MTU 1600 CPI Read Data Electronics

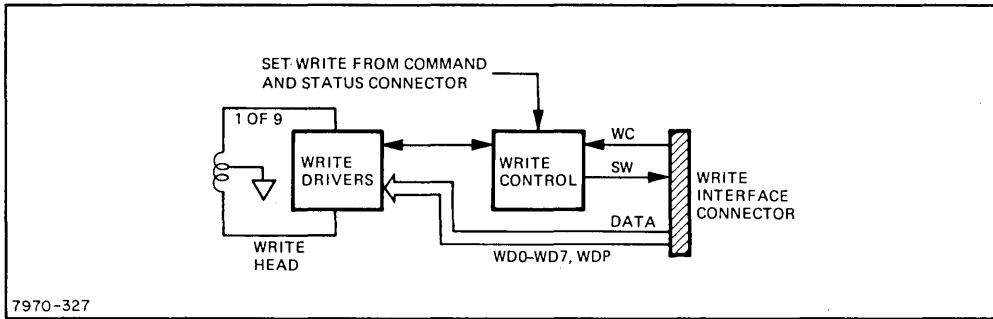


Figure 5. Master/Slave MTU 1600 CPI Write Data Electronics

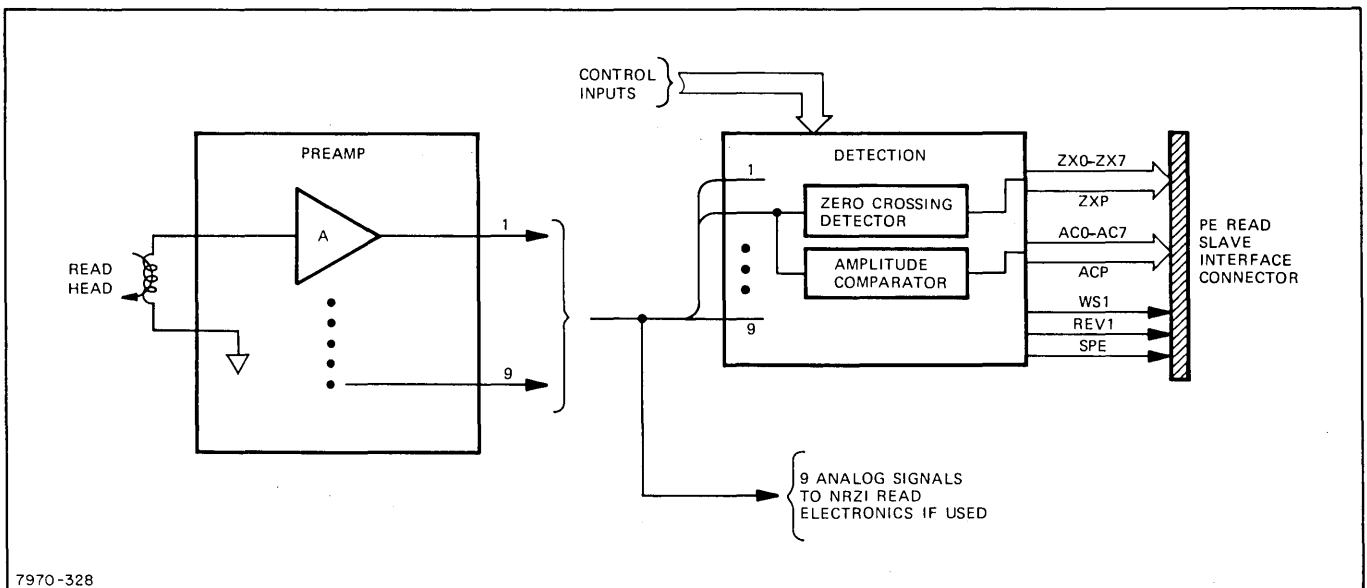


Figure 6. Slave MTU 1600 CPI Read Electronics

5. CABLES AND CONNECTORS

Interface mating connectors are supplied with the HP Model 7970E Magnetic Tape Unit. Each connector is specifically associated with one function (see figures 7 and 8):

- a. Command-and-Status
- b. Write Data
- c. Read Data
- d. Read Slave

The male portions of these connectors are presented to the interface cables, via supplied mating connectors, as etched tongue sections of printed-circuit boards. These boards are located within the rear section of the tape unit.

The female mating connectors supplied have a 48-pin (24 active line) capability. (See figure 9.) These mating connectors are intended to be directly connected to the user's interfacing cables. Strain-relief hardware also is provided. Tables 1 thru 5 list the schedule of pin assignments and line names. The lines are described in tables 6 thru 9.



The suggested maximum cable length is 20 feet from connector pin to connector pin. The interface cable should employ one set of twisted pairs for each I/O line function, with one of the pair being used for the active I/O line and the other being used for terminal grounding at both ends of the cable to reduce the magnitude of intercable crosstalk. Unless otherwise specified, all wires should be 26 AWG, minimum, with not less than one twist per inch, and with a minimum insulation thickness of 0.01 inch.

Table 1. Command-and-Status Connector*

ACTIVE PIN	GROUND PIN	SIGNAL NAME	MNEMONIC
1X (A)	1	ON-LINE STATUS	SL
2X (B)	2	LOAD POINT STATUS	SLP
3X (C)	3	REWIND STATUS	SRW
4X (D)	4	END-OF-TAPE STATUS	SET
5X (E)	5	READY STATUS	SR
6X (F)	6	FILE PROTECT STATUS	SFP
7X (H)	7	DENSITY 800 STATUS	SD8
8X (J)	8	DENSITY 556 STATUS	SD5
9X (K)	9	DENSITY 200 STATUS	SD2
10X (L)	10	SELECT UNIT 3	CS3
11X (M)	11	SELECT UNIT 2	CS2
12X (N)	12	SELECT UNIT 1	CS1
13X (P)	13	SELECT UNIT 0	CS0
14X (R)	14	REWIND COMMAND	CRW
15X (S)	15	OFF-LINE COMMAND	CL
16X (T)	16	FORWARD COMMAND	CF
17X (U)	17	REVERSE COMMAND	CR
18X (V)	18	HIGH SPEED COMMAND	CH
19X (W)	19	SET WRITE COMMAND	WSW
20X (X)	20	Reserved for Options and Spares	-----
through	through	↑ ↓	-----
24X (BB)	24	Reserved for Options and Spares	-----

*Same for all configurations.

Table 2. Write Data Connector*

ACTIVE PIN	GROUND PIN	SIGNAL NAME	MNEMONICS
1X (A)	1	Reserved for Options	----
2X (B)	2		----
3X (C)	3		----
4X (D)	4		----
5X (E)	5		Reserved for Options
6X (F)	6	WRITE STATUS	SW
7X (H)	7	Reserved for Options	----
8X (J)	8	WRITE CLOCK	WC
IBM DESIGNATIONS			
9 TRACK			9 TRACK
9X (K)	9	WRITE DATA P	WDP
10X (L)	10	WRITE DATA 0	WD0
11X (M)	11	WRITE DATA 1	WD1
12X (N)	12	WRITE DATA 2	WD2
13X (P)	13	WRITE DATA 3	WD3
14X (R)	14	WRITE DATA 4	WD4
15X (S)	15	WRITE DATA 5	WD5
16X (T)	16	WRITE DATA 6	WD6
17X (U)	17	WRITE DATA 7	WD7
18X (V)	18	Reserved for Options and Spares	----
through	through		----
24X (BB)	24		Reserved for Options and Spares

*Used only in PE Read-After-Write.

Table 3. PE Master Read Data Connector


ACTIVE PIN	GROUND PIN	SIGNAL NAME	MNEMONICS
1X (A)	1	Reserved for Options and Spares  Reserved for Options and Spares
2X (B)	2	
3X (C)	3	
4X (D)	4	
5X (E)	5	
6X (F)	6	
7X (H)	7	
8X (J)	8		READ CLOCK
IBM DESIGNATIONS			
9 TRACK			9 TRACK
9X (K)	9	READ DATA P	RDP
10X (L)	10	READ DATA 0	RD0
11X (M)	11	READ DATA 1	RD1
12X (N)	12	READ DATA 2	RD2
13X (P)	13	READ DATA 3	RD3
14X (R)	14	READ DATA 4	RD4
15X (S)	15	READ DATA 5	RD5
16X (T)	16	READ DATA 6	RD6
17X (U)	17	READ DATA 7	RD7
18X (V)	18	PE STATUS	SD16
19X (W)	19	Reserved for Options and Spares
20X (X)	20	ERROR	MTE
21X (Y)	21	TAPE MARK	TM
22X (Z)	22	ERROR	STE
23X (AA)	23	ID BURST	IDB
24X (BB)	24	END-OF-BLOCK	EOB

Table 4. NRZI Read Data Connector

ACTIVE PIN	GROUND PIN	SIGNAL NAME		MNEMONICS	
1X (A)	1	Reserved for Options and Spares		----	
2X (B)	2	↑		----	
3X (C)	3	↓		----	
4X (D)	4	Reserved for Options and Spares		----	
5X (E)	5	STATUS SEVEN TRACK		S7T	
6X (F)	6	Reserved for Options and Spares		----	
7X (H)	7	Reserved for Options and Spares		----	
8X (J)	8	READ CLOCK		RC	
IBM DESIGNATIONS					
		9 TRACK	7 TRACK	9 TRACK	7 TRACK
9X (K)	9	READ DATA P	READ DATA C	RDP	RDC
10X (L)	10	READ DATA 0	-----	RD0	----
11X (M)	11	READ DATA 1	-----	RD1	----
12X (N)	12	READ DATA 2	READ DATA B	RD2	RDB
13X (P)	13	READ DATA 3	READ DATA A	RD3	RDA
14X (R)	14	READ DATA 4	READ DATA 8	RD4	RD8
15X (S)	15	READ DATA 5	READ DATA 4	RD5	RD4
16X (T)	16	READ DATA 6	READ DATA 2	RD6	RD2
17X (U)	17	READ DATA 7	READ DATA 1	RD7	RD1
18X (V)	18	Reserved for Options and Spares		----	
through	through	↑			
24X (BB)	24	Reserved for Options and Spares		----	

Table 4. Slave Read Data Connector*

ACTIVE PIN	GROUND PIN	SIGNAL NAME	MNEMONICS
1X (A)	1	ZERO CROSSING DATA	ZXP
2X (B)	↑	AMPLITUDE COMPARATOR DATA	ACP
3X	↑	↑	ZX0
4X	↑	↑	AC0
5X	↑	↑	ZX1
6X	↑	↑	AC1
7X	↑	↑	ZX2
8X	↑	↑	AC2
9X	↑	↑	ZX3
10X	↑	↑	AC3
11X	↑	↑	ZX4
12X	↑	↑	AC4
13X	↑	↑	ZX5
14X	↑	↑	AC5
15X	↑	↑	ZX6
16X	↑	↓	AC6
17X	↑	ZERO CROSSING DATA	ZX7
18X	↑	AMPLITUDE COMPARATOR DATA	AC7
19X	↑	Reserved for Options and Spares	----
20X	↓	Reserved for Options and Spares	----
21X (Y)	↓	Reserved for Options and Spares	----
22X (Z)	↓	WRITE STATUS	WS1
23X (AA)	↓	REVERSE	REV1
24X (BB)	24	PHASE-ENCODE STATUS	SPE

*These signals may be considered as internal signals if a master MTU is included in the configuration. They are here only for those who are designing their own 1600 CPI read data electronics and do not plan to use the 7970E master MTU.

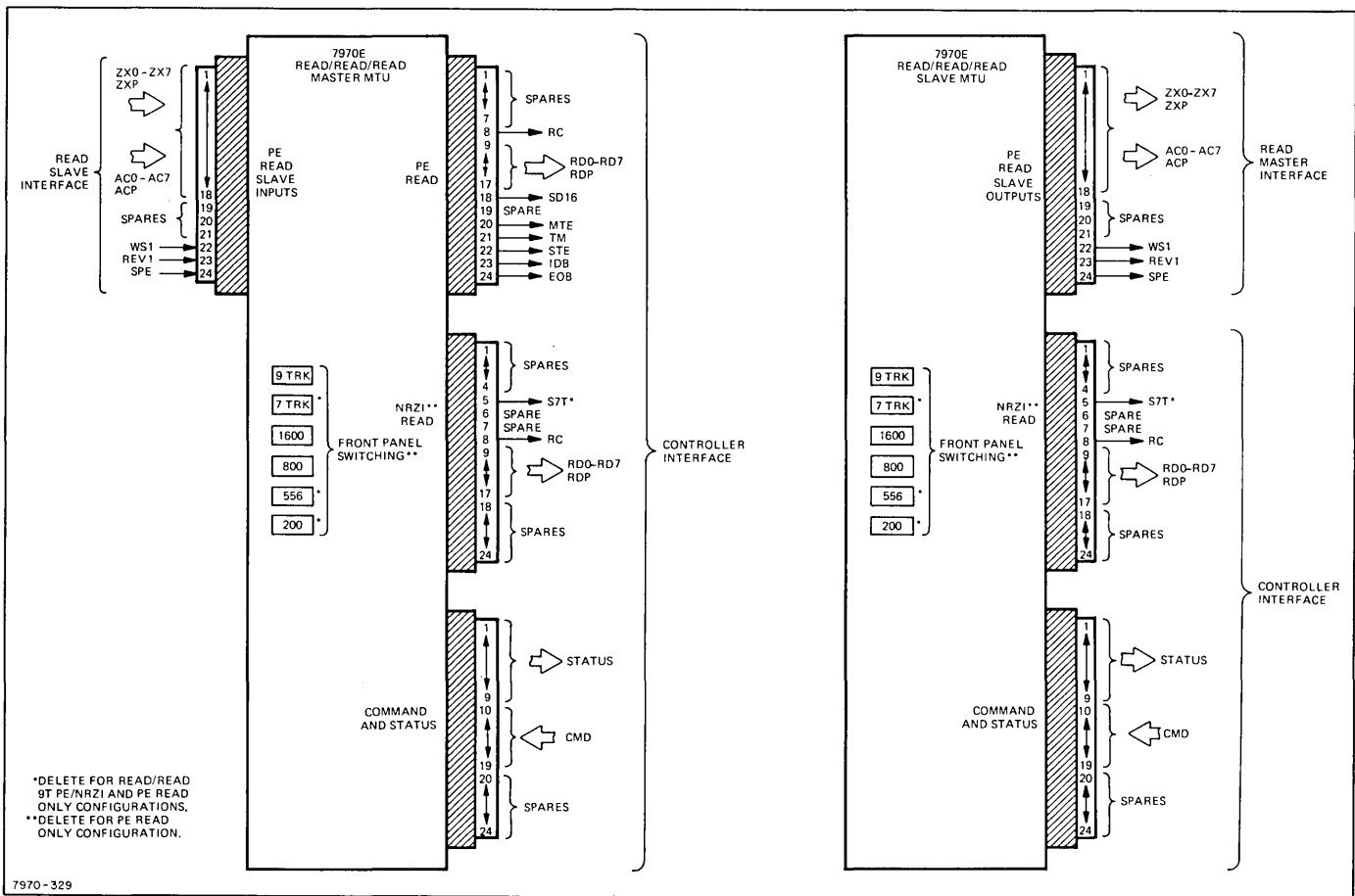


Figure 7. Read/Read/Read Configuration, Showing Connections

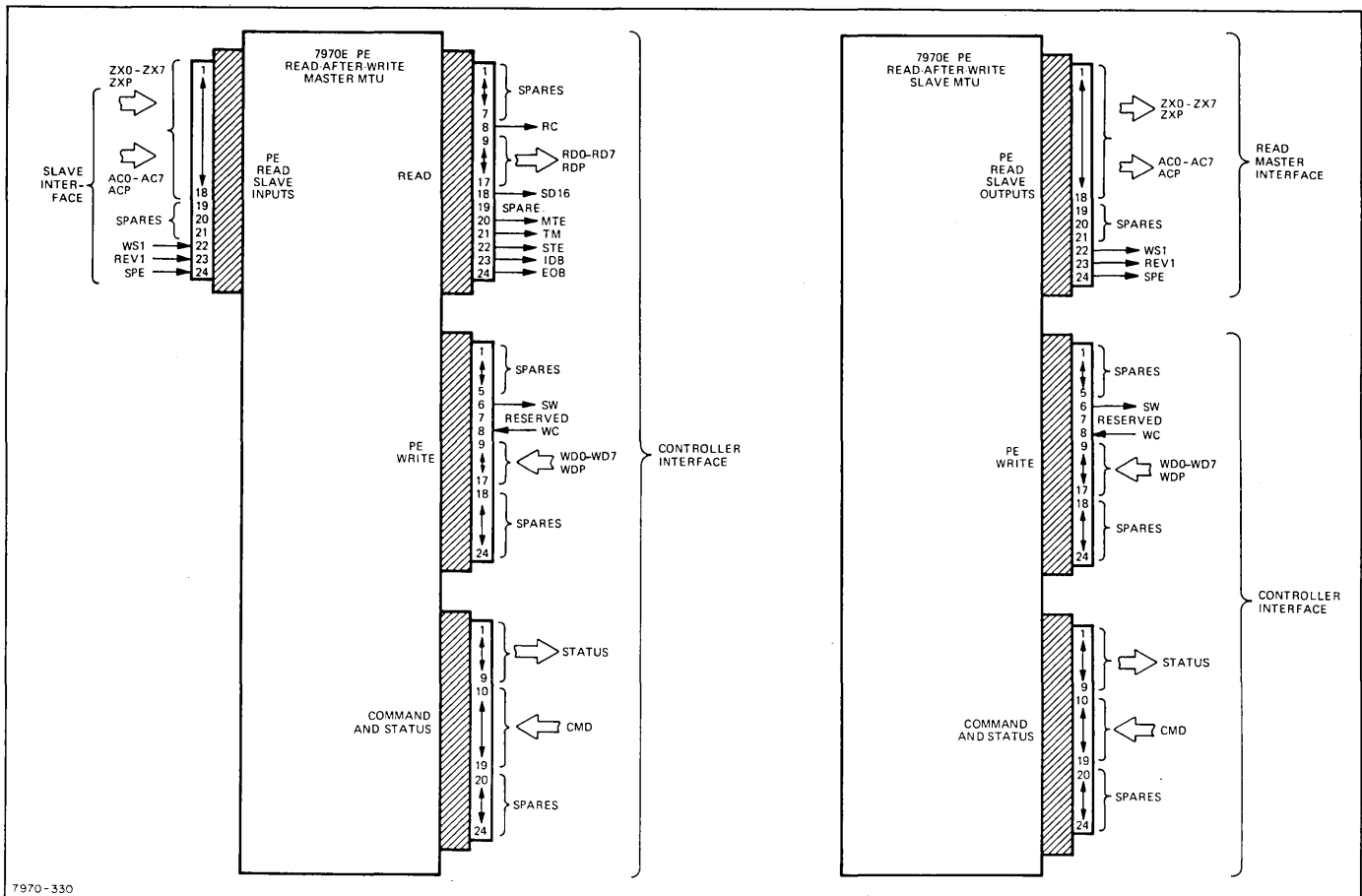


Figure 8. Read-After-Write 1600 CPI PE Configuration, Showing Connections

Table 6. Interconnect Cable Fabrication

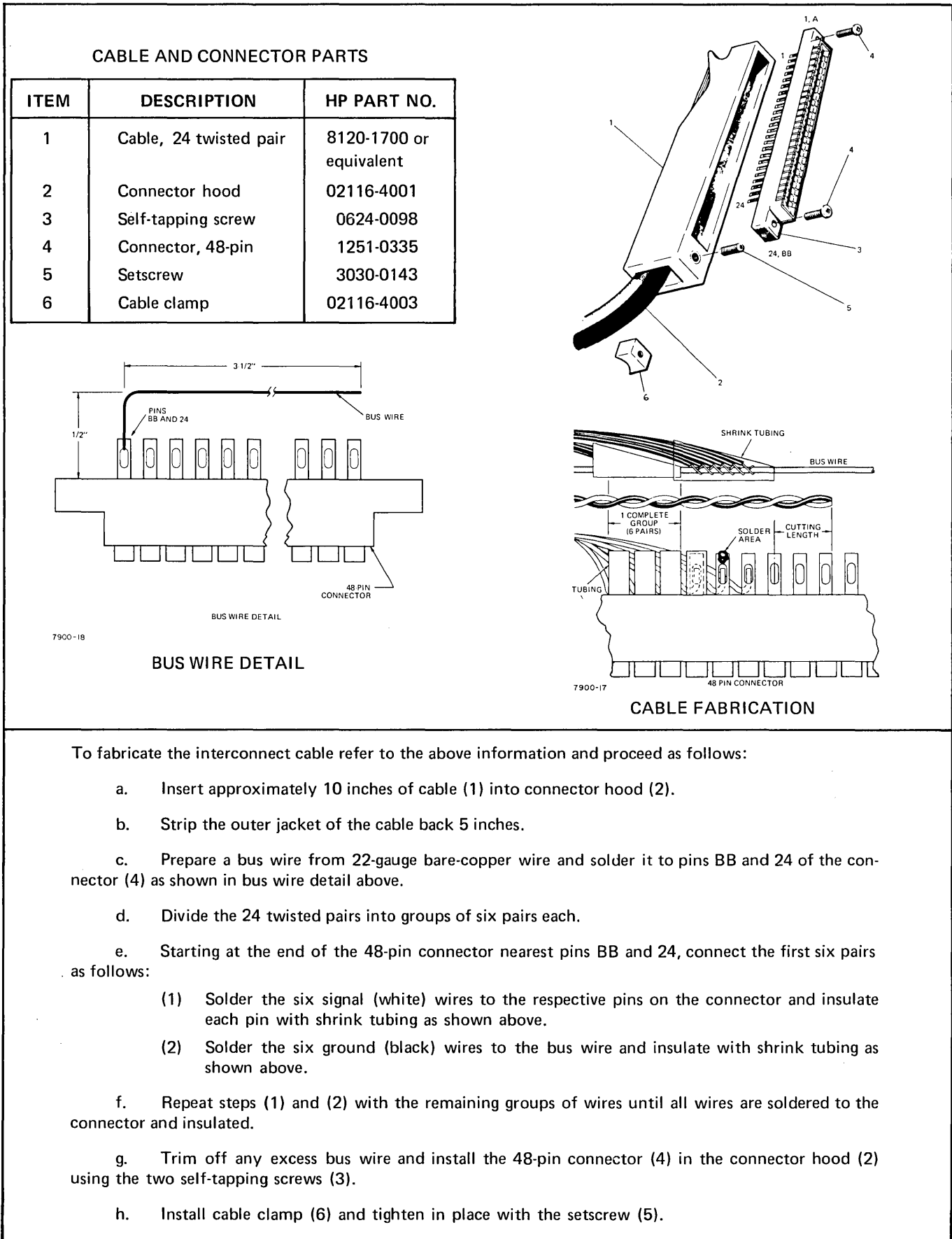


Figure 9. Interconnection Cable Fabrication

Table 6. Detailed Description of I/O Lines, Command-and-Status Connector

I/O LINE	DESCRIPTION	SIGNAL TYPE	SIGNAL DIRECTION
STATUS			
a. ON-LINE (SL = STATUS ON-LINE)	Acknowledges that the selected tape unit has been manually placed in an on-line condition.	Level	Output from tape unit
b. READY (SR = STATUS READY)	Indicates that the tape unit is selected, is on-line, the initial loading sequence is complete, and the tape unit is not rewinding.	Level	Output from tape unit
c. LOAD POINT (SLP = STATUS LOAD POINT)	Indicates that the tape unit is selected, is on-line, and the tape is positioned at the load-point reflective strip.	Level	Output from tape unit
d. DENSITY STATUS* (SD = STATUS DENSITY) NOTE: Three individual lines: SD2, SD5, and SD8.	Indicates the manual setting of a tape unit density switch: 200, 556, 800 CPI. Only one density at a time can be asserted from a selected and on-line tape unit.	Level	Output from tape unit
e. REWIND (SRW = REWIND STATUS)	Indicates that the selected and on-line tape unit is engaged in a rewind operation. This status remains true until the tape is positioned at the load-point reflective strip.	Level	Output from tape unit
f. FILE PROTECT (SFP = STATUS FILE PROTECT)	Indicates that the selected and on-line tape unit is not write enabled (write ring is not present in the file reel).	Level	Output from tape unit
g. END-OF-TAPE (SET = STATUS END-OF-TAPE)	Indicates that an end-of-tape reflective strip has passed under the photosense head of a selected and on-line tape unit. Assertion is maintained until cancellation of the end-of-tape condition by the passage of the reflective strip in the reverse direction.	Level	Output from tape unit
FUNCTION COMMANDS			
a. SELECT (CS = COMMAND SELECT) NOTE: Four individual lines for units 0, 1, 2, and 3.	Selects a particular on-line tape unit from a group connected to a common interface cable.	Level	Input to tape unit

*These Density Status lines are for the 7970E Read/Read Configurations.

Table 6. Detailed Description of I/O Lines, Command-and-Status Connector (Continued)

I/O LINE	DESCRIPTION	SIGNAL TYPE	SIGNAL DIRECTION
<p>FUNCTION COMMANDS (Cont)</p> <p>b. OFF-LINE (CL = COMMAND OFF-LINE)</p>	<p>Assertion of this line clears the write condition and terminates the on-line condition of the selected tape unit. Assertion should be maintained until acknowledged by the negation of the on-line status.</p>	Level	Input to tape unit
<p>c. SET WRITE (WSW = WRITE SET WRITE)</p>	<p>The assertion of CF causes the WSW line to be sampled.</p> <p>Assertion of the WSW line enables the setting of the selected and on-line tape unit's write condition, provided the tape unit is ready and enabled.</p> <p>Negation of the WSW line enables the clearing of the tape unit's write condition.</p>	Level	Input to tape unit
<p>MOTION COMMANDS</p> <p>a. FORWARD (CF = COMMAND FORWARD)</p>	<p>Providing the tape unit is selected, and ready, this command causes tape to be driven in the forward direction.</p>	Level	Input to tape unit
<p>b. REVERSE (CR = COMMAND REVERSE)</p>	<p>When asserted, clears the write condition and causes the tape to be driven in the reverse direction, provided that the tape unit is selected, and ready. Load-Point Status inhibits the response to this command.</p>		Input to tape unit
<p>c. REWIND (CRW = COMMAND REWIND)</p>	<p>Clears the write condition of the selected tape unit and initiates a rewind operation, provided that the tape unit is ready, and not at load point. Tape is positioned at load point at the end of this operation. Assertion should be maintained until acknowledged by Rewind Status (minimum 2 μs).</p>	Level	Input to tape unit
<p>d. HIGH SPEED (CH = COMMAND HIGH SPEED)</p>	<p>When asserted with forward or reverse on a selected and ready tape unit, will cause tape speed to accelerate to 160 ips.</p>	Level	Input to tape unit

Table 7. Detailed Description of I/O Lines, Write Data Connector*

I/O LINE	DESCRIPTION	SIGNAL TYPE	SIGNAL DIRECTION
<p>STATUS</p> <p>a. WRITE STATUS (SW = STATUS WRITE)</p>	<p>Indicates that the selected tape unit is write enabled and current is flowing in the write and erase heads. Tape flux shall be of inter-block gap polarity until a Write Clock pulse is received.</p>	<p>Level</p>	<p>Output from tape unit</p>
<p>DATA TRANSMISSION</p> <p>a. WRITE DATA (WD = WRITE DATA)</p> <p>WD0 -- WD7, WDP</p> <p>NOTE: Refer to Write Data connector for channel designation.</p>	<p>The logical state of each Write Data line at Write Clock time defines the polarity of the flux to be written on tape. Assertion enables writing flux of polarity opposite to that of the inter-block gap; negation enables writing inter-block gap flux. The Write Data lines at the transport receivers must be settled for 500 ns prior to and after the received Write Clock pulse edges.</p>	<p>Level</p>	<p>Input to tape unit</p>
<p>b. WRITE CLOCK (WC = WRITE CLOCK)</p> <p>NOTE: In general, two Write Clock pulses are required to generate a PE tape byte. (See figure 13.)</p>	<p>Assertion edge causes flux polarity on tape corresponding to the logical state of the individual Write Data lines.</p>	<p>Pulse</p>	<p>Input to tape unit</p>

*Write and erase condition is controlled via the WSW signal on the motion control connector.

Table 8. Detailed Description of I/O Lines, PE and NRZI Read Data Connectors

I/O LINE	DESCRIPTION	SIGNAL TYPE	SIGNAL DIRECTION
READ DATA TRANSMISSION			
<p>a. STATUS SEVEN TRACK (NRZI only)</p>	<p>Indicates selection of 7-track Read operation.</p>	<p>Level</p>	<p>Output from tape unit</p>
<p>b. READ DATA (RD = READ DATA)</p> <p>RD0 - RD7, RDP</p> <p>NOTE: Refer to Read Data connector for channel designation.</p> <p>(PE and NRZI)</p>	<p>(Any 1 of 9 lines.) These lines transmit detected characters read from the tape and present them to the interface.</p> <p><u>NRZI</u></p> <p>The Read Data lines are settled at the assertion transition time of Read Clock and remain settled until 1 μs, maximum, before the next Read Clock.</p> <p><u>PE</u></p> <p>The logical state of the 9 Read Data transmitters at RC assertion defines a deskewed tape byte. Assertion or negation occurs a minimum of 2 μs prior to RC assertion and is maintained for 500 ns, minimum, following RC negation.</p>	<p>Level</p>	<p>Output from tape unit</p>
<p>c. READ CLOCK (RC = READ CLOCK)</p> <p>(PE and NRZI)</p>	<p>Indicates that a character has been read from tape and is present on the Read Data lines. Assertion time is 2 μs, minimum; 3 μs, maximum. Read Clock is not given for preamble and postamble bytes, nor during Tape Mark and Identification Burst blocks.</p>	<p>Pulse</p>	<p>Output from tape unit</p>
<p>d. PE STATUS (SD16) (PE only)</p>	<p>Originates in the selected tape unit (master or slave). Assertion signifies that the selected tape unit is on-line and can operate on 1600 CPI PE tape. Negation inhibits all transmitters in the common read electronics.</p>	<p>Level</p>	<p>Output from tape unit</p>
<p>e. END-OF-BLOCK (EOB) (PE only)</p>	<p>A pulse of minimum width (2 μs) signaling that a Data Block, TM, or IDB has been read. Assertion occurs 20 bit times following the last detected flux reversal in the block. Flux reversals must be present a minimum of 20 character times to enable EOB generation. Optional jumper inhibits EOB following an IDB.</p>	<p>Pulse</p>	<p>Output from tape unit</p>

Table 8. Detailed Description of I/O Lines, PE and NRZI Read Data Connectors (Continued)

I/O LINE	DESCRIPTION	SIGNAL TYPE	SIGNAL DIRECTION
<p>READ DATA TRANSMISSION (Continued)</p> <p>e. END-OF-BLOCK (Continued)</p>	<p>EOB can be used as a strobe for TM, IDB, MTE, and STE.</p>		
<p>f. TAPE MARK (TM) (PE only)</p>	<p>TM will be true at EOB time if the block was a Tape Mark. Assertion occurs nominally 20 bit times after the start of the Tape Mark block and is maintained for 500 ns, minimum, following the negation edge of EOB.</p>	<p>Level</p>	<p>Output from tape unit</p>
<p>g. IDENTIFICATION BURST (IDB) (PE only)</p>	<p>IDB will be true at EOB time if the block was an Identification Burst block. Assertion occurs nominally 20 bit times after the start of the ID burst and is maintained for 500 ns, minimum, following the negation edge of EOB.</p>	<p>Level</p>	<p>Output from tape unit</p>
<p>h. MULTIPLE TRACK ERROR (MTE) (PE only)</p>	<p>Signal indicates that an uncorrectable error situation was detected and the block must be re-read. Assertion occurs when the error is detected and maintained for 500 ns, minimum, following the negation edge of EOB.</p>	<p>Level</p>	<p>Output from tape unit</p>
<p>i. SINGLE TRACK ERROR (STE) (PE only)</p>	<p>Signal indicates that a single track error condition was detected. Assertion occurs when the error is detected and is maintained for 500 ns, minimum, following the negation edge of EOB. If MTE is not asserted at EOB time, the error condition was correctable and the block need not be re-read.</p>	<p>Level</p>	<p>Output from tape unit</p>

Table 9. Detailed Description of I/O Lines, Slave PE Read Data Connector

I/O LINE	DESCRIPTION	SIGNAL TYPE	SIGNAL DIRECTION
<p>These signals are enabled when the tape unit is selected, on-line, executing FWD or REV motion commands, and conditioned for 1600 CPI tape (false otherwise).</p>			
<p>READ SLAVE TRANSMISSION</p>			
<p>a. ZERO CROSSING DATA (ZX = ZERO CROSSING) ZX0 - ZX7, ZXP</p>	<p>Assertion edge corresponds to a change of tape flux from IBG* polarity (reset flux) to the opposite, when reading tape in the forward mode. Negation edge corresponds to a change of tape flux from non-IBG polarity when reading forward. When reading areas of tape where the density of flux reversals is less than 200 CPI, the logical state of the ZX outputs may fluctuate randomly. Static inter-channel time displacement will be less than 200 μinches equivalent when reading IBM alignment tape.</p>	<p>Level</p>	<p>Output from slave</p>
<p>b. AMPLITUDE COMPARATOR (AC = AMPLITUDE COMPARATOR) AC0 - AC7, ACP</p>	<p>Signal is asserted if the instantaneous analog voltage from the differentiator exceeds the threshold of the bipolar amplitude comparator. Signal is negated when analog voltage is less than this threshold. The acceptance threshold corresponds to 15% of the nominal Read-After-Write 1600 CPI output when not writing. During a Write operation, the threshold is increased to 40%.</p>	<p>Pulse</p>	<p>Output from slave</p>
<p>c. WRITE STATUS (WS1)</p>	<p>Assertion indicates the tape unit has been conditioned to Write, and current is flowing in the write head. This signal is used by the common read electronics as opposed to the SW in the write connector used by the controller interface.</p>	<p>Level</p>	<p>Output from slave</p>
<p>d. REVERSE (REV 1)</p>	<p>Assertion indicates the tape unit is executing a Reverse motion command.</p>	<p>Level</p>	<p>Output from slave</p>
<p>e. PHASE-ENCODE STATUS (SPE)</p>	<p>Assertion indicates the tape unit is conditioned to operate on 1600 CPI tape.</p>	<p>Level</p>	<p>Output from slave</p>

*IBG = Inter-Block-Gap

6. I/O LINE TRANSMITTERS AND RECEIVERS

Figures 10 and 11 illustrate the type and electrical parameters of the I/O line transmitters and receivers.

7. PARALLEL-CONNECTION (DAISY-CHAIN) CAPABILITY

The command-and-status, write, and NRZI read interface connector boards are manufactured with parallel connectors.

The PE read interface connector board is parallel only for the slave units. This is because the 7970E PE master/slave configuration includes the PE read data electronics only in the master tape unit. (See figure 1.) The PE master and PE slave read interface connectors are therefore different and not connected in parallel.

The Unit Select address is operator-selectable from the operator control panel -- if the tape unit has the Unit Select option. Otherwise, the Unit Select address is jumper-selectable on the control board.

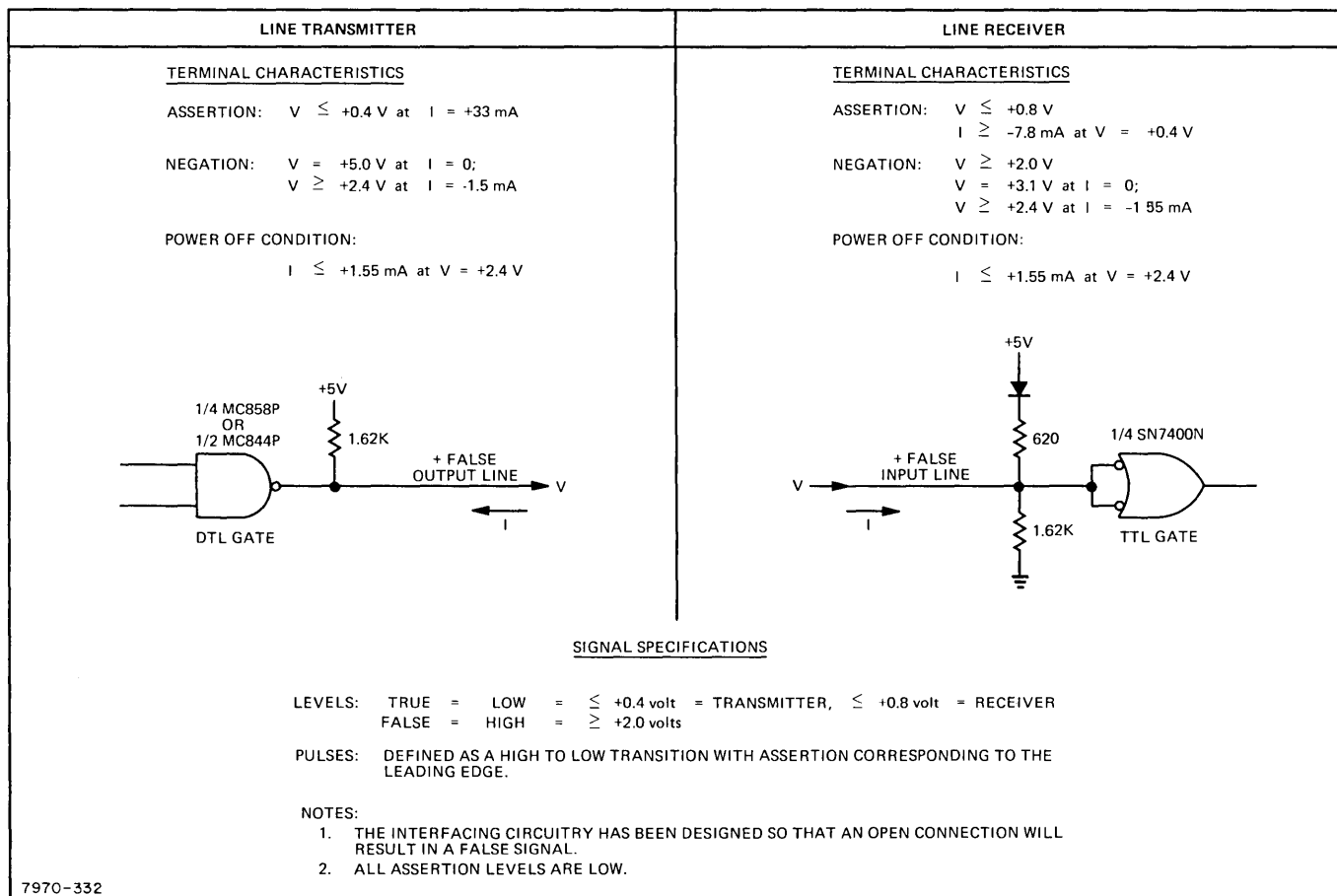


Figure 10. Electrical Parameters of the I/O Line Transmitters and Receivers for all except the PE Read Slave Interface

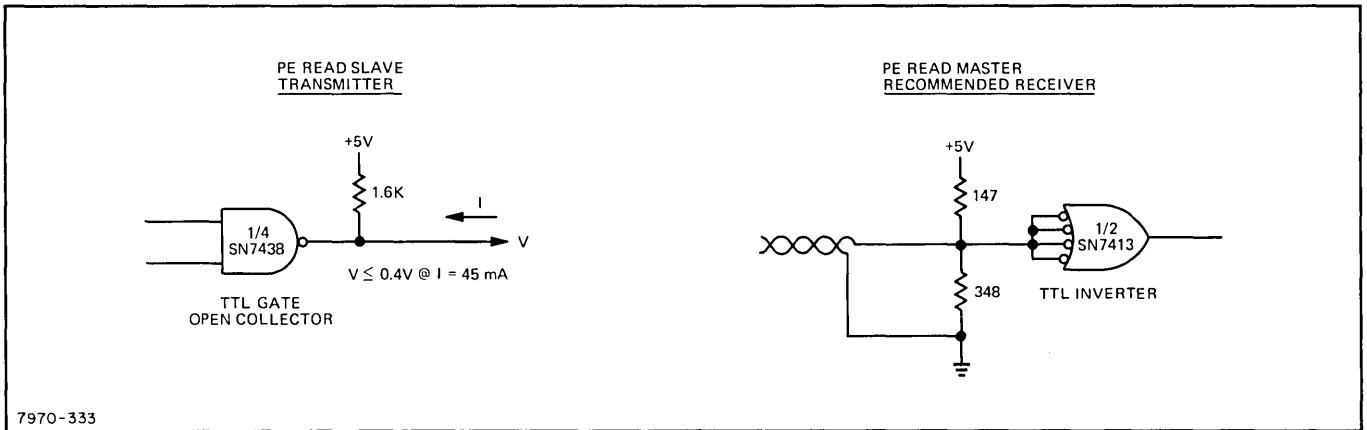


Figure 11. Electrical Parameters of the I/O Line Transmitters for the PE Read Slave Interface

8. WAVEFORMS, FORMATTING, AND EVENT TIMING

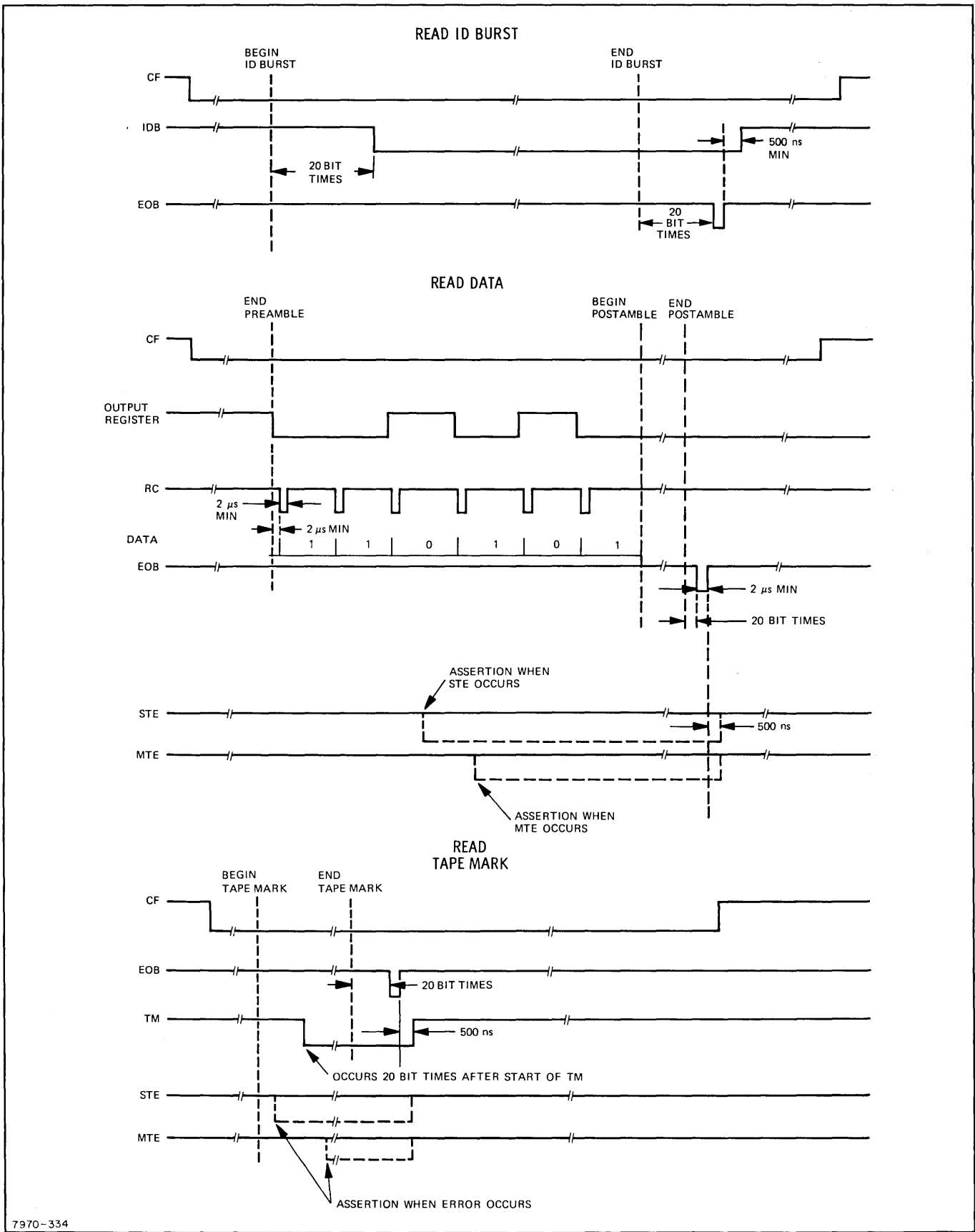
Figures 12 through 16 show the write and read timing for both PE and NRZI. The read-after-write verification time equals the $\frac{\text{head spacing}}{\text{velocity}}$, or approximately 4.0 milliseconds at 37.5 ips.

Figure 17 illustrates the position of the photosense head assembly with respect to the location of the write head in the tape path.

During the rewind function, the load-point reflective strip is first sensed at a tape speed of 160 ips. The leader edge

is first sensed at a tape speed of 160 ips. The leader edge (the edge of the strip first encountered from the physical beginning of the tape) negates the rewind function and initiates the load sequence. The load sequence is performed at a tape speed of 20 ips and is terminated when the leader edge of the load-point reflective strip is detected. Between the termination of rewind and the time tape motion ceases, approximately 4 feet of tape is traversed.

The End-of-Tape Status level is generated and remembered by the tape unit. When the end-of-tape reflective strip is sensed in the forward direction, a flip-flop is set and remains set until the reflective strip is sensed in the reverse direction. At this time, the status will be cleared.



7970-334

Figure 12. Master MTU PE Read Data Waveforms

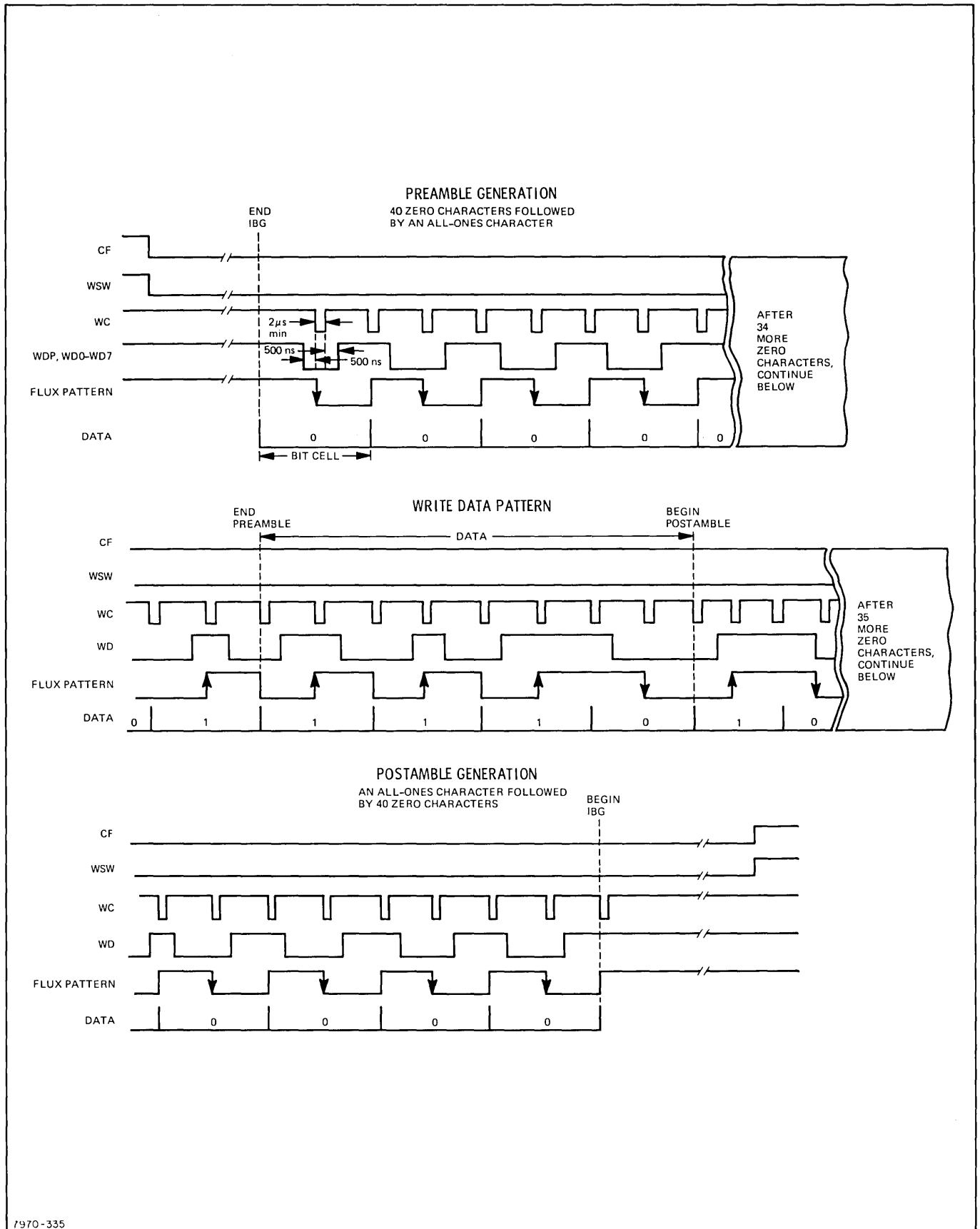


Figure 13. Generation of PE Write Data Waveforms and Preamble/Postamble Formats for the Master/Slave MTU

The Tape Mark is a special control block that consists of 80 flux reversals in tracks 1, 2, 4, 5, 7, and 8. Tracks 3, 6, and 9 are dc erased. The ID burst consists of alternate ones in track 4 and erasure in all other tracks.

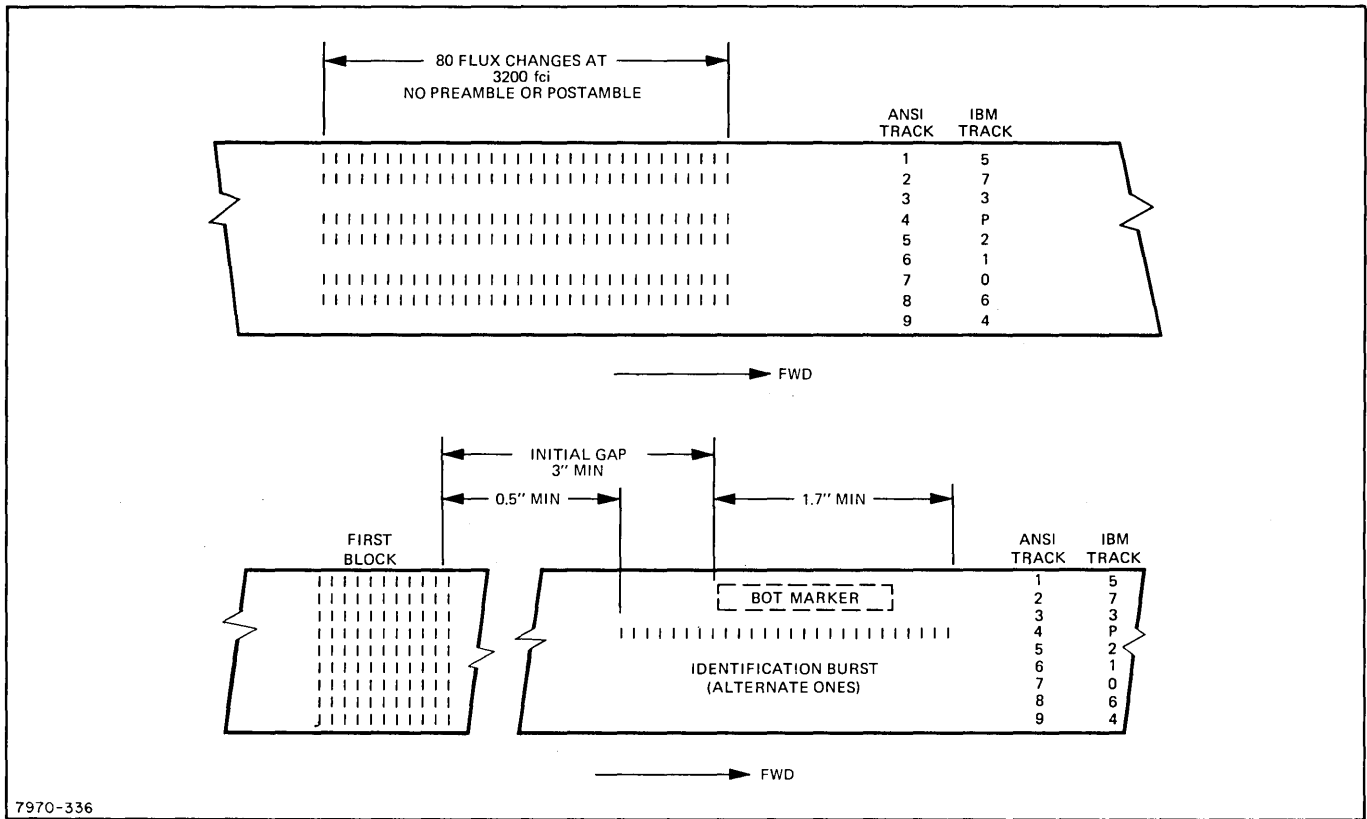


Figure 14. Write Tape Mark and Identification Burst Generation (IBM Compatible)

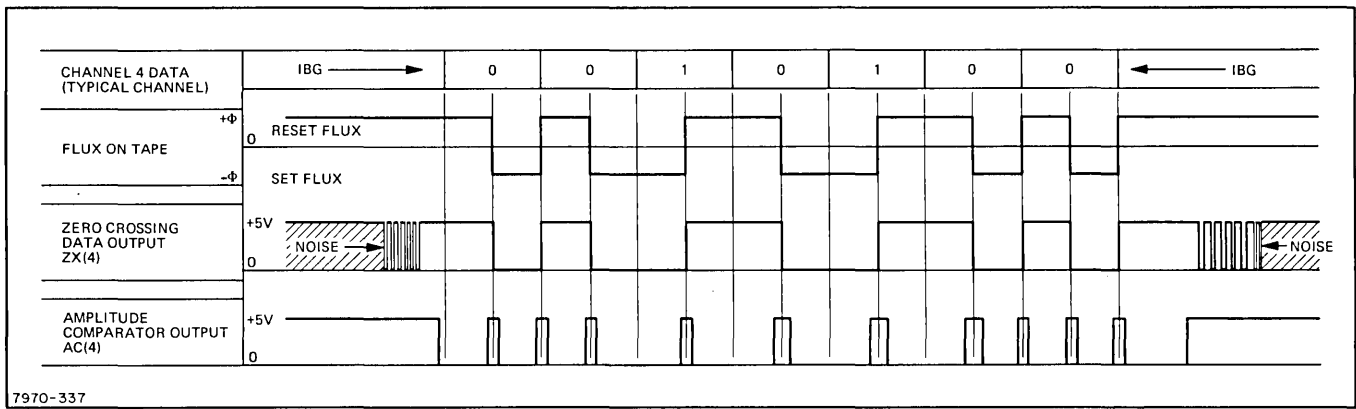


Figure 15. Slave MTU PE Read Data Waveforms

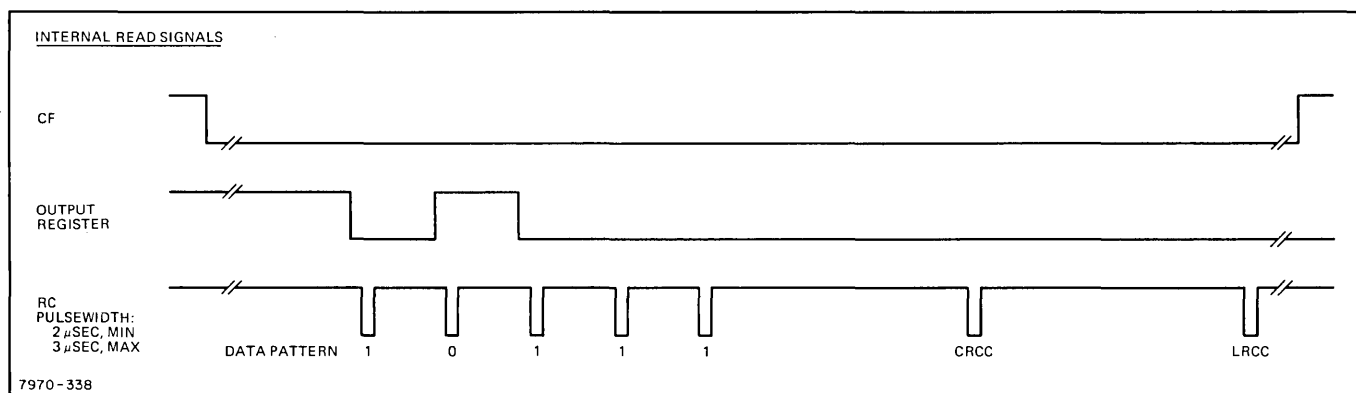


Figure 16. Master/Slave MTU NRZI Read Data Waveforms

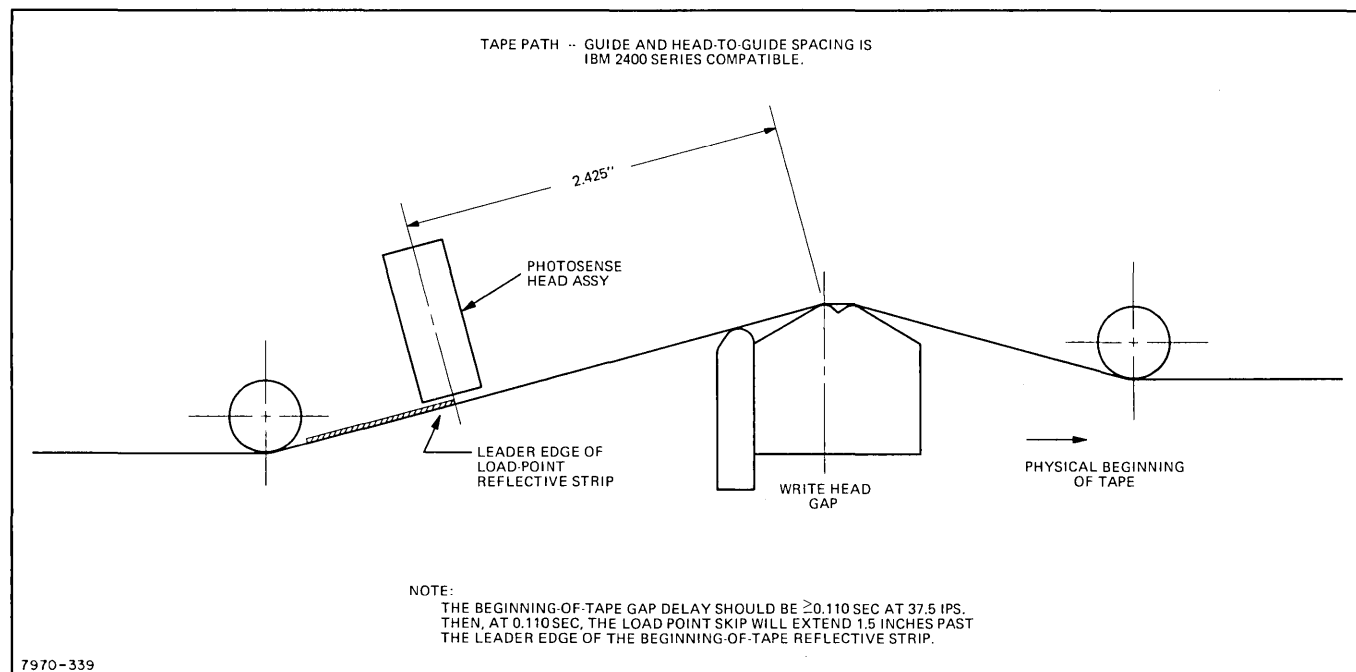


Figure 17. Location of Photosense Head Assembly

9. ELECTRICAL AND MECHANICAL SPECIFICATIONS FOR HP MODEL 7970E

Specifications for the electrical and mechanical characteristics of the 7970E Tape Transport are as follows:

TAPE (Computer Grade):

Width: 0.5"
Thickness: 1.5 mils

TAPE TENSION: 8.5 oz, nominal

REEL DIAMETER: Up to 10-1/2"

TAPE SPEED: 10 to 45 ips

INSTANTANEOUS SPEED VARIATION: $\pm 3\%$

LONG-TERM SPEED VARIATION: $\pm 1\%$

REWIND SPEED: 160 ips

FAST FORWARD, FAST REVERSE: 160 ips

FAST FORWARD, FAST REVERSE, START/STOP
CHARACTERISTICS (37.5 ips):

Distance: 69" start, nominal
31" stop, nominal
Time: 0.7 second, maximum

START/STOP TIMES: 10 ms (at 37.5 ips)

START/STOP TAPE TRAVEL: $0.187" \pm 0.020"$

REEL MOTOR BRAKING: Dynamic

RECORDING MODE: PE (IBM compatible)
NRZI (IBM compatible)

BOT AND EOT REFLECTIVE STRIP DETECTION:

Photoelectric, IBM compatible

WEIGHT: 130 lb, maximum (59 kg)

DIMENSIONS:

Height: 24" (610 mm)
Width: 19" (483 mm)
Depth (from mounting surface): 12" (305 mm)
Total Depth: 15-3/4" (400 mm)

OPERATING ENVIRONMENT:

Ambient Temp: $+32^{\circ}$ to $+131^{\circ}$ F (0° to $+55^{\circ}$ C)
Relative Humidity: 20 to 80%
Altitude: 10,000 feet (3048 meters)

POWER REQUIREMENTS:

115 or 230 ($\pm 10\%$) Vac
48 to 440 Hz, single phase
500 watts, max (on high line)

TRANSPORT MOUNTING:

Vertical: Std 19" (483 mm) RETMA rack
Horizontal: 24" (610 mm) rack (19" centers)

NOTES

UNITED STATES

ALABAMA

P.O. Box 4207
2003 Byrd Spring Road S.W.
Huntsville 35802
Tel: (205) 881-4591
TWX: 810-726-2204

ARIZONA

2336 E. Magnolia St.
Phoenix 85034
Tel: (602) 252-5061
TWX: 910-951-1330

5737 East Broadway
Tucson 85716
Tel: (602) 298-2313
TWX: 910-952-1162

CALIFORNIA

1430 East Orangethorpe Ave.
Fullerton 92631
Tel: (714) 870-1000

3939 Lankershim Boulevard
North Hollywood 91604
Tel: (213) 877-1282
TWX: 910-499-2170

1101 Embarcadero Road
Palo Alto 94303
Tel: (415) 327-6500
TWX: 910-373-1280

2220 Watt Ave.
Sacramento 95825
Tel: (916) 482-1463
TWX: 910-367-2092

9606 Aero Drive
San Diego 92123
Tel: (714) 279-3200
TWX: 910-335-2000

COLORADO

7965 East Prentice
Englewood 80110
Tel: (303) 771-3455
TWX: 910-935-0705

CONNECTICUT

508 Tolland Street
East Hartford 06108
Tel: (203) 289-9394
TWX: 710-425-3416

111 East Avenue
Norwalk 06851
Tel: (203) 853-1251
TWX: 710-468-3750

FLORIDA

P.O. Box 24210
2806 W. Oakland Park Blvd.
Ft. Lauderdale 33307
Tel: (305) 731-2020
TWX: 510-955-4099

P.O. Box 20007
Herndon Station 32814
621 Commonwealth Avenue
Orlando
Tel: (305) 841-3970
TWX: 810-850-0113

GEORGIA

P.O. Box 28234
450 Interstate North
Atlanta 30328
Tel: (404) 436-6181
TWX: 810-766-4890

ILLINOIS

5500 Howard Street
Skokie 60076
Tel: (312) 677-0400
TWX: 910-223-3613

INDIANA

3839 Meadows Drive
Indianapolis 46205
Tel: (317) 546-4891
TWX: 810-341-3263

LOUISIANA

P.O. Box 856
1942 Williams Boulevard
Kenner 70062
Tel: (504) 721-6201
TWX: 810-955-5524

MARYLAND

6707 Whitestone Road
Baltimore 21207
Tel: (301) 944-5400
TWX: 710-862-9157

P.O. Box 1648
2 Choke Cherry Road
Rockville 20850
Tel: (301) 948-6370
TWX: 710-828-9684

MASSACHUSETTS

32 Hartwell Ave.
Lexington 02173
Tel: (617) 861-8960
TWX: 710-326-6904

MICHIGAN

24315 Northwestern Highway
Southfield 48075
Tel: (313) 353-9100
TWX: 810-224-4882

MINNESOTA

2459 University Avenue
St. Paul 55114
Tel: (612) 645-9461
TWX: 910-563-3734

MISSOURI

11131 Colorado Ave.
Kansas City 64137
Tel: (816) 763-8000
TWX: 910-771-2087

2812 South Brentwood Blvd.
St. Louis 63144
Tel: (314) 962-5000
TWX: 910-760-1670

NEW JERSEY

W. 120 Century Road
Paramus 07652
Tel: (201) 265-5000
TWX: 710-990-4951

1060 N. Kings Highway
Cherry Hill 08034
Tel: (609) 667-4000
TWX: 710-892-4945

NEW MEXICO

P.O. Box 8366
Station C
6501 Lomas Boulevard N.E.
Albuquerque 87108
Tel: (505) 265-3713
TWX: 910-989-1665

156 Wyatt Drive
Las Cruces 88001
Tel: (505) 526-2485
TWX: 910-983-0550

NEW YORK

1702 Central Avenue
Albany 12205
Tel: (518) 869-8462
TWX: 710-441-8270

1219 Campville Road
Endicott 13760
Tel: (607) 754-0050
TWX: 510-252-0890

82 Washington Street
Poughkeepsie 12601
Tel: (914) 454-7330
TWX: 510-248-0012

39 Saginaw Drive
Rochester 14623
Tel: (716) 473-9500
TWX: 510-253-5981

1025 Northern Boulevard
Roslyn, Long Island 11576
Tel: (516) 869-8400
TWX: 510-223-0811

5858 East Molloy Road
Syracuse 13211
Tel: (315) 454-2486
TWX: 710-541-0482

NORTH CAROLINA

P.O. Box 5188
1923 North Main Street
High Point 27262
Tel: (919) 885-8101
TWX: 510-926-1516

OHIO

25575 Center Ridge Road
Cleveland 44145
Tel: (216) 835-0300
TWX: 810-427-9129

3460 South Dixie Drive
Dayton 45439
Tel: (513) 298-0351
TWX: 810-459-1925

1120 Morse Road
Columbus 43229
Tel: (614) 846-1300

OKLAHOMA

2919 United Founders Boulevard
Oklahoma City 73112
Tel: (405) 848-2801
TWX: 910-830-6862

OREGON

Westhills Mall, Suite 158
4475 S.W. Scholls Ferry Road
Portland 97225
Tel: (503) 292-9171
TWX: 910-464-6103

PENNSYLVANIA

2500 Moss Side Boulevard
Monroeville 15146
Tel: (412) 271-0724
TWX: 710-797-3650

1021 8th Avenue
King of Prussia Industrial Park
King of Prussia 19406
Tel: (215) 265-7000
TWX: 510-660-2670

RHODE ISLAND

873 Waterman Ave.
East Providence 02914
Tel: (401) 434-5535
TWX: 710-381-7573

TEXAS

P.O. Box 1270
201 E. Arapaho Rd.
Richardson 75080
Tel: (214) 231-6101
TWX: 910-867-4723

P.O. Box 22813
6300 Westpark Drive
Suite 100
Houston 77027
Tel: (713) 781-6000
TWX: 910-881-2645

231 Billy Mitchell Road
San Antonio 78226
Tel: (512) 434-4171
TWX: 910-871-1170

UTAH

2890 South Main Street
Salt Lake City 84115
Tel: (801) 487-0715
TWX: 910-925-5681

VERMONT

P.O. Box 2287
Kennedy Drive
South Burlington 05401
Tel: (802) 658-4455
TWX: 510-299-0025

VIRGINIA

P.O. Box 6514
2111 Spencer Road
Richmond 23230
Tel: (703) 285-3431
TWX: 910-956-0157

WASHINGTON

433-108th N.E.
Bellevue 98004
Tel: (206) 454-3971
TWX: 910-443-2303

*WEST VIRGINIA

Charleston
Tel: (304) 768-1232

FOR U.S. AREAS NOT LISTED:

Contact the regional office nearest you: Atlanta, Georgia . . . North Hollywood, California . . . Paramus, New Jersey . . . Skokie, Illinois. Their complete addresses are listed above.

*Service Only

CANADA

ALBERTA

Hewlett-Packard (Canada) Ltd.
11745 Jasper Ave.
Edmonton
Tel: (403) 482-5561
TWX: 610-831-2431

BRITISH COLUMBIA

Hewlett-Packard (Canada) Ltd.
4519 Canada Way
North Burnaby 2
Tel: (604) 433-8213
TWX: 610-922-5059

MANITOBA

Hewlett-Packard (Canada) Ltd.
511 Bradford Ct.
St. James
Tel: (204) 786-7581
TWX: 610-671-3531

NOVA SCOTIA

Hewlett-Packard (Canada) Ltd.
2745 Dutch Village Rd.
Suite 203
Halifax
Tel: (902) 455-0511
TWX: 610-271-4482

ONTARIO

Hewlett-Packard (Canada) Ltd.
880 Lady Ellen Place
Ottawa 3
Tel: (613) 722-4223
TWX: 610-562-1952

Hewlett-Packard (Canada) Ltd.
50 Galaxy Blvd.
Rexdale
Tel: (416) 677-9611
TWX: 610-492-4246

QUEBEC

Hewlett-Packard (Canada) Ltd.
275 Hymus Boulevard
Pointe Claire
Tel: (514) 697-4232
TWX: 610-422-3022
Telex: 01-20607

FOR CANADIAN AREAS NOT LISTED:

Contact Hewlett-Packard (Canada) Ltd. in Pointe Claire, at the complete address listed above.

CENTRAL AND SOUTH AMERICA

ARGENTINA

Hewlett-Packard Argentina
S.A.C.e.I
Lavalite 1171 - 3°
Buenos Aires
Tel: 35-0436, 35-0627, 35-0431
Telex: 012-1009
Cable: HEWPACKARG

BRAZIL

Hewlett-Packard Do Brasil
I.e.C Ltda.
Rua Frei Caneca 1119
Sao Paulo - 3, SP
Tel: 288-7111, 287-5858
Cable: HEWPACK Sao Paulo

Hewlett-Packard Do Brasil
Praca Dom Feliciano 78, 8°
andar salas 806/808
Porto Alegre
Rio Grande do Sul (RS)-Brasil

Hewlett-Packard Do Brasil
I.e.C. Ltda.
Rua da Matriz 29
Botafogo ZC-02
Rio de Janeiro, GB
Tel: 246-4417
Cable: HEWPACK Rio de Janeiro

CHILE

Héctor Calcagni y Cia, Ltda.
Bustos, 1932-3er Piso
Casilla 13942
Santiago
Tel: 4-2396
Cable: Calcagni Santiago

COLUMBIA

Instrumentacion
Henrik A. Langebaek & Kier
Ltda.
Carrera 7 No. 48-59
Apartado Aereo 6287
Bogota, 1 D.E.
Tel: 45-78-06, 45-55-46
Cable: AARIS Bogota
Telex: 044-400

COSTA RICA

Lic. Alfredo Gallegos Gurdian
Apartado 3243
San José
Tel: 21-86-13
Cable: GALGUR San José

ECUADOR

Laboratorios de Radio-Ingenieria
Calle Guayaquil 1246
Post Office Box 3199
Quito
Tel: 12496
Cable: HORVATH Quito

EL SALVADOR

Electrónica
Apartado Postal 1589
27 Avenida Norte 1133
San Salvador
Tel: 25-74-50
Cable: ELECTRONICA
San Salvador

MEXICO

Hewlett-Packard Mexicana, S.A.
de C.V.
Moras 439
Col. del Valle
Mexico 12, D.F.
Tel: 575-46-49, 575-80-20,
575-80-30

NICARAGUA

Roberto Terán G.
Apartado Postal 689
Edificio Terán
Managua
Tel: 3451, 3452
Cable: ROTERAN Managua

PANAMA

Electrónico Balboa, S.A.
P.O. Box 4929
Ave. Manuel Espinosa No. 13-50
Bldg. Alina
Panama City
Tel: 230833
Telex: 3481003, Curundu,
Canal Zone
Cable: ELECTRON Panama City

PERU

Compañía Electro Medica S.A.
Ave. Enrique Canaval 312
San Isidro
Casilla 1030
Lima
Tel: 22-3900
Cable: ELMED Lima

PUERTO RICO

San Juan Electronics, Inc.
P.O. Box 5167
Ponce de Leon 154
Pda. 3-Pta. de Tierra
San Juan 00906
Tel: (809) 725-3342, 722-3342
Cable: SATRONICS San Juan
Telex: SATRON 3450 332

SURINAME

Surtel-Radio Holland N.V.
P.O. Box 155
Paramaribo

URUGUAY

Pablo Ferrando S.A.
Comercial e Industrial
Avenida Italia 2877
Casilla de Correo 370
Montevideo
Tel: 40-3102
Cable: RADIUM Montevideo

VENEZUELA

Hewlett-Packard De Venezuela
C.A.
Apartado 50933
Caracas
Tel: 71.88.05, 71.88.69, 71.99.30
71.88.76, 71.82.05
Cable: HEWPACK Caracas

FOR AREAS NOT LISTED, CONTACT:

Hewlett-Packard
INTERCONTINENTAL
3200 Hillview Ave.
Palo Alto, California 94304
Tel: (415) 493-1501
TWX: 910-373-1267
Cable: HEWPACK Palo Alto
Telex: 034-8461

EUROPE

AUSTRIA

Uniflavor GmbH
Wissenschaftliche Instrumente
Rummelhardtgasse 6
P.O. Box 33
A-1095 Vienna
Tel: (222) 42 61 81, 43 13 94
Cable: LABORINSTRUMENT
Vienna
Telex: 75 762

BELGIUM

Hewlett-Packard S.A. Benelux
348 Boulevard du Souverain
1160 Brussels
Tel: 72 22 40
Cable: PALOBEN Brussels
Telex: 23 494

DENMARK

Hewlett-Packard A/S
Datavej 38
DK-3460 Birkerød
Tel: (01) 81 66 40
Cable: HEWPACK AS
Telex: 66 40

Hewlett-Packard A/S
Torvet 9
DK-8600 Silkeborg
Tel: (06) 827-840

FINLAND

Hewlett-Packard Oy
Bulevardi 26
P.O. Box 12185
Helsinki 12
Tel: 13-730
Cable: HEWPACKOY-Helsinki
Telex: 12-1563

FRANCE

Hewlett-Packard France
Quartier de Courtaboeuf
Boite Postale No. 6
91 Orsay
Tel: 1-920 88 01
Cable: HEWPACK Orsay
Telex: 60048

Hewlett-Packard France
4 Quai des Etoirits
69 Lyon 5ème
Tel: 78-42 63 45
Cable: HEWPACK Lyon
Telex: 31617

Hewlett-Packard France
29 rue de la Gara
F-31 Blagnac
Tel: (61) 85 82 29
Telex: 51957

GERMANY

Hewlett-Packard Vertriebs-GmbH
Berliner Strasse 117
Postfach 560/40
D6 Nieder-Eschbach/Ffm 56
Tel: (0611) 50 10 64
Cable: HEWPACKSA Frankfurt
Telex: 41 32 49 FRA

Hewlett-Packard Vertriebs-GmbH
Wilmerdorfer Strasse 113/114
D-1000 Berlin W. 12
Tel: (0311) 3137046
Telex: 18 34 05

Hewlett-Packard Vertriebs-GmbH
Herrenbergerstrasse 110
D7030 Böblingen, Württemberg
Tel: 07031-6671
Cable: HEPAG Böblingen
Telex: 72 65 739

Hewlett-Packard Vertriebs-GmbH
Vogelsanger Weg 38
D4 Düsseldorf
Tel: (0211) 63 80 31/35
Telex: 85/86 533

Hewlett-Packard Vertriebs-GmbH
Wendenstr. 23
D2 Hamburg 1
Tel: (0411) 24 05 51/52
Cable: HEWPACKSA Hamburg
Telex: 21 53 32

Hewlett-Packard Vertriebs-GmbH
Reginfriedstrasse 13
D8 München 9
Tel: (0811) 69 59 71/75
Cable: HEWPACKSA München
Telex: 52 49 85

GREECE

Kostas Karayannis
18, Ermou Street
Athens 126
Tel: 230301,3,5
Cable: RAKAR Athens
Telex: 21 59 62 RKAR GR

IRELAND

Hewlett-Packard Ltd.
224 Bath Road
Slough, Bucks, England
Tel: Slough 753-33341
Cable: HEWPIE Slough
Telex: 84413

ITALY

Hewlett-Packard Italiana S.p.A.
Via Amerigo Vespucci 2
20124 Milano
Tel: (2) 6251 (10 lines)
Cable: HEWPACKIT Milan
Telex: 32046

Hewlett-Packard Italiana S.p.A.
Palazzo Italia
Piazza Marconi 25
00144 Rome - Eur
Tel: 6-591 2544
Cable: HEWPACKIT Rome
Telex: 61514

NETHERLANDS

Hewlett-Packard Benelux, N.V.
Weerdestein 117
P.O. Box 7825
Amsterdam, Z 11
Tel: 020-42 77 77
Cable: PALOBEN Amsterdam
Telex: 13 216

NORWAY

Hewlett-Packard Norge A/S
Box 149
Nesveien 13
N-1344 Haslum
Tel: 2-53 83 60
Cable: HEWPACK Oslo
Telex: 16621

PORTUGAL

Teletra
Empresa Tecnica de
Equipamentos
Eléctricos, S.a.r.l.
Rua Rodrigo da Fonseca 103
Lisbon 1
Tel: 68 60 72
Cable: TELETRACTA Lisbon
Telex: 1598

SPAIN

Ataio Ingenieros SA
Enrique Larreta 12
Madrid, 16
Tel: 215 35 43
Cable: TELEATAIO Madrid
Telex: 27249E

Ataio Ingenieros SA
Ganduxer 76
Barcelona 6
Tel: 211-44-610
Cable: TELEATAIO BARCELONA

SWEDEN

Hewlett-Packard Sverige AB
Enighetsvägen 1-3
Fack
S-161 20 Bromma 20
Tel: (08) 98 12 50
Cable: MEASUREMENTS
Stockholm
Telex: 10721

Hewlett-Packard Sverige AB
Hagakergatan 9C
Box 4028
S 431 04 Mölndal 4
Tel: 031 - 27 68 00
Telex: 21 312 hpmIndl

SWITZERLAND

Hewlett Packard Schweiz AG
Zürcherstrasse 20
CH-8952 Schlieren Zurich
Tel: (051) 98 18 21/24
Cable: HPAG CH
Telex: 53933

Hewlett Packard Schweiz A.G.
Rue du Bois-du-Lan 7
1217 Meyrin 2 Geneva
Tel: (022) 41 54 00
Cable: HEWPACKSA Geneva
Telex: 2 24 86

TURKEY

Telekom Engineering Bureau
P.O. Box 376
Karakoy
Istanbul
Tel: 49 40 40
Cable: TELEMANTEL Istanbul

UNITED KINGDOM

Hewlett-Packard Ltd.
224 Bath Road
Slough, Bucks
Tel: Slough (0753) 33341
Cable: HEWPIE Slough
Telex: 84413

Hewlett-Packard Ltd.
The Graftons
Stamford New Road
Altrincham, Cheshire
Tel: 061 928-8626
Telex: 668068

YUGOSLAVIA

Belram S.A.
83 avenue des Mimosas
Brussels 1150, Belgium
Tel: 34 33 32, 34 26 19
Cable: BELRAMEL Brussels
Telex: 21790

SOCIALIST COUNTRIES

PLEASE CONTACT:
Correspondence Office for
Eastern Europe
Innsbrasse 23/2
Postfach
A1204 Vienna, Austria
Tel: (222) 3366 06/09
Cable: HEWPACK Vienna
Telex: 75923

ALL OTHER EUROPEAN

COUNTRIES CONTACT:
Hewlett-Packard S.A.
Rue du Bois-du-Lan 7
1217 Meyrin 2 Geneva
Switzerland
Tel: (022) 41 54 00
Cable: HEWPACKSA Geneva
Telex: 2.24.86

AFRICA, ASIA, AUSTRALIA

ANGOLA

Telectra Empresa Técnica
de Equipamentos Eléctricos
SAR
Rua de Barbosa Rodrigues
42-15
Box 6487
Luanda
Cable: TELECTRA Luanda

AUSTRALIA

Hewlett-Packard Australia
Pty. Ltd.
22-26 Welr Street
Glen Iris, 3146
Victoria
Tel: 20.1371 (6 lines)
Cable: HEWPARD Melbourne
Telex: 31024

Hewlett-Packard Australia
Pty. Ltd.
61 Alexander Street
Crows Nest 2065
New South Wales
Tel: 43.7865
Cable: HEWPARD Sydney
Telex: 21561

Hewlett-Packard Australia
Pty. Ltd.
97 Churchill Road
Prospect 5082
South Australia
Tel: 65.2366
Cable: HEWPARD Adelaide

Hewlett Packard Australia
Pty. Ltd.
2nd Floor, Suite 13
Casablanca Buildings
196 Adelaide Terrace
Perth, W.A. 6000
Tel: 21-3330
Cable: HEWPARD Perth

Hewlett-Packard Australia
Pty. Ltd.
10 Woolley Street
P.O. Box 191
Dickson A.C.T. 2602
Tel: 49-8194
Cable: HEWPARD Canberra ACT

Hewlett-Packard Australia
Pty. Ltd.
75 Simpsons Road
Bardon
Queensland, 4068
Tel: 36-5411

CEYLON

United Electricals Ltd.
P.O. Box 681
Yahala Building
Staples Street
Colombo 2
Tel: 5496
Cable: HOTPOINT Colombo

CYPRUS

Kypronics
19 Gregorios & Xenopoulos Road
P.O. Box 1152
Nicosia
Tel: 6282-75628
Cable: HE-I-NAMI

ETHIOPIA

African Salespower & Agency
Private Ltd., Co.
P. O. Box 718
58/59 Cunningham St.
Addis Ababa
Tel: 12285
Cable: ASACO Addisababa

HONG KONG

Schmidt & Co. (Hong Kong) Ltd.
P.O. Box 297
1511, Prince's Building 15th Floor
10, Chater Road
Hong Kong
Tel: 240168, 232735
Cable: SCHMIDTCO Hong Kong

INDIA

Blue Star Ltd.
Kasturi Buildings
Jamshedji Tata Rd.
Bombay 20BR, India
Tel: 29 50 21
Telex: 2156
Cable: BLUEFROST

Blue Star Ltd.
Band Box House
Prabhadevi
Bombay 25DD, India
Tel: 45 73 01
Telex: 2156
Cable: BLUESTAR

Blue Star Ltd.
14/40 Civil Lines
Kanpur, India
Tel: 6 88 82
Cable: BLUESTAR

Blue Star, Ltd.
7 Hare Street
P.O. Box 506
Calcutta 1, India
Tel: 23-0131
Telex: 655
Cable: BLUESTAR

Blue Star Ltd.
Blue Star House,
34 Ring Road
Lajpat Nagar
New Delhi 24, India
Tel: 62 32 76
Telex: 463
Cable: BLUESTAR

Blue Star Ltd.
17-C Ulsoor Road
Bangalore-8
Blue Star, Ltd.
96 Park Lane
Secunderabad 3, India
Tel: 7 63 91
Cable: BLUEFROST

Blue Star, Ltd.
23/24 Second Line Beach
Madras 1, India
Tel: 2 39 55
Telex: 379
Cable: BLUESTAR

Blue Star, Ltd.
1B Kaiser Bungalow
Dindii Road
Jamshedpur, India
Tel: 38 04
Cable: BLUESTAR

INDONESIA
Bah Bolon Trading Coy. N.V.
Djaloh Merdeka 29
Bandung
Tel: 4915 51560
Cable: ILMU
Telex: 809

IRAN

Telecom, Ltd.
P. O. Box 1812
240 Kh. Saba Shomali
Teheran
Tel: 43850, 48111
Cable: BASCOM Teheran

ISRAEL

Electronics & Engineering
Div. of Motorola Israel Ltd.
17 Aminadav Street
Tel-Aviv
Tel: 36941 (3 lines)
Cable: BASTEL Tel-Aviv
Telex: Bastel Tv 033-569

JAPAN

Yokogawa-Hewlett-Packard Ltd.
Onashi Building
59 Yoyogi 1-chrome
Shibuya-ku, Tokyo
Tel: 03-370-2281/7
Telex: 232-2024YHP
Cable: YHPMARKET TOK 23-724

Yokogawa-Hewlett-Packard Ltd.
Nisei Ibaragi Bldg.
2-2-8 Kasuga
Ibaragi-Shi
Osaka
Tel: 23-1641
Telex: 385-5332 YHPOSAKA

Yokogawa-Hewlett-Packard Ltd.
Ito Building
No. 59, Kotori-cho
Nakamura-ku, Nagoya City
Tel: 551-0215

Yokogawa-Hewlett-Packard Ltd.
Nitto Bldg.
2300 Shinohara-cho,
Kohoku-ku
Yokohama 222
Tel: (405) 432-1504/5

KOREA

American Trading Co.,
Korea, Ltd.
Seoul P.O. Box 1103
7th & 8th floors, DaeKyung Bldg.
107 Sejong Ro
Chongro-Ku, Seoul
Tel: 75-5841 (4 lines)
Cable: AMTRACOK Seoul

LEBANON

Constantin E. Macridis
Clemenceau Street
P.O. Box 7213
Beirut
Tel: 220846
Cable: ELECTRONUCLEAR Beirut

MALAYSIA

MECOMB Malaysia Ltd.
2 Lorong 13/6A
Section 13
Petaling Jaya, Selangor
Cable: MECOMB Kuala Lumpur

MOZAMBIQUE

A. N. Goncalves, LDA.
4.1 Apt. 14 Av. D. Luis
P.O. Box 107
Lourenco Marques
Cable: NEGON

NEW ZEALAND

Hewlett-Packard (N.Z.) Ltd.
32-34 Kent Terrace
Wellington, N.Z.
Tel: 56-559
Cable: HEWPACK Wellington

Hewlett Packard (N.Z.) Ltd.
Box 51092
Pukuranga
Tel: 573-733

PAKISTAN (EAST)

Mushko & Company, Ltd.
Zirat Chambers
31, Jinnah Avenue
Dacca
Tel: 280058
Cable: NEWDEAL Dacca

PAKISTAN (WEST)

Mushko & Company, Ltd.
Oosman Chambers
Victoria Road
Karachi 3
Tel: 511027, 512927
Cable: COOPERATOR Karachi

PHILIPPINES

Electromex Inc.
Makati Commercial Center
2129 Pasong Tamo
Makati, Rizal D 708
P.O. Box 1028
Manila
Tel: 89-85-01
Cable: ELEMEX Manila

SINGAPORE

Mechanical and Combustion
Engineering Company Ltd.
9, Jalan Kilang
Red Hill Industrial Estate
Singapore, 3
Tel: 642361-3
Cable: MECOMB Singapore

SOUTH AFRICA

Hewlett Packard South Africa
(Pty.), Ltd.
P.O. Box 31716
Braamfontein Transvaal
Milneron
30 De Beer Street
Johannesburg
Tel: 725-2080, 725-2030
Telex: 0226 JH
Cable: HEWPACK Johannesburg

Hewlett Packard South Africa
(Pty.), Ltd.
Breecastle House
Bree Street
Cape Town
Tel: 3-6019, 3-6545
Cable: HEWPACK Cape Town
Telex: 5-0006

Hewlett Packard South Africa
(Pty.), Ltd.
30B Glenwood Centre
Corner Hunt & Moore Roads
P.O. Box 99
Overport, Natal
Tel: 347536

TAIWAN REP. OF CHINA

Hewlett Packard Taiwan
39 Chung Shiao West
Sec. 1
Overseas Insurance
Corp. Bldg. 7th Floor
Taipei
Tel: 579-605, 579-610, 579-613
Telex: c/o Bankamerica TP 339
Cable: HEWPACK Taipei

THAILAND

The International
Engineering Co., Ltd.
P. O. Box 39
614 Sukhumvit Road
Bangkok
Tel: 910722 (7 lines)
Cable: GYSOM
TLX INTENCO BK-226 Bangkok

VIETNAM

Peninsular Trading Inc.
P.O. Box H-3
216 Hien-Vuong
Saigon
Tel: 20805, 93398
Cable: PENTRA, SAIGON 242

ZAMBIA

R. J. Tilbury (Zambia) Ltd.
P.O. Box 2792
Lusaka
Zambia, Central Africa

MEDITERRANEAN AND MIDDLE EAST COUNTRIES NOT SHOWN PLEASE CONTACT:

Hewlett-Packard Correspondence
Office
Piazza Marconi 25
I-00144 Rome-Eur, Italy
Tel: (6) 59 40 29
Cable: HEWPACKIT Rome
Telex: 61514

Hewlett-Packard Far East
Area Office
P.O. Box 87
Alexandra Post Office
Singapore 3
Tel: 633022
Cable: HEWPACK SINGAPORE

OTHER AREAS NOT LISTED, CONTACT:

Hewlett-Packard
INTERCONTINENTAL
3200 Hillview Ave.
Palo Alto, California 94304
Tel: (415) 326-7000
(Feb. 71 493-1501)
TWX: 910-373-1267
Cable: HEWPACK Palo Alto
Telex: 034-8461



DATA SYSTEM PERIPHERALS