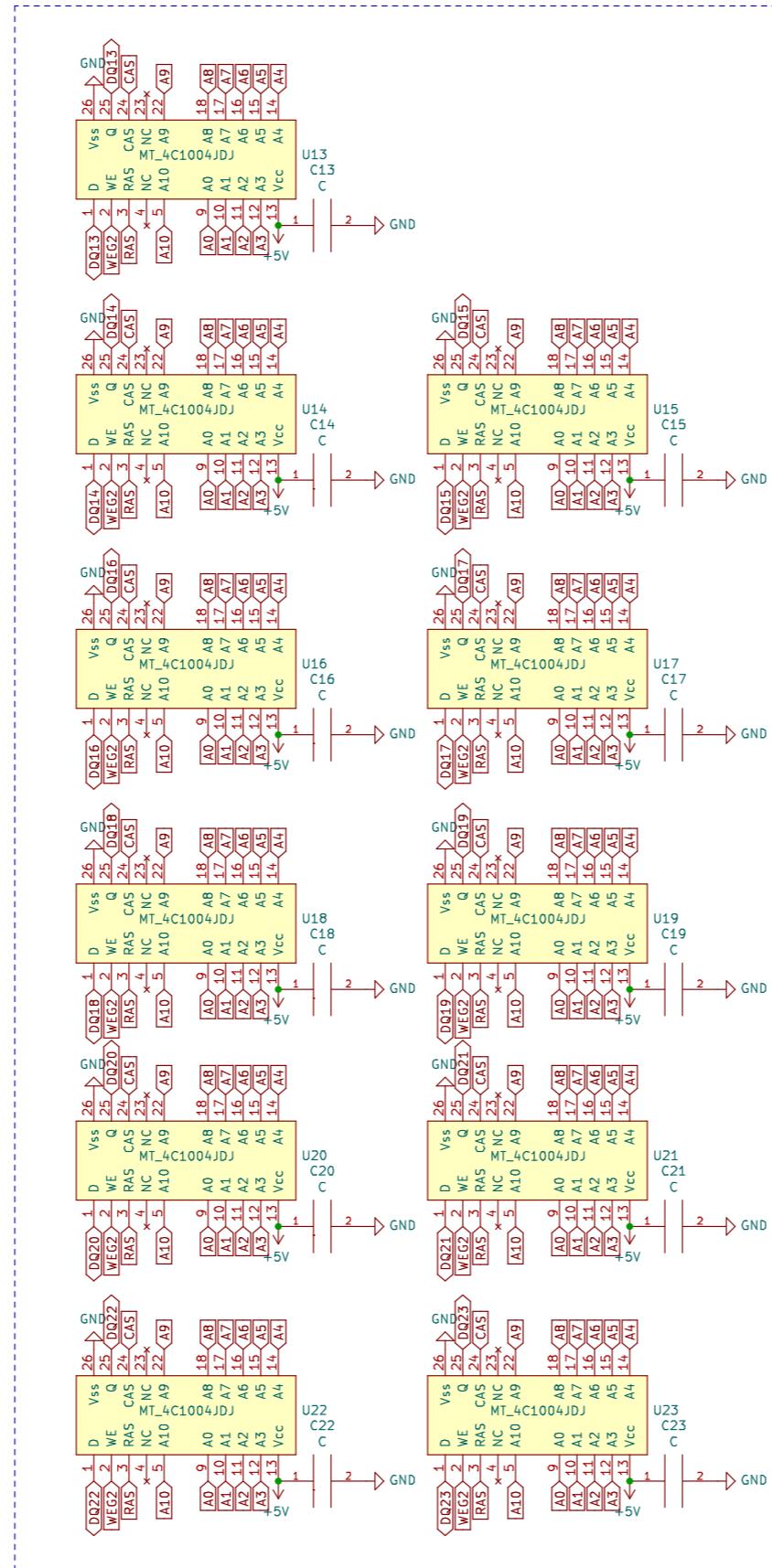
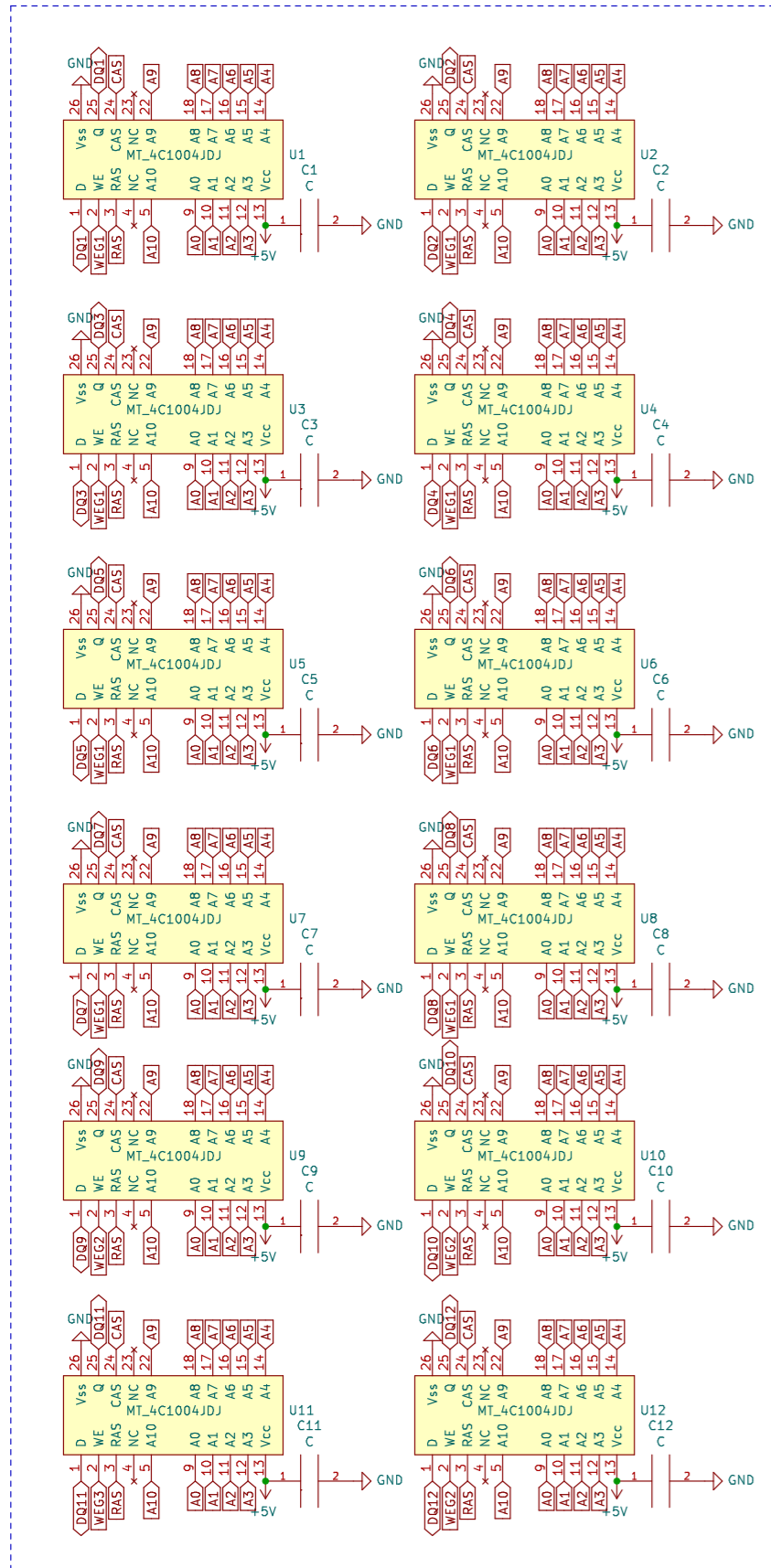
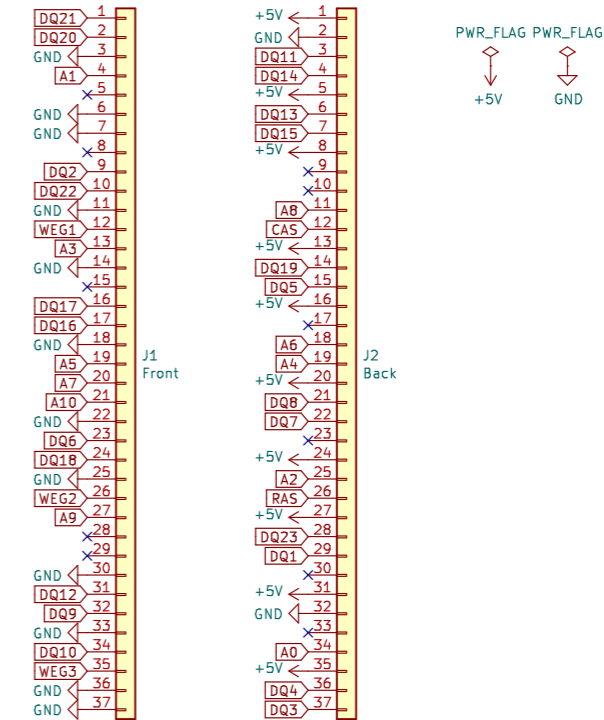


Front

Back



WEG1 (Write Enable Group 1) is connected to U1..U8 and U16..23
 WEG2 (Write Enable Group 2) is connected to U9..10 and U12..15
 WEG3 (Write Enable Group 3) is connected to U11



Alexander Huemer

Sheet: /
File: ibm_3174_memory_module.kicad_sch

Title: IBM 3174 6M memory module reproduction

Size: A3 Date: 2022

KiCad E.D.A. kicad 6.0.0+dfsg1-2

Rev:

Id: 1/1