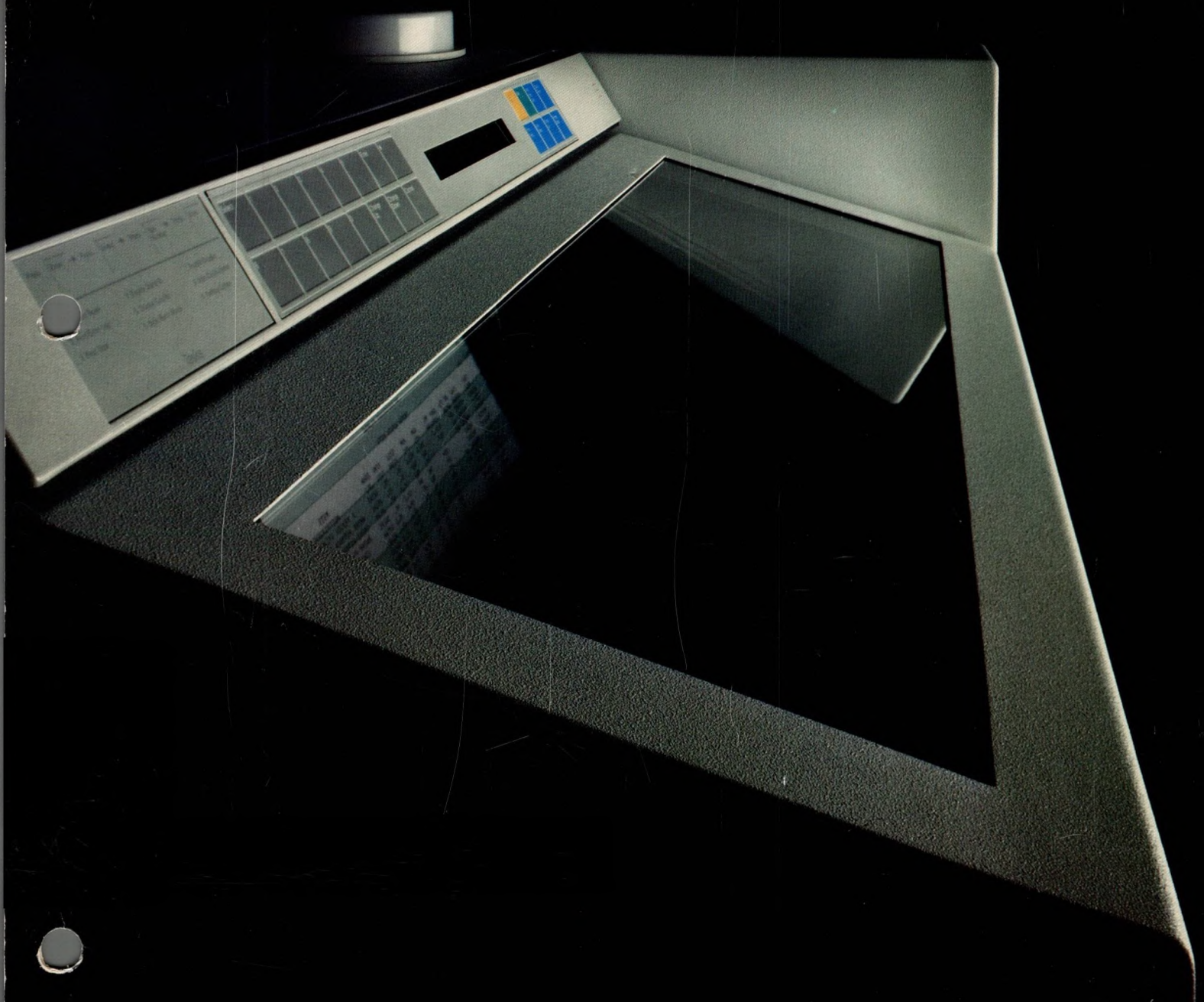


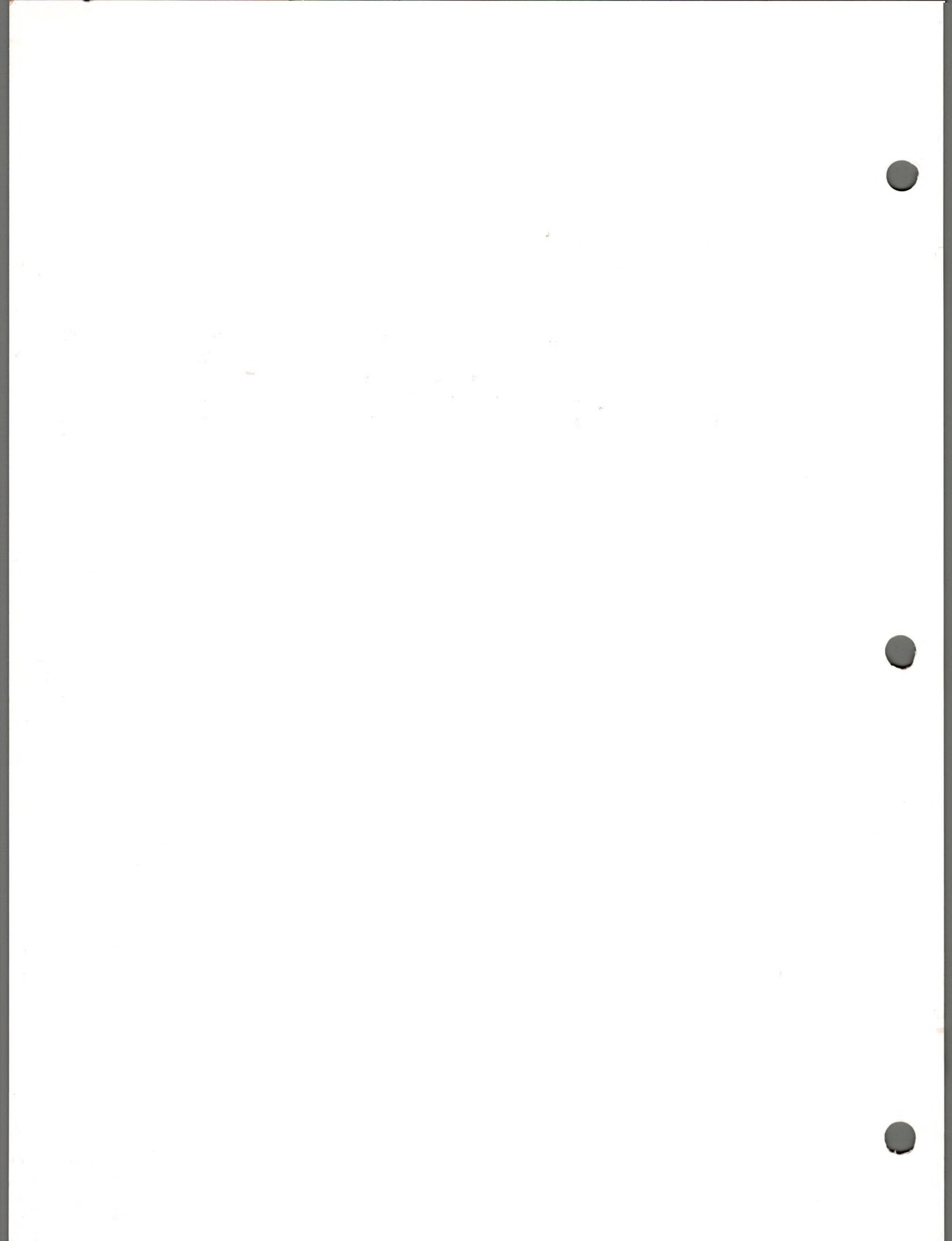
IBM

**6262 Printer
Models D12, T12, D14, T14 and O14**

S124-0160-3

Parts Catalog





**6262 Printer
Models D12, T12, D14, T14 and 014
Parts Catalog**

Document Number S124-0160-03

April 7, 1989

D.G. Stanton

IBM Corporation
K15/3C7
Endicott, N.Y. 13760

Preface

This Parts Catalog (PC) contains listings and illustrations of all replaceable assemblies and detail parts on or before March 03, 1989 for the IBM 6262 PRINTER MODELS D12, T12, D14, T14 AND 014.

Fourth Edition (May 1989)

This major revision obsoletes and replaces S124-0160-02.

Changes are made occasionally to the information herein; any such changes will be reported in subsequent revisions or Technical Newsletters.

References in this publication to IBM products, programs, or services do not imply that IBM intends to make these available in all countries in which IBM operates. Any reference to an IBM licensed program in this publication is not intended to state or imply that only IBM's licensed program may be used. Any functionally equivalent program may be used instead.

Ordering Publications

Publications are *not* stocked at the address given below. Requests for IBM publications should be made to your IBM representative or to the IBM branch office serving your locality.

A form for readers' comments is provided at the back of this publication. If the form has been removed, comments may be addressed to IBM Corporation, Information Development, Dept. K10, P.O. Box 6, Endicott, NY, U.S.A. 13760. IBM may use or distribute whatever information you supply in any way it believes appropriate without incurring any obligation to you.

Assemblies

Band Drive Assembly	54
Blower Distribution Box Assembly	62
Cable Routing Distribution	80
Carriage Assembly	38
Door and Frame Assembly	2
Final Assembly	18
Final Hammer Unit Assembly	58
Forms Loading Door Assembly	12
Front Unit Assembly	46
Hammer Unit Sub Assembly	60
Logic Gate Assembly	64
Lower Structure Assembly	32
Power Stacker Feedroll Assembly	72
Power Stacker Lift Mechanism	74
Power Supply Assembly	68
Right (Power) Side Door Assembly	14
Stacker Door Assembly	16

How To Use This Parts Catalog

• **SIMILAR ASSEMBLIES:** If two assemblies contain a majority of identical parts, they are broken down on the same list. Common parts are shown by one index number. Parts peculiar to one or the other of the assemblies are listed separately and identified by description.

• **AR:** (As Required) in the Units column indicates that the quantity is not the same for all machines.

• **NP:** (Non-Procurable) in the Units column indicates that the part is non-procurable and that the individual parts or the next higher assembly should be ordered.

• **NR:** (Not Recommended) in the Units column indicates that the part is procurable but not recommended for field replacement, and that the next higher assembly should be ordered.

• **R:** (Restricted) in the Units column indicates that the part has a restricted availability.

• **INDENTURE:** The indenture is marked by a series of dots located before the parts description. The indenture indicates the relationship of a part to the next higher assembly. For example:

Indenture Relationship of Parts

(No dot) MAIN ASSEMBLY

(One dot) • Detail parts of a main assembly

(One dot) • Sub assembly of the main assembly

(Two dot) • • Detail parts of a one-dot sub assembly

(Two dot) • • Sub assembly of a one-dot sub assembly

(Three dot) • • • Detail parts of a two-dot sub assembly

Asm-Index	Part Number	Units	Description
3-	2512667	1	Cover Asm, Rear, Red
	2513714	1	Cover Asm, Rear, White
			For Next Higher Asm, see Assembly 1-2.
-1	5373637	1	•Seal, Top
-2	5356429	2	•Clip, Retaining
-3	1847630	1	•Finger Stock Asm
-4	1847602	NR	••Channel, Finger Stock
-5	5373639	AR	•Seal, Bottom
-6	5356429	2	•Clip, Retaining
-7		NP	•Cover, Rear, Without Paint
-8	0416629	R	•Screw, Panel

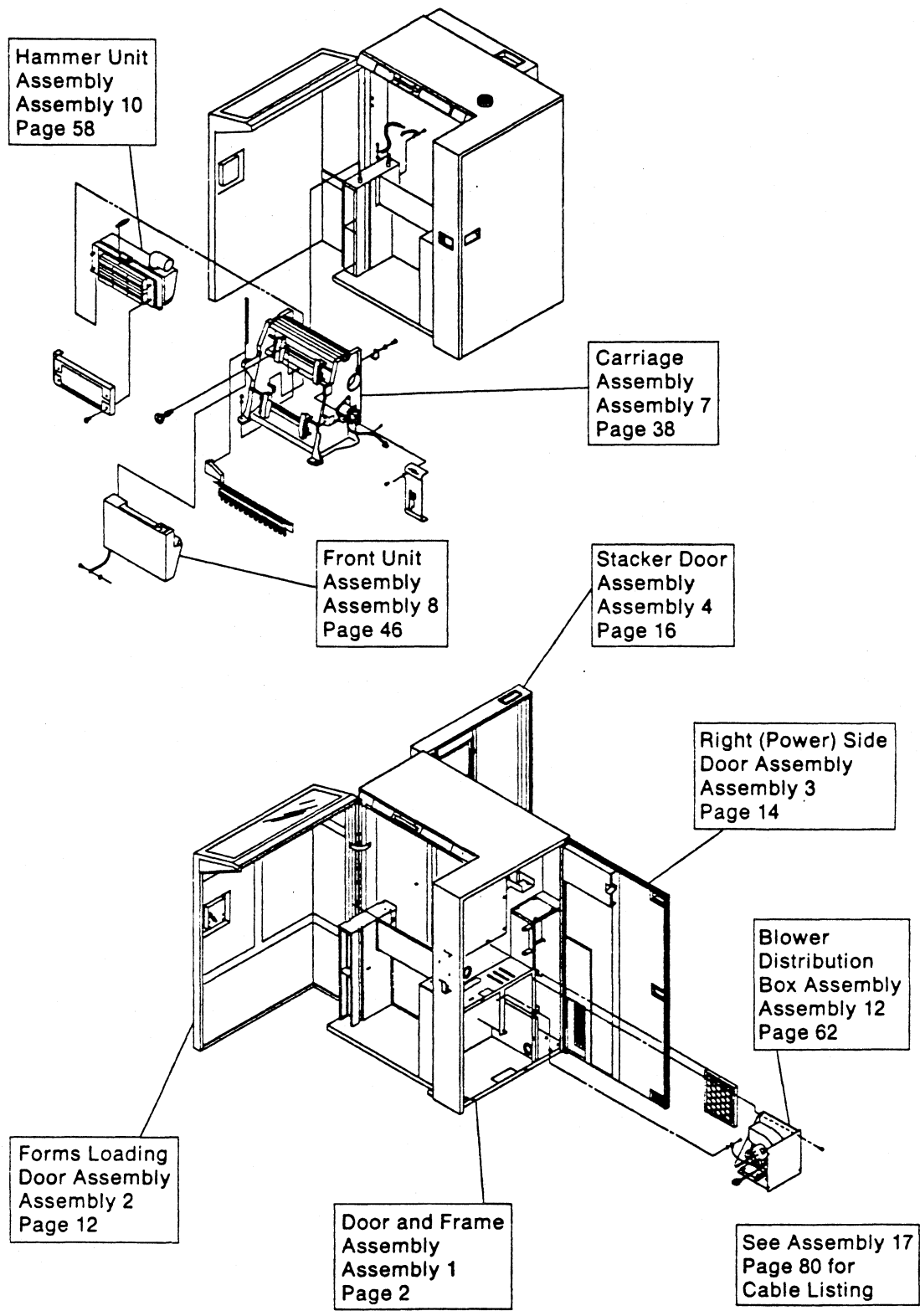


Figure 1. 'VISUAL I'

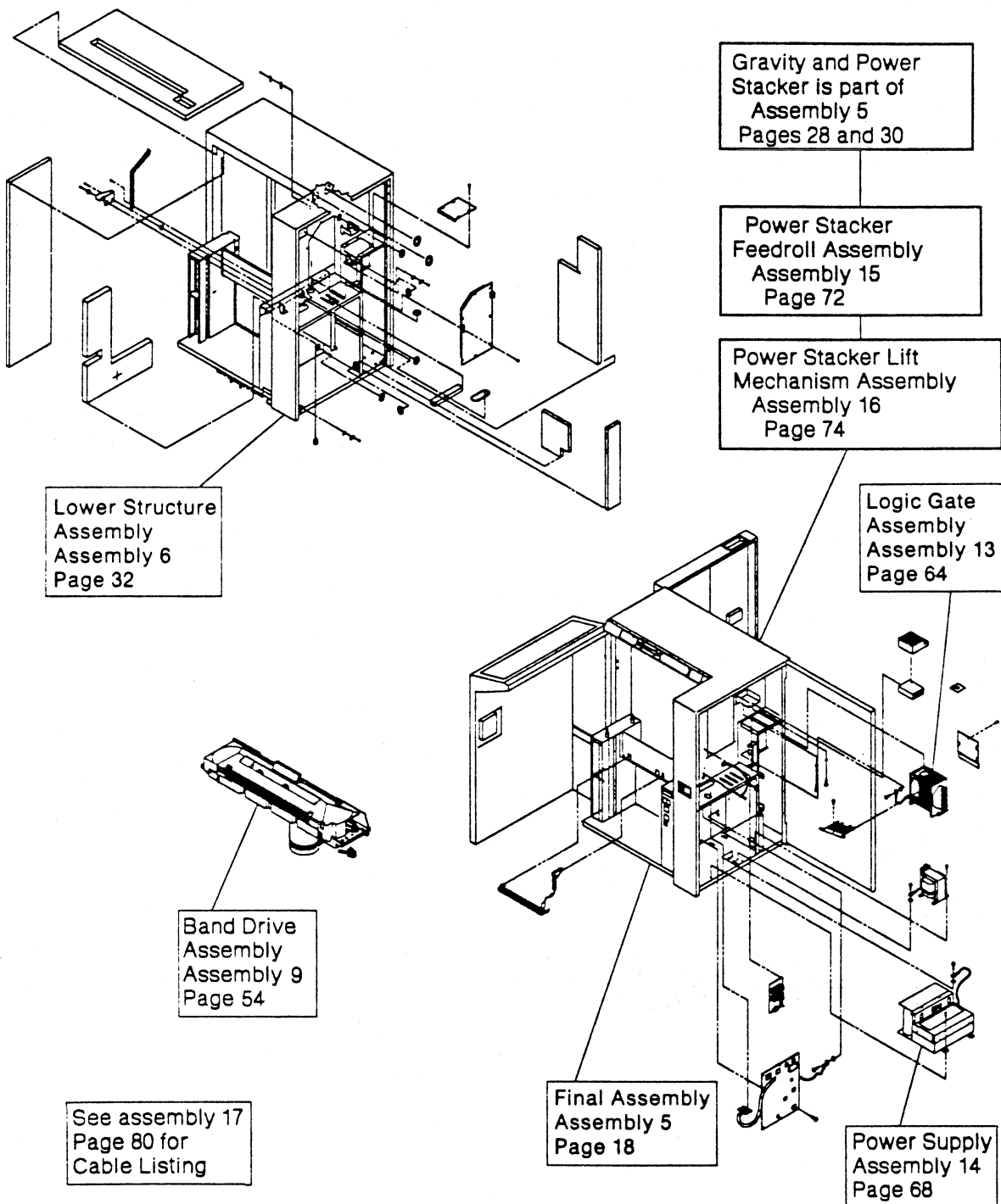
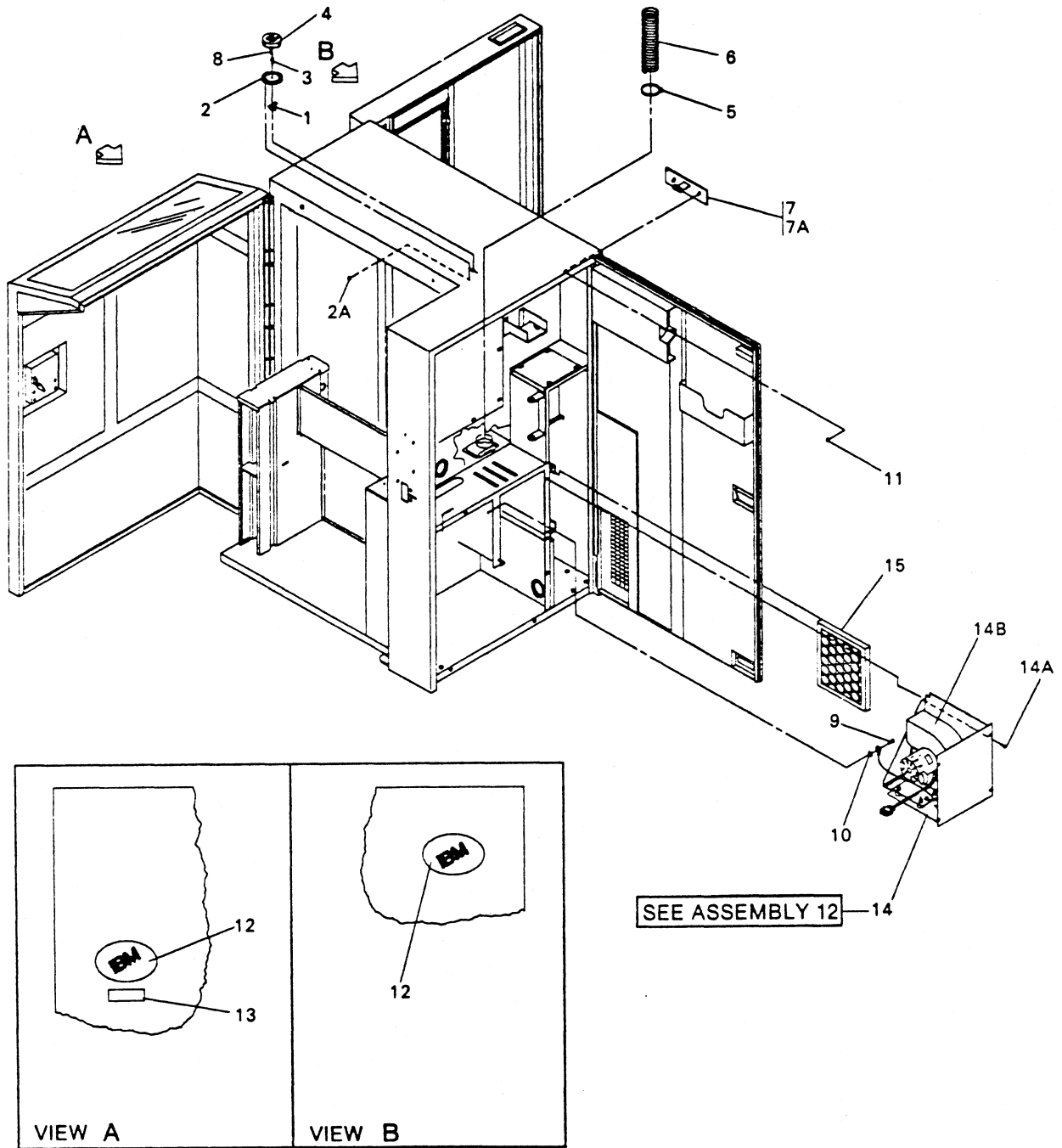


Figure 2. 'VISUAL II'

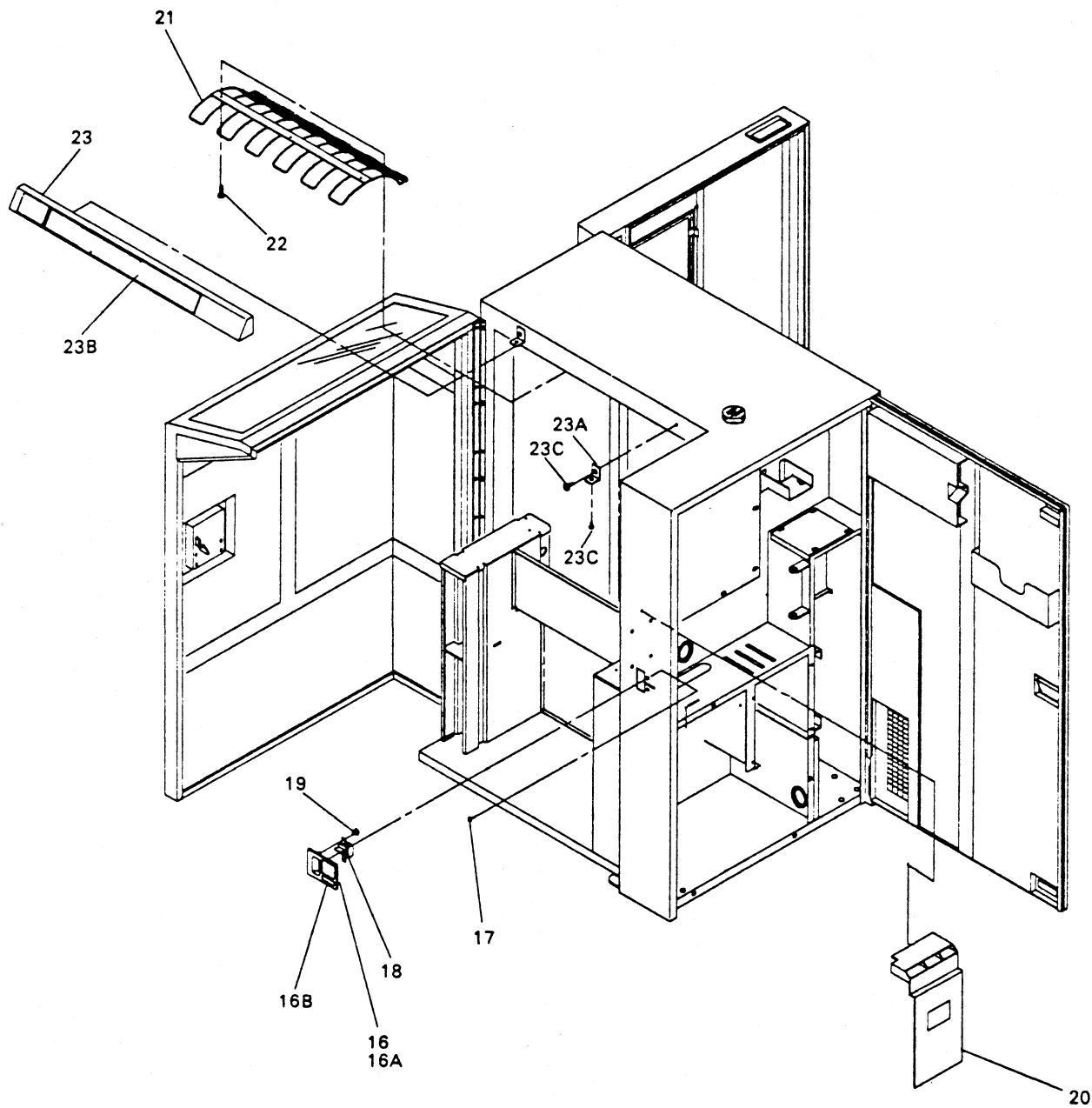
Catalog Section

Assembly 1: Door and Frame Assembly



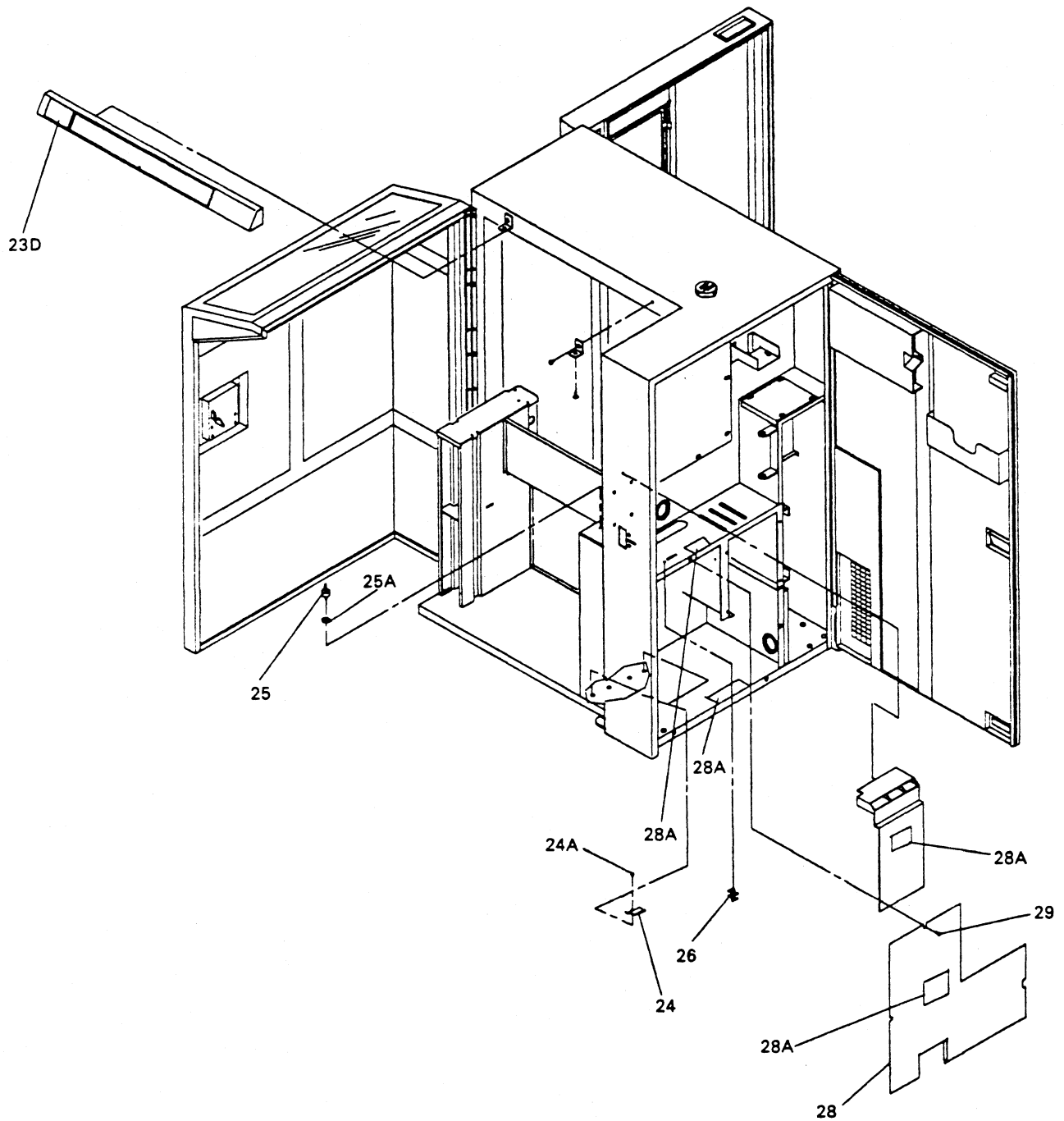
Asm - Index	Part Number	Units	Description
1 -	6855611	REF	Frame Assembly, Door For Higher Assembly, see Assembly 5-1.
-1	6854720	1	• Socket
-2	6854718	1	• Base
-2A	6854716	2	• Clip
-3	2129665	1	• Bulb
-4	6854717	1	• Lens
-5	5212727	1	• Clamp
-6	6855028	1	• Hose
-7	6854723	1	• Panel Assembly, Rear Operator Order Label Index Number 7A with Panel.
-7A	6854731	1	• Label, Rear Op-Panel - Gravity Stacker (English and U.K.)
-7A	6854732	1	• Label, Rear Op-Panel - Gravity Stack (German)
-7A	6854733	1	• Label, Rear Op-Panel - Gravity Stack (Canadian/French and French)
-7A	6854734	1	• Label, Rear Op-Panel - Gravity Stack (Italy)
-7A	6854735	1	• Label, Rear Op-Panel - Gravity Stack (Spanish)
-7A	6854759	1	• Label, Rear Op-Panel - Power Stacker (English and U.K.)
-7A	6854760	1	• Label, Rear Op-Panel - Power Stack (German)
-7A	6854761	1	• Label, Rear Op-Panel - Power Stack (Canadian/French and French)
-7A	6854762	1	• Label, Rear Op-Panel - Power Stack (Italy)
-7A	6854763	1	• Label, Rear Op-Panel - Power Stack (Spanish)
-8	6854728	1	• Filter
-9	1621191	1	• Screw, Slot Pan Hd, M4 X 10mm Long
-10	1622346	1	• Lockwasher, Ext Star, M4, 8mm OD X 0.5 Thk
-11	6854716	2	• Clip
-12	6855432	2	• Nameplate, Machine (Model D12)
-12	6855433	2	• Nameplate, Machine (Model T12)
-12	4F8879	2	• Nameplate, Machine (Model D14)
-12	4F8880	2	• Nameplate, Machine (Model T14)
-12	4F8881	2	• Nameplate, Machine (Model O14)
-13	6196502	1	• Label, Export (U.S.)
-13	1869190	1	• Label, Export (EMEA)
-13	4451771	1	• Label, Export (Asia/Pacific)
-14	6855058	1	• Box Assembly, Blower Distribution See Assembly 12 For Detail Breakdown.
-14A	1624766	4	• Screw, Hex Hd Flange, M4 X 10mm Long
-14B	6855025	1	• Blower Assembly, 50 HZ
-14B	6855133	1	• Blower Assembly, 60 HZ See Assembly 12 for assembly of Blower and Hardware.
-15	6855056	1	• Filter

Assembly 1: (continued)



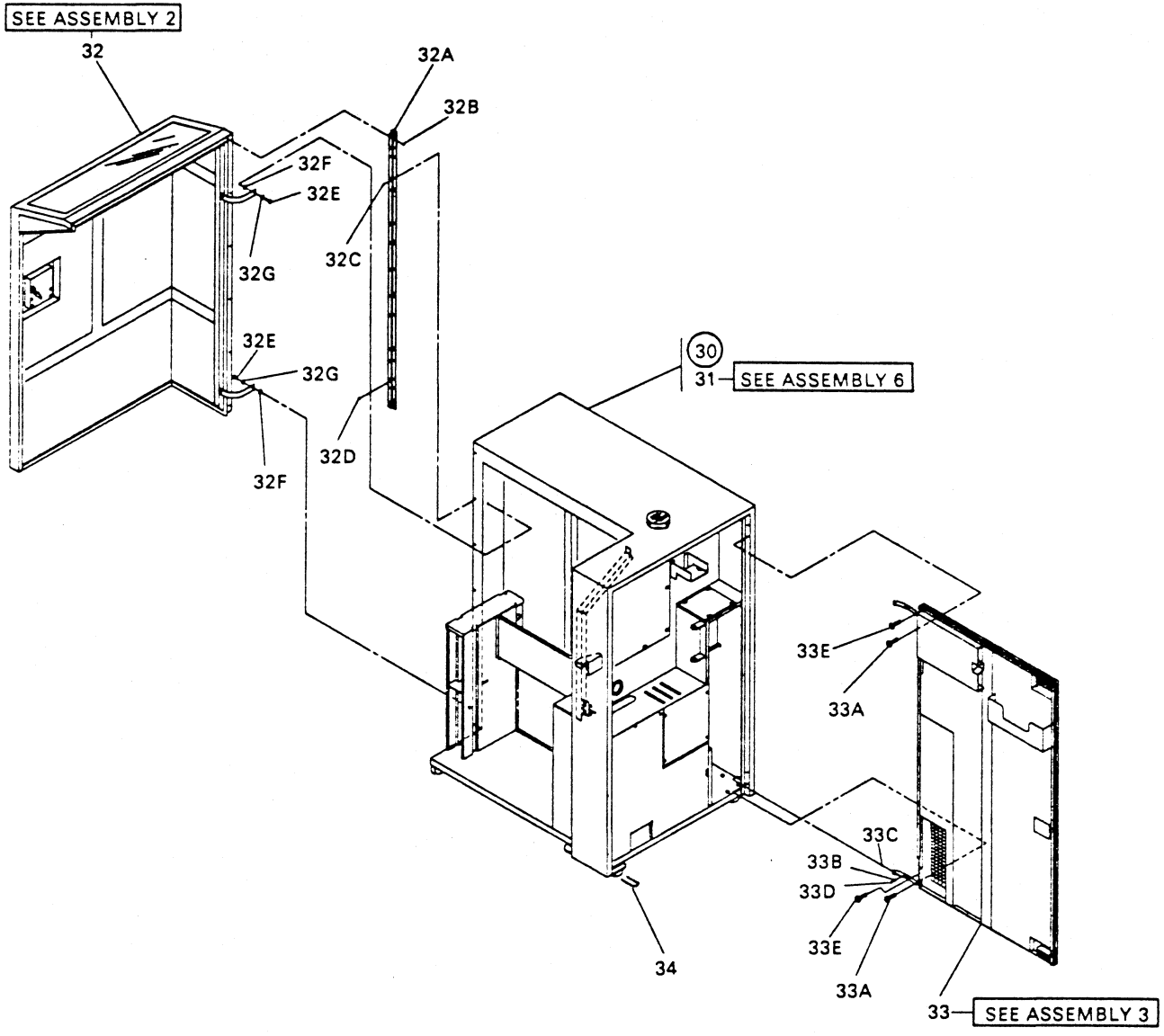
Asm - Index	Part Number	Units	Description
1-16	6854897	1	• Bezel
-16A	6854752	1	• Label, UPO Switch - D12, T12, D14, T14 (English and U.K.)
-16A	6854753	1	• Label, UPO Switch - D12, T12, D14, T14 (German)
-16A	6854754	1	• Label, UPO Switch - D12, T12, D14, T14 (Canada/French, French)
-16A	6854755	1	• Label, UPO Switch - D12, T12, D14, T14 (Italian)
-16A	6854756	1	• Label, UPO Switch - D12, T12, D14, T14 (Spanish)
-16A	6854774	1	• Label, UPO Switch - Model O14 (English and U.K.)
-16A	6854775	1	• Label, UPO Switch - Model O14 (German)
-16A	6854776	1	• Label, UPO Switch - Model O14 (Canada/French, French)
-16A	6854777	1	• Label, UPO Switch - Model O14 (Italian)
-16A	6854778	1	• Label, UPO Switch - Model O14 (Spanish) Label part of label in index -23B
-16B	89X1928	1	• Label, Serial Number
-17	6854716	2	• Clip
-18	4521305	1	• Switch
-19	1611347	2	• Screw, Thd Form 6-19, 0.312 Inches Long
-20	6855131	1	• Cover, Carriage Driver Card
-21	6855103	1	• Guide
-22	1621197	3	• Screw, Slot Pan Hd, M4 X 6mm Long
-23	6854721	1	• Panel Assembly, Operator Order Labels Index Numbers 23B and 23D when ordering Panel Assembly
-23A	6854711	2	• Bracket, Operator Panel Mount
-23B	6854752	1	• Label, Front Op-Panel (English and U.K.) Models D12, T12, D14 and T14
-23B	6854753	1	• Label, Front Op-Panel (German) Models D12, T12, D14 and T14
-23B	6854754	1	• Label, Front Op-Panel (Canada/French, French) Models D12, T12, D14 and T14
-23B	6854755	1	• Label, Front Op-Panel (Italian) Models D12, T12, D14 and T14
-23B	6854756	1	• Label, Front Op-Panel (Spanish) Models D12, T12, D14 and T14
-23B	6854774	1	• Label, Front Op-Panel (English and U.K.) Model O14
-23B	6854775	1	• Label, Front Op-Panel (German) Model O14
-23B	6854776	1	• Label, Front Op-Panel (Canada/French, French) Model O14
-23B	6854777	1	• Label, Front Op-Panel (Italian) Model O14
-23B	6854778	1	• Label, Front Op-Panel (Spanish) Model O14 Label part of label in index -16A
-23C	6855161	4	• Screw, Hex Hd w/wshr, M5 X 8.5mm Long

Assembly 1: (continued)



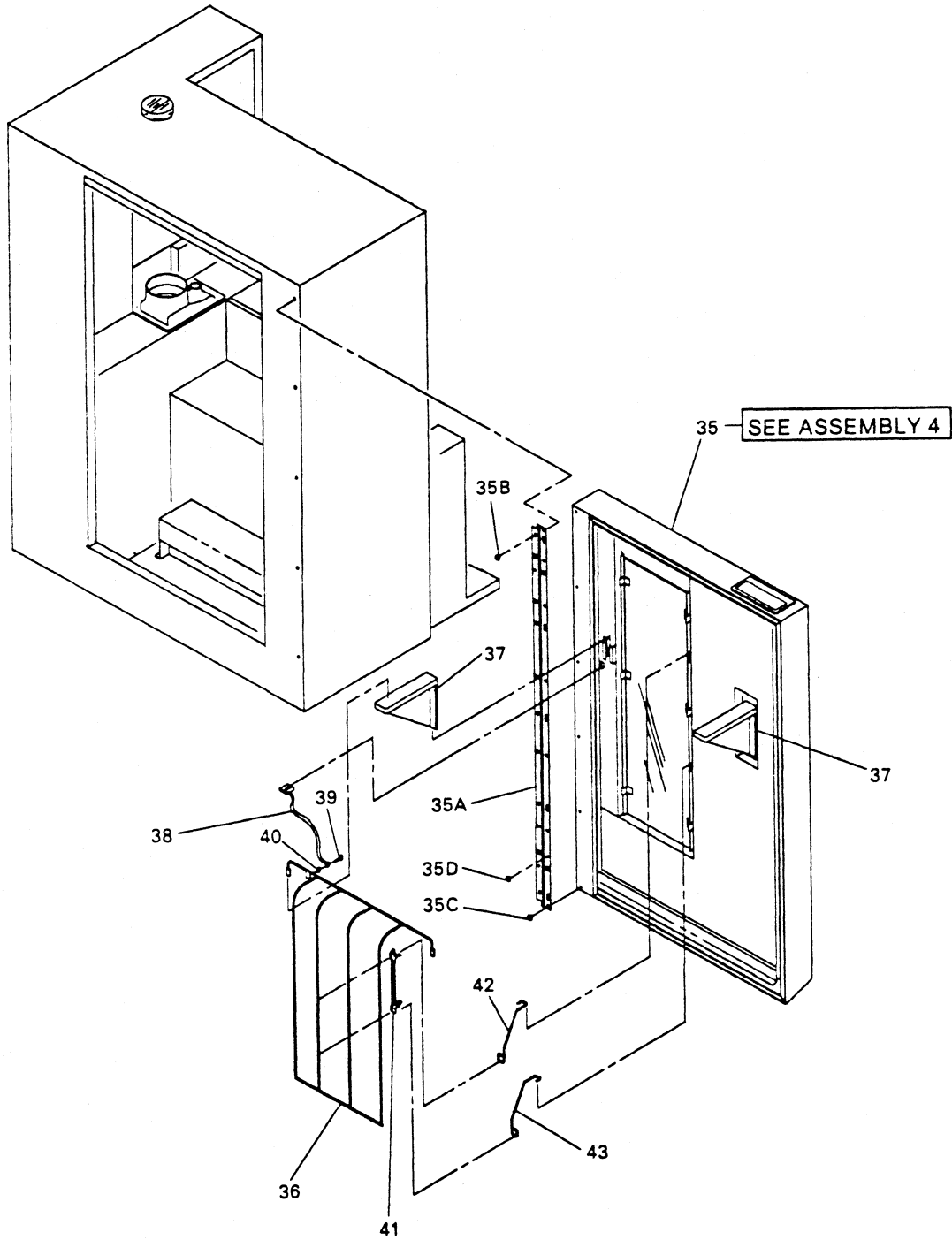
Asm - Index	Part Number	Units	Description
1-23D	6854738	1	• Label, Information (Model D12, D14) English and U.K.
-23D	6854739	1	• Label, Information (Model D12, D14) German
-23D	6854740	1	• Label, Information (Model D12 ,D14) Canada/French, French)
-23D	6854741	1	• Label, Information (Model D12, D14) Italian
-23D	6854742	1	• Label, Information (Model D12, D14) Spanish
-23D	6854745	1	• Label, Information (Model T12, T14) English and U.K.
-23D	6854746	1	• Label, Information (Model T12, T14) German
-23D	6854747	1	• Label, Information (Model T12, T14) Canada/French, French
-23D	6854748	1	• Label, Information (Model T12, T14) Italian
-23D	6854749	1	• Label, Information (Model T12, T14) Spanish
-23D	6854766	1	• Label, Information (Model O14) English and U.K.
-23D	6854767	1	• Label, Information (Model O14) German
-23D	6854768	1	• Label, Information (Model O14) Canada/French, French
-23D	6854769	1	• Label, Information (Model O14) Italian
-23D	6854770	1	• Label, Information (Model O14) Spanish
-24	6855171	2	• Bracket, Power Supply Mounting Brackets on early machines are welded to the frame and cannot be replaced
-24A	6855161	2	• Screw, Hex Hd w/wshr, M5 X 8.5mm Long
-25	1894655	4	• Shockmount
-25A	1622293	4	• Washer, Flat, M8, 32mm OD X 2 Thk
-26	375878	2	• Plug, Card Mounting
-28	6855063	1	• Cover, Power Compartment
-28A	369207	4	• Label, Hazardous Area (English, U.K., Norway)
-28A	8326799	4	• Label, Hazardous Area(Canada/French)
-28A	6855427	4	• Label, Hazardous Area (Brazil/Portugal)
-28A	1696016	4	• Label, Hazardous Area (German)
-28A	1696132	4	• Label, Hazardous Area (French)
-28A	8326798	4	• Label, Hazardous Area (Spanish)
-28A	8326800	4	• Label, Hazardous Area (Italian)
-28A	8326801	4	• Label, Hazardous Area (Finland)
-28A	8551904	4	• Label, Hazardous Area (Sweden)
-28A	8326797	4	• Label, Hazardous Area (Japanese)
-28A	1696110	4	• Label, Hazardous Area (French/Dutch)
-28A	810977	4	• Label, Hazardous Area (Denmark)
-29	1624766	1	• Screw, Hex Hd Flange, M4 X 10mm Long

Assembly 1: (continued)



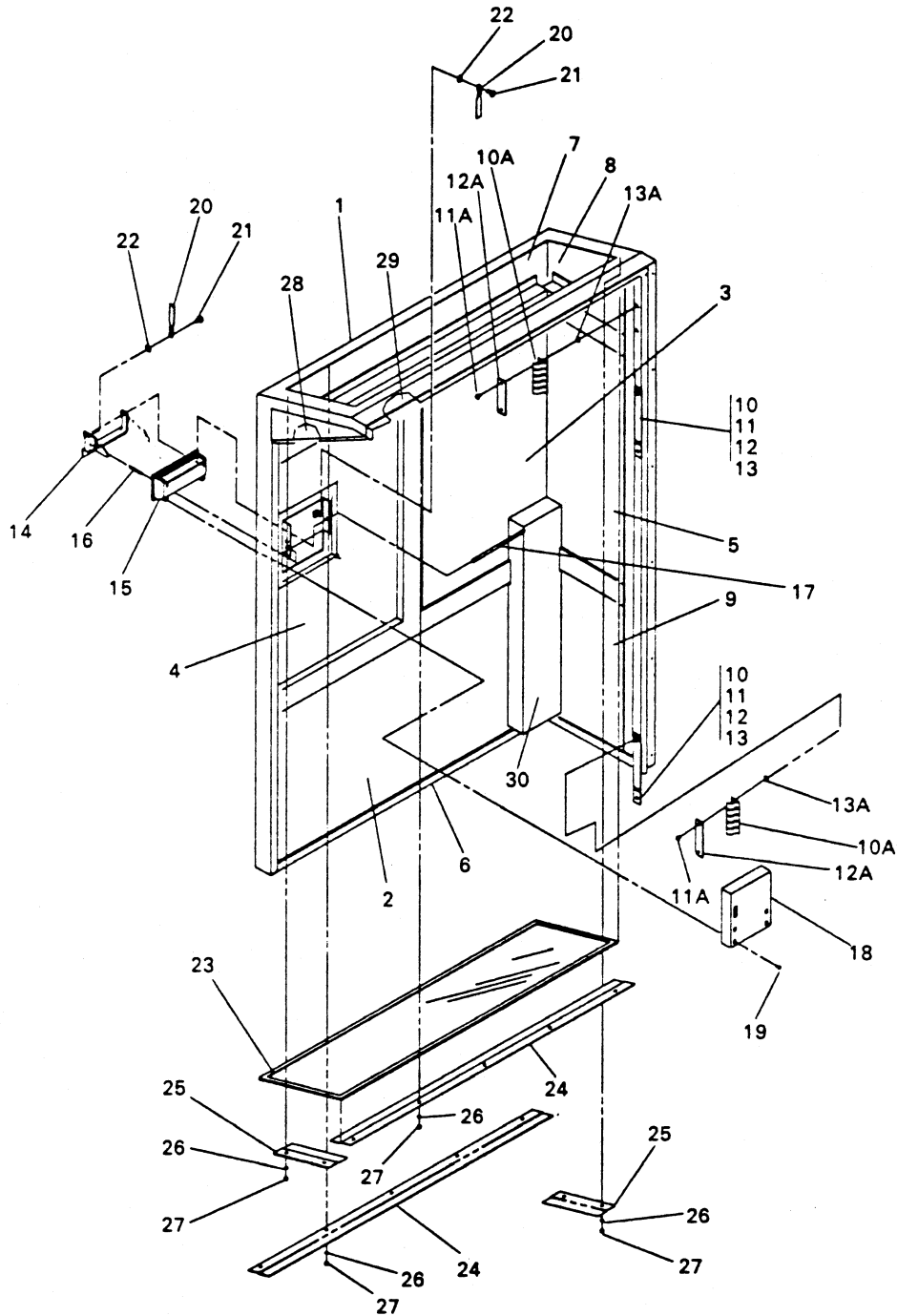
Asm - Index	Part Number	Units	Description
1-30	6855010	NP	• Frame Assembly, Doors
-31	6855000	NP	• • Lower Structure Assembly For Detail Breakdown, see Assembly 6.
-32	6855001	1	• • Door Assembly, Front (Forms Loading) For Detail Breakdown, see Assembly 2.
-32A	6855083	1	• • Hinge, Door
-32B	6855161	6	• • Screw, Hex Hd w/Wshr, M5 X 8.5mm Long
-32C	6855161	7	• • Screw, Hex Hd w/Wshr, M5 X 8.5mm Long
-32D	2549782	4	• • Screw, Hex Hd w/Wshr, Thread Form, M5 X 10mm Long
-32E	1621231	2	• • Screw, Slot Pan Hd, M6 X 16mm Long Machines prior to ECA63111. Machines at ECA63111 use Ground Fingers. See Assembly 2-10 to 2-13A.
-32F	1622348	2	• • Lockwasher, Ext Tooth, M6 X 11mm OD Machines prior to ECA63111. Machines at ECA63111 use Ground Fingers. See Assembly 2-10 to 2-13A.
-32G	1622306	2	• • Washer, Flat, M6, 12.5mm OD X 1.6 Thk Machines prior to ECA63111. Machines at ECA63111 use Ground Fingers. See Assembly 2-10 to 2-13A.
-33	6855002	1	• • Door Assembly, Right Side (Power Side) For Detail Breakdown, see Assembly 3.
-33A	6855161	4	• • Screw, Hex Hd w/Wshr, M5 X 8.5mm Long
-33B	1622305	2	• • Washer, Flat, M5 X 10mm OD
-33C	1622347	2	• • Lockwasher, Ext Tooth, M5 X 10mm OD
-33D	1622404	2	• • Nut, Dbl Chamfer Hex, M5 X 4.7mm Thk
-33E	2549561	2	• • Screw, Locking, Hex Hd, Thd Form, M3 X 10mm Long
-34	184886	2	• Lock, Caster

Assembly 1: (continued)



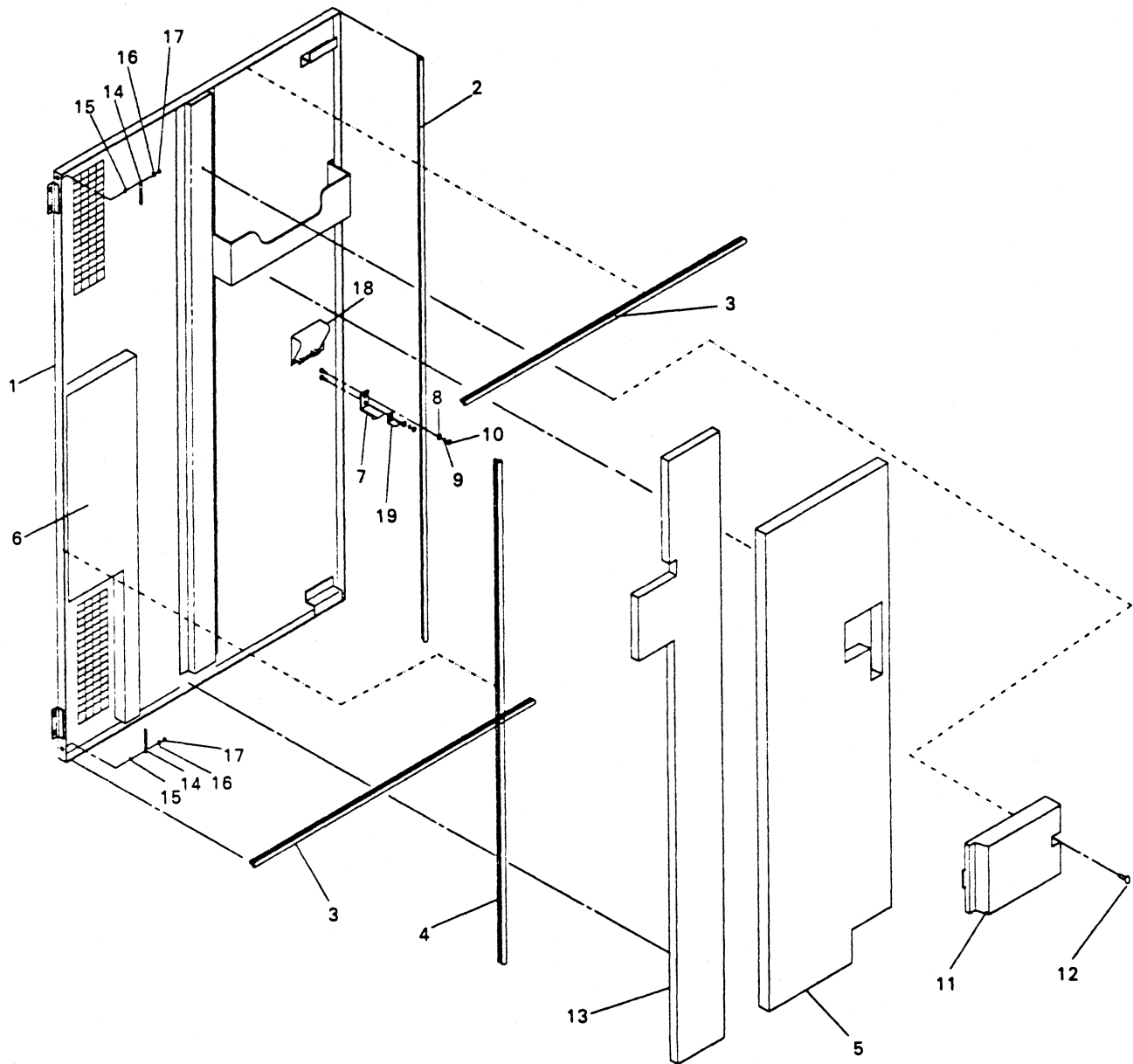
Asm - Index	Part Number	Units	Description
1-35	6855003	1	• • Door Assembly, Stacker For Detail Breakdown, see Assembly 4.
-35A	6855107	1	• • Hinge, Door
-35B	6855161	5	• • Screw, Hex Hd w/Wshr, M5 X 8.5mm Long
-35C	6855161	6	• • Screw, Hex Hd w/Wshr, M5 X 8.5mm Long
-35D	2549782	4	• • Screw, Hex Hd w/Wshr, Thread Form, M5 X 10mm Long
-36	68X9577	1	• • Guide, Paper Stacker
-37	68X9578	2	• • Bracket, Guide Mount
-38	1953833	1	• • Strap, Ground
-39	1621197	1	• • Screw, Slot Pan Hd, M4 X 6mm Long
-40	1622346	1	• • Lwasher, Ext Tooth, M4 X 8.5mm OD
-41	68X9548	1	• • Stabilizer, Guide
-42	68X9488	1	• • Mount (Upper)
-43	68X9489	1	• • Mount (Lower)

Assembly 2: Forms Loading Door Assembly



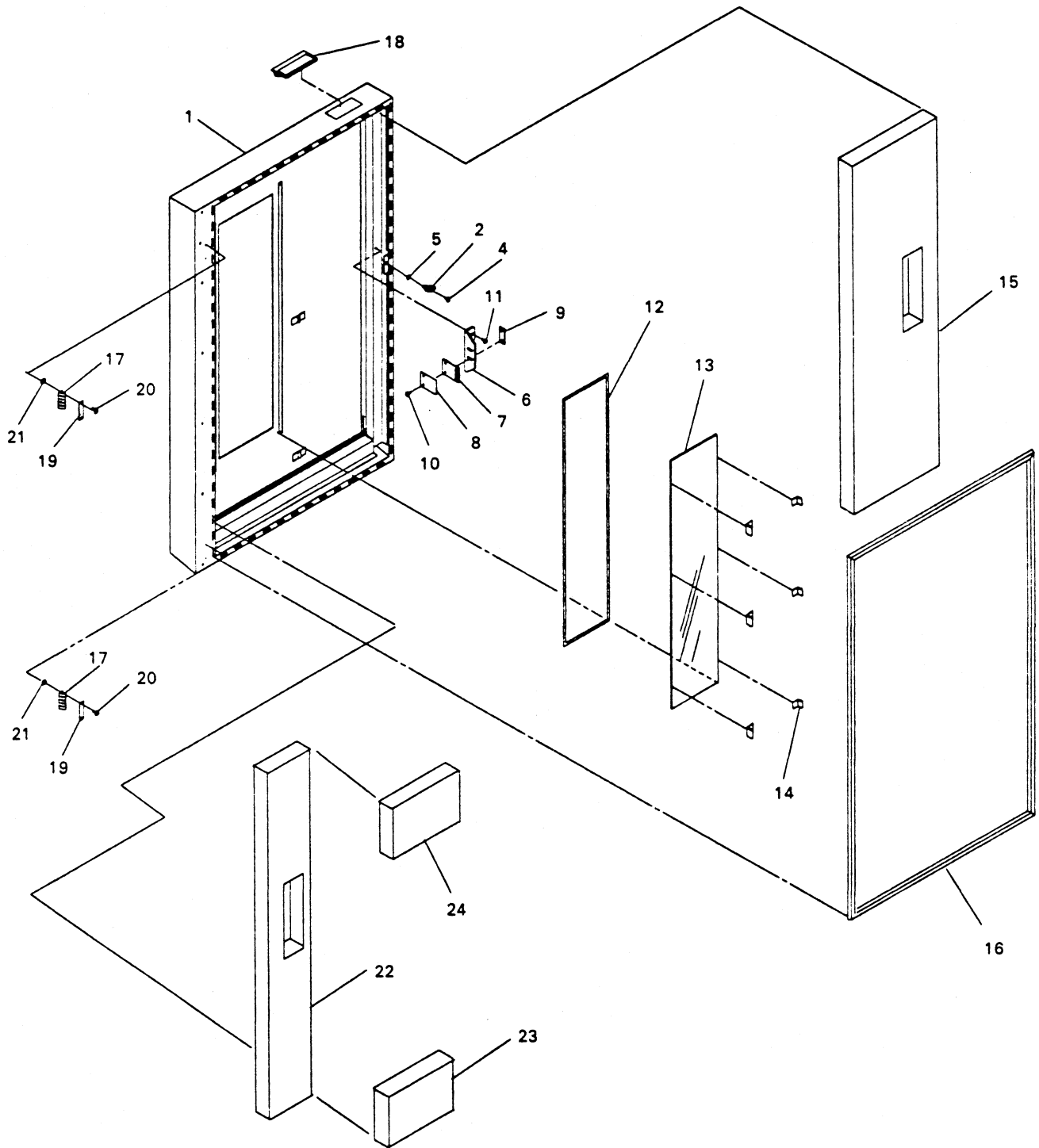
Asm - Index	Part Number	Units	Description
2-	6855001	REF	Door Assembly, Forms Loading For Next Higher Assembly, see Assembly 1-32.
-1	6855004	NP	• Door Assembly
-2	6855039	1	• Pad, Bottom
-3	6855040	1	• Pad, Middle Right
-4	6855041	1	• Pad, Middle Left
-5	6855042	1	• Pad, Middle Side
-6	6855116	1	• Seal
-7	6855086	1	• Pad, Top Front
-8	6855087	1	• Pad, Top Left Side
-9	6855093	1	• Pad, Bottom Side
-10	6855118	2	• Strap, Ground Machines prior to ECA63111.
-10A	6855126	2	• Finger, Ground Machines with ECA63111.
-11	1621231	2	• Screw, Pan Hd, M6 X 16mm Long Machines prior to ECA63111.
-11A	2549561	4	• Screw, Locking, Hex Hd, Thd Form, M3 X 10mm Long Machines with ECA63111.
-12	1622306	2	• Washer, Flat, M6 X 12.5mm OD X 2 T Machines prior to ECA63111.
-12A	6855127	2	• Plate, Finger Ground Machines with ECA63111.
-13	1622348	2	• Lockwasher, Ext Star, M6 X 11mm OD X 0.7 Thk Machines prior to ECA63111.
-13A	1622344	4	• Lockwasher, Ext Star, M3 X 0.4mm Thk Machines with ECA63111.
-14	6855013	1	• Latch
-15	6855046	1	• Bezel
-16	204478	1	• Spring
-17	6855014	1	• Pin
-18	6855016	1	• Cover
-19	1611347	4	• Screw, Thd Form 6-19, 0.312 Inches Long
-20	5689834	2	• Jumper Assembly, Ground
-21	1621199	2	• Screw, Slot Pan Hd, M4 X 4mm Long
-22	1622346	2	• Lockwasher, Ext Star, M4 X 8mm OD X 0.5 Thk
-23	6855124	1	• Window Assembly
-24	6855114	2	• Bracket
-25	6855120	2	• Bracket
-26	1622347	14	• Lockwasher, Ext Star, M5 X 10mm OD X 0.6 T
-27	1622404	14	• Nut, Double Chamfer Hex, M5 X 4mm Thk
-28	6855144	1	• Pad, Top Right Side
-29	6855150	1	• Pad, Top
-30	6855163	1	• Pad, Acoustic

Assembly 3: Right (Power) Side Door Assembly



Asm - Index	Part Number	Units	Description
3 -	6855002	REF	Door Assembly, Right (Power) Side For Next Higher Assembly, see Assembly 1-33.
-1	6855006	NP	• Door Assembly
-2	6855023	1	• Seal, Acoustic
-3	6855024	2	• Seal, Acoustic
-4	6855081	1	• Seal, Acoustic
-5	6855080	1	• Pad
-6	6855079	1	• Pad
-7	6855125	1	• Latch
-8	1622305	2	• Washer, Flat, M5, 10mm OD X 1 Thk
-9	1622319	2	• Lockwasher, Split, M5, 9.2mm OD X 1.2 Thk
-10	1622404	2	• Nut, Dbl Chamfer, M5, 8mm X 4.7mm Thk
-11	6855152	1	• Muffler Assembly
-12	6852006	1	• Retainer
-13	6855099	1	• Pad
-14	2101089	2	• Strap, Ground
-15	1622347	2	• Lockwasher, Ext Star, M5, 10mm OD X 0.6 Thk
-16	1622305	2	• Washer, Flat, M5, 10mm OD X 1 Thk
-17	1622404	2	• Nut, Double Chamfer, M5, 8mm X 4.7 Thk
-18	6855098	1	• Handle
-19	6855164	1	• Spring, Latch

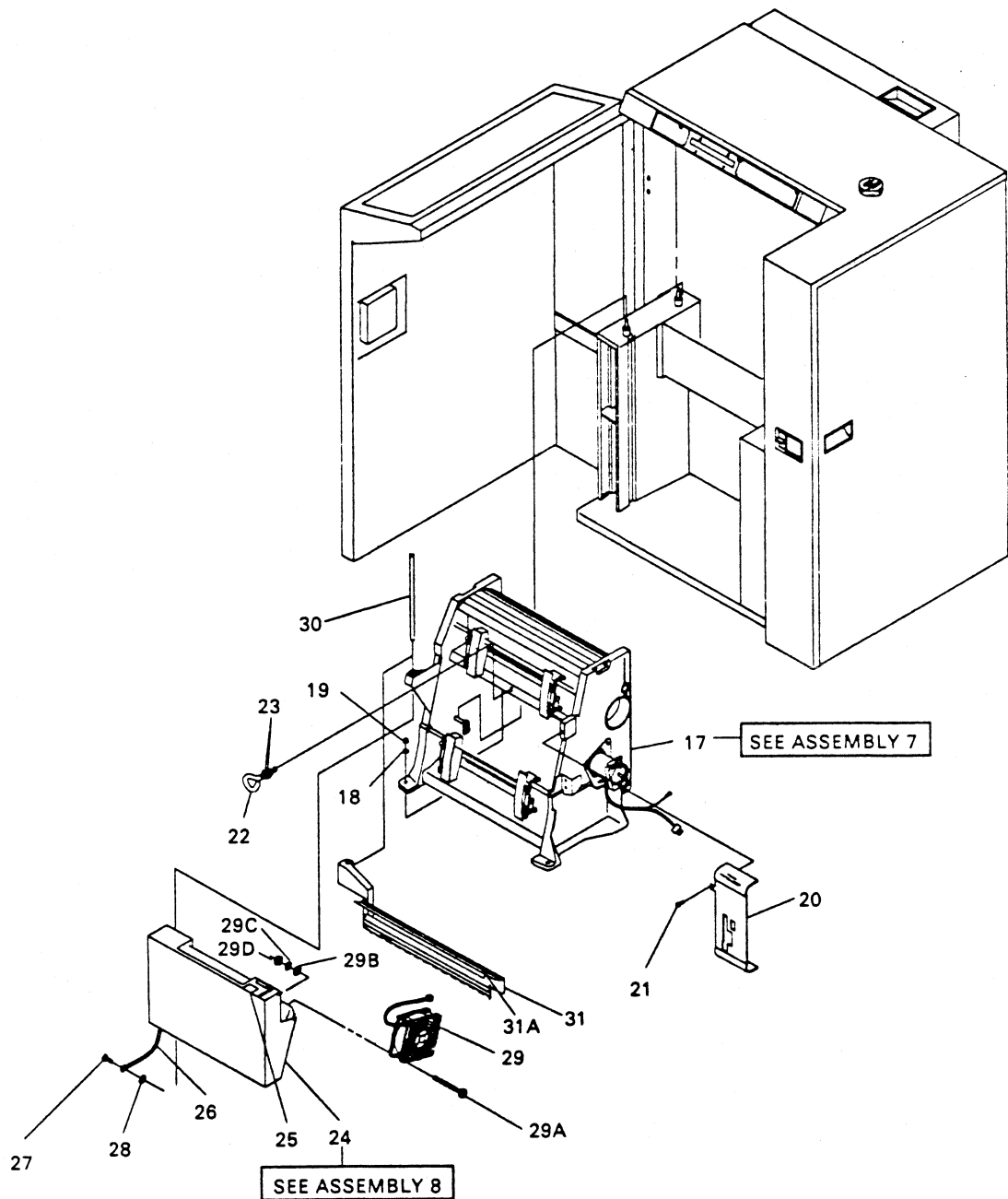
Assembly 4: Stacker Door Assembly



Asm - Index	Part Number	Units	Description
4-	6855003	REF	Door Assembly, Stacker For Next Higher Assembly, see Assembly 1-35.
-1	6855007	NP	• Door Assembly
-2	04F8455	1	• Spring, Conical
-4	1621172	1	• Screw, Slot Pan Hd, M3 X 10mm Long
-5	1622344	1	• Lockwasher, Ext Star, M3 X 0.4 Thk
-6	6855129	1	• Bracket
-7	6855109	1	• Latch
-8	6855110	1	• Spring
-9	6855130	1	• Nutplate
-10	6855095	2	• Screw, Hex Hd w/Washer, M5 X 13mm Long
-11	6855095	2	• Screw, Hex Hd w/Washer, M5 X 13mm Long
-12	4704851	1	• Tape, Mounting - 1846mm Specify length when ordering.
-13	6855128	1	• Window
-14	6855059	6	• Clip
-15	6855137	1	• Pad, Left
-16	6855117	1	• Seal, Acoustic
-17	6855126	2	• Finger, Ground
-18	6855098	1	• Handle
-19	6855127	2	• Plate, Ground Finger
-20	2549561	4	• Screw, Hex Hd, Thd Form, M3 X 10mm Long
-21	1622344	4	• Lockwasher, Ext Star, M3 X 0.4 Thk
-22	6855138	1	• Pad, Right
-23	6855140	1	• Pad, Lower
-24	6855139	1	• Pad, Upper

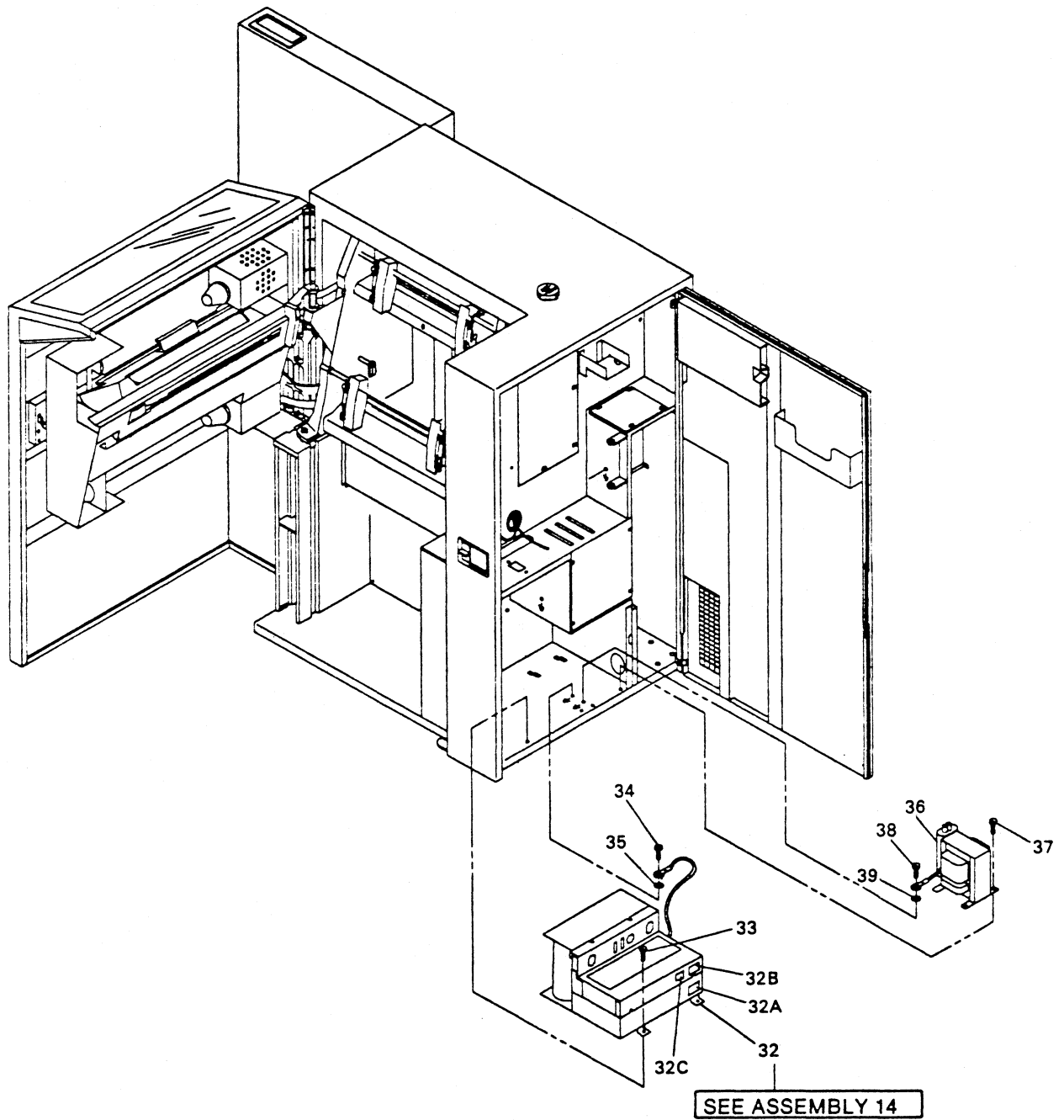
Asm - Index	Part Number	Units	Description
5-	6855700	REF	Final Assembly, 60 HZ - Model 12
-	6855701	REF	Final Assembly, 50 HZ - Model 12
-	4F8643	REF	Final Assembly, 50 HZ - Model 14
-	4F8645	REF	Final Assembly, 60 HZ - Model 14
-1	6855611	NP	• Frame Assembly, Door For Detail Breakdown, see Assembly 1.
-3	6855651	1	• Hammer Unit Assembly For Detail Breakdown, see Assembly 10.
-4	6851979	1	• Spring, Hammer Unit
-5	6854314	2	• Bracket, Hammer Unit Retainer
-6	1622318	2	• Lockwasher, Split, M4, 7.6mm OD X 0.9 Thk
-7	1621192	2	• Screw, Slot Pan Hd, M4 X 12mm Long
-8	5212727	1	• Clamp, Hose
-9	369207	1	• Label, Hazardous Area (English, U.K., Norwegian)
-9	8326799	1	• Label, Hazardous Area (Canada/French)
-9	6855427	1	• Label, Hazardous Area (Brazil/Portuguese)
-9	1696016	1	• Label, Hazardous Area (German)
-9	1696132	1	• Label, Hazardous Area (French)
-9	8326798	1	• Label, Hazardous Area (Spanish)
-9	8326800	1	• Label, Hazardous Area (Italian)
-9	8326801	1	• Label, Hazardous Area (Finland)
-9	8551904	1	• Label, Hazardous Area (Sweden)
-9	8326797	1	• Label, Hazardous Area (Japanese)
-9	1696110	1	• Label, Hazardous Area (French/Dutch)
-9	810977	1	• Label, Hazardous Area (Denmark)
-10	6853490	1	• Strap, Ground - Front Unit to Frame
-11	1621210	2	• Screw, Slot Pan Hd, M5 X 10mm Long Hardware common to both ends of strap
-12	1622347	2	• Lockwasher, Ext Tooth, M5 X 10mm OD Hardware common to both ends of strap
-13	6854367	1	• Guide, Mid-forms (without Barcode Feature)
-13	6854388	1	• Guide, Mid-forms (with Barcode Feature)
-13A	6854391	1	• Interposer (with Barcode Feature)
-14	1621156	4	• Screw, Slot Pan Hd, M3 X 14mm Long
-14A	1622346	4	• Lockwasher, Ext Tooth, M4, 8mm OD X 0.5 Thk
-15	6854345	1	• Strap, Ground - Hammer Assembly See Assembly 10-8 for Ground Strap Attach.
-16	518611	1	• Strap, Ground - Hammer Assembly Frame

Assembly 5: (continued)



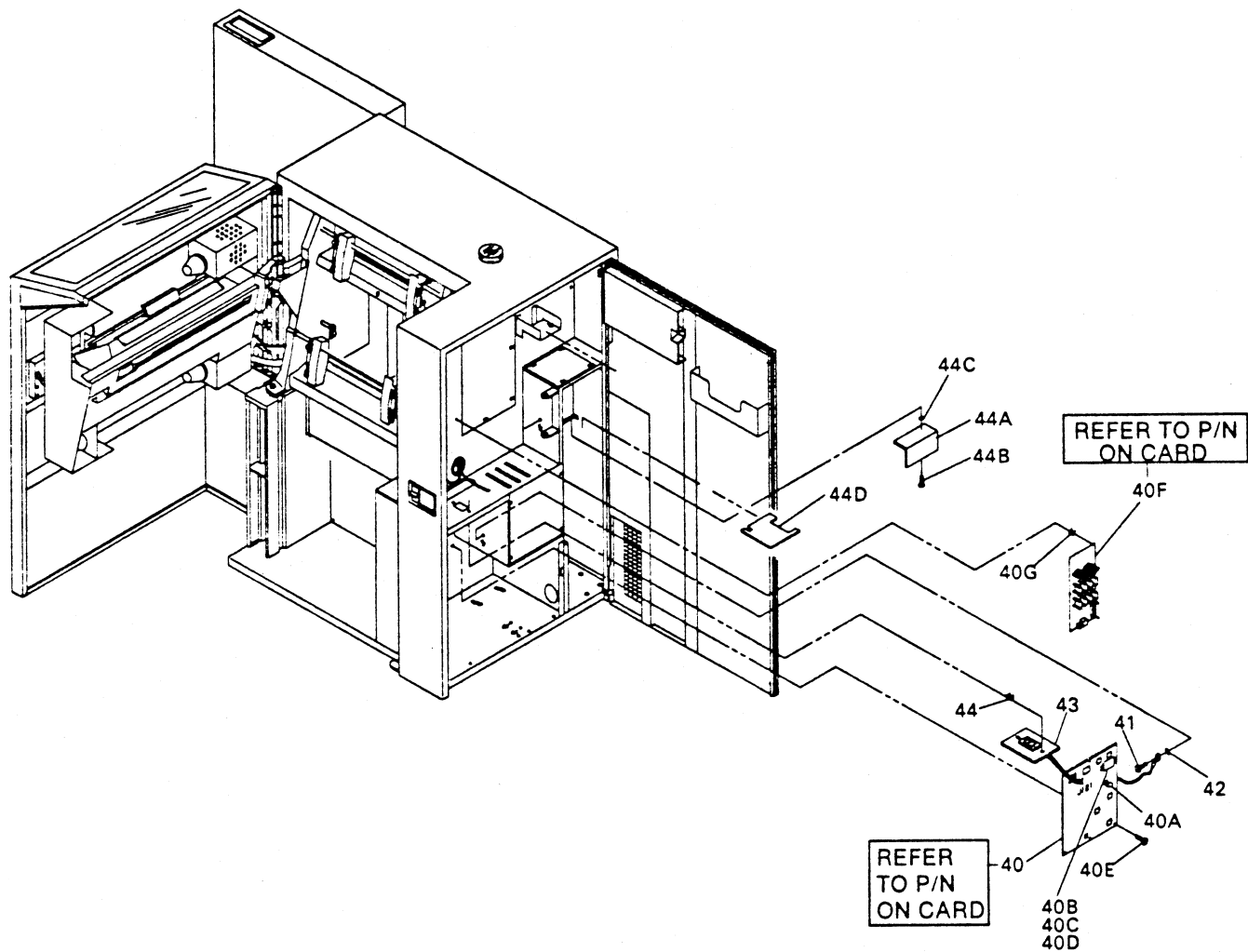
Asm - Index	Part Number	Units	Description
5-17	6855641	NP	• Carriage Assembly, 50/60 HZ (Model 12)
-17	4F7741	NP	• Carriage Assembly, 50/60 HZ (Model 14) For Detail Breakdown, see Assembly 7.
-18	1622307	4	• Washer, Flat, M8 X 17mm OD
-19	4564	4	• Nut, Hex, 0.312-18, 0.500 Fl W
-20	6852102	1	• Cover, Tractor Belt - Model 12
-20	4F7745	1	• Cover, Tractor Belt - Model 14
-21	1624777	2	• Screw, Hex Hd, M5 X 10mm Long
-22	6854334	1	• Screw, Shipping
-23	1622404	2	• Nut, Double Chamfer Hex, M5 X 4.7mm Thk
-24	6855661	1	• Front Unit Assembly, 60 HZ
-24	6855760	1	• Front Unit Assembly, 50 HZ For Detail Breakdown, see Assembly 8.
-25	6855421	1	• Label, Noise Exposure (All Languages)
-26	6853490	1	• Strap, Ground - Front Unit to Carriage Asm
-27	1621210	2	• Screw, Slot Pan Hd, M5 X 10mm Long Hardware common to both ends of strap
-28	1622347	2	• Lockwasher, Ext Tooth, M5 X 10mm OD Hardware common to both ends of strap
-29	4F8345	1	• Fan Assembly, 50/60 Hz - Model 14 only
-29A	1621151	2	• Screw, Slot Pan Hd, M3, 60mm Long
-29B	1622303	2	• Washer, Flat, M3.5, 8mm OD X 0.5 Thk
-29C	1622316	2	• Lockwasher, Split, M3, 6.2mm OD X 0.8 Thk
-29D	1622401	2	• Nut, Double Chamfer Hex, M3 X 2.4mm Thk
-30	6854625	1	• Pin, Swing Frame Unit
-31	6854615	1	• Shield Assembly, Ribbon
-31A	1794806	1	• • Label, Position Indicator

Assembly 5: (continued)



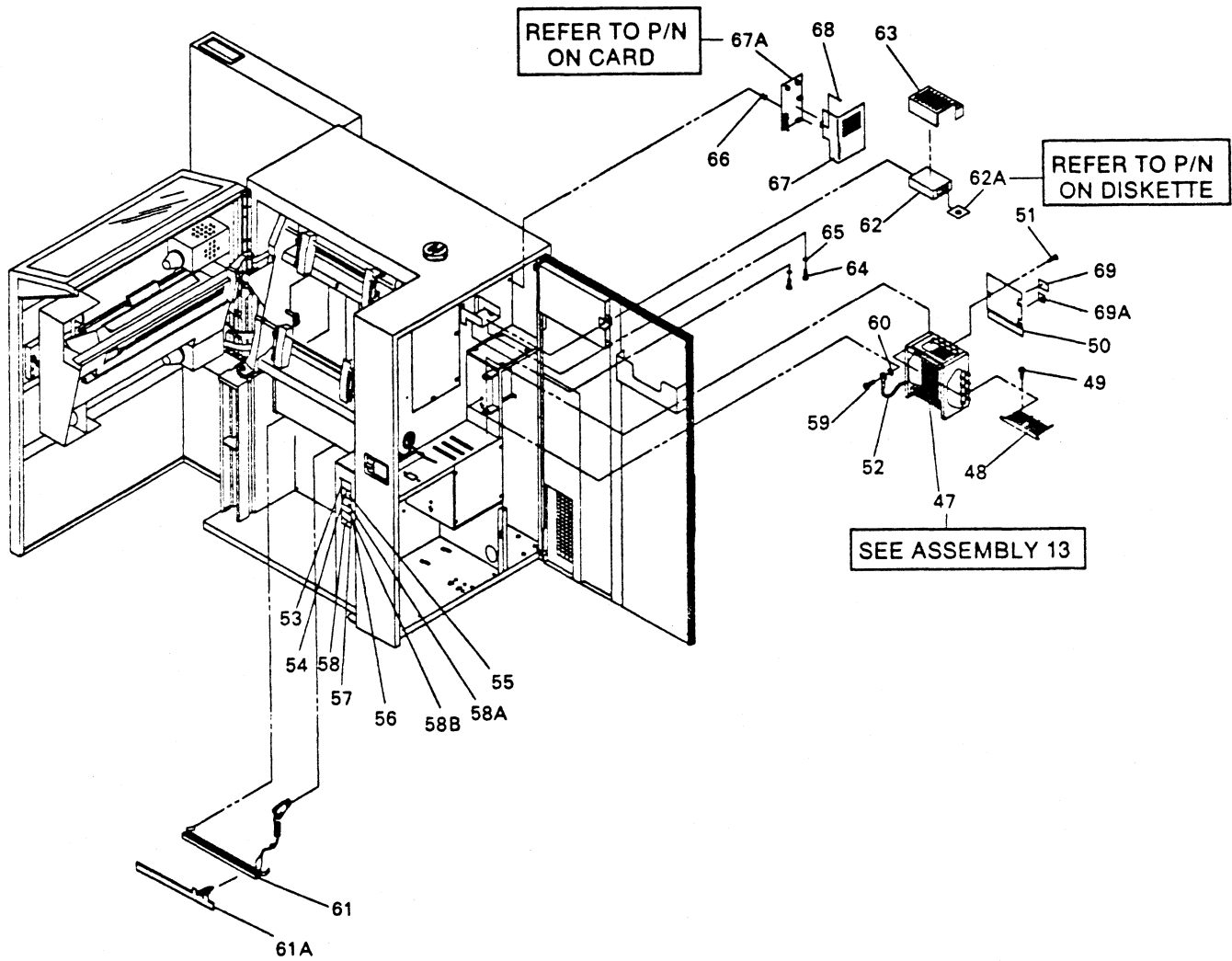
Asm - Index	Part Number	Units	Description
5-32	839020	REF	• Chassis Assembly, Primary Power, 50/60 HZ, 100-110V/18A (AFE)
-32	839021	REF	• Chassis Assembly, Primary Power, 50/60 HZ, 120-127V/15A (US, Canada and AFE)
-32	839022	REF	• Chassis Assembly, Primary Power, 50/60 HZ, 200/240V/10A (US, Canada, EMEA and AFE) Replacement of these assemblies is not recommended. See Assembly 14 for breakdown of individual parts.
-32A	984117	1	• Label, Replace Fuse
-32B	845762	1	• Label, Machine Wired For (English, U.K. and Norwegian)
-32B	403131	1	• Label, Machine Wired For (Brazil/Portugal)
-32B	6815195	1	• Label, Machine Wired For (German)
-32B	6815192	1	• Label, Machine Wired For (French)
-32B	6812823	1	• Label, Machine Wired For (Spanish)
-32B	6815191	1	• Label, Machine Wired For (Italian)
-32B	6825864	1	• Label, Machine Wired For (Finland)
-32B	8551907	1	• Label, Machine Wired For (Sweden)
-32B	6825867	1	• Label, Machine Wired For (Japanese)
-32B	5685247	1	• Label, Machine Wired For (French/Dutch)
-32B	810983	1	• Label, Machine Wired For (Denmark)
-32B	6812825	1	• Label, Machine Wired For (Canada/French)
-32C	138755	1	• Label, Voltage Present (English, U.K.)
-32C	403136	1	• Label, Voltage Present (Norwegian)
-32C	984123	1	• Label, Voltage Present (Canada/French)
-32C	6815188	1	• Label, Voltage Present (Brazil/Portugal)
-32C	6825819	1	• Label, Voltage Present (German)
-32C	6815187	1	• Label, Voltage Present (French)
-32C	6825821	1	• Label, Voltage Present (Spanish)
-32C	6825820	1	• Label, Voltage Present (Italian)
-32C	6825818	1	• Label, Voltage Present (Finland)
-32C	8551903	1	• Label, Voltage Present (Sweden)
-32C	6825840	1	• Label, Voltage Present (Japanese)
-32C	6121851	1	• Label, Voltage Present (French/Dutch)
-32C	810984	1	• Label, Voltage Present (Denmark)
-33	6855095	2	• Screw, Hex Hd w/Washer, M5 X 13mm Long
-34	1621191	1	• Screw, Slot Pan Hd, M4, 10mm Long
-35	1622346	1	• Lockwasher, Ext Star, M4, 8mm OD X 0.5 Thk
-36	838981	1	• Ferro, 100-127V/60 HZ
-36	838982	1	• Ferro, 200-240V/60 HZ
-36	838983	1	• Ferro, 100-127V/50 HZ
-36	838984	1	• Ferro, 200-240V/50 HZ
-37	6855095	2	• Screw, Hex Hd w/Washer, M5 X 13mm Long
-38	1621191	1	• Screw, Slot Pan Hd, M4, 10mm Long
-39	1622346	1	• Lockwasher, Ext Star, M4, 8mm OD X 0.5 Thk

Assembly 5: (continued)



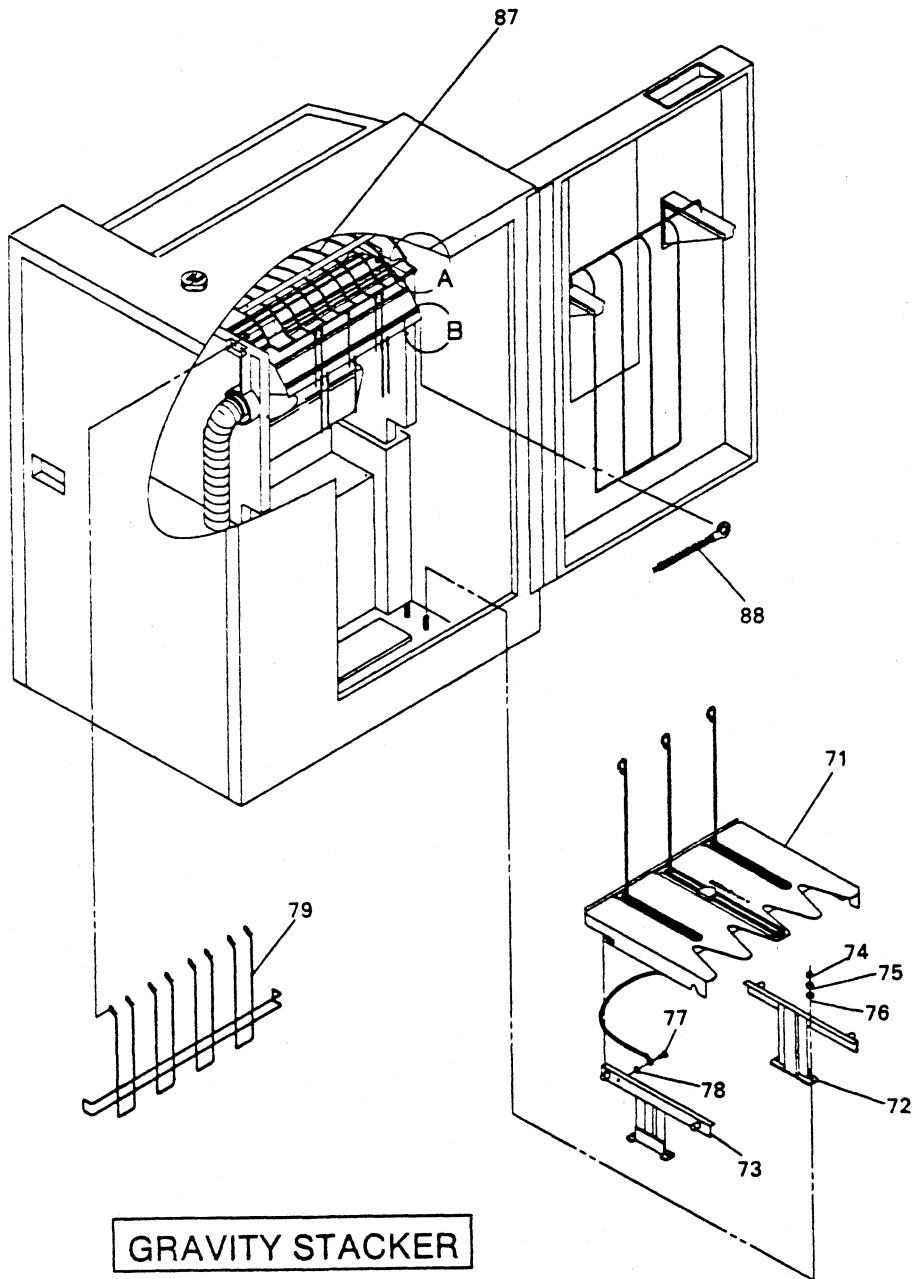
Asm - Index	Part Number	Units	Description
5-40	0000000	1	• Card Assembly, DC Distribution See Card Assembly for part number.
-40A	123786	1	• • Fuse (F105), 5 Amp, 250 Volt
-40B	6932697	1	• • Relay (K102)
-40C	1621171	2	• • Screw, Slot Pan Hd, M3 X 8mm Long
-40D	1622302	2	• • Washer, Flat, M3, 7mm OD X 0.5 Thk
-40E	6855095	4	• Screw, Hex Hd w/Washer, M5 X 13mm Long
-40F	0000000	1	• Card Assembly, Carriage Control See Card Assembly for part number.
-40G	375878	AR	• Plug, Card Mounting
-41	1621191	1	• Screw, Slot Pan Hd, M4 X 10mm Long
-42	1622346	1	• Lockwasher, Ext Star, M4, 8mm OD X 0.5 Thk
-43	6932640	1	• LED Card Assembly, Error Display
-44	375878	REF	• Plug, Card Mounting See Assembly 1-26 for location/quantity.
-44A	6853488	REF	• Cable Asm, Channel Auxiliary Power (Model 014)
-44A	6853491	REF	• Cable Asm, Communication (Model T12 or T14)
-44A	6853497	REF	• Cable Asm, Communication (Model D12 or D14)
-44B	6855095	2	• Screw, Hex Hd w/Washer, M5 X 13mm Long (Model 014)
-44C	1622348	2	• Lockwasher, Ext Star, M6, 11mm OD X 0.7 Thk (Model 014)
-44D	4F8445	1	• Retainer, Channel Cable (Model 014)

Assembly 5: (continued)

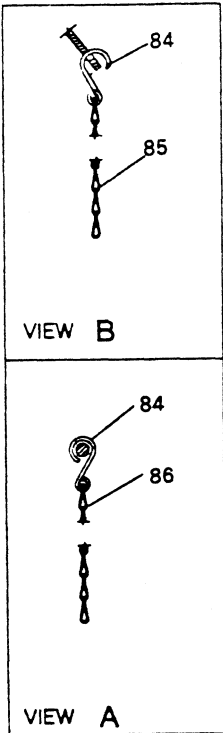


Asm - Index	Part Number	Units	Description
5-47	6855633	1	• Gate Assembly, Logic (Model D12)
-47	6855631	1	• Gate Assembly, Logic (Model T12)
-47	4F8671	1	• Gate Assembly, Logic (Model O14)
-47	4F8672	1	• Gate Assembly, Logic (Model D14)
-47	4F8673	1	• Gate Assembly, Logic (Model T14)
			For Detail Breakdown, see Assembly 13.
-48	6853216	1	• Cover, Top
-49	1621816	1	• Screw, Hex Hd Self Thd, M4 X 25mm Long
-50	6853217	1	• Cover, End
-51	1621813	1	• Screw, Hex Hd Self Thd, M4 X 16mm Long
-52	6853490	1	• Strap, Ground
-53	6855429	1	• Plate, Power, 60HZ (LAD/Asia/Pacific)
-53	6855446	1	• Plate, Power, 60HZ 120V (U.S./Canada)
-53	6855447	1	• Plate, Power, 60HZ 208V/240V (U.S./Canada)
-53	6855424	1	• Plate, Power, 50HZ (EMEA, LAD/Asia/Pacific)
-54	2677389	1	• Plate, Serial Number (Left Hand)
-55	2677390	1	• Plate, Serial Number (Right Hand)
-56	1743359	1	• Label, FCC Requirements (U.S. and Canada)
-56	65X2932	1	• Label, VCCI Requirements (Asia/Pacific)
-57	2677392	1	• Plate, CSA (Canada Standards Association)
-58	6014269	1	• Plate, UL (Underwriter's Laboratory)
-58A	855264	1	• Label, Manufacturing (U.S.)
-58A	5054480	1	• Label, Manufacturing (EMEA)
-58A	6119095	1	• Label, Manufacturing (Asia/Pacific)
-58B	2677385	1	• Label, Trademark (U.S./Canada)
-58B	6170545	1	• Label, Trademark (Asia/Pacific)
-59	1621210	1	• Screw, Slot Pan Hd, M5 X 10mm Long
			Hardware common to both ends of strap
-60	1622347	1	• Lockwasher, Ext Star, M5 X 10mm OD
			Hardware common to both ends of strap
-61	6854337	1	• Bar Assembly, Flight Time
-61A	6854339	1	• Strip Assembly, Flight Time
-62	2682916	1	• Drive Assembly, Diskette
-62A	0000000	1	• Diskette
			See Diskette for part number.
-63	6855089	1	• Cover, Diskette Drive Assembly
-64	1673723	2	• Screw, Hex Hd Cap, M4 X 8mm Long
-65	1622346	2	• Lockwasher, Ext Star, M4, 8mm OD X 0.5 Thk
-66	375878	4	• Plug, Card Mounting - Model 14 only
-67	68X9428	1	• Cover, Power Stacker Card - Model 14
-67A	0000000	1	• Card Assembly, Power Stacker - Model 14
			See Card Assembly for part number.
-68	1621190	2	• Screw, Slot Pan Hd, M4 X 8mm Long
			Used on Model 14 Only.
-69	1597643	1	• Label, Safety (Drop Power)
-69A	4F8885	1	• Label, Safety (PCA Card)

Assembly 5: (continued)

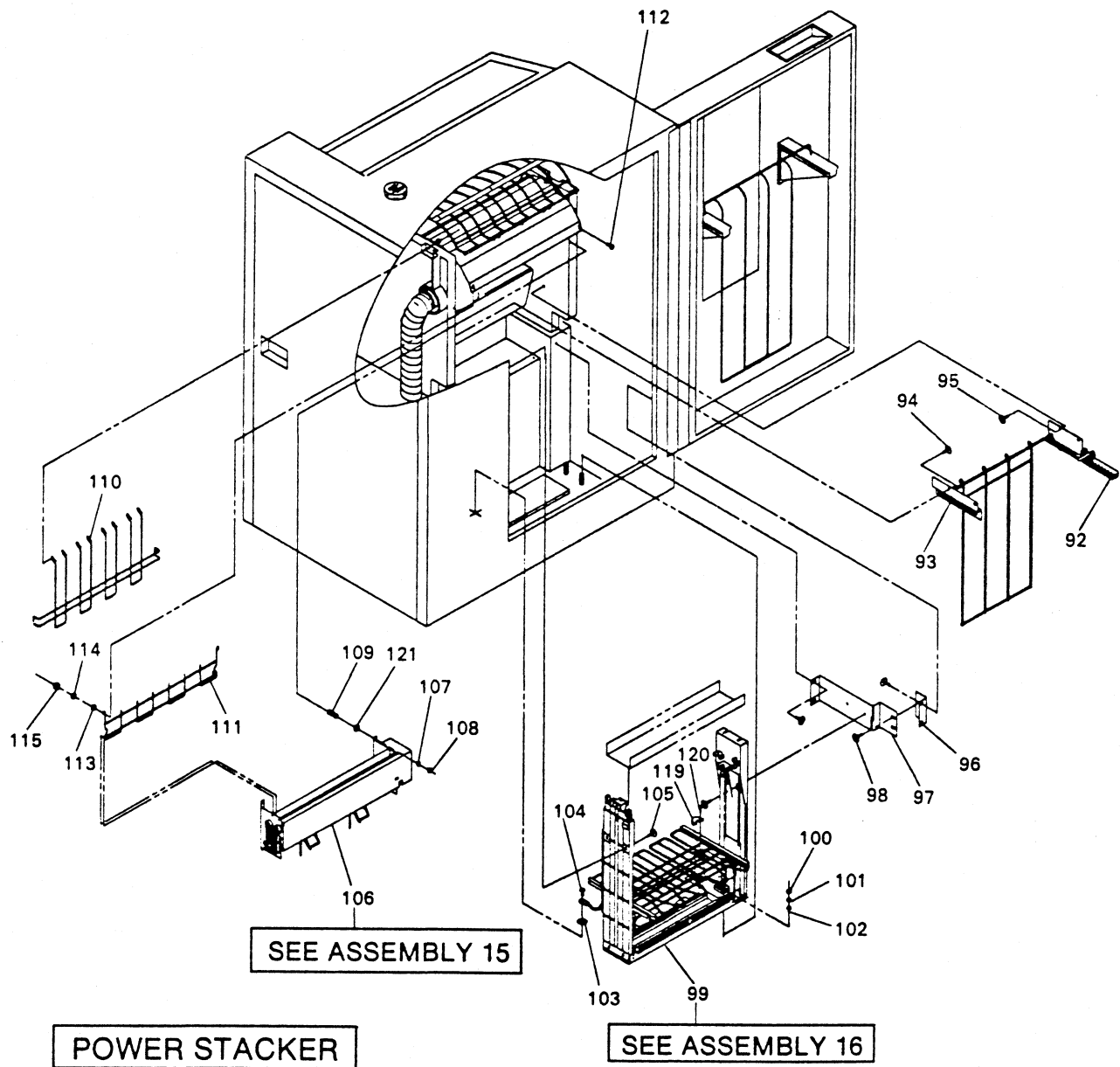


GRAVITY STACKER



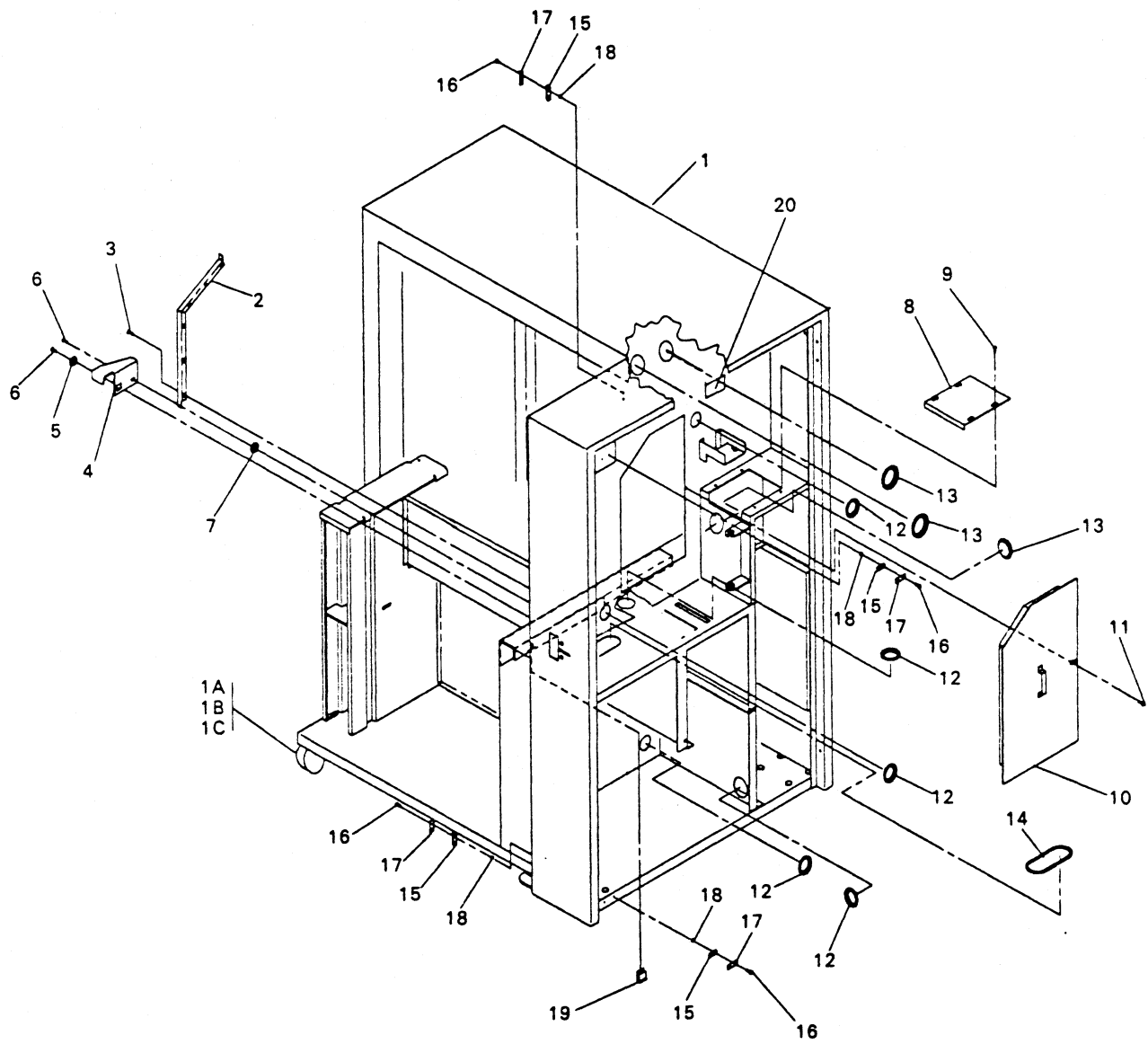
Asm - Index	Part Number	Units	Description
5-71	6855229	1	• Tray Assembly, Stacker
-72	6855219	1	• Bracket, Tray Support (Right)
-73	6855220	1	• Bracket, Tray Support (Left)
-74	1622404	4	• Nut, Double Chamfered Hex, M5 X 4mm Thk
-75	1622319	4	• Lockwasher, Spring, M5, 9.2mm OD X 1.2 Thk
-76	1622305	4	• Washer, Flat, M5, 10mm OD X 1.0 Thk
-77	1621176	1	• Screw, Slot Pan Hd, M3 X 4mm Long
-78	1622344	1	• Lockwasher, Ext Star, M3, 7mm OD X 0.4 Thk
-79	68X9531	1	• Guide, Paper Stacker
-84	1521714	10	• Hook, Chain
-85	6855207	5	• Chain, Stacker (Short)
-86	6855238	5	• Chain, Stacker (Long)
-87	6855103	REF	• Guide, Top Cover See Assembly 1-21 for location.
-88	6855214	1	• Eliminator, Static

Assembly 5: (continued)



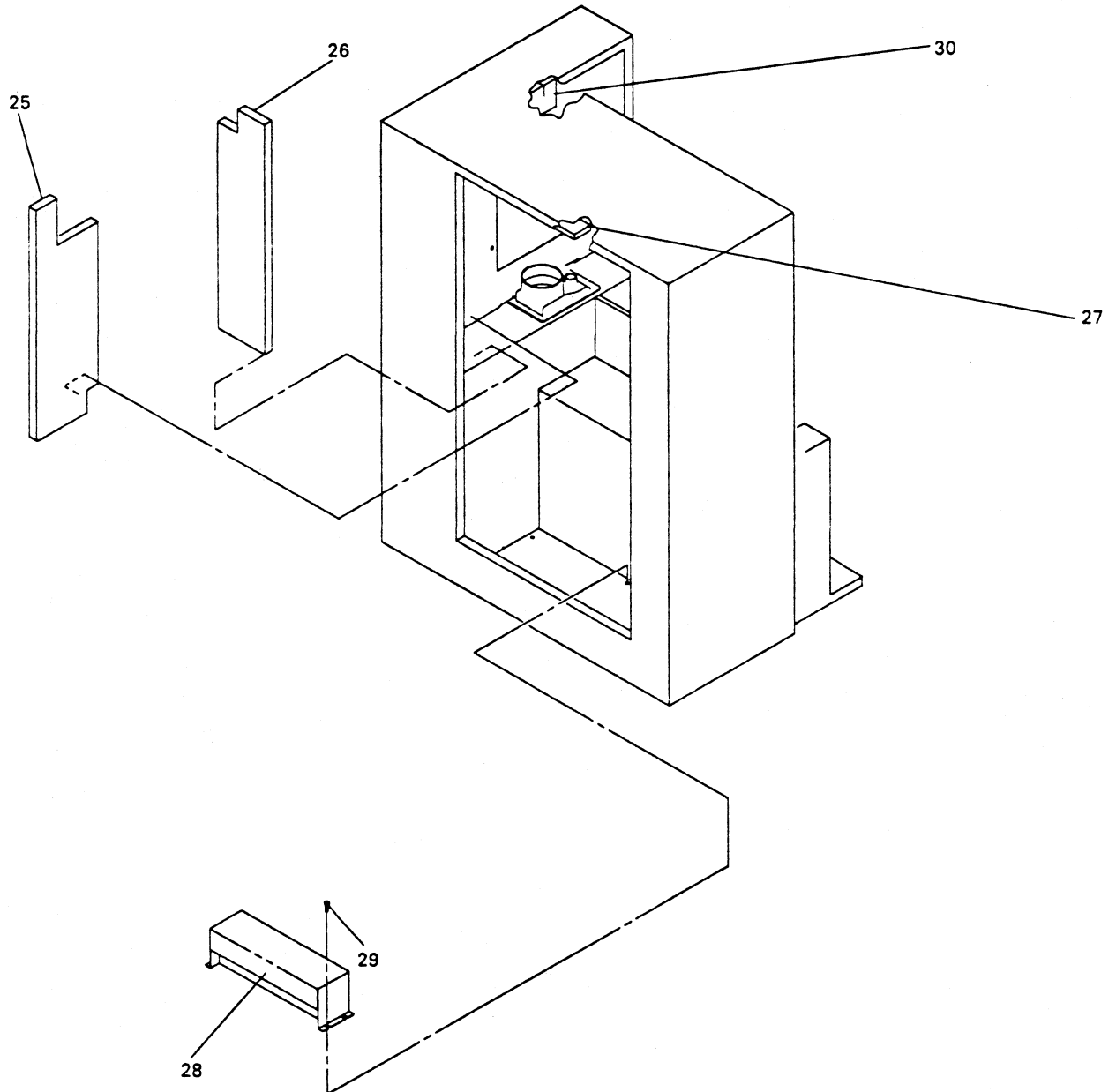
Asm - Index	Part Number	Units	Description
5-92	68X9581	1	• Guide Asm, Inner Forms (Model 14) Prior to EC C14816 (Machines without "8P1" or "8P2" stamped on the inside of right side frame. See comment on Assembly 7-95).
-92	68X9561	1	• Guide Asm, Inner Forms (Model 14) With EC C14816 (Machines with "8P1" or "8P2" stamped on the inside of right side frame. See comment on Assembly 7-95).
-93	68X9583	1	• Bracket, Guide Asm Mount (Model 14) Prior to EC C14816 (Machines without "8P1" or "8P2" stamped on the inside of the right side frame. See comment on Assembly 7-95).
-93	68X9563	1	• Bracket, Guide Asm Mount (Model 14) With EC C14816 (Machines with "8P1" or "8P2" stamped on inside of right side frame. See comment on Assembly 7-95).
-94	6855095	2	• Screw, Hex Hd w/Washer, M5 X 13mm Long (Model 14)
-95	6855095	4	• Screw, Hex Hd w/Washer, M5 X 13mm Long (Model 14)
-96	68X9507	1	• Bracket (Model 14)
-97	68X9540	1	• Bracket (Model 14)
-98	6855095	8	• Screw, Hex Hd w/Washer, M5 X 13mm Long (Model 14)
-99	68X9570	1	• Lift Unit Asm, Power Stacker (Model 14) See Assembly 16 for breakdown.
-100	1622404	3	• Nut, Hex, M5 X 4.7mm Thk (Model 14)
-101	1622319	3	• Lwasher, Spring, M5 X 9.2mm OD (Model 14)
-102	1622305	3	• Washer, Flat, M5 X 10mm OD (Model 14)
-103	1622346	1	• Lwasher, Ext Tooth, M4, 8.5mm OD (Model 14)
-104	1621190	1	• Screw, Slot Pan Hd, M4 X 8mm Long (Model 14)
-105	6855095	2	• Screw, Hex Hd w/Washer, M5 X 13mm Long (Model 14)
-106	68X9612	1	• Feedroll Asm, Power Stacker (Model 14) See Assembly 15 for breakdown.
-107	1622319	4	• Lockwasher, Split, M5, 9.2mm OD (Model 14)
-108	1622404	4	• Nut, Hex, M5 X 4.7mm Thk (Model 14)
-109	1621777	4	• Setscrew, Flat Pt, M5 X 20mm Long (Model 14)
-110	68X9531	1	• Guide, Power Stacker (Model 14)
-111	68X9549	1	• Guide, Power Stacker (Model 14)
-112	1621211	2	• Screw, Slot Pan Hd, M5 X 12mm Long (Model 14) Prior to EC C14816 (Machines without "8P1" or "8P2" stamped on the inside of right side frame. See comment on Assembly 7-95).
-113	1622305	2	• Washer, Flat, M5 X 10mm OD (Model 14)
-114	1622319	2	• Lwasher, Spring, M5 X 9.2mm OD (Model 14)
-115	1622404	2	• Nut, Hex, M5 X 4.7mm Thk (Model 14)
-119	68X9556	1	• Cover, Motor (Model 14)
-120	1621197	2	• Screw, Slot Pan Hd, M4 X 6mm Long (Model 14)
-121	1622347	4	• Lockwasher, Ext Tooth, M5 X 10mm Long (Model 14)

Assembly 6: Lower Structure Assembly



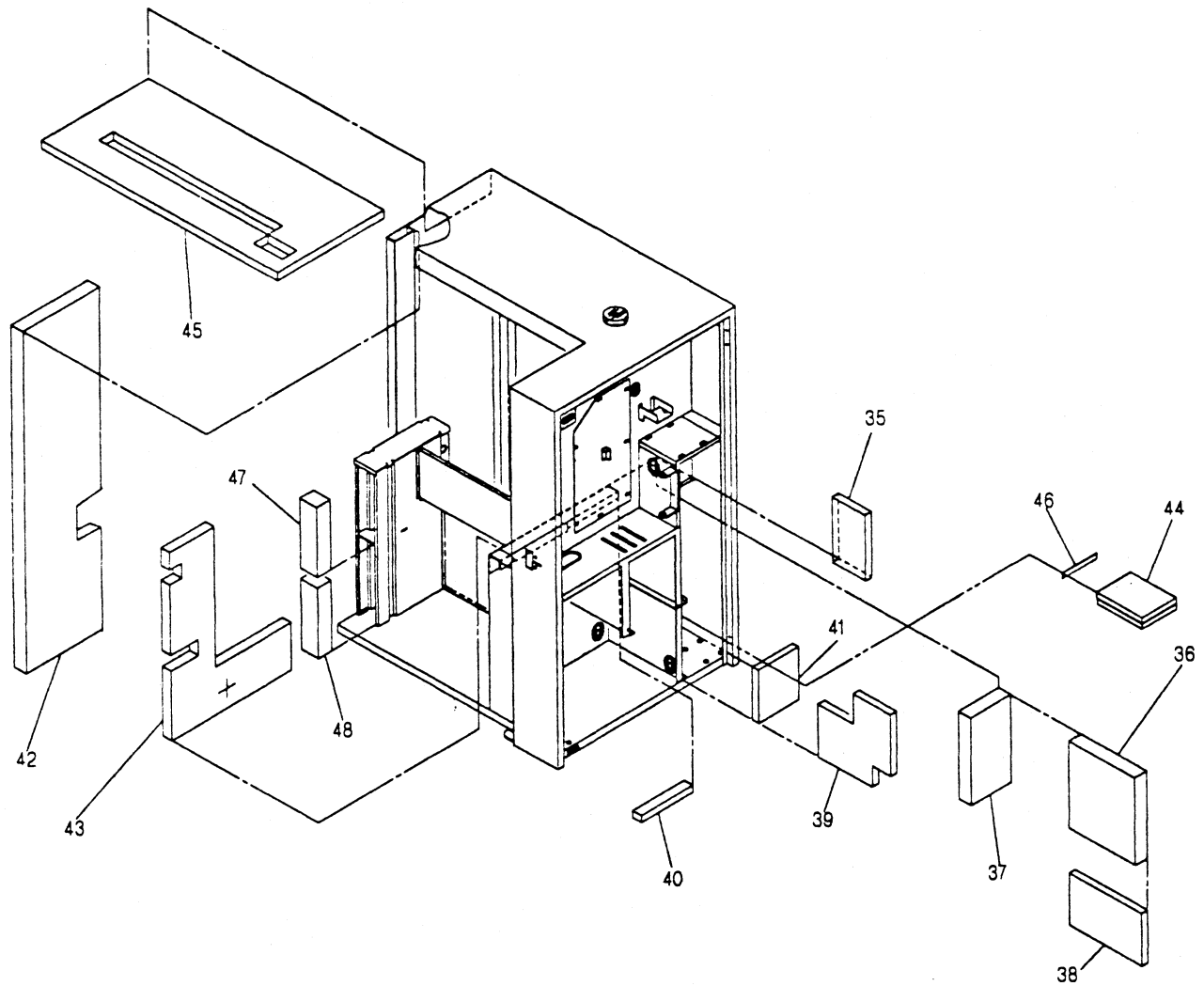
Asm - Index	Part Number	Units	Description
6-	6855000	REF	Lower Structure Assembly For Next Higher Assembly, see Assembly 1-31.
-1	6855005	NP	• Frame, Printer
-1A	513271	4	• • Caster
-1B	1622320	16	• • Lockwasher, Split, M6, 11.8mm OD X 1.6 Thk
-1C	1622405	16	• • Nut, Double Chamfer Hex, M6 X 5.2mm Thk
-2	6855008	1	• Bracket
-3	6855161	6	• Screw, Hex Hd w/Washer, M5 X 8.5mm Long
-4	6855017	1	• Catch
-5	1622293	1	• Washer, Flat, M8, 32mm OD X 2 Thk
-6	6855161	2	• Screw, Hex Hd w/Wshr, M5 X 8.5mm Long
-7	1622348	1	• Lockwasher, Ext Star, M6, 11mm OD X 0.7 Thk
-8	6855051	1	• Cover (Models D12, D14, T12 and T14)
-9	1621081	4	• Screw, Slot Cheese Hd, M5 X 12mm Long Models D12, D14, T12 and T14
-10	6855074	1	• Cover Assembly
-11	1624766	AR	• Screw, Hex Hd Flange, M4 X 10mm Long
-12	6855071	5	• Grommet
-13	6855096	3	• Grommet
-14	4435637	1	• Grommet, 390mm Long
-15	6855126	4	• Finger, Ground
-16	2549561	8	• Screw, Hex Hd, Thd Form, M3 X 10mm Long
-17	6855127	4	• Plate, Ground Finger Mounting
-18	1622344	8	• Lockwasher, Ext Star, M3, 7mm OD X 0.4 Thk
-19	6855113	3	• Clip
-20	6119508	1	• Label, 60 Volts (Model 14)

Assembly 6: (continued)



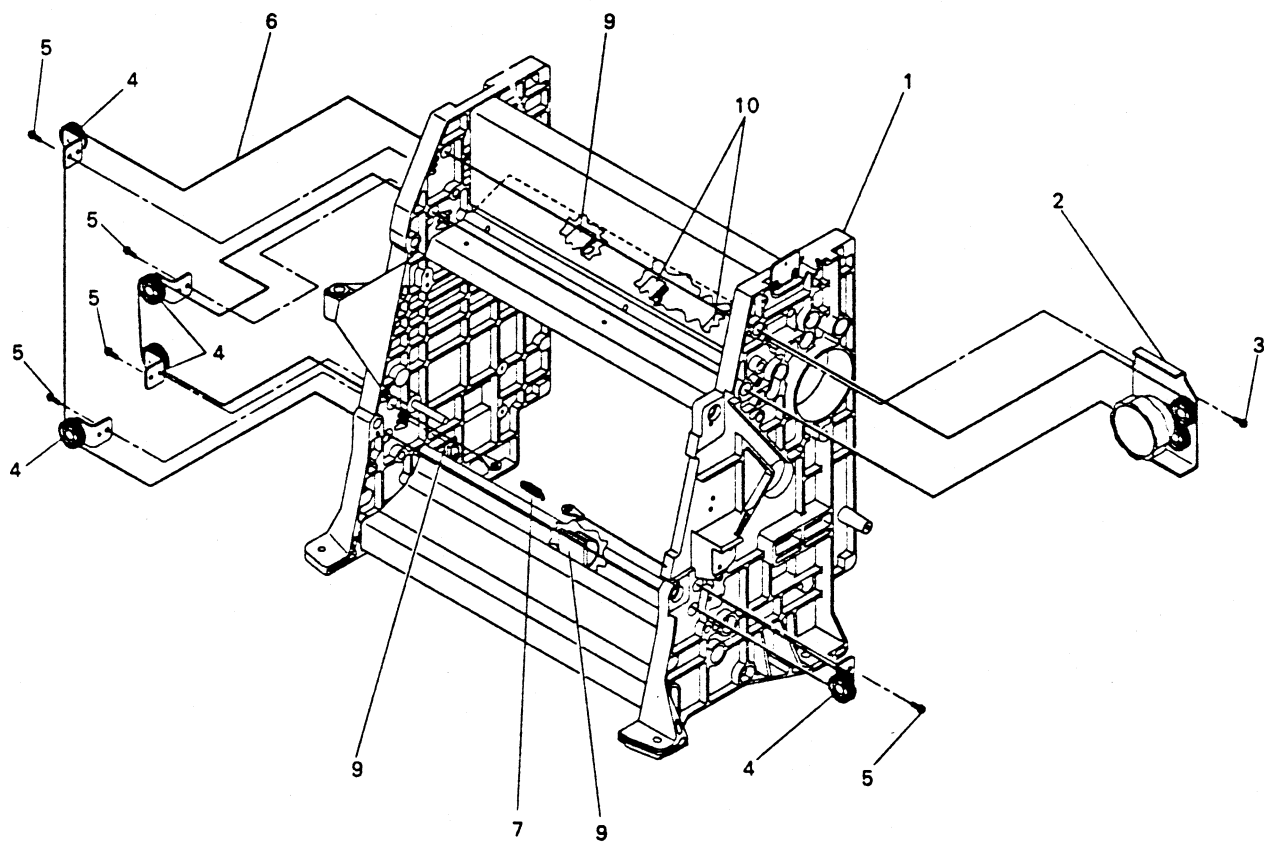
Asm - Index	Part Number	Units	Description
6-25	6855072	1	• Pad, Right Upper Side
-26	6855073	1	• Pad, Right Upper Rear
-27	6855105	1	• Pad, Center Top Rear
-28	6855032	1	• Bracket Assembly, Exhaust
-29	6855161	4	• Screw, Hex Hd w/Wshr, M5 X 8.5mm Long
-30	6855112	1	• Pad

Assembly 6: (continued)



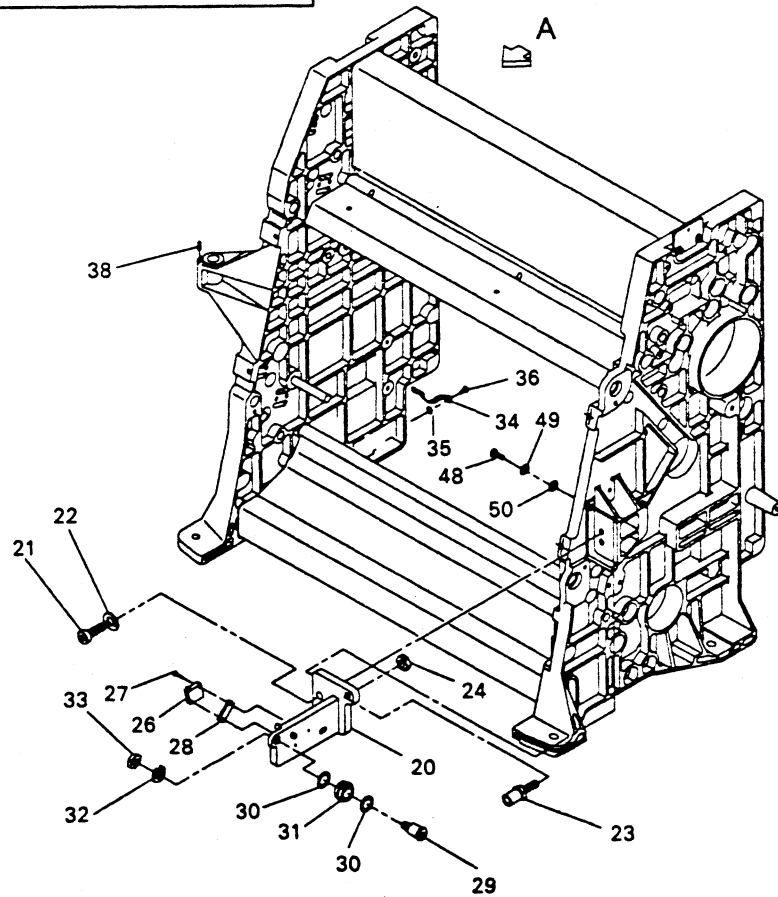
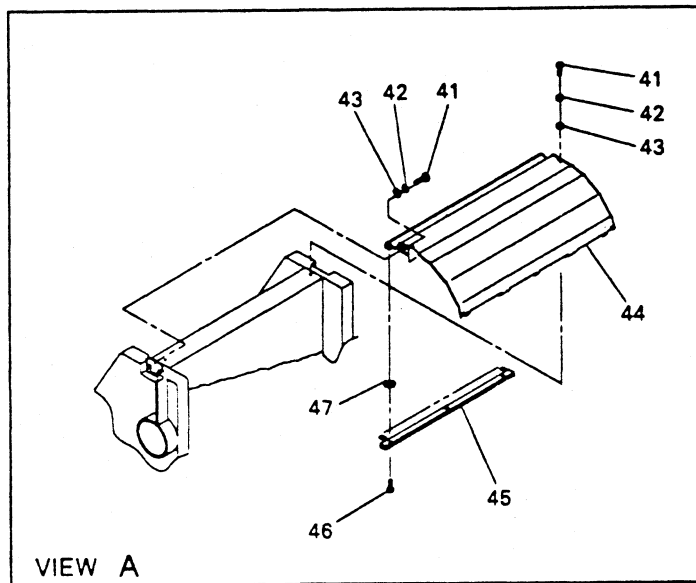
Asm - Index	Part Number	Units	Description
6-35	6855148	1	• Pad, Top Right
-36	6855145	1	• Pad, Center Right
-37	6855146	1	• Pad, Center Middle
-38	6855147	1	• Pad, Bottom Right
-39	6855037	1	• Pad, Bottom Left
-40	6855084	1	• Pad, Blower Compartment
-41	6855142	1	• Pad, Bottom Middle
-42	6855149	1	• Pad
-43	6855049	1	• Pad
-44	6855143	1	• Baffle Assembly (Model 12)
-45	6855048	1	• Pad
-46	6855154	1	• Tape (Model 12)
-47	6855160	1	• Pad
-48	6855160	1	• Pad

Assembly 7: Carriage Assembly



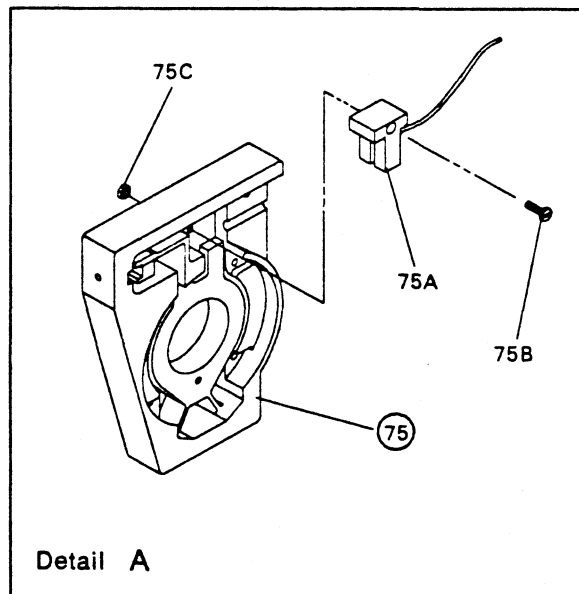
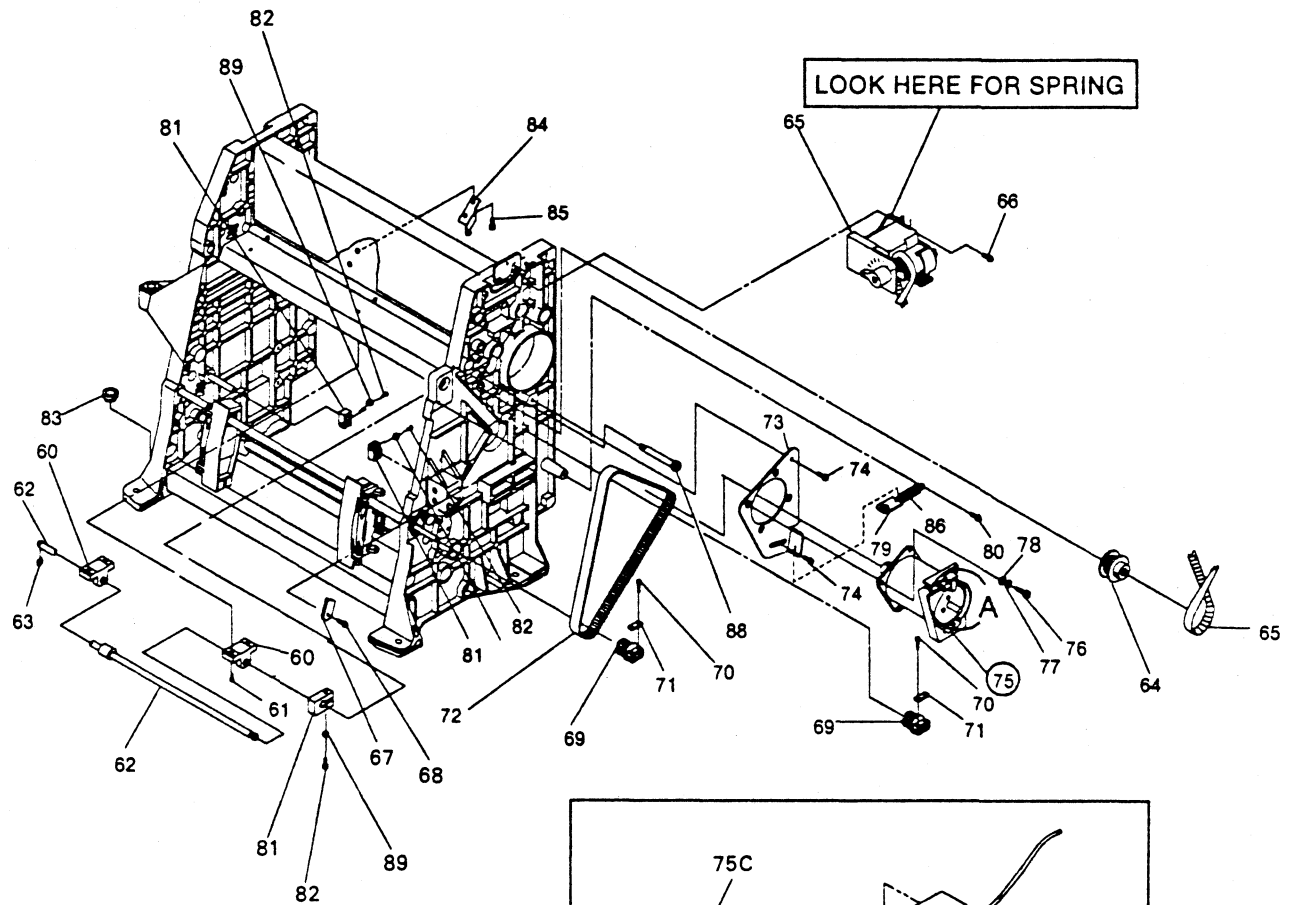
Asm - Index	Part Number	Units	Description
7-	6855641	REF	Carriage Assembly, 50/60 HZ (Model 12)
-	4F7741	REF	Carriage Assembly, 50/60 HZ (Model 14)
			For Higher Assembly, see Assembly 5-17.
			For Cables, see Assembly 17-102.
-1	6854880	NP	• Frame Assembly, Print Unit
-2	6852044	1	• Knob Assembly
-3	1624778	2	• Screw, Hex Hd, M5 X 12mm Long
-4	6852043	5	• Pulley Assembly
-5	1624778	5	• Screw, Hex Hd, M5 X 12mm Long
-6	6852011	2	• Cable Assembly, Vernier Drive
-7	6852007	2	• Spring, Vernier
-9	2513270	3	• Clamp, Cable
-10	1310209	2	• Clamp, Cable

Assembly 7: (continued)



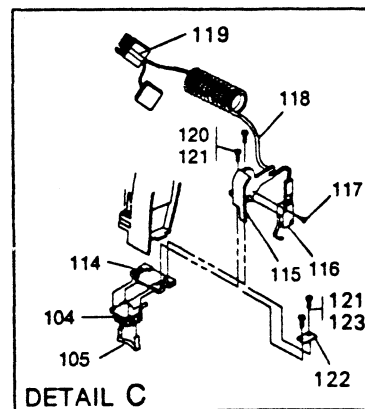
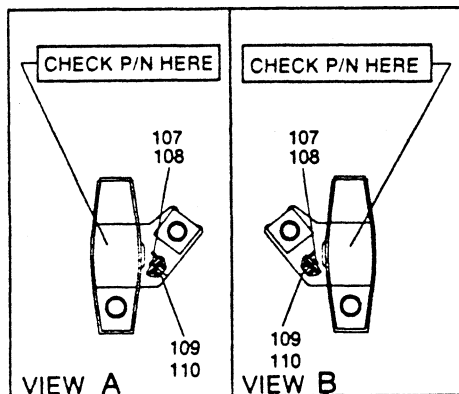
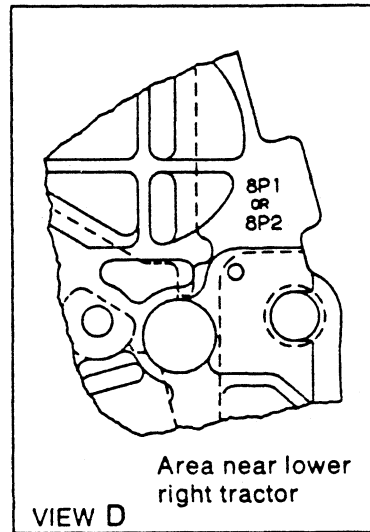
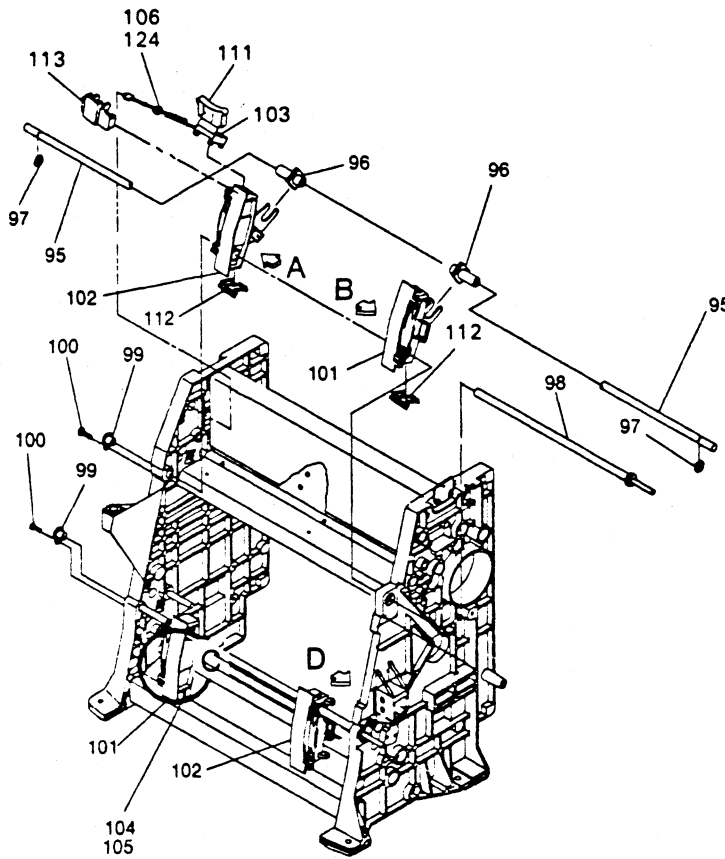
Asm - Index	Part Number	Units	Description
7-20	6852061	1	• Bracket, Latch
-21	1621488	2	• Screw, Cap Soc Hd, M8, 35mm Long
-22	1622321	2	• Lockwasher, Spring, M8, 14.8mm OD X 2.0 Thk
-23	6854684	1	• Stop/Bumper Assembly, Front Gate
-24	1622406	1	• Nut, Double Chamfer Hex, M8 X 13mm Thk
-26	4590143	1	• Switch, Interlock
-27	1621025	2	• Screw, Slot Cheese Hd, M3, 20mm Long
-28	6852046	1	• Spacer, Switch Latch Bracket
-29	6854632	1	• Eccentric, Ramp Bearing
-30	1897178	2	• Washer, Roll Support
-31	1897191	1	• Roll
-32	1622321	1	• Lockwasher, Spring, M8, 14.8mm OD X 2.0 Thk
-33	1622437	1	• Nut, Hex, M8
-34	518611	1	• Jumper Assembly, Ground
-35	1622347	1	• Lockwasher, Ext Tooth, M5 X 10mm OD
-36	1621860	1	• Screw, Thd Form Pan Hd, M5 X 10mm Long
-38	378172	1	• Setscrew, M5
-41	1621211	2	• Screw, Slot Pan Hd M5, 12mm Long On early machines, both screws fasten from the top.
-42	1622319	2	• Lockwasher, Spring, M5, 9.2mm OD X 1.2 Thk On early machines, both lockwashers fasten from the top.
-43	1622305	2	• Washer, Flat, M5, 10mm OD X 1.0 Thk On early machines, both washers fasten from the top.
-44	6852095	1	• Guide, Upper Paper
-45	66X3278	1	• Brush, Static Eliminator
-46	1621170	3	• Screw, Slot Pan Hd, M3 X 6mm Long
-47	1622344	3	• Lockwasher, Ext Star, M3 X 0.4mm Thk
-48	1621527	1	• Screw, Soc Hd, M6 X 16mm Long
-49	1622261	1	• Lockwasher, Split, M6, 9.9mm OD X 1.6 Thk
-50	1622306	1	• Washer, Flat, M6, 12.5mm OD X 1.6 Thk

Assembly 7: (continued)



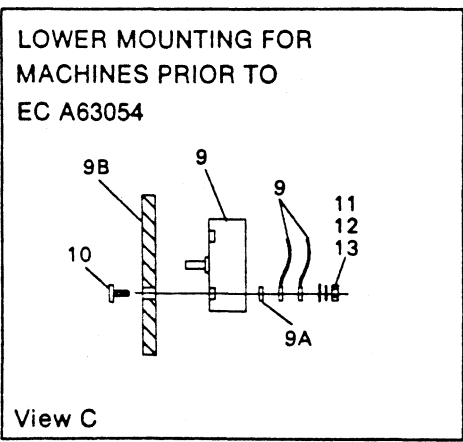
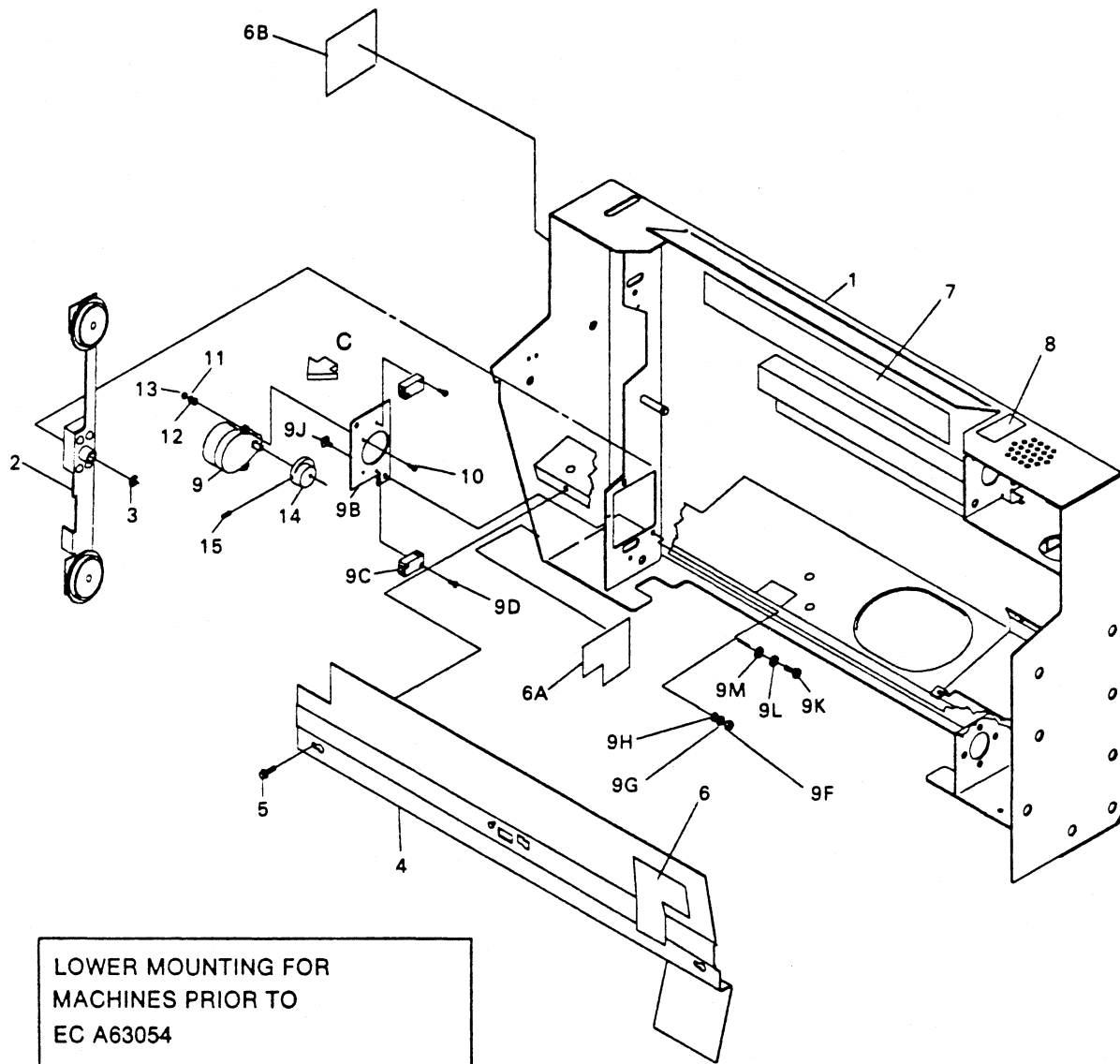
Asm - Index	Part Number	Units	Description
7-60	6851977	2	• Block, Bearing
-61	1621521	4	• Screw, Cap Soc Hd, M5, 20mm Long
-62	6852015	1	• Shaft Assembly, Throat Cam
-63	237245	1	• Ring, Retaining Ext, 0.300 ID X 0.035 Thk
-64	6852013	1	• Pulley Pulley is supplied with Socket Hd Screw
-65	6852040	1	• Control Assembly, Forms Thickness These assemblies do not have an external extension spring on the rear of the assembly.
-65	6852045	1	• Control Assembly, Forms Thickness These assemblies do have an external extension spring on the rear of the assembly.
-66	1624778	2	• Screw, Hex Hd, M5 X 12mm Long
-67	6852105	2	• Retainer, Bearing
-68	1621211	2	• Screw, Slot Pan Hd, M5 X 12mm Long
-69	6851974	2	• Pulley, Tractor Drive (Driven) - Model 12
-69	4F7752	2	• Pulley, Tractor Drive (Driven) - Model 14
-70	1621513	4	• Screw, Cap Soc Hd, M4 X 20mm Long
-71	6851911	2	• Plate, Washer
-72	6851871	1	• Belt, Tractor Drive - Model 12
-72	4F7698	1	• Belt, Tractor Drive - Model 14
-73	6851908	1	• Plate, Tractor Drive Motor
-74	1624778	2	• Screw, Hex Hd, M5 X 12mm Long
-75	6851865	1	• Motor Assembly, Tractor Drive - Model 12
-75	4F7694	1	• Motor Assembly, Tractor Drive - Model 14
-75A	6212748	1	• • Sensor Asm, Carriage Drive Emitter
-75B	1621026	1	• • Screw, Slot Cheese Hd, M3 X 25mm Long
-75C	1622316	1	• • Nut-Lock, M3
-76	1621520	AR	• Screw, Cap Soc Hd, M5 X 16mm Long
-77	1622260	AR	• Lockwasher, Split, 5.1mm ID X 8.6 OD
-78	1622305	AR	• Washer, Flat, M5, 10mm OD X 1.0 Thk
-79	6851909	1	• Plate, Tensioner
-80	1624778	1	• Screw, Hex Hd, M5 X 12mm Long
-81	6851936	3	• Clamp
-82	1621521	3	• Screw, Cap Soc Hd, M5 X 20mm Long
-83	6854521	1	• Washer, Thrust
-84	6851980	1	• Bracket
-85	1624777	2	• Screw, Hex Hd, M5 X 10mm Long
-86	6851907	1	• Spring, Tensioner
-88	1621238	1	• Screw, Pan Hd, M6 X 50mm Long
-89	1622305	3	• Washer, Flat, M5, 10mm OD X 1.0 Thk

Assembly 7: (continued)



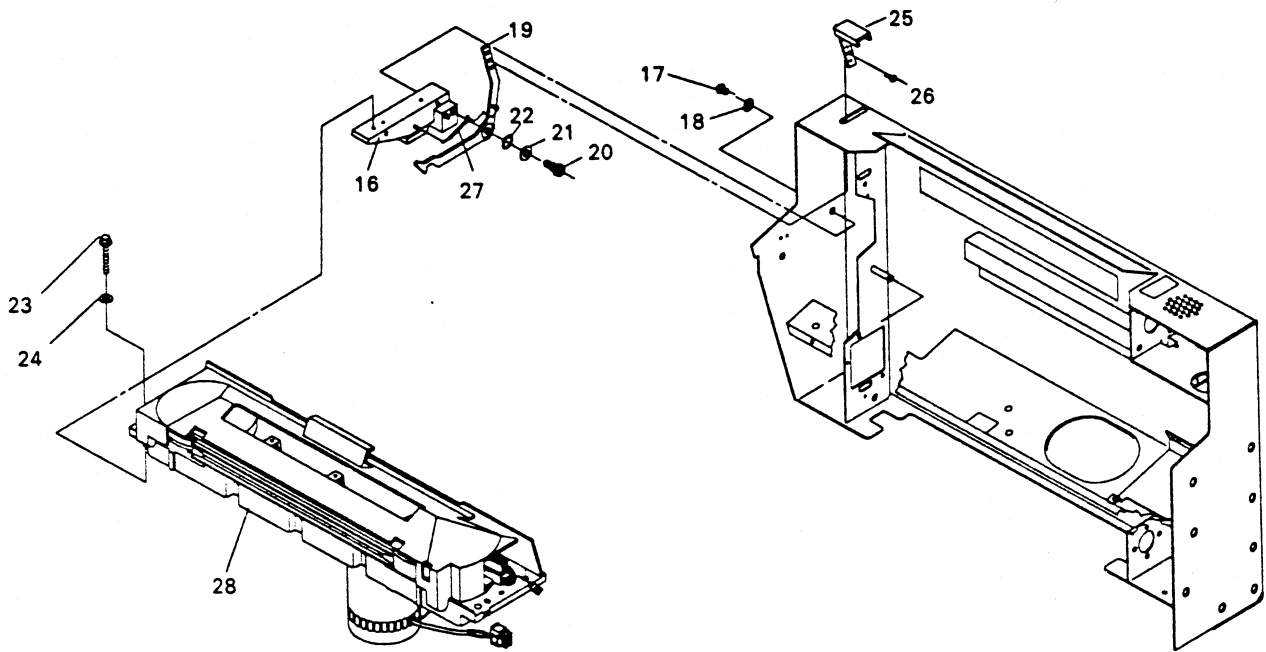
Asm - Index	Part Number	Units	Description
7-95	6852113	2	• Shaft, Tractor Guide (Prior to EC C14816. Machines without this EC do not have "8P1" or "8P2" stamped on inside of right side frame. See View D).
-95	6852094	2	• Shaft, Tractor Guide (With EC C14816. Machines with this EC have "8P1" or "8P2" stamped on inside of right side frame. See View D).
-96	6852076	4	• Bushing, Guide Shaft
-97	1126838	4	• Clip, Retaining
-98	6851988	2	• Shaft Assembly, Tractor
-99	6851945	2	• Bushing, Tractor Shaft
-100	1624778	2	• Screw, Hex Hd, M5 X 12mm Long
-101	0000000	2	• Tractor Assembly, Upper Right/Lower Left Note - Model 12 and 14 Tractor part numbers are different. See Tractor Plate on side of Tractor for part number. See View B.
-102	0000000	2	• Tractor Assembly, Upper Left/Lower Right Note - Model 12 and 14 Tractor part numbers are different. See Tractor Plate on side of Tractor for part number. See View A.
-103	6852079	1	• Sensor Assembly - Jam
-104	6852033	1	• Sensor Assembly - EOF
-105	6852056	1	• Spring, Sensor Mounting
-106	1138167	2	• Grommet, Cable
-107	1621587	4	• Screw, Hex Hd Cap, M4 X 16mm Long
-108	1622304	4	• Washer, Flat, M4, 9.0mm OD X 0.8 Thk
-109	6852030	4	• Clamp
-110	1622417	4	• Nut, Lock, Hex, M4 X 5.0mm Thk
-111	6852056	1	• Spring, Sensor Mounting
-112	6851913	2	• Clip
-113	6852077	1	• Cover, Upper Left Tractor Door
-114	6852083	1	• Adapter, Sensor (EOF)
-115	6852082	1	• Housing, BBF/EOF Switch (WT Germany Only)
-116	6852100	1	• Switch, BBF/EOF (WT Germany Only)
-117	1621174	1	• Screw, Slot Pan Hd, M3 X 16mm Long - BBF/EOF (WT Germany Only)
-118	6852101	1	• Cable Assembly - BBF/EOF Switch (WT Germany Only)
-119	6095844	1	• Retainer, Cable, BBF/EOF (WT Germany Only)
-120	1621171	2	• Screw, Pan Hd - M3 X 8 Long BBF/EOF (WT Germany Only)
-121	1622316	2	• Lockwasher, Spring, M3, 6.2mm OD X 0.8 Thk
-122	6852059	1	• Clamp, EOF, Adapter Machines without BBF/EOF Feature
-123	1621170	2	• Screw, Slot Pan Hd - M3 X 6mm Long Machines without BBF/EOF Feature
-124	856508	2	• Tubing, 10mm Long Specify length when ordering

Assembly 8: Front Unit Assembly



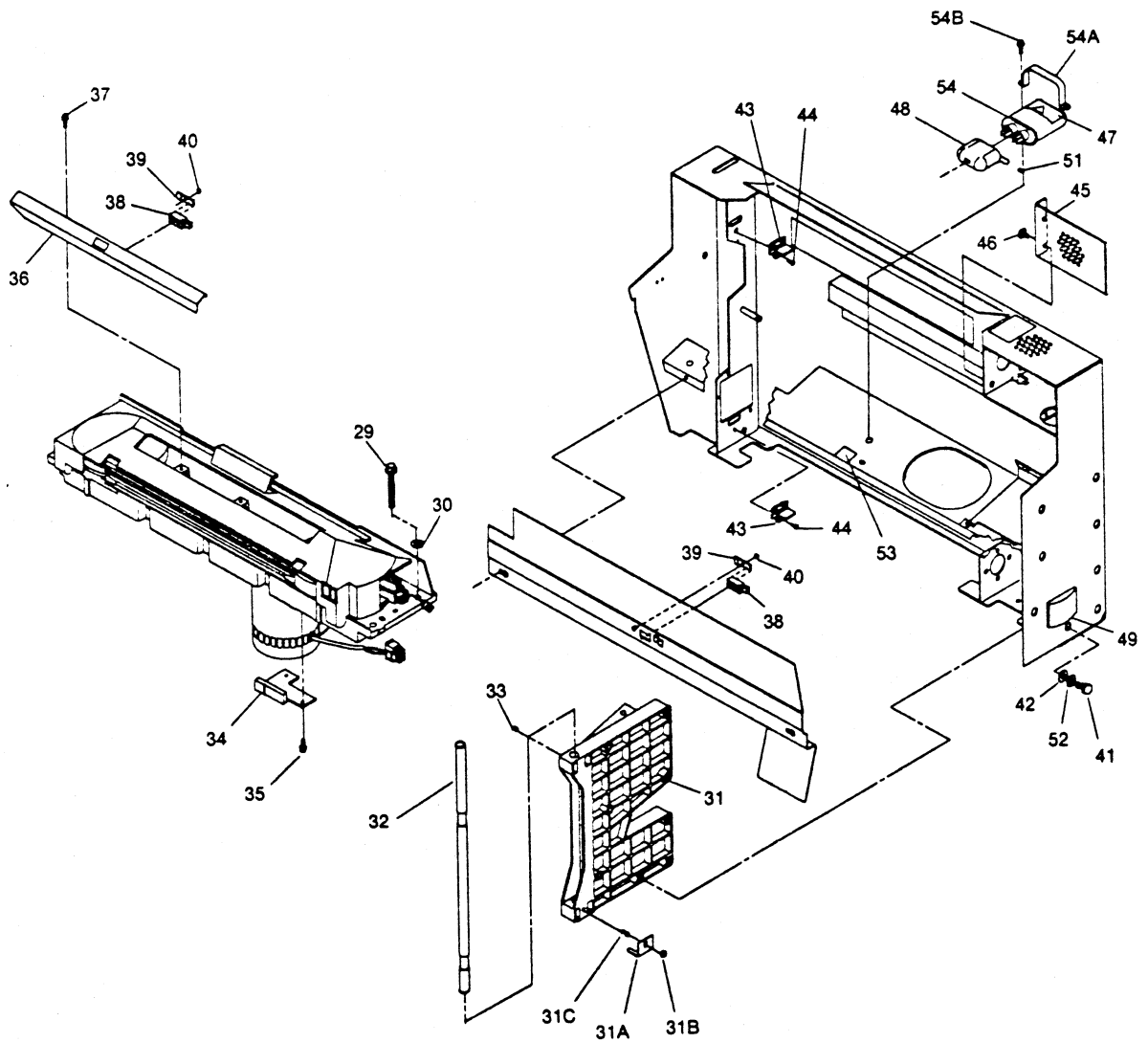
Asm - Index	Part Number	Units	Description
8 -	6855661	REF	Front Unit Assembly, 60 HZ
-	6855760	REF	Front Unit Assembly, 50 HZ
			For Next Higher Assembly, see Asm 5-24. For Cables, see Assembly 17-100.
-1	6854580	NP	• Frame, Front Unit
-2	6854585	1	• Arm Assembly, Skew
-3	1126835	1	• Ring, Retaining, 7.6mm ID X 0.9 Thk
-4	6854594	1	• Guide, Ribbon Lower
-5	1624777	2	• Screw, Hex Flange Hd, M5 X 10mm Long
-6	6855419	1	• Label, Information (Ribbon) Location prior to ECA83288 (U.S. S/N 50167). If label is replaced, Put label either in position for index 6A or 6B, depending on configuration.
-6A	6855419	1	• Label, Information (Ribbon) Location for machines with EC A83288. Check graphic for proper configuration.
-6B	6855419	1	• Label, Information (Ribbon) Location for machines with EC A83302. Check graphic for proper configuration.
-7	6855420	1	• Label, Information (Band)
-8	6855421	1	• Label, Warning (Noise Level)
-9	6854589	1	• Motor Assembly, Ribbon Skew
-9A	1622344	1	• Lockwasher, Ext Star, M3, 7mm OD X 0.4 Thk Early Machines w/o Ground Tab
-9B	6854597	1	• Plate, Skew Motor (60 HZ) For machines with EC A49132 only (U.S. S/N 50040).
-9B	6854683	1	• Plate, Skew Motor (50 HZ) For machines with EC A49132 only (U.S. S/N 50040)
-9C	4590143	2	• Switch, Skew - For machines with EC A49132 only (U.S. S/N 50040).
-9C	6853342	1	• Cable Asm, Skew Limit Sensor For machines prior to EC A49132 (U.S. S/N 50040).
-9D	1621156	2	• Screw, Slotted Pan Hd, M3 X 14mm Long
-9F	1622404	2	• Nut, M5 (50 HZ)
-9G	1622319	2	• Lockwasher, Spring, M5, 9.2mm OD X 1.2 Thk (50 HZ)
-9H	1622305	2	• Washer, Flat, M5, 10mm OD X 1.0 Thk (50 HZ)
-9J	1624778	2	• Screw, Hex Flange Hd, M5 X 12mm Long (50 HZ)
-9K	1624777	2	• Screw, Hex Flange Hd, M5 X 10mm Long (60 HZ)
-9L	1622319	2	• Lockwasher, Spring, M5, 9.2mm OD X 1.2 Thk (60 HZ)
-9M	1622305	2	• Washer, Flat, M5, 10mm OD X 1.0 Thk (60 HZ)
-10	1621023	2	• Screw, Slot Cheese Hd, M3, 12mm Long
-11	1622316	2	• Lockwasher, Spring, M3, 6.2mm OD X 0.8 Thk
-12	1622302	2	• Washer, Flat, M3, 7mm OD X 0.5 Thk
-13	1622401	2	• Nut, Double Chamfer Hex, M3 X 2.4mm Thk
-14	6854588	1	• Eccentric, Skew - 60 HZ (With EC A49132 - U.S. S/N 50040).
-14	6854682	1	• Eccentric, Skew - 50 HZ (With EC A49132 - U.S. S/N 50040).
-14	6854581	1	• Eccentric, Skew (Prior to EC A49132 - U.S. S/N 50040).
-15	1621760	1	• Setscrew, Flat Pt, Spline, M3 X 10mm Long

Assembly 8: (continued)



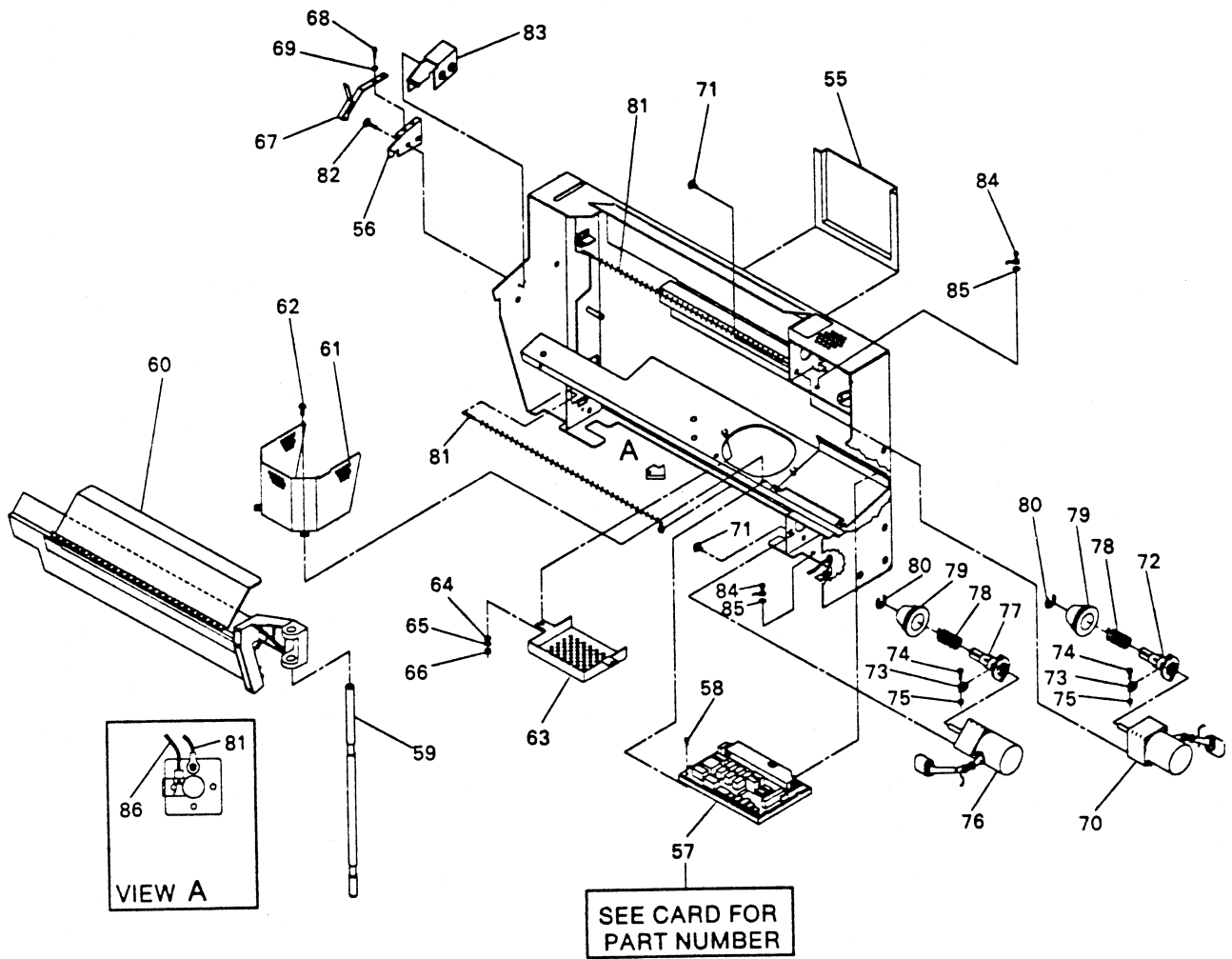
Asm - Index	Part Number	Units	Description
8-16	6854605	1	• Ramp, Latch
-17	1621544	2	• Screw, Hex Hd Cap, M8 X 16mm Long
-18	1622307	2	• Washer, Flat, M8, 17mm OD X 1.6 Thk
-19	6854641	1	• Lever, Latch
-20	1621430	1	• Screw, Hex Socket Hd, M8 X 10mm Long
-21	1622308	1	• Washer, Flat, M10, 21mm OD x 2 Thk
-22	1616564	1	• Washer, Wave Lock
-23	1624805	2	• Screw, Hex Hd, M8 X 25mm Long
-24	1622307	2	• Washer, Flat, M8 X 17mm OD
-25	6854639	1	• Handle, Lever
-26	1624777	1	• Screw, Hex Flange Hd, M5 X 10mm Lg
-27	6854644	1	• Spring, Extension
-28	6436800	NP	• Drive Assembly, 60 Hz Band
-28	6854560	NP	• Drive Assembly, 50 Hz Band
			For Detail Breakdown, see Assembly 9.

Assembly 8: (continued)



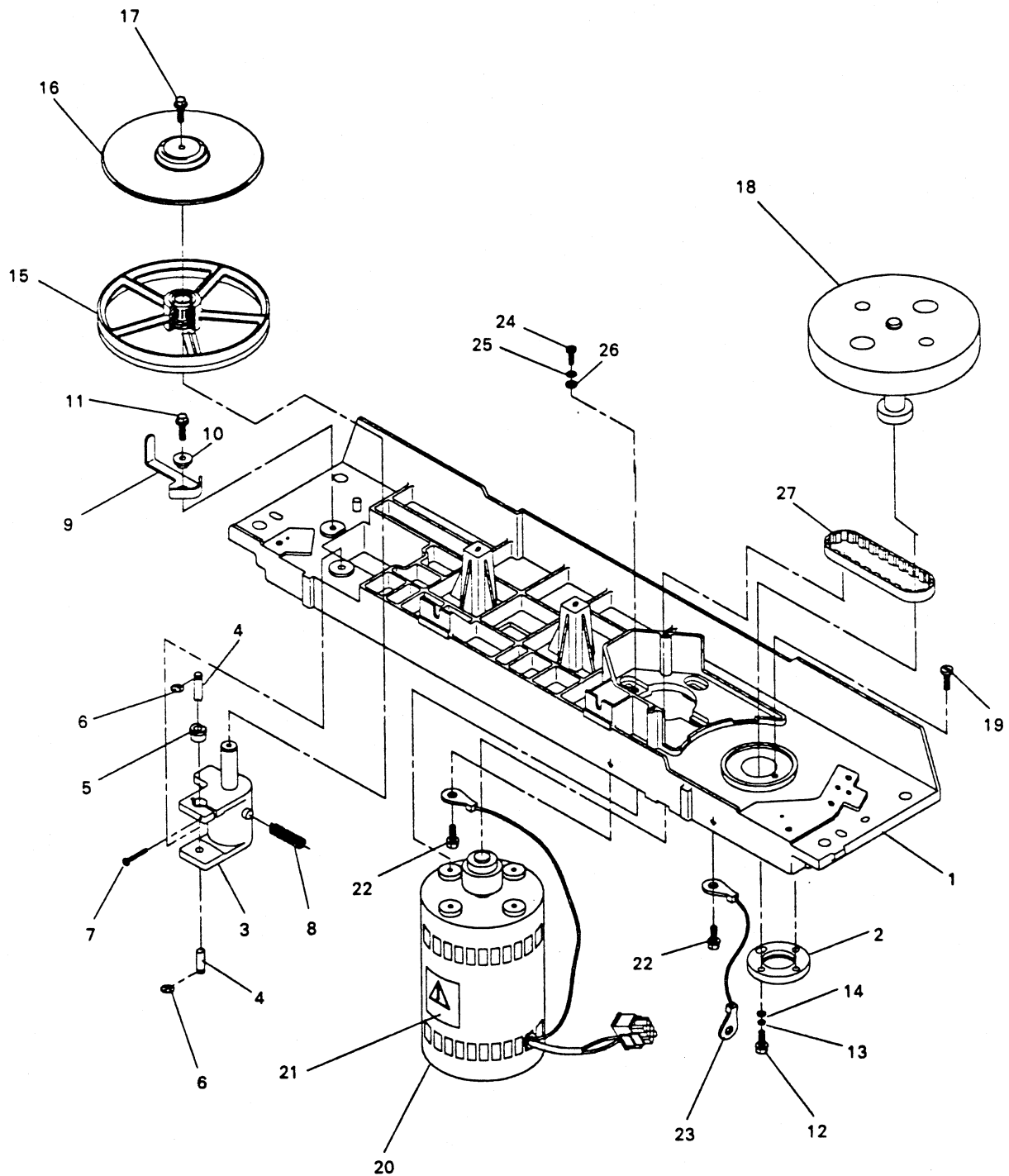
Asm - Index	Part Number	Units	Description
8-29	1624806	2	• Screw, Hex Hd, M8 X 30mm Long
-30	1622307	2	• Washer, Flat, M8 X 17mm OD
-31	6854596	1	• Casting, Swing Frame Pivot
-31A	6854687	1	• Plate, Thrust
-31B	1622404	1	• Nut, Double Chamfer Hex, M5 X 4.7mm Thk
-31C	1621728	1	• Setscrew, Cup Point, M5 X 16mm Long
-32	6854625	REF	• Pin, Swing Frame Pivot See Assembly 5-30 for quantity.
-33	1621774	1	• Setscrew, Flat Point, M5 X 8mm Long
-34	28F0160	1	• Cable Assembly, Ribbon Edge Sensor
-35	1624777	2	• Screw, Hex Flange Hd, M5 X 10mm Long
-36	6854626	1	• Guide, Ribbon Upper
-37	1624777	2	• Screw, Hex Flange Hd, M5 X 10mm Long
-38	402614	2	• Sensor Assembly, End Of Ribbon
-39	402898	2	• Clamp, Sensor Assembly
-40	1622402	2	• Nut, Double Chamfer Hex, M3.5 X 2.8mm Thk
-41	1621546	8	• Screw, Hex Hd Cap, M8 X 25mm Long
-42	1622307	8	• Washer, Flat, M8 X 17mm OD
-43	6854646	2	• Bracket
-44	1621210	2	• Screw, Slot Pan Hd M5, 10mm Long
-45	6854642	1	• Cover, Ribbon Motor
-46	637733	2	• Screw and Wshr, Hex Hd 10-32, 0.465 Inches Long Screws are part of 8 screws in index 8-71.
-47	2674358	1	• Label, Warning 400V
-48	363001	1	• Boot, Capacitor
-49	6854630	1	• Ramp Assembly
-51	1622347	2	• Lockwasher, Ext Tooth, M5 X 10mm OD
-52	1622262	8	• Lockwasher, Split, M8, 12.8mm OD X 2 Thk
-53	369207	1	• Label, Hazardous Area (English, UK, Norwegian)
-53	8326799	1	• Label, Hazardous Area (Canada/French)
-53	6855427	1	• Label, Hazardous Area (Brazil/Portugal)
-53	1696016	1	• Label, Hazardous Area (German)
-53	1696132	1	• Label, Hazardous Area (French)
-53	8326798	1	• Label, Hazardous Area (Spanish)
-53	8326800	1	• Label, Hazardous Area (Italian)
-53	8326801	1	• Label, Hazardous Area (Finland)
-53	8551904	1	• Label, Hazardous Area (Sweden)
-53	8326797	1	• Label, Hazardous Area (Japanese)
-53	1696110	1	• Label, Hazardous Area (French/Dutch)
-53	810977	1	• Label, Hazardous Area (Denmark)
-54	68X6551	1	• Capacitor, Band Drive (60 HZ)
-54	68X7319	1	• Capacitor, Band Drive (50 HZ)
-54A	6854643	1	• Bracket, Capacitor
-54B	1624777	2	• Screw, Hex Hd, M5 X 10mm Long

Assembly 8: (continued)



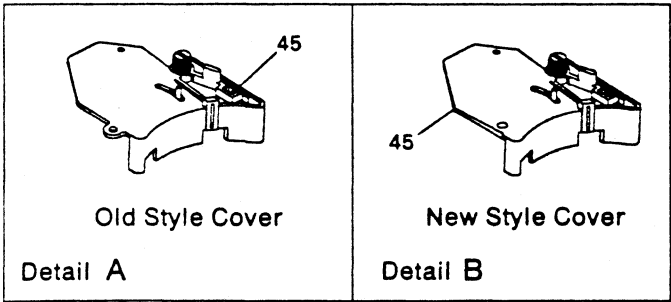
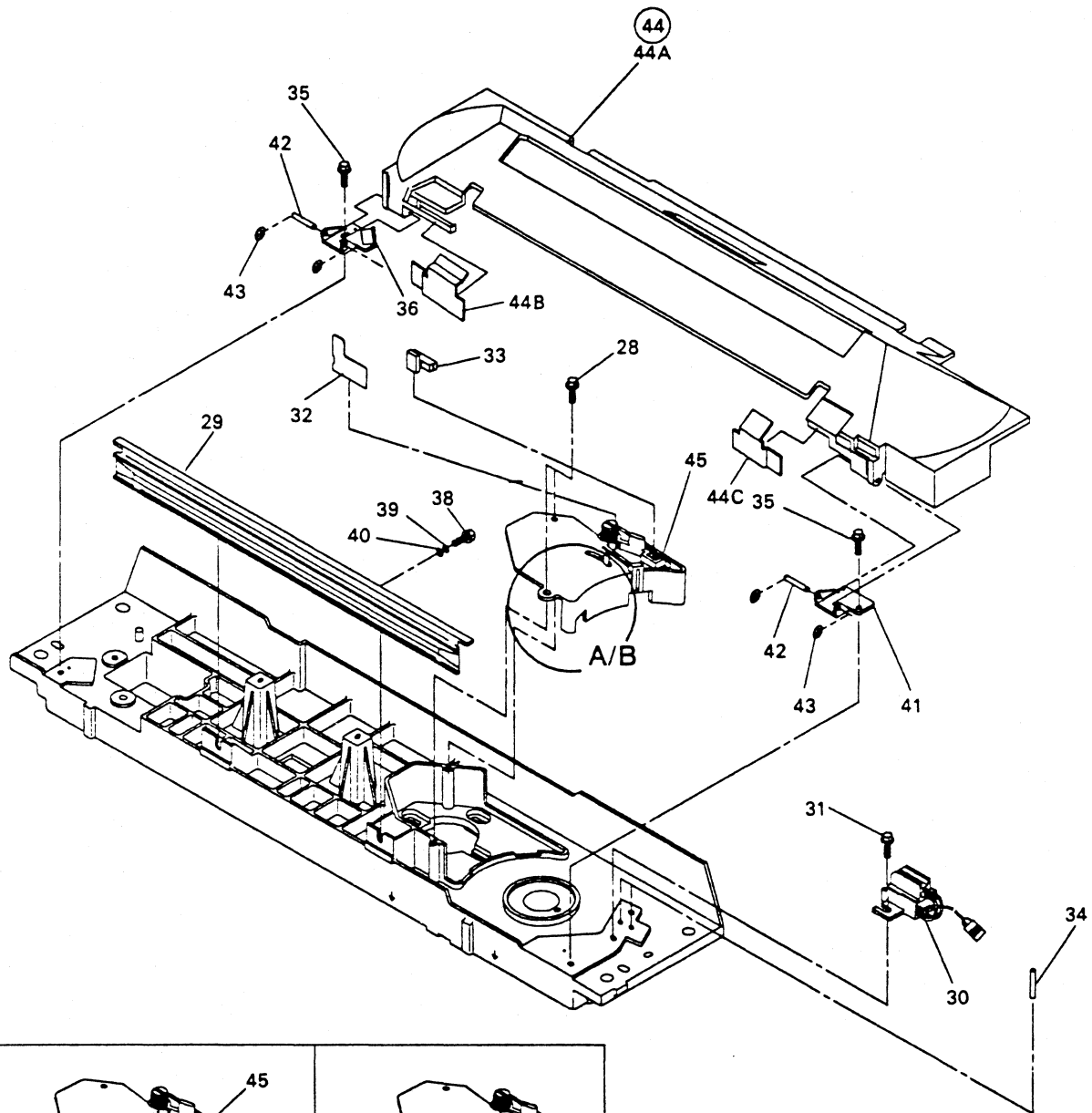
Asm - Index	Part Number	Units	Description
8-55	6855714	1	• Pocket, Document
-56	6854675	1	• Bracket, Shield Latch
-57	0000000	1	• Card Assembly, AC Motor Control See Card Assembly for part number.
-58	1621171	2	• Screw, Slot Pan Hd, M3 X 8mm Long
-59	6854625	REF	• Pin, Swing Frame Unit See Assembly 5-30 for quantity.
-60	6854615	REF	• Shield Assembly, Ribbon See Assembly 5-31 for quantity.
-61	6854627	1	• Cover, Band Drive Motor Upper
-62	1624777	2	• Screw, Slot Flange Hd, M5 X 10mm Long
-63	6854628	1	• Cover, Band Drive Motor Lower
-64	1622305	2	• Washer, Flat, M5, 10mm OD X 1.0 Thk
-65	1622347	2	• Lockwasher, Ext Tooth, M5 X 10mm OD
-66	1622404	2	• Nut, Double Chamfer Hex, M5 X 4.7mm Thk
-67	6854674	1	• Spring, Shield Latch
-68	1621190	2	• Screw, Slot Pan Hd, M4 X 8mm Long
-69	1622304	2	• Washer, Flat, M4, 9mm OD X 0.8 Thk
-70	6854640	1	• Motor Assembly, Ribbon Drive (Upper)
-71	637733	8	• Screw and Wshr, Hex Hd 10-32, 0.465 Inches Long Two of these screws are shown as index 8-46
-72	4443528	1	• Hub Assembly, Ribbon Drive (Upper)
-73	4443511	2	• Clamp, Hub Assembly
-74	1621496	2	• Screw, Cap Soc Hd, M3 X 16mm Long
-75	1622401	2	• Nut, Double Chamfer Hex, M3 X 2.4mm Thk
-76	6854640	1	• Motor Assembly, Ribbon Drive (Lower)
-77	4443527	1	• Hub Assembly, Ribbon Drive (Lower)
-78	378335	2	• Spring, Drive Hub Tension
-79	4443530	2	• Hub, Ribbon Drive Spool
-80	219743	2	• Clip, Retaining, 0.392 inch ID X 0.042 Thk
-81	6854648	2	• Eliminator, Static
-82	1621191	2	• Screw, Slot Pan Hd, M4 X 10mm Long
-83	6854676	1	• Cover, Shield Latch
-84	1624775	2	• Screw, Hex Flange Hd, M5 X 6mm Long
-85	1622347	2	• Lockwasher, Ext Tooth, M5 X 10mm OD
-86	6853343	1	• Cable Assembly, Ribbon Motion

Assembly 9: Band Drive Assembly



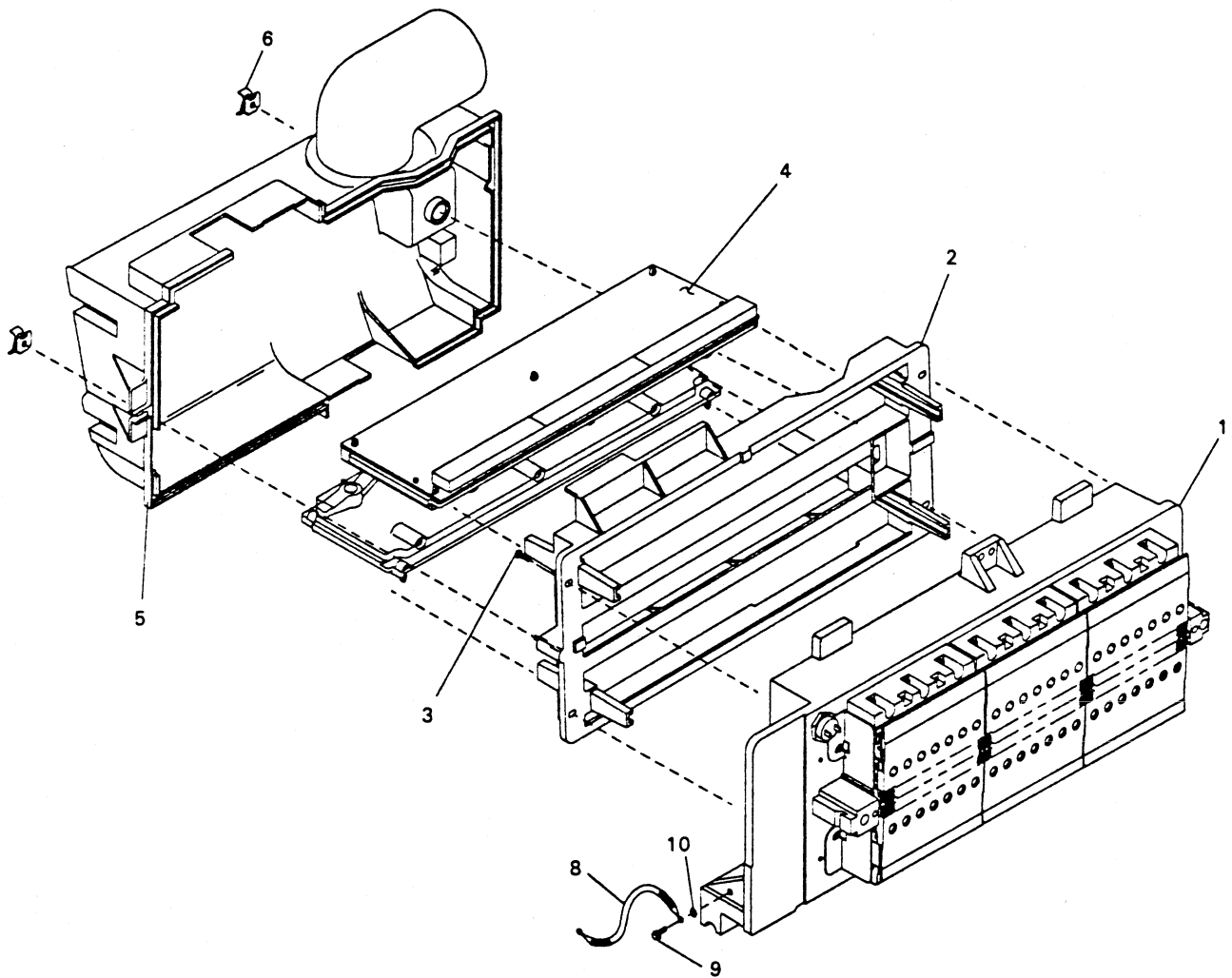
Asm - Index	Part Number	Units	Description
9-	6436800	REF	Drive Assembly, 60 Hz Band
-	6854560	REF	Drive Assembly, 50 Hz Band
			For Next Higher Assembly, see Assembly 8-28.
-1	6436850	NP	• Casting, Band Drive
-2	6436801	1	• Collar, Adjust
-3	6436830	1	• Pivot Assembly, Band Idler Pulley
-4	1794809	1	• Pivot, Clevis
-5	4035839	1	• Eccentric, Idler
-6	257982	2	• Clip, Retaining E Type 0.188 inch Dia Groove
-7	1621175	1	• Screw, Slot Pan Hd, M3 X 20mm Long
-8	4012827	1	• Spring, Compression, Band Tension
-9	6436802	1	• Lever, Band Release
-10	6436803	1	• Spacer, Release Lever
-11	1624777	1	• Screw, Hex Hd, M5 X 10mm Long
-12	1624780	3	• Screw, Hex Flange Hd, M5 X 16mm Long
-13	1622319	3	• Lockwasher, Spring, M5, 9.2mm OD X 1.2 Thk
-14	1622305	3	• Washer, Flat, M5, 10mm OD X 1 Thk
-15	6436820	1	• Pulley Assembly, Idler
-16	6436808	1	• Cover, Idler Pulley
-17	1624777	1	• Screw, Hex Hd, M5 X 10mm Long
-18	6436860	1	• Pulley Assembly, Drive
-19	6852111	1	• Screw, Shoulder Pan Hd, M5 X 10mm Long Used on machines prior to EC A83299 (U.S. S/N 50626)
-19	1621210	1	• Screw, Slot Pan Hd, M5 X 10mm Long Used on machines with EC A83299 (U.S. S/N 50626 and above)
-20	6436869	1	• Motor Assembly, Band Drive (W/Pulley) 60 Hz
-20	6854686	1	• Motor Assembly, Band Drive (W/Pulley) 50 Hz
-21	5497574	1	• Label, Warning - Hot
-22	1624777	2	• Screw, Hex Hd, M5 X 10mm Long
-23	6854657	1	• Jumper Assembly, Ground
-24	1621192	4	• Screw, Slot Pan Hd, M4 X 12mm Long
-25	1622318	4	• Lockwasher, Split, M4, 7.6mm OD X 0.9 Thk
-26	1622304	4	• Washer, Flat, M4, 9mm OD X 0.8 Thk
-27	6436807	1	• Belt, Band Timing

Assembly 9: (continued)



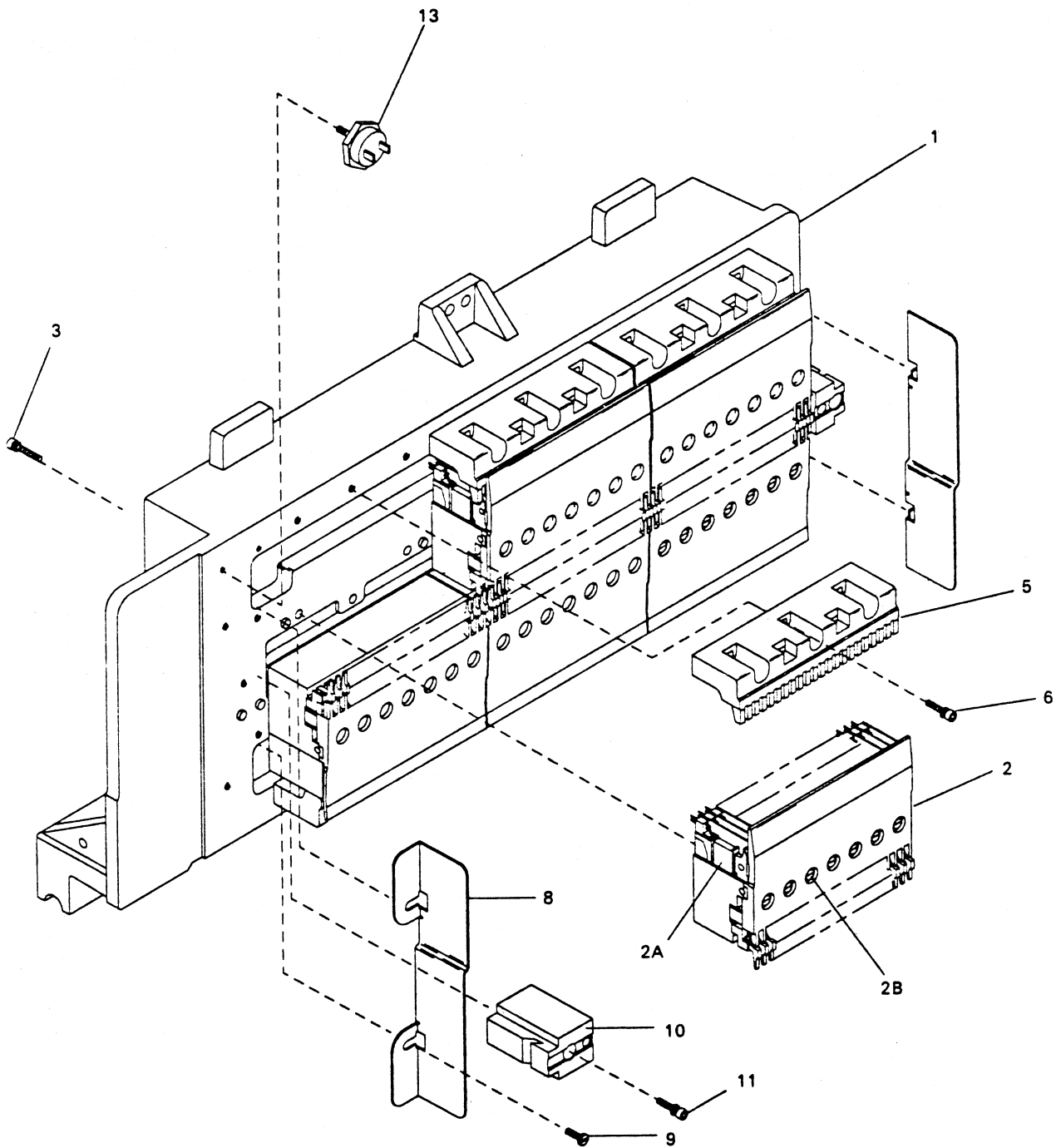
Asm - Index	Part Number	Units	Description
9-28	1624777	2	• Screw, Hex Hd, M5 X 10mm Long
-29	6436840	1	• Platen Assembly
-30	6436811	1	• Emitter Assembly
-31	1624777	2	• Screw, Hex Hd, M5 X 10mm Long
-32	6436904	1	• Scraper
-33	6436903	1	• Block, Plastic Lubricator
-34	1611070	NR	• Pin, Roll 4mm Dia, 14mm Long
-35	1624777	2	• Screw, Hex Hd, M5 X 10mm Long
-36	6436875	1	• Support Assembly, Band/Hinge (Left Hand)
-38	1673730	2	• Screw, Hex Hd, M5 X 12mm Long
-39	1622319	2	• Lockwasher, Spring, M5, 9.2mm OD X 1.2 Thk
-40	1622276	2	• Washer, Flat, M5, 5.5mm ID X 15 OD
-41	6854668	1	• Pivot, Band Cover (Right Hand)
-42	6854649	2	• Pin, Hinge Band Cover
-43	1126829	4	• Clip, Retaining
-44	28F0175	1	• Cover Assembly, Band
-44A	28F0176	1	• • Cover, Band
-44B	6854694	1	• • Shield, Ribbon (Left Hand) Replace shield only if shield backing is double adhesive back white foam tape. Early band covers without white foam adhesive backing on shields require replacing with Band Cover Assembly P/N 28F0175 (Index #44)
-44C	6854695	1	• • Shield, Ribbon (Right Hand) Replace shield only if shield backing is double adhesive back white foam tape. Early band covers without white foam adhesive backing on shields require replacing with Band Cover Assembly P/N 28F0175 (Index #44)
-45	6436905	1	• Cover Assembly, Band Drive Old Style (Prior to EC A84514) - See Detail A
-45	28F0165	1	• Cover Assembly, Band Drive New Style (With EC A84514) - See Detail B

Assembly 10: Final Hammer Unit Assembly



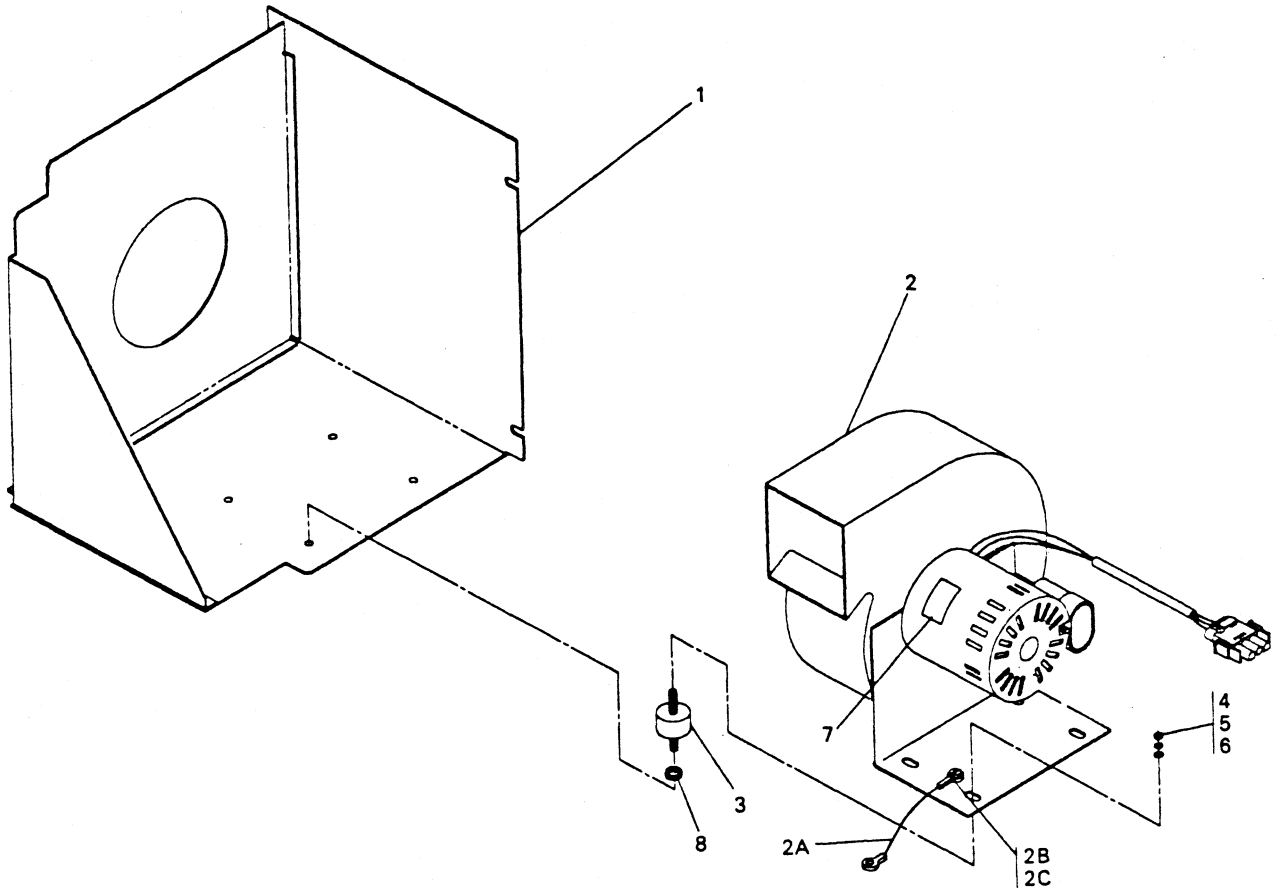
Asm - Index	Part Number	Units	Description
10-	6855651	REF	Hammer Unit Assembly, Final For Next Higher Assembly, see Assembly 5-3.
-1	5665710	1	• Hammer Unit Assembly, Bar and Block For Detail Breakdown, see Assembly 11.
-2	6854349	1	• Guide, 3 High Driver Card
-3	1621192	4	• Screw, Slot Pan Hd, M4 X 12mm Long
-4	6854318	2	• Card/Stiffener Assembly, Hammer Driver
-5	6854381	1	• Duct Assembly, Air
-6	6854336	2	• Clip, Air Duct Retainer
-8	6854345	1	• Ground Assembly, Hammer Unit See Assembly 5-15 also.
-9	1621811	1	• Screw, Hex Hd W/Wshr, Thd Form, M4 X 10mm Long
-10	1622346	1	• Lockwasher, Ext Star, M4, 8mm OD X 0.5 Thk

Assembly 11: Hammer Unit Sub Assembly



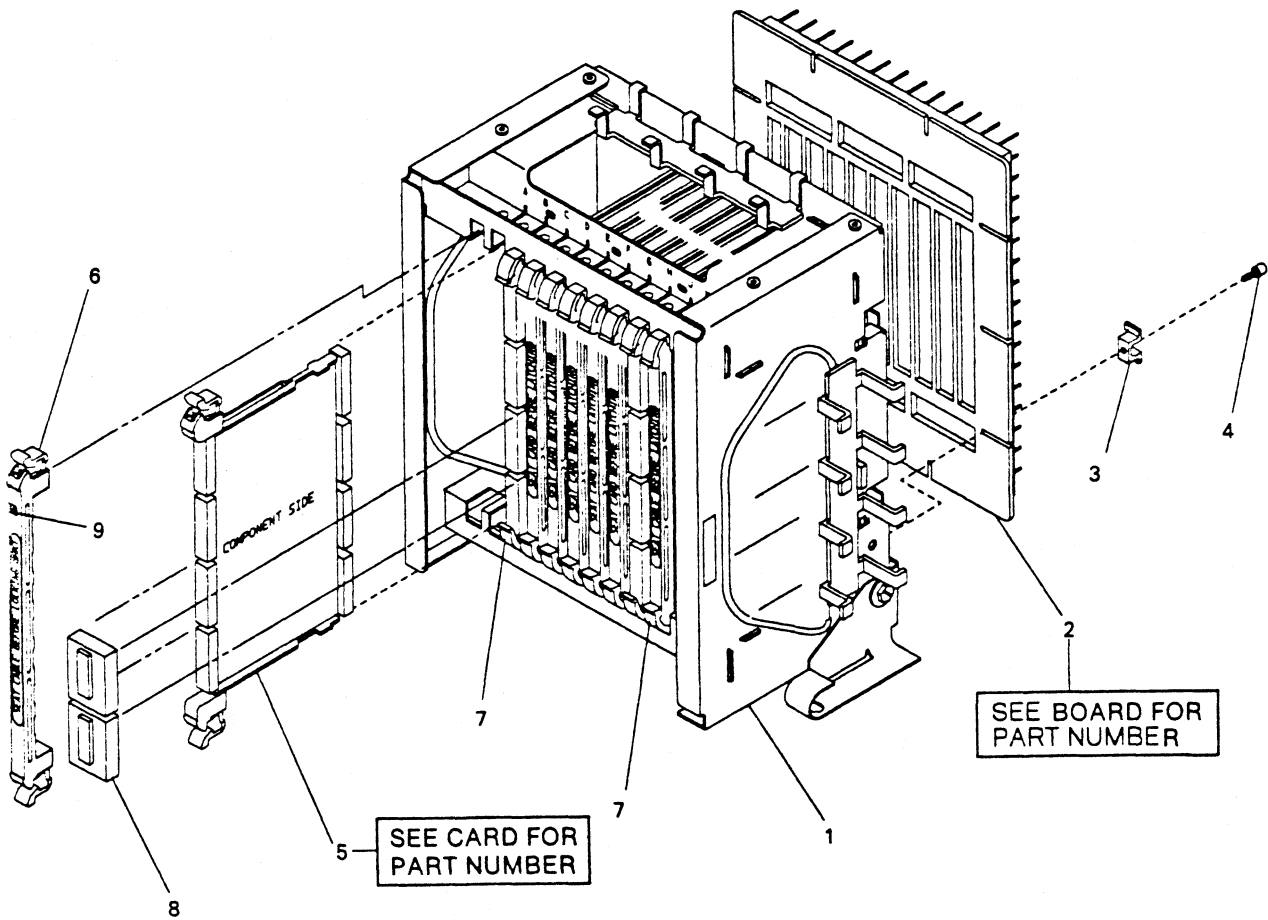
Asm - Index	Part Number	Units	Description
11 -	5665710	REF	Hammer Unit Assembly, Bar and Block For Next Higher Assembly, see Assembly 10-1.
- 1	5665748	1	• Bar Assembly, Pin (Field Replaceable Assembly - Component parts are not replaceable)
- 2	6854369	6	• Block Assembly, Hammer
- 2A	5665720	22	• • Coil Assembly, Hammer Block
- 2B	5665745	7	• • Screw, Front Plate
- 3	6854360	18	• Screw w/Lwasher, Cap Soc Hd, M4 X 20mm Long Optional - Screw P/N 1621513 and Lockwasher P/N 1621318 may be used in place of P/N 6854360
- 5	5665728	6	• Stop Assembly, Hammer Arm
- 6	6854360	18	• Screw w/Lwasher, Cap Soc Hd, M4 X 20mm Long Optional - Screw P/N 1621513 and Lockwasher P/N 1621318 may be used in place of P/N 6854360
- 8	6854326	2	• Barrier, Air
- 9	1621190	4	• Screw, Slot Pan Hd, M4 X 8mm Long
- 10	6854325	2	• Block, Flight Time
- 11	6854360	2	• Screw w/Lwasher, Cap Soc Hd, M4 X 20mm Long Optional - Screw P/N 1621513 and Lockwasher P/N 1622318 may be used in place of P/N 6854360
- 13	6854347	1	• Switch, Thermal

Assembly 12: Blower Distribution Box Assembly



Asm - Index	Part Number	Units	Description
12 -	6855058	REF	Blower Distribution Box Assembly For Next Higher Assembly, see Assembly 1-14.
-1	6855027	1	• Cover
-2	6855025	REF	• Blower Assembly, 50 HZ
-2	6855133	REF	• Blower Assembly, 60 HZ See Assembly 1-14B For Next Higher Assembly.
-2A	597218	1	• • Jumper Assembly, Ground
-2B	1621191	1	• • Screw, Slot Pan Hd, M4 X 10mm Long
-2C	1622346	1	• • Lockwasher, Ext Star, M4, 8.5mm OD X 0.5 Thk
-3	4012195	4	• Shockmount
-4	1622306	4	• Washer, Flat, M6, 12.5mm OD X 1.6 Thk
-5	1622320	4	• Lockwasher, Split, M6, 11.8mm OD X 1.6 Thk
-6	1622405	4	• Nut, Double Chamfer Hex, M6 X 5.2mm Thk
-7	2674358	1	• Label, Warning
-8	1622292	4	• Washer, Flat, M6, 6.65mm ID X 25.8 OD

Assembly 13: Logic Gate Assembly

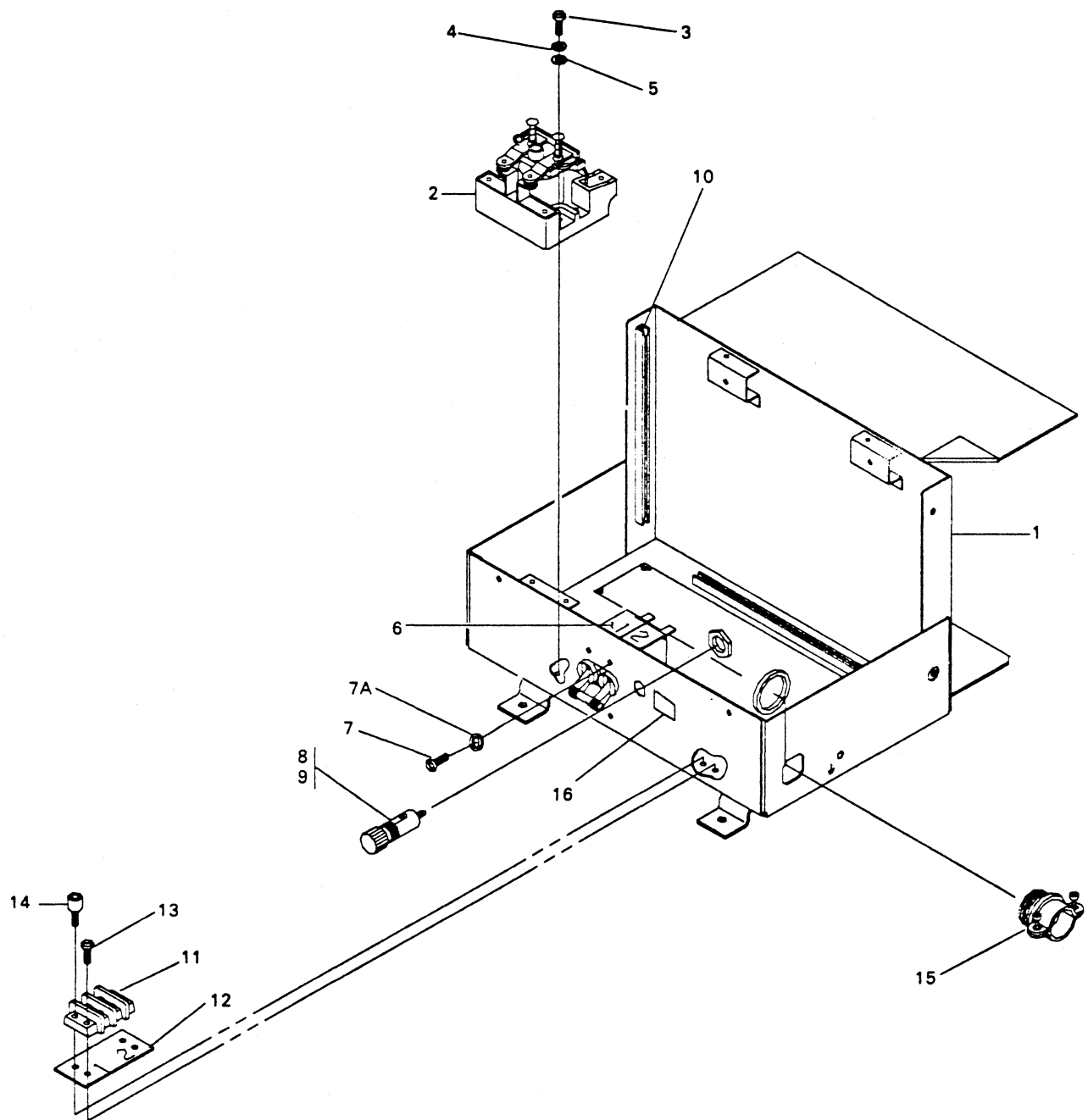


Asm - Index	Part Number	Units	Description
13-	6855633	REF	Gate Assembly, Logic (Model D12)
-	6855631	REF	Gate Assembly, Logic (Model T12)
-	4F8671	REF	Gate Assembly, Logic (Model O14)
-	4F8672	REF	Gate Assembly, Logic (Model D14)
-	4F8673	REF	Gate Assembly, Logic (Model T14)
			For Higher Assembly, see Assembly 5-47.
			For Cables, see Assembly 17-45 to 55 and 17-104.
-1	6853215	1	• Gate, Logic
-2	0000000	1	• Board, Logic
			See Board Assembly for part number.
-3	813179	10	• Clamp, Board Mounting
-4	1621495	10	• Screw, Cap Soc Hd, M3 X 12mm Long
-5	0000000	AR	• Card Assembly, CDPOP
			See Card Assembly for part number.
			See Card Positioning Chart on next page for Card Description, Cards Used and Position.
-6	0000000	AR	• Holder, Card/Cable
			See Card Positioning Chart on next page for Card Part Number and Positions used.
-7	816983	AR	• Filler (Used in card position K2 on Models 12D, 12T, 14D and 14T - Quantity 2).
-8	2633938	2	• Crossover (Model 14 Only)
-9	818579	AR	• Label, Position Mark Strip

Assembly 13: (continued)

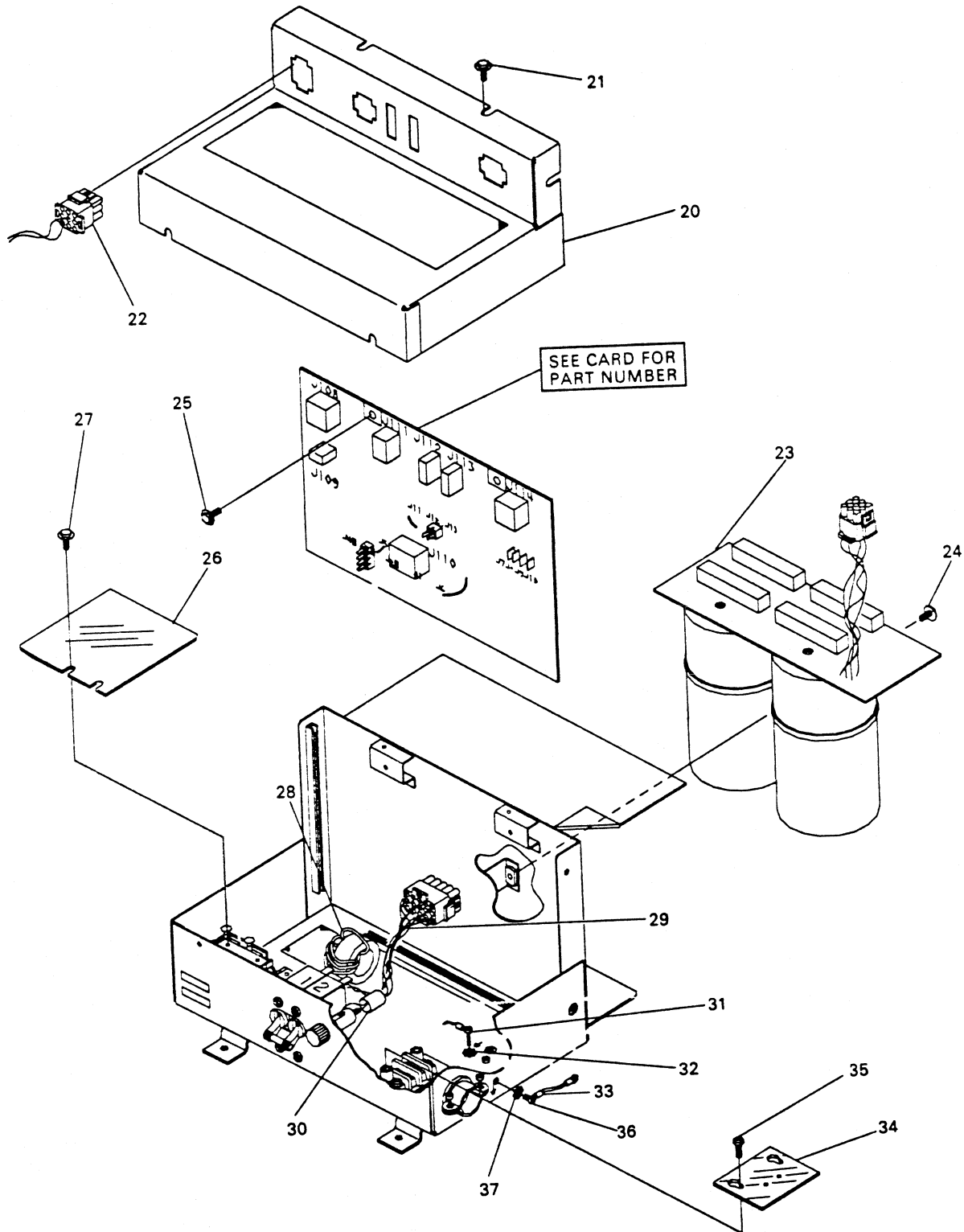
Table 1. Card Positioning Chart			
MACHINE MODEL	CARD DESCRIPTION	CARD POSITION	CARD/CABLE HOLDER P/N
ALL	Cable Holder	01A-A1A2	1953110
D12,T12	Mechanism Control	01A-A1B2	1953183
D14,T14,014	HS Mechanism Control	01A-A1B2	1953179
D14,T14,014	HS Mechanism ControlExtn	01A-A1C2	1953179
D12,T12	Blank	01A-A1C2	-----
ALL	Hammer Fire Control	01A-A1D2	1953183
ALL	Diskette/Operator Panel	01A-A1E2	1953183
ALL	Memory	01A-A1F2	1953183
ALL	Engine	01A-A1G2	1953183
D12	Device Cluster Adapter	01A-A1H2	1953183
D12	Communications Adapter	01A-A1J2	1953183
D12	Card Holder	01A-A1K2	1953181
T12	Twinax	01A-A1H2	1953183
T12	Blank	01A-A1J2	-----
T12	Card Holder	01A-A1K2	1953181
O14	Channel Processor Link	01A-A1H2	1953183
O14	Communications Adapter	01A-A1J2	1953179
O14	Cable Holder	01A-A1K2	1953110
D14	Device Cluster Adapter	01A-A1H2	1953183
D14	Communications Adapter	01A-A1J2	1953183
D14	Card Holder	01A-A1K2	1953181
T14	Twinax	01A-A1H2	1953183
T14	Blank	01A-A1J2	-----
T14	Card Holder	01A-A1K2	1953181

Assembly 14: Power Supply Assembly



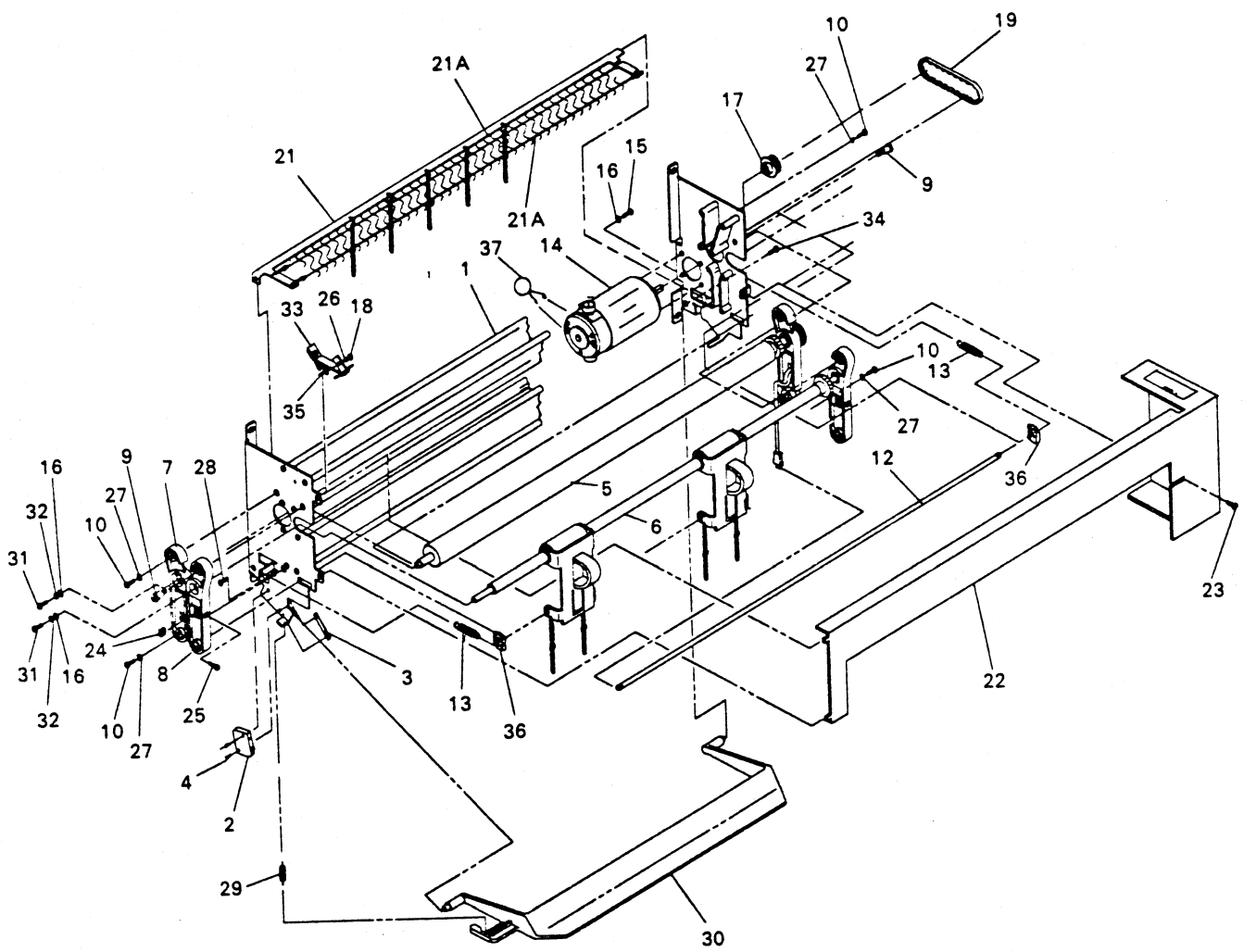
Asm - Index	Part Number	Units	Description
14-	839020	REF	Chassis Assembly, Primary Power, 50/60 HZ 100/110V - 18A (AFE)
-	839021	REF	Chassis Assembly, Primary Power, 50/60 HZ 120/127V - 15A (U.S., Canada, AFE)
-	839022	REF	Chassis Assembly, Primary Power, 50/60 HZ 200/240V - 10A (U.S., Canada, EMEA, AFE) For next higher assembly, see Assembly 5-32.
-1	6932705	NR	• Chassis
-2	376063	1	• Contactor, Relay
-3	1621193	2	• Screw, Slot Pan Hd, M4 X 16mm Long
-4	1622318	2	• Lockwasher, Split, M4, 7.6mm OD X 0.9 Thk
-5	1622304	2	• Washer, Flat, M4, 9mm OD X 0.8 Thk
-6	838974	1	• Circuit Protector (CP), 18A Used on Assembly 839020
-6	4160057	1	• Circuit Protector (CP), 15A Used On Assembly 839021
-6	5508655	1	• Circuit Protector (CP), 10A Used On Assembly 839022
-7	1621170	4	• Screw, Slot Pan Hd, M3 X 6mm Long Used on Assembly 839020 only
-7	10170	4	• Screw, Mach-Bind Hd, 6-32 X 0.250 Inch Long Used on Assembly 839021 and 839022
-7A	1622302	4	• Washer, Flat, M3, 7mm OD X 0.5 Thk Used on Assembly 839020 only
-8	6932706	1	• Holder, Fuse
-9	111260	1	• Fuse (F101), 0.175A - Used on Asm 839020
-9	111259	1	• Fuse (F101), 0.125A - Used on Asm 839021
-9	304883	1	• Fuse (F101), 0.1A - Used on Asm 839022
-10	839126	3	• Guide, Card
-11	317193	1	• Block, Terminal - 2 Position/30A
-12	515730	1	• Strip, Terminal Block Marker
-13	1621185	2	• Screw, Slot Pan Hd, M3.5 X 16mm Long
-14	4120573	2	• Stud, Terminal Block
-15	151598	1	• Clamp, Cable (U.S./APG)
-15	6932694	1	• Clamp, Cable (EMEA)
-16	838956	1	• Label, Fuse - Used on Assembly 839020
-16	838959	1	• Label, Fuse - Used on Assembly 839021
-16	838958	1	• Label, Fuse - Used on Assembly 839022

Assembly 14: (continued)



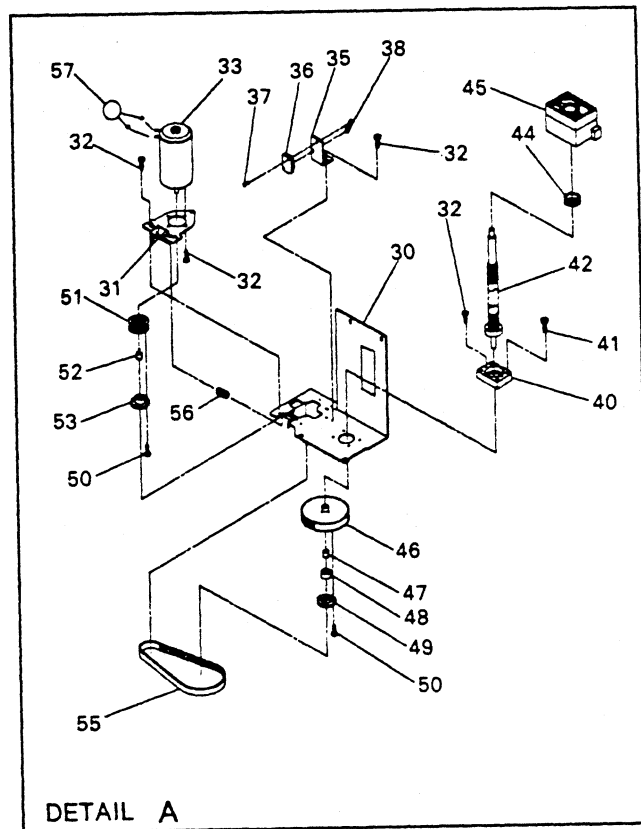
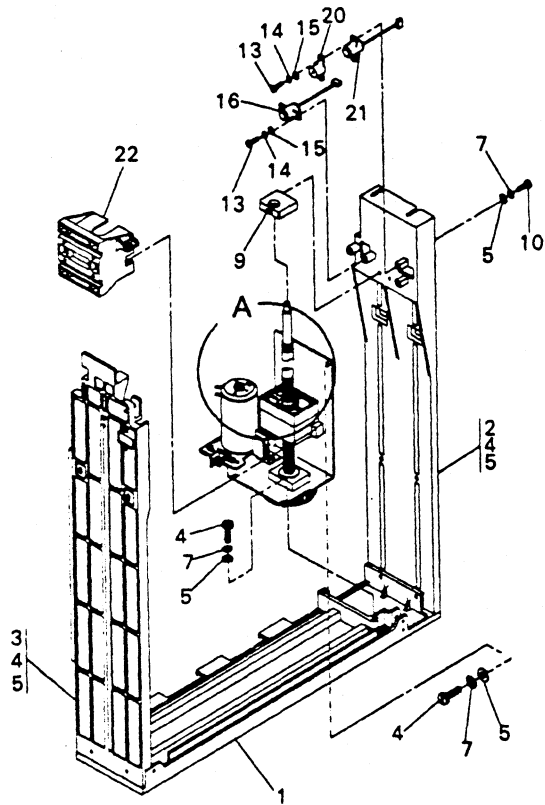
Asm - Index	Part Number	Units	Description
14-20	6932655	1	• Cover
-21	6855162	4	• Screw, Hex Hd Washer, M4 X 10mm Long
-22	6932656	1	• Cable Assembly
-23	6932689	1	• Capacitor Assembly - +48V Bleed
-24	6855162	1	• Screw, Hex Hd Washer, M4 X 10mm Long
-25	6855162	2	• Screw, Hex Hd Washer, M4 X 10mm Long
-26	6932704	1	• Cover, Shield
-27	6855162	2	• Screw, Hex Hd Washer, M4 X 10mm Long
-28	838977	1	• Cable Assembly, Toroid - Used on Assembly 839020 and 839021
-28	838978	1	• Cable Assembly, Toroid - Used on Assembly 839022
-29	6932650	1	• Cable Assembly, External Power - Used on Assembly 839020 and 839021
-29	6932652	1	• Cable Assembly, External Power - Used on Assembly 839022
-30	245541	1	• Tubing, Shrink (40mm long) - Specify length when ordering
-31	1621197	2	• Screw, Slot Pan Hd, M4 X 6mm Long
-32	1622346	2	• Lockwasher, Ext Star, M4, 8mm OD X 0.5 Thk
-33	4443615	1	• Jumper Assembly, Ground
-34	337509	1	• Shield, Terminal Block Safety
-35	1621180	2	• Screw, Slot Pan Hd, M3.5 X 5mm Long
-36	1621197	1	• Screw, Slot Pan Hd, M4 X 6mm Long
-37	1622346	1	• Lockwasher, Ext Star, M4, 8mm OD X 0.5 Thk

Assembly 15: Power Stacker Feedroll Assembly



Asm - Index	Part Number	Units	Description
15 -	68X9612	REF	Feedroll Assembly, Power Stacker For next higher assembly, see assembly 5-106.
-1	68X9572	1	• Frame Assembly, Feedroll
-2	4590143	1	• Switch
-3	2495654	1	• Nutplate, Switch Mounting
-4	438552	2	• Screw, Mach - Bind Hd, 4-40 X 0.750 Inch Long
-5	68X9573	1	• Shaft Assembly, Drive Roll
-6	68X9458	1	• Feedroll Assembly
-7	68X9606	1	• Plate, Fixed Bearing
-8	68X9607	1	• Plate, Moveable Bearing
-9	68X9608	2	• Screw, Shoulder
-10	1621174	4	• Screw, Slot Pan Hd, M3 X 16mm Long
-12	68X9406	1	• Shaft, Adjusting
-13	68X9410	2	• Spring, Extension
-14	68X9594	1	• Motor Assembly
-15	1621197	4	• Screw, Slot Pan Hd, M4 X 6mm Long
-16	1622304	6	• Washer, Flat, M4, 9mm OD X 0.8 Thk
-17	68X9603	1	• Pulley, Motor
-18	1622415	1	• Nut, M3
-19	68X9600	1	• Belt, Timing
-21	68X9434	1	• Chain Assembly, Rear
-21A	378077	2	• • Eliminator, Static
-22	68X9426	1	• Cover, Safety
-23	1624744	1	• Screw, Hex Flange Hd, M3 X 8mm Long
-24	68X9591	1	• Lock
-25	1621496	1	• Screw, Cap Soc Hd, M3 X 16mm Long
-26	1622303	1	• Washer, Flat, M3.5, 8mm OD X 0.5 Thk
-27	1622302	4	• Washer, Flat, M3, 7mm OD X 0.5 Thk
-28	1621170	1	• Screw, Slot Pan Hd, M3 X 6mm Long
-29	1154195	1	• Spring, Extension
-30	68X9554	1	• Bar, Actuator
-31	1621191	2	• Screw, Slot Pan Hd, M4 X 10mm Long
-32	1622259	2	• Lockwasher, Split, M4, 7mm OD X 1.2 Thk
-33	68X9611	1	• Brush Assembly, ESD
-34	1621670	1	• Screw
-35	1622347	1	• Lockwasher, Ext Tooth, M5 X 10mm OD
-36	6854716	2	• Clip, Retaining

Assembly 16: Power Stacker Lift Mechanism

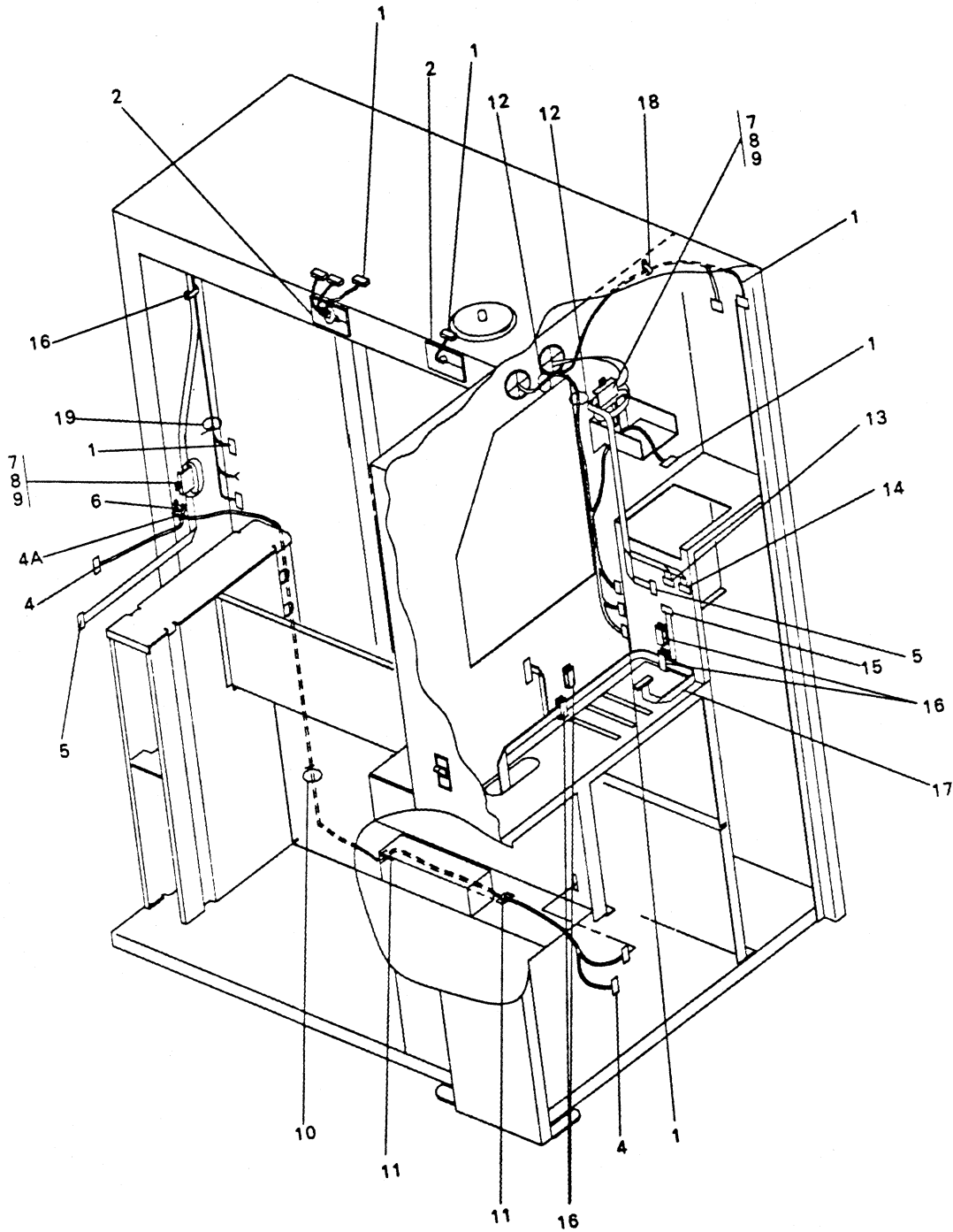


Asm - Index	Part Number	Units	Description
16 -	68X9570	REF	Lift Mechanism, Power Stacker For next higher assembly, see Assembly 5-99.
-1	68X9539	NP	• Base, Lift Mechanism
-2	68X9525	NP	• Frame, Right Side Wall
-3	68X9524	NP	• Frame, Left Side Wall (Prior to EC C14816 - Machines without "8P1" or "8P2" stamped on inside of right side frame. See comment on Assembly 7-95).
-3	68X9564	NP	• Frame, Left Side Wall (With EC C14816 - Machines with "8P1" or "8P2" stamped on inside of right side frame. See comment on Assembly 7-95).
-4	1621191	8	• Screw, Slot Pan Hd, M4 X 10mm Long
-5	1622304	10	• Washer, Flat, M4, 9mm OD X 0.8 Thk
-7	1622318	6	• Lockwasher, Split, M4, 7.6mm OD X 0.9 Thk
-9	68X9505	1	• Bearing Assembly, Upper
-10	1621193	2	• Screw, Slot Pan Hd, M4 X 16mm Long
-13	1621172	4	• Screw, Slot Pan Hd, M3 X 10mm Long
-14	1623316	4	• Lockwasher, Split, M3, 6.2mm OD X 0.8 Thk
-15	1622302	4	• Washer, Flat, M3, 7mm OD X 0.5 Thk
-16	68X9543	1	• Sensor Assembly - LED (This part and index 16-68 are a matched pair.)
-20	402391	1	• Shield, Sensor Assembly
-21	68X9543	1	• Sensor Assembly - LED (This part and index 16-73 are a matched pair.)
-22	68X9511	1	• Housing, Pivot
-30	68X9508	1	• Bracket, Motor Mounting
-31	68X9555	1	• Plate, Motor Mounting
-32	1621198	11	• Screw, Slot Pan Hd, M4 X 5mm Long
-33	68X9519	1	• Motor Assembly, Drive
-35	68X9521	1	• Bracket, Switch Mounting
-36	68X9557	1	• Switch
-37	438552	2	• Screw, Mach - Bind Hd 4-40 X 0.750 Inch Long
-38	2495654	1	• Nutplate, Switch Mounting
-40	68X9499	1	• Block, Bearing
-41	1621512	4	• Screw, Cap Soc Hd, M4 X 16mm Long
-42	68X9498	1	• Screw/Bearing Assembly, Lift
-44	317279	1	• Grommet, Rubber 1.00 Inch Dia Hole, 0.062 Pnl
-45	68X9504	1	• Block Assembly, Pivot
-46	68X9515	1	• Pulley
-47	403111	1	• Ring, Compression (This part is a two piece item. Both pieces are required.)
-48	403174	1	• Spacer
-49	403114	1	• Washer, Thrust Ring
-50	1621496	8	• Screw, Cap Soc Hd, M3 X 16mm Long
-51	68X9502	1	• Pulley Assembly
-52	68X9516	1	• Ring, Compression (This part is a two piece item. Both pieces are required.)
-53	68X9518	1	• Washer, Thrust Ring
-55	68X9542	1	• Belt, Drive
-56	68X9544	1	• Spring, Belt Tension

Asm - Index	Part Number	Units	Description
16-65	1621172	2	• Screw, Slot Pan Hd, M3 X 10mm Long
-66	1622316	2	• Lockwasher, Split, M3, 6.2mm OD X 0.8 Thk
-67	1622302	2	• Washer, Flat, M3, 7mm OD X 0.5 Thk
-68	68X9543	1	• Sensor Assembly, LED (This part and index 16-16 are a matched pair)
-69	1621172	2	• Screw, Slot Pan Hd, M3 X 10mm Long
-70	1623316	2	• Lockwasher, Split, M3, 6.2mm OD X 0.8 Thk
-71	1622302	2	• Washer, Flat, M3, 7mm OD X 0.5 Thk
-72	402391	1	• Shield, Sensor Assembly
-73	68X9543	1	• Sensor Assembly, LED (This part and index 16-21 are a matched pair)
-74	68X9493	NR	• Shaft, Guide (Prior to EC C14816 - Machines without "8P1" or "8P2" stamped on inside of right side frame. See comment on Assembly 7-95).
-74	68X9559	NR	• Shaft, Guide (With EC C14816 - Machines with "8P1" or "8P2" stamped on inside of right side frame. See comment on Assembly 7-95).
-75	1621513	1	• Screw, Cap Soc Hd M4, 20mm Long
-76	68X9496	1	• Cable Assembly, Tray Lift
-77	378319	3	• Pulley, Cable Assembly
-78	852929	3	• Pin, Roller
-79	68X9560	1	• Block, Guide
-80	11598	1	• Nut, Double Chamfer Hex, 10-32
-81	45690	1	• Washer, Flat, 10-32
-82	45690	1	• Washer, Flat, 10-32
-83	11598	1	• Nut, Double Chamfer Hex, 10-32

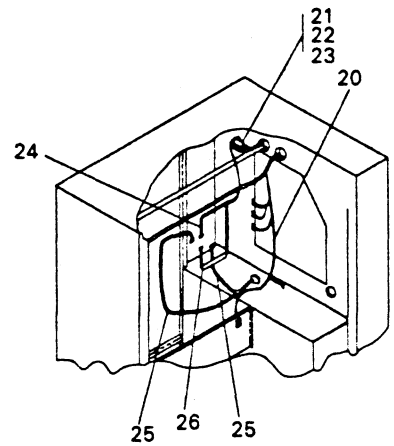
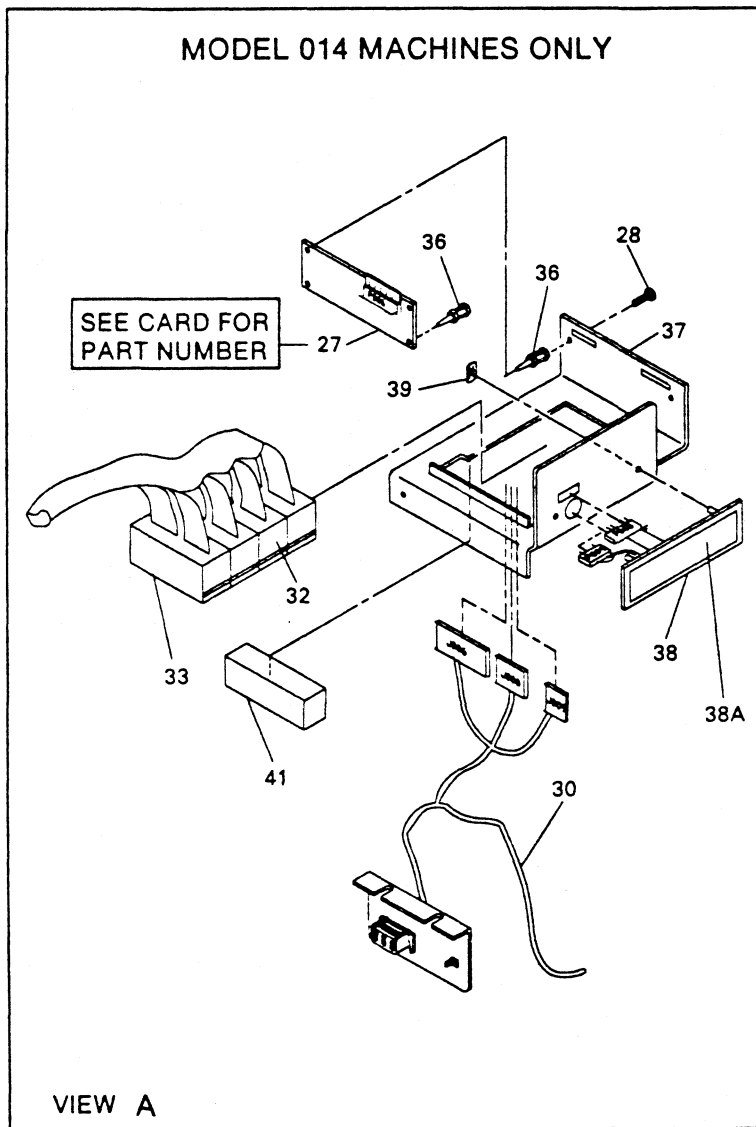
Asm - Index	Part Number	Units	Description
16-90	4441278	1	• Retainer, Cable
-91	1621192	1	• Screw, Slot Pan Hd, M4 X 12mm Long
-92	402218	3	• Retainer, Cable
-93	1621176	3	• Screw, Slot Pan Hd, M3 X 4mm Long
-94	68X9533	1	• Brace, Pivot Block
-95	68X9551	1	• Bracket, Right Hand
-96	1621191	4	• Screw, Slot Pan Hd, M4 X 10mm Long
-97	1622318	4	• Lockwasher, Split, M4, 7.6mm OD X 0.9 Thk
-98	1622304	4	• Washer, Flat, M4, 9mm OD X 0.8 Thk
-99	68X9550	2	• Roller, Tray
-100	1126830	2	• Ring, Retainer
-101	68X9532	1	• Tray Assembly
-102	68X9552	1	• Bracket, Left Hand
-103	1621191	4	• Screw, Slot Pan Hd, M4 X 10mm Long
-104	1622318	4	• Lockwasher, Split, M4, 7.6mm OD X 0.9 Thk
-105	1622304	4	• Washer, Flat, M4, 9mm OD X 0.8 Thk
-106	68X9550	2	• Roller, Tray
-107	1126830	2	• Ring, Retainer
-108	68X9574	1	• Brace, Lift Mechanism Frame
-109	1621194	3	• Screw, Slot Pan Hd, M4 X 20mm Long
-110	1622304	3	• Washer, Flat, M4, 9mm OD X 0.8 Thk
-111	1622318	3	• Lockwasher, Split, M4, 7.6mm OD X 0.9 Thk
-112	1622403	3	• Nut, Double Chamfer Hex, M4
-113	174361	1	• Jumper Assembly, Ground
-114	402273	1	• Cable Assembly, Static Ground
-115	1621197	1	• Screw, Slot Pan Hd, M4 X 6mm Long
-116	1622346	1	• Lwasher, Ext Tooth, M4, 8.5mm OD X 0.5 Thk
-117	1621197	1	• Screw, Slot Pan Hd, M4 X 6mm Long
-118	1622304	1	• Washer, Flat, M4, 9mm OD X 0.8 Thk
-119	1622346	1	• Lwasher, Ext Tooth, M4, 8.5mm OD X 0.5 Thk
-120	68X9479	1	• Retainer, Tray Detent (Only Machines with EC A81282 have this Retainer).
-121	68X9480	1	• Bracket, Retainer (Only Machines with EC A81282 have this Bracket).
-122	1621171	4	• Screw, Slot Pan Hd, M3 X 8mm Long (Machines with ECA81282 only. See Index 16-120 and 121.)
-123	1622316	4	• Lwasher, Split, M3, 6.2mm OD X 0.8 Thk (Machines with ECA81282 only. See Index 16-120 and 121.)
-124	1622302	4	• Washer, Flat, M3, 7.0mm OD X 0.5 Thk (Machines with ECA81282 only. See Index 16-120 and 121.)

Assembly 17: Cable Routing Distribution

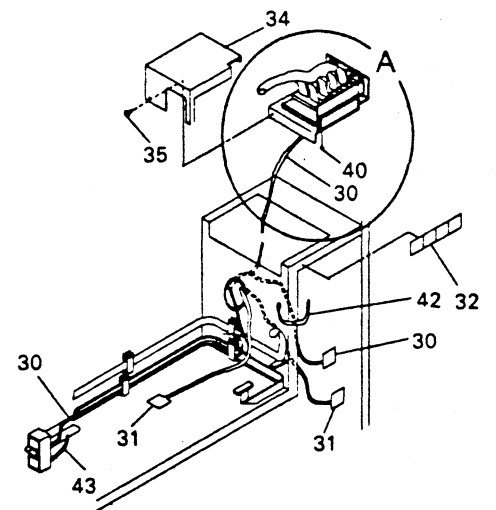


Asm - Index	Part Number	Units	Description
17-1	6853495	1	• Cable Assembly, Internal Signal
-2	6854773	2	• Seal, Cable
-4	6853487	1	• Cable Assembly, 220V AC Control
-4A	1159913	1	• • Tie, Cable
-5	6853481	1	• Cable Asm (Logic Gate to AC Control Card)
-6	2513269	1	• Clamp, Cable (Adhesive Backed)
-6	2162903	1	• Clamp, Cable (Pop-In)
-7	6853218	2	• Cover
-8	6855095	4	• Screw, Hex Hd w/Washer, M5 X 13mm Long
-9	853288	4	• Core
-10	2162905	1	• Clamp, Cable
-11	2513268	2	• Clamp, Cable (Adhesive Backed)
-11	2162903	2	• Clamp, Cable (Pop-In)
-12	2162912	2	• Clamp, Cable
-13	6853481	REF	• Cable Asm (Logic Gate to Lower Hammer Driver Card)
-14	6853481	REF	• Cable Asm (Logic Gate to Upper Hammer Driver Card)
-15	6853481	REF	• Cable Asm (Logic Gate to Carriage Driver Card)
-16	1310209	5	• Clamp, Cable (Adhesive Backed)
-16	6060894	5	• Clamp, Cable (Pop-In)
-17	6853473	1	• Cable Assembly, +5V DC Power
-18	4783688	1	• Clamp, Cable (Adhesive Backed)
-18	2162901	1	• Clamp, Cable (Pop-In)
-19	2162909	1	• Clamp, Cable

Assembly 17: (continued)



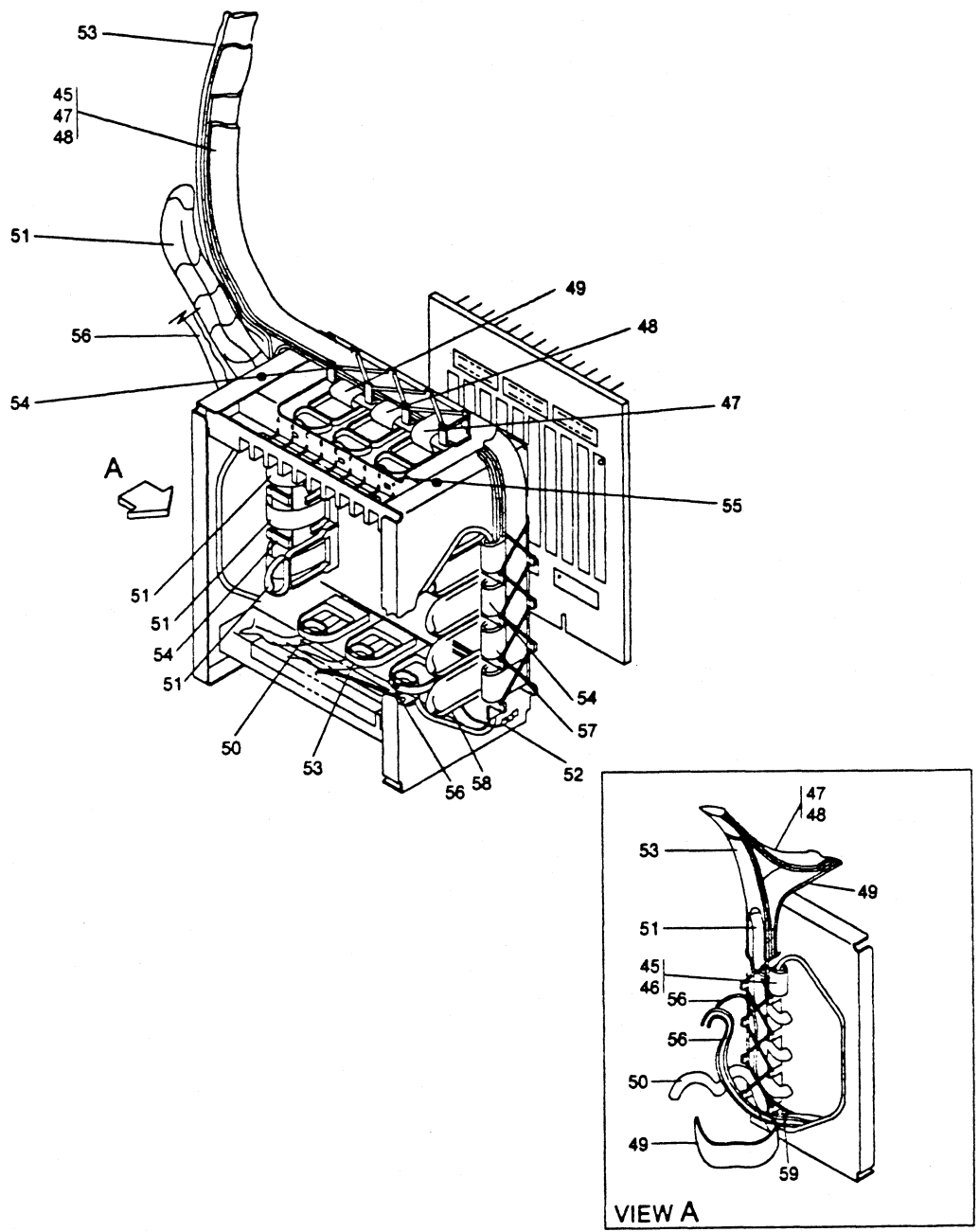
INSIDE FRONT VIEW



PARTIAL RIGHT END VIEW

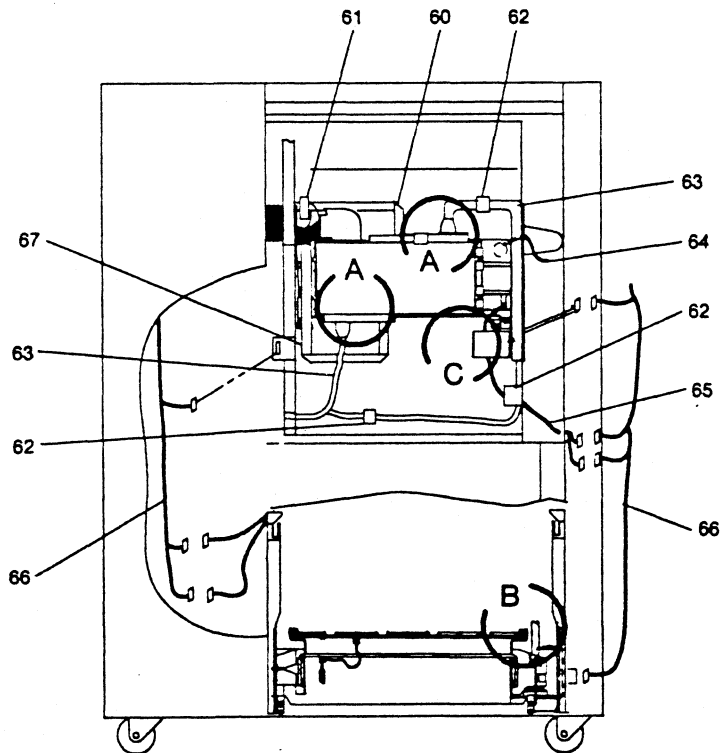
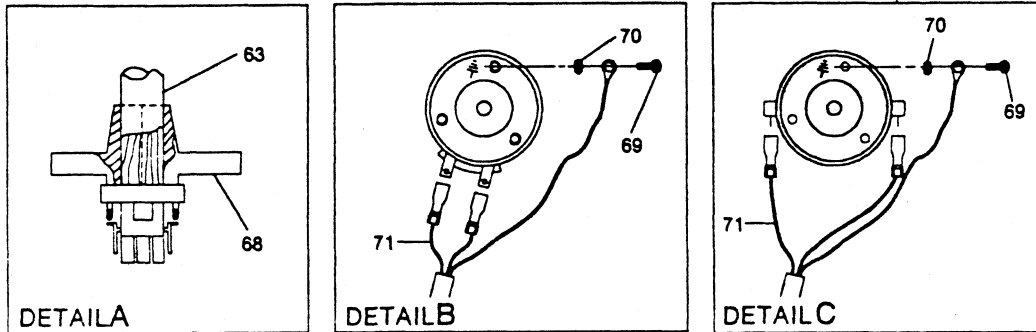
Asm - Index	Part Number	Units	Description
17-20	6853495	REF	• Cable Assembly, Internal Signal
-21	6853218	1	• Cover
-22	6855095	2	• Screw, Hex Hd w/Washer, M5 X 13mm Long
-23	853288	2	• Core
-24	6853481	REF	• Cable Asm (Logic Gate to Upper Hammer Driver Card)
-25	6853469	1	• Cable Asm, Hammer Driver Voltage Supply
-26	6853481	REF	• Cable Asm (Logic Gate to Lower Hammer Driver Card)
-27	0000000	1	• Card Assembly, Auxiliary Op Panel See Card Assembly for Part Number. Used on Model 014 only.
-28	1138973	2	• Screw, Binding Hd, 6-32 X 0.312 Inches Long Used on Model 014 only.
-30	6853488	1	• Cable Asm, Channel Auxiliary Power (Model 014)
-31	6853497	REF	• Cable Asm, Communication (Model D12 or D14)
-31	6853491	REF	• Cable Asm, Communication (Model T12 or T14)
-32	448248	1	• Label, Tailgate Cable Identifier (Mod 014)
-33	6853498	1	• Cable Asm, Channel Interface (Model 014)
-34	4F8451	1	• Cover (Model 014)
-35	1621811	1	• Screw, Hex Hd w/Wshr, Thd Form, M4 X 10mm Long Used on Model 014 only.
-36	4704879	4	• Standoff, Card Mounting (Model 014)
-37	4F8449	1	• Bracket (Model 014)
-38	4F7985	1	• Panel Asm, Auxiliary Channel Attach Used on Model 014 only.
-38A	6854766	1	• Label, Information (Model 014) - English, U.K.
-38A	6854767	1	• Label, Information (Model 014) - German
-38A	6854768	1	• Label, Information (Model 014) - French
-38A	6854769	1	• Label, Information (Model 014) - Italian
-38A	6854770	1	• Label, Information (Model 014) - Spanish
-39	6854716	2	• Clip (Model 014)
-40	1622347	2	• Lockwasher, Ext Tooth, M5 X 10mm OD Used on Model 14 Only.
-41	4F8453	1	• Pad (Used on Model 014 only)
-42	518611	1	• Strap, Ground
-43	6853496	1	• Cable Assembly, DC Power Distribution (All Model 12)
-43	4F8012	1	• Cable Assembly, DC Power Distribution (All Model 14)
-44	6853473	REF	• Cable Assembly, +5V DC Power

Assembly 17: (continued)



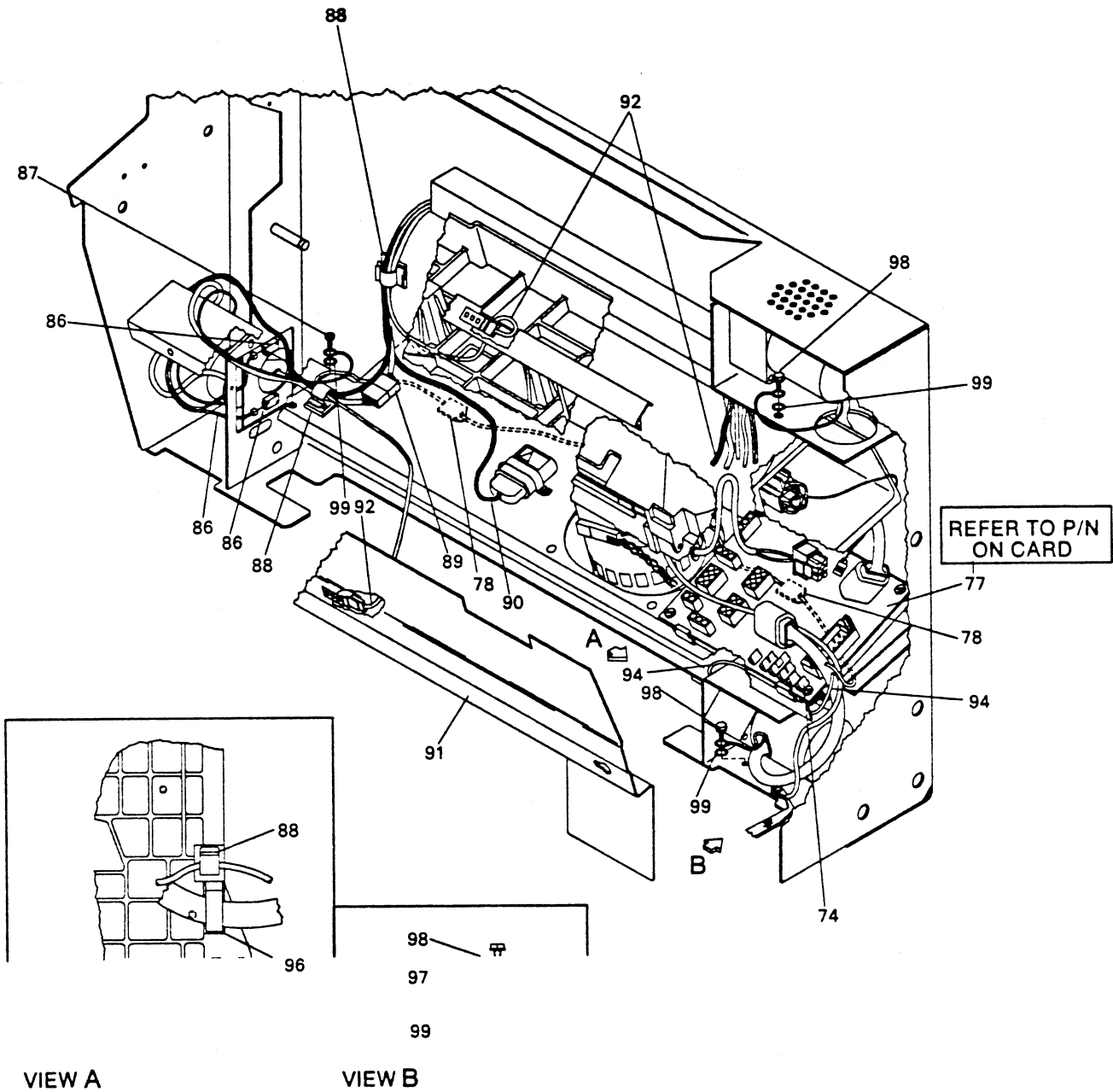
Asm - Index	Part Number	Units	Description
17-45	6853481	REF	• Cable Assembly (Logic Gate to AC Motor Control Card)
-46	1953188	1	• Extender
-47	6853481	REF	• Cable Assembly (Logic Gate to Hammer Driver Card - Upper)
-48	6853481	REF	• Cable Assembly (Logic Gate to Hammer Driver Card - Lower)
-49	6853481	REF	• Cable Assembly (Logic Gate to Carriage Driver Card)
-50	6853496	1	• Cable Assembly, DC Power Distribution (All Model 12)
-50	4F8012	1	• Cable Assembly, DC Power Distribution (All Model 14)
-51	6853495	REF	• Cable Assembly, Internal Signal
-52	6853497	REF	• Cable Assembly, Communication (Ground Lead Portion) Used with D12 or D14
-52	6853491	REF	• Cable Assembly, Communication (Ground Lead Portion) Used with T12 or T14
-53	68X9535	1	• Cable Assembly - Logic Gate to Power Stacker Driver Card (All Model 14)
-54	813519	7	• Retainer, Cable
-55	819296	3	• Extender
-56	6853497	REF	• Cable Assembly, Communication Used with D12 or D14
-56	6853491	REF	• Cable Assembly, Communication Used with T12 or T14
-57	6853498	REF	• Cable Assembly (Model 014)
-58	8486197	4	• Extender (Model 014)
-59	1159519	1	• Tie, Cable

Assembly 17: (continued)



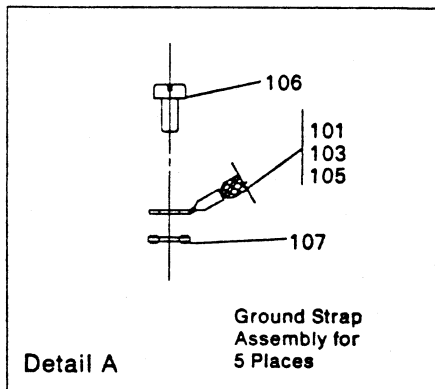
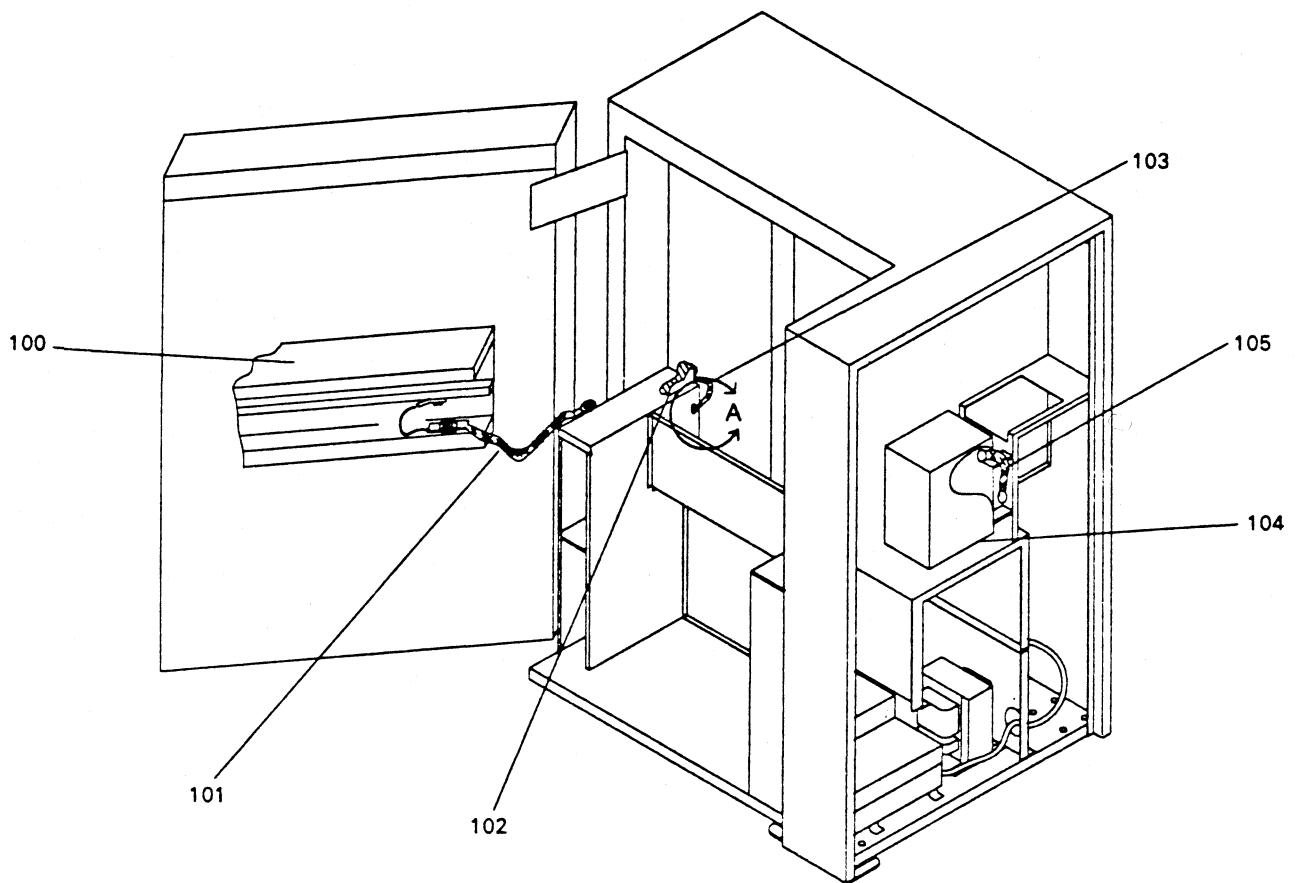
Asm - Index	Part Number	Units	Description
17-60	6853481	REF	• Cable Asm (Logic Gate to Upper Hammer Driver Card)
-61	1310209	1	• Clamp, Cable
-62	2513270	3	• Clamp, Cable
-63	6853469	REF	• Cable Asm (Hammer Driver Voltage Supply)
-64	6853495	REF	• Cable Asm, Internal Signal
-65	6854345	REF	• Cable Asm, Hammer Unit Ground
-66	68X9537	REF	• Cable Assembly, Power Stacker Sensors (All Model 14)
-67	6853481	REF	• Cable Asm (Logic Gate to Lower Hammer Driver Card)
-68	6854330	2	• Seal, Air Duct
-69	1621197	2	• Screw, Slot Pan Hd, M4 X 6mm Long
-70	1622346	2	• Lockwasher, Ext Star, M4, 8mm OD X 0.5 Thk
-71	68X9595	1	• Cable Assembly, Power Stacker Motors (Model 014)

Assembly 17: (continued)



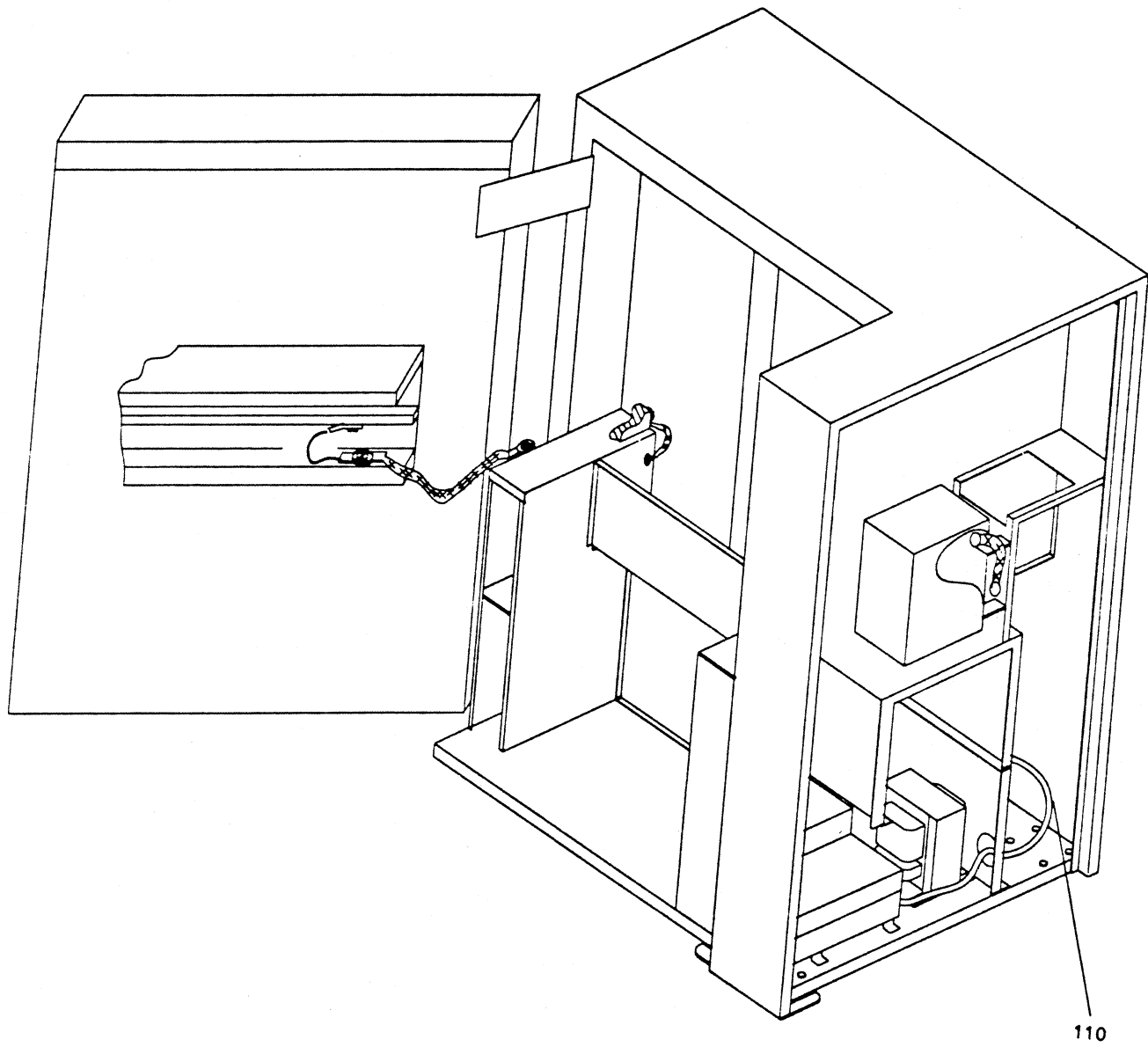
Asm - Index	Part Number	Units	Description
17-74	6854669	1	• Jumper Assembly, Band Cover Interlock
-77	0000000	REF	• Card Assembly, AC Motor Control
-78	4783688	2	• Clamp, Cable
-86	6853494	1	• Cable Assembly, Skew Limit Sensor Machines with EC A49132 (U.S. S/N 50040).
-86	6853342	1	• Cable Assembly, Skew Limit Sensor Machines prior to EC A49132 (U.S. S/N 50040).
-87	1621210	1	• Screw, Slot Pan Hd, M5 X 10mm Long
-88	2513269	3	• Clamp, Cable
-89	6853347	1	• Cable Assembly, Ribbon Skew Motor
-90	6853344	1	• Cable Assembly, Band Drive Motor Capacitors
-91	6854594	REF	• Guide, Ribbon Lower
-92	6853340	1	• Cable Assembly, End of Ribbon
-94	6853343	1	• Cable Assembly, Ribbon Motion
-96	1310209	1	• Clamp, Cable
-97	6853490	1	• Jumper Assembly, Ground
-98	1624775	3	• Screw, Hex Head, M5 X 6mm Long
-99	1622347	4	• Lockwasher, Ext Star, M5 X 10mm OD

Assembly 17: (continued)



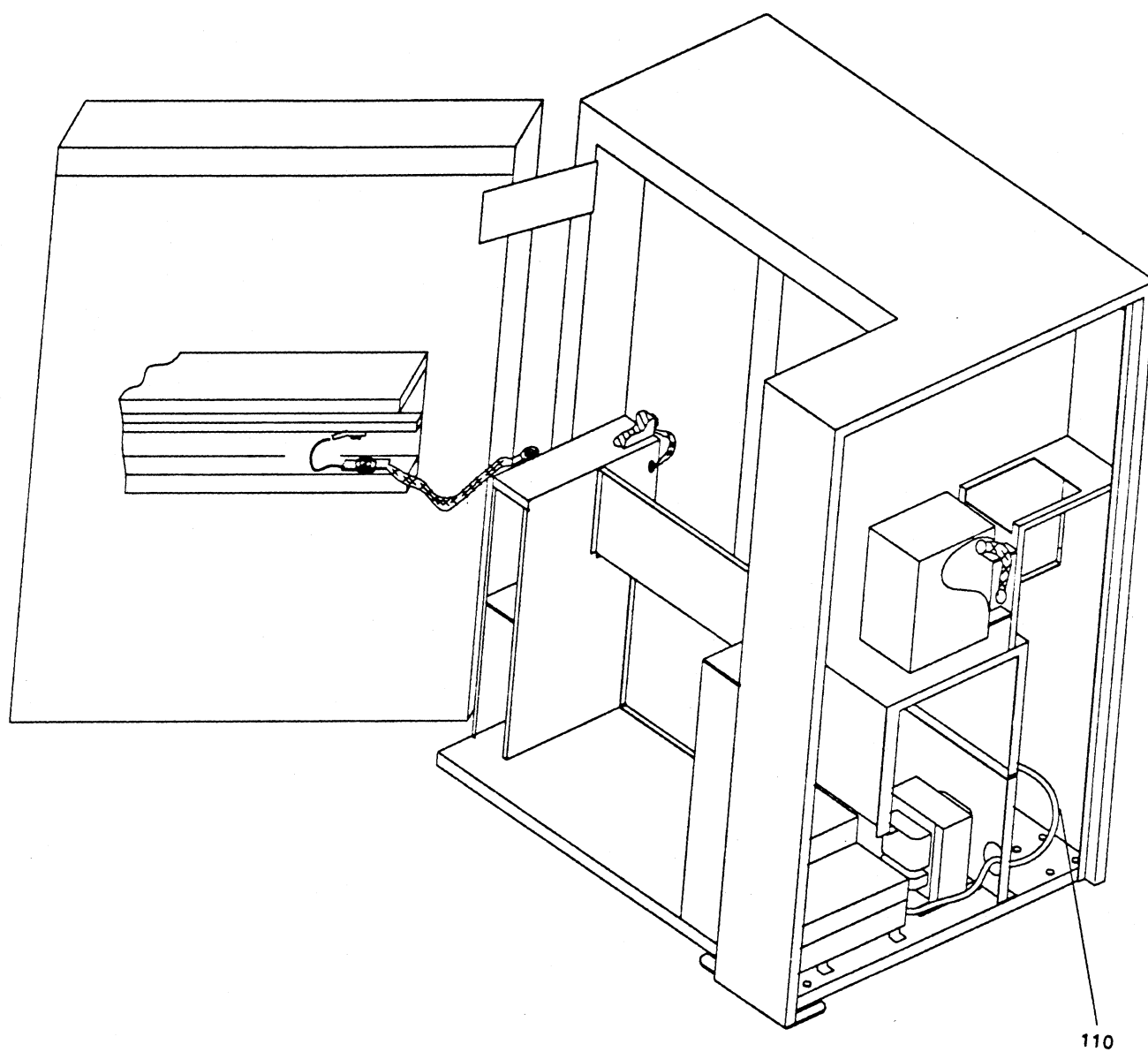
Asm - Index	Part Number	Units	Description
17-100	6855661	REF	• Front Unit Assembly, 60 HZ
-100	6855760	REF	• Front Unit Assembly, 50 HZ For Detail Breakdown, see Assembly 8.
-101	6853490	1	• Jumper Assembly, Ground Front Unit to Frame
-102	6855641	REF	• Carriage Assembly, 50/60 HZ For Detail Breakdown, see Assembly 7.
-103	518611	1	• Jumper Assembly, Ground Carriage Assembly to Frame
-104	6855633	REF	• Gate Assembly (Model D12)
-104	6855631	REF	• Gate Assembly (Model T12)
-104	4F8671	REF	• Gate Assembly (Model O14)
-104	4F8672	REF	• Gate Assembly (Model D14)
-104	4F8673	REF	• Gate Assembly (Model T14) For Detail Breakdown, see Assembly 13.
-105	6853490	1	• Jumper Assembly, Ground Gate Assembly to Frame
-106	1621211	5	• Screw, Slot Pan Hd, M5 X 12mm Long
-107	1622347	5	• Lockwasher, Ext Star, M5 X 10mm OD

Assembly 17: (continued)



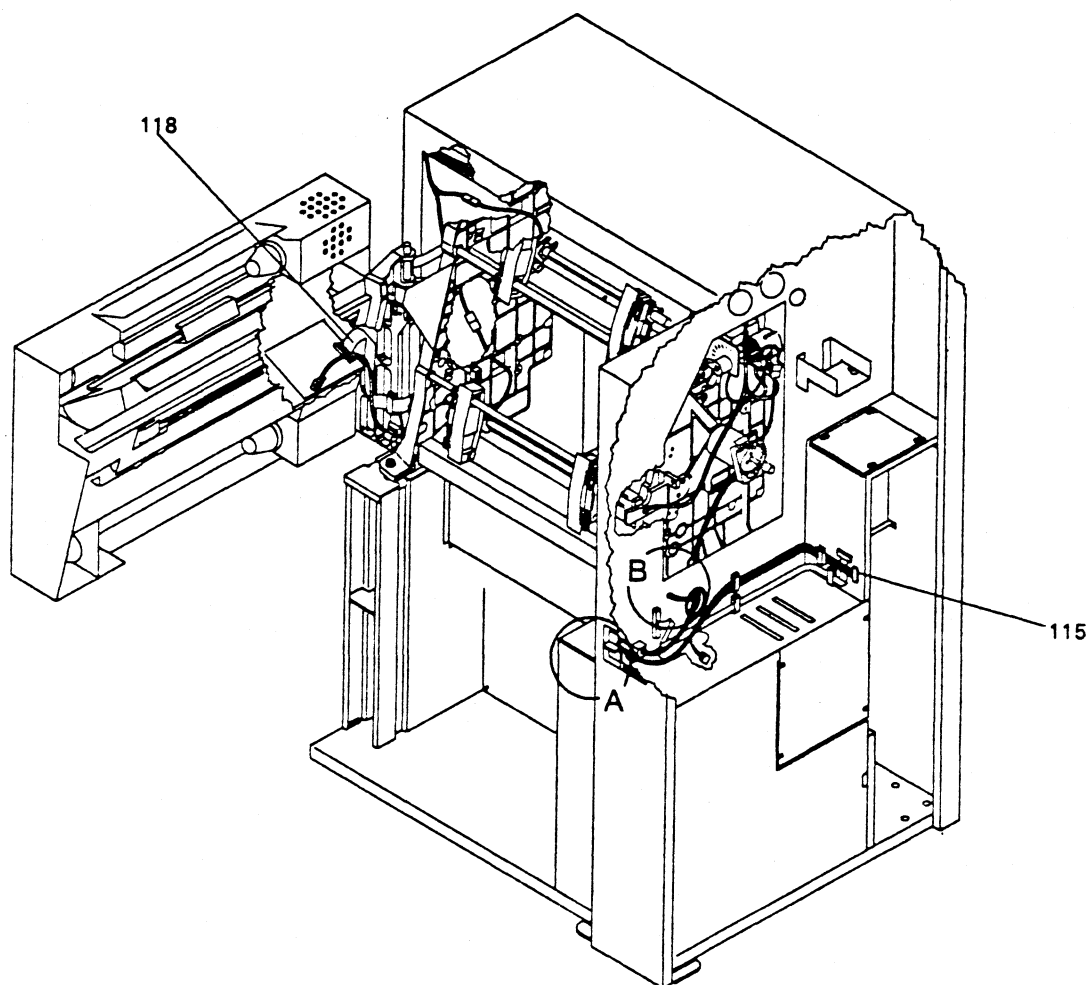
Asm - Index	Part Number	Units	Description
17-110	6853645	1	• Linecord Assembly, 1.8M 15A/125V Twistlock (Chicago Only)
-110	6853644	1	• Linecord Assembly, 4.3M 15A/125V Twistlock (U.S. and Canada)
-110	6853649	1	• Linecord Assembly, 1.8M 15A/125V Watertight (Chicago Only)
-110	6853648	1	• Linecord Assembly, 4.3M 15A/125V Watertight (U.S. and Canada)
-110	6853641	1	• Linecord Assembly, 1.8M 15A/125V Non-Locking (Chicago Only)
-110	6853640	1	• Linecord Assembly, 4.3M 15A/125V Non-Locking (U.S., Canada, Saudi Arabia, Japan, Bahamas, Barbados, Bermuda, Bolivia, Brazil, Guyana, Costa Rica, Equador, Mexico, Dominican Republic, Guatemala, Honduras, Jamaica, Peru, Netherlands Antilles, Nicaragua, Panama, Phillippines, Venezuela, Trinidad, El Salvador, Taiwan, Haiti, Liberia, Colombia)
-110	6853647	1	• Linecord Assembly, 1.8M 10A/250V Twistlock (Chicago Only)
-110	6853646	1	• Linecord Assembly, 4.3M 10A/250V Twistlock (U.S. and Canada)
-110	6853651	1	• Linecord Assembly, 1.8M 10A/250V Watertight (Chicago Only)
-110	6853650	1	• Linecord Assembly, 4.3M 10A/250V Watertight (U.S. and Canada)
-110	6853643	1	• Linecord Assembly, 1.8M 10A/250V Non-Locking (Chicago Only)
-110	6853642	1	• Linecord Assembly, 4.3M 10A/250V Non-Locking (U.S., Canada and Thailand)
-110	6853657	1	• Linecord Assembly, 15 Foot (Ireland, U.K., Malaysia, Singapore, Iraq, Cyprus, Kenya, Kuwait, Malta, Ghana, Tanzania, Qatar, Sierra, Leone, Hong Kong, Bahrain, Libya, Brunei, Ghana, India, Jordan, Malawi, Uganda, Nigeria, Oman, Somalia, Zambia, United Arab Emirates, Antigua, Bermuda, China, Fiji, Channel Islands, Nepal, Polynesia, Yeman)
-110	6853655	1	• Linecord Assembly, 14 Foot (Japan, India, South Korea)

Assembly 17: (continued)

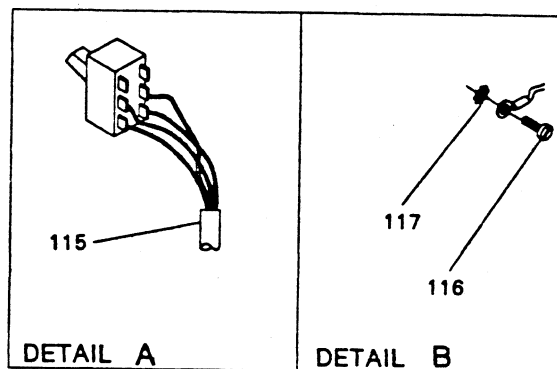


Asm - Index	Part Number	Units	Description
17-110	6853652	1	• Linecord Assembly, 14 Foot (Australia, New Zealand, Argentina)
-110	6853653	1	• Linecord Assembly, 15 Foot (Germany, Sweden, Angola, Egypt, Netherlands, Spain, Norway, Austria, Czechoslovakia, Sudan, Rhodesia, Indonesia, Iran, Bulgaria, Syria, Portugal, East Germany, Iceland, Poland, Rumania, Finland, Zaire, Russia, Turkey, France, Belgium, Algeria, Greece, Lebanon, Hungary, Yugoslavia, Surinam, Afghanistan, Mozambique, Maritius, Luxembourg)
-110	6853656	1	• Linecord Assembly, 15 Foot (Hong Kong, South Africa, Bangladesh, Pakistan, Burma, Sri Lanka)
-110	6853658	1	• Linecord Assembly, 15 Foot (Switzerland, Lichenstein)
-110	6853654	1	• Linecord Assembly, 15 Foot (Denmark)
-110	6853659	1	• Linecord Assembly, 15 Foot (Italy, Chile, Ethiopia, Libya)
-110	6853660	1	• Linecord Assembly, 15 Foot (Israel)

Assembly 17: (continued)

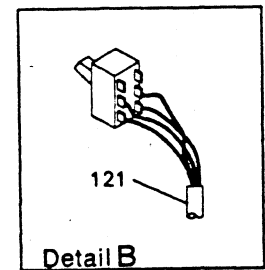
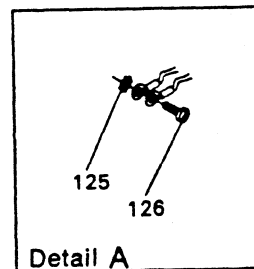
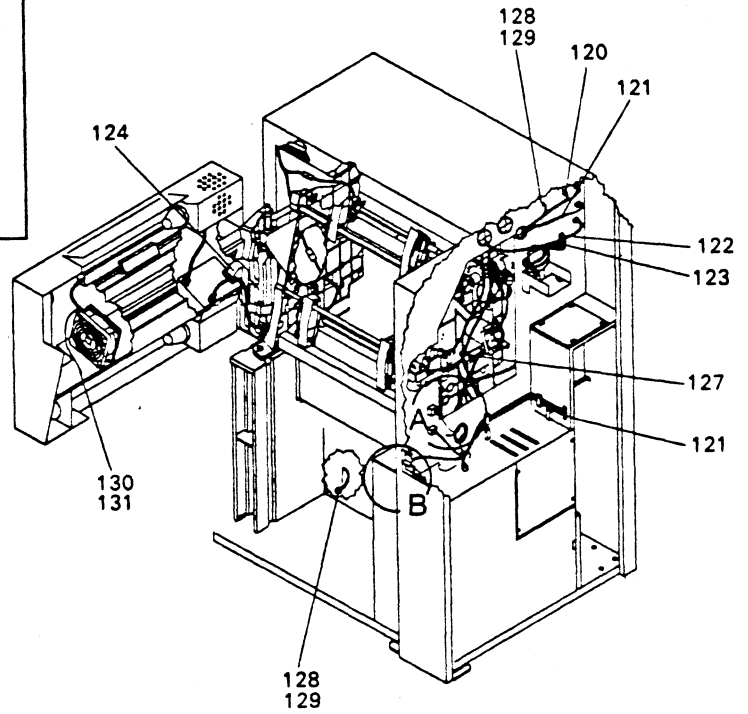
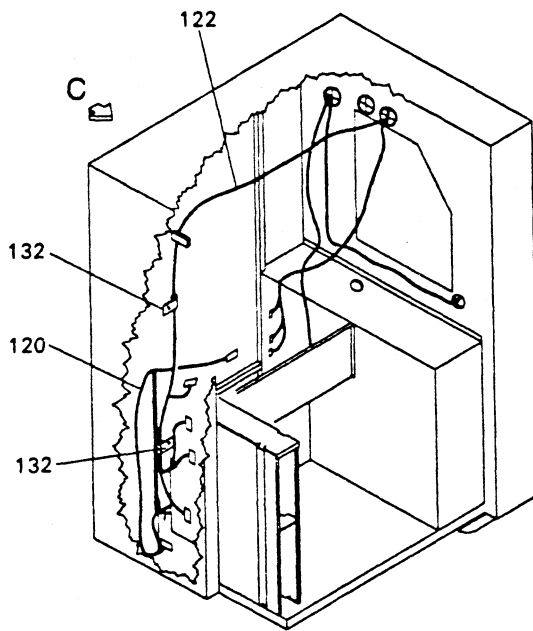
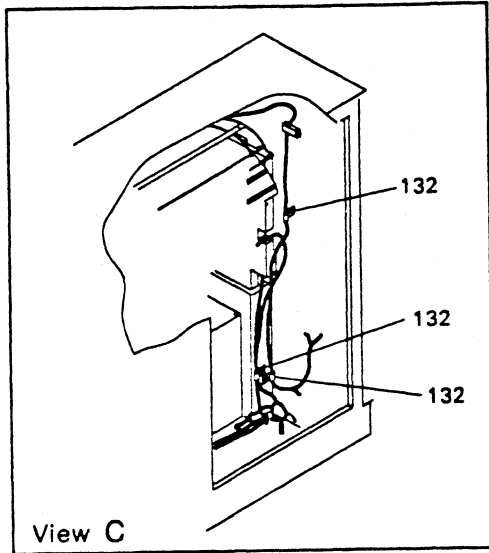


MODEL 12 PRINTERS



Asm - Index	Part Number	Units	Description
17-115	6853496	1	• Cable Assembly, DC Power Distribution (Model 12)
-116	1621172	1	• Screw, Slot Pan Hd, M3 X 10mm Long
-117	1622344	1	• Lockwasher, Ext Star, M3, 7mm OD X 0.4 Thk
-118	6853481	REF	• Cable Asm (Logic Gate to A.C. Control Card)

Assembly 17: (continued)



Asm - Index	Part Number	Units	Description
17-120	68X9595	REF	• Cable Assembly, Power Stacker Motors (Model 14)
-121	4F8012	1	• Cable Assembly, DC Power Distribution (Model 14)
-122	68X9537	1	• Cable Assembly, Power Stacker Sensors (Model 14)
-123	68X9535	1	• Cable Assembly, Logic Gate to Power Stacker Driver Card (Model 14)
-124	6853481	1	• Cable Asm (Logic Gate to A.C. Control Card)
-125	1622344	1	• Lockwasher, Ext Star, M3, 7mm OD X 0.4 Thk
-126	1621172	1	• Screw, Slot Pan Hd, M3 X 10mm Long
-127	1159913	1	• Tiewrap, Cable Retain
-128	1621191	2	• Screw, Slot Pan Hd, M4 X 10mm Long
-129	1622346	2	• Lockwasher, Ext Star, M4, 8mm OD X 0.5 Thk
-130	1621210	1	• Screw, Slot Pan Hd, M5 X 10mm Long
-131	1622347	1	• Lockwasher, Ext Star, M5 X 10mm Thk
-132	2162901	3	• Clamp, Cable

Assembly 17: (continued)

Part Number Index

Part Number	Asm - Index	Page	Part Number	Asm - Index	Page	Part Number	Asm - Index	Page
4564	5-19	21	4F8672	5-47	27	839021	5-32	23
10170	14-7	69		13-	65		14-	69
11598	16-80	77		17-104	91	839022	5-32	23
	16-83	77	4F8673	5-47	27		14-	69
45690	16-81	77		13-	65	839126	14-10	69
	16-82	77		17-104	91	845762	5-32B	23
111259	14-9	69	4F8879	1-12	3	852929	16-78	77
111260	14-9	69	4F8880	1-12	3	853288	17-9	81
123786	5-40A	25	4F8881	1-12	3		17-23	83
138755	5-32C	23	4F8885	5-69A	27	855264	5-58A	27
151598	14-15	69	402218	16-92	79	856508	7-124	45
174361	16-113	79	402273	16-114	79	984117	5-32A	23
184886	1-34	9	402391	16-20	75	984123	5-32C	23
204478	2-16	13		16-72	77	0000000	5-40	25
219743	8-80	53	402614	8-38	51		5-40F	25
237245	7-63	43	402898	8-39	51		5-62A	27
245541	14-30	71	403111	16-47	75		5-67A	27
257982	9-6	55	403114	16-49	75		7-101	45
304883	14-9	69	403131	5-32B	23		7-102	45
317193	14-11	69	403136	5-32C	23		8-57	53
317279	16-44	75	403174	16-48	75		13-2	65
337509	14-34	71	438552	15-4	73		13-5	65
363001	8-48	51		16-37	75		13-6	65
369207	1-28A	7	448248	17-32	83		17-27	83
	5-9	19	513271	6-1A	33		17-77	89
	8-53	51	515730	14-12	69	04F8455	4-2	17
375878	1-26	7	518611	5-16	19	1126829	9-43	57
	5-40G	25		7-34	41	1126830	16-100	79
	5-44	25		17-42	83		16-107	79
	5-66	27		17-103	91	1126835	8-3	47
376063	14-2	69	597218	12-2A	63	1126838	7-97	45
378077	15-21A	73	637733	8-46	51	1138167	7-106	45
378172	7-38	41		8-71	53	1138973	17-28	83
378319	16-77	77	810977	1-28A	7	1154195	15-29	73
378335	8-78	53		5-9	19	1159519	17-59	85
4F7694	7-75	43		8-53	51	1159913	17-4A	81
4F7698	7-72	43	810983	5-32B	23		17-127	99
4F7741	5-17	21	810984	5-32C	23	1310209	7-10	39
	7-	39	813179	13-3	65		17-16	81
4F7745	5-20	21	813519	17-54	85		17-61	87
4F7752	7-69	43	816983	13-7	65		17-96	89
4F7985	17-38	83	818579	13-9	65	1521714	5-84	29
4F8012	17-43	83	819296	17-55	85	1597643	5-69	27
	17-50	85	838956	14-16	69	1611070	9-34	57
	17-121	99	838958	14-16	69	1611347	1-19	5
4F8345	5-29	21	838959	14-16	69		2-19	13
4F8445	5-44D	25	838974	14-6	69	1616564	8-22	49
4F8449	17-37	83	838977	14-28	71	1621023	8-10	47
4F8451	17-34	83	838978	14-28	71	1621025	7-27	41
4F8453	17-41	83	838981	5-36	23	1621026	7-75B	43
4F8643	5-	19	838982	5-36	23	1621081	6-9	33
4F8645	5-	19	838983	5-36	23	1621151	5-29A	21
4F8671	5-47	27	838984	5-36	23	1621156	5-14	19
	13-	65	839020	5-32	23		8-9D	47
	17-104	91		14-	69	1621170	7-46	41

Part Number	Asm - Index	Page	Part Number	Asm - Index	Page	Part Number	Asm - Index	Page
1621170	continued		1621210	continued		1622304	continued	
	7-123	45		17-87	89		16-5	75
	14-7	69		17-130	99		16-98	79
	15-28	73	1621211	5-112	31		16-105	79
1621171	5-40C	25		7-41	41		16-110	79
	7-120	45		7-68	43		16-118	79
	8-58	53		17-106	91	1622305	1-33B	9
	16-122	79	1621231	1-32E	9		3-8	15
1621172	4-4	17		2-11	13		3-16	15
	16-13	75	1621238	7-88	43		5-76	29
	16-65	77	1621430	8-20	49		5-102	31
	16-69	77	1621488	7-21	41		5-113	31
	17-116	97	1621495	13-4	65		7-43	41
	17-126	99	1621496	8-74	53		7-78	43
1621174	7-117	45		15-25	73		7-89	43
	15-10	73		16-50	75		8-9H	47
1621175	9-7	55	1621512	16-41	75		8-9M	47
1621176	5-77	29	1621513	7-70	43		8-64	53
	16-93	79		16-75	77		9-14	55
1621180	14-35	71	1621520	7-76	43	1622306	1-32G	9
1621185	14-13	69	1621521	7-61	43		2-12	13
1621190	5-68	27		7-82	43		7-50	41
	5-104	31	1621527	7-48	41		12-4	63
	8-68	53	1621544	8-17	49	1622307	5-18	21
	11-9	61	1621546	8-41	51		8-18	49
1621191	1-9	3	1621587	7-107	45		8-24	49
	5-34	23	1621670	15-34	73		8-30	51
	5-38	23	1621728	8-31C	51		8-42	51
	5-41	25	1621760	8-15	47	1622308	8-21	49
	8-82	53	1621774	8-33	51	1622316	5-29C	21
	12-2B	63	1621777	5-109	31		7-75C	43
	15-31	73	1621811	10-9	59		7-121	45
	16-4	75		17-35	83		8-11	47
	16-96	79	1621813	5-51	27		16-66	77
	16-103	79	1621816	5-49	27		16-123	79
	17-128	99	1621860	7-36	41	1622318	5-6	19
1621192	5-7	19	1622259	15-32	73		9-25	55
	9-24	55	1622260	7-77	43		14-4	69
	10-3	59	1622261	7-49	41		16-7	75
	16-91	79	1622262	8-52	51		16-97	79
1621193	14-3	69	1622276	9-40	57		16-104	79
	16-10	75	1622292	12-8	63		16-111	79
1621194	16-109	79	1622293	1-25A	7	1622319	3-9	15
1621197	1-22	5		6-5	33		5-75	29
	1-39	11	1622302	5-40D	25		5-101	31
	5-120	31		8-12	47		5-107	31
	14-31	71		14-7A	69		5-114	31
	14-36	71		15-27	73		7-42	41
	15-15	73		16-15	75		8-9G	47
	16-115	79		16-67	77		8-9L	47
	16-117	79		16-71	77		9-13	55
	17-69	87		16-124	79		9-39	57
1621198	16-32	75	1622303	5-29B	21	1622320	6-1B	33
1621199	2-21	13		15-26	73		12-5	63
1621210	5-11	19	1622304	7-108	45	1622321	7-22	41
	5-27	21		8-69	53		7-32	41
	5-59	27		9-26	55	1622344	2-13A	13
	8-44	51		14-5	69		4-5	17
	9-19	55		15-16	73		4-21	17

Part Number	Asm - Index	Page	Part Number	Asm - Index	Page	Part Number	Asm - Index	Page
1622344	continued		1622404	continued		1897191	7-31	41
	5-78	29		8-31B	51	1953188	17-46	85
	6-18	33		8-66	53	1953833	1-38	11
	7-47	41	1622405	6-1C	33	2101089	3-14	15
	8-9A	47		12-6	63	2129665	1-3	3
	17-117	97	1622406	7-24	41	2162901	17-18	81
	17-125	99	1622415	15-18	73		17-132	99
1622346	1-10	3	1622417	7-110	45	2162903	17-6	81
	1-40	11	1622437	7-33	41		17-11	81
	2-22	13	1623316	16-14	75	2162905	17-10	81
	5-14A	19		16-70	77	2162909	17-19	81
	5-35	23	1624744	15-23	73	2162912	17-12	81
	5-39	23	1624766	1-14A	3	2495654	15-3	73
	5-42	25		1-29	7		16-38	75
	5-65	27		6-11	33	2513268	17-11	81
	5-103	31	1624775	8-84	53	2513269	17-6	81
	10-10	59		17-98	89		17-88	89
	12-2C	63	1624777	5-21	21	2513270	7-9	39
	14-32	71		7-85	43		17-62	87
	14-37	71		8-5	47	2549561	1-33E	9
	16-116	79		8-9K	47		2-11A	13
	16-119	79		8-26	49		4-20	17
	17-70	87		8-35	51		6-16	33
	17-129	99		8-37	51	2549782	1-32D	9
1622347	1-33C	9		8-54B	51		1-35D	11
	2-26	13		8-62	53	2633938	13-8	65
	3-15	15		9-11	55	2674358	8-47	51
	5-12	19		9-17	55		12-7	63
	5-28	21		9-22	55	2677385	5-58B	27
	5-60	27		9-28	57	2677389	5-54	27
	5-121	31		9-31	57	2677390	5-55	27
	7-35	41		9-35	57	2677392	5-57	27
	8-51	51	1624778	7-3	39	2682916	5-62	27
	8-65	53		7-5	39	28F0160	8-34	51
	8-85	53		7-66	43	28F0165	9-45	57
	15-35	73		7-74	43	28F0175	9-44	57
	17-40	83		7-80	43	28F0176	9-44A	57
	17-99	89		7-100	45	4012195	12-3	63
	17-107	91		8-9J	47	4012827	9-8	55
	17-131	99	1624780	9-12	55	4035839	9-5	55
1622348	1-32F	9	1624805	8-23	49	4120573	14-14	69
	2-13	13	1624806	8-29	51	4160057	14-6	69
	5-44C	25	1673723	5-64	27	4435637	6-14	33
	6-7	33	1673730	9-38	57	4441278	16-90	79
1622401	5-29D	21	1696016	1-28A	7	4443511	8-73	53
	8-13	47		5-9	19	4443527	8-77	53
	8-75	53		8-53	51	4443528	8-72	53
1622402	8-40	51	1696110	1-28A	7	4443530	8-79	53
1622403	16-112	79		5-9	19	4443615	14-33	71
1622404	1-33D	9		8-53	51	4451771	1-13	3
	2-27	13	1696132	1-28A	7	4521305	1-18	5
	3-10	15		5-9	19	4590143	7-26	41
	3-17	15		8-53	51		8-9C	47
	5-23	21	1743359	5-56	27		15-2	73
	5-74	29	1794806	5-31A	21	4704851	4-12	17
	5-100	31	1794809	9-4	55	4704879	17-36	83
	5-108	31	1869190	1-13	3	4783688	17-18	81
	5-115	31	1894655	1-25	7		17-78	89
	8-9F	47	1897178	7-30	41	5054480	5-58A	27

Part Number	Asm - Index	Page	Part Number	Asm - Index	Page	Part Number	Asm - Index	Page
5212727	1-5	3	68X9505	16-9	75	68X9608	15-9	73
	5-8	19	68X9507	5-96	31	68X9611	15-33	73
5497574	9-21	55	68X9508	16-30	75	68X9612	5-106	31
5508655	14-6	69	68X9511	16-22	75		15-	73
5665710	10-1	59	68X9515	16-46	75	6812823	5-32B	23
	11-	61	68X9516	16-52	75	6812825	5-32B	23
5665720	11-2A	61	68X9518	16-53	75	6815187	5-32C	23
5665728	11-5	61	68X9519	16-33	75	6815188	5-32C	23
5665745	11-2B	61	68X9521	16-35	75	6815191	5-32B	23
5665748	11-1	61	68X9524	16-3	75	6815192	5-32B	23
5685247	5-32B	23	68X9525	16-2	75	6815195	5-32B	23
5689834	2-20	13	68X9531	5-79	29	6825818	5-32C	23
6014269	5-58	27		5-110	31	6825819	5-32C	23
6060894	17-16	81	68X9532	16-101	79	6825820	5-32C	23
6095844	7-119	45	68X9533	16-94	79	6825821	5-32C	23
6119095	5-58A	27	68X9535	17-53	85	6825840	5-32C	23
6119508	6-20	33		17-123	99	6825864	5-32B	23
6121851	5-32C	23	68X9537	17-66	87	6825867	5-32B	23
6170545	5-58B	27		17-122	99	6851865	7-75	43
6196502	1-13	3	68X9539	16-1	75	6851871	7-72	43
6212748	7-75A	43	68X9540	5-97	31	6851907	7-86	43
6436800	8-28	49	68X9542	16-55	75	6851908	7-73	43
	9-	55	68X9543	16-16	75	6851909	7-79	43
6436801	9-2	55		16-21	75	6851911	7-71	43
6436802	9-9	55		16-68	77	6851913	7-112	45
6436803	9-10	55		16-73	77	6851936	7-81	43
6436807	9-27	55	68X9544	16-56	75	6851945	7-99	45
6436808	9-16	55	68X9548	1-41	11	6851974	7-69	43
6436811	9-30	57	68X9549	5-111	31	6851977	7-60	43
6436820	9-15	55	68X9550	16-99	79	6851979	5-4	19
6436830	9-3	55		16-106	79	6851980	7-84	43
6436840	9-29	57	68X9551	16-95	79	6851988	7-98	45
6436850	9-1	55	68X9552	16-102	79	6852006	3-12	15
6436860	9-18	55	68X9554	15-30	73	6852007	7-7	39
6436869	9-20	55	68X9555	16-31	75	6852011	7-6	39
6436875	9-36	57	68X9556	5-119	31	6852013	7-64	43
6436903	9-33	57	68X9557	16-36	75	6852015	7-62	43
6436904	9-32	57	68X9559	16-74	77	6852030	7-109	45
6436905	9-45	57	68X9560	16-79	77	6852033	7-104	45
65X2932	5-56	27	68X9561	5-92	31	6852040	7-65	43
66X3278	7-45	41	68X9563	5-93	31	6852043	7-4	39
68X6551	8-54	51	68X9564	16-3	75	6852044	7-2	39
68X7319	8-54	51	68X9570	5-99	31	6852045	7-65	43
68X9406	15-12	73		16-	75	6852046	7-28	41
68X9410	15-13	73	68X9572	15-1	73	6852056	7-105	45
68X9426	15-22	73	68X9573	15-5	73		7-111	45
68X9428	5-67	27	68X9574	16-108	79	6852059	7-122	45
68X9434	15-21	73	68X9577	1-36	11	6852061	7-20	41
68X9458	15-6	73	68X9578	1-37	11	6852076	7-96	45
68X9479	16-120	79	68X9581	5-92	31	6852077	7-113	45
68X9480	16-121	79	68X9583	5-93	31	6852079	7-103	45
68X9488	1-42	11	68X9591	15-24	73	6852082	7-115	45
68X9489	1-43	11	68X9594	15-14	73	6852083	7-114	45
68X9493	16-74	77	68X9595	17-71	87	6852094	7-95	45
68X9496	16-76	77		17-120	99	6852095	7-44	41
68X9498	16-42	75	68X9600	15-19	73	6852100	7-116	45
68X9499	16-40	75	68X9603	15-17	73	6852101	7-118	45
68X9502	16-51	75	68X9606	15-7	73	6852102	5-20	21
68X9504	16-45	75	68X9607	15-8	73	6852105	7-67	43

Part Number	Asm - Index	Page	Part Number	Asm - Index	Page	Part Number	Asm - Index	Page
6852111	9-19	55	6853640	17-110	93	6854625	continued	
6852113	7-95	45	6853641	17-110	93		8-32	51
6853215	13-1	65	6853642	17-110	93		8-59	53
6853216	5-48	27	6853643	17-110	93	6854626	8-36	51
6853217	5-50	27	6853644	17-110	93	6854627	8-61	53
6853218	17-7	81	6853645	17-110	93	6854628	8-63	53
	17-21	83	6853646	17-110	93	6854630	8-49	51
6853340	17-92	89	6853647	17-110	93	6854632	7-29	41
6853342	8-9C	47	6853648	17-110	93	6854639	8-25	49
	17-86	89	6853649	17-110	93	6854640	8-70	53
6853343	8-86	53	6853650	17-110	93		8-76	53
	17-94	89	6853651	17-110	93	6854641	8-19	49
6853344	17-90	89	6853652	17-110	95	6854642	8-45	51
6853347	17-89	89	6853653	17-110	95	6854643	8-54A	51
6853469	17-25	83	6853654	17-110	95	6854644	8-27	49
	17-63	87	6853655	17-110	93	6854646	8-43	51
6853473	17-17	81	6853656	17-110	95	6854648	8-81	53
	17-44	83	6853657	17-110	93	6854649	9-42	57
6853481	17-5	81	6853658	17-110	95	6854657	9-23	55
	17-13	81	6853659	17-110	95	6854668	9-41	57
	17-14	81	6853660	17-110	95	6854669	17-74	89
	17-15	81	6854314	5-5	19	6854674	8-67	53
	17-24	83	6854318	10-4	59	6854675	8-56	53
	17-26	83	6854325	11-10	61	6854676	8-83	53
	17-45	85	6854326	11-8	61	6854682	8-14	47
	17-47	85	6854330	17-68	87	6854683	8-9B	47
	17-48	85	6854334	5-22	21	6854684	7-23	41
	17-49	85	6854336	10-6	59	6854686	9-20	55
	17-60	87	6854337	5-61	27	6854687	8-31A	51
	17-67	87	6854339	5-61A	27	6854694	9-44B	57
	17-118	97	6854345	5-15	19	6854695	9-44C	57
	17-124	99		10-8	59	6854711	1-23A	5
6853487	17-4	81		17-65	87	6854716	1-2A	3
6853488	5-44A	25	6854347	11-13	61		1-11	3
	17-30	83	6854349	10-2	59		1-17	5
6853490	5-10	19	6854360	11-3	61		15-36	73
	5-26	21		11-6	61		17-39	83
	5-52	27		11-11	61	6854717	1-4	3
	17-97	89	6854367	5-13	19	6854718	1-2	3
	17-101	91	6854369	11-2	61	6854720	1-1	3
	17-105	91	6854381	10-5	59	6854721	1-23	5
6853491	5-44A	25	6854388	5-13	19	6854723	1-7	3
	17-31	83	6854391	5-13A	19	6854728	1-8	3
	17-52	85	6854521	7-83	43	6854731	1-7A	3
	17-56	85	6854560	8-28	49	6854732	1-7A	3
6853494	17-86	89		9-	55	6854733	1-7A	3
6853495	17-1	81	6854580	8-1	47	6854734	1-7A	3
	17-20	83	6854581	8-14	47	6854735	1-7A	3
	17-51	85	6854585	8-2	47	6854738	1-23D	7
	17-64	87	6854588	8-14	47	6854739	1-23D	7
6853496	17-43	83	6854589	8-9	47	6854740	1-23D	7
	17-50	85	6854594	8-4	47	6854741	1-23D	7
	17-115	97		17-91	89	6854742	1-23D	7
6853497	5-44A	25	6854596	8-31	51	6854745	1-23D	7
	17-31	83	6854597	8-9B	47	6854746	1-23D	7
	17-52	85	6854605	8-16	49	6854747	1-23D	7
	17-56	85	6854615	5-31	21	6854748	1-23D	7
6853498	17-33	83		8-60	53	6854749	1-23D	7
	17-57	85	6854625	5-30	21	6854752	1-16A	5

Part Number	Asm - Index	Page	Part Number	Asm - Index	Page	Part Number	Asm - Index	Page
6854752	continued		6855025	continued		6855118	2-10	13
	1-23B	5		12-2	63	6855120	2-25	13
6854753	1-16A	5	6855027	12-1	63	6855124	2-23	13
	1-23B	5	6855028	1-6	3	6855125	3-7	15
6854754	1-16A	5	6855032	6-28	35	6855126	2-10A	13
	1-23B	5	6855037	6-39	37		4-17	17
6854755	1-16A	5	6855039	2-2	13		6-15	33
	1-23B	5	6855040	2-3	13	6855127	2-12A	13
6854756	1-16A	5	6855041	2-4	13		4-19	17
	1-23B	5	6855042	2-5	13		6-17	33
6854759	1-7A	3	6855046	2-15	13	6855128	4-13	17
6854760	1-7A	3	6855048	6-45	37	6855129	4-6	17
6854761	1-7A	3	6855049	6-43	37	6855130	4-9	17
6854762	1-7A	3	6855051	6-8	33	6855131	1-20	5
6854763	1-7A	3	6855056	1-15	3	6855133	1-14B	3
6854766	1-23D	7	6855058	1-14	3		12-2	63
	17-38A	83		12-	63	6855137	4-15	17
6854767	1-23D	7	6855059	4-14	17	6855138	4-22	17
	17-38A	83	6855063	1-28	7	6855139	4-24	17
6854768	1-23D	7	6855071	6-12	33	6855140	4-23	17
	17-38A	83	6855072	6-25	35	6855142	6-41	37
6854769	1-23D	7	6855073	6-26	35	6855143	6-44	37
	17-38A	83	6855074	6-10	33	6855144	2-28	13
6854770	1-23D	7	6855079	3-6	15	6855145	6-36	37
	17-38A	83	6855080	3-5	15	6855146	6-37	37
6854773	17-2	81	6855081	3-4	15	6855147	6-38	37
6854774	1-16A	5	6855083	1-32A	9	6855148	6-35	37
	1-23B	5	6855084	6-40	37	6855149	6-42	37
6854775	1-16A	5	6855086	2-7	13	6855150	2-29	13
	1-23B	5	6855087	2-8	13	6855152	3-11	15
6854776	1-16A	5	6855089	5-63	27	6855154	6-46	37
	1-23B	5	6855093	2-9	13	6855160	6-47	37
6854777	1-16A	5	6855095	4-10	17		6-48	37
	1-23B	5		4-11	17	6855161	1-23C	5
6854778	1-16A	5		5-33	23		1-24A	7
	1-23B	5		5-37	23		1-32B	9
6854880	7-1	39		5-40E	25		1-32C	9
6854897	1-16	5		5-44B	25		1-33A	9
6855000	1-31	9		5-94	31		1-35B	11
	6-	33		5-95	31		1-35C	11
6855001	1-32	9		5-98	31		6-3	33
	2-	13		5-105	31		6-6	33
6855002	1-33	9		17-8	81		6-29	35
	3-	15		17-22	83	6855162	14-21	71
6855003	1-35	11	6855096	6-13	33		14-24	71
	4-	17	6855098	3-18	15		14-25	71
6855004	2-1	13		4-18	17		14-27	71
6855005	6-1	33	6855099	3-13	15	6855163	2-30	13
6855006	3-1	15	6855103	1-21	5	6855164	3-19	15
6855007	4-1	17		5-87	29	6855171	1-24	7
6855008	6-2	33	6855105	6-27	35	6855207	5-85	29
6855010	1-30	9	6855107	1-35A	11	6855214	5-88	29
6855013	2-14	13	6855109	4-7	17	6855219	5-72	29
6855014	2-17	13	6855110	4-8	17	6855220	5-73	29
6855016	2-18	13	6855112	6-30	35	6855229	5-71	29
6855017	6-4	33	6855113	6-19	33	6855238	5-86	29
6855023	3-2	15	6855114	2-24	13	6855419	8-6	47
6855024	3-3	15	6855116	2-6	13		8-6A	47
6855025	1-14B	3	6855117	4-16	17		8-6B	47

Part Number	Asm - Index	Page
6855420	8-7	47
6855421	5-25	21
	8-8	47
6855424	5-53	27
6855427	1-28A	7
	5-9	19
	8-53	51
6855429	5-53	27
6855432	1-12	3
6855433	1-12	3
6855446	5-53	27
6855447	5-53	27
6855611	1-	3
	5-1	19
6855631	5-47	27
	13-	65
	17-104	91
6855633	5-47	27
	13-	65
	17-104	91
6855641	5-17	21
	7-	39
	17-102	91
6855651	5-3	19
	10-	59
6855661	5-24	21
	8-	47
	17-100	91
6855700	5-	19
6855701	5-	19
6855714	8-55	53
6855760	5-24	21
	8-	47
	17-100	91
6932640	5-43	25
6932650	14-29	71
6932652	14-29	71
6932655	14-20	71
6932656	14-22	71
6932689	14-23	71
6932694	14-15	69
6932697	5-40B	25
6932704	14-26	71
6932705	14-1	69
6932706	14-8	69
8326797	1-28A	7
	5-9	19
	8-53	51
8326798	1-28A	7
	5-9	19
	8-53	51
8326799	1-28A	7
	5-9	19
	8-53	51
8326800	1-28A	7
	5-9	19
	8-53	51
8326801	1-28A	7
	5-9	19

Part Number	Asm - Index	Page
8326801	continued	
	8-53	51
8486197	17-58	85
8551903	5-32C	23
8551904	1-28A	7
	5-9	19
	8-53	51
8551907	5-32B	23
89X1928	1-16B	5



6262 Printer
IBM 6262 Printer Models D12, T12, D14, T14 and 014
Order No. S124-0160-03

**READER'S
COMMENT
FORM**

Is there anything you especially like or dislike about this book? Feel free to comment on specific errors or omissions, accuracy, organization, or completeness of this book.

IBM may use or distribute whatever information you supply in any way it believes appropriate without incurring any obligation to you, and all such information will be considered nonconfidential.

Note: Do not use this form to report system problems or to request copies of publications. Instead, contact your IBM representative or the IBM branch office serving you.

Would you like a reply? YES NO

Please print your name, company name, and address:

IBM Branch Office serving you:

Thank you for your cooperation. You can either mail this form directly to us or give this form to an IBM representative who will forward it to us.

S124-0160-03

Reader's Comment Form

CUT
OR
FOLD
ALONG
LINE

Fold and tape

Please Do Not Staple

Fold and tape



BUSINESS REPLY MAIL
FIRST-CLASS MAIL PERMIT NO. 40 ARMONK, NY

POSTAGE WILL BE PAID BY ADDRESSEE

NO POSTAGE
NECESSARY
IF MAILED
IN THE
UNITED STATES



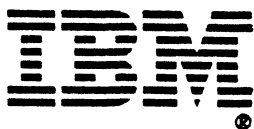
INTERNATIONAL BUSINESS MACHINES CORPORATION
DEPARTMENT K10
PO BOX 6
ENDICOTT NY 13760-9987



Fold and tape

Please Do Not Staple

Fold and tape





IBM[®]

S124-0160-3

S124-0160-3

