

AS/400e series



# Workstation Customization Programming

*Version 4*



AS/400e series



# Workstation Customization Programming

*Version 4*

**Note**

Before using this information and the product it supports, be sure to read the general information in "Notices" on page 395.

**First Edition (September 1998)**

This edition applies to version 4, release 3, modification 0 of IBM Operating System/400 (product number 5769-SS1) and to all subsequent releases and modifications until otherwise indicated in new editions. This edition applies only to reduced instruction set computer (RISC) systems.

© **Copyright International Business Machines Corporation 1998. All rights reserved.**

Note to U.S. Government Users — Documentation related to restricted rights — Use, duplication or disclosure is subject to restrictions set forth in GSA ADP Schedule Contract with IBM Corp.

---

# Contents

Figures . . . . .	xi
Tables . . . . .	xiii
<b>About Workstation Customization Programming (SC41-5605)</b> . . . . .	xv
Who should read this book . . . . .	xv
Conventions and terminology used in this book . . . . .	xv
AS/400 Operations Navigator . . . . .	xvi
Installing Operations Navigator subcomponents . . . . .	xvii
Accessing AS/400 Operations Navigator . . . . .	xvii
Prerequisite and related information . . . . .	xviii
How to send your comments . . . . .	xviii

---

<b>Part 1. Customizing Workstations</b> . . . . .	1
<b>Chapter 1. Planning For and Setting Up Workstation Customizing</b> . . . . .	3
Workstation Customizing Overview . . . . .	3
Preparing for Workstation Customizing . . . . .	5
Workstation Controllers . . . . .	6
Displays . . . . .	7
ASCII Printers . . . . .	7
OS/400 Workstation Customizing Function Limitations . . . . .	7
Setting Up Workstation Customizing . . . . .	7
Errors and Recovery . . . . .	9
Verifying That Planning Is Complete . . . . .	10
<b>Chapter 2. Retrieving the Workstation Customizing Source</b> . . . . .	11
Devices That Use the Emulator on the Workstation Controller or Display . . . . .	11
Retrieving Source for Devices That Use the Emulator on the Workstation Controller or the Display . . . . .	11
Printers that Use the Host Print Transform Function . . . . .	13
Retrieving Source for ASCII Printers That Use the Host Print Transform Function . . . . .	13
Retrieving Source for Devices Not Supported by IBM . . . . .	13
Errors and Recovery . . . . .	14
Verifying the Source Is Retrieved Successfully . . . . .	15
<b>Chapter 3. Changing the Source to Customize Your Workstations</b> . . . . .	17
Using Control Codes, Escape Sequences, and Control Sequences . . . . .	17
Structure of Customizing Objects . . . . .	18
Using Source Entry Utility to Change the Tags and Keywords . . . . .	19
General Programming Considerations for Workstation Customizing . . . . .	20
Finding the Hexadecimal Values for the Tags . . . . .	21
Errors and Recovery . . . . .	21
Verifying That the Source Changes Are Complete . . . . .	22
<b>Chapter 4. Creating the Workstation Customizing Object</b> . . . . .	23
Compiling and Creating the Workstation Customizing Object . . . . .	23
Errors and Recovery . . . . .	24
Verifying the Workstation Customizing Object Is Created . . . . .	25
<b>Chapter 5. Testing the Customizing Object</b> . . . . .	27
Changing the Device Description . . . . .	27

Varying On the Device . . . . .	27
Starting the Printer Writer for a Printer That Uses Host Print Transform Function . . . . .	28
Errors and Recovery . . . . .	28
Verifying a Successful Vary On . . . . .	32

---

## Part 2. Display and Keyboard Customization Technical Reference . . . . . 33

<b>Chapter 6. Customizing Displays and Keyboards . . . . .</b>	<b>35</b>
Determining Whether a Display or Keyboard Can Be Customized . . . . .	35
Understanding Function Support for Displays and Keyboards . . . . .	35
Customizing Twinaxial Displays . . . . .	36
Customizing ASCII Displays. . . . .	36

<b>Chapter 7. Customizing Twinaxial Displays . . . . .</b>	<b>39</b>
Types of Displays and Keyboards . . . . .	39
Customizing Unsupported Twinaxial Displays . . . . .	41
Working with Keyboard Translation Tables and the Workstation Controller . . . . .	41
Keyboard Scan Codes. . . . .	42
National Language Requirements. . . . .	47
EBCDIC Code Page Standards . . . . .	47
Keyboard Layout Standards. . . . .	48
Customizing Restrictions for Twinaxial Display Keyboards. . . . .	48
122-Key Typewriter Keyboard Translation Table Restrictions . . . . .	50
122-Key Data Entry Keyboard Translation Table Restrictions. . . . .	50
5250 Typewriter Keyboard Translation Table Restrictions . . . . .	50
5250 Data Entry Keyboard Translation Table Restrictions . . . . .	51
Enhanced Keyboard Translation Table Restrictions . . . . .	51
Determining Which Twinaxial Keyboard Translation Table to Customize. . . . .	51
Twinaxial Display Source Format . . . . .	52
Changing the Entries in Your Workstation Customizing Source . . . . .	54
Changing Source Entries for Scan Codes That Are Not Valid . . . . .	61
Keyboard Functions Not Specified in Translation Tables . . . . .	61
Working with the Tag Language for Twinaxial Displays . . . . .	62
Using the Tags to Customize Twinaxial Display Keyboards . . . . .	62
Keyboard Translation Table (TKBDTBL) Tag . . . . .	63
Keyboard Translation State Table (TKSTATE) Tag. . . . .	65
Customizing a 3477 Twinaxial Display for Diacritic Character Support . . . . .	68
Step 1: Planning the Customizing. . . . .	68
Step 2: Retrieving the Workstation Customizing Source . . . . .	69
Step 3: Changing the Source . . . . .	70
Step 4: Creating the Workstation Customizing Object . . . . .	70
Step 5: Varying On the Device. . . . .	71

<b>Chapter 8. Customizing ASCII Displays . . . . .</b>	<b>73</b>
Beginning to Customize ASCII Displays . . . . .	73
Customizing Unsupported ASCII Displays. . . . .	74
Working with ASCII Displays and the Local ASCII Workstation Controller . . . . .	75
Twinaxial Device Emulation . . . . .	77
ASCII Character Sets and Code Pages . . . . .	78
ASCII Control Codes . . . . .	79
ASCII Command Sequences . . . . .	79
ASCII Display Keyboard Operations. . . . .	80
Processing Data for an ASCII Display . . . . .	84
Mapping Tables for ASCII Display Keyboards . . . . .	85
Mapping Tables for ASCII Display Screens . . . . .	89

Customizing Restrictions for ASCII Displays . . . . .	90
Determining Which ASCII Display Tables to Customize . . . . .	92
Working with the Tag Language for ASCII Displays . . . . .	93
Using the Tags to Customize an ASCII Display Screen . . . . .	95
Working with the Update Screen Table . . . . .	95
Update Screen Tags . . . . .	104
Working with the EBCDIC-to-ASCII Code Mapping Table . . . . .	117
Using the Tags to Customize an ASCII Display Keyboard . . . . .	119
Working with the ASCII to Keyboard Function Mapping Table . . . . .	119
Working with the ASCII-to-EBCDIC Mapping Table . . . . .	123
Customizing a DEC VT-320 Display in VT-300 Mode . . . . .	125
Step 1: Planning the Customizing. . . . .	125
Step 2: Retrieving the Workstation Customizing Source . . . . .	126
Step 3: Changing the Source . . . . .	127
Step 4: Creating the Workstation Customizing Object . . . . .	127
Step 5: Varying On the Device . . . . .	127

---

**Part 3. Printer Customization Technical Reference . . . . . 129**

<b>Chapter 9. Customizing Printers . . . . .</b>	<b>135</b>
Determining Whether an ASCII Printer Can Be Customized . . . . .	135
Understanding ASCII Printer Function Support . . . . .	135
Choosing a Method for Customizing Printer Functions . . . . .	138
Printers that Use Host Print Transform Function . . . . .	139
Printers that Use the Emulator on the Display . . . . .	140
Printers that Use the Emulator on the Workstation Controller . . . . .	142

<b>Chapter 10. Customizing ASCII Printers That Use the Host Print Transform Function . . . . .</b>	<b>145</b>
Preparing to Customize an ASCII Printer . . . . .	145
Gathering Source Materials . . . . .	145
Completing Printer Setup. . . . .	145
Planning the Customization Schedule . . . . .	146
Customizing Unsupported ASCII Printers . . . . .	146
Retrieving the Workstation Customizing Source . . . . .	146
Understanding the Transform Table . . . . .	146
Choosing the Customizing Source . . . . .	147
Changing the Source . . . . .	147
Transform Table (TRNSFRMTBL) Tag . . . . .	147
Using the Tags . . . . .	148
Programming Considerations . . . . .	148
Customizing Printer Information . . . . .	149
Printer Data Stream (PRTDTASTRM) Tag. . . . .	149
Raster Mode (RASTERMODE) Tag . . . . .	150
No-print Border (NOPRTBDR) Tag . . . . .	151
Drawer Page Size . . . . .	152
Customizing Printer Controls . . . . .	153
Bell (BELL) Tag . . . . .	153
Carrier Return (CARRTN) Tag . . . . .	153
Initialize Printer (INITPRT) Tag. . . . .	153
Reset Printer (RESETPRT) Tag . . . . .	154
Raster Graphics End (RASEND) Tag . . . . .	154
Print All Characters (PRTALLCHR) Tag . . . . .	154
Print Next Character (PRTNXTCHR) Tag . . . . .	155
Customizing Print Media Size . . . . .	155
Envelope Size . . . . .	155

Paper Size . . . . .	156
Page Length . . . . .	157
Printable Area . . . . .	159
Customizing Highlighting . . . . .	161
Bold . . . . .	161
Underscore . . . . .	162
Customizing Horizontal Movement . . . . .	162
Backspace (BSP) Tag . . . . .	162
Characters Per Inch. . . . .	162
Horizontal Absolute Movement (HORAMOV) Tag . . . . .	164
Horizontal Relative Movement (HORRMOV) Tag . . . . .	165
Proportional Spacing . . . . .	167
Space (SPACE) Tag . . . . .	167
Customizing Vertical Movement . . . . .	167
Form Feed (FORMFEED) Tag . . . . .	168
Half Line Feed (HLFLINEFEED) Tag . . . . .	168
Line Feed (LINEFEED) Tag . . . . .	168
Vertical Absolute Movement (VERAMOV) Tag . . . . .	168
Vertical Relative Movement (VERRMOV) Tag . . . . .	169
Reverse Half Line Feed (RVSHLFLINEFEED) Tag . . . . .	171
Reverse Line Feed (RVSLINEFEED) Tag . . . . .	171
Vertical Line Spacing . . . . .	171
Customizing Indexing . . . . .	173
Subscript. . . . .	173
Superscript . . . . .	173
Customizing Color . . . . .	174
Foreground Color (FOREGRND) Tag . . . . .	174
Customizing Paper Input . . . . .	174
Paper Drawer Selection (DWRSLT) Tag . . . . .	174
Selecting Paper Drawer Number (DWRNBR) Tag . . . . .	175
Additional Paper Drawer Selection . . . . .	175
Customizing Paper Output . . . . .	176
Output Bin Selection . . . . .	176
Jog Output Tray . . . . .	177
Duplex . . . . .	178
Simplex . . . . .	178
Customizing Print Orientation . . . . .	179
Print Angle (PRTANGLE) Tag . . . . .	179
Paper Orientation (PRTORIENT) Tag . . . . .	179
Customizing Print Quality. . . . .	180
Print Quality (PRTQLTY) Tag . . . . .	180
Customizing Fonts . . . . .	180
Font Groups . . . . .	181
Individual Fonts . . . . .	182
Font Mapping . . . . .	183
Customizing Code Page Support . . . . .	184
Customizing EBCDIC-to-ASCII Code Page Mapping. . . . .	185
Supporting Additional ASCII Code Pages . . . . .	187
Overriding the Default ASCII Code Page (DFTASCCP) Tag . . . . .	189
Customizing Fax Support. . . . .	189
Fax Size . . . . .	190
Customizing Double-Byte Character Set (DBCS) Support . . . . .	191
CCSID Mapping . . . . .	191
Shift In (SI) Tag . . . . .	192
Shift Out (SO) Tag . . . . .	192
DBCS Space (DBSPACE) Tag . . . . .	192



Character Orientation (CHORIENT) Tag . . . . .	192
Set Character Pitch (SCPITCH) Tag . . . . .	193
Set Line Pitch (SLPITCH) Tag . . . . .	194
Set Font Size Scaling (FONTSCALING) Tag . . . . .	195
Set Font Size Scale (FONTSCALE) Tag . . . . .	196
CPI (Set Characters per Inch) . . . . .	196
Set Grid Type (GLTYPE) Tag . . . . .	197
Set Grid Line Width (GLWIDTH) Tag . . . . .	197
Draw Grid Line (DRAWLINE) Tag . . . . .	198
Printer Data Stream (PRTDTASTRM) Tag . . . . .	199
Creating the Workstation Customizing Object . . . . .	200
Specifying the Workstation Customizing Object . . . . .	200
Deleting the Workstation Customizing Object . . . . .	200
Customizing a Hewlett-Packard LaserJet 4 Printer . . . . .	201
Setting up the Hewlett-Packard LaserJet 4 Printer . . . . .	201
Step 1: Planning the Customizing . . . . .	201
Step 2: Retrieving the Workstation Customizing Object Source . . . . .	202
Step 3: Changing the Source . . . . .	202
Step 4: Creating the Workstation Customizing Object . . . . .	203
Step 5: Specifying the Workstation Customizing Object . . . . .	203
Step 6: Varying On the Device . . . . .	204
<b>Chapter 11. Customizing ASCII Printers That Use the Emulator on the</b>	
<b>Display . . . . .</b>	<b>205</b>
Supported ASCII Printers Attached to Twinaxial Displays . . . . .	205
Customizing Unsupported ASCII Printers Attached to Twinaxial Displays . . . . .	206
Printer Mapping Table for ASCII Printers Attached to Twinaxial Displays . . . . .	206
ASCII Printer Definition Table . . . . .	207
Determining Which ASCII Printer Tables to Use . . . . .	207
Working with the Tag Language for ASCII Printers Attached to Twinaxial	
Displays . . . . .	207
Using the Tags to Customize ASCII Printers Attached to Twinaxial Displays . . . . .	208
ASCII Printer Definition Table (PDFNTBL) Tag . . . . .	208
Printer Function Tags . . . . .	209
Printer Function Tags for 3477 Model H, 3486, 3487, and 3488 Displays . . . . .	209
Printer Function Tags with Variable and Relative Movement . . . . .	209
Backspace (BSP) Tag . . . . .	211
Bell (BELL) Tag . . . . .	211
Start Bold Printing Function (STRBOLD) Tag . . . . .	211
End Bold Printing (ENDBOLD) Tag . . . . .	211
Carrier Return (CARRTN) Tag . . . . .	212
Set Characters per Inch (CPI) Tag . . . . .	212
Set Code Page (CODEPAGE) Tag . . . . .	212
Set Double Character Height (DBLCHRH) Tag . . . . .	213
Start Double-Wide Continuous (STRWIDE) Tag . . . . .	213
End Double-Wide Continuous (ENDWIDE) Tag . . . . .	213
Drawer Selection (DWRSLT) Tag . . . . .	213
Global Fonts for Printer Definition Table (FNTGPDT) Tag . . . . .	214
End Global Fonts for PDT (EFNTGPDT) Tag . . . . .	214
Global Font Range (FNTGRNG) Tag . . . . .	214
Foreground Color (FOREGRND) Tag . . . . .	215
Form feed (FORMFEED) Tag . . . . .	215
Initialize Printer (INITPRT) Tag . . . . .	215
Line Feed (LINEFEED) Tag . . . . .	215
Set Lines per Inch (LPI) Tag . . . . .	216
Set Page Length in Lines (PAGLENL) Tag . . . . .	216

Paper Feed (PRTFEED) Tag . . . . .	217
Paper Orientation (PRTORIENT) Tag . . . . .	217
Print Quality (PRTQLTY) Tag . . . . .	218
Start Proportional Space (STRPROP) Tag . . . . .	218
End Proportional Space (ENDPROP) Tag. . . . .	218
Quality Font Download (SETQLTY) Tag . . . . .	219
Space (SPACE) Tag . . . . .	219
Set Standard Character Height (STDCHRH) Tag . . . . .	219
Start Subscript (STRSUBS) Tag . . . . .	219
End Subscript (ENDSUBS) Tag . . . . .	220
Start Superscript (STRSUPS) Tag . . . . .	220
End Superscript (ENDSUPS) Tag. . . . .	220
Table Name (TBLNAME) Tag . . . . .	220
Translation Printer Definition Table (TRNEBCDIC) Tag . . . . .	221
End Translation Printer Definition Table (ETRNEBCDIC) Tag. . . . .	221
Translation Entry (TRNEBCDICE) Tag . . . . .	221
Start Underscore (STRUS) Tag . . . . .	221
End Underscore (ENDUS) Tag. . . . .	221
Set Vertical Units (VERUNT) Tag . . . . .	222
Additional Tags for Use with 3486, 3487, and 3488 Displays. . . . .	222
Adjust Horizontal Origin (ADJHRZORG) Tag. . . . .	222
Adjust Vertical Origin (ADJVERORG) Tag. . . . .	222
Set Characters per Inch (CPI) Tag . . . . .	223
Set Characters per Inch in COR Mode (CPICOR) Tag . . . . .	223
Duplex Printing (DUPXPRT) Tag . . . . .	224
Half Line Feed (HLFLINEFEED) Tag . . . . .	224
Jog Output Tray (JOGOUTTRAY) Tag . . . . .	225
Select Next Side Printing in Duplex (NXTDUPXPRT) Tag . . . . .	225
Paper Orientation (PRTORIENT) Tag . . . . .	225
Reverse Half Line Feed (RVSHLFLINEFEED) Tag . . . . .	226
Reverse Line Feed (RVSLINEFEED) Tag . . . . .	226
Set Simplex Printing (SMPXPRT) Tag . . . . .	226
Set Tumble Duplex Printing (TUMDUPXPRT) Tag. . . . .	226
Set Vertical Units in Half (VERUNTHLF) Tag . . . . .	227
Customizing a Hewlett-Packard LaserJet Series IIP Printer Attached to a 3477	
Twinaxial Display . . . . .	227
Setting up the 3477 Model H Display . . . . .	227
Step 1: Planning the Customizing. . . . .	228
Step 2: Retrieving the Workstation Customizing Object Source . . . . .	231
Step 3: Changing the Source . . . . .	232
Step 4: Creating the Workstation Customizing Object . . . . .	233
Step 5: Varying On the Device. . . . .	234
<b>Chapter 12. Customizing ASCII Printers That Use the Emulator on the</b>	
<b>    Controller . . . . .</b>	<b>237</b>
Supported ASCII Printers. . . . .	237
Customizing Unsupported ASCII Printers . . . . .	237
Mapping Tables for ASCII Printers . . . . .	239
Default EBCDIC-to-ASCII Mapping Table . . . . .	239
ASCII Printer Function Table . . . . .	241
Printer Multilanguage EBCDIC-to-ASCII Mapping Table. . . . .	241
Determining Which ASCII Printer Tables to Use . . . . .	243
Working with the Tag Language for Directly Attached ASCII Printers . . . . .	244
Using the Tags to Customize ASCII Printers . . . . .	246
Default EBCDIC-to-ASCII Mapping Table (PDFTMAPTBL) Tag . . . . .	246
End Default EBCDIC-to-ASCII Mapping Table (EPDFTMAPTBL) Tag. . . . .	246

EBCDIC-to-ASCII Mapping Table (PDFTEBCTBL) Tag . . . . .	246
Font Width Mapping Table (PFNTWTH) Tag . . . . .	247
ASCII Printer Function Table (PFCNTBL) Tag . . . . .	247
Multilanguage EBCDIC-to-ASCII Mapping Table (PMLGMAPTBL) Tag . . . . .	247
End Multilanguage EBCDIC-to-ASCII Mapping Table (EPMLGMAPTBL) Tag . . . . .	248
EBCDIC-to-ASCII Mapping Table (PMLGEBCTBL) Tag . . . . .	248
Printer Function Tags . . . . .	250
Syntax for Printer Function Tags with a Variable . . . . .	251
Syntax for Printer Function Tags with Variable and Relative Movement . . . . .	253
ASCII Control Code Mapping (ASCICTL) Tag . . . . .	254
Collate Width (COLLATE) Tag . . . . .	255
Set Characters per Inch (CPI) Tag . . . . .	255
Default Font ID (DFTFNTID) Tag . . . . .	256
Drawer Selection (DWRSLT) Tag . . . . .	256
Font ID Mapping (FNTMAP) Tag . . . . .	257
End Font ID Mapping (EFNTMAP) Tag . . . . .	258
Font Mapping Table Entry (FNTMAPE) Tag . . . . .	258
Font Quality (FONTQLTY) Tag . . . . .	258
Set Margin (MARGIN) Tag . . . . .	259
Set Page Length in Lines (PAGLENL) Tag . . . . .	259
Page Size for Printer Function Table (PAGSIZPFT) Tag . . . . .	260
Paper Feed (PRTFEED) Tag . . . . .	261
Paper Orientation (PRTORIENT) Tag . . . . .	261
Print Quality (PRTQLTY) Tag . . . . .	262
Tag Considerations for Customizing a Directly Attached ASCII Printer . . . . .	262
Using the Superscript and Subscript Tags. . . . .	262
Using the Set Page Length Tag . . . . .	263
Using the Font Selection Tags . . . . .	264
Customizing a Hewlett-Packard LaserJet Series III Printer that Uses the Emulator on the Workstation Controller . . . . .	266
Step 1: Planning the Customizing. . . . .	267
Step 2: Retrieving the Workstation Customizing Source . . . . .	276
Step 3: Changing the Source . . . . .	277
Step 4: Creating the Workstation Customizing Object . . . . .	304
Step 5: Varying On the Device . . . . .	304
<b>Appendix A. Twinaxial Keyboard Layouts.</b> . . . . .	<b>307</b>
5250 Data Entry Keyboard Layout . . . . .	307
5250 Typewriter Keyboard Layout . . . . .	308
122-Key Data Entry Keyboard Layout . . . . .	308
122-Key Typewriter Keyboard Layout . . . . .	308
Enhanced Keyboard Layout . . . . .	309
<b>Appendix B. Source Code Examples.</b> . . . . .	<b>311</b>
Source Code for 3477 Twinaxial Display . . . . .	311
Source Code for 3151 ASCII Display . . . . .	321
Source Code for 4029 ASCII Printer That Uses the Host Print Transform Function . . . . .	328
Source Code for 4019 ASCII Printer That Uses the Emulator on the Controller . . . . .	334
Source Code for HP4 ASCII Printer That Uses the Host Print Transform Function . . . . .	359
<b>Appendix C. Character to Hexadecimal Value Tables</b> . . . . .	<b>367</b>
ASCII Character Code to Hexadecimal Value Chart . . . . .	367
EBCDIC Character Code to Hexadecimal Value Chart . . . . .	367

<b>Appendix D. Setting Up to Customize a Display</b> . . . . .	369
Setting Up to Customize an ASCII Display . . . . .	369
Setting Up a 3477 Twinaxial Display. . . . .	371
<b>Appendix E. Workstation Customizing Planning Work Sheets</b> . . . . .	373
Matching Command Parameters . . . . .	373
Work Sheets for Planning to Customize a Display Workstation . . . . .	374
Twinaxial Displays . . . . .	375
ASCII Displays . . . . .	376
Work Sheets for Customizing ASCII Printers That Use the Host Print Transform Function . . . . .	379
Work Sheets for ASCII Printer Functions . . . . .	379
Work Sheet for Customizing ASCII Printers That Use the Emulator on the Display . . . . .	385
Work Sheets ASCII Printers Attached to 3477 Model H, 3486, 3487, and 3488 Displays . . . . .	386
Additional Work Sheets ASCII Printers Attached to 3486, 3487, and 3488 Displays . . . . .	388
Work Sheets for ASCII Printers That Use the Emulator on the Workstation Controller. . . . .	389
<b>Notices</b> . . . . .	395
Programming Interface Information . . . . .	397
Trademarks. . . . .	397
<b>Bibliography</b> . . . . .	399
<b>Index</b> . . . . .	401
<b>Readers' Comments — We'd Like to Hear from You.</b> . . . . .	427

# Figures

1. Types of AS/400 Displays . . . . .	xvi
2. AS/400 Operations Navigator Display . . . . .	xvii
3. Workstation Customizing Procedure Road Map . . . . .	4
4. Syntax for the Workstation Customizing Object Tag . . . . .	18
5. Scan Code Byte Format . . . . .	42
6. 5250-Style Keyboard Scan Codes. . . . .	43
7. Enhanced Keyboard Scan Codes . . . . .	44
8. 122-Key Keyboard Scan Codes . . . . .	45
9. Source Structure for Twinaxial Displays. . . . .	62
10. Syntax for the Keyboard Translation Table Tag . . . . .	63
11. Syntax for the Keyboard Translation State Table Tag . . . . .	66
12. Scan Codes for Unassigned Keys on 3477 Model H 122-Key Typewriter Keyboard. . . . .	69
13. Twinaxial Device Emulation Processes . . . . .	76
14. IBM 3151 ASCII Display Keyboard Layout. . . . .	81
15. Hexadecimal Code Values for the IBM 3151 ASCII Keyboard. . . . .	82
16. Inbound Processing for an ASCII Display . . . . .	84
17. Outbound Processing for an ASCII Display . . . . .	85
18. ASCII Display Keyboard Mapping Tables . . . . .	86
19. Source Code Showing Data Substring Restriction . . . . .	92
20. Source Structure for ASCII Displays . . . . .	94
21. Syntax for the Update Screen Table Tag . . . . .	95
22. Setting Highlighting Attributes for the Screen. . . . .	97
23. Adding New Highlighting Attributes . . . . .	98
24. Displaying the Highlighted Characters (1) . . . . .	99
25. Displaying the Highlighted Characters (2) . . . . .	99
26. General Syntax for the Update Screen Tags . . . . .	105
27. Syntax for the Set Cursor Address Tag . . . . .	107
28. Syntax for the Attribute Command Tag . . . . .	111
29. Syntax for the Set Screen Size Tag . . . . .	113
30. Syntax for the Extended Set Cursor Address Tag . . . . .	115
31. Syntax for EBCDIC-to-ASCII Mapping Table Tag . . . . .	117
32. EBCDIC-to-ASCII Mapping Table Format . . . . .	118
33. Syntax for ASCII to Keyboard Function Mapping Table Tag . . . . .	119
34. General Syntax for the Keyboard Function Tags . . . . .	120
35. Syntax for the Function Key Tag . . . . .	122
36. Syntax for the ASCII-to-EBCDIC Mapping Table Tag . . . . .	123
37. ASCII-to-EBCDIC Mapping Table Format . . . . .	124
38. ASCII to Keyboard Function Mapping Table (Function Key)—Example Work Sheet . . . . .	126
39. ASCII Printers That Use the Host Print Transform Function . . . . .	136
40. ASCII Printers That Use the Emulator on the Display . . . . .	137
41. ASCII Printers That Use the Emulator on the Workstation Controller . . . . .	138
42. Source Structure for ASCII Printers Attached to Twinaxial Displays . . . . .	208
43. Syntax for the ASCII Printer Definition Table Tag . . . . .	209
44. OfficeVision/400 Printer Test Document. . . . .	228
45. OfficeVision/400 Test Document First Printout . . . . .	229
46. Final OfficeVision/400 Printer Test Document . . . . .	235
47. Source for the Default EBCDIC-to-ASCII Mapping Table . . . . .	240
48. Source for the Multilanguage EBCDIC-to-ASCII Mapping Table . . . . .	242
49. Source Structure for ASCII Printers . . . . .	245
50. Decision Structure for Selecting the Subscript and Superscript Tags . . . . .	263
51. Decision Structure for Selecting the Correct Page Length Tags . . . . .	264

52. Decision Structure for Selecting the Correct Font Selection Tags . . . . .	265
53. Matching Command Parameters . . . . .	374

---

## Tables

1. Device Does Not Vary On. . . . .	30
2. IBM Twinaxial Displays and Supported Keyboards. . . . .	39
3. 1A Keyboard Type Dependent Emulation Scan Codes . . . . .	46
4. 122-Key Typewriter Keyboard Scan Codes Restricted from Remapping . . . . .	50
5. 122-Key Data Entry Keyboard Scan Codes Restricted from Remapping. . . . .	50
6. 5250 Typewriter Keyboard Scan Codes Restricted from Remapping . . . . .	50
7. 5250 Data Entry Keyboard Scan Codes Restricted from Remapping . . . . .	51
8. Enhanced Keyboard Scan Codes Restricted from Remapping . . . . .	51
9. Format for Translation Table Entries That Map to EBCDIC Characters . . . . .	54
10. General Format for Translation Table Entries for Diacritics . . . . .	56
11. Sets of Supported Diacritics by Language Group . . . . .	56
12. Translation Table Entry Format for Blank Keys . . . . .	58
13. Translation Table Entry Format for Scan Codes That Are Not Valid . . . . .	58
14. Translation Table Entry Format for Proof Space Character. . . . .	58
15. Translation Table Entry Formats: Cursor Movement Functions . . . . .	59
16. Translation Table Entry Formats: Field Exit Functions . . . . .	59
17. Translation Table Entry Formats: Nonaid Functions . . . . .	59
18. Translation Table Entry Formats: Immediate Functions . . . . .	59
19. Translation Table Entry Formats: Function (Cmd) Key Functions . . . . .	60
20. Translation Table Entry Formats: Aid Generating Functions . . . . .	60
21. Translation Table Entry Formats: Shift Key Functions. . . . .	60
22. Values for the Language Type (LANGTYPE) Parameter. . . . .	63
23. Language Type and Keyboard Type Considerations . . . . .	66
24. Twinaxial Keyboard Translation Table Entries—Example Work Sheet . . . . .	70
25. Example: 3151 ASCII Code Sequences . . . . .	83
26. Graphics for Text Control Characters . . . . .	103
27. Descriptions of the Update Screen Tags . . . . .	105
28. Control Characters for Highlighting an ASCII Display. . . . .	112
29. Address Parameter for the Extended Set Cursor Address Command . . . . .	115
30. Descriptions of the Keyboard Function Tags . . . . .	121
31. Default CCSID Mapping Table . . . . .	191
32. Printer Function Tags—Example Work Sheet . . . . .	201
33. Printer Function Tags with a Variable and Relative Movement . . . . .	209
34. Printer Function Tags with Only a Data Parameter – Example Work Sheet . . . . .	230
35. Printer Function Tags with Variable and Relative Movement – Example Work Sheet . . . . .	230
36. Other Printer Function Tags – Example Work Sheet . . . . .	231
37. Required Code Page Identifiers . . . . .	249
38. Printer Function Tags with Data Parameter Only . . . . .	250
39. Printer Function Tags with a Variable . . . . .	251
40. Printer Function Tags with Variable and Relative Movement . . . . .	253
41. ASCII Character Code to Hexadecimal Value Conversion Table . . . . .	367
42. EBCDIC Character Code to Hexadecimal Value Conversion Table . . . . .	367
43. Matching Command Parameters--Devices That Do Not Use Host Print Transform Function . . . . .	373
44. Matching Command Parameters--Printers That Use Host Print Transform Function . . . . .	374
45. Command Parameters for ASCII Printers That Use the Host Print Transform Function . . . . .	379
46. Customizing Printer Controls . . . . .	379
47. Customizing Printer Data Streams . . . . .	380
48. Customizing Print Media Size . . . . .	380
49. Customizing Highlighting . . . . .	380

50. Customizing Horizontal Spacing and Movement . . . . .	381
51. Customizing Vertical Spacing and Movement . . . . .	381
52. Customizing Indexing . . . . .	382
53. Customizing Color . . . . .	382
54. Customizing the No Print Border . . . . .	383
55. Customizing Page Length. . . . .	383
56. Customizing Paper Drawer Selection . . . . .	383
57. Customizing Paper Orientation . . . . .	384
58. Customizing Print Quality . . . . .	384
59. Customizing Fonts . . . . .	384
60. Customizing Code Page Support . . . . .	384
61. Printer Function Tags for Printers Attached to 3477 Model H Displays . .	386
62. Additional Printer Function Tags for Printers Attached to 3486, 3487, and 3488 Displays . . . . .	388



---

## About Workstation Customization Programming (SC41-5605)

This book provides introductory, procedural, and reference information about the OS/400 workstation customizing functions. The workstation customizing functions allow you to map both supported and unsupported twinaxial keyboards, ASCII display and keyboards, and ASCII printers for use with the AS/400 system.

You should also have the *International Application Development* readily available to look up information about the EBCDIC code pages associated with the language you are using.

For a list of related publications, see the "Bibliography" on page 399.

---

## Who should read this book

This publication is intended for experienced technical professional who are knowledgeable about configurations of keyboards, displays, and printers.

Before using the workstation customizing functions, your AS/400 system should be up and running. You should have your licensed programs installed, including IBM Application Development ToolSet (Program 5769-PW1). The new devices you want to use with the system should be physically attached to the system to complete the customizing procedures.

---

## Conventions and terminology used in this book

The AS/400 displays in this book could be shown as they are presented through Graphical Access for AS/400, which is part of Client Access on the personal computer. The example displays in this book could also be shown without Graphical Access for AS/400 available. Figure 1 on page xvi shows both types of displays.

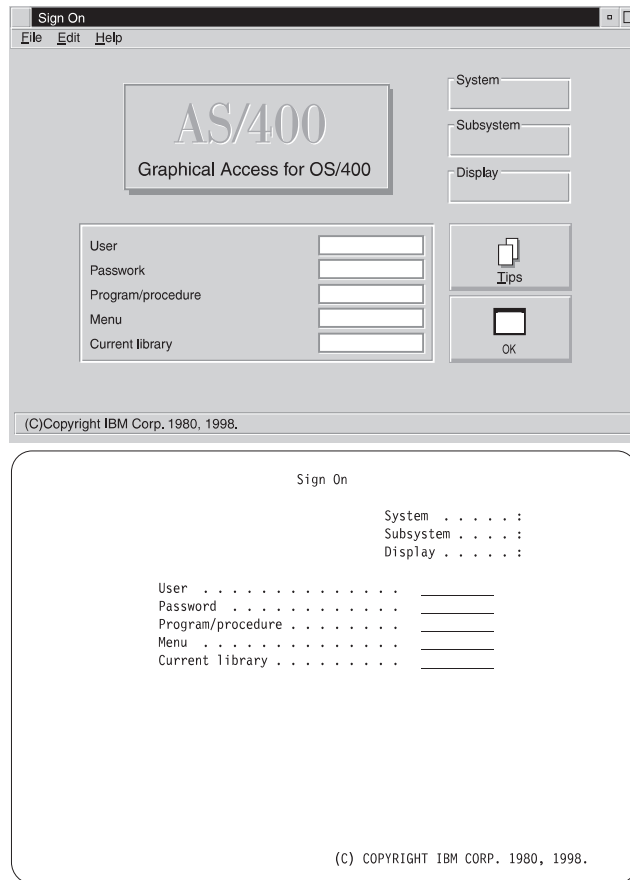


Figure 1. Types of AS/400 Displays

## AS/400 Operations Navigator

AS/400 Operations Navigator is a powerful graphical interface for Windows 95/NT clients. With AS/400 Operations Navigator, you can use your Windows 95/NT skills to manage and administer your AS/400 systems.

- You can work with basic operations (messages, printer output, and printers), job management, system configuration, network administration, security, users and groups, database administration, file systems, and multimedia.
- You can schedule regular system backups, work with Interprocess Communication through application development, and manage multiple AS/400 systems through a central system by using Management Central. You can also customize the amount of Operations Navigator function that a user or user group can use through application administration.
- You can create a shortcut to any item in the explorer view of Operations Navigator. For example, you can create a shortcut either to **Basic Operations** or to the items that are listed under **Basic Operations (Messages, Printer Output, and Printers)**. You can even create a shortcut to an individual printer or use a shortcut as a fast way to open the item.

Figure 2 on page xvii shows an example of the Operations Navigator display:

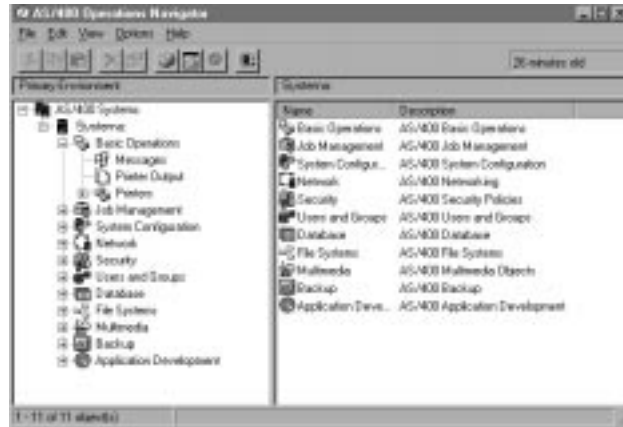


Figure 2. AS/400 Operations Navigator Display

IBM recommends that you use this new interface. It has online help to guide you. While we develop this interface, you will still need to use either of the following to do some of your tasks:

- Graphical Access (which provides a graphical interface to AS/400 screens). Graphical Access is part of the base Client Access.
- A traditional emulator such as PC5250.

## Installing Operations Navigator subcomponents

AS/400 Operations Navigator is packaged as separately installable subcomponents. If you are upgrading from a previous release of AS/400 Operations Navigator, only those subcomponents that correspond to the function that is contained in the previous release will be installed. If you are installing for the first time and you use the **Typical** or **Minimum** installation options, the following options are installed by default:

- Operations Navigator base support
- Basic operations (messages, printer output, and printers)

To install additional AS/400 Operations Navigator subcomponents, either use the **Custom** installation option or use **selective setup** to add subcomponents after Operations Navigator has been installed:

1. Display the list of currently installed subcomponents in the **Component Selection** window of **Custom** installation or selective setup.
2. Select AS/400 Operations Navigator and click **Details**.
3. Select any additional subcomponents that you want to install and continue with **Custom** installation or selective setup.

**Note:** To use AS/400 Operations Navigator, you must have Client Access installed on your Windows 95/NT PC and have an AS/400 connection from that PC. For help in connecting your Windows 95/NT PC to your AS/400 system, consult *Client Access for Windows 95/NT - Setup*, SC41-3512.

## Accessing AS/400 Operations Navigator

To access Operations Navigator after you install Client Access and create an AS/400 connection, do the following:

1. Double-click the **Client Access** folder on your desktop.

2. Double-click the **Operations Navigator** icon to open Operations Navigator. You can also drag the icon to your desktop for even quicker access.

---

## Prerequisite and related information

Use the AS/400 Information Center as a starting point for your AS/400 information needs. It is available in either of the following ways:

- The Internet at this uniform resource locator (URL) address:  
<http://publib.boulder.ibm.com/html/as400/infocenter.html>
- On CD-ROM: *AS/400e series Information Center*, SK3T-2027.

The AS/400 Information Center contains browsable information on important topics such as Java, program temporary fixes (PTFs), and Internet security. It also contains hypertext links to related topics, including Internet links to Web sites such as the AS/400 Technical Studio, the AS/400 Softcopy Library, and the AS/400 home page.

For a list of related publications, see the “Bibliography” on page 399.

---

## How to send your comments

Your feedback is important in helping to provide the most accurate and high-quality information. If you have any comments about this book or any other AS/400 documentation, fill out the readers’ comment form at the back of this book.

- If you prefer to send comments by mail, use the readers’ comment form with the address that is printed on the back. If you are mailing a readers’ comment form from a country other than the United States, you can give the form to the local IBM branch office or IBM representative for postage-paid mailing.
- If you prefer to send comments by FAX, use either of the following numbers:
  - United States and Canada: 1-800-937-3430
  - Other countries: 1-507-253-5192
- If you prefer to send comments electronically, use this network ID:
  - IBMMAIL, to IBMMAIL(USIB56RZ)
  - RCHCLERK@us.ibm.com

Be sure to include the following:

- The name of the book.
- The publication number of the book.
- The page number or topic to which your comment applies.

---

## Part 1. Customizing Workstations

<b>Chapter 1. Planning For and Setting Up Workstation Customizing</b> . . . . .	3
Workstation Customizing Overview . . . . .	3
Preparing for Workstation Customizing. . . . .	5
Workstation Controllers . . . . .	6
Displays . . . . .	7
ASCII Printers . . . . .	7
OS/400 Workstation Customizing Function Limitations . . . . .	7
Setting Up Workstation Customizing. . . . .	7
Errors and Recovery . . . . .	9
Verifying That Planning Is Complete. . . . .	10
<b>Chapter 2. Retrieving the Workstation Customizing Source.</b> . . . . .	11
Devices That Use the Emulator on the Workstation Controller or Display . . . . .	11
Retrieving Source for Devices That Use the Emulator on the Workstation Controller or the Display . . . . .	11
Printers that Use the Host Print Transform Function . . . . .	13
Retrieving Source for ASCII Printers That Use the Host Print Transform Function . . . . .	13
Retrieving Source for Devices Not Supported by IBM . . . . .	13
Errors and Recovery . . . . .	14
Verifying the Source Is Retrieved Successfully . . . . .	15
<b>Chapter 3. Changing the Source to Customize Your Workstations</b> . . . . .	17
Using Control Codes, Escape Sequences, and Control Sequences . . . . .	17
Structure of Customizing Objects . . . . .	18
Using Source Entry Utility to Change the Tags and Keywords . . . . .	19
General Programming Considerations for Workstation Customizing . . . . .	20
Finding the Hexadecimal Values for the Tags . . . . .	21
Errors and Recovery . . . . .	21
Verifying That the Source Changes Are Complete. . . . .	22
<b>Chapter 4. Creating the Workstation Customizing Object.</b> . . . . .	23
Compiling and Creating the Workstation Customizing Object. . . . .	23
Errors and Recovery . . . . .	24
Verifying the Workstation Customizing Object Is Created . . . . .	25
<b>Chapter 5. Testing the Customizing Object</b> . . . . .	27
Changing the Device Description . . . . .	27
Varying On the Device. . . . .	27
Starting the Printer Writer for a Printer That Uses Host Print Transform Function . . . . .	28
Errors and Recovery . . . . .	28
Verifying a Successful Vary On . . . . .	32



---

## Chapter 1. Planning For and Setting Up Workstation Customizing

This chapter provides a brief overview of the workstation customizing procedure and then describes the planning step in the procedure. A list of the possible errors and the necessary steps for recovery is provided, followed by a planning checklist that tells you what you need to have when the planning step is complete. You can find examples of the planning step for the workstation customizing procedure in the reference chapters in Part 2 and Part 3 of this book.

---

### Workstation Customizing Overview

The workstation customizing functions provided by the IBM Operating System/400 licensed program allow you to do the following:

- Change the way a local or remote workstation controller supports displays, keyboards, and ASCII printers that you use with your AS/400 system.
- Change the way a twinaxial display supports ASCII printers that you use with your AS/400 system.
- Change the way the host print transform function supports the ASCII printers that you use with your AS/400 system.

Some of the workstation characteristics you can add or change are listed below:

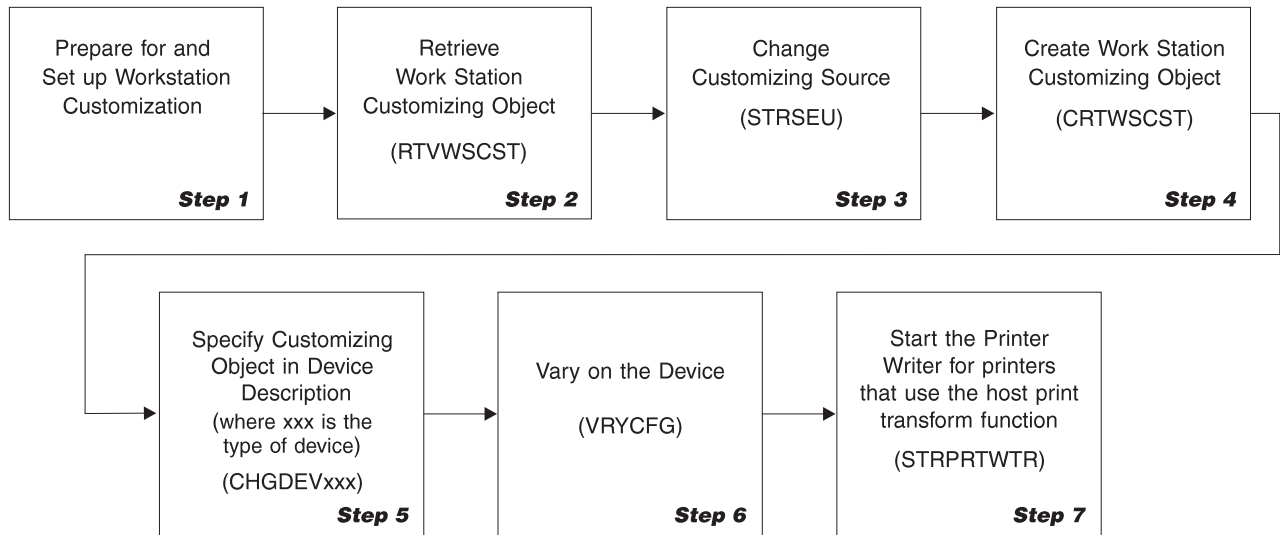
- Command key sequences
- Special character support (display and print)
- Function key support
- Shift state key processing
- Bold, underlined, and double width printing
- Font and pitch support
- Paper orientation
- Paper selection

#### Customizing Limitations

- Workstation customizing supports only those functions supported by the workstation controller, the display, or the host print transform function and the device itself.
- If the workstation controller, the display, or the host print transform function cannot support a particular function, the function cannot be added using the workstation customizing functions.
- If a device is not capable of performing a function, or displaying or printing a character, workstation customizing does not and cannot provide the additional function.
- The workstation customizing functions require that you provide hexadecimal data corresponding to the characters and functions supported by your device. You must have this information to customize device functions.

To change the characteristics of workstations and printers, you change copies of the mapping tables used for character translation and function translation. You then create a customizing object. A road map showing the basic steps of the workstation customizing procedure is shown in the following figure. The steps are denoted

throughout the first part of this book by the reference numbers (for example, step 1) that appear in the figure.



RV4H050-1

Figure 3. Workstation Customizing Procedure Road Map. Step 7 applies only to printers that use the host print transform function with spooled print jobs. For printers that use the host print transform function with nonspooled print jobs, the customized table is activated when the job is printed.

To begin the workstation customizing procedure, there are some things you should do before you actually customize the device. First, you need to familiarize yourself with the display or printer device you want to customize. This means you should read the books and available reference material for the device and understand the characteristics you want to change. If the device has never been used with the AS/400 system before, or it is a device that is not supported by IBM, you need to connect the device to the system, see how it works, and then create a list of the characteristics you want to change. You also need the hexadecimal codes for the device. The hexadecimal codes provide you with values for customizing the appropriate mapping tables.

If you are using a language other than English, you may also have language concerns you need to address. The language a workstation uses determines how you should define several characteristics when you first set up the AS/400 system and the workstation itself.

You may be working with more than one language on your AS/400 system. For example, suppose the primary language used on the system is US English, but some of your workstations are set up to display French. The device description for the workstations using the secondary language must indicate the correct keyboard language type and character identifier. Indicating the correct keyboard language type and character identifier ensures the correct mapping tables are used to display data.

For more information about language-specific concerns with workstation customizing, see the language considerations discussed in the following chapters in the reference section of this book:

- Chapter 7. Customizing Twinaxial Displays
- Chapter 8. Customizing ASCII Displays



- Chapter 10. Customizing ASCII Printers That Use the Host Print Transform Function
- Chapter 11. Customizing ASCII Printers That Use the Emulator on the Display
- Chapter 12. Customizing ASCII Printers That Use the Emulator on the Controller

For more general information about setting up and using national language support, see the sections about using and changing a secondary language and system coded character set identifier (CCSID) implementation in the *National Language Support* book and the other language support books listed in the Bibliography.

The next step in the workstation customizing procedure is to retrieve or create a customizing source file. To retrieve a source file member based on existing AS/400 supported devices, use the Retrieve Work Station Customizing Object Source (RTVWSCST) command. The retrieved source contains copies of the system mapping tables for the device or manufacturer type and model you specified in the command. The source also contains the correct tags for the type of device or manufacturer type and model. For examples of retrieved source file members that have not been changed, see Appendix B. Source Code Examples.

A tag language is provided for you to change the mapping tables that you retrieve. The tag language provides a shell for the system-based mapping tables that are used to map data and functions between the AS/400 system and the device you are customizing. For a description of the tag language for workstation customizing, see Chapter 3. Changing the Source to Customize Your Workstations.

After you have completed your changes in the source file member, you use the Create Work Station Customizing Object (CRTWSCST) command to create a customizing object. Specifying the name of that object in the device description for the display or printer links the object to the device. If a customized object is used by the host print transform function, it is activated when:

- The printer writer is started (spooled print jobs)
- A job is printed (nonspooled print jobs)

Otherwise, the customized mapping tables are downloaded to the workstation controller when you vary on the device. The customized tables are used to map the data from the device to the AS/400 system and from the system back to the device. If you need to delete a workstation customizing object from your system, use the Delete Work Station Customizing Object (DLTWSCST) command.

---

## Preparing for Workstation Customizing

If you are already using an ASCII workstation or printer, you or your users may have identified certain functions that are not supported the way that you would want or expect. For example, you press a key and the character displayed is not the character engraved on the key. Or, although your ASCII printer prints most characters correctly, there are some characters specific to the language you use that you would also like to have print correctly. The workstation customizing functions can help you correct these problems.

The following list shows the device types that can be customized using the OS/400 workstation customizing functions:

- Twinaxial keyboards (twinaxial workstations)
- ASCII displays and keyboards (ASCII workstations)
- ASCII printers that use the host print transform function

- ASCII printers (attached to 3477 Model H, 3486, 3487, or 3488 twinaxial workstations) that use the emulator on the display
- ASCII printers (directly attached to the AS/400 system) that use the emulator on the workstation controller

Before you begin using the workstation customizing functions, your AS/400 system must be up and running, and you need to have at least one workstation configured and usable. The workstations you want to customize should be physically attached to the AS/400 system, and you also should have created all the appropriate line (if remote), controller, and device descriptions.

You may need to refer to some or all of the following books when customizing a device:

- Reference book for the device you want to customize
- *ASCII Work Station Reference*
- *National Language Support*

It is absolutely critical that you have the hexadecimal codes for the device you want to customize. This information is often included in the reference book for the device. The device book also gives you an understanding of what functions the device is capable of performing and which language or character sets it supports.

The following sections briefly describe some of the equipment and the mapping tables for which you use the workstation customizing functions.

## Workstation Controllers

The following local and remote workstation controllers can use the customized mapping tables you create with the workstation customizing functions.

**Note:** Customized printers that use the host print transform function do not have workstation controller dependencies.

- Local Workstation Controllers
  - 2661: Twinaxial local workstation controller
  - 2638: Twinaxial local workstation controller
  - 6040: Twinaxial local workstation controller
  - 6050: Twinaxial local workstation controller
  - 6140: Twinaxial local workstation controller
  - 2637: ASCII local workstation controller
  - 6041: ASCII local workstation controller
  - 6141: ASCII local workstation controller
- Remote Workstation Controllers
  - 5494 Remote workstation controller (Release 1 Modification 1)

**Note:** The 5494 is a twinaxial workstation controller. The customizing process for a remote workstation attached to the 5494 is the same as it would be for a local twinaxial workstation.

The workstation controller uses the mapping tables loaded from the AS/400 system to translate data back and forth between the workstation or printer and the system. When you change the hexadecimal values in the mapping tables, you customize the associated device. The customized tables and attributes are then compiled and

stored in the customizing object you create. This object is used to create customized mapping tables that are downloaded to the workstation controller the next time you vary on the workstation or printer. You can use a single customizing object for more than one workstation or printer, or you may want a different customizing object for each device.

## Displays

The IBM Corporation sells a wide variety of displays that can be connected to the AS/400 system. The OS/400 workstation customizing functions support both the twinaxial display and the ASCII display. Displays are attached to the AS/400 system by way of a workstation controller. Both the ASCII workstation controller and the twinaxial workstation controller use mapping tables downloaded from the AS/400 system to support the input/output (I/O) for these devices.

The workstation controller processes I/O for a display in two ways. **Inbound processing** refers to keystroke and function processing from the display to the AS/400 system. **Outbound processing** refers to character and function processing from the AS/400 system to the display. The workstation customizing functions allow you to customize both types of processing for an ASCII display, but only the inbound, or keystroke processing can be customized for a twinaxial display.

## ASCII Printers

A wide variety of ASCII printers can be attached to the AS/400 system. ASCII printers receive and process data by way of an ASCII data stream. One example of an ASCII data stream is the IBM page printer data stream (PPDS). ASCII printers understand only the ASCII data stream and commands. The AS/400 system and applications produce an EBCDIC data stream. Therefore, the AS/400 system treats all ASCII printers as emulated AS/400 printers.

This means that the EBCDIC data stream is converted to an ASCII data stream. Some restrictions exist on the printing functions that are supported because of the selected emulation type, the ASCII printer type, and the connection type. Some of the more general functions that may not be supported include graphics, images, and bar codes. For more information on customizing printers, see Chapter 9. Customizing Printers.

---

## OS/400 Workstation Customizing Function Limitations

Most manufacturers design displays and printers that support the specific character sets for the countries in which the devices are sold. The character set support is either built into the hardware for the device or embedded into the internal code for the device. This places limitations on the OS/400 customizing functions.

---

## Setting Up Workstation Customizing

In most cases, you are already aware of some characteristics that you would like to change about the way your device works with the AS/400 system. In other cases, the device has never been attached to the AS/400 system. You may need to experiment with it to see which characteristics you want to change. Either way, you need to gather the following information before you put together your workstation customizing plan:

- Reference books for your device

- A copy of the customizing source for the device
- Information about the tag language used for customizing
- A list of characters, command, and control sequences you want to change

**Notes:**

1. If you are customizing an ASCII display station, you also need to have the *ASCII Work Station Reference*.
2. If you are customizing an ASCII printer that uses the emulator on the workstation controller, you also need to have the *ASCII Work Station Reference*.
3. If you are using one or more national languages, you also need to have the *National Language Support* book.

The second and third items in this list are covered in the reference part of this book. The last item comes from your or your user's experience with the device to be customized. If you are customizing the tables for a device that is not supported by IBM, you may also want to have the reference information for a similar IBM-supported device so that you can compare the character values and control sequences. To complete the planning for customizing your workstation, do the following:

1. Read the reference books for the device and know what the control codes and function codes are and where they are located in the book.
2. Experiment with the device to find out which characteristics you would like to change. For example, you may need to change the way a character is displayed or printed. You may want to change the way a certain character is displayed when used with the Shift key or change the function of a command or control key sequence.
3. Use the work sheets provided in Appendix E. *Workstation Customizing Planning Work Sheets* to make a note of these characteristics and check the device reference books to find out the following:
  - Does the device itself support the character or function you want to add or change? (Is the device capable of producing the character or performing the function?)

**Note:** If a device cannot support a character or function, the workstation customizing functions cannot provide the missing support.

  - If the device can support the character or function, what is the hexadecimal or integer representation for that character or function?
4. Familiarize yourself with the way the AS/400 workstation controller, the display, or the host print transform function handles the mapping tables for the type of device you want to customize.
5. Read the tag language descriptions in Part 2 and Part 3 of this book to understand the tags you use to customize your device.
6. Use the information in the following sections of this book to determine how to customize your device:
  - Twinaxial keyboard: see "Determining Which Twinaxial Keyboard Translation Table to Customize" on page 51.
  - ASCII display: see "Determining Which ASCII Display Tables to Customize" on page 92.
  - ASCII printer that uses the host print transform function: see "Choosing the Customizing Source" on page 147.

- ASCII printer that uses the emulator on the display: see “Determining Which ASCII Printer Tables to Use” on page 207.
- ASCII printer that uses the emulator on the workstation controller: see “Determining Which ASCII Printer Tables to Use” on page 243.

Examples showing this step of the workstation customizing procedure are provided for each device class in the corresponding reference chapters in Part 2 and Part 3 of this book. When the planning step is complete, you should have an understanding of the device you want to customize, the customizing procedures, and a list of the characteristics (and their hexadecimal values if applicable) for the device you want to customize.

---

## Errors and Recovery

The following list describes errors that can occur during the steps of planning and setting up workstation customizing. The list also recommends some things to do to recover from the error.

- **Missing reference information for the device**

If you do not have the reference information for the device you want to customize, you will not be able to use the workstation customizing functions. OS/400 workstation customizing is dependent on the hexadecimal codes and sequences that a device sends or understands. The reference book for the device should provide this information. If you do not have the reference book for the device, contact your sales representative or the manufacturer of the device and request a copy.

- **ASCII display does not show Sign On display**

If you cannot sign on to the AS/400 system, you cannot experiment with the display to see what needs to be customized. Use the procedure provided in Appendix D. Setting Up to Customize a Display. If you still cannot sign on using the display, you can try to continue to customize the display by changing a few characteristics in the source at a time, compiling the object, and testing it with the display. The best characteristics to start with are the Clear Screen and Set Cursor Address commands.

- **ASCII printer does not produce any printouts**

If your printer does not produce any printouts, one of the following errors may be causing the problem:

- Your hardware may be set up incorrectly. Check the reference books for your display, workstation controller, and printer, as appropriate, to resolve this problem.
- Your printer may be configured incorrectly. If the ASCII printer is supported by IBM and the AS/400 system, you need to check the device type and model number and verify that this information was entered correctly in the device description.

If the ASCII printer is not supported by IBM, you may need to try specifying another device type for the device description. The *ASCII Work Station Reference* provides descriptions of some supported ASCII printers that you can use for comparison with the characteristics of your unsupported ASCII printer.

- Your 3477 display is not a Model H. Use the procedure in “Setting Up a 3477 Twinaxial Display” on page 371 to verify your 3477 display is a Model H. If your printer uses the emulator on the twinaxial display, the 3477 display must

be a Model H. If it is not a Model H, you cannot use the workstation customizing functions to customize an attached printer. If you would like to upgrade your 3477 to a Model H, contact your marketing representative or service representative.

---

## Verifying That Planning Is Complete

When the planning step is complete, you should have collected the following:

- A list of the device characteristics you want to customize
- The hexadecimal data or integer values associated with the device characteristics

You should be familiar with the way the workstation controller, the display, or the host print transform function handles the mapping tables for your device. You should also have an understanding of the tags you use in the customizing step of the procedure. (See the chapters for each device type in Part 2 and Part 3 of this book.)

---

## Chapter 2. Retrieving the Workstation Customizing Source

After you have completed the planning for workstation customizing, you are ready to retrieve copies of the workstation customizing source for the device you want to customize. Use the Retrieve Work Station Customizing Object Source (RTVWSCST) command to retrieve copies of the workstation customizing source for the device.

When you retrieve copies, the internal forms of the tables and control sequences are converted into the source format of the customizing tag language. The source is then put into a source file member.

Although it is possible to create an entire source file member without retrieving a copy of existing tables, it is not recommended. The retrieved source provides you with the correct number of mapping tables for the device or the manufacturer, type, and model you specify. The retrieved source also provides you with the correct layout and syntax for the tag language code. To look at examples showing the source retrieved for the different device classes, see Appendix B. Source Code Examples.

---

### Devices That Use the Emulator on the Workstation Controller or Display

If you are customizing a device that uses the emulator on the workstation controller or the display, have the following information available. You need this information to retrieve the correct source for the device:

- Device type  
If you are customizing an unsupported device, select a device type that is most like your device. Doing this allows you to retrieve a source file member that contains the mapping tables for you to customize. If you cannot determine which supported device is most like your device, select any ASCII device. Be sure to differentiate between an ASCII display and an ASCII printer.
- Keyboard language type to be used on this device
- Library and source physical file name for storing your customizing source code

**Note:** If you are customizing the keyboard for an unsupported twinaxial display, you must select the supported twinaxial display that your display emulates.

After you determine which device type to select, use the following procedure to retrieve your workstation customizing source.

### Retrieving Source for Devices That Use the Emulator on the Workstation Controller or the Display

Follow these steps to retrieve workstation customizing source for devices that use the emulator on the workstation controller or the display station.

1. Type RTVWSCST (Retrieve Work Station Customizing Object Source command) and press F4 (Prompt).
2. Specify the device type for the device you want to customize. This is a required parameter. For the lists of IBM-supported devices, see one of the following:
  - “Types of Displays and Keyboards” on page 39



- “Beginning to Customize ASCII Displays” on page 73
- “Supported ASCII Printers Attached to Twinaxial Displays” on page 205
- “Supported ASCII Printers” on page 237

**Note:** If you are customizing an ASCII printer attached to a twinaxial display, specify the display type for this parameter. Do not specify the printer type. (If you are customizing an ASCII printer attached to a 3488 display, specify that the printer is attached to a 3487 display. The OS/400 customizing functions treat a 3488 display station as a 3487 display station.)

3. Specify the keyboard language type you want to use for this device. This is a required parameter. A list of the languages you can specify here is in Table 22 on page 63, or you can use the help information on the system to determine which language type to specify.

**Note:** It is important that the keyboard language type you specify here is the same as the keyboard language type specified in the device description. If the two keyboard language types specified do not match, then the device will not vary on.

4. Specify a name for the source file member to be created for the customizing tag language source that you want to retrieve. This is a required parameter. This should be a name you can easily remember, possibly related to the device or type of device you are customizing.
5. Specify the keyboard type. This parameter is required only for customizing twinaxial displays and twinaxial displays with attached ASCII printers. For illustrations of the keyboard types you can use with twinaxial displays, see Appendix A. Twinaxial Keyboard Layouts. Each illustration is associated with a keyword value to assist you in making your selection.

**Note:** For twinaxial displays, this is a required parameter. The value specified here must match the actual keyboard type of the display being customized; otherwise the display will not vary on successfully.

6. Specify a library and source file name to create a source physical file in which to store the source file member. The library you specify must exist. If the source physical file already exists, the system adds the new file member to it. If the source file does not exist, the system creates it for you. The coded character set identifier for the newly created file is \*HEX.

The default value for this field is the system-supplied source file QXTSARC in library QGPL.

7. Specify a text description for the source file if it does not already have one. The description should be unique so that you can use it to help you identify the devices associated with the source file member. This is helpful when you have more than one source file for more than one device type.

Each device that can be customized has one or more specific mapping or translation tables associated with it. The source physical file member you create in this step should contain all the source code for each of the tables required by the device you specified.

Examples showing this step of the workstation customizing procedure are provided for each device class in the corresponding reference chapters in Parts 2 and 3 of this book. After you have retrieved the workstation customizing source, you can begin changing the source that allows you to customize your device.



---

## Printers that Use the Host Print Transform Function

If you are customizing a printer that uses the host print transform function, have the following information available. You need this information to retrieve the correct source for the device:

- Manufacturer, type, and model

If you are customizing an unsupported printer, select a manufacturer, type, and model that is most like your device. Doing this allows you to retrieve a source file member that contains the mapping tables for you to customize.

- Library and source physical file name for storing your customizing source code

After you determine which manufacturer, type, and model to select, use the following procedure to retrieve your workstation customizing source.

## Retrieving Source for ASCII Printers That Use the Host Print Transform Function

Follow these steps to retrieve workstation customizing source for ASCII printers that use the host print transform function.

1. Type RTVWSCST (Retrieve Work Station Customizing Object Source command) and press F4 (Prompt).
2. Specify \*TRANSFORM for the device type. This is a required parameter.
3. Specify the manufacturer, type, and model for the ASCII printer you want to customize. Press F4 (Prompt) in the *Manufacturer type and model* field to see a list of values you can specify. This is a required parameter.
4. Specify a name for the source file member to be created for the source that you want to retrieve. This is a required parameter. This should be a name you can easily remember, possibly related to the manufacturer, type, and model name.
5. Specify a library and source file name to create a source physical file in which to store the source file member. The library you specify must exist. If the source physical file already exists, the system adds the new file member to it. If the source file does not exist, the system creates it for you. The coded character set identifier for the newly created file is \*HEX.

The default value for this field is the system-supplied source file QTXTSRC in \*LIBL.

6. Specify a text description for the source file if it does not already have one. The description should be unique so that you can use it to help you identify the devices associated with the source file member. This is helpful when you have more than one source file for more than one manufacturer, type, and model.

Examples showing this step of the workstation customizing procedure are provided for the TRANSFORM device class in the corresponding reference chapter in Part 3 of this book. After you have retrieved the workstation customizing source, you can begin changing it to customize your device.

---

## Retrieving Source for Devices Not Supported by IBM

If you are customizing the keyboard for an unsupported twinaxial display, you must select the supported twinaxial display that your display emulates.

If you want to create a workstation customizing object for an ASCII device that is not supported by IBM and you want to retrieve a source file for the object, you need to compare the specifications for the unsupported device with the specifications of IBM-supported devices. You can also use the *ASCII Work Station Reference* to help you match your display with a supported ASCII display. If you find a moderately close match between sets of specifications, you can then specify the device type and model of that IBM-supported device in the RTVWSCST command. This allows you to retrieve source that may be compatible with the unsupported device you want to customize.

**Note:** The source you retrieve for an unsupported device based on an IBM-supported device will not be totally compatible with the device. You may have to use trial-and-error methods when working with the source to create a customizing object that works effectively.

If you do not want to attempt to match device specifications or you cannot find an IBM-supported device that has similar specifications to your device, you can create a source file and blank source file member to enter the tag language and table information yourself. This method of creating workstation customizing source is not recommended; however, if you cannot find any IBM-supported devices with matching specifications, it may be simpler to create a new source file member yourself than to retrieve and try to change a source file member for a totally different device type.

---

## Errors and Recovery

The following list describes some errors that can occur during this step and what you can do to recover from the error.

- **One or more parameters on the RTVWSCST command not valid**

To find out which parameters were not valid, use the Display Job Log (DSPJOBLOG) command and press F10 (Display detailed messages) to look at the detailed messages that were sent when you ran the RTVWSCST command. Note the parameter values that the system found to be not valid. Use the planning information in “Preparing for Workstation Customizing” on page 5 to make any necessary corrections and try the RTVWSCST command again.
- **You are not authorized to use the RTVWSCST command**

Have the security administrator (QSECADM) for your system use the Grant Object Authority (GRTOBJAUT) command to give you the proper authority to use the command. You can then try the command again.
- **Parameter KBD required for this device type**

The keyboard (KBD) parameter is required when you specify a twinaxial display for the device type (DEVTYPE) parameter. To look at the valid keyboard types for a twinaxial display, see “Types of Displays and Keyboards” on page 39.
- **Parameter KBD not allowed for this device type**

The keyboard (KBD) parameter is not allowed when you specify an ASCII display or printer for the device type (DEVTYPE) parameter. Remove the value you specified for this parameter and try the RTVWSCST command again.
- **Device type specified not compatible with the actual device**

This may occur when retrieving workstation customizing source for devices not supported by IBM. Be sure that the device type you specify for an unsupported device is the same as the device type of the actual device you are using. For

example, If your unsupported device is an ASCII display, be sure that the supported device you select for the device type parameter of the RTVWSCST command is an ASCII display.

The mapping tables retrieved will not be completely compatible with your device; however, the source retrieved should contain the appropriate mapping tables and corresponding customizing language tags. You should be able to make the necessary changes to the mapping tables in the source using the hexadecimal code information in the reference book for the device.

- **Keyboard language type not allowed**

The keyboard language type (KBDTYPE) parameter is not allowed when you specify \*TRANSFORM for the device type (DEVTYPE) parameter. Remove this value and try the RTVWSCST command again.

- **Manufacturer type and model not allowed**

The manufacturer type and model (MFRTYPMDL) parameter is not allowed when you specify anything other than \*TRANSFORM for the device type (DEVTYPE) parameter. Remove this value and try the RTVWSCST command again.

- **Manufacturer type and model required**

The manufacturer type and model (MFRTYPMDL) parameter is required when you specify \*TRANSFORM for the device type (DEVTYPE) parameter. To see the allowed values, type in the RTVWSCST command, and press F4 (Prompt). In the MFRTYPMDL field, press F4 (Prompt). Specify one of the values shown for the MFRTYPMDL parameter, and try the RTVWSCST command again.

- **Keyboard language type required**

The keyboard language type (KBDTYPE) parameter is required when you specify anything other than \*TRANSFORM for the device type (DEVTYPE) parameter. Specify a keyboard language type and try the RTVWSCST command again.

- **Source member required**

The source member (SRCMBR) parameter is a required parameter. Specify a source member and try the RTVWSCST command again.

---

## Verifying the Source Is Retrieved Successfully

When you have completed the procedure to retrieve the source for the customizing object, you can use the Source Entry Utility (SEU) to verify the source file member has been created.

1. Type STRSEU (Start Source Entry Utility) and press F4 (Prompt).
2. Type the name of the source file you created for the workstation customizing source. (Specify QXTSRC for this value if you used the system default source file for the RTVWSCST command.)
3. Type the name of the library where the source file you specified is stored. If you used the system default source file for the RTVWSCST command, specify:
  - QGPL as the library for devices that use the emulator on the display or the emulator on the workstation controller.
  - \*LIBL as the library for printers that use the host print transform function.
4. Type the name of the source file member you specified for the RTVWSCST command and press the Enter key.

The workstation customizing source should appear on your display. If the system cannot find the source, press F9 (Retrieve) as needed to look at the names you specified when you ran the RTVWSCST command. Try the verification procedure again.

If you still cannot find the source, verify that the source was created successfully by entering the Display Job Log (DSPJOBLOG) command and pressing F10 (Display detailed messages) to look at the detailed messages that were sent when you ran the RTVWSCST command.

---

## Chapter 3. Changing the Source to Customize Your Workstations

Now that you have the source file for the customizing object, you can make the changes necessary for the device to display or print correctly. For this step you need to have the following information available:

- The list of characteristics you want to change and the corresponding hexadecimal values needed to make the changes (see Chapter 1. Planning For and Setting Up Workstation Customizing)
- The tag language reference information
- The guide and reference information for the device

The workstation customizing source you retrieved in step 2 (Figure 3 on page 4) contains the mapping tables for the specified device converted into the tag language structure. To change these tables, you need to understand the hexadecimal codes used by the device and the workstation controller or the host print transform function. Understanding the hexadecimal codes helps you make the changes and additions correctly. These hexadecimal codes are classified as control codes, escape sequences, and control sequences.

---

### Using Control Codes, Escape Sequences, and Control Sequences

Some applications send commands to the devices they use in the form of control codes, escape sequences, or control sequences. These commands are sent within the data stream to provide instructions for the display and printer devices. The codes and sequences may be called other names by device manufacturers other than IBM. The important thing is that the ASCII command sequence is a string of hexadecimal data that directs the device to perform a specific function.

For IBM devices, control codes are the simplest hexadecimal codes and provide the basic device functions. A control code is usually a single byte of hexadecimal data that tells the device to perform a basic function. Some examples of functions that are called by control codes are the vertical tab, carrier return, and backspace functions.

Escape sequences and control sequences are strings of hexadecimal data, 2 or more bytes long, that tell the device to perform more complicated functions. For example, character highlighting, selecting character sets, and selecting fonts are among the functions called by escape sequences. Selecting the code page, setting the cursor position, and selecting global fonts are functions called by control sequences.

Within your workstation customizing source, these codes and sequences are indicated by specific tags. For example, there are two tags associated with underlining for an ASCII printer attached to a 3477 display. The STRUS (start underscore) and ENDUS (end underscore) tags each have a data parameter. The data parameter specifies the hexadecimal ASCII sequence that tells the printer to start and end underlining.

For example, you have a Hewlett-Packard LaserJet 4 printer and you want to underline text. The printer does not currently underline text, although it is capable of doing so, as stated in the printer reference manual. To add support for this function,

change the hexadecimal data for the STRUS and ENDUS tags. The following example section of source shows this change:

```
.
.          /* Add next tags, hex values          */
.          /* from the device reference manual */
:STRUS
  DATA = '1B26643044'X.
:ENDUS
  DATA = '1B266440'X.
.
.
.
```

---

## Structure of Customizing Objects

Each source file member contains the source code for a single workstation customizing object. The source file member always begins with a WSCST (workstation customizing object) tag and ends with an EWSCST (end workstation customizing object) tag. Secondary tags must follow their associated primary tags in each source file member. This is strictly enforced by the workstation customizing object compiler. The content and structure of the source file member is determined by the device class, indicated by the DEVCLASS parameter of the WSCST tag. The general source structure for a workstation customizing source file member is shown in Figure 4.

```
:WSCST
      DEVCLASS=TWINAXDSP|ASCIIDSP|
      TWINAXPRT|ASCIIPRT|TRANSFORM.
.
.
.
/*tag or comment*/
.
.
.
.
:EWSCST.
```

*Figure 4. Syntax for the Workstation Customizing Object Tag*

The possible values for the DEVCLASS parameter on the WSCST tag are:

### **TWINAXDSP**

An EBCDIC display connected by a twinaxial cable.

### **ASCIIDSP**

An ASCII display connected by way of a local ASCII workstation controller.

### **TWINAXPRT**

An ASCII printer connected to one of the following twinaxial displays: 3477, 3486, 3487, or 3488 that use the emulator on the display.

**Note:** The 3477 twinaxial display must be a Model H display. To verify this, see the procedure described in “Setting Up a 3477 Twinaxial Display” on page 371.

**ASCIIPRT**

An ASCII printer (connected by way of a local ASCII workstation controller) that uses the emulator on the workstation controller.

**TRANSFORM**

An ASCII printer that uses the host print transform function.

When you retrieve the source file member for a device, the tags are set up in the appropriate structure and the values on the tags are from the system mapping tables for that particular device. The allowable structures for source file members (hereafter called source) for each device class are shown in the corresponding reference chapters in this part of the manual.

---

## Using Source Entry Utility to Change the Tags and Keywords

To change the mapping tables used, change the tags and their associated keywords and values using the source entry utility (SEU). SEU is a function of the AS/400 Application Development ToolSet/400 licensed program that is used to create and change source members.

Use the following procedure to change the source file members you created previously in step 2 (Retrieving the source).

1. Type

```
STRSEU SRCFILE(library/source file name)
```

on any command line. The library and source file you specify should be the one you created in step 2. Press the Enter key.

2. Type a 2 (Edit) in the *Option* column next to the file member containing the customizing source you want to change and press the Enter key.
3. Use the tag language as described in Part 2 and Part 3 to change the values for mapping tables used by your device. The following list will help you find the tags specific to the device you are customizing.

**Twinaxial display (keyboard)**

See "Working with the Tag Language for Twinaxial Displays" on page 62.

**ASCII display**

See "Working with the Tag Language for ASCII Displays" on page 93.

**ASCII printer that uses the host print transform function**

See "Changing the Source" on page 147.

**ASCII printer attached to a 3477, 3486, 3487, or 3488 twinaxial display that uses the emulator on the display**

See "Working with the Tag Language for ASCII Printers Attached to Twinaxial Displays" on page 207.

**ASCII printer that uses the emulator on the workstation controller**

See "Working with the Tag Language for Directly Attached ASCII Printers" on page 244.

**Note:** A device that uses the emulator on the workstation controller may have entire tables you do not want to customize. You can delete the mapping tables you do not want to customize. For example, if you did not need to change the ASCII-to-EBCDIC mapping table, you could delete this table from your workstation customizing source. Doing this reduces the storage requirements on the workstation controller. The workstation controller then



uses the default mapping tables associated with your device type to map the data properly between the device and the system. You should not however, delete the tags for individual functions, such as the tags for the printer definition table. When you delete these tags and values, the workstation controller does not map the associated function at all.

Examples showing this step of the workstation customizing procedure are provided for each device class in the corresponding reference chapters in Part 2 and Part 3 of this book. When you have finished making the changes to the workstation customizing source, you can create the customizing object that allows you to customize your device.

When you have completed the changes to the source member, use the Create Work Station Customizing Object (CRTWSCST) command. This command creates the new customizing object for the device.

---

## General Programming Considerations for Workstation Customizing

The general syntax for the tags used by the workstation customizing tag language is as follows:

```
tagid
  keyword = value
      .
      .
      .
  delimiter
```

The following rules apply to all the tags and keywords used for the workstation customizing tag language.

- Tag identifiers (IDs) begin with a colon followed by a character string. The total maximum length of a tag ID is 15 characters.
- Keywords that are associated with a tag ID have a maximum length of 10 characters.
- Parameters (for tags that require parameters) are represented by pairs of keywords and values.
- Values that are not hexadecimal are limited to a length of 32KB. The allowable length for hexadecimal values depends on the size of the table you are working with. The allowable length is shown in specific places within the tag descriptions.
- The ending delimiter for all tags is a period.
- Blanks are not allowed within the tag names, identifiers, keywords, or values. Blanks are allowed anywhere else in the source.
- The tag language for workstation customizing can be coded in free form. There are no column-dependent restrictions. Tags may begin in any column.
- Comments can appear anywhere in the source as long as they are not in the middle of a tag, keyword, or value. A comment is coded in the following form:

```
/* . . . character string . . . */
```

- Values associated with the keywords for the tags are in one of the following formats:

### Character constants

These values are to be coded exactly as shown in the tag descriptions.



### Integer values

These values may be signed or unsigned, 0 through 9. The default for integer values is unsigned, unless noted for a specific value. The value 0 is valid unless it is explicitly excluded in the value portion of the tag description.

### Hexadecimal values

These values are coded using the following notation:

```
'xxxx'X
```

The xxxx within the apostrophes in the example represents an *even* number of the characters 0–9 and A–F. You can code a hexadecimal value as a single string, or the string can be broken into many contiguous strings. Contiguous strings are logically concatenated so that the resulting value is equal, internally, to a single large string.

## Finding the Hexadecimal Values for the Tags

The hexadecimal and integer values required for the workstation customizing tags are in the reference book or reference section of the book that came with the device you want to customize. You create some of the data parameter values based on the combination of keys (and codes) you use to represent a control or command sequence. In these cases, you concatenate the hexadecimal values for several individual keystrokes to create a “single keystroke”.

Twinaxial scan codes for the 122-key, 5250, and enhanced keyboards are listed in “Keyboard Scan Codes” on page 42.

For each device class supported by the workstation customizing functions, there is a corresponding reference chapter. The reference chapters provide the detailed technical information you need. The reference chapters also provide examples to help you work with the tag language and the workstation customizing source. A number of appendixes also provide keyboard layouts, source examples, additional procedures, and hexadecimal conversion tables. Appendix C. Character to Hexadecimal Value Tables provides the hexadecimal values for the United States ASCII character codes. “EBCDIC Character Code to Hexadecimal Value Chart” on page 367 provides an EBCDIC character to hexadecimal value conversion table.

---

## Errors and Recovery

The following list describes some errors that can occur during this step and what you can do to recover from the error.

- **Library containing the workstation customizing source not found**

The library in which the workstation customizing source is stored does not exist or could not be found by the system. Use the Display Library (DSPLIB) command to verify that the library you specified is the correct library and to verify that the library exists. Use the Display Job Log (DSPJOBLOG) command to verify that you spelled the name of the library correctly when you used the Retrieve Work Station Customizing Object Source (RTVWSCST) command. If you specified the default value when you retrieved the source, the library name is QGPL.

- **Source file containing the workstation customizing source not found**

The source file where the workstation customizing source is stored does not exist or could not be found by the system. Use the Display Library (DSPLIB) command

to display the library you used to store the workstation customizing source. Type the option to display the objects next to this library name and look for your source file. If it is not present, use the Display Job Log (DSPJOBLOG) command to verify that you spelled the name of the source file correctly when you used the RTVWSCST command. If you specified the default value when you retrieved the source, the source file name is QXTSRC. If you cannot find the source file you created in “Chapter 2. Retrieving the Workstation Customizing Source” on page 11 , you may need to use the RTVWSCST command again.

- **Source file member containing the workstation customizing source not found**

The source file member where the workstation customizing source is stored does not exist or could not be found by the system. Use the Display File Description (DSPFD) command specifying your source file and library names. Page down through the file information and look at the member names. If your source file member is not listed, use the Display Job Log (DSPJOBLOG) command to verify that the member was created successfully and that you spelled the name of the library correctly when you used the RTVWSCST command. If you cannot find the source file member, you may need to use the RTVWSCST command again.

- **Part of workstation customizing source typed over or deleted**

As previously stated, the workstation controller is dependent on having all necessary mapping tables for a specific device. If one of the mapping tables embedded in your source is accidentally typed over or partially or completely deleted, you need to recover the lost tables and code. One way to do this is to use the RTVWSCST command to retrieve a new copy of the source you started to change. With this new source, you can either copy the missing parts into the source you were originally changing or, if you have not made too many changes to the original source, you can make these changes to the new copy of the source and delete your original source when the changes are complete.

---

## Verifying That the Source Changes Are Complete

Your workstation customizing source changes are complete when you have changed all the hexadecimal and integer values for the DATA parameters on the tags representing the appropriate table values for the characters, command, and control sequences for your device. These are the values you listed in the planning steps of this procedure described in Chapter 1. Planning For and Setting Up Workstation Customizing.

---

## Chapter 4. Creating the Workstation Customizing Object

After you change the values in the source for the workstation or ASCII printer you are customizing, you are ready to create the customizing object. To do this, you use the Create Work Station Customizing Object (CRTWSCST) command to compile the source file members containing the tags you added or changed in step 3 (see Figure 3 on page 4). You need to use this command for each source file member you created and changed in step 3 of the customizing procedure.

---

### Compiling and Creating the Workstation Customizing Object

When you are ready to use the CRTWSCST command, see the maps of matching parameters in Table 43 on page 373 and Table 44 on page 374. To compile and create the workstation customizing object, do the following:

1. Type CRTWSCST on any command line and press F4 (Prompt).
2. Specify a name for the customizing object. This name should be unique to the device for which the object is being created. For example, if you are planning to use this object for a group of ASCII workstations, you might want to name the object ASCWSC1. This is a required parameter.
3. Press F10 (Additional parameters) to display the remaining parameters.
4. Specify the name of the library and the name of the source physical file that contains the customized tag language. (You created this file in step 2 of the customizing procedure).
5. Specify the name of the source file member you created and changed in step 3 of this procedure.
6. Specify the authority you want to grant to users who do not have specific authority to the object.
7. Indicate whether or not this customizing object should replace an existing customizing object of the same name. (Specify \*YES for the *Replace* field when you have made new changes to existing customized tables.)
8. Specify a text description for the customizing object if it does not already have one.  
Your description should be unique so that you can use it to help you identify a customizing object you created to customize one or more specific devices. If you do not specify any text here, the text is taken from the source member you specified previously.
9. Press the Enter key.
10. Press F10 (Include detailed messages) on the Command Entry display to look at the messages associated with the CRTWSCST command and to verify the command completed successfully.

After you create the customizing object, you can use it to customize one or more devices of the same type. For example, you may create a customizing object for an ASCII workstation and you may want to use seven of these workstations with your AS/400 system. You can use the single customizing object you created for all seven of the workstation configurations, or you can use a different customizing object for each of the seven identical workstations.

You can also save the customizing object in a save file or on tape. You can then distribute the object to another AS/400 system in a network. At the receiving system, the object can be restored. The object can then be used by:

- Workstation controllers attached to the receiving system
- The host print transform function on the receiving system

For more information about saving, restoring, and distributing objects, see the *Backup and Recovery* book and the *Central Site Distribution* book.

Examples showing this step of the workstation customizing procedure are provided for each device class in the corresponding reference chapters in Part 2 and Part 3 of this book. When you have finished creating the workstation customizing object, you can change the device description for your device. For devices that use the emulator on the workstation controller or the display, you can vary the device off and on. This loads the object into the workstation controller for the device. For printers that use the host print transform function, you can start the printer writer to use the customized object for the printer.

---

## Errors and Recovery

The following list shows some of the error messages that can be sent to the job log during this step of the workstation customizing procedure. The recovery for each error is in the help information on the AS/400 system for the individual message and is not duplicated here. This list is provided to give you an idea of the kinds of errors that can occur.

- Combination of keyword values not valid
- Combination of keyword values already specified
- Comment starting on line X not closed
- Ending delimiter on hexadecimal value not valid
- Ending period missing on tag
- Ending period not found for tag
- Format of keyword starting on line X not valid
- Hexadecimal value on line X not correct
- Internal error occurred
- Keyword not allowed on tag
- Keyword is not allowed
- Language type value not valid
- Length of associated value for keyword incorrect
- Mapping for code page occurred multiple times
- Required tag not found
- Required keyword not found for tag
- Required combination of keyword values missing
- Required mapping for code page not found
- Start comment delimiter found inside comment
- Starting delimiter on hexadecimal value not valid
- System monospace table not found
- Tag not found
- Tag on line X not allowed
- Too few tags found

- Too many tags found
- Value for keyword not allowed
- Workstation customizing object not created

The following is a list of errors that can also occur during this step in the procedure but do not correspond to a specific AS/400 error message.

- **You are not authorized to use the CRTWSCST command**

Have the security administrator (QSECADM) for your system use the Grant Object Authority (GRTOBJAUT) command to give you the proper authority to use the command. You can then try the command again.

- **You are not authorized to use the library in which the source file is stored.**

Have the security administrator (QSECADM) for your system use the Grant Object Authority (GRTOBJAUT) command to give you the proper authority to use the library (create and store files and members there). You can then try using the CRTWSCST command again.

- **Programming errors**

The workstation customizing functions are based on the use of a tag language that has syntax rules much like any other programming language. When you have a coding error, you can use the messages in the job log associated with your AS/400 session to help you resolve the error. If the workstation customizing object is created and the character or function you are trying to add or change does not work, you need to go back to your device book and verify the hexadecimal values you used for the data parameters. As with most types of programming, customizing a device involves some trial-and-error.

---

## Verifying the Workstation Customizing Object Is Created

To verify that the workstation customizing object has been successfully created, use the Display Job Log (DSPJOBLOG) command and press F10 (Display detailed messages) to show the messages that were sent when you used the Create Work Station Customizing Object (CRTWSCST) command. If the object was created, a message is shown indicating that the creation was successful.

**Note:** If you need to delete a workstation customizing object from your system, you use the Delete Work Station Customizing Object (DLTWSCST) command.



---

## Chapter 5. Testing the Customizing Object

After the customizing object has been successfully created, test the results of your changes. To test the results of your changes, specify the new object in the device description and then vary on the device. For this step, you need the following information:

- The name of the device description
- The library and name for the customizing object
- Security authorization for both the object and the library in which it is stored

For examples of this step in the workstation customizing procedure, see the example sections in the reference chapters for each device type in Part 2 and Part 3 of this book.

---

### Changing the Device Description

To specify the workstation customizing object in the device description for the device you are customizing, use the following procedure:

1. Type the appropriate change device description command (either CHGDEVDSP for a display or CHGDEVPRT for a printer) and press F4 (Prompt).
2. If the device you are customizing is an ASCII printer that uses the host print transform function, you must enable the host print transform function.
  - a. Specify the value for your printer in the *Manufacturer type and model* field. You can press Prompt (F4) on the *Manufacturer type and model* field to display a list of values for this field.

**Note:** If your printer is not shown in the list of manufacturer type and model values, specify \*WSCST.

- b. Specify the following parameters in the device description:
  - Paper source 1
  - Paper source 2
  - Envelope source
  - ASCII code page 899 support

For a description of these parameters, see the *CL Reference (Abridged)* book.

3. Press F10 (Additional parameters) and page through the information until the *Workstation customizing object* field is shown.
4. Type the name of the workstation customizing object followed by the name of the library where it is stored and press the Enter key.

---

### Varying On the Device

Use the Vary Configuration (VRYCFG) command to vary on the devices you have customized. For devices using the emulator on the workstation controller or the display, the mapping tables you have changed are downloaded to the workstation controller. The mapping tables are actively used to convert data between the device and the AS/400 system. For printers using the host print transform function, the mapping table you changed is not used when the device is varied on. The printer still needs to be varied on, however. Do the following:

1. Type VRYCFG on any command line and press F4 (Prompt).
2. Type the names of the devices you are ready to vary on (from the device descriptions you just changed).
3. Specify the device type (\*DEV in most cases).
4. Specify \*ON for the status, and press the Enter key. The devices move to a status of Vary on pending.

To view the status of the devices, use the Work with Configuration Status (WRKCFGSTS) command. Your devices should show a status of Vary on pending, Active, or Signon display.

**Note:** If for any reason, your displays are not functioning properly or the customization is not successful (that is, the displays do not respond at all), you can use the QCONSOLE display to reset the system so that the original system mapping tables are used until you can correct the customizing source and recompile the customizing object.

---

## Starting the Printer Writer for a Printer That Uses Host Print Transform Function

Use the Start Printer Writer (STRPRTWTR) command to start the printer writer for the customized printer that uses the host print transform function. When you start the printer writer, the host print transform function uses the customized AS/400 mapping table to transform the data from the AS/400 system to the printer for spooled print jobs. For nonspooled print jobs, the customized mapping table is used when the job is printed.

**Note:** For ASCII printers attached to the AS/400 system through Client Access/400, the printer writer is automatically started when the workstation function printer session is started.

---

## Errors and Recovery

The following list describes some errors that can occur during this step and the things to do to recover from the error.

- **Unchanged characters and control sequences not displayed or printed**

This can happen when the tags or the mapping tables for characters or control sequences that you did not customize have been accidentally deleted from the source. The customizing object created from such source no longer contains the necessary mappings for the characters and control sequences you did not want to change. The workstation controller or the host print transform function has no information to use to map these characters and control sequences.

Save the source from which these tags or tables have been deleted. Create a new source file using the RTVWSCST command just as you did when you created the original source for the object. Using the original source as a guide, make the changes for customization as you did for the original source, taking care not to delete any of the tags or mapping tables. When this is complete, use the Create Work Station Customizing Object (CRTWSCST) command to create the object again. Be sure the customizing object is specified in the device description. Then vary on the device. If the device is using the host print transform function, start the printer writer for the printer. The results should be what you expected.



- **Mapping table changes (customizing) not producing expected results**

This can occur when one or more of the hexadecimal or integer values you changed in the workstation customizing source is not correct. For example, because some of the hexadecimal values are very large, you may have typed a value incorrectly or recorded a different hexadecimal value from the device book than the value you needed. First, check the list of changes you created when you did the planning for customizing (step 1 in Figure 3 on page 4). Verify that the values you recorded when planning the customizing are the correct values by rechecking the device reference manual. Be certain that the values you recorded are the correct values for the keys, characters, and control functions you wanted to change. Next, verify that the values you entered into the customizing source match the values you recorded when planning the customization. Make any necessary changes. Use the Create Work Station Customizing Object (CRTWSCST) command to create the customizing object again. Vary on the device. If the device is using the host print transform function, start the printer writer for the printer. Then test the keys or functions you changed.

- **Customizing object or library not found**

Either the workstation customizing object or the library where it resides was not found by the system. Use the Display Library (DSPLIB) command to look at the contents of the library where the customizing object should be stored and verify that the library you specified is the correct library and that the object has been created.

If the object is in the list of objects for the library, check the spelling of the object name. Verify that you typed this name correctly in the device description.

If the customizing object is not in the library, check to see if the source member was added to the user file QTXTSRC in the following libraries:

- QGPL for devices that use the emulator on the display or the emulator on the workstation controller.
- \*LIBL for printers that use the host print transform function.

You may want to move it to one of your own libraries. If you cannot locate the customizing object at all, use the CRTWSCST command to create the object again.

- **Library not found**

The library where the workstation customizing object should reside does not exist or could not be found by the system. Use the Display Library (DSPLIB) command to verify that the library you specified is the correct library and to verify that the library exists. Verify that you spelled the name of the library correctly in the device description.

- **Value not valid for parameter**

The value you entered for one of the command parameters is not valid or is incorrect. Use the AS/400 online help information or the *CL Reference (Abridged)* to verify the values of parameters. Change the parameter value and try the command again.

- **You are not authorized to the workstation customizing object**

Have the security officer or the owner of the workstation customizing object use the Grant Object Authority (GRTOBJAUT) command to change the authorities for the object so that you can use it. The authority can be set to \*USE or \*ALL for one or more user IDs. \*ALL also allows you to change and delete the object as well.

- **Workstation customizing object damaged**

Delete the damaged object. Either use the source you used to create the object originally and create a new workstation customizing object, or If you periodically save your system and data, use the Restore Object (RSTOBJ) command to restore the object. Analyze Problem (ANZPRB) command to describe and report the problem to your service representative. If the problem persists, it may be a system problem. Use the Analyze Problem (ANZPRB) command to describe and report the problem to your service representative.

- **You are not authorized to the library where the workstation customizing object is stored**

Have the security officer or the owner of the library in which the workstation customizing object is stored use the Grant Object Authority (GRTOBJAUT) command to change the authorities for the library so that you can use it. The authority can be set to \*USE or \*ALL for one or more user IDs. \*ALL also allows you to change and delete the object as well.

- **Device not varying on**

There are three cases for this problem. The first involves the storage limitations of the workstation controller. The second case involves the keyboard type you selected when you retrieved the workstation customizing source. The third case involves a mismatch between the language you selected for the workstation customizing source and the language you specified in the description for the device. Table 1 describes what you can do to look at and correct this problem.

**Note:** This problem does not occur for printers customized through the host print transform function.

Table 1. Device Does Not Vary On

Problem	Recovery
Workstation controller storage capacity exceeded	<p>If you have varied a device off and on many times to test a workstation customizing object, new or changed mapping tables have been downloaded to the workstation controller each time you have varied on the device. It is possible that the storage for the workstation controller is full to capacity. To verify this, check the error messages in the QSYSOPR message queue. If the workstation controller storage is full, you need to vary off the controller, and then vary it on again specifying RESET(*YES). Use the following values on the Vary Configuration display to vary on the controller, specifying your controller name for <i>ctlname</i>.</p> <ul style="list-style-type: none"> <li>– CFGOBJ(<i>ctlname</i>)</li> <li>– CFGTYPE(*CTL)</li> <li>– STATUS(*ON)</li> <li>– RESET(*YES)</li> </ul> <p>To display the <i>Reset</i> parameter on the Vary Configuration display, you need to press F10 (Additional parameters).</p>

Table 1. Device Does Not Vary On (continued)

Problem	Recovery
<p>Keyboard attached value specified on RTVWSCST command is not correct</p>	<p>If you are customizing a twinaxial display or an ASCII printer attached to a twinaxial display, verify that the value you selected for the keyboard attached parameter when you retrieved the workstation customizing source is the correct keyboard type for your display. "Keyboard Translation Table (TKBDTBL) Tag" on page 63 describes the language types and keyboards that match the IBM-supported twinaxial displays and the shift states supported for those keyboards. If the keyboard type does not match one of those supported by the display, the device will not vary on and a message indicating the vary on status is Failed will appear on the Configuration Status display.</p> <p>If you have specified an incompatible value for the keyboard attached parameter when you retrieved the source for customizing a twinaxial display or ASCII printer attached to a twinaxial display, you need to use the Retrieve Work Station Customizing Object Source (RTVWSCST) command again, specifying a compatible keyboard for this value. You can then make the same changes to this new source that you made in the original source, create the new workstation customizing object, and try to vary on the device again.</p>
<p>Language type in workstation customizing object does not match language type specified in device description</p>	<p>When you are customizing any type of device, you must be sure that the keyboard language type you specify when you retrieve the source exactly matches the keyboard language type (for displays) or the language type (for printers) in the device description. If these values do not match, the device fails to vary on and messages are sent to the job log.</p> <p>To correct this, you must change either the language type you selected to retrieve the workstation customizing source, or the language type in the device description. If you decide to change the value you specified for the source, you need to use the Retrieve Work Station Customizing Object Source (RTVWSCST) command again, specifying the correct language type for this value. You can then make the same changes to this new source that you made in the original source, create the new workstation customizing object, and try to vary on the device again.</p>

- **Workstation controller failed**

The workstation customizing object has caused the workstation controller to fail. The workstation controller does limited checking to detect certain common errors that may have been made in specifying the mapping table data of a customizing object. For example, it checks that twinax keyboard translation table entry values are within a specified range. However, the workstation controller does not verify all the data in the mapping tables for all possible errors. Data specified incorrectly in a mapping table could cause unpredictable results, including a possible failure of the workstation controller. If the controller has failed due to the data in a workstation customizing object, remove that customizing object from all device descriptions. You need to make corrections to your workstation customizing source. To do this, return to Chapter 3. Changing the Source to Customize Your Workstations, and complete the workstation customizing procedures again from step 3, changing your source.

If the workstation controller fails without using the customizing object, you may have a problem with the workstation controller. Check the QSYSOPR message queue and error log to look for the cause of the failure. You may need to run problem analysis from the QSYSOPR message queue, create an APAR using the Create Authorized Problem Analysis Report (CRTAPAR) command, or contact your software support specialist.

---

## Verifying a Successful Vary On

To see whether or not the device has been varied on, use the Work with Configuration Status (WRKCFGSTS) command to look at the status of the device. The status should be Active, Sign On display, Varied on or Vary on Pending. When the display or printer is varied on, you should check to see whether or not the customization procedure was a success. You can do this by looking at the plan you created and verifying that the characteristics you wanted to change are working (printed or displayed with no unexpected results or controller failures). If all is working according to your plan, then the workstation customizing procedures are complete. Otherwise, you may need to make more changes to your workstation customizing source. To do this, return to Chapter 3. Changing the Source to Customize Your Workstations and complete the workstation customizing procedures again from step **3**, changing your source.

---

## Part 2. Display and Keyboard Customization Technical Reference

<b>Chapter 6. Customizing Displays and Keyboards</b> . . . . .	35
Determining Whether a Display or Keyboard Can Be Customized . . . . .	35
Understanding Function Support for Displays and Keyboards . . . . .	35
Customizing Twinaxial Displays . . . . .	36
Customizing ASCII Displays . . . . .	36
Customizing the System-Supplied Mapping Tables . . . . .	37
<b>Chapter 7. Customizing Twinaxial Displays</b> . . . . .	39
Types of Displays and Keyboards . . . . .	39
Customizing Unsupported Twinaxial Displays . . . . .	41
Working with Keyboard Translation Tables and the Workstation Controller . . . . .	41
Keyboard Scan Codes . . . . .	42
National Language Requirements . . . . .	47
EBCDIC Code Page Standards . . . . .	47
Keyboard Layout Standards . . . . .	48
Customizing Restrictions for Twinaxial Display Keyboards . . . . .	48
122-Key Typewriter Keyboard Translation Table Restrictions . . . . .	50
122-Key Data Entry Keyboard Translation Table Restrictions . . . . .	50
5250 Typewriter Keyboard Translation Table Restrictions . . . . .	50
5250 Data Entry Keyboard Translation Table Restrictions . . . . .	51
Enhanced Keyboard Translation Table Restrictions . . . . .	51
Determining Which Twinaxial Keyboard Translation Table to Customize . . . . .	51
Twinaxial Display Source Format . . . . .	52
Changing the Entries in Your Workstation Customizing Source . . . . .	54
Entry Format for EBCDIC Character Conversions . . . . .	54
Entry Format for Diacritic Characters . . . . .	56
Entry Format for Blank Keys and Unassigned Scan Codes . . . . .	57
Entry Format for the Proof Space Character . . . . .	58
Entry Format for Function Keys . . . . .	58
Changing Source Entries for Scan Codes That Are Not Valid . . . . .	61
Keyboard Functions Not Specified in Translation Tables . . . . .	61
Working with the Tag Language for Twinaxial Displays . . . . .	62
Using the Tags to Customize Twinaxial Display Keyboards . . . . .	62
Keyboard Translation Table (TKBDTBL) Tag . . . . .	63
Keyboard Translation State Table (TKSTATE) Tag . . . . .	65
Customizing a 3477 Twinaxial Display for Diacritic Character Support . . . . .	68
Step 1: Planning the Customizing . . . . .	68
Step 2: Retrieving the Workstation Customizing Source . . . . .	69
Step 3: Changing the Source . . . . .	70
Step 4: Creating the Workstation Customizing Object . . . . .	70
Step 5: Varying On the Device . . . . .	71
<b>Chapter 8. Customizing ASCII Displays</b> . . . . .	73
Beginning to Customize ASCII Displays . . . . .	73
Customizing Unsupported ASCII Displays . . . . .	74
Working with ASCII Displays and the Local ASCII Workstation Controller . . . . .	75
Twinaxial Device Emulation . . . . .	77
ASCII Character Sets and Code Pages . . . . .	78
ASCII Control Codes . . . . .	79
ASCII Command Sequences . . . . .	79
ASCII Display Keyboard Operations . . . . .	80
Processing Data for an ASCII Display . . . . .	84

Inbound and Outbound Processing . . . . .	84
Mapping Tables for ASCII Display Keyboards . . . . .	85
Mapping ASCII Graphic Character Data . . . . .	86
Mapping ASCII Control Characters and Control Sequences . . . . .	87
Mapping Tables for ASCII Display Screens . . . . .	89
ASCII Update Screen Table . . . . .	89
EBCDIC-to-ASCII Code Mapping Table . . . . .	89
Display Commands for Unsupported Device Types . . . . .	90
Customizing Restrictions for ASCII Displays . . . . .	90
Determining Which ASCII Display Tables to Customize . . . . .	92
Working with the Tag Language for ASCII Displays . . . . .	93
Using the Tags to Customize an ASCII Display Screen . . . . .	95
Working with the Update Screen Table . . . . .	95
Update Screen Table (DSCNTBL) Tag . . . . .	95
Update Screen Tags . . . . .	104
Clear Screen Command . . . . .	106
Display Setup Commands . . . . .	108
Set Graphic Character Set Command . . . . .	109
Set Cursor Display On and Set Cursor Display Off Commands . . . . .	110
Display Attribute Commands . . . . .	111
Attribute Command (ATRCMD) Tag . . . . .	111
Set Screen Size Commands . . . . .	113
Extended Set Cursor Address Command . . . . .	114
Considerations for 132-Column Support . . . . .	116
Working with the EBCDIC-to-ASCII Code Mapping Table . . . . .	117
EBCDIC-to-ASCII Mapping Table (DEBCTBL) Tag . . . . .	117
Using the Tags to Customize an ASCII Display Keyboard . . . . .	119
Working with the ASCII to Keyboard Function Mapping Table . . . . .	119
ASCII to Keyboard Function Mapping Table (DKBDTBL) Tag. . . . .	119
Keyboard Function Tags . . . . .	120
Working with the ASCII-to-EBCDIC Mapping Table . . . . .	123
ASCII-to-EBCDIC Mapping Table (DASCTBL) Tag . . . . .	123
Customizing a DEC VT-320 Display in VT-300 Mode . . . . .	125
Step 1: Planning the Customizing. . . . .	125
Step 2: Retrieving the Workstation Customizing Source . . . . .	126
Step 3: Changing the Source . . . . .	127
Step 4: Creating the Workstation Customizing Object . . . . .	127
Step 5: Varying On the Device . . . . .	127

---

## Chapter 6. Customizing Displays and Keyboards

This chapter provides a brief overview of the workstation customizing functions to prepare you for customizing displays and keyboards. It describes the two different methods you can use to customize the functions of displays and keyboards. It helps you understand which functions can be customized and whether your displays or keyboards can be customized.

---

### Determining Whether a Display or Keyboard Can Be Customized

You can use the test function provided by the display to determine whether or not certain characters are already supported.

Before you start to use the test function, be sure the AS/400 Sign On display is showing. If the Sign On display does not appear on the device, you may need to change the device type (DEVTYPE) parameter in your device description. Change the device type to a type that is more closely matched to your display device. (For a procedure to help you get to a Sign On display, see Appendix D. Setting Up to Customize a Display.)

For twinaxial displays, use the following keystrokes to call the test function. The set of keystrokes you use is determined by the type of keyboard that is attached to the twinaxial display.

5250	Press the Cmd key followed by the Backspace key
122-key	Press the Alt key and the Play key simultaneously
Enhanced	Press the Alt key and the Help key simultaneously

For an ASCII display, press the key sequence Esc+t to call the test function.

The test function uses the tables that were loaded into the workstation controller when you varied on the display. These tables are the system-supplied tables if you did not specify a customizing object in the device description before you varied on the display. If you did specify a customizing object in the device description before you varied on the display, these tables are user-defined tables.

If the characters you need to display are not shown, check the *International Application Development* book to see if they are defined for the code page you specified in the device description. If they are defined for that code page, check to see if the book for the device indicates you can change the code page. (Some displays do not provide this function.) Remember that workstation customizing functions support only the characters and functions that the device and the workstation controller support.

---

### Understanding Function Support for Displays and Keyboards

The workstation customizing functions support twinaxial displays and ASCII displays attached to the AS/400 system by way of a workstation controller. The workstation controller uses mapping tables that are downloaded from the AS/400 system to support the input/output (I/O) for these devices.

The workstation controller processes I/O for a display as inbound processing and outbound processing. Inbound processing is keystroke and function processing from



the display to the AS/400 system. Outbound processing is character and function processing from the AS/400 system to the display.

The workstation customizing functions allow you to customize only the inbound, or keystroke processing, for a twinaxial display. The workstation customizing functions allow you to customize both inbound and outbound processing for an ASCII display.

## Customizing Twinaxial Displays

The workstation customizing functions allow you to customize keystroke processing for the following supported twinaxial displays:

3179	3197	3486	5251
3180	3476	3487	5291
3196	3477	3488	5292

You can also customize keystroke processing for unsupported twinaxial displays. For more information on customizing unsupported twinaxial displays, see “Customizing Unsupported Twinaxial Displays” on page 41.

Customize the characters and functions called from the keyboard of a twinaxial display by changing the hexadecimal values in the twinaxial keyboard translation table. You may also need to change the keyboard language type specified in the device description if:

- You are using a language other than your primary language
- You want to use a special character set

The workstation controller uses the twinaxial keyboard translation table to translate the keyboard scan codes from a twinaxial keyboard. The keyboard scan codes are translated into either character codes or internal function codes for processing by the AS/400 system. For complete information on customizing the twinaxial keyboard translation table, see Chapter 7. Customizing Twinaxial Displays.

## Customizing ASCII Displays

The workstation customizing functions allow you to change both inbound and outbound processing for the following supported ASCII displays:

3101  
3151  
3161  
3162  
3163  
3164  
D220 (Data General Dasher D220)  
T910 (TeleVideo 910)  
T925 (TeleVideo 925)  
T955 (TeleVideo 955)  
V100 (DEC VT-100)  
V220 (DEC VT-220)  
W30 (Wyse WY30)



W50 (Wyse WY50)

W60 (Wyse WY60)

You can also customize inbound and outbound processing for unsupported ASCII displays. For more information on customizing unsupported ASCII displays, see “Customizing Unsupported ASCII Displays” on page 74.

Customize the characters and functions called from the ASCII display and keyboard by changing the hexadecimal values in a set of system-provided mapping tables. For a better understanding of the default character and control sequence mappings, retrieve the source for the display and keyboard as described in Chapter 2. Retrieving the Workstation Customizing Source. You can then use the source entry utility (SEU) to view the default character and control sequence mappings.

## Customizing the System-Supplied Mapping Tables

Customizing the ASCII workstation for use with the AS/400 system is accomplished by changing the hexadecimal values in one or more of the following tables:

- ASCII-to-EBCDIC mapping table  
This table converts an ASCII character value in the range '20'X to 'FF'X into a single EBCDIC character code value.
- ASCII-to-keyboard function mapping table  
This table converts an ASCII control character value or a character sequence beginning with a control character into one of the following:
  - A twinaxial display function key request
  - A local display function (screen refresh, toggle display indicators, or terminal disconnect)
  - A request to set the state (shift-in and shift-out support) for processing subsequent data from the device
- EBCDIC-to-ASCII mapping table  
This table converts an EBCDIC character value in the range '40'X to 'FE'X into a single ASCII character code value. This table is also used to map twinaxial display control characters in the range '00'X to '1F'X into ASCII character codes or ASCII control codes.
- Update screen table  
This table is used by the workstation controller to perform the following types of operations with the ASCII display:
  - Set the type of highlighting that is used at a given screen location
  - Set the screen position at which data should be written
  - Clear the screen
  - Sound the audible alarm at the display
  - Initialize the display parameters

The choices you make for character and control sequence mapping are based on the:

- Reference information for the ASCII display
- Supported device you select when you retrieve the tables
- Characteristics of the display
- National language code page and character set you are using

For more complete information on customizing ASCII displays and keyboards, see Chapter 8. Customizing ASCII Displays.

---

## Chapter 7. Customizing Twinaxial Displays

This chapter provides detailed technical information to help you customize twinaxial display keyboards. Background information about the workstation controller, keyboard mapping tables, scan codes, and languages is provided, followed by the descriptions of the tags you use to customize twinaxial displays.

For a twinaxial display, the OS/400 workstation customizing functions provide you with a way to create a customized version of the keyboard translation table. The translation table is used by the workstation controller to convert scan codes from the twinaxial display keyboard to EBCDIC codes or function codes that the AS/400 system can interpret. To customize this table, you retrieve a workstation customizing object source (a source file member) that contains the entries for a translation table corresponding to the device type, keyboard type, and language specified in the device description for the display. The source and its structure allow you to create an object that is compatible with the system translation tables normally used by the workstation controller.

**Note:** The OS/400 licensed program does not support the customizing of double-byte character set (DBCS) keyboards.

---

### Types of Displays and Keyboards

The AS/400 system and the twinaxial workstation controller use the following pieces of information to determine the translation table to be used for a particular twinaxial display:

- The type of display attached
- The type of keyboard attached to the display
- The keyboard language type

There are five basic types of keyboards you can attach to displays on the twinaxial workstation controller. The different keyboard layouts are distinguished from each other by the physical layout of the keys. For example, the number of keys, the relative position of different groups of keys, and the way in which certain types of numeric and graphic characters are laid out on the keyboard are different for different national languages. Keyboard layout is usually either a typewriter or a data entry style. For illustrations of the different keyboard layouts, see Appendix A. Twinaxial Keyboard Layouts.

Table 2 shows the different types of twinaxial displays that may be attached to a twinaxial workstation controller. For each display type, the table shows the types of keyboards that can be attached and the parameter value you would use for the Keyboard attached parameter on the Retrieve Work Station Customizing Object Source (RTVWSCST) command to retrieve the object source for a twinaxial display with that type of keyboard.

**Note:** There are no twinaxial displays to which all the different types of keyboards can be attached.

*Table 2. IBM Twinaxial Displays and Supported Keyboards*

Display	Supported Keyboards	Parameter Values
5251	5250 Typewriter 5250 Data Entry	*TYPE5250 *DATA5250

Table 2. IBM Twinaxial Displays and Supported Keyboards (continued)

Display	Supported Keyboards	Parameter Values
5291	5250 Typewriter 5250 Data Entry	*TYPE5250 *DATA5250
5292	5250 Typewriter 5250 Data Entry	*TYPE5250 *DATA5250
3180	122-key Typewriter 122-key Data Entry	*TYPE122 *DATA122
3179	122-key Typewriter	*TYPE5250 <sup>1</sup>
3196	122-key Typewriter Enhanced Typewriter	*TYPE122 *ENHANCED
3197	122-key Typewriter Enhanced Typewriter	*TYPE122 *ENHANCED
3476	122-key Typewriter Enhanced Typewriter	*TYPE122 *ENHANCED
3477	122-key Typewriter Enhanced Typewriter	*TYPE122 *ENHANCED
3486	122-key Typewriter Enhanced Typewriter	*TYPE122 *ENHANCED
3487	122-key Typewriter Enhanced Typewriter	*TYPE122 *ENHANCED
3488 <sup>2</sup>	122-key Typewriter *Enhanced Typewriter	*TYPE122 *ENHANCED

**Notes:**

**1** The 3179-2 and the 5292-1 both report the same vital product data to the workstation controller when they report in. The workstation controller cannot distinguish between the two. The 3179-2 displays are configured as 5292-1. The 5292-1 only supports the TYPE5250 keyboard (F typewriter layout). Consequently, because the workstation controller thinks the 3179 is a 5292 that only supports the TYPE5250, varying on a 3179 with a TYPE122 keyboard specified in the customizing object causes the workstation controller to detect a mismatch between the keyboard type specified in the customizing object and the actual keyboard attached to the display.

**2** The 3488 display station must be specified as a 3487 display station when using the RTVWSCST command. The workstation customizing functions support a 3488 display station as a 3487 display station.

The table of twinaxial displays does not include double-byte character set devices. It also does not include any devices that can be attached, but for which the workstation controller does no keystroke processing, such as personal computers running Client Access/400. Keystroke processing for these devices is done in the device itself; therefore, no translation table is downloaded to the workstation controller for these devices.

---

## Customizing Unsupported Twinaxial Displays

When you want to customize an unsupported twinaxial display for use with the AS/400 system, you still need to retrieve a source file member based on a supported IBM device type, keyboard type, and keyboard language type. To do this effectively, you need to find out which supported IBM twinaxial display your unsupported display emulates. You can try using the automatic configuration functions provided by the AS/400 system to help you determine the most similar IBM-supported device type and model. You can also try reading the reference book, talking to the manufacturer of the device, or talking to your technical support specialist.

To determine the type of keyboard that most closely matches your keyboard, compare your keyboard to the keyboard illustrations in Appendix A. Twinaxial Keyboard Layouts.

To determine the keyboard language type for your display, check the device description for the display (if it exists), or check with your system administrator to verify that the language type used by the system is the language you want to configure for the device. The language type used by the system is defined in the QCHRID system value.

**Note:** The keyboard language type you specify when you retrieve the workstation customizing source for a display must exactly match the keyboard language type you specify in the device description for the display. If these values do not match, the device will not vary on when you specify the workstation customizing object in the device description.

## Working with Keyboard Translation Tables and the Workstation Controller

The twinaxial workstation controller processes all keystrokes entered at an attached display. The workstation controller then determines the function to perform for a given key using the keyboard translation table. This table allows the workstation controller to convert the scan codes generated by display keyboards into either character codes or internal function codes, which are then used to determine the function to be performed.

The workstation controller supports a wide variety of display types, keyboard styles, and languages. Using different translation tables, the controller can support all the different combinations of displays, keyboards, and languages. There are separate translation tables to support each unique combination of display type, keyboard style, and language.

Because of the wide variety of displays, keyboard styles, and languages supported by the workstation controller, a large number of translation tables exist on the AS/400 system. However, only a small number of these tables are stored in the workstation controller when it is first varied on.

The OS/400 licensed program determines the particular translation table required to support the unique requirements of a given display. When the display device and the workstation controller are first varied on, the correct translation tables are downloaded to the controller.

---

## Keyboard Scan Codes

When you press a key on a twinaxial keyboard, the display passes a code back to the workstation controller that uniquely identifies the key that you pressed. This code is called a keyboard scan code.

Every key on the keyboard has a particular scan code value assigned to it. The assignment of a scan code is not directly related to the label on the key top. A key at a certain position on a particular keyboard layout always has the same scan code value assigned to it. For example, a key at a given location on a 5250-style keyboard always returns the same scan code, although the key may be labeled differently for different national languages.

Keyboard scan codes are passed to the controller in a 1-byte code. The 7 least significant bits within this byte contain the actual scan code. Some keys, called make/break keys, use the most significant bit of this byte to indicate whether the scan code corresponds to a make of the key or a break of the key. When a make/break key is pressed, a scan code is generated when the key is first pressed (**make**) and another scan code is generated when the key is released (**break**).

The shift keys (left and right), Alt key, Shift Lock key, and Caps Lock key on a keyboard are usually all make/break keys. In general, it is not recommended that you change these keys using the workstation customizing functions.

Figure 5 shows the format for a scan code byte passed to the workstation controller from a display.

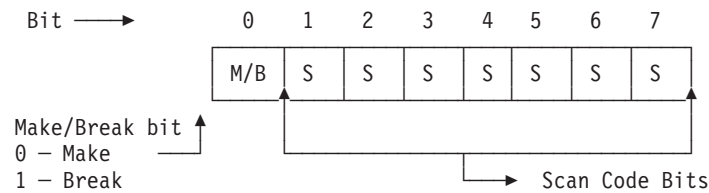


Figure 5. Scan Code Byte Format

Scan code values are assigned in the range '01'X to '7F'X. Not all values in this range are assigned to keys on the keyboard. The set of valid scan codes depends on the style of keyboard. For example, the set of scan codes generated by a 5250-style keyboard is different from the set of scan codes generated by an Enhanced keyboard.

Figure 6 and Figure 7 shows the scan code values assigned to each of the different key positions for the 5250 and Enhanced keyboard layouts, respectively. The scan codes for corresponding keys on the 5250 typewriter and 5250 data entry keyboards are the same.

**Note:** Some of the existing 5250-style translation tables are set up to handle scan codes that cannot be generated by an actual 5250-style keyboard. Attached devices using 5250 emulation use these scan codes to support additional capabilities that are not available with the 5250-style keyboard.

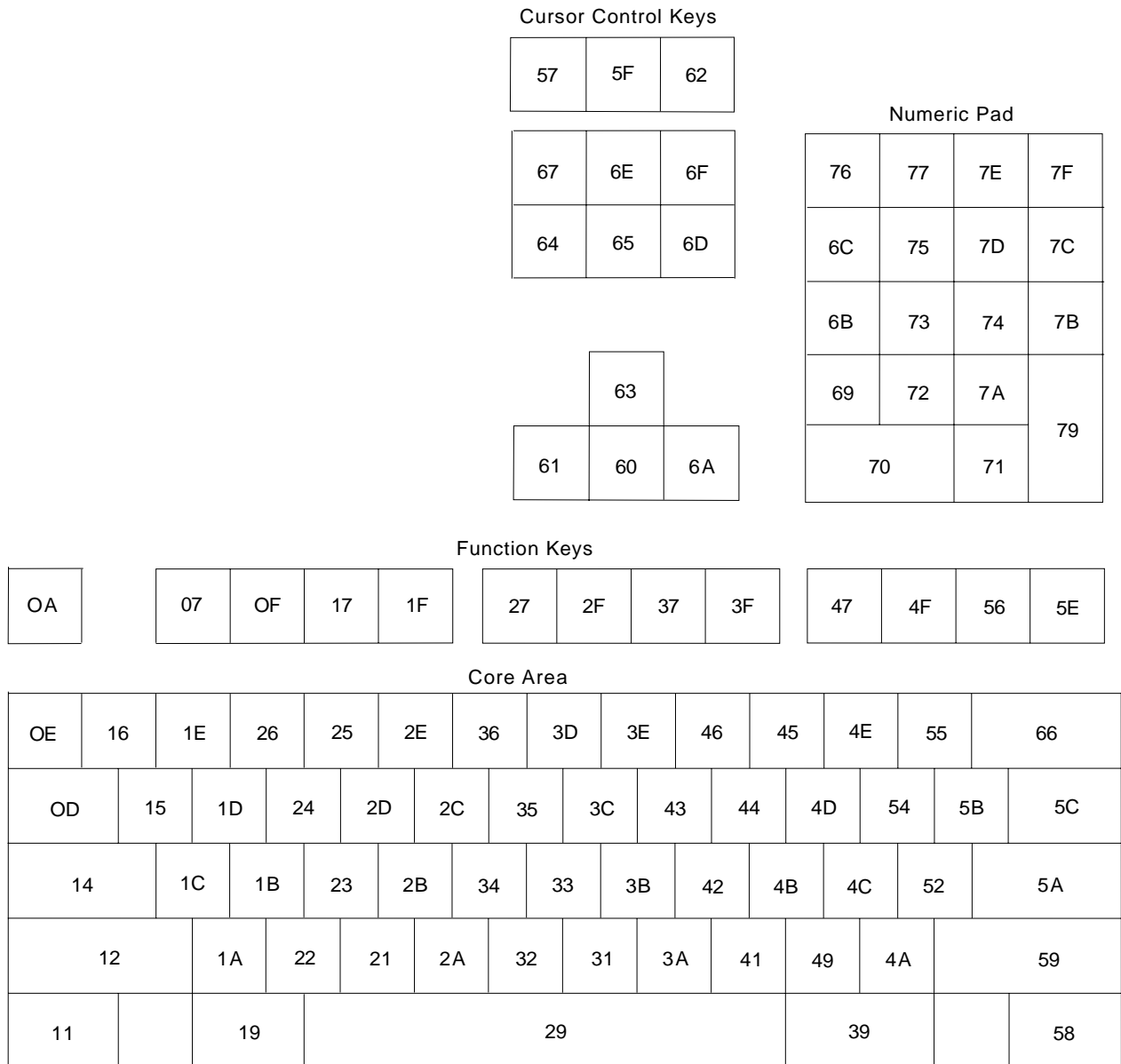
Function Control Keys		Numeric Pad			
7C	6F	4B			4C
6C	6D	47	48	49	4E
6E	7D	44	45	46	4D
71	70	41	42	43	
72	73	40		4A	

Core Area													
3E	31	32	33	34	35	36	37	38	39	3A	3B	3C	3D
20	21	22	23	24	25	26	27	28	29	2A	2B	2C	2D
54	11	12	13	14	15	16	17	18	19	1A	1B	1C	
57	OE	01	02	03	04	05	06	07	08	09	0A	OC	56
7E	OF										68		

RV2H453-0

Figure 6. 5250-Style Keyboard Scan Codes



RV2H471-0

Figure 7. Enhanced Keyboard Scan Codes

The 122-key keyboard is shown in Figure 8 on page 45. Displays with this layout that attach to the twinaxial workstation controller always operate in what can be referred to as a 5250-style emulation mode. When a key on a 122-key keyboard is pressed, the scan codes assigned to each individual key are not passed directly back to the workstation controller. Instead, the display passes back a scan code or a sequence of scan codes corresponding to the scan code required for that same function on a 5250-style keyboard. For example, pressing the key for PF1 on a 122-key keyboard actually results in the generation of 5250 keyboard scan codes for the Cmd key and the key in the core area of the keyboard normally labeled with the number 1.

**Note:** For certain national languages, the 122-key displays are capable of also passing back additional scan codes that cannot be generated on an 5250 keyboard.



In handling a particular function on the 122-key keyboard, the 5250 keyboard emulation process also takes care of generating any 5250 scan codes for shift key sequences that are required to emulate the entry of that same function on a 5250 keyboard. For example, pressing the F13 key on a 122-key keyboard generates the 5250 keyboard scan codes for keys containing the Cmd key, the shift (make) key, the top-row key labeled with the number 1, and finally, another shift (break) key.

Function Control Keys		Cursor Control Keys			Numeric Pad			
7C c	75 (65)	66 c	(80) c	62 c	1D c	1E c	4F c	50 c
66 c	67 c	(76) c	6C u c	6C 1 c	47 c	48 c	49 c	(106) c
6E c	7D c3E 1		71 c		44 c	45 c	46 c	55 c
78 c	— c3D 1	72 c	60 6D	73 c	41 c	42 c	41 c	4D c
— c7B	— c6B		70 c		40 c		4A c	

Command Key Area											
c31 u c51	c32 u c51	c33 u c51	c34 u c51	c35 u c51	c36 u c51	c37 u c51	c38 u c51	c39 u c51	c3A u c51	c3B u c51	c3C u c51
c31 1 c51	c32 1 c51	c33 1 c51	c34 1 c51	c35 1 c51	c36 1 c51	c37 1 c51	c38 1 c51	c39 1 c51	c3A 1 c51	c3B 1 c51	c3C 1 c51

Core Area														
(01) c51	31 c51	32 c51	33 c51	34 c51	35 c51	36 c51	37 c51	38 c51	39 c51	3A c51	3B c51	(13) c51	(14) c51	(15) c51
(16) c	21 c	22 c	23 c	24 c	25 c	26 c	27 c	28 c	29 c	2A c	2B c	(28) c	(29) c	
(30)	11 c	12 c	13 c	14 c	15 c	16 c	17 c	18 c	19 c	1A c	1B c	(42) c	(43) c	
(44)	OE c	01 c	02 c	03 c	04 c	05 c	06 c	07 c	08 c	09 c	0A c	0C c	(57)	
7E														68 c

RV2H483-0

Figure 8. 122-Key Keyboard Scan Codes

In Figure 8, the top line shown for each key shows the emulation scan code generated for that key. The scan codes are for the key when:

- It is pressed simultaneously with the shift key (the upper-shift state)
- It is pressed by itself (the lower-shift state)

The bottom line shown for each key shows the emulation scan code generated for that key when it is pressed simultaneously with the ALT key.

The following additional symbols are used in Figure 8 on page 45:

- c** Emulation generates scan code for 5251 CMD key (X'6F'), followed by the scan code shown on the top line.
- cXX** Emulation generates scan code for 5251 CMD key (X'6F'), followed by the scan code (XX) specified.
- u** Emulation forces upper shift state when generating this scan code sequence
- l** Emulation forces lower shift state when generating this scan code sequence
- ( )** Parentheses around a scan code, for example (28), indicate that the emulation scan code generated for that key is dependent on the keyboard type. The following keyboards have emulation scan codes that are dependent on the keyboard type:
  - 1A data processing keyboard
  - 1A data entry keyboard
  - 1A Katakana data processing keyboard
  - 1A Katakana data entry keyboard

Table 3 shows the emulation scan codes generated for keys that are dependent on the keyboard layout.

*Table 3. 1A Keyboard Type Dependent Emulation Scan Codes*

Key Number	1A Data		1A Katakana	
	Data Processing	1A Data Entry	Data Processing	1A Katakana Data Entry
(01)	3E	3E	30	3E
(13)	3C	3D	3C	30
(15)	3D	3F	3D	3F
(16)	20	5E	20	5E
(28)	2C	2E	2C	2D
(30)	54	10	57	57
(42)	1C	1C	1C	1F
(43)	2D	2D	56	56
(44)	57	57	53	53
(57)	56	56	52	52
(65)	6F3D	6F3D	6F61	6F3D
(76)	0C	63	63	63
(80)	4C	65	4C	65
(106)	4E	2C	4E	2C

There are slight differences in other national language versions of keyboards from the U.S. English versions; for example, some keys in the core area can be arranged differently. These other versions are not shown; however, a more complete listing of the supported keyboards is available in the *National Language Support* book.

---

## National Language Requirements

Each country and national language type supported by the OS/400 licensed program establishes standards to which data processing equipment used in that country must conform. For each national language, the two main standards affecting the local twinaxial workstation controller are the following:

- EBCDIC code page standards
- Keyboard layout for displays

### EBCDIC Code Page Standards

The EBCDIC code page standard for a given national language provides the set of graphic characters that an attached device should be able to display. It also identifies the EBCDIC code point value that should be used to represent each graphic character. For example, the EBCDIC code value of 'F1'X is used to identify the graphic character for the number 1. Different countries or national language groups have their own code page standards to which equipment manufacturers are expected to conform.

For most of the Latin-based languages supported by the OS/400 licensed program, such as those used in US/Canada, Latin America, and most of Western Europe, a common set of characters, known as character set 697, makes up the different code pages. The set of characters in the code pages is the same from one code page to the next; however, the code point values assigned to given characters may be different from one code page to the next.

One of the code pages that contains all the characters in character set 697 is the Multinational EBCDIC code page, or code page 500. This code page does not conform to the code page standard of any particular national language. It does, however, contain all the same characters as those code pages used by the Latin-based languages. Displays that support the Multinational EBCDIC code page also usually support one or more national language code pages containing the characters in code page 697. For more information about code pages and EBCDIC code point values, see the *International Application Development* book.

AS/400 systems required to handle data originating from a number of different countries are often set up to use this Multinational EBCDIC code page. You can set up most displays and printers that are manufactured for a particular national language to run using either the specific EBCDIC code page defined for that national language or the Multinational EBCDIC code page.

The workstation controller uses the translation tables to convert the keyboard scan codes into EBCDIC character codes. This conversion is done taking into account the layout of characters on the keyboard for that country and the EBCDIC code page to which a scan code is being mapped. The conversion is done differently depending on whether the conversion is being done for a specific national language EBCDIC code page or the Multinational EBCDIC code page. This means that for the keyboards of many countries, there are separate translation tables so that many countries using national language support can handle the conversion into either a specific national language EBCDIC code page or the Multinational EBCDIC code page.

## Keyboard Layout Standards

Every country has standards for the layouts of keyboards that are manufactured for use in that country. These standards define the country's national language requirements for the layout of keys on a keyboard containing alphanumeric data. The standards apply to what is generally called the core area on a keyboard.

**Note:** Some countries use more than one national language.

Over time, a country may change its standards. Not only the keyboard standard may change, but the EBCDIC code page standard may change as well. New displays and printers are expected to conform to the new standards, but existing hardware devices are usually not changed to meet the new standards. The workstation controller supports the existing displays that conform to older standards, as well as the new displays that conform to the latest standards. For example, many displays with the 5250 keyboard layout that are supported by the workstation controller conform to older standards.

---

## Customizing Restrictions for Twinaxial Display Keyboards

When considering the customizing of a twinaxial display, keep in mind the following restrictions of the OS/400 workstation customizing functions. Read these restrictions carefully before you continue to customize a twinaxial display.

- The workstation customizing functions require that you provide hexadecimal data corresponding to the characters and functions supported by your twinaxial display. You must have the reference books for the display to obtain this information.
- You cannot customize the mapping of characters sent to the display from AS/400 application programs. Only the characters and functions that are entered from the keyboard can be customized.
- In most cases, the workstation hardware supports only a subset of the code pages that the AS/400 system can support. Be sure that you select and set the correct code page for the hardware and then select a compatible keyboard language type in the device description for the workstation.
- Twinaxial keyboards usually support different states by combining keystrokes. For example, pressing the Alt key or Shift key in combination with other keys may display a special character or call a display function. However, there is a restriction on the 122-key keyboard. The Alt key on 122-key keyboards is not supported as a separate shift state in the 122-key keyboard translation tables. To find out which states your keyboard supports look at the following sections:
  - See Appendix A. Twinaxial Keyboard Layouts to determine the keyboard type for the workstation you want to customize.
  - See Table 23 on page 66 and the corresponding mode and shift table to determine which states are supported for your keyboard.
- Keys used for text processing, such as those used with the OfficeVision/400 licensed program, cannot be directly customized. These keys may be affected when you customize other keyboard functions. See "Keyboard Functions Not Specified in Translation Tables" on page 61 for information on how customizing other keyboard functions can affect the text processing keyboard functions.
- It is not recommended that you customize keys such as Alt, Caps Lock, Shift, and Shift Lock as this can produce unpredictable results.

- The twinaxial translation tables contain entries that indicate which characters on the keyboard are subject to monocasing. However, you cannot customize the keyboard so that characters not currently subject to monocasing are now converted to uppercase. Entries in the keyboard translation table for a twinaxial display that are subject to monocasing have a first byte equal to '0A'X. The workstation controller uses separate internal tables that allow it to determine the EBCDIC character to be displayed when monocasing is used to convert a given character. The internal monocase tables cannot be customized.

If the internal monocase table does not indicate that an EBCDIC character has an uppercase character associated with it, monocasing is not done even if you change the translation table entry to designate the character as subject to monocasing support.

On the other hand, if the translation table entry for a character currently identified as subject to monocasing is changed so that monocasing is no longer supported (first byte value is changed from '0A'X), monocasing is no longer done for that character.

- The display must support the code page associated with the character identifier (CHRID) assigned to the display in the device description, and the CHRID must match the coded character set identifier (CCSID) of the job you are running on that display.
- When you choose the keyboard language type for the display, you must select one that uses the same code page mapping supported by your display. Many twinaxial displays provide a test request function, which you can use to show the characters that the display is capable of supporting. Use this function when available to verify that the graphics character mapping is correct. You cannot customize this mapping because this character set is built into the device. All you can do is specify a compatible choice for the language type in the device description, and specify the same language type for the customizing object (these should match).
- Specifying keyboard translation table mappings for keyboard functions that are not otherwise present in the translation table for a given type of keyboard may produce unexpected results. The following is a list of items that could result:
  - Incorrect data displayed,
  - Keyboard locked in a shift state,
  - Failure of the controller.

In general, specifying functions that are not supported for a particular type of keyboard should be avoided. For example, the translation table entry for a proof space character is only present in the translation tables for data entry keyboards, and should not be specified for other keyboard types.

There are also certain scan codes that you should not customize. The translation table entries for these scan codes should not be changed in the source you retrieve.

Changing these particular translation table entries could cause your keyboards to be unusable. For example, if certain shift key functions were converted to scan codes for keys that are not make/break keys, a user might not be able to get out of a certain shift state. For another example, when the scan code assigned to the Cmd key function in a 122-key keyboard translation table is changed, many of the Cmd key functions on a display with that keyboard become inaccessible because there is no single key on the 122-key keyboard that generates this particular scan code. The scan code for the Cmd key is part of a scan code sequence generated because the 122-key keyboard operates in a 5250 keyboard emulation mode.

The scan codes for translation table entries that should not be changed are shown in the following tables, Table 4 through Table 8. The translation table entries for these scan codes in any customized translation table should match the corresponding entries within the existing system table, regardless of the shift state to which a given translation table entry applies. Some of the scan codes shown may apply only to the keyboards for certain national languages. However, the entries associated with these scan codes should not be changed from the way they appear in the original system table that you retrieve in your workstation customizing source.

**Note:** The Caps Lock/Shift Lock key on an Enhanced keyboard is an exception to the restrictions shown in the following tables. See the note following “Enhanced Keyboard Translation Table Restrictions” on page 51 for more information about this exception.

## 122-Key Typewriter Keyboard Translation Table Restrictions

Table 4. 122-Key Typewriter Keyboard Scan Codes Restricted from Remapping

Scan Code Value	Assigned Function
'52'X	Language Layer shift (4-shift keyboards) or Katakana shift on Katakana keyboards
'53'X	Latin Layer shift (4-shift keyboards) or Alphanumeric shift on Katakana keyboards
'54'X	Shift Lock
'56'X	Left Shift, or Katakana Symbols shift on Katakana keyboards
'57'X	Right Shift
'6F'X	Scan code for Cmd key in emulation sequence

## 122-Key Data Entry Keyboard Translation Table Restrictions

Table 5. 122-Key Data Entry Keyboard Scan Codes Restricted from Remapping

Scan Code Value	Assigned Function
'0F'X	Space/Proof Space Character Mapping
'52'X	Katakana shift (Katakana 122-key data entry keyboards only)
'53'X	Katakana Symbol shift (Katakana 122-key data entry keyboards only)
'56'X	Alphanumeric shift
'57'X	Left Shift
'6F'X	Scan code for Cmd key in emulation sequence

## 5250 Typewriter Keyboard Translation Table Restrictions

Table 6. 5250 Typewriter Keyboard Scan Codes Restricted from Remapping

Scan Code Value	Assigned Function
'52'X	Language Layer shift (4-shift keyboards) or Katakana shift on Katakana keyboards

Table 6. 5250 Typewriter Keyboard Scan Codes Restricted from Remapping (continued)

Scan Code Value	Assigned Function
'53'X	Latin Layer shift (4-shift keyboards) or Alphanumeric shift on Katakana keyboards
'54'X	Shift Lock
'56'X	Left Shift, or Katakana Symbols shift on Katakana keyboards
'57'X	Right Shift

## 5250 Data Entry Keyboard Translation Table Restrictions

Table 7. 5250 Data Entry Keyboard Scan Codes Restricted from Remapping

Scan Code Value	Assigned Function
'0F'X	Space/Proof Space Character Mapping
'52'X	Katakana shift (Katakana 5250 data entry keyboards only)
'53'X	Katakana Symbol shift (Katakana 5250 data entry keyboards only)
'56'X	Alphanumeric shift
'57'X	Left Shift

## Enhanced Keyboard Translation Table Restrictions

Table 8. Enhanced Keyboard Scan Codes Restricted from Remapping

Scan Code Value	Assigned Function
'12'X	Left Shift or Latin shift (when Alt shift is also active for 4-shift keyboards)
'14'X	Caps Lock or Shift Lock (depending on country and state of Alt shift). See note.
'19'X	Left Alt shift
'39'X	Right Alt shift or Layer Select (on Katakana keyboards)
'59'X	Right Shift or Language shift (when Alt shift also active for 4-shift keyboards)

**Note:** For the Enhanced keyboard, the entries in a customized translation table for the scan code value of '14'X may be different from the entries in the base table, but the entries should still specify either the Caps Lock or the Shift Lock function.

## Determining Which Twinaxial Keyboard Translation Table to Customize

This section provides a description of the content and format of the workstation customizing source that contains the twinaxial keyboard translation tables used by the workstation controller.

The twinaxial workstation controller uses the keyboard translation tables to map scan codes received from an attached display in one of the following ways:

- Map the scan code for a key into the EBCDIC code for the character that is labeled on the top of the key.



After the workstation controller has converted this EBCDIC code from the scan code, it transmits the EBCDIC code back to the display so that the proper graphic character appears.

- Map the scan code to an internal workstation controller code that the controller recognizes as a request to perform some local edit or cursor movement function. For example, a particular scan code can be converted into a code that is a request to move the cursor in a particular direction. When the controller receives such a request, it directs the display to move the cursor in the direction indicated.
- Map the scan code into an internal workstation controller code that the controller recognizes as a request to either send data to a system application or signal the application that a particular system function is being requested.

For example, you may have pressed the Enter key, the Help key, or any of the other function keys while working with an application.

The translation tables contain information indicating which keys are blank (no graphic character or function assigned) and which scan codes are not valid (cannot be generated by certain keyboard types). The translation table that the workstation controller uses for a given display must be specific to the particular requirements of that display. The following list shows the factors that determine which translation table is to be used:

- Device type
- Keyboard type (5250, 122-key, or Enhanced)
- Keyboard language type

When you use the Retrieve Work Station Customizing Object Source (RTVWSCST) command to retrieve the source for customizing a twinaxial keyboard, you specify parameters relating to these factors that determine which translation table is copied in your source. It is very important that you specify the correct keyboard type and language parameters so that the correct translation table is retrieved.

**Note:** The device type and keyboard language type you specify for the RTVWSCST command must match the corresponding parameter values in the device description for the display; otherwise, the device will not vary on when the workstation customizing object is specified in the device description. For an example showing the use of the RTVWSCST command, see “Customizing a 3477 Twinaxial Display for Diacritic Character Support” on page 68.

## Twinaxial Display Source Format

When you retrieve the source for a twinaxial display, the translation table for the display type, keyboard type, and language type you specify is pulled into a source file member and formatted using the workstation customizing tag language. The content and format of the source depends on the shift capabilities of the display and keyboard for which the workstation controller is using that translation table.

The workstation customizing source is divided into a number of different shift regions. Each region is denoted by a TKSTATE (keyboard translation state table) tag and its parameters. A shift region defines the characters on the keyboard when a shift key (or Alt key) is pressed in conjunction with a character or function key. The number of shift regions within a workstation customizing source file member depends on the type of display and keyboard, and the language type specified for the display. Each shift region contains information for converting scan code values from '00'X to '7F'X into EBCDIC or functional code values.



When the workstation controller receives a scan code from a display, the controller first determines the correct shift region of the translation table based on the current shift state of the display. The scan code value is then used to determine the offset within the proper shift region in order to access a particular translation table entry.

There are five basic translation table layouts (according to shift regions):

1. 5250 and 122-key layout for 2-shift national languages (2 shift regions)
2. 5250 and 122-key layout for 4-shift national languages (4 shift regions)
3. Enhanced keyboard layout for 2-shift national languages without special character support (3-shift regions)
4. Enhanced keyboard layout for 4-shift national languages (5 shift regions)
5. Enhanced keyboard layout for 2-shift national languages with special character support (6 shift regions)

Each of the shift regions has a corresponding region in the workstation customizing source that begins at '00'X following a TKSTATE tag.

For most national languages, a 5250 keyboard type has only an upper-shift capability. National languages whose keyboards contain this type of shift capability are called 2-shift national languages (unshifted and upper shift).

Some national languages also support a language and Latin shift key or keys on their keyboard, in addition to keys for the upper shift state. National languages that use the language and Latin shift key or keys are called 4-shift national languages. The data keys on this type of keyboard can be viewed functionally as being split into a language layer and a Latin layer. The language layer of the data keys usually contains characters unique to a particular language, while the Latin layer contains those characters common to most Latin-based languages. Each layer of a key is a character defined for the unshifted position and another character defined for the upper shift position. Therefore, a key may have 4 characters on the key top, one corresponding to each possible combination of the upper/lower shift and language/Latin shift.

Although 122-key keyboards contain an Alt shift key, there is no shift region reserved within the translation table for this keyboard for the Alt shift state. This is because all twinaxial displays using 122-key keyboards function in a 5250 keyboard emulation mode, and the 5250 keyboard does not have a defined Alt key.

Enhanced keyboards also have Alt keys in their layout. When you press the Alt key on this type of keyboard, it is recognized by the workstation controller as a unique shift state. Therefore, the translation tables used for an Enhanced keyboard also include shift regions to handle the Alt shift state. For some national languages, the Enhanced keyboard also contains language and Latin shift keys. The translation tables for these types of keyboards have regions to handle the different combinations of language/Latin and upper/lower shift.

For national languages whose EBCDIC code page consists of characters in character set 697, such as United States English, Canadian, Latin American, and many European national languages, the workstation controller also provides support for an Enhanced keyboard function known as special character support. The special character support provides Enhanced keyboard users with yet another shift state.

When you press an Alt key in combination with an upper shift key on one of these Enhanced keyboards, the workstation controller puts the display into special character mode. In this mode, scan codes from the display are translated according

to a keyboard layout defined as keyboard ID 100. This mode allows you to enter many special characters that you cannot enter directly from the keyboard because these characters are not included on the standard keyboard layout for a given national language. The Enhanced keyboard translation tables for the national languages that support special characters include separate shift regions to handle scan code translations in this mode.

**Note:** Special character support is not provided for Enhanced keyboards containing a language/Latin shift capability.

“Source Code for 3477 Twinaxial Display” on page 311 shows an example of the source for a 3477 Model H twinaxial display with a 122-key keyboard and a keyboard language type of USI. Each shift region in the source contains the individual entries corresponding to each possible scan code value from '00'X to '7F'X in each of the possible shift states.

## Changing the Entries in Your Workstation Customizing Source

Each entry in a shift region of a workstation customizing source file member consists of two bytes. The first byte in an entry contains information about the functional category to which this conversion belongs. If the conversion involves a scan code conversion to a graphic character, the second byte of the table entry contains the EBCDIC code for the character into which the scan code is mapped. If the scan code conversion does not involve a conversion to a graphic character, the second byte contains a code that identifies a specific keyboard function to be performed.

### Entry Format for EBCDIC Character Conversions

When a scan code is to be converted into a graphic EBCDIC character, the first byte of the entry in the source for that scan code must have a value in the range '09'X to '10'X. This value indicates to the workstation controller the type of character it is. It also provides an indication of the types of input fields in which each character can be used. Table 9 shows the valid first byte values for translation table entries that handle mapping to an EBCDIC character, the types of character each value signifies, and the valid input field types associated with each. For more information about the input field types, see the reference books for your workstation controllers.

*Table 9. Format for Translation Table Entries That Map to EBCDIC Characters*

First Byte Value	EBCDIC Character Type	Valid Field Types
'09'X	Uppercase alphabetic characters	Alphanumeric Shift Alphabetic Numeric Shift
'0A'X	Lowercase alphabetic characters (monocasing supported)	Alphanumeric Shift Alphabetic Numeric Shift
'0B'X	Nonalphanumeric characters	Alphanumeric Shift Numeric Shift
'0D'X	Numeric digit (0–9 in core area of keyboard)	Alphanumeric Shift Numeric Shift Numeric Only Digits Only Signed Numeric

Table 9. Format for Translation Table Entries That Map to EBCDIC Characters (continued)

First Byte Value	EBCDIC Character Type	Valid Field Types
'0E'X	Numeric digit (0–9 in key pad area)	Alphanumeric Shift Numeric Shift Numeric Only Digits Only Signed Numeric
'0F'X	Plus character	Alphanumeric Shift Numeric Shift Numeric Only
'10'X	Comma, period, minus, or space characters	Alphanumeric Shift Alphabetic Only Numeric Shift Numeric Only

**Note:** Monocasing is not supported for any entry that has a first byte value other than '0A'X.

The second byte of the translation table entries for EBCDIC character translations must contain a valid EBCDIC character code. The valid range of values for this second byte is from '40'X to 'FE'X.

The uppercase and lowercase alphabetic character types are used for scan codes that are mapped to the alphabetic characters A-Z and a-z, as well as to any other characters that are on the keyboard or included in the alphabet for a given national language. When you enter a character from the keyboard and that character is identified as supporting monocasing, the character is converted to its uppercase character value if the Caps Lock key is active or if the character is entered into a monospace input field.

The process of converting the lowercase version of a character into its uppercase version is called monocasing. The workstation controller performs this conversion when an input field is designated as a monospace input field or when the Caps Lock key is active. The OS/400 operating system has monocasing tables that it uses for the conversion of system data. The workstation controller has its own separate tables for doing this monospace conversion; it does not access or use the system monocasing tables. When you change the source for a twinaxial keyboard translation table, identifying a character as an alphabetic character type that supports monocasing does not result in that character supporting monocasing unless that character is in the workstation controller's internal monospace table. Also, changing a character that is currently identified as an alphabetic character type that supports monocasing to a different character type means that monocasing is no longer done for that character.

The numeric digit character type for the numeric key pad area of the keyboard is used for scan codes corresponding to keys in the numeric key pad that are mapped into a numeric digit character (0-9). The numeric digit character type for the core area of the keyboard is used for scan codes corresponding to keys containing numeric characters anywhere within the core area (either the top row keys of typewriter keyboards or the keys used for numeric characters on a data entry keyboard).

The plus (+) character type is used solely to designate the plus character on a keyboard. There is also a class of characters consisting of the comma, period,

minus, and space characters. Translation table entries for characters that do not fall into any of the previously mentioned categories have a first byte value of '0B'X indicating the nonalphanumeric character type.

The workstation controller uses the different character types to determine the validity of data types in different input fields. When customizing a keyboard for a twinaxial display, you should not change the character type value associated with a given EBCDIC character code. Doing so can result in data being allowed in certain types of input fields that an application may not expect or accept. For some applications, this causes unpredictable results.

### Entry Format for Diacritic Characters

The keyboards for most national languages have at least one diacritic character. A **diacritic** is an accent near or through a letter or combination of letters indicating a phonetic value different from that given the unmarked or otherwise marked letters.

The workstation customizing source entries for scan codes corresponding to keys that contain a diacritic have the following general format:

*Table 10. General Format for Translation Table Entries for Diacritics*

Byte Number	Bit Numbers	Values
1	0-7	'25'X Alphabetic diacritic '26'X Nonalphabetic diacritic
2	0-7	Assigned diacritic value

The first byte of a source entry for a diacritic indicates that the entry is for a diacritic. If the value for an alphabetic diacritic is specified, then that diacritic is treated the same way as an alphabetic character. If a non-alphabetic diacritic is specified, that diacritic is treated the same way as a non-alphabetic character.

The value for the second byte of a source entry for a diacritic indicates the specific diacritic character associated with the entry. The value assigned to a particular diacritic character depends on the language of the translation table (see Table 11 on page 57). The following example shows a source entry for a nonalphabetic diacritic character from the source for the upper shift region of a 3477 Model H twinaxial display with a 122-key keyboard.

Data	Corresponding Scan Code	Mode	Shift Region
2603	/*3E*/	/*MODE=NONE	SHIFT=UPPER*/

The set of diacritic characters that the workstation controller supports depends on the language associated with the translation table. The following list shows the sets of diacritics that are supported by the workstation controller for different groups of languages. For each set, the values for the second bytes in the translation table associated with each diacritic are also shown.

Table 11. Sets of Supported Diacritics by Language Group

Language Group	Keyboard Language Type	Hexadecimal Value–Diacritic Character
Character Set 697	AGB AGI BLI BRB CAB CAI DMB DMI FAB FAI FNB FNI FQB FQI ICB ICI INB INI ITB ITI JEB JEI NEB NEI NWB NWI PRB PRI SFI SSI SWB SWI UKB UKI USB USI	01–circumflex 02–grave 03–tilde 04–cedilla 05–diaeresis 06–acute 07–overcircle
Languages of the former Yugoslavia	YGI	01–circumflex 02–grave 03–cedilla 04–diaeresis 05–acute 06–caron 07–breve 08–overcircle 09–ogonek 0A–double acute 0B–overdot
Roece	ROB	01–circumflex 02–cedilla 03–diaeresis 04–acute 05–caron 06–breve 07–overcircle 08–ogonek 09–double acute 0A–overdot
Turkey	TKB	01–circumflex 02–grave 03–tilde
Greece (Old, CP 423)	GKB	01–circumflex 02–grave 03–cedilla 04–diaeresis 05–acute
Greece (New, CP 875)	GNB	01–double strike 02–diaeresis 03–acute

The keyboard language type associated with a customized table is the same as the keyboard language type of the workstation customizing source from which the customized table is created. Because diacritic processing done by the workstation controller depends on the keyboard language type of a translation table, it is important that the keyboard language type you select when retrieving a set of translation tables be the same as the actual language for that keyboard. If it is not the same, the EBCDIC characters resulting from diacritic character processing may be incorrect.

### Entry Format for Blank Keys and Unassigned Scan Codes

Not all keys or key positions for a given keyboard necessarily have an assigned character or keyboard function. Source entries for scan codes corresponding to key

positions having nothing assigned have a format indicating that the key is blank. Table 12 shows the format for blank and unassigned scan codes.

*Table 12. Translation Table Entry Format for Blank Keys*

Byte	Value
1	'22'X Unassigned Key
2	'00'X

When an unassigned key is pressed, the workstation controller discards the scan code. No character is displayed, nor is any kind of error message displayed.

If a particular scan code value cannot be generated by a particular type of keyboard, then all source entries corresponding to that scan code have a format indicating the scan code is not valid. When the workstation controller detects such scan codes, an error message is sent indicating the scan code is not valid. Table 13 shows the format for scan codes that are not valid.

*Table 13. Translation Table Entry Format for Scan Codes That Are Not Valid*

Byte	Value
1	'23'X Key Not Valid
2	'00'X

## Entry Format for the Proof Space Character

The source entry for the scan code corresponding to a shifted spacebar on a data entry keyboard requires a special format so that certain data entry keyboard functions are properly handled. This entry is called the entry for a proof space character. Table 14 shows the format for the proof space character.

*Table 14. Translation Table Entry Format for Proof Space Character*

Byte	Value
1	'27'X
2	'40'X (EBCDIC code for the space character)

## Entry Format for Function Keys

In this section, the term **function key** refers to a broad class of keyboard functions that can be performed by the workstation controller. The term does not refer exclusively to the PF or Cmd keys that may be on the keyboard of a twinaxial display. It can also refer to other keys that may result in such controller functions as moving the cursor, putting the display into insert mode, or generating an aid function, such as Help or Page Up.

The controller processes function key requests from a twinaxial display based on a number of different categories of keyboard functions. The source entries for function keys have a format that allows the controller to identify a function key request as belonging to a particular function category.

The first byte of each source entry has the same value for all keyboard functions that are in the same category. The second byte of the entry contains the value that uniquely identifies the keyboard function within a particular category.

Table 15 through Table 21 on page 60 show the formats for function keys.

*Table 15. Translation Table Entry Formats: Cursor Movement Functions*

Byte	Value and Function
1	'01'X Cursor Movement Function
2	'01'X New Line '02'X Cursor Left '03'X Cursor Right '04'X Fast Cursor Left '05'X Fast Cursor Right '06'X Cursor Up '07'X Cursor Down '08'X Character Backspace '09'X Tab Back (Field Backspace) '0A'X Tab Advance '0B'X Tab Advance and Tab Function '0C'X Tab Function '0D'X Home '0E'X Character Advance
<p><b>Note:</b> In data processing mode, unique text functions are performed for the different tabs with hexadecimal values '0A'X, '0B'X, and '0C'X. In word processing mode, the unique text functions are performed for all the different types of tabs.</p>	

*Table 16. Translation Table Entry Formats: Field Exit Functions*

Byte	Value and Function
1	'02'X Field Exit Function
2	'01'X Field Exit '02'X Field - (minus) '03'X Field + (plus) '04'X Dup

*Table 17. Translation Table Entry Formats: Nonaid Functions*

Byte	Value and Function
1	'03'X Nonaid Functions
2	'01'X Insert '02'X Delete '03'X Erase Input '04'X Cancel '05'X Close (Bidirectional languages only) '06'X Reverse (Bidirectional languages only) '07'X Base (Bidirectional languages only) '08'X Screen Reverse (Bidirectional languages only) '09'X Reverse Video Screen '0A'X Erase End of Field (Erase EOF) '0B'X Field Mark '0C'X Cursor Select '10'X Command Key (Cmd) '11'X Hex

*Table 18. Translation Table Entry Formats: Immediate Functions*

Byte	Value and Function
1	'04'X Immediate Functions

Table 18. Translation Table Entry Formats: Immediate Functions (continued)

Byte	Value and Function
2	'01'X Reset '02'X Attention '03'X System Request

Table 19. Translation Table Entry Formats: Function (Cmd) Key Functions

Byte	Value and Function
1	'05'X Cmd Key Functions
2	'01'X PF1 (Cmd1) '02'X PF2 (Cmd2) '03'X PF3 (Cmd3) '04'X PF4 (Cmd4) '05'X PF5 (Cmd5) '06'X PF6 (Cmd6) '07'X PF7 (Cmd7) '08'X PF8 (Cmd8) '09'X PF9 (Cmd9) '0A'X PF10 (Cmd10) '0B'X PF11 (Cmd11) '0C'X PF12 (Cmd12) '0D'X PF13 (Cmd13) '0E'X PF14 (Cmd14) '0F'X PF15 (Cmd15) '10'X PF16 (Cmd16) '11'X PF17 (Cmd17) '12'X PF18 (Cmd18) '13'X PF19 (Cmd19) '14'X PF20 (Cmd20) '15'X PF21 (Cmd21) '16'X PF22 (Cmd22) '17'X PF23 (Cmd23) '18'X PF24 (Cmd24)

Table 20. Translation Table Entry Formats: Aid Generating Functions

Byte	Value and Function
1	'06'X Aid Generating Functions
2	'01'X Print '02'X Roll Up (Page Down) '03'X Roll Down (Page Up) '04'X Enter '05'X Clear '06'X Test Request '07'X Help '08'X PA1 '09'X PA2 '0A'X PA3

Table 21. Translation Table Entry Formats: Shift Key Functions

Byte	Value and Function
1	'16'X Shift Key



Table 21. Translation Table Entry Formats: Shift Key Functions (continued)

Byte	Value and Function
2	'01'X Shift Lock
	'02'X Left Shift
	'03'X Right Shift
	'04'X Alphanumeric Shift
	'05'X Katakana Symbol Shift
	'06'X Katakana Shift
	'07'X Left Alt Shift (Enhanced keyboards only)
	'08'X Right Alt Shift (Enhanced keyboards only)
	'09'X Caps Lock
	'0A'X Latin Shift
	'0B'X Language Shift
	'0C'X Layer Select Shift
	'0D'X Left Special Character support
	'0E'X Right Special Character support

## Changing Source Entries for Scan Codes That Are Not Valid

The set of scan codes that a particular display keyboard can generate is a subset of the entire range of scan code values in a translation table. The complete range is from '00'X to '7F'X. Translation table entries for scan code values that are not in a specific subset are usually coded as scan code entries that are not valid (see “Entry Format for Blank Keys and Unassigned Scan Codes” on page 57). Although most twinaxial displays should never generate such scan code values, you can change the corresponding source entries for these scan codes so that something other than a scan code that is not valid is specified.

A device that is emulating a twinaxial display may be capable of generating scan code values that an actual twinaxial display cannot. Also, there are a number of twinaxial displays manufactured to meet certain language requirements that can generate scan code values besides those shown in “Keyboard Scan Codes” on page 42 . To accommodate such displays, the translation table entries for all scan codes (except the ones noted for each keyboard type) can be changed in your workstation customizing source.

## Keyboard Functions Not Specified in Translation Tables

There are some keyboard functions that you cannot directly specify in a translation table. Some of these functions cannot be changed using workstation customizing, while others can be indirectly affected by it.

Examples of keyboard functions that you cannot directly specify are functions that require a Command (Cmd) key sequence on a 5250-style keyboard. When you press the Cmd key on a twinaxial keyboard followed by one of the top-row keys on the keyboard, the workstation controller performs one of the Command or PF key functions (Cmd1-Cmd12). However, there are no individual entries in a 5250-style keyboard translation table for each of these functions. There is only a translation table entry for the Cmd key itself. When the Cmd key is pressed and the scan code for a top-row key is received, the controller calls one of the Cmd1-Cmd12 functions.

Any keyboard functions normally performed by the workstation controller that are not coded in a given translation table cannot be customized using the workstation customizing functions. Therefore, the key sequences for Cmd1-Cmd12 on a 5250-style keyboard must always involve pressing a given key (like Cmd) followed

by one of the top-row (numeric) keys. You can change the key required to put the display into the Cmd state; however, the subsequent key required to call one of the functions Cmd1-Cmd12 cannot be changed.

On an Enhanced keyboard, the equivalent keyboard functions (Cmd1-Cmd12) are accessed by way of single keys. There are separate entries in an Enhanced keyboard translation table that specifically identify the Cmd function to be performed.

Another group of keyboard functions that can be indirectly affected by workstation customizing are the OfficeVision/400 editor functions. Many of these functions are called using Alt key sequences on 122-key and Enhanced keyboards, and using Cmd key sequences on 5250 keyboards. The translation tables contain no information specifying these particular functions. The workstation controller is notified that a display is in the editor (text edit) mode, and the base translation table function that is called determines whether or not one of these editing functions should be performed.

The text editing functions are only affected by workstation customizing when you decide to change the base keyboard functions with which a given text edit function is associated. For example, the editing function for underlining text is initiated by pressing Alt U on an Enhanced keyboard when the editing functions are active. If a customized translation table changes the key required for a user to enter the character U, then the underscore function follows the U function to that new key.

---

## Working with the Tag Language for Twinaxial Displays

When the device class parameter specified for the RTVWSCST command is a twinaxial display other than 3477, 3486, or 3487 (DEVCLASS=TWINAXDSP), your source structure looks like the following:

```
:WSCST DEVCLASS=TWINAXDSP.  
  
  :TKBDTBL with parameters.  
  
    :TKSTATE with parameters.  
      /*one keyboard state table*/  
      .  
      .  
      /*from 1 - 5 additional state*/  
      /*tables depending on keyboard type*/  
      .  
      .  
:EWSCST.
```

*Figure 9. Source Structure for Twinaxial Displays*

The order and placement of the primary tags in each source file member is enforced by the workstation customizing object compiler.

---

## Using the Tags to Customize Twinaxial Display Keyboards

The following sections describe the tags you can use to customize a twinaxial keyboard. For a twinaxial device, the keyboard is the only part of the device that you can customize.

To retrieve a source file for customizing a twinaxial display, be sure to specify a twinaxial display for the device type when you use the Retrieve Work Station Customizing Object Source (RTVWSCST) command. To see a complete source code example for a twinaxial display, see “Source Code for 3477 Twinaxial Display” on page 311.

## Keyboard Translation Table (TKBDTBL) Tag

The TKBDTBL (keyboard translation table) tag in your source defines the twinaxial keyboard translation table you want to customize. When the TKBDTBL tag is missing from the source, the default translation tables are used when the device is varied on. The syntax for this tag is:

```
:TKBDTBL
      LANGTYPE = keyboard language type
      KBDTYPE = DATA5250|TYPE5250|
              DATA122|TYPE122|
              ENHANCED.
```

Figure 10. Syntax for the Keyboard Translation Table Tag

The TKBDTBL tag indicates the beginning of the keyboard translation table and is used to specify a keyboard and language type for a twinaxial display or an ASCII printer attached to a twinaxial display.

### LANGTYPE

A required parameter that specifies the type of keyboard language. Valid values for this parameter are listed in Table 22.

**Note:** Not all combinations of the language type parameter and the keyboard type parameter are valid. For a list of the valid combinations, see Table 23 on page 66.

Table 22. Values for the Language Type (LANGTYPE) Parameter

Language Type Value	Language Description	Associated Code Page
AGB	Austria/Germany	273
AGI	Austria/Germany Multinational	500
ALI	Albania	500
BGB	Bulgaria	1025
BLI	Belgium Multinational	500
BRB	Brazil	037
CAB	Canadian French	260
CAI	Canadian French Multinational	500
CLB	Arabic	420
CSB	Czech Republic	870
CYB	Cyrillic	880
DMB	Denmark	277
DMI	Denmark Multinational	500
FAB	France (Azerty)	297
FAI	France (Azerty) Multinational	500

Table 22. Values for the Language Type (LANGTYPE) Parameter (continued)

Language Type Value	Language Description	Associated Code Page
FNB	Finland	278
FNI	Finland Multinational	500
FQB	France (Qwerty)	297
FQI	France (Qwerty) Multinational	500
GKB	Greece	423
GNB	Greece	875
HNB	Hungary	870
ICB	Iceland	871
ICI	Iceland Multinational	500
INB	International	500
INI	International Multinational	500
IRB	Iran (Farsi)	1097
ITB	Italy	280
ITI	Italy Multinational	500
JEB	Japan English	281
JEI	Japan English Multinational	500
KAB	Japan Katakana	290
MKB	FYR Macedonia Former Yugoslav Republic	1025
NCB	Hebrew	424
NEB	Netherlands	037
NEI	Netherlands Multinational	500
NWB	Norway	277
NWI	Norway Multinational	500
PLB	Poland	870
PRB	Portugal	037
PRI	Portugal Multinational	500
RMB	Romania	870
ROB	Latin 2	870
RUB	Russia	1025
SFI	Switzerland/French Multinational	500
SGI	Switzerland/German Multinational	500
SKB	Slovakia	870
SPB	Spain	284
SPI	Spain Multinational	500
SQB	Serbia (Cyrillic)	1025
SSB	Spanish Speaking	284
SSI	Spanish Speaking Multinational	500

Table 22. Values for the Language Type (LANGTYPE) Parameter (continued)

Language Type Value	Language Description	Associated Code Page
SWB	Sweden	278
SWI	Sweden Multinational	500
THB	Thailand	838
TKB	Turkey (Qwerty)	1026
TRB	Turkey (F)	1026
UKB	United Kingdom	285
UKI	United Kingdom Multinational	500
USB	United States/Canada	037
USI	USA/Canada Multinational	500
YGI	Croatia	870
YGI	Languages of the former Yugoslavia	870
YGI	Serbia (Latin)	870
YGI	Slovenia	870

#### **KBDTYPE**

A required parameter that specifies the keyboard type. The following list shows the valid values and their meanings.

DATA122	122-key data entry keyboard
TYPE122	122-key typewriter keyboard
DATA5250	5250 data entry keyboard
TYPE5250	5250 typewriter keyboard
ENHANCED	Enhanced keyboard

Table 23 on page 66 maps the available language types with the types of keyboards for which workstation customizing is supported.

The TKBDTBL tag can be followed by from two to six TKSTATE (keyboard translation state table) tags. Each tag indicates one state table for the keyboard. For a given language type, there are valid combinations of the KBDTYPE parameter with the MODE and SHIFT parameters on the TKSTATE tags. See Table 23 on page 66 for the format value associated with each valid KBDTYPE value for the language type you selected. This format value dictates the number of TKSTATE tags that are required. The formats are described with the TKSTATE tag in the following section.

## **Keyboard Translation State Table (TKSTATE) Tag**

The TKSTATE (keyboard translation state table) tag defines a twinaxial keyboard translation table for one state of a keyboard. Keyboards can have anywhere from two to six states, depending on the type. Therefore, there are two to six TKSTATE tags following each TKBDTBL tag. This tag is required whenever the TKBDTBL tag is specified. The syntax for the TKSTATE tag is:

```

:TKSTATE
  MODE = NONE|LATIN|LANGUAGE|SPCCHR
  SHIFT = UNSHIFT|UPPER|ALT
  DATA = table data.

```

Figure 11. Syntax for the Keyboard Translation State Table Tag

### MODE

A required parameter. Specifies the keyboard mode for which the translation table is used.

NONE	No keyboard mode is required.
LATIN	Latin character entry mode
LANGUAGE	Language character entry mode
SPCCHR	Special character keyboard mode.

### SHIFT

A required parameter. Specifies the keyboard shift for which the translation table is used.

UNSHIFT	The translation table is used if the keyboard is not in any shift state.
UPPER	The translation table is used if the keyboard is in an upper shift state.
ALT	The translation table is used if the keyboard is in an Alt key shift state.

### DATA

A required parameter. Specifies the translation table data for one keyboard state. The data is the hexadecimal values for the keys on the keyboard in this state. The table data must be hexadecimal and must be exactly 256 bytes in length.

*table data*

Hexadecimal values for the keyboard keys in this state.

Table 23 maps the available language types with the keyboards and shift states they support. A list following the table shows the MODE / SHIFT combinations for the various language and keyboard types. These combinations can occur in any order within the group, but all are required to be present for a particular keyboard and its requirements.

Table 23. Language Type and Keyboard Type Considerations

Language Type Value	Number of TKSTATE Tags				
	DATA122	TYPE122	DATA5250	TYPE5250	ENHANCED
AGB, AGI	—	2	2	2	6
ALI	—	2	—	—	6
BGB	—	—	—	—	5
BLI	—	2	2	2	6
BRB	—	—	—	2	6
CAB	2	2	2	2	3
CAI	2	2	2	2	6

Table 23. Language Type and Keyboard Type Considerations (continued)

Language Type Value	Number of TKSTATE Tags				
	DATA122	TYPE122	DATA5250	TYPE5250	ENHANCED
CLB, CYB	—	4	—	4	5
CSB	—	—	—	—	3
DMB, DMI	—	2	2	2	6
FAB, FAI	—	2	2	2	6
FNB, FNI	—	2	2	2	6
FQB, FQI	—	—	2	2	—
GKB, GNB	—	4	—	4	5
HNB	—	—	—	—	3
ICB, ICI	—	2	—	2	6
INB, INI	—	—	2	2	—
IRB	—	4	—	—	5
ITB, ITI	—	2	2	2	6
JEB, JEI	—	—	2	2	—
KAB	4	4	4	4	5
MKB	—	—	—	—	5
NCB	—	4	—	4	5
NEB, NEI	2	2	2	2	6
NWB, NWI	—	2	2	2	6
PLB	—	—	—	—	3
PRB, PRI	—	2	2	2	6
RMB	—	—	—	—	3
ROB	—	2	—	2	3
RUB	—	—	—	—	5
SFI, SGI	—	2	—	2	6
SKB	—	—	—	—	3
SPB, SPI	—	2	2	2	6
SQB	—	—	—	—	5
SSB, SSI	2	2	2	2	6
SWB, SWI	—	2	2	2	6
THB	—	—	—	—	5
TKB	—	2	—	2	3
TRB	—	2	—	—	3
UKB, UKI	—	2	2	2	6
USB, USI	2	2	2	2	6
YGI	—	2	—	2	3

The MODE / SHIFT combinations that are required for the different numbers of TKSTATE tags specified in a workstation customizing source are defined as follows:

- When 2 TKSTATE tags are specified, the required MODE / SHIFT combinations are:
  - NONE / UNSHIFT
  - NONE / UPPER
- When 3 TKSTATE tags are specified, the required MODE / SHIFT combinations are:
  - NONE / UNSHIFT
  - NONE / UPPER
  - NONE / ALT
- When 4 TKSTATE tags are specified, the required MODE / SHIFT combinations are:
  - LATIN / UNSHIFT
  - LATIN / UPPER
  - LANGUAGE / UNSHIFT
  - LANGUAGE / UPPER
- When 5 TKSTATE tags are specified, the required MODE / SHIFT combinations are:
  - LATIN / UNSHIFT
  - LATIN / UPPER
  - LANGUAGE / UNSHIFT
  - LANGUAGE / UPPER
  - NONE / ALT
- When 6 TKSTATE tags are specified, the required MODE / SHIFT combinations are:
  - NONE / UNSHIFT
  - NONE / UPPER
  - NONE / ALT
  - SPCCHR / UNSHIFT
  - SPCCHR / UPPER
  - SPCCHR / ALT

---

## Customizing a 3477 Twinaxial Display for Diacritic Character Support

In this example, you are customizing a 3477 Model H twinaxial display with a 122-key typewriter keyboard and you want to use and display some diacritic characters.

It is assumed that the 3477 Model H workstation is physically attached to the AS/400 system, configured to work with the system (appropriate controller and device descriptions created), and is varied on.

### Step 1: Planning the Customizing

After looking over the reference book for the display to familiarize yourself with the display device, see the reference information for customizing twinaxial displays in Chapter 7. Customizing Twinaxial Displays of this book.



In this example, the diacritic characters for which you want to add support are the following:

- ^ circumflex
- ~ tilde
- ç cedilla (the accent beneath the c)
- .. diaeresis
- ´ acute

From experimenting with the display functions, you find that five keys on the numeric key pad do not correspond to or provide any function. Using the scan code illustrations in “Keyboard Scan Codes” on page 42, you find the scan codes for these unassigned keys. These are shown in the following figure:

1D	1E	4F	50
			55

Numeric Key Pad

Figure 12. Scan Codes for Unassigned Keys on 3477 Model H 122-Key Typewriter Keyboard

## Step 2: Retrieving the Workstation Customizing Source

To create a workstation customizing source, you use the Retrieve Work Station Customizing Object Source (RTVWSCST) command and specify the following:

Device type	DEVTYPE(3477)
Keyboard language type <sup>1</sup>	KBDTYPE(USI)
Source member	SRCMBR(CST3477)
Keyboard attached	KBD(*TYPE122)
Source file	SRCFILE(CSTSRC)
Library	LIB(CSTLIB)
Text	TEXT('Workstation customizing source for 3477 diacritics')

<sup>1</sup>This value must match the keyboard language type you specified in the device description for the display; otherwise the display will not vary on.

### Step 3: Changing the Source

After you retrieve the source, use the source entry utility (SEU) to change the hexadecimal values that correspond to the codes for the keys on the numeric key pad. The command is:

```
STRSEU SRCFILE(CSTLIB/CSTSRC) SRCMBR(CST3477)
```

To be certain that the keys you want to customize are unassigned, look at the first state table in your source denoted by

```
:TKSTATE MODE = NONE SHIFT = UNSHIFT.
```

The values for unassigned keys are set to '2200'X. The first byte of the new entries was selected from Table 10 on page 56. The second byte was selected from Table 11 on page 57. Write these values on your planning work sheet as shown in the following table:

**Note:**

Table 24. Twinaxial Keyboard Translation Table Entries—Example Work Sheet

Twinaxial Keyboard Translation Table Entries (Mode= NONE Shift State= UNSHIFT)				
Scan Code	Key or Function		Hexadecimal Data	
	Old	New	Old	New
1D	Num Lock	^	2200	2501
1E	/	~	2200	2503
4F	*	cedilla	2200	2504
50	—	..	2200	2505
55	+	´	2200	2506

Change the '2200'X entries for the appropriate keys in your source to the entry values shown in the previous table and save the changed source.

### Step 4: Creating the Workstation Customizing Object

After you change and save the source, create the workstation customizing object using the Create Work Station Customizing Object (CRTWSCST) command. Specify the following parameter values:

WSCST name	WSCST(CST3477)
Library	LIB(CSTLIB)
Source member	SRCMBR(CST3477)
Text	TEXT('Workstation Customizing Object for 3477 diacritics')
Source file	SRCFILE(CSTSRC)
Library	LIB(CSTLIB)

If any errors occur, messages are sent to the job log to help you correct them.

## Step 5: Varying On the Device

Using the Change Device Description Display (CHGDEVDSP) command, change the device description for the 3477 Model H display and specify the customizing object CST3477 for the workstation customizing object (WSCST) parameter.

To activate the workstation customizing function, use the Work with Configuration Status (WRKCFGSTS) to vary off and then vary on the display.



---

## Chapter 8. Customizing ASCII Displays

This chapter provides more detailed technical information to help you customize ASCII displays. This chapter describes the function and operation of the mapping tables used by the AS/400 system's local ASCII workstation controller to support an ASCII display. Some of the background information about the local ASCII workstation controller is provided to help you understand the way the different mapping tables are used with one another and how the ASCII workstation controller processes keyboard and display data. This information may help you customize your ASCII display.

The tag language source structure for customizing the mapping tables for ASCII displays is also described in this chapter, followed by the syntax and descriptions for the individual tags related to customizing ASCII displays.

Using the OS/400 workstation customizing for ASCII displays you can:

- Customize the functional characteristics of a supported ASCII display
- Customize the functional characteristics and specify all the necessary parameters required to provide support for an unsupported ASCII device type

---

### Beginning to Customize ASCII Displays

When you customize a supported ASCII display, you are adding or changing the functional or character support the ASCII workstation controller provides for the display. If you want to change the way the ASCII keyboard sends information to the ASCII workstation controller, you need to change the mapping tables used to perform inbound processing. If you want to change the way that characters appear on the display, you need to change the mapping tables used to perform outbound processing. In most cases you want to change both. (See "Inbound and Outbound Processing" on page 84 for a more detailed definition.)

To begin customizing your ASCII display, start by changing the characteristics for outbound processing first. This allows you to see the information being sent to the display correctly. It is then easier to determine the changes you want to make for keyboard processing. After you have made the necessary additions and changes to the display mapping tables, you should create the customizing object and test the characteristics for outbound processing that you changed. When you have these characteristics working correctly, you can then change the workstation customizing source a second time to change the characters and functions called by the keyboard.

If you are customizing a supported ASCII display, you can skip the next section and go on to the technical overview that describes the way the ASCII workstation controller performs both inbound and outbound processing. Following the overview is more detailed technical information about the ASCII display mapping tables and the tags you can use to customize your display.

---

## Customizing Unsupported ASCII Displays

When you want to customize an ASCII display that is not currently supported by the ASCII workstation controller, you need to retrieve a source file member based on a supported device type and keyboard language type. To do this, you need to find out which device type is most like your unsupported display. This may involve reading the reference book to find out if the display emulates any supported display types, talking to the manufacturer of the device, or talking to your technical support specialist. The following are some other questions you need to answer before you begin the workstation customizing process:

- What display functions or characteristics and national characters do I want this display to support?

Write these down so that you can answer the next question.

- Does the display itself support the functions you need?

Check the reference book to determine this. If neither the display nor the ASCII workstation controller can support the functions you need, you cannot customize the display to support those functions.

- Does the display emulate or support the emulation of an IBM-supported display?

If so, set it up to use the emulation because it could make your customizing easier.

- Which supported ASCII display has similar characteristics to my unsupported ASCII display?

To find out more about the characteristics of the ASCII displays supported by IBM and the AS/400 system, you can do one or more of the following:

- Check the reference books for the supported displays. These may be available through your technical support specialist or marketing representative. You may already be using one or more of the supported displays and have a book on hand, or you could contact the manufacturer of a supported display and ask for a list of the display characteristics or the book for the supported display.
- The *ASCII Work Station Reference* contains a list of the general display characteristics (such as the line speed, parity, and size of the screen) for supported ASCII displays.

When you know or have an idea which supported display your ASCII display is most like, you can use the device type for the supported display to retrieve a workstation customizing source file member to be the basis of your workstation customizing object. Use the Retrieve Work Station Customizing Object Source (RTVWSCST) command to retrieve mapping tables for a supported workstation that is most like your unsupported workstation.

After you have answered the previous questions, you also need to do the following:

- Set up all the necessary hardware to connect the display to the ASCII workstation controller

- Set up any programmable features provided by the display

This is the time to set up any emulation (if supported), as well as any language sets and other parameters that affect the display.

- Create the necessary controller and device descriptions if needed

The controller description is for the ASCII workstation controller and may already exist. The device description is for the ASCII display.

After you have set up and turned on the display, vary it on and see if the Sign On display is shown. If so, you can test the characteristics of the display immediately. Otherwise, you may need to create a workstation customizing source and change the hexadecimal values for the CLRSCN (Clear Screen), and CSRADR (Set Cursor Address) attributes in the source to those for the unsupported display. For more information about changing these tags initially, see “Display Commands for Unsupported Device Types” on page 90.

The workstation customizing procedure for ASCII displays that are not currently supported can involve some trial-and-error. For an unsupported display, you usually have a lot of additions or changes to make. To avoid compiling errors, you can do this by making one or two changes to the source at a time and then creating the workstation customizing object. Test the object (vary off the display, specify the customizing object in the device description, and then vary the display back on) to see if the results are what you expected. If so, then make the next changes; otherwise, go back to the source and the reference book for the display to determine the cause of the problem before going further with the workstation customizing procedure.

The remaining sections in this chapter provide more detailed technical information about the display mapping tables, the tags you use to customize an ASCII display, and some examples.

---

## **Working with ASCII Displays and the Local ASCII Workstation Controller**

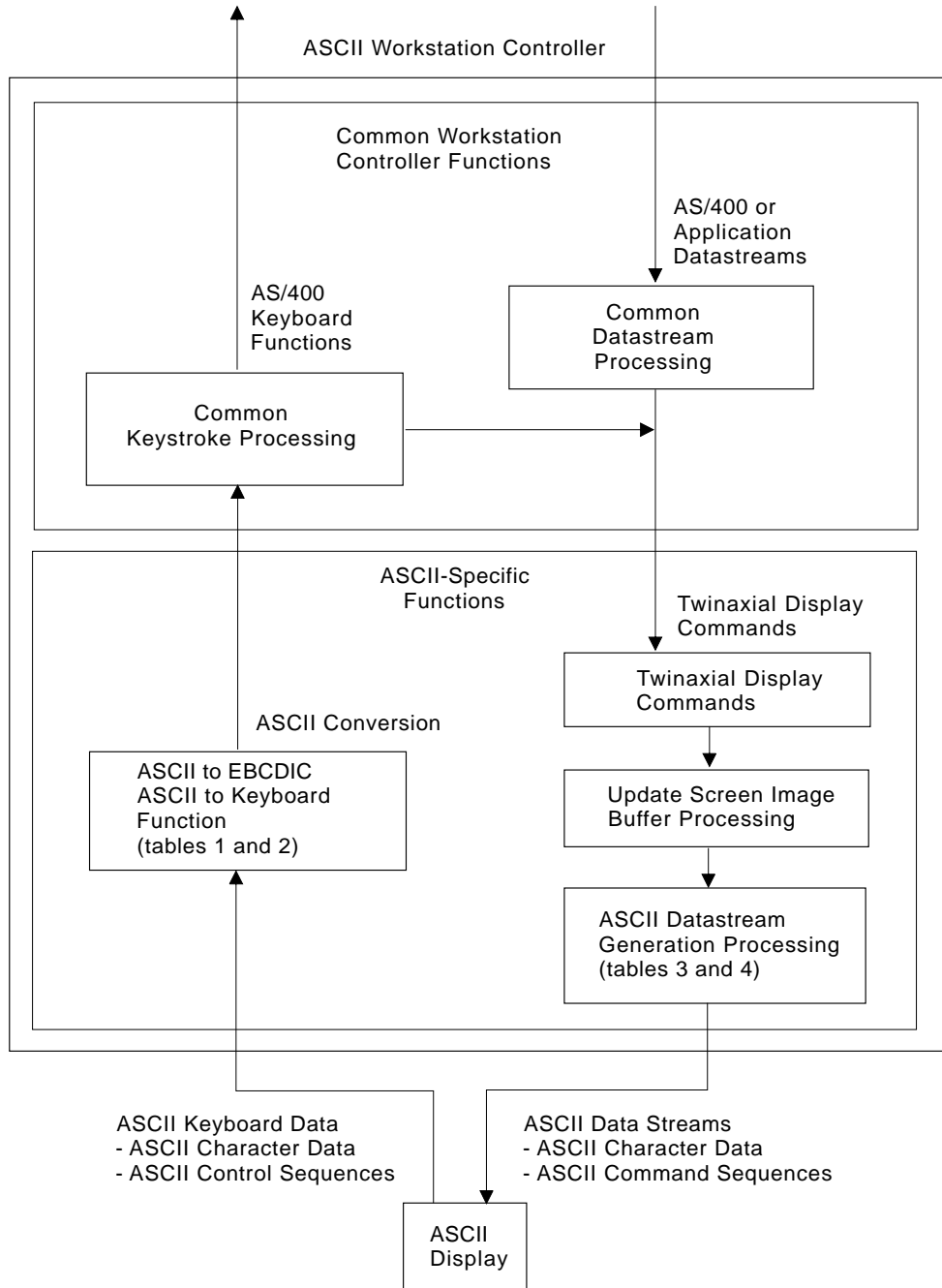
The AS/400 local ASCII workstation controller works similarly to the local twinaxial workstation controller in terms of the display and printer interface it provides to the AS/400 operating system. Whether the attached device is an ASCII or a twinaxial device does not matter to applications sending data to a display or printer from the AS/400 system.

The function of the local ASCII workstation controller is based on that of the twinaxial workstation controller. Much of the functional code within the two controllers is common code. This common code provides most of the major functions provided by the controllers, for example, data flow control, data stream processing, and keystroke processing.

An ASCII-specific layer of code provides the function that is unique to supporting ASCII displays with the ASCII workstation controller. Among the functions included in this layer of code are a twinaxial device emulation function (ASCII displays are supported as emulated twinaxial displays), ASCII device configuration support, and the necessary interface between the ASCII displays and the ASCII-unique hardware of the ASCII controller.

The ASCII-specific layer of code has two main interfaces. One is an interface to the common code, which sends and receives commands, status, and data as though a twinaxial display is attached. The other is the interface to the actual ASCII displays. The character data sent to and received from the devices must be ASCII character data and the command format must conform to the command format for the specific type of ASCII display that is attached.

Figure 13 illustrates the interfaces between the code (the ASCII-specific code and the common workstation controller code) and the devices themselves:



Tables:

1. ASCII to EBCDIC Character Mapping Table
2. ASCII to Keyboard Function Mapping Table
3. Update Screen Table
4. EBCDIC to ASCII Mapping Table

RV2H455-2

Figure 13. Twinaxial Device Emulation Processes



The ASCII-specific code in the ASCII workstation controller processes keyboard data by converting it to EBCDIC character codes or twinaxial keyboard functions. The common code then performs the keystroke processing necessary to echo a character back to the display, move the cursor, or signal an application that a particular function key has been pressed. The ASCII-specific code then generates ASCII commands and data from the twinaxial display commands passed to it from the common code.

To support an ASCII display, the ASCII-specific code must map data and commands back and forth between the format required by the common code and the format required by the devices themselves. This is done using a number of different mapping tables. The following list shows the mapping tables required to support an ASCII display.

**ASCII display tables:**

- ASCII-to-EBCDIC character mapping table
- ASCII to keyboard function mapping table
- Update screen table
- EBCDIC-to-ASCII character mapping table

In most cases, the ASCII to keyboard function table and the update screen table used for an ASCII display depends exclusively on the device type. Which ASCII-to-EBCDIC character tables and EBCDIC-to-ASCII character tables are used for an ASCII display depends on both the device type and the national language selected for the device description.

## Twinaxial Device Emulation

Before looking at the display and mapping tables used by the ASCII workstation controller, it is helpful to have some background information on ASCII character sets, code pages, control codes, and command sequences.

The ASCII workstation controller uses the mapping tables combined with twinaxial device emulation to map data between an ASCII workstation and the AS/400 system. The twinaxial device emulation assures that the following objectives are met:

- Appearance of application displays sent to an ASCII display are the same (or nearly the same) as if those application displays were sent to a twinaxial display. This means that the same characters should be displayed in the same locations on the screen, and the highlighting of data should be consistent with what it would be on a twinaxial display.
- Data passed back to the application from an attached ASCII display is in the same format as data passed back from an attached twinaxial display.
- ASCII keyboard functions are the same as the keyboard functions available for a twinaxial display.

Part of the twinaxial device emulation involves the maintenance of an internal screen image buffer within the ASCII workstation controller itself. This internal screen image buffer is equivalent to the screen buffer for a twinaxial display. The type of data residing in the internal screen image buffer for the ASCII workstation controller is exactly the same as the type of data that would be in the buffer for a twinaxial display. For example, null character data, control character data, attribute control characters, and EBCDIC character data are stored in this buffer.

As Figure 13 on page 76 shows, the interface between the common workstation controller code and the ASCII-specific code involves twinaxial commands from the common code to the ASCII-specific code. For displays, these twinaxial commands contain information on the data that should be displayed and where on the screen it should be displayed. The ASCII-specific code processes these commands, updating its internal screen image buffer so that it contains the same data that would be in a twinaxial display's internal screen buffer.

Maintaining the internal screen image buffer and mapping the data from this buffer into ASCII data streams allows the appearance of the ASCII display to be as close as possible to the appearance of a twinaxial display. This also allows the ASCII workstation controller to be sure that data being passed back to the application is equivalent to data that would be passed back from a twinaxial display.

To provide you with the same type of keyboard functions that are available on a twinaxial display, the ASCII-specific code in the ASCII workstation controller maps the ASCII control characters and control sequences generated from the keyboard of your ASCII display into a format which the common workstation controller code recognizes as twinaxial keyboard function requests. The common workstation controller code then completes the keystroke processing.

## ASCII Character Sets and Code Pages

An ASCII character set represents another method of encoding character data (the same way that an EBCDIC character set represents a way of encoding character data). "ASCII Character Code to Hexadecimal Value Chart" on page 367 shows how graphical character data is encoded for the United States (US) ASCII character set. The encoding scheme shown is also often referred to as the US ASCII code page.

Code values in the range '20'X through '7E'X are reserved for graphical character data. Code values in the range '00'X through '1F'X, plus '7F'X, are used for control codes.

Just as there are different varieties of EBCDIC character sets and code pages, there is also a variety of ASCII character sets and code pages. For most ASCII devices manufactured in the US, the US ASCII character set is the same from one ASCII device to the next. The particular ASCII character set used for a given national language varies from one display manufacturer to the next.

The US ASCII character set is a 7-bit character set, meaning all the data and control codes within this set can be represented by different combinations of 7 bits. Some ASCII devices support 8-bit ASCII character sets. For 8-bit ASCII character sets, the assignment of character code values and control code values is split into two ranges, a lower range of values from '00'X through '7F'X, and an upper range of values from '80'X through 'FF'X. The assignment of character values in this upper range is similar to the assignment used in the lower range as shown in the following list.

<b>Lower range</b>	'00'X-'7F'X
Lower range control characters	'00'X-'1F'X
Graphic character data	'20'X-'7E'X
Control code	'7F'X
<b>Upper range</b>	'80'X-'FF'X

Upper range control characters	'80'X-'9F'X
Graphic character data	'A0'X-'FE'X
Character data (usually)	'FF'X

ASCII devices that support an 8-bit character set can be set up to operate in 7-bit mode. In this case, the display still needs a way to access data in the upper range of the character set using a 7-bit character code. To access the upper range of the character set, the control characters, **shift-in** (SI) and **shift-out** (SO) are used.

When a shift-out control character (usually '0E'X) is sent to the display, the display is signaled that it should now treat the subsequent data it receives in the range '20'X through '7F'X as though it is character data in the upper range ('A0'X through 'FF'X) of the character set.

When a shift-in control character (usually '0F'X) is sent to the display, the display is signaled that it should return to treating data in the range '20'X through '7F'X as the character data defined for those values.

The two ranges that make up the 8-bit character set are often referred to as character spaces. IBM ASCII displays refer to those spaces as the G0 and G1 character spaces. These displays support commands that allow the set of accessible characters in one of these character spaces to be swapped with a different set of graphic characters. Therefore, a single display may actually support three or more sets of characters simultaneously with specific character sets being loaded into the two character spaces as needed to display specific characters.

For example, many ASCII displays that are not manufactured in the United States are designed so that, by default, the US ASCII character set is assigned to the character space '20'X through '7F'X. Another character set containing many of the special language characters is assigned to the space from 'A0'X through 'FF'X. These displays usually support a command that allows the special language character set to be replaced with another graphic character set.

A command to switch back to the national language character set is also provided allowing the ASCII workstation controller to force the display back and forth between character sets as needed. The ASCII workstation controller makes use of these character space exchanging functions in its support for text symbol characters.

## ASCII Control Codes

ASCII control codes are sent to an ASCII display to indicate a specific command that the device is to perform. For example, the control code of '07'X has the mnemonic name BEL, and is usually a command to sound the audible alarm at the display. The control code of '08'X has the mnemonic name BS (backspace), and is usually a command to the display indicating that it should perform a backspace from the current cursor position.

## ASCII Command Sequences

Besides recognizing commands in the form of control codes, ASCII devices also recognize commands sent in the form of ASCII command sequences. Command sequences consist of a string of ASCII characters, where the first character is a

control code. For most ASCII devices, command sequences begin with the Escape (Esc) control code, which has the hexadecimal value '1B'X.

The data stream sent to an ASCII display or printer consists of ASCII graphic character codes, control codes, and ASCII command sequences. Although many ASCII displays and printers perform similar types of functions and support similar types of commands, the set of commands that is supported varies considerably from one device to another. Also, commands that perform similar functions on different types of displays are often called with completely different command sequences or control codes. This means that each ASCII device has its own unique set of commands. Therefore, the ASCII data stream sent to a particular type of device to perform a given function must be specific to that type of device.

## ASCII Display Keyboard Operations

Most of the keys on an ASCII display keyboard are assigned ASCII character codes, control codes, or ASCII command sequences. When a key is pressed on the keyboard, the assigned character code, control code, or command sequence is sent to the ASCII workstation controller.

More than one character code, control code, or command sequence can be assigned to a given key on an ASCII keyboard. In such cases, the particular code or sequence sent to the ASCII workstation controller depends on whether the key has been pressed in combination with a Shift or Control (Ctrl) key.

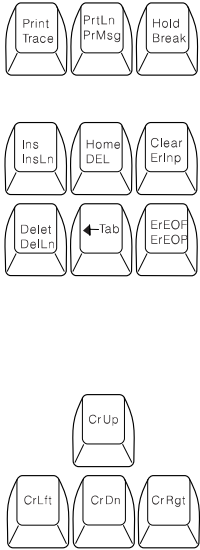
In general, ASCII displays do not send anything to the workstation controller when only the Shift or Ctrl key is pressed. When these keys are pressed in combination with other keys, data is sent to the ASCII workstation controller.

There are usually other keys on an ASCII keyboard that do not send anything to the ASCII workstation controller. Most ASCII displays have several keys reserved for local display functions. Pressing these keys causes the display to perform some internal function that does not involve the workstation controller.

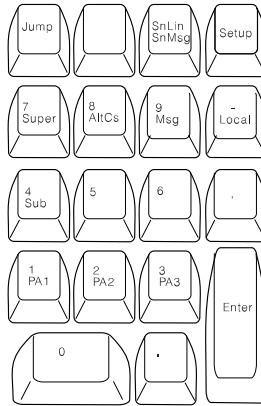
As with command sequences that are sent to an ASCII display to perform certain functions, the control codes or command sequences that are assigned to the keys on an ASCII display depend on the ASCII device type. Each different device generally has its own unique way of assigning control codes or command sequences to the keys.

As an example, Figure 14 on page 81 shows the keyboard layout for an IBM 3151 ASCII display. The functions and characters shown are labeled on the key tops and do not indicate any kind of specific functions supported by the ASCII workstation controller. Figure 15 on page 82 shows the ASCII character codes and ASCII code sequences sent to the ASCII workstation controller when the keys on the keyboard are pressed. Table 25 on page 83 shows the ASCII control sequences for providing the function key support for an IBM 3151 ASCII display.

Cursor Control Keys



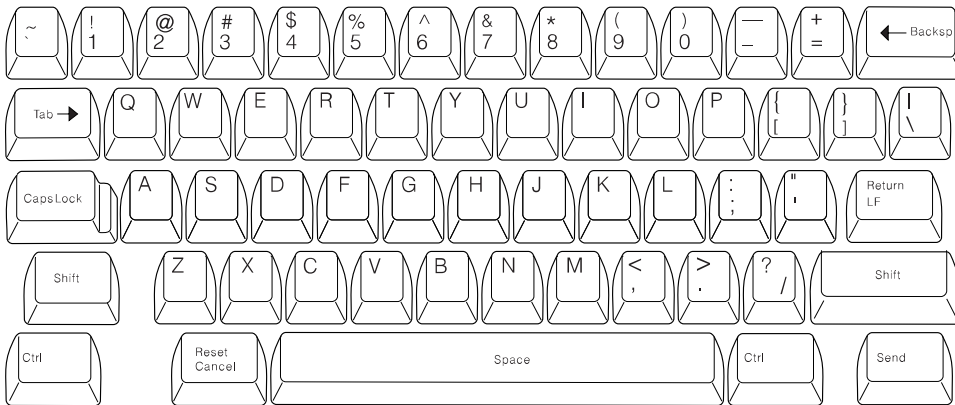
Numeric Pad



Function Keys



Core Area



RV4H051-0

Figure 14. IBM 3151 ASCII Display Keyboard Layout

Cursor Control Keys

1B5703	1B5503 1B5603	
1B502008 1B4E	1B48 7F	1B4C03 1B4B
1B51 1B4F	1B32	1B49 1B4A
	1B41	
1B43	1B42	1B44

Numeric Pad

1B2241	1B213803 1B203803		
37	38	39	2D
34	35	36	2C
31 1B216D03	32 1B216E03	33 1B216F03	1B3803
30		2E	

Function Keys

1B														
----	--	--	--	--	--	--	--	--	--	--	--	--	--	--

Core Area

7E 60	21 31	40 32 00	23 33 1B	24 34 1C	25 35 1D	5E 36 1E	26 37 1F	2A 38 7F	28 39	20 30	5F 2D	2B 3D	08	
09		51 71 11	57 77 17	45 75 05	52 72 12	54 74 14	59 79 19	55 75 15	49 69 09	4F 6F 0F	50 70 10	7B 5B	7D 5D	7C 5C
		41 61 01	53 73 13	44 64 04	46 66 06	47 67 07	58 78 08	4A 6A 0A	4B 6B 0B	4C 6C 0C	3A 3B	22 27	0D 0A	
			5A 7A 1A	58 78 18	43 63 03	56 76 16	42 62 02	4E 6E 0E	4D 6D 0D	3C 2C	3E 2E	3F 2F		
			1B217A03	20										1B3803

Notes:  
1st line Shift state, 2nd line Unshifted, 3rd Line Ctrl

Figure 15. Hexadecimal Code Values for the IBM 3151 ASCII Keyboard

Table 25. Example: 3151 ASCII Code Sequences

F1–F12 (Unshifted)	Hexadecimal Data	F13–F24 (Shifted)	Hexadecimal Data	F25–F36 (Ctrl+Shift)	Hexadecimal Data
F1	1B6103	F13	1B216103	F25	1B226103
F2	1B6203	F14	1B216203	F26	1B226203
F3	1B6303	F15	1B216303	F27	1B226303
F4	1B6403	F16	1B216403	F28	1B226403
F5	1B6503	F17	1B216503	F29	1B226503
F6	1B6603	F18	1B216603	F30	1B226603
F7	1B6703	F19	1B216703	F31	1B226703
F8	1B6803	F20	1B216803	F32	1B226803
F9	1B6903	F21	1B216903	F33	1B226903
F10	1B6A03	F22	1B216A03	F34	1B226A03
F11	1B6B03	F23	1B216B03	F35	1B226B03
F12	1B6C03	F24	1B216C03	F36	1B226C03

**Notes:**

1. The keyboards on other ASCII displays may have some of the same functions as those shown for the 3151. In general, however, the keyboards on ASCII displays vary from one manufacturer to another, and the assignment of control codes or character sequences varies a great deal from one display device to the next.
2. If the data sent to the workstation controller for noncharacter keyboard functions contains more than one byte, then the first byte is almost always the Esc control character ('1B'X). This is also the case for most ASCII displays other than the 3151.
3. Different data can be returned when a key is pressed depending on whether the Shift or Control (Ctrl) key is being held down at the same time the key is pressed.
4. Some of the labeled functions shown in Figure 14 on page 81 do not send data back to the workstation controller. In most cases, a local display function is performed. Examples of this are the Hold and Trace keyboard functions on the 3151 display, which are local display functions.
5. The data passed back to the workstation controller for keys containing graphic character data is always in the range '20'X through '7E'X. The data sent back for all other functions, such as noncharacter keyboard functions, always begins with data in the range '00'X through '1F'X or '7F'X.
6. For many of the character and control codes generated by the keyboard and sent to the ASCII workstation controller, it is not possible to identify exactly which key was pressed. For example, the control code of '09'X is sent to the workstation controller as a result of either pressing the Tab key or pressing the key sequence Ctrl I. Similarly, the code for the number 1 ('31'X) can originate from either a key on the top row of the keyboard or from one of the keys on the numeric key pad.

The data sent to the ASCII workstation controller from the keyboard does not allow the workstation controller to determine which key has been pressed. Only the particular function or character that you are trying to call is known.

## Processing Data for an ASCII Display

The following list shows the names of the mapping tables the workstation controller uses to map data between two formats: the format required by the ASCII display and the format used to process data for AS/400 applications.

- ASCII-to-EBCDIC character mapping table
- ASCII to keyboard function mapping table
- Update screen table
- EBCDIC-to-ASCII character mapping table

### Inbound and Outbound Processing

One of the things you need to think about when you customize an ASCII display is inbound and outbound processing. The ASCII-to-EBCDIC character and the ASCII to keyboard function mapping tables are the tables used to process data from the ASCII display keyboard. This type of processing is called inbound processing. The update screen table and the EBCDIC-to-ASCII character mapping table are the tables used to process data coming to the ASCII display from the AS/400 system and the ASCII workstation controller. This type of processing is called outbound processing. Figure 16 and Figure 17 on page 85 show the flow for both types of processing.

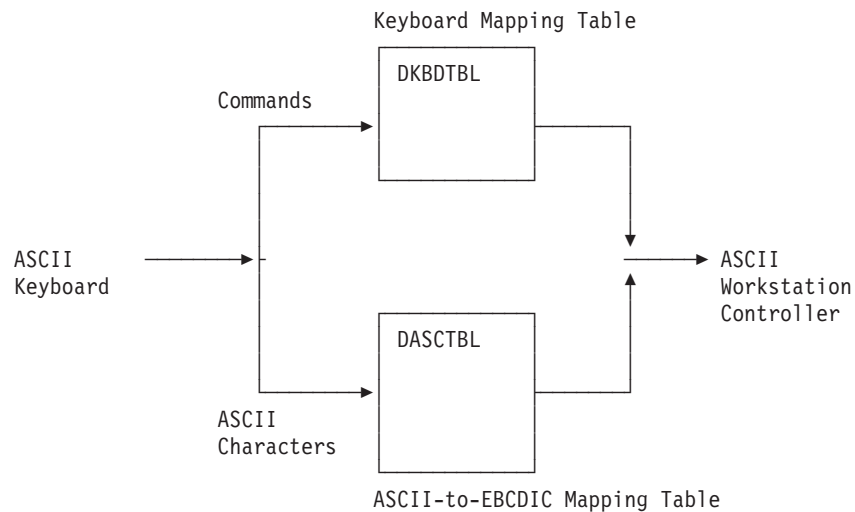


Figure 16. Inbound Processing for an ASCII Display



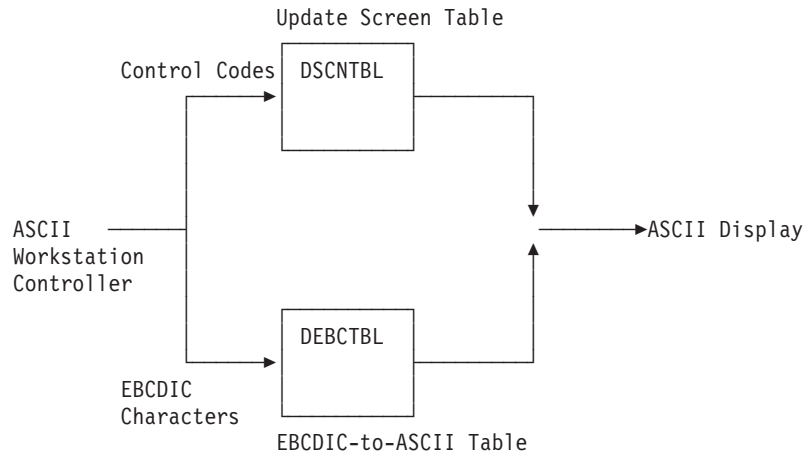


Figure 17. Outbound Processing for an ASCII Display

It is recommended that you start customizing the mapping tables for outbound processing first, and then customize the tables for inbound processing. This is so that what you see on the display is correct before you try to customize the keyboard for special characters and functions.

The following sections describe the general characteristics of the mapping tables to help you better understand how to change the workstation customizing source for these tables.

## Mapping Tables for ASCII Display Keyboards

The ASCII-to-EBCDIC mapping table and the ASCII to keyboard function table are used to convert data received from the ASCII display keyboard into the internal codes used for processing keystrokes. Figure 18 on page 86 shows the two tables and how they each fit into the process of generating the internal codes for keystroke processing (inbound processing).

The flow of operations shown in the figure is from the ASCII display to the common code for the workstation controller. The ASCII display sends data to the workstation controller when you press keys on the ASCII keyboard. An example of the type of data passed to the workstation controller for particular keys is shown in Figure 15 on page 82.

The ASCII-specific code in the workstation controller provides two paths for the processing of inbound data. One path handles the mapping of ASCII code values associated with graphic characters, while the other path handles mapping ASCII control characters and control character sequences.

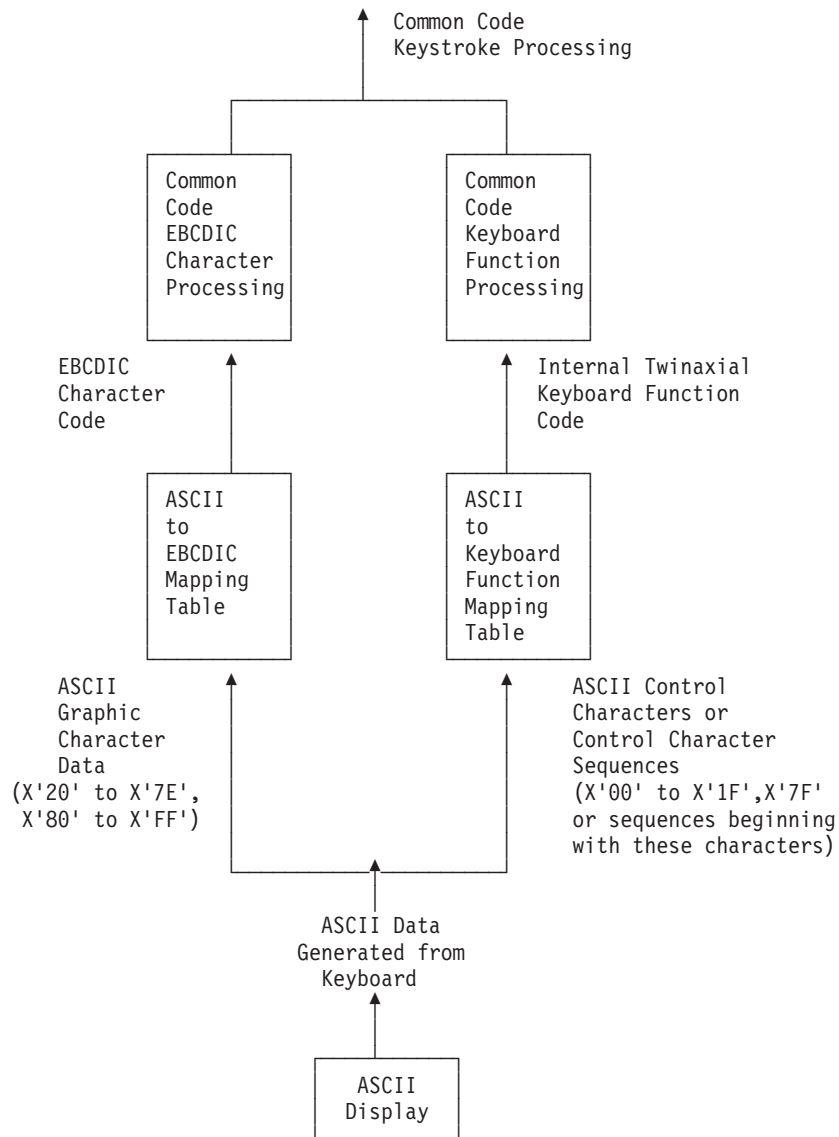


Figure 18. ASCII Display Keyboard Mapping Tables

## Mapping ASCII Graphic Character Data

The ASCII workstation controller uses the ASCII-to-EBCDIC mapping table to handle the mapping of ASCII code values for graphic characters.

Using the ASCII-to-EBCDIC mapping table, the workstation controller converts an ASCII character code value in the range '20'X through 'FF'X into a single EBCDIC character code value. The particular ASCII-to-EBCDIC mapping table used depends on the ASCII character set used by the display and the EBCDIC code page associated with the national language configured for the display. Using the workstation customizing functions, you can customize the ASCII-to-EBCDIC mapping table that the ASCII workstation controller uses to support an ASCII display configured for a particular national language.

## Mapping ASCII Control Characters and Control Sequences

The ASCII workstation controller uses the ASCII to keyboard function table to map ASCII control characters and control character sequences from the ASCII display keyboard to the internal processing codes used by the workstation controller common code.

When the data received from an ASCII display is a control character or a character sequence beginning with a control character, the ASCII workstation controller compares that data with information in the ASCII to keyboard function mapping table to determine whether or not it matches a mapping sequence in the table. The workstation customizing functions allow you to customize this table. Control characters and control sequences are mapped to one of the following:

- A twinaxial display function key request
- A local function supported by a display, such as a screen refresh, toggle indicator, or a terminal disconnect
- A request to set the state for processing subsequent data from the device

**Mapping Twinaxial Display Function Key Requests:** The twinaxial display function key request is the primary mapping function provided by this table. When the incoming data matches the information specified in the table for a function key request, a code representing the requested twinaxial keyboard function is generated and sent to the common keystroke processing code in the ASCII workstation controller.

When customizing an ASCII to keyboard function table for twinaxial display function key requests, you can be sure that the workstation customizing functions generate the correct internal code for the function key specified. You only need to be concerned with specifying the ASCII command or control sequence for a given function key tag.

Table 30 on page 121 shows the workstation customizing tags you can use to customize the twinaxial keyboard functions with the ASCII to keyboard function mapping table.

**Mapping Local ASCII Display Functions:** The ASCII workstation controller supports three local display functions unique to using a display in an ASCII or asynchronous environment. The ASCII display calls these local display functions using a predefined key sequence that you enter from the keyboard. These functions are local to the ASCII workstation controller and the ASCII display. The following paragraphs describe the local display functions:

### Screen Refresh Functions

When this function is called, the ASCII workstation controller retransmits all the data required to display the current image on the screen. This information is maintained by the internal screen image buffer of the ASCII workstation controller. To specify this function or change the way it is called, use the SCNREFRESH (screen refresh) tag following the DKBDTBL (keyboard function table) tag.

### Terminal Disconnect Function

When this function is called, the ASCII workstation controller internally simulates a device power-off and power-on sequence for a display. When a display is attached by way of remote modems to the ASCII workstation controller, this ends or drops the remote connection. To specify or change the way this

function is called, use the DISC (terminal disconnect) tag following the DKBDTBL (keyboard function table) tag.

### **Toggle Display Indicators**

Twinaxial conditioning indicators are emulated on ASCII displays by showing an asterisk character in the last column of the display. The last column of rows 8–18 are reserved to indicate which display status conditions are currently active; for example, you may be in insert mode, input may be inhibited, or your keyboard may be in a certain shift state. When you turn on the display of indicators, data that might normally appear in these locations on the screen is overlaid by either an asterisk, indicating a status condition is active, or a blank, indicating a status condition is not active. When the indicators are turned off, the data that would normally appear in those locations is displayed. To specify or change the way this function is called, use the TOGIND (toggle display indicator) tag following the DKBDTBL (keyboard function table) tag.

**Note:** Character data that is overlaid by the conditioning indicators is still present in the internal screen buffer of the ASCII workstation controller. The data is not lost to an application.

**Setting the State for Inbound Data Processing:** Some other general types of functions specified in the ASCII to keyboard function mapping table are functions to set the state for processing inbound data. The following list describes the three functions for setting the state that you can specify using the workstation customizing functions.

- **Shift-Out State:** This function sets the ASCII workstation controller into a shift-out state for this display. When this state is set, ASCII character data received from the display in the range from '20'X through '7E'X is mapped to EBCDIC character data as though the ASCII character received is in the upper range of the ASCII character set ('A0'X through 'FE'X.) This function may be set by the SHIFTOUT (shift-out) tag following the DKBDTBL (keyboard function table) tag.

**Note:** This state is normally used with ASCII displays that have an ASCII code page covering a range of character values from '20'X through '7E'X and 'A0'X through 'FE'X, but are operating in 7 bit mode which only allows a maximum value of '7F'X to be specified. The ASCII display uses the Shift Out control character to switch to the higher range of the code page.

- **Shift-In State:** This function sets the ASCII workstation controller into a shift-in state for this display. When this state is set, ASCII character data received from the display in the range from '20'X through '7E'X is processed as character data. If the display has previously been set to the shift-out state, this resets it. This function may be set by the SHIFTIN (shift-in) tag following the DKBDTBL (keyboard function table) tag.
- **Set Read Status State:** This function sets the ASCII workstation controller into a read status state for an ASCII display. When the attached display is an IBM ASCII display with an auxiliary printer configured for the display, the workstation controller periodically sends the display a command to check whether a printer is attached and powered on at the auxiliary port on the display. IBM ASCII displays return a five-byte response to this command. When the ASCII workstation controller detects the first two bytes of this response, it goes into read status state, verifying that the remaining bytes of the response have been received correctly. If the response data indicates that the printer is powered on, the power-on status for the auxiliary printer is sent back to the AS/400 system and the controller stops sending the read status command to the display.

The first two bytes of the read status response from the display are specified in the ASCII to keyboard function table by the READSTS (read status) tag that follows the DKBDTBL (keyboard function table) tag. For more information about using these tags, and the restrictions on specifying the READSTS tag, see “Working with the ASCII to Keyboard Function Mapping Table” on page 119.

## Mapping Tables for ASCII Display Screens

To format the ASCII display screen, the ASCII workstation controller generates ASCII data streams by mapping data, such as EBCDIC character codes, twinaxial display attribute control characters, and other control characters, from its internal screen image buffer into the appropriate string of ASCII characters and control characters.

The ASCII workstation controller uses two tables to perform this function, the update screen table and an EBCDIC-to-ASCII mapping table.

### ASCII Update Screen Table

The update screen table contains ASCII display command information that allows the workstation controller to perform the following operations for the ASCII display:

- Set the type of highlighting that will be used at given locations on the screen.
- Position the cursor.
- Set the position on the screen at which data should be written.
- Clear the screen.
- Sound the audible alarm at the display.
- Initialize display parameters (setup commands).

The update screen table also contains information specifying other commands that are sent to support certain special workstation controller functions, such as 132-column support and support for text symbols. This table also contains the information used to specify device support characteristics for the display, such as the way the positions on the screen are addressed and the way display highlighting is handled. You can use the workstation customizing functions to customize this table. See “Working with the Update Screen Table” on page 95 for more information about what you can specify in this table.

### EBCDIC-to-ASCII Code Mapping Table

The EBCDIC-to-ASCII mapping table converts an EBCDIC character code value from the internal screen image buffer into a single ASCII character code value. This table handles the processing of character code values from '00'X through 'FF'X, even though the range of valid EBCDIC characters that can be displayed is '40'X through 'FE'X. Table entries corresponding to attribute control characters ('20'X through '3F'X) are not used; however, entries for control characters in the range '00'X through '1F'X are used. These control characters usually are mapped into blanks. You can use the workstation customizing functions to customize this table.

For more information about this table, see “Working with the EBCDIC-to-ASCII Code Mapping Table” on page 117.

## Display Commands for Unsupported Device Types

If you want to create the appropriate customized mapping tables for an ASCII display that is not currently supported by the ASCII workstation controller, you need to specify data in the ASCII display mapping tables that is probably quite different from the data that is retrieved from the source tables on the system. This is especially true for the ASCII to keyboard function table and the update screen table. For the update screen table, it is especially important that certain commands be present in the table. Without those commands, the ASCII workstation controller cannot perform the twinaxial device emulation functions.

At a minimum, you must specify commands for the following tags in an update screen table to obtain a minimal level of ASCII device support:

- CLRSCN (Clear Screen command)
- CSRADR (Set Cursor Address command)

If only these two commands are specified, basic 24x80 display support is provided on an ASCII display. However, there is no highlighting support for the screen. If the ASCII display does support highlighting on the screen, then the attribute commands should also be specified (ATRCMD tag). Most ASCII displays also support a command to sound the display alarm, so the ALARM tag can usually be specified also.

In most cases, you can obtain an acceptable level of display support by specifying the data for the CLRSCN, CSRADR, and ATRCMD tags (and possibly the ALARM tag). For more information about these commands and their associated tags, see the following sections:

- “Clear Screen Command” on page 106
- “Set Cursor Address Command” on page 106
- “Attribute Command (ATRCMD) Tag” on page 111
- “Sound Alarm Command” on page 107

---

## Customizing Restrictions for ASCII Displays

When considering the customizing of an ASCII display station, keep in mind the following restrictions of the workstation customizing functions. Read these carefully before you continue to customize an ASCII display.

- An unsupported ASCII workstation must have characteristics that are similar to at least one of the supported ASCII workstations for the workstation customizing functions to work for you. If you do not have the reference books for any of the supported ASCII displays to use to compare characteristics with your unsupported display, you can check the general characteristics for supported ASCII displays in the *ASCII Work Station Reference*. If you cannot find a supported ASCII display that has similar characteristics to your display, you should select the IBM 3101 display as the device type when you retrieve your workstation customizing source. The 3101 ASCII display is the simplest of all the IBM ASCII displays. (See Appendix D. Setting Up to Customize a Display for a procedure to help you get the unsupported workstation to provide minimal function.)
- The ASCII workstation controller has a limited amount of space available for the ASCII to keyboard function table. The ASCII to keyboard function table that is downloaded to the ASCII controller for a given display has a variable length



depending on the length of the ASCII control sequences that are specified and the number of keyboard function tags that are specified. When you are customizing an ASCII to keyboard function table, the workstation customizing functions inform you whether the customized table that is created is too large. If this occurs, you need to either delete some of the keyboard function tags from the source, or select ASCII control sequences for mapping that are shorter in length.

- The ASCII to keyboard function mapping table and the update screen table can vary in size depending on the data you specify in these tables. The amount of storage available in the ASCII workstation controller for these tables is limited, and error messages are sent to the job log if the size of the tables you customize is larger than the size allowed by the workstation controller.
- Many 7-bit displays, like the VT-52, do not support all the different national language characters, and you may not be able to display some special characters. Use the reference book for the ASCII display to verify the characters the display is capable of supporting before you begin to customize it.
- When customizing the highlighting attributes for an ASCII display screen, the display must support highlighting functions on the screen in a way that agrees with either character-based or field-based highlighting. These are the methods that the ASCII workstation controller uses to handle highlighting attributes for an ASCII display. These types of highlighting are described in “The Highlighting Support Parameter (CHARATR)” on page 96.

The appearance of data on the screen may not be correct if the display highlighting does not function in a manner consistent with one of these two methods. For example, some ASCII displays that support character-based highlighting do not change the appearance of a position on the screen when the current highlighting characteristic has been changed, but the character being written is a blank (ASCII '20'X). The ASCII workstation controller's character-based highlighting support assumes that a position on the screen takes on the appearance of the current highlighting characteristic regardless of which character is being written on the screen.

In some situations, the ASCII workstation controller sends blank characters to clear certain sections of the screen. When using an ASCII display that works in this way, you would probably see the highlighting attributes from previous displays lingering when moving from one display to the next. For such ASCII displays, you may want to remove the ASCII attribute mapping specifications that result in this type of appearance on the screen from your customizing source.

- The READSTS (read status keyboard function) tag appears in the ASCII to keyboard function table when you retrieve your workstation customizing source for an IBM ASCII display (except for the IBM 3101). In general, you should not change this tag and its data when it appears in your workstation customizing source.

When you do change the ASCII control sequence for the READSTS tag, the following restrictions apply:

- Only 2 bytes should be specified for this tag.
- The format of the read status data returned to the workstation controller by the ASCII display must be similar to the format which the ASCII workstation controller expects from an IBM ASCII display:
  - Read status response must be 5 bytes in length
  - Bytes 3 and 4 of the response should contain the status response information.
  - The fifth byte of the response must contain the line turnaround character (LTA) with a value of '03'X.

- The SHIFTOUT (set shift-out) and SHIFTIN (set shift-in) keyboard function tags specify the control character (or control character sequence) that the ASCII workstation controller uses to switch back and forth between mapping inbound ASCII characters from the lower and upper ranges of ASCII character spaces. You should be sure to specify both of these tags, if you decide to use them. When only one of these tags is specified, an ASCII display user can get locked in a state where the ASCII characters from the keyboard are not mapped correctly.
- If you are using port sharing for your ASCII display connections, there are some restrictions when using a workstation customizing object. Device type detection is not supported when you specify a customizing object in the device description; however, line speed, word length and parity checking are supported. The *ASCII Work Station Reference* provides recommendations for the setup of your display and more information about ASCII port sharing for supported combinations of line speed, word length, and parity.
- When adding or changing tags in a workstation customizing source, you cannot specify a substring of the hexadecimal data for one tag as the hexadecimal data for another tag. This can produce unpredictable results. For example, the tag for the F1 key shown in Figure 19 has a data value of '1B31'X. The tag for the F10 key has a data value of '1B3130'X. This could cause the controller to map the F10 key to the function for the F1 key or map the F1 key to the function for the F10 key.

```

>
<:FKEY
    KEY = F1
    DATA = '1B31'X. /*Substring of F10 key data*/
:FKEY
    KEY = F10
    DATA = '1B3130'X.
    .
    .
    .

```

Figure 19. Source Code Showing Data Substring Restriction

- Most ASCII workstations also provide functions that are local to the display; because these functions are local, they cannot be customized. These functions do not send codes to the ASCII workstation controller.

---

## Determining Which ASCII Display Tables to Customize

The OS/400 workstation customizing functions allow you to customize an ASCII display by changing the hexadecimal values in the following mapping tables:

- ASCII to keyboard function mapping table (DKBDTBL tag)
- ASCII-to-EBCDIC mapping table (DASCTBL tag)
- Update screen table (DSCNTBL tag)
- EBCDIC-to-ASCII mapping table (DEBCTBL tag)

The tables used by an ASCII display are downloaded to the ASCII workstation controller at the time that the display is varied on. To accommodate the variety of device types, EBCDIC character sets, and ASCII character sets that the ASCII workstation controller must work with, there are a large number of tables stored on the system. When you retrieve and edit the source for an ASCII display, all four of the tables required to support a given ASCII display configured for a particular language are retrieved and ready to be changed.



If you want to change both the keyboard mappings and the way that characters are displayed, you may need to change all four of the tables the ASCII workstation controller uses to map data.

When you want to change only the way a character or characters appear on the display (outbound processing), you need to change the following tables in the workstation customizing source you retrieve:

- Update screen table
- EBCDIC-to-ASCII mapping table

When you want to change only the way the keyboard is interpreted (inbound processing), you need to change the following tables in the workstation customizing source you retrieve:

- ASCII to keyboard function mapping table
- ASCII-to-EBCDIC mapping table

**Note:** The ASCII workstation controller currently has restrictions on the language types that may be configured for an unsupported ASCII device type. Also, there are restrictions, regardless of whether the device is a supported or unsupported ASCII display, on selecting certain language types supported by the twinaxial workstation controller. Almost all such restrictions are removed when you specify a customizing object during device configuration. Using the workstation customizing functions, you can create a set of mapping tables to properly support an unsupported ASCII display for a national language other than US English (USB) or US International (USI).

The workstation customizing functions do not support the customization of double-byte character set languages. Restrictions for the Katakana language type still exist and are described where applicable.

---

## Working with the Tag Language for ASCII Displays

When the device class parameter specified for the RTVWSCST command is an ASCII display (DEVCLASS = ASCIIDSP), your source structure looks like the following:

```

:WSCST DEVCLASS=ASCIIDSP.

:DASCTBL with parameters. /*ASCII-to-EBCDIC mapping table*/

:DKBDTBL.                /*ASCII to Keyboard mapping table*/
.
.
keyboard function tags    /*tags with parameters*/
.
.
.

:DEBCTBL with parameters. /*EBCDIC-to-ASCII mapping table*/

:DSCNTBL with parameters. /*Update screen table*/
.
.
update screen tags        /*tag with parameters*/
.
.
.

:EWSCST.

```

Figure 20. Source Structure for ASCII Displays

The primary tags in the workstation customizing source for an ASCII display are the following:

DASCTBL	ASCII-to-EBCDIC mapping table tag
DKBDTBL	ASCII to keyboard function mapping table tag
DEBCTBL	EBCDIC-to-ASCII mapping table tag
DSCNTBL	Update screen table tag

The default values for the parameters associated with a given tag depend on the device type you specify when you retrieve the workstation customizing source. These tags can occur in any order within the source file member; however, the secondary tags must follow the appropriate primary tag.

When a primary tag is missing from the source, the system default table associated with the missing primary tag is used. This is based on the device type and national language type you specified when you used the RTVWSCST command.

When a DKBDTBL tag is present in the source, but has no keyboard function tags following it, no keyboard functions are mapped when the workstation controller uses this customizing object. This may cause unpredictable results.

When a DSCNTBL tag is present in the source, but has no update screen tags following it, no functions to update the screen are mapped when the workstation controller uses this customizing object. It is probable that no data will appear on the screen when this occurs.

---

## Using the Tags to Customize an ASCII Display Screen

The following sections describe the tags you use to customize the outbound processing for an ASCII display. These tags provide the commands and attributes that the ASCII display uses to show data received from the AS/400 system.

### Working with the Update Screen Table

The update screen table contains information about the command sequences the ASCII workstation controller sends to an ASCII display in the process of updating the screen. Among the types of commands that are sent to the display are commands to clear the screen, position the cursor, and control highlighting. This table also contains information indicating the different support characteristics of the ASCII display.

The update screen table used to support an ASCII display is unique to the ASCII device type. It contains commands specific to that ASCII display. You specify the data for the update screen table by changing the hexadecimal values for associated tags in the workstation customizing source you retrieved for the ASCII display.

The following sections describe the tags and commands that allow you to set up the most basic screen characteristics. As previously mentioned, these may be the most important commands you use when using the workstation customizing functions with an unsupported ASCII display.

#### Update Screen Table (DSCNTBL) Tag

The update screen table tag, DSCNTBL, defines the screen table used to update an ASCII display screen. The syntax for this tag is:

```
:DSCNTBL
  CHARATR = FIELD|CHAR
  ADDRMOD = CHAR|BINARY
  TEXTSYM = NOSUPPORT|SUPPORT
  AUTOSCL = NO|YES.
```

*Figure 21. Syntax for the Update Screen Table Tag*

**Note:** The default values for the following parameters depend on the device type you specify when you retrieve the workstation customizing source.

#### CHARATR (Character)

An optional parameter. Specifies whether or not the display supports highlighting on the screen on a character basis or on a field basis. The default for this value depends on the ASCII display you specify for the device type when you retrieve the workstation customizing source. (For more information about the field or character basis, see “The Highlighting Support Parameter (CHARATR)” on page 96.)

FIELD	The display that the source is to customize supports highlighting on the screen on a field basis.
CHAR	The display that the source is to customize supports highlighting on the screen on a character basis.

#### ADDRMOD (Address mode)

An optional parameter. Specifies whether the addressing is by ASCII numeric

characters or binary values.

CHAR	Addressing is by numeric characters.
BINARY	Addressing is by binary values.

**TEXTSYM (Text symbol)**

An optional parameter. Specifies whether text symbols are supported.

NOSUPPORT	Text symbols are not supported.
SUPPORT	Text symbols are supported.

**AUTOSCL (Automatic scrolling)**

An optional field. Specifies whether automatic paging is supported.

NO	Automatic paging is not supported.
YES	Automatic paging is supported.

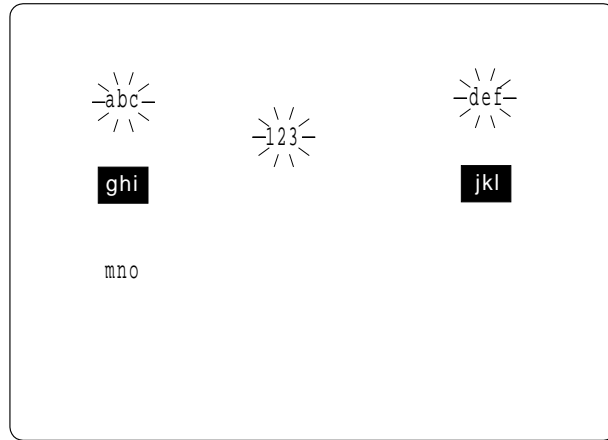
The DSCNTBL tag is immediately followed by a number of individual update screen tags, which make up the table entries. The absence of a specific update screen tag after the DSCNTBL tag implies that particular update screen function will not be mapped. When the same update screen tag occurs in an update screen table multiple times following a DSCNTBL tag, warning messages are sent to the job log for each occurrence. The customizing object then uses the last occurrence of the update screen tag in the source. The only exception to this is the SCNSIZE (screen size) tag, which may appear with different values for the size of the screen up to three times in the update screen table.

The following sections describe the parameters for the :DSCNTBL tag in more detail.

**The Highlighting Support Parameter (CHARATR):** This parameter specifies whether the device supports highlighting on the screen on a field basis or a character basis.

*Field-Based Highlighting:* For field-based highlighting on an ASCII display, entire regions or fields of data on the screen are automatically shown with a particular highlighting characteristic (for example, blinking, reverse image, or underscore) when commands to set these characteristics are sent to the screen. The commands are directed to specific addresses on the screen that are determined by the current cursor position on the screen. When a command to set the highlighting on the screen for a specific position is sent, all data on the screen is shown with the selected highlighting from that position to the next position on the screen at which a highlighting attribute is defined.

As an example, assume that commands to set highlighting for three positions on the screen have been sent to an ASCII display that supports field-based highlighting as shown in the following figure:



RV2H476-0

*Figure 22. Setting Highlighting Attributes for the Screen*

For field-based highlighting on an ASCII display, all data between the limits of where highlighting on the screen is defined are displayed with the highlighting attribute defined for the beginning of that region. Therefore, in this example, the characters `abc`, `def`, and `123` are displayed as blinking data. The actual field defined to use the blinking attribute begins just before the character `a` and ends just after the character `3`. The characters `ghi` and `jkl` are shown as reverse image data. This field begins just before the character `g` and ends just after the character `l`. The remainder of the display is treated as 1 large field and is set to normal highlighting. Therefore the characters `mno` are displayed with normal highlighting.

If a command is now sent to set the highlighting on the screen at row 5, column 15 (between `abc` and `def`) to underscore, all characters between this position and the next highlighting attribute position (row 7, column 10) are now shown as underlined data. Although the underlined highlighting is only shown for the characters `def` and `123`, the actual field that is highlighted begins with the character `d` and ends with the last space before the character `g`.

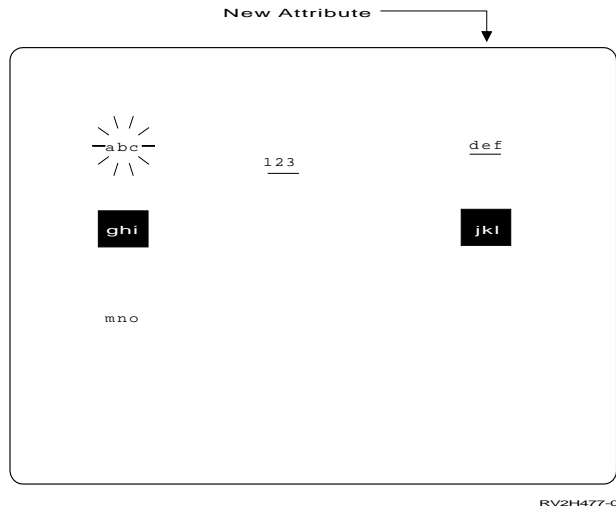


Figure 23. Adding New Highlighting Attributes

*Character-Based Highlighting:* On ASCII displays that support character-based highlighting on the screen, a given character on the screen is displayed with a particular type of highlighting only when that character is shown on the screen following the receipt of a command to set the desired type of highlighting. Sending the command to set the type of highlighting on the screen, by itself, does not change the way that the data currently on the screen is highlighted. However, all character data that is shown on the screen following the command to set the highlighting is shown with the selected highlighting. This highlighting is used to display all characters subsequently written on the screen, until another command to set the highlighting to something different is received by the display screen.

Therefore, sending a command to set the highlighting on the screen on a display that supports character-based highlighting does not change the way that data currently shown on the screen is shown. For example, assume that the following display has been sent to such a display screen with the data highlighted as shown in Figure 24 on page 99.

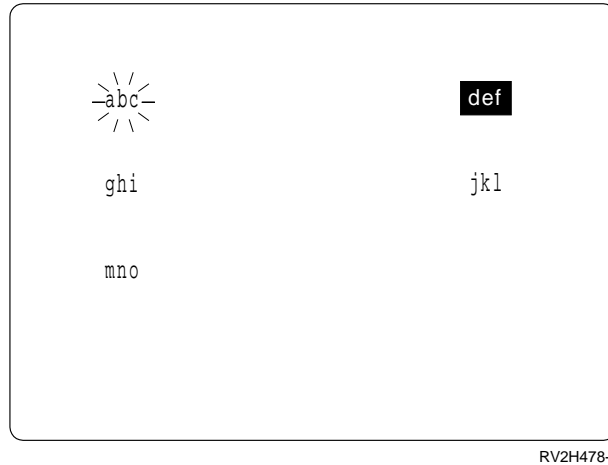


Figure 24. Displaying the Highlighted Characters (1)

To write the characters 123 on the screen between the abc and def with the underscore highlighting, the following sequence of commands must be sent to the screen:

1. Position the cursor to the appropriate address on the screen between the abc and def characters.
2. Set the highlighting to underscore.
3. Write the characters 123.

The resulting data on the screen would appear as follows:

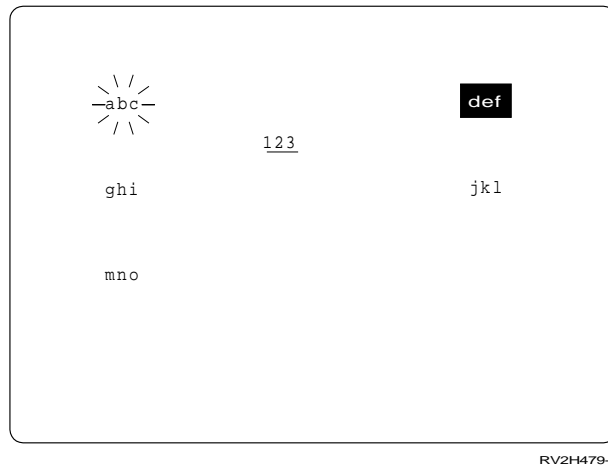


Figure 25. Displaying the Highlighted Characters (2)

Note that the data previously shown on the screen does not change. To write the characters def on the screen to be shown as underlined characters in this example, the following additional commands must be sent following the three listed previously listed.

1. Position the cursor from the current screen address to the location on the screen where the character d is shown.

2. Rewrite the characters def on the screen.

When selecting the CHARATR parameter for an ASCII display, you should refer to the book for the display to determine whether highlighting on the screen is performed on a field or character basis. You can then set this parameter appropriately and use the ATRCMD (attribute command) tag to allow screen highlighting.

**The Address Mode Parameter (ADDRMOD):** This parameter specifies whether data for the ASCII display is addressed by ASCII decimal numeric characters or binary values.

*Decimal Numeric Character Addressing:* For ASCII displays that support addressing by numeric characters, the commands for positioning data on the screen require the address data to be specified as numeric character ASCII codes for each digit in the address.

For the decimal numeric character addressing format, the address on the screen is represented by separate character or character sequences for the row and column of the address. The character or character sequence consists of ASCII codes for the numeric characters (graphic characters 0 through 9, represented by the ASCII codes '30'X through '39'X).

For example, a row value of 18 is specified using a sequence of ASCII characters '31'X (for 1) followed by '38'X (for 8). A column address of 63 is represented by the sequence '36'X (for 6) followed by '33'X (for 3). Each row or column value is then represented by a separate ASCII code for each order of ten in the row or column value. For either a row or column value, there is one numeric character code for the tens unit and one numeric character code for the ones unit. There is also a separate character code for a column hundreds unit, if needed.

When specifying data for the command to set the cursor address on a display screen that uses numeric character addressing, the position of each address unit in the command sequence must be specified. This is shown in the following example.

Assume that the general format for setting the cursor address for an ASCII display that uses numeric character addressing is as follows:

```
ESC [ R1R2 ; C1C2 f
1B 5B - - 3B - - 66
```

R<sub>1</sub>R<sub>2</sub> represent two numeric character values that specify the row address and C<sub>1</sub>C<sub>2</sub> represent two numeric characters that specify the column address. For example, R<sub>1</sub>R<sub>2</sub> would be '3132'X for a row address of 12, C<sub>1</sub>C<sub>2</sub> would be '3637'X for a column address of 67. When the ASCII workstation controller sends this command to the screen, the values in this command for the row and column address at any time depend on the position on the screen that is currently being addressed.

When specifying this command for the CSRADR (set cursor address) tag for the update screen table, some default values need to be specified for the row and column values in the Data parameter of the command. The default values specified should represent a screen address of row 1 and column 1. The following shows how the CSRADR tag should be specified for this particular example:

```
:CSRADR
  ROWTENS = 3
```



```
ROWONES = 4
COLHUNDS = 0
COLTENS = 6
COLONES = 7
DATA = '1B5B30313B303166'X.
```

**Notes:**

1. It is very important that the address on the screen for the data specified in the command corresponds to a screen address of row 1 and column 1. The ASCII workstation controller saves the row and column information specified here and later uses these saved values as a base in calculating the row and column values to be used when sending the Set Cursor Address command for a particular screen address. Characters may not be positioned properly on an ASCII display screen if the row and column values specified do not correspond to row 1 and column 1.
2. The ROWTENS, ROWONES, COLTENS, and COLONES parameters are each set to the offset into the DATA sequence of the byte representing that address unit. The third byte in the data is the tens unit of the row address, so ROWTENS is set to 3. The sixth byte in the DATA sequence is the tens unit column address, so COLTENS is set to 6.

Some ASCII displays use a zero-based addressing scheme for addressing data on the screen. For example, the first screen position may be referenced by the display as row 0 and column 0. In this case, the initial values specified in the set cursor address command should reflect this zero-based addressing scheme. For this example, the Data value specified on the CSRADR tag for a display that uses zero-based addressing would look like the following:

```
:CSRADR
DATA = '1B5B30303B303066'X.
```

3. The COLHUNDS byte has been set to zero in this example. This indicates that the Set Cursor Address command format for this device does not provide for a hundreds unit in the column address. This is the case for most ASCII displays supported by numeric character addressing. When specifying the CSRADR tag, you should be sure not to set the COLHUNDS parameter unless the Set Cursor Address command format for the display absolutely requires it.
4. None of the ASCII displays that use numeric character addressing and that are currently supported by the ASCII workstation controller have a hundreds parameter byte in their column address. The COLHUNDS parameter will always be zero when retrieving the source tables for these displays.

*Binary value addressing:* For ASCII displays that support binary value addressing, the address locations on the screen are specified in commands for positioning data by ASCII character code values that are arbitrarily assigned to row and column positions. Most ASCII displays that support binary addressing assign the ASCII codes for graphic characters ('20'X through '7F'X) to consecutively represent a given row or column position. Therefore, the first ASCII character code, '20'X, is assigned for a row or column value in the command for positioning data if the data were to be positioned at row 1 or column 1. Following from this, a value of '21'X would represent a row or column address of 2, '22'X would represent a row or column address of 3, and so on.

Other displays that use binary value addressing for their Set Cursor Address command may use a range of ASCII character code values other than '20'X through '7E'X. For example, some ASCII displays use a range of ASCII character codes

beginning at '00'X rather than '20'X. You should specify the value corresponding to an address of 1 for the data command sequence of the CSRADR (set cursor address) tag.

When specifying data for the Set Cursor Address command of a display that uses binary value addressing, the position of the row and column address bytes in the command sequence must be specified. These positions are indicated by the ROWTENS and COLHUNDS parameter bytes of the CSRADR tag. This is shown in the following example.

Assume that the Set Cursor Address command for a display has the following format:

```
ESC X Pr Pc
1B 58 - -
```

Pr and Pc are single-byte values representing the specific row and column to be addressed. For this example, assume that the range of address values starts with '20'X (so that a row or column value of 2 is specified by '21'X, and so on.).

When specifying this command on the CSRADR tag, the default row and column values specified should be set to a screen address of row 1, column 1. The following lists the specification of the CSRADR tag for this example:

```
CSRADR
ROWTENS = 3
ROWONES = 0
COLHUNDS = 4
COLTENS = 0
COLONES = 0
DATA = '1B582020'X.
```

**Notes:**

1. Only the ROWTENS and COLHUNDS parameters should be set to nonzero values. The values set for each indicate which bytes in the command sequence are the row and column parameters, respectively.
2. This command is used to address data on the screen using binary value addressing whenever the position on the screen being addressed is in columns 1 through 80.
3. Most ASCII displays attached to the ASCII workstation controller are supported as 24-row by 80-column screens. If the screen uses binary value addressing, but is being supported by the workstation controller as a screen with 132-column capability, this command is not used to address data beyond column 80. Instead the Extended Set Cursor Address command (specified by the XCSRADR tag) is used to address data in columns 81 through 132.
4. If the range of values used by the screen for its row and column address values had been different, the default row and column values specified for the Data value would still be set to represent a screen address of row 1 and column 1. For example, if the range of address values started at '1F'X instead of '20'X the data value in this example should have been specified as DATA='1B581F1F'X.

Whether supported by numeric character addressing or binary value addressing, specifying a Set Cursor Address command in the update screen table is a basic requirement for any ASCII display that is to be supported by the ASCII workstation controller. When customizing the update screen table for a supported ASCII display,

this tag should not be removed. Likewise, when customizing this table for a new ASCII device type (one not supported by the ASCII workstation controller), the update screen table tags you specify should always include the CSRADR tag.

The reference book for your ASCII display should describe the type of addressing supported by the display. You should set the ADDRMOD parameter to correspond with what your display supports.

Be aware that the way you set the ADDRMOD parameter determines how the ASCII workstation controller subsequently uses data that is specified for the CSRADR tag in the update screen table. The format of the data specified for the CSRADR tag should agree with the type of addressing mode set by the ADDRMOD parameter. After you have selected either numeric character or binary addressing, you should specify the data for the Set Cursor Address tag (CSRADR) in the update screen table to agree with the selected type of addressing. See “Set Cursor Address (CSRADR) Tag” on page 106 for a complete description of the format you should use for the CSRADR tag for the different types of addressing.

**The Text Symbol Parameter (TEXTSYM):** This parameter specifies whether or not the ASCII workstation controller displays text symbols on this ASCII display. Text symbols are graphic symbols representing control characters that may appear on a display when using the OfficeVision/400 text editor on the AS/400 system.

As an example, text symbols are supported by the ASCII workstation controller for the IBM 3151 displays. Table 26 shows an example of some of the graphic characters that are shown on a 3151 ASCII display for the listed control characters.

Table 26. Graphics for Text Control Characters

Text Control Character	IBM 3151 Displayed Graphic
Carrier Return	␣ (box lower-right)
Required Carrier Return	◀ (solid left triangle)
Required Tab	▶ (solid right triangle)
Tab	␣ (box right junction)

The characters shown in Table 26 are in the graphic character set for the 3151 ASCII display. The ASCII workstation controller, when required by the OfficeVision/400 editor, sends commands to the 3151 display to allow these graphic characters to be displayed.

If text symbols support is not specified (TEXTSYM=NOSUPPORT), the ASCII workstation controller never sends commands to display any text symbols. The OfficeVision/400 editor can still be used, but no graphic character appears for any of the text control characters.

If text symbols support is specified (TEXTSYM=SUPPORT), the display should support a special graphics character set (containing, for example, such graphics as line drawing characters) and a command for selecting this graphics character set. When you specify this support, the ASCII workstation controller uses the data specified for several of the other update screen table tags also. Therefore, these tags and data should be specified in your workstation customizing source when you indicate text symbols support. The affected tags are:

CARRTN  
RQDCARRTN

HLFIDXUP  
HLFIDXDN  
PAGEND  
RQDSPC  
TAB  
RQDTAB  
STOPCODE  
WORDUS  
GCS

The last tag listed (set graphic character set, GCS) specifies the command that the ASCII workstation controller sends to an ASCII display to select the graphic character set of the display. The other tags listed specify the character code values in that graphic character set to which each of the text control symbols is mapped. See the descriptions of these tags in “Update Screen Tags” for more information about the specification of text symbols support.

*Mapping Text Symbols:* Of the update screen table tags shown in the previous list, the TAB (tab function) and GCS (graphic character set) tags do not indicate the way that text control characters are mapped. The remaining update screen table tags specify how text control characters are to be mapped by the ASCII workstation controller. For each of these tags, a single ASCII character code value should be specified in the data parameter. The ASCII character code value should correspond to the value assigned to a graphic character in an ASCII display's graphic character set. The ASCII workstation controller sends a command to select the graphic character set whenever it is going to display one of these text symbols. This command is specified by the GCS tag.

When the ASCII workstation controller selects the ASCII graphic character set, it assumes that the graphic character set is loaded into the upper range of an 8-bit ASCII character space (the range of ASCII codes from '80'X through 'FF'X). Data specified for the text symbol mapping tags should be within this range of values.

The data specified for the text symbol mapping tags is only used by the ASCII workstation controller when the text symbols parameter for the update screen table tag is set to indicate that text symbols are supported (TEXTSYM=SUPPORT).

**The Automatic Scrolling Parameter (AUTOSCL):** This parameter specifies whether the display automatically moves all the data on the screen up one line when data is written into the last screen position of the display.

If the ASCII display does not support this paging operation for the last screen position, this parameter should be set to NO. If the display does support paging, set the parameter to YES. When this parameter is set to YES, the ASCII workstation controller does not write data in the last screen position of the display.

The following sections describe the individual tags that you can specify following the DSCNTBL (update screen table) tag.

## Update Screen Tags

The tags described in this section allow you to specify the ASCII control sequence for an individual update screen function for an ASCII display. The update screen tags must follow the DSCNTBL (update screen table) tag in your source.

The DSCNTBL tag and its entries define the update screen table for your ASCII display. This table is limited to 512 bytes in size. The hexadecimal values for the update screen tags that make up the entries for this table can be quite large. Although the size restriction for many of the individual update screen tags is a maximum of 255 bytes, when you specify values of this size for more than two update screen tags you can run out of space in the update screen table for your display.

With some exceptions, the update screen tags have the same general syntax. The tags that are exceptions to the general syntax are the ATRCMD (attribute command), SCNSIZE (screen size), CSRADR (set cursor address) and XCSRADR (extended set cursor address) tags. The syntax for these tags is described separately.

The general syntax for an update screen function tag is shown in the following figure.

```
:xxxxx
      DATA = ASCII control sequence.
```

Figure 26. General Syntax for the Update Screen Tags

## DATA

A required parameter. Specifies the ASCII control sequence for the screen function. The maximum length of this value is 255 bytes, unless otherwise noted. This data must be coded as a hexadecimal value.

### ASCII control sequence

Hexadecimal values for mapping ASCII control sequences to ASCII display functions.

Table 27 lists the update screen function tags.

Table 27. Descriptions of the Update Screen Tags

Update Screen Tag	Description
ACS	Set ASCII character set
ALARM	Sound alarm command
CARRTN <sup>1</sup>	Carrier return
CLRSCN	Clear screen command
CSROFF	Set Cursor Display Off
CSRON	Set Cursor Display On
ENDBYP	End printer data bypass
GCS	Set graphic character set
HLFIDXDN <sup>1</sup>	Half index down
HLFIDXUP <sup>1</sup>	Half index up
INSCSR	Insert cursor command
NLCS	Set national language character set
PAGEND <sup>1</sup>	Page end
RQDCARRTN <sup>1</sup>	Required carrier return

Table 27. Descriptions of the Update Screen Tags (continued)

Update Screen Tag	Description
RQDSPC <sup>1</sup>	Required space
RQDTAB <sup>1</sup>	Required tab
STOPCODE <sup>1</sup>	Stop code
STRBYP	Start printer data bypass
TAB <sup>1</sup>	Tab
WORDUS <sup>1</sup>	Word underscore
<sup>1</sup>	For these tags, the associated DATA value must be no more than 1 byte in length. See "Update Screen Tags" on page 104 for information about coding these values.

## Clear Screen Command

This command is specified by the CLRSCN (clear screen) tag. It is one of the basic commands for setting up and using an unsupported ASCII display. The CLRSCN tag specifies a command that is sent to the ASCII display to clear or erase all data currently displayed on the screen.

In managing the appearance of data on an ASCII display, one of the operations most frequently done by the ASCII workstation controller is to clear the display screen. An ASCII display supported by the ASCII workstation controller depends on the existence of a valid command for clearing the screen in the update screen table so that the twinaxial device emulation works effectively. When customizing the update screen table for a display already supported by the ASCII work station controller, you should never delete the CLRSCRN tag and its associated hexadecimal data. When customizing the update screen table for a new or unsupported ASCII device type, the CLRSCN tag should always be present in the update screen table for a display.

**Set Cursor Address Command:** To use this command, you need to specify the CSRADR (set cursor address) tag in your workstation customizing source. This is one of the basic commands used for setting up and using an unsupported ASCII display. When this command is sent to an ASCII display to position the cursor or to set the screen address, all subsequent data received by the display appears beginning at that screen position.

The ASCII workstation controller supports two different formats for basic addressing of screen data on a 24-row by 80-column display screen. The format used is determined by the value you specify for the ADDRMOD parameter of the update screen table tag. Data for the CSRADR tag needs to be set differently depending on whether you select addressing by numeric characters or addressing by binary values. See "The Address Mode Parameter (ADDRMOD)" on page 100 for a more complete description of the two types of addressing and some examples of how the CSRADR tag could be specified for each.

**Set Cursor Address (CSRADR) Tag:** The CSRADR tag specifies the ASCII control sequence for the set cursor address command. The data you specify for this tag should provide the ASCII control sequence for positioning the cursor at row 1, column 1 on the screen. The ASCII workstation controller uses the values you specify here to calculate the offsets to the other screen addresses. Therefore, it is important that you specify the correct address information to be used as a base for



calculating the offsets correctly. For an example showing how this tag is used, see “The Address Mode Parameter (ADDRMOD)” on page 100. The syntax for this tag is:

```
:CSRADR
  ROWTENS = row position tens byte
  ROWONES = row position ones byte
  COLHUNDS = column position hundreds byte
  COLTENS = column position tens byte
  COLONES = column position ones byte
  DATA = ASCII control sequence.
```

Figure 27. Syntax for the Set Cursor Address Tag

**Note:** If one or more of these values do not apply to the device you are customizing, specify those values as 0 (zero).

### ROWTENS

A required parameter. Specifies the position of the Set Cursor Row (tens unit) byte in the control sequence. This value must be an integer. For binary value addressing, this specifies the position of the set cursor row byte in the control sequence.

### ROWONES

A required parameter. Specifies the position of the Set Cursor Row (ones unit) byte in the control sequence. This value must be an integer.

### COLHUNDS

A required parameter. Specifies the position of the Set Cursor Column (hundreds unit) byte in the control sequence. This value must be an integer. For binary value addressing, this specifies the position of the set cursor column byte in the control sequence.

### COLTENS

A required parameter. Specifies the position of the Set Cursor Column (tens unit) byte in the control sequence. This value must be an integer.

### COLONES

A required parameter. Specifies the position of the Set Cursor Column (ones unit) byte in the control sequence. This value must be an integer.

### DATA

A required parameter. Specifies the ASCII control sequence for the set cursor address function. The maximum length for this value is 255 bytes. This parameter value must be coded as a hexadecimal value.

#### *ASCII control sequence*

Hexadecimal values for the ASCII control sequence for the set cursor address function.

**Sound Alarm Command:** You can specify a command for sounding the audible alarm on an ASCII display in the update screen table using the ALARM (alarm) tag. For most ASCII displays, this command is the single ASCII control character with a value of '07'X (BEL). If necessary, you can specify a multicharacter sequence.

The audible alarm command is sent to the display at various times by the ASCII workstation controller, depending on the types of operations being performed at the display. For example, the alarm command is sent to alert you when unrecognized keyboard data is entered, when an operator error condition occurs, or possibly when a message waiting condition becomes active.

The ALARM tag is not required in an update screen table. If this tag is deleted, the audible alarm is never sounded at that ASCII display.

## Display Setup Commands

You can specify one or more setup commands using the SETUP update screen tag in your workstation customizing source. The SETUP tag allows you to specify a series of ASCII command sequences that are sent to an ASCII display to set the display to some initial state.

The control sequences you specify for this tag are sent to the display when the display is varied on. They are sent to the display again when the screen refresh function is called from the keyboard.

The data you specify for the setup command usually consists of ASCII display commands for initializing the state of the display, or for enabling or disabling display functions that you cannot otherwise set during the local setup of the ASCII display.

If a number of different ASCII display parameters must be initialized, you can set these different parameters by specifying the different ASCII command sequences for each command in consecutive hexadecimal data strings following the SETUP tag.

For example, separate commands are sent to an IBM 3151 display that allow the Reset key and the Print key to return data to the workstation controller when each key is pressed. These keys cannot be enabled during the device setup, but instead, must be enabled by sending command sequences to activate them. The command sequences to enable each key are as follows:

```
ENABLE RESET KEY: ESC ( : (1B 283A)
ENABLE PRINT KEY: ESC ) : (1B 293A)
```

Both of these commands can be specified in the setup tag as follows:

```
:SETUP DATA = '1B283A1B293A'X.
```

Note that the two different command sequences directly follow each other with no spaces in between. Additional command sequences to initialize other display conditions can be specified by simply adding the ASCII command sequences to the end of the data already specified for the setup tag.

When you specify more than one command sequence for the SETUP tag data, the ASCII workstation controller does not recognize the different command sequences specified as unique command sequences. The controller views the entire data string as a single command sequence and sends all the data to the display at the same time. Some ASCII displays support commands that require some delay before sending additional commands to the display. You should be aware that the display may not be able to handle all the individual commands specified in the SETUP data if one of the commands is one for which the display expects a delay before the next command is sent.

**Set ASCII Character Set Command:** You can specify the Set ASCII Character Set command using the ACS tag in the update screen table of your workstation customizing source.



This command selects the ASCII character set that is used for the lower range of an 8-bit ASCII character space. This covers the range of ASCII values for '00'X through '7F'X. For the IBM family of ASCII displays, this character space is defined as the G0 character space (see “ASCII Character Sets and Code Pages” on page 78 for the discussion of ASCII character spaces). When this command is specified, the ASCII workstation controller sends the command to the display to initialize the lower range of the character space when the device is varied on. This command is also sent when the screen refresh function is called from the keyboard.

Most ASCII displays already use the US ASCII character set for the lower range of an 8-bit character space, so in many cases, there is no need to specify this tag. However, you should specify this tag when the default character set in the lower range of the character space is required to be initialized for the display to function properly.

**Set National Language Character Set Command:** You can specify the Set National Language Character Set command using the NLCS (national language character set) tag in the update screen table section of your workstation customizing source. This command is sent to an ASCII display to select the national language character set for the upper range of an 8-bit ASCII character space ('80'X through 'FF'X.)

When you specify that text symbols are supported for a display, the ASCII workstation controller assumes that the upper range character space is to be shared between the national language character set and the special graphics character set. In this case, the national language character set is treated as the default character set for the upper range character space. When a text symbol needs to be displayed, the ASCII workstation controller replaces the national language character set in the upper range character space by sending the command to select the special graphics character set for the G1 space. After the commands to display the appropriate symbol are sent, the ASCII workstation controller sets the upper range character space back to the default by sending the command to select that national language character set.

When a display does not provide text symbols support, and the default character set used for the upper range character space is the character set you want for the language you are using, you do not need to specify the NLCS tag after the DSCNTBL tag in your source.

## Set Graphic Character Set Command

You can specify the Set Graphic Character Set command using the GCS (set graphic character set) tag in the update screen table of your workstation customizing source. This command is sent to an ASCII display to select a special graphics character set whenever text symbols are to be displayed.

The ASCII workstation controller assumes that when the special graphics character set is selected, it is loaded into the upper range of an 8-bit ASCII character space ('80'X through 'FF'X.)

**Note:** IBM ASCII displays refer to this character space as the G1 character space. See “ASCII Character Sets and Code Pages” on page 78 for more information about ASCII character spaces.

The ASCII display uses the support provided by the Set Graphic Character Set command when text symbols support is specified in the TEXTSYM parameter for

the DSCNTBL tag. When this parameter is set and the GCS tag is specified, your ASCII display should support different ASCII character spaces in a manner similar to the IBM 3151 and 316x displays.

## Set Cursor Display On and Set Cursor Display Off Commands

You can specify the Set Cursor On and Set Cursor Off commands by using the CSRON (set cursor on) and CSROFF (set cursor off) tags in the update screen table in your workstation customizing source. These commands are sent to an ASCII display to turn display of the cursor on or off.

Applications can define certain types of fields on the display screen where the cursor disappears when it is moved into that field. The ASCII workstation controller sends the command to turn the cursor off when such a field is entered. The command to turn it back on is sent when the cursor is moved out of the field.

When you specify the tags for these commands in an update screen table, you should be aware of the following:

- You should not specify a command to turn the cursor off without also specifying the command to turn it on. If the command to turn it off is the only one specified, the cursor disappears and does not come back after the first time the command to turn it off is sent.
- The command to turn the cursor on can actually be a command to set the cursor to a specific type, for example, a block cursor, an underscore cursor, or a blinking cursor. You should be aware that when such a command is sent to the ASCII display, it overrides any cursor style that you may have selected during the setup for the display. In this case, you should select a command for setting the cursor to a style that is not unpleasant to you when the cursor style override occurs.

**Insert Cursor Command:** You can specify the command to position the cursor by using the INSCSR (insert cursor) tag in the update screen table in your workstation customizing source. Some ASCII displays support the Insert Cursor command for positioning the cursor on the display separately from the command for positioning the data. For many ASCII displays, these commands are one and the same. IBM ASCII displays provide separate commands for positioning the cursor and positioning screen data. When the Insert Cursor command is sent to an ASCII display, it positions the cursor to the current screen address (as previously set by the Set Cursor Address command).

When the ASCII display positions the cursor to the same address that is set by the Set Cursor Address command, this tag does not need to be specified in an update screen table. If specified, the ASCII workstation controller uses this command for positioning the cursor. If specified for a device type other than an IBM ASCII display, the display should perform a function that is equivalent to the Insert Cursor command performed by the IBM displays.

**Start and End Printer Data Bypass:** You can specify the commands to start and end printer data bypass by using the STRBYP (start printer bypass) and ENDBYP (end printer bypass) tags in the update screen table in your workstation customizing source. These commands allow the ASCII workstation controller to support an auxiliary printer attached to an ASCII display. The workstation controller sends the command sequence specified on the STRBYP tag to the display before sending the data that is to be passed on to the printer. All subsequent data sent to the display should be sent to the printer until the workstation controller sends the command sequence to end printer bypass. When you specify these command sequences in

your workstation customizing source, be sure you specify both the start and end command sequences; otherwise, your results could be unpredictable.

## Display Attribute Commands

Applications sending data to a display attached to the AS/400 system also send attribute control characters that specify the way data for display on the screen is to be highlighted. These control characters are in the range of values from '20'X through '3F'X, and each value indicates a specific type of highlighting that would appear on a twinaxial display.

As part of its twinaxial device emulation function, the ASCII workstation controller maps these attribute control characters into ASCII command sequences that set the way data is to be highlighted on an ASCII display. This allows the workstation controller to format data on an ASCII display so that the highlighting is as close as possible to what it would look like on a twinaxial display.

You can map the attribute control characters by specifying the ATRCMD (attribute command) tag in the update screen table in your workstation customizing source. The ATRCMD tag allows you to specify the ASCII control sequence that is sent to set the highlighting for an ASCII display.

### Attribute Command (ATRCMD) Tag

The ATRCMD (attribute command) tag specifies an ASCII control sequence to set a highlighting attribute. The syntax for this tag is:

```
:ATRCMD
      CTLCHAR = control character
      DATA = ASCII control sequence.
```

Figure 28. Syntax for the Attribute Command Tag

#### CTLCHAR

A required parameter. Specifies a control character for a highlighting attribute. (For a listing of the control characters for highlighting an ASCII display, see Table 28 on page 112.)

##### *control character*

Hexadecimal value representing a highlighting attribute control character. The range of values is '20'X through '3F'X.

#### DATA

A required parameter. Specifies the ASCII control sequence for the function. The maximum length of this value is 255 bytes. This data must be coded as a hexadecimal value.

##### *ASCII control sequence*

Hexadecimal values for mapping a highlighting attribute control character to an ASCII control sequence.

The following table shows the highlighting codes that are associated with a twinaxial display:

Table 28. Control Characters for Highlighting an ASCII Display

Control Character	Monochrome Display	Color Display
'20'X	Normal	Green
'21'X	Reverse image	Green, Reverse image
'22'X	High Intensity	White
'23'X	Reverse image, High intensity	White, Reverse image
'24'X	Underscore	Green, Underscore
'25'X	Reverse image, Underscore	Green, Underscore, Reverse image
'26'X	High intensity, Underscore	White, Underscore
'27'X	Nondisplay	Nondisplay
'28'X	Blink	Red
'29'X	Reverse image, Blink	Red, Reverse image
'2A'X	High intensity, Blink	Red, Blink
'2B'X	Reverse image, High intensity, Blink	Red, Reverse image, Blink
'2C'X	Underscore, Blink	Red, Underscore
'2D'X	Reverse Image, Underscore, Blink	Red, Reverse Image, Underscore
'2E'X	High Intensity, Underscore, Blink	Red, Underscore, Blink
'2F'X	Nondisplay	Nondisplay
'30'X	Column Separators	Turquoise, Column separators
'31'X	Reverse image, Column separators	Turquoise, Reverse image, Column separators
'32'X	High intensity, Column separators	Yellow, Column separators
'33'X	Reverse image, High intensity, Column separators	Yellow, Reverse image, Column separators
'34'X	Underscore, Column separators	Turquoise, Underscore
'35'X	Reverse image, Underscore, Column separators	Turquoise, Reverse image, Underscore
'36'X	High Intensity, Underscore, Column separators	Yellow, Underscore
'37'X	Nondisplay	Nondisplay
'38'X	Blink, Column separators	Pink
'39'X	Reverse image, Blink, Column separators	Pink, Reverse image
'3A'X	High Intensity, Blink, Column separators	Blue
'3B'X	Reverse image, High intensity, Blink, Column separators	Blue, Reverse image
'3C'X	Underscore, Blink, Column separators	Pink, Underscore
'3D'X	Reverse image, Underscore, Blink, Column separators	Pink, Reverse image, Underscore
'3E'X	High intensity, Underscore, Blink, Column separators	Blue, Underscore
'3F'X	Nondisplay	Nondisplay

The default attribute mappings that the ASCII workstation controller uses for each supported type of display map the control characters so that the appearance of data on an ASCII display is as close as possible to what it would be on a twinaxial

display. These default mappings are contained in the workstation customizing source you retrieve from the system mapping tables. The workstation customizing functions allow you to change the attribute mappings, so that, if desired, the appearance of data on an ASCII display is quite different from what it would be on a twinaxial display.

**Notes:**

1. Different attribute control characters can be mapped into the same ASCII command sequence. This results in the same type of highlighting for different attribute control characters.
2. Attribute control character values of '27'X, '2F'X, '37'X, and '3F'X are special control characters that indicate the data following them is not displayed. The ASCII workstation controller performs special processing to ensure that the data associated with these control characters is not displayed. Mappings can be specified for these commands, but the ASCII workstation controller always forces data for these attributes not to be displayed.
3. Most ASCII displays do not support the exact same set of highlighting characteristics that may be supported on a twinaxial display. For example, most ASCII displays do not provide for a highlighting characteristic for column separators. You can substitute some other type of highlighting available on an ASCII display for showing such characteristics.
4. If you want to prevent the ASCII display from using an attribute command, the tags associated with those attributes need to be removed completely from the workstation customizing source. For example, the IBM 3101 display does not support attributes. When you retrieve the source for this display type, you can see that there are no ATRCMD tags in the source.

**Set Screen Size Commands**

The ASCII workstation controller can send commands to an ASCII display to set the screen to different sizes, depending on the current requirements of the device emulation. You specify the commands for setting the screen to different sizes using the SCNSIZE (set screen size) tag in the update screen table in your workstation customizing source.

**Set Screen Size (SCNSIZE) Tag:** The SCNSIZE (set screen size) tag specifies the ASCII control sequence for setting a different screen size. You should set the screen size based on the emulation you want to use. The syntax for this tag is:

```
:SCNSIZE
  SIZE = 1920|2000|3564
  DATA = ASCII control sequence.
```

*Figure 29. Syntax for the Set Screen Size Tag*

**SIZE**

A required parameter. Specifies the size of the screen (in characters) for the ASCII display.

1920	The size of the screen is 1920 characters or 24 X 80 (lines X columns).
2000	The size of the screen is 2000 characters or 25 X 80.
3564	The size of the screen is 3564 characters or 27 X 132.

## DATA

A required parameter. Specifies the ASCII control sequence for the screen sizing function. The maximum length of this value is 255 bytes. This data must be coded as a hexadecimal value.

### *ASCII control sequence*

Hexadecimal values for mapping the ASCII control sequence for the screen size.

The ASCII workstation controller can set three screen sizes corresponding to the three values that you can specify for the SIZE parameter on the SCNSIZE tag. You can specify the SCNSIZE tag and its parameters up to three times in a workstation customizing source.

## Notes:

1. An ASCII display does not have to support a command that sets the screen size to exactly 25x80 or exactly 27x132 for you to use these commands in the update screen table. However, for each SCNSIZE tag you specify, the display should be capable of showing at least as many rows and at least as many columns as are associated with the screen size specified. Therefore, a command that sets the screen to 26 rows by 80 columns could be used for the 25x80 screen size, or a command to set the screen size to 28 rows by 132 columns could be used for the 27x132 screen size. When this is the case, the ASCII workstation controller only writes data on those areas of the screen associated with the sizes you select for the SCNSIZE tag.
2. The command to set the screen size to 24x80 is only sent if the twinaxial display being emulated is one that runs in 24x80 mode. In this case, the command is sent when you first vary on the display. Many ASCII displays always run in 24x80 mode. It is not necessary to specify this command in your update screen table if your display is one that always runs with this screen size.
3. If the twinaxial device emulation selected during device configuration is one that provides 132-column support, the ASCII workstation controller switches back and forth between displaying data in a 25x80 format and a 27x132 format. The ASCII workstation controller sends the two command sequences specified in the SCNSIZE tag for size values of 2000 and 3564 to set these sizes.
4. If the twinaxial device emulation selected provides 132-column support, the SCNSIZE tag should be specified in the update screen table with commands for both of the screen sizes: 25x80 and 27x132. You should not specify only the 27x132 screen size.

## Extended Set Cursor Address Command

When you configure an IBM 3151 or 3162 ASCII display, you can select the twinaxial device emulation to be a twinaxial display that shows data for the screen in both the 25x80 and 27x132 formats. When you select this type of emulation, the ASCII workstation controller uses a separate command for addressing data in columns 80 through 132. This command is called the Extended Set Cursor Address command, which is specified in the update screen table by the XCSRADR (extended set cursor address) tag. This command is sent along with the command you specified for the CSRADR tag to address data on the ASCII display for this type of emulation.

***Extended Set Cursor Address (XCSRADR) tag:*** The XCSRADR (extended set cursor address) tag specifies the ASCII control sequence for the extended set cursor address command. The syntax for this tag is:



```

:XRADR
  ROW = row position
  COLHIGH = column position high byte
  COLLOW = column position low byte
  DATA = ASCII control sequence.

```

Figure 30. Syntax for the Extended Set Cursor Address Tag

**ROW**

A required parameter. Specifies the position of the Extended Set Cursor Row byte in the control sequence. This value must be an integer.

**COLHIGH**

A required parameter. Specifies the position of the Extended Set Cursor Column (high) byte in the control sequence. This value must be an integer.

**COLLOW**

A required parameter. Specifies the position of the Extended Set Cursor Column (low) byte in the control sequence. This value must be an integer.

**DATA**

A required parameter. Specifies the ASCII control sequence for the extended set cursor address function. The maximum length of this value is 255 bytes. This parameter value must be coded as a hexadecimal value.

*ASCII control sequence*

Hexadecimal values for the ASCII control sequence for the extended set cursor address function.

If the XRADR tag and its parameters are present in an update screen table, the ASCII workstation controller uses a format that is similar to that of the Extended Set Cursor Address command for the IBM 3151 and 3162 displays. The Extended Set Cursor Address command for the 3151 and 3162 displays has the following general format:

```

ESC X Prh Prl Pch Pcl
1B 58 - - - -

```

Prh - Row Parameter, high byte  
Prl - Row Parameter, low byte  
Pch - Column Parameter, high byte  
Pcl - Column Parameter, low byte

The address parameter (either row or column) for the Extended Set Cursor Address command on these displays is a 2-byte parameter. The following scheme is used for the display in the specification of an address value for these 2 bytes.

Table 29. Address Parameter for the Extended Set Cursor Address Command

Decimal Address Value	High Byte	Low Byte
1 - 32	'20'X	'20'X - '3F'X
33 - 64	'21'X	'20'X - '3F'X
65 - 98	'22'X	'20'X - '3F'X
97 - 128	'23'X	'20'X - '3F'X
129 - 132	'24'X	'20'X - '3F'X

The 3151 and 3162 displays require certain bits within the last parameter byte of a command that contains multiple parameters to be set a certain way. This allows the display to determine which parameter is the last one in a multiple parameter

command. Pc1 is the last parameter byte in this case, and this requirement means that Pc1 must always be set to a value that is '20'X greater than the value listed in the above table for a particular column address.

The XCSRADR tag for this particular example is specified as follows:

```
:XCSRADR
      ROW=4
      COLHIGH=5
      COLLOW=6
      DATA='1B5820202040'X
```

The default address specified in the data for this example corresponds to a screen address of row 1, column 1. The ROW, COLHIGH, and COLLOW parameters are each set to the offset value in the command for that address parameter. The XCSRADR tag does not provide a parameter to specify an index to the high byte of the ROW parameter in the command. The only rows that can ever be addressed on an ASCII display are in the range of 1 to 27. For a 2-byte addressing scheme, as described above, only one of the bytes ever changes value in the row address. The row parameter byte of the tag should point to the byte that changes value as different rows are specified. You should also note that the last byte specified for the data parameter in this example has a value of '40'X This value is specified to fulfill the previously described 3151 and 3162 requirement for marking the last parameter byte in a multiple parameter command.

The ASCII workstation controller uses this command only when the twinaxial display being emulated is one that can operate in 132-column mode.

## Considerations for 132-Column Support

Some of the commands in the update screen table are used by the ASCII workstation controller only when the twinaxial device being emulated is one that supports a wide screen capability. The specific commands that are used only during this emulation are:

- Extended Set Cursor Address Command (XCSRADR tag)
- Set Screen Size to 25x80 command (SCNSIZE tag)
- Set Screen Size to 27x132 command (SCNSIZE tag)

These tags are described in more detail in previous sections in this chapter. The following information summarizes the different things you must keep in mind when customizing an ASCII display that is to be used in 132-column mode.

The only ASCII displays for which wide screen support is currently provided are the IBM 3151, with an appropriate expansion cartridge, and the IBM 3162. You can specify these commands that are specific to the 132-column support in any customized update screen table. However, the commands are used only when the configured device type for which the customized table is being used is a 3151 or a 3162 (and the twinaxial device type selected for the emulation is one that supports 132 columns).

### Notes:

1. The command to set the screen size to 25x80 is sent any time the application data stream contains a command indicating that the default screen size (25x80) is to be set at the display.



2. The command to set the screen size to 27x132 is sent any time the application contains a command indicating that the display should be set to wide screen mode.
3. If the update screen table indicates that the display addresses data and the cursor using binary values (ADDRMOD=BINARY), the Set Cursor Address command is sent any time the screen position being addressed has a column value less than or equal to 80. When a position greater than column 80 is addressed, the Extended Set Cursor Address command is used.

The Extended Set Cursor Address command specified in the update screen table in this case must conform to the format currently used by the IBM 3151 and 3162 ASCII displays. This is described in "Extended Set Cursor Address Command" on page 114.

4. If the update screen table indicates that the display addresses data and the cursor using decimal numeric characters (ADDRMOD=CHAR), the Set Cursor Address command is always sent to the display.

Note that none of the currently supported ASCII displays that use decimal numeric character addressing are supported with the wide screen emulation. When you retrieve the source for an ASCII display that has numeric character addressing, the hundreds column (COLHUNDS) parameter for the CSRADR tag is always zero. To support wide screen emulation on a display that uses numeric character addressing, this parameter must be nonzero and be a valid command sequence for the hundreds unit.

## Working with the EBCDIC-to-ASCII Code Mapping Table

The EBCDIC-to-ASCII mapping table handles the conversion of EBCDIC character data in the range '40'X through 'FF'X (from the ASCII workstation controller's internal screen image buffer) into ASCII character data. This table also provides the mappings for control character data in the range '00'X through '1F'X that can appear in the internal screen image buffer. To customize this table, you need to change the entries in your workstation customizing source associated with the EBCDIC-to-ASCII mapping table tag, DEBCTBL.

### EBCDIC-to-ASCII Mapping Table (DEBCTBL) Tag

The DEBCTBL (EBCDIC-to-ASCII mapping table) tag defines the EBCDIC-to-ASCII mapping table to be used for an ASCII display. The syntax for this tag is:

```
:DEBCTBL
    DATA = table data.
```

Figure 31. Syntax for EBCDIC-to-ASCII Mapping Table Tag

#### DATA

A required parameter. Specifies the EBCDIC-to-ASCII mapping table data for the ASCII display. The data are hexadecimal values used for the EBCDIC-to-ASCII translation of system data to data the ASCII display can use. The table data must be hexadecimal, and exactly 256 bytes in length.

*table data*

Hexadecimal values used for the EBCDIC to ASCII translation.

The EBCDIC-to-ASCII mapping table consists of 256 1-byte entries. Each entry corresponds to an EBCDIC value in the range '00'X through 'FF'X. Figure 32 on



When you customize the EBCDIC-to-ASCII mapping table, be sure to change any substitute mappings that are not appropriate for your display.

---

## Using the Tags to Customize an ASCII Display Keyboard

The two mapping tables you can change to customize the keyboard for an ASCII display are:

- ASCII to keyboard function mapping table,
- ASCII-to-EBCDIC mapping table

The ASCII to keyboard function mapping table is set up to recognize the specific control codes and command sequences that are generated by the keyboard of an ASCII display.

The ASCII-to-EBCDIC mapping table allows the workstation controller to convert the ASCII character data entered from the keyboard to EBCDIC character data that an AS/400 application can understand.

## Working with the ASCII to Keyboard Function Mapping Table

The ASCII to keyboard function mapping table handles the mapping of ASCII control characters and control character sequences to the following:

- Twinaxial keyboard function codes
- Local ASCII display functions
- Requests to set the display state for processing subsequent data received from the display

To change these mappings, you need to use the keyboard function tags that follow the DKBDTBL (ASCII to keyboard function mapping table) tag.

### ASCII to Keyboard Function Mapping Table (DKBDTBL) Tag

The DKBDTBL (ASCII to keyboard function mapping table) tag defines an ASCII to keyboard function mapping table for an ASCII display. The syntax for this tag is:

```
:DKBDTBL.
```

*Figure 33. Syntax for ASCII to Keyboard Function Mapping Table Tag*

There are no keyword parameters associated with this tag. However, it is immediately followed by a number of individual keyboard function tags, which make up the table entries. See “Keyboard Function Tags” on page 120 for more information about the keyboard function tags.

The size of the ASCII to keyboard function mapping table is limited. You need to keep this in mind when adding a large number of keyboard function tags that have long ASCII control sequences (hexadecimal data values).

The same keyboard function tag can be specified more than once in the same ASCII to keyboard function mapping table as long as the ASCII control sequences specified in each case are different. This allows the same keyboard function to be called by more than one ASCII keyboard mapping. When customizing an ASCII to

keyboard function table, you should use caution when deciding whether to delete or omit particular keyboard function tags from a workstation customizing source.

The absence of a specific keyboard function tag after the DKBDTBL tag implies that particular keyboard function is not mapped. If the same keyboard function tag occurs multiple times (with different data values) following a DKBDTBL tag, the ASCII workstation controller uses all the occurrences of the tag in the source to map the function.

In general, keyboard function tags appearing in a workstation customizing source that has been retrieved should not be deleted. Although, it may be acceptable for functions that are not required for certain users (for example, some users will never have a need for the terminal disconnect function), deleting tags from the workstation customizing source can cause your display to be unusable or behave in an unpredictable way.

If a particular keyboard function tag does not appear in your retrieved source, you cannot use that keyboard function on your ASCII display. You can, however, try adding these functions by checking the tags that are available to add or change the function. Add the tag and the corresponding hexadecimal data to the source under the appropriate primary tag and then create and test the customizing object for that function.

**Note:** You cannot add a function that the workstation controller does not support for the type of device you are trying to customize.

When customizing an ASCII to keyboard function table, you should be sure that the ASCII control sequences you specify for the different keyboard function tags are unique.

## Keyboard Function Tags

The tags described in this section allow you to specify the ASCII control sequence for an individual keyboard function of an ASCII display. The keyboard function tags must follow the DKBDTBL (ASCII to keyboard function mapping table) tag in the source. The same keyboard function tag can occur multiple times following the DKBDTBL tag, with different ASCII control sequences. Each occurrence results in a unique mapping entry in the final customizing object.

With one exception, all keyboard function tags have the same general syntax, as described in the following section. The exception to the general syntax is the FKEY tag, which is described separately.

The general syntax for a keyboard function tag is:

```
:xxxxx  
    DATA = ASCII control sequence.
```

*Figure 34. General Syntax for the Keyboard Function Tags*

### **DATA**

A required parameter. Specifies the ASCII control sequence for the keyboard function. The maximum length for this value is 31 bytes. This data must be coded as a hexadecimal value.

### ASCII control sequence

Hexadecimal values for mapping ASCII control sequences to keyboard functions.

**Note:** A control sequence is only recognized if the first byte is in the range '00'X through '1F'X or is equal to '7F'X as shown in Figure 18 on page 86

Table 30 lists the keyboard function tags.

Table 30. Descriptions of the Keyboard Function Tags

Keyboard Function Tag	Tag Description	Keyboard Function Tag	Tag Description
ATN	Attention	HELP	Help
BASE	Base	HEX	Hex
BOLD	Bold	HLFIDXDN	Half index down
BOTPAG	Bottom of page	HLFIDXUP	Half index up
BSP	Backspace	HOME	Home
CARRTN	Carrier return	INSERT	Insert
CENTER	Center	LATINON	Latin language on
CLEAR	Clear	NEWLINE	New line
CLOSE	Close	NEXTSTOP	Next stop
CSRUP	Cursor up	NTLON	National language on
CSRDOWN	Cursor down	PAGDOWN	Page down
CSRLEFT	Cursor left	PAGUP	Page up
CSRRIGHT	Cursor right	PAGEND	Page end
CSRSEL	Cursor select	PA1	PA1
DISC	Terminal disconnect	PA2	PA2
DLT	Delete	PA3	PA3
DSPSYM	Display symbols	PRINT	Print
DUP	Duplicate	READSTS	Read Status
END	End	RQDSPC	Required space
ENDLINE	End of line	RQDTAB	Required tab
ENTER	Enter	RVS	Reverse
ERSINP	Erase input	SCNREFRESH	Screen refresh
ERSEOF	Erase EOF	SCNRVS	Screen reverse
ERRRESET	Error reset	SHIFTOUT	Set shift-out state
FCSRLEFT	Fast cursor left	SHIFTIN	Set shift-in state
FCSRRIGHT	Fast cursor right	STOPCODE	Stop code
FLDADV	Field advance	STRLINE	Beginning of line
FLDBSP	Field backspace	STRUS	Begin underscore
FLDEXIT	Field exit	SYSREQ	System request
FLDPLUS	Field plus	TOGIND	Toggle indicator
FLDMINUS	Field minus	TOPPAG	Top of page

Table 30. Descriptions of the Keyboard Function Tags (continued)

Keyboard Function Tag	Tag Description	Keyboard Function Tag	Tag Description
FLDMRK	Field mark	TSTREQ	Test request
FWDTAB	Forward tab	WORDUS	Word underscore

**Function Key (FKEY) tag:** The function key tag, FKEY, specifies the ASCII control sequence to be mapped into a particular function key. The syntax for this tag is:

```
:FKEY
  KEY = F1|F2|F3|F4|F5|F6|F7|
        F8|F9|F10|F11|F12|
        F13|F14|F15|F16|F17|
        F18|F19|F20|F21|F22|
        F23|F24
  DATA = ASCII control sequence.
```

Figure 35. Syntax for the Function Key Tag

#### KEY

A required parameter. Specifies the function key to be mapped.

#### F1 - F24

The range of function keys you can set using this parameter.

#### DATA

A required parameter. Specifies the ASCII control sequence for the function key. The maximum length for this value is 31 bytes. This value must be a hexadecimal value.

#### ASCII control sequence

Hexadecimal values that represent the ASCII control sequence you want to map to the function key you specified for the KEY parameter.

For each keyboard function tag or function key tag (FKEY) that can be specified following a DKBDTBL tag, you can specify data for the ASCII control sequence that you want to assign to that keyboard function.

When you specify the ASCII keystroke sequence for a given keyboard function tag, you need to be aware of the following programming considerations:

#### Notes:

1. You can specify a keystroke sequence that is anywhere from 1 to 31 bytes in length.
2. The control character values of '11'X and '13'X should never be specified anywhere in an ASCII control sequence. These values are reserved for the XON ('11'X) and XOFF ('13'X) control characters, which are used by ASCII devices to control the flow of data between devices. The ASCII workstation controller performs special processing when this character is received from a display. It does not map any ASCII control sequences containing this character into the specified keyboard function.
3. The first byte of a control sequence must have one of the following values: '00'X through '10'X, '12'X, '14'X to '1F'X, or '7F'X. The ASCII workstation controller will not recognize any ASCII control sequences beginning with values other than these.

As an example, assume the cursor up (CSRUP) keyboard function tag is specified as follows:

```
:CSRUP  
    DATA = '221B49'X.
```

The ASCII workstation controller will never map this control sequence into the cursor up keyboard function. Instead, the first character ('22'X) is treated as an ASCII character code and mapped into an EBCDIC code. The remaining bytes in the control sequence are ignored by the ASCII workstation controller.

4. If the same control sequence is specified for two or more different keyboard function tags, the ASCII workstation controller maps the specified ASCII input sequences into only one of the keyboard functions. The keyboard function into which it is mapped depends on the relative location of the keyboard function tags in the ASCII to keyboard function table.
5. If the ASCII control sequence specified for one keyboard function tag matches the beginning of a longer sequence specified in another entry, the workstation controller only recognizes the shorter sequence.

For example, assume the following three keyboard function tags are specified:

```
:CSRUP    DATA=X'1B32'  
:CSRLEFT  DATA=X'1B3203'  
:CLEAR    DATA=X'03'
```

The ASCII workstation controller never maps a control sequence for the cursor left keyboard function in this example. If the control sequence assigned to cursor left ('1B3203'X) is received, the ASCII workstation controller performs the cursor up keyboard function and then subsequently performs the clear keyboard function. In this example, if no keyboard function is assigned the single value '03'X, the ASCII workstation controller still performs the cursor up function and then ignores the '03'X.

## Working with the ASCII-to-EBCDIC Mapping Table

The ASCII-to-EBCDIC mapping table handles the conversion of ASCII character data received from a display to an EBCDIC character code. You can change the mapping of ASCII characters to EBCDIC characters by changing the data that follows the DASCTBL (ASCII-to-EBCDIC mapping table) tag.

### ASCII-to-EBCDIC Mapping Table (DASCTBL) Tag

The DASCTBL (ASCII-to-EBCDIC mapping table) tag defines the ASCII-to-EBCDIC mapping table for an ASCII display. This mapping table is formatted so that it begins at '20'X rather than '00'X; therefore, the size of this table is limited to 224 bytes. The syntax for this tag is:

```
:DASCTBL  
    DATA = table data.
```

*Figure 36. Syntax for the ASCII-to-EBCDIC Mapping Table Tag*

#### DATA

A required parameter. Specifies the ASCII-to-EBCDIC mapping table data for the ASCII display. The data are hexadecimal values used for the translation of an ASCII character to an EBCDIC character. The table data must be hexadecimal, and exactly 224 bytes in length.



*table data*

Hexadecimal values used for the ASCII-to-EBCDIC translation.

The ASCII-to-EBCDIC mapping table consists of 224 1-byte entries. Each entry corresponds to an ASCII character code value in the range '20'X through 'FF'X. Each entry contains the EBCDIC character code to which a given ASCII character is mapped. Figure 37 illustrates the layout of this table in your workstation customizing source.

```
:DASCTBL
DATA =
/* -0-1-2-3-4-5-6-7-8-9-A-B-C-D-E-F */
'404F7F7B5B6C507D4D5D5C4E6B604B61'X      /* 2- */
'F0F1F2F3F4F5F6F7F8F97A5E4C7E6E6F'X      /* 3- */
'7CC1C2C3C4C5C6C7C8C9D1D2D3D4D5D6'X      /* 4- */
'D7D8D9E2E3E4E5E6E7E8E94AE05A5F6D'X      /* 5- */
'79818283848586878889919293949596'X      /* 6- */
'979899A2A3A4A5A6A7A8A9C0BBD0A100'X      /* 7- */
'00000000000000000000000000000000'X      /* 8- */
'00000000000000000000000000000000'X      /* 9- */
'00000000000000000000000000000000'X      /* A- */
'00000000000000000000000000000000'X      /* B- */
'00000000000000000000000000000000'X      /* C- */
'00000000000000000000000000000000'X      /* D- */
'00000000000000000000000000000000'X      /* E- */
'00000000000000000000000000000000'X      /* F- */
```

*Figure 37. ASCII-to-EBCDIC Mapping Table Format*

The EBCDIC character code values in this table should be in the range of valid EBCDIC characters ('40'X through 'FF'X) to be usable by the ASCII workstation controller. The value '00'X can be specified for ASCII code points that either have no ASCII graphic character assigned or for which there is no corresponding character in the EBCDIC character set.

For example, ASCII code points in the range from '80'X through '9F'X usually have no graphic character assigned to them. In the retrieved source, the entries in the ASCII-to-EBCDIC mapping table that correspond to these ASCII code points contain the value '00'X. When the ASCII workstation controller receives an ASCII character whose entry in the ASCII-to-EBCDIC mapping table has a value of '00'X, it is not mapped to an EBCDIC character and the received ASCII character is ignored.

You should not specify values in the range from '01'X through '3F'X for entries in the ASCII-to-EBCDIC mapping table. When a value in this range appears in a table entry and the ASCII code corresponding to this entry is received from the display, the ASCII workstation controller sends an error message to the display. This appears as a blinking 0002 on the bottom line of the display.

The ASCII workstation controller treats the ASCII code point, '7F'X as a control character. Although the entry for this ASCII code point is in the ASCII-to-EBCDIC mapping table, it is never used.

The ASCII-to-EBCDIC mapping table you retrieve when you customize an ASCII display comes from one of the AS/400 system ASCII-to-EBCDIC display mapping tables. There are a limited number of these source tables on the system, corresponding to the limited ASCII device type and language type combinations that can be configured when an ASCII display is not customized. ASCII-to-EBCDIC



mapping tables that handle the mapping to every EBCDIC code page on the system do not exist. Default ASCII-to-EBCDIC mappings are provided in the retrieved source when you specify a device type and language combination that is not normally supported for ASCII displays. This default ASCII-to-EBCDIC mapping converts the US ASCII code page into EBCDIC code page 500. When you retrieve the source for such a device type and language combination, you need to be sure to change the ASCII-to-EBCDIC mapping data to suit the particular needs of your display.

---

## Customizing a DEC VT-320 Display in VT-300 Mode

In this example, you are customizing a DEC VT-320 ASCII display. The DEC VT-320 ASCII display is currently not supported by the AS/400 system.

It is assumed that the VT-320 ASCII workstation is physically attached to the system, partly configured to work with the AS/400 system (appropriate controller and device descriptions created), and is powered on.

### Step 1: Planning the Customizing

Familiarize yourself with the display by looking over the reference book. Look at the functional capabilities and the character sets (languages) the display supports. Check the VT-220 characteristics listed in the *ASCII Work Station Reference* against the VT-320 characteristics listed in the VT-320 reference book. This comparison tells you that the VT-320 display is functionally similar to the DEC VT-220.

To begin, use the default setup for the display hardware. Because the VT-320 is an unsupported ASCII display, and its functions are similar to the VT-220, you need to change the device type to TYPE(V220) in the device description. Check the default values for the communications parameters used in the setup for the display and then specify these same values for the device description. For the VT-320, the following parameter values were specified:

Line speed	19200
Word length (Data Bits)	8
Parity	Even
Stop Bits	1

Vary on the device with the default mapping tables for a VT-220 display by specifying \*NONE for the work station customizing object (WSCST) parameter in the device description.

The Sign On Screen appears and is clear. The tests provided by the DISPLAY TEST function for the VT-320 display also work correctly. This indicates that the commands for updating the screen match those supported by the display.

Using the work sheet for the ASCII update screen table, experiment with the display functions to verify the commands that are supported by the display are actually working. Be sure to look at those commands that have the most effect on the display, such as the values for the basic update screen table (DSCNTBL) tag, cursor addressing (CSRADR) tag, and clearing the screen (CLRSCN) tag. Some

degree of trial and error is required in the planning process for customizing. Use the recovery actions described in the messages in your job log to correct any errors that occur during experimentation.

The VT-320 display supports several different modes. The only major difference between the 320 mode of the VT-320 display and the VT-220 display is that the VT-220 display does not have function keys. The VT-320 function keys, F6 through F10 and F14, can be customized. (The other function keys cannot be customized because they provide local ASCII functions.)

Look at the VT-320 reference book to find the hexadecimal code sequences sent by the F6, F7, and F8 keys and fill in the ASCII to keyboard function mapping table work sheet as shown in the following figure. This allows you to more easily make the changes to the workstation customizing source. (You can have more than one entry for each function key.)

**Note:** The VT-320 ASCII display provides a function that allows you to check the code generated by each key when you set the display to DISPLAY CONTROL mode.

ASCII to Keyboard Function Mapping Table (Function Keys)		
Function Key	Key Sequence	Hexadecimal Data
F1		
F2		
F3		
F4		
F5		
F6	F6	1B5B31377E
F7	F7	1B5B31387E
F8	F8	1B5B31397E
F16		

Figure 38. ASCII to Keyboard Function Mapping Table (Function Key)—Example Work Sheet

## Step 2: Retrieving the Workstation Customizing Source

To create a workstation customizing source, you use the Retrieve Work Station Customizing Object Source (RTVWSCST) command and specify the following:

Device type	DEVTYPE(V220)
Keyboard language type <sup>1</sup>	KBDTYPE(USI)
Source member	SRCMBR(CSTV320)
Source file	SRCFILE(CSTSRC)
Library	LIB(CSTLIB)
Text	TEXT('WSCST source for VT-320 function keys')

<sup>1</sup>This value must match the keyboard language type you specified in the device description for the display; otherwise the display will not vary on.

### Step 3: Changing the Source

After you retrieve the source, use the source entry utility (SEU) to change the function key definitions. The command is:

```
STRSEU SRCFILE(CSTLIB/CSTSRC) SRCMBR(CSTV320)
```

The following example source shows the code for the function keys that you want to map to your ASCII display keyboard. In the data parameter for each function key, type the ASCII hexadecimal data string for the command that the display sends when that key is pressed. (These are the hexadecimal values you wrote down on your work sheet in the planning part of the workstation customizing process.) This maps the display's code for a function key to the AS/400 function for that key.

```
      .  
      .  
:FKEY  
      KEY = F6  
      DATA = '1B5B31377E'X.  
:FKEY  
      KEY = F7  
      DATA = '1B5B31387E'X.  
:FKEY  
      KEY = F8  
      DATA = '1B5B31397E'X.  
      .  
      .  
      .
```

### Step 4: Creating the Workstation Customizing Object

After you change and save the source, create the workstation customizing object using the Create Work Station Customizing Object (CRTWSCST) command. Specify the following parameter values:

Workstation customizing object name	WSCST(CSTV320)
Library	LIB(CSTLIB)
Source member	SRCMBR(CSTV320)
Text	TEXT('Workstation Customizing Object for VT-320 function keys')
Source file	SRCFILE(CSTSRC)
Library	LIB(CSTLIB)

If errors occur while the object is being created, messages are sent to the job log. Use the recovery actions provided in the help information for the message to correct any errors and try to create the customizing object again.

### Step 5: Varying On the Device

Vary off the VT-320 display and change the device description specifying your customizing object, CSTV320, for the workstation customizing object (WSCST) parameter.

To activate the workstation customizing function, vary on the display again so that the customizing object is downloaded to the ASCII workstation controller. The F6, F7, and F8 function keys on the VT-320 keyboard now call the appropriate AS/400 functions for those keys.



---

## Part 3. Printer Customization Technical Reference

<b>Chapter 9. Customizing Printers</b> . . . . .	135
Determining Whether an ASCII Printer Can Be Customized . . . . .	135
Understanding ASCII Printer Function Support . . . . .	135
Choosing a Method for Customizing Printer Functions . . . . .	138
Printers that Use Host Print Transform Function . . . . .	139
The Mapping Table (Transform Table) . . . . .	139
Customizing the Mapping Table . . . . .	139
Advantages of Using the Host Print Transform Function . . . . .	140
Limitations of Using the Emulator on the AS/400 System . . . . .	140
Printers that Use the Emulator on the Display . . . . .	140
The Mapping Table (Printer Definition Table). . . . .	140
Customizing the Mapping Table . . . . .	141
Advantages of Using the Emulator on the Display. . . . .	141
Limitations of Using the Emulator on the Display . . . . .	141
Printers that Use the Emulator on the Workstation Controller . . . . .	142
The Mapping Tables (Default EBCDIC-to-ASCII, Function, and Multilanguage EBCDIC-to-ASCII) . . . . .	142
Customizing the Mapping Tables . . . . .	143
Advantages of Using the Emulator on the Workstation Controller . . . . .	143
Limitations of Using the Emulator on the Workstation Controller . . . . .	143
<b>Chapter 10. Customizing ASCII Printers That Use the Host Print Transform Function</b> . . . . .	145
Preparing to Customize an ASCII Printer . . . . .	145
Gathering Source Materials . . . . .	145
Completing Printer Setup . . . . .	145
Planning the Customization Schedule . . . . .	146
Customizing Unsupported ASCII Printers . . . . .	146
Retrieving the Workstation Customizing Source . . . . .	146
Understanding the Transform Table . . . . .	146
Choosing the Customizing Source . . . . .	147
Changing the Source . . . . .	147
Transform Table (TRNSFRMTBL) Tag . . . . .	147
Using the Tags . . . . .	148
Programming Considerations . . . . .	148
Customizing Printer Information . . . . .	149
Printer Data Stream (PRTDTASTRM) Tag. . . . .	149
Raster Mode (RASTERMODE) Tag . . . . .	150
No-print Border (NOPRTBDR) Tag . . . . .	151
Drawer Page Size . . . . .	152
Drawer Page Size (DWRPAGSIZ) Tag . . . . .	152
Drawer Page Size Entry (DWRPAGSIZE) Tag . . . . .	152
End Drawer Page Size (EDWRPAGSIZ) Tag . . . . .	153
Customizing Printer Controls . . . . .	153
Bell (BELL) Tag . . . . .	153
Carrier Return (CARRTN) Tag . . . . .	153
Initialize Printer (INITPRT) Tag. . . . .	153
Reset Printer (RESETPRT) Tag . . . . .	154
Raster Graphics End (RASEND) Tag . . . . .	154
Print All Characters (PRTALLCHR) Tag . . . . .	154
Print Next Character (PRTNXTCHR) Tag . . . . .	155
Customizing Print Media Size . . . . .	155
Envelope Size . . . . .	155

Envelope Size for Transform (ENVSIZXFM) Tag . . . . .	156
Envelope Size Entry (ENVSIZ) Tag . . . . .	156
End Envelope Size for Transform (EENVSIZXFM) Tag . . . . .	156
Paper Size . . . . .	156
Page Size for Transform (PAGSIZXFM) Tag . . . . .	157
Page Size Entry (PAGSIZE) Tag . . . . .	157
End Page Size for Transform (EPAGSIZXFM) Tag . . . . .	157
Page Length . . . . .	157
Page Length in Inches (PAGLENI) Tag . . . . .	157
Page Length in Lines (PAGLENL) Tag . . . . .	158
Printable Area . . . . .	159
Text Length in Lines (TEXTLENL) Tag . . . . .	159
Top Margin in Inches (TOPMARGINI) Tag . . . . .	160
Customizing Highlighting . . . . .	161
Bold . . . . .	161
Start Bold Printing (STRBOLD) Tag . . . . .	161
End Bold Printing (ENDBOLD) Tag . . . . .	161
Underscore . . . . .	162
Start Underscore Function (STRUS) Tag . . . . .	162
End Underscore (ENDUS) Tag . . . . .	162
Customizing Horizontal Movement . . . . .	162
Backspace (BSP) Tag . . . . .	162
Characters Per Inch. . . . .	162
Characters per Inch in Normal Print Mode (CPI) Tag. . . . .	163
Characters per Inch in COR Mode (CPICOR) Tag. . . . .	163
Horizontal Absolute Movement (HORAMOV) Tag . . . . .	164
Horizontal Relative Movement (HORRMOV) Tag . . . . .	165
Proportional Spacing . . . . .	167
Start Proportional Space (STRPROP) Tag . . . . .	167
End Proportional Space (ENDPROP) Tag. . . . .	167
Space (SPACE) Tag . . . . .	167
Customizing Vertical Movement . . . . .	167
Form Feed (FORMFEED) Tag . . . . .	168
Half Line Feed (HLFLINEFEED) Tag . . . . .	168
Line Feed (LINEFEED) Tag . . . . .	168
Vertical Absolute Movement (VERAMOV) Tag . . . . .	168
Vertical Relative Movement (VERRMOV) Tag . . . . .	169
Reverse Half Line Feed (RVSHLFLINEFEED) Tag . . . . .	171
Reverse Line Feed (RVSLINEFEED) Tag . . . . .	171
Vertical Line Spacing . . . . .	171
Lines per Inch (LPI) Tag . . . . .	171
Variable Line Spacing (VARLSPC) Tag. . . . .	171
Customizing Indexing . . . . .	173
Subscript. . . . .	173
Start Subscript Function (STRSUBS) Tag . . . . .	173
End Subscript Function (ENDSUBS) Tag . . . . .	173
Superscript . . . . .	173
Start Superscript Function (STRSUPS) Tag . . . . .	173
End Superscript Function (ENDSUPS) Tag . . . . .	173
Customizing Color . . . . .	174
Foreground Color (FOREGRND) Tag . . . . .	174
Customizing Paper Input . . . . .	174
Paper Drawer Selection (DWRSLT) Tag . . . . .	174
Selecting Paper Drawer Number (DWRNBR) Tag . . . . .	175
Additional Paper Drawer Selection . . . . .	175
Additional Drawer Selection (ADDDRWTBL) Tag . . . . .	176

Additional Paper Drawer Selection Entry (ADDDRWTBLE) Tag . . . . .	176
End Additional Paper Drawer Selection (EADDDRWTBL) Tag . . . . .	176
Customizing Paper Output . . . . .	176
Output Bin Selection . . . . .	176
Output Bin Selection (OUTBINTBL) Tag . . . . .	177
Output Bin Selection Entry (OUTBINTBLE) Tag . . . . .	177
End Output Bin Selection (EOUTBINTBL) Tag . . . . .	177
Jog Output Tray . . . . .	177
Jog Output Tray (JOGOUTTRAY) Tag . . . . .	177
Duplex . . . . .	178
Set Duplex Printing (DUPXPRT) Tag . . . . .	178
Select Next Side Printing in Duplex (NXTDUPXPRT) Tag . . . . .	178
Set Tumble Duplex Printing (TUMDUPXPRT) Tag . . . . .	178
Simplex . . . . .	178
Set Simplex Printing (SMPXPRT) Tag . . . . .	178
Customizing Print Orientation . . . . .	179
Print Angle (PRTANGLE) Tag . . . . .	179
Paper Orientation (PRTORIENT) Tag . . . . .	179
Customizing Print Quality . . . . .	180
Print Quality (PRTQLTY) Tag . . . . .	180
Customizing Fonts . . . . .	180
Font Groups . . . . .	181
Font Group (FNTGRP) Tag . . . . .	181
Font Group Entry (FNTGRPE) Tag . . . . .	181
End Font Group (EFNTGRP) Tag . . . . .	182
Individual Fonts . . . . .	182
Individual Font (INDFNT) Tag . . . . .	182
Individual Font Entry (INDFNTE) Tag . . . . .	182
End Individual Font (EINDFNT) Tag . . . . .	183
Font Mapping . . . . .	183
Font Mapping (FNTMAPTBL) Tag . . . . .	184
Font Mapping Entry (FNTMAPE) Tag . . . . .	184
End Font Mapping (EFNTMAPTBL) Tag . . . . .	184
Customizing Code Page Support . . . . .	184
Customizing EBCDIC-to-ASCII Code Page Mapping . . . . .	185
EBCDIC-to-ASCII Mapping Table (EBCASCTBL) Tag . . . . .	186
EBCDIC-to-ASCII Mapping Table Entry (EBCASCTBLE) Tag . . . . .	186
End EBCDIC-to-ASCII Mapping Table (EEBCASCTBL) Tag . . . . .	187
Supporting Additional ASCII Code Pages . . . . .	187
ASCII Code Page Information (ASCCPINFO) Tag . . . . .	188
Code Page (CODEPAGE) Tag . . . . .	188
ASCII Control Code Mapping (ASCIICTL) Tag . . . . .	188
End ASCII Code Page Information (EASCCPINFO) Tag . . . . .	189
Overriding the Default ASCII Code Page (DFTASCCP) Tag . . . . .	189
Customizing Fax Support . . . . .	189
Fax Size . . . . .	190
Fax Size for Transform (FAXSIZXFM) Tag . . . . .	190
Fax Size Entry (FAXSIZE) Tag . . . . .	190
End Fax Size for Transform (EFAXSIZXFM) Tag . . . . .	190
Customizing Double-Byte Character Set (DBCS) Support . . . . .	191
CCSID Mapping . . . . .	191
EBCDIC-to-ASCII CSSID mapping (EBCASCCSID) Tag . . . . .	191
EBCDIC-to-ASCII CSSID mapping entry (EBCASCCSIDE) Tag . . . . .	191
End EBCDIC-to-ASCII CSSID mapping table entry (EEBCASCCSID) Tag . . . . .	192
Shift In (SI) Tag . . . . .	192
Shift Out (SO) Tag . . . . .	192

DBCS Space (DBSPACE) Tag . . . . .	192
Character Orientation (CHROrient) Tag . . . . .	192
Set Character Pitch (SCPITCH) Tag . . . . .	193
Set Line Pitch (SLPITCH) Tag . . . . .	194
Set Font Size Scaling (FONTSCALING) Tag . . . . .	195
Set Font Size Scale (FONTSCALE) Tag . . . . .	196
CPI (Set Characters per Inch) . . . . .	196
Set Grid Type (GLTYPE) Tag . . . . .	197
Set Grid Line Width (GLWIDTH) Tag . . . . .	197
Draw Grid Line (DRAWLINE) Tag . . . . .	198
Printer Data Stream (PRTDTASTRM) Tag . . . . .	199
Creating the Workstation Customizing Object . . . . .	200
Specifying the Workstation Customizing Object . . . . .	200
Deleting the Workstation Customizing Object . . . . .	200
Customizing a Hewlett-Packard LaserJet 4 Printer . . . . .	201
Setting up the Hewlett-Packard LaserJet 4 Printer . . . . .	201
Step 1: Planning the Customizing . . . . .	201
Step 2: Retrieving the Workstation Customizing Object Source . . . . .	202
Step 3: Changing the Source . . . . .	202
Step 4: Creating the Workstation Customizing Object . . . . .	203
Step 5: Specifying the Workstation Customizing Object . . . . .	203
Step 6: Varying On the Device . . . . .	204
<b>Chapter 11. Customizing ASCII Printers That Use the Emulator on the</b>	
<b>Display . . . . .</b>	<b>205</b>
Supported ASCII Printers Attached to Twinaxial Displays . . . . .	205
Customizing Unsupported ASCII Printers Attached to Twinaxial Displays . . . . .	206
Printer Mapping Table for ASCII Printers Attached to Twinaxial Displays . . . . .	206
ASCII Printer Definition Table . . . . .	207
Determining Which ASCII Printer Tables to Use . . . . .	207
Working with the Tag Language for ASCII Printers Attached to Twinaxial	
Displays . . . . .	207
Using the Tags to Customize ASCII Printers Attached to Twinaxial Displays . . . . .	208
ASCII Printer Definition Table (PDFNTBL) Tag . . . . .	208
Printer Function Tags . . . . .	209
Printer Function Tags for 3477 Model H, 3486, 3487, and 3488 Displays . . . . .	209
Printer Function Tags with Variable and Relative Movement . . . . .	209
Backspace (BSP) Tag . . . . .	211
Bell (BELL) Tag . . . . .	211
Start Bold Printing Function (STRBOLD) Tag . . . . .	211
End Bold Printing (ENDBOLD) Tag . . . . .	211
Carrier Return (CARRTN) Tag . . . . .	212
Set Characters per Inch (CPI) Tag . . . . .	212
Set Code Page (CODEPAGE) Tag . . . . .	212
Set Double Character Height (DBLCHRH) Tag . . . . .	213
Start Double-Wide Continuous (STRWIDE) Tag . . . . .	213
End Double-Wide Continuous (ENDWIDE) Tag . . . . .	213
Drawer Selection (DWRSLT) Tag . . . . .	213
Global Fonts for Printer Definition Table (FNTGPDT) Tag . . . . .	214
End Global Fonts for PDT (EFNTGPDT) Tag . . . . .	214
Global Font Range (FNTGRNG) Tag . . . . .	214
Foreground Color (FOREGRND) Tag . . . . .	215
Form feed (FORMFEED) Tag . . . . .	215
Initialize Printer (INITPRT) Tag . . . . .	215
Line Feed (LINEFEED) Tag . . . . .	215
Set Lines per Inch (LPI) Tag . . . . .	216



Set Page Length in Lines (PAGLENL) Tag . . . . .	216
Paper Feed (PRTFEED) Tag . . . . .	217
Paper Orientation (PRTORIENT) Tag . . . . .	217
Print Quality (PRTQLTY) Tag . . . . .	218
Start Proportional Space (STRPROP) Tag . . . . .	218
End Proportional Space (ENDPROP) Tag. . . . .	218
Quality Font Download (SETQLTY) Tag . . . . .	219
Space (SPACE) Tag . . . . .	219
Set Standard Character Height (STDCHRH) Tag . . . . .	219
Start Subscript (STRSUBS) Tag . . . . .	219
End Subscript (ENDSUBS) Tag . . . . .	220
Start Superscript (STRSUPS) Tag . . . . .	220
End Superscript (ENDSUPS) Tag. . . . .	220
Table Name (TBLNAME) Tag . . . . .	220
Translation Printer Definition Table (TRNEBCDIC) Tag . . . . .	221
End Translation Printer Definition Table (ETRNEBCDIC) Tag. . . . .	221
Translation Entry (TRNEBCDICE) Tag . . . . .	221
Start Underscore (STRUS) Tag . . . . .	221
End Underscore (ENDUS) Tag. . . . .	221
Set Vertical Units (VERUNT) Tag . . . . .	222
Additional Tags for Use with 3486, 3487, and 3488 Displays. . . . .	222
Adjust Horizontal Origin (ADJHRZORG) Tag. . . . .	222
Adjust Vertical Origin (ADJVERORG) Tag. . . . .	222
Set Characters per Inch (CPI) Tag . . . . .	223
Set Characters per Inch in COR Mode (CPICOR) Tag . . . . .	223
Duplex Printing (DUPXPRT) Tag . . . . .	224
Half Line Feed (HLFLINEFEED) Tag . . . . .	224
Jog Output Tray (JOGOUTTRAY) Tag . . . . .	225
Select Next Side Printing in Duplex (NXTDUPXPRT) Tag . . . . .	225
Paper Orientation (PRTORIENT) Tag . . . . .	225
Reverse Half Line Feed (RVSHLFLINEFEED) Tag . . . . .	226
Reverse Line Feed (RVSLINEFEED) Tag . . . . .	226
Set Simplex Printing (SMPXPRT) Tag . . . . .	226
Set Tumble Duplex Printing (TUMDUPXPRT) Tag. . . . .	226
Set Vertical Units in Half (VERUNTHLF) Tag . . . . .	227
Customizing a Hewlett-Packard LaserJet Series IIP Printer Attached to a 3477	
Twinaxial Display . . . . .	227
Setting up the 3477 Model H Display . . . . .	227
Step 1: Planning the Customizing. . . . .	228
Step 2: Retrieving the Workstation Customizing Object Source . . . . .	231
Step 3: Changing the Source . . . . .	232
Step 4: Creating the Workstation Customizing Object . . . . .	233
Step 5: Varying On the Device. . . . .	234
<b>Chapter 12. Customizing ASCII Printers That Use the Emulator on the</b>	
<b>Controller . . . . .</b>	<b>237</b>
Supported ASCII Printers. . . . .	237
Customizing Unsupported ASCII Printers . . . . .	237
Mapping Tables for ASCII Printers . . . . .	239
Default EBCDIC-to-ASCII Mapping Table . . . . .	239
ASCII Printer Function Table . . . . .	241
Printer Multilanguage EBCDIC-to-ASCII Mapping Table. . . . .	241
Determining Which ASCII Printer Tables to Use . . . . .	243
Working with the Tag Language for Directly Attached ASCII Printers . . . . .	244
Using the Tags to Customize ASCII Printers . . . . .	246
Default EBCDIC-to-ASCII Mapping Table (PDFTMAPTBL) Tag . . . . .	246

End Default EBCDIC-to-ASCII Mapping Table (EPDFTMAPTBL) Tag . . . . .	246
EBCDIC-to-ASCII Mapping Table (PDFTEBCTBL) Tag . . . . .	246
Font Width Mapping Table (PFNTWTH) Tag . . . . .	247
ASCII Printer Function Table (PFCNTBL) Tag . . . . .	247
Multilanguage EBCDIC-to-ASCII Mapping Table (PMLGMAPTBL) Tag . . . . .	247
End Multilanguage EBCDIC-to-ASCII Mapping Table (EPMLGMAPTBL) Tag . . . . .	248
EBCDIC-to-ASCII Mapping Table (PMLGEBCTBL) Tag . . . . .	248
Printer Function Tags . . . . .	250
Syntax for Printer Function Tags with the Data Parameter Only . . . . .	250
Syntax for Printer Function Tags with a Variable . . . . .	251
Syntax for Printer Function Tags with Variable and Relative Movement . . . . .	253
ASCII Control Code Mapping (ASCICTL) Tag . . . . .	254
Collate Width (COLLATE) Tag . . . . .	255
Set Characters per Inch (CPI) Tag . . . . .	255
Default Font ID (DFTFNTID) Tag . . . . .	256
Drawer Selection (DWRSLT) Tag . . . . .	256
Font ID Mapping (FNTMAP) Tag . . . . .	257
End Font ID Mapping (EFNTMAP) Tag . . . . .	258
Font Mapping Table Entry (FNTMAPE) Tag . . . . .	258
Font Quality (FONTQLTY) Tag . . . . .	258
Set Margin (MARGIN) Tag . . . . .	259
Set Page Length in Lines (PAGLENL) Tag . . . . .	259
Page Size for Printer Function Table (PAGSIZPFT) Tag . . . . .	260
Paper Feed (PRTFEED) Tag . . . . .	261
Paper Orientation (PRTORIENT) Tag . . . . .	261
Print Quality (PRTQLTY) Tag . . . . .	262
Tag Considerations for Customizing a Directly Attached ASCII Printer . . . . .	262
Using the Superscript and Subscript Tags. . . . .	262
Using the Set Page Length Tag . . . . .	263
Using the Font Selection Tags . . . . .	264
Customizing a Hewlett-Packard LaserJet Series III Printer that Uses the Emulator on the Workstation Controller . . . . .	266
Step 1: Planning the Customizing. . . . .	267
Step 2: Retrieving the Workstation Customizing Source . . . . .	276
Step 3: Changing the Source . . . . .	277
Step 4: Creating the Workstation Customizing Object . . . . .	304
Step 5: Varying On the Device. . . . .	304

---

## Chapter 9. Customizing Printers

This chapter provides a brief overview of the workstation customizing functions for printers. It describes different methods you can use to customize the functions of ASCII printers. A description of the differences between the methods should help you choose the most appropriate method for customizing the functions of your ASCII printers.

---

### Determining Whether an ASCII Printer Can Be Customized

To determine whether your ASCII printer should be customized, vary on the printer and print a small document or file. (Do not forget to start the printer writer and release the print job.) If your printout shows unusual characters or is missing highlighting or characters, you will probably want to customize the printer functions.

By using a process of experimentation and trial and error, you can determine whether or not an ASCII printer can be customized. Experiment with the printer after it has been connected and varied on. Use the information in this chapter to determine the method you should use to retrieve and customize the workstation customizing source for your ASCII printer. Workstation customizing functions support only the characters and functions that the device and the workstation controller, the display, or the host print transform function supports.

---

### Understanding ASCII Printer Function Support

ASCII printers process data using an ASCII data stream. The AS/400 system produces an EBCDIC data stream. Therefore, the EBCDIC data stream from the system must be converted to an ASCII data stream to support ASCII printer functions.

Mapping tables are used to convert EBCDIC data streams into ASCII data streams. AS/400 EBCDIC data streams are converted into ASCII data streams for a printer. The way you choose to convert the EBCDIC data stream into an ASCII data stream determines which printer customization method you use. The various conversion methods are described as follows.

1. You can use the host print transform function on the AS/400 system to convert the EBCDIC data stream to an ASCII data stream for ASCII printers attached in the following ways:
  - ASCII printers attached to twinaxial displays
  - ASCII printers attached to a personal computer or Personal System/2 through 5250 emulation products (such as Client Access/400)
  - ASCII printers directly attached to the AS/400 system through a serial interface

See Figure 39 on page 136 for an illustration of how ASCII printers that use the host print transform function can be attached to the AS/400 system.

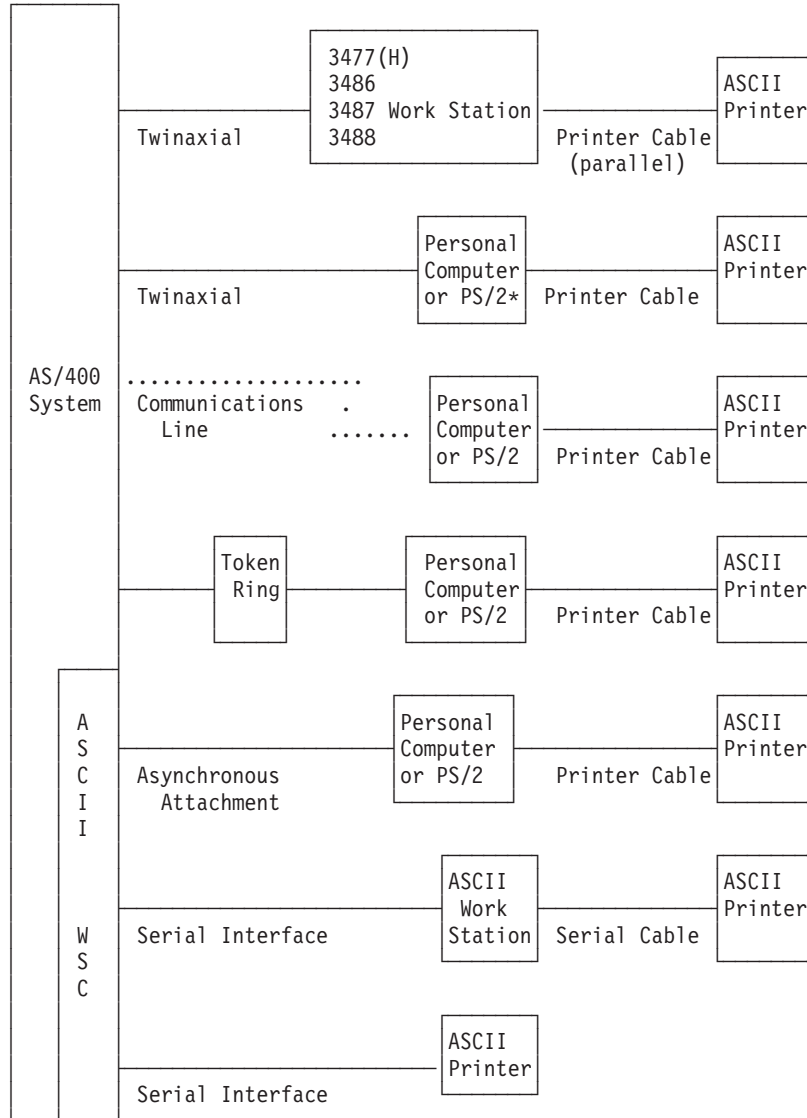


Figure 39. ASCII Printers That Use the Host Print Transform Function. This figure indicates the ways an ASCII printer that uses the host print transform function can be attached to the AS/400 system and can be customized. In this figure, WSC is an abbreviation for workstation controller.

When the host print transform function converts the data stream, the same ASCII data stream is always sent to a specific type of printer. The ASCII data stream sent to the printer does not depend on how the printer is attached to the AS/400 system.

The method of customizing printers that use the host print transform function provides more function, for more printer types, than other methods of customizing printers.

2. You can use an emulator on the display to convert the EBCDIC data stream to an ASCII data stream for printers attached to twinaxial displays. This conversion method may send a different ASCII data stream to a printer, depending on the type of display to which the printer is attached.

Figure 40 illustrates how ASCII printers that use the emulator on the display can be attached to the AS/400 system.

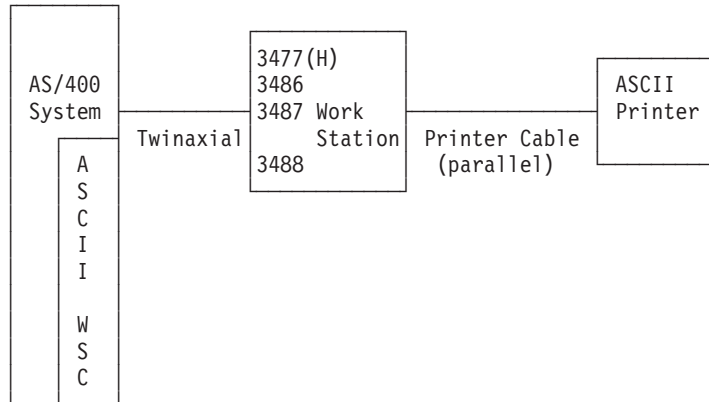


Figure 40. ASCII Printers That Use the Emulator on the Display. This figure indicates the way an ASCII printer that uses the emulator on the display can be attached to the AS/400 system and can be customized. In this figure, WSC is an abbreviation for workstation controller.

This conversion method maps to customizing printer functions for printers that use the emulator on the display. This customization method provides less function and consistency, for fewer printer types, than customizing printers that use host print transform function. The amount of printer function you can support with this method is determined by the type of display to which the printer is attached.

3. You can use an emulator on the workstation controller to convert the EBCDIC data stream to an ASCII data stream for directly attached printers. When an emulator on the local workstation controller converts the data stream, the same data stream is sent to a specific type of ASCII printer. It makes no difference which workstation controller attaches the printer to the AS/400 system. For example, the IBM 2637 ASCII Local Workstation Controller and IBM 6141 ASCII Local Workstation Controller send the same data stream to IBM 4019 LaserPrinters.

Figure 41 on page 138 illustrates how ASCII printers that use the emulator on the workstation controller can be attached to the AS/400 system.

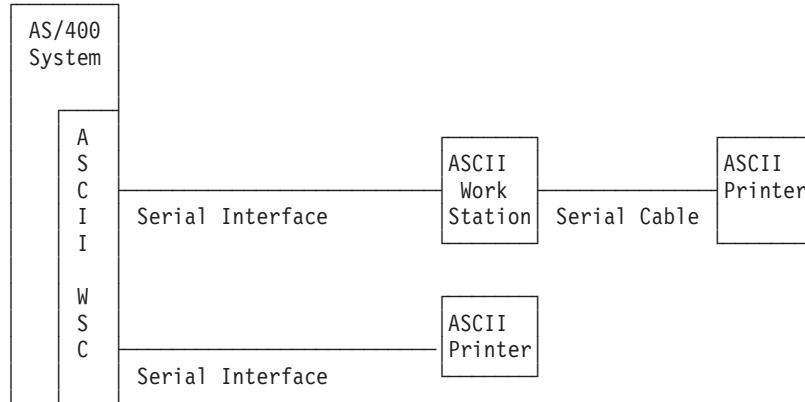


Figure 41. ASCII Printers That Use the Emulator on the Workstation Controller. This figure indicates the ways an ASCII printer that uses the emulator on the workstation controller can be attached to the AS/400 system and can be customized.

In this figure, WSC is an abbreviation for workstation controller.

This conversion method maps to customizing printer function for printers that use the emulator on the workstation controller. This method of customization provides less function, for fewer printer types, than customizing printers that use the host print transform function. Customizing printers that use the emulator on the workstation controller provides as much consistency, however, as customizing printers that use host print transform function.

---

## Choosing a Method for Customizing Printer Functions

The OS/400 workstation customizing functions allow you to customize the mapping tables used to define the functions supported by the ASCII printer. You can customize ASCII printers supported by IBM and ASCII printers that are not supported by IBM.

To customize printer functions, retrieve the source for the mapping tables that define printer functions. Then add to or change the source to customize printer functions for your printer. The content of the source you retrieve is determined by the type of printer customized and the method of customizing printer functions you use. You must choose the method of customizing printer functions that most closely matches your customization needs.

The way you choose to convert the EBCDIC data stream to an ASCII data stream determines which of the printer function customization methods you use.

- For ASCII printers that use the host print transform function, you customize the printer by changing the source containing the transform table. The printer can be attached to the AS/400 system in any of the ways shown in Figure 39 on page 136 .
- For ASCII printers that use the emulator on the display, you customize the printer by changing the source containing the printer definition table. The printer must be attached to a 3477 Model H, 3486, 3487, or 3488 twinaxial display station.
- For ASCII printers that use the emulator on the workstation controller, you customize the printer by changing the source containing:
  - The default printer EBCDIC-to-ASCII mapping table

- The printer function table
- The printer multilanguage EBCDIC-to-ASCII mapping table

The printer must be attached directly to the AS/400 system by way of a local ASCII workstation controller or attached to an ASCII display station.

## Printers that Use Host Print Transform Function

The printer data stream sent to the host print transform for ASCII printers attached to the AS/400 system is a data stream supported by twinaxial printers. A mapping table converts the twinaxial printer data stream into ASCII printer commands. The ASCII printer commands perform the same (or nearly the same) functions as those specified in the twinaxial printer data stream. It also converts character data specified in the application data stream as EBCDIC character code values into ASCII code values corresponding to those same characters.

To customize an ASCII printer that uses the host print transform function, you retrieve the source for the mapping table that defines printer functions. You need to know the printer manufacturer, type, and model to successfully retrieve the correct workstation customizing source for your printer.

The OS/400 workstation customizing functions provide source you can use when customizing printer functions for many printers sold by the following companies:

- Epson America Incorporated
- Hewlett-Packard Company
- IBM Corporation
- NEC Corporation
- Okidata Corporation
- Panasonic Corporation

**Note:** Customizing printer functions for ASCII printers that use the host print transform function is described in detail in Chapter 10. Customizing ASCII Printers That Use the Host Print Transform Function.

### The Mapping Table (Transform Table)

The host print transform function uses a specific mapping table (the transform table) to transform the printer data stream sent by the AS/400 system to a specific type of ASCII printer. Tags and commands that are part of the tag language for workstation customizing allow you to add the print characteristics that are not included in the system-provided transform table for the printer.

### Customizing the Mapping Table

To begin customizing an ASCII printer, you must retrieve the source file member that contains the workstation customizing source for the characteristics of your printer. When retrieving the source, you specify the manufacturer, type, and model of your ASCII printer.

The source you retrieve contains tags only for the specified printer. You add or customize tags to change the functions supported by the specified printer. To remove a function for the specified printer, remove tags from the source. Exceptions

are the EBCDIC-to-ASCII code page table and the font width values. These functions are read from default, system-provided mapping tables, even if you remove the tags from your source.

## **Advantages of Using the Host Print Transform Function**

Choosing to customize an ASCII printer that uses the host print transform function has advantages. The host print transform function provides:

- Support for more ASCII printers than are supported by a particular device emulator.
- Support for more printer functions than are supported by a specific device emulator.
- Consistent function across all connection methods.

## **Limitations of Using the Emulator on the AS/400 System**

When you consider customizing an ASCII printer, keep in mind the following limitation of the workstation customizing functions. Host print transform function cannot be used with double-byte character set (DBCS) printers, such as device types 5553 and 5583.

## **Printers that Use the Emulator on the Display**

Printers that use the emulator on the display can be customized only if the twinaxial display is a 3477 Model H, 3486, 3487, or 3488. Applications send printer data streams to these twinaxial displays through workstation controllers. The printer data stream sent for ASCII printers attached to these displays is a data stream supported by twinaxial printers.

The twinaxial display uses one mapping table (the printer definition table) to convert the twinaxial printer data stream into ASCII printer commands. The ASCII printer commands perform the same (or nearly the same) functions as those specified in the twinaxial printer data stream. It also converts character data specified in the application data stream as EBCDIC character code values into ASCII code values corresponding to those same characters. Many IBM ASCII printers are currently supported by the twinaxial displays.

**Note:** Customizing printer function for ASCII printers that use the emulator on the display is described in detail in Chapter 11. Customizing ASCII Printers That Use the Emulator on the Display.

### **The Mapping Table (Printer Definition Table)**

When you customize a printer definition table, it is downloaded from the workstation controller to the twinaxial display. It is then stored in the memory of the twinaxial display. When you set up the display, you specify a character set for the display. You also indicate that a specific type of ASCII printer is attached to the display.

When you vary on the display and printer, the character set and the printer definition table are used. They are used to convert the twinaxial printer data stream sent by an application to the ASCII characters and the ASCII function codes used by the printer.

The display station uses the printer definition table to convert the twinaxial printer data stream to an ASCII data stream for the printer. This table contains information



on the functional capabilities of the printer. It also contains information on the command sequences that must be sent to the printer to perform specific print functions.

The printer definition table used by the twinaxial display for a particular printer depends on the type of printer and the setup in the display. The twinaxial displays that support the connection of an ASCII printer support only a subset of the available print functions. This is a limitation of the display.

## **Customizing the Mapping Table**

The system provides you with a printer definition table for the device type you specify. It is this table that provides the source for an ASCII printer attached to a twinaxial display. Tags and commands that are part of the tag language for workstation customizing allow you to add the print characteristics that are not included in the system-provided printer definition table.

The primary tags for the workstation customizing source for an ASCII printer attached to a twinaxial display are the TKBDTBL (keyboard translation table) tag, and the PDFNTBL (ASCII printer definition table) tag. These tags denote the beginning of specific groups of tags that may occur in any order following the primary tags. Because the order and placement of the primary tags in each source file member are strictly enforced by the workstation customizing object compiler, the tag groups must remain intact. You add or customize tags to change the functions supported by the specified printer. You must set the ASCII data value to null ('0000'X) for a tag to remove a function for the specified printer.

If you remove a tag from the source, a value for the tag is read from system-provided tables when the device is varied on. Therefore, if you want to customize only printer functions, you can delete all tags for keyboard functions from your customized object.

## **Advantages of Using the Emulator on the Display**

Choosing to customize an ASCII printer that uses the emulator on the display allows you to continue to use existing customizing source for printers. You may want to continue using existing customizing source instead of creating new customizing objects for the host print transform function.

## **Limitations of Using the Emulator on the Display**

When you consider customizing an ASCII printer attached to a twinaxial display, keep in mind the following limitations of the workstation customizing functions.

- If you want to customize an ASCII printer attached to a 3477 display, the 3477 must be a Model H. If it is not a Model H, the 3477 display must be upgraded to a Model H. The workstation customizing functions do not support the earlier models of this display. To determine whether or not your 3477 is a Model H, see "Setting Up a 3477 Twinaxial Display" on page 371.
- Depending on the device type and the print characteristics you need to customize, a lot of trial and error is involved in the customizing process. It could take anywhere from a few hours to a few days to perform a complete customization. The amount of time depends on the complexity of the printer (laser or line-oriented) and on the number of changes you need to make.
- The system-provided source for the printer definition table is for a line-oriented printer. If you are customizing to use a laser printer, you will need to make many changes to the retrieved source.

## Printers that Use the Emulator on the Workstation Controller

The ASCII workstation controller supports ASCII printers as emulated twinaxial printers. The printer data stream sent to the workstation controller by an application is a data stream supported by twinaxial printers. Using twinaxial printer emulation, the ASCII workstation controller converts the twinaxial printer data stream into ASCII printer commands. The ASCII printer commands perform the same (or nearly the same) functions as those specified in the twinaxial printer data stream. The workstation controller also maps character data specified in the application data stream as EBCDIC code values into their corresponding ASCII code values.

When you retrieve source to customize an ASCII printer that uses the emulator on the workstation controller, you retrieve customization source for the specified printer. To successfully retrieve the correct workstation customizing source for your printer, you must know the printer device type and the keyboard language type. The OS/400 workstation customizing functions provide mapping tables you can use as source for many IBM ASCII printers.

**Note:** Customizing printer function for ASCII printers that use the emulator on the workstation controller is described in detail in Chapter 12. Customizing ASCII Printers That Use the Emulator on the Controller.

### The Mapping Tables (Default EBCDIC-to-ASCII, Function, and Multilanguage EBCDIC-to-ASCII)

The ASCII workstation controller uses these tables to map commands and data to an ASCII format for a specified printer:

1. Default printer EBCDIC-to-ASCII mapping table. The default EBCDIC-to-ASCII mapping table converts an EBCDIC character specified in an application data stream into a single ASCII character code value (for that same character).
2. Printer function table. The ASCII printer function table contains information used in the process of converting the twinaxial printer data stream into an ASCII data stream. This table provides the ASCII workstation controller with information on the functional capabilities of the printer. It also provides information on the command sequences that must be sent to the printer for particular print functions.

Generally, each unique type of ASCII printer is supported by a unique printer function table. For a given type of printer, the same printer function table is used regardless of the language configured for the printer.

3. Printer multilanguage EBCDIC-to-ASCII mapping table. The multilanguage EBCDIC-to-ASCII mapping table contains EBCDIC-to-ASCII mapping information for all the EBCDIC code pages that an application sending data to an ASCII printer can select. The workstation controller uses information in this table (rather than information in the default EBCDIC-to-ASCII table) when the data stream sent to the printer contains a command to use a different code page.

These tables are downloaded to the workstation controller when the printer is varied on. The workstation controller downloads a particular multilanguage EBCDIC-to-ASCII mapping table when a printer is varied on, only if the same table has not previously been downloaded for another printer.

## Customizing the Mapping Tables

When you retrieve source to customize a printer that uses the emulator on the workstation controller, you must do the following:

- Specify an ASCII printer for the device type.
- Specify the same language type as you did when you created the device description.

The source you retrieve contains three mapping tables for the specified printer. The three particular tables you see depend on the type of printer and the language configured for the printer.

After you retrieve the workstation customizing source, determine which of the mapping tables in the source you need to change. Verify that the printer is capable of printing the characters you need and performing any special functions you want to add. Then print a file from the application that is to use this printer for its output.

For example, if your organization uses the OfficeVision/400 program word processing function, you can print a single-page document. You should print the document from the printer you intend to use with the application. The document should include some of the formatting characteristics you want to add or change. Printing a document from the application allows you to determine which characters and functions are not usable from that application data stream. You can change the characters and the formatting characteristics that do not print correctly.

Use the reference manual for the printer and the tags in your retrieved source to change the existing printer mapping tables. By changing the existing printer mapping tables, you can add any new, supported print functions you need.

## Advantages of Using the Emulator on the Workstation Controller

Choosing to customize an ASCII printer that uses the emulator on the workstation controller allows you to continue to use existing customizing source for printers. You may want to continue using existing customizing source instead of creating new customizing objects for the host print transform function.

## Limitations of Using the Emulator on the Workstation Controller

When considering the customizing of a directly attached ASCII printer, keep in mind the following limitations of the OS/400 workstation customizing functions:

- Depending on the device type and the print characteristics you need to customize, a lot of trial and error is involved in the customizing process. It could take anywhere from a few hours to a few days to perform a complete customization. The amount of time you spend depends on whether or not the printer is a currently supported device. The amount of time also depends on the number of changes and additions you need to make.
- The workstation controller has limited storage for storing the mapping tables used for any device type. Many of the tags you can use to customize an ASCII printer require an ASCII control sequence (hexadecimal value) for a parameter value. The maximum acceptable length of the hexadecimal value is 240 bytes. The maximum length allowed for a complete printer function table is 3584 bytes of functional data. Use a combination of the printer reference manual and trial and error to keep the ASCII control sequences to a reasonable length.

- You must specify the same language type for the Retrieve Work Station Customizing Object Source (RTVWSCST) command as you specified in the printer device description. Otherwise, the device cannot be varied on.

---

## Chapter 10. Customizing ASCII Printers That Use the Host Print Transform Function

This chapter describes how you can use the workstation customizing functions to customize the functions of ASCII printers that use the host print transform function. Using the workstation customizing functions you can:

- Customize the functional characteristics of a supported ASCII printer
- Customize the functional characteristics and specify all necessary parameters required to support a normally unsupported ASCII printer

Use the following steps to customize the functional characteristics of an ASCII printer:

1. Prepare for the customization.
2. Retrieve the workstation customization source.
3. Change the workstation customization source.
4. Create a customizing object that contains the changed printer attributes.
5. Change the printer device description to specify the customizing object.

**Note:** Refer to “Appendix B. Source Code Examples” on page 311 for examples that will help you understand and work with the values for the tags that are described in this chapter.

---

### Preparing to Customize an ASCII Printer

You must gather source materials, complete printer set-up, and plan adequate time in your schedule to customize an ASCII printer.

### Gathering Source Materials

Before you can begin customizing an ASCII printer, you must have information on the functions the ASCII printer supports. (You can only add or change printing functions that a printer supports.) You also need the hexadecimal values for these functions. The hexadecimal code information for your device is critical to the workstation customizing process. Often, the reference manual for the printer provides this information.

### Completing Printer Setup

Before you begin printer customization, complete the following steps to set up both supported and unsupported printers:

- Set up all the necessary hardware to connect the printer to the AS/400 system.
- Set up any programmable features that are provided by the printer.

This may involve some internal programming on the printer itself, setting device independent programming (DIP) switches, or selecting a printer to emulate. If you are using a non-IBM printer, check the reference manual to see if it emulates any IBM printers. If it does, set the emulation for the IBM printer. This may simplify the customizing process.

- Create the necessary controller and device descriptions, if they do not already exist. Some device descriptions for printers can be automatically created using automatic configuration.

After setting up and turning on the ASCII printer, use one of your usual applications to print a short test document. This is the starting point for workstation customizing.

## Planning the Customization Schedule

Customizing an ASCII printer may involve a trial-and-error process. The amount of work that is required to customize a printer depends on:

- The type of printer
- Whether or not the printer is already printing
- The completeness of the manual for the printer

You should plan anywhere from 1 to 5 days to complete a successful ASCII printer customization.

## Customizing Unsupported ASCII Printers

To customize an unsupported ASCII printer, ask the following questions:

- Can the printer emulate a supported ASCII printer?  
If so, set it up to use the emulation. It could make your customizing easier.
- What printer functions and national characters do I want this printer to support?  
Write these down so that you can answer the next question.
- Does the printer itself support the functions I need?  
Check the manual to determine this. If the printer cannot support the functions you need, you cannot customize the printer to provide these functions.

---

## Retrieving the Workstation Customizing Source

To begin customizing an ASCII printer that uses the host print transform function, you must retrieve the source file member that contains the workstation customizing source. You can then change your printer's characteristics. When retrieving the source, specify the manufacturer, type, and model of the ASCII printer you want to customize. The source you retrieve is a copy of the transform table for the printer manufacturer, type, and model you specify.

## Understanding the Transform Table

The host print transform function uses a transform table to transform the printer data stream that is sent by the AS/400 system to an attached ASCII printer. Some of the functional characteristics within the transform table include:

- Line spacing
- Pitch (characters per inch)
- Page size
- Highlighting characteristics (bold, underline)
- Draft, letter, or text quality printing
- Subscripting and superscripting
- Initialization and reset sequences

## Choosing the Customizing Source

When you decide to customize an ASCII printer, you need to retrieve the correct source for your printer. Use the Retrieve Work Station Customizing Object Source (RTVWSCST) command to retrieve the source.

1. Type RTVWSCST and press the Enter key.
2. Specify a device type of \*TRANSFORM and press the Enter key.
3. Specify the printer manufacturer, type, and model (MFRTYPMDL parameter). To see a complete list of ASCII printers supported, press F4 (Prompt) on the *Manufacturer type and model* field.

**Note:** If you are customizing a laser printer that is not listed, you may want to select the \*HP11 value. Many laser printers have printer functions similar to those provided by the Hewlett-Packard LaserJet Series II.

4. Specify a name for the source file member to be created for the transform table you want to retrieve. This should be a name you can easily remember.
5. Specify a library and source file name in which to store the source file member you specified in the previous step. The library you specify must exist.
6. Specify a text description for the source file member if it does not already have one. This description should be unique.

The system provides you with a transform table for a specific ASCII printer.

---

## Changing the Source

You use printer function tags to change the ASCII control sequence for an individual printer function. You change, add, or delete the printer function tags by editing the source file member for the retrieved source using the source entry utility (SEU). See “Using Source Entry Utility to Change the Tags and Keywords” on page 19 for complete instructions on using SEU to change the source file member.

The source file member has the following format:

```
:WSCST DEVCLASS=TRANSFORM.  
  :TRNSFRMTBL.  
  .  
  .  
  tag or comment  
  .  
  .  
:EWSCST.
```

**Note:** A period must follow the last data element within a tag entry.

## Transform Table (TRNSFRMTBL) Tag

The TRNSFRMTBL (transform table) tag defines a transform table for an ASCII printer that uses the host print transform function. The syntax for this tag is:

```
:TRNSFRMTBL.
```

There are no parameters that are associated with this tag. The tag is immediately followed by a number of separate printer function tags that make up the table entries. See “Using the Tags” on page 148 for more information about the individual printer function tags.

## Using the Tags

Following are descriptions of the valid printer functions and corresponding tags for a device class of TRANSFORM. These tags must follow the transform table tag (TRNSFRMTBL) in your source.

The syntax for each tag is shown and is followed by the tag description. Some tags have only a data parameter. Other tags have more than one parameter to describe variables within the functions.

**Note:** A period must follow the last data element within a tag entry.

The printer function tags are divided into the following general tasks for customizing:

- | Printer information
- | Printer controls
- | Print media size
- | Highlighting
- | Horizontal movement
- | Vertical movement
- | Indexing
- | Color
- | Paper input
- | Paper output
- | Print orientation
- | Print quality
- | Fonts
- | Code page support
- | Fax support
- | Double-byte character set (DBCS) support

**Note:** Refer to “Customizing Double-Byte Character Set (DBCS) Support” on page 191 for information about DBCS support.

## Programming Considerations

In general, when you customize a transform table, the host print transform function uses only tags that are defined in your customizing object. You can delete function tags from the retrieved source when creating your customizing object. The host print transform function then assumes a null value for the ASCII control sequence for that function.

The absence of a specific printer function tag after the TRNSFRMTBL tag implies that particular printer function is not mapped and cannot be used. If the same printer function tag occurs multiple times following a TRNSFRMTBL tag, warning messages are not sent to the job log. The customizing object uses the last occurrence of the tag in the source to map the printer function.

Programming considerations for specific tags, or specific tag sets, are included in the description of those tags.



## Customizing Printer Information

Customizing printer information allows you to control how the host print transform processes AS/400 print jobs.

You can customize the following printer information:

- Printer data stream
- Raster mode
- No-print borders
- Drawer page size

### Printer Data Stream (PRTDTASTRM) Tag

The PRTDTASTRM (printer data stream) tag identifies the printer data stream or raster image format generated by the host print transform. The syntax for this tag is:

```
:PRTDTASTRM
    DATASTREAM = NULL|IBMPPDS1|IBM3812|HPPCL4|
                IBMPPDS2|EPSON|NEC|IBMGRAPHICS|
                HPPCL5|HPPCL4I|HPPCL5I|IBMPPDS3|
                IBMPPDS3I|IBMPPDS4|IBMPPDS4I|
                TIFF_PB|TIFF_G4|IOCA_G3MH|IOCA_G3MRK2|
                IOCA_G3MRK4|IOCA_IBMMMR|IOCA_NOCOMP.
```

#### DATASTREAM

A required parameter. The DATASTREAM tag specifies the type of printer data stream supported. Values are:

Value	Description	Raster Mode Supported
EPSON	The Epson printer data stream is supported.	No
HPPCL4	The Hewlett-Packard PCL4 printer data stream is supported.	Yes
HPPCL4I <sub>1</sub>	The Hewlett-Packard PCL4 printer data stream is supported in raster mode. This value means the same to the SCS-to-ASCII transform as HPPCL4. For the AFP-to-ASCII transform, this value causes it to go into raster mode for a PCL4 printer.	Yes
HPPCL5	The Hewlett-Packard PCL5 printer data stream is supported.	Yes
HPPCL5I <sub>1</sub>	The Hewlett-Packard PCL5 printer data stream is supported in raster mode. This value means the same to the SCS-to-ASCII transform as HPPCL5. For the AFP-to-ASCII transform, this value causes it to go into raster mode for a PCL5 printer.	Yes
IBMGRAPHICS	The IBM graphics printer data stream is supported.	No
IBMPPDS1	The IBM page printer data stream level 1 is supported.	No
IBMPPDS2	The IBM page printer data stream level 2 is supported.	No
IBMPPDS3	The IBM personal printer data stream level 3 is supported. This is used for the IBM 4019 printer. Supported functions over level 2 are rotation and image.	Yes

Value	Description	Raster Mode Supported
IBMPPDS3I <sub>1</sub>	The IBM personal printer data stream level 3 is supported in raster mode. This value means the same to the SCS-to-ASCII transform as IBMPPDS3. For the AFP-to-ASCII transform, this value causes the printer data stream to go into raster mode for a PDS level 3 (4019) printer.	Yes
IBMPPDS4	The IBM personal printer data stream level 4 is supported. This is used for the IBM 4029 printer. Supported functions over level 3 are multiple rotations on a page and compressed image.	Yes
IBMPPDS4I <sub>1</sub>	The IBM personal printer data stream level 4 is supported in raster mode. This value means the same to the SCS-to-ASCII transform as IBMPPDS4. For the AFP-to-ASCII transform, this value causes the printer data stream to go into raster mode for a PPDS level 3 (4029) printer.	Yes
IBM3812	The IBM 3812 printer data stream is supported.	No
IOCA_G3MH	IBM IOCA raster image format with G3 modified Huffman compression.	Yes
IOCA_G3MRK2	IBM IOCA raster image format with G3 modified read K=2 compression.	Yes
IOCA_G3MRK4	IBM IOCA raster image format with G3 modified read K=4 compression.	Yes
IOCA_IBMMMR	IBM IOCA raster image format with IBM modified modified read compression.	Yes
IOCA_NOCOMP	IBM IOCA raster image format with no compression.	Yes
NEC	The NEC printer data stream is supported.	No
NULL	The printer data stream supported is not known.	No
TIFF_G4	Tagged Image File Format with G4 compression.	Yes
TIFF_PB	Tagged Image File Format with packed bit compression.	Yes
<b>Notes:</b>		
1. These types are valid, but it is recommended that you should use the raster mode tag.		

## Raster Mode (RASTERMODE) Tag

The host print transform supports two output modes mapping mode and raster mode. In mapping mode, AS/400 printer commands and data are converted to similar ASCII printer commands and data. In raster mode, a raster image of the AS/400 print job is created.

The default mode is mapping mode. The RASTERMODE (raster mode) tag allows you to specify that the host print transform should generate raster image output. The PRTDTASTRM (printer data stream) tag determines the format of the raster image output.

**Note:** All data streams values do not support raster mode. Refer to “Printer Data Stream (PRTDTASTRM) Tag” on page 149.

The RASTERMODE tag enables raster mode that is based on the AS/400 print job type. The syntax is:

```
:RASTERMODE
  SCS = YES | NO
  AFP = YES | NO.
```

### SCS

This is a required parameter. SCS determines if the host print transform converts the SCS print data stream to the raster mode image format that is specified in the printer data stream tag.

### AFP

This is a required parameter. AFP determines if the host print transform converts the AFP print data stream to the raster mode image format that is specified in the printer data stream tag.

## No-print Border (NOPRTBDR) Tag

The NOPRTBDR (no-print border) tag allows you to define the physical area on which printing cannot be done. The no-print border size is based on the physical restrictions of your printer. You may find the no-print border referred to as the “unprintable area,” when looking it up in your printer manual.

If the no-print border is defined, it is included in the top, bottom, left, and right margins that are used for an AS/400 print job. For example, if you specify a value of 1/2 inch for the top, portrait no print border, and the AS/400 document sets a top margin of 1 inch, the host print transform only advances your ASCII printer position 1/2 inch. The effect is that the printed document has a 1-inch top margin.

The syntax for this tag is:

```
:NOPRTBDR
  OPTION = TOP|LEFT|RIGHT|BOTTOM
  ORIENT = PORTRAIT|LANDSCAPE
  DATA = no print border size in
          1440ths of an inch (integer).
```

### OPTION

A required parameter. Defines the border type.

TOP	Sets no-print border at the top of the paper.
LEFT	Sets no-print border on the left side of the paper.
RIGHT	Sets no-print border on the right side of the paper.
BOTTOM	Sets no-print border at the bottom of the paper.

### ORIENT

A required parameter. Defines the type of paper orientation. Some printers have different unprintable areas based on the orientation of the printed output.

PORTRAIT	The no-print border specified is for portrait-oriented print.
LANDSCAPE	The no-print border specified is for landscape-oriented print.

### DATA

A required parameter. Specifies the size of the no print in 1/1440-inch increments. This value must be an integer.

## Drawer Page Size

The DWRPAGSIZ (drawer page size) tag defines the size of the paper present in a specific source paper drawer.

In raster mode, this paper size is used to allocate the raster page buffer. The SCS to ASCII transform uses this paper size to determine if COR mode is required.

If the drawer size is not defined, the host print transform uses the page size that is specified in the AS/400 print job.

You can define a drawer size for one or more of the source drawers. You begin support for the drawer page size with the DWRPAGSIZ tag and end the support with the EDWRPAGSIZE tag. The DWRPAGSIZE tags fall between, defining a drawer and its size.

Using the drawer page size tags, your source could look something like this for a printer supporting two different source drawers.

```
:DWRPAGSIZ.  
  :DWRPAGSIZE...  
  :DWRPAGSIZE...  
:EDWRPAGSIZ.
```

The following sections describes the tags used to support different drawer sizes.

### Drawer Page Size (DWRPAGSIZ) Tag

The DWRPAGSIZ tag defines the page size for a source drawer. This tag must be followed by one or more DWRPAGSIZE tags that contain the drawer size. There are no parameters on this tag. The syntax is:

```
:DWRPAGSIZ.
```

### Drawer Page Size Entry (DWRPAGSIZE) Tag

The DWRPAGSIZE tag defines the page size for a particular source drawer. The DWRPAGSIZ tag must be followed by one or more DWRPAGSIZE tags. The EDWRPAGSIZE tag must follow a group of DWRPAGSIZE tags. The syntax is:

```
:DWRPAGSIZE  
  DRAWER = 0-255  
  PAGWTH = Page width  
  PAGLEN = Page length.
```

#### **DRAWER**

This is a required parameter. This parameter defines the source drawer.

**0** The envelope drawer is specified.

**1-255** The drawer 1-255 is specified.

#### **PAGWTH**

This is a required parameter. This parameter specifies the drawer page width in 1/1440 inch increments. This value must be an integer. The width is the left-to-right dimension of a piece of paper.

#### **PAGLEN**

This is a required parameter. This parameter specifies the drawer page length in 1/1440 inch increments. This value must be an integer. The width is the top-to-bottom dimension of a piece of paper.

## End Drawer Page Size (EDWRPAGSIZ) Tag

The EDWRPAGSIZ tag is used to end a group of drawer page size entries in the customizing source. There are no parameters on this tag. The syntax is:

```
:EDWRPAGSIZ.
```

---

## Customizing Printer Controls

You can customize the following general printer control functions:

- Bell
- Carrier return
- Initialize printer
- Reset printer
- End raster graphics
- Print all characters
- Print next character

### Bell (BELL) Tag

The BELL (bell) tag defines the ASCII control sequence for the bell function for an ASCII printer. The bell function sounds the printer bell or beeper briefly. The syntax for this tag is:

```
:BELL  
    DATA = ASCII control sequence.
```

#### DATA

A required parameter. Specifies the ASCII control sequence for the bell function. This must be a hexadecimal value.

### Carrier Return (CARRTN) Tag

The CARRTN (carrier return) tag defines the ASCII control sequence for the carrier return function for an ASCII printer. The CARRTN function returns the carrier to the left margin, without advancing a line. The syntax for this tag is:

```
:CARRTN  
    DATA = ASCII control sequence.
```

#### DATA

A required parameter. Specifies the ASCII control sequence for the carrier return function. This must be a hexadecimal value.

### Initialize Printer (INITPRT) Tag

The INITPRT (initialize printer) tag defines the ASCII control sequence for the initialize printer function for an ASCII printer. The host print transform function uses the INITPRT tag at the beginning of each print job. The syntax for this tag is:

```
:INITPRT  
    DATA = ASCII control sequence.
```

#### DATA

A required parameter. Specifies the ASCII control sequence for the initialize printer function. This must be a hexadecimal value.

## Reset Printer (RESETPRT) Tag

The RESETPRT (reset printer) tag defines the ASCII control sequence for the reset printer function for an ASCII printer. The RESETPRT tag is used by the host print transform at the end of each print job. The syntax for this tag is:

```
:RESETPRT
    DATA = ASCII control sequence.
```

### DATA

A required parameter. Specifies the ASCII control sequence for the reset printer function. This must be a hexadecimal value.

## Raster Graphics End (RASEND) Tag

This tag causes the printer to end raster graphics (image) mode. The syntax of this tag is:

```
:RASEND
    DATA = ASCII control sequence.
```

### DATA

A required parameter. This parameter specifies the printer control sequence for the raster graphics end printer function. This must be a hexadecimal value.

## Print All Characters (PRTALLCHR) Tag

The PRTALLCHR tag causes the printer to interpret the bytes that follow as printable characters rather than control codes. The PRTNXTCHR provides the same function for one byte. The syntax is:

```
:PRTALLCHR
    VAROFFSET = variable offset in control sequence
    VARLEN = variable length
    VARTYPE = HIGHLOW|LOWHIGH|CHRDEC|CHRHEX|CHRAN
    DATA = ASCII control sequence.
```

### VAROFFSET

This is a required parameter. This parameter specifies the offset for the variable portion of the control sequence. This value must be an integer.

**Note:** This offset is relative to the beginning of the control sequence. Therefore, a value of 0 implies that the variable starts in the first byte of the control sequence.

### VARLEN

This is a required parameter. This parameter specifies the length of the variable portion of the control sequence. This value must be an integer (number of bytes).

### VARTYP

A required parameter. This parameter specifies the type of variable that is used with the category of printer function tags.

HIGHLOW	The byte order of the variable is in high-low order. The most significant byte is first.
LOWHIGH	The byte order of the variable is in low-high order. The most significant byte is last.

CHRDEC	The variable is in character decimal format with no byte order consideration. All characters are in the range of 0 to 9. Many Hewlett-Packard ASCII printers use this type of variable.
CHRHEX	The variable is in character hexadecimal format with no byte order consideration. All characters are in the range of A to F.
CHRAN	The variable is in character alphanumeric format with no byte order consideration. All characters are in the range of 0 to 9, A to Z.

**DATA**

A required parameter. This parameter specifies the ASCII control sequence for the set top margin (inches) printer function. This must be a hexadecimal value.

## Print Next Character (PRTNXTCHR) Tag

This tag causes the next byte of data to be treated as a character rather than a printer control. The syntax of this tag is:

```
:PRTNXTCHR
    DATA      = ASCII control sequence.
```

**DATA**

A required parameter. This parameter specifies the ASCII control sequence for the print-next character printer function. This must be a hexadecimal value.

## Customizing Print Media Size

The workstation customizing functions allow you to customize print media size for an ASCII printer. You can:

- Customize envelope size
- Customize paper size
- Customize page length
- Customize printable area

## Envelope Size

You can customize selecting various sizes of envelopes. You begin support for various envelope sizes with an ENVSIZXFM tag, and end the support with an EENVSIZXFM tag. The ENVSIZ tags fall between the start and end tags to define each different envelope size.

Using the envelope definition tags, your source could look something like this for a printer supporting two different envelope sizes:

```
:ENVSIZXFM.
    :ENVSIZ....
    :ENVSIZ....
:EENVSIZXFM.
```

Following is a description of each of the tags used to support different envelope sizes for an ASCII printer.

## Envelope Size for Transform (ENVSIZXFM) Tag

The ENVSIZXFM (envelope size for transform) tag begins a group of different envelope size entry tags. The ENVSIZXFM tag must be followed by one or more envelope size entry tags (ENVSIZE) containing the envelope sizes. The syntax for the ENVSIZXFM tag is:

```
:ENVSIZXFM.
```

## Envelope Size Entry (ENVSIZE) Tag

The ENVSIZE (envelope size entry) tag defines an ASCII control sequence to set one envelope size for the transform table. One or more of these tags follow an ENVSIZXFM tag. A group of one or more of these tags must be followed by an EENVSIZXFM tag. The syntax for the ENVSIZE tag is:

```
:ENVSIZE
    ENVWTH = envelope width
    ENVLEN = envelope length
    DATA = ASCII control sequence.
```

### ENVWTH

A required parameter. Specifies the envelope width in 1/1440-inch increments. This value must be an integer. The width is the left-to-right dimension when the envelope is in its normal orientation.

### ENVLEN

A required parameter. Specifies the envelope length in 1/1440-inch increments. This value must be an integer. The length is the top-to-bottom dimension when the envelope is in its normal orientation.

### DATA

A required parameter. Specifies the ASCII control sequence for the specified envelope size entry. This must be a hexadecimal value.

## End Envelope Size for Transform (EENVSIZXFM) Tag

The EENVSIZXFM (end envelope size for transform) tag ends a group of envelope size entries. The syntax for this tag is:

```
:EENVSIZXFM.
```

## Paper Size

You can customize selecting various sizes of paper. You begin support for various paper sizes with a PAGESIZXFM tag, and end the support with an EPAGESIZXFM tag. The PAGESIZE tags fall between the start and end tags to define each different page size.

Using the page size definition tags, your source could look something like this for a printer supporting five separate page sizes:

```
:PAGESIZXFM.
    :PAGESIZE....
    :PAGESIZE....
    :PAGESIZE....
    :PAGESIZE....
    :PAGESIZE....
:EPAGESIZXFM.
```

Following is a description of each of the tags used to support different page sizes for an ASCII printer.



## Page Size for Transform (PAGSIZXFM) Tag

The PAGSIZXFM (page size for transform) tag defines the ASCII control sequences for a group of different page sizes. The PAGSIZXFM tag must be followed by one or more PAGESIZE (page size entry) tags containing the page sizes. The syntax for the PAGSIZXFM tag is:

```
:PAGSIZXFM.
```

## Page Size Entry (PAGESIZE) Tag

The PAGESIZE (page size entry) tag defines the ASCII control sequence to set one page size. One or more of these tags must follow the PAGSIZXFM (set page size for transform) tag. A group of PAGESIZE tags must be followed by an EPAGSIZXFM (end set page size for transform) tag. The syntax for this tag is:

```
:PAGESIZE
    PAGWTH = page width
    PAGLEN = page length
    DATA = ASCII control sequence.
```

### PAGWTH

A required parameter. Specifies the page width in 1/1440-inch increments. This value must be an integer. The width is the left-to-right dimension of a piece of paper when it is in its normal orientation.

### PAGLEN

A required parameter. Specifies the page length in 1/1440-inch increments. This value must be an integer. The length is the top-to-bottom dimension of a piece of paper when it is in its normal orientation.

### DATA

A required parameter. Specifies the ASCII control sequence for selecting a specific page size entry. This must be a hexadecimal value.

## End Page Size for Transform (EPAGSIZXFM) Tag

The EPAGSIZXFM (end page size for transform) tag ends a group of page size entries in the customizing source. The syntax for this tag is:

```
:EPAGSIZXFM.
```

## Page Length

You can set page length in lines or in inches. Following is a description of the tags used to customize page length.

## Page Length in Inches (PAGLENI) Tag

The PAGLENI (page length in inches) tag sets the page length in terms of inches. The syntax for this tag is:

```
:PAGLENI
    VAROFFSET = variable offset in
                control sequence
    VARLEN = variable length
    VARTYPE = HIGHLOW|LOWHIGH|CHRDEC|
             CHRHEX|CHRAN
    CNVNUM = conversion ratio
            numerator
    CNVDEN = conversion ratio
            denominator
    DATA = ASCII control sequence.
```

**VAROFFSET**

A required parameter. Defines the offset for the variable portion of the control sequence. This value must be an integer.

**Note:** This offset is relative to the beginning of the control sequence. Therefore, a value of zero (0) implies that the variable starts in the first byte of the control sequence.

**VARLEN**

A required parameter. Defines the length of the variable portion of the control sequence. This value must be an integer (number of bytes).

**Note:** When specifying this parameter, ensure that the length of the offset specified is large enough to accommodate the maximum size of your variable data.

**VARTYPE**

A required parameter. Defines the type of variable used with the set page length in inches tag.

HIGHLOW	The byte order of the variable is in high-low order. The first byte is the most significant.
LOWHIGH	The byte order of the variable is in low-high order. The last byte is the most significant.
CHRDEC	The variable is in character decimal format with no byte order consideration. All characters are in the range from 0 to 9. Many Hewlett-Packard printers use this variable type.
CHRHEX	The variable is in character hexadecimal format with no byte order consideration. All characters are in the range from 0 to 9, A to F.
CHRAN	The variable is in character alphanumeric format with no byte order consideration. All characters are in the range from 0 to 9, A to Z.

**CNVNUM**

A required parameter. Defines the numerator of the conversion ratio. This value must be an integer. The most common value for CNVNUM is 1.

**CNVDEN**

A required parameter. Defines the denominator of the conversion ratio. This value must be a nonzero integer. The most common value for CNVDEN is 1.

**DATA**

A required parameter. Specifies the ASCII control sequence for setting the page length in inches. This must be a hexadecimal value.

**Page Length in Lines (PAGLENL) Tag**

The PAGLENL (page length in lines) tag sets the page length in terms of the number of lines. The number of lines is carried as a variable in the control sequence for page length. The syntax for this tag is:

```
:PAGLENL
  VAROFFSET = variable offset in
             control sequence
  VARLEN = variable length
  VARTYPE = HIGHLOW|LOWHIGH|CHRDEC|
           CHRHEX|CHRAN
  DATA = ASCII control sequence.
```

**VAROFFSET**

A required parameter. Defines the offset for the variable portion of the control sequence. This value must be an integer.

**Note:** This offset is relative to the beginning of the control sequence. Therefore, a value of zero (0) implies that the variable starts in the first byte of the control sequence.

**VARLEN**

A required parameter. Defines the length of the variable portion of the control sequence. This value must be an integer (number of bytes).

**VARTYPE**

A required parameter. This attribute defines the type of variable. Possible values are:

HIGHLOW	The byte order of the variable is in high-low order. The first byte is the most significant.
LOWHIGH	The byte order of the variable is in low-high order. The last byte is the most significant.
CHRDEC	The variable is in character decimal format with no byte order consideration. All characters are in the range 0 to 9. Many Hewlett-Packard printers use this variable type.
CHRHEX	The variable is in character hexadecimal format with no byte order consideration. All characters are in the range 0 to 9, A to F.
CHRAN	The variable is in character alphanumeric format with no byte order consideration. All characters are in the range 0 to 9, A to Z.

**DATA**

A required parameter. Specifies the ASCII control sequence for setting the page length in lines. This must be a hexadecimal value.

## Printable Area

### Text Length in Lines (TEXTLENL) Tag

This tag specifies the text length in lines. The syntax of this tag is:

```
:TEXTLENL
  VAROFFSET = variable offset in
             control sequence
  VARLEN    = variable length
  VARTYPE   = HIGHLOW|LOWHIGH|CHRDEC|
             CHRHEX|CHRAN
  DATA     = ASCII control sequence.
```

**VAROFFSET**

A required parameter. This parameter specifies the offset for the variable portion of the control sequence. This value must be an integer.

**Note:** This offset is relative to the beginning of the control sequence. Therefore, a value of 0 implies that the variable starts in the first byte of the control sequence.

**VARLEN**

A required parameter. This parameter specifies the length of the variable portion of the control sequence. This value must be an integer (number of bytes).

### VARTYP

A required parameter. This parameter specifies the type of variable that is used with the category of printer function tags.

HIGHLOW	The byte order of the variable is in high-low order. The most significant byte is first.
LOWHIGH	The byte order of the variable is in low-high order. The most significant byte is last.
CHRDEC	The variable is in character decimal format with no byte order consideration. All characters are in the range of 0 to 9. Many Hewlett-Packard ASCII printers use this type of variable.
CHRHEX	The variable is in character hexadecimal format with no byte order consideration. All characters are in the range of A to F.
CHRAN	The variable is in character alphanumeric format with no byte order consideration. All characters are in the range of 0 to 9, A to Z.

### DATA

A required parameter. This parameter specifies the ASCII control sequence for the set-text-length-in-lines printer function. This must be a hexadecimal value.

### Top Margin in Inches (TOPMARGINI) Tag

This tag specifies the top margin in inches. The syntax of this tag is:

```
:TOPMARGINI
  VAROFFSET = variable offset in
             control sequence
  VARLEN    = variable length
  VARTYPE   = HIGHLOW|LOWHIGH|CHRDEC|
             CHRHEX|CHRAN
  CNVNUM    = conversion ratio
             numerator
  CNVDEN    = conversion ratio
             denominator
  DATA     = ASCII control sequence.
```

### VAROFFSET

This is a required parameter. This parameter specifies the offset for the variable portion of the control sequence. This value must be an integer.

**Note:** This offset is relative to the beginning of the control sequence. Therefore, a value of 0 implies that the variable starts in the first byte of the control sequence.

### VARLEN

This is a required parameter. This parameter specifies the length of the variable portion of the control sequence. This value must be an integer (number of bytes).

### VARTYP

A required parameter. This parameter specifies the type of variable that is used with the category of printer function tags.

HIGHLOW	The byte order of the variable is in high-low order. The most significant byte is first.
LOWHIGH	The byte order of the variable is in low-high order. The most significant byte is last.

CHRDEC	The variable is in character decimal format with no byte order consideration. All characters are in the range of 0 to 9. Many Hewlett-Packard ASCII printers use this type of variable.
CHRHEX	The variable is in character hexadecimal format with no byte order consideration. All characters are in the range of A to F.
CHRAN	The variable is in character alphanumeric format with no byte order consideration. All characters are in the range of 0 to 9, A to Z.

### **CNVNUM**

A required parameter. This parameter specifies the numerator of the conversion ratio. This value must be an integer. The most commonly used value for CNVNUM is 1.

### **CNVDEN**

A required parameter. This parameter specifies the denominator of the conversion ratio. This value must be a nonzero integer.

CNVDEN defines the units that are used for the variable portion. For example, if movement is in 1/300ths, CNVNUM should be defined as 1 and CNVDEN should be defined as 300.

### **DATA**

A required parameter. This parameter specifies the ASCII control sequence for the set top margin (inches) printer function. This must be a hexadecimal value.

---

## **Customizing Highlighting**

You can customize highlighting functions, such as underlining and bold printing for an ASCII printer.

### **Bold**

#### **Start Bold Printing (STRBOLD) Tag**

The STRBOLD (start bold printing) tag defines the ASCII control sequence for starting the bold printing function for an ASCII printer. The syntax for this tag is:

```
:STRBOLD
    DATA = ASCII control sequence.
```

### **DATA**

A required parameter. Specifies the ASCII control sequence for the start bold printing function. This must be a hexadecimal value.

#### **End Bold Printing (ENDBOLD) Tag**

The ENDBOLD (end bold printing) tag defines the ASCII control sequence for ending the bold printing function for an ASCII printer. The syntax for this tag is:

```
:ENDBOLD
    DATA = ASCII control sequence.
```

### **DATA**

A required parameter. Specifies the ASCII control sequence for the end bold printing function. This must be a hexadecimal value.

## Underscore

### Start Underscore Function (STRUS) Tag

The STRUS (start underscore) tag defines the ASCII control sequence for starting the underscore function for an ASCII printer. The syntax for this tag is:

```
:STRUS  
    DATA = ASCII control sequence.
```

#### DATA

A required parameter. Specifies the ASCII control sequence for the start underscore function. This must be a hexadecimal value.

### End Underscore (ENDUS) Tag

The ENDUS (end underscore) tag defines the ASCII control sequence for ending the underscore function for an ASCII printer. The syntax for this tag is:

```
:ENDUS  
    DATA = ASCII control sequence.
```

#### DATA

A required parameter. Specifies the ASCII control sequence for the end underscore function. This must be a hexadecimal value.

---

## Customizing Horizontal Movement

You can customize the following horizontal movement functions:

- Backspace
- Characters per inch
- Characters per inch in computer output reduction (COR) mode
- Horizontal relative movement
- Horizontal absolute movement
- Proportional spacing
- Space

### Backspace (BSP) Tag

The BSP (backspace) tag defines the ASCII control sequence for the backspace function for an ASCII printer. The syntax for this tag is:

```
:BSP  
    DATA = ASCII control sequence.
```

#### DATA

A required parameter. Specifies the ASCII control sequence for the backspace function. This must be a hexadecimal value.

## Characters Per Inch

You can set the number of characters per horizontal inch of printing. You can set the number of characters per inch in normal printing mode or in computer output reduction (COR) mode. Computer output reduction consists of:

- Rotating the paper to a landscape right orientation
- Reducing the character size
- Changing the line density

## Changing the left and top margins

Following is a description of the tags used to customize horizontal character spacing.

### Characters per Inch in Normal Print Mode (CPI) Tag

The CPI (set characters per inch) tag defines the ASCII control sequence for setting the number of characters per inch. The syntax for this tag is:

```
:CPI
    CPI = 5|10|12|133|15|166|
          171|20|25|27
    DATA = ASCII control sequence.
```

#### CPI

A required parameter. Specifies the number of characters per inch.

<b>5</b>	5 characters per inch
<b>10</b>	10 characters per inch
<b>12</b>	12 characters per inch
<b>133</b>	13.3 characters per inch
<b>15</b>	15 characters per inch
<b>166</b>	16.6 characters per inch
<b>171</b>	17.1 characters per inch
<b>20</b>	20 characters per inch
<b>25</b>	25 characters per inch
<b>27</b>	27 characters per inch

#### DATA

A required parameter. Specifies the ASCII control sequence for setting the number of characters per inch. This must be a hexadecimal value.

### Characters per Inch in COR Mode (CPICOR) Tag

The CPICOR (set characters per inch in computer output reduction (COR) mode) tag defines the control sequence for setting the number of characters per inch while in COR mode. For example, you can define all print jobs that normally use a 10-pitch type style use a particular 17-pitch type style when COR (reduction) is applied. The syntax for this tag is:

```
:CPICOR
    CPI = 10|12|15
    ASCIIIFNT = font identifier number (integer)
    FNTWTH = font width (integer)
    FNTATR = font attribute (integer)
    DATA = ASCII control sequence.
```

#### CPI

A required parameter. This is the current number of characters per inch before the reduction is applied. For example, to define the type style to use for COR in a 10-pitch print job, specify CPI=10.

<b>10</b>	10 characters per inch
<b>12</b>	12 characters per inch
<b>15</b>	15 characters per inch

### ASCIIFNT

A required parameter. Specifies the ASCII type style (the global font ID (FGID)) to be used when reduction is applied. This value must be an integer.

For example, the FGID for a Courier 17-pitch font (17 characters per inch) is 254. Therefore, you specify ASCIIFNT=254 for a Courier 17-pitch font. For information on global font IDs, see the *Printer Device Programming* book.

### FNTWTH

A required parameter. Specifies the width, in 1/1440-inch increments, of the font used when reduction is applied. This value must be an integer.

For example, if you use a 17-pitch font when reduction is applied, divide the increment by the number of characters per inch (1440 divided by 17). This gives you a font width of 85 (rounded off) for the substituted font. Therefore, you specify FNTWTH=85.

### FNTATR

A required parameter. Specifies the attribute value for the substituted font. This value must be an integer. In most cases, you specify a fixed-pitch type style (FNTATR=1) for the substitute font attribute value.

Integer	Attribute value
01	Fixed-pitch font
02	Proportional-spaced font
04	Typographic font

### DATA

An optional parameter. Specifies the ASCII control sequence to select the substituted font. This must be a hexadecimal value. You find the ASCII control sequence in the technical reference manual for your printer under the description of selecting type styles. If there is no control sequence, "X must be specified. When a control sequence of "X is specified, the values specified for ASCIIFNT, FNTWTH, and FNTATR are used to select the COR font.

## Horizontal Absolute Movement (HORAMOV) Tag

The HORAMOV (horizontal absolute movement) tag is used to set the current horizontal print position. The host print transform requires the HORAMOV tag to be defined for the AFPDS to ASCII transform. The syntax of this tag is:

```
:HORAMOV
  VAROFFSET = variable offset in
             control sequence
  VARLEN    = variable length
  VARTYPE   = HIGHLOW|LOWHIGH|CHRDEC|
             CHRHEX|CHRAN
  CNVNUM    = conversion ratio
             numerator
  CNVDEN    = conversion ratio
             denominator
  DATA     = ASCII control sequence.
```

### VAROFFSET

A required parameter. Specifies the offset for the variable portion of the control sequence. This value must be an integer.



**Note:** This offset is relative to the beginning of the control sequence. Therefore, a value of 0 implies that the variable starts in the first byte of the control sequence.

**VARLEN**

A required parameter. Specifies the length of the variable portion of the control sequence. This value must be an integer (number of bytes).

**VARTYP**

A required parameter. Specifies the type of variable that is used with the category of printer function tags.

HIGHLOW	The byte order of the variable is in high-low order. The most significant byte is first.
LOWHIGH	The byte order of the variable is in low-high order. The most significant byte is last.
CHRDEC	The variable is in character decimal format with no byte order consideration. All characters are in the range of 0 to 9. Many Hewlett-Packard ASCII printers use this type of variable.
CHRHEX	The variable is in character hexadecimal format with no byte order consideration. All characters are in the range of A to F.
CHRAN	The variable is in character alphanumeric format with no byte order consideration. All characters are in the range of 0 to 9, A to Z.

**CNVNUM**

A required parameter. Specifies the numerator of the conversion ratio. This value must be an integer. The most commonly used value for CNVNUM is 1.

**CNVDEN**

A required parameter. Specifies the denominator of the conversion ratio. This value must be a nonzero integer.

CNVDEN defines the units to be used for the variable portion. For example, if movement is in 1/300ths, CNVNUM should be defined as 1 and CNVDEN should be defined as 300.

**DATA**

A required parameter. Specifies the ASCII control sequence for the horizontal absolute movement printer function. This must be a hexadecimal value.

## Horizontal Relative Movement (HORRMOV) Tag

The HORRMOV (horizontal relative movement) tag specifies the print position backward or forward relative to the current print position. You may find the horizontal relative movement function referred to as horizontal positioning, when looking it up in your printer manual.

You can have up to two HORRMOV tags in the same source file. If you specify two HORRMOV tags in the same source file, one must have a direction of forward and the other a direction of backward. The syntax of this tag is:

```
:HORRMOV
  DIRECTION = FWD|BCK|FWD|BCK
  VAROFFSET = variable offset in
              control sequence
  VARLEN = variable length
  VARTYPE = HIGHLOW|LOWHIGH|CHRDEC|
```

CHRHEX|CHRAN  
 CNVNUM = conversion ratio  
           numerator  
 CNVDEN = conversion ratio  
           denominator  
 DATA = ASCII control sequence.

### DIRECTION

A required parameter. Specifies the direction of the relative movement command.

FWD	Specifies the horizontal relative movement forward.
BCK	Specifies the horizontal relative movement backward.
FWDBCK	Specifies the horizontal relative movement command forward and backward.

### VAROFFSET

A required parameter. Specifies the offset for the variable portion of the control sequence. This value must be an integer.

**Note:** This offset is relative to the beginning of the control sequence. Therefore, a value of 0 implies that the variable starts in the first byte of the control sequence.

### VARLEN

A required parameter. Specifies the length of the variable portion of the control sequence. This value must be an integer (number of bytes).

### VARTYPE

A required parameter. Specifies the type of variable used with this category of printer function tags.

HIGHLOW	The byte order of the variable is in high-low order. The most significant byte is first.
LOWHIGH	The byte order of the variable is in low-high order. The most significant byte is last.
CHRDEC	The variable is in character decimal format with no byte order consideration. All characters are in the range from 0 to 9. Many Hewlett-Packard ASCII printers use this type of variable.
CHRHEX	The variable is in character hexadecimal format with no byte order consideration. All characters are in the range from 0 to 9, A to F.
CHRAN	The variable is in character alphanumeric format with no byte order consideration. All characters are in the range from 0 to 9, A to Z.

### CNVNUM

A required parameter. Defines the numerator of the conversion ratio. This value must be an integer. The most commonly used value for CVNUM is 1.

### CNVDEN

A required parameter. Specifies the denominator of the conversion ratio. This value must be a nonzero integer.

CNVDEN defines the units to be used for the variable portion. For example, if movement is in 1/300ths, CNVNUM should be defined as 1 and CNVDEN should be defined as 300.

**DATA**

A required parameter. Specifies the ASCII control sequence for the horizontal relative movement printer function. This must be a hexadecimal value.

## Proportional Spacing

### Start Proportional Space (STRPROP) Tag

The STRPROP (start proportional space) tag defines the ASCII control sequence for starting the proportional space mode for an ASCII printer. The syntax for this tag is:

```
:STRPROP  
    DATA = ASCII control sequence.
```

**DATA**

A required parameter. Specifies the ASCII control sequence for the start proportional space function. This must be a hexadecimal value.

### End Proportional Space (ENDPROP) Tag

The ENDPROP (end proportional space) tag defines the ASCII control sequence for ending the proportional space mode for an ASCII printer. The syntax for this tag is:

```
:ENDPROP  
    DATA = ASCII control sequence.
```

**DATA**

A required parameter. Specifies the ASCII control sequence for the end proportional space function. This must be a hexadecimal value.

## Space (SPACE) Tag

The SPACE (space) tag defines the ASCII control sequence for the space control function for an ASCII printer. The syntax for this tag is:

```
:SPACE  
    DATA = ASCII control sequence.
```

**DATA**

A required parameter. Specifies the ASCII control sequence for the space function. This must be a hexadecimal value.

---

## Customizing Vertical Movement

You can customize the following vertical movement functions:

- Form feed
- Half line feed
- Line feed
- Relative vertical movement
- Absolute vertical movement
- Reverse half line feed
- Reverse line feed
- Vertical line spacing

## Form Feed (FORMFEED) Tag

The FORMFEED (form feed) tag defines the ASCII control sequence for the form feed function for an ASCII printer. The FORMFEED control advances the paper to the top of the next page. The syntax for this tag is:

```
:FORMFEED  
    DATA = ASCII control sequence.
```

### DATA

A required parameter. Specifies the ASCII control sequence for the form feed function. This must be a hexadecimal value.

## Half Line Feed (HLFLINEFEED) Tag

The HLFLINEFEED (half line feed) tag defines the ASCII control sequence for the half line feed function for an ASCII printer. The HLFLINEFEED control advances the paper one half of a line. The syntax for this tag is:

```
:HLFLINEFEED  
    DATA = ASCII control sequence.
```

### DATA

A required parameter. Specifies the ASCII control sequence for the half line feed function. This must be a hexadecimal value.

## Line Feed (LINEFEED) Tag

The LINEFEED (line feed) tag defines the ASCII control sequence for the line feed function for an ASCII printer. The line feed function advances the paper one line. The syntax for this tag is:

```
:LINEFEED  
    DATA = ASCII control sequence.
```

### DATA

A required parameter. Specifies the ASCII control sequence for the line feed function. This must be a hexadecimal value.

## Vertical Absolute Movement (VERAMOV) Tag

The VERAMOV (vertical absolute movement) tag is used to set the current vertical print position. The host print transform requires the VERAMOV tag to be defined for the AFPDS to ASCII transform. The syntax of this tag is:

```
:VERAMOV  
    VAROFFSET = variable offset in  
                control sequence  
    VARLEN    = variable length  
    VARTYPE   = HIGHLOW|LOWHIGH|CHRDEC|  
                CHRHEX|CHRAN  
    CNVNUM    = conversion ratio  
                numerator  
    CNVDEN    = conversion ratio  
                denominator  
    DATA     = ASCII control sequence.
```

### VAROFFSET

A required parameter. Specifies the offset for the variable portion of the control sequence. This value must be an integer.

**Note:** This offset is relative to the beginning of the control sequence. Therefore, a value of 0 implies that the variable starts in the first byte of the control sequence.

**VARLEN**

A required parameter. Specifies the length of the variable portion of the control sequence. This value must be an integer (number of bytes).

**VARTYP**

A required parameter. Specifies the type of variable used with category of printer function tags.

HIGHLOW	The byte order of the variable is in high-low order. The most significant byte is first.
LOWHIGH	The byte order of the variable is in low-high order. The most significant byte is last.
CHRDEC	The variable is in character decimal format with no byte order consideration. All characters are in the range of 0 to 9. Many Hewlett-Packard ASCII printers use this type of variable.
CHRHEX	The variable is in character hexadecimal format with no byte order consideration. All characters are in the range of A to F.
CHRAN	The variable is in character alphanumeric format with no byte order consideration. All characters are in the range of 0 to 9, A to Z.

**CNVNUM**

A required parameter. Specifies the numerator of the conversion ratio. This value must be an integer. The most commonly used value for CNVNUM is 1.

**CNVDEN**

A required parameter. Specifies the denominator of the conversion ratio. This value must be a nonzero integer.

CNVDEN defines the units to be used for the variable portion. For example, if movement is in 1/300ths, CNVNUM should be defined as 1 and CNVDEN should be defined as 300.

**DATA**

A required parameter. Specifies the ASCII control sequence for the horizontal absolute movement printer function. This must be a hexadecimal value.

## Vertical Relative Movement (VERRMOV) Tag

The VERRMOV (vertical relative movement) tag is used to move the print position upward or downward relative to the current print position. You may find the relative movement function referred to as vertical positioning, when looking it up in your printer manual.

You can have up to two VERRMOV tags in the same source file. If you specify two VERRMOV tags in the same source file, one must have a direction of upward and the other a direction of downward. The syntax of this command is:

```
:VERRMOV
    DIRECTION = UP|DOWN|UPDOWN
    VAROFFSET = variable offset in
                control sequence
```

VARLEN = variable length  
 VARTYPE = HIGHLOW|LOWHIGH|CHRDEC|  
           CHRHEX|CHRAN  
 CNVNUM = conversion ratio  
           numerator  
 CNVDEN = conversion ratio  
           denominator  
 DATA = ASCII control sequence.

**DIRECTION**

Defines the direction of the relative movement command. This is a required parameter.

UP	Defines the vertical relative movement upward.
DOWN	Defines the vertical relative movement downward.
UPDOWN	Defines the vertical relative movement command upward and downward.

**VAROFFSET**

A required parameter. Defines the offset for the variable portion of the control sequence. This value must be an integer.

**Note:** This offset is relative to the beginning of the control sequence. Therefore, a value of zero (0) implies that the variable starts in the first byte of the control sequence.

**VARLEN**

A required parameter. Defines the length of the variable portion of the control sequence. This value must be an integer (number of bytes).

**VARTYPE**

A required parameter. Defines the type of variable used with this category of printer function tags.

HIGHLOW	The byte order of the variable is in high-low order. The first byte is the most significant.
LOWHIGH	The byte order of the variable is in low-high order. The last byte is the most significant.
CHRDEC	The variable is in character decimal format with no byte order consideration. All characters are in the range from 0 to 9. Many Hewlett-Packard printers use this variable type.
CHRHEX	The variable is in character hexadecimal format with no byte order consideration. All characters are in the range from 0 to 9, A to F.
CHRAN	The variable is in character alphanumeric format with no byte order consideration. All characters are in the range from 0 to 9, A to Z.

**CNVNUM**

A required parameter. Defines the numerator of the conversion ratio. This value must be an integer. The most common value is 1.

**CNVDEN**

A required parameter. Defines the denominator of the conversion ratio. This value must be a nonzero integer. Defines the units of measure to be used for the variable portion. For example, if movement is in 1/300ths, specify CNVNUM as 1 and CNVDEN as 300.

**DATA**

A required parameter. Specifies the ASCII control sequence for the printer function. This must be a hexadecimal value.

## Reverse Half Line Feed (RVSHLFLINEFEED) Tag

The RVSHLFLINEFEED (reverse half line feed) tag defines the ASCII control sequence for the reverse half line feed function for an ASCII printer. The reverse half line feed function moves the paper back up one half line. The syntax for this tag is:

```
:RVSHLFLINEFEED  
    DATA = ASCII control sequence.
```

**DATA**

A required parameter. Specifies the ASCII control sequence for the reverse half line feed function. This must be a hexadecimal value.

## Reverse Line Feed (RVSLINEFEED) Tag

The RVSLINEFEED (reverse line feed) tag defines the ASCII control sequence for the reverse line feed function for an ASCII printer. The reverse line feed function moves the paper back up one line. The syntax for this tag is:

```
:RVSLINEFEED  
    DATA = ASCII control sequence.
```

**DATA**

A required parameter. Specifies the ASCII control sequence for the reverse line feed function. This must be a hexadecimal value.

## Vertical Line Spacing

You can set the distance between printed lines in one of two ways. You can specify the number of lines per inch or you can set line spacing to a variable value. Following is a description of the tags used to customize vertical line spacing.

### Lines per Inch (LPI) Tag

The LPI (set lines per inch) tag defines the control sequence for setting the number of lines per inch you want to print. Variable line spacing, if defined, overrides fixed-pitch line spacing. The syntax for this tag is:

```
:LPI  
    LPI = 3|4|6|8  
    DATA = ASCII control sequence.
```

**LPI**

A required parameter. Defines the number of lines per inch. The valid values for this parameter are 3, 4, 6, and 8. The most common vertical spacing is 6 or 8 lines per inch.

**DATA**

A required parameter. Specifies the ASCII control sequence for setting lines per inch. This must be a hexadecimal value.

### Variable Line Spacing (VARLSPC) Tag

The VARLSPC (variable line spacing) tag is used to set variable line spacing on the printer. Variable line spacing, if defined, overrides fixed-pitch line spacing. If you do

not define variable line spacing, the customizing source is searched for a fixed pitch tag, for example, 8 lines per inch. The syntax for this tag is:

```
:VARLSPC
    VAROFFSET = variable offset in
                control sequence
    VARLEN = variable length
    VARTYPE = HIGHLOW|LOWHIGH|CHRDEC|
              CHRHEX|CHRAN
    CNVNUM = conversion ratio
              numerator
    CNVDEN = conversion ratio
              denominator
    DATA = ASCII control sequence.
```

### **VAROFFSET**

A required parameter. Defines the offset for the variable portion of the control sequence. This value must be an integer.

**Note:** This offset is relative to the beginning of the control sequence. Therefore, a value of zero (0) implies that the variable starts in the first byte of the control sequence.

### **VARLEN**

A required parameter. Defines the length of the variable portion of the control sequence. This value must be an integer (number of bytes).

### **VARTYPE**

A required parameter. Defines the type of variable used with the set page length in inches tag.

HIGHLOW	The byte order of the variable is in high-low order. The first byte is the most significant.
LOWHIGH	The byte order of the variable is in low-high order. The last byte is the most significant.
CHRDEC	The variable is in character decimal format with no byte order consideration. All characters are in the range from 0 to 9. Many Hewlett-Packard printers use this variable type.
CHRHEX	The variable is in character hexadecimal format with no byte order consideration. All characters are in the range from 0 to 9, A to F.
CHRAN	The variable is in character alphanumeric format with no byte order consideration. All characters are in the range from 0 to 9, A to Z.

### **CNVNUM**

A required parameter. Defines the numerator of the conversion ratio. This value must be an integer. The most common value for CNVNUM is 1.

### **CNVDEN**

A required parameter. Defines the denominator of the conversion ratio. This value must be a nonzero integer. Defines the units of measure used for the variable portion.

### **DATA**

A required parameter. Specifies the ASCII control sequence for variable line spacing. This must be a hexadecimal value.



---

## Customizing Indexing

You can customize superscript and subscript controls for an ASCII printer. On some printers, these controls move the print position up or down 1/2 line spaces. Other printers create superscripts and subscripts by compressing the height of the characters.

### Subscript

#### Start Subscript Function (STRSUBS) Tag

The STRSUBS (start subscript) tag defines the ASCII control sequence for starting the subscript function for an ASCII printer. The syntax for this tag is:

```
:STRSUBS  
    DATA = ASCII control sequence.
```

#### DATA

A required parameter. Specifies the ASCII control sequence for the start subscript function. This must be a hexadecimal value.

#### End Subscript Function (ENDSUBS) Tag

The ENDSUBS (end subscript) tag defines the ASCII control sequence for ending the subscript function for an ASCII printer. The syntax for this tag is:

```
:ENDSUBS  
    DATA = ASCII control sequence.
```

#### DATA

A required parameter. Specifies the ASCII control sequence for the end subscript function. This must be a hexadecimal value.

### Superscript

#### Start Superscript Function (STRSUPS) Tag

The STRSUPS (start superscript) tag defines the ASCII control sequence for starting the superscript function for an ASCII printer. The syntax for this tag is:

```
:STRSUPS  
    DATA = ASCII control sequence.
```

#### DATA

A required parameter. Specifies the ASCII control sequence for the start superscript function. This must be a hexadecimal value.

#### End Superscript Function (ENDSUPS) Tag

The ENDSUPS (end superscript) tag defines the ASCII control sequence for ending the superscript function for an ASCII printer. The syntax for this tag is:

```
:ENDSUPS  
    DATA = ASCII control sequence.
```

#### DATA

A required parameter. Specifies the ASCII control sequence for the end superscript function. This must be a hexadecimal value.

---

## Customizing Color

### Foreground Color (FOREGRND) Tag

The FOREGRND (foreground color) tag defines the ASCII control sequence for setting different colors when the printer supports color. The syntax for this tag is:

```
:FOREGRND
  COLOR = BLACK|BLUE|RED|PINK|GREEN|
         CYAN|YELLOW|WHITE|DRKBLUE|
         ORANGE|PURPLE|DRKGREEN|
         TURQ|MUSTARD|GREY|BROWN
  DATA = ASCII control sequence.
```

#### COLOR

A required parameter. Defines the color to be used by the printer when it supports different colors for printing.

BLACK	DRKBLUE (dark blue)	MUSTARD	RED
BLUE	DRKGREEN (dark green)	ORANGE	TURQ (turquoise)
BROWN	GREEN	PINK	WHITE
CYAN	GREY	PURPLE	YELLOW

#### DATA

A required parameter. Specifies the ASCII control sequence for setting the foreground color. This must be a hexadecimal value.

---

## Customizing Paper Input

You can customize the following paper input functions:

- Paper drawer selection
- Selecting paper drawer number
- Additional paper drawer selection

### Paper Drawer Selection (DWRSLT) Tag

The DWRSLT (drawer selection) tag defines the control sequences available for paper drawer selection. This tag is only used for drawer 1, drawer 2, and the envelope drawer. The syntax for this tag is:

```
:DWRSLT
  DRAWER = PAPER|ENVELOPE|
         DRAWER1|DRAWER2
  DATA = ASCII control sequence.
```

#### DRAWER

A required parameter. Defines the drawer selection.

PAPER	The drawer selection is manual paper feed.
ENVELOPE	The drawer selection is envelope.
DRAWER1	The drawer selection is drawer 1.
DRAWER2	The drawer selection is drawer 2.

## DATA

A required parameter. Specifies the ASCII control sequence for paper drawer selection. This must be a hexadecimal value.

## Selecting Paper Drawer Number (DWRNBR) Tag

The DWRNBR (select paper drawer number) tag selects the printer paper drawer. The drawer number is a variable in the ASCII control sequence. This tag is only used if the drawer number is greater than two (2). The syntax for this tag is:

```
:DWRNBR  
  VAROFFSET = variable offset in  
              control sequence  
  VARLEN = variable length  
  VARTYPE = HIGHLOW|LOWHIGH|CHRDEC|  
           CHRHEX|  
  DATA = ASCII control sequence.
```

### VAROFFSET

A required parameter. Defines the offset for the variable portion of the control sequence. This value must be an integer.

**Note:** This offset is relative to the beginning of the control sequence. Therefore, a value of zero (0) implies that the variable starts in the first byte of the control sequence.

### VARLEN

A required parameter. Defines the length of the variable portion of the control sequence. This value must be an integer (number of bytes). If this value is zero (0), the ASCII sequence is used without a variable.

### VARTYPE

A required parameter. This attribute defines the type of variable. Possible values are:

HIGHLOW	The byte order of the variable is in high-low order. The first byte is the most significant.
LOWHIGH	The byte order of the variable is in low-high order. The last byte is the most significant.
CHRDEC	The variable is in character decimal format with no byte order consideration. All characters are in the range 0 to 9. Many Hewlett-Packard printers use this variable type.
CHRHEX	The variable is in character hexadecimal format with no byte order consideration. All characters are in the range 0 to 9, A to F.

## DATA

A required parameter. Specifies the ASCII control sequence for selecting the paper drawer number. This must be a hexadecimal value.

## Additional Paper Drawer Selection

The ADDDRWTBL (Additional Paper Drawer Selection) tag is used to select additional paper source drawers. This tag is only used if the drawer number is greater than two (2). The paper drawer selection tag is used to specify drawer 1 and drawer 2.

You begin the support for additional paper drawer selection with the ADDDRWTBL tag and end the support with the EADDDRWTBL tag. The ADDDRWTBLE tags falls between defining each additional drawer.

Using the additional paper drawer selection tags, your source could look something like this for a printer supporting two additional source drawers.

```
:ADDDRWTBL.  
  :ADDDRWTBLE...  
  :ADDDRWTBLE...  
:EADDDRWTBL.
```

Following is a description of each of the tags used to support different drawer selection.

### **Additional Drawer Selection (ADDDRWTBL) Tag**

The ADDDRWTBL tag defines additional source drawer entries. One or more of these tags must follow the ADDDRWTBLE tag containing the additional source drawer. There are no parameters on this tag. The syntax is:

```
:ADDDRWTBL.
```

### **Additional Paper Drawer Selection Entry (ADDDRWTBLE) Tag**

The ADDDRWTBLE tag defines additional source drawer entries. The ADDDRWTBL tag must be follows by one or more ADDDRWTBLE tags. A group of ADDDRWTBLE tags must be followed by the EADDDRWTBLE tag. The syntax is:

```
:ADDDRWTBLE  
  NUMBER = 3-255  
  DATA = ' 'X.
```

#### **NUMBER**

This is a required parameter. This parameter defines the source drawer.

#### **DATA**

This is a required parameter. This parameter specifies the ASCII control sequence for the drawer specified. This must be a hexadecimal value.

### **End Additional Paper Drawer Selection (EADDDRWTBL) Tag**

The EADDDRWTBL tag is used to end a group of additional drawer entries in the customizing source. There are no parameters on this tag. The syntax is:

```
:EADDDRWTBL.
```

---

## **Customizing Paper Output**

You can customize the following paper output functions:

- Output bin selection
- Jog output tray
- Duplex
- Simplex

### **Output Bin Selection**

You can define support for multiple output bins. You begin the support for output bin selection with the OUTBINTBL tag and end the support with the EOUTBINTBL tag. The OUTBINTBLE tags fall between the defining each output bin.

Using this output bin tags, your source could look something like this for a printer supporting multiple output bins.

```
:OUTBINTBL.  
  :OUTBINTBLE....  
  :OUTBINTBLE....  
:EOUTBINTBL.
```

The following section describes the tags that are used to support output bin selection.

### **Output Bin Selection (OUTBINTBL) Tag**

The OUTBINTBL tag allows the Host Print Transform workstation customizing objects to support multiple output bins. This tag must be followed by one or more OUTBINTBLE tags that contain the output bins. There are no parameters on this tag. The syntax is:

```
:OUTBINTBL.
```

### **Output Bin Selection Entry (OUTBINTBLE) Tag**

The OUTBINTBLE tag defines a particular output destination. This tag must be followed by one or more OUTBINTBL tags. The EOUTBINTBL tag must follow a group of OUTBINTBLE tags. The syntax is:

```
:OUTBINTBLE  
  NUMBER = 1-65535  
  DATA = ' 'X.
```

#### **NUMBER**

This is a required parameter. This parameter defines the output destination.

#### **DATA**

This is a required parameter. This parameter specifies the ASCII control sequence for the output destination. This must be a hexadecimal value.

### **End Output Bin Selection (EOUTBINTBL) Tag**

The EOUTBINTBL tag is used to end a group of output bin table entries in the customizing source. There are no parameters on this tag. The syntax is:

```
:EOUTBINTBL.
```

## **Jog Output Tray**

### **Jog Output Tray (JOGOUTTRAY) Tag**

The JOGOUTTRAY (jog output tray) tag defines the ASCII control sequence for the job output tray function for an ASCII printer. The syntax for this tag is:

```
:JOGOUTTRAY  
  DATA = ASCII control sequence.
```

#### **DATA**

A required parameter. Specifies the ASCII control sequence for the jog output tray function. This must be a hexadecimal value.

## Duplex

### Set Duplex Printing (DUPXPRT) Tag

The DUPXPRT (duplex printing) tag defines the ASCII control sequence for the duplex printing function for an ASCII printer. The DUPXPRT control prints on both sides of a sheet of paper, from left to right. (Contrast the DUPXPRT control with the TUMDUPXPRT control.) The syntax for this tag is:

```
:DUPXPRT  
    DATA = ASCII control sequence.
```

#### DATA

A required parameter. Specifies the ASCII control sequence for the duplex printing function. This must be a hexadecimal value.

### Select Next Side Printing in Duplex (NXTDUPXPRT) Tag

The NXTDUPXPRT (select next side printing in duplex) tag defines the ASCII control sequence for the select next side printing in duplex function for an ASCII printer. If you do not define this tag, but the host print transform function requests it, a form feed is substituted for the NXTDUPXPRT tag. The syntax for this tag is:

```
:NXTDUPXPRT  
    DATA = ASCII control sequence.
```

#### DATA

A required parameter. Specifies the ASCII control sequence for the select next side printing in duplex function. This must be a hexadecimal value.

### Set Tumble Duplex Printing (TUMDUPXPRT) Tag

The TUMDUPXPRT (set tumble duplex printing) tag defines the ASCII control sequence for the set tumble duplex printing function for an ASCII printer. The TUMDUPXPRT control prints on both sides of a sheet of paper, from top-to-bottom. (Contrast the TUMDUPXPRT control with the DUPXPRT control.) The syntax for this tag is:

```
:TUMDUPXPRT  
    DATA = ASCII control sequence.
```

#### DATA

A required parameter. Specifies the ASCII control sequence for the set tumble duplex printing function. This must be a hexadecimal value.

## Simplex

### Set Simplex Printing (SMPXPRT) Tag

The SMPXPRT (set simplex printing) tag defines the ASCII control sequence for the set simplex printing function for an ASCII printer. The SMPXPRT tag sets the printer to print on one side of the paper. The syntax for this tag is:

```
:SMPXPRT  
    DATA = ASCII control sequence.
```

#### DATA

A required parameter. Specifies the ASCII control sequence for the set simplex printing function. This must be a hexadecimal value.

---

## Customizing Print Orientation

You can customize the following print orientation functions:

- Print angle
- Paper Orientation

### Print Angle (PRTANGLE) Tag

This tag defines the control sequence for setting the print direction on the page. This allows printing in all four orientations on the same page. The syntax of this tag is:

```
:PRTANGLE
  ANGLE = 0|90|180|270
  DATA = ASCII control sequence.
```

#### ANGLE

A required parameter. Specifies the angle at which the output prints. This value must be an integer.

**0** The angle of printing is 0 degrees.

**90** The angle of printing is 90 degrees.

**180**

The angle of printing is 180 degrees.

**270**

The angle of printing is 270 degrees.

#### DATA

A required parameter. This parameter specifies the ASCII control sequence for the print angle printer function. This must be a hexadecimal value.

### Paper Orientation (PRTORIENT) Tag

The PRTORIENT (paper orientation) tag defines the control sequence for setting different paper orientations. The syntax for this tag is:

```
:PRTORIENT
  ORIENT = PORTRAIT|LANDSCAPE|
          RTT180|RTT270
  DATA = ASCII control sequence.
```

#### ORIENT

A required parameter. The orientation in which a job prints.

PORTRAIT	The print job prints in an orientation rotated 0 degrees.
LANDSCAPE	The print job prints in an orientation rotated 90 degrees.
RTT180	The print job prints in an orientation rotated 180 degrees.
RTT270	The print job prints in an orientation rotated 270 degrees.

#### DATA

A required parameter. Specifies the ASCII control sequence for setting the paper orientation for the printer. This must be a hexadecimal value.

---

## Customizing Print Quality

### Print Quality (PRTQLTY) Tag

The PRTQLTY (print quality) tag defines the control sequence for selecting the level of print quality (such as draft or letter) an ASCII printer provides. The syntax for this tag is:

```
:PRTQLTY
      QLTYPYTYPE = DRAFT|LETTER|TEXT
      DATA = ASCII control sequence.
```

#### QLTYPYTYPE

A required parameter. Defines the quality of print.

DRAFT	The print quality is draft quality. This is equivalent to the *DRAFT type used in the OS/400 printer file commands.
LETTER	The print quality is letter quality. This is equivalent to the *NLQ type used in the OS/400 printer file commands.
TEXT	The print quality is text quality. This is equivalent to the *STD type used in the OS/400 printer file commands.

#### DATA

A required parameter. Specifies the ASCII control sequence for the function. This is a hexadecimal value.

---

## Customizing Fonts

You can change the appearance of characters printed by an ASCII printer by selecting and customizing fonts. You can choose a range of fonts to be used by the printer. You can also customize individual fonts that are used by the printer.

When customizing fonts, consider the following:

- Individual font definitions are read before group font definitions.
- The first group definition that satisfies the font request is used.
- If you do not specify font-width data, a system-supplied font width is used.
- You do not have to define font widths for fixed-pitch type styles unless the font identifier you specify is outside the normal range of font identifiers for a particular pitch.

For example, the normal range of font identifiers is from 1 to 65 for a 10-pitch type style. If you specify a font identifier greater than 65 for a 10-pitch type style, you must also define a font width for that type style.

- If you specify font-width data, the data values must be either 256 or 512 bytes in length. A maximum width of 255/1440ths of an inch per character can fit in a single byte. If the font widths of all characters can fit in a single byte, the data values are 256 bytes in length. If the font width of any one character exceeds 255/1440ths of an inch in width, use a 2-byte value for each character. The data values are then 512 bytes in length.
- To ensure your print jobs look similar to print jobs generated from the host, you must specify font-width data equal to, or less than, the font-width data used by the host application.

For example, if you use the justify function with a proportional-spaced font in an OfficeVision/400 document, the OfficeVision/400 program uses its own internal



font widths. If the OfficeVision/400 font widths are narrower, on average, than the font width defined in the workstation customizing object, your document may not justify properly.

- For fixed-pitch fonts, character per inch (CPI) definitions are read last.
- Type style requests are automatically generated for IBM page printer data stream level 2, Hewlett-Packard PCL4, and Hewlett-Packard PCL5 tables.
- For proportional and typographic fonts, start proportional mode tags and end proportional mode tags are read last.

Following is a description of the tags used to customize fonts.

## Font Groups

You can choose font groups used by an ASCII printer. Using the font group tags, your source could look something like this for a printer supporting five separate font groups:

```
:FNTGRP.  
    :FNTGRPE....  
    :FNTGRPE....  
    :FNTGRPE....  
    :FNTGRPE....  
    :FNTGRPE....  
:EFNTGRP.
```

Following is a description of each of the tags used to support font groups for an ASCII printer.

### Font Group (FNTGRP) Tag

The FNTGRP (font group) tag defines the beginning of one or more font group entry (FNTGRPE) tags. It must be followed by one or more FNTGRPE tags. The syntax for the FNTGRP tag is:

```
:FNTGRP.
```

### Font Group Entry (FNTGRPE) Tag

The FNTGRPE (font group entry) tag defines a range of fonts. The FNTGRPE tag must follow either a FNTGRP (font group) tag or another FNTGRPE tag in your source. A group of one or more of these tags must be followed by an EFNTGRP tag. The syntax for this tag is:

```
:FNTGRPE  
    MINFID = font identifier (integer)  
    MAXFID = font identifier (integer)  
    FNTSTR = start font ASCII control  
            sequence  
    FNTEND = end font ASCII control  
            sequence  
    FNTWTH = character width data of  
            the font.
```

#### MINFID

A required parameter. Defines the smallest font identifier in a group. This value must be an integer.

#### MAXFID

A required parameter. Defines the largest font identifier in a group. This value must be an integer.

**FNTSTR**

A required parameter. Defines the ASCII control sequence to start a font request.

**FNTEND**

An optional parameter. Defines the ASCII control sequence to end a font request. If no ASCII control sequence is defined to end a font request, "X must be entered.

**FNTWTH**

An optional parameter. Specifies the individual character widths in 1/1440-inch increments for the font group range. If specified, this must be either a 256-byte or 512-byte hexadecimal value. If no font-width data is defined, "X must be entered.

**Notes:**

1. The ranges specified for MINFID and MAXFID are not validated for different FNTGRPE tags to ensure that they do not overlap.
2. Validation is not performed to ensure individual fonts (INDFNTE) are not defined within a range of fonts specified in a FNTGRPE tag.
3. For information on font identifiers, see the *Printer Device Programming* book.

**End Font Group (EFNTGRP) Tag**

The EFNTGRP (end font group) tag ends the font group definition for a transform table. The syntax for this tag is:

```
:EFNTGRP.
```

## Individual Fonts

You can customize individual fonts used by an ASCII printer. Using the individual font tags, your source could look something like:

```
:INDFNT.  
    :INDFNTE....  
    :INDFNTE....  
    :INDFNTE....  
    :INDFNTE....  
    :INDFNTE....  
:EINDFNT.
```

Following is a description of each of the tags used to support individual fonts for an ASCII printer.

**Individual Font (INDFNT) Tag**

The INDFNT (individual font) tag defines the beginning of one or more INDFNTE tags. The INDFNT tag must be followed by one or more individual font entry (INDFNTE) tags. The syntax for this tag is:

```
:INDFNT.
```

**Individual Font Entry (INDFNTE) Tag**

The INDFNTE (individual font entry) tag defines an individual font. One or more individual font entry tags can be defined, but must follow the INDFNT tag. The INDFNTE tag or tags must be followed by the EINDFNT tag. The syntax for this tag is:

```

:INDFNTE
  FID = font identifier (integer)
  POINTSIZE = font point size
              (integer)
  FNTSTR = start font ASCII control
           sequence
  FNTEND = end font ASCII control
           sequence
  FNTWTH = character width data of
           the font.

```

### **FID**

A required parameter. Identifies the individual font. This value must be an integer. For information on font identifiers, see the *Printer Device Programming* book.

### **POINTSIZ**

Specifies the point size of the individual font in 1/72-inch increments. This value must be an integer. If the font point size is not required (for example, if you are defining a fixed-pitch font), 0 (zero) must be entered.

### **FNTSTR**

A required parameter. The ASCII control sequence for the start of the font.

### **FNTEND**

The ASCII control sequence for the end of the individual font. If there is no end font ASCII control sequence, "X" must be specified.

### **FNTWTH**

Specifies the individual character widths in 1/1440-inch increments for the individual font. This must be specified as a 256-byte or 512-byte hexadecimal value. If there is no font-width data, "X" must be specified.

### **Notes:**

1. The last data element within this tag entry must be followed by a period.
2. The FID and POINTSIZE parameter pairs are not validated to ensure they are not duplicated.
3. The FID parameter is not checked to see if it is already defined in a font group (FNTGRPE) tag.

## **End Individual Font (EINDFNT) Tag**

The EINDFNT (end individual font) tag defines the end of one or more INDFNTE tags. The syntax for this tag is:

```
:EINDFNT.
```

## **Font Mapping**

Font global identifiers (FGID) can be mapped to AS/400 AFP bit map fonts. You begin support for font mapping with the FNTMAPTBL tag and end the support with the EFNTMAPTBL tag. The FNTMAPE tags fall between defining each FGID that is mapped to an AS/400 bit map font.

Using the font mapping tags, your source could look like the following:

```

:FNTMAPTBL.
  :FNTMAPE....
  :FNTMAPE....
  :FNTMAPE....
:EFNTMAPTBL.

```

Following is a description of each of the tags used to support font mapping.

### Font Mapping (FNTMAPTBL) Tag

The FNTMAPTBL tag defines the mapping of Font Global Identifiers (FGID) to AS/400 AFP bit map fonts. This tag must be followed by one or more FNTMAPE tag containing the font mapping. There are no parameters to this tag. The syntax is:

```
:FNTMAPTBL.
```

### Font Mapping Entry (FNTMAPE) Tag

The FNTMAPE tag defines the font mapping of Font Global Identifiers (FGID) to AS/400 AFP bit map fonts. One or more of these tags must be follow the FNTMAPTBL tag. A group of FNTMAPE tags must be followed by the EFNTMAPTBL tag. The syntax is:

```
:FNTMAPE
  FGID = Integer (FGID value)
  POINTSIZE = font point size
  Name = 8 character set name
  LIBRARY = 10 character set library name.
```

#### FGID

This is a required parameter. This parameter defines the font type global identifier.

#### POINTSIZE

This parameter specifies the point size of the individual font in 1/72-inch increments. This value must be an integer. If the font point size is not required (for example, if you are defining a fixed point font), 0 must be entered.

#### NAME

This is a required parameter. This parameter specifies the name of the resident bitmap font character set. This is 8 characters.

#### LIBRARY

This is a required parameter. This parameter specifies the library where the character set resides. This is 10 characters.

### End Font Mapping (EFNTMAPTBL) Tag

The EFNTMAPTBL tag is used to end a group of font map table entries in the customizing source. There are no parameters on this tag. The syntax is:

```
:EFNTMAPTBL.
```

---

## Customizing Code Page Support

The workstation customizing functions allow you to customize code page support for an ASCII printer. You can:

- Customize EBCDIC-to-ASCII code page mapping
- Support additional ASCII code pages
- Override the default ASCII code page

When you specify code page information in a customizing object, the customizing object information takes precedence over information in system-supplied code page tables. If you remove code page tags from a customizing object, code page information continues to be read from the system-supplied tables.

## Customizing EBCDIC-to-ASCII Code Page Mapping

EBCDIC-to-ASCII mapping tables convert an EBCDIC character specified in an application data stream into an ASCII character code value (for that same character). The EBCDIC-to-ASCII mapping table used for a given ASCII printer depends on the manufacturer, type, and model configured for the printer. Different types of ASCII printers support different ASCII code pages. The code page in use at any time is determined by a command to select the ASCII code page.

You can customize the EBCDIC-to-ASCII mapping that should be used for an ASCII printer. You can customize the mapping to replace the entire ASCII code page mapped to an EBCDIC code page. For example, the U.S. English EBCDIC code page 037 normally maps to the ASCII code page 437. You could use these tags to map EBCDIC code page 037 to an ASCII code page other than 437 (such as ASCII code page 850).

The following code page mapping tables are available on the AS/400 system for use by the host print transform function. The default mapping table is the mapping table used if you do not override the default table using a customizing object.

<b>EBCDIC Code Page Used</b>	<b>Default ASCII Code Page</b>	<b>Alternate ASCII Code Page</b>	<b>Alternate ASCII Code Page</b>	<b>Alternate ASCII Code Page</b>	<b>Alternate ASCII Code Page</b>	<b>Alternate ASCII Code Page</b>	<b>Alternate ASCII Code Page</b>
037	437	850	860	863	1051		
273	850	437	1051				
277	850	865	1051				
278	850	437	865	1051			
280	850	437	1051				
282	850	860	1051				
284	850	437	1051				
285	850	437	1051				
297	850	437	1051				
420	864	1051					
423	851	1051					
424	856	862	1051				
500	850	437	860	861	863	865	1051
838	874	1051					
870	852	1051					
871	850	437	861	1051			
875	869	1051					
880	850	1051					
905	857	1051					
1025	850	1051					
1026	857	1051					

In addition, you can map the EBCDIC symbols code page (code page 259) to an ASCII code page. If you configure a printer to support the ASCII symbols code page

(code page 899), the complete mapping from EBCDIC code page 259 to ASCII code page 899 is used. Otherwise, a partial mapping is done from EBCDIC code page 259 to the currently defined ASCII code page. The partial mapping can be done from EBCDIC code page 259 to any of the following ASCII code pages:

437	850	851	852
856	857	860	861
862	863	864	865
869	874	899	1051

For more information on specific code pages, see the *International Application Development* book. For information on generating your own code page mapping table in QUSRSYS, see the Create Table (CRTTBL) command in the *CL Reference (Abridged)* book.

You can also customize EBCDIC-to-ASCII mapping for an individual code point within an EBCDIC code page. When you customize the mapping for an individual code point, though, you must indicate data values for every code point within the code page. You cannot just indicate the data value for the code point you want customized.

You begin support for various mapping tables with an EBCASCTBL tag, and end the support with an EEBCASCTBL tag. The EBCASCTBLE tags fall between the start and end tags to define the EBCDIC-to-ASCII mapping using the DATA parameter.

Using the EBCDIC-to-ASCII definition tags, your source could look something like this:

```
:EBCASCTBL.
    :EBCASCTBLE...
    .
    .
    :EBCASCTBLE...
    .
    .
:EEBCASCTBL.
```

Following is a description of each of the tags used to support EBCDIC-to-ASCII mapping for an ASCII printer.

### **EBCDIC-to-ASCII Mapping Table (EBCASCTBL) Tag**

You use the EBCASCTBL tag to begin a group of one or more EBCASCTBLE tags. This tag must be followed by one or more mapping table entry (EBCASCTBLE) tags. There are no parameters on this tag. The syntax for this tag is:

```
:EBCASCTBL.
```

### **EBCDIC-to-ASCII Mapping Table Entry (EBCASCTBLE) Tag**

You specify the EBCDIC-to-ASCII conversion table for an ASCII printer using the DATA parameter of the EBCASCTBLE (EBCDIC-to-ASCII mapping table entry) tag. The EBCASCTBLE tag must follow an EBCASCTBL tag. The syntax for this tag is:

```
:EBCASCTBLE
    EBCDICCP = EBCDIC code page
                identifier (integer)
```

ASCIIICP = ASCII code page  
          identifier (integer)  
DATA = EBCDIC to ASCII table data.

### **EBCDICCP**

A required parameter. Specifies the EBCDIC code page identifier.

*code page ID*

A registered identifier used to specify a particular assignment of code points to graphic characters.

### **ASCIIICP**

A required parameter. Specifies the ASCII code page identifier.

*code page ID*

A registered identifier used to specify a particular assignment of code points to graphic characters.

### **DATA**

A required parameter. Specifies the hexadecimal data that is used to map EBCDIC codes from the AS/400 system to the ASCII codes needed by the ASCII printer.

When you customize to replace the entire ASCII code page mapped to an EBCDIC code page, you set the DATA value to "X (null). For example, EBCDIC code page 277 maps to ASCII code page 865 by default. If you prefer to map EBCDIC code page 277 to ASCII code page 1051 (Roman 8), enter the following in your customizing source:

```
:EBCASCTBLE  
    EBCDICCP = 277  
    ASCIIICP = 1051  
    DATA = 'X.
```

When you customize for an individual code point within an ASCII code page, you must indicate data values for every code point within the code page. You cannot just indicate the data value for the code point you want customized. The data must be hexadecimal, and exactly 192 bytes in length. For example, EBCDIC code page 277 maps to ASCII code page 865 by default. You like this EBCDIC-to-ASCII code page mapping, except for the mapping of one character. To change the code page mapping for that character, you must indicate data values for every code point within the code page, not just for the code point you want changed.

### **End EBCDIC-to-ASCII Mapping Table (EEBCASCTBL) Tag**

You use the EEBCASCTBL (end EBCDIC-to-ASCII mapping table) tag to end the EBCDIC-to-ASCII mapping customization. The syntax for this tag is:

```
:EEBCASCTBL.
```

## **Supporting Additional ASCII Code Pages**

Support for each ASCII code page begins with an ASCCPINFO tag and ends with an EASCCPINFO tag. The following tags fall between the start and end tags to fully define the support of additional code pages:

```
    CODEPAGE  
    ASCICTL
```

Using the ASCII code page support tags, your source could look something like this for a printer supporting five separate code pages:

```
:ASCCPINFO.  
    :CODEPAGE....  
        :ASCICTL....  
        :ASCICTL....  
    :CODEPAGE....  
        :ASCICTL....  
:CODEPAGE....  
:CODEPAGE....  
:CODEPAGE....  
    :ASCICTL....  
    :ASCICTL....  
    :ASCICTL....  
:EASCCPINFO.
```

Following is a description of each of the tags used to support code pages for an ASCII printer.

### **ASCII Code Page Information (ASCCPINFO) Tag**

The ASCCPINFO (ASCII code page information) tag defines the beginning of a group of different ASCII code points within a specified ASCII code page. The ASCCPINFO tag must immediately precede a CODEPAGE tag in your source. The syntax for this tag is:

```
:ASCCPINFO.
```

### **Code Page (CODEPAGE) Tag**

The CODEPAGE (code page) tag defines the ASCII control sequence for selecting the ASCII code page. The CODEPAGE tag must follow the ASCCPINFO tag, another CODEPAGE tag, or an ASCIICTL tag in your source. You can use more than one CODEPAGE tag, but these tags must come between the ASCCPINFO and EASCCPINFO tags. The syntax for this tag is:

```
:CODEPAGE  
    CODEPAGE = ASCII code page (integer)  
    DATA = ASCII control sequence.
```

#### **CODEPAGE**

A required parameter. Specifies the identifier (ID) of the ASCII code page to be selected. Any integer value is accepted.

#### **DATA**

A required parameter. Specifies the ASCII control sequence for selecting the ASCII code page on the ASCII printer. This must be a hexadecimal value. The ASCII control sequence for selecting an ASCII code page is sent to the printer when that code page is requested in the data stream.

### **ASCII Control Code Mapping (ASCICTL) Tag**

The ASCIICTL (ASCII control code mapping) tag defines the ASCII control sequence for an ASCII control code. The ASCIICTL tag must immediately follow the CODEPAGE tag or another ASCIICTL tag in your source. You can use more than one ASCIICTL tag, but these tags must follow a CODEPAGE tag. The syntax for this tag is:

```
:ASCICTL  
    ASCII = control code  
    DATA = ASCII control sequence.
```



## **ASCII**

A required parameter. Specifies an ASCII control code. This must be a hexadecimal value from '01'X to 'FF'X.

## **DATA**

A required parameter. Specifies the ASCII control sequence that is substituted for the ASCII control code you want to map. This must be a hexadecimal value.

Specifying the ASCIICTL tag allows you to convert a single-byte control code to a multiple-byte control sequence. For example, you could use this code to have the printer print characters that are not normally in the range of printable characters (such as a heart or a diamond shape). You could also use this tag to allow the printer to change to a different code page to print a single character. Then you can have the printer change back to the original code page.

## **End ASCII Code Page Information (EASCCPINFO) Tag**

The EASCCPINFO (end ASCII code page information) tag ends a group of CODEPAGE and ASCIICTL tags defining ASCII code page support for an ASCII printer. This tag must come after an ASCCPINFO tag, and immediately following either a CODEPAGE or an ASCIICTL tag in your source. The syntax for this tag is:

```
:EASCCPINFO.
```

## **Overriding the Default ASCII Code Page (DFTASCCP) Tag**

The DFTASCCP (default ASCII code page) tag allows you to override the default ASCII code page for all EBCDIC code page values. You might use this tag to replace an IBM-defined code page with the code page defined by another manufacturer for a specific printer. For example, Hewlett-Packard printers have code pages defined that differ from the code pages defined by IBM. With the DFTASCCP tag, you can support a Hewlett-Packard defined code page. The DFTASCCP tag is used only when searching the system-supplied tables. The syntax for this tag is:

```
:DFTASCCP
    ASCIIICP = default ASCII code page
                identifier (integer).
```

## **ASCIIICP**

A required parameter. Specifies the ASCII code page identifier that should be used in place of the recommended ASCII code page for all EBCDIC code page values. The identifier must be an integer. The code page identifier is not validated to ensure you have entered a valid code page.

---

## **Customizing Fax Support**

Facismile Support/400 with a modem connection is supported by host print transform customizing. The tags can only be used when the printer data stream values are:

```
IOCA_G3MH
IOCA_G3MRK2
IOCA_G3MRK4
```

## Fax Size

You can customize printing for various fax sizes. You begin support for various fax sizes with an FAXSIZXFM tag, and end the support with an EFAXSIZXFM tag. The FAXSIZE tags fall between the start and end tags to define each different fax size.

Using the fax size tags, your source could look something like this for two different fax sizes:

```
:FAXSIZXFM.  
    :FAXSIZE....  
    :FAXSIZE....  
:EFAXSIZXFM.
```

The following section describes the tags used to support different fax sizes.

### Fax Size for Transform (FAXSIZXFM) Tag

The FAXSIZXFM (fax size for transform) tag defines the image output size for each drawer number. This tag must be followed by one or more fax size entry (ENVSIZE) tags that contain the fax sizes. The syntax for the FAXSIZXFM tag is:

```
:FAXSIZXFM.
```

### Fax Size Entry (FAXSIZE) Tag

The FAXSIZE (fax size entry) tag defines the image output size for a particular drawer number. One or more of these tags follows an FAXSIZXFM tag. An EFAXSIZXFM tag must follow a group of one or more of these tags. The syntax for the ENVSIZE tag is:

```
:FAXSIZE  
    DRAWER = 0-255  
    IMGWTH = image width in pels  
    IMGLEN = image length in pels.
```

#### **DRAWER**

A required parameter. Defines the drawer number for the output size.

**0** The envelope drawer is specified.

**1-255** The drawer 1-255 is specified.

#### **IMGWTH**

A required parameter. Specifies the output image width in pels. This value must be an integer.

#### **IMGLEN**

A required parameter. Specifies the output image in length pels. This value must be an integer.

### End Fax Size for Transform (EFAXSIZXFM) Tag

The EFAXSIZXFM (end fax size for transform) tag ends a group of fax size entries. The syntax for this tag is:

```
:EFAXSIZXFM.
```

---

## Customizing Double-Byte Character Set (DBCS) Support

### CCSID Mapping

You can customize the mapping of EBCDIC to ASCII CCSID's for double-byte character conversion. You begin the support for the EBCDIC to ASCII CCSID mapping with the EBCASCCSID tag and end the support with the EEBCASCCSID tag. The EBCASCCSIDE tags fall between defining each CCSID mapping.

Using the EBCDIC to ASCII CCSID mapping tags, your source could look something like this for a printer supporting DBCS.

```
:EBCASCCSID.  
  :EEBCASCCSIDE....  
  :EEBCASCCSIDE....  
:EEBCASCCSID.
```

If no tag is specified, the CCSID mapping is made according to the following table.

*Table 31. Default CCSID Mapping Table*

From CCSID	Default CCSID	Language
5026	932	Japanese
5035	932	Japanese
930	932	Japanese
931	932	Japanese
939	932	Japanese
933	949	Korean
937	950	Traditional Chinese
935	1381	Simplified Chinese

The following section describes the tags used to support specification of mapping of EBCDIC to ASCII CCSIDs.

#### **EBCDIC-to-ASCII CSSID mapping (EBCASCCSID) Tag**

The EBCASCCSID tag is used to begin a group of one or more EBCASCCSIDE tags. One or more CCSID mapping entries must follow this tag. There are no parameters on this tag. The syntax is:

```
:EBCASCCSID.
```

#### **EBCDIC-to-ASCII CSSID mapping entry (EBCASCCSIDE) Tag**

The EBCACCSIDE tag defines the mapping of double-byte EBCDIC CCSIDs to their ASCII CCSID. The EBCACCSIDE tags must follow an EBCASCCSID tag. The syntax is:

```
:EBCASCCSIDE  
  EBCDICCSID = EBCDIC CCSID (integer)  
  ASCII CCSID = ASCII CCSID (integer).
```

#### **EBCDICCSID**

This is a required parameter. This parameter defines the EBCDIC CCSID identifier. The CCSID is a registered ASCII identifier that is used to specify the CCSID of the source characters.

### **ASCIICCSID**

This is a required parameter. This parameter defines the ASCII CCSID identifier. The CCSID is a registered ASCII identifier that is used to specify the CCSID of the target characters.

### **End EBCDIC-to-ASCII CCSID mapping table entry (EEBCASCCSID) Tag**

The EEBCASCCSID tag is used to end the EBCDIC-to-ASCII CCSID mapping customization. The syntax is:

:EEBCASCCSID.

## **Shift In (SI) Tag**

The SI tag defines the ASCII control sequence to select single-byte mode for an ASCII printer. One byte of data represents printable characters. The syntax is:

:SI  
DATA = ASCII control sequence.

### **DATA**

A required parameter. Specifies the ASCII control sequence for the printer function. This must be a hexadecimal value.

## **Shift Out (SO) Tag**

The SO tag defines the ASCII control sequence to select double-byte mode for an ASCII printer. Two bytes of data represent printable characters. The syntax is:

:SO  
DATA = ASCII control sequence.

### **DATA**

A required parameter. Specifies the ASCII control sequence for the printer function. This must be a hexadecimal value.

## **DBCS Space (DBSPACE) Tag**

The DBSPACE tag defines the ASCII control sequence for the double-byte space control function for an ASCII printer. The syntax is:

:DBSPACE  
DATA = ASCII control sequence.

### **DATA**

A required parameter. Specifies the ASCII control sequence for the printer function. This must be a hexadecimal value.

## **Character Orientation (CHRORIENT) Tag**

The CHRORIENT tag defines the control sequence for setting different character orientations. The syntax is:

:CHRORIENT  
ORIENT = PORTRAIT|LANDSCAPE|RTT180|RTT270  
DATA = ASCII control sequence.

### **ORIENT**

A required parameter. Specifies the orientation that a character prints.

PORTRAIT	Characters print in an orientation rotated 0 degrees.
----------	---

LANDSCAPE	Characters print in an orientation rotated 90 degrees.
RTT180	Characters print in an orientation rotated at 180 degrees.
RTT270	Characters print in an orientation rotated at 270 degrees.

#### DATA

A required parameter. Specifies the ASCII control sequence for the printer function. This must be a hexadecimal value.

## Set Character Pitch (SCPITCH) Tag

The SCPITCH tag defines the control sequence for setting the number of characters per inch. The syntax is:

```
:SCPITCH
  VAROFFSET = variable offset in control sequence
  VARLEN = variable length
  VARTYPE = HIGHLOW|LOWHIGH|CHRDEC|CHRHEX|CHRAN
  CNVNUM = conversion ratio numerator
  CNVDEN = conversion ratio denominator
  DATA = ASCII control sequence.
```

#### VAROFFSET

This is a required parameter. This parameter specifies the offset for the variable portion of the control sequence. This value must be an integer.

**Note:** This offset is relative to the beginning of the control sequence. Therefore, a value of 0 implies that the variable starts in the first byte of the control sequence.

#### VARLEN

This is a required parameter. This parameter specifies the length of the variable portion of the control sequence. This value must be an integer (number of bytes).

#### VARTYP

A required parameter. This parameter specifies the type of variable that is used with the category of printer function tags.

HIGHLOW	The byte order of the variable is in high-low order. The most significant byte is first.
LOWHIGH	The byte order of the variable is in low-high order. The most significant byte is last.
CHRDEC	The variable is in character decimal format with no byte order consideration. All characters are in the range of 0 to 9. Many Hewlett-Packard ASCII printers use this type of variable.
CHRHEX	The variable is in character hexadecimal format with no byte order consideration. All characters are in the range of A to F.
CHRAN	The variable is in character alphanumeric format with no byte order consideration. All characters are in the range of 0 to 9, A to Z.

#### CNVNUM

A required parameter. This parameter specifies the numerator of the conversion ratio. This value must be an integer. The most commonly used value for CNVNUM is 1.

### **CNVDEN**

A required parameter. This parameter specifies the denominator of the conversion ratio. This value must be a nonzero integer.

CNVDEN defines the units that are used for the variable portion. For example, if movement is in 1/300ths, CNVNUM should be defined as 1 and CNVDEN should be defined as 300.

### **DATA**

A required parameter. This parameter specifies the ASCII control sequence for the set top margin (inches) printer function. This must be a hexadecimal value.

## **Set Line Pitch (SLPITCH) Tag**

The SCPITCH tag defines the control sequence for setting the number of lines per inch. The syntax is:

```
:SCPITCH  
  VAROFFSET = variable offset in control sequence  
  VARLEN = variable length  
  VARTYPE = HIGHLOW|LOWHIGH|CHRDEC|CHRHEX|CHRAN  
  CNVNUM = conversion ratio numerator  
  CNVDEN = conversion ratio denominator  
  DATA = ASCII control sequence.
```

### **VAROFFSET**

This is a required parameter. This parameter specifies the offset for the variable portion of the control sequence. This value must be an integer.

**Note:** This offset is relative to the beginning of the control sequence. Therefore, a value of 0 implies that the variable starts in the first byte of the control sequence.

### **VARLEN**

This is a required parameter. This parameter specifies the length of the variable portion of the control sequence. This value must be an integer (number of bytes).

### **VARTYP**

A required parameter. This parameter specifies the type of variable that is used with the category of printer function tags.

HIGHLOW	The byte order of the variable is in high-low order. The most significant byte is first.
LOWHIGH	The byte order of the variable is in low-high order. The most significant byte is last.
CHRDEC	The variable is in character decimal format with no byte order consideration. All characters are in the range of 0 to 9. Many Hewlett-Packard ASCII printers use this type of variable.
CHRHEX	The variable is in character hexadecimal format with no byte order consideration. All characters are in the range of A to F.
CHRAN	The variable is in character alphanumeric format with no byte order consideration. All characters are in the range of 0 to 9, A to Z.

**CNVNUM**

A required parameter. This parameter specifies the numerator of the conversion ratio. This value must be an integer. The most commonly used value for CNVNUM is 1.

**CNVDEN**

A required parameter. This parameter specifies the denominator of the conversion ratio. This value must be a nonzero integer.

CNVDEN defines the units that are used for the variable portion. For example, if movement is in 1/300ths, CNVNUM should be defined as 1 and CNVDEN should be defined as 300.

**DATA**

A required parameter. This parameter specifies the ASCII control sequence for the set top margin (inches) printer function. This must be a hexadecimal value.

## Set Font Size Scaling (FONTSCALING) Tag

The FONTSCALING tag defines the control sequence for setting the font size scaling. The syntax is:

```
:FONTSCALING
  VAROFFSET = variable offset in control sequence
  VARLEN = variable length
  VARTYPE = variable type
  CNVNUM = conversion ratio numerator
  CNVDEV = conversion ratio denominator
  DATA = ASCII control sequence.
```

**VAROFFSET**

This is a required parameter. This parameter specifies the offset for the variable portion of the control sequence. This value must be an integer.

**Note:** This offset is relative to the beginning of the control sequence. Therefore, a value of 0 implies that the variable starts in the first byte of the control sequence.

**VARLEN**

This is a required parameter. This parameter specifies the length of the variable portion of the control sequence. This value must be an integer (number of bytes).

**VARTYP**

A required parameter. This parameter specifies the type of variable that is used with the category of printer function tags.

HIGHLOW	The byte order of the variable is in high-low order. The most significant byte is first.
LOWHIGH	The byte order of the variable is in low-high order. The most significant byte is last.
CHRDEC	The variable is in character decimal format with no byte order consideration. All characters are in the range of 0 to 9. Many Hewlett-Packard ASCII printers use this type of variable.
CHRHEX	The variable is in character hexadecimal format with no byte order consideration. All characters are in the range of A to F.

CHRAN	The variable is in character alphanumeric format with no byte order consideration. All characters are in the range of 0 to 9, A to Z.
-------	---

### CNVNUM

A required parameter. This parameter specifies the numerator of the conversion ratio. This value must be an integer. The most commonly used value for CNVNUM is 1.

### CNVDEN

A required parameter. This parameter specifies the denominator of the conversion ratio. This value must be a nonzero integer.

CNVDEN defines the units that are used for the variable portion. For example, if movement is in 1/300ths, CNVNUM should be defined as 1 and CNVDEN should be defined as 300.

### DATA

A required parameter. This parameter specifies the ASCII control sequence for the set top margin (inches) printer function. This must be a hexadecimal value.

## Set Font Size Scale (FONTSCALE) Tag

The FONTSCALE tag defines the control sequence for setting the font size scale. The syntax is:

```
:FONTSCALE
  SCALE = 1VX1H | 2VX1H | 1VX2H | 2VX2H
  DATA = ASCII control sequence.
```

### SCALE

A required parameter. Specifies the font size scaling.

1VX1H	Normal vertical, normal horizontal
2VX1H	Double vertical, normal horizontal
1VX2H	Normal vertical, double horizontal
2VX2H	Double vertical, double horizontal

### DATA

A required parameter. Specifies the ASCII control sequence for the printer function. This must be a hexadecimal value.

## CPI (Set Characters per Inch)

The CPI tag defines the control sequence for setting the number of character per inch. To support DBCS printing, the additional values were added. The syntax is:

```
:CPI
  CPI = 6|67|75|18|
  DATA = ASCII control sequence.
```

### CPI

A required parameter. Specifies the number of characters per inch.

- 6**      6 characters per inch
- 67**     6.7 characters per inch
- 75**     7.5 characters per inch
- 18**     18 characters per inch



## DATA

A required parameter. Specifies the ASCII control sequence for setting the number of characters per inch. This must be a hexadecimal value.

## Set Grid Type (GLTYPE) Tag

The GLTYPE tag defines the control sequence for setting the grid line type. The syntax is:

```
:GLTYPE  
VAROFFSET = variable offset in control sequence  
VARLEN = variable length  
VARTYPE = variable type  
DATA = ASCII control sequence.
```

### VAROFFSET

This is a required parameter. This parameter specifies the offset for the variable portion of the control sequence. This value must be an integer.

**Note:** This offset is relative to the beginning of the control sequence. Therefore, a value of 0 implies that the variable starts in the first byte of the control sequence.

### VARLEN

This is a required parameter. This parameter specifies the length of the variable portion of the control sequence. This value must be an integer (number of bytes).

### VARTYP

A required parameter. This parameter specifies the type of variable that is used with the category of printer function tags.

HIGHLOW	The byte order of the variable is in high-low order. The most significant byte is first.
LOWHIGH	The byte order of the variable is in low-high order. The most significant byte is last.
CHRDEC	The variable is in character decimal format with no byte order consideration. All characters are in the range of 0 to 9. Many Hewlett-Packard ASCII printers use this type of variable.
CHRHEX	The variable is in character hexadecimal format with no byte order consideration. All characters are in the range of A to F.
CHRAN	The variable is in character alphanumeric format with no byte order consideration. All characters are in the range of 0 to 9, A to Z.

## DATA

A required parameter. This parameter specifies the ASCII control sequence for the set top margin (inches) printer function. This must be a hexadecimal value.

## Set Grid Line Width (GLWIDTH) Tag

The GLWIDTH tag defines the control sequence for setting the grid line width. The syntax is:

```
:GLWIDTH  
VAROFFSET = variable offset in control sequence  
VARLEN = variable length  
VARTYPE = variable type  
DATA = ASCII control sequence.
```

### **VAROFFSET**

This is a required parameter. This parameter specifies the offset for the variable portion of the control sequence. This value must be an integer.

**Note:** This offset is relative to the beginning of the control sequence. Therefore, a value of 0 implies that the variable starts in the first byte of the control sequence.

### **VARLEN**

This is a required parameter. This parameter specifies the length of the variable portion of the control sequence. This value must be an integer (number of bytes).

### **VARTYP**

A required parameter. This parameter specifies the type of variable that is used with the category of printer function tags.

HIGHLOW	The byte order of the variable is in high-low order. The most significant byte is first.
LOWHIGH	The byte order of the variable is in low-high order. The most significant byte is last.
CHRDEC	The variable is in character decimal format with no byte order consideration. All characters are in the range of 0 to 9. Many Hewlett-Packard ASCII printers use this type of variable.
CHRHEX	The variable is in character hexadecimal format with no byte order consideration. All characters are in the range of A to F.
CHRAN	The variable is in character alphanumeric format with no byte order consideration. All characters are in the range of 0 to 9, A to Z.

### **DATA**

A required parameter. This parameter specifies the ASCII control sequence for the set top margin (inches) printer function. This must be a hexadecimal value.

## **Draw Grid Line (DRAWLINE) Tag**

The DRAWLINE tag defines the control sequence for the draw grid line function. The syntax is:

```
:DRAWLINE  
  VAROFFSET = variable offset in control sequence  
  VARLEN = variable length  
  VARTYPE = variable type  
  CNVNUM = conversion ratio numerator  
  CNVNUM = conversion ration denominator  
  DATA = ASCII control sequence.
```

### **VAROFFSET**

This is a required parameter. This parameter specifies the offset for the variable portion of the control sequence. This value must be an integer.

**Note:** This offset is relative to the beginning of the control sequence. Therefore, a value of 0 implies that the variable starts in the first byte of the control sequence.

**VARLEN**

This is a required parameter. This parameter specifies the length of the variable portion of the control sequence. This value must be an integer (number of bytes).

**VARTYP**

A required parameter. This parameter specifies the type of variable that is used with the category of printer function tags.

HIGHLOW	The byte order of the variable is in high-low order. The most significant byte is first.
LOWHIGH	The byte order of the variable is in low-high order. The most significant byte is last.
CHRDEC	The variable is in character decimal format with no byte order consideration. All characters are in the range of 0 to 9. Many Hewlett-Packard ASCII printers use this type of variable.
CHRHEX	The variable is in character hexadecimal format with no byte order consideration. All characters are in the range of A to F.
CHRAN	The variable is in character alphanumeric format with no byte order consideration. All characters are in the range of 0 to 9, A to Z.

**CNVNUM**

A required parameter. This parameter specifies the numerator of the conversion ratio. This value must be an integer. The most commonly used value for CNVNUM is 1.

**CNVDEN**

A required parameter. This parameter specifies the denominator of the conversion ratio. This value must be a nonzero integer.

CNVDEN defines the units that are used for the variable portion. For example, if movement is in 1/300ths, CNVNUM should be defined as 1 and CNVDEN should be defined as 300.

**DATA**

A required parameter. This parameter specifies the ASCII control sequence for the set top margin (inches) printer function. This must be a hexadecimal value.

## Printer Data Stream (PRTDTASTRM) Tag

The PRTDTASTRM tag identifies the printer data stream that is supported by the ASCII printer. The following additional values have been added to support DBCS printing. The syntax is:

```
:PRTDTASTRM
  DATASTREAM = IBMNONPAGES|IBMPAGES|ESC/P|LIPS2+|LIPS3|201PL.
```

Value	Description	Raster Mode Supported
ESC/P	The Epson DBCS ESC/P data stream is supported.	No
IBMNONPAGES	The IBM DBCS Nonpages (dot matrix printers) data stream is supported.	No
IBMPAGES	The IBM DBCS Pages data stream is supported.	Yes
LIPS2+	The Cannon DBCS LIPS2+ data stream is supported.	No

Value	Description	Raster Mode Supported
LIPS3	The Cannon DBCS LIPS3 data stream is supported.	No
201PL	The NEC DBCS data stream is supported.	No

---

## Creating the Workstation Customizing Object

After you complete your changes to the workstation customizing source table in the source file member, use the Create Workstation Customizing Object (CRTWSCST) command. The CRTWSCST command creates a customizing object. For complete instructions on compiling and creating the workstation customizing object, see “Compiling and Creating the Workstation Customizing Object” on page 23.

---

## Specifying the Workstation Customizing Object

After you create the workstation customizing object, you need to specify the customizing object in the device description for a printer. Vary off the ASCII printer you want to customize and change the device description. Use the Change Device Description (Printer) (CHGDEVPRT) command to specify the customizing object in the device description for a printer.

1. Enable the host print transform function by specifying *\*Yes* in *Host print transform* prompt of the device description.
2. Specify *\*WSCST* for the *Manufacturer type and model* prompt in the MFRTYPMDL parameter.
3. Specify the name of the object for the *Workstation customizing object* prompt. Specifying the name of the object in the device description links the object to the device.

For complete instructions on changing the device description, see Chapter 5. Testing the Customizing Object.

Vary on the ASCII printer. The host print transform function uses the customized source to map the data sent by the AS/400 system to the printer:

- When you start the printer writer (using the STRPRTWTR command), for spooled print jobs
- When you print the job, for nonspooled print jobs

---

## Deleting the Workstation Customizing Object

Because customization involves a process of trial and error, you may need to delete customizing objects you have created. Use the Delete Workstation Customizing Object (DLTWSCST) command to delete a customized object that did not work as expected or that is no longer needed.

---

## Customizing a Hewlett-Packard LaserJet 4 Printer

This example shows the steps for customizing a Hewlett-Packard LaserJet 4 ASCII printer that uses the host print transform function. The objective for this example is to have the printer use the Roman 8 symbol set. The Roman 8 symbol set uses the code page normally supported by the Hewlett-Packard LaserJet 4 printer.

It is assumed that your printer is physically attached to the system and configured to work with the AS/400 system. The device type for the Hewlett-Packard printer is set to 3812, which is a comparable IBM laser printer.

### Setting up the Hewlett-Packard LaserJet 4 Printer

Set up the Hewlett-Packard LaserJet 4 ASCII printer using the following setup values:

Device Type	3812
Device model	0
Host print transform	*YES
Manufacturer type and model	*HP4
Paper source 1	*MFRTYPMDL
Paper source 2	*MFRTYPMDL
Envelope source	*MFRTYPMDL
ASCII code page 899 support	*NO

When this is done, you can vary on the printer.

### Step 1: Planning the Customizing

For this example, you specifically want to support the Roman 8 symbol set. Customizing an ASCII printer involves trial and error. You may have to go through the workstation customizing procedure several times before the characteristics you want to add or change are working correctly.

To support the Roman 8 symbol set, you find that you need to set the default ASCII code page to Roman 8. You then need to define the ASCII command sequence to select the Roman 8 code page at the printer.

Using the *International Application Development* book, you determine that the IBM code page identifier (ID) for the Roman 8 symbol set is code page 1051. Next, using “Overriding the Default ASCII Code Page (DFTASCCP) Tag” on page 189, you determine that you change the default code page by specifying the 1051 code page ID in the DFTASCCP tag. In addition, you determine that you define the ASCII command sequence to select the Roman 8 code page at the printer using the CODEPAGE tag as described in “Code Page (CODEPAGE) Tag” on page 188.

Table 32. Printer Function Tags—Example Work Sheet

Tag	Description	Hexadecimal Data
DFTASCCP	Overriding the default code page	ASCIICP=1051
CODEPAGE	Support for a code page	CODEPAGE=1051 DATA='1B283855'X.

## Step 2: Retrieving the Workstation Customizing Object Source

To create the workstation customizing source, you use the Retrieve Work Station Customizing Object Source (RTVWSCST) command and specify the following:

Device type	*TRANSFORM
Manufacturer type and model	*HP4
Source member	SRCMBR(CSTHP4)
Source file	SRCFILE(CSTSRC)
Library <sup>1</sup>	LIB(CSTLIB)
Text	TEXT('Customizing source for HP 4 LASERJET Printer')
<b>Note:</b> <sup>1</sup> You must specify an existing library.	

## Step 3: Changing the Source

After you retrieve the source, use the source entry utility (SEU) to change the printer characteristics and add the special character support. The command looks like the following:

```
STRSEU SRCFILE(CSTLIB/CSTSRC) SRCMBR(CSTHP4)
```

When you edit the file, only make changes, do not delete any of the tags even if no change is made. If tags are deleted, the functions and characteristics associated with those tags are no longer mapped and do not work anymore. This step and the next two steps are performed several times. Each time a few more changes are made to the workstation customizing source, which is then compiled and the device and controller are varied off and on. Print the test document each time you vary on the printer and start the printer writer to see if the changes are effective.

The following listing shows part of the source that you changed to customize the printer. For an example of retrieved source, see Appendix B. Source Code Examples.

```
:WSCST DEVCLASS=TRANSFORM.  
  
:TRNSFRMTBL.  
.  
.  
.  
/* Add tag here to override the default code page */  
  
:DFTASCCP  
  ASCIICP=1051.  
  
/* End of new tag. */  
  
/* ASCII Code Page */  
:ASCCPINFO.  
  
:CODEPAGE  
  CODEPAGE=437  
  DATA='1B28313055'X.  
  
:CODEPAGE  
  CODEPAGE=850  
  DATA='1B28313255'X.  
  
/* Add tag here to define the Roman 8 code page */
```

```

:CODEPAGE
CODEPAGE=1051
DATA='1B283855'X.

/* End of new tag. */

:EASCCPINFO.

:EWSCST.

```

## Step 4: Creating the Workstation Customizing Object

After you change and save the source, create the workstation customizing object using the Create Work Station Customizing Object (CRTWSCST) command. Follow these steps:

1. Type CRTWSCST on any command line and press F4 (Prompt).
2. Specify a name for the customizing object. This name must be unique to the device for which the object is being created. In this example, you might name the customizing object MYHP4.
3. Press F10 (Additional parameters) to display the remaining parameters.
4. Specify the name of the source file member you created and changed. In this example, you specified:

Source member	SRCMBR(CSTHP4)
Source file	SRCFILE(CSTSRC)
Library	LIB(CSTLIB)

5. Specify the authority you want to grant to users who do not have specific authority to the object.
6. Indicate whether or not this customizing object should replace an existing customizing object of the same name. In this example, you would indicate \*N0 in the *Replace* prompt.
7. Specify a description of the customizing object. For this example, you might specify 'Customizing object for HP 4 LaserJet Printer' for the *Text* prompt.
8. Press Enter.
9. Press F10 (Include detailed messages) on the Command Entry display to verify the command completed successfully.

## Step 5: Specifying the Workstation Customizing Object

After you create the workstation customizing object, use the CHGDEVPRT command to specify the customizing object in the device description for the printer. Follow these steps:

1. Vary off the ASCII printer you want to customize.
2. Type CHGDEVPRT on any command line and press F4 (Prompt).
3. Change the *Manufacturer type and model* prompt from \*HP4 to \*WSCST.
4. Press F10 (Additional parameters) and page through the information until the *Workstation customizing object* prompt is shown. At the *Workstation customizing object* prompt change the value to the unique name you create for the object. In this example, you would change the value to MYHP4.

## Step 6: Varying On the Device

To activate the workstation customizing function, vary off and then vary on the printer. Then start the printer writer for the printer. Print the test document on the Hewlett-Packard printer. The document is printed using the Roman 8 symbol set.



---

## Chapter 11. Customizing ASCII Printers That Use the Emulator on the Display

This chapter describes the workstation customizing source you use to customize an ASCII printer that does not use the host print transform function. This ASCII printer must be attached to one of the following twinaxial displays:

3477 Model H  
3486  
3487  
3488

### Notes:

1. To customize a 3477 Model H printer attached to a twinaxial display, the ASCII ID byte must be set to the default of 00 on the offline setup panel.
2. Differences exist between the customizing objects for the twinaxial displays. You should create separate customizing objects for the different device types, even if the customizing object source is the same. This is because some tags are ignored or handled differently when the device is varied on. These differences are only done once per customizing object so different device types cannot be varied on from the same object.

The OS/400 workstation customizing functions for ASCII printers attached to twinaxial displays allow you to do the following:

- Customize the functional characteristics of a supported ASCII printer attached to a twinaxial display
- Customize the functional characteristics and specify all the necessary parameters required to support a normally unsupported ASCII printer attached to a twinaxial display

To perform these customizations, the OS/400 licensed program provides a way to change the mapping tables used by the twinaxial display to support an ASCII printer. You must have the reference manual for both the twinaxial display (to set it up) and the ASCII printer in order to provide the new values for the printer mapping tables.

**Note:** This particular type of customizing may involve a lot of trial-and-error, depending on the type of printer, whether or not the device is already printing, and the completeness of the reference manual for the printer. You may spend anywhere from one to five days to complete a successful ASCII printer customization.

---

## Supported ASCII Printers Attached to Twinaxial Displays

Many IBM ASCII printers are currently supported by twinaxial displays. If the printer supports a character or function, you can add to or change the printing characteristics of these printers. To do this, make changes to a source member that contains the mapping tables used by the display to convert the AS/400 data stream to an ASCII data stream.

---

## Customizing Unsupported ASCII Printers Attached to Twinaxial Displays

To customize an ASCII printer not currently supported by IBM that is attached to a twinaxial display, ask the following questions:

- What printer functions or characteristics and national characters do I want this printer to support?

Write these down so that you can answer the next question.

- Does the printer itself support the functions I need?

Check the reference manual to determine this. If neither the printer nor the twinaxial display can support the functions you need, you cannot customize the printer to provide these functions.

- Does the printer emulate or support the emulation of an IBM printer?

If so, set it up to use the emulation because it could make your customizing easier.

- Is it a laser printer or a line/listing printer?

Laser printers attached to twinaxial displays are somewhat more difficult to customize and the customizing may require more time than you expect.

The reference manual is especially important when you customize an unsupported device. The hexadecimal code information provided by the reference manual for your device is critical to the workstation customizing process. Without the reference manual you cannot customize the device.

After you have answered the previous questions, you also need to do the following:

- Set up all the necessary hardware to connect the printer to the display

This is usually a parallel connection.

- Set up any programmable features provided by the printer

This is the time to set up IBM emulation (if supported), as well as any DIP switches and other parameters that affect the printer.

- Create the necessary controller and device descriptions if needed

The controller description is for a twinaxial controller and the device description for the printer can be automatically created using automatic configuration.

After you have set up and turned on the display and printer, do not forget to set up for the display to acknowledge the printer. When the display setup is complete, use one of your usual applications, such as OfficeVision/400, to print a short test document. This is the starting point for workstation customizing.

---

## Printer Mapping Table for ASCII Printers Attached to Twinaxial Displays

When you customize a printer definition table, it is downloaded from the workstation controller to the twinaxial display. It is then stored in the memory of the twinaxial display. The workstation controller does not download a particular EBCDIC-to-ASCII mapping table when a printer is varied on if the same table has previously been downloaded for another printer.

**Note:** For ASCII printers attached to 3477 Model H displays, you must sign off and turn off the display when you replace a printer definition table. This allows a new printer definition table to be downloaded to the display station.

## ASCII Printer Definition Table

The following printer support characteristics and capabilities can be specified within a printer definition table:

- Line spacing
- Pitch (characters per inch)
- Page length
- Highlighting characteristics (bold, underscore)
- Draft, letter, or text quality printing
- Paper feed capabilities
- Subscripting and superscripting
- Initialization and reset sequences
- Set global fonts
- Relative forward and backward movement

At first glance, the source for the printer definition table does not look like it supports all the functions listed previously. However, the tags and commands that are part of the tag language for workstation customizing allow you to add the print characteristics that are not included in the default printer definition table. The system provides you with a default printer definition table. It is this table which provides the source for an ASCII printer attached to a twinaxial display. This table is based on a line-oriented printer that has limited printing capabilities.

---

## Determining Which ASCII Printer Tables to Use

When you decide to customize an ASCII printer that is attached to a twinaxial display, you need to be sure you have retrieved the correct source for your twinaxial display and printer using the Retrieve Work Station Customizing Object Source (RTVWSCST) command. When you use the RTVWSCST command to retrieve a source file for twinaxial displays, you also retrieve the printer definition table for attached ASCII printers. Even though the default source for this printer definition table is for a line-oriented printer, you can still use this source as a basis for customizing a laser printer. (See “Customizing a Hewlett-Packard LaserJet Series IIP Printer Attached to a 3477 Twinaxial Display” on page 227 for an example showing the customizing of a laser printer using this table.) You can customize both your display and ASCII printer using this workstation customizing source.

---

## Working with the Tag Language for ASCII Printers Attached to Twinaxial Displays

When you specify a twinaxial display for the device type parameter on the Retrieve Work Station Customizing Object Source (RTVWSCST) command, the device class specified in the retrieved source is `DEVCLASS = TWINAXPRT`. The basic structure of the source file member looks like the following figure:

```

:WSCST DEVCLASS=TWINAXPRT.

:TKBDTBL with parameters.

:TKSTATE with parameters.
/*one keyboard state table*/
.
.

/*from 1 - 5 additional state tables */
/* depending on keyboard type */
.
.

:PDFNTBL. /*no parameters*/

.
.
printer function tag /*tag with parameters*/
.
.
.

:EWSCST.

```

*Figure 42. Source Structure for ASCII Printers Attached to Twinaxial Displays*

When using a workstation customizing object in which either a TKBDTBL or PDFNTBL tag is not present, the default system tables are used when the device is varied on. For more information about customizing the keyboards for twinaxial displays, see the description of the TKBDTBL tag in “Keyboard Translation Table (TKBDTBL) Tag” on page 63. This section provides the information you need to change the keyboard state tables required for specific combinations of parameters.

The following sections describe the additional tags that appear in the source you retrieve to customize an ASCII printer attached to a twinaxial display.

---

## Using the Tags to Customize ASCII Printers Attached to Twinaxial Displays

When you retrieve a source file for customizing an ASCII printer attached to a twinaxial display, specify the device type of the twinaxial display. Be sure you specify 3477, 3486, or 3487 for the device type on the Retrieve Work Station Customizing Object Source (RTVWSCST) command.

**Note:** When you retrieve a source file for customizing an ASCII printer attached to a 3488 display, specify 3487 as the device type. The OS/400 customizing functions support a 3488 display station as a 3487 display station.

### ASCII Printer Definition Table (PDFNTBL) Tag

The PDFNTBL (ASCII printer definition table) tag defines an ASCII printer definition table for an ASCII printer attached to a twinaxial display. The syntax for this tag is:

:PDFNTBL.

Figure 43. Syntax for the ASCII Printer Definition Table Tag

There are no keyword parameters associated with this tag. However, it is immediately followed by a number of separate printer function tags, which make up the table entries. See “Printer Function Tags” for more information about the individual printer function tags.

If you delete a printer function tag from your customizing source, the value for that tag is read from the default ASCII printer definition table stored in the emulator. If the same printer function tag occurs multiple times following a PDFNTBL tag, warning messages are sent to the job log. The customizing object uses the last occurrence of the tag in the source to map the printer function.

## Printer Function Tags

Printer function tags allow you to specify the ASCII control sequence for an individual printer function. The following sections describe the valid functions and corresponding tags for the device class of ASCII printer attached to a twinaxial display (DEVCLASS=TWINAXPRT). These tags must follow an ASCII printer definition table tag (PDFNTBL) in your source. Although some of these tags are valid for the device class of ASCII printer (DEVCLASS=ASCIIPRT), the parameters and values may differ. If you are customizing an ASCII printer that is directly attached to the ASCII workstation controller, use the tags described in Chapter 12. Customizing ASCII Printers That Use the Emulator on the Controller.

---

## Printer Function Tags for 3477 Model H, 3486, 3487, and 3488 Displays

The following printer function tags work for all 3477 Model H, 3486, 3487, and 3488 displays. The syntax for each tag is shown, following the tag description. Some tags have only a data parameter. Other tags have more than one parameter to describe variables within functions.

## Printer Function Tags with Variable and Relative Movement

The following table shows the printer function tags that have a variable and relative movement for the ASCII printer attached to a twinaxial display. Following the table is a description of the syntax for these tags and an example of how to change the values associated with the tags.

Table 33. Printer Function Tags with a Variable and Relative Movement

Tag	Description
FWDRMOV	Forward Relative Movement
BCKRMOV	Backward Relative Movement
PAGLENI	Set Page Length in Inches
VARLSPC	Variable Line Spacing

The general syntax for a printer function tag with a variable and relative movement is:

```
:xxxxxxxxx  
  VAROFFSET = variable offset in  
              control sequence  
  VARLEN = variable length
```

VARTYPE = HIGHLOW|LOWHIGH|CHRDEC|  
           CHRHEX|CHRAN  
 VARMAX = maximum variable value  
 ADJUST = adjustment  
         CNVNUM = conversion ratio numerator  
         CNVDEN = conversion ratio denominator  
 DATA = ASCII control sequence.

### VAROFFSET

A required parameter. Defines the offset for the variable portion of the control sequence. This value must be an integer.

**Note:** This offset is relative to the beginning of the control sequence. Therefore, a value of zero (0) implies that the variable starts in the first byte of the control sequence.

### VARLEN

A required parameter. Defines the length of the variable portion of the control sequence. This value must be an integer (number of bytes).

### VARTYPE

A required parameter. Defines the type of variable used with this category of printer function tags.

HIGHLOW	The byte order of the variable is in high-low order. The most significant byte is first.
LOWHIGH	The byte order of the variable is in low-high order. The most significant byte is last.
CHRDEC	The variable is in character decimal format with no byte order consideration. All characters are in the range from 0 to 9. Many Hewlett-Packard ASCII printers use this type of variable.
CHRHEX	The variable is in character hexadecimal format with no byte order consideration. All characters are in the range from 0 to 9, A to F.
CHRAN	The variable is in character alphanumeric format with no byte order consideration. All characters are in the range from 0 to 9, A to Z.

### VARMAX

A required parameter. Defines the maximum variable value. This value must be an integer.

### ADJUST

A required parameter. Defines the adjustment value for the variable. This value must be a signed integer.

### CNVNUM

A required parameter. Defines the numerator of the conversion ratio. This value must be an integer. The most commonly used value for CVNUM is 1.

### CNVDEN

A required parameter. Defines the denominator of the conversion ratio. This value must be an integer other than zero.

CNVDEN defines the units to be used for the variable portion. For example, if movement is in 1/300ths, CNVNUM should be defined as 1 and CNVDEN should be defined as 300.

### DATA

A required parameter. Specifies the ASCII control sequence for the printer

function. The maximum length of this value is 240 bytes. This value is the hexadecimal string associated with the function that is defined in the reference manual for the device.

## Backspace (BSP) Tag

The BSP (backspace) tag defines the ASCII control sequence for the backspace function for an ASCII printer. The syntax for this tag is:

```
:BSP  
    DATA = ASCII control sequence.
```

### DATA

A required parameter. Specifies the ASCII control sequence for the backspace function. This data must be coded as a hexadecimal value. The maximum length of this value is 240 bytes.

## Bell (BELL) Tag

The BELL (bell) tag defines the ASCII control sequence for the bell function for an ASCII printer. The bell function sounds the printer bell or beeper briefly. The syntax for this tag is:

```
:BELL  
    DATA = ASCII control sequence.
```

### DATA

A required parameter. Specifies the ASCII control sequence for the bell function. This data must be coded as a hexadecimal value. The maximum length of this value is 240 bytes.

## Start Bold Printing Function (STRBOLD) Tag

The STRBOLD (start bold printing) tag defines the ASCII control sequence for the start bold printing function for an ASCII printer. The syntax for this tag is:

```
:STRBOLD  
    DATA = ASCII control sequence.
```

### DATA

A required parameter. Specifies the ASCII control sequence for the start bold printing function. This data must be coded as a hexadecimal value. The maximum length of this value is 240 bytes.

## End Bold Printing (ENDBOLD) Tag

The ENDBOLD (end bold printing) tag defines the ASCII control sequence for the end bold printing function for an ASCII printer. The syntax for this tag is:

```
:ENDBOLD  
    DATA = ASCII control sequence.
```

### DATA

A required parameter. Specifies the ASCII control sequence for the end bold printing function. This data must be coded as a hexadecimal value. The maximum length of this value is 240 bytes.

## Carrier Return (CARRTN) Tag

The CARRTN (carrier return) tag defines the ASCII control sequence for the carrier return function for an ASCII printer. The CARRTN function returns the carrier to the left margin, without advancing a line. The syntax for this tag is:

```
:CARRTN  
DATA = ASCII control sequence.
```

### DATA

A required parameter. Specifies the ASCII control sequence for the carrier return function. This data must be coded as a hexadecimal value. The maximum length of this value is 240 bytes.

## Set Characters per Inch (CPI) Tag

The CPI (set characters per inch) tag defines the control sequence for setting the number of characters per inch. The CPI tag must follow a PDFNTBL tag in your source. The syntax for this tag is:

```
:CPI  
CPI = 5|6|855|10|12|15|171  
DATA = ASCII control sequence.
```

### CPI

A required parameter. Defines the number of characters per inch.

<b>5</b>	5 characters per inch
<b>6</b>	6 characters per inch
<b>855</b>	8.55 characters per inch
<b>10</b>	10 characters per inch
<b>12</b>	12 characters per inch
<b>15</b>	15 characters per inch
<b>171</b>	17.1 characters per inch

### DATA

A required parameter. Specifies the ASCII control sequence for setting the number of characters per inch. This must be a hexadecimal value. The maximum length of this value is 240 bytes.

**Note:** See “Set Characters per Inch (CPI) Tag” on page 223 for additional parameter values for this tag when used with 3486, 3487, and 3488 displays.

## Set Code Page (CODEPAGE) Tag

The CODEPAGE (set code page) tag defines the ASCII control sequence for setting different code pages. The CODEPAGE tag must follow a PDFNTBL tag in your source. The syntax for this tag is:

```
:CODEPAGE  
CODEPAGE = 850|899  
DATA = ASCII control sequence.
```

### CODEPAGE

A required parameter. Specifies the identifier (ID) of the code page to be set.

<b>850</b>	ASCII code page value
<b>899</b>	ASCII code page value



**DATA**

A required parameter. Specifies the ASCII control sequence for setting the code pages for an ASCII printer attached to a twinaxial display. This must be a hexadecimal value. The maximum length of this value is 240 bytes.

**Set Double Character Height (DBLCHRH) Tag**

The DBLCHRH (set double character height) tag defines the ASCII control sequence for doubling the character height for an ASCII printer. The syntax for this tag is:

```
:DBLCHRH
    DATA = ASCII control sequence.
```

**DATA**

A required parameter. Specifies the ASCII control sequence for the set double character height function. This data must be coded as a hexadecimal value. The maximum length of this value is 240 bytes.

**Start Double-Wide Continuous (STRWIDE) Tag**

The STRWIDE (start double-wide continuous) tag defines the ASCII control sequence for starting double-wide character spacing for an ASCII printer. The syntax for this tag is:

```
:STRWIDE
    DATA = ASCII control sequence.
```

**DATA**

A required parameter. Specifies the ASCII control sequence for the start double-wide continuous spacing function. This data must be coded as a hexadecimal value. The maximum length of this value is 240 bytes.

**End Double-Wide Continuous (ENDWIDE) Tag**

The ENDWIDE (end double-wide continuous) tag defines the ASCII control sequence for ending double-wide character spacing for an ASCII printer. The syntax for this tag is:

```
:ENDWIDE
    DATA = ASCII control sequence.
```

**DATA**

A required parameter. Specifies the ASCII control sequence for the end double-wide continuous spacing function. This data must be coded as a hexadecimal value. The maximum length of this value is 240 bytes.

**Drawer Selection (DWRSLT) Tag**

The DWRSLT (drawer selection) tag defines the control sequence for drawer selection. Drawer selection refers to the slots on the printer in which various sizes (or types) of paper are stored for use by the printer. The DWRSLT tag must follow the PDFNTBL tag in your source. The syntax for this tag is:

```
:DWRSLT
    DRAWER = PAPER|ENVELOPE|
            DRAWER1|DRAWER2
    DATA = ASCII control sequence.
```

**DRAWER**

A required parameter. Defines the drawer or slot from which paper is to be used

for printing.

PAPER	Selects manual paper feed as the source of paper for documents that are to be printed.
ENVELOPE	Selects the envelope drawer as the source of paper for documents that are to be printed.
DRAWER1	Selects drawer 1 as the source of paper for documents that are to be printed.
DRAWER2	Selects drawer 2 as the source of paper for documents that are to be printed.

#### **DATA**

A required parameter. Specifies the ASCII control sequence for the function. This must be a hexadecimal value. The maximum length of this value is 240 bytes.

## **Global Fonts for Printer Definition Table (FNTGPDT) Tag**

The FNTGPDT (global fonts for printer definition table (PDT)) tag defines the beginning of the global font ranges for a printer definition table. The FNTGPDT tag must follow the PDFNTBL tag in your source. It must be followed by at least one FNTGRNG (global font range) tag. The FNTGRNG tag must in turn be followed by an EFNTGPDT (end global fonts for printer definition table) tag. The syntax for the FNTGPDT tag is:

```
:FNTGPDT.
```

## **End Global Fonts for PDT (EFNTGPDT) Tag**

The EFNTGPDT (end global fonts for printer definition table (PDT)) tag ends the set of global font ranges for a PDT. The syntax for this tag is:

```
:EFNTGPDT.
```

## **Global Font Range (FNTGRNG) Tag**

The FNTGRNG (global font range) tag defines a range of global fonts for a printer definition table (PDT). The FNTGRNG tag must follow either a FNTGPDT (global fonts for printer definition table) tag or another FNTGRNG tag in your source. You can define a maximum of five fonts for use with the 3477 Model H display. The syntax for this tag is:

```
:FNTGRNG
  MINFID = font id
  MAXFID = font id
  DATA = ASCII control sequence.
```

#### **MINFID**

A required parameter. Defines the smallest global font ID in a group. This value must be an integer.

#### **MAXFID**

A required parameter. Defines the largest global font ID in a group. This value must be an integer.

#### **DATA**

A required parameter. Specifies the ASCII control sequence for the global font range. This must be a hexadecimal value. The maximum length of this value is 37 bytes.

## Foreground Color (FOREGRND) Tag

The FOREGRND (foreground color) tag defines the ASCII control sequence for setting different print or ink colors when the printer supports color. The FOREGRND tag must follow the PDFNTBL tag in your source. The syntax for this tag is:

```
:FOREGRND
    COLOR = BLACK|BLUE|RED|PINK|GREEN|
           CYAN|YELLOW|WHITE|DRKBLUE|
           ORANGE|PURPLE|DRKGREEN|
           TURQ|MUSTARD|GREY|BROWN
    DATA = ASCII control sequence.
```

### COLOR

A required parameter. Defines the color of the ink or print to be used by the printer when it supports different colors for printing.

BLACK	DRKBLUE (dark blue)	MUSTARD	RED
BLUE	DRKGREEN (dark green)	ORANGE	TURQ (turquoise)
BROWN	GREEN	PINK	WHITE
CYAN	GREY	PURPLE	YELLOW

### DATA

A required parameter. Specifies the ASCII control sequence for setting the foreground color. This must be a hexadecimal value. The maximum length of this value is 240 bytes.

## Form feed (FORMFEED) Tag

The FORMFEED (form feed) tag defines the ASCII control sequence for the form feed function for an ASCII printer. The FORMFEED control advances the paper to the top of the next page. The syntax for this tag is:

```
:FORMFEED
    DATA = ASCII control sequence.
```

### DATA

A required parameter. Specifies the ASCII control sequence for the form feed function. This data must be coded as a hexadecimal value. The maximum length of this value is 240 bytes.

## Initialize Printer (INITPRT) Tag

The INITPRT (initialize printer) tag defines the ASCII control sequence for the initialize printer function for an ASCII printer. The syntax for this tag is:

```
:INITPRT
    DATA = ASCII control sequence.
```

### DATA

A required parameter. Specifies the ASCII control sequence for the initialize printer function. This data must be coded as a hexadecimal value. The maximum length of this value is 240 bytes.

## Line Feed (LINEFEED) Tag

The LINEFEED (line feed) tag defines the ASCII control sequence for the line feed function for an ASCII printer. The line feed function advances the paper one line. The syntax for this tag is:

:LINEFEED  
DATA = ASCII control sequence.

#### DATA

A required parameter. Specifies the ASCII control sequence for the line feed function. This data must be coded as a hexadecimal value. The maximum length of this value is 240 bytes.

## Set Lines per Inch (LPI) Tag

The LPI (set lines per inch) tag defines the control sequence for setting the number of lines per inch you want to print. The LPI tag must follow the PDFNTBL tag in your source. The syntax for this tag is:

```
:LPI  
LPI = 3|4|6|8  
DATA = ASCII control sequence.
```

#### LPI

A required parameter. Defines the number of lines per inch. The valid values for this parameter are 3, 4, 6, and 8.

#### DATA

A required parameter. Specifies the ASCII control sequence for the function. This must be a hexadecimal value. The maximum length of this value is 240 bytes.

## Set Page Length in Lines (PAGLENL) Tag

The PAGLENL (set page length in lines) tag sets the page length in terms of the number of lines. The number of lines is carried as a variable in the control sequence for page length. The PAGLENL tag must follow the PDFNTBL tag in your source. The syntax for this tag is:

```
:PAGLENL  
VAROFFSET = variable offset in  
          control sequence  
VARLEN = variable length  
VARTYPE = HIGHLOW|LOWHIGH|CHRDEC|  
          CHRHEX|CHRAN  
VARMAX = maximum variable value  
ADJUST = adjustment  
DATA = ASCII control sequence.
```

#### VAROFFSET

A required parameter. Defines the offset for the variable in the control sequence. This value must be an integer.

**Note:** This offset is relative to the beginning of the control sequence. Therefore, a value of zero (0) implies that the variable starts in the first byte of the control sequence.

#### VARLEN

A required parameter. Defines the length of the variable. This value must be an integer.

#### VARTYPE

A required parameter. This attribute defines the type of variable. Possible values are:

HIGHLOW	The byte order of the variable is in high-low order.
---------	--

LOWHIGH	The byte order of the variable is in low-high order.
CHRDEC	The variable is in characters with no byte order consideration. All characters are in the range 0 to 9.
CHRHEX	The variable is in characters with no byte order consideration. All characters are in the range 0 to 9, A to F.
CHRAN	The variable is in characters with no byte order consideration. All characters are in the range 0 to 9, A to Z.

#### **VARMAX**

A required parameter. Defines the maximum variable value. This value must be an integer.

#### **ADJUST**

A required parameter. Defines the adjustment value to the variable. This value must be a signed integer.

#### **DATA**

A required parameter. Specifies the ASCII control sequence for the printer function. This must be a hexadecimal value. The maximum length of this value is 240 bytes.

## **Paper Feed (PRTFEED) Tag**

The PRTFEED (paper feed) tag defines the control sequence for different types of paper feeding. The PRTFEED tag must follow the PDFNTBL tag in your source. The syntax for this tag is:

```
:PRTFEED
    FEEDTYPE = EJECT|MANUAL|AUTO
    DATA = ASCII control sequence.
```

#### **FEEDTYPE**

A required parameter. Defines the type of paper feeding.

EJECT	The paper is ejected from the printer
MANUAL	The paper is fed to the printer manually (by hand).
AUTO	The paper is fed to the printer automatically.

#### **DATA**

A required parameter. Specifies the ASCII control sequence for the function. This must be a hexadecimal value. The maximum length of this value is 240 bytes.

## **Paper Orientation (PRTORIENT) Tag**

The PRTORIENT (paper orientation) tag defines the control sequence for setting different paper orientations. The PRTORIENT tag must follow the PDFNTBL tag in your source. The syntax for this tag is:

```
:PRTORIENT
    ORIENT = PORTRAIT|LANDSCAPE
    DATA = ASCII control sequence.
```

#### **ORIENT**

A required parameter. Defines the orientation in which a job prints.

PORTRAIT	The print job prints in an orientation rotated 0 degrees.
LANDSCAPE	The print job prints in an orientation rotated 90 degrees.

**DATA**

A required parameter. Specifies the ASCII control sequence for setting the paper orientation for the printer. This must be a hexadecimal value. The maximum length of this value is 240 bytes.

**Note:** For additional parameter values for this tag when used with 3486, 3487, and 3488 displays, see “Paper Orientation (PRTORIENT) Tag” on page 225.

## Print Quality (PRTQLTY) Tag

The PRTQLTY (print quality) tag defines the print quality control sequence. The PRTQLTY tag must follow the PDFNTBL tag in your source. The syntax for this tag is:

```
:PRTQLTY
      QLTYPYTYPE = DRAFT|LETTER|TEXT
      DATA = ASCII control sequence.
```

**QLTYTYPE**

A required parameter. Defines the quality of print.

DRAFT	The print quality is draft quality. This is equivalent to the *DRAFT type used in the OS/400 printer file commands.
LETTER	The print quality is letter quality. This is equivalent to the *NLQ type used in the OS/400 printer file commands.
TEXT	The print quality is text quality. This is equivalent to the *STD type used in the OS/400 printer file commands.

**DATA**

A required parameter. Specifies the ASCII control sequence for the function. This must be a hexadecimal value. The maximum length of this value is 240 bytes.

## Start Proportional Space (STRPROP) Tag

The STRPROP (start proportional space mode) tag defines the ASCII control sequence for the start proportional space mode for an ASCII printer. The syntax for this tag is:

```
:STRPROP
      DATA = ASCII control sequence.
```

**DATA**

A required parameter. Specifies the ASCII control sequence for the start proportional space mode function. This data must be coded as a hexadecimal value. The maximum length of this value is 240 bytes.

## End Proportional Space (ENDPROP) Tag

The ENDPROP (end proportional space mode) tag defines the ASCII control sequence for the end proportional space mode function for an ASCII printer. The syntax for this tag is:

```
:ENDPROP
      DATA = ASCII control sequence.
```

**DATA**

A required parameter. Specifies the ASCII control sequence for the end

proportional space mode function. This data must be coded as a hexadecimal value. The maximum length of this value is 240 bytes.

## Quality Font Download (SETQLTY) Tag

The SETQLTY (quality font download) tag defines the ASCII control sequence that sets the print quality for specific fonts. The SETQLTY tag must follow the PDFNTBL tag in your source. The syntax for this tag is:

```
:SETQLTY
      QLTYYTYPE = DRAFT|LETTER
      DATA = ASCII control sequence.
```

### QLTYYTYPE

A required parameter. Defines the quality for the font to be downloaded.

DRAFT	The font is a draft quality font.
LETTER	The font is a letter quality font.

### DATA

A required parameter. Specifies the ASCII control sequence for downloading the quality font. This must be a hexadecimal value. The maximum length of this value is 240 bytes.

## Space (SPACE) Tag

The SPACE (space) tag defines the ASCII control sequence for the space control function for an ASCII printer. The syntax for this tag is:

```
:SPACE
      DATA = ASCII control sequence.
```

### DATA

A required parameter. Specifies the ASCII control sequence for the space function. This data must be coded as a hexadecimal value. The maximum length of this value is 240 bytes.

## Set Standard Character Height (STDCHRH) Tag

The STDCHRH (set standard character height) tag defines the ASCII control sequence for the set standard character height function for an ASCII printer. The syntax for this tag is:

```
:STDCHRH
      DATA = ASCII control sequence.
```

### DATA

A required parameter. Specifies the ASCII control sequence for the set standard character height function. This data must be coded as a hexadecimal value. The maximum length of this value is 240 bytes.

## Start Subscript (STRSUBS) Tag

The STRSUBS (start subscript) tag defines the ASCII control sequence for the start subscript function for an ASCII printer. The syntax for this tag is:

```
:STRSUBS
      DATA = ASCII control sequence.
```

### DATA

A required parameter. Specifies the ASCII control sequence for the start

subscript function. This data must be coded as a hexadecimal value. The maximum length of this value is 240 bytes.

## End Subscript (ENDSUBS) Tag

The ENDSUBS (end subscript) tag defines the ASCII control sequence for the end subscript function for an ASCII printer. The syntax for this tag is:

```
:ENDSUBS  
    DATA = ASCII control sequence.
```

### DATA

A required parameter. Specifies the ASCII control sequence for the end subscript function. This data must be coded as a hexadecimal value. The maximum length of this value is 240 bytes.

## Start Superscript (STRSUPS) Tag

The STRSUPS (start superscript) tag defines the ASCII control sequence for the start superscript function for an ASCII printer. The syntax for this tag is:

```
:STRSUPS  
    DATA = ASCII control sequence.
```

### DATA

A required parameter. Specifies the ASCII control sequence for the start superscript function. This data must be coded as a hexadecimal value. The maximum length of this value is 240 bytes.

## End Superscript (ENDSUPS) Tag

The ENDSUPS (end superscript) tag defines the ASCII control sequence for the end superscript function for an ASCII printer. The syntax for this tag is:

```
:ENDSUPS  
    DATA = ASCII control sequence.
```

### DATA

A required parameter. Specifies the ASCII control sequence for the end superscript function. This data must be coded as a hexadecimal value. The maximum length of this value is 240 bytes.

## Table Name (TBLNAME) Tag

The TBLNAME (table name) tag specifies a name for the printer definition table. The TBLNAME tag must follow the PDFNTBL tag in your source. The syntax for this tag is:

```
:TBLNAME  
    DATA = name.
```

### DATA

A required parameter. Specifies a table name for the printer definition table.

*name*

A 1- to 8-character string used to name the printer definition table. Only characters defined in code page 500 may appear in the name.



## Translation Printer Definition Table (TRNEBCDIC) Tag

The TRNEBCDIC (translation printer definition table) tag defines the beginning of the translation mappings for a printer definition table (PDT). The TRNEBCDIC tag must follow the PDFNTBL tag in your source. It must be followed by at least one TRNEBCDICE (translation entry) tag, which must be followed by an ETRNEBCDIC (end translation PDT) tag. The syntax for this tag is:

```
:TRNEBCDIC.
```

## End Translation Printer Definition Table (ETRNEBCDIC) Tag

The ETRNEBCDIC (end translation printer definition table (PDT)) tag ends the set of translation mappings for a PDT. The syntax for this tag is:

```
:ETRNEBCDIC.
```

## Translation Entry (TRNEBCDICE) Tag

The TRNEBCDICE (translation entry) tag defines the ASCII control sequence for mapping one EBCDIC character to one ASCII character. The TRNEBCDICE tag must follow either a TRNEBCDIC (translation printer definition table (PDT)) tag or another TRNEBCDICE tag in your source. The syntax for this tag is:

```
:TRNEBCDICE  
    EBCDIC = code  
    DATA = ASCII control sequence.
```

### EBCDIC

A required parameter. Specifies the EBCDIC code you want to map. This must be a hexadecimal value.

### DATA

A required parameter. Specifies the ASCII control sequence for the EBCDIC character to ASCII character mapping. This must be a hexadecimal value. The maximum length of this value is 240 bytes.

## Start Underscore (STRUS) Tag

The STRUS (start underscore) tag defines the ASCII control sequence for the start underscore function for an ASCII printer. The syntax for this tag is:

```
:STRUS  
    DATA = ASCII control sequence.
```

### DATA

A required parameter. Specifies the ASCII control sequence for the start underscore function. This data must be coded as a hexadecimal value. The maximum length of this value is 240 bytes.

## End Underscore (ENDUS) Tag

The ENDUS (end underscore) tag defines the ASCII control sequence for the end underscore function for an ASCII printer. The syntax for this tag is:

```
:ENDUS  
    DATA = ASCII control sequence.
```

### DATA

A required parameter. Specifies the ASCII control sequence for the end

underscore function. This data must be coded as a hexadecimal value. The maximum length of this value is 240 bytes.

## Set Vertical Units (VERUNT) Tag

The VERUNT (set vertical units) tag defines the ASCII control sequence for the set vertical units function for an ASCII printer. The syntax for this tag is:

```
:VERUNT  
DATA = ASCII control sequence.
```

### DATA

A required parameter. Specifies the ASCII control sequence for the set vertical units function. This data must be coded as a hexadecimal value. The maximum length of this value is 240 bytes.

---

## Additional Tags for Use with 3486, 3487, and 3488 Displays

The following tags, or additional parameters described with tags, work with 3486, 3487, and 3488 displays. These tags or additional parameters do not work for 3477 Model H displays.

The following tags define more printer functions and must also follow the PDFNTBL tag in your workstation source.

## Adjust Horizontal Origin (ADJHRZORG) Tag

The ADJHRZORG (adjust horizontal origin) tag specifies the horizontal print head positioning. The ADJHRZORG tag must follow an ASCII printer definition table (PDFNTBL) tag in your source. The syntax for this tag is:

```
:ADJHRZORG  
ADJUST = adjustment.
```

### ADJUST

A required parameter. Specifies the size of the adjustment for horizontal print head positioning in 1/1440-inch increments. This value must be a signed integer.

*adjustment*

Integer value for the adjustment size for horizontal print head positioning.

## Adjust Vertical Origin (ADJVERORG) Tag

The ADJVERORG (adjust vertical origin) tag specifies the vertical print head positioning. This is the vertical position on the physical page where printing should begin. The ADJVERORG tag must follow an ASCII printer definition table tag (PDFNTBL) in your source. The syntax for this tag is:

```
:ADJVERORG  
ADJUST = adjustment.
```

### ADJUST

A required parameter. Specifies the size of the adjustment for vertical print head positioning in 1/1440-inch increments. This value must be a signed integer.

*adjustment*

Integer value for the adjustment size for vertical print head positioning.

## Set Characters per Inch (CPI) Tag

The CPI (set characters per inch) tag defines the control sequence for setting the number of characters per inch. The CPI tag must follow a PDFNTBL tag in your source. The syntax for this tag is:

```
:CPI
    CPI = 5|6|855|10|12|15|171|20|25
    DATA = ASCII control sequence.
```

### CPI

A required parameter. Defines the number of characters per inch.

<b>5</b>	5 characters per inch
<b>6</b>	6 characters per inch
<b>855</b>	8.55 characters per inch
<b>10</b>	10 characters per inch
<b>12</b>	12 characters per inch
<b>15</b>	15 characters per inch
<b>171</b>	17.1 characters per inch
<b>20</b>	20 characters per inch
<b>25</b>	25 characters per inch

**Note:** The 20 CPI and 25 CPI values are supported only when your ASCII printer is attached to a 3486, 3487, or 3488 twinaxial display.

### DATA

A required parameter. Specifies the ASCII control sequence for setting the number of characters per inch. This must be a hexadecimal value. The maximum length of this value is 240 bytes.

## Set Characters per Inch in COR Mode (CPICOR) Tag

The CPICOR (set characters per inch in computer output reduction (COR) mode) tag defines the control sequence for setting the number of characters per inch while in COR mode. For example, you can define all print jobs that normally use a 10-pitch type style use a particular 17-pitch type style when COR (reduction) is applied.

The CPICOR tag must follow the PDFNTBL tag in your source. The syntax for this tag is:

```
:CPICOR
    CPI = 10|12|15
    ASCIIIFNT = type style
    FNTWTH = integer
    FNTATR = integer
    DATA = ASCII control sequence.
```

### CPI

A required parameter. This is the current number of characters per inch before the reduction is applied. For example, to define the type style to use for COR in a 10-pitch print job, specify CPI=10.

<b>10</b>	10 characters per inch
<b>12</b>	12 characters per inch

15 15 characters per inch

#### **ASCII FNT**

A required parameter. Specifies the ASCII type style (the global font ID (FGID)) to be used when reduction is applied. This value must be an integer.

For example, the FGID for a Courier 17-pitch font (17 characters per inch) is 254. Therefore, you specify ASCII FNT=254 for a Courier 17-pitch font. For information on global font IDs, see the *Printer Device Programming* book.

#### **FNTWTH**

A required parameter. Specifies the width, in 1/1440-inch increments, of the font used when reduction is applied. This value must be an integer.

For example, if you use a 17-pitch font when reduction is applied, divide the increment by the number of characters per inch (1440/17). This gives you a font width of 85 (rounded off) for the substituted font. Therefore, you specify FNTWTH=85.

#### **FNTATR**

A required parameter. Specifies the attribute value for the substituted font. This value must be an integer.

For example, the technical reference manual for the IBM 4029 printer lists 0 through 4 as possible attribute values for the substituted font. In most cases, you specify a fixed-pitch type style (FNTATR=1) for the substitute font attribute value.

#### **DATA**

A required parameter. Specifies the ASCII control sequence to select the substituted font. This must be a hexadecimal value. The maximum length of this value is 240 bytes. You find the ASCII control sequence in the technical reference manual for your printer under the description of selecting type styles.

For example, the control sequence for selecting type styles for an IBM 4029 printer is in the 4029 technical reference manual under the description of the Select Font Global command. To select a font group ID of 254 for an IBM 4029 printer, you specify DATA='1B5B49050000FE005401'X.

## **Duplex Printing (DUPXPRT) Tag**

The DUPXPRT (duplex printing) tag defines the ASCII control sequence for the duplex printing function for an ASCII printer. The DUPXPRT control prints on both sides of a sheet of paper. The syntax for this tag is:

```
:DUPXPRT  
    DATA = ASCII control sequence.
```

#### **DATA**

A required parameter. Specifies the ASCII control sequence for the duplex printing function. This data must be coded as a hexadecimal value. The maximum length of this value is 240 bytes.

## **Half Line Feed (HLFLINEFEED) Tag**

The HLFLINEFEED (half line feed) tag defines the ASCII control sequence for the half line feed function for an ASCII printer. The HLFLINEFEED control advances the paper one half of a line. The syntax for this tag is:

:HLFLINEFEED  
DATA = ASCII control sequence.

#### DATA

A required parameter. Specifies the ASCII control sequence for the half line feed function. This data must be coded as a hexadecimal value. The maximum length of this value is 240 bytes.

## Jog Output Tray (JOGOUTTRAY) Tag

The JOGOUTTRAY (jog output tray) tag defines the ASCII control sequence for the jog output tray function for an ASCII printer. The syntax for this tag is:

:JOGOUTTRAY  
DATA = ASCII control sequence.

#### DATA

A required parameter. Specifies the ASCII control sequence for the jog output tray function. This data must be coded as a hexadecimal value. The maximum length of this value is 240 bytes.

## Select Next Side Printing in Duplex (NXTDUPXPRT) Tag

The NXTDUPXPRT (select next side printing in duplex) tag defines the ASCII control sequence for the select next side printing in duplex function for an ASCII printer. The syntax for this tag is:

:NXTDUPXPRT  
DATA = ASCII control sequence.

#### DATA

A required parameter. Specifies the ASCII control sequence for the select next side printing in duplex function. This data must be coded as a hexadecimal value. The maximum length of this value is 240 bytes.

## Paper Orientation (PRTORIENT) Tag

The PRTORIENT (paper orientation) tag defines the control sequence for setting different paper orientations. The PRTORIENT tag must follow the PDFNTBL tag in your source. The syntax for this tag is:

:PRTORIENT  
ORIENT = PORTRAIT|LANDSCAPE|  
RTT180|RTT270  
DATA = ASCII control sequence.

#### ORIENT

A required parameter. The orientation in which a print job prints.

PORTRAIT	The print job prints in an orientation rotated 0 degrees.
LANDSCAPE	The print job prints in an orientation rotated 90 degrees.
RTT180 <sup>1</sup>	The print job prints in an orientation rotated 180 degrees.
RTT270 <sup>1</sup>	The print job prints in an orientation rotated 270 degrees.

<sup>1</sup>The RTT180 and RTT270 values are supported only when your ASCII printer is attached to a [3486](#), [3487](#), or [3488](#) twinaxial display.

#### DATA

A required parameter. Specifies the ASCII control sequence for setting the paper orientation for the printer. This must be a hexadecimal value. The maximum length of this value is 240 bytes.

## Reverse Half Line Feed (RVSHLFLINEFEED) Tag

The RVSHLFLINEFEED (reverse half line feed) tag defines the ASCII control sequence for the reverse half line feed function for an ASCII printer. The reverse half line feed function moves the paper back up one half line. The syntax for this tag is:

```
:RVSHLFLINEFEED  
    DATA = ASCII control sequence.
```

### DATA

A required parameter. Specifies the ASCII control sequence for the reverse half line feed function. This data must be coded as a hexadecimal value. The maximum length of this value is 240 bytes.

## Reverse Line Feed (RVSLINEFEED) Tag

The RVSLINEFEED (reverse line feed) tag defines the ASCII control sequence for the reverse line feed function for an ASCII printer. The reverse line feed function moves the paper back up one line. The syntax for this tag is:

```
:RVSLINEFEED  
    DATA = ASCII control sequence.
```

### DATA

A required parameter. Specifies the ASCII control sequence for the reverse line feed function. This data must be coded as a hexadecimal value. The maximum length of this value is 240 bytes.

## Set Simplex Printing (SMPXPRT) Tag

The SMPXPRT (set simplex printing) tag defines the ASCII control sequence for the set simplex printing function for an ASCII printer. The SMPXPRT tag sets the printer to print on one side of the paper. The syntax for this tag is:

```
:SMPXPRT  
    DATA = ASCII control sequence.
```

### DATA

A required parameter. Specifies the ASCII control sequence for the set simplex printing function. This data must be coded as a hexadecimal value. The maximum length of this value is 240 bytes.

## Set Tumble Duplex Printing (TUMDUPXPRT) Tag

The TUMDUPXPRT (set tumble duplex printing) tag defines the ASCII control sequence for the set tumble duplex printing function for an ASCII printer. The syntax for this tag is:

```
:TUMDUPXPRT  
    DATA = ASCII control sequence.
```

### DATA

A required parameter. Specifies the ASCII control sequence for the set tumble duplex printing function. This data must be coded as a hexadecimal value. The maximum length of this value is 240 bytes.

## Set Vertical Units in Half (VERUNTHLF) Tag

The VERUNTHLF (set vertical units in half) tag defines the ASCII control sequence for the set vertical units in half function for an ASCII printer. The syntax for this tag is:

```
:VERUNTHLF  
    DATA = ASCII control sequence.
```

### DATA

A required parameter. Specifies the ASCII control sequence for the set vertical units in half function. This data must be coded as a hexadecimal value. The maximum length of this value is 240 bytes.

---

## Customizing a Hewlett-Packard LaserJet Series IIP Printer Attached to a 3477 Twinaxial Display

This example shows the steps for the customizing of a Hewlett-Packard LaserJet Series IIP ASCII printer attached to a 3477 Model H twinaxial display with a 122-key typewriter keyboard. The objective, for this example, is having the printer work effectively with simple OfficeVision/400 documents.

It is assumed that your twinaxial workstation is physically attached to the system, configured to work with the AS/400 system (appropriate controller and device descriptions are created), and is varied on. It is also assumed that the AS/400 system has automatically configured the attached printer (system value QAUTOCFG = 1). When you do this, the device type for the Hewlett-Packard printer is set to 5219, which is a comparable IBM laser printer.

## Setting up the 3477 Model H Display

First, set up the 3477 display station to handle a printer. Select the following setup values to accommodate the Hewlett-Packard LaserJet Series IIP ASCII printer.

Terminal mode	Display-Printer
Display address	0
Printer address	1
Printer character set	Multilingual4
Printer emulation	5219
Keyboard type	Standard
ASCII printer type	User-Defined
ASCII print ID	01 (The ASCII printer ID cannot be set to 00 because of limitations of the twinaxial display.)

Next, change the setup for the printer so that the connection to the 3477 display is parallel. You should also check the DIP switch settings and the other setup values that are programmed on the printer itself. When this is done, you can vary on the printer.

## Step 1: Planning the Customizing

Customizing an ASCII printer attached to a 3477 Model H display involves trial-and-error. You may have to go through the workstation customizing procedure several times before all the characteristics you want to add or change are working correctly.

First, create a simple one-page document using the OfficeVision/400 editor as shown in Figure 44. Print this document to test the characteristics that you expect from your printer. For this example, you specifically want to support the following print characteristics:

- Bold printing
- Centering
- Underlined printing
- Line spacing
- Portrait/Landscape printing

You may need to change more than just these characteristics, but you do not know that until you have tried customizing and seen what the results are.

Example Showing Printer Functions Before and After Customizing

This is a test for bold printing.

This is a test for underscored printing.

This is a test for centering.

The following two lines will be separated by a 6-lines-per-inch spacing. The following two lines will be separated by a 6-lines-per-inch spacing.

The following two lines will be separated by an 8-lines-per-inch spacing. The following two lines will be separated by an 8-lines-per-inch spacing.

This is a test for print orientation in portrait.

This is a test for print orientation in landscape. (Rotate 90)

This is a test to show the customized special characters that would not print without customizing:  
(not used for ASCII printer attached to 3477 test)

ä ö ü Ä Ö Ü

*Figure 44. OfficeVision/400 Printer Test Document*

The first time you print this document, extra pages are generated, some strange characters are printed on the top of the page, the title appears alone on the second



page, and none of the other print characteristics are apparent except for centering. The strange character string at the top of the page looks like this:

@ ♥ ☺ ☺ I ♣ É ☺ ♦ @  
RV2H486-0

The last page of the test document when printed the first time looked something like Figure 45.

```
?This is a test for bold printing.  
?  
?  
?This is a test for underscored printing.  
?  
?  
?                This is a test for centering.  
?  
?  
?The following two lines will be separated by a 6-lines-per-inch  
?spacing. The following two lines will be separated by a  
?6-lines-per-inch spacing.  
?  
?  
?The following two lines will be separated by an 8-lines-per-inch  
?spacing. The following two lines will be separated by an  
?8-lines-per-inch spacing.  
?  
?  
?This is a test for print orientation in portrait.  
?  
?  
?This is a test for print orientation in landscape. (Rotate 90)  
?  
?  
?This is a test to show the customized special characters that  
?would not print without customizing:  
?(not used for ASCII printer attached to 3477 test)  
?  
?  
?ä ö ü Ä Ö Ü
```

Figure 45. OfficeVision/400 Test Document First Printout

To remove the strange characters, you investigate the printer initialization sequence. You find that you need to set the variable line spacing, page length in lines and inches, forward and backward relative movement, paper feed to the printer, and drawer selection.

After you know what needs to be changed, check to see if the printer itself can support these functions. If so, then you need to fill in the printer customizing work sheet showing the printer characteristic and the associated hexadecimal value from the printer reference manual. Remember, if the device does not support a character or function, then workstation customizing cannot provide it either.

After checking the reference manual for the Hewlett-Packard LaserJet Series IIP printer, you find that subscripts and superscripts are not supported at all (with the basic font cartridge). As you are going through the manual, you write down the hexadecimal codes that the printer uses to call the other functions and

characteristics you want to support. The list is shown in Table 34, Table 35 on page 230, and Table 36 on page 231.

You also find that Hewlett-Packard uses some terminology that is different from IBM terminology when referring to some of the printer characteristics. For example, IBM uses the terms code page and character set to describe different sets of national language and graphics characters. Hewlett-Packard provides support for different character sets, but refers to them as symbol sets. Knowing that there are some differences in terminology helps you find some of the hexadecimal codes needed for customizing.

Table 34. Printer Function Tags with Only a Data Parameter – Example Work Sheet

Tag	Description	Hexadecimal Data
INITPRT	Initialize Printer	DATA='1B5B4B03000031011B5B5C020090001B5B5405000000035200'X
ENDBOLD	End Bold Printing	DATA='1B46'X
ENDUS	End Underscore	DATA='1B2D00'X
STRBOLD	Start Bold Printing	DATA='1B45'X
STRUS	Start Underscore	DATA='1B2D01'X

Table 35. Printer Function Tags with Variable and Relative Movement – Example Work Sheet

Tag	Description	Data (see Note)
FWDRMOV	Forward Relative Movement	VAROFFSET= 2 VARLEN= 2 VARTYPE= <b>LOWHIGH</b> VARMAX= 32767 ADJUST= 0 CNVNUM= 12 CNVDEN= 1 DATA='1B640F00'X
BCKRMOV	Backward Relative Movement	VAROFFSET= 2 VARLEN= 2 VARTYPE= <b>LOWHIGH</b> VARMAX=32767 ADJUST=0 CNVNUM=12 CNVDEN=1 DATA='1B650F00'X
PAGLENI	Set Page Length in Inches	VAROFFSET= 3 VARLEN= 1 VARTYPE= <b>LOWHIGH</b> VARMAX= 255 ADJUST= 0 CNVNUM= 1440 CNVDEN= 1 DATA='1B43000B'X

Table 35. Printer Function Tags with Variable and Relative Movement – Example Work Sheet (continued)

Tag	Description	Data (see Note)
VARLSPC	Variable Line Spacing	VAROFFSET= 11 VARLEN= 1 VARTYPE= <b>LOWHIGH</b> VARMAX= 255 ADJUST= 0 CNVNUM= 10 CNVDEN= 1 DATA='1B5B5C040090009 0001B41101B32'X.
<b>Note:</b> Values in the Data column can be hexadecimal or integer.		

Table 36. Other Printer Function Tags – Example Work Sheet

Tag	Description	Data
DWRSLT	Drawer selection	DRAWER= <b>DRAWER1</b> DATA='1B5B460300030101'X
DWRSLT	Drawer selection	DRAWER= <b>DRAWER2</b> DATA='1B5B460300030102'X
DWRSLT	Drawer selection	DRAWER= <b>ENVELOPE</b> DATA='1B5B460300030200'X
PAGLENL	Set page length in lines	VAROFFSET= 2 VARLEN= 1 VARTYPE= <b>LOWHIGH</b> VARMAX= 255 ADJUST= 0 DATA='1B4342'X
PRTFEED	Paper feed	FEEDTYPE= <b>MANUAL</b> DATA='1B5B460300010100'X
PRTORIENT	Paper orientation	ORIENT= <b>PORTRAIT</b> DATA='1B266C304F'X
PRTORIENT	Paper orientation	ORIENT= <b>LANDSCAPE</b> DATA='1B266C314F'X

## Step 2: Retrieving the Workstation Customizing Object Source

To create the workstation customizing source, you use the Retrieve Work Station Customizing Object Source (RTVWSCST) command and specify the following:

Device type	DEVTYPE(3477)
Keyboard language type	KBDTYPE(USI) (This value must match the keyboard language type you specified in the device description for the display; otherwise, the display will not vary on.)
Source member	SRCMBR(CST3477P)
Keyboard attached	KBD(*TYPE122)
Source file	SRCFILE(CSTSRC)
Library	LIB(CSTLIB)
Text	TEXT('Workstation customizing source for 3477 with attached ASCII Printer')

### Step 3: Changing the Source

After you retrieve the source, use the source entry utility (SEU) to change the printer characteristics and add the special character support. The command looks like the following:

```
STRSEU SRCFILE(CSTLIB/CSTSRC) SRCMBR(CST3477P)
```

This step and the next two steps are performed several times. Each time a few more changes are made to the workstation customizing source, which is then compiled and the device and controller are varied off and on. Print the test document each time you vary on the printer to see if the changes are effective.

If you delete a printer function tag from your customizing source, the value for that tag is read from the default ASCII printer definition table stored in the emulator. If you perform a hexadecimal trace, you may see escape sequences for tags that are read from the default table, in addition to the tags read from the customizing source. Therefore, to remove support for printer functions, you must specify the tags for those functions in your customizing source. You then assign a hexadecimal value of null ("X") to the tags to remove support for those functions.

The following listing shows part of the source that you changed to customize the printer. For an example of the original retrieved source, see Appendix B. Source Code Examples.

```
      .  
      .  
      .  
:PDFNTBL.  
      .  
      .  
:VARLSPC  
  VAROFFSET= 11  
  VARLEN= 1  
  VARTYPE=LOWHIGH  
  VARMAX= 255  
  ADJUST= 0  
  CNVNUM= 10  
  CNVDEN= 1  
  DATA ='1B5B5C0400900090001B41101B32'X.  
:PAGLENI  
  VAROFFSET= 3  
  VARLEN= 1  
  VARTYPE=LOWHIGH  
  VARMAX= 255  
  ADJUST= 0  
  CNVNUM= 1440  
  CNVDEN= 1  
  DATA ='1B43000B'X.  
:PAGLENL  
  VAROFFSET= 2  
  VARLEN= 1  
  VARTYPE=LOWHIGH  
  VARMAX= 255  
  ADJUST= 0  
  DATA ='1B4342'X.  
:FWDRCMOV  
  VAROFFSET= 2  
  VARLEN= 2  
  VARTYPE=LOWHIGH  
  VARMAX=32767  
  ADJUST= 0  
  CNVNUM= 12
```

```

        CNVDEN=    1
        DATA ='1B640F00'X.
:BCKRMOV
        VAROFFSET=  2
        VARLEN=    2
        VARTYPE=LOWHIGH
        VARMAX=32767
        ADJUST=  0
        CNVNUM=   12
        CNVDEN=    1
        DATA ='1B650F00'X.
:STRBOLD
        DATA ='1B45'X.
:ENDBOLD
        DATA ='1B46'X.
:PRTFEED
        FEEDTYPE=MANUAL
        DATA ='1B5B460300010100'X.
:DWRSLT
        DRAWER=DRAWER1
        DATA ='1B5B460300030101'X.
:DWRSLT
        DRAWER=DRAWER2
        DATA ='1B5B460300030102'X.
:DWRSLT
        DRAWER=ENVELOPE
        DATA ='1B5B460300030200'X.
:PRTORIENT
        ORIENT=PORTRAIT
        DATA ='1B266C304F'X.
:PRTORIENT
        ORIENT=LANDSCAPE
        DATA ='1B266C314F'X.
:STRUS
        DATA ='1B2D01'X.
:ENDUS
        DATA ='1B2D00'X.
:STRSUPS
        DATA ='1B5300'X.
:ENDSUPS
        DATA ='1B54'X.
:STRSUBS
        DATA ='1B5301'X.
:ENDSUBS
        DATA ='1B54'X.
:INITPRT
        DATA ='1B5B4B03000031011B5B5C0200
                90001B5B54050000000035200'X.
        .
        .
        .

```

## Step 4: Creating the Workstation Customizing Object

After you change and save the source, create the workstation customizing object using the Create Work Station Customizing Object (CRTWSCST) command, specify the following parameter values:

Workstation customizing object	WSCST(CST3477P)
Library	LIB(CSTLIB)
Source member	SRCMBR(CSTSRC)
Source file	SRCFILE(CSTSRC)

Library	LIB(CSTLIB)
Text	TEXT('Workstation customizing object for 3477 with ASCII printer')

**Note:** This step is performed several times.

## Step 5: Varying On the Device

Finally, you change the device description for the 3477 Model H display and specify your customizing object CST3477P for the workstation customizing object (WSCST) parameter.

To activate the workstation customizing function, vary off and then vary on the display so that the customizing object is downloaded to the workstation controller and then to the display. Then print the test document on the Hewlett-Packard printer. As shown in Figure 46 on page 235, the document is printed showing the characteristics you customized for, as well as the removal of the strange characters that were appearing at the top of each printed page.

**Note:** This step is performed several times.

Example Showing Printer Functions Before and After Customization

**This is a test for bold printing.**

This is a test for underscored printing.

This is a test for centering.

The following two lines will be separated by a 6-lines-per-inch spacing. The following two lines will be separated by a 6-lines-per-inch spacing.

The following two lines will be separated by an 8-lines-per-inch spacing. The following two lines will be separated by an 8-lines-per-inch spacing.

This is a test for print orientation in portrait.

This is a test for print orientation in landscape. (Rotate 90°)

RV2H485-1

Figure 46. Final OfficeVision/400 Printer Test Document





---

## Chapter 12. Customizing ASCII Printers That Use the Emulator on the Controller

This chapter describes the mapping tables and the tags you use to customize the support for an ASCII printer directly attached to the AS/400 system by way of the ASCII workstation controller. This ASCII printer does not use the host print transform function.

The workstation customizing functions for directly attached ASCII printers provide you with the following capabilities:

- Allow you to customize the functional characteristics of a supported ASCII printer
- Allow you to customize the functional characteristics and specify all the necessary parameters required to support a normally unsupported ASCII printer.

To perform these customizations, the OS/400 licensed program provides a way to change one or more of the various mapping tables used by the ASCII workstation controller to support an ASCII printer.

---

### Supported ASCII Printers

Many IBM ASCII printers are supported by the workstation customizing functions. If the printer and the ASCII workstation controller support a character or function, you can add to or change the printing characteristics of these printers. All you need to do is retrieve the workstation customizing source for your ASCII printer type and then add the printer function tag and the corresponding hexadecimal value (or change the existing hexadecimal value).

The workstation customizing procedure for directly attached ASCII printers may involve some trial and error. You may need to add or change more than one tag to add or change the printer functions. If you have a lot of additions or changes to make, you may want to do this by making one or two changes to the source at a time, creating the customizing object, and then testing your changes. Doing this can help you avoid compiling errors and unpredictable results from the printer.

If you are customizing a supported ASCII printer, you can skip the next section and go on to the technical overview about the ASCII printer mapping tables. The remaining sections in this chapter provide more detailed technical information about the printer mapping tables and the tags you can use to customize your printer.

---

### Customizing Unsupported ASCII Printers

When you want to customize an ASCII printer that is not currently supported by IBM, you need to retrieve a source file member based on a supported IBM device type and language type. If your ASCII printer is not an IBM printer and it provides a function for emulating an IBM printer, use this setting. Be sure to specify the emulated printer in the device description for the printer.

To find out which IBM device type is most like your unsupported printer, you need to answer the following questions:

- What printer functions or characteristics and national characters do I want this printer to support?

Write these down so that you can answer the next question.

- Does the printer itself support the functions I need?  
Check the reference manual to determine this. If the printer cannot support the functions you need, you cannot customize the printer to provide these functions.
- Does the printer emulate or support the emulation of an IBM printer?  
If so, set it up to use the emulation because it could make your customizing process easier.
- Is it a laser printer or a line/listing printer?  
Laser printers are more complex and can be somewhat more difficult to customize. The customization may require more time than you expect.
- Which supported ASCII printer has similar print characteristics to my unsupported ASCII printer?  
To find out more about the characteristics of the printers supported by IBM and the AS/400 system, you can do one or more of the following:
  - Check the reference manuals for the supported printers. These may be available through your technical support specialist or marketing representative. You may already be using one or more of the supported printers and have a manual on hand, or you could contact the manufacturer of the supported printer and ask for a list of the print characteristics or the manual for the supported printer.
  - The print characteristics for many of the ASCII printers supported by the AS/400 system are listed in the *Printer Device Programming* book.

When you know or have an idea which supported printer your printer is most like, you can use the device type for the supported printer to retrieve a workstation customizing source file member to be the basis of your workstation customizing object.

After you have answered the previous questions, you also need to do the following:

- Set up all the necessary hardware to connect the printer to the ASCII workstation controller  
This is usually a serial connection.
- Set up any programmable features provided by the printer  
This is the time to set up IBM emulation (if supported), as well as any switches and other parameters that affect the printer.
- Create the necessary controller and device descriptions if needed  
The controller description is for the ASCII workstation controller and may already exist. The device description is for the ASCII printer.

After you have set up and turned on the printer, try to print a test document using one of your usual applications, such as OfficeVision/400. This is the starting point for workstation customizing.

The workstation customizing procedure for directly attached ASCII printers that are not currently supported can involve a lot of trial-and-error. For an unsupported printer, you usually have a lot of additions or changes to make. To avoid compiling errors, you should do this by making one or two changes to the source at a time and then creating the workstation customizing object. Test the object (vary off the printer, specify the workstation customizing object in the device description, vary the printer back on, and print a test document) to see if the results are what you expected. If so, then make the next changes; otherwise, go back to your source and the printer reference manual to determine the cause of any problems with these changes before going further with the workstation customizing procedure.

The remaining sections in this chapter provide more detailed technical information about the printer mapping tables and the tags you can use to customize your printer.

---

## Mapping Tables for ASCII Printers

The ASCII workstation controller uses three tables to map commands and data to an ASCII format for a given printer. These tables are:

- Default Printer EBCDIC-to-ASCII Mapping Table
- Printer Function Table
- Printer Multilanguage EBCDIC-to-ASCII Mapping Table

### Default EBCDIC-to-ASCII Mapping Table

The default EBCDIC-to-ASCII mapping table converts an EBCDIC character specified in an application data stream into a single ASCII character code value (for that same character).

The EBCDIC-to-ASCII mapping table used for a given printer depends on the device type and the language configured for the printer. Different types of printers support different ASCII code pages. Also, certain ASCII printers are capable of supporting different national-language-dependent ASCII code pages (the code page in use at any time is determined by a command to select the ASCII code page). The following list shows the values and value ranges you can enter in the EBCDIC-to-ASCII mapping table.

**00** Nonprintable character

**01–1E** Converts the ASCII code to a multiple-byte code

**20–FF** Character data

**Note:** See “ASCII Control Code Mapping (ASCICTL) Tag” on page 254 for more information about using the values in the range 01-1E for converting the ASCII code to a multiple-byte code. The AS/400 system provides a separate EBCDIC-to-ASCII mapping table for each unique combination of EBCDIC code page and ASCII character set based on the device type and the language configured for the device. The following example shows the source retrieved for the default EBCDIC-to-ASCII mapping table for an IBM 4219 printer that is configured with a language type of USI.

```

      .
      .
      .
:PDFTMAPTBL.
:PDFTEBCTBL
  DATA =
/* -0-1-2-3-4-5-6-7-8-9-A-B-C-D-E-F */
'2020838485A0C68687A45B2E3C282B21'X /* 4- */
'268288898AA18C8B8DE15D242A293B5E'X /* 5- */
'2D2FB68EB7B5C78F80A5DD2C255F3E3F'X /* 6- */
'9B90D2D3D4D6D7D8DE603A2340273D22'X /* 7- */
'9D616263646566676869AEAFD0ECE7F1'X /* 8- */
'F86A6B6C6D6E6F707172A6A791F792CF'X /* 9- */
'E67E737475767778797ADA8D1EDE8A9'X /* A- */
'BD9CBE169FF5F4ACABF3AA7CEEF9EFF2'X /* B- */
'7B4142434445464748492D939495A2E4'X /* C- */
'7D4A4B4C4D4E4F505152FB968197A398'X /* D- */
'5C20535455565758595AFDE299E3E0E5'X /* E- */
'30313233343536373839FCEA9AEBE900'X. /* F- */
:PFNTWTH
  DATA =
/* -0-1-2-3-4-5-6-7-8-9-A-B-C-D-E-F */
'0A0A0A0A0A0A0A0A0A0C0A0A0A0A0A'X /* 4- */
'0C0A0A0A0A060606060C0A0A0A0A0A'X /* 5- */
'0A0A0E0E0E0E0E0E0E0E0A0A0A0A0A'X /* 6- */
'0A0C0C0C0C080808080A0A0A060A0A'X /* 7- */
'0E0A0C0A0C0A080C0C060E0E0C0C0A'X /* 8- */
'0A060C060E0C0A0C0C0A0A0A0E0A0A'X /* 9- */
'0C0A0A080C0C0E0C0C0A0A0A0E0E0A'X /* A- */
'0A0A0A0A0A0A0A0A0A0A0A0A0A0A0A'X /* B- */
'0A0E0E0E0E0C0C0E0E080A0A0A0A0A'X /* C- */
'0A0A0E0C0E0E0E0C0E0E060C0C0C0C'X /* D- */
'0A0A0C0E0E0E0E0E0E0C0A0E0E0E0E'X /* E- */
'0A0A0A0A0A0A0A0A0A0A0A0E0E0E0A'X. /* F- */
:EPDFTMAPTBL.
      .
      .
      .

```

Figure 47. Source for the Default EBCDIC-to-ASCII Mapping Table

This table cannot be used to map EBCDIC characters into ASCII data when an application data stream being sent to the printer contains a command indicating that a different EBCDIC code page should be used for character conversion. When this occurs, the ASCII workstation controller uses the EBCDIC-to-ASCII mapping data contained in the multilanguage EBCDIC-to-ASCII mapping table. The controller goes back to using the default EBCDIC-to-ASCII mapping table if a command is received to set the printer to initial conditions or when the printer is varied off and then varied back on.

The PFNTWTH (font width) portion of the table contains the font width information for each EBCDIC character being mapped into ASCII code. Font widths are normally specified in 1/120-inch units. The only exception to this occurs when you specify the PRTCTL (print control flag) tag with the value, '80'X. When you do this, the font widths should be specified in 1/1440-inch units.

The ASCII workstation controller uses the font width data to calculate the character width when proportional spacing mode is used. For example, the value 20 in the EBCDIC-to-ASCII mapping table in Figure 47 is mapped to a font width of '0A'X. The ASCII character for the value 20 is the space character (blank). This mapping indicates that when the printer is printing in proportional space mode, the space character (blank) is (10 x 1/120) = 1/12 inch wide.

## ASCII Printer Function Table

The following are among the printer characteristics and capabilities that you can specify within a printer function table:

- Line spacing
- Pitch (characters per inch)
- Form length
- Highlighting characteristics (bold, underscore)
- Draft, letter, or text quality printing
- Paper feed capabilities
- Subscripting and superscripting
- Initialization and reset sequences
- Selecting character sets
- Selecting fonts
- Relative forward and backward movement
- Margins
- Font quality
- Type styles

More information about the content and format of the ASCII printer function table is available in "Printer Function Tags" on page 250.

## Printer Multilanguage EBCDIC-to-ASCII Mapping Table

The multilanguage EBCDIC-to-ASCII mapping table contains EBCDIC-to-ASCII mapping information for all the EBCDIC code pages that an application sending data to an ASCII printer can select. The ASCII workstation controller uses information in this table (rather than information in the default EBCDIC-to-ASCII table) when the data stream sent to the printer contains a command to use a different code page.

As shown in the following figure, the multilanguage EBCDIC-to-ASCII mapping table is actually a series of EBCDIC-to-ASCII mapping tables, each one in the series having the same format as a default EBCDIC-to-ASCII mapping table (consisting of character mapping and font width data).

```
.
.
.
:PMLGMAPTBL.

:PMLGEBCTBL
EBCDICCP= 29
ASCIICP= 850
DATA =
/* -0-1-2-3-4-5-6-7-8-9-A-B-C-D-E-F */
'2020838485A0C68687A4E82E3C282B21'X /* 4- */
'268288898AA18C8B8DE192242A293B99'X /* 5- */
'2D2FB68EB7B5C78F80A5DD2C255F3E3F'X /* 6- */
'9B90D2D3D4D6D7D8DED03A23D1273D22'X /* 7- */
'9D616263646566676869AEAF60EC7BF1'X /* 8- */
'F86A6B6C6D6E6F707172A6A77DF75DCF'X /* 9- */
'E694737475767778797AADA840ED5BA9'X /* A- */
'BD9CBEFAB8F5F4ACABF3AA7CEEF95C9E'X /* B- */
'E7414243444546474849F0937E95A2E4'X /* C- */
'914A4B4C4D4E4F505152FB968197A398'X /* D- */
```

```

'EFF6535455565758595AFDE25EE3E0E5'X      /* E- */
'30313233343536373839FCEA9AEBE900'X.        /* F- */
:PFNTWTH
DATA =
/* -0-1-2-3-4-5-6-7-8-9-A-B-C-D-E-F */
'0A0A0A0A0A0A0A0A0A0C0E0A0A0A0A0A'X      /* 4- */
'0C0A0A0A0A0A0606060C0E0A0A0A0A0E'X      /* 5- */
'0A0A0E0E0E0E0E0E0E0E0A0A0A0A0A'X      /* 6- */
'0A0C0C0C0C080808080C0A0A0E060A0A'X      /* 7- */
'0E0A0C0A0C0A080C0C060E0E0A0C0A0A'X      /* 8- */
'0A060C060E0C0A0C0C0A0A0A0A0A0A'X      /* 9- */
'0C0A0A080C0C0E0C0C0A0A0A0A0E0A0A'X      /* A- */
'0A0A0A0A0A0A0A0A0A0A0A0A0A0A0A'X      /* B- */
'0C0E0E0E0E0C0C0E0E080A0A0A0A0A'X      /* C- */
'0E0A0E0C0E0E0E0C0E0E060C0C0C0C'X      /* D- */
'0A0A0C0E0E0E0E0E0E0C0A0E0A0E0E'X      /* E- */
'0A0A0A0A0A0A0A0A0A0A0A0E0E0A'X.        /* F- */

```

```

:PMLGEBCTBL
EBCDICCP= 30
ASCII CP= 853
DATA =
/* -0-1-2-3-4-5-6-7-8-9-A-B-C-D-E-F */
'2020838485A000917BA4802E3C282B21'X      /* 4- */
'268288898AA18C8B8DE1A6982A293B5E'X      /* 5- */
'2D2FB686B7B500925BA5AD2C255F3E3F'X      /* 6- */
'0090D2D3D4D6D7D8DED53A99B8273D9A'X      /* 7- */
'F4616263646566676869E886C7ED007C'X      /* 8- */
'F86A6B6C6D6E6F707172A99B9FF700CF'X      /* 9- */
'E694737475767778797AE78FC6EC0040'X      /* A- */
'FA9CBE7DBD155D00AB24A89DACF9EF9E'X      /* B- */
'87414243444546474849F0937E95A2E5'X      /* C- */
'A74A4B4C4D4E4F50515260965C81A300'X      /* D- */
'81F6535455565758595AFDE223E3E0E4'X      /* E- */
'30313233343536373839FCEA22EBE900'X.      /* F- */

```

```

:PFNTWTH
DATA =
/* -0-1-2-3-4-5-6-7-8-9-A-B-C-D-E-F */
'0A0A0A0A0A0A0A0A0A0C0E0A0A0A0A0A'X      /* 4- */
'0C0A0A0A0A0A0606060C0E080A0A0A0A'X      /* 5- */
'0A0A0E0E0E0E0E0E0E0E0A0A0A0A0A'X      /* 6- */
'0A0C0C0C0C08080808060A0E0C060A0E'X      /* 7- */
'0A0A0C0A0C0A080C0C060C0A0A0C0C0A'X      /* 8- */
'0A060C060E0C0A0C0C0A0C0C060A0E0A'X      /* 9- */
'0C0A0A080C0C0E0C0C0A0E0E0C0E0E0A'X      /* A- */
'0A0A0A0A0C0A0A0A0A0E0E0C0E0A0A'X      /* B- */
'0A0E0E0E0E0C0C0E0E080A0A0A0A0C'X      /* C- */
'0C0A0E0C0E0E0E0C0E0E0A0C0A0C0C'X      /* D- */
'0C0A0C0E0E0E0E0E0E0C0A0E0A0E0E'X      /* E- */
'0A0A0A0A0A0A0A0A0A0A0A0E0A0E0A'X.      /* F- */
.
.
.

```

Figure 48. Source for the Multilanguage EBCDIC-to-ASCII Mapping Table

Besides containing EBCDIC-to-ASCII mapping and character font width information, the multilanguage table also contains the following:

- ASCII character set ID values that are sent to an ASCII printer when a new ASCII code page is selected (a different ASCII code page may need to be activated in the printer when the application switches to a different EBCDIC code page).
- A table indicating which EBCDIC code pages are valid when selected by the application.

There are separate multilanguage EBCDIC-to-ASCII mapping tables for printers attached to the ASCII workstation controller. Which multilanguage EBCDIC-to-ASCII mapping table the ASCII workstation controller uses for a given printer depends on which multinational ASCII character set is supported by that printer. The following are the main multinational character sets for printers that attach to the ASCII workstation controller:

- Character Set 437 (Personal Computer Character Set 2), used on IBM 4201-2, 4202-1, 4202-2, 4207-1, and 4208-1 printers.
- Character Set 256 (International Number 1 Character Set), used on IBM 4224 printers.
- Character Set 850 (Personal Computer Multinational Character Set), used on IBM 5204, 4201-3, 4202-3, 4207-2, 4208-2, 4216-10, 4234-13, 4019, and 6252-A58 printers.

---

## Determining Which ASCII Printer Tables to Use

The three ASCII printer tables described in “Mapping Tables for ASCII Printers” on page 239 are downloaded to the ASCII workstation controller when a printer is varied on. The particular tables that are downloaded when a device is varied on depend on the type of printer and the language configured for the printer. The system determines which set of tables to download for a given printer by searching a table of tables. This table contains the names of each of the tables that must be used for a given type of printer configured for a particular language.

When you use the Retrieve Work Station Customizing Object Source (RTVWSCST) command to create your workstation customizing source, you must specify an ASCII printer for the device type. You must also specify the same language type as you did when you created the device description. This provides the correct mapping tables to use as a base and the correct printer functions for your specific ASCII printer.

If you are adding support for a device that is not supported by IBM, specify a device type that is similar to your unsupported device. For example, if you are trying to customize an unsupported ASCII laser printer, you might choose a device type of 4019 on the RTVWSCST command. The 4019 is a supported ASCII laser printer with some similar functional characteristics to non-IBM laser printers.

Use the following list as a guideline to help you determine which tables in your workstation customizing source you want to customize.

- Characters do not appear or are not the characters that are expected.  
To change the characters that are supported for the printer's default code page and character set, you need to change one or more entries in your default EBCDIC-to-ASCII mapping table, which is denoted in your workstation customizing source by the PDFTEBCTBL (EBCDIC-to-ASCII mapping table) tag.
- Adding or changing the print characteristics.



If you want to add or change the printing characteristics of your ASCII printer, such as the margins, line and page spacing, paper drawer selection, paper feed, paper orientation, and so on, you need to add to or change the existing printer function tags in your source. The printer function table in a retrieved workstation customizing source begins with the PFCNTBL (ASCII printer function table) tag. This tag is followed by a number of individual printer function tags with their parameters and data values that, when compiled, make up the actual printer function table. See “Printer Function Tags” on page 250 for more information about the individual printer function tags.

- The data stream from your application contains commands that tell the printer to use a different code page.

If you know that your application is capable of producing documents that contain commands to use a different code page, you need to change the entries in one or more of the multilanguage EBCDIC-to-ASCII mapping tables that are denoted by the PMLGMAPTBL (multilanguage EBCDIC-to-ASCII mapping table) tag in your source. This tag is followed by the PMLGEBCTBL (EBCDIC-to-ASCII mapping table) tag and the corresponding PFNTWTH (font width mapping table) tag and its entries. There must be at least 30 of these matched pairs of mapping tables in a single workstation customizing source, each containing the EBCDIC-to-ASCII mapping and its corresponding font width mapping for a different code page. See “Multilanguage EBCDIC-to-ASCII Mapping Table (PMLGMAPTBL) Tag” on page 247 for more information about these mapping table pairs.

Using the reference manual for the printer and the tags in your retrieved source, you can now change the existing printer mapping tables and add any new, supported print functions you need.

After you have made your changes to the source, you should create the customizing object from the retrieved source using the Create Work Station Customizing Object (CRTWSCST) command. Use the Work with Configuration Status (WRKCFGSTS) command to vary the printer off and then on again. Now, try printing your test document again.

---

## Working with the Tag Language for Directly Attached ASCII Printers

When you specify an ASCII printer for the device type on the Retrieve Work Station Customizing Object Source (RTVWSCST) command, the device class is specified in the source as an ASCII printer (DEVCLASS = ASCIIPT). The source structure for this device class looks like the following:



```

:WSCST DEVCLASS=ASCIIPRT.
:PDFTMAPTBL. /*default EBCDIC-to-ASCII mapping table*/

:PDFTEBCTBL with parameters. /*mapping table entries*/
:PFNTWTH with parameters. /*font width map table entries*/

:EPDFTMAPTBL.
:PMLGMAPTBL. /*multilanguage EBCDIC-to-ASCII mapping table*/
:PMLGEBCTBL with parameters. (mapping table entries)
:PFNTWTH with parameters. /*font width map table entries*/

      .
      .
      ( PMLGEBCTBL/PFNTWTH pairs)
      .
      .

:PMLGEBCTBL with parameters. /*mapping table entries*/
:PFNTWTH with parameters. /*font width map table entries*/

:EPMLGMAPTBL.
:PFCNTBL. /*printer function table*/
      .
      .
      printer function tag /*tag with parameters*/
      .
      .
      .
:EWSCST.

```

Figure 49. Source Structure for ASCII Printers

The source structure provides the basic outline of a source file member retrieved for an ASCII printer.

The primary tags for the ASCII printer source structure are the following:

PDFTMAPTBL	Default EBCDIC-to-ASCII mapping table tag
PMLGMAPTBL	Multilanguage EBCDIC-to-ASCII mapping table tag
PFCNTBL	ASCII printer function table tag

The order and placement of the primary tags in each source file member is strictly enforced by the workstation customizing object compiler. When a primary tag is missing in the source, the system default table associated with the missing primary tag may be used in place of a customized table. The default table chosen is based on the device type and national language type you specified when you used the RTVWSCST command. When you make changes to your workstation customizing source, you should leave the tags in the order they were in when you retrieved the source. This helps to avoid possible errors and unpredictable results when you create and use the workstation customizing object.

Following the PMLGMAPTBL tag, the number of PMLGEBCTBL (EBCDIC-to-ASCII mapping table) and PFNTWTH (font width mapping table) tag pairs determines the size of the customized multilanguage mapping table. Each tag pair represents one code page to character set mapping table. For a complete description of the PMLGEBCTBL tag, see “EBCDIC-to-ASCII Mapping Table (PMLGEBCTBL) Tag” on page 248 .

When a PFCNTBL (ASCII printer function table) tag is present in the source, but has no printer function tags following it, the system default printer function table is not used. Instead, no printer functions are mapped when this customizing object is used by the workstation controller. This can cause your printer to produce unpredictable results.

---

## Using the Tags to Customize ASCII Printers

The following sections describe the tags in the source you retrieved for customizing an ASCII printer. If you have not already retrieved the workstation customizing source for customizing an ASCII printer, be sure to specify a [supported ASCII printer](#) for the device type when you use the Retrieve Work Station Customizing Object Source (RTVWSCST) command.

### Default EBCDIC-to-ASCII Mapping Table (PDFTMAPTBL) Tag

The PDFTMAPTBL (default EBCDIC-to-ASCII mapping table) tag defines a default EBCDIC-to-ASCII mapping table for an ASCII printer. The syntax for this tag is:

```
:PDFTMAPTBL.
```

There are no keyword parameters associated with this tag. However, it must be immediately followed by an PDFTEBCTBL (EBCDIC-to-ASCII mapping table) tag and a PFNTWTH (font width mapping table) tag. This pair of tags indicates that the contents of the tables are to be used for customizing the ASCII printer. An example showing these tags and source for these tables is shown in Figure 47 on page 240.

### End Default EBCDIC-to-ASCII Mapping Table (EPDFTMAPTBL) Tag

The EPDFTMAPTBL (end default EBCDIC-to-ASCII mapping table) tag ends the default EBCDIC-to-ASCII mapping table. This tag follows the PDFTMAPTBL, PDFTEBCTBL, and PFNTWTH tags. The syntax for this tag is:

```
:EPDFTMAPTBL.
```

### EBCDIC-to-ASCII Mapping Table (PDFTEBCTBL) Tag

The PDFTEBCTBL (EBCDIC-to-ASCII mapping table) tag defines the mapping table entries for the default EBCDIC-to-ASCII mapping table for an ASCII printer. The PDFTEBCTBL tag must always follow a PDFTMAPTBL tag and it must always be paired with an accompanying PFNTWTH (font width mapping table) tag. The syntax for this tag is:

```
:PDFTEBCTBL  
DATA = table data.
```

#### **DATA**

A required parameter. Specifies the hexadecimal EBCDIC-to-ASCII mapping

table data that is used to map EBCDIC codes from the AS/400 system to the ASCII code needed by the ASCII printer. The table data must be hexadecimal, and exactly 192 bytes in length.

*table data*

Hexadecimal values for mapping EBCDIC codes to ASCII codes for the ASCII printer.

## Font Width Mapping Table (PFNTWTH) Tag

The PFNTWTH (font width mapping table) tag defines the font width mapping table for an ASCII printer. The font width mapping table tag must follow either a PDFTMAPTBL tag or a PMLGMAPTBL tag. Also, it must always be paired with an accompanying PDFTEBCTBL or PMLGEBCTBL tag. The syntax for this tag is:

```
:PFNTWTH  
    DATA = table data.
```

### DATA

A required parameter. Specifies the hexadecimal font width mapping codes. The table data must be hexadecimal, and exactly 192 bytes in length.

*table data*

Hexadecimal values for mapping the necessary font widths for the ASCII printer.

The ASCII workstation controller uses the font width data to calculate the character width when proportional spacing mode is used. Font widths are normally specified in 1/120-inch units. The only exception to this occurs when you specify the PRTCTL (print control flag) tag with the value, '80'X. When you do this, the font widths should be specified in 1/1440-inch units.

## ASCII Printer Function Table (PFCNTBL) Tag

The PFCNTBL (ASCII printer function table) tag defines the printer function table to be used for an ASCII printer. The syntax for this tag is:

```
:PFCNTBL.
```

There are no keyword parameters for this tag. However, it must be immediately followed by a number of individual printer function tags, which make up the function table entries. See "Printer Function Tags" on page 250 for more information about the individual printer function tags. The absence of a specific printer function tag following the PFCNTBL tag implies that particular printer function is not mapped. When the same printer function tag occurs multiple times following a PFCNTBL tag, the workstation controller uses the last occurrence of the tag in the source to map the printer function.

## Multilanguage EBCDIC-to-ASCII Mapping Table (PMLGMAPTBL) Tag

The PMLGMAPTBL (multilanguage EBCDIC-to-ASCII mapping table) tag defines the multilanguage EBCDIC-to-ASCII mapping table for customizing an ASCII printer. The syntax for this tag is:

```
:PMLGMAPTBL.
```

There are no keywords associated with this tag. However, it is immediately followed by one or more occurrences of a PMLGEBCTBL (EBCDIC-to-ASCII mapping table) tag and a PFNTWTH (font width mapping table) tag. These pairs of tags specify the

table contents. The maximum number of pairs allowed is 150. The minimum number of pairs required is 30. See “EBCDIC-to-ASCII Mapping Table (PMLGEBCTBL) Tag” for a description of the PMLGEBCTBL tag and more information on the required pairs.

## End Multilanguage EBCDIC-to-ASCII Mapping Table (EPMLGMAPTBL) Tag

The EPMLGMAPTBL (end multilanguage EBCDIC-to-ASCII mapping table) tag ends the multilanguage EBCDIC-to-ASCII mapping table. The syntax for this tag is:  
:EPMLGMAPTBL.

## EBCDIC-to-ASCII Mapping Table (PMLGEBCTBL) Tag

The PMLGEBCTBL (EBCDIC-to-ASCII mapping table) tag defines an EBCDIC-to-ASCII mapping table for an ASCII printer. The PMLGEBCTBL tag must follow a PMLGMAPTBL tag. Also, it must always be paired with an accompanying PFNTWTH tag. The syntax for this tag is:

```
:PMLGEBCTBL  
    EBCDICCP = code page ID  
    ASCIICP = code page ID  
    DATA = table data.
```

### EBCDICCP

A required parameter. Specifies the EBCDIC code page identifier. The value for this parameter is an integer value, from 1 to 32767 without leading zeros.

#### *code page ID*

A 5-digit registered identifier used to specify a particular assignment of code points to graphic characters. The code page ID is the second part of the QCHRID system value or the CHRID parameter value.

### ASCIICP

A required parameter. Specifies the ASCII code page identifier. The value for this parameter is an integer value, from 1 to 32767 without leading zeros.

#### *code page ID*

A 5-digit registered identifier used to specify a particular assignment of code points to graphic characters. The code page ID is the second part of the QCHRID system value or the CHRID parameter value.

**Note:** For unsupported printers, this value is tied to the variable type parameter (VARTYPE) on the CODEPAGVAR (code page variable) tag.

### DATA

A required parameter. Specifies the hexadecimal table data that is used to map EBCDIC codes from the AS/400 system to the ASCII code needed by the ASCII printer. The table data must be hexadecimal, and exactly 192 bytes in length.

#### *table data*

Hexadecimal values for mapping EBCDIC codes to ASCII codes needed by the ASCII printer.

A minimum set of thirty PMLGEBCTBL/PFNTWTH tag pairs is required. This is because the workstation controller uses an offset value to select the code page for a given data stream. One each of the EBCDICCP (code page) values shown in Table 37 on page 249 must be present on the PMLGEBCTBL tags of this minimum set. There is no requirement for the PMLGEBCTBL tags to be in any particular

order, only that the required ones must each exist once, and only once, between the PMLGMAPTBL tag and the EPMLGMAPTBL tag.

**Note:** The code page values supported by the workstation controller differ from those supported for twinaxial-connected displays, as shown in Table 22 on page 63 . It is strongly recommended that you do not delete the original 30 pairs you find in the retrieved source. Unpredictable results may appear on your printed output. You are free to add as many new pairs of PMLGEBCTBL/PFNTWTH tags as you need.

*Table 37. Required Code Page Identifiers*

<b>EBCDICCP Parameter Value for PMLGEBCTBL Tag</b>	<b>EBCDIC Code Page</b>
037	United States
256	International
273	Austria/Germany
274	Belgium
275	Brazil
276	Canadian French
277	Denmark/Norway
278	Finland/Sweden
280	Italy
281	Japan English
282	Portugal
283	Spain
284	Spanish Speaking
285	United Kingdom
290	Japan Katakana
297	France
330	Languages of the former Yugoslavia
340	OCR
420	Arabic
423	Greece
424	Hebrew
500	International
870	ROECE/Latin 2
871	Icelandic
880	ROECE/Cyrillic
892	OCR-A
893	OCR-B
905	Turkey

Table 37. Required Code Page Identifiers (continued)

EBCDICCP Parameter Value for PMLGEBCTBL Tag	EBCDIC Code Page
259	Map to ASCII character set 899 <b>Note:</b> You must have the ASCIIICP set to 899 for the PMLGEBCTBL tag.
259	Map to ASCII character set 850, or ASCII character set 437 <b>Note:</b> You must have set the ASCIIICP set to 850 or 437 for the PMLGEBCTBL tag.

## Printer Function Tags

These tags allow you to specify the ASCII control sequence for an individual printer function. The tags for these functions must follow a PFCNTBL (ASCII printer function table) tag in your source.

Most of the printer function tags fall into one of following general formats.

- Tags with only the data parameter
- Tags that provide additional parameters to describe variables within functions
- Tags for functions that support relative movement combined with the first two tag formats

The remaining printer functions that are described are functions with specialized parameters that do not meet any of the general formats.

### Syntax for Printer Function Tags with the Data Parameter Only

The following table lists the tags that have only a data parameter that you can use to set or change printer characteristics.

Table 38. Printer Function Tags with Data Parameter Only

Tag	Description
BELL	Bell
BSP	Backspace
CARRTN	Carrier Return
ENDBOLD	End Bold Printing
ENDSUBS	End Subscript
ENDSUPS	End Superscript
ENDUS	End Underscore
FNTGPFT	Set Global Font for PFT
FORMFEED	Form Feed
INITPRT	Initialize Printer
INITVON	Initialization at Vary On
LINEFEED	Line Feed

Table 38. Printer Function Tags with Data Parameter Only (continued)

Tag	Description
PRTCTL	Printer Control Flags  Valid values are: <b>'00'X</b> No flags set <b>'01'X</b> Printer response allowed <b>'02'X</b> Page length change in middle of page not allowed <b>'30'X</b> Inhibit computer output reduction (COR) mode <b>'80'X</b> Font widths in 1/1440-inch units
RVSIDX	Reverse Index
SPACE	Space
STRBOLD	Start Bold Printing
STRPROP	Start Proportional Space Mode
STRSUBS	Start Subscript
STRSUPS	Start Superscript
STRUS	Start Underscore

The general syntax for a printer function tag that uses only the data parameter is:

:xxxxx

DATA = ASCII control sequence.

#### DATA

A required parameter. Specifies the ASCII control sequence for the printer function. This data must be coded as a hexadecimal value. The maximum length of this value is 240 bytes.

##### *ASCII control sequence*

Hexadecimal values for mapping the ASCII control sequence for the printer function.

The FNTGPFT (set global font for PFT) tag allows you to set the base font for printing. It is this font that is used for all printed characters until the printer receives a command to change to another font.

The printer control flags (PRTCTL tag) are bit-mapped flags that allow you to control certain print characteristics, such as the font width units for the FNTGPFT (set global font) tag. The hexadecimal values for the PRTCTL tag that are defined in Table 38 on page 250 can all be specified on a single occurrence of the tag. To do this you can use a logical OR operation to combine the values. For example, when you combine the values '01'X. and '02'X. using a logical OR operation, the result is '03'X. Specifying '03'X. for the PRTCTL tag allows you to set both the flag for allowing a printer response and the flag for not allowing a page length change in mid-page.

## Syntax for Printer Function Tags with a Variable

The following table lists the tags that you can use to set or change printer characteristics that involve a variable.

Table 39. Printer Function Tags with a Variable

Tag	Description
CODPAGVAR	Set Code Page
FNTTYPE	Font Type
PRISPCM	Set Primary Spacing Mode
PRISTYLE	Set Primary Style

The general syntax for a printer function tag with a variable is:

```
:xxxxx
    VAROFFSET = variable offset in
                control sequence
    VARLEN = variable length
    VARTYPE = HIGHLOW|LOWHIGH|CHRDEC|
              CHRHEX|CHRAN
    DATA = ASCII control sequence.
```

#### **VAROFFSET**

A required parameter. Defines the offset of the variable in the control sequence. This value must be an integer.

**Note:** This offset is relative to the beginning of the control sequence.

Therefore, a value of zero (0) implies that the variable starts in the first byte of the control sequence.

#### **VARLEN**

A required parameter. Defines the length of the variable. This value must be an integer.

#### **VARTYPE**

A required parameter. Defines the type of variable. The choices are:

HIGHLOW	The byte order of the variable is in high-low order.
LOWHIGH	The byte order of the variable is in low-high order.
CHRDEC	The variable is in characters and there is no byte order consideration. All characters are in the range from 0 to 9.
CHRHEX	The variable is in characters and there is no byte order consideration. All characters are in the range from 0 to 9, A to F.
CHRAN	The variable is in characters and there is no byte order consideration. All characters are in the range from 0 to 9, A to Z.

#### **DATA**

A required parameter. Specifies the ASCII control sequence for the printer function. This must be a hexadecimal value. The maximum length of this value is 240 bytes.

*ASCII control sequence*

Hexadecimal values for mapping the ASCII control sequence for the printer function.

The PRISPCM (primary spacing mode) tag and the PRISTYLE (set primary style) tag, in combination with the PRICHRH (set primary character height) tag are used for font selection when an ASCII printer does not support global fonts or provide font quality and characters per inch (CPI) support.



Setting the primary spacing mode allows you to indicate whether the spacing should be fixed or proportional.

Primary style is related to the font map identifier. When the value of a font mapping table entry is greater than 255, the high order byte of the font map identifier is used to set the print to a particular style within the specified font. For example, when an ASCII printer is set up to print in a Gothic font, the primary style might be italic or upright print within the Gothic font.

## Syntax for Printer Function Tags with Variable and Relative Movement

The following table lists the tags that you can use to set or change printer characteristics that involve a variable and some relative movement.

Table 40. Printer Function Tags with Variable and Relative Movement

Tag	Description
BCKRMOV	Backward Relative Movement
FWDRMOV	Forward Relative Movement
PAGLENI	Set Page Length in Inches
PRICHRH	Set Primary Character Height
VARCPI	Variable Characters Per Inch
VARLSPC	Variable Line Spacing

The general syntax for a printer function tag with a variable is:

```
:xxxxxxxxx
  VAROFFSET = variable offset in
              control sequence
  VARLEN = variable length
  VARTYPE = HIGHLOW|LOWHIGH|CHRDEC|
           CHRHEX|CHRAN
  VARMAX = maximum variable value
  ADJUST = adjustment
  CNVNUM = conversion ratio numerator
  CNVDEN = conversion ratio denominator
  DATA = ASCII control sequence.
```

### VAROFFSET

A required parameter. Defines the offset position of the variable in the control sequence. This value must be an integer.

**Note:** This offset position is relative to the beginning of the control sequence. Therefore, a value of zero (0) implies that the variable starts in the first byte of the control sequence.

### VARLEN

A required parameter. Defines the length of the variable. This value must be an integer.

### VARTYPE

A required parameter. Defines the type of variable used with this category of printer function tags

HIGHLOW	The byte order of the variable is in high-low order.
LOWHIGH	The byte order of the variable is in low-high order

CHRDEC	The variable is in characters and there is no byte order consideration. All characters are in the range from 0 to 9.
CHRHEX	The variable is in characters and there is no byte order consideration. All characters are in the range from 0 to 9, A to F.
CHRAN	The variable is in characters and there is no byte order consideration. All characters are in the range from 0 to 9, A to Z.

#### **VARMAX**

A required parameter. Defines the maximum variable value. This value must be an integer.

#### **ADJUST**

A required parameter. Defines the adjustment value for the variable. This value must be a signed integer.

#### **CNVNUM**

A required parameter. Defines the numerator of the conversion ratio. This value must be an integer.

#### **CNVDEN**

A required parameter. Defines the denominator of the conversion ratio. This value must be a nonzero integer.

#### **DATA**

A required parameter. Specifies the ASCII control sequence for the printer function. This must be a hexadecimal value. The maximum length of this value is 240 bytes.

*ASCII control sequence*

Hexadecimal values for mapping the ASCII control sequence for the printer function.

For variable line spacing (VARLSPC tag), the conversion ratio specified converts line spacing parameter values in the application data stream from units of 1/1440 inch to whatever units are used by the ASCII printer. For example, if the line spacing units used by an ASCII printer in its variable spacing command are in units of 1/72 inch, then the conversion ratio specified in the command header should be 20.

For setting the page length, the ASCII workstation controller only recognizes the first occurrence of the PAGLENI tag. If more than one of these tags is specified, the values in the first occurrence are used and all other occurrences are ignored.

## **ASCII Control Code Mapping (ASCIICTL) Tag**

The ASCIICTL (ASCII control code mapping) tag defines the ASCII control sequence for an ASCII control code. The ASCIICTL tag must follow the PFCNTBL tag in your source. The syntax for this tag is:

```
:ASCIICTL
    ASCII = control code
    DATA = ASCII control sequence.
```

#### **ASCII**

A required parameter. Specifies an ASCII control code. This must be a hexadecimal value from '01'X to '1E'X.

## DATA

A required parameter. Specifies the ASCII control sequence for the ASCII control code you want to map. This must be a hexadecimal value. The maximum length of this value is 240 bytes.

### *ASCII control sequence*

Hexadecimal value for mapping an ASCII control sequence to an ASCII control code.

Specifying the ASCIICTL tag allows you to convert a single-byte character code to a multiple-byte sequence. For example, you could use this code to have the printer print control characters, such as a face and §, that are not normally in its range of printable characters. You could also use this tag to allow the printer to change to a different code page to print a single character and then change back to the original code page.

## Collate Width (COLLATE) Tag

The COLLATE (collate width) tag sets the collate width. Collate width is the printer offset between overstruck characters when a type-over method is used to create bold highlighting for printed data. The printer offset referred to here is the offset between the first and second character when the printer reverses the print direction to print over previously printed characters and there is a slight space between them. The COLLATE tag must follow the PFCNTBL tag in your source. The syntax for this tag is:

```
:COLLATE  
DATA = collate width.
```

## DATA

A required parameter. Defines the collate width. This value must be an integer denoting the number of 1/1440-inch increments.

### *Collate width*

Integer value for defining the collate width to the ASCII printer.

## Set Characters per Inch (CPI) Tag

The CPI (set characters per inch) tag defines the control sequence for setting the number of characters per inch. The CPI tag must follow the PFCNTBL tag in your source. You can specify this tag more than one time in a workstation customizing source when you specify different hexadecimal values for the different spacings. The syntax for this tag is:

```
:CPI  
CPI = 5|855|10|12|133|15|  
171|20|27  
DATA = ASCII control sequence.
```

**Note:** Use the STRPROP tag for proportional space mode.

## CPI

A required parameter. Defines the number of characters per inch. Possible values include:

- 5** 5 characters per inch
- 855** 8.55 characters per inch
- 10** 10 characters per inch
- 12** 12 characters per inch

- 133** 13.3 characters per inch
- 15** 15 characters per inch
- 171** 17.1 characters per inch
- 20** 20 characters per inch
- 27** 27 characters per inch

**DATA**

A required parameter. Specifies the ASCII control sequence for setting the number of characters per inch. This must be a hexadecimal value. The maximum length of this value is 240 bytes.

*ASCII control sequence*

Hexadecimal value for mapping an ASCII control sequence to define the number of characters that are to be printed per inch of paper

## Default Font ID (DFTFNTID) Tag

The DFTFNTID (default font ID) tag defines the ASCII printer function table default font IDs for different fonts. The DFTFNTID tag must follow the PFCNTBL tag in your source. The syntax for this tag is:

```
:DFTFNTID
    CPI = 5|855|10|12|133|15|171|
          20|27|PROP
    DEFAULT = font ID.
```

**CPI**

A required parameter. Defines the font in characters per inch using the values shown in the following list:

- 5** 5 characters per inch
- 855** 8.55 characters per inch
- 10** 10 characters per inch
- 12** 12 characters per inch
- 133** 13.3 characters per inch
- 15** 15 characters per inch
- 171** 17.1 characters per inch
- 20** 20 characters per inch
- 27** 27 characters per inch
- PROP** Proportional spacing

**DEFAULT**

A required parameter. Specifies the default font ID. This font ID must be one that is recognized by the AS/400 system. This value must be an integer.

## Drawer Selection (DWRSLT) Tag

The DWRSLT (drawer selection) tag defines the control sequence for drawer selection. A drawer selection defines the source of paper to be used for printing. The DWRSLT tag must follow the PFCNTBL tag in your source. The syntax for this tag is:

```
:DWRSLT
DRAWER = ENVELOPE|DRAWER1|DRAWER2
DATA = ASCII control sequence.
```

### DRAWER

A required parameter. Defines the drawer from which paper is to be selected.

ENVELOPE	Selects the envelope drawer as the source of paper for documents that are to be printed.
DRAWER1	Selects drawer 1 as the source of paper for documents that are to be printed.
DRAWER2	Selects drawer 2 as the source of paper for documents that are to be printed.

### DATA

A required parameter. Specifies the ASCII control sequence for the drawer selection function. This must be a hexadecimal value. The maximum length of this value is 240 bytes.

#### *ASCII control sequence*

Hexadecimal value for mapping an ASCII control sequence to define the drawer selection for the ASCII printer.

## Font ID Mapping (FNTMAP) Tag

The FNTMAP (font ID mapping) tag defines the ASCII printer function table font ID mappings. The FNTMAP tag must follow the PFCNTBL tag in your source. It must also be followed by one or more FNTMAPE (font mapping table entry) tags containing the font mapping pairs. These pairs are immediately followed by an EFNTMAP (end font ID mapping) tag. The syntax for the FNTMAP tag is:

```
:FNTMAP
CPI = 5|855|10|12|133|15|171|
      20|27|PROP
DEFAULT = default font id.
```

### CPI

A required parameter. Defines the font in characters per inch. Possible values include:

- 5**        5 characters per inch
- 855**     8.55 characters per inch
- 10**      10 characters per inch
- 12**      12 characters per inch
- 133**     13.3 characters per inch
- 15**      15 characters per inch
- 171**     17.1 characters per inch
- 20**      20 characters per inch
- 27**      27 characters per inch
- PROP**    Proportional spacing

### DEFAULT

A required parameter. Defines the default mapped font ID. This value must be an integer. (See the reference manual for your device to find this value.)

## End Font ID Mapping (EFNTMAP) Tag

The EFNTMAP (end font ID mapping) tag ends the ASCII printer function table font ID mappings. The syntax for this tag is:

```
:EFNTMAP.
```

## Font Mapping Table Entry (FNTMAPE) Tag

The FNTMAPE (font mapping table entry) tag defines one pair of font ID mappings, which are placed into the ASCII printer function table font ID mapping table. One or more of these tags follow a FNTMAP (font ID mapping) tag, and a group of these tags must be followed by an EFNTMAP (end font ID mapping) tag. The syntax for this tag is:

```
:FNTMAPE
    IBMFNT = font ID
    ASCIIFNT = type style.
```

### IBMFNT

A required parameter. Specifies an IBM printer font ID. This value must be an integer.

### ASCIIFNT

A required parameter. Specifies an ASCII type style. This value must be an integer.

## Font Quality (FONTQLTY) Tag

The FONTQLTY (font quality) tag defines the control sequence for setting different font qualities. The FONTQLTY tag must follow the PFCNTBL tag in your source. The syntax for this tag is:

```
:FONTQLTY
    FONTCPI = 10|12|15|171|PROP
    QLTYTYPE = DRAFT|LETTER|TEXT
    DATA = ASCII control sequence.
```

### FONTCPI

A required parameter. Defines the type of font in characters per inch.

**10** 10 characters per inch

**12** 12 characters per inch

**15** 15 characters per inch

**171** 17.1 characters per inch

**PROP** Proportional spacing

**Note:** You cannot specify both 15 and 17.1 for the same ASCII printer.

### QLTYTYPE

A required parameter, and Defines the quality of the printing for the ASCII printer.

DRAFT	The print quality is draft quality
LETTER	The print quality is letter quality
TEXT	The print quality is text quality

### DATA

A required parameter. Specifies the ASCII control sequence for the font quality of the ASCII printer. This must be a hexadecimal value. The maximum length of this value is 240 bytes.

#### *ASCII control sequence*

Hexadecimal value for mapping an ASCII control sequence to define the font quality for the ASCII printer.

## Set Margin (MARGIN) Tag

The MARGIN (set margin) tag allows you to set the margin size for different types of paper and paper orientation. The MARGIN tag must follow the PFCNTBL tag in your source. The syntax for this tag is:

```
:MARGIN
    OPTION = TOP|LEFT|RIGHT|BOTTOM
    ORIENT = PORTRAIT|LANDSCAPE
    DATA = margin size.
```

### OPTION

A required parameter. Defines the margin type.

TOP	Set the margin for the top of the page
LEFT	Set the margin for the left side of the page
RIGHT	Set the margin for the right side of the page
BOTTOM	Set the margin for the bottom of the page

### ORIENT

A required parameter. Defines the type of paper orientation.

PORTRAIT	The paper is vertically aligned in the printer
LANDSCAPE	The paper is horizontally aligned in the printer

### DATA

A required parameter. Specifies the size of the margin and denotes the number of 1/1440-inch increments. This value must be an integer.

#### *data*

Integer value for the margin size

## Set Page Length in Lines (PAGLENL) Tag

The PAGLENL (set page length in lines) tag sets the page length in terms of the number of lines per page. The number of lines is carried as a variable in the control sequence for page length. The PAGLENL tag must follow the PFCNTBL tag in your source. The syntax for this tag is:

```
:PAGLENL
    VAROFFSET = variable offset in
                control sequence
    VARLEN = variable length
    VARTYPE = HIGHLOW|LOWHIGH|CHRDEC|
                CHRHEX|CHRAN
    VARMAX = maximum variable value
    ADJUST = adjustment
    DATA = ASCII control sequence.
```

**VAROFFSET**

A required parameter. Defines the offset of the variable in the control sequence. This value must be an integer.

**Note:** This offset is relative to the beginning of the control sequence. Therefore, a value of zero (0) implies that the variable starts in the first byte of the control sequence.

**VARLEN**

A required parameter. Defines the length of the variable. This value must be an integer.

**VARTYPE**

A required parameter. This attribute defines the type of variable. Possible values are:

HIGHLOW	The byte order of the variable is in high-low order.
LOWHIGH	The byte order of the variable is in low-high order.
CHRDEC	The variable is in characters and there is no byte order consideration. All characters are in the range 0 to 9.
CHRHEX	The variable is in characters and there is no byte order consideration. All characters are in the range 0 to 9, A to F.
CHRAN	The variable is in characters and there is no byte order consideration. All characters are in the range 0 to 9, A to Z.

**VARMAX**

A required parameter. Defines the maximum variable value. This value must be an integer.

**ADJUST**

A required parameter. Defines the adjustment value to the variable. This value must be a signed integer.

**DATA**

A required parameter. Specifies the ASCII control sequence for the printer function. This must be a hexadecimal value. The maximum length of this value is 240 bytes.

*ASCII control sequence*

Hexadecimal values for mapping the ASCII control sequence for the printer function.

## Page Size for Printer Function Table (PAGSIZPFT) Tag

The PAGSIZPFT (page size for printer function table (PFT)) tag defines the page size for different types of paper. The PAGSIZPFT tag must follow the PFCNTBL tag in your source. The syntax for this tag is:

```
:PAGSIZPFT
  PAGWTH = page width
  PAGLEN = page length
  PAPER = MANUAL|DRAWER1|DRAWER2|
         ENVELOPE
```

**PAGWTH**

A required parameter. Defines the width of the page in the printer. This value must be an integer denoting the number of 1/1440-inch increments.



### PAGLEN

A required parameter. Defines the length of the page in the printer. This value must be an integer denoting the number of 1/1440-inch increments.

### PAPER

A required parameter. Defines the type of paper to be used by the printer.

MANUAL	Paper is fed to the printer manually (by hand).
DRAWER1	Paper is fed to the printer from the first drawer.
DRAWER2	Paper is fed to the printer from the second drawer.
ENVELOPE	Paper is fed to the printer from the envelope drawer.

## Paper Feed (PRTFEED) Tag

The PRTFEED (paper feed) tag defines the control sequence for feeding different types of paper to the ASCII printer. The PRTFEED tag must follow the PFCNTBL tag in your source. Most printers do not support all the paper feed characteristics that can be specified using the parameters for this tag. If your printer does not support a certain characteristic, you should set the corresponding parameter value to '00'X. (zero).

The syntax for this tag is:

```
:PRTFEED
    FEEDTYPE = EJECT|MANUAL|AUTO
    DATA = ASCII control sequence.
```

### FEEDTYPE

A required parameter. Defines the type of paper feeding.

EJECT	The paper is ejected from the printer
MANUAL	The paper is fed to the printer manually (by hand)
AUTO	The paper is fed to the printer automatically

### DATA

A required parameter. Specifies the ASCII control sequence for the function. This must be a hexadecimal value. The maximum length of this value is 240 bytes.

*ASCII control sequence*

Hexadecimal value for mapping an ASCII control sequence to define the way paper is fed to the printer.

## Paper Orientation (PRTORIENT) Tag

The PRTORIENT (paper orientation) tag defines the control sequence for setting different paper orientations, such as portrait and landscape (rotate 90 degrees). The PRTORIENT tag must follow the PFCNTBL tag in your source. The syntax for this tag is:

```
:PRTORIENT
    ORIENT = PORTRAIT|LANDSCAPE|
            RTT180|RTT270
    DATA = ASCII control sequence.
```

### ORIENT

A required parameter. Defines the orientation of the paper in the printer.

PORTRAIT	The paper is vertically aligned in the printer
LANDSCAPE	The paper is horizontally aligned in the printer
RTT180	The paper is rotated 180 degrees
RTT270	The paper is rotated 270 degrees

**DATA**

A required parameter. Specifies the ASCII control sequence for setting the paper orientation for the printer. This must be a hexadecimal value. The maximum length of this value is 240 bytes.

*ASCII control sequence*

Hexadecimal value for mapping an ASCII control sequence to define the orientation for the paper to be used with printer.

## Print Quality (PRTQLTY) Tag

The PRTQLTY (print quality) tag defines the control sequence for setting the print quality. The PRTQLTY tag must follow the PFCNTBL tag in your source. The syntax for this tag is:

```
:PRTQLTY
    QLTYPYTYPE = DRAFT|LETTER|TEXT
    DATA = ASCII control sequence.
```

**QLTYPYTYPE**

A required parameter. Defines the quality of print.

DRAFT	The print quality is draft quality. This is equivalent to the *DRAFT type used in the OS/400 printer file commands.
LETTER	The print quality is letter quality. This is equivalent to the *NLQ type used in the OS/400 printer file commands.
TEXT	The print quality is text quality. This is equivalent to the *STD type used in the OS/400 printer file commands.

**DATA**

A required parameter. Specifies the ASCII control sequence for the function. This must be a hexadecimal value. The maximum length of this value is 240 bytes.

*ASCII control sequence*

Hexadecimal value for mapping an ASCII control sequence to define the print quality for the ASCII printer.

## Tag Considerations for Customizing a Directly Attached ASCII Printer

In some cases there may be tags in your source that do not affect the printer or may cause unpredictable results when paired with other tags. The following sections describe these known error conditions and provide information to help you determine which tags you should use together.

## Using the Superscript and Subscript Tags

If your ASCII printer supports the superscript and subscript functions, you can use the workstation customizing functions in one of two ways to allow them to work properly.

When your printer is set up to emulate an IBM 3812 printer, you need to define the reverse index (RVSIDX) tag so that your printer receives the correct instructions from the application data stream to move the paper up or down a half line and print. When your printer does not emulate the IBM 3812 printer, you need to use the STRSUPS-ENDSUPS and STRSUBS-ENDSUBS tags in pairs to turn on the superscript and subscript functions. Figure 50 shows these considerations in a flow chart format.

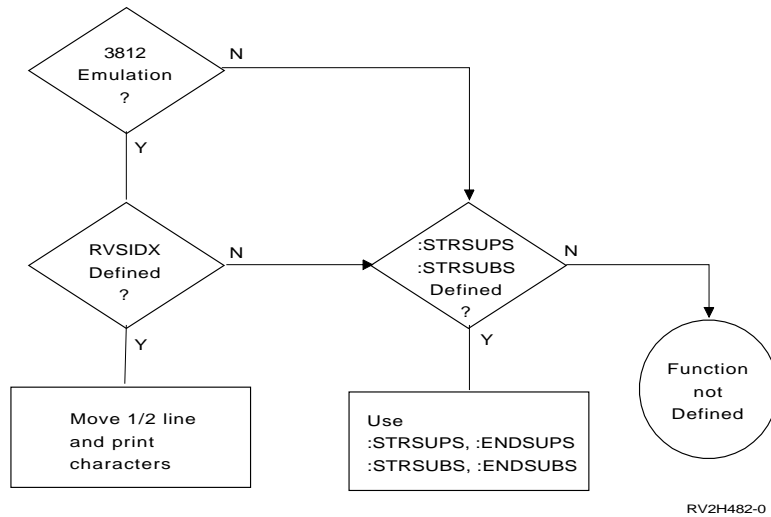


Figure 50. Decision Structure for Selecting the Subscript and Superscript Tags

## Using the Set Page Length Tag

There are two tags provided by the workstation customizing functions for setting the page length for the printer. PAGLENL sets the page length by the number of lines that should be on a single page. PAGLENI sets the page length by number of inches. In general, you need to determine whether the number of lines on a page exceeds 255 and then check the reference manual for the printer to determine which measurement is used. In most cases, if the page length exceeds 255 lines, you should use the PAGLENI tag and its parameters to set your page length. Figure 51 on page 264 shows a flow chart to help you determine which of these two tags to use.

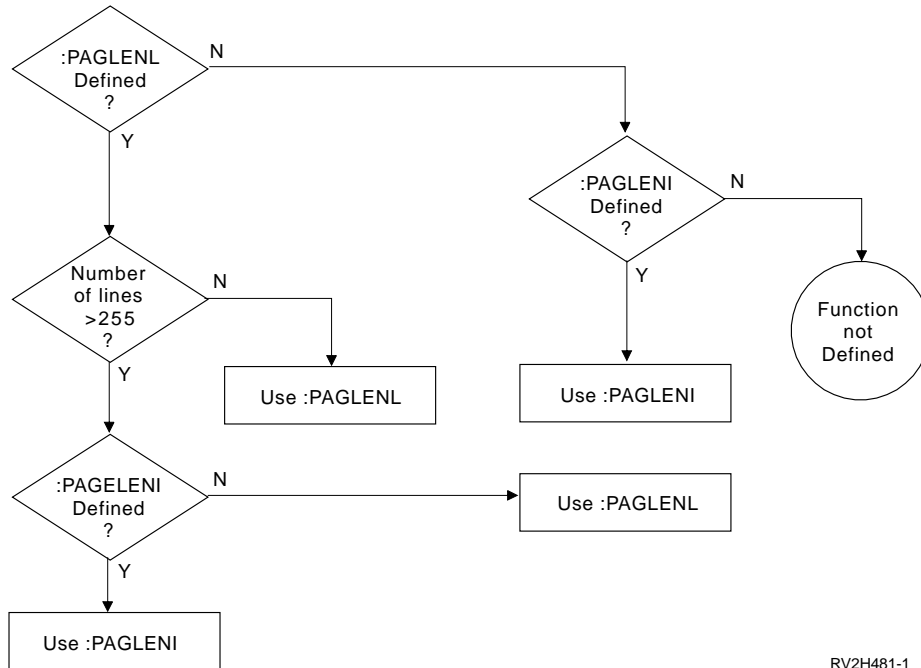


Figure 51. Decision Structure for Selecting the Correct Page Length Tags

## Using the Font Selection Tags

The tags for font selection that are in your workstation customizing source are based on the device type you specified when you retrieved the source. If you are customizing a supported ASCII printer, you should use the font selection tags that are already in your source. You can add to or change the data that is associated with the type of tags that are retrieved; however, you need to be careful that you do not specify tags for font selection that do not work together. If you are customizing an unsupported ASCII printer, you need to check the font selection tags that are used in the workstation customizing source you retrieved and then compare the tags and their values to the font selection information in the reference manual for the printer. Verify that the method the printer uses to select a font is supported by the type of font selection tags that you retrieved in your source.

Figure 52 on page 265 shows a flow chart that provides a hierarchy for choosing the correct font selection tags for your ASCII printer. This chart is most helpful when you are not sure how fonts are selected for an unsupported printer. A list following the flow chart briefly describes the tag hierarchy for font selection.

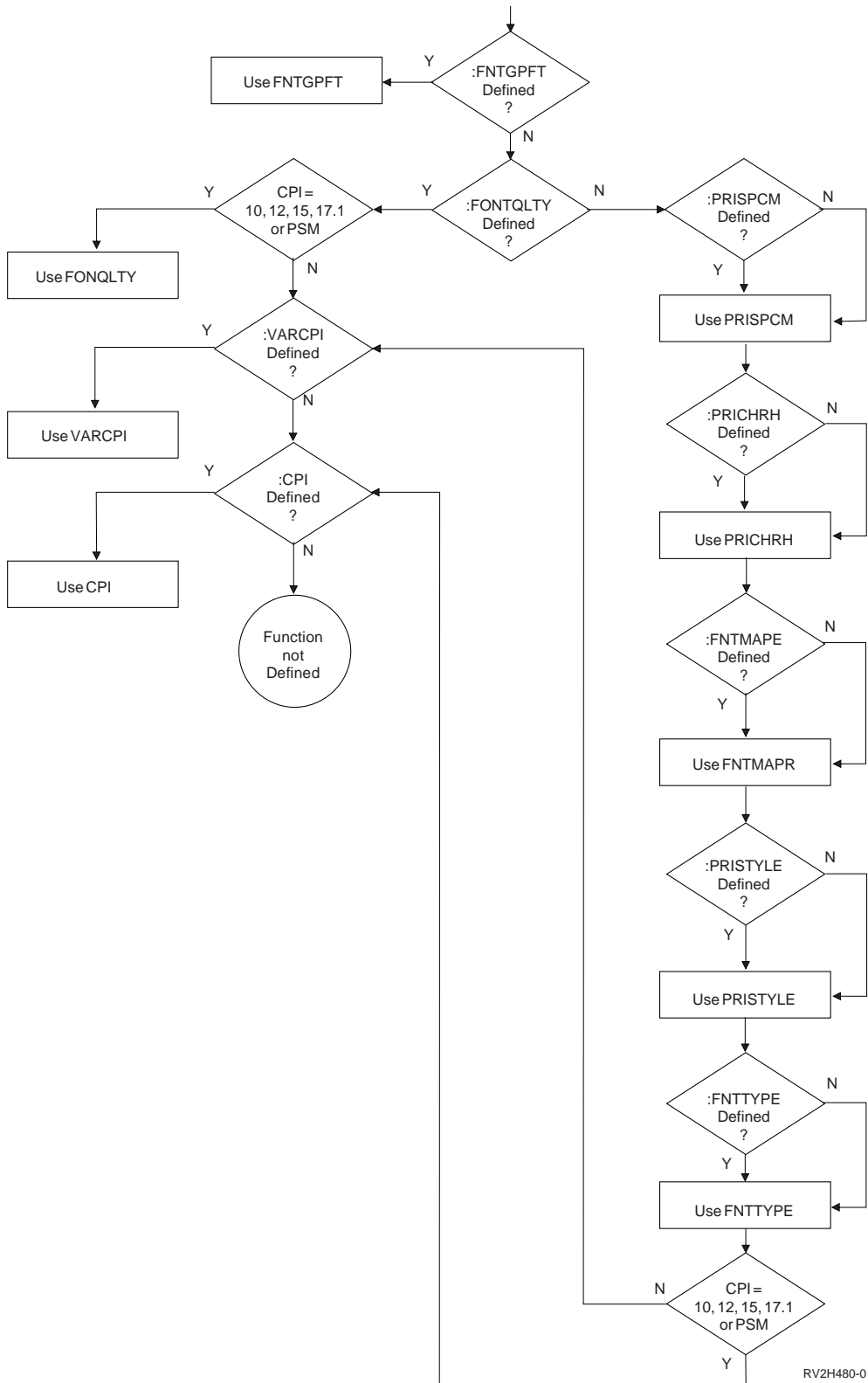


Figure 52. Decision Structure for Selecting the Correct Font Selection Tags

- If your printer supports using the Set Global Font for PFT tag, FNTGPFT, then you need specify no other tags for font selection.

- If you use the PRISTYLE (primary style), PRICHRH (primary character height), PRISPCM (primary spacing mode), and FNTTYPE (font type) tags, you should not use any of the other tags for font selection except for the CPI (characters per inch) tag.
- If your printer supports variable spacing, you should use the FONTQLTY (font quality) tag and the VARCPI (variable characters per inch) tag.

**Note:** If variable characters per inch is not supported, you can use the CPI tag to set the characters per inch that are supported along with the FONTQLTY tag.

- If it is not apparent which method of font selection your printer uses, you should begin by setting the appropriate CPI tags and then try the other combinations of tags with the CPI settings.

---

## Customizing a Hewlett-Packard LaserJet Series III Printer that Uses the Emulator on the Workstation Controller

This example shows the steps for customizing a Hewlett-Packard LaserJet Series III ASCII printer attached to the ASCII workstation controller. The objective for this example is to have the printer work effectively with simple OfficeVision/400 documents. This customization involves a lot of trial and error.

To begin the workstation customizing process you need to read the reference manual for the printer. You then set up the printer using the setup instructions and hints provided in the manual. You should look at the following setup items:

- Character set: PC 850 (Hewlett-Packard calls this a symbol set)
- Physical connection: Serial (parallel or serial)
- DIP switch settings
- Printer panel settings

After the printer is physically connected to the AS/400 system, and the appropriate controller and device descriptions are created, you should go back and set the controller description parameters shown below to the values indicated. These are the recommended settings for this type of printer.

- ROBUST XON(ON)
- DTR POLARITY(HI)

The printer should be powered on and varied on.

Use the following parameter values to create the device description for the Hewlett-Packard LaserJet Series III ASCII printer:

Device type	4019
Device model	*ASCII
Emulated twinaxial device	3812
Physical attachment	*WIRE4
Line speed	19200
Word length	8
Parity	NONE
Stop bits	1

# Step 1: Planning the Customizing

To begin customizing this ASCII printer, you need to see whether or not you can get a document to print. Create a simple one-page document using the OfficeVision/400 editor. Use this document to test the characteristics that you expect from your printer.

When you try to print the test document, special characters are at the top of the page on the initial printout. Some characters do not show at all, or are not the characters you expected to see. Some printer functions do not work, including the following:

- Printer initialization sequences
- Bold printing
- Underlined printing
- Margins
- Landscape printing
- Font selection

In addition, the data stream from your application contains commands that tell the printer to use a different code page. Using this guide, you determine you must change all of the mapping tables to customize this printer.

Some characters are not shown or are not the characters you expected to see. Therefore, you need to change the default EBCDIC-to-ASCII mapping table. Use the reference manual for the printer to find the hexadecimal values you should specify for the default EBCDIC-to-ASCII mapping table. Your customized default EBCDIC-to-ASCII mapping table looks like this:

```
:PDFTEBCTBL
DATA =
/* -0-1-2-3-4-5-6-7-8-9-A-B-C-D-E-F */
'2020838485A0C68687A4BD2E3C282B7C'X      /* 4- */
'26828889BAA18C8B8DE121242A293BAA'X      /* 5- */
'2D2FB68EB7B5C78F80A5DD2C255F3E3F'X      /* 6- */
'9B90D2D3D4D6D7D8DE603A2340273D22'X      /* 7- */
'9D616263646566676869AEAFD0ECE7F1'X      /* 8- */
'F86A6B6C6D6E6F707172A6A791F792CF'X      /* 9- */
'E67E737475767778797AADA8D1EDE8A9'X      /* A- */
'5E9CBEFA9FF5F4ACABF35B5DEEF9EFF2'X      /* B- */
'7B414243444546474849F0939495A2E4'X      /* C- */
'7D4A4B4C4D4E4F505152D5968197A398'X      /* D- */
'5C20535455565758595AFDE299E3E0E5'X      /* E- */
'30313233343536373839FCEA9AEBE900'X      /* F- */
:PFNTWTH
DATA =
/* -0-1-2-3-4-5-6-7-8-9-A-B-C-D-E-F */
'48486A6A6A6A6A6A787852F052D378'X      /* 4- */
'BB6A6A6A6A43434343785278785252D3'X      /* 5- */
'5252ADADADADADADA3B27852D378F06A'X      /* 6- */
'789595959552525252785278D352D36E'X      /* 7- */
'AD6A786A786A527878436060787878D3'X      /* 8- */
'78437843BB787878785678789E78D378'X      /* 9- */
'86785B437878AD78786A526AB2AD8B78'X      /* A- */
'787878AD7878D3D3D3D378787878'X        /* B- */
'6AAD95A3B29590ADB2525278787878'X      /* C- */
'6A5BA895D8B2AD8BAD9E5678787878'X      /* D- */
'52488295B2ADE2ADAD9A56ADADADADAD'X      /* E- */
'7878787878787878787856B2B2B278'X      /* F- */
:EPDFTMAPTBL.
```

You also want to add and change printer functions. Therefore, you need to change the ASCII printer function table. Use the reference manual for the printer to find the hexadecimal values you should specify for the ASCII printer function table. You need to find the hexadecimal values you should specify for the following printer functions and characteristics:

- Printer initialization. Use these values to change the INITPRT and INITVON tags in the customizing source as follows:

```
:INITVON
  DATA = '1B451B283132551B266C3831411B
          266C32411B266C303045' X.
:INITPRT
  DATA = '1B451B283132551B266C303045' X.
```

- Bold highlighting. Use these values to change the STRBOLD and ENDBOLD tags in the customizing source as follows:

```
:STRBOLD
  DATA = '1B28733342' X.
:ENDBOLD
  DATA = '1B28733042' X.
```

- Underlining. Use these values to change the STRUS and ENDUS tags in the customizing source as follows:

```
:STRUS
  DATA = '1B26643044' X.
:ENDUS
  DATA = '1B266440' X.
```

- Margin setting. Use these values to change the MARGIN tags in the customizing source as follows:

```
:MARGIN
  OPTION=TOP
  ORIENT=PORTRAIT
  DATA = 720.
:MARGIN
  OPTION=LEFT
  ORIENT=PORTRAIT
  DATA = 240.
:MARGIN
  OPTION=RIGHT
  ORIENT=PORTRAIT
  DATA = 240.
:MARGIN
  OPTION=BOTTOM
  ORIENT=PORTRAIT
  DATA = 240.
:MARGIN
  OPTION=TOP
  ORIENT=LANDSCAPE
  DATA = 720.
:MARGIN
  OPTION=LEFT
  ORIENT=LANDSCAPE
  DATA = 240.
:MARGIN
  OPTION=RIGHT
  ORIENT=LANDSCAPE
  DATA = 240.
:MARGIN
  OPTION=BOTTOM
  ORIENT=LANDSCAPE
  DATA = 240.
```

- Portrait and landscape printing orientation. Use these values to change the PRTORIENT tags in the customizing source as follows:



```

:PRTORIENT
ORIENT=PORTRAIT
DATA ='1B266C304F'X.
:PRTORIENT
ORIENT=LANDSCAPE
DATA ='1B266C314F'X.
:PRTORIENT
ORIENT=RTT180
DATA ='1B266C324F'X.
:PRTORIENT
ORIENT=RTT270
DATA ='1B266C334F'X.

```

- Page length set in lines. Use this value to change the PAGLENL tag in the customizing source as follows:

```

:PAGLENL
VAROFFSET= 3
VARLEN= 3
VARTYPE=CHRDEC
VARMAX= 255
ADJUST= 0
DATA ='1B266C30303050'X.

```

You want to set page length in lines, even if the number of lines is greater than 255 per page. Therefore, delete the PAGLENL tag from the customizing source.

- ASCII control code mapping. To remove the existing ASCII control code mapping, delete the ASCIICTL tags.
- Font selection. Use these values to add tags to select the correct fonts, as illustrated on Figure 52 on page 265. To select the correct fonts, you must do the following:
  - Delete the FNTGPFT and FONTQLTY tags from the customizing source.
  - Add PRISPCM, PRICHRH, FNTMAP, FNTMAPE, EFNTMAP, PRISTYLE, FNTTYPE, and VARCPI tags to the customizing source.

Specify the added tags as follows:

```

:FNTTYPE
VAROFFSET= 3
VARLEN= 3
VARTYPE=CHRDEC
DATA ='1B287330303054'X.
:PRISTYLE
VAROFFSET= 3
VARLEN= 1
VARTYPE=CHRDEC
DATA ='1B28733053'X.
:PRISPCM
VAROFFSET= 3
VARLEN= 1
VARTYPE=CHRDEC
DATA ='1B28733050'X.
:PRICHRH
VAROFFSET= 3
VARLEN= 2
VARTYPE=CHRDEC
VARMAX=65535
ADJUST= 0
CNVNUM= 20
CNVDEN= 1
DATA ='1B2873303056'X.
:VARCPI
VAROFFSET= 3
VARLEN= 2
VARTYPE=CHRDEC

```

```

VARMAX=255
ADJUST= 0
CNVNUM= 1440
CNVDEN= 1440
DATA ='1B2873303548'X.
:FNTMAP
CPI=5
DEFAULT= 11.
:FNTMAPE
IBMFNT= 240
ASCIIFNT= 11.
:EFNTMAP.
:FNTMAP
CPI=855
DEFAULT= 11.
:FNTMAPE
IBMFNT= 260
ASCIIFNT= 11.
:EFNTMAP.
:FNTMAP
CPI=10
DEFAULT= 3.
:FNTMAPE
IBMFNT= 3
ASCIIFNT= 110.
:FNTMAPE
IBMFNT= 5
ASCIIFNT= 10.
:FNTMAPE
IBMFNT= 11
ASCIIFNT= 3.
:FNTMAPE
IBMFNT= 12
ASCIIFNT= 8.
:FNTMAPE
IBMFNT= 18
ASCIIFNT= 259.
:FNTMAPE
IBMFNT= 19
ASCIIFNT= 104.
:FNTMAPE
IBMFNT= 30
ASCIIFNT= 8.
:FNTMAPE
IBMFNT= 38
ASCIIFNT= 10.
:FNTMAPE
IBMFNT= 39
ASCIIFNT= 6.
:FNTMAPE
IBMFNT= 40
ASCIIFNT= 6.
:FNTMAPE
IBMFNT= 41
ASCIIFNT= 5.
:FNTMAPE
IBMFNT= 46
ASCIIFNT= 3.
:FNTMAPE
IBMFNT= 60
ASCIIFNT= 8.
:EFNTMAP.
:FNTMAP
CPI=PROP
DEFAULT= 23.
:FNTMAPE
IBMFNT= 160

```

```

    ASCIIFNT= 23.
:FNTMAPE
    IBMFNT= 155
    ASCIIFNT= 308.
:FNTMAPE
    IBMFNT= 157
    ASCIIFNT= 52.
:FNTMAPE
    IBMFNT= 158
    ASCIIFNT= 4.
:FNTMAPE
    IBMFNT= 159
    ASCIIFNT= 52.
:FNTMAPE
    IBMFNT= 162
    ASCIIFNT= 279.
:FNTMAPE
    IBMFNT= 187
    ASCIIFNT= 52.
:FNTMAPE
    IBMFNT= 188
    ASCIIFNT= 279.
:FNTMAPE
    IBMFNT= 189
    ASCIIFNT= 279.
:FNTMAPE
    IBMFNT= 194
    ASCIIFNT= 279.
:FNTMAPE
    IBMFNT= 195
    ASCIIFNT= 279.
:EFNTMAP.
:FNTMAP
    CPI= 12
    DEFAULT= 6.
:FNTMAPE
    IBMFNT= 85
    ASCIIFNT= 3.
:FNTMAPE
    IBMFNT= 66
    ASCIIFNT= 6.
:FNTMAPE
    IBMFNT= 68
    ASCIIFNT= 262.
:FNTMAPE
    IBMFNT= 84
    ASCIIFNT= 7.
:FNTMAPE
    IBMFNT= 86
    ASCIIFNT= 8.
:FNTMAPE
    IBMFNT= 91
    ASCIIFNT= 262.
:FNTMAPE
    IBMFNT= 92
    ASCIIFNT= 259.
:FNTMAPE
    IBMFNT= 108
    ASCIIFNT= 3.
:FNTMAPE
    IBMFNT= 109
    ASCIIFNT= 262.
:FNTMAPE
    IBMFNT= 110
    ASCIIFNT= 6.
:FNTMAPE
    IBMFNT= 111

```

```

    ASCIIFNT=    8.
:FNTMAPE
    IBMFNT=    112
    ASCIIFNT=   264.
:EFNTMAP.
:FNTMAP
    CPI=       133
    DEFAULT=    6.
:FNTMAPE
    IBMFNT=    204
    ASCIIFNT=    6.
:EFNTMAP.
:FNTMAP
    CPI=       15
    DEFAULT=    6.
:FNTMAPE
    IBMFNT=    230
    ASCIIFNT=    6.
:FNTMAPE
    IBMFNT=    231
    ASCIIFNT=    6.
:EFNTMAP.
:FNTMAP
    CPI=       171
    DEFAULT=    3.
:FNTMAPE
    IBMFNT=    253
    ASCIIFNT=    3.
:FNTMAPE
    IBMFNT=    254
    ASCIIFNT=    3.
:FNTMAPE
    IBMFNT=    252
    ASCIIFNT=    3.
:FNTMAPE
    IBMFNT=    255
    ASCIIFNT=    3.
:EFNTMAP.
:FNTMAP
    CPI=       20
    DEFAULT=    6.
:FNTMAPE
    IBMFNT=    281
    ASCIIFNT=    6.
:EFNTMAP.

```

- Superscript printing. Use these values to change the STRSUPS and ENDSUPS tags in the customizing source as follows:

```

:STRSUPS
DATA ='1B26612D2E3552'X.
:ENDSUPS
DATA ='1B3D'X.

```

- Subscript printing. Use these values to change the STRSUBS and ENDSUBS tags in the customizing source as follows:

```

:STRSUBS
DATA ='1B3D'X.
:ENDSUBS
DATA ='1B26612D2E3552'X.

```

- Forward and backward relative movement. Use these values to change the FWDRMOV and BCKRMOV tags in the customizing source as follows:

```

:FWDRMOV
VAROFFSET=    4
VARLEN=       5
VARTYPE=CHRDEC
VARMAX=32767

```

```

ADJUST= 0
CNVNUM= 2
CNVDEN= 1
DATA ='1B26612B303030303048'X.
:BCKRMOV
VAROFFSET= 4
VARLEN= 5
VARTYPE=CHRDEC
VARMAX=32767
ADJUST= 0
CNVNUM= 2
CNVDEN= 1
DATA ='1B26612D303030303048'X.

```

- Default font identifiers for different fonts. Use these values to change the DFTFNTID tags in the customizing source as follows:

```

:DFTFNTID
CPI=855
DEFAULT= 265.
:DFTFNTID
CPI=10
DEFAULT= 11.
:DFTFNTID
CPI=12
DEFAULT= 85.
:DFTFNTID
CPI=15
DEFAULT= 230.
:DFTFNTID
CPI=171
DEFAULT= 253.
:DFTFNTID
CPI=PROP
DEFAULT= 159.
:DFTFNTID
CPI=5
DEFAULT= 244.
:DFTFNTID
CPI=133
DEFAULT= 204.
:DFTFNTID
CPI=20
DEFAULT= 281.

```

- Number of characters per inch. Use these values to change the CPI tags in the customizing source as follows:

```

:CPI
CPI=855
DATA ='1B2873303848'X.
:CPI
CPI=10
DATA ='1B2873313048'X.
:STRPROP
DATA ='1B2873303150'X.
:CPI
CPI=12
DATA ='1B2873313248'X.
:CPI
CPI=15
DATA ='1B2873313548'X.
:CPI
CPI=171
DATA ='1B266B325300'X.

```

- Control sequence for feeding different types of paper to the printer. Use these values to change the PRTFEED tags in the customizing source as follows:

```
:PRTFEED
FEEDTYPE=MANUAL
DATA ='1B266C3248'X.
```

- Control sequence for paper drawer selection. Use these values to change the DWRSLT tags in the customizing source as follows:

```
:DWRSLT
DRAWER=DRAWER1
DATA ='1B266C3148'X.
```

```
:DWRSLT
DRAWER=DRAWER2
DATA ='1B266C3448'X.
```

```
:DWRSLT
DRAWER=ENVELOPE
DATA ='1B266C3648'X.
```

- Reverse index. Use this value to change the RVSIDX tag in the customizing source. as follows:

```
:RVSIDX
DATA ='1B26612D3152'X.
```

- Printer control flags. The printer control flag values come from this guide, instead of the printer reference manual. Use the values indicated in this guide to change the PRTCTL tag in the customizing source. You set printer control flags to '82'X to indicate:

- Page length changes in the middle of the page are not allowed.
- Font widths are indicated in 1/1440-inch units.

- Page size for different types of paper. Use these values to change the PAGESZPFT tags in the customizing source. For legal size (8.5-inch by 14-inch) paper, manually fed, specify:

```
:PAGESZPFT
PAGWTH=12240
PAGLEN=20160
PAPER=MANUAL.
```

For letter size (8.5-inch by 11-inch) paper, in paper drawer 1, specify:

```
:PAGESZPFT
PAGWTH=12240
PAGLEN=15840
PAPER=DRAWER1.
```

For letter size (8.5-inch by 11-inch) paper, in paper drawer 2, specify:

```
:PAGESZPFT
PAGWTH=12240
PAGLEN=15840
PAPER=DRAWER2.
```

For commercial 10 (9.5-inch by 4.125-inch) envelopes, in the envelope feed, specify:

```
:PAGESZPFT
PAGWTH=12240
PAGLEN= 5760
PAPER=ENVELOPE.
```

- Code page. If your printer uses more than one ASCII code page symbol set, use this value to change the :CODPAGVAR tag in your customizing source. If your printer uses only one ASCII code page, delete the CODPAGVAR tag from your customizing source.

```

:CODPAGVAR
VAROFFSET= 2
VARLEN= 3
VARTYPE=CHRAN
DATA ='1B28313255'X.

```

- Print quality. Use these values to add PRTQLTY tags to the customizing source as follows:

```

:PRTQLTY
QLTYTYPE=LETTER
DATA ='1B28733053'X.
:PRTQLTY
QLTYTYPE=DRAFT
DATA ='1B28733053'X.
:PRTQLTY
QLTYTYPE=TEXT
DATA ='1B28733153'X.

```

The data stream from your application contains commands that tell the printer to use a different code page. Therefore, you need to change the printer multi language EBCDIC-to-ASCII mapping table. Use the reference manual for the printer to find the hexadecimal values you should indicate for the printer multi language EBCDIC-to-ASCII mapping table.

If your applications use only U.S. English and U.S. international code pages (code page 037 and code page 038), the changed portion of the printer multi language EBCDIC-to-ASCII mapping table looks like this:

```

/* Following is the code page mapping for */
/* EBCDIC code page 037 (USB) to ASCII */
/* code page 3157 (PC 850) */

```

```

:PMLGEBCTBL
EBCDICCP= 37
ASCIICP= 3157
DATA =
/* -0-1-2-3-4-5-6-7-8-9-A-B-C-D-E-F */
'2020838485A0C68687A4BD2E3C282B7C'X /* 4- */
'26828889BAA18C8B8DE121242A293BAA'X /* 5- */
'2D2FB68EB7B5C78F80A5DD2C255F3E3F'X /* 6- */
'9B90D2D3D4D6D7D8DE603A2340273D22'X /* 7- */
'9D616263646566676869AEAFD0ECE7F1'X /* 8- */
'F86A6B6C6D6E6F707172A6A791F792CF'X /* 9- */
'E67E737475767778797ADA8D1EDE8A9'X /* A- */
'5E9CBEFA9FF5F4ACABF35B5DEEF9EFF2'X /* B- */
'7B414243444546474849F0939495A2E4'X /* C- */
'7D4A4B4C4D4E4F505152D5968197A398'X /* D- */
'5C20535455565758595AFDE299E3E0E5'X /* E- */
'30313233343536373839FCEA9AEBE900'X. /* F- */
:PFNTWTH
DATA =
/* -0-1-2-3-4-5-6-7-8-9-A-B-C-D-E-F */
'48486A6A6A6A6A6A787852F052D378'X /* 4- */
'BB6A6A6A43434343785278785252D3'X /* 5- */
'5252ADADADADADA3B27852D378F06A'X /* 6- */
'7895959552525252785278D352D36E'X /* 7- */
'AD6A786A786A5278784360607878D3'X /* 8- */
'78437843BB787878785678789E78D378'X /* 9- */
'86785B437878AD78786A526AB2AD8B78'X /* A- */
'787878AD7878D3D3D3D37878787878'X /* B- */
'6AAD95A3B29590ADB2525278787878'X /* C- */
'6A5BA895D8B2AD8BAD9E5678787878'X /* D- */
'52488295B2ADE2ADAD9A56ADADADADAD'X /* E- */
'78787878787878787856B2B2B278'X. /* F- */

```

```

/* Following is the code page mapping for */

```

```

/* EBCDIC code page 038 (USI) to ASCII */
/* code page 3157 (PC 850). */

:PMLGEBCTBL
EBCDICCP= 38
ASCIICP= 3157
DATA =
/* -0-1-2-3-4-5-6-7-8-9-A-B-C-D-E-F */
'2020838485A0C68687A45B2E3C282B21'X /* 4- */
'268288898AA18C8B8DE15D242A293B5E'X /* 5- */
'2D2FB68EB7B5C78F80A5DD2C255F3E3F'X /* 6- */
'9B90D2D3D4D6D7D8DE603A2340273D22'X /* 7- */
'9D616263646566676869AEAFD0ECE7F1'X /* 8- */
'F86A6B6C6D6E6F707172A6A791F792CF'X /* 9- */
'E67E737475767778797AADA8D1EDE8A9'X /* A- */
'BD9CBEFA9FF5F4ACABF3AA7CEEF9EFF2'X /* B- */
'7B4142434445464748492D939495A2E4'X /* C- */
'7D4A4B4C4D4E4F505152FB968197A398'X /* D- */
'5C20535455565758595AFDE299E3E0E5'X /* E- */
'30313233343536373839FCEA9AEBE900'X. /* F- */

:PFNTWTH
DATA =
/* -0-1-2-3-4-5-6-7-8-9-A-B-C-D-E-F */
'48486A6A6A6A6A6A6A6A785252F052D352'X /* 4- */
'BB6A6A6A6A4343434378527878525278'X /* 5- */
'5252ADADADADADADA3B27852D378F06A'X /* 6- */
'789595959552525252785278D352D36E'X /* 7- */
'AD6A786A786A527878436060787878D3'X /* 8- */
'78437843BB787878785678789E78D378'X /* 9- */
'86785B437878AD78786A526AB2AD8B78'X /* A- */
'787878AD7878D3D3D3D378787878'X /* B- */
'6AAD95A3B29590ADB2525278787878'X /* C- */
'6A5BA895D8B2AD8BAD9E5678787878'X /* D- */
'52488295B2ADE2ADAD9A56ADADADADAD'X /* E- */
'7878787878787878787856B2B2B278'X. /* F- */

```

If your applications use additional code pages, you must change the printer multi-language EBCDIC-to-ASCII mapping tables for each additional code page used.

## Step 2: Retrieving the Workstation Customizing Source

To create a workstation customizing source, you use the Retrieve Work Station Customizing Object Source (RTVWSCST) command and specify the following:

Device type	DEVTYPE(4019)
Keyboard language type	KBDTYPE(USI) This value must match the language type you specified in the device description for the printer; otherwise it will not vary on.
Source member	SRCMBR(CSTHPDA)
Source file	SRCFILE(CSTSRC)
Library	LIB(CSTLIB)
Text	TEXT('Workstation customizing source for HPDA ASCII Printer')



### Step 3: Changing the Source

After you retrieve the source, use the source entry utility (SEU) to change the printer characteristics. The command looks like the following:

```
STRSEU SRCFILE(CSTLIB/CSTSRC) SRCMBR(CSTHPDA)
```

The copy of the source you retrieve contains all the mapping tables for the printer. These mapping tables are downloaded to the workstation controller when the printer is varied on. When you edit the file, functions and characteristics associated with tags you delete are no longer mapped and do not work anymore.

Make a few changes at a time to the workstation customizing source. Then compile the source. Vary off the printer and then vary it on. Print the test document each time you vary on the printer to see if your changes are effective.

**Note:** When you vary the device on and off many times, the workstation controller storage can fill up. When this occurs, the device no longer varies on and an error message is sent to the QSYSOPR message queue. To correct this situation, it is necessary to vary off the workstation controller, and then vary it on again specifying RESET(\*YES). This clears the storage in the workstation controller and allows the mapping tables in the new workstation customizing object to be loaded.

The following listing shows the customized source, after you have made all changes. For an example of the original retrieved source, see Appendix B. Source Code Examples.

```
:WSCST DEVCLASS=ASCIIPRT.  
  
:PDFTMAPTBL.  
:PDFTEBCTBL  
DATA =  
/* -0-1-2-3-4-5-6-7-8-9-A-B-C-D-E-F */  
'2020838485A0C68687A4BD2E3C282B7C'X /* 4- */  
'26828889BAA18C8B8DE121242A293BAA'X /* 5- */  
'2D2FB68EB7B5C78F80A5DD2C255F3E3F'X /* 6- */  
'9B90D2D3D4D6D7D8DE603A2340273D22'X /* 7- */  
'9D616263646566676869AEAFD0ECE7F1'X /* 8- */  
'F86A6B6C6D6E6F707172A6A791F792CF'X /* 9- */  
'E67E737475767778797AADA8D1EDE8A9'X /* A- */  
'5E9CBEFA9FF5F4ACABF35B5DEEF9EFF2'X /* B- */  
'7B414243444546474849F0939495A2E4'X /* C- */  
'7D4A4B4C4D4E4F505152D5968197A398'X /* D- */  
'5C20535455565758595AFDE299E3E0E5'X /* E- */  
'30313233343536373839FCEA9AEBE900'X. /* F- */  
  
:PFNTWTH  
DATA =  
/* -0-1-2-3-4-5-6-7-8-9-A-B-C-D-E-F */  
'48486A6A6A6A6A6A787852F052D378'X /* 4- */  
'BB6A6A6A43434343785278785252D3'X /* 5- */  
'5252ADADADADADA3B27852D378F06A'X /* 6- */  
'7895959552525252785278D352D36E'X /* 7- */  
'AD6A786A786A5278784360607878D3'X /* 8- */  
'78437843BB7878785678789E78D378'X /* 9- */  
'86785B4378AD78786A526AB2AD8B78'X /* A- */  
'787878AD7878D3D3D3D378787878'X /* B- */  
'6AAD95A3B29590ADB2525278787878'X /* C- */  
'6A5BA895D8B2AD8BAD9E5678787878'X /* D- */  
'52488295B2ADE2ADAD9A56ADADADAD'X /* E- */  
'78787878787878787856B2B2B278'X. /* F- */  
  
:EPDFTMAPTBL.
```

```

:PFCNTBL.
:DFTFNTID
  CPI=855
  DEFAULT= 265.
:DFTFNTID
  CPI=10
  DEFAULT= 11.
:DFTFNTID
  CPI=12
  DEFAULT= 85.
:DFTFNTID
  CPI=15
  DEFAULT= 230.
:DFTFNTID
  CPI=171
  DEFAULT= 253.
:DFTFNTID
  CPI=PROP
  DEFAULT= 159.
:DFTFNTID
  CPI=5
  DEFAULT= 244.
:DFTFNTID
  CPI=133
  DEFAULT= 204.
:DFTFNTID
  CPI=20
  DEFAULT= 281.
:VARLSPC
  VAROFFSET= 3
  VARLEN= 2
  VARTYPE=CHRDEC
  VARMAX= 255
  ADJUST= 0
  CNVNUM= 30
  CNVDEN= 1
  DATA ='1B266C30302E303043'X.

```

/\* Removed the PAGLENI tag here \*/

```

:PAGLENL
  VAROFFSET= 3
  VARLEN= 3
  VARTYPE=CHRDEC
  VARMAX= 255
  ADJUST= 0
  DATA ='1B266C30303050'X.
:CODPAGVAR
  VAROFFSET= 2
  VARLEN= 3
  VARTYPE=CHRAN
  DATA ='1B28313255'X.

```

/\* Removed the FNTGPFT tag here \*/

```

:FWDRMOV
  VAROFFSET= 4
  VARLEN= 5
  VARTYPE=CHRDEC
  VARMAX=32767
  ADJUST= 0
  CNVNUM= 2
  CNVDEN= 1
  DATA ='1B26612B3030303048'X.
:BCKRMOV
  VAROFFSET= 4
  VARLEN= 5

```

```

VARTYPE=CHRDEC
VARMAX=32767
ADJUST= 0
CNVNUM= 2
CNVDEN= 1
DATA ='1B26612D3030303048'X.

/* Add the FNTTYPE, PRISTYLE, PRISPCM, */
/* PRICHRH, and VARCPPI tags here. */

:FNTTYPE
VAROFFSET= 3
VARLEN= 3
VARTYPE=CHRDEC
DATA ='1B287330303054'X.
:PRISTYLE
VAROFFSET= 3
VARLEN= 1
VARTYPE=CHRDEC
DATA ='1B28733053'X.
:PRISPCM
VAROFFSET= 3
VARLEN= 1
VARTYPE=CHRDEC
DATA ='1B28733050'X.
:PRICHRH
VAROFFSET= 3
VARLEN= 2
VARTYPE=CHRDEC
VARMAX=65535
ADJUST= 0
CNVNUM= 20
CNVDEN= 1
DATA ='1B2873303056'X.
:VARCPPI
VAROFFSET= 3
VARLEN= 2
VARTYPE=CHRDEC
VARMAX=255
ADJUST= 0
CNVNUM= 1440
CNVDEN= 1440
DATA ='1B2873303548'X.

/* End of new tags. */

:CPI
CPI=855
DATA ='1B2873303848'X.
:CPI
CPI=10
DATA ='1B2873313048'X.
:STRPROP
DATA ='1B2873303150'X.
:CPI
CPI=12
DATA ='1B2873313248'X.
:CPI
CPI=15
DATA ='1B2873313548'X.
:CPI
CPI=171
DATA ='1B266B325300'X.

/* Removed the FONTQLTY tags here. */

:STRBOLD

```

```

        DATA ='1B28733342'X.
:ENDBOLD
        DATA ='1B28733042'X.

/* Add PRTQLTY tags here. */

:PRTQLTY
  QLTYTYPE=LETTER
  DATA ='1B28733053'X.
:PRTQLTY
  QLTYTYPE=DRAFT
  DATA ='1B28733053'X.
:PRTQLTY
  QLTYTYPE=TEXT
  DATA ='1B28733153'X.

/* End of new tags. */

:PRTFEED
  FEEDTYPE=MANUAL
  DATA ='1B266C3248'X.
:DWRSLT
  DRAWER=DRAWER1
  DATA ='1B266C3148'X.
:DWRSLT
  DRAWER=DRAWER2
  DATA ='1B266C3448'X.
:DWRSLT
  DRAWER=ENVELOPE
  DATA ='1B266C3648'X.
:PRTORIENT
  ORIENT=PORTRAIT
  DATA ='1B266C304F'X.
:PRTORIENT
  ORIENT=LANDSCAPE
  DATA ='1B266C314F'X.
:PRTORIENT
  ORIENT=RTT180
  DATA ='1B266C324F'X.
:PRTORIENT
  ORIENT=RTT270
  DATA ='1B266C334F'X.
:STRUS
  DATA ='1B26643044'X.
:ENDUS
  DATA ='1B266440'X.
:STRSUPS
  DATA ='1B26612D2E3552'X.
:ENDSUPS
  DATA ='1B3D'X.
:STRSUBS
  DATA ='1B3D'X.
:ENDSUBS
  DATA ='1B26612D2E3552'X.
:RVSIDX
  DATA ='1B26612D3152'X.
:INITVON
  DATA ='1B451B283132551B266C3831411B266C32411B266C303045'X.
:INITPRT
  DATA ='1B451B283132551B266C303045'X.
:SPACE
  DATA ='20'X.
:BELL
  DATA ='07'X.
:CARRTN
  DATA ='0D'X.
:LINEFEED

```

```

    DATA ='0A'X.
:FORMFEED
    DATA ='0C'X.
:PRTCTL
    DATA ='82'X.
:BSP
    DATA ='08'X.
:COLLATE
    DATA = 12.
:PAGSIZPFT
    PAGWTH=12240
    PAGLEN=20160
    PAPER=MANUAL.
:PAGSIZPFT
    PAGWTH=12240
    PAGLEN=15840
    PAPER=DRAWER1.
:PAGSIZPFT
    PAGWTH=12240
    PAGLEN=15840
    PAPER=DRAWER2.
:PAGSIZPFT
    PAGWTH=12240
    PAGLEN= 5760
    PAPER=ENVELOPE.
:MARGIN
    OPTION=TOP
    ORIENT=PORTRAIT
    DATA = 720.
:MARGIN
    OPTION=LEFT
    ORIENT=PORTRAIT
    DATA = 240.
:MARGIN
    OPTION=RIGHT
    ORIENT=PORTRAIT
    DATA = 240.
:MARGIN
    OPTION=BOTTOM
    ORIENT=PORTRAIT
    DATA = 240.
:MARGIN
    OPTION=TOP
    ORIENT=LANDSCAPE
    DATA = 720.
:MARGIN
    OPTION=LEFT
    ORIENT=LANDSCAPE
    DATA = 240.
:MARGIN
    OPTION=RIGHT
    ORIENT=LANDSCAPE
    DATA = 240.
:MARGIN
    OPTION=BOTTOM
    ORIENT=LANDSCAPE
    DATA = 240.

/* Removed the ASCIICTL tags here.          */

/* Add FNTMAP, FNTMAPE, and EFNTMAP tags here. */

:FNTMAP
    CPI=5
    DEFAULT= 11.
:FNTMAPE
    IBMFNT= 240

```

```

    ASCII FNT= 11.
:EFNTMAP.
:FNTMAP
  CPI=855
  DEFAULT= 11.
:FNTMAPE
  IBMFNT= 260
  ASCII FNT= 11.
:EFNTMAP.
:FNTMAP
  CPI=10
  DEFAULT= 3.
:FNTMAPE
  IBMFNT= 3
  ASCII FNT= 110.
:FNTMAPE
  IBMFNT= 5
  ASCII FNT= 10.
:FNTMAPE
  IBMFNT= 11
  ASCII FNT= 3.
:FNTMAPE
  IBMFNT= 12
  ASCII FNT= 8.
:FNTMAPE
  IBMFNT= 18
  ASCII FNT= 259.
:FNTMAPE
  IBMFNT= 19
  ASCII FNT= 104.
:FNTMAPE
  IBMFNT= 30
  ASCII FNT= 8.
:FNTMAPE
  IBMFNT= 38
  ASCII FNT= 10.
:FNTMAPE
  IBMFNT= 39
  ASCII FNT= 6.
:FNTMAPE
  IBMFNT= 40
  ASCII FNT= 6.
:FNTMAPE
  IBMFNT= 41
  ASCII FNT= 5.
:FNTMAPE
  IBMFNT= 46
  ASCII FNT= 3.
:FNTMAPE
  IBMFNT= 60
  ASCII FNT= 8.
:EFNTMAP.
:FNTMAP
  CPI=PROP
  DEFAULT= 23.
:FNTMAPE
  IBMFNT= 160
  ASCII FNT= 23.
:FNTMAPE
  IBMFNT= 155
  ASCII FNT= 308.
:FNTMAPE
  IBMFNT= 157
  ASCII FNT= 52.
:FNTMAPE
  IBMFNT= 158
  ASCII FNT= 4.

```

```

:FNTMAPE
  IBMFNT= 159
  ASCIIFNT= 52.
:FNTMAPE
  IBMFNT= 162
  ASCIIFNT= 279.
:FNTMAPE
  IBMFNT= 187
  ASCIIFNT= 52.
:FNTMAPE
  IBMFNT= 188
  ASCIIFNT= 279.
:FNTMAPE
  IBMFNT= 189
  ASCIIFNT= 279.
:FNTMAPE
  IBMFNT= 194
  ASCIIFNT= 279.
:FNTMAPE
  IBMFNT= 195
  ASCIIFNT= 279.
:EFNTMAP.
:FNTMAP
  CPI= 12
  DEFAULT= 6.
:FNTMAPE
  IBMFNT= 85
  ASCIIFNT= 3.
:FNTMAPE
  IBMFNT= 66
  ASCIIFNT= 6.
:FNTMAPE
  IBMFNT= 68
  ASCIIFNT= 262.
:FNTMAPE
  IBMFNT= 84
  ASCIIFNT= 7.
:FNTMAPE
  IBMFNT= 86
  ASCIIFNT= 8.
:FNTMAPE
  IBMFNT= 91
  ASCIIFNT= 262.
:FNTMAPE
  IBMFNT= 92
  ASCIIFNT= 259.
:FNTMAPE
  IBMFNT= 108
  ASCIIFNT= 3.
:FNTMAPE
  IBMFNT= 109
  ASCIIFNT= 262.
:FNTMAPE
  IBMFNT= 110
  ASCIIFNT= 6.
:FNTMAPE
  IBMFNT= 111
  ASCIIFNT= 8.
:FNTMAPE
  IBMFNT= 112
  ASCIIFNT= 264.
:EFNTMAP.
:FNTMAP
  CPI= 133
  DEFAULT= 6.
:FNTMAPE
  IBMFNT= 204

```

```

    ASCII FNT= 6.
:EFNTMAP.
:FNTMAP
    CPI= 15
    DEFAULT= 6.
:FNTMAPE
    IBMFNT= 230
    ASCII FNT= 6.
:FNTMAPE
    IBMFNT= 231
    ASCII FNT= 6.
:EFNTMAP.
:FNTMAP
    CPI= 171
    DEFAULT= 3.
:FNTMAPE
    IBMFNT= 253
    ASCII FNT= 3.
:FNTMAPE
    IBMFNT= 254
    ASCII FNT= 3.
:FNTMAPE
    IBMFNT= 252
    ASCII FNT= 3.
:FNTMAPE
    IBMFNT= 255
    ASCII FNT= 3.
:EFNTMAP.
:FNTMAP
    CPI= 20
    DEFAULT= 6.
:FNTMAPE
    IBMFNT= 281
    ASCII FNT= 6.
:EFNTMAP.

```

/\* End of new tags. \*/

```
:PMLGMAPTBL.
```

/\* Following are the changed code page mappings. \*/

```

:PMLGEBCTBL
EBCDICCP= 29
ASCII CP= 3157
DATA =
/* -0-1-2-3-4-5-6-7-8-9-A-B-C-D-E-F */
'2020838485A0C68687A4E82E3C282B21'X /* 4- */
'268288898AA18C8B8DE192242A293B99'X /* 5- */
'2D2FB68EB7B5C78F80A5DD2C255F3E3F'X /* 6- */
'9B90D2D3D4D6D7D8DED03A23D1273D22'X /* 7- */
'9D616263646566676869AEAF60EC7BF1'X /* 8- */
'F86A6B6C6D6E6F707172A6A77DF75DCF'X /* 9- */
'E694737475767778797AADA840ED5BA9'X /* A- */
'BD9CBEFAB8F5F4ACABF3AA7CEEF95C9E'X /* B- */
'E7414243444546474849F0937E95A2E4'X /* C- */
'914A4B4C4D4E4F505152FB968197A398'X /* D- */
'EFF6535455565758595AFDE25EE3E0E5'X /* E- */
'30313233343536373839FCEA9AEBE900'X. /* F- */
:PFNTWTH
DATA =
/* -0-1-2-3-4-5-6-7-8-9-A-B-C-D-E-F */
'48486A6A6A6A6A6A787852F052D378'X /* 4- */
'BB6A6A6A6A43434343785278785252D3'X /* 5- */
'5252ADADADADADA3B27852D378F06A'X /* 6- */

```



```
'7895959595525252785278D352D36E'X /* 7- */
'AD6A786A786A527878436060787878D3'X /* 8- */
'78437843BB787878785678789E78D378'X /* 9- */
'86785B437878AD78786A526AB2AD8B78'X /* A- */
'787878AD787878D3D3D37878787878'X /* B- */
'6AAD95A3B29590ADB252527878787878'X /* C- */
'6A5BA895D8B2AD8BAD9E567878787878'X /* D- */
'52488295B2ADE2ADAD9A56ADADADADAD'X /* E- */
'7878787878787878787856B2B2B278'X. /* F- */
```

```
:PMLGEBCTBL
EBCDICCP= 30
ASCIIICP= 3157
DATA =
/* -0-1-2-3-4-5-6-7-8-9-A-B-C-D-E-F */
'2020838485A000917BA4802E3C282B21'X /* 4- */
'268288898AA18C8B8DE1A6982A293B5E'X /* 5- */
'2D2FB686B7B500925BA5AD2C255F3E3F'X /* 6- */
'0090D2D3D4D6D7D8DED53A99B8273D9A'X /* 7- */
'F4616263646566676869E886C7ED007C'X /* 8- */
'F86A6B6C6D6E6F707172A99B9FF700CF'X /* 9- */
'E694737475767778797AE78FC6EC0040'X /* A- */
'FA9CBE7DBDF55D00AB24A89DACF9EF9E'X /* B- */
'87414243444546474849F0937E95A2E5'X /* C- */
'A74A4B4C4D4E4F50515260965C81A300'X /* D- */
'81F6535455565758595AFDE223E0E4'X /* E- */
'30313233343536373839FCEA22EBE900'X. /* F- */
```

```
:PFNTWTH
DATA =
/* -0-1-2-3-4-5-6-7-8-9-A-B-C-D-E-F */
'48486A6A6A6A6A6A787852F052D378'X /* 4- */
'BB6A6A6A6A43434343785278785252D3'X /* 5- */
'5252ADADADADADADA3B27852D378F06A'X /* 6- */
'7895959595525252785278D352D36E'X /* 7- */
'AD6A786A786A527878436060787878D3'X /* 8- */
'78437843BB787878785678789E78D378'X /* 9- */
'86785B437878AD78786A526AB2AD8B78'X /* A- */
'787878AD787878D3D3D37878787878'X /* B- */
'6AAD95A3B29590ADB252527878787878'X /* C- */
'6A5BA895D8B2AD8BAD9E567878787878'X /* D- */
'52488295B2ADE2ADAD9A56ADADADADAD'X /* E- */
'7878787878787878787856B2B2B278'X. /* F- */
```

```
:PMLGEBCTBL
EBCDICCP= 37
ASCIIICP= 3157
DATA =
/* -0-1-2-3-4-5-6-7-8-9-A-B-C-D-E-F */
'2020838485A0C68687A4BD2E3C282B7C'X /* 4- */
'26828889BAA18C8B8DE121242A293BAA'X /* 5- */
'2D2FB68EB7B5C78F80A5DD2C255F3E3F'X /* 6- */
'9B90D2D3D4D6D7D8DE603A2340273D22'X /* 7- */
'9D616263646566676869AEAFD0ECE7F1'X /* 8- */
'F86A6B6C6D6E6F707172A6A791F792CF'X /* 9- */
'E67E737475767778797AADA8D1EDE8A9'X /* A- */
'5E9CBEFA9FF5F4ACABF35B5DEEF9EFF2'X /* B- */
'7B414243444546474849F0939495A2E4'X /* C- */
'7D4A4B4C4D4E4F505152D5968197A398'X /* D- */
'5C20535455565758595AFDE299E3E0E5'X /* E- */
'30313233343536373839FCEA9AEBE900'X. /* F- */
```

```
:PFNTWTH
DATA =
/* -0-1-2-3-4-5-6-7-8-9-A-B-C-D-E-F */
'48486A6A6A6A6A6A787852F052D378'X /* 4- */
'BB6A6A6A6A43434343785278785252D3'X /* 5- */
'5252ADADADADADADA3B27852D378F06A'X /* 6- */
'7895959595525252785278D352D36E'X /* 7- */
```

```

'AD6A786A786A527878436060787878D3'X      /* 8- */
'78437843BB787878785678789E78D378'X      /* 9- */
'86785B437878AD78786A526AB2AD8B78'X      /* A- */
'787878AD787878D3D3D3D378787878'X      /* B- */
'6AAD95A3B29590ADB2525278787878'X      /* C- */
'6A5BA895D8B2AD8BAD9E5678787878'X      /* D- */
'52488295B2ADE2ADAD9A56ADADADADAD'X      /* E- */
'7878787878787878787856B2B2B278'X      /* F- */

:PMLGEBCTBL
EBCDICCP= 38
ASCIIICP= 3157
DATA =
/* -0-1-2-3-4-5-6-7-8-9-A-B-C-D-E-F */
'2020838485A0C68687A45B2E3C282B21'X      /* 4- */
'268288898AA18C8B8DE15D242A293B5E'X      /* 5- */
'2D2FB68EB7B5C78F80A5DD2C255F3E3F'X      /* 6- */
'9B90D2D3D4D6D7D8DE603A2340273D22'X      /* 7- */
'9D616263646566676869AEAFD0ECE7F1'X      /* 8- */
'F86A6B6C6D6E6F707172A6A791F792CF'X      /* 9- */
'E67E737475767778797AADA8D1EDE8A9'X      /* A- */
'BD9CBFA9FF5F4ACABF3AA7CEEF9EFF2'X      /* B- */
'7B414243444546474849F0939495A2E4'X      /* C- */
'7D4A4B4C4D4E4F505152D5968197A398'X      /* D- */
'5C20535455565758595AFDE299E3E0E5'X      /* E- */
'30313233343536373839FCEA9AEBE900'X      /* F- */

:PFNTWTH
DATA =
/* -0-1-2-3-4-5-6-7-8-9-A-B-C-D-E-F */
'48486A6A6A6A6A6A6A787852F052D378'X      /* 4- */
'BB6A6A6A6A43434343785278785252D3'X      /* 5- */
'5252ADADADADADADA3B27852D378F06A'X      /* 6- */
'789595959552525252785278D352D36E'X      /* 7- */
'AD6A786A786A527878436060787878D3'X      /* 8- */
'78437843BB787878785678789E78D378'X      /* 9- */
'86785B437878AD78786A526AB2AD8B78'X      /* A- */
'787878AD787878D3D3D3D378787878'X      /* B- */
'6AAD95A3B29590ADB2525278787878'X      /* C- */
'6A5BA895D8B2AD8BAD9E5678787878'X      /* D- */
'52488295B2ADE2ADAD9A56ADADADADAD'X      /* E- */
'7878787878787878787856B2B2B278'X      /* F- */

:PMLGEBCTBL
EBCDICCP= 45
ASCIIICP= 3157
DATA =
/* -0-1-2-3-4-5-6-7-8-9-A-B-C-D-E-F */
'2020838461A0C79F87865B2E3C282B21'X      /* 4- */
'2682A98985A18C9692E15D242A293B5E'X      /* 5- */
'2D2FB68E41B5C6AC808FD82C255F3E3F'X      /* 6- */
'F390A8D3DED6D79591603A2340273D22'X      /* 7- */
'F461626364656667686998E5D0ECFDAD'X      /* 8- */
'F86A6B6C6D6E6F70717288E4E7F7F2CF'X      /* 9- */
'A5F1737475767778797AB8D5D1EDFCB8'X      /* A- */
'FA4CBEDDBDF5A7ABA68D9DE3E6F9EFEE'X      /* B- */
'D4414243444546474849F09394EAA28B'X      /* C- */
'D24A4B4C4D4E4F505152B7FB819CA379'X      /* D- */
'A420535455565758595A32E299E8E08A'X      /* E- */
'3031323334353637383933EB9A9BE900'X      /* F- */

:PFNTWTH
DATA =
/* -0-1-2-3-4-5-6-7-8-9-A-B-C-D-E-F */
'48486A6A6A6A6A6A6A787852F052D378'X      /* 4- */
'BB6A6A6A6A43434343785278785252D3'X      /* 5- */
'5252ADADADADADADA3B27852D378F06A'X      /* 6- */
'789595959552525252785278D352D36E'X      /* 7- */
'AD6A786A786A527878436060787878D3'X      /* 8- */

```

```
'78437843BB787878785678789E78D378'X /* 9- */
'86785B437878AD78786A526AB2AD8B78'X /* A- */
'787878AD787878D3D3D3D37878787878'X /* B- */
'6AAD95A3B29590ADB252527878787878'X /* C- */
'6A5BA895D8B2AD8BAD9E567878787878'X /* D- */
'52488295B2ADE2ADAD9A56ADADADADAD'X /* E- */
'787878787878787878787856B2B2B278'X. /* F- */
```

```
:PMLGEBCTBL
EBCDICCP= 256
ASCIIICP= 3157
DATA =
/* -0-1-2-3-4-5-6-7-8-9-A-B-C-D-E-F */
'2020838485A0C68687A45B2E3C282B21'X /* 4- */
'268288898AA18C8B8DE15D242A293B5E'X /* 5- */
'2D2FB68EB7B5C78F80A5DD2C255F3E3F'X /* 6- */
'9B90D2D3D4D6D7D8DE603A2340273D22'X /* 7- */
'9D616263646566676869AEAFD0ECE7F1'X /* 8- */
'F86A6B6C6D6E6F707172A6A791F792CF'X /* 9- */
'E67E737475767778797AADA8D1EDE8A9'X /* A- */
'BD9CBE169FF5F4ACABF3AA7CEEF9EFF2'X /* B- */
'7B414243444546474849F0939495A2E4'X /* C- */
'7D4A4B4C4D4E4F505152D5968197A398'X /* D- */
'5C20535455565758595AFDE299E3E0E5'X /* E- */
'30313233343536373839FCEA9AEBE900'X. /* F- */
```

```
:PFNTWTH
DATA =
/* -0-1-2-3-4-5-6-7-8-9-A-B-C-D-E-F */
'48486A6A6A6A6A6A787852F052D378'X /* 4- */
'BB6A6A6A6A43434343785278785252D3'X /* 5- */
'5252ADADADADADADA3B27852D378F06A'X /* 6- */
'789595959552525252785278D352D36E'X /* 7- */
'AD6A786A786A527878436060787878D3'X /* 8- */
'78437843BB787878785678789E78D378'X /* 9- */
'86785B437878AD78786A526AB2AD8B78'X /* A- */
'787878AD787878D3D3D3D37878787878'X /* B- */
'6AAD95A3B29590ADB252527878787878'X /* C- */
'6A5BA895D8B2AD8BAD9E567878787878'X /* D- */
'52488295B2ADE2ADAD9A56ADADADADAD'X /* E- */
'787878787878787878787856B2B2B278'X. /* F- */
```

```
:PMLGEBCTBL
EBCDICCP= 257
ASCIIICP= 3157
DATA =
/* -0-1-2-3-4-5-6-7-8-9-A-B-C-D-E-F */
'202080828486888A8C8E5B2E3C282B21'X /* 4- */
'2690929496989A9EEF815D242A293B5E'X /* 5- */
'2D2F838587898B8D8F917C2C255F3E3F'X /* 6- */
'9395972D999B9CA0A2603A2340273D22'X /* 7- */
'9A616263646566676869A6A8AAACB5B7'X /* 8- */
'BD6A6B6C6D6E6F707172C6D0D2D4D6D8'X /* 9- */
'DE7E737475767778797AE1E3E5E7E9EB'X /* A- */
'EDF1F3F5F7F9FB9E9DA1A3A5A7A9ABAD'X /* B- */
'7B414243444546474849B6B8BEC7D1D3'X /* C- */
'7D4A4B4C4D4E4F505152D5D7DDE0E2E4'X /* D- */
'5CCF535455565758595AE6E8EAECFEF2'X /* E- */
'30313233343536373839F4F6F8FAFC00'X. /* F- */
```

```
:PFNTWTH
DATA =
/* -0-1-2-3-4-5-6-7-8-9-A-B-C-D-E-F */
'48486A6A6A6A6A6A787852F052D378'X /* 4- */
'BB6A6A6A6A43434343785278785252D3'X /* 5- */
'5252ADADADADADADA3B27852D378F06A'X /* 6- */
'789595959552525252785278D352D36E'X /* 7- */
'AD6A786A786A527878436060787878D3'X /* 8- */
'78437843BB787878785678789E78D378'X /* 9- */
```

```
'86785B437878AD78786A526AB2AD8B78'X /* A- */
'787878AD787878D3D3D3D378787878'X /* B- */
'6AAD95A3B29590ADB2525278787878'X /* C- */
'6A5BA895D8B2AD8BAD9E5678787878'X /* D- */
'52488295B2ADE2ADAD9A56ADADADADAD'X /* E- */
'787878787878787878787856B2B2B278'X. /* F- */
```

```
:PMLGEBCTBL
```

```
EBCDICCP= 258
```

```
ASCIIICP= 3157
```

```
DATA =
```

```
/* -0-1-2-3-4-5-6-7-8-9-A-B-C-D-E-F */
'20208384EEA0C79F87865B2E3C282B21'X /* 4- */
'2682A98985A18C9692E15D242A293B5E'X /* 5- */
'2D2FB68EF1B5C6AC808F7C2C255F3E3F'X /* 6- */
'F390A8D3DED6D79591603A2340273D22'X /* 7- */
'F461626364656667686998E5D0ECFDAD'X /* 8- */
'F86A6B6C6D6E6F70717288E4E7F7F2CF'X /* 9- */
'A57E737475767778797AB8D5D1EDFCB8'X /* A- */
'FAA4BEDDBDF5A7ABA68D9DE3E6F9EF9E'X /* B- */
'7B414243444546474849F09394EAA28B'X /* C- */
'7D4A4B4C4D4E4F505152B7FB819CA3DB'X /* D- */
'5CF6535455565758595AD4E299E8E08A'X /* E- */
'30313233343536373839D2EB9A9BE900'X. /* F- */
```

```
:PFNTWTH
```

```
DATA =
```

```
/* -0-1-2-3-4-5-6-7-8-9-A-B-C-D-E-F */
'48486A6A6A6A6A6A6A787852F052D378'X /* 4- */
'BB6A6A6A6A43434343785278785252D3'X /* 5- */
'5252ADADADADADADA3B27852D378F06A'X /* 6- */
'789595959552525252785278D352D36E'X /* 7- */
'AD6A786A786A527878436060787878D3'X /* 8- */
'78437843BB787878785678789E78D378'X /* 9- */
'86785B437878AD78786A526AB2AD8B78'X /* A- */
'787878AD787878D3D3D3D37878787878'X /* B- */
'6AAD95A3B29590ADB252527878787878'X /* C- */
'6A5BA895D8B2AD8BAD9E567878787878'X /* D- */
'52488295B2ADE2ADAD9A56ADADADADAD'X /* E- */
'787878787878787878787856B2B2B278'X. /* F- */
```

```
:PMLGEBCTBL
```

```
EBCDICCP= 259
```

```
ASCIIICP= 2125
```

```
DATA =
```

```
/* -0-1-2-3-4-5-6-7-8-9-A-B-C-D-E-F */
'20203D2D2B247044A22F00CE3C280021'X /* 4- */
'5CB0FCF90000400000CF00CB5D290000'X /* 5- */
'2D5EC6C5E9D7FCF9FD002700005F3ED5'X /* 6- */
'B6B5BABBC00000C2000025FE23272200'X /* 7- */
'B06162777A65706B6769E0D2E1F5E2E4'X /* 8- */
'00796A786C6D6F716368B32BB400F2F4'X /* 9- */
'EF0072736E2A64767466F0D1F1EC0000'X /* A- */
'00000000000000000000B400CC000000'X /* B- */
'E359245755A4504B00A1EC000000F600'X /* C- */
'F30000585A00A3004348000000B0E8EA'X /* D- */
'FB2052A24E26447D547C3FC80000E5E7'X /* E- */
'30313233343536373839D80000000000'X. /* F- */
```

```
:PFNTWTH
```

```
DATA =
```

```
/* -0-1-2-3-4-5-6-7-8-9-A-B-C-D-E-F */
'48486A6A6A6A6A6A6A787852F052D378'X /* 4- */
'BB6A6A6A6A43434343785278785252D3'X /* 5- */
'5252ADADADADADADA3B27852D378F06A'X /* 6- */
'789595959552525252785278D352D36E'X /* 7- */
'AD6A786A786A527878436060787878D3'X /* 8- */
'78437843BB787878785678789E78D378'X /* 9- */
'86785B437878AD78786A526AB2AD8B78'X /* A- */
```

```

'787878AD787878D3D3D3D37878787878'X /* B- */
'6AAD95A3B29590ADB252527878787878'X /* C- */
'6A5BA895D8B2AD8BAD9E567878787878'X /* D- */
'52488295B2ADE2ADAD9A56ADADADADAD'X /* E- */
'787878787878787878787856B2B2B278'X. /* F- */

:PMLGEBCTBL
EBCDICCP= 260
ASCIIICP= 3157
DATA =
/* -0-1-2-3-4-5-6-7-8-9-A-B-C-D-E-F */
'2020838485A0C68687A45B2E3C282B21'X /* 4- */
'268288898AA18C8B8DE15D242A293B5E'X /* 5- */
'2D2FB68EB7B5C78F80A5DD2C255F3E3F'X /* 6- */
'9B90D2D3D4D6D7D8DE603A2340273D22'X /* 7- */
'9D616263646566676869AEAFD0ECE7F1'X /* 8- */
'F86A6B6C6D6E6F707172A6A791F792CF'X /* 9- */
'E67E737475767778797AADA8D1EDE8A9'X /* A- */
'BD9CBEFA9FF5F4ACABF3AA7CEEF9EFF2'X /* B- */
'7B414243444546474849F0939495A2E4'X /* C- */
'7D4A4B4C4D4E4F505152D5968197A398'X /* D- */
'5C20535455565758595AFDE299E3E0E5'X /* E- */
'30313233343536373839FCEA9AEBE900'X. /* F- */

:PFNTWTH
DATA =
/* -0-1-2-3-4-5-6-7-8-9-A-B-C-D-E-F */
'48486A6A6A6A6A6A6A787852F052D378'X /* 4- */
'BB6A6A6A6A43434343785278785252D3'X /* 5- */
'5252ADADADADADADA3B27852D378F06A'X /* 6- */
'789595959552525252785278D352D36E'X /* 7- */
'AD6A786A786A527878436060787878D3'X /* 8- */
'78437843BB787878785678789E78D378'X /* 9- */
'86785B437878AD78786A526AB2AD8B78'X /* A- */
'787878AD787878D3D3D37878787878'X /* B- */
'6AAD95A3B29590ADB252527878787878'X /* C- */
'6A5BA895D8B2AD8BAD9E567878787878'X /* D- */
'52488295B2ADE2ADAD9A56ADADADADAD'X /* E- */
'787878787878787878787856B2B2B278'X. /* F- */

:PMLGEBCTBL
EBCDICCP= 273
ASCIIICP= 3157
DATA =
/* -0-1-2-3-4-5-6-7-8-9-A-B-C-D-E-F */
'2020837B85A0C68687A48E2E3C282B21'X /* 4- */
'26828889BAA18C8B8D7E9A242A293B5E'X /* 5- */
'2D2FB65BB7B5C78F80A5942C255F3E3F'X /* 6- */
'9B90D2D3D4D6D7D8DE603A23F5273D22'X /* 7- */
'9D616263646566676869AEAFD0ECE7F1'X /* 8- */
'F86A6B6C6D6E6F707172A6A791F792CF'X /* 9- */
'E6E1737475767778797AADA8D1EDE8A9'X /* A- */
'BD9CBEFA9F40F4ACABF3AA7CEEF9EFF2'X /* B- */
'84414243444546474849F093D095A2E4'X /* C- */
'814A4B4C4D4E4F505152D5967D97A398'X /* D- */
'9920535455565758595AFDE25CE3E0E5'X /* E- */
'30313233343536373839FCEA5DEBE900'X. /* F- */

:PFNTWTH
DATA =
/* -0-1-2-3-4-5-6-7-8-9-A-B-C-D-E-F */
'48486A6A6A6A6A6A6A787852F052D378'X /* 4- */
'BB6A6A6A6A43434343785278785252D3'X /* 5- */
'5252ADADADADADADA3B27852D378F06A'X /* 6- */
'789595959552525252785278D352D36E'X /* 7- */
'AD6A786A786A527878436060787878D3'X /* 8- */
'78437843BB787878785678789E78D378'X /* 9- */
'86785B437878AD78786A526AB2AD8B78'X /* A- */
'787878AD787878D3D3D37878787878'X /* B- */

```

```
'6AAD95A3B29590ADB252527878787878'X /* C- */
'6A5BA895D8B2AD8BAD9E567878787878'X /* D- */
'52488295B2ADE2ADAD9A56ADADADADAD'X /* E- */
'78787878787878787878787856B2B2B278'X. /* F- */
```

```
:PMLGEBCTBL
```

```
EBCDICCP= 274
```

```
ASCIIICP= 3157
```

```
DATA =
```

```
/* -0-1-2-3-4-5-6-7-8-9-A-B-C-D-E-F */
'2020838440A0C6865CA45B2E3C282B21'X /* 4- */
'267B88897DA18C8B8DE15D242A293B5E'X /* 5- */
'2D2FB68EB7B5C78F80A5972C255F3E3F'X /* 6- */
'9B90D2D3D4D6D7D8DE603A2385273D22'X /* 7- */
'9D616263646566676869AEAFD0ECE7F1'X /* 8- */
'F86A6B6C6D6E6F707172A6A791F792CF'X /* 9- */
'E6F9737475767778797AADA8D1EDE8A9'X /* A- */
'BD9CBEFA9FF5F4ACABF3AA7CEE7EEFF2'X /* B- */
'82414243444546474849F0939495A2E4'X /* C- */
'8A4A4B4C4D4E4F505152D5968197A398'X /* D- */
'8720535455565758595AFDE299E3E0E5'X /* E- */
'30313233343536373839FCEA9AEBE900'X. /* F- */
```

```
:PFNTWTH
```

```
DATA =
```

```
/* -0-1-2-3-4-5-6-7-8-9-A-B-C-D-E-F */
'48486A6A6A6A6A6A6A787852F052D378'X /* 4- */
'BB6A6A6A6A43434343785278785252D3'X /* 5- */
'5252ADADADADADADA3B27852D378F06A'X /* 6- */
'789595959552525252785278D352D36E'X /* 7- */
'AD6A786A786A527878436060787878D3'X /* 8- */
'78437843BB787878785678789E78D378'X /* 9- */
'86785B437878AD78786A526AB2AD8B78'X /* A- */
'787878AD787878D3D3D3D37878787878'X /* B- */
'6AAD95A3B29590ADB252527878787878'X /* C- */
'6A5BA895D8B2AD8BAD9E567878787878'X /* D- */
'52488295B2ADE2ADAD9A56ADADADADAD'X /* E- */
'78787878787878787878787856B2B2B278'X. /* F- */
```

```
:PMLGEBCTBL
```

```
EBCDICCP= 275
```

```
ASCIIICP= 3157
```

```
DATA =
```

```
/* -0-1-2-3-4-5-6-7-8-9-A-B-C-D-E-F */
'2020838485A06086D0A4902E3C282B21'X /* 4- */
'267B8889BAA18C8B8DE124802A293B5E'X /* 5- */
'2D2FB68EB7B5408F5DA5872C255F3E3F'X /* 6- */
'9B5BD2D3D4D6D7D8DEC63AE5C7273D22'X /* 7- */
'9D616263646566676869AEAFD0ECE7F1'X /* 8- */
'F86A6B6C6D6E6F707172A6A791F792CF'X /* 9- */
'E67E737475767778797AADA8D1EDE8A9'X /* A- */
'BD9CBEFA9FF5F4ACABF3AA7CEEF9EEFF2'X /* B- */
'E4414243444546474849F0939495A27B'X /* C- */
'824A4B4C4D4E4F505152D5968197A398'X /* D- */
'5C20535455565758595AFDE299E3E023'X /* E- */
'30313233343536373839FCEA9AEBE900'X. /* F- */
```

```
:PFNTWTH
```

```
DATA =
```

```
/* -0-1-2-3-4-5-6-7-8-9-A-B-C-D-E-F */
'48486A6A6A6A6A6A6A787852F052D378'X /* 4- */
'BB6A6A6A6A43434343785278785252D3'X /* 5- */
'5252ADADADADADADA3B27852D378F06A'X /* 6- */
'789595959552525252785278D352D36E'X /* 7- */
'AD6A786A786A527878436060787878D3'X /* 8- */
'78437843BB787878785678789E78D378'X /* 9- */
'86785B437878AD78786A526AB2AD8B78'X /* A- */
'787878AD787878D3D3D3D37878787878'X /* B- */
'6AAD95A3B29590ADB252527878787878'X /* C- */
```









```

'787878787878787878787856B2B2B278'X.      /* F- */

:PMLGEBCTBL
EBCDICCP= 280
ASCIIICP= 3157
DATA =
/* -0-1-2-3-4-5-6-7-8-9-A-B-C-D-E-F */
'202083847BA0C6865CA4F82E3C282B21'X      /* 4- */
'265D88897DA18C8B7EE182242A293B5E'X      /* 5- */
'2D2FB68EB7B5C78F80A5952C255F3E3F'X      /* 6- */
'9B90D2D3D4D6D7D8DE973A9CF5273D22'X      /* 7- */
'9D616263646566676869AEAFD0ECE7F1'X      /* 8- */
'5B6A6B6C6D6E6F707172A6A791F792CF'X      /* 9- */
'E68D737475767778797AADA8D1EDE8A9'X      /* A- */
'BD23BEFA9F40F4ACABF3AA7CEEF9EFF2'X      /* B- */
'85414243444546474849F09394D0A2E4'X      /* C- */
'8A4A4B4C4D4E4F505152D5968160A398'X      /* D- */
'8720535455565758595AFDE299E3E0E5'X      /* E- */
'30313233343536373839FCEA9AEBE900'X.      /* F- */

:PFNTWTH
DATA =
/* -0-1-2-3-4-5-6-7-8-9-A-B-C-D-E-F */
'48486A6A6A6A6A6A6A787852F052D378'X      /* 4- */
'BB6A6A6A6A43434343785278785252D3'X      /* 5- */
'5252ADADADADADADA3B27852D378F06A'X      /* 6- */
'789595959552525252785278D352D36E'X      /* 7- */
'AD6A786A786A527878436060787878D3'X      /* 8- */
'78437843BB787878785678789E78D378'X      /* 9- */
'86785B437878AD78786A526AB2AD8B78'X      /* A- */
'787878AD787878D3D3D3D37878787878'X      /* B- */
'6AAD95A3B29590ADB252527878787878'X      /* C- */
'6A5BA895D8B2AD8BAD9E567878787878'X      /* D- */
'52488295B2ADE2ADAD9A56ADADADADAD'X      /* E- */
'787878787878787878787856B2B2B278'X.      /* F- */

:PMLGEBCTBL
EBCDICCP= 281
ASCIIICP= 3157
DATA =
/* -0-1-2-3-4-5-6-7-8-9-A-B-C-D-E-F */
'2020838485A0C68687A49C2E3C282B7C'X      /* 4- */
'26828889BAA18C8B8DE121BE2A293BAA'X      /* 5- */
'2D2FB68EB7B5C78F80A5DD2C255F3E3F'X      /* 6- */
'9B90D2D3D4D6D7D8DE603A2340273D22'X      /* 7- */
'9D616263646566676869AEAFD0ECE7F1'X      /* 8- */
'F86A6B6C6D6E6F707172A6A791F792CF'X      /* 9- */
'E6EE737475767778797AADA8D1EDE8A9'X      /* A- */
'BD5B5CFA9FF5F4ACABF35E5D7EF9EFF2'X      /* B- */
'7B414243444546474849F0939495A2E4'X      /* C- */
'7D4A4B4C4D4E4F505152D5968197A398'X      /* D- */
'2420535455565758595AFDE299E3E0E5'X      /* E- */
'30313233343536373839FCEA9AEBE900'X.      /* F- */

:PFNTWTH
DATA =
/* -0-1-2-3-4-5-6-7-8-9-A-B-C-D-E-F */
'48486A6A6A6A6A6A6A787852F052D378'X      /* 4- */
'BB6A6A6A6A43434343785278785252D3'X      /* 5- */
'5252ADADADADADADA3B27852D378F06A'X      /* 6- */
'789595959552525252785278D352D36E'X      /* 7- */
'AD6A786A786A527878436060787878D3'X      /* 8- */
'78437843BB787878785678789E78D378'X      /* 9- */
'86785B437878AD78786A526AB2AD8B78'X      /* A- */
'787878AD787878D3D3D3D37878787878'X      /* B- */
'6AAD95A3B29590ADB252527878787878'X      /* C- */
'6A5BA895D8B2AD8BAD9E567878787878'X      /* D- */
'52488295B2ADE2ADAD9A56ADADADADAD'X      /* E- */
'787878787878787878787856B2B2B278'X.      /* F- */

```

```

:PMLGEBCTBL
EBCDICCP= 282
ASCII CP= 3157
DATA =
/* -0-1-2-3-4-5-6-7-8-9-A-B-C-D-E-F */
'2020838485A07B867EA45B2E3C282B21'X /* 4- */
'26828889BAA18C8B8DE15D242A293B5E'X /* 5- */
'2D2FB68EB7B5238F5CA5E42C255F3E3F'X /* 6- */
'9B90D2D3D4D6D7D8DE603AC7E5273D22'X /* 7- */
'9D616263646566676869AEAFD0ECE7F1'X /* 8- */
'F86A6B6C6D6E6F707172A6A791F792CF'X /* 9- */
'E687737475767778797AADA8D1EDE8A9'X /* A- */
'BD9CBEFA9FF5F4ACABF3AA7CEEF9EFF2'X /* B- */
'C6414243444546474849F0939495A2D0'X /* C- */
'EF4A4B4C4D4E4F505152D5968197A398'X /* D- */
'8020535455565758595AFDE299E3E040'X /* E- */
'30313233343536373839FCEA9AEBE900'X. /* F- */

```

```

:PFNTWTH
DATA =
/* -0-1-2-3-4-5-6-7-8-9-A-B-C-D-E-F */
'48486A6A6A6A6A6A6A787852F052D378'X /* 4- */
'BB6A6A6A6A43434343785278785252D3'X /* 5- */
'5252ADADADADADADA3B27852D378F06A'X /* 6- */
'789595959552525252785278D352D36E'X /* 7- */
'AD6A786A786A5278784360607878D3'X /* 8- */
'78437843BB787878785678789E78D378'X /* 9- */
'86785B437878AD78786A526AB2AD8B78'X /* A- */
'787878AD787878D3D3D37878787878'X /* B- */
'6AAD95A3B29590ADB252527878787878'X /* C- */
'6A5BA895D8B2AD8BAD9E567878787878'X /* D- */
'52488295B2ADE2ADAD9A56ADADADADAD'X /* E- */
'7878787878787878787856B2B2B278'X. /* F- */

```

```

:PMLGEBCTBL
EBCDICCP= 283
ASCII CP= 3157
DATA =
/* -0-1-2-3-4-5-6-7-8-9-A-B-C-D-E-F */
'2020838485A0C68687D05B2E3C282B7C'X /* 4- */
'26828889BAA18C8B8DE15D502A293BAA'X /* 5- */
'2D2FB68EB7B5C78F8023A42C255F3E3F'X /* 6- */
'9B90D2D3D4D6D7D8DE603AA540273D22'X /* 7- */
'9D616263646566676869AEAFD0ECE7F1'X /* 8- */
'F86A6B6C6D6E6F707172A6A791F792CF'X /* 9- */
'E6F9737475767778797AADA8D1EDE8A9'X /* A- */
'BD9CBEFA9FF5F4ACABF35E21EE7EEFF2'X /* B- */
'7B414243444546474849F0939495A2E4'X /* C- */
'7D4A4B4C4D4E4F505152D5968197A398'X /* D- */
'5C20535455565758595AFDE299E3E0E5'X /* E- */
'30313233343536373839FCEA9AEBE900'X. /* F- */

```

```

:PFNTWTH
DATA =
/* -0-1-2-3-4-5-6-7-8-9-A-B-C-D-E-F */
'48486A6A6A6A6A6A6A787852F052D378'X /* 4- */
'BB6A6A6A6A43434343785278785252D3'X /* 5- */
'5252ADADADADADADA3B27852D378F06A'X /* 6- */
'789595959552525252785278D352D36E'X /* 7- */
'AD6A786A786A5278784360607878D3'X /* 8- */
'78437843BB787878785678789E78D378'X /* 9- */
'86785B437878AD78786A526AB2AD8B78'X /* A- */
'787878AD787878D3D3D37878787878'X /* B- */
'6AAD95A3B29590ADB252527878787878'X /* C- */
'6A5BA895D8B2AD8BAD9E567878787878'X /* D- */
'52488295B2ADE2ADAD9A56ADADADADAD'X /* E- */
'7878787878787878787856B2B2B278'X. /* F- */

```

```

:PMLGEBCTBL
EBCDICCP= 284
ASCII CP= 3157
DATA =
/* -0-1-2-3-4-5-6-7-8-9-A-B-C-D-E-F */
'2020838485A0C68687D05B2E3C282B7C'X /* 4- */
'26828889BAA18C8B8DE15D242A293BAA'X /* 5- */
'2D2FB68EB7B5C78F8023A42C255F3E3F'X /* 6- */
'9B90D2D3D4D6D7D8DE603AA540273D22'X /* 7- */
'9D616263646566676869AEAFD0ECE7F1'X /* 8- */
'F86A6B6C6D6E6F707172A6A791F792CF'X /* 9- */
'E6F9737475767778797AADA8D1EDE8A9'X /* A- */
'BD9CBEFA9FF5F4ACABF35E21EE7EEFF2'X /* B- */
'7B414243444546474849F0939495A2E4'X /* C- */
'7D4A4B4C4D4E4F505152D5968197A398'X /* D- */
'5C20535455565758595AFDE299E3E0E5'X /* E- */
'30313233343536373839FCEA9AEBE900'X. /* F- */

:PFNTWTH
DATA =
/* -0-1-2-3-4-5-6-7-8-9-A-B-C-D-E-F */
'48486A6A6A6A6A6A6A787852F052D378'X /* 4- */
'BB6A6A6A6A43434343785278785252D3'X /* 5- */
'5252ADADADADADADA3B27852D378F06A'X /* 6- */
'789595959552525252785278D352D36E'X /* 7- */
'AD6A786A786A5278784360607878D3'X /* 8- */
'78437843BB7878785678789E78D378'X /* 9- */
'86785B437878AD78786A526AB2AD8B78'X /* A- */
'787878AD7878D3D3D3D37878787878'X /* B- */
'6AAD95A3B29590ADB252527878787878'X /* C- */
'6A5BA895D8B2AD8BAD9E567878787878'X /* D- */
'52488295B2ADE2ADAD9A56ADADADADAD'X /* E- */
'7878787878787878787856B2B2B278'X. /* F- */

:PMLGEBCTBL
EBCDICCP= 285
ASCII CP= 3157
DATA =
/* -0-1-2-3-4-5-6-7-8-9-A-B-C-D-E-F */
'2020838485A0C68687A4242E3C282B7C'X /* 4- */
'26828889BAA18C8B8DE1219C2A293BAA'X /* 5- */
'2D2FB68EB7B5C78F80A5DD2C255F3E3F'X /* 6- */
'9B90D2D3D4D6D7D8DE603A2340273D22'X /* 7- */
'9D616263646566676869AEAFD0ECE7F1'X /* 8- */
'F86A6B6C6D6E6F707172A6A791F792CF'X /* 9- */
'E6EE737475767778797AADA8D1EDE8A9'X /* A- */
'BD5BBEFA9FF5F4ACABF35E5D7EF9EFF2'X /* B- */
'7B414243444546474849F0939495A2E4'X /* C- */
'7D4A4B4C4D4E4F505152D5968197A398'X /* D- */
'5C20535455565758595AFDE299E3E0E5'X /* E- */
'30313233343536373839FCEA9AEBE900'X. /* F- */

:PFNTWTH
DATA =
/* -0-1-2-3-4-5-6-7-8-9-A-B-C-D-E-F */
'48486A6A6A6A6A6A6A787852F052D378'X /* 4- */
'BB6A6A6A6A43434343785278785252D3'X /* 5- */
'5252ADADADADADADA3B27852D378F06A'X /* 6- */
'789595959552525252785278D352D36E'X /* 7- */
'AD6A786A786A5278784360607878D3'X /* 8- */
'78437843BB7878785678789E78D378'X /* 9- */
'86785B437878AD78786A526AB2AD8B78'X /* A- */
'787878AD7878D3D3D3D37878787878'X /* B- */
'6AAD95A3B29590ADB252527878787878'X /* C- */
'6A5BA895D8B2AD8BAD9E567878787878'X /* D- */
'52488295B2ADE2ADAD9A56ADADADADAD'X /* E- */
'7878787878787878787856B2B2B278'X. /* F- */

:PMLGEBCTBL

```

```

EBCDICCP= 290
ASCIIICP= 3157
DATA =
/* -0-1-2-3-4-5-6-7-8-9-A-B-C-D-E-F */
'20A1A2A3A4A5A6A7A8A9E12E3C282B7C'X /* 4- */
'26AAABACADAEAF00B000215C2A293BE3'X /* 5- */
'2D2F000000000000000002C255F3E3F'X /* 6- */
'000000000000000000003A2340273D22'X /* 7- */
'00B1B2B3B4B5B6B7B8B9BA00BBBCBDBE'X /* 8- */
'BFC0C1C2C3C4C5C6C7C8C90000CACBCC'X /* 9- */
'007ECDCECFD0D1D2D3D4D500D6D7D8D9'X /* A- */
'00000000000000000000DADBDCDDDEDF'X /* B- */
'7B414243444546474849000000000000'X /* C- */
'004A4B4C4D4E4F505152000000000000'X /* D- */
'2420535455565758595A000000000000'X /* E- */
'30313233343536373839000000000000'X. /* F- */

```

```

:PFNTWTH
DATA =
/* -0-1-2-3-4-5-6-7-8-9-A-B-C-D-E-F */
'48486A6A6A6A6A6A6A787852F052D378'X /* 4- */
'BB6A6A6A6A43434343785278785252D3'X /* 5- */
'5252ADADADADADADA3B27852D378F06A'X /* 6- */
'789595959552525252785278D352D36E'X /* 7- */
'AD6A786A786A5278784360607878D3'X /* 8- */
'78437843BB787878785678789E78D378'X /* 9- */
'86785B437878AD78786A526AB2AD8B78'X /* A- */
'787878AD787878D3D3D3D378787878'X /* B- */
'6AAD95A3B29590ADB2525278787878'X /* C- */
'6A5BA895D8B2AD8BAD9E5678787878'X /* D- */
'52488295B2ADE2ADAD9A56ADADADADAD'X /* E- */
'787878787878787878787856B2B2B278'X. /* F- */

```

```

:PMLGEBCTBL
EBCDICCP= 293
ASCIIICP= 3157
DATA =
/* -0-1-2-3-4-5-6-7-8-9-A-B-C-D-E-F */
'2020838485A0C68687A45B2E3C282B21'X /* 4- */
'268288898AA18C8B8DE15D242A293B5E'X /* 5- */
'2D2FB68EB7B5C78F80A5DD2C255F3E3F'X /* 6- */
'9B90D2D3D4D6D7D8DE603A2340273D22'X /* 7- */
'9D616263646566676869AEAFD0ECE7F1'X /* 8- */
'F86A6B6C6D6E6F707172A6A791F792CF'X /* 9- */
'E67E737475767778797AADA8D1EDE8A9'X /* A- */
'BD9CBEFA9FF5F4ACABF3AA7CEEF9EFF2'X /* B- */
'7B414243444546474849F0939495A2E4'X /* C- */
'7D4A4B4C4D4E4F505152D5968197A398'X /* D- */
'5C20535455565758595AFDE299E3E0E5'X /* E- */
'30313233343536373839FCEA9AEBE900'X. /* F- */

```

```

:PFNTWTH
DATA =
/* -0-1-2-3-4-5-6-7-8-9-A-B-C-D-E-F */
'48486A6A6A6A6A6A6A787852F052D378'X /* 4- */
'BB6A6A6A6A43434343785278785252D3'X /* 5- */
'5252ADADADADADADA3B27852D378F06A'X /* 6- */
'789595959552525252785278D352D36E'X /* 7- */
'AD6A786A786A5278784360607878D3'X /* 8- */
'78437843BB787878785678789E78D378'X /* 9- */
'86785B437878AD78786A526AB2AD8B78'X /* A- */
'787878AD787878D3D3D3D378787878'X /* B- */
'6AAD95A3B29590ADB2525278787878'X /* C- */
'6A5BA895D8B2AD8BAD9E5678787878'X /* D- */
'52488295B2ADE2ADAD9A56ADADADADAD'X /* E- */
'787878787878787878787856B2B2B278'X. /* F- */

```

```

:PMLGEBCTBL
EBCDICCP= 297

```

```

ASCIIICP= 3157
DATA =
/* -0-1-2-3-4-5-6-7-8-9-A-B-C-D-E-F */
'2020838440A0C6865CA4F82E3C282B21'X /* 4- */
'267B88897DA18C8B8DE1F5242A293B5E'X /* 5- */
'2D2FB68EB7B5C78F80A5972C255F3E3F'X /* 6- */
'9B90D2D3D4D6D7D8DEE63A9C85273D22'X /* 7- */
'9D616263646566676869AEAFD0ECE7F1'X /* 8- */
'5B6A6B6C6D6E6F707172A6A791F792CF'X /* 9- */
'60F9737475767778797AADA8D1EDE8A9'X /* A- */
'BD23BEFA9F5DF4ACABF3AA7CEE7EEFF2'X /* B- */
'82414243444546474849F0939495A2E4'X /* C- */
'8A4A4B4C4D4E4F505152D59681D0A398'X /* D- */
'8720535455565758595AFDE299E3E0E5'X /* E- */
'30313233343536373839FCEA9AEBE900'X. /* F- */

```

```

:PFNTWTH
DATA =
/* -0-1-2-3-4-5-6-7-8-9-A-B-C-D-E-F */
'48486A6A6A6A6A6A6A787852F052D378'X /* 4- */
'BB6A6A6A6A43434343785278785252D3'X /* 5- */
'5252ADADADADADADA3B27852D378F06A'X /* 6- */
'789595959552525252785278D352D36E'X /* 7- */
'AD6A786A786A527878436060787878D3'X /* 8- */
'78437843BB787878785678789E78D378'X /* 9- */
'86785B437878AD78786A526AB2AD8B78'X /* A- */
'787878AD787878D3D3D37878787878'X /* B- */
'6AAD95A3B29590ADB252527878787878'X /* C- */
'6A5BA895D8B2AD8BAD9E567878787878'X /* D- */
'52488295B2ADE2ADAD9A56ADADADADAD'X /* E- */
'787878787878787878787856B2B2B278'X. /* F- */

```

```

:PMLGEBCTBL
EBCDICCP= 310
ASCIIICP= 3157
DATA =
/* -0-1-2-3-4-5-6-7-8-9-A-B-C-D-E-F */
'2020838485A0C68687A45B2E3C282B21'X /* 4- */
'268288898AA18C8B8DE15D242A293B5E'X /* 5- */
'2D2FB68EB7B5C78F80A5DD2C255F3E3F'X /* 6- */
'9B90D2D3D4D6D7D8DE603A2340273D22'X /* 7- */
'9D616263646566676869AEAFD0ECE7F1'X /* 8- */
'F86A6B6C6D6E6F707172A6A791F792CF'X /* 9- */
'E67E737475767778797AADA8D1EDE8A9'X /* A- */
'BD9CBEFA9FF5F4ACABF3AA7CEE99EFF2'X /* B- */
'7B414243444546474849F0939495A2E4'X /* C- */
'7D4A4B4C4D4E4F505152D5968197A398'X /* D- */
'5C20535455565758595AFDE299E3E0E5'X /* E- */
'30313233343536373839FCEA9AEBE900'X. /* F- */

```

```

:PFNTWTH
DATA =
/* -0-1-2-3-4-5-6-7-8-9-A-B-C-D-E-F */
'48486A6A6A6A6A6A6A787852F052D378'X /* 4- */
'BB6A6A6A6A43434343785278785252D3'X /* 5- */
'5252ADADADADADADA3B27852D378F06A'X /* 6- */
'789595959552525252785278D352D36E'X /* 7- */
'AD6A786A786A527878436060787878D3'X /* 8- */
'78437843BB787878785678789E78D378'X /* 9- */
'86785B437878AD78786A526AB2AD8B78'X /* A- */
'787878AD787878D3D3D37878787878'X /* B- */
'6AAD95A3B29590ADB252527878787878'X /* C- */
'6A5BA895D8B2AD8BAD9E567878787878'X /* D- */
'52488295B2ADE2ADAD9A56ADADADADAD'X /* E- */
'787878787878787878787856B2B2B278'X. /* F- */

```

```

:PMLGEBCTBL
EBCDICCP= 330
ASCIIICP= 3157

```

```

DATA =
/* -0-1-2-3-4-5-6-7-8-9-A-B-C-D-E-F */
'2020838461A0C79F87865B2E3C282B21'X      /* 4- */
'2682A98985A18C9692E15D242A293B5E'X      /* 5- */
'2D2FB68E41B5C6AC808FD82C255F3E3F'X      /* 6- */
'F390A8D3DED6D79591603A2340273D22'X      /* 7- */
'F461626364656667686998E5D0ECFDAD'X      /* 8- */
'F86A6B6C6D6E6F70717288E4E7F72CF'X      /* 9- */
'A5F1737475767778797AB8D5D1EDFCB8'X      /* A- */
'FA4CBEDDBDF5A7ABA68D9DE3E6F9EFEE'X      /* B- */
'D4414243444546474849F09394EAA28B'X      /* C- */
'D24A4B4C4D4E4F505152B7FB819CA379'X      /* D- */
'A420535455565758595A32E299E8E08A'X      /* E- */
'3031323334353637383933EB9A9BE900'X      /* F- */

```

```

:PFNTWTH
DATA =
/* -0-1-2-3-4-5-6-7-8-9-A-B-C-D-E-F */
'48486A6A6A6A6A6A6A787852F052D378'X      /* 4- */
'BB6A6A6A6A43434343785278785252D3'X      /* 5- */
'5252ADADADADADADA3B27852D378F06A'X      /* 6- */
'789595959552525252785278D352D36E'X      /* 7- */
'AD6A786A786A5278784360607878D3'X      /* 8- */
'78437843BB7878785678789E78D378'X      /* 9- */
'86785B437878AD78786A526AB2AD8B78'X      /* A- */
'787878AD7878D3D3D3D37878787878'X      /* B- */
'6AAD95A3B29590ADB2525278787878'X      /* C- */
'6A5BA895D8B2AD8BAD9E5678787878'X      /* D- */
'52488295B2ADE2ADAD9A56ADADADADAD'X      /* E- */
'7878787878787878787856B2B2B278'X      /* F- */

```

```

:PMLGEBCTBL
EBCDICCP= 340
ASCIIICP= 3157
DATA =
/* -0-1-2-3-4-5-6-7-8-9-A-B-C-D-E-F */
'2020838485A0C68687A45B2E3C282B21'X      /* 4- */
'268288898AA18C8B8DE15D242A293B5E'X      /* 5- */
'2D2FB68EB7B5C78F80A5DD2C255F3E3F'X      /* 6- */
'9B90D2D3D4D6D7C4DE603A2340273D22'X      /* 7- */
'A7616263646566676869AEAFD0ECE7F1'X      /* 8- */
'F86A6B6C6D6E6F707172A6A791F792CF'X      /* 9- */
'E67E737475767778797AADA8D1EDE8A9'X      /* A- */
'BD9C9DFAB8F5F4ACABF3AA7CEEF9EFDB'X      /* B- */
'7B4142434445464748492D609495A2E4'X      /* C- */
'7D4A4B4C4D4E4F505152FB7E8197A35E'X      /* D- */
'5CF6535455565758595AFD5F99E3E0E5'X      /* E- */
'30313233343536373839FCEA9AEBE900'X      /* F- */

```

```

:PFNTWTH
DATA =
/* -0-1-2-3-4-5-6-7-8-9-A-B-C-D-E-F */
'48486A6A6A6A6A6A6A787852F052D378'X      /* 4- */
'BB6A6A6A6A43434343785278785252D3'X      /* 5- */
'5252ADADADADADADA3B27852D378F06A'X      /* 6- */
'789595959552525252785278D352D36E'X      /* 7- */
'AD6A786A786A5278784360607878D3'X      /* 8- */
'78437843BB7878785678789E78D378'X      /* 9- */
'86785B437878AD78786A526AB2AD8B78'X      /* A- */
'787878AD7878D3D3D3D37878787878'X      /* B- */
'6AAD95A3B29590ADB252527878787878'X      /* C- */
'6A5BA895D8B2AD8BAD9E567878787878'X      /* D- */
'52488295B2ADE2ADAD9A56ADADADADAD'X      /* E- */
'7878787878787878787856B2B2B278'X      /* F- */

```

```

:PMLGEBCTBL
EBCDICCP= 420
ASCIIICP= 3157
DATA =

```

```

/* -0-1-2-3-4-5-6-7-8-9-A-B-C-D-E-F */
'2020F1F0E09FC1C2A2C3C02E3C282B7C'X /* 4- */
'26A5C40000C6C7A8A9C821242A293BDC'X /* 5- */
'2D2FC9AACABCBADCCAE7C2C255F3E3F'X /* 6- */
'CDFCECFD0D1D2BCD3AC3A2340273D22'X /* 7- */
'BD616263646566676869D4BED5EBD6D7'X /* 8- */
'D86A6B6C6D6E6F707172DFC5D9ECEEEED'X /* 9- */
'DADD737475767778797AF7BAE1F8E2FC'X /* A- */
'E3FBF9FA999A00009D9EE4EFE5F2E6F3'X /* B- */
'BB414243444546474849A1E700F400E8'X /* C- */
'BF4A4B4C4D4E4F505152E9F5FDF6EAB0'X /* D- */
'DEF6535455565758595AB1B200B3B4B5'X /* E- */
'3031323334353637383900B6B7B8B900'X. /* F- */

```

:PFNTWTH

DATA =

```

/* -0-1-2-3-4-5-6-7-8-9-A-B-C-D-E-F */
'48486A6A6A6A6A6A787852F052D378'X /* 4- */
'BB6A6A6A6A43434343785278785252D3'X /* 5- */
'5252ADADADADADADA3B27852D378F06A'X /* 6- */
'7895959595525252785278D352D36E'X /* 7- */
'AD6A786A786A5278784360607878D3'X /* 8- */
'78437843BB7878785678789E78D378'X /* 9- */
'86785B437878AD78786A526AB2AD8B78'X /* A- */
'787878AD7878D3D3D3D37878787878'X /* B- */
'6AAD95A3B29590ADB2525278787878'X /* C- */
'6A5BA895D8B2AD8BAD9E5678787878'X /* D- */
'52488295B2ADE2ADAD9A56ADADADADAD'X /* E- */
'7878787878787878787856B2B2B278'X. /* F- */

```

:PMLGEBCTBL

EBCDICCP= 423

ASCIIICP= 3157

DATA =

```

/* -0-1-2-3-4-5-6-7-8-9-A-B-C-D-E-F */
'20A4A5A6A7A8A9AACAD5B2E3C282B21'X /* 4- */
'26B5B6B7B8BDBEC6C7CF5D242A293B5E'X /* 5- */
'2D2FD0D1D2D3D4D500007C2C255F3E3F'X /* 6- */
'00868D8F0090929598603A9CF5273D22'X /* 7- */
'8E616263646566676869D6D7D8DDDEE0'X /* 8- */
'996A6B6C6D6E6F707172E1E2E3E4E5E6'X /* 9- */
'9AF9737475767778797AE7E8E9EAEBEC'X /* A- */
'009B9D9EA09FA2A3FBFDEDEF2F3F4F6'X /* B- */
'F7414243444546474849F0FA83858488'X /* C- */
'EF4A4B4C4D4E4F505152F1828A898C8B'X /* D- */
'F820535455565758595AAB9493969781'X /* E- */
'30313233343536373839798780000000'X. /* F- */

```

:PFNTWTH

DATA =

```

/* -0-1-2-3-4-5-6-7-8-9-A-B-C-D-E-F */
'48486A6A6A6A6A6A787852F052D378'X /* 4- */
'BB6A6A6A6A43434343785278785252D3'X /* 5- */
'5252ADADADADADADA3B27852D378F06A'X /* 6- */
'7895959595525252785278D352D36E'X /* 7- */
'AD6A786A786A5278784360607878D3'X /* 8- */
'78437843BB7878785678789E78D378'X /* 9- */
'86785B437878AD78786A526AB2AD8B78'X /* A- */
'787878AD7878D3D3D3D37878787878'X /* B- */
'6AAD95A3B29590ADB2525278787878'X /* C- */
'6A5BA895D8B2AD8BAD9E5678787878'X /* D- */
'52488295B2ADE2ADAD9A56ADADADADAD'X /* E- */
'7878787878787878787856B2B2B278'X. /* F- */

```

:PMLGEBCTBL

EBCDICCP= 424

ASCIIICP= 3157

DATA =

```

/* -0-1-2-3-4-5-6-7-8-9-A-B-C-D-E-F */

```



```
'208081828384858687889B2E3C282B7C'X /* 4- */
'26898A8B8C8D8E8F909121242A293BAA'X /* 5- */
'2D2F92939495969798997C2C255F3E3F'X /* 6- */
'009A0000200000005F603A2340273D22'X /* 7- */
'00616263646566676869AEAF000000F1'X /* 8- */
'F86A6B6C6D6E6F707172000000000000'X /* 9- */
'E67E737475767778797A000000000052'X /* A- */
'5E9C9DF900F5F4ACAB005B5D2D000078'X /* B- */
'7B4142434445464748492D0000000000'X /* C- */
'7D4A4B4C4D4E4F505152000000000000'X /* D- */
'5CF6535455565758595AFD0000000000'X /* E- */
'30313233343536373839000000000000'X. /* F- */
```

```
:PFNTWTH
DATA =
/* -0-1-2-3-4-5-6-7-8-9-A-B-C-D-E-F */
'48486A6A6A6A6A6A6A787852F052D378'X /* 4- */
'BB6A6A6A6A43434343785278785252D3'X /* 5- */
'5252ADADADADADADA3B27852D378F06A'X /* 6- */
'789595959552525252785278D352D36E'X /* 7- */
'AD6A786A786A5278784360607878D3'X /* 8- */
'78437843BB787878785678789E78D378'X /* 9- */
'86785B437878AD78786A526AB2AD8B78'X /* A- */
'787878AD787878D3D3D37878787878'X /* B- */
'6AAD95A3B29590ADB252527878787878'X /* C- */
'6A5BA895D8B2AD8BAD9E567878787878'X /* D- */
'52488295B2ADE2ADAD9A56ADADADADAD'X /* E- */
'787878787878787878787856B2B2B278'X. /* F- */
```

```
:PMLGEBCTBL
EBCDICCP= 500
ASCII CP= 3157
DATA =
/* -0-1-2-3-4-5-6-7-8-9-A-B-C-D-E-F */
'2020838485A0C68687A45B2E3C282B21'X /* 4- */
'268288898AA18C8B8DE15D242A293B5E'X /* 5- */
'2D2FB68EB7B5C78F80A5DD2C255F3E3F'X /* 6- */
'9B90D2D3D4D6D7D8DE603A2340273D22'X /* 7- */
'9D616263646566676869AEAFD0ECE7F1'X /* 8- */
'F86A6B6C6D6E6F707172A6A791F792CF'X /* 9- */
'E67E737475767778797AADA8D1EDE8A9'X /* A- */
'BD9CBEFA9FF5F4ACABF3AA7CEEF9EFF2'X /* B- */
'7B414243444546474849F0939495A2E4'X /* C- */
'7D4A4B4C4D4E4F505152D5968197A398'X /* D- */
'5C20535455565758595AFDE299E3E0E5'X /* E- */
'30313233343536373839FCEA9AEBE900'X. /* F- */
```

```
:PFNTWTH
DATA =
/* -0-1-2-3-4-5-6-7-8-9-A-B-C-D-E-F */
'48486A6A6A6A6A6A6A787852F052D378'X /* 4- */
'BB6A6A6A6A43434343785278785252D3'X /* 5- */
'5252ADADADADADADA3B27852D378F06A'X /* 6- */
'789595959552525252785278D352D36E'X /* 7- */
'AD6A786A786A5278784360607878D3'X /* 8- */
'78437843BB787878785678789E78D378'X /* 9- */
'86785B437878AD78786A526AB2AD8B78'X /* A- */
'787878AD787878D3D3D37878787878'X /* B- */
'6AAD95A3B29590ADB252527878787878'X /* C- */
'6A5BA895D8B2AD8BAD9E567878787878'X /* D- */
'52488295B2ADE2ADAD9A56ADADADADAD'X /* E- */
'787878787878787878787856B2B2B278'X. /* F- */
```

```
:PMLGEBCTBL
EBCDICCP= 870
ASCII CP= 3157
DATA =
/* -0-1-2-3-4-5-6-7-8-9-A-B-C-D-E-F */
'20208384EEA0C79F87865B2E3C282B21'X /* 4- */
```



```

'2682A98985A18C9692E15D242A293B5E'X /* 5- */
'2D2FB68EF1B5C6AC808F7C2C255F3E3F'X /* 6- */
'F390A8D3DED6D79591603A2340273D22'X /* 7- */
'F461626364656667686998E5D0ECFDAD'X /* 8- */
'F86A6B6C6D6E6F70717288E4E7F72CF'X /* 9- */
'A57E737475767778797AB8D5D1EDFCB8'X /* A- */
'FAA4BEDDBDF5A7ABA68D9DE3E6F9EF9E'X /* B- */
'7B414243444546474849F09394EAA28B'X /* C- */
'7D4A4B4C4D4E4F505152B7FB819CA3DB'X /* D- */
'5CF6535455565758595AD4E299E8E08A'X /* E- */
'30313233343536373839D2EB9A9BE900'X. /* F- */
:PFNTWTH
DATA =
/* -0-1-2-3-4-5-6-7-8-9-A-B-C-D-E-F */
'48486A6A6A6A6A6A6A787852F052D378'X /* 4- */
'BB6A6A6A6A43434343785278785252D3'X /* 5- */
'5252ADADADADADADA3B27852D378F06A'X /* 6- */
'789595959552525252785278D352D36E'X /* 7- */
'AD6A786A786A5278784360607878D3'X /* 8- */
'78437843BB7878785678789E78D378'X /* 9- */
'86785B437878AD78786A526AB2AD8B78'X /* A- */
'787878AD7878D3D3D3D37878787878'X /* B- */
'6AAD95A3B29590ADB252527878787878'X /* C- */
'6A5BA895D8B2AD8BAD9E567878787878'X /* D- */
'52488295B2ADE2ADAD9A56ADADADADAD'X /* E- */
'7878787878787878787856B2B2B278'X. /* F- */

:PMLGEBCTBL
EBCDICCP= 871
ASCII CP= 3157
DATA =
/* -0-1-2-3-4-5-6-7-8-9-A-B-C-D-E-F */
'2020838485A0C68687A4E82E3C282B21'X /* 4- */
'268288898AA18C8B8DE192242A293B99'X /* 5- */
'2D2FB68EB7B5C78F80A5DD2C255F3E3F'X /* 6- */
'9B90D2D3D4D6D7D8DED03A23D1273D22'X /* 7- */
'9D616263646566676869AEAF60EC7BF1'X /* 8- */
'F86A6B6C6D6E6F707172A6A77DF75DCF'X /* 9- */
'E694737475767778797AADA840ED5BA9'X /* A- */
'BD9CBFAFB8F5F4ACABF3AA7CEEF95C9E'X /* B- */
'E7414243444546474849F0937E95A2E4'X /* C- */
'914A4B4C4D4E4F505152FB968197A398'X /* D- */
'EFF6535455565758595AFDE25EE3E0E5'X /* E- */
'30313233343536373839FCEA9AEBE900'X. /* F- */

:PFNTWTH
DATA =
/* -0-1-2-3-4-5-6-7-8-9-A-B-C-D-E-F */
'48486A6A6A6A6A6A6A787852F052D378'X /* 4- */
'BB6A6A6A6A43434343785278785252D3'X /* 5- */
'5252ADADADADADADA3B27852D378F06A'X /* 6- */
'789595959552525252785278D352D36E'X /* 7- */
'AD6A786A786A5278784360607878D3'X /* 8- */
'78437843BB7878785678789E78D378'X /* 9- */
'86785B437878AD78786A526AB2AD8B78'X /* A- */
'787878AD7878D3D3D3D37878787878'X /* B- */
'6AAD95A3B29590ADB252527878787878'X /* C- */
'6A5BA895D8B2AD8BAD9E567878787878'X /* D- */
'52488295B2ADE2ADAD9A56ADADADADAD'X /* E- */
'7878787878787878787856B2B2B278'X. /* F- */

:PMLGEBCTBL
EBCDICCP= 880
ASCII CP= 3157
DATA =
/* -0-1-2-3-4-5-6-7-8-9-A-B-C-D-E-F */
'202080828486888A8C8E5B2E3C282B21'X /* 4- */
'2690929496989A9EEF815D242A293B5E'X /* 5- */

```

```
'2D2F838587898B8D8F917C2C255F3E3F'X /* 6- */
'9395972D999B9CA0A2603A2340273D22'X /* 7- */
'9A616263646566676869A6A8AAACB5B7'X /* 8- */
'BD6A6B6C6D6E6F707172C6D0D2D4D6D8'X /* 9- */
'DE7E737475767778797AE1E3E5E7E9EB'X /* A- */
'EDF1F3F5F7F9FB9E9DA1A3A5A7A9ABAD'X /* B- */
'7B414243444546474849B6B8BEC7D1D3'X /* C- */
'7D4A4B4C4D4E4F505152D5D7DDE0E2E4'X /* D- */
'5CCF535455565758595AE6E8EAEECEF2'X /* E- */
'30313233343536373839F4F6F8FAFC00'X. /* F- */
```

:PFNTWTH

DATA =

```
/* -0-1-2-3-4-5-6-7-8-9-A-B-C-D-E-F */
'48486A6A6A6A6A6A6A787852F052D378'X /* 4- */
'BB6A6A6A6A43434343785278785252D3'X /* 5- */
'5252ADADADADADADA3B27852D378F06A'X /* 6- */
'789595959552525252785278D352D36E'X /* 7- */
'AD6A786A786A5278784360607878D3'X /* 8- */
'78437843BB787878785678789E78D378'X /* 9- */
'86785B437878AD78786A526AB2AD8B78'X /* A- */
'787878AD7878D3D3D3D37878787878'X /* B- */
'6AAD95A3B29590ADB252527878787878'X /* C- */
'6A5BA895D8B2AD8BAD9E567878787878'X /* D- */
'52488295B2ADE2ADAD9A56ADADADADAD'X /* E- */
'787878787878787878787856B2B2B278'X. /* F- */
```

:PMLGEBCTBL

EBCDICCP= 892

ASCIIICP= 3157

DATA =

```
/* -0-1-2-3-4-5-6-7-8-9-A-B-C-D-E-F */
'20200000000000000005B2E3C282B21'X /* 4- */
'2600000000000000000005D242A293B00'X /* 5- */
'2D2F008E0000008F00A5002C25003E3F'X /* 6- */
'00000000000000C400003A2340273D22'X /* 7- */
'A7616263646566676869000000000000'X /* 8- */
'006A6B6C6D6E6F707172000000009200'X /* 9- */
'0000737475767778797A000000000000'X /* A- */
'009C9D000000000000000007C000000DB'X /* B- */
'7B414243444546474849006000000000'X /* C- */
'7D4A4B4C4D4E4F505152007E0000005E'X /* D- */
'5C20535455565758595A005F99000000'X /* E- */
'3031323334353637383900009A000000'X. /* F- */
```

:PFNTWTH

DATA =

```
/* -0-1-2-3-4-5-6-7-8-9-A-B-C-D-E-F */
'48486A6A6A6A6A6A6A787852F052D378'X /* 4- */
'BB6A6A6A6A43434343785278785252D3'X /* 5- */
'5252ADADADADADADA3B27852D378F06A'X /* 6- */
'789595959552525252785278D352D36E'X /* 7- */
'AD6A786A786A5278784360607878D3'X /* 8- */
'78437843BB787878785678789E78D378'X /* 9- */
'86785B437878AD78786A526AB2AD8B78'X /* A- */
'787878AD7878D3D3D3D37878787878'X /* B- */
'6AAD95A3B29590ADB252527878787878'X /* C- */
'6A5BA895D8B2AD8BAD9E567878787878'X /* D- */
'52488295B2ADE2ADAD9A56ADADADADAD'X /* E- */
'787878787878787878787856B2B2B278'X. /* F- */
```

:PMLGEBCTBL

EBCDICCP= 893

ASCIIICP= 3157

DATA =

```
/* -0-1-2-3-4-5-6-7-8-9-A-B-C-D-E-F */
'202000840000008600005B2E3C282B21'X /* 4- */
'26000000000000000000E15D242A293B5E'X /* 5- */
'2D2F008E0000008F00A5002C255F3E3F'X /* 6- */
```

```

'A6000000000A9C400603A2340273D22'X /* 7- */
'A761626364656667686900000000B9BA'X /* 8- */
'006A6B6C6D6E6F707172000091F792CF'X /* 9- */
'007E737475767778797A000000000000'X /* A- */
'009C9D0000F500000000007C00F9EFDB'X /* B- */
'7B414243444546474849000094000000'X /* C- */
'7D4A4B4C4D4E4F50515200008100005E'X /* D- */
'5C20535455565758595A000099000000'X /* E- */
'3031323334353637383900009A000000'X. /* F- */
:PFNTWTH
DATA =
/* -0-1-2-3-4-5-6-7-8-9-A-B-C-D-E-F */
'48486A6A6A6A6A6A6A787852F052D378'X /* 4- */
'BB6A6A6A6A43434343785278785252D3'X /* 5- */
'5252ADADADADADADA3B27852D378F06A'X /* 6- */
'789595959552525252785278D352D36E'X /* 7- */
'AD6A786A786A527878436060787878D3'X /* 8- */
'78437843BB7878785678789E78D378'X /* 9- */
'86785B437878AD78786A526AB2AD8B78'X /* A- */
'787878AD787878D3D3D37878787878'X /* B- */
'6AAD95A3B29590ADB252527878787878'X /* C- */
'6A5BA895D8B2AD8BAD9E567878787878'X /* D- */
'52488295B2ADE2ADAD9A56ADADADADAD'X /* E- */
'787878787878787878787856B2B2B278'X. /* F- */

:PMLGEBCTBL
EBCDICCP= 905
ASCIICP= 3157
DATA =
/* -0-1-2-3-4-5-6-7-8-9-A-B-C-D-E-F */
'2020838485A000917BA4802E3C282B21'X /* 4- */
'268288898AA18C8B8DE1A6982A293B5E'X /* 5- */
'2D2FB686B7B500925BA5AD2C255F3E3F'X /* 6- */
'0090D2D3D4D6D7D8DED53A99B8273D9A'X /* 7- */
'F4616263646566676869E886C7ED007C'X /* 8- */
'F86A6B6C6D6E6F707172A99B9FF700CF'X /* 9- */
'E694737475767778797AE78FC6EC0040'X /* A- */
'FA9CBE7DBDF55D00AB24A89DACF9EF9E'X /* B- */
'87414243444546474849F0937E95A2E5'X /* C- */
'A74A4B4C4D4E4F50515260965C81A300'X /* D- */
'81F6535455565758595AFDE223E3E0E4'X /* E- */
'30313233343536373839FCEA22EBE900'X. /* F- */

:PFNTWTH
DATA =
/* -0-1-2-3-4-5-6-7-8-9-A-B-C-D-E-F */
'48486A6A6A6A6A6A6A787852F052D378'X /* 4- */
'BB6A6A6A6A43434343785278785252D3'X /* 5- */
'5252ADADADADADADA3B27852D378F06A'X /* 6- */
'789595959552525252785278D352D36E'X /* 7- */
'AD6A786A786A527878436060787878D3'X /* 8- */
'78437843BB787878785678789E78D378'X /* 9- */
'86785B437878AD78786A526AB2AD8B78'X /* A- */
'787878AD787878D3D3D37878787878'X /* B- */
'6AAD95A3B29590ADB252527878787878'X /* C- */
'6A5BA895D8B2AD8BAD9E567878787878'X /* D- */
'52488295B2ADE2ADAD9A56ADADADADAD'X /* E- */
'787878787878787878787856B2B2B278'X. /* F- */

:PMLGEBCTBL
EBCDICCP= 259
ASCIICP= 3157
DATA =
/* -0-1-2-3-4-5-6-7-8-9-A-B-C-D-E-F */
'20200000000000001A2F5B003C28B800'X /* 4- */
'00EE3C3E000000000005DFA0029F95E'X /* 5- */
'2D000000BA003CE0000EF0C0B5F3E00'X /* 6- */
'00000000001C00000060F6F1F82722A9'X /* 7- */

```

```

'0000E10000000000000000DAC3C0B30000'X /* 8- */
'00000000E60000000000C2C5C1000000'X /* 9- */
'007E0000009E00000000BFB4D9C40000'X /* A- */
'00000000000000000000000079CCFBE'X /* B- */
'7B00000001B0000F418F00400007C00'X /* C- */
'7D00F50000001900000000FE00EE0000'X /* D- */
'5C20001A00000000000000AA101E0000'X /* E- */
'00FBFDFC0000000000009D000000000'X. /* F- */
:PFNTWTH
DATA =
/* -0-1-2-3-4-5-6-7-8-9-A-B-C-D-E-F */
'48486A6A6A6A6A6A787852F052D378'X /* 4- */
'BB6A6A6A6A43434343785278785252D3'X /* 5- */
'5252ADADADADADA3B27852D378F06A'X /* 6- */
'789595959552525252785278D352D36E'X /* 7- */
'AD6A786A786A527878436060787878D3'X /* 8- */
'78437843BB787878785678789E78D378'X /* 9- */
'86785B437878AD78786A526AB2AD8B78'X /* A- */
'787878AD7878D3D3D3D37878787878'X /* B- */
'6AAD95A3B29590ADB2525278787878'X /* C- */
'6A5BA895D8B2AD8BAD9E5678787878'X /* D- */
'52488295B2ADE2ADAD9A56ADADADADAD'X /* E- */
'7878787878787878787856B2B2B278'X. /* F- */

:EPMLGMAPTBL.
:EWSCST.

```

## Step 4: Creating the Workstation Customizing Object

After you change and save the source, create the workstation customizing object using the Create Work Station Customizing Object (CRTWSCST) command. Specify the following parameter value:

Workstation customizing object name	WSCST(CSTHPDA)
Library	LIB(CSTLIB)
Source member	SRCMBR(CSTHPDA)
Source file	SRCFILE(CSTSRC)
Library	LIB(CSTLIB)
Text	TEXT('Workstation customizing object for HPDA ASCII Printer')

**Note:** This step was performed several times.

## Step 5: Varying On the Device

Change the device description for the ASCII printer and specify your customizing object CSTHPDA for the workstation customizing object (WSCST) parameter.

To activate the workstation customizing function, vary off and then vary on the printer so that the customizing object is downloaded to the workstation controller. When you print the test document on the Hewlett-Packard printer, it shows the characteristics for which you customized. In addition, the strange characters that appeared at the top of the page are gone.

**Note:** This step was performed several times. When you vary the device on and off many times as you do when you test a new workstation customizing object, the workstation controller storage can fill up. When this occurs, the device no

longer varies on and an error message is sent to the QSYSOPR message queue. To correct this situation, it is necessary to vary off the workstation controller, and then vary it on again specifying RESET(\*YES). This clears the storage in the workstation controller and allows the mapping tables in the new workstation customizing object to be loaded.



# Appendix A. Twinaxial Keyboard Layouts

This appendix provides illustrations of the five basic keyboard types that are used with twinaxial displays. The core area of each keyboard is not labeled because the intention is to show the physical layout of the keyboard and not necessarily the positions of individual keys.

The keyboard layouts shown are for a United States English (USB) layout. For other national languages, slight differences may exist in terms of the number of keys in certain rows of the core areas of the keyboards. In most cases, it is the core area for each keyboard layout that is functionally different from one national language to the next. This area contains the alphanumeric characters and some function keys. The location of the non-alphanumeric keys is almost always the same from one national language to the next.

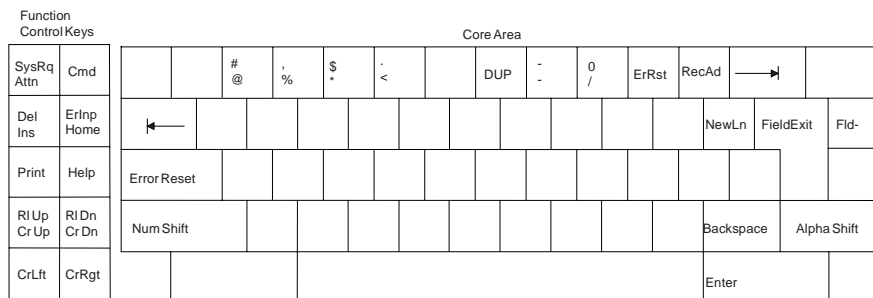
Use the following keyboard illustrations to help you select the correct keyboard type when you use the Retrieve Work Station Customizing Object Source (RTVWSCST) command to retrieve the source for your twinaxial display. The following list matches the values for the keyboard attached parameter to the name of the actual keyboard.

- Specify \*DATA5250 for the 5250 data entry keyboard
- Specify \*TYPE5250 for the 5250 typewriter keyboard
- Specify \*DATA122 for the 122-key data entry keyboard
- Specify \*TYPE122 for the 122-key typewriter keyboard
- Specify \*ENHANCED for the Enhanced style keyboard

**Notes:**

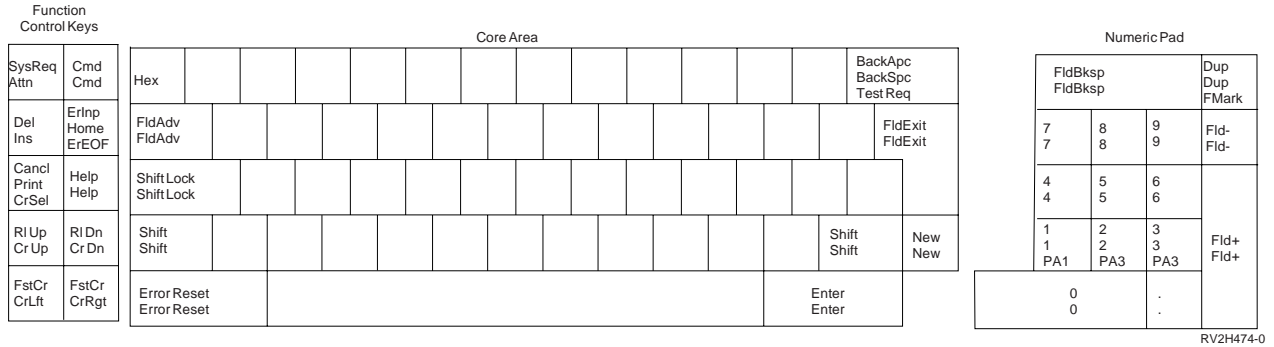
1. Not all the different keyboard styles are supported for all the different keyboard languages the AS/400 system can support. For example, there are very few national languages that have a data entry layout defined for the 122-key keyboard.
2. The 5250 data entry keyboard has no numeric key pad area.
3. The number of keys on an Enhanced keyboard varies from one national language to another. The Enhanced keyboard shown in this appendix has 102 keys. Other Enhanced keyboards may have 102 keys, 103 keys, 105 keys, or 107 keys. The layout of the keyboard is the same; however, some of the larger keys, such as the Shift key above the Enter key, may be split into two keys rather than one large key.

## 5250 Data Entry Keyboard Layout

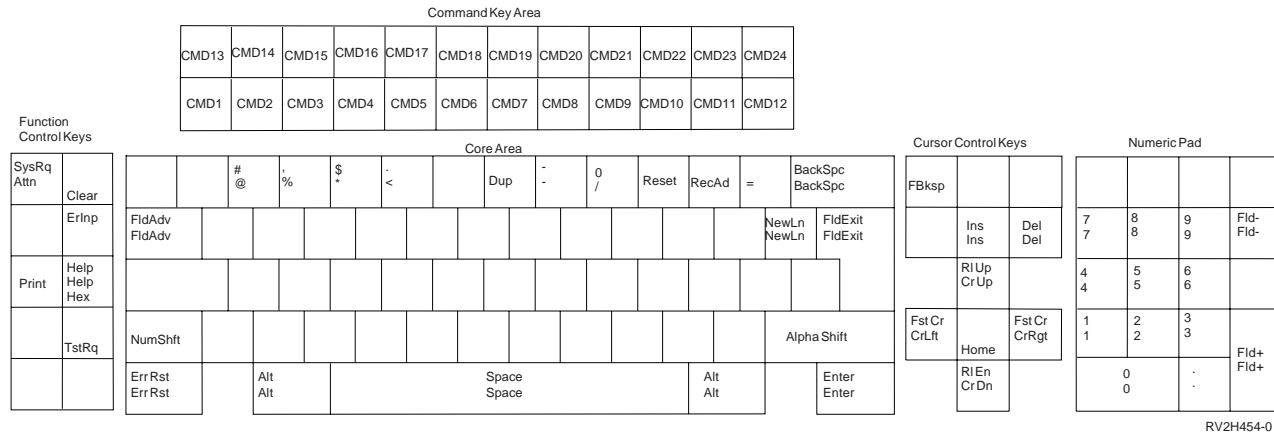


RV2H475-0

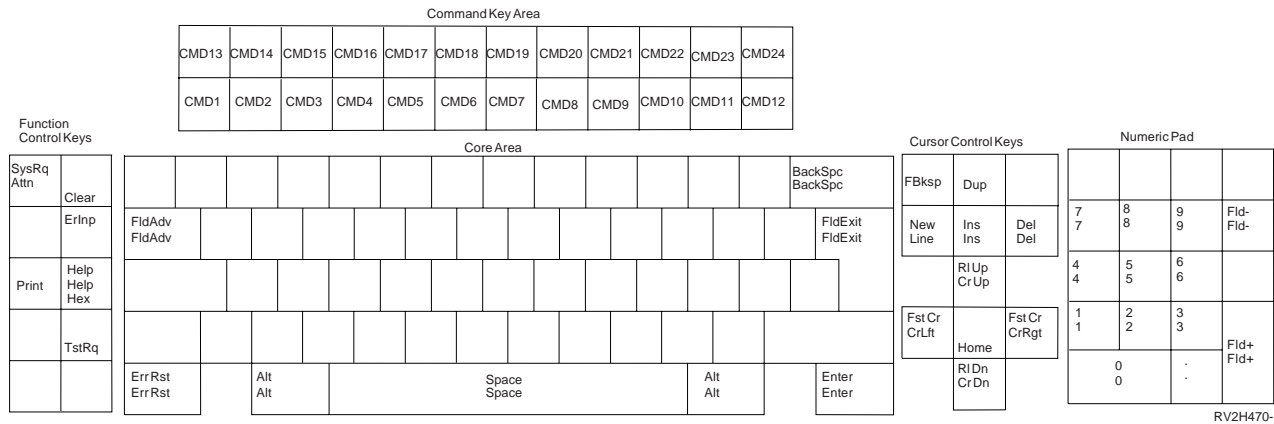
# 5250 Typewriter Keyboard Layout



# 122-Key Data Entry Keyboard Layout

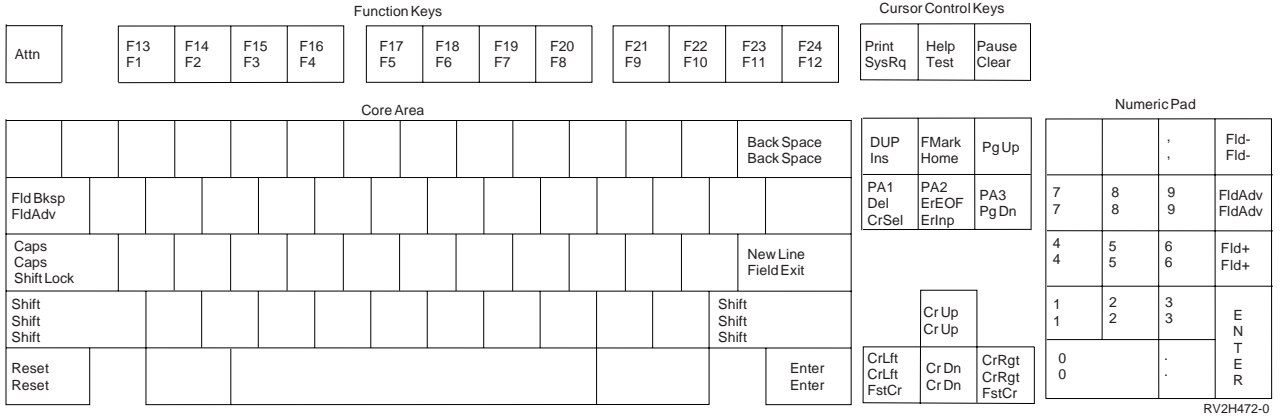


# 122-Key Typewriter Keyboard Layout





# Enhanced Keyboard Layout





---

## Appendix B. Source Code Examples

You can retrieve copies of source code to customize workstations. The following examples show what the retrieved source code looks like for each of these types of devices:

- Twinaxial display
- Twinaxial display with an attached ASCII printer that uses the emulator on the display
- ASCII display
- ASCII printer that uses the host print transform function
- ASCII printer that uses the emulator on the workstation controller

The first example is for both the twinaxial display and the twinaxial display with an attached printer that uses the emulator on the display.

**Note:** The retrieved source code for twinaxial displays (other than the 3477 Model H, 3486, 3487, and 3488) does not contain the code for the printer definition table. The remaining examples are for:

- The ASCII display
- The ASCII printer that uses the host print transform function
- The ASCII printer attached to the ASCII workstation controller that uses the emulator on the workstation controller

Use these examples to help you understand and work with the values for the tags used in the coding for workstation customizing.

---

### Source Code for 3477 Twinaxial Display

The source for this example is created when you use the Retrieve Work Station Customizing Object Source (RTVWSCST) command specifying the following parameters:

Device type	DEVTYPE(3477)
Keyboard language type	KBDTYPE(USI)
Keyboard attached	KBD(*TYPE122)

**Note:** Device type 3477 is one of three device types that you can specify to customize an ASCII printer attached to a twinaxial display. The other two device types you can specify to include the printer definition table in your source are the 3486 and the 3487.

```
:WSCST DEVCLASS=TWINAXPRT.
```

```
:TKBDTBL
  LANGTYPE = USI
  KBDTYPE = TYPE122 .
:TKSTATE
MODE = NONE   SHIFT = UNSHIFT
DATA =
'2300'X      /* 00 */ /*   MODE = NONE   SHIFT = UNSHIF */
'0AA9'X      /* 01 */ /*   MODE = NONE   SHIFT = UNSHIF */
'0AA7'X      /* 02 */ /*   MODE = NONE   SHIFT = UNSHIF */
'0A83'X      /* 03 */ /*   MODE = NONE   SHIFT = UNSHIF */
'0AA5'X      /* 04 */ /*   MODE = NONE   SHIFT = UNSHIF */
'0A82'X      /* 05 */ /*   MODE = NONE   SHIFT = UNSHIF */
```

## Source Code for 3477 Twinaxial Display

```
'0A95'X /* 06 */ /* MODE = NONE SHIFT = UNSHIF */
'0A94'X /* 07 */ /* MODE = NONE SHIFT = UNSHIF */
'106B'X /* 08 */ /* MODE = NONE SHIFT = UNSHIF */
'104B'X /* 09 */ /* MODE = NONE SHIFT = UNSHIF */
'0B61'X /* 0A */ /* MODE = NONE SHIFT = UNSHIF */
'2300'X /* 0B */ /* MODE = NONE SHIFT = UNSHIF */
'0101'X /* 0C */ /* MODE = NONE SHIFT = UNSHIF */
'2300'X /* 0D */ /* MODE = NONE SHIFT = UNSHIF */
'0B4C'X /* 0E */ /* MODE = NONE SHIFT = UNSHIF */
'1040'X /* 0F */ /* MODE = NONE SHIFT = UNSHIF */
'2300'X /* 10 */ /* MODE = NONE SHIFT = UNSHIF */
'0A81'X /* 11 */ /* MODE = NONE SHIFT = UNSHIF */
'0AA2'X /* 12 */ /* MODE = NONE SHIFT = UNSHIF */
'0A84'X /* 13 */ /* MODE = NONE SHIFT = UNSHIF */
'0A86'X /* 14 */ /* MODE = NONE SHIFT = UNSHIF */
'0A87'X /* 15 */ /* MODE = NONE SHIFT = UNSHIF */
'0A88'X /* 16 */ /* MODE = NONE SHIFT = UNSHIF */
'0A91'X /* 17 */ /* MODE = NONE SHIFT = UNSHIF */
'0A92'X /* 18 */ /* MODE = NONE SHIFT = UNSHIF */
'0A93'X /* 19 */ /* MODE = NONE SHIFT = UNSHIF */
'0B5E'X /* 1A */ /* MODE = NONE SHIFT = UNSHIF */
'0B7D'X /* 1B */ /* MODE = NONE SHIFT = UNSHIF */
'0BC0'X /* 1C */ /* MODE = NONE SHIFT = UNSHIF */
'010E'X /* 1D */ /* MODE = NONE SHIFT = UNSHIF */
'2200'X /* 1E */ /* MODE = NONE SHIFT = UNSHIF */
'2300'X /* 1F */ /* MODE = NONE SHIFT = UNSHIF */
'010B'X /* 20 */ /* MODE = NONE SHIFT = UNSHIF */
'0A98'X /* 21 */ /* MODE = NONE SHIFT = UNSHIF */
'0AA6'X /* 22 */ /* MODE = NONE SHIFT = UNSHIF */
'0A85'X /* 23 */ /* MODE = NONE SHIFT = UNSHIF */
'0A99'X /* 24 */ /* MODE = NONE SHIFT = UNSHIF */
'0AA3'X /* 25 */ /* MODE = NONE SHIFT = UNSHIF */
'0AA8'X /* 26 */ /* MODE = NONE SHIFT = UNSHIF */
'0AA4'X /* 27 */ /* MODE = NONE SHIFT = UNSHIF */
'0A89'X /* 28 */ /* MODE = NONE SHIFT = UNSHIF */
'0A96'X /* 29 */ /* MODE = NONE SHIFT = UNSHIF */
'0A97'X /* 2A */ /* MODE = NONE SHIFT = UNSHIF */
'0BB0'X /* 2B */ /* MODE = NONE SHIFT = UNSHIF */
'0BE0'X /* 2C */ /* MODE = NONE SHIFT = UNSHIF */
'0201'X /* 2D */ /* MODE = NONE SHIFT = UNSHIF */
'2300'X /* 2E */ /* MODE = NONE SHIFT = UNSHIF */
'2300'X /* 2F */ /* MODE = NONE SHIFT = UNSHIF */
'2300'X /* 30 */ /* MODE = NONE SHIFT = UNSHIF */
'0DF1'X /* 31 */ /* MODE = NONE SHIFT = UNSHIF */
'0DF2'X /* 32 */ /* MODE = NONE SHIFT = UNSHIF */
'0DF3'X /* 33 */ /* MODE = NONE SHIFT = UNSHIF */
'0DF4'X /* 34 */ /* MODE = NONE SHIFT = UNSHIF */
'0DF5'X /* 35 */ /* MODE = NONE SHIFT = UNSHIF */
'0DF6'X /* 36 */ /* MODE = NONE SHIFT = UNSHIF */
'0DF7'X /* 37 */ /* MODE = NONE SHIFT = UNSHIF */
'0DF8'X /* 38 */ /* MODE = NONE SHIFT = UNSHIF */
'0DF9'X /* 39 */ /* MODE = NONE SHIFT = UNSHIF */
'0DF0'X /* 3A */ /* MODE = NONE SHIFT = UNSHIF */
'1060'X /* 3B */ /* MODE = NONE SHIFT = UNSHIF */
'0B7E'X /* 3C */ /* MODE = NONE SHIFT = UNSHIF */
'0108'X /* 3D */ /* MODE = NONE SHIFT = UNSHIF */
'2602'X /* 3E */ /* MODE = NONE SHIFT = UNSHIF */
'2300'X /* 3F */ /* MODE = NONE SHIFT = UNSHIF */
'0EF0'X /* 40 */ /* MODE = NONE SHIFT = UNSHIF */
'0EF1'X /* 41 */ /* MODE = NONE SHIFT = UNSHIF */
'0EF2'X /* 42 */ /* MODE = NONE SHIFT = UNSHIF */
'0EF3'X /* 43 */ /* MODE = NONE SHIFT = UNSHIF */
'0EF4'X /* 44 */ /* MODE = NONE SHIFT = UNSHIF */
'0EF5'X /* 45 */ /* MODE = NONE SHIFT = UNSHIF */
'0EF6'X /* 46 */ /* MODE = NONE SHIFT = UNSHIF */
'0EF7'X /* 47 */ /* MODE = NONE SHIFT = UNSHIF */
'0EF8'X /* 48 */ /* MODE = NONE SHIFT = UNSHIF */
```

## Source Code for 3477 Twinaxial Display

```

'0EF9'X      /* 49 */ /* MODE = NONE  SHIFT = UNSHIF */
'104B'X      /* 4A */ /* MODE = NONE  SHIFT = UNSHIF */
'0109'X      /* 4B */ /* MODE = NONE  SHIFT = UNSHIF */
'0204'X      /* 4C */ /* MODE = NONE  SHIFT = UNSHIF */
'0203'X      /* 4D */ /* MODE = NONE  SHIFT = UNSHIF */
'0202'X      /* 4E */ /* MODE = NONE  SHIFT = UNSHIF */
'2200'X      /* 4F */ /* MODE = NONE  SHIFT = UNSHIF */
'2200'X      /* 50 */ /* MODE = NONE  SHIFT = UNSHIF */
'1703'X      /* 51 */ /* MODE = NONE  SHIFT = UNSHIF */
'2300'X      /* 52 */ /* MODE = NONE  SHIFT = UNSHIF */
'2300'X      /* 53 */ /* MODE = NONE  SHIFT = UNSHIF */
'2001'X      /* 54 */ /* MODE = NONE  SHIFT = UNSHIF */
'2200'X      /* 55 */ /* MODE = NONE  SHIFT = UNSHIF */
'2003'X      /* 56 */ /* MODE = NONE  SHIFT = UNSHIF */
'2002'X      /* 57 */ /* MODE = NONE  SHIFT = UNSHIF */
'2300'X      /* 58 */ /* MODE = NONE  SHIFT = UNSHIF */
'2300'X      /* 59 */ /* MODE = NONE  SHIFT = UNSHIF */
'2300'X      /* 5A */ /* MODE = NONE  SHIFT = UNSHIF */
'2300'X      /* 5B */ /* MODE = NONE  SHIFT = UNSHIF */
'2300'X      /* 5C */ /* MODE = NONE  SHIFT = UNSHIF */
'2300'X      /* 5D */ /* MODE = NONE  SHIFT = UNSHIF */
'2300'X      /* 5E */ /* MODE = NONE  SHIFT = UNSHIF */
'2300'X      /* 5F */ /* MODE = NONE  SHIFT = UNSHIF */
'2200'X      /* 60 */ /* MODE = NONE  SHIFT = UNSHIF */
'2300'X      /* 61 */ /* MODE = NONE  SHIFT = UNSHIF */
'030B'X      /* 62 */ /* MODE = NONE  SHIFT = UNSHIF */
'2300'X      /* 63 */ /* MODE = NONE  SHIFT = UNSHIF */
'2300'X      /* 64 */ /* MODE = NONE  SHIFT = UNSHIF */
'2300'X      /* 65 */ /* MODE = NONE  SHIFT = UNSHIF */
'030C'X      /* 66 */ /* MODE = NONE  SHIFT = UNSHIF */
'030A'X      /* 67 */ /* MODE = NONE  SHIFT = UNSHIF */
'0604'X      /* 68 */ /* MODE = NONE  SHIFT = UNSHIF */
'2300'X      /* 69 */ /* MODE = NONE  SHIFT = UNSHIF */
'2300'X      /* 6A */ /* MODE = NONE  SHIFT = UNSHIF */
'1703'X      /* 6B */ /* MODE = NONE  SHIFT = UNSHIF */
'0301'X      /* 6C */ /* MODE = NONE  SHIFT = UNSHIF */
'010D'X      /* 6D */ /* MODE = NONE  SHIFT = UNSHIF */
'0601'X      /* 6E */ /* MODE = NONE  SHIFT = UNSHIF */
'0310'X      /* 6F */ /* MODE = NONE  SHIFT = UNSHIF */
'0107'X      /* 70 */ /* MODE = NONE  SHIFT = UNSHIF */
'0106'X      /* 71 */ /* MODE = NONE  SHIFT = UNSHIF */
'0102'X      /* 72 */ /* MODE = NONE  SHIFT = UNSHIF */
'0103'X      /* 73 */ /* MODE = NONE  SHIFT = UNSHIF */
'2300'X      /* 74 */ /* MODE = NONE  SHIFT = UNSHIF */
'2200'X      /* 75 */ /* MODE = NONE  SHIFT = UNSHIF */
'2300'X      /* 76 */ /* MODE = NONE  SHIFT = UNSHIF */
'2300'X      /* 77 */ /* MODE = NONE  SHIFT = UNSHIF */
'2200'X      /* 78 */ /* MODE = NONE  SHIFT = UNSHIF */
'2300'X      /* 79 */ /* MODE = NONE  SHIFT = UNSHIF */
'2300'X      /* 7A */ /* MODE = NONE  SHIFT = UNSHIF */
'1703'X      /* 7B */ /* MODE = NONE  SHIFT = UNSHIF */
'0402'X      /* 7C */ /* MODE = NONE  SHIFT = UNSHIF */
'0607'X      /* 7D */ /* MODE = NONE  SHIFT = UNSHIF */
'0401'X      /* 7E */ /* MODE = NONE  SHIFT = UNSHIF */
'2300'X      /* 7F */ /* MODE = NONE  SHIFT = UNSHIF */
:TKSTATE
MODE = NONE  SHIFT = UPPER
DATA =
'2300'X      /* 00 */ /* MODE = NONE  SHIFT = UPPER */
'09E9'X      /* 01 */ /* MODE = NONE  SHIFT = UPPER */
'09E7'X      /* 02 */ /* MODE = NONE  SHIFT = UPPER */
'09C3'X      /* 03 */ /* MODE = NONE  SHIFT = UPPER */
'09E5'X      /* 04 */ /* MODE = NONE  SHIFT = UPPER */
'09C2'X      /* 05 */ /* MODE = NONE  SHIFT = UPPER */
'09D5'X      /* 06 */ /* MODE = NONE  SHIFT = UPPER */
'09D4'X      /* 07 */ /* MODE = NONE  SHIFT = UPPER */
'106B'X      /* 08 */ /* MODE = NONE  SHIFT = UPPER */

```

## Source Code for 3477 Twinaxial Display

```

'104B'X /* 09 */ /* MODE = NONE SHIFT = UPPER */
'0B6F'X /* 0A */ /* MODE = NONE SHIFT = UPPER */
'2300'X /* 0B */ /* MODE = NONE SHIFT = UPPER */
'0101'X /* 0C */ /* MODE = NONE SHIFT = UPPER */
'2300'X /* 0D */ /* MODE = NONE SHIFT = UPPER */
'0B6E'X /* 0E */ /* MODE = NONE SHIFT = UPPER */
'1040'X /* 0F */ /* MODE = NONE SHIFT = UPPER */
'2300'X /* 10 */ /* MODE = NONE SHIFT = UPPER */
'09C1'X /* 11 */ /* MODE = NONE SHIFT = UPPER */
'09E2'X /* 12 */ /* MODE = NONE SHIFT = UPPER */
'09C4'X /* 13 */ /* MODE = NONE SHIFT = UPPER */
'09C6'X /* 14 */ /* MODE = NONE SHIFT = UPPER */
'09C7'X /* 15 */ /* MODE = NONE SHIFT = UPPER */
'09C8'X /* 16 */ /* MODE = NONE SHIFT = UPPER */
'09D1'X /* 17 */ /* MODE = NONE SHIFT = UPPER */
'09D2'X /* 18 */ /* MODE = NONE SHIFT = UPPER */
'09D3'X /* 19 */ /* MODE = NONE SHIFT = UPPER */
'0B7A'X /* 1A */ /* MODE = NONE SHIFT = UPPER */
'0B7F'X /* 1B */ /* MODE = NONE SHIFT = UPPER */
'0BD0'X /* 1C */ /* MODE = NONE SHIFT = UPPER */
'010E'X /* 1D */ /* MODE = NONE SHIFT = UPPER */
'2200'X /* 1E */ /* MODE = NONE SHIFT = UPPER */
'2300'X /* 1F */ /* MODE = NONE SHIFT = UPPER */
'010C'X /* 20 */ /* MODE = NONE SHIFT = UPPER */
'09D8'X /* 21 */ /* MODE = NONE SHIFT = UPPER */
'09E6'X /* 22 */ /* MODE = NONE SHIFT = UPPER */
'09C5'X /* 23 */ /* MODE = NONE SHIFT = UPPER */
'09D9'X /* 24 */ /* MODE = NONE SHIFT = UPPER */
'09E3'X /* 25 */ /* MODE = NONE SHIFT = UPPER */
'09E8'X /* 26 */ /* MODE = NONE SHIFT = UPPER */
'09E4'X /* 27 */ /* MODE = NONE SHIFT = UPPER */
'09C9'X /* 28 */ /* MODE = NONE SHIFT = UPPER */
'09D6'X /* 29 */ /* MODE = NONE SHIFT = UPPER */
'09D7'X /* 2A */ /* MODE = NONE SHIFT = UPPER */
'0B4F'X /* 2B */ /* MODE = NONE SHIFT = UPPER */
'0B6A'X /* 2C */ /* MODE = NONE SHIFT = UPPER */
'0201'X /* 2D */ /* MODE = NONE SHIFT = UPPER */
'2300'X /* 2E */ /* MODE = NONE SHIFT = UPPER */
'2300'X /* 2F */ /* MODE = NONE SHIFT = UPPER */
'2300'X /* 30 */ /* MODE = NONE SHIFT = UPPER */
'0BBB'X /* 31 */ /* MODE = NONE SHIFT = UPPER */
'0B7C'X /* 32 */ /* MODE = NONE SHIFT = UPPER */
'0B7B'X /* 33 */ /* MODE = NONE SHIFT = UPPER */
'0B5B'X /* 34 */ /* MODE = NONE SHIFT = UPPER */
'0B6C'X /* 35 */ /* MODE = NONE SHIFT = UPPER */
'0BBA'X /* 36 */ /* MODE = NONE SHIFT = UPPER */
'0B50'X /* 37 */ /* MODE = NONE SHIFT = UPPER */
'0B5C'X /* 38 */ /* MODE = NONE SHIFT = UPPER */
'0B4D'X /* 39 */ /* MODE = NONE SHIFT = UPPER */
'0B5D'X /* 3A */ /* MODE = NONE SHIFT = UPPER */
'0B6D'X /* 3B */ /* MODE = NONE SHIFT = UPPER */
'0F4E'X /* 3C */ /* MODE = NONE SHIFT = UPPER */
'0108'X /* 3D */ /* MODE = NONE SHIFT = UPPER */
'2603'X /* 3E */ /* MODE = NONE SHIFT = UPPER */
'2300'X /* 3F */ /* MODE = NONE SHIFT = UPPER */
'0EF0'X /* 40 */ /* MODE = NONE SHIFT = UPPER */
'0EF1'X /* 41 */ /* MODE = NONE SHIFT = UPPER */
'0EF2'X /* 42 */ /* MODE = NONE SHIFT = UPPER */
'0EF3'X /* 43 */ /* MODE = NONE SHIFT = UPPER */
'0EF4'X /* 44 */ /* MODE = NONE SHIFT = UPPER */
'0EF5'X /* 45 */ /* MODE = NONE SHIFT = UPPER */
'0EF6'X /* 46 */ /* MODE = NONE SHIFT = UPPER */
'0EF7'X /* 47 */ /* MODE = NONE SHIFT = UPPER */
'0EF8'X /* 48 */ /* MODE = NONE SHIFT = UPPER */
'0EF9'X /* 49 */ /* MODE = NONE SHIFT = UPPER */
'104B'X /* 4A */ /* MODE = NONE SHIFT = UPPER */
'0608'X /* 4B */ /* MODE = NONE SHIFT = UPPER */

```

## Source Code for 3477 Twinaxial Display

```
'0609'X      /* 4C */ /* MODE = NONE SHIFT = UPPER */
'0203'X      /* 4D */ /* MODE = NONE SHIFT = UPPER */
'0202'X      /* 4E */ /* MODE = NONE SHIFT = UPPER */
'2200'X      /* 4F */ /* MODE = NONE SHIFT = UPPER */
'2200'X      /* 50 */ /* MODE = NONE SHIFT = UPPER */
'1703'X      /* 51 */ /* MODE = NONE SHIFT = UPPER */
'2300'X      /* 52 */ /* MODE = NONE SHIFT = UPPER */
'2300'X      /* 53 */ /* MODE = NONE SHIFT = UPPER */
'2001'X      /* 54 */ /* MODE = NONE SHIFT = UPPER */
'2200'X      /* 55 */ /* MODE = NONE SHIFT = UPPER */
'2003'X      /* 56 */ /* MODE = NONE SHIFT = UPPER */
'2002'X      /* 57 */ /* MODE = NONE SHIFT = UPPER */
'2300'X      /* 58 */ /* MODE = NONE SHIFT = UPPER */
'2300'X      /* 59 */ /* MODE = NONE SHIFT = UPPER */
'2300'X      /* 5A */ /* MODE = NONE SHIFT = UPPER */
'2300'X      /* 5B */ /* MODE = NONE SHIFT = UPPER */
'2300'X      /* 5C */ /* MODE = NONE SHIFT = UPPER */
'2300'X      /* 5D */ /* MODE = NONE SHIFT = UPPER */
'2300'X      /* 5E */ /* MODE = NONE SHIFT = UPPER */
'2300'X      /* 5F */ /* MODE = NONE SHIFT = UPPER */
'2200'X      /* 60 */ /* MODE = NONE SHIFT = UPPER */
'2300'X      /* 61 */ /* MODE = NONE SHIFT = UPPER */
'060A'X      /* 62 */ /* MODE = NONE SHIFT = UPPER */
'2300'X      /* 63 */ /* MODE = NONE SHIFT = UPPER */
'2300'X      /* 64 */ /* MODE = NONE SHIFT = UPPER */
'2300'X      /* 65 */ /* MODE = NONE SHIFT = UPPER */
'2200'X      /* 66 */ /* MODE = NONE SHIFT = UPPER */
'0303'X      /* 67 */ /* MODE = NONE SHIFT = UPPER */
'0604'X      /* 68 */ /* MODE = NONE SHIFT = UPPER */
'2300'X      /* 69 */ /* MODE = NONE SHIFT = UPPER */
'2300'X      /* 6A */ /* MODE = NONE SHIFT = UPPER */
'1703'X      /* 6B */ /* MODE = NONE SHIFT = UPPER */
'0302'X      /* 6C */ /* MODE = NONE SHIFT = UPPER */
'0303'X      /* 6D */ /* MODE = NONE SHIFT = UPPER */
'0304'X      /* 6E */ /* MODE = NONE SHIFT = UPPER */
'0310'X      /* 6F */ /* MODE = NONE SHIFT = UPPER */
'0603'X      /* 70 */ /* MODE = NONE SHIFT = UPPER */
'0602'X      /* 71 */ /* MODE = NONE SHIFT = UPPER */
'0104'X      /* 72 */ /* MODE = NONE SHIFT = UPPER */
'0105'X      /* 73 */ /* MODE = NONE SHIFT = UPPER */
'2300'X      /* 74 */ /* MODE = NONE SHIFT = UPPER */
'2200'X      /* 75 */ /* MODE = NONE SHIFT = UPPER */
'2300'X      /* 76 */ /* MODE = NONE SHIFT = UPPER */
'2300'X      /* 77 */ /* MODE = NONE SHIFT = UPPER */
'2200'X      /* 78 */ /* MODE = NONE SHIFT = UPPER */
'2300'X      /* 79 */ /* MODE = NONE SHIFT = UPPER */
'2300'X      /* 7A */ /* MODE = NONE SHIFT = UPPER */
'1703'X      /* 7B */ /* MODE = NONE SHIFT = UPPER */
'0403'X      /* 7C */ /* MODE = NONE SHIFT = UPPER */
'0607'X      /* 7D */ /* MODE = NONE SHIFT = UPPER */
'0401'X      /* 7E */ /* MODE = NONE SHIFT = UPPER */
'2300'X      /* 7F */ /* MODE = NONE SHIFT = UPPER */
```

```
:PDFNTBL.
:SPACE
  DATA = '20'X.
:BELL
  DATA = '07'X.
:BSP
  DATA = '08'X.
:LINEFEED
  DATA = '0A'X.
:FORMFEED
  DATA = '0C'X.
:CARRTN
  DATA = '0D'X.
:STRUS
```

## Source Code for 3477 Twinaxial Display

```
DATA = '1B2D31'X.  
:ENDUS  
DATA = '1B2D30'X.  
:PAGLENL  
VAROFFSET= 2  
VARLEN= 1  
DATA = '1B4300'X  
VARTYPE=HIGHLOW  
VARMAX= 0  
ADJUST= 0.  
:PAGLENI  
VAROFFSET= 3  
VARLEN= 1  
DATA = '1B430000'X  
VARTYPE=HIGHLOW  
CNVNUM= 1  
CNVDEN= 1  
VARMAX= 0  
ADJUST= 0.  
:VARLSPC  
VAROFFSET= 2  
VARLEN= 1  
DATA = '1B4100'X  
VARTYPE=HIGHLOW  
CNVNUM= 1  
CNVDEN= 96  
VARMAX= 0  
ADJUST= 0.  
:LPI  
LPI=6  
DATA = '1B32'X.  
:LPI  
LPI=8  
DATA = '1B30'X.  
:PRTQLTY  
QLTYTYPE=DRAFT  
DATA = '1B48'X.  
:PRTQLTY  
QLTYTYPE=LETTER  
DATA = '1B47'X.  
:PRTQLTY  
QLTYTYPE=TEXT  
DATA = '1B47'X.  
:CPI  
CPI=5  
DATA = '0E12'X.  
:CPI  
CPI=6  
DATA = '0E12'X.  
:CPI  
CPI=855  
DATA = '0E0F'X.  
:CPI  
CPI=10  
DATA = '1412'X.  
:CPI  
CPI=12  
DATA = '1412'X.  
:CPI  
CPI=15  
DATA = '0F14'X.  
:CPI  
CPI=171  
DATA = '0F14'X.  
:STRBOLD  
DATA = '1B45'X.  
:ENDBOLD
```



## Source Code for 3477 Twinaxial Display

```
DATA = '1B46'X.  
:TRNEBCDIC.  
:TRNEBCDICE  
EBCDIC='42'X  
DATA = '20'X.  
:TRNEBCDICE  
EBCDIC='43'X  
DATA = '20'X.  
:TRNEBCDICE  
EBCDIC='44'X  
DATA = '20'X.  
:TRNEBCDICE  
EBCDIC='45'X  
DATA = '20'X.  
:TRNEBCDICE  
EBCDIC='46'X  
DATA = '20'X.  
:TRNEBCDICE  
EBCDIC='47'X  
DATA = '20'X.  
:TRNEBCDICE  
EBCDIC='48'X  
DATA = '20'X.  
:TRNEBCDICE  
EBCDIC='49'X  
DATA = '20'X.  
:TRNEBCDICE  
EBCDIC='51'X  
DATA = '20'X.  
:TRNEBCDICE  
EBCDIC='52'X  
DATA = '20'X.  
:TRNEBCDICE  
EBCDIC='53'X  
DATA = '20'X.  
:TRNEBCDICE  
EBCDIC='54'X  
DATA = '20'X.  
:TRNEBCDICE  
EBCDIC='55'X  
DATA = '20'X.  
:TRNEBCDICE  
EBCDIC='56'X  
DATA = '20'X.  
:TRNEBCDICE  
EBCDIC='57'X  
DATA = '20'X.  
:TRNEBCDICE  
EBCDIC='58'X  
DATA = '20'X.  
:TRNEBCDICE  
EBCDIC='59'X  
DATA = '20'X.  
:TRNEBCDICE  
EBCDIC='60'X  
DATA = '2D'X.  
:TRNEBCDICE  
EBCDIC='62'X  
DATA = '20'X.  
:TRNEBCDICE  
EBCDIC='63'X  
DATA = '20'X.  
:TRNEBCDICE  
EBCDIC='64'X  
DATA = '20'X.  
:TRNEBCDICE  
EBCDIC='65'X
```

## Source Code for 3477 Twinaxial Display

```
DATA = '20'X.  
:TRNEBCDICE  
EBCDIC='66'X  
DATA = '20'X.  
:TRNEBCDICE  
EBCDIC='67'X  
DATA = '20'X.  
:TRNEBCDICE  
EBCDIC='68'X  
DATA = '20'X.  
:TRNEBCDICE  
EBCDIC='69'X  
DATA = '20'X.  
:TRNEBCDICE  
EBCDIC='6A'X  
DATA = '20'X.  
:TRNEBCDICE  
EBCDIC='70'X  
DATA = '20'X.  
:TRNEBCDICE  
EBCDIC='71'X  
DATA = '20'X.  
:TRNEBCDICE  
EBCDIC='72'X  
DATA = '20'X.  
:TRNEBCDICE  
EBCDIC='73'X  
DATA = '20'X.  
:TRNEBCDICE  
EBCDIC='74'X  
DATA = '20'X.  
:TRNEBCDICE  
EBCDIC='75'X  
DATA = '20'X.  
:TRNEBCDICE  
EBCDIC='76'X  
DATA = '20'X.  
:TRNEBCDICE  
EBCDIC='77'X  
DATA = '20'X.  
:TRNEBCDICE  
EBCDIC='78'X  
DATA = '20'X.  
:TRNEBCDICE  
EBCDIC='80'X  
DATA = '20'X.  
:TRNEBCDICE  
EBCDIC='8A'X  
DATA = '20'X.  
:TRNEBCDICE  
EBCDIC='8B'X  
DATA = '20'X.  
:TRNEBCDICE  
EBCDIC='8C'X  
DATA = '20'X.  
:TRNEBCDICE  
EBCDIC='8D'X  
DATA = '20'X.  
:TRNEBCDICE  
EBCDIC='8E'X  
DATA = '20'X.  
:TRNEBCDICE  
EBCDIC='8F'X  
DATA = '20'X.  
:TRNEBCDICE  
EBCDIC='90'X  
DATA = '20'X.
```

## Source Code for 3477 Twinaxial Display

```
:TRNEBCDICE
  EBCDIC='9A'X
  DATA ='20'X.
:TRNEBCDICE
  EBCDIC='9B'X
  DATA ='20'X.
:TRNEBCDICE
  EBCDIC='9C'X
  DATA ='20'X.
:TRNEBCDICE
  EBCDIC='9D'X
  DATA ='20'X.
:TRNEBCDICE
  EBCDIC='9E'X
  DATA ='20'X.
:TRNEBCDICE
  EBCDIC='9F'X
  DATA ='20'X.
:TRNEBCDICE
  EBCDIC='A0'X
  DATA ='20'X.
:TRNEBCDICE
  EBCDIC='AA'X
  DATA ='20'X.
:TRNEBCDICE
  EBCDIC='AB'X
  DATA ='20'X.
:TRNEBCDICE
  EBCDIC='AC'X
  DATA ='20'X.
:TRNEBCDICE
  EBCDIC='AD'X
  DATA ='20'X.
:TRNEBCDICE
  EBCDIC='AE'X
  DATA ='20'X.
:TRNEBCDICE
  EBCDIC='AF'X
  DATA ='20'X.
:TRNEBCDICE
  EBCDIC='B0'X
  DATA ='20'X.
:TRNEBCDICE
  EBCDIC='B1'X
  DATA ='20'X.
:TRNEBCDICE
  EBCDIC='B2'X
  DATA ='20'X.
:TRNEBCDICE
  EBCDIC='B3'X
  DATA ='20'X.
:TRNEBCDICE
  EBCDIC='B4'X
  DATA ='20'X.
:TRNEBCDICE
  EBCDIC='B5'X
  DATA ='20'X.
:TRNEBCDICE
  EBCDIC='B6'X
  DATA ='20'X.
:TRNEBCDICE
  EBCDIC='B7'X
  DATA ='20'X.
:TRNEBCDICE
  EBCDIC='B8'X
  DATA ='20'X.
:TRNEBCDICE
```

## Source Code for 3477 Twinaxial Display

```
      EBCDIC='B9'X
      DATA ='20'X.
:TRNEBCDICE
      EBCDIC='BA'X
      DATA ='20'X.
:TRNEBCDICE
      EBCDIC='BB'X
      DATA ='7C'X.
:TRNEBCDICE
      EBCDIC='BC'X
      DATA ='20'X.
:TRNEBCDICE
      EBCDIC='BD'X
      DATA ='20'X.
:TRNEBCDICE
      EBCDIC='BE'X
      DATA ='20'X.
:TRNEBCDICE
      EBCDIC='BF'X
      DATA ='20'X.
:TRNEBCDICE
      EBCDIC='CA'X
      DATA ='2D'X.
:TRNEBCDICE
      EBCDIC='CB'X
      DATA ='20'X.
:TRNEBCDICE
      EBCDIC='CC'X
      DATA ='20'X.
:TRNEBCDICE
      EBCDIC='CD'X
      DATA ='20'X.
:TRNEBCDICE
      EBCDIC='CE'X
      DATA ='20'X.
:TRNEBCDICE
      EBCDIC='CF'X
      DATA ='20'X.
:TRNEBCDICE
      EBCDIC='DA'X
      DATA ='20'X.
:TRNEBCDICE
      EBCDIC='DB'X
      DATA ='20'X.
:TRNEBCDICE
      EBCDIC='DC'X
      DATA ='20'X.
:TRNEBCDICE
      EBCDIC='DD'X
      DATA ='20'X.
:TRNEBCDICE
      EBCDIC='DE'X
      DATA ='20'X.
:TRNEBCDICE
      EBCDIC='DF'X
      DATA ='20'X.
:TRNEBCDICE
      EBCDIC='E1'X
      DATA ='20'X.
:TRNEBCDICE
      EBCDIC='EA'X
      DATA ='20'X.
:TRNEBCDICE
      EBCDIC='EB'X
      DATA ='20'X.
:TRNEBCDICE
      EBCDIC='EC'X
```

## Source Code for 3477 Twinaxial Display

```
DATA = '20'X.  
:TRNEBCDICE  
EBCDIC='ED'X  
DATA = '20'X.  
:TRNEBCDICE  
EBCDIC='EE'X  
DATA = '20'X.  
:TRNEBCDICE  
EBCDIC='EF'X  
DATA = '20'X.  
:TRNEBCDICE  
EBCDIC='FA'X  
DATA = '20'X.  
:TRNEBCDICE  
EBCDIC='FB'X  
DATA = '20'X.  
:TRNEBCDICE  
EBCDIC='FC'X  
DATA = '20'X.  
:TRNEBCDICE  
EBCDIC='FD'X  
DATA = '20'X.  
:TRNEBCDICE  
EBCDIC='FE'X  
DATA = '20'X.  
:TRNEBCDICE  
EBCDIC='FF'X  
DATA = '20'X.  
:ETRNEBCDIC.  
:EWSCST.
```

---

## Source Code for 3151 ASCII Display

The source for this example is created when you use the Retrieve Work Station Customizing Object Source (RTVWSCST) command specifying the following parameters:

Device type	DEVTYPE(3151)
Keyboard language type	KBDTYPE(USB)

```
:WSCST DEVCLASS=ASCIIDSP.
```

```
:DASCTBL  
DATA =  
/* -0-1-2-3-4-5-6-7-8-9-A-B-C-D-E-F */  
'405A7F7B5B6C507D4D5D5C4E6B604B61'X /* 2- */  
'F0F1F2F3F4F5F6F7F8F97A5E4C7E6E6F'X /* 3- */  
'7CC1C2C3C4C5C6C7C8C9D1D2D3D4D5D6'X /* 4- */  
'D7D8D9E2E3E4E5E6E7E8E9BAE0BBB06D'X /* 5- */  
'79818283848586878889919293949596'X /* 6- */  
'979899A2A3A4A5A6A7A8A9C04FD0A100'X /* 7- */  
'000000000000000000000000000000'X /* 8- */  
'000000000000000000000000000000'X /* 9- */  
'000000000000000000000000000000'X /* A- */  
'000000000000000000000000000000'X /* B- */  
'000000000000000000000000000000'X /* C- */  
'000000000000000000000000000000'X /* D- */  
'000000000000000000000000000000'X /* E- */  
'000000000000000000000000000000'X /* F- */  
  
:DEBCTBL  
DATA =  
/* -0-1-2-3-4-5-6-7-8-9-A-B-C-D-E-F */  
'202020202020202020202020202020'X /* 0- */  
'202020202020202020202020202020'X /* 1- */
```



## Source Code for 3151 ASCII Display

```
DATA = '1B3444'X.  
:ATRCMD  
CTLCHAR = '29'X  
DATA = '1B3445'X.  
:ATRCMD  
CTLCHAR = '2A'X  
DATA = '1B344C'X.  
:ATRCMD  
CTLCHAR = '2B'X  
DATA = '1B344D'X.  
:ATRCMD  
CTLCHAR = '2C'X  
DATA = '1B3446'X.  
:ATRCMD  
CTLCHAR = '2D'X  
DATA = '1B3447'X.  
:ATRCMD  
CTLCHAR = '2E'X  
DATA = '1B344E'X.  
:ATRCMD  
CTLCHAR = '2F'X  
DATA = '1B3440'X.  
:ATRCMD  
CTLCHAR = '30'X  
DATA = '1B3440'X.  
:ATRCMD  
CTLCHAR = '31'X  
DATA = '1B3441'X.  
:ATRCMD  
CTLCHAR = '32'X  
DATA = '1B3448'X.  
:ATRCMD  
CTLCHAR = '33'X  
DATA = '1B3449'X.  
:ATRCMD  
CTLCHAR = '34'X  
DATA = '1B3442'X.  
:ATRCMD  
CTLCHAR = '35'X  
DATA = '1B3443'X.  
:ATRCMD  
CTLCHAR = '36'X  
DATA = '1B344A'X.  
:ATRCMD  
CTLCHAR = '37'X  
DATA = '1B3440'X.  
:ATRCMD  
CTLCHAR = '38'X  
DATA = '1B3444'X.  
:ATRCMD  
CTLCHAR = '39'X  
DATA = '1B3445'X.  
:ATRCMD  
CTLCHAR = '3A'X  
DATA = '1B344C'X.  
:ATRCMD  
CTLCHAR = '3B'X  
DATA = '1B344D'X.  
:ATRCMD  
CTLCHAR = '3C'X  
DATA = '1B3446'X.  
:ATRCMD  
CTLCHAR = '3D'X  
DATA = '1B3447'X.  
:ATRCMD  
CTLCHAR = '3E'X  
DATA = '1B344E'X.
```

## Source Code for 3151 ASCII Display

```
:ATRCMD
  CTLCHAR = '3F'X
  DATA = '1B3440'X.
:SETUP
  DATA = '1B283A1B293A'X.
:GCS
  DATA = '1B3E41'X.
:ACS
  DATA = '1B3C40'X.
:NLCS
  DATA = '1B3E42'X.
:CLRSCN
  DATA = '1B214C'X.
:CSRADR
  ROWTENS = 3
  ROWONES = 0
  COLHUNDS = 4
  COLTENS = 0
  COLONES = 0
  DATA = '1B582020'X.
:INSCSR
  DATA = '1B5A'X.
:ALARM
  DATA = '07'X.
:XCSRADR
  ROW = 4
  COLHIGH = 5
  COLLOW = 6
  DATA = '1B7820202040'X.
:SCNSIZE
  SIZE = 1920
  DATA = '1B2072212120382250'X.
:SCNSIZE
  SIZE = 2000
  DATA = '1B20722121203C2250'X.
:SCNSIZE
  SIZE = 3564
  DATA = '1B20722121203C2444'X.
:STRBYP
  DATA = '1012'X.
:ENDBYP
  DATA = '1014'X.

:DKBDTBL.
:ATN
  DATA = '01'X.
:BSP
  DATA = '08'X.
:CSRUP
  DATA = '1B41'X.
:CSRDOWN
  DATA = '1B42'X.
:CSRLEFT
  DATA = '1B44'X.
:CSRRIGHT
  DATA = '1B43'X.
:DLT
  DATA = '1B51'X.
:DUP
  DATA = '04'X.
:ENTER
  DATA = '1B3803'X.
:ERSINP
  DATA = '1B4B'X.
:ERRRESET
  DATA = '1B217A03'X.
:ERRRESET
```



## Source Code for 3151 ASCII Display

```
DATA = '12'X.
:ERRRESET
DATA = '1B72'X.
:ERRRESET
DATA = '1B52'X.
:FLDPLUS
DATA = '1B2B'X.
:FLDMINUS
DATA = '1B4D'X.
:FLDMINUS
DATA = '1B6D'X.
:FLDMINUS
DATA = '1B2D'X.
:FLDEXIT
DATA = '0D'X.
:HELP
DATA = '1B3F'X.
:HOME
DATA = '1B48'X.
:INSERT
DATA = '1B502008'X.
:NEWLINE
DATA = '0A'X.
:PRINT
DATA = '1B5703'X.
:PRINT
DATA = '10'X.
:PAGUP
DATA = '1B04'X.
:PAGDOWN
DATA = '1B15'X.
:SYSREQ
DATA = '1B53'X.
:SYSREQ
DATA = '1B73'X.
:FLDADV
DATA = '09'X.
:FLDBSP
DATA = '1B32'X.
:CLEAR
DATA = '1B4C03'X.
:TSTREQ
DATA = '14'X.
:TSTREQ
DATA = '1B54'X.
:TSTREQ
DATA = '1B74'X.
:HEX
DATA = '1B60'X.
:FKEY
KEY = F1
DATA = '1B6103'X.
:FKEY
KEY = F2
DATA = '1B6203'X.
:FKEY
KEY = F3
DATA = '1B6303'X.
:FKEY
KEY = F4
DATA = '1B6403'X.
:FKEY
KEY = F5
DATA = '1B6503'X.
:FKEY
KEY = F6
DATA = '1B6603'X.
```

## Source Code for 3151 ASCII Display

```
:FKEY
  KEY = F7
  DATA = '1B6703'X.
:FKEY
  KEY = F8
  DATA = '1B6803'X.
:FKEY
  KEY = F9
  DATA = '1B6903'X.
:FKEY
  KEY = F10
  DATA = '1B6A03'X.
:FKEY
  KEY = F11
  DATA = '1B6B03'X.
:FKEY
  KEY = F12
  DATA = '1B6C03'X.
:FKEY
  KEY = F13
  DATA = '1B216103'X.
:FKEY
  KEY = F14
  DATA = '1B216203'X.
:FKEY
  KEY = F15
  DATA = '1B216303'X.
:FKEY
  KEY = F16
  DATA = '1B216403'X.
:FKEY
  KEY = F17
  DATA = '1B216503'X.
:FKEY
  KEY = F18
  DATA = '1B216603'X.
:FKEY
  KEY = F19
  DATA = '1B216703'X.
:FKEY
  KEY = F20
  DATA = '1B216803'X.
:FKEY
  KEY = F21
  DATA = '1B216903'X.
:FKEY
  KEY = F22
  DATA = '1B216A03'X.
:FKEY
  KEY = F23
  DATA = '1B216B03'X.
:FKEY
  KEY = F24
  DATA = '1B216C03'X.
:CSRSEL
  DATA = '03'X.
:ERSEOF
  DATA = '05'X.
:ERSEOF
  DATA = '1B49'X.
:FLDMRK
  DATA = '06'X.
:PA1
  DATA = '1B216D03'X.
:PA1
  DATA = '1B5031'X.
:PA1
```

## Source Code for 3151 ASCII Display

```
DATA = '1B7031'X.
:PA2
DATA = '1B216E03'X.
:PA2
DATA = '1B5032'X.
:PA2
DATA = '1B7032'X.
:PA3
DATA = '1B216F03'X.
:PA3
DATA = '1B5033'X.
:PA3
DATA = '1B7033'X.
:FCSRLEFT
DATA = '1B3C'X.
:FCSRRIGHT
DATA = '1B3E'X.
:RQDTAB
DATA = '1B1B09'X.
:WORDUS
DATA = '1B1B57'X.
:WORDUS
DATA = '1B1B77'X.
:HLFIDXUP
DATA = '1B1B59'X.
:HLFIDXUP
DATA = '1B1B79'X.
:STRUS
DATA = '1B1B55'X.
:STRUS
DATA = '1B1B75'X.
:PAGEND
DATA = '1B1B50'X.
:PAGEND
DATA = '1B1B70'X.
:STOPCODE
DATA = '1B1B53'X.
:STOPCODE
DATA = '1B1B73'X.
:HLFIDXDN
DATA = '1B1B48'X.
:HLFIDXDN
DATA = '1B1B68'X.
:END
DATA = '1B1B4A'X.
:END
DATA = '1B1B6A'X.
:CARRTN
DATA = '1B1B0D'X.
:FWDTAB
DATA = '1B1B1B09'X.
:CENTER
DATA = '1B1B43'X.
:CENTER
DATA = '1B1B63'X.
:BOLD
DATA = '1B1B42'X.
:BOLD
DATA = '1B1B62'X.
:NEXTSTOP
DATA = '1B1B4E'X.
file:NEXTSTOP
DATA = '1B1B6E'X.
:DSPSYM
DATA = '1B1B1B48'X.
:TOPPAG
DATA = '1B1B1B41'X.
```

## Source Code for 3151 ASCII Display

```
:RQDSPC
  DATA = '1B1B20'X.
:BOTPAG
  DATA = '1B1B1B42'X.
:STRLINE
  DATA = '1B1B1B44'X.
:ENDLINE
  DATA = '1B1B1B43'X.
:SCNREFRESH
  DATA = '1B01'X.
:TOGIND
  DATA = '1B17'X.
:DISC
  DATA = '1B12'X.
:READSTS
  DATA = '1B36'X.
:EWSCST.
```

---

## Source Code for 4029 ASCII Printer That Uses the Host Print Transform Function

The source for this example is created when you use the Retrieve Work Station Customizing Object Source (RTVWSCST) command specifying the following parameters:

Device type	DEVTYPE(TRANSFORM)
Manufacturer, model, type	*IBM4029

```
:WSCST DEVCLASS=TRANSFORM.
```

```
:TRNSFRMTBL.
:PRTDTASTRM
  DATASTREAM=IBMPPDS4.
:NOPRTBDR
  OPTION=TOP
  ORIENT=PORTRAIT
  DATA = 240.
:NOPRTBDR
  OPTION=LEFT
  ORIENT=PORTRAIT
  DATA = 360.
:NOPRTBDR
  OPTION=RIGHT
  ORIENT=PORTRAIT
  DATA = 360.
:NOPRTBDR
  OPTION=BOTTOM
  ORIENT=PORTRAIT
  DATA = 240.
:NOPRTBDR
  OPTION=TOP
  ORIENT=LANDSCAPE
  DATA = 360.
:NOPRTBDR
  OPTION=LEFT
  ORIENT=LANDSCAPE
  DATA = 240.
:NOPRTBDR
  OPTION=RIGHT
  ORIENT=LANDSCAPE
  DATA = 240.
:NOPRTBDR
  OPTION=BOTTOM
```

## Source Code for 4029 ASCII Printer

```
ORIENT=LANDSCAPE
DATA = 360.
:INIPRT
DATA = '1B5B4B050006310100A111141B461B481B541B57001B35001B2D001B5801FF1B5B5
C0400900090001B36'X.
:RESETPRT
DATA = '1B4F1B541B57001B2D001B35001B5B5C020048001B5801FF1B5B460300030101'X.

:SPACE
DATA = '20'X.
:BSP
DATA = '08'X.
:CARRTN
DATA = '0D'X.
:FORMFEED
DATA = '0C'X.
:LINEFEED
DATA = '0A'X.
:RVSLINEFEED
DATA = '1B5D'X.
:VERRMOV
DIRECTION=UPDOWN
VAROFFSET= 9
VARLEN= 2
VARTYPE=HIGHLOW
CNVNUM= 1
CNVDEN= 1440
DATA = '1B5B510600030100000000'X.
:HORRMOV
DIRECTION=FWD
VAROFFSET= 2
VARLEN= 2
VARTYPE=LOWHIGH
CNVNUM= 1
CNVDEN= 120
DATA = '1B640000'X.
:HORRMOV
DIRECTION=BCK
VAROFFSET= 2
VARLEN= 2
VARTYPE=LOWHIGH
CNVNUM= 1
CNVDEN= 120
DATA = '1B650000'X.
:STRBOLD
DATA = '1B451B47'X.
:ENDBOLD
DATA = '1B461B48'X.
:STRSUBS
DATA = '1B5301'X.
:ENDSUBS
DATA = '1B54'X.
:STRSUPS
DATA = '1B5300'X.
:ENDSUPS
DATA = '1B54'X.
:STRUS
DATA = '1B2D01'X.
:ENDUS
DATA = '1B2D00'X.
:VARLSPC
VAROFFSET= 11
VARLEN= 1
VARTYPE=LOWHIGH
CNVNUM= 1
CNVDEN= 144
DATA = '1B5B5C0400900090001B41001B32'X.
```

## Source Code for 4029 ASCII Printer

```
:CPICOR
  CPI=10
  ASCIIFNT= 254
  FNTWTH= 84
  FNTATR= 1
  DATA ='X.
:CPICOR
  CPI=12
  ASCIIFNT= 254
  FNTWTH= 84
  FNTATR= 1
  DATA ='X.
:CPICOR
  CPI=15
  ASCIIFNT= 254
  FNTWTH= 84
  FNTATR= 1
  DATA ='X.
:PRTORIENT
  ORIENT=PORTRAIT
  DATA ='1B5B790300000001'X.
:PRTORIENT
  ORIENT=LANDSCAPE
  DATA ='1B5B790300438001'X.
:PRTORIENT
  ORIENT=RTT180
  DATA ='1B5B7903002D0001'X.
:PRTORIENT
  ORIENT=RTT270
  DATA ='1B5B790300168001'X.
:DWRSLT
  DRAWER=PAPER
  DATA ='1B5B460300010100'X.
:DWRSLT
  DRAWER=ENVELOPE
  DATA ='1B5B460300030200'X.
:DWRSLT
  DRAWER=DRAWER1
  DATA ='1B5B460300030101'X.
:DWRSLT
  DRAWER=DRAWER2
  DATA ='1B5B460300030102'X.
:PAGLENI
  VAROFFSET= 3
  VARLEN= 1
  VARTYPE=LOWHIGH
  CNVNUM= 1
  CNVDEN= 1
  DATA ='1B430000'X.
:PAGLENL
  VAROFFSET= 2
  VARLEN= 1
  VARTYPE=LOWHIGH
  DATA ='1B4300'X.
:PAGSIZXFM.
:PAGSIZE
  PAGWTH= 8352
  PAGLEN=11952
  DATA ='1B5B4605000000000600'X.
:PAGSIZE
  PAGWTH=10368
  PAGLEN=14544
  DATA ='1B5B4605000000000300'X.
:PAGSIZE
  PAGWTH=10440
  PAGLEN=15120
  DATA ='1B5B4605000000000500'X.
```

## Source Code for 4029 ASCII Printer

```
:PAGSIZE
  PAGWTH=12240
  PAGLEN=15840
  DATA ='1B5B4605000000000100'X.
:PAGSIZE
  PAGWTH=11952
  PAGLEN=16848
  DATA ='1B5B4605000000000400'X.
:PAGSIZE
  PAGWTH=12240
  PAGLEN=20160
  DATA ='1B5B4605000000000200'X.
:EPAGSIZXFM.
:ENVSIZXFM.
:ENVSIZ
  ENVWTH=10800
  ENVLEN= 5580
  DATA ='1B5B4605000000000100'X.
:ENVSIZ
  ENVWTH=12780
  ENVLEN= 5580
  DATA ='1B5B4605000000000200'X.
:ENVSIZ
  ENVWTH=13680
  ENVLEN= 5940
  DATA ='1B5B4605000000000300'X.
:ENVSIZ
  ENVWTH=12528
  ENVLEN= 6192
  DATA ='1B5B4605000000000400'X.
:ENVSIZ
  ENVWTH=12960
  ENVLEN= 9216
  DATA ='1B5B4605000000000500'X.
:ENVSIZ
  ENVWTH=14112
  ENVLEN= 9936
  DATA ='1B5B4605000000000600'X.
:EENVSIZXFM.
:ASCCPINFO.
:CODEPAGE
  CODEPAGE= 437
  DATA ='1B5B540400000001B5'X.
:ASCICTL
  ASCII='14'X
  DATA ='1B5E14'X.
:ASCICTL
  ASCII='15'X
  DATA ='1B5E15'X.
:ASCICTL
  ASCII='0F'X
  DATA ='1B5E0F'X.
:CODEPAGE
  CODEPAGE= 850
  DATA ='1B5B54040000000352'X.
:ASCICTL
  ASCII='14'X
  DATA ='1B5E14'X.
:ASCICTL
  ASCII='15'X
  DATA ='1B5E15'X.
:ASCICTL
  ASCII='0F'X
  DATA ='1B5E0F'X.
:CODEPAGE
  CODEPAGE= 851
  DATA ='1B5B54040000000353'X.
```

## Source Code for 4029 ASCII Printer

```
:ASCICTL
  ASCII='14'X
  DATA ='1B5E14'X.
:ASCICTL
  ASCII='15'X
  DATA ='1B5E15'X.
:ASCICTL
  ASCII='0F'X
  DATA ='1B5E0F'X.
:CODEPAGE
  CODEPAGE= 852
  DATA ='1B5B54040000000354'X.
:ASCICTL
  ASCII='14'X
  DATA ='1B5E14'X.
:ASCICTL
  ASCII='15'X
  DATA ='1B5E15'X.
:ASCICTL
  ASCII='0F'X
  DATA ='1B5E0F'X.
:CODEPAGE
  CODEPAGE= 856
  DATA ='1B5B54040000000358'X.
:ASCICTL
  ASCII='14'X
  DATA ='1B5E14'X.
:ASCICTL
  ASCII='15'X
  DATA ='1B5E15'X.
:ASCICTL
  ASCII='0F'X
  DATA ='1B5E0F'X.
:CODEPAGE
  CODEPAGE= 857
  DATA ='1B5B54040000000359'X.
:ASCICTL
  ASCII='14'X
  DATA ='1B5E14'X.
:ASCICTL
  ASCII='15'X
  DATA ='1B5E15'X.
:ASCICTL
  ASCII='0F'X
  DATA ='1B5E0F'X.
:CODEPAGE
  CODEPAGE= 860
  DATA ='1B5B5404000000035C'X.
:ASCICTL
  ASCII='14'X
  DATA ='1B5E14'X.
:ASCICTL
  ASCII='15'X
  DATA ='1B5E15'X.
:ASCICTL
  ASCII='0F'X
  DATA ='1B5E0F'X.
:CODEPAGE
  CODEPAGE= 861
  DATA ='1B5B5404000000035D'X.
:ASCICTL
  ASCII='14'X
  DATA ='1B5E14'X.
:ASCICTL
  ASCII='15'X
  DATA ='1B5E15'X.
:ASCICTL
```



```

ASCII='0F'X
DATA ='1B5E0F'X.
:CODEPAGE
CODEPAGE= 862
DATA ='1B5B5404000000035E'X.
:ASCIICTL
ASCII='14'X
DATA ='1B5E14'X.
:ASCIICTL
ASCII='15'X
DATA ='1B5E15'X.
:ASCIICTL
ASCII='0F'X
DATA ='1B5E0F'X.
:CODEPAGE
CODEPAGE= 863
DATA ='1B5B5404000000035F'X.
:ASCIICTL
ASCII='14'X
DATA ='1B5E14'X.
:ASCIICTL
ASCII='15'X
DATA ='1B5E15'X.
:ASCIICTL
ASCII='0F'X
DATA ='1B5E0F'X.
:CODEPAGE
CODEPAGE= 864
DATA ='1B5B54040000000360'X.
:ASCIICTL
ASCII='14'X
DATA ='1B5E14'X.
:ASCIICTL
ASCII='15'X
DATA ='1B5E15'X.
:ASCIICTL
ASCII='0F'X
DATA ='1B5E0F'X.
:CODEPAGE
CODEPAGE= 865
DATA ='1B5B54040000000361'X.
:ASCIICTL
ASCII='14'X
DATA ='1B5E14'X.
:ASCIICTL
ASCII='15'X
DATA ='1B5E15'X.
:ASCIICTL
ASCII='0F'X
DATA ='1B5E0F'X.
:CODEPAGE
CODEPAGE= 869
DATA ='1B5B54040000000365'X.
:ASCIICTL
ASCII='14'X
DATA ='1B5E14'X.
:ASCIICTL
ASCII='15'X
DATA ='1B5E15'X.
:ASCIICTL
ASCII='0F'X
DATA ='1B5E0F'X.
:CODEPAGE
CODEPAGE= 874
DATA ='1B5B5404000000036A'X.
:ASCIICTL
ASCII='14'X

```

## Source Code for 4029 ASCII Printer

```
DATA = '1B5E14'X.
:ASCICTL
  ASCII='15'X
  DATA = '1B5E15'X.
:ASCICTL
  ASCII='0F'X
  DATA = '1B5E0F'X.
:CODEPAGE
  CODEPAGE= 899
  DATA = '1B5B54040000000383'X.
:CODEPAGE
  CODEPAGE= 1051
  DATA = '1B5B5404000000041B'X.
:EASCCPINFO.
:HORAMOV
  VAROFFSET= 7
  VARLEN= 2
  VARTYPE=HIGHLOW
  CNVNUM= 1
  CNVDEN= 1440
  DATA = '1B5B5104000A010000'X.
:VERAMOV
  VAROFFSET= 7
  VARLEN= 2
  VARTYPE=HIGHLOW
  CNVNUM= 1
  CNVDEN= 1440
  DATA = '1B5B5104000B010000'X.
:PRTNXTCHR
  DATA = '1B5E'X.
:PRTANGLE
  ANGLE=0
  DATA = '1B5B790300000000'X.
:PRTANGLE
  ANGLE=90
  DATA = '1B5B790300438000'X.
:PRTANGLE
  ANGLE=180
  DATA = '1B5B7903002D0000'X.
:PRTANGLE
  ANGLE=270
  DATA = '1B5B790300168000'X.
:EWSCST.
```

---

## Source Code for 4019 ASCII Printer That Uses the Emulator on the Controller

The source for this example is created when you use the Retrieve Work Station Customizing Object Source (RTVWSCST) command specifying the following parameters:

Device type	DEVTYPE(4019)
Keyboard language type	KBDTYPE(USI)

```
:WSCST DEVCLASS=ASCIIPRT.
```

```
:PDFTMAPTBL.
:PDFTEBCTBL
  DATA =
/* -0-1-2-3-4-5-6-7-8-9-A-B-C-D-E-F */
  '2020838485A0C68687A45B2E3C282B21'X /* 4- */
  '268288898AA18C8B8DE15D242A293B5E'X /* 5- */
  '2D2FB68EB7B5C78F80A5DD2C255F3E3F'X /* 6- */
```

## Source Code for 4019 ASCII Printer

```

'9B90D2D3D4D6D7D8DE603A2340273D22'X /* 7- */
'9D616263646566676869AEAFD0ECE7F1'X /* 8- */
'F86A6B6C6D6E6F707172A6A791F792CF'X /* 9- */
'E67E737475767778797ADA8D1EDE8A9'X /* A- */
'BD9CBE169FF5F4ACABF3AA7CEEF9EFF2'X /* B- */
'7B4142434445464748492D939495A2E4'X /* C- */
'7D4A4B4C4D4E4F505152FB968197A398'X /* D- */
'5C20535455565758595AFDE299E3E0E5'X /* E- */
'30313233343536373839FCEA9AEBE900'X. /* F- */
:PFNTWTH
DATA =
/* -0-1-2-3-4-5-6-7-8-9-A-B-C-D-E-F */
'0A0A0A0A0A0A0A0A0A0C0A0A0A0A0A'X /* 4- */
'0C0A0A0A0A060606060C0A0A0A0A0A'X /* 5- */
'0A0A0E0E0E0E0E0E0E0E0A0A0A0A0A'X /* 6- */
'0A0C0C0C0C080808080A0A0A0A060A0A'X /* 7- */
'0E0A0C0A0C0A080C0C060E0E0C0C0C0A'X /* 8- */
'0A060C060E0C0A0C0C0A0A0A0E0A0E0A'X /* 9- */
'0C0A0A080C0C0E0C0C0A0A0A0E0E0E0A'X /* A- */
'0A0A0A0A0A0A0A0A0A0A0A0A0A0A0A'X /* B- */
'0A0E0E0E0E0C0C0E0E0E080A0A0A0A0A'X /* C- */
'0A0A0E0C0E0E0E0C0E0E060C0C0C0C'X /* D- */
'0A0A0C0E0E0E0E0E0C0A0E0E0E0E'X /* E- */
'0A0A0A0A0A0A0A0A0A0A0A0E0E0E0A'X. /* F- */
:EPDFTMAPTBL.

:PFCNTBL.
:DFTFNTID
CPI=10
DEFAULT= 11.
:DFTFNTID
CPI=12
DEFAULT= 85.
:DFTFNTID
CPI=171
DEFAULT= 254.
:DFTFNTID
CPI=PROP
DEFAULT= 159.
:DFTFNTID
CPI=5
DEFAULT= 244.
:DFTFNTID
CPI=855
DEFAULT= 265.
:DFTFNTID
CPI=133
DEFAULT= 204.
:DFTFNTID
CPI=15
DEFAULT= 223.
:DFTFNTID
CPI=20
DEFAULT= 281.
:DFTFNTID
CPI=27
DEFAULT= 290.
:VARLSPC
VAROFFSET= 11
VARLEN= 1
VARTYPE=LOWHIGH
VARMAX= 255
ADJUST= 0
CNVNUM= 10
CNVDEN= 1
DATA ='1B5B5C0400900090001B41101B32'X.
:PAGLENI

```

## Source Code for 4019 ASCII Printer

```
VAROFFSET= 3
VARLEN= 1
VARTYPE=LOWHIGH
VARMAX= 255
ADJUST= 0
CNVNUM= 1440
CNVDEN= 1
DATA ='1B43000B'X.
:PAGLENL
VAROFFSET= 2
VARLEN= 1
VARTYPE=LOWHIGH
VARMAX= 255
ADJUST= 0
DATA ='1B4342'X.
:CODPAGVAR
VAROFFSET= 7
VARLEN= 2
VARTYPE=HIGHLOW
DATA ='1B5B54050000000035200'X.
:FNTGPFT
DATA ='1B5B4905000000000000'X.
:FWRMOV
VAROFFSET= 2
VARLEN= 2
VARTYPE=LOWHIGH
VARMAX=32767
ADJUST= 0
CNVNUM= 12
CNVDEN= 1
DATA ='1B640F00'X.
:BCKRMOV
VAROFFSET= 2
VARLEN= 2
VARTYPE=LOWHIGH
VARMAX=32767
ADJUST= 0
CNVNUM= 12
CNVDEN= 1
DATA ='1B650F00'X.
:CPI
CPI=5
DATA ='00121B5701'X.
:CPI
CPI=855
DATA ='00120F1B5701'X.
:CPI
CPI=10
DATA ='1B570012'X.
:STRPROP
DATA ='1B57001B5001'X.
:CPI
CPI=12
DATA ='1B5700121B3A'X.
:CPI
CPI=15
DATA ='1B5700120F'X.
:CPI
CPI=171
DATA ='1B5700120F'X.
:FONTQLTY
FONTCPI=10
QLTYTYPE=DRAFT
DATA ='1B490112'X.
:FONTQLTY
FONTCPI=12
QLTYTYPE=DRAFT
```

## Source Code for 4019 ASCII Printer

```
DATA ='1B49011B3A'X.
:FONTQLTY
  FONTCPI=171
  QLTYTYPE=DRAFT
  DATA ='1B49010F'X.
:FONTQLTY
  FONTCPI=PROP
  QLTYTYPE=DRAFT
  DATA ='1B49011B3A'X.
:FONTQLTY
  FONTCPI=10
  QLTYTYPE=LETTER
  DATA ='1B490312'X.
:FONTQLTY
  FONTCPI=12
  QLTYTYPE=LETTER
  DATA ='1B49031B3A'X.
:FONTQLTY
  FONTCPI=171
  QLTYTYPE=LETTER
  DATA ='1B49030F'X.
:FONTQLTY
  FONTCPI=PROP
  QLTYTYPE=LETTER
  DATA ='1B49031B3A'X.
:FONTQLTY
  FONTCPI=10
  QLTYTYPE=TEXT
  DATA ='1B490212'X.
:FONTQLTY
  FONTCPI=12
  QLTYTYPE=TEXT
  DATA ='1B49021B3A'X.
:FONTQLTY
  FONTCPI=171
  QLTYTYPE=TEXT
  DATA ='1B49020F'X.
:FONTQLTY
  FONTCPI=PROP
  QLTYTYPE=TEXT
  DATA ='1B49021B3A'X.
:STRBOLD
  DATA ='1B45'X.
:ENDBOLD
  DATA ='1B46'X.
:PRTFEED
  FEEDTYPE=MANUAL
  DATA ='1B5B460300010100'X.
:DWRSLT
  DRAWER=DRAWER1
  DATA ='1B5B460300030101'X.
:DWRSLT
  DRAWER=DRAWER2
  DATA ='1B5B460300030102'X.
:DWRSLT
  DRAWER=ENVELOPE
  DATA ='1B5B460300030200'X.
:PRTORIENT
  ORIENT=PORTRAIT
  DATA ='1B6B'X.
:PRTORIENT
  ORIENT=LANDSCAPE
  DATA ='1B6C'X.
:PRTORIENT
  ORIENT=RTT180
  DATA ='1B6B'X.
:PRTORIENT
```

## Source Code for 4019 ASCII Printer

```
ORIENT=RTT270
DATA ='1B6C'X.
:STRUS
DATA ='1B2D01'X.
:ENDUS
DATA ='1B2D00'X.
:STRSUPS
DATA ='1B5300'X.
:ENDSUPS
DATA ='1B54'X.
:STRSUBS
DATA ='1B5301'X.
:ENDSUBS
DATA ='1B54'X.
:RVSIDX
DATA ='1B5D'X.
:INITVON
DATA ='00001B5B4B0700063101840024B8
1B5B5C0400900090001B5B540500
00000352001B6B'X.
:INITPRT
DATA ='1B5B4B03000031011B5B5C020090
001B5B5405000000035200'X.
:SPACE
DATA ='20'X.
:BELL
DATA ='07'X.
:CARRTN
DATA ='0D'X.
:LINEFEED
DATA ='0A'X.
:FORMFEED
DATA ='0C'X.
:PRTCTL
DATA ='00'X.
:BSP
DATA ='08'X.
:COLLATE
DATA = 12.
:PAGSIZPFT
PAGWTH=12240
PAGLEN=20160
PAPER=MANUAL.
:PAGSIZPFT
PAGWTH=12240
PAGLEN=15840
PAPER=DRAWER1.
:PAGSIZPFT
PAGWTH=12240
PAGLEN=15840
PAPER=DRAWER2.
:PAGSIZPFT
PAGWTH=12240
PAGLEN= 5760
PAPER=ENVELOPE.
:MARGIN
OPTION=TOP
ORIENT=PORTRAIT
DATA = 240.
:MARGIN
OPTION=LEFT
ORIENT=PORTRAIT
DATA = 360.
:MARGIN
OPTION=RIGHT
ORIENT=PORTRAIT
DATA = 360.
```

## Source Code for 4019 ASCII Printer

```

:MARGIN
  OPTION=BOTTOM
  ORIENT=PORTRAIT
  DATA = 240.
:MARGIN
  OPTION=TOP
  ORIENT=LANDSCAPE
  DATA = 360.
:MARGIN
  OPTION=LEFT
  ORIENT=LANDSCAPE
  DATA = 240.
:MARGIN
  OPTION=RIGHT
  ORIENT=LANDSCAPE
  DATA = 240.
:MARGIN
  OPTION=BOTTOM
  ORIENT=LANDSCAPE
  DATA = 360.
:ASCICTL
  ASCII='16'X
  DATA ='1B5B540500000201B5009E1B5B54050
        00000035200'X.
:ASCICTL
  ASCII='14'X
  DATA ='1B5E14'X.
:ASCICTL
  ASCII='15'X
  DATA ='1B5E15'X.
:ASCICTL
  ASCII='18'X
  DATA ='1B5E18'X.

:PMLGMAPTBL.

:PMLGEBCTBL
  EBCDICCP= 29
  ASCIIICP= 850
  DATA =
/* -0-1-2-3-4-5-6-7-8-9-A-B-C-D-E-F */
'2020838485A0C68687A4E82E3C282B21'X /* 4- */
'268288898AA18C8B8DE192242A293B99'X /* 5- */
'2D2FB68EB7B5C78F80A5DD2C255F3E3F'X /* 6- */
'9B90D2D3D4D6D7D8DED03A23D1273D22'X /* 7- */
'9D616263646566676869AEAF60EC7BF1'X /* 8- */
'F86A6B6C6D6E6F707172A6A77DF75DCF'X /* 9- */
'E694737475767778797AADA840ED5BA9'X /* A- */
'BD9CBEFAB8F5F4ACABF3AA7CEEF95C9E'X /* B- */
'E7414243444546474849F0937E95A2E4'X /* C- */
'914A4B4C4D4E4F505152FB968197A398'X /* D- */
'EFF6535455565758595AFDE25EE3E0E5'X /* E- */
'30313233343536373839FCEA9AEBE900'X. /* F- */

:PFNTWTH
  DATA =
/* -0-1-2-3-4-5-6-7-8-9-A-B-C-D-E-F */
'0A0A0A0A0A0A0A0A0A0C0E0A0A0A0A0A'X /* 4- */
'0C0A0A0A0A060606060C0E0A0A0A0A0E'X /* 5- */
'0A0A0E0E0E0E0E0E0E0E0A0A0A0A0A'X /* 6- */
'0A0C0C0C0C080808080C0A0A0E060A0A'X /* 7- */
'0E0A0C0A0C0A080C0C060E0E0A0C0A0A'X /* 8- */
'0A060C060E0C0A0C0C0A0A0A0A0A0A'X /* 9- */
'0C0A0A080C0C0E0C0C0A0A0A0A0E0A0A'X /* A- */
'0A0A0A0A0A0A0A0A0A0A0A0A0A0A0A'X /* B- */
'0C0E0E0E0E0C0C0E0E080A0A0A0A0A'X /* C- */
'0E0A0E0C0E0E0E0C0E0E060C0C0C0C'X /* D- */
'0A0A0C0E0E0E0E0E0C0A0E0A0E0E0E'X /* E- */

```

## Source Code for 4019 ASCII Printer

```

'0A0A0A0A0A0A0A0A0A0A0A0E0E0E0A'X.      /* F- */

:PMLGEBCTBL
EBCDICCP= 30
ASCIIICP= 853
DATA =
/* -0-1-2-3-4-5-6-7-8-9-A-B-C-D-E-F */
'2020838485A000917BA4802E3C282B21'X      /* 4- */
'268288898AA18C8B8DE1A6982A293B5E'X      /* 5- */
'2D2FB686B7B500925BA5AD2C255F3E3F'X      /* 6- */
'0090D2D3D4D6D7D8DED53A99B8273D9A'X      /* 7- */
'F4616263646566676869E886C7ED007C'X      /* 8- */
'F86A6B6C6D6E6F707172A99B9FF700CF'X      /* 9- */
'E694737475767778797AE78FC6EC0040'X      /* A- */
'FA9CBE7DBDF55D00AB24A89DACF9EF9E'X      /* B- */
'87414243444546474849F0937E95A2E5'X      /* C- */
'A74A4B4C4D4E4F50515260965C81A300'X      /* D- */
'81F6535455565758595AFDE223E3E0E4'X      /* E- */
'30313233343536373839FCEA22EBE900'X.      /* F- */

:PFNTWTH
DATA =
/* -0-1-2-3-4-5-6-7-8-9-A-B-C-D-E-F */
'0A0A0A0A0A0A0A0A0A0C0E0A0A0A0A'X      /* 4- */
'0C0A0A0A0A060606060C0E080A0A0A'X      /* 5- */
'0A0A0E0E0E0E0E0E0A0E0A0A0A0A'X      /* 6- */
'0A0C0C0C0C080808080A0E0C060A0E'X      /* 7- */
'0A0A0C0A0C0A080C0C060C0A0A0C0C0A'X      /* 8- */
'0A060C060E0C0A0C0C0A0C0C060A0E0A'X      /* 9- */
'0C0A0A080C0C0E0C0C0A0E0E0C0E0A'X      /* A- */
'0A0A0A0A0C0A0A0A0A0A0E0C0E0A0A'X      /* B- */
'0A0E0E0E0E0C0C0E0E080A0A0A0A0C'X      /* C- */
'0C0A0E0C0E0E0E0C0E0E0A0C0A0C0C'X      /* D- */
'0C0A0C0E0E0E0E0E0E0C0A0E0A0E0E'X      /* E- */
'0A0A0A0A0A0A0A0A0A0A0A0E0A0E0A'X.      /* F- */

:PMLGEBCTBL
EBCDICCP= 37
ASCIIICP= 850
DATA =
/* -0-1-2-3-4-5-6-7-8-9-A-B-C-D-E-F */
'2020838485A0C68687A4BD2E3C282B7C'X      /* 4- */
'26828889BAA18C8B8DE121242A293BAA'X      /* 5- */
'2D2FB68EB7B5C78F80A5DD2C255F3E3F'X      /* 6- */
'9B90D2D3D4D6D7D8DE603A2340273D22'X      /* 7- */
'9D616263646566676869AEAFD0ECE7F1'X      /* 8- */
'F86A6B6C6D6E6F707172A6A791F792CF'X      /* 9- */
'E67E737475767778797ADA8D1EDE8A9'X      /* A- */
'5E9CBFA9FF5F4ACABF35B5DEEF9EFF2'X      /* B- */
'7B414243444546474849F0939495A2E4'X      /* C- */
'7D4A4B4C4D4E4F505152D5968197A398'X      /* D- */
'5C20535455565758595AFDE299E3E0E5'X      /* E- */
'30313233343536373839FCEA9AEBE900'X.      /* F- */

:PFNTWTH
DATA =
/* -0-1-2-3-4-5-6-7-8-9-A-B-C-D-E-F */
'0A0A0A0A0A0A0A0A0C0A0A0A0A0A'X      /* 4- */
'0C0A0A0A0A060606060C0A0A0A0A0A'X      /* 5- */
'0A0A0E0E0E0E0E0E0A0A0A0A0A0A'X      /* 6- */
'0A0C0C0C0C080808080A0A0A0A060A0A'X      /* 7- */
'0E0A0C0A0C0A080C0C060E0E0C0C0C0A'X      /* 8- */
'0A060C060E0C0A0C0C0A0A0A0E0A0E0A'X      /* 9- */
'0C0A0A080C0C0E0C0C0A0A0A0E0E0A'X      /* A- */
'0A0A0A0A0A0A0A0A0A0A0A0A0A0A0A'X      /* B- */
'0A0E0E0E0E0C0C0E0E080A0A0A0A0A'X      /* C- */
'0A0A0E0C0E0E0E0C0E0E060C0C0C0C'X      /* D- */
'0A0A0C0E0E0E0E0E0C0A0E0E0E0E'X      /* E- */
'0A0A0A0A0A0A0A0A0A0A0A0E0E0E0A'X.      /* F- */

```



## Source Code for 4019 ASCII Printer

```

:PMLGEBCTBL
EBCDICCP= 38
ASCII CP= 850
DATA =
/* -0-1-2-3-4-5-6-7-8-9-A-B-C-D-E-F */
'2020838485A0C68687A45B2E3C282B21'X /* 4- */
'268288898AA18C8B8DE15D242A293B5E'X /* 5- */
'2D2FB68EB7B5C78F80A5DD2C255F3E3F'X /* 6- */
'9B90D2D3D4D6D7D8DE603A2340273D22'X /* 7- */
'9D616263646566676869AEAFD0ECE7F1'X /* 8- */
'F86A6B6C6D6E6F707172A6A791F792CF'X /* 9- */
'E67E737475767778797ADA8D1EDE8A9'X /* A- */
'BD9CBFA9FF5F4ACABF3AA7CEEF9EFF2'X /* B- */
'7B414243444546474849F0939495A2E4'X /* C- */
'7D4A4B4C4D4E4F505152D5968197A398'X /* D- */
'5C20535455565758595AFDE299E3E0E5'X /* E- */
'30313233343536373839FCEA9AEBE900'X. /* F- */

:PFNTWTH
DATA =
/* -0-1-2-3-4-5-6-7-8-9-A-B-C-D-E-F */
'0A0A0A0A0A0A0A0A0A0C0A0A0A0A0A'X /* 4- */
'0C0A0A0A0A060606060C0A0A0A0A0A'X /* 5- */
'0A0A0E0E0E0E0E0E0E0E0A0A0A0A0A'X /* 6- */
'0A0C0C0C0C080808080A0A0A0A060A0A'X /* 7- */
'0E0A0C0A0C0A080C0C060E0E0C0C0C0A'X /* 8- */
'0A060C060E0C0A0C0C0A0A0A0E0A0E0A'X /* 9- */
'0C0A0A080C0C0E0C0C0A0A0A0E0E0A'X /* A- */
'0A0A0A0A0A0A0A0A0A0A0A0A0A0A'X /* B- */
'0A0E0E0E0E0C0C0E0E080A0A0A0A0A'X /* C- */
'0A0A0E0C0E0E0E0C0E0E060C0C0C0C'X /* D- */
'0A0A0C0E0E0E0E0E0E0C0A0E0E0E0E'X /* E- */
'0A0A0A0A0A0A0A0A0A0A0A0E0E0E0A'X. /* F- */

:PMLGEBCTBL
EBCDICCP= 45
ASCII CP= 880
DATA =
/* -0-1-2-3-4-5-6-7-8-9-A-B-C-D-E-F */
'2020838461A0C79F87865B2E3C282B21'X /* 4- */
'2682A98985A18C9692E15D242A293B5E'X /* 5- */
'2D2FB68E41B5C6AC808FD82C255F3E3F'X /* 6- */
'F390A8D3DED6D79591603A2340273D22'X /* 7- */
'F461626364656667686998E5D0ECFDAD'X /* 8- */
'F86A6B6C6D6E6F70717288E4E7F7F2CF'X /* 9- */
'A5F1737475767778797AB8D5D1EDFCB8'X /* A- */
'FA4CBEDDBDF5A7ABA68D9DE3E6F9EFEE'X /* B- */
'D4414243444546474849F09394EAA28B'X /* C- */
'D24A4B4C4D4E4F505152B7FB819CA379'X /* D- */
'A420535455565758595A32E299E8E08A'X /* E- */
'3031323334353637383933EB9A9BE900'X. /* F- */

:PFNTWTH
DATA =
/* -0-1-2-3-4-5-6-7-8-9-A-B-C-D-E-F */
'0A0A0A0A0A0A0A0A0A0A0A0A0A0A'X /* 4- */
'0C0A0A0A0C060606060C0A0A0A0A0A'X /* 5- */
'0A0A0E0E0E0E0E0E0E0E0A0A0A0A0A'X /* 6- */
'0A0C0C0C0E080808080A0A0A0A060A0A'X /* 7- */
'0A0A0C0A0C0A080C0C060A0C0C0C0A0A'X /* 8- */
'0A060C060E0C0A0C0C0A060C0A0A0A0A'X /* 9- */
'0A0A0A080C0C0E0C0C0A0C0E0E0E0C'X /* A- */
'0A0C0A0E0C0A0A0A0C0C0C0E0C0A0A08'X /* B- */
'0C0E0E0E0E0C0C0E0E080A0A0A0A0A'X /* C- */
'0E0A0E0C0E0E0E0C0E0E0C0C080C0C'X /* D- */
'0E0A0C0E0E0E0E0E0C0A0E0E0E0E'X /* E- */
'0A0A0A0A0A0A0A0A0A0A0A0E0E0E0A'X. /* F- */

```

## Source Code for 4019 ASCII Printer

```

:PMLGEBCTBL
EBCDICCP= 256
ASCIIICP= 850
DATA =
/* -0-1-2-3-4-5-6-7-8-9-A-B-C-D-E-F */
'2020838485A0C68687A45B2E3C282B21'X /* 4- */
'268288898AA18C8B8DE15D242A293B5E'X /* 5- */
'2D2FB68EB7B5C78F80A5DD2C255F3E3F'X /* 6- */
'9B90D2D3D4D6D7D8DE603A2340273D22'X /* 7- */
'9D616263646566676869AEAFD0ECE7F1'X /* 8- */
'F86A6B6C6D6E6F707172A6A791F792CF'X /* 9- */
'E67E737475767778797AADA8D1EDE8A9'X /* A- */
'BD9CBE169FF5F4ACABF3AA7CEEF9EFF2'X /* B- */
'7B414243444546474849F0939495A2E4'X /* C- */
'7D4A4B4C4D4E4F505152D5968197A398'X /* D- */
'5C20535455565758595AFDE299E3E0E5'X /* E- */
'30313233343536373839FCEA9AEBE900'X. /* F- */

:PFNTWTH
DATA =
/* -0-1-2-3-4-5-6-7-8-9-A-B-C-D-E-F */
'0A0A0A0A0A0A0A0A0A0A0A0A0A0A0A0A'X /* 4- */
'0C0A0A0A0A0A060606060C0A0A0A0A0A'X /* 5- */
'0A0A0E0E0E0E0E0E0E0E0A0A0A0A0A'X /* 6- */
'0A0C0C0C0C080808080A0A0A0A060A0A'X /* 7- */
'0E0A0C0A0C0A080C0C060E0E0C0C0C0A'X /* 8- */
'0A060C060E0C0A0C0C0A0A0A0E0A0E0A'X /* 9- */
'0C0A0A080C0C0E0C0C0A0A0A0E0E0A'X /* A- */
'0A0A0A0A0A0A0A0A0A0A0A0A0A0A0A'X /* B- */
'0A0E0E0E0E0C0C0E0E080A0A0A0A0A'X /* C- */
'0A0A0E0C0E0E0E0C0E0E060C0C0C0C'X /* D- */
'0A0A0C0E0E0E0E0E0C0A0E0E0E0E'X /* E- */
'0A0A0A0A0A0A0A0A0A0A0A0E0E0E0A'X. /* F- */

:PMLGEBCTBL
EBCDICCP= 257
ASCIIICP= 855
DATA =
/* -0-1-2-3-4-5-6-7-8-9-A-B-C-D-E-F */
'202080828486888A8C8E5B2E3C282B21'X /* 4- */
'2690929496989A9EEF815D242A293B5E'X /* 5- */
'2D2F838587898B8D8F917C2C255F3E3F'X /* 6- */
'9395972D999B9CA0A2603A2340273D22'X /* 7- */
'9A616263646566676869A6A8AAACB5B7'X /* 8- */
'BD6A6B6C6D6E6F707172C6D0D2D4D6D8'X /* 9- */
'DE7E737475767778797AE1E3E5E7E9EB'X /* A- */
'EDF1F3F5F7F9FB9E9DA1A3A5A7A9ABAD'X /* B- */
'7B414243444546474849B6B8BEC7D1D3'X /* C- */
'7D4A4B4C4D4E4F505152D5D7DDE0E2E4'X /* D- */
'5CCF535455565758595AE6E8EAECEE2'X /* E- */
'30313233343536373839F4F6F8FAFC00'X. /* F- */

:PFNTWTH
DATA =
/* -0-1-2-3-4-5-6-7-8-9-A-B-C-D-E-F */
'0A0A0C0A0A0A0A0606060A0A0A0A0A'X /* 4- */
'0C0E0E0C0C0C0C0E0E0E0A0A0A0A0A'X /* 5- */
'0A0A0E0E0E0C08080A0E0A0A0A0A0A'X /* 6- */
'0E0E0E0A0E0E0E0A0A0A0A0A0A060A0A'X /* 7- */
'0C0A0C0A0C0A080C0C060C0A0C0A0A0C'X /* 8- */
'0C060C060E0C0A0C0C0A0C0C0E0C0A0A'X /* 9- */
'0C0A0A080C0C0E0C0C0A0C0A0A0C0E0C'X /* A- */
'0C0E0A0E0A0E0C0C0E0E0E0E0C0E0E'X /* B- */
'0A0E0E0E0E0C0C0E0E080E0E0E0E0E'X /* C- */
'0A0A0E0C0E0E0E0C0E0E0E0E0E0C0E'X /* D- */
'0A0A0C0E0E0E0E0E0C0E0E0E0E0E'X /* E- */
'0A0A0A0A0A0A0A0A0A0A0A0E0E0E0A'X. /* F- */

:PMLGEBCTBL

```

## Source Code for 4019 ASCII Printer

```

EBCDICCP= 258
ASCIIICP= 852
DATA =
/* -0-1-2-3-4-5-6-7-8-9-A-B-C-D-E-F */
'20208384EEA0C79F87865B2E3C282B21'X /* 4- */
'2682A98985A18C9692E15D242A293B5E'X /* 5- */
'2D2FB68EF1B5C6AC808F7C2C255F3E3F'X /* 6- */
'F390A8D3DED6D79591603A2340273D22'X /* 7- */
'F461626364656667686998E5D0ECFDAD'X /* 8- */
'F86A6B6C6D6E6F70717288E4E7F7F2CF'X /* 9- */
'A57E737475767778797AB8D5D1EDFCB8'X /* A- */
'FAA4BEDDBDF5A7ABA68D9DE3E6F9EF9E'X /* B- */
'7B414243444546474849F09394EAA28B'X /* C- */
'7D4A4B4C4D4E4F505152B7FB819CA3DB'X /* D- */
'5CF6535455565758595AD4E299E8E08A'X /* E- */
'30313233343536373839D2EB9A9BE900'X. /* F- */

:PFNTWTH
DATA =
/* -0-1-2-3-4-5-6-7-8-9-A-B-C-D-E-F */
'0A0A0A0A00A0A0A0A0A0A0A0A0A0A0'X /* 4- */
'0C0A0A0A0C060606060C0A0A0A0A0A0'X /* 5- */
'0A0A0E0E0A0E0E0E0E0E0A0A0A0A0A0'X /* 6- */
'0A0C0C0C0E080808080A0A0A060A0A0'X /* 7- */
'0A0A0C0A0C0A080C0C060A0C0C0C0A0A'X /* 8- */
'0A060C060E0C0A0C0C0A060C0A0A0A0A'X /* 9- */
'0A0A0A080C0C0E0C0C0A0C0E0E0E0C'X /* A- */
'0A0E0A0E0C0A0A0A0C0C0C0E0C0A0A0A'X /* B- */
'0A0E0E0E0C0C0E0E080A0A0A0A0A0A'X /* C- */
'0A0A0E0C0E0E0E0C0E0E0C0C080C0A'X /* D- */
'0A0A0C0E0E0E0E0E0E0C0C0E0E0E0E'X /* E- */
'0A0A0A0A0A0A0A0A0A0A0E0E0E0E0A'X. /* F- */

:PMLGEBCTBL
EBCDICCP= 259
ASCIIICP= 899
DATA =
/* -0-1-2-3-4-5-6-7-8-9-A-B-C-D-E-F */
'2020838485A0B08687A45B2E3C282B21'X /* 4- */
'268288898AA18C8B8DB15D242A293B5E'X /* 5- */
'2D2FB28EB3B4B58F80A57C2C255F3E3F'X /* 6- */
'B690B7B8B9BA00BCBD603A2340273D22'X /* 7- */
'BE616263646566676869AEAFBFC0C1C2'X /* 8- */
'C36A6B6C6D6E6F707172A6A791C492C5'X /* 9- */
'C67E737475767778797ADA8C7C8C9CA'X /* A- */
'9B9C9D9E9FE0CBACABCCAAACDCECFD0D1'X /* B- */
'7B414243444546474849D2939495A2D3'X /* C- */
'7D4A4B4C4D4E4F505152D4968197A398'X /* D- */
'5C20535455565758595AD5D699D7D8D9'X /* E- */
'30313233343536373839DADB9ADCDD00'X. /* F- */

:PFNTWTH
DATA =
/* -0-1-2-3-4-5-6-7-8-9-A-B-C-D-E-F */
'0A0A0A0A0A0A0A0A0C0A0A0A0A0A0A'X /* 4- */
'0C0A0A0A0A060606060C0A0A0A0A0A0A'X /* 5- */
'0A0A0E0E0E0E0E0E0E0E0A0A0A0A0A0'X /* 6- */
'0A0C0C0C0C080808080A0A0A060A0A0A'X /* 7- */
'0E0A0C0A0C0A080C0C060E0E0C0C0C0A'X /* 8- */
'0A060C060E0C0A0C0C0A0A0A0E0A0E0A'X /* 9- */
'0C0A0A080C0C0E0C0C0A0A0A0E0E0E0A'X /* A- */
'0A0A0A0A0A0A0A0A0A0A0A0A0A0A0A'X /* B- */
'0A0E0E0E0E0C0C0E0E080A0A0A0A0A0A'X /* C- */
'0A0A0E0C0E0E0E0C0E0E060C0C0C0C'X /* D- */
'0A0A0C0E0E0E0E0E0E0C0A0E0E0E0E'X /* E- */
'0A0A0A0A0A0A0A0A0A0A0E0E0E0E0A'X. /* F- */

:PMLGEBCTBL
EBCDICCP= 260

```



## Source Code for 4019 ASCII Printer

```

DATA =
/* -0-1-2-3-4-5-6-7-8-9-A-B-C-D-E-F */
'2020838440A0C6865CA45B2E3C282B21'X /* 4- */
'267B88897DA18C8B8DE15D242A293B5E'X /* 5- */
'2D2FB68EB7B5C78F80A5972C255F3E3F'X /* 6- */
'9B90D2D3D4D6D7D8DE603A2385273D22'X /* 7- */
'9D616263646566676869AEAFD0ECE7F1'X /* 8- */
'F86A6B6C6D6E6F707172A6A791F792CF'X /* 9- */
'E6F9737475767778797AADA8D1EDE8A9'X /* A- */
'BD9CBFA9FF5F4ACABF3AA7CEE7EEFF2'X /* B- */
'82414243444546474849F0939495A2E4'X /* C- */
'8A4A4B4C4D4E4F505152D5968197A398'X /* D- */
'8720535455565758595AFDE299E3E0E5'X /* E- */
'30313233343536373839FCEA9AEBE900'X. /* F- */

:PFNTWTH
DATA =
/* -0-1-2-3-4-5-6-7-8-9-A-B-C-D-E-F */
'0A0A0A0A0A0A0A0A0A0A0C0A0A0A0A0A'X /* 4- */
'0C0A0A0A0A060606060C0A0A0A0A0A'X /* 5- */
'0A0A0E0E0E0E0E0E0E0E0C0A0A0A0A'X /* 6- */
'0A0C0C0C0C080808080A0A0A0A060A0A'X /* 7- */
'0E0A0C0A0C0A080C0C060E0E0C0C0C0A'X /* 8- */
'0A060C060E0C0A0C0C0A0A0A0E0A0E0A'X /* 9- */
'0C0A0A080C0C0E0C0C0A0A0A0E0E0A'X /* A- */
'0A0A0A0A0A0A0A0A0A0A0A0A0A0A0A'X /* B- */
'0A0E0E0E0E0C0C0E0E080A0A0A0A0A'X /* C- */
'0A0A0E0C0E0E0E0C0E0E060C0C0C0C'X /* D- */
'0A0A0C0E0E0E0E0E0C0A0E0E0E0E'X /* E- */
'0A0A0A0A0A0A0A0A0A0A0E0E0E0A'X. /* F- */

:PMLGEBCTBL
EBCDICCP= 275
ASCII CP= 850
DATA =
/* -0-1-2-3-4-5-6-7-8-9-A-B-C-D-E-F */
'2020838485A06086D0A4902E3C282B21'X /* 4- */
'267B8889BAA18C8B8DE124802A293B5E'X /* 5- */
'2D2FB68EB7B5408F5DA5872C255F3E3F'X /* 6- */
'9B5BD2D3D4D6D7D8DEC63AE5C7273D22'X /* 7- */
'9D616263646566676869AEAFD0ECE7F1'X /* 8- */
'F86A6B6C6D6E6F707172A6A791F792CF'X /* 9- */
'E67E737475767778797AADA8D1EDE8A9'X /* A- */
'BD9CBFA9FF5F4ACABF3AA7CEE7EEFF2'X /* B- */
'E4414243444546474849F0939495A27B'X /* C- */
'824A4B4C4D4E4F505152D5968197A398'X /* D- */
'5C20535455565758595AFDE299E3E023'X /* E- */
'30313233343536373839FCEA9AEBE900'X. /* F- */

:PFNTWTH
DATA =
/* -0-1-2-3-4-5-6-7-8-9-A-B-C-D-E-F */
'0A0A0A0A0A0A0A0A0A0A0C0A0A0A0A0A'X /* 4- */
'0C0A0A0A0A060606060C0A0E0A0A0A0A'X /* 5- */
'0A0A0E0E0E0E0E0E0E0E0C0A0A0A0A'X /* 6- */
'0A0C0C0C0C080808080A0A0E0E060A0A'X /* 7- */
'0E0A0C0A0C0A080C0C060E0E0C0C0C0A'X /* 8- */
'0A060C060E0C0A0C0C0A0A0A0E0A0E0A'X /* 9- */
'0C0A0A080C0C0E0C0C0A0A0A0E0E0A'X /* A- */
'0A0A0A0A0A0A0A0A0A0A0A0A0A0A0A'X /* B- */
'0A0E0E0E0E0C0C0E0E080A0A0A0A0A'X /* C- */
'0A0A0E0C0E0E0E0C0E0E060C0C0C0C'X /* D- */
'0A0A0C0E0E0E0E0E0C0A0E0E0E0E'X /* E- */
'0A0A0A0A0A0A0A0A0A0A0E0E0E0A'X. /* F- */

:PMLGEBCTBL
EBCDICCP= 276
ASCII CP= 850
DATA =

```

## Source Code for 4019 ASCII Printer

```

/* -0-1-2-3-4-5-6-7-8-9-A-B-C-D-E-F */
'202083845BA0C68687A4852E3C282B21'X /* 4- */
'267B88897DA18C8B8DE1EF242A293B5E'X /* 5- */
'2D2FB68EB7B5C78F80A5972C255F3E3F'X /* 6- */
'9B90D2D3D4D6D7D8DE603A2340273D22'X /* 7- */
'9D616263646566676869AEAFD0ECE7F1'X /* 8- */
'F86A6B6C6D6E6F707172A6A7915C92CF'X /* 9- */
'E6F9737475767778797AADA8D1EDE8A9'X /* A- */
'BD9CBFA9FF5F4ACABF3AA7CEE7E5DF2'X /* B- */
'82414243444546474849F0939495A2E4'X /* C- */
'8A4A4B4C4D4E4F505152D5968197A398'X /* D- */
'F720535455565758595AFDE299E3E0E5'X /* E- */
'30313233343536373839FCEA9AEBE900'X. /* F- */
:PFNTWTH
DATA =
/* -0-1-2-3-4-5-6-7-8-9-A-B-C-D-E-F */
'0A0A0A0A0A0A0A0A0A0C0A0A0A0A0A'X /* 4- */
'0C0A0A0A0A060606060C0A0A0A0A0A'X /* 5- */
'0A0A0E0E0E0E0E0E0E0C0A0A0A0A0A'X /* 6- */
'0A0C0C0C0C080808080A0A0A060A0A'X /* 7- */
'0E0A0C0A0C0A080C0C060E0E0C0C0C0A'X /* 8- */
'0A060C060E0C0A0C0C0A0A0A0E0A0E0A'X /* 9- */
'0C0A0A080C0E0C0C0A0A0A0E0E0E0A'X /* A- */
'0A0A0A0A0A0A0A0A0A0A0A0A0A0A0A'X /* B- */
'0A0E0E0E0E0C0C0E0E080A0A0A0A0A'X /* C- */
'0A0A0E0C0E0E0E0C0E0E060C0C0C0C'X /* D- */
'0A0A0C0E0E0E0E0E0E0C0A0E0E0E0E'X /* E- */
'0A0A0A0A0A0A0A0A0A0A0A0E0E0E0A'X. /* F- */

:PMLGEBCTBL
EBCDICCP= 277
ASCIIICP= 850
DATA =
/* -0-1-2-3-4-5-6-7-8-9-A-B-C-D-E-F */
'2020838485A0C67B87A4232E3C282B21'X /* 4- */
'26828889BAA18C8B8DE1CF8F2A293B5E'X /* 5- */
'2D2FB68EB7B5C72480A59B2C255F3E3F'X /* 6- */
'D090D2D3D4D6D7D8DE603A929D273D22'X /* 7- */
'40616263646566676869AEAFD0ECE7F1'X /* 8- */
'F86A6B6C6D6E6F707172A6A77BF75B5D'X /* 9- */
'E681737475767778797AADA8D1EDE8A9'X /* A- */
'BD9CBFA9FF5F4ACABF3AA7CEE99EFF2'X /* B- */
'91414243444546474849F0939495A2E4'X /* C- */
'864A4B4C4D4E4F505152D5967E97A398'X /* D- */
'5C20535455565758595AFDE299E3E0E5'X /* E- */
'30313233343536373839FCEA9AEBE900'X. /* F- */

:PFNTWTH
DATA =
/* -0-1-2-3-4-5-6-7-8-9-A-B-C-D-E-F */
'0A0A0A0A0A0A0A0A0C0A0A0A0A0A0A'X /* 4- */
'0C0A0A0A0A060606060C0A0E0A0A0A0A'X /* 5- */
'0A0A0E0E0E0E0E0E0E0C0A0A0A0A0A'X /* 6- */
'0A0C0C0C0C080808080A0E0E060A0A'X /* 7- */
'0E0A0C0A0C0A080C0C060E0E0C0C0C0A'X /* 8- */
'0A060C060E0C0A0C0C0A0A0A0E0A0E0A'X /* 9- */
'0C0C0A080C0E0C0C0A0A0A0E0E0E0A'X /* A- */
'0A0A0A0A0A0A0A0A0A0A0A0A0A0A0A'X /* B- */
'0E0E0E0E0E0C0C0E0E080A0A0A0A0A'X /* C- */
'0A0A0E0C0E0E0E0C0E0E060C0C0C0C'X /* D- */
'0A0A0C0E0E0E0E0E0E0C0A0E0E0E0E'X /* E- */
'0A0A0A0A0A0A0A0A0A0A0A0E0E0E0A'X. /* F- */

:PMLGEBCTBL
EBCDICCP= 278
ASCIIICP= 850
DATA =
/* -0-1-2-3-4-5-6-7-8-9-A-B-C-D-E-F */

```

## Source Code for 4019 ASCII Printer

```
'2020837B85A0C67D87A4F52E3C282B21'X /* 4- */
'26608889BAA18C8B8DE1CF8F2A293B5E'X /* 5- */
'2D2FB623B7B5C72480A5942C255F3E3F'X /* 6- */
'9B5CD2D3D4D6D7D8DE823A8E99273D22'X /* 7- */
'9D616263646566676869AEAFD0ECE7F1'X /* 8- */
'F86A6B6C6D6E6F707172A6A791F7925D'X /* 9- */
'E681737475767778797ADA8D1EDE8A9'X /* A- */
'BD9CBFA9F5BF4ACABF3AA7CEEF9EFF2'X /* B- */
'84414243444546474849F093D095A2E4'X /* C- */
'864A4B4C4D4E4F505152D5967E97A398'X /* D- */
'9020535455565758595AFDE240E3E0E5'X /* E- */
'30313233343536373839FCEA9AEBE900'X. /* F- */
```

:PFNTWTH

```
DATA =
/* -0-1-2-3-4-5-6-7-8-9-A-B-C-D-E-F */
'0A0A0A0A0A0A0A0A0C0A0A0A0A0A'X /* 4- */
'0C0A0A0A0A0606060C0A0A0A0A0A'X /* 5- */
'0A0A0E0E0E0E0E0E0E0A0A0A0A0A'X /* 6- */
'0A0C0C0C0C0808080A0A0E0E060A0A'X /* 7- */
'0E0A0C0A0C0A080C0C060E0E0C0C0A'X /* 8- */
'0A060C060E0C0A0C0C0A0A0A0E0A0A'X /* 9- */
'0C0C0A080C0E0C0C0A0A0A0E0E0A0A'X /* A- */
'0A0A0A0A0A0A0A0A0A0A0A0A0A0A'X /* B- */
'0A0E0E0E0E0C0C0E0E080A0A0A0A0A'X /* C- */
'0A0A0E0C0E0E0E0C0E0E060C0C0C0C'X /* D- */
'0C0A0C0E0E0E0E0E0C0A0E0E0E0E'X /* E- */
'0A0A0A0A0A0A0A0A0A0A0A0E0E0E0A'X. /* F- */
```

:PMLGEBCTBL

```
EBCDICCP= 279
ASCII CP= 850
DATA =
/* -0-1-2-3-4-5-6-7-8-9-A-B-C-D-E-F */
'2020838440A0C6865CA4F82E3C282B21'X /* 4- */
'267B88897DA18C8B8DE1F5242A293B5E'X /* 5- */
'2D2FB68EB7B5C78F80A5972C255F3E3F'X /* 6- */
'9B90D2D3D4D6D7D8DEE63A9C85273D22'X /* 7- */
'9D616263646566676869AEAFD0ECE7F1'X /* 8- */
'5B6A6B6C6D6E6F707172A6A791F792CF'X /* 9- */
'60F9737475767778797ADA8D1EDE8A9'X /* A- */
'BD23BEFA9F5DF4ACABF3AA7CEE7EEFF2'X /* B- */
'82414243444546474849F0939495A2E4'X /* C- */
'8A4A4B4C4D4E4F505152D59681D0A398'X /* D- */
'8720535455565758595AFDE299E3E0E5'X /* E- */
'30313233343536373839FCEA9AEBE900'X. /* F- */
```

:PFNTWTH

```
DATA =
/* -0-1-2-3-4-5-6-7-8-9-A-B-C-D-E-F */
'0A0A0A0A0A0A0A0A0C0A0A0A0A0A'X /* 4- */
'0C0A0A0A0A0606060C0A0A0A0A0A'X /* 5- */
'0A0A0E0E0E0E0E0E0E0C0A0A0A0A0A'X /* 6- */
'0A0C0C0C0C0808080C0A0A0A060A0A'X /* 7- */
'0E0A0C0A0C0A080C0C060E0E0C0C0A'X /* 8- */
'0A060C060E0C0A0C0C0A0A0A0E0A0A'X /* 9- */
'0C0A0A080C0E0C0C0A0A0A0E0E0A0A'X /* A- */
'0A0A0A0A0A0A0A0A0A0A0A0A0A0A'X /* B- */
'0A0E0E0E0E0C0C0E0E080A0A0A0A0A'X /* C- */
'0A0A0E0C0E0E0E0C0E0E060C0C0C0C'X /* D- */
'0A0A0C0E0E0E0E0E0C0A0E0E0E0E'X /* E- */
'0A0A0A0A0A0A0A0A0A0A0A0E0E0E0A'X. /* F- */
```

:PMLGEBCTBL

```
EBCDICCP= 280
ASCII CP= 850
DATA =
/* -0-1-2-3-4-5-6-7-8-9-A-B-C-D-E-F */
'202083847BA0C6865CA4F82E3C282B21'X /* 4- */
```





## Source Code for 4019 ASCII Printer

```

'2D2FB68EB7B5238F5CA5E42C255F3E3F'X /* 6- */
'9B90D2D3D4D6D7D8DE603AC7E5273D22'X /* 7- */
'9D616263646566676869AEAFD0ECE7F1'X /* 8- */
'F86A6B6C6D6E6F707172A6A791F792CF'X /* 9- */
'E68773747576777879ADA8D1EDE8A9'X /* A- */
'BD9CBEFA9FF5F4ACABF3AA7CEEF9EFF2'X /* B- */
'C6414243444546474849F0939495A2D0'X /* C- */
'EF4A4B4C4D4E4F505152D5968197A398'X /* D- */
'8020535455565758595AFDE299E3E040'X /* E- */
'30313233343536373839FCEA9AEBE900'X. /* F- */
:PFNTWTH
DATA =
/* -0-1-2-3-4-5-6-7-8-9-A-B-C-D-E-F */
'0A0A0A0A0A0A0A0A0C0A0A0A0A0A'X /* 4- */
'0C0A0A0A0A060606060C0A0A0A0A'X /* 5- */
'0A0A0E0E0E0E0E0E0E0A0A0A0A'X /* 6- */
'0A0C0C0C0C080808080A0E0E060A0A'X /* 7- */
'0E0A0C0A0C0A080C0C060E0E0C0C0A'X /* 8- */
'0A060C060E0C0A0C0C0A0A0E0A0E0A'X /* 9- */
'0C0A0A080C0C0E0C0C0A0A0E0E0E0A'X /* A- */
'0A0A0A0A0A0A0A0A0A0A0A0A0A0A'X /* B- */
'0A0E0E0E0E0C0C0E0E080A0A0A0A'X /* C- */
'0A0A0E0C0E0E0E0C0E0E060C0C0C0C'X /* D- */
'0E0A0C0E0E0E0E0E0E0C0A0E0E0E'X /* E- */
'0A0A0A0A0A0A0A0A0A0A0E0E0E0A'X. /* F- */

:PMLGEBCTBL
EBCDICCP= 283
ASCII CP= 850
DATA =
/* -0-1-2-3-4-5-6-7-8-9-A-B-C-D-E-F */
'2020838485A0C68687D05B2E3C282B7C'X /* 4- */
'26828889BAA18C8B8DE15D502A293BAA'X /* 5- */
'2D2FB68EB7B5C78F8023A42C255F3E3F'X /* 6- */
'9B90D2D3D4D6D7D8DE603AA540273D22'X /* 7- */
'9D616263646566676869AEAFD0ECE7F1'X /* 8- */
'F86A6B6C6D6E6F707172A6A791F792CF'X /* 9- */
'E6F973747576777879ADA8D1EDE8A9'X /* A- */
'BD9CBEFA9FF5F4ACABF35E21EE7EEFF2'X /* B- */
'7B414243444546474849F0939495A2E4'X /* C- */
'7D4A4B4C4D4E4F505152D5968197A398'X /* D- */
'5C20535455565758595AFDE299E3E0E5'X /* E- */
'30313233343536373839FCEA9AEBE900'X. /* F- */

:PFNTWTH
DATA =
/* -0-1-2-3-4-5-6-7-8-9-A-B-C-D-E-F */
'0A0A0A0A0A0A0A0A0C0A0A0A0A0A'X /* 4- */
'0C0A0A0A0A060606060C0A0E0A0A0A'X /* 5- */
'0A0A0E0E0E0E0E0E0E0C0A0A0A0A'X /* 6- */
'0A0C0C0C0C080808080A0E0A060A0A'X /* 7- */
'0E0A0C0A0C0A080C0C060E0E0C0C0A'X /* 8- */
'0A060C060E0C0A0C0C0A0A0E0A0E0A'X /* 9- */
'0C0A0A080C0C0E0C0C0A0A0E0E0E0A'X /* A- */
'0A0A0A0A0A0A0A0A0A0A0A0A0A0A'X /* B- */
'0A0E0E0E0E0C0C0E0E080A0A0A0A'X /* C- */
'0A0A0E0C0E0E0E0C0E0E060C0C0C0C'X /* D- */
'0A0A0C0E0E0E0E0E0E0C0A0E0E0E'X /* E- */
'0A0A0A0A0A0A0A0A0A0A0E0E0E0A'X. /* F- */

:PMLGEBCTBL
EBCDICCP= 284
ASCII CP= 850
DATA =
/* -0-1-2-3-4-5-6-7-8-9-A-B-C-D-E-F */
'2020838485A0C68687D05B2E3C282B7C'X /* 4- */
'26828889BAA18C8B8DE15D242A293BAA'X /* 5- */
'2D2FB68EB7B5C78F8023A42C255F3E3F'X /* 6- */

```

## Source Code for 4019 ASCII Printer

```

'9B90D2D3D4D6D7D8DE603AA540273D22'X /* 7- */
'9D616263646566676869AEAFD0ECE7F1'X /* 8- */
'F86A6B6C6D6E6F707172A6A791F792CF'X /* 9- */
'E6F9737475767778797ADA8D1EDE8A9'X /* A- */
'BD9CBFA9FF5F4ACABF35E21EE7EEFF2'X /* B- */
'7B414243444546474849F0939495A2E4'X /* C- */
'7D4A4B4C4D4E4F505152D5968197A398'X /* D- */
'5C20535455565758595AFDE299E3E0E5'X /* E- */
'30313233343536373839FCEA9AEBE900'X. /* F- */
:PFNTWTH
DATA =
/* -0-1-2-3-4-5-6-7-8-9-A-B-C-D-E-F */
'0A0A0A0A0A0A0A0A0C0A0A0A0A0A0A'X /* 4- */
'0C0A0A0A0A060606060C0A0A0A0A0A'X /* 5- */
'0A0A0E0E0E0E0E0E0E0C0A0A0A0A0A'X /* 6- */
'0A0C0C0C0C080808080A0A0A060A0A'X /* 7- */
'0E0A0C0A0C0A080C0C060E0C0C0C0A'X /* 8- */
'0A060C060E0C0A0C0C0A0A0A0E0A0E0A'X /* 9- */
'0C0A0A080C0C0E0C0C0A0A0A0E0E0A'X /* A- */
'0A0A0A0A0A0A0A0A0A0A0A0A0A0A0A'X /* B- */
'0A0E0E0E0E0C0C0E0E080A0A0A0A0A'X /* C- */
'0A0A0E0C0E0E0E0C0E0E060C0C0C0C'X /* D- */
'0A0A0C0E0E0E0E0E0C0A0E0E0E0E'X /* E- */
'0A0A0A0A0A0A0A0A0A0A0E0E0E0A'X. /* F- */

:PMLGEBCTBL
EBCDICCP= 285
ASCIIICP= 850
DATA =
/* -0-1-2-3-4-5-6-7-8-9-A-B-C-D-E-F */
'2020838485A0C68687A4242E3C282B7C'X /* 4- */
'26828889BAA18C8B8DE1219C2A293BAA'X /* 5- */
'2D2FB68EB7B5C78F80A5DD2C255F3E3F'X /* 6- */
'9B90D2D3D4D6D7D8DE603A2340273D22'X /* 7- */
'9D616263646566676869AEAFD0ECE7F1'X /* 8- */
'F86A6B6C6D6E6F707172A6A791F792CF'X /* 9- */
'E6EE737475767778797ADA8D1EDE8A9'X /* A- */
'BD5BBFA9FF5F4ACABF35E5D7EF9EFF2'X /* B- */
'7B414243444546474849F0939495A2E4'X /* C- */
'7D4A4B4C4D4E4F505152D5968197A398'X /* D- */
'5C20535455565758595AFDE299E3E0E5'X /* E- */
'30313233343536373839FCEA9AEBE900'X. /* F- */

:PFNTWTH
DATA =
/* -0-1-2-3-4-5-6-7-8-9-A-B-C-D-E-F */
'0A0A0A0A0A0A0A0A0C0A0A0A0A0A0A'X /* 4- */
'0C0A0A0A0A060606060C0A0A0A0A0A'X /* 5- */
'0A0A0E0E0E0E0E0E0E0C0A0A0A0A0A'X /* 6- */
'0A0C0C0C0C080808080A0A0A060A0A'X /* 7- */
'0E0A0C0A0C0A080C0C060E0C0C0C0A'X /* 8- */
'0A060C060E0C0A0C0C0A0A0A0E0A0E0A'X /* 9- */
'0C0A0A080C0C0E0C0C0A0A0A0E0E0A'X /* A- */
'0A0A0A0A0A0A0A0A0A0A0A0A0A0A0A'X /* B- */
'0A0E0E0E0E0C0C0E0E080A0A0A0A0A'X /* C- */
'0A0A0E0C0E0E0E0C0E0E060C0C0C0C'X /* D- */
'0A0A0C0E0E0E0E0E0C0A0E0E0E0E'X /* E- */
'0A0A0A0A0A0A0A0A0A0A0E0E0E0A'X. /* F- */

:PMLGEBCTBL
EBCDICCP= 290
ASCIIICP= 911
DATA =
/* -0-1-2-3-4-5-6-7-8-9-A-B-C-D-E-F */
'20A1A2A3A4A5A6A7A8A9E12E3C282B7C'X /* 4- */
'26AAAABACADAEAF00B000215C2A293BE3'X /* 5- */
'2D2F000000000000000002C255F3E3F'X /* 6- */
'000000000000000000003A2340273D22'X /* 7- */

```

## Source Code for 4019 ASCII Printer

```
'00B1B2B3B4B5B6B7B8B9BA00BBBCDBE'X /* 8- */
'BFC0C1C2C3C4C5C6C7C8C90000CACBCC'X /* 9- */
'007ECDCECFD0D1D2D3D4D500D6D7D8D9'X /* A- */
'00000000000000000000DADBDCDDDEDF'X /* B- */
'7B414243444546474849000000000000'X /* C- */
'004A4B4C4D4E4F505152000000000000'X /* D- */
'2420535455565758595A000000000000'X /* E- */
'30313233343536373839000000000000'X /* F- */
```

:PFNTWTH

DATA =

```
/* -0-1-2-3-4-5-6-7-8-9-A-B-C-D-E-F */
'0A0A0A0A0A0A0A0A0C0A0A0A0A0A0A'X /* 4- */
'0C0A0A0A0A060606060C0A0A0A0A0A'X /* 5- */
'0A0A0E0E0E0E0E0E0E0A0A0A0A0A'X /* 6- */
'0A0C0C0C0C080808080A0A0A060A0A'X /* 7- */
'0E0A0C0A0C0A080C0C060E0E0C0C0A'X /* 8- */
'0A060C060E0C0A0C0C0A0A0E0A0E0A'X /* 9- */
'0C0A0A080C0C0E0C0C0A0A0E0E0E0A'X /* A- */
'0A0A0A0A0A0A0A0A0A0A0A0A0A0A'X /* B- */
'0A0E0E0E0E0C0C0E0E080A0A0A0A0A'X /* C- */
'0A0A0E0C0E0E0E0C0E0E060C0C0C0C'X /* D- */
'0A0A0C0E0E0E0E0E0C0A0E0E0E0E'X /* E- */
'0A0A0A0A0A0A0A0A0A0A0E0E0E0A'X /* F- */
```

:PMLGEBCTBL

EBCDICCP= 293

ASCII CP= 850

DATA =

```
/* -0-1-2-3-4-5-6-7-8-9-A-B-C-D-E-F */
'2020838485A0C68687A45B2E3C282B21'X /* 4- */
'268288898AA18C8B8DE15D242A293B5E'X /* 5- */
'2D2FB68EB7B5C78F80A5DD2C255F3E3F'X /* 6- */
'9B90D2D3D4D6D7D8DE603A2340273D22'X /* 7- */
'9D616263646566676869AEAFD0ECE7F1'X /* 8- */
'F86A6B6C6D6E6F707172A6A791F792CF'X /* 9- */
'E67E737475767778797AADA8D1EDE8A9'X /* A- */
'BD9CBEFA9FF5F4ACABF3AA7CEEF9EFF2'X /* B- */
'7B414243444546474849F0939495A2E4'X /* C- */
'7D4A4B4C4D4E4F505152D5968197A398'X /* D- */
'5C20535455565758595AFDE299E3E0E5'X /* E- */
'30313233343536373839FCEA9AEBE900'X /* F- */
```

:PFNTWTH

DATA =

```
/* -0-1-2-3-4-5-6-7-8-9-A-B-C-D-E-F */
'0A0A0A0A0A0A0A0A0C0A0A0A0A0A0A'X /* 4- */
'0C0A0A0A0A060606060C0A0A0A0A0A'X /* 5- */
'0A0A0E0E0E0E0E0E0E0A0A0A0A0A'X /* 6- */
'0A0C0C0C0C080808080A0A0A060A0A'X /* 7- */
'0E0A0C0A0C0A080C0C060E0E0C0C0A'X /* 8- */
'0A060C060E0C0A0C0C0A0A0E0A0E0A'X /* 9- */
'0C0A0A080C0C0E0C0C0A0A0E0E0E0A'X /* A- */
'0A0A0A0A0A0A0A0A0A0A0A0A0A0A'X /* B- */
'0A0E0E0E0E0C0C0E0E080A0A0A0A0A'X /* C- */
'0A0A0E0C0E0E0E0C0E0E060C0C0C0C'X /* D- */
'0A0A0C0E0E0E0E0E0C0A0E0E0E0E'X /* E- */
'0A0A0A0A0A0A0A0A0A0A0E0E0E0A'X /* F- */
```

:PMLGEBCTBL

EBCDICCP= 297

ASCII CP= 850

DATA =

```
/* -0-1-2-3-4-5-6-7-8-9-A-B-C-D-E-F */
'2020838440A0C6865CA4F82E3C282B21'X /* 4- */
'267B88897DA18C8B8DE1F5242A293B5E'X /* 5- */
'2D2FB68EB7B5C78F80A5972C255F3E3F'X /* 6- */
'9B90D2D3D4D6D7D8DEE63A9C85273D22'X /* 7- */
'9D616263646566676869AEAFD0ECE7F1'X /* 8- */
```

## Source Code for 4019 ASCII Printer

```

'5B6A6B6C6D6E6F707172A6A791F792CF'X /* 9- */
'60F9737475767778797AADA8D1EDE8A9'X /* A- */
'BD23BEFA9F5DF4ACABF3AA7CEE7EEFF2'X /* B- */
'82414243444546474849F0939495A2E4'X /* C- */
'8A4A4B4C4D4E4F505152D59681D0A398'X /* D- */
'8720535455565758595AFDE299E3E0E5'X /* E- */
'30313233343536373839FCEA9AEBE900'X. /* F- */
:PFNTWTH
DATA =
/* -0-1-2-3-4-5-6-7-8-9-A-B-C-D-E-F */
'0A0A0A0A0A0A0A0A0A0C0A0A0A0A0A'X /* 4- */
'0C0A0A0A0A060606060C0A0A0A0A0A'X /* 5- */
'0A0A0E0E0E0E0E0E0E0C0A0A0A0A0A'X /* 6- */
'0A0C0C0C0C080808080C0A0A0A060A0A'X /* 7- */
'0E0A0C0A0C0A080C0C060E0E0C0C0C0A'X /* 8- */
'0A060C060E0C0A0C0C0A0A0A0E0A0E0A'X /* 9- */
'0C0A0A080C0E0C0C0A0A0A0E0E0E0A'X /* A- */
'0A0A0A0A0A0A0A0A0A0A0A0A0A0A0A'X /* B- */
'0A0E0E0E0E0C0C0E0E080A0A0A0A0A'X /* C- */
'0A0A0E0C0E0E0E0C0E0E060C0C0C0C'X /* D- */
'0A0A0C0E0E0E0E0E0E0C0A0E0E0E0E'X /* E- */
'0A0A0A0A0A0A0A0A0A0A0A0E0E0E0A'X. /* F- */

:PMLGEBCTBL
EBCDICCP= 310
ASCII CP= 850
DATA =
/* -0-1-2-3-4-5-6-7-8-9-A-B-C-D-E-F */
'2020838485A0C68687A45B2E3C282B21'X /* 4- */
'268288898AA18C8B8DE15D242A293B5E'X /* 5- */
'2D2FB68EB7B5C78F80A5DD2C255F3E3F'X /* 6- */
'9B90D2D3D4D6D7D8DE603A2340273D22'X /* 7- */
'9D616263646566676869AEAFD0ECE7F1'X /* 8- */
'F86A6B6C6D6E6F707172A6A791F792CF'X /* 9- */
'E67E737475767778797AADA8D1EDE8A9'X /* A- */
'BD9CBFA9FF5F4ACABF3AA7CEE99EFF2'X /* B- */
'7B414243444546474849F0939495A2E4'X /* C- */
'7D4A4B4C4D4E4F505152D5968197A398'X /* D- */
'5C20535455565758595AFDE299E3E0E5'X /* E- */
'30313233343536373839FCEA9AEBE900'X. /* F- */

:PFNTWTH
DATA =
/* -0-1-2-3-4-5-6-7-8-9-A-B-C-D-E-F */
'0A0A0A0A0A0A0A0A0C0A0A0A0A0A0A'X /* 4- */
'0C0A0A0A0A060606060C0A0A0A0A0A'X /* 5- */
'0A0A0E0E0E0E0E0E0E0C0A0A0A0A0A'X /* 6- */
'0A0C0C0C0C080808080C0A0A0A060A0A'X /* 7- */
'0E0A0C0A0C0A080C0C060E0E0C0C0C0A'X /* 8- */
'0A060C060E0C0A0C0C0A0A0A0E0A0E0A'X /* 9- */
'0C0A0A080C0E0C0C0A0A0A0E0E0E0A'X /* A- */
'0A0A0A0A0A0A0A0A0A0A0A0A0A0A0A'X /* B- */
'0A0E0E0E0E0C0C0E0E080A0A0A0A0A'X /* C- */
'0A0A0E0C0E0E0E0C0E0E060C0C0C0C'X /* D- */
'0A0A0C0E0E0E0E0E0E0C0A0E0E0E0E'X /* E- */
'0A0A0A0A0A0A0A0A0A0A0A0E0E0E0A'X. /* F- */

:PMLGEBCTBL
EBCDICCP= 330
ASCII CP= 880
DATA =
/* -0-1-2-3-4-5-6-7-8-9-A-B-C-D-E-F */
'2020838461A0C79F87865B2E3C282B21'X /* 4- */
'2682A98985A18C9692E15D242A293B5E'X /* 5- */
'2D2FB68E41B5C6AC808FD82C255F3E3F'X /* 6- */
'F390A8D3DED6D79591603A2340273D22'X /* 7- */
'F461626364656667686998E5D0ECFDAD'X /* 8- */
'F86A6B6C6D6E6F70717288E4E7F7F2CF'X /* 9- */

```





## Source Code for 4019 ASCII Printer

```

'7B4142434445464748492D0000000000'X /* C- */
'7D4A4B4C4D4E4F5051520000000000'X /* D- */
'5CF6535455565758595AFD0000000000'X /* E- */
'30313233343536373839000000000000'X. /* F- */
:PFNTWTH
DATA =
/* -0-1-2-3-4-5-6-7-8-9-A-B-C-D-E-F */
'0A0A0A0A0A0A0A0A0C0A0A0A0A0A'X /* 4- */
'0C0A0A0A0A060606060C0A0A0A0A'X /* 5- */
'0A0A0E0E0E0E0E0E0E0A0A0A0A'X /* 6- */
'0A0C0C0C0A0808080A0A0A060A0A'X /* 7- */
'0E0A0C0A0C0A080C0C060E0E0C0C0A'X /* 8- */
'0A060C060E0C0A0C0C0A0A0E0A0E'X /* 9- */
'0C0A0A080C0E0C0C0A0A0E0E0E'X /* A- */
'0A0A0A0A0A0A0A0A0A0A0A0A0A'X /* B- */
'0A0E0E0E0E0C0C0E0E080A0A0A0A'X /* C- */
'0A0A0E0C0E0E0E0C0E0E060C0C0C'X /* D- */
'0A0A0C0E0E0E0E0E0C0A0E0E0E'X /* E- */
'0A0A0A0A0A0A0A0A0A0A0E0E0E'X. /* F- */

:PMLGEBCTBL
EBCDICCP= 500
ASCII CP= 850
DATA =
/* -0-1-2-3-4-5-6-7-8-9-A-B-C-D-E-F */
'2020838485A0C68687A45B2E3C282B21'X /* 4- */
'26828898AA18C8B8DE15D242A293B5E'X /* 5- */
'2D2FB68EB7B5C78F80A5DD2C255F3E3F'X /* 6- */
'9B90D2D3D4D6D7D8DE603A2340273D22'X /* 7- */
'9D616263646566676869AEAFD0ECE7F1'X /* 8- */
'F86A6B6C6D6E6F707172A6A791F792CF'X /* 9- */
'E67E737475767778797ADA8D1EDE8A9'X /* A- */
'BD9CBFA9FF5F4ACABF3AA7CEEF9EFF2'X /* B- */
'7B414243444546474849F0939495A2E4'X /* C- */
'7D4A4B4C4D4E4F505152D5968197A398'X /* D- */
'5C20535455565758595AFDE299E3E0E5'X /* E- */
'30313233343536373839FCEA9AEBE900'X. /* F- */

:PFNTWTH
DATA =
/* -0-1-2-3-4-5-6-7-8-9-A-B-C-D-E-F */
'0A0A0A0A0A0A0A0A0C0A0A0A0A0A'X /* 4- */
'0C0A0A0A0A060606060C0A0A0A0A0A'X /* 5- */
'0A0A0E0E0E0E0E0E0E0A0A0A0A0A'X /* 6- */
'0A0C0C0C0C0808080A0A0A060A0A'X /* 7- */
'0E0A0C0A0C0A080C0C060E0E0C0C0A'X /* 8- */
'0A060C060E0C0A0C0C0A0A0E0A0E'X /* 9- */
'0C0A0A080C0E0C0C0A0A0E0E0E'X /* A- */
'0A0A0A0A0A0A0A0A0A0A0A0A0A'X /* B- */
'0A0E0E0E0E0C0C0E0E080A0A0A0A'X /* C- */
'0A0A0E0C0E0E0E0C0E0E060C0C0C'X /* D- */
'0A0A0C0E0E0E0E0E0C0A0E0E0E'X /* E- */
'0A0A0A0A0A0A0A0A0A0A0E0E0E'X. /* F- */

:PMLGEBCTBL
EBCDICCP= 870
ASCII CP= 852
DATA =
/* -0-1-2-3-4-5-6-7-8-9-A-B-C-D-E-F */
'20208384EEA0C79F87865B2E3C282B21'X /* 4- */
'2682A98985A18C9692E15D242A293B5E'X /* 5- */
'2D2FB68EF1B5C6AC808F7C2C255F3E3F'X /* 6- */
'F390A8D3DED6D79591603A2340273D22'X /* 7- */
'F461626364656667686998E5D0ECFDAD'X /* 8- */
'F86A6B6C6D6E6F70717288E4E7F7F2CF'X /* 9- */
'A57E737475767778797AB8D5D1EDFCB8'X /* A- */
'FAA4BEDDBDF5A7ABA68D9DE3E6F9EF9E'X /* B- */
'7B414243444546474849F09394EAA28B'X /* C- */

```





## Source Code for 4019 ASCII Printer

```

'5CCF535455565758595AE6E8EAEECEF2'X      /* E- */
'30313233343536373839F4F6F8FAFC00'X.      /* F- */
:PFNTWTH
DATA =
/* -0-1-2-3-4-5-6-7-8-9-A-B-C-D-E-F */
'0A0A0C0A0A0A0A0606060A0A0A0A0A'X      /* 4- */
'0C0E0E0C0C0C0C0E0E0E0A0A0A0A0A'X      /* 5- */
'0A0A0E0E0E0C08080A0E0A0A0A0A0A'X      /* 6- */
'0E0E0E0A0E0E0E0A0A0A0A0A060A0A'X      /* 7- */
'0C0A0C0A0C0A080C0C060C0A0C0A0A0C'X      /* 8- */
'0C060C060E0C0A0C0C0A0C0C0E0C0A0A'X      /* 9- */
'0C0A0A080C0C0E0C0C0A0C0A0A0C0E0C'X      /* A- */
'0C0E0A0E0A0E0C0C0E0E0E0E0C0E0E'X      /* B- */
'0A0E0E0E0E0C0C0E0E080E0E0E0E0E'X      /* C- */
'0A0A0E0C0E0E0E0C0E0E0E0E0E0C0E'X      /* D- */
'0A0A0C0E0E0E0E0E0C0E0E0E0E0E'X      /* E- */
'0A0A0A0A0A0A0A0A0A0A0E0E0E0A'X.      /* F- */

```

```

:PMLGEBCTBL
EBCDICCP= 892
ASCIIICP= 876
DATA =
/* -0-1-2-3-4-5-6-7-8-9-A-B-C-D-E-F */
'20200000000000000005B2E3C282B21'X      /* 4- */
'26000000000000000005D242A293B00'X      /* 5- */
'2D2F008E0000008F00A5002C25003E3F'X      /* 6- */
'000000000000000C400003A2340273D22'X      /* 7- */
'A76162636465666768690000000000'X      /* 8- */
'006A6B6C6D6E6F70717200000009200'X      /* 9- */
'000073747576777879A00000000000'X      /* A- */
'009C9D0000000000000007C00000DB'X      /* B- */
'7B4142434445464748490060000000'X      /* C- */
'7D4A4B4C4D4E4F505152007E0000005E'X      /* D- */
'5C20535455565758595A005F99000000'X      /* E- */
'3031323334353637383900009A000000'X.      /* F- */

```

```

:PFNTWTH
DATA =
/* -0-1-2-3-4-5-6-7-8-9-A-B-C-D-E-F */
'0A0A0A0A0A0A0A0A0C0A0A0A0A0A0A'X      /* 4- */
'0C0A0A0A0A0606060C0A0A0A0A0A0A'X      /* 5- */
'0A0A0E0E0E0E0E0E0E0A0A0A0A0A'X      /* 6- */
'0A0C0C0C0C0808080A0A0A0A060A0A'X      /* 7- */
'0E0A0C0A0C0A080C0C060E0E0C0C0A'X      /* 8- */
'0A060C060E0C0A0C0C0A0A0A0E0A0E'X      /* 9- */
'0C0A0A080C0C0E0C0C0A0A0A0E0E0A'X      /* A- */
'0A0A0A0A0A0A0A0A0A0A0A0A0A0A'X      /* B- */
'0A0E0E0E0E0C0C0E0E080A0A0A0A0A'X      /* C- */
'0A0A0E0C0E0E0E0C0E0E060C0C0C0C'X      /* D- */
'0A0A0C0E0E0E0E0E0C0A0E0E0E0E'X      /* E- */
'0A0A0A0A0A0A0A0A0A0A0E0E0E0A'X.      /* F- */

```

```

:PMLGEBCTBL
EBCDICCP= 893
ASCIIICP= 877
DATA =
/* -0-1-2-3-4-5-6-7-8-9-A-B-C-D-E-F */
'202000840000008600005B2E3C282B21'X      /* 4- */
'26000000000000000E15D242A293B5E'X      /* 5- */
'2D2F008E0000008F00A5002C255F3E3F'X      /* 6- */
'A60000000000A9C400603A2340273D22'X      /* 7- */
'A761626364656667686900000009BA'X      /* 8- */
'006A6B6C6D6E6F707172000091F792CF'X      /* 9- */
'007E73747576777879A00000000000'X      /* A- */
'009C9D0000F50000000007C00F9EFDB'X      /* B- */
'7B414243444546474849000094000000'X      /* C- */
'7D4A4B4C4D4E4F50515200008100005E'X      /* D- */
'5C20535455565758595A000099000000'X      /* E- */

```





## Source Code for HP4 ASCII Printer

```
ORIENT=LANDSCAPE
DATA = 360.
:INIPRT
DATA ='1B45'X.
:RESETPRT
DATA ='1B45'X.
:BELL
DATA ='07'X.
:SPACE
DATA ='20'X.
:CARRTN
DATA ='0D'X.
:FORMFEED
DATA ='0C'X.
:LINEFEED
DATA ='0A'X.
:VERRMOV
DIRECTION=UP
VAROFFSET= 4
VARLEN= 4
VARTYPE=CHRDEC
CNVNUM= 1
CNVDEN= 720
DATA ='1B26612D0000000056'X.
:VERRMOV
DIRECTION=DOWN
VAROFFSET= 4
VARLEN= 4
VARTYPE=CHRDEC
CNVNUM= 1
CNVDEN= 720
DATA ='1B26612B0000000056'X.
:HORRMOV
DIRECTION=FWD
VAROFFSET= 4
VARLEN= 4
VARTYPE=CHRDEC
CNVNUM= 1
CNVDEN= 720
DATA ='1B26612B0000000048'X.
:HORRMOV
DIRECTION=BCK
VAROFFSET= 4
VARLEN= 4
VARTYPE=CHRDEC
CNVNUM= 1
CNVDEN= 720
DATA ='1B26612D0000000048'X.
:STRBOLD
DATA ='1B28733342'X.
:ENDBOLD
DATA ='1B28733042'X.
:STRSUBS
DATA ='1B26612B2E3352'X.
:ENDSUBS
DATA ='1B26612D2E3352'X.
:STRSUPS
DATA ='1B26612D2E3352'X.
:ENDSUPS
DATA ='1B26612B2E3352'X.
:STRUS
DATA ='1B26643044'X.
:ENDUS
DATA ='1B266440'X.
:VARLSPC
VAROFFSET= 3
VARLEN= 3
```

## Source Code for HP4 ASCII Printer

```
VARTYPE=CHRDEC
CNVNUM= 1
CNVDEN= 48
DATA ='1B266C00000043'X.
:CPICOR
CPI=10
ASCIIFNT= 255
FNTWTH= 84
FNTATR= 1
DATA ='X.
:CPICOR
CPI=12
ASCIIFNT= 255
FNTWTH= 84
FNTATR= 1
DATA ='X.
:CPICOR
CPI=15
ASCIIFNT= 255
FNTWTH= 84
FNTATR= 1
DATA ='X.
:PRTORIENT
ORIENT=PORTRAIT
DATA ='1B266C304F'X.
:PRTORIENT
ORIENT=LANDSCAPE
DATA ='1B266C334F'X.
:PRTORIENT
ORIENT=RTT180
DATA ='1B266C324F'X.
:PRTORIENT
ORIENT=RTT270
DATA ='1B266C314F'X.
:SMPXPRT
DATA ='1B266C3053'X.
:DUPXPRT
DATA ='1B266C3153'X.
:TUMDUPXPRT
DATA ='1B266C3253'X.
:DWRSLT
DRAWER=PAPER
DATA ='1B266C3248'X.
:DWRSLT
DRAWER=ENVELOPE
DATA ='1B266C3368314F'X.
:DWRSLT
DRAWER=DRAWER1
DATA ='1B266C3148'X.
:DWRSLT
DRAWER=DRAWER2
DATA ='1B266C3448'X.
:PAGLENL
VAROFFSET= 3
VARLEN= 3
VARTYPE=CHRDEC
DATA ='1B266C00000050'X.
:PAGSIZXFM.
:PAGSIZE
PAGWTH= 8352
PAGLEN=11952
DATA ='1B266C303141'X.
:PAGSIZE
PAGWTH=10368
PAGLEN=14544
DATA ='1B266C303141'X.
:PAGSIZE
```



## Source Code for HP4 ASCII Printer

```

:INDFNT.
:INDFNTE
  FID= 186
  POINTSIZE= 0
  FNTSTR=' 1B28733170313276307330623431303154'X
  FNTEND='X
  FNTWTH=
/* -0-1-2-3-4-5-6-7-8-9-A-B-C-D-E-F */
'22ADAEA78FBEA777EFABEF7F696869AA'X /* 00- */
'62624A48635892514E4EADAD93AD6B6B'X /* 01- */
'48526E7878D3BB52525278D352525252'X /* 02- */
'78787878787878787878785252F0D3F06A'X /* 03- */
'D3AD95A3B29590ADB2525BA895D8B2AD'X /* 04- */
'8BAD9E8295B2ADE2ADAD9A5252527878'X /* 05- */
'786A786A786A52787843437843BB7878'X /* 06- */
'7878565B437878AD78786A6A786A78F0'X /* 07- */
'A3786A6A6A6A6A6A6A4343ADAD'X /* 08- */
'959ED3787878787878ADB27878D378'X /* 09- */
'6A43787878B278786AD3D3D3526060'X /* 0A- */
'78AD7878A36AB178526A7878787878'X /* 0B- */
'6A6A78786A6A78786A6A78786A6A7878'X /* 0C- */
'AD43ADD36A43789EAD43ADB1954378AD'X /* 0D- */
'907890909078876A9EAD906AF0905BF0'X /* 0E- */
'F0D3F0F0ADADD3F0785252AD78567848'X. /* 0F- */

:INDFNTE
  FID= 187
  POINTSIZE= 0
  FNTSTR=' 1B28733170313276307333623431303154'X
  FNTEND='X
  FNTWTH=
/* -0-1-2-3-4-5-6-7-8-9-A-B-C-D-E-F */
'22ADAEA78FBEA777EFABEF7F696869AA'X /* 00- */
'62625162635A92515656ADAD93AD6B6B'X /* 01- */
'48526E7878D3C452525278D352525252'X /* 02- */
'78787878787878787878785252F0D3F078'X /* 03- */
'D3AD9EADAD9E90BBB5B74BB9EE2ADBB'X /* 04- */
'90BBAD879EADADF0ADAD9E5252527878'X /* 05- */
'7878876A876A56788743528743C48778'X /* 06- */
'87876A5B528778AD78786A78787878F0'X /* 07- */
'AD876A787878786A6A6A4343ADAD'X /* 08- */
'9EADFC7878787878BBAD7878EA78'X /* 09- */
'7843788787AD787878D3D3D3526666'X /* 0A- */
'C7EFEF107F7F96967F963C9696967F7F'X /* 0B- */
'7FEFEF7FEFEF7F969696EFEF96EFEFEF'X /* 0C- */
'EFEFEF967F7F96EFEF7F7FEFEF7878EF'X /* 0D- */
'908790909078876A9EAD906AF0905BF0'X /* 0E- */
'F0D3F0F0ADADD3F0785252AD78567848'X. /* 0F- */

:INDFNTE
  FID= 188
  POINTSIZE= 0
  FNTSTR=' 1B28733170313276317330623431303154'X
  FNTEND='X
  FNTWTH=
/* -0-1-2-3-4-5-6-7-8-9-A-B-C-D-E-F */
'22ADAEA78FBEA777EFABEF7F696869AA'X /* 00- */
'62624A64635892514E4EADAD93AD6B6B'X /* 01- */
'48526E7878D3BB52525278D352525252'X /* 02- */
'78787878787878787878785252F0D3F078'X /* 03- */
'D390909EAD908BADAD526A9E87C69EAD'X /* 04- */
'90AD907887AD90C69087875252527878'X /* 05- */
'7878786A786A43787843436A43AD7878'X /* 06- */
'78785B5B43786A9E6A6A5B6A786A78F0'X /* 07- */
'9E786A787878786A6A6A4343439090'X /* 08- */
'909ED3787878786AADAD787878CF78'X /* 09- */
'78437878789E787878D3D3D3526F6F'X /* 0A- */
'C7EFEF107F7F96967F963C9696967F7F'X /* 0B- */
'7FEFEF7FEFEF7F969696EFEF96EFEFEF'X /* 0C- */

```

## Source Code for HP4 ASCII Printer

```

'EFEF7F96EF7F7FEF7878EF'X /* 0D- */
'907890909078876A9EAD906AF0905BF0'X /* 0E- */
'F0D3F0F0ADADD3F0785252AD78567848'X. /* 0F- */
:INDFNTE
FID= 189
POINTSIZE= 0
FNTSTR='1B28733170313276317333623431303154'X
FNTEND='X
FNTWTH=
/* -0-1-2-3-4-5-6-7-8-9-A-B-C-D-E-F */
'22ADAE78FBEA777EFABEF7F696869AA'X /* 00- */
'62625184635A92515656ADAD93AD6B6B'X /* 01- */
'485B7E7878D3BB52525278D352525252'X /* 02- */
'78787878787878787878785252F0D3F078'X /* 03- */
'D39E9E9EAD9E90ADBB5B789E90D3ADAD'X /* 04- */
'90A89E8790AD9ED39E90905252527878'X /* 05- */
'7878786A786A56788743437843BB8778'X /* 06- */
'78785B5B43876A9E786A5B787878F0'X /* 07- */
'9E876A7878786A6A6A4343439E9E'X /* 08- */
'9EA8DD78787887876AADAD787878D378'X /* 09- */
'7843788787AC787878D3D3D3D35B6A6A'X /* 0A- */
'C7E7E7F107F7F96967F963C9696967F7'X /* 0B- */
'7FE7E7F7FE7E7F969696E7E7E7E7E7E7'X /* 0C- */
'EFEF7F96EF7F7FEF7878EF'X /* 0D- */
'907890909078876A9EAD906AF0905BF0'X /* 0E- */
'F0D3F0F0ADADD3F0785252AD78527848'X. /* 0F- */
:EINDFNT.
:ASCCPINF0.
:CODEPAGE
CODEPAGE= 437
DATA ='1B28313055'X.
:CODEPAGE
CODEPAGE= 850
DATA ='1B28313255'X.
:EASCCPINF0.
:HORAMOV
VAROFFSET= 3
VARLEN= 4
VARTYPE=CHRDEC
CNVNUM= 1
CNVDEN= 720
DATA ='1B26610000000048'X.
:VERAMOV
VAROFFSET= 3
VARLEN= 4
VARTYPE=CHRDEC
CNVNUM= 1
CNVDEN= 720
DATA ='1B26610000000056'X.
:TOPMARGINI
VAROFFSET= 8
VARLEN= 4
VARTYPE=CHRDEC
CNVNUM= 1
CNVDEN= 48
DATA ='1B266C31431B266C0000000045'X.
:TEXTLENL
VAROFFSET= 3
VARLEN= 4
VARTYPE=CHRDEC
DATA ='1B266C00000000461B26613052'X.
:PRTNXTCHR
DATA ='1B26703158'X.
:RASEND
DATA ='1B2A7242'X.
:PRTANGLE
ANGLE=0

```



## Source Code for HP4 ASCII Printer

```
DATA ='1B26613050'X.  
:PRTANGLE  
  ANGLE=90  
  DATA ='1B266132373050'X.  
:PRTANGLE  
  ANGLE=180  
  DATA ='1B266131383050'X.  
:PRTANGLE  
  ANGLE=270  
  DATA ='1B2661393050'X.  
:EWSCST.
```

## Source Code for HP4 ASCII Printer

## Appendix C. Character to Hexadecimal Value Tables

The following tables are provided for your convenience; however, because workstation customizing is dependent on the type of device you are customizing, the values in these tables may not correspond to those that your device supports. Use these tables as a basis to help you find the correct hexadecimal values for your device. To use these tables, use the numbers running along the top of the table as the first hexadecimal digit. For example, the DLE key in Table 41 is '10'X.

### ASCII Character Code to Hexadecimal Value Chart

Table 41. ASCII Character Code to Hexadecimal Value Conversion Table

Second Hex Digit	First Hex Digit							
	0	1	2	3	4	5	6	7
0	NUL	DLE	SP	0	@	P	`	p
1	SOH	DC1	!	1	A	Q	a	q
2	STX	DC2	"	2	B	R	b	r
3	ETX	DC3	#	3	C	S	c	s
4	EOT	DC4	\$	4	D	T	d	t
5	ENG	NAK	%	5	E	U	e	u
6	ACK	SYN	&	6	F	V	f	v
7	BEL	ETB	'	7	G	W	g	w
8	BS	CAN	(	8	H	X	h	x
9	HT	EM	)	9	I	Y	i	y
A	LF	SUB	*	:	J	Z	j	z
B	VT	ESC	+	;	K	[	k	{
C	FF	FS	,	<	L	\	l	
D	CR	GS	-	=	M	]	m	}
E	SO	RS	.	>	N	^	n	~
F	SI	US	/	?	O	—	o	DEL

### EBCDIC Character Code to Hexadecimal Value Chart

The characters and the hexadecimal values for this table vary depending on the code page and character set you select when you retrieve the workstation customizing source. For the EBCDIC character code information for all of the supported code pages, see the *International Application Development* book.

Table 42. EBCDIC Character Code to Hexadecimal Value Conversion Table

Second Hex Digit	First Hex Digit															
	0	1	2	3	4	5	6	7	8	9	A	B	C	D	E	F
0	NUL	DLE	DS		Sp	&	-				minus	°			\	0
1	SOH	DC1	SOS				/		a	j	°	¹	A	J		1

Table 42. EBCDIC Character Code to Hexadecimal Value Conversion Table (continued)

Second Hex Digit	First Hex Digit															
	0	1	2	3	4	5	6	7	8	9	A	B	C	D	E	F
2	STX	DC2	FS	SYN					b	k	s	<sup>2</sup>	B	K	S	2
3	ETX	TM							c	l	t	<sup>3</sup>	C	L	T	3
4	PF	RES	BYP	PN					d	m	u	<sup>4</sup>	D	M	U	4
5	HT	NL	LF	RS					e	n	v	<sup>5</sup>	E	N	V	5
6	LC	BS	ETB	UC					f	o	w	<sup>6</sup>	F	O	W	6
7	DEL	IL	ESC	EOT					g	p	x	<sup>7</sup>	G	P	X	7
8		CAN							h	q	y	<sup>8</sup>	H	Q	Y	8
9		EM							i	r	z	<sup>9</sup>	I	R	Z	9
A	SMM	CC	SM		¢	!	!	:								
B	VT	CU1	CU2	CU3	.	\$	,	#	{	}	⌞	⌞				
C	FF	IFS		DC4	<	*	%	@	≤	∩	∩	∩				
D	CR	IGS	ENQ	NAK	(	)	—	'	(	)	[	]				
E	SO	IRS	ACK		+	;	>	XXX	+	±	≥	≠				
F	SI	IUS	BEL	SUB		¬	?	"	+	▪	•	—				

---

## Appendix D. Setting Up to Customize a Display

The following procedures are provided to assist you in setting up a display for the workstation customizing procedures. The first procedure helps you get a Sign On screen to be displayed correctly on an ASCII display before you customize it. The second procedure helps you set up a 3477 display and verify it is a Model H when you want to attach an ASCII printer.

---

### Setting Up to Customize an ASCII Display

When the Sign On screen is not displayed correctly, you need to do some customizing before planning for the actual customization. This is because you cannot experiment with the device unless you can at least sign on to the AS/400 system.

The following procedure is provided to help you display a Sign On screen correctly, so that you can determine the remaining the device characteristics you want to customize.

**Note:** If your ASCII workstation is totally incompatible with the device type you specified in your device description, this procedure may not help you. If you still do not have a Sign On screen displayed on your workstation after following this procedure, try changing the device type and model you specified in the device description for the workstation and for the Retrieve Work Station Customizing Object Source (RTVWSCST) command.

1. Use the RTVWSCST command to retrieve the default source for the device type you selected for your device description. You need the following information for the command parameters:

**Device type**

This should be the same as the device type you specified when you created the device description.

**Keyboard language type**

This should match either the language type supported for your AS/400 system or the language that you want to use for this display.

**Source member name**

This name should be unique so that you can recognize and keep track of your workstation customizing source.

**Source file name / library**

This is QXTSRC unless you have created a source file specifically for your workstation customizing source members. The library you specify here can contain both the source file and member and the compiled customizing object.

**Text description**

This is any text that you may want to use to help you identify this source member.

2. Use the Start SEU (STRSEU) command to edit the source file member you just created. You will need your device reference manual to map at least the following functions correctly. For more complete information about the tags described here, see Chapter 8. Customizing ASCII Displays.

**CLRSCN (Clear Screen) Tag**

Check the device reference manual to find the hexadecimal value that your

display supports to clear the screen. If the value in your workstation customizing source is not the same as the value listed in your device reference manual, change the hexadecimal value in the source accordingly. (See "Update Screen Tags" on page 104 for more information about this tag.)

**Note:** If your display does not support the Clear Screen command, try mapping it to one or more other commands supported by your display that will do the equivalent of clearing the screen. For example, on a VT-52\*\* display, sequences for two separate VT-52 commands, Set Home and Clear to End of Screen, can be specified in the DATA keyword for the CLRSCN tag to perform the clear screen function.

#### **CSRADR (Set Cursor Address) Tag**

This affects the positions of the characters shown on the ASCII display. Use the device reference manual to determine the values for the keywords associated with this tag. Change the values on the CSRADR tag keywords to match those given in your device reference manual. If these values do not apply to your device type, set these keywords to 0. (See "Set Cursor Address (CSRADR) Tag" on page 106 for more information about this tag.)

#### **DSCNTBL (Update Screen Table) Tag**

You do not need to change all of the keyword values for this tag, only the ADDRMOD (address mode) and CHARATR (character) keywords to begin testing the device. Find the values your device uses for these keywords in the device reference manual and specify the correct addressing mode supported by your display. This is CHAR for numeric addressing, and BINARY if your display uses graphic characters. The CHARATR keyword is normally set to FIELD depending on the display type you selected when you retrieved the workstation customizing source.

3. Change the following keyboard function tags so that you can complete the testing for planning workstation customizing. (For more information about these and other keyboard function tags, see "Keyboard Function Tags" on page 120.)

#### **ENTER (Enter)**

This value is usually '0D'X (carrier return)

#### **TSTREQ (Test request)**

This value is usually '1B74'X (ESC + t )

4. Use the Create Work Station Customizing Object (CRTWSCST) command to compile the workstation customizing object. You need the following information for the command parameters:

#### **WSCST name/Library**

The name you want to call the customizing object. This is the name you will specify in your device description for the ASCII display. The library may be the same as the one you specified for the source file or you may create a library specifically for the compiled customization objects.

#### **Source member**

This is the same source member name you used to retrieve the source in step 1.

#### **Text description**

This is a text description you can use to help you further identify the customizing object.

5. Use the Change Device Description (Display) (CHGDEV DSP) command and press F10 (Additional parameters) to show the *Workstation customizing object* (WSCST) field. Type the name of the workstation customizing object you created in the previous step and specify the library where the object is stored.
6. Vary on the device and see if the AS/400 Sign On display is shown. (If the device is already varied on, you must vary it off and then vary it on again for the customizing object to be used with the device.)

Your ASCII display should have at least minimal function and a Sign On screen displayed. If you cannot get the display to this point, you should try changing the device type and model in the device description for the display, and vary the device off and then on again. To determine the correct device type to select, you need to compare the characteristics of your unsupported ASCII display with the characteristics of the supported IBM displays. To help you with this comparison, see the *ASCII Work Station Reference* book. When you find a supported display that has at least some matching characteristics to your ASCII display, you can then use the device type the AS/400 system selected to retrieve the workstation customizing source and try this procedure again to get to an AS/400 Sign On display.

---

## Setting Up a 3477 Twinaxial Display

The following procedure helps you set up the 3477 display. It also provides the extra steps to verify that the display is a Model H and can support an attached ASCII printer. If you only want to set up the display, then you can leave out the settings for the printer. These are in step 6 of the procedure. To set up the display (and verify that the 3477 is a Model H), do the following:

1. Turn on the power for the display while pressing and holding the spacebar. The Offline Setup menu appears.
2. Move the cursor to the *Customize workstation* option and press the Enter key. The first Customization display appears.
3. Move the cursor to specify the *Display-printer for the terminal mode* option and press the spacebar.
4. Move the cursor to the appropriate address for the display and press the spacebar to select the address.
5. Move the cursor to the appropriate address for the printer and press the spacebar to select the address.
6. Use the cursor and the spacebar to make appropriate selections for the following fields. (You will need to page down to get to all these fields.)
  - Character set
  - Printer character set (usually one of the multilingual sets)
  - Printer emulation (if laser printer select 5219; otherwise select 4214)
  - Keyboard type (standard)
  - ASCII Printer type (user-defined)
  - ASCII Printer ID (select any ID number except 00)
7. Press F3 (Save and exit) to save these settings and return to the Offline Setup display.
8. Press F3 (Save and exit) to return to communication mode.

If you are working with a 3477 display and the final Customization Setup menu did not show the ASCII printer type or ASCII printer ID fields, then your 3477 display is not a Model H and you cannot customize an attached ASCII printer using the OS/400 workstation customizing functions.





## Appendix E. Workstation Customizing Planning Work Sheets

You may copy the following maps and tables and use them for work sheets to help you plan for and work through the customizing process for displays and printers.

### Matching Command Parameters

Use the following commands to set up and use the OS/400 workstation customizing functions:

- Retrieve Work Station Customizing Object Source (RTVWSCST) command
- Create Work Station Customizing Object (CRTWSCST) command
- Create Device Description (Display) (CRTDEV DSP) command
- Create Device Description (Printer) (CRTDEV PRT) command

Devices that do not use the host print transform function have matching keywords and parameters for these commands, as shown in Table 43. Printers that use the host print transform function have matching keywords and parameters for these commands, as shown in Table 44 on page 374.

An X in these tables indicates that the parameter should have the same value for the device description commands as it does in the workstation customizing commands. For example, if you are going to customize an ASCII display, the device type (DEVTYPE) parameter for the RTVWSCST command should be the same value as the device type (TYPE) parameter you specified in the CRTDEV DSP command.

**Note:** You should create the device descriptions for the workstations you want to customize before you retrieve a source file member or create the customizing object.

Table 43. Matching Command Parameters--Devices That Do Not Use Host Print Transform Function

Parameter (KEYWORD)	CRTDEV DSP	CRTDEV PRT	RTVWSCST	CRTWSCST
Device type (TYPE, DEVTYPE)	X	X	X	
Keyboard language type (KBDTYPE, LNGTYPE)	X	X	X	
Workstation customizing object (WSCST)	X	X		X
Library (LIB)	X	X	X	X
Source file (SRCFILE)			X	X
Source member (SRCMBR)			X	X

Figure 53 provides a graphic representation of the table for devices that do not use the host print transform function.. Each parameter in the figure is mapped to a corresponding parameter in the device description commands. These corresponding parameters must match when you set up the customization of a device.

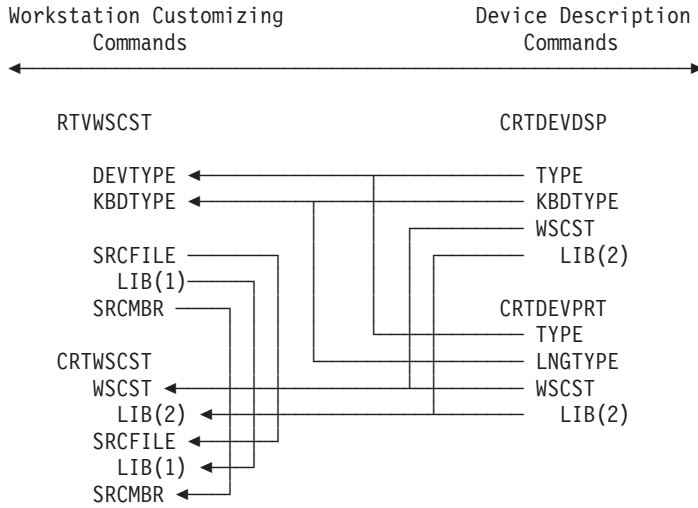


Figure 53. Matching Command Parameters

Table 44. Matching Command Parameters--Printers That Use Host Print Transform Function

Parameter (KEYWORD)	CRTDEVPRT	RTVWSCST	CRTWSCST
Manufacturer, type, and model (MFR TYPMDL)	X (except when value is *WSCST)	X	
Workstation customizing object (WSCST)	X		X
Library (of workstation customizing object)	X		X
Source member (SRCMBR)		X	X
Source file (SRCFILE)		X	X
Library (of source file)		X	X

## Work Sheets for Planning to Customize a Display Workstation

Following are work sheets you can copy and use in planning to customize a display workstation.

Command Parameters for ASCII and Twinaxial Displays		
Command	Parameter	Value
CRTDEV DSP	TYPE	
	KBDTYPE	
	WSCST	
	LIB	





ASCII to Keyboard Function Mapping Table		
Tag	Key Sequence	Hexadecimal Data
ENTER		
ERSINP		
ERSEOF		
ERRRESET		
FCSRLEFT		
FCSRRIGHT		
FLDADV		
FLDBSP		
FLDEXIT		
FLDPLUS		
FLDMINUS		
FLDMRK		
HELP		
HEX		
HOME		
INSERT		
LATINON		
NEWLINE		
NTLON		
PRINT		
PAGDOWN		
PAGUP		
PA1		
PA2		
PA3		
READSTS		
RVS		
SHIFTIN		
SHIFTOUT		
SCNREFRESH		
SYSREQ		
TOGIND		
TOPPAG		
TSTREQ		
<b>Note:</b> You may have more than one entry for each tag.		

ASCII to Keyboard Function Mapping Table (Text Functions)		
Tag	Key Sequence	Hexadecimal Data
PAGEND		
RQDTAB		
FWDTAB		
WORDUS		
STRUS		
HLFIDXUP		
HLFIDXDN		
STOPCODE		
END		
CARRTN		
CENTER		
BOLD		
NEXTSTOP		
RQDSPC		
DSPSYM		
STRLINE		
ENDLINE		

ASCII to Keyboard Function Mapping Table (Function Keys)		
Tag	Key Sequence	Hexadecimal Data
F1		
F2		
F3		
F4		
F5		
F6		
F7		
F8		
F9		
F10		
F11		
F12		
F13		
F14		
F15		
F16		
F17		
F18		

ASCII to Keyboard Function Mapping Table (Function Keys)		
Tag	Key Sequence	Hexadecimal Data
F19		
F20		
F21		
F22		
F23		
F24		
You may have more than one entry for each function key.		

## Work Sheets for Customizing ASCII Printers That Use the Host Print Transform Function

The following tables are for you to copy and use as work sheets for customizing an ASCII printer that uses host print transform function.

Table 45. Command Parameters for ASCII Printers That Use the Host Print Transform Function

Command	Parameter	Value
CRTDEVPRT	TRANSFORM	*YES
	MFRTYPMDL	
	WSCST	
	LIB	
RTVWSCST	DEVTYPE	*TRANSFORM
	MFRTYPMDL	
	SRCMBR	
	SRCFILE	
	LIB	
	TEXT	
CRTWSCST	WSCST	
	LIB	
	SRCMBR	
	SRCFILE	
	LIB	

## Work Sheets for ASCII Printer Functions

Table 46. Customizing Printer Controls

Tag	Description	Data
BELL	Bell	DATA=
CARRTN	Carrier return	DATA=
DUPXPRT	Set duplex printing	DATA=

Table 46. Customizing Printer Controls (continued)

Tag	Description	Data
INITPRT	Initialize printer	DATA=
JOGOUTTRAY	Jog output tray	DATA=
NXTDUPXPRT	Select next side printing in duplex	DATA=
PRTANGLE	Sets print direction on page	ANGLE= DATA=
PRTNXTCHR	Causes next byte of data to be treated as a character rather than a printer control	DATA=
RASEND	End raster graphics	DATA=
RESETPRT	Reset printer	DATA=
SMPXPRT	Set simplex printing	DATA=
TUMDUPXPRT	Set tumble duplex printing	DATA=

Table 47. Customizing Printer Data Streams

Tag	Description	Data
PRTDTASTRM	Printer data stream	DATASTREAM=

Table 48. Customizing Print Media Size

Tag	Description	Data
ENVSIZXFM	Set envelope size for transform	None.
ENVSIZ	Envelope size entry	ENVWTH= ENVLEN= DATA=
ENVSIZ	Envelope size entry	ENVWTH= ENVLEN= DATA=
EENVSIZXFM	End set envelope size for transform	None.
PAGSIZXFM	Set page size for transform	None.
PAGSIZE	Page size entry	PAGWTH= PAGLEN= DATA=
PAGSIZE	Page size entry	PAGWTH= PAGLEN= DATA=
PAGSIZE	Page size entry	PAGWTH= PAGLEN= DATA=
EPAGSIZXFM	End set page size for transform	None.

Table 49. Customizing Highlighting

Tag	Description	Data
STRBOLD	Start bold printing	DATA=
ENDBOLD	End bold printing	DATA=
STRUS	Start underscore	DATA=
ENDUS	End underscore	DATA=



Table 50. Customizing Horizontal Spacing and Movement

Tag	Description	Data
BSP	Backspace	DATA=
CPI	Set characters per inch	CPI= DATA=
CPI	Set characters per inch	CPI= DATA=
CPI	Set characters per inch	CPI= DATA=
CPICOR	Set characters per inch in COR mode	CPI = ASCIIFNT= FNTWTH= FNTATR= DATA=
CPICOR	Set characters per inch in COR mode	CPI = ASCIIFNT= FNTWTH= FNTATR= DATA=
CPICOR	Set characters per inch in COR mode	CPI = ASCIIFNT= FNTWTH= FNTATR= DATA=
HORAMOV	Print position in current line	VAROFFSET= VARLEN= VARTYPE= CNVNUM= CNVDEN= DATA=
HORRMOV	Horizontal relative movement	DIRECTION= VAROFFSET= VARLEN= VARTYPE= CNVNUM= CNVDEN= DATA=
HORRMOV	Horizontal relative movement	DIRECTION= VAROFFSET= VARLEN= VARTYPE= CNVNUM= CNVDEN= DATA=
STRPROP	Start proportional spacing	DATA=
ENDPROP	End proportional spacing	DATA=
SPACE	Space	DATA=

Table 51. Customizing Vertical Spacing and Movement

Tag	Description	Data
FORMFEED	Form feed	DATA=
HLFLINEFEED	Half line feed	DATA=

Table 51. Customizing Vertical Spacing and Movement (continued)

Tag	Description	Data
LINEFEED	Line feed	DATA=
VERAMOV	Print position in current column	VAROFFSET= VARLEN= VARTYPE= CNVNUM= CNVDEN= DATA=
VERRMOV	Vertical relative movement	DIRECTION= VAROFFSET = VARLEN= VARTYPE= CNVNUM= CNVDEN= DATA=
RVSHLFLINEFEED	Reverse half line feed	DATA=
RVSLINEFEED	Reverse line feed	DATA=
LPI	Set lines per inch	LPI= DATA=
LPI	Set lines per inch	LPI= DATA=
LPI	Set lines per inch	LPI= DATA=
LPI	Set lines per inch	LPI= DATA=
VARLSPC	Variable line spacing	VAROFFSET= VARLEN= VARTYPE= CNVNUM= CNVDEN= DATA=

Table 52. Customizing Indexing

Tag	Description	Data
STRSUBS	Start subscript	DATA=
ENDSUBS	End subscript	DATA=
STRSUPS	Start superscript	DATA=
ENDSUPS	End superscript	DATA=

Table 53. Customizing Color

Tag	Description	Data
FOREGRND	Foreground color	COLOR= DATA=
FOREGRND	Foreground color	COLOR= DATA=
FOREGRND	Foreground color	COLOR= DATA=
FOREGRND	Foreground color	COLOR= DATA=

Table 53. Customizing Color (continued)

Tag	Description	Data
FOREGRND	Foreground color	COLOR= DATA=

Table 54. Customizing the No Print Border

Tag	Description	Data
NOPRTBDR	Set no print border	OPTION= ORIENT= DATA=
NOPRTBDR	Set no print border	OPTION= ORIENT= DATA=
NOPRTBDR	Set no print border	OPTION= ORIENT= DATA=
NOPRTBDR	Set no print border	OPTION= ORIENT= DATA=

Table 55. Customizing Page Length

Tag	Description	Data
PAGLENI	Set page length in inches	VAROFFSET= VARLEN= VARTYPE= CNVNUM= CNVDEN= DATA=
PAGLENL	Set page length in lines	VAROFFSET= VARLEN= VARTYPE= DATA=

Table 56. Customizing Paper Drawer Selection

Tag	Description	Data
DWRSLT	Paper drawer selection	DRAWER= DATA=
DWRSLT	Paper drawer selection	DRAWER= DATA=
DWRSLT	Paper drawer selection	DRAWER= DATA=
DWRSLT	Paper drawer selection	DRAWER= DATA=
TEXTLENL	Text length in lines	VAROFFSET= VARLEN= VARTYPE= DATA=
TOPMARGINI	Top margin in inches	VAROFFSET= VARLEN= VARTYPE= CNVNUM= CNVDEN= DATA=

Table 57. Customizing Paper Orientation

Tag	Description	Data
PRTORIENT	Paper orientation	ORIENT= DATA=
PRTORIENT	Paper orientation	ORIENT= DATA=
PRTORIENT	Paper orientation	ORIENT= DATA=
PRTORIENT	Paper orientation	ORIENT= DATA=

Table 58. Customizing Print Quality

Tag	Description	Data
PRTQLTY	Print quality	QLTYTYPE= DATA=
PRTQLTY	Print quality	QLTYTYPE= DATA=
PRTQLTY	Print quality	QLTYTYPE= DATA=

Table 59. Customizing Fonts

Tag	Description	Data
FNTGRP	Font group	None.
FNTGRPE	Font group entry	MINFID= MAXFID= FNTSTR= FNTEND= FNTWTH=
FNTGRPE	Font group entry	MINFID= MAXFID= FNTSTR= FNTEND= FNTWTH=
EFNTGRP	End font group	None.
INDFNT	Individual font	None.
INDFNTE	Individual font entry	FID= POINTSIZE= FNTSTR= FNTEND= FNTWTH=
INDFNTE	Individual font entry	FID= POINTSIZE= FNTSTR= FNTEND= FNTWTH=
EINDFNT	End Individual font	None.

Table 60. Customizing Code Page Support

Tag	Description	Data
ASCCPINFO	ASCII code page information	None.

Table 60. Customizing Code Page Support (continued)

Tag	Description	Data
CODEPAGE	Set code page	CODEPAGE= DATA=
ASCICTL	ASCII control code mapping	ASCII= DATA=
ASCICTL	ASCII control code mapping	ASCII= DATA=
ASCICTL	ASCII control code mapping	ASCII= DATA=
CODEPAGE	Set code page	CODEPAGE= DATA=
ASCICTL	ASCII control code mapping	ASCII= DATA=
ASCICTL	ASCII control code mapping	ASCII= DATA=
ASCICTL	ASCII control code mapping	ASCII= DATA=
EASCCPINFO	End ASCII code page information	None.
DFTASCCP	Default ASCII code page	ASCIICP=
EBCASCTBL	EBCDIC-to-ASCII mapping table	None.
EBCASCTBLE	EBCDIC-to-ASCII mapping table entry	EBCDICCP= ASCIICP= DATA=
EBCASCTBLE	EBCDIC-to-ASCII mapping table entry	EBCDICCP= ASCIICP= DATA=
EBCASCTBLE	EBCDIC-to-ASCII mapping table entry	EBCDICCP= ASCIICP= DATA=
EEBCASCTBL	End EBCDIC-to-ASCII mapping table	None.

## Work Sheet for Customizing ASCII Printers That Use the Emulator on the Display

The following tables are for you to copy and use as work sheets for customizing an ASCII printer that uses the emulator on the display.

Command Parameters for ASCII Printers		
Command	Parameter	Value
CRTDEVPRT	TYPE	
	LNGTYPE	
	WSCST	
	LIB	

Command Parameters for ASCII Printers		
Command	Parameter	Value
RTVWSCST	DEVTYPE	
	KBDTYPE	
	SRCMBR	
	SRCFILE	
	LIB	
	TEXT	
CRTWSCST	WSCST	
	LIB	
	SRCMBR	
	SRCFILE	
	LIB	

## Work Sheets ASCII Printers Attached to 3477 Model H, 3486, 3487, and 3488 Displays

Table 61. Printer Function Tags for Printers Attached to 3477 Model H Displays

Tag	Description	Data
FWDRMOV	Forward relative movement	VAROFFSET = VARLEN= VARTYPE= VARMAX= ADJUST= CNVNUM= CNVDEN= DATA=
BCKRMOV	Backward relative movement	VAROFFSET = VARLEN= VARTYPE= VARMAX= ADJUST= CNVNUM= CNVDEN= DATA=
PAGLENI	Set page length in inches	VAROFFSET= VARLEN= VARTYPE= VARMAX= ADJUST= CNVNUM= CNVDEN= DATA=

Table 61. Printer Function Tags for Printers Attached to 3477 Model H Displays (continued)

Tag	Description	Data
VARLSPC	Variable line spacing	VAROFFSET= VARLEN= VARTYPE= VARMAX= ADJUST= CNVNUM= CNVDEN= DATA=
BSP	Backspace	DATA=
BELL	Bell	DATA=
STRBOLD	Start bold printing	DATA=
ENDBOLD	End bold printing	DATA=
CARRTN	Carriage return	DATA=
CPI	Set characters per inch	CPI= DATA=
CPI	Set characters per inch	CPI= DATA=
CPI	Set characters per inch	CPI= DATA=
CODEPAGE	Set code page	CODEPAGE= DATA=
DBLCHRH	Set double character height	DATA=
STRWIDE	Start double-wide continuous	DATA=
ENDWIDE	End double-wide continuous	DATA=
DWRSLT	Drawer selection	DRAWER= DATA=
FNTGPDT	Global fonts for printer definition table	
EFNTGPDT	End global fonts for PDT	
FNTGRNG	Global font range	MINFID= MAXFID= DATA=
FOREGND	Foreground color	COLOR= DATA=
FORMFEED	Form feed	DATA=
INITPRT	Initialize printer	DATA=
LINEFEED	Line feed	DATA=
LPI	Set lines per inch	LPI= DATA=
LPI	Set lines per inch	LPI= DATA=
PAGLENL	Set page length in lines	VAROFFSET= VARLEN= VARTYPE= VARMAX= ADJUST= DATA=

Table 61. Printer Function Tags for Printers Attached to 3477 Model H Displays (continued)

Tag	Description	Data
PRTFEED	Paper feed	FEEDTYPE= DATA=
PRTORIENT	Paper orientation	ORIENT= DATA=
PRTQLTY	Print quality	QLTYTYPE= DATA=
STRPROP	Start proportional space mode	DATA=
ENDPROP	End proportional spacing	DATA=
SETQLTY	Quality font download	QLTYTYPE= DATA=
SPACE	Space	DATA=
STDCHRH	Set standard character height	DATA=
STRSUBS	Start subscript	DATA=
ENDSUBS	End subscript	DATA=
STRSUPS	Start superscript	DATA=
ENDSUPS	End superscript	DATA=
TBLNAME	Table name	DATA=
TRNEBCDIC	Translation table	
TRNEBCDICE	Translation entry	EBCDIC code= DATA=
ETRNEBCDIC	End translation printer definition table	
STRUS	Start underscore	DATA=
ENDUS	End underscore	DATA=
VERUNT	Set vertical units	DATA=
<b>Note:</b> Printer definition table (PDT) for a 3477 Model H, 3486, 3487, or 3488 Display DEVCLASS = TWINXPRT		

## Additional Work Sheets ASCII Printers Attached to 3486, 3487, and 3488 Displays

Table 62. Additional Printer Function Tags for Printers Attached to 3486, 3487, and 3488 Displays

Tag	Description	Data
ADJHRZORG	Adjust horizontal origin	ADJUST=
ADJVERORG	Adjust vertical origin	ADJUST=
CPI	Set characters per inch	CPI= DATA=
CPI	Set characters per inch	CPI= DATA=
CPI	Set characters per inch	CPI= DATA=



Table 62. Additional Printer Function Tags for Printers Attached to 3486, 3487, and 3488 Displays (continued)

Tag	Description	Data
CPICOR	Set characters per inch in COR mode	CPI = ASCIIFNT= FNTWTH= FNTATR= DATA=
DUPXPRT	Set duplex printing	DATA=
HLFLINEFEED	Half line feed	DATA=
JOGOUTTRAY	Jog output tray	
NXTDUPXPRT	Select next side printing in duplex	DATA=
PRTORIENT	Paper orientation	ORIENT= DATA=
RVSHLFLINEFEED	Reverse half line feed	DATA=
RVSLINEFEED	Reverse line feed	DATA=
SMPXPRT	Set simplex printing	DATA=
TUMDUPXPRT	Set tumble duplex printing	DATA=
VERUNTHLF	Set vertical units in half	DATA=
<b>Note:</b> Printer definition table (PDT) for 3486, 3487, or 3488 Displays with DEVCLASS = TWINAXPRT		

## Work Sheets for ASCII Printers That Use the Emulator on the Workstation Controller

The following tables are for you to copy and use as work sheets to customize ASCII printers that use the emulator on the workstation controller.

Command Parameters for ASCII Printers		
Command	Parameter	Value
CRTDEVPRT	TYPE	
	LNGTYPE	
	WSCST	
	LIB	
RTVWSCST	DEVTYPE	
	KBDTYPE	
	SRCMBR	
	SRCFILE	
	LIB	
	TEXT	

Command Parameters for ASCII Printers		
Command	Parameter	Value
CRTWSCST	WSCST	
	LIB	
	SRCMBR	
	SRCFILE	
	LIB	

Work Sheet for the Default EBCDIC-to-ASCII Mapping Table																
First Hex Digit	Second Hex Digit															
	0	1	2	3	4	5	6	7	8	9	A	B	C	D	E	F
4																
5																
6																
7																
8																
9																
A																
B																
C																
D																
E																
F																

Work Sheet for the Font Width Table																
First Hex Digit	Second Hex Digit															
	0	1	2	3	4	5	6	7	8	9	A	B	C	D	E	F
4																
5																
6																
7																
8																
9																
A																
B																
C																
D																
E																
F																

Work Sheet for the Font Width Table																
First Hex Digit	Second Hex Digit															
	0	1	2	3	4	5	6	7	8	9	A	B	C	D	E	F
<b>Note:</b> There must be one of these tables for <u>each</u> default EBCDIC-to-ASCII mapping table you provide in your source.																

Work Sheet for Printer Function Tags with Only a Data Parameter		
Tag	Description	Hexadecimal Data
BELL	Bell	DATA=
BSP	Backspace	DATA=
CARRTN	Carrier return	DATA=
ENDBOLD	End bold printing	DATA=
ENDSUBS	End subscript	DATA=
ENDSUPS	End superscript	DATA=
ENDUS	End underscore	DATA=
FNTGPFT	Set font global for PFT	DATA=
FORMFEED	Form feed	DATA=
INITPRT	Initialize printer	DATA=
INITVON	Initialization at vary on	DATA=
LINEFEED	Line feed	DATA=
PRTCTL	Printer control flags Valid values are: '00'X No flags set '01'X Printer response allowed '02'X Page length change in middle of page not allowed '30'X Inhibit computer output reduction (COR) mode '80'X Font widths in 1/1440-inch units	DATA=
RVSIDX	Reverse index	DATA=
SPACE	Space	DATA=
STRBOLD	Start bold printing	DATA=
STRPROP	Start proportional space mode	DATA=
STRSUBS	Start subscript	DATA=
STRSUPS	Start superscript	DATA=
STRUS	Start underscore	DATA=
<b>Note:</b> Printer function table (PFT) DEVCLASS = ASCII PRT		

Work Sheet for Printer Function Tags with a Variable		
Tag	Description	Data
CODPAGVAR	Set code page	VAROFFSET= VARLEN= VARTYPE= DATA=

Work Sheet for Printer Function Tags with a Variable		
Tag	Description	Data
FNTTYPE	Font type	VAROFFSET= VARLEN= VARTYPE= DATA=
PRISPCM	Set primary spacing mode	VAROFFSET= VARLEN= VARTYPE= DATA=
PRISTYLE	Set primary style	VAROFFSET= VARLEN= VARTYPE= DATA=
<b>Note:</b> Printer function table (PFT) DEVCLASS = ASCIIIPRT		

Work Sheet for Printer Function Tags with a Variable and Relative Movement		
Tag	Description	Data
BCKRMOV	Backward relative movement	VAROFFSET= VARLEN= VARTYPE= VARMAX= ADJUST= CNVNUM= CNVDEN= DATA=
FWDRMOV	Forward relative movement	VAROFFSET= VARLEN= VARTYPE= VARMAX= ADJUST= CNVNUM= CNVDEN= DATA=
PAGLENI	Set page length in inches	VAROFFSET= VARLEN= VARTYPE= VARMAX= ADJUST= CNVNUM= CNVDEN= DATA=
PRICHRH	Set primary character height	VAROFFSET= VARLEN= VARTYPE= VARMAX= ADJUST= CNVNUM= CNVDEN= DATA=

Work Sheet for Printer Function Tags with a Variable and Relative Movement		
Tag	Description	Data
VARCPI	Variable characters per inch	VAROFFSET= VARLEN= VARTYPE= VARMAX= ADJUST= CNVNUM= CNVDEN= DATA=
VARLSPC	Variable line spacing	VAROFFSET= VARLEN= VARTYPE= VARMAX= ADJUST= CNVNUM= CNVDEN= DATA=

Work Sheet for Other Printer Function Tags		
Tag	Description	Data
ASCICTL	ASCII control code mapping	ASCII= DATA=
COLLATE	Collate width	DATA=
CPI	Set characters per inch	CPI= DATA=
CPI	Set characters per inch	CPI= DATA=
CPI	Set characters per inch	CPI= DATA=
CPI	Set characters per inch	CPI= DATA=
DFTFNTID	Default font ID	CPI= DEFAULT=
DWRSLT	Drawer selection	DRAWER= DATA=
EFNTMAP	End font ID mapping	
FNTMAP	Font ID mapping	CPI= DEFAULT=
FNTMAP	Font ID mapping	CPI= DEFAULT=
FNTMAP	Font ID mapping	CPI= DEFAULT=
FNTMAPE	Font mapping table entry	IBMFNT= ASCIIFNT=
FNTMAPE	Font mapping table entry	IBMFNT= ASCIIFNT=
FNTMAPE	Font mapping table entry	IBMFNT= ASCIIFNT=
FNTMAPE	Font mapping table entry	IBMFNT= ASCIIFNT=

Work Sheet for Other Printer Function Tags		
Tag	Description	Data
FNTMAPE	Font mapping table entry	IBMFNT= ASCIIFNT=
FONTQLTY	Font quality	FONTCPI= QLTYTYPE= DATA=
FONTQLTY	Font quality	FONTCPI= QLTYTYPE= DATA=
FONTQLTY	Font quality	FONTCPI= QLTYTYPE= DATA=
MARGIN	Set margin	OPTION= ORIENT= DATA=
MARGIN	Set margin	OPTION= ORIENT= DATA=
MARGIN	Set margin	OPTION= ORIENT= DATA=
MARGIN	Set margin	OPTION= ORIENT= DATA=
PAGLENL	Set page length in lines	VAROFFSET= VARLEN= VARTYPE= VARMAX= ADJUST= DATA=
PAGSIZPFT	Set page size for printer function table	PAGWTH= PAGLEN= PAPER=
PRTFEED	Paper feed	FEEDTYPE= DATA=
PRTORIENT	Paper orientation	ORIENT= DATA=
PRTQLTY	Print quality	QLTYTYPE= DATA=

## Notices

This information was developed for products and services offered in the U.S.A. IBM may not offer the products, services, or features discussed in this document in other countries. Consult your local IBM representative for information on the products and services currently available in your area. Any reference to an IBM product, program, or service is not intended to state or imply that only that IBM product, program, or service may be used. Any functionally equivalent product, program, or service that does not infringe any IBM intellectual property right may be used instead. However, it is the user's responsibility to evaluate and verify the operation of any non-IBM product, program, or service.

IBM may have patents or pending patent applications covering subject matter described in this document. The furnishing of this document does not give you any license to these patents. You can send license inquiries, in writing, to:

IBM Director of Licensing  
IBM Corporation  
500 Columbus Avenue  
Thornwood, NY 10594  
U.S.A.

For license inquiries regarding double-byte (DBCS) information, contact the IBM Intellectual Property Department in your country or send inquiries, in writing, to:

IBM World Trade Asia Corporation  
Licensing  
2-31 Roppongi 3-chome, Minato-ku  
Tokyo 106, Japan

**The following paragraph does not apply to the United Kingdom or any other country where such provisions are inconsistent with local law:**

INTERNATIONAL BUSINESS MACHINES CORPORATION PROVIDES THIS PUBLICATION "AS IS" WITHOUT WARRANTY OF ANY KIND, EITHER EXPRESS OR IMPLIED, INCLUDING, BUT NOT LIMITED TO, THE IMPLIED WARRANTIES OF NON-INFRINGEMENT, MERCHANTABILITY OR FITNESS FOR A PARTICULAR PURPOSE. Some states do not allow disclaimer of express or implied warranties in certain transactions, therefore, this statement may not apply to you.

This information could include technical inaccuracies or typographical errors. Changes are periodically made to the information herein; these changes will be incorporated in new editions of the publication. IBM may make improvements and/or changes in the product(s) and/or the program(s) described in this publication at any time without notice.

Any references in this information to non-IBM Web sites are provided for convenience only and do not in any manner serve as an endorsement of those Web sites. The materials at those Web sites are not part of the materials for this IBM product and use of those Web sites is at your own risk.

Licensees of this program who wish to have information about it for the purpose of enabling: (i) the exchange of information between independently created programs and other programs (including this one) and (ii) the mutual use of the information which has been exchanged, should contact:

IBM Corporation

Software Interoperability Coordinator  
3605 Highway 52 N  
Rochester, MN 55901-7829  
U.S.A.

Such information may be available, subject to appropriate terms and conditions, including in some cases, payment of a fee.

The licensed program described in this information and all licensed material available for it are provided by IBM under terms of the IBM Customer Agreement, IBM International Program License Agreement, or any equivalent agreement between us.

Any performance data contained herein was determined in a controlled environment. Therefore, the results obtained in other operating environments may vary significantly. Some measurements may have been made on development-level systems and there is no guarantee that these measurements will be the same on generally available systems. Furthermore, some measurement may have been estimated through extrapolation. Actual results may vary. Users of this document should verify the applicable data for their specific environment.

Information concerning non-IBM products was obtained from the suppliers of those products, their published announcements or other publicly available sources. IBM has not tested those products and cannot confirm the accuracy of performance, compatibility or any other claims related to non-IBM products. Questions on the capabilities of non-IBM products should be addressed to the suppliers of those products.

All statements regarding IBM's future direction or intent are subject to change or withdrawal without notice, and represent goals and objectives only.

This information is for planning purposes only. The information herein is subject to change before the products described become available.

This information contains examples of data and reports used in daily business operations. To illustrate them as completely as possible, the examples include the names of individuals, companies, brands, and products. All of these names are fictitious and any similarity to the names and addresses used by an actual business enterprise is entirely coincidental.

#### COPYRIGHT LICENSE:

This information contains sample application programs in source language, which illustrates programming techniques on various operating platforms. You may copy, modify, and distribute these sample programs in any form without payment to IBM, for the purposes of developing, using, marketing or distributing application programs conforming to the application programming interface for the operating platform for which the sample programs are written. These examples have not been thoroughly tested under all conditions. IBM, therefore, cannot guarantee or imply reliability, serviceability, or function of these programs. You may copy, modify, and distribute these sample programs in any form without payment to IBM for the purposes of developing, using, marketing, or distributing application programs conforming to IBM's application programming interfaces.

If you are viewing this information softcopy, the photographs and color illustrations may not appear.



---

## Programming Interface Information

This publication is intended to help you to use the Workstation Customization facilities of the IBM OS/400 licensed program. This publication documents General-Use Programming Interface and Associated Guidance Information.

General-Use programming interfaces allow the customer to write programs that obtain the services of OS/400 licensed program.

---

## Trademarks

The following terms are trademarks of International Business Machines Corporation in the United States, or other countries, or both:

AFP  
Advanced Function Printing  
Advanced 36  
Application Development  
Application System/400  
APPN  
AS/400  
AS/400e series  
BookManager  
Client Access  
IBM  
InfoWindow  
Personal System/2  
PS/2  
OfficeVision  
OfficeVision for AS/400  
Operating System/400  
OS/400  
SAA  
400

C-bus is a trademark of Corollary, Inc.

Microsoft, Windows, Windows NT, and the Windows 95 logo are registered trademarks of Microsoft Corporation.

Java and HotJava are trademarks of Sun Microsystems, Inc.

UNIX is a registered trademark in the United States and other countries licensed exclusively through X/Open Company Limited.

PC Direct is a registered trademark of Ziff Communications Company and is used by IBM Corporation under license.

Other company, product, and service names may be trademarks or service marks of others.



---

## Bibliography

This list of tasks related to workstation customizing followed by the AS/400 books that describe them is provided to help you find more information about setting up your displays and ASCII printers.

For more information about general AS/400 system management tasks, see:

*Backup and Recovery*, SC41-5304, provides information about planning a backup and recovery strategy, the different types of media available to save and restore procedures, and disk recovery procedures. It also describes how to install the system again from backup.

*Central Site Distribution*, SC41-5308, provides information about how to create and distribute media containing licensed programs, program temporary fixes (PTFs), and application programs to other systems. This manual is for users who have the Distributed System License Option (DSLO).

*Security - Reference*, SC41-5302, provides information on how system security support can be used. This includes information on how to protect your system and data from being used by other people who do not have the proper authorization, protect the data from intentional or unintentional damage or destruction, keep security information up-to-date, and set up security on your system.

*System Operation*, SC41-4203, provides the system operator or system administrator with information about controlling jobs, sending and receiving messages, responding to error messages, starting and stopping the system, using control devices, and managing your AS/400 operations.

For more information about AS/400 system communications and configuration in general, see:

*APPN Support*, SC41-5407, provides information about AS/400 Advanced Peer-to-Peer Networking (APPN) support. This manual describes the APPN concepts, functions, and features and contains information for configuring an APPN network.

*ISDN Support*, SC41-5403, provides information about configuring and using integrated services digital network (ISDN). This manual gives a conceptual description of

ISDN, as well as a description of the AS/400 implementation of ISDN and X.31 packet mode and circuit mode.

*LAN, Frame-Relay and ATM Support*, SC41-5404, describes the AS/400 support for IBM Token-Ring, Ethernet, distributed data interface (DDI), and wireless local area networks and frame relay wide area networks. This manual includes information about bridged local area networks and the use of frame relay networks for connection to remote local area networks.

*Communications Management*, SC41-5406, contains information on working with communications status, error handling and recovery, performance, specific line speed, and subsystem storage requirements.

*Communications Configuration*, SC41-5401, provides the application programmer with information on configuring line, controller, and device descriptions to communicate within a network. Additional configuration considerations are discussed.

*X.25 Network Support*, SC41-5405, contains information about using an AS/400 system in an X.25 packet-switched network. This manual includes descriptions of various connection methods, diagnostic information, and configuration examples.

For more information about AS/400 national language support, code pages, coded character set identifiers, and character identifiers in general, see:

*Application Display Programming*, SC41-5715, provides information about using DDS to create and maintain displays for applications. This manual also describes creating and working with display files on the system and creating online help information.

*National Language Support*, SC41-5101, provides planning information. Included is information about adding additional licensed programs, adding secondary languages, and changing the primary language of the system.

*Work Management*, SC41-5306, provides the programmer with information about how to effectively manage their system work load by changing work management objects to meet their needs. This manual provides guidelines

| for performance tuning, description of system  
| values, and information on collecting  
| performance data.

| *Character Data Representation Architecture*  
| *Reference*, SC09-1390

| *National Language Support (NLS) Enabling of*  
| *IBM AS/400 Applications* , GG24-3807

For more information about setting up and using  
twinaxial or ASCII workstations with the AS/400  
system, see:

| *ASCII Work Station Reference*, SA41-3130

| *Remote Work Station Support*, SC41-5402,  
| provides information about setting up and  
| using remote work station support, such as  
| display station pass-through, distributed host  
| command facility, SNA pass-through, network  
| routing facility, SNA primary LU2 support, and  
| 3270 remote attachment.

| *IBM InfoWindow 3477 User's Guide*,  
| GA18-2923

| *Port Tester Use*, SA41-3136, provides  
| information about using the IBM workstation

controller port tester to help isolate cabling and  
port problems on the AS/400 system.

For more information about setting up and using  
ASCII printers with an AS/400 system, see:

*Additional Information for IBM InfoWindow*  
*3477*, GA18-7084

*Printer Device Programming*, SC41-5713,  
provides information to help you understand  
and control printing. This includes information  
on printing elements and concepts of the  
AS/400 system, printer file, and printer  
connectivity.

*PrintManager API Reference*, S544-3699,  
provides information the user needs to create  
and maintain print descriptions that are used  
by the PrintManager interface.

*SAA CPI PrintManager Reference*, S544-3698,  
provides information the user needs to develop  
AS/400-based print applications that will use  
spooling support for print options and data.

---

# Index

## Special Characters

- (DWRNBR) tag, paper drawer number 181
- \*HEX value 12, 13
- (PRTANGLE), print angle 155
- (TEXTLENL), set text length in lines 179
- (TEXTLENL), text length in lines 159

## Numerics

- 122-key data entry keyboard
  - layout 308
  - scan codes 45
- 132-column support for ASCII displays 116
- 3151 ASCII display example 321
- 3477 twinaxial display with attached ASCII printer example 311
- 4019 ASCII printer example 334
- 4029 ASCII printer example 328
- 5250 data entry keyboard
  - layout 307, 308
  - scan codes 43

## A

- ACS (set ASCII character set) command 108
- activities index to publications 399
- additional ASCII code pages, supporting 187
- address mode (ADDRMOD) parameter 100
- ADDRMOD (address mode) parameter 100
- ADJHRZORG (adjust horizontal origin) tag
  - printers that use emulator on display 222
- adjust horizontal origin (ADJHRZORG) tag
  - printers that use emulator on display 222
- adjust vertical origin (ADJVERORG) tag
  - printers that use emulator on display 222
- ADJVERORG (adjust vertical origin) tag
  - printers that use emulator on display 222
- ALARM (sound alarm) command 107
- Analyze Problem (ANZPRB) command 30
- analyzing
  - problem 30
- angle (PRTANGLE), print 155
- ANZPRB (Analyze Problem) command 30
- APAR (authorized program analysis report)
  - creating 31
- ASCCPINFO (ASCII code page information) tag
  - printers that use host print transform function 188
- ASCII
  - character code to hexadecimal value chart 367
  - command sequence 17, 79
  - control codes 79
- ASCII code page information
  - (ASCCPINFO) tag, for printers that use host print transform function 188
- ASCII code pages, supporting additional 187
- ASCII control code mapping (ASCICTL) tag
  - printers that use emulator on workstation controller 254

- ASCII control code mapping (ASCICTL) tag
  - (continued)
    - printers that use host print transform function 188
- ASCII display
  - character sets 78
  - code page 78
  - command sequence 80
  - commands for screen support, unsupported displays 90
  - control code 80
  - customizing
    - example 125
    - overview 73
    - planning 7
    - restrictions 90
    - setting up 369
    - unsupported 74
  - determining mapping tables to customize 92
  - inbound processing 84, 93
  - keyboard operation 80
  - language structure 93
  - list of mapping tables 37
  - list of supported 36
  - mapping graphic character data 86
  - mapping local display functions 87
  - mapping table
    - ASCII-to-EBCDIC entry format 123
    - ASCII-to-EBCDIC mapping table 37, 86
    - ASCII to keyboard function 87, 119
    - control character 87
    - control sequence 87
    - display processing 84
    - EBCDIC-to-ASCII mapping table 89, 117
    - entry format 117
    - keyboard function 85
    - keyboard function entry format 119
    - list of 77, 92
    - overview 84, 89
    - update screen table 37
  - mapping twinaxial display function key requests 87
  - outbound processing 93, 95
  - planning work sheet 376
  - port sharing 92
  - restrictions 90
  - retrieving source 13
  - screen refresh function 87
  - setting state for inbound processing 88
  - source structure 93
  - tag
    - keyboard 119
    - update screen table 104
  - terminal disconnect function 87
  - toggle display indicators 88
  - update screen table
    - 132-column support 116
    - binary value addressing format 101
    - decimal numeric character addressing format 100

- ASCII display (*continued*)
  - update screen table (*continued*)
    - description 89
    - entry format 95
    - insert cursor command 110
    - set cursor address command 106
    - set graphic character set command 109
    - set national language character set 109
    - start and end printer data bypass 110
    - tags 104
- ASCII printer
  - attached to twinaxial display
    - customizing 205
    - customizing example 227
    - customizing limitations 141
    - preparation to customize, using the host print transform function 145
    - source structure 207
    - tag language, for printers that use emulator on display 208
    - tag language, using the host print transform function 147
    - unsupported 206
  - command sequence 80
  - control code 80
  - customizing
    - determining which tables to customize 207
    - determining which transform table to customize 147
    - planning 7
  - customizing example
    - printers that use host print transform function 201
  - default EBCDIC-to-ASCII mapping table 241
  - definition table 207
  - directly attached
    - customizing example 266
    - customizing overview 237
    - customizing unsupported 237
    - source structure 244
    - supported 237
    - tag language 244, 262
  - function table 241
  - host print transform function
    - customizing 145
  - mapping table
    - default printer EBCDIC-to-ASCII 239
    - determining which to customize 243
    - overview 142
    - overview, printers that use emulator on display 206
    - overview, printers that use emulator on workstation controller 239
    - overview, printers that use host print transform function 146
  - multilanguage EBCDIC-to-ASCII mapping table (PMLGMAPTBL) 241
  - planning work sheet
    - host print transform function 379
    - uses display's emulator 386
    - uses workstation controller's emulator 389

- ASCII printer (*continued*)
  - retrieving source 13
  - supported
    - attached to twinaxial display 205
    - directly attached 237
  - tag
    - language description, printers that use emulator on display 207
    - language description, printers that use emulator on workstation controller 246
- ASCII printer definition table (PDFNTBL) tag
  - printers that use emulator on display 208
- ASCII printer function table (PFCNTBL) tag
  - printers that use emulator on workstation controller 247
- ASCII-to-EBCDIC mapping table (DASCTBL) tag 123
- ASCII to keyboard function mapping table (DKBDTBL) tag 119
- ASCII workstation controller
  - functional overview 75
  - local display functions 87
  - preparing for workstation customizing 6
  - screen refresh function 87
  - terminal disconnect function 87
  - toggle display indicators 88
  - twinaxial device emulation 77
- ASCICTL (ASCII control code mapping) tag
  - printers that use emulator on workstation controller 254
  - printers that use host print transform function 188
- ATRCMD (attribute command) tag 111
- attribute command (ATRCMD) tag 111
- authorized program analysis report (APAR)
  - creating 31
- automatic scrolling (AUTOSCL) parameter 104
- AUTOSCL (automatic scrolling) parameter 104

## B

- backspace (BSP) tag
  - printers that use emulator on display 211
  - printers that use emulator on workstation controller 250
  - printers that use host print transform function 162
- backward relative movement (BCKRMOV) tag
  - printers that use emulator on display 209
  - printers that use emulator on workstation controller 253
- BCKRMOV (backward relative movement) tag
  - printers that use emulator on display 209
  - printers that use emulator on workstation controller 253
- BELL (bell) tag
  - printers that use emulator on display 211
  - printers that use emulator on workstation controller 250
- bell (BELL) tag
  - printers that use emulator on workstation controller 250
- BELL (bell) tag
  - printers that use host print transform function 153
- bibliography 399

- books, related 399
  - communications planning 399
  - general 399
  - network planning 399
  - printer 400
  - workstation 400
- BSP (backspace) tag
  - printers that use emulator on display 211
  - printers that use emulator on workstation controller 250
  - printers that use host print transform function 162
- byte format
  - scan code 42

## C

- carrier return (CARRTN) tag
  - printers that use emulator on display 212
  - printers that use emulator on workstation controller 250
  - printers that use host print transform function 153
- CARRTN (carrier return) tag
  - printers that use emulator on display 212
  - printers that use emulator on workstation controller 250
  - printers that use host print transform function 153
- CCSID (coded character set identifier) 5
- Change Device Description (Display) (CHGDEV DSP)
  - command 27
- Change Device Description (Printer) (CHGDEV PRT)
  - command 27
- changing
  - ASCII character value 37
  - device description
    - display 27
    - printer 27
  - device type (DEVTYPE) parameter 35
  - EBCDIC character value 37
  - hexadecimal values 37
  - source
    - recovery from errors 21
  - source entries for incorrect scan codes 61
  - source to customize workstations 17
  - translation table entries 54
- character-based highlighting 98
- character code to hexadecimal value chart
  - ASCII 367
  - EBCDIC 367
- character constant
  - definition 20
- characters per inch (CPI) tag
  - printers that use emulator on display 212, 223
  - printers that use emulator on workstation controller 255
  - printers that use host print transform function 163
- characters per inch in COR mode (CPICOR) tag
  - printers that use emulator on display 223
  - printers that use host print transform function 163
- CHARATR (highlighting support) parameter 96
- chart
  - ASCII character code to hexadecimal value 367
  - chart (*continued*)
    - EBCDIC character code to hexadecimal value 367
  - CHGDEV DSP (Change Device Description (Display))
    - command 27
  - CHGDEV PRT (Change Device Description (Printer))
    - command 27
  - clear screen (CLRSCN) command 106
  - CLRSCN (clear screen) command 106
  - code page
    - ASCII workstation 78
    - EBCDIC standards 47
  - code page (CODEPAGE) tag
    - printers that use host print transform function 188
  - code page information
    - ASCII printer
      - ASCCPINFO, for printers that use host print transform function 188
    - ASCII printers that use host print transform function
      - DFTASCCP 189
      - EASCCPINFO 189
      - overriding EBCDIC 189
  - code page support, customizing 184
  - code pages, supporting additional ASCII 187
  - coded character set identifier (CCSID) 5
  - CODEPAGE (code page) tag
    - printers that use host print transform function 188
  - CODEPAGE (set code page) tag
    - printers that use emulator on display 212
  - codes
    - twinaxial keyboard scan 42
  - CODPAGVAR (set code page) tag
    - printers that use emulator on workstation controller 252
  - COLLATE (collate width) tag
    - printers that use emulator on workstation controller 255
  - collate width (COLLATE) tag
    - printers that use emulator on workstation controller 255
  - color
    - customizing 174
  - command
    - (ALARM) sound alarm 107
    - ACS (set ASCII character set) 108
    - ATRCMD (attribute) 111
    - attribute (ATRCMD) 111
    - clear screen (CLRSCN) 106
    - CLRSCN (clear screen) 106
    - CSRADR (set cursor address) 106
    - CSROFF (set cursor display off) 110
    - CSRON (set cursor display on) 110
    - display setup 108
    - end printer data bypass (ENDBYP) 110
    - ENDBYP (end printer data bypass) 110
    - extended set cursor address (XCSRADR) 114
    - for unsupported ASCII displays 90
    - GCS (set graphic character set) 109
    - INSCSR (insert cursor) 110
    - insert cursor (INSCSR) 110
    - NLCS (set national language character set) 109
    - parameters matching 373



- command (*continued*)
  - set ASCII character set (ACS) 108
  - set cursor address (CSRADR) 106
  - set cursor display off (CSROFF) 110
  - set cursor display ON (CSRON) 110
  - set graphic character set (GCS) 109
  - set national language character set (NLCS) 109
  - sound alarm (ALARM) 107
  - STRBYP (start printer data bypass) 110
- command, CL
  - Analyze Problem (ANZPRB) 30
  - ANZPRB (Analyze Problem) 30
  - Change Device Description (Display) (CHGDEVDS) 27
  - Change Device Description (Printer) (CHGDEVPR) 27
  - CHGDEVDS (Change Device Description (Display)) 27
  - CHGDEVPR (Change Device Description (Printer)) 27
  - Create Authorized Program Analysis Report (CRTAPAR) 31
  - Create Work Station Customizing Object (CRTWSCST) 5, 23
  - CRTAPAR (Create Authorized Program Analysis Report) 31
  - CRTWSCST (Create Work Station Customizing Object) 5, 23
  - Delete Work Station Customizing Object (DLTWSCST) 5
  - Display File Description (DSPFD) 22
  - Display Job Log (DSPJOBLOG) 21
  - Display Library (DSPLIB) 21
  - DLTWSCST (Delete Work Station Customizing Object) 5
  - DSPFD (Display File Description) 22
  - DSPJOBLOG (Display Job Log) 21
  - DSPLIB (Display Library) 21
  - Grant Object Authority (GRTOBJAUT) 25
  - GRTOBJAUT (Grant Object Authority) 25
  - Restore Object (RSTOBJ) 30
  - Retrieve Work Station Customizing Object Source (RTVWSCST) 5
  - RSTOBJ (Restore Object) 30
  - RTVWSCST (Retrieve Work Station Customizing Object Source) 5
  - Start Printer Writer (STRPRTWTR) 28
  - STRPRTWTR (Start Printer Writer) 28
  - Vary Configuration (VRYCFG) 27
  - VRYCFG (Vary Configuration) 27
  - Work with Configuration Status (WRKCFGSTS) 28
  - WRKCFGSTS (Work with Configuration Status) 28
- command sequence 80
- comments in tag language source 20
- completing
  - source changes 22
- configuration
  - varying on 27
  - working with status 28
- control code
  - ASCII device
    - hexadecimal value 80
  - definition 17
- control sequence
  - definition 17
  - example 81
- controller
  - ASCII
    - functional overview 75
    - local display functions 87
    - screen refresh function 87
    - terminal disconnect function 87
    - toggle display indicators 88
    - twinaxial device emulation 77
  - twinaxial
    - keyboard translation table specifications 51
    - working with the keyboard translation table 41
  - workstation
    - preparing for customizing 6
- country requirements
  - ASCII display 78
  - twinaxial display 47
- CPI (set characters per inch) tag
  - printers that use emulator on display 212, 223
  - printers that use emulator on workstation controller 255
  - printers that use host print transform function 163
- CPICOR (set characters per inch in COR mode) tag
  - printers that use emulator on display 223
  - printers that use host print transform function 163
- Create Authorized Program Analysis Report (CRTAPAR)
  - command 31
- Create Work Station Customizing Object (CRTWSCST)
  - command 5, 23
- creating
  - APAR (authorized program analysis report) 31
  - authorized program analysis report (APAR) 31
  - customizing object 23, 24
  - errors and recovery 24
  - workstation customizing object 5, 23
- creating the workstation customizing object 200
- CRTAPAR (Create Authorized Program Analysis Report)
  - command 31
- CRTWSCST (Create Work Station Customizing Object)
  - command 5, 23
- CSRADR (set cursor address) tag 106
- CSROFF (set cursor display off) command 110
- CSRON (set cursor display on) command 110
- cursor address (CSRADR) tag 106
- cursor address tag, extended (XCSRADR) 114
- customization schedule, planning the 148
- customizing
  - ASCII display 73
    - determining mapping tables 92
    - outbound processing 95
    - restrictions 90
    - setting up 369
  - ASCII printer, attached to twinaxial display
    - limitations 141



- customizing (*continued*)
  - ASCII printer, directly attached
    - programming considerations 237
    - tag language 262
    - unsupported 237
  - ASCII printer attached to twinaxial display
    - determining which tables 207
    - programming considerations 205
    - unsupported 206
  - ASCII printer preparation
    - printers that use host print transform function 145
  - ASCII printers that use host print transform function
    - determining which tables 147
    - programming considerations 145
    - unsupported 146
  - color 174
  - determining whether customizable 135
  - determining which ASCII printer table 243
  - display 7
    - determining whether customizable 35
    - overview 35
    - work sheet for planning 374
  - example
    - 3477 Model H twinaxial display for diacritic characters 68
    - DEC VT-320 display in VT-300 mode 125
    - directly attached Hewlett-Packard LaserJet Series III 266
    - Hewlett-Packard LaserJet 4 201
    - Hewlett-Packard LaserJet Series IIP attached to 3477 twinaxial display 227
  - limitations 3
  - object 18, 23
  - overview 3
  - planning 7
  - planning work sheets 373
  - preparing for 5, 7
  - printer 135
    - work sheet for planning 385
    - work sheet for planning, for a printer that uses host print transform function 379
  - printer function
    - choosing a method 138
  - printers that use host print transform function
    - EBCDIC-to-ASCII mapping table 185
  - restrictions
    - twinaxial display 48
  - structure 18
  - tag language 20
  - twinaxial display
    - keyboard layouts 307
    - programming considerations 39
    - setting up 3477 371
    - using the tags 62
    - unsupported ASCII display 74
  - customizing code page support 184
  - customizing fax support 189
  - customizing fonts
    - printers that use host print transform function 180
  - customizing horizontal character spacing
    - printers that use host print transform function 162
  - customizing object
    - creating 23
    - deleting 5, 25
    - testing 27
    - verifying object is created 25
  - customizing object, creating the workstation 200
  - customizing object, deleting the workstation 200
  - customizing object, specifying the workstation 200
  - customizing page length
    - printers that use host print transform function 157
  - customizing paper input 174
  - customizing paper output 176
  - customizing paper size 156, 164
  - customizing print media size 155
  - customizing printer information 149
  - customizing source, retrieving the workstation 146
  - customizing vertical line spacing
    - printers that use host print transform function 171

## D

- DASCTBL (ASCII-to-EBCDIC mapping table) tag 123
- data entry keyboard
  - 122-key layout 308
  - 5250 layout 307
- data stream, printer
  - EPSON 150
  - HPPCL4 150
  - HPPCL4I 150
  - HPPCL5I 150
- DBCS
  - considerations
    - tag language, using the host print transform function 191
- DBCS tag
  - RASTERMODE (Raster mode) 150
- DEBCTBL (EBCDIC-to-ASCII mapping table) tag 117
- decimal numeric character addressing format 100
- default ASCII code page (DFTASCCP) tag
  - printers that use host print transform function 189
- default EBCDIC-to-ASCII mapping table
  - ASCII printer 239
  - printers that use emulator on workstation controller
    - PDFTEBCTBL tag 246
    - PDFTMAPTBL tag 246
- default font ID (DFTFNTID) tag
  - printers that use emulator on workstation controller 256
- Delete Work Station Customizing Object (DLTWSCST)
  - command 5
- deleting
  - customizing object 5, 25
- deleting the workstation customizing object 200
- delimiter for tag identifier 20
- determining
  - ASCII printer transform table to customize 147
  - hexadecimal value for tag 21
  - which ASCII printer tables to customize 207, 243

- device
  - supported
    - retrieving source 11
  - unsupported
    - retrieving source 13
  - varying on 27
- device description
  - character identifier 4
  - display
    - changing 27
  - keyboard language type 4
  - printer
    - changing 27
- DFTASCCP (default ASCII code page) tag
  - printers that use host print transform function 189
- DFTFNTID (default font ID) tag
  - printers that use emulator on workstation controller 256
- diacritic characters
  - definition 56
  - entry format 56
  - twinaxial scan codes 56
- display
  - ASCII 89
    - ASCII-to-EBCDIC mapping table 37, 86
    - ASCII-to-EBCDIC mapping table format 123
    - ASCII to keyboard function mapping table 37, 87
    - binary value addressing format 101
    - character sets 78
    - code pages 78
    - command sequence 79
    - commands for unsupported displays 90
    - control character 87
    - control codes 79
    - control sequence 87
    - customizing overview 73
    - customizing restrictions 90
    - customizing unsupported 74
    - decimal numeric character addressing format 100
    - determining mapping tables to customize 92
    - EBCDIC-to-ASCII mapping table 37, 89
    - entry format 119
    - inbound and outbound processing 84
    - keyboard function mapping table 119
    - keyboard mapping table 85
    - keyboard operation 80
    - keyboard tags 119
    - list of mapping tables 37
    - list of supported 36
    - mapping graphic character data 86
    - mapping local display functions 87
    - mapping table, inbound and outbound processing 84
    - mapping tables, list of 92
    - mapping twinaxial function key requests 87
    - planning work sheet 376
    - port sharing 92
    - screen refresh function 87
    - setting state for inbound data processing 88
    - setting up to customize 369
  - display (*continued*)
    - ASCII (*continued*)
      - source structure 93
      - tag language 20
      - terminal disconnect function 87
      - toggle display indicators 88
      - update screen table 37, 89
      - update screen tags 104
    - customizing overview 35
    - determining whether customizable 35
    - mapping table
      - 132-column support 116
      - ASCII to EBCDIC entry format 95
      - EBCDIC-to-ASCII entry format 117
      - set cursor address command 106
      - set graphic character set command 109
      - start and end printer data bypass 110
      - update screen table, insert cursor command 110
      - update screen table, set national language character set 109
      - update screen table entry format 95
    - mapping tables, overview
      - ASCII display screen 89
    - preparing for customizing 7
    - twinaxial
      - code page standards 47
      - customizing a 3477 Model H twinaxial display for
        - diacritic characters 68
        - customizing overview 39
        - customizing restrictions 48
        - diacritic character entry format 56
        - keyboard layouts 307
        - language requirements 47
        - list of supported 36
        - planning work sheet 375
        - restrictions 62
        - setting up to customize 3477 371
        - source structure 62
        - tag language 20
        - using the tags to customize 62
      - work sheet for planning customization 374
  - Display File Description (DSPFD) command 22
  - Display Job Log (DSPJOBLOG) command 21
  - Display Library (DSPLIB) command 21
  - display setup commands 108
  - displaying
    - file description 22
    - job log 21
    - library 21
  - DKBDTBL (ASCII to keyboard function mapping table) tag 119
  - DLTWSCST (Delete Work Station Customizing Object) command 5
  - double character height
    - printers that use emulator on display 213
  - drawer selection (DWRSLT) tag
    - printers that use emulator on display 213
    - printers that use emulator on workstation controller 256
    - printers that use host print transform function 174
  - DSCNTBL (update screen table) tag 95

DSPFD (Display File Description) command 22  
 DSPJOBLOG (Display Job Log) command 21  
 DSPLIB (Display Library) command 21  
 duplex printing  
   printers that use emulator on display 224  
   printers that use host print transform function 178  
 DWRNBR (paper drawer number selection) tag  
   printers that use host print transform function 175  
 DWRSLT (drawer selection) tag  
   printers that use emulator on display 213  
   printers that use emulator on workstation controller 256  
   printers that use host print transform function 174

## E

EASCCPINFO (end ASCII code age information) tag  
   printers that use host print transform function 189  
 EBCASCTBL (EBCDIC-to-ASCII mapping table) tag  
   printers that use host print transform function 186  
 EBCASCTBLE (EBCDIC-to-ASCII mapping table entry) tag  
   printers that use host print transform function 186  
 EBCDIC character code to hexadecimal value chart 367  
 EBCDIC code page standards  
   twinaxial display 47  
 EBCDIC-to-ASCII mapping table  
   ASCII printer 239  
   EBCASCTBL tag, for printers that use host print transform function 186  
   printer multilanguage 241  
 EBCDIC-to-ASCII mapping table (DEBCTBL) tag 117  
 EBCDIC-to-ASCII mapping table (EPMLGMAPTBL) tag, end multilanguage  
   printers that use emulator on workstation controller 248  
 EBCDIC-to-ASCII mapping table (PDFTEBCTBL) tag, default  
   printers that use emulator on workstation controller 246  
 EBCDIC-to-ASCII mapping table (PDFTMAPTBL) tag, default  
   printers that use emulator on workstation controller 246  
 EBCDIC-to-ASCII mapping table (PMLGEBCTBL) tag  
   printers that use emulator on workstation controller 248  
 EBCDIC-to-ASCII mapping table (PMLGMAPTBL) tag, multilanguage  
   printers that use emulator on workstation controller 247  
 EBCDIC-to-ASCII mapping table end (EEBCASCTBL) tag  
   printers that use host print transform function 187  
 EBCDIC-to-ASCII mapping table entry (EBCASCTBLE) tag  
   printers that use host print transform function 186  
 EBCDIC-to-ASCII mapping tables  
   printers that use host print transform function 185  
 EEBCASCTBL (end EBCDIC-to-ASCII mapping table) tag  
   printers that use host print transform function 187  
 EENVSIZXFM (end envelope size) tag  
   printers that use host print transform function 156  
 EFAXSIZXFM (end fax size) tag  
   printers that use host print transform function 190  
 EFNTGPDT (end global fonts for printer definition table) tag  
   printers that use emulator on display 214  
 EFNTGRP (end font group) tag  
   printers that use host print transform function 182  
 EFNTMAP (end font ID mapping) tag  
   printers that use emulator on workstation controller 258  
 EINDFNT (end individual font) tag  
   printers that use host print transform function 183  
 end ASCII code page information (EASCCPINFO) tag  
   printers that use host print transform function 189  
 end bold highlighting (ENDBOLD) tag  
   printers that use emulator on workstation controller 250  
 end bold printing  
   printers that use emulator on display 211  
   printers that use host print transform function 161  
 end default EBCDIC-to-ASCII mapping table (EPDFTMAPTBL) tag  
   printers that use emulator on workstation controller 246  
 end double-wide continuous  
   printers that use emulator on display 213  
 end EBCDIC-to-ASCII mapping table (EEBCASCTBL) tag  
   printers that use host print transform function 187  
 end envelope size (EENVSIZXFM) tag  
   printers that use host print transform function 156  
 end fax size (EFAXSIZXFM) tag  
   printers that use host print transform function 190  
 end font group (EFNTGRP) tag  
   printers that use host print transform function 182  
 end font ID mapping (EFNTMAP) tag  
   printers that use emulator on workstation controller 258  
 end global fonts for printer definition table (EFNTGPDT) tag  
   printers that use emulator on display 214  
 end individual font (EINDFNT) tag  
   printers that use host print transform function 183  
 end multilanguage EBCDIC-to-ASCII mapping table (EPMLGMAPTBL) tag  
   printers that use emulator on workstation controller 248  
 end page size (EPAGSIZXFM) tag  
   printers that use host print transform function 157  
 end printer data bypass (ENDBYP) command 110  
 end subscript (ENDSUBS) tag  
   printers that use emulator on workstation controller 250  
 end superscript (ENDSUPS) tag  
   printers that use emulator on workstation controller 250

end translation printer definition table (ETRNEBCDIC) tag  
 printers that use emulator on display 221

end underscore  
 printers that use emulator on display 221  
 printers that use host print transform function 162

end underscore (ENDUS) tag  
 printers that use emulator on workstation controller 250

end workstation object (EWSCST) tag 18

ENDBOLD (end bold highlighting) tag  
 printers that use emulator on workstation controller 250

ENDBYP (end printer data bypass) command 110

ending delimiter  
 for tag identifier 20

ENDSUBS (end subscript) tag  
 printers that use emulator on workstation controller 250

ENDSUPS (end superscript) tag  
 printers that use emulator on workstation controller 250

ENDUS (end underscore) tag  
 printers that use emulator on workstation controller 250

enhanced keyboard  
 layout 309  
 scan codes 44

enhanced keyboard scan codes 43

entry format  
 translation table  
 blank keys and unassigned scan codes 57  
 diacritic characters 56  
 EBCDIC character translations 54  
 function keys 58  
 proof space character 58

envelope size (ENVSIZXFM) tag  
 printers that use host print transform function 156

envelope size entry (ENVSIZE) tag  
 printers that use host print transform function 156

ENVSIZE (envelope size entry) tag  
 printers that use host print transform function 156

ENVSIZXFM (set envelope size) tag  
 printers that use host print transform function 156

EPAGSIZXFM (end page size for host print transform function) tag  
 EPAGSIZXFM (end page size for host print transform function) 157

EPDFTMAPTBL (end default EBCDIC-to-ASCII mapping table) tag  
 printers that use emulator on workstation controller 246

EPMLGMAPTBL (end multilanguage EBCDIC-to-ASCII mapping table) tag  
 printers that use emulator on workstation controller 248

EPSON 150

errors and recovery  
 changing the customizing source 21  
 creating the customizing object 24  
 planning 9

errors and recovery (*continued*)  
 retrieving the source 14  
 varying on device 30  
 varying on the customized device 28

escape sequence  
 definition 17  
 example 81

ETRNEBCDIC (end translation printer definition table) tag  
 printers that use emulator on display 221

EWSCST (end workstation object) tag 18

example  
 3151 ASCII display character codes and code sequences 80  
 customizing 3477 Model H twinaxial display for diacritic characters 68  
 customizing DEC VT-320 display in VT-300 mode 125  
 customizing directly attached Hewlett-Packard LaserJet Series III printer 266  
 customizing Hewlett-Packard LaserJet Series IIP printer attached to 3477 twinaxial display 227  
 printers that use host print transform function  
 customizing Hewlett-Packard LaserJet 4 printer 201  
 workstation customizing source code  
 3151 ASCII display 321  
 3477 twinaxial display with attached ASCII printer 311  
 4019 ASCII printer 334  
 4029 ASCII printer 328  
 HP4 ASCII printer 359

extended set cursor address (XCSRADR) tag 114

extended set cursor address command 114

## F

fax size entry (FAXSIZE) tag  
 printers that use host print transform function 190

fax size transform (FAXSIZXFM) tag  
 printers that use host print transform function 190

fax size transform(FAXSIZXFM) tag  
 printers that use host print transform function 190

fax support, customizing 189

FAXSIZE (fax size entry) tag  
 printers that use host print transform function 190

FAXSIZXFM (fax size transform) tag  
 printers that use host print transform function 190

field-based highlighting 96

file description  
 displaying 22

FKEY (function key) tag 122

FNTGPDT (global fonts for printer definition table) tag  
 printers that use emulator on display 214

FNTGPFT (set global font for PFT) tag  
 printers that use emulator on workstation controller 250

FNTGRNG (global font range) tag  
 printers that use emulator on display 214

FNTGRP (font group) tag  
 printers that use host print transform function 181

FNTGRPE (font group entry) tag  
 printers that use host print transform function 181

- FNTMAP (font ID mapping) tag
  - printers that use emulator on workstation controller 257
- FNTMAPE (font mapping table entry tag)
  - printers that use emulator on workstation controller 258
- FNTTYPE (font type) tag
  - printers that use emulator on workstation controller 252
- font group (FNTGRP) tag
  - printers that use host print transform function 181
- font group entry (FNTGRPE) tag
  - printers that use host print transform function 181
- font groups 182
- font ID, default (DFTFNTID) tag
  - printers that use emulator on workstation controller 256
- font ID mapping (FNTMAP) tag
  - printers that use emulator on workstation controller 257
- font mapping table entry (FNTMAPE) tag
  - printers that use emulator on workstation controller 258
- font quality (FONTQLTY) tag
  - printers that use emulator on workstation controller 258
- font selection tags
  - printers that use emulator on workstation controller 264
- font type (FNTTYPE) tag
  - printers that use emulator on workstation controller 252
- font width mapping table (PFNTWTH) tag
  - printers that use emulator on workstation controller 247
- FONTQLTY (font quality) tag
  - printers that use emulator on workstation controller 258
- fonts, customizing
  - printers that use host print transform function 180
- FOREGRND (foreground color) tag
  - printers that use emulator on display 215
  - printers that use host print transform function 174
- foreground color (FOREGRND) tag
  - printers that use emulator on display 215
  - printers that use host print transform function 174
- form feed
  - printers that use emulator on display 215
  - printers that use host print transform function 168
- form feed (FORMFEED) tag
  - printers that use emulator on workstation controller 250
- format 117
  - mapping table
    - ASCII-to-EBCDIC entry format 123
    - EBCDIC-to-ASCII entry format 117
  - scan code byte 42
  - translation table entry
    - blank keys and unassigned scan codes 57
    - diacritic characters 56
    - EBCDIC character translations 54

- format (*continued*)
  - translation table entry (*continued*)
    - function key 58
    - proof space character 58
  - update screen table
    - binary value addressing format 101
    - decimal numeric character addressing 100
    - entry format 95
    - insert cursor command 110
    - set cursor address command 106
    - set graphic character set command 109
    - set national language character set 109
    - start and end printer data bypass 110
- FORMFEED (form feed) tag
  - printers that use emulator on workstation controller 250
- forward relative movement (FWDRMOV) tag
  - printers that use emulator on display 209
  - printers that use emulator on workstation controller 253
- function key (FKEY) tag 122
- FWDRMOV (forward relative movement) tag
  - printers that use emulator on display 209
  - printers that use emulator on workstation controller 253

## G

- gathering source materials 145
- GCS (set graphic character set) command 109
- global font range (FNTGRNG) tag
  - printers that use emulator on display 214
- global fonts for printer definition table (FNTGPDT) tag
  - printers that use emulator on display 214
- Grant Object Authority (GRTOBJAUT) command 25
- granting
  - object authority 25
- graphic character data mapping for ASCII display 86
- graphics end (RASEND) tag, raster 154
- groups, font 182
- GRTOBJAUT (Grant Object Authority) command 25

## H

- half line feed
  - printers that use emulator on display 224
  - printers that use host print transform function 168
- hexadecimal value
  - allowable length for tag identifier 20
  - changing 37
  - chart
    - ASCII character to hexadecimal value 367
    - EBCDIC character to hexadecimal value 367
  - definition 21
  - finding 21
- highlighting support parameter (CHARATR) 96
- highlighting text functions
  - printers that use host print transform function 161
- horizontal character spacing
  - printers that use host print transform function 162
- horizontal origin (ADJHRZORG) tag
  - printers that use emulator on display 222



- horizontal relative movement (HORRMOV) tag
  - printers that use host print transform function 165
- horizontal spacing
  - printers that use host print transform function 162
- HORRMOV (horizontal relative movement) tag
  - printers that use host print transform function 165
- host print transform function
  - backspacing function 162
  - bell function 153
  - carrier return function 153
  - customizing an ASCII printer 145
  - customizing highlighting 161
  - duplex printing function 178
  - EFNTGRP (end font group) tag 182
  - EINDFNT (end individual font) tag 183
  - end bold printing function 161
  - end font group (EFNTGRP) tag 182
  - end individual font (EINDFNT) tag 183
  - end page size (EPAGSIZXFM) tag 157
  - end subscript functions 173
  - end superscript functions 173
  - end underscore function 162
  - EPAGSIZXFM (end page size) tag 157
  - FNTGRP (font group) tag 181
  - FNTGRPE (font group entry) tag 181
  - font group (FNTGRP) tag 181
  - font group entry (FNTGRPE) tag 181
  - FOREGRND (foreground color) tag 174
  - foreground color (FOREGRND) tag 174
  - form feed function 168
  - half line feed function 168
  - highlighting 161
  - horizontal spacing functions 162
  - indexing functions 173
  - INDFNT (individual font) tag 182
  - INDFNTE (individual font entry) tag 182
  - individual font (INDFNT) tag 182
  - individual font entry (INDFNTE) tag 182
  - initializing printer function 153
  - jog output tray function 177
  - line feed function 168
  - lines per inch (LPI) tag 171
  - LPI (set lines per inch) tag 171
  - page length in lines (PAGLENL) tag 158
  - page size (PAGSIZXFM) tag 157
  - page size entry (PAGSIZE) tag 157
  - PAGLENL (page length in lines) tag 158
  - PAGSIZE (page size entry) tag 157
  - PAGSIZXFM (page size) tag 157
  - paper orientation (PRTORIENT) tag 179
  - print quality (PRTQLTY) tag 180
  - printer control functions 153
  - printer data stream (PRTDTASTRM) tag 149
  - printers that use host print transform function
    - reset printer (RESETPRT) tag, using host print transform function 154
    - RESETPRT (reset printer) tag, using host print transform function 154
  - proportional space function 167
  - PRTDTASTRM (printer data stream) tag 149
  - PRTORIENT (paper orientation) tag 179

- host print transform function *(continued)*
  - PRTQLTY (print quality) tag 180
  - reverse half line feed function 171
  - reverse line feed function 171
  - select next side printing in duplex 178
  - set lines per inch (LPI) tag 171
  - set tumble duplex printing 178
  - setting simplex printing 178
  - simplex printing, setting 178
  - space function 167
  - start bold printing functions 161
  - start subscript functions 173
  - start superscript functions 173
  - start underscore functions 162
  - vertical movement functions 167
- HP4 ASCII printer example 359
- HPPCL4 150
- HPPCL4I 150
- HPPCL5I 150
- I**
  - IBMPPDS3 150
  - IBMPPDS3I 150
  - IBMPPDS4 150
  - IBMPPDS4I 150
  - inbound processing
    - description 84
    - setting the state 88
  - indexing functions
    - printers that use host print transform function 173
  - INDFNT (individual font) tag
    - printers that use host print transform function 182
  - INDFNTE (individual font entry) tag
    - printers that use host print transform function 182
  - individual font (INDFNT) tag
    - printers that use host print transform function 182
  - individual font entry (INDFNTE) tag
    - printers that use host print transform function 182
  - initialize at vary on (INITVON) tag
    - printers that use emulator on workstation controller 250
  - initialize printer (INITPRT) tag
    - printers that use emulator on workstation controller 250
  - initializing printer
    - printers that use emulator on display 215
    - printers that use host print transform function 153
  - INITPRT (initialize printer) tag
    - printers that use emulator on workstation controller 250
  - INITVON (initialize at vary on) tag
    - printers that use emulator on workstation controller 250
  - INSCSR (insert cursor) command 110
  - insert cursor (INSCSR) command 110
  - integer value
    - definition 21
  - invalid scan codes, changing source entries 61
  - J**
    - job log
      - displaying 21

jog output tray  
  printers that use emulator on display 225  
  printers that use host print transform function 177  
justification, unexpected results 180

## K

keyboard 48  
  122-key data entry 308  
  122-key typewriter 308  
  5250 data entry 307  
  5250 typewriter 308  
  ASCII display  
    function tag 120  
    operation 80  
  enhanced 309  
  mapping table, ASCII 85  
  twinaxial 307  
    determining which translation table to customize 51  
    translation table 41  
    using the tags to customize 62  
keyboard translation state table (TKSTATE) tag 65  
keyboard translation table (TKBDTBL) tag 63  
keys  
  function key tag for ASCII display 122  
  function keys for twinaxial display 58  
  make/break 42

## L

language  
  requirements  
    twinaxial display 47  
  support  
    primary language 4  
    secondary language 4  
  tag for workstation customizing 20  
language requirements  
  ASCII display 78  
length of page, setting  
  printers that use host print transform function 157  
library  
  displaying 21  
limitations  
  ASCII printer attached to twinaxial display 141  
  customizing 3  
line feed (LINEFEED) tag  
  printers that use emulator on display 215  
  printers that use emulator on workstation controller 250  
  printers that use host print transform function 168  
LINEFEED (line feed) tag  
  printers that use emulator on display 215  
  printers that use emulator on workstation controller 250  
  printers that use host print transform function 168  
lines per inch (LPI) tag  
  printers that use emulator on display 216  
  printers that use host print transform function 171  
list of device types that can be customized 5

LPI (set lines per inch) tag  
  printers that use emulator on display 216  
  printers that use host print transform function 171

## M

make/break keys 42  
mapping 187  
  tag  
    EBCASCTBLE (EBCDIC-to-ASCII entry), using the host print transform function 186  
mapping books to tasks 399  
mapping table  
  ASCII display  
    ASCII-to-EBCDIC 37, 86  
    ASCII-to-EBCDIC entry format 123  
    ASCII to keyboard function 37, 87  
    binary value addressing format 101  
    control character 87  
    control sequence 87  
    decimal numeric character addressing format 100  
    determining which to customize 92  
    EBCDIC-to-ASCII 37, 89  
    entry format for update screen table 95  
    insert cursor command 110  
    keyboard 85  
    list of 77  
    mapping graphic character data 86  
    overview 84  
    set cursor address command 106  
    set graphic character set command 109  
    update screen table 37, 89  
ASCII printer 241  
  ASCII control code (ASCICTL), for printers that use host print transform function 188  
  ASCICTL (ASCII control code) tag, for printers that use host print transform function 188  
  overview 142  
  overview, printers that use emulator on display 206  
  overview, printers that use emulator on workstation controller 239  
  overview, printers that use host print transform function 146  
ASCII printer attached to twinaxial display  
  printer function tag, printers that use emulator on display 209  
ASCII to keyboard function  
  entry format 119  
customizing  
  EBCDIC-to-ASCII, for printers that use host print transform function 185  
default printer EBCDIC-to-ASCII 239  
determining which ASCII printer table to customize 243  
display station  
  set national language character set 109  
  update screen table, set national language character set 109  
EBCDIC-to-ASCII entry format 117

mapping table (*continued*)

- keyboard translation table 41
- printer multilanguage EBCDIC-to-ASCII 241
- printers that use emulator on workstation controller
  - ASCII control code (ASCICTL) 254
  - ASCICTL (ASCII control code) tag 254
- tag
  - ASCII-to-EBCDIC (DASCTBL) 123
  - DASCTBL (ASCII-to-EBCDIC) 123
  - DEBCTBL (EBCDIC-to-ASCII) 117
  - default EBCDIC-to-ASCII (PDFTEBCTBL), printers that use emulator on workstation controller 246
  - default EBCDIC-to-ASCII (PDFTMAPTBL), printers that use emulator on workstation controller 246
  - EBCASCTBL (EBCDIC-to-ASCII), for printers that use host print transform function 186
  - EBCDIC-to-ASCII (DEBCTBL) 117
  - EBCDIC-to-ASCII (EBCASCTBL), for printers that use host print transform function 186
  - EBCDIC-to-ASCII (PMLGEBCTBL), printers that use emulator on workstation controller 248
  - EBCDIC-to-ASCII table entry (EBCASCTBLE), using the host print transform function 186
  - EFNTMAP (end font ID mapping), printers that use emulator on workstation controller 258
  - end default EBCDIC-to-ASCII (EPDFTMAPTBL), printers that use emulator on workstation controller 246
  - end font ID mapping (EFNTMAP), printers that use emulator on workstation controller 258
  - end multilanguage EBCDIC-to-ASCII (EPMLGMAPTBL), printers that use emulator on workstation controller 248
  - EPDFTMAPTBL (end default EBCDIC-to-ASCII), printers that use emulator on workstation controller 246
  - EPMLGMAPTBL (end multilanguage EBCDIC-to-ASCII), printers that use emulator on workstation controller 248
  - FNTMAP (font ID mapping), printers that use emulator on workstation controller 257
  - FNTMAPE (font mapping table entry), printers that use emulator on workstation controller 258
  - font ID mapping (FNTMAP), printers that use emulator on workstation controller 257
  - font mapping table entry (FNTMAPE), printers that use emulator on workstation controller 258
  - font width (PFNTWTH), printers that use emulator on workstation controller 247
  - keyboard translation table (TKBDTBL) 63
  - multilanguage EBCDIC-to-ASCII (PMLGMAPTBL), printers that use emulator on workstation controller 247
  - PDFTEBCTBL (default EBCDIC-to-ASCII), printers that use emulator on workstation controller 246
  - PDFTMAPTBL (default EBCDIC-to-ASCII), printers that use emulator on workstation controller 246
  - PFNTWTH (font width), printers that use emulator on workstation controller 247

mapping table (*continued*)

- tag (*continued*)
  - PMLGEBCTBL (EBCDIC-to-ASCII), printers that use emulator on workstation controller 248
  - PMLGMAPTBL (multilanguage EBCDIC-to-ASCII), printers that use emulator on workstation controller 247
  - TKBDTBL (keyboard translation table) 63
  - update screen table 104
- update screen table
  - 132-column support 116
  - decimal numeric character addressing format 100
  - entry format 95
  - set national language character set 109
  - start and end printer data bypass 110
- mapping text symbols 104
- margin (MARGIN) tag
  - printers that use emulator on workstation controller 259
- MARGIN (set margin) tag
  - printers that use emulator on workstation controller 259
- matching command parameters 373
- multilanguage EBCDIC-to-ASCII mapping table
  - printers that use emulator on workstation controller 241
- multilanguage EBCDIC-to-ASCII mapping table (EPMLGMAPTBL) tag, end
  - printers that use emulator on workstation controller 248
- multilanguage EBCDIC-to-ASCII mapping table (PMLGMAPTBL) tag
  - printers that use emulator on workstation controller 247

## N

- next side printing in duplex
  - printers that use emulator on display 225
  - printers that use host print transform function 178
- NLCS (set national language character set) command 109
- no-print border (NOPRTBDR) tag
  - printers that use host print transform function 151
- nonhexadecimal value
  - allowable length for tag identifier 20
- NOPRTBDR (no-print border) tag
  - printers that use host print transform function 151
- Notices 395

## O

- object
  - customizing, creating 23
  - restoring 30
  - structure of customizing 18
  - verifying workstation customizing object is created 25
- object authority
  - granting 25



outbound processing  
  customizing an ASCII display 95  
  description 84

## P

page length  
  printers that use host print transform function 157  
page length in inches (PAGLENI) tag  
  printers that use emulator on display 209  
  printers that use emulator on workstation controller 253  
  printers that use host print transform function 157  
page length in lines (PAGLENL) tag  
  printers that use emulator on display 216  
  printers that use emulator on workstation controller 259  
  printers that use host print transform function 158  
page printer data stream (PPDS)  
  definition 7  
page size (PAGSIZXFM) tag  
  printers that use host print transform function 157  
page size entry (PAGSIZE) tag  
  printers that use host print transform function 157  
page size for printer function table (PAGSIZPFT) tag  
  printers that use emulator on workstation controller 260  
PAGLENI (page length in inches) tag  
  printers that use host print transform function 157  
PAGLENI (set page length in inches) tag  
  printers that use emulator on display 209  
  printers that use emulator on workstation controller 253  
PAGLENL (page length in lines) tag  
  printers that use host print transform function 158  
PAGLENL (set page length in lines) tag  
  printers that use emulator on display 216  
  printers that use emulator on workstation controller 259  
PAGSIZE (page size entry) tag  
  printers that use host print transform function 157  
PAGSIZPFT (set page size for printer function table) tag  
  printers that use emulator on workstation controller 260  
PAGSIZXFM (page size) tag  
  printers that use host print transform function 157  
paper drawer number (DWRNBR) tag 181  
paper drawer number selection  
  printers that use host print transform function 175  
paper drawer number selection (DWRNBR) tag  
  printers that use host print transform function 175  
paper drawer selection  
  printers that use host print transform function 174  
paper feed (PRTFEED) tag  
  printers that use emulator on display 217  
  printers that use emulator on workstation controller 261  
paper handling  
  printers that use host print transform function 174, 175  
paper input  
  customizing 174  
paper orientation (PRTORIENT) tag  
  printers that use emulator on display 217, 225  
  printers that use emulator on workstation controller 261  
  printers that use host print transform function 179  
paper output  
  customizing 176  
paper positioning for printable area  
  printers that use host print transform function 151  
paper size, customizing 156, 164  
parameters  
  address mode parameter (ADDRMOD) 100  
  ADDRMOD (address mode) 100  
  automatic scrolling (AUTOSCL) 104  
  AUTOSCL (automatic scrolling) 104  
  CHARATR (highlighting support) 96  
  command  
    matching 373  
  DEVCLASS (device class) 18  
  device class (DEVCLASS) 18  
  device type (DEVTYPE) 35  
  DEVTYPE (device type) 35  
  highlighting support (CHARATR) 96  
  tag  
    general description 20  
    text symbol (TEXTSYM) 103  
    TEXTSYM (text symbol) 103  
PDFNTBL (ASCII printer definition table) tag  
  printers that use emulator on display 208  
PDFTEBCTBL (default EBCDIC-to-ASCII mapping table) tag  
  printers that use emulator on workstation controller 246  
PDFTMAPTBL (default EBCDIC-to-ASCII mapping table) tag  
  printers that use emulator on workstation controller 246  
PFCNTBL (ASCII printer function table) tag  
  printers that use emulator on workstation controller 247  
PFNTWTH (font width mapping table) tag  
  printers that use emulator on workstation controller 247  
planning  
  customizing  
    ASCII printers 7  
    displays 7  
  customizing a display  
    work sheet 374  
  customizing a printer  
    work sheet 385  
    work sheet, for a printer that uses host print transform function 379  
  errors and recovery 9  
  verifying planning complete 10  
  work sheet  
    customizing ASCII display 376  
    customizing ASCII printer, directly attached 389

- planning (*continued*)
  - work sheet (*continued*)
    - customizing ASCII printer attached to twinaxial display 386
    - customizing ASCII printers that use host print transform function 379
    - customizing twinaxial display 375
  - workstation customizing
    - introduction 3
    - setting up customizing 7
    - things you need to have and do 6
  - workstation customizing work sheets 373
- planning the customization schedule 148
- PMLGEBCTBL (EBCDIC-to-ASCII mapping table) tag
  - printers that use emulator on workstation controller 248
- PMLGMAPTBL (multilanguage EBCDIC-to-ASCII mapping table) tag
  - printers that use emulator on workstation controller 247
- port sharing, ASCII 92
- PPDS (page printer data stream)
  - definition 7
- preparing for customizing
  - ASCII printer 7
  - displays 7, 35
  - workstation 5
- PRICHRH (set primary character height) tag
  - printers that use emulator on workstation controller 253
- print angle (PRTANGLE) 155
- print media size, customizing 155
- print next character (PRTNXTCHR) 155
- print out tray position
  - printers that use emulator on display 225
- print output tray position
  - printers that use host print transform function 177
- print quality (PRTQLTY) tag
  - printers that use emulator on display 218
  - printers that use emulator on workstation controller 262
  - printers that use host print transform function 180
- printer
  - ASCII
    - planning to customize 7
    - preparation to customize, using host print transform function 145
    - preparing for customizing 7
    - supported, attached to twinaxial display 205
    - tag language 20
    - unsupported 146
  - ASCII, attached to twinaxial display
    - planning work sheet 386
    - source structure 207
    - tag language, for printers that use emulator on display 208
    - tag language, using the host print transform function 147
    - unsupported 206
  - ASCII, directly attached
    - customizing unsupported 237

- printer (*continued*)
  - ASCII, directly attached (*continued*)
    - function table 241
    - planning work sheet 389
    - source structure 244
    - tag language 244, 262
    - using the tags to customize, printers that use emulator on workstation controller 246
  - ASCII, printers that use host print transform function
    - planning work sheet 379
  - determining whether customizable 135
  - example
    - customizing Hewlett-Packard LaserJet 4 201
    - customizing Hewlett-Packard LaserJet Series III 266
    - customizing Hewlett-Packard LaserJet Series IIP attached to 3477 twinaxial display 227
- Printer
  - mapping table
    - ASCII printer definition, printers that use emulator on display 206
- printer
  - mapping table
    - ASCII printer definition, printers that use emulator on display 207
    - ASCII printer definition, printers that use emulator on workstation controller 142, 239
    - ASCII printer function 241
- Printer
  - mapping table
    - ASCII transform table, printers that use host print transform function 146
- printer
  - mapping table
    - default printer EBCDIC-to-ASCII 239
    - multilanguage EBCDIC-to-ASCII 241
  - supported ASCII
    - list of, printers that use host print transform function 139
  - work sheet for planning to customize
    - printers that use host print transform function 379
    - printers that use the emulator on the display 385
- printer, resetting (RESETPRT) tag
  - printers that use host print transform function 154
- printer control flags (PRTCTL) tag
  - printers that use emulator on workstation controller 250
- printer controls
  - printers that use host print transform function 153
- printer data stream
  - EPSON 150
  - HPPCL4 150
  - HPPCL4I 150
  - HPPCL5I 150
- printer data stream (PRTDTASTRM) tag
  - printers that use host print transform function 149
- printer definition table
  - printers that use emulator on display
    - EFNTGPDT (end global fonts) tag 214
    - end global fonts (EFNTGPDT) tag 214

- printer definition table (*continued*)
  - printers that use emulator on display (*continued*)
    - end translation printer definition table (ETRNEBCDIC) 221
    - ETRNEBCDIC (end translation printer definition table) 221
    - FNTGPDT (global fonts for printer definition table) tag 214
    - FNTGRNG (global font range) tag 214
    - FOREGRND (foreground color) tag 215
    - foreground color (FOREGRND) tag 215
    - global font range (FNTGRNG) tag 214
    - global fonts for printer definition table (FNTGPDT) tag 214
    - lines per inch (LPI) tag 216
    - LPI (set lines per inch) tag 216
    - page length in lines (PAGLENL) tag 216
    - PAGLENL (set page length in lines) tag 216
    - paper feed (PRTFEED) tag 217
    - paper orientation (PRTORIENT) tag 217, 225
    - print quality (PRTQLTY) tag 218
    - PRTFEED (paper feed) tag 217
    - PRTORIENT (paper orientation) tag 217, 225
    - PRTQLTY (print quality) tag 218
    - quality font download (SETQLTY) tag 219
    - set lines per inch (LPI) tag 216
    - set page length in lines (PAGLENL) tag 216
    - SETQLTY (quality font download) tag 219
    - table name (TBLNAME) tag 220
    - TBLNAME (table name) tag 220
    - translation entry (TRNEBCDICE) 221
    - translation printer definition table (TRNEBCDIC) 221
    - TRNEBCDIC (translation printer definition table) 221
    - TRNEBCDICE (translation entry) 221
  - printer definition table (PDFNTBL) tag
  - printers that use emulator on display 208
- printer function table tag
- printers that use emulator on workstation controller
  - ASCII (PFCNTBL) 247
- printer function tag
  - general description 147
  - general description, printers that use emulator on display 209
  - general syntax 209, 250
  - printers that use emulator on workstation controller
    - general description 250
- printer function tag with variable
  - printers that use emulator on workstation controller
    - general description 251
    - general syntax 251
- printer function tag with variable and relative movement 253
  - printers that use emulator on display
    - general description 209
    - general syntax 209
  - printers that use emulator on workstation controller
    - general description 253
    - general syntax 253
- printer information
  - customizing 149
- printer setup, completing 145, 146
- printer table
  - determining which to customize 207
- printer writer
  - starting 27
- printers that use emulator on display
  - backspace (BSP) tag 211
  - bell function 211
  - BSP (backspace) tag 211
  - carrier return function 212
  - double character height 213
  - double-wide continuous, ending 213
  - double-wide continuous, starting 213
  - duplex printing function 224
  - end bold printing function 211
  - end subscript functions 220
  - end superscript functions 220
  - end underscore function 221
  - form feed function 215
  - half line feed function 224
  - initializing printer function 215
  - jog output tray function 225
  - line feed function 215
  - proportional space mode function 218
  - proportional spacing mode function 218
  - reverse half line feed function 226
  - reverse line feed function 226
  - select next side printing in duplex 225
  - set standard character height 219
  - set tumble duplex printing 226
  - set vertical units in half tag 227
  - set vertical units tag 222
  - setting simplex printing 226
  - simplex printing, setting 226
  - space function 219
  - start subscript functions 219
  - start superscript functions 220
  - starting bold printing functions 211
  - starting underscore functions 221
- PRISPCM (set primary spacing mode) tag
  - printers that use emulator on workstation controller 252
- PRISTYLE (set primary style) tag
  - printers that use emulator on workstation controller 252
- problem
  - analyzing 30
- problem determination, text justification 180
- processing, inbound and outbound 84
- programming considerations
  - customizing
    - ASCII printer attached to twinaxial display 205
    - ASCII printers that use host print transform function 145
    - directly attached ASCII printer 237
    - twinaxial keyboard 39
    - customizing an ASCII display 95
- proportional space
  - printers that use host print transform function 167

- proportional spacing mode
  - printers that use emulator on display 218
- PRTCTL (printer control flags) tag
  - printers that use emulator on workstation controller 250
- PRTDTASTRM (printer data stream) tag
  - printers that use host print transform function 149
- PRTFEED (paper feed) tag
  - printers that use emulator on display 217
  - printers that use emulator on workstation controller 261
- PRTNXTCHR (print next character) 155
- PRTORIENT (paper orientation) tag
  - printers that use emulator on display 217, 225
  - printers that use emulator on workstation controller 261
  - printers that use host print transform function 179
- PRTQLTY (print quality) tag
  - printers that use emulator on display 218
  - printers that use emulator on workstation controller 262
  - printers that use host print transform function 180
- publications, task index 399

## Q

- QTXTSRC source file name 22
- quality font download (SETQLTY) tag
  - printers that use emulator on display 219

## R

- RASEND, raster graphics end 154
- raster graphics end (RASEND) tag 154
- RASTERMODE (Raster mode) tag
  - printers that use host print transform function 150
- recovery
  - from errors while changing source 21
  - from failure to create customizing object 24
  - from planning errors 9
  - from retrieving source errors 14
  - from vary on errors 28
- reset printer (RESETPRT) tag
  - printers that use host print transform function 154
- RESETPRT (reset printer) tag
  - printers that use host print transform function 154
- Restore Object (RSTOBJ) command 30
- restoring
  - object 30
- restrictions
  - customizing ASCII display 90
  - customizing twinaxial display 48
  - device constraints 3
  - remapping
    - 122-key data entry keyboard scan codes 50
    - 122-key typewriter keyboard scan codes 50
    - 5250 data entry keyboard scan codes 51
    - 5250 typewriter keyboard scan codes 50
    - enhanced keyboard scan codes 51
- Retrieve Work Station Customizing Object Source (RTVWSCST) command 5

- retrieving
  - source
    - device type 11
    - errors and recovery 14
    - for devices not supported by IBM 13
    - keyboard language type 11
    - library name 11
    - physical file name 11
    - workstation customizing object source 5, 11, 13
  - retrieving the workstation customizing source 146
  - reverse half line feed
    - printers that use emulator on display 226
    - printers that use host print transform function 171
  - reverse index (RVSIDX) tag
    - printers that use emulator on workstation controller 251
  - reverse line feed
    - printers that use emulator on display 226
    - printers that use host print transform function 171
  - road map for workstation customizing 4
  - RSTOBJ (Restore Object) command 30
  - RTVWSCST (Retrieve Work Station Customizing Object Source) command 5
  - RVSIDX (reverse index) tag
    - printers that use emulator on workstation controller 251

## S

- scan code byte format 42
- scan codes
  - 122-key style keyboard 45
  - 5250-style keyboard 43
  - diacritic characters 56
  - enhanced keyboard 43
  - twinaxial keyboard 42
  - unassigned and not valid
    - changing translation table entries 61
- scan codes, incorrect 61
- SCNSIZE (set screen size) tag 113
- screen size (SCNSIZE) tag 113
- screen table (DSCNTBL) tag 95
- set ASCII character set (ACS) command 108
- set characters per inch (CPI) tag
  - printers that use emulator on display 212, 223
  - printers that use emulator on workstation controller 255
  - printers that use host print transform function 163
- set characters per inch in COR mode (CPICOR) tag
  - printers that use emulator on display 223
  - printers that use host print transform function 163
- set code page (CODEPAGE) tag
  - printers that use emulator on display 212
- set code page (CODPAGVAR) tag
  - printers that use emulator on workstation controller 252
- set cursor address (CSRADR) tag 106
- set cursor display off (CSROFF) command 110
- set cursor display on (CSRON) command 110

- set global font for PFT (FNTGPFT) tag
  - printers that use emulator on workstation controller 250
- set graphic character set (GCS) command 109
- set lines per inch (LPI) tag
  - printers that use emulator on display 216
  - printers that use host print transform function 171
- set margin (MARGIN) tag
  - printers that use emulator on workstation controller 259
- set national language character set (NLCS) command 109
- set no-print border (NOPRTBDR) tag
  - printers that use host print transform function 151
- set page length in inches (PAGLENI) tag
  - printers that use emulator on display 209
  - printers that use emulator on workstation controller 253
- set page length in lines (PAGLENL) tag
  - printers that use emulator on display 216
  - printers that use emulator on workstation controller 259
- set page length tag, using
  - printers that use emulator on workstation controller 263
- set primary character height (PRICHRH) tag
  - printers that use emulator on workstation controller 253
- set primary spacing mode (PRISPCM) tag
  - printers that use emulator on workstation controller 252
- set primary style (PRISTYLE) tag
  - printers that use emulator on workstation controller 252
- set screen size (SCNSIZE) tag 113
- set screen size commands 113
- set standard character height (STDCHRH) tag
  - printers that use emulator on display 219
- set text length in lines (TEXTLENL) 179
- set vertical units
  - printers that use emulator on display 222
- set vertical units in half
  - printers that use emulator on display 227
- SETQLTY (quality font download) tag
  - printers that use emulator on display 219
- setting fonts
  - printers that use host print transform function 180
- setting horizontal character spacing
  - printers that use host print transform function 162
- setting page length
  - printers that use host print transform function 157
- setting simplex printing
  - printers that use emulator on display 226
  - printers that use host print transform function 178
- setting the state for inbound data processing 88
- setting tumble duplex printing
  - printers that use emulator on display 226
  - printers that use host print transform function 178
- setting up
  - customizing a 3477 twinaxial display 371
  - customizing an ASCII display 369
- setting up (*continued*)
  - workstation customizing
    - introduction 3
- setting vertical line spacing
  - printers that use host print transform function 171
- SEU (source entry utility)
  - changing tags and keywords 19
- simplex printing
  - printers that use emulator on display 226
  - printers that use host print transform function 178
- sound alarm (ALARM) command 107
- source, retrieving the workstation customizing 146
- source code
  - retrieved successfully 15
  - retrieving 11
  - verifying 15
  - verifying changes are complete 22
  - workstation customizing examples 311
- source entry utility (SEU)
  - changing tags and keywords 19
- source materials, gathering 145
- source structure
  - ASCII display 93
  - ASCII printer, directly attached 244
  - twinaxial display 62
  - twinaxial display with attached ASCII printer 207
- SPACE (space) tag
  - printers that use emulator on workstation controller 251
- space (SPACE) tag
  - printers that use emulator on workstation controller 251
- spacing
  - printers that use emulator on display 219
  - printers that use host print transform function 167
- spacing, horizontal character
  - printers that use host print transform function 162
- spacing, vertical line
  - printers that use host print transform function 171
- special keys
  - make/break 42
- specifying the workstation customizing object 200
- standards
  - EBCDIC code page 47
  - keyboard layout 48
  - keyboard standards 48
- start bold printing
  - printers that use host print transform function 161
- start bold printing (STRBOLD) tag
  - printers that use emulator on workstation controller 251
- start double-wide continuous (STRWIDE) tag
  - printers that use emulator on display 213
- start printer data bypass (STRBYP) command 110
- start printer data bypass (STRBYP) tag 110
- Start Printer Writer (STRPRTWTR) command 28
- start proportional space mode (STRPROP) tag
  - printers that use emulator on workstation controller 251



- start subscript (STRSUBS) tag
  - printers that use emulator on workstation controller 251
- start superscript (STRSUPS) tag
  - printers that use emulator on workstation controller 251
- start underscore
  - printers that use host print transform function 162
- start underscore (STRUS) tag
  - printers that use emulator on workstation controller 251
- starting
  - printer writer 27
  - underscore 17
- starting bold printing
  - printers that use emulator on display 211
- starting underscore
  - printers that use emulator on display 221
- STRBOLD (start bold printing) tag
  - printers that use emulator on workstation controller 251
- STRBYP (start printer data bypass) command 110
- STRBYP (start printer data bypass) tag 110
- STRPROP (start proportional space mode) tag
  - printers that use emulator on workstation controller 251
- STRPRTWTR (Start Printer Writer) command 28
- STRSUBS (start subscript) tag
  - printers that use emulator on workstation controller 251
- STRSUPS (start superscript) tag
  - printers that use emulator on workstation controller 251
- structure
  - customizing object 18
  - source
    - ASCII display 93
    - ASCII printer attached to twinaxial display 207
    - twinaxial displays 62
- STRUS (start underscore) tag
  - printers that use emulator on workstation controller 251
- STRWIDE (start double-wide continuous) tag
  - printers that use emulator on display 213
- subscript functions
  - printers that use emulator on display 219, 220
  - printers that use host print transform function 173
- subscripting
  - printers that use host print transform function 173
- superscript functions
  - printers that use emulator on display 220
  - printers that use host print transform function 173
- superscript tags
  - printers that use emulator on workstation controller 262
- superscripting
  - printers that use host print transform function 173
- supported
  - ASCII printer 237

- syntax
  - tag language
    - ASCII printer, directly attached 244
    - ASCII printer attached to twinaxial display 207
    - twinaxial display 62
  - tag language for
    - ASCII display 93
- syntax for printer function tags with variable and relative movement
  - printers that use emulator on display 209
  - printers that use emulator on workstation controller 251, 253

## T

- table
  - 122-key data entry keyboard scan codes restricted from remapping 50
  - 122-key typewriter keyboard scan codes restricted from remapping 50
  - 5250 data entry keyboard scan codes restricted from remapping 51
  - 5250 typewriter keyboard scan codes restricted from remapping 50
  - ASCII character code to hexadecimal value 367
  - ASCII display mapping 77
  - ASCII-to-EBCDIC mapping 37
  - ASCII to keyboard function mapping table 37
  - EBCDIC character code to hexadecimal value 367
  - EBCDIC-to-ASCII mapping table 37
  - enhanced keyboard scan codes restricted from remapping 51
  - example twinaxial keyboard translation table entries 70
  - IBM twinaxial displays and supported keyboards 39
  - language type and keyboard type considerations 66
  - supported diacritic characters by language group 56
  - translation table entry format
    - aid generating functions 60
    - blank keys 58
    - cursor movement functions 58
    - diacritic characters 56
    - field exit functions 59
    - function (Cmd) key functions 60
    - immediate functions 59
    - incorrect scan codes 58
    - mapping EBCDIC characters 54
    - nonaid functions 59
    - proof space character 58
    - shift key functions 60
  - update screen table for ASCII display 37, 89
  - values for the language type (LANGTYPE) parameter 63
- table name (TBLNAME) tag
  - printers that use emulator on display 220
- tag 17, 244
  - ASCII control code mapping (ASCICTL), for printers that use host print transform function 188
  - ASCII display keyboard function 120

tag (continued)

- ASCII printer
  - language description, printers that use emulator on display 208
  - language description, using the host print transform function 147
- ASCII printer attached to twinaxial display
  - printer function tag 209
- ASCII printers that use host print transform function
  - EASCCPINFO (end ASCII code page information) 189
  - end ASCII code page information (EASCCPINFO) 189
- ASCII-to-EBCDIC mapping table (DASCTBL) 123
- ASCII to keyboard function mapping table (DKBDTBL) 119
- ASCICTL (ASCII control code mapping), for printers that use host print transform function 188
- ATRCMD (attribute) command 111
- ATRCMD (attribute command) 111
- attribute command (ATRCMD) 111
- comments in source 20
- CPI (set characters per inch) 163
- CSRADR (set cursor address) 106
- customizing twinaxial display keyboards 62
- DASCTBL (ASCII-to-EBCDIC mapping table) 123
- DBCS considerations, using the host print transform function 191
- DEBCTBL (EBCDIC-to-ASCII mapping table) 117
- DKBDTBL (ASCII to keyboard function mapping table) 119
- DSCNTBL (update screen table) 95
- EBCASCTBLE (EBCDIC-to-ASCII mapping entry), using the host print transform function 186
- EBCDIC-to-ASCII mapping entry (EBCASCTBLE), using the host print transform function 186
- EBCDIC-to-ASCII mapping table (DEBCTBL) 117
- EEBCASCTBL (end EBCDIC-to-ASCII mapping table) 187
- EENVSIZXFM (end envelope size for host print transform function) 156
- EFAXSIZXFM (end fax size for host print transform function) 190
- EFNTGRP (end font group for host print transform function) 182
- EINDFNT (end individual font for host print transform function) 183
- end EBCDIC-to-ASCII mapping (EEBCASCTBL), using host print transform function 187
- end envelope size for host print transform function (EENVSIZXFM) 156
- end fax size for host print transform function (EFAXSIZXFM) 190
- end font group for host print transform function (EFNTGRP) 182
- end individual font for host print transform function (EINDFNT) 183
- end page size for host print transform function (EPAGSIZXFM) 157
- end workstation object (EWSCST) 18
- ending delimiter 20

tag (continued)

- envelope size for host print transform function (ENVSIZXFM) 156
- ENVSIZXFM (envelope size for host print transform function) 156
- EWSCST (end workstation object) 18
- extended set cursor address (XCSRADR) 114
- fax size transform function (ENVSIZXFM) 190
- FAXSIZXFM (fax size transform) 190
- finding the hexadecimal value 21
- FKEY (function key) 122
- FNTGRP (font group for host print transform function) 181
- font group for host print transform function (FNTGRP) 181
- font selection 264
- function key (FKEY) 122
- general
  - description 20
  - rules 20
  - syntax 20
- INDFNT (individual font for host print transform function) 182
- INDFNTE (individual font entry for host print transform function) 182
- individual font entry for host print transform function (INDFNTE) 182
- individual font for host print transform function (INDFNT) 182
- keyboard translation state table (TKSTATE) 65
- keyboard translation table (TKBDTBL) 63
- language, customizing directly attached ASCII printer 262
- page size entry (PAGSIZE) 157
- page size for host print transform function (PAGSIZXFM) 157
- PAGSIZE (page size entry) 157
- PAGSIZXFM (page size for host print transform function) 157
- paper orientation (PRTORIENT) 179
- print angle (PRTANGLE) 155
- print next character (PRTNXTCHR) 155
- printer data stream (PRTDTASTRM), for host print transform function 149
- printer function 147
- printers that use emulator on display
  - ADJHRZORG (adjust horizontal origin) 222
  - adjust horizontal origin (ADJHRZORG) 222
  - adjust vertical origin (ADJVERORG) 222
  - ADJVERORG (adjust vertical origin) 222
  - ASCII printer definition table (PDFNTBL) 208
  - backspace (BSP) 211
  - backward relative movement (BCKRMOV) 209
  - BCKRMOV (backward relative movement) 209
  - bell (BELL) 211
  - BELL (bell) 211
  - BSP (backspace) 211
  - carrier return (CARRTN) 212
  - CARRTN (carrier return) 212
  - CODEPAGE (set code page) 212
  - CPI (set characters per inch) 212, 223

tag (continued)

printers that use emulator on display (continued)  
CPICOR (set characters per inch in COR mode) 223  
DBLCHRH (set double character height) 213  
drawer selection (DWRSLT) 213  
duplex printing (DUPXPRT) 224  
DUPXPRT (duplex printing) 224  
DWRSLT (drawer selection) 213  
EFNTGPDT (end global fonts for printer definition table) 214  
end bold printing (ENDBOLD) 211  
end double-wide continuous (ENDWIDE) 213  
end global fonts for printer definition table (EFNTGPDT) 214  
end translation printer definition table (ETRNEBCDIC) 221  
end underscore (ENDUS) 221  
ENDBOLD (end bold printing) 211  
ENDPROP (proportional space mode) 218  
ENDSUBS (subscript function) 220  
ENDSUPS (superscript function) 220  
ENDUS (end underscore) 221  
ENDWIDE (end double-wide continuous) 213  
ETRNEBCDIC (end translation printer definition table) 221  
FNTGPDT (global fonts for printer definition table) 214  
FNTGRNG (global font range) 214  
FOREGRND (foreground color) 215  
foreground color (FOREGRND) 215  
form feed (FORMFEED) 215  
FORMFEED (form feed) 215  
forward relative movement (FWDRMOV) 209  
FWDRMOV (forward relative movement) 209  
global font range (FNTGRNG) 214  
global fonts for printer definition table (FNTGPDT) 214  
half line feed (HLFLINEFEED) 224  
HLFLINEFEED (half line feed) 224  
initialize printer (INITPRT), printers that use emulator on display 215  
INITPRT (initialize printer), printers that use emulator on display 215  
jog output tray (JOGOUTTRAY) 225  
JOGOUTTRAY (jog output tray) 225  
line feed (LINEFEED) 215  
LINEFEED (line feed) 215  
LPI (set lines per inch) 216  
NXTDUPXPRT (select next side printing in duplex) 225  
PAGLENI (set page length in inches) 209  
PAGLENL (set page length in lines) 216  
paper feed (PRTFEED) 217  
paper orientation (PRTORIENT) 217, 225  
PDFNTBL (ASCII printer definition table) 208  
print quality (PRTQLTY) 218  
printer function 209  
printer function with variable and relative movement 209  
proportional space mode (ENDPROP) 218

tag (continued)

printers that use emulator on display (continued)  
proportional spacing mode (STRPROP) 218  
PRTFEED (paper feed) 217  
PRTORIENT (paper orientation) 217, 225  
PRTQLTY (print quality) tag 218  
quality font download (SETQLTY) 219  
reverse half line feed (RVSHLFLINEFEED) 226  
reverse line feed (RVSLINEFEED) 226  
RVSHLFLINEFEED (reverse half line feed) 226  
RVSLINEFEED (reverse line feed) 226  
select next side printing in duplex (NXTDUPXPRT) 225  
set characters per inch (CPI) 212, 223  
set characters per inch in COR mode (CPICOR) 223  
set code page (CODEPAGE) 212  
set double character height (DBLCHRH) 213  
set lines per inch (LPI) 216  
set page length in inches (PAGLENI) 209  
set page length in lines (PAGLENL) 216  
set simplex printing (SMPXPRT) 226  
set standard character height (STDCHRH) 219  
set tumble duplex printing (TUMDUPXPRT) 226  
set vertical units (VERUNT) 222  
set vertical units in half (VERUNTHLF) 227  
SETQLTY (quality font download) 219  
SMPXPRT (set simplex printing) 226  
SPACE (space function) 219  
space function (SPACE) 219  
start bold printing (STRBOLD) 211  
start double-wide continuous (STRWIDE) 213  
start underscore (STRUS) 221  
STDCHRH (set standard character height) 219  
STRBOLD (start bold printing) 211  
STRPROP (proportional spacing mode) 218  
STRSUBS (subscript function) 219  
STRSUPS (superscript function) 220  
STRUS (start underscore) 221  
STRWIDE (start double-wide continuous) 213  
subscript function (ENDSUBS) 220  
subscript function (STRSUBS) 219  
superscript function (ENDSUPS) 220  
superscript function (STRSUPS) 220  
table name (TBLNAME) 220  
TBLNAME (table name) 220  
translation entry (ETRNEBCDIC) 221  
translation printer definition table (TRNEBCDIC) 221  
TRNEBCDIC (translation printer definition table) 221  
TRNEBCDICE (translation entry) 221  
TUMDUPXPRT (set tumble duplex printing) 226  
variable line spacing (VARLSPC) 209  
VARLSPC (variable line spacing) 209  
VERUNT (set vertical units) 222  
VERUNTHLF (set vertical units in half) 227  
printers that use emulator on workstation controller  
ASCII control code mapping (ASCICTL) 254  
ASCII printer function table (PFCNTBL) 247  
ASCICTL (ASCII control code mapping) 254



tag (continued)

printers that use emulator on workstation controller  
(continued)

backspace (BSP) 250  
backward relative movement (BCKRMOV) 253  
BCKRMOV (backward relative movement) 253  
BELL (bell) 250  
bell (BELL) 250  
BSP (backspace) 250  
carrier return (CARRTN) 250  
CARRTN (carrier return) 250  
CODPAGVAR (set code page) 252  
COLLATE (collate width) 255  
collate width (COLLATE) 255  
CPI (set characters per inch) 255  
default EBCDIC-to-ASCII mapping table  
(PDFTEBCTBL) 246  
default EBCDIC-to-ASCII mapping table  
(PDFTMAPTBL) 246  
default font ID (DFTFNTID) 256  
DFTFNTID (default font ID) 256  
drawer selection (DWRSLT) 256  
DWRSLT (drawer selection) 256  
EBCDIC-to-ASCII mapping table (PMLGEBCTBL)  
248  
EFNTMAP (end font ID mapping) 258  
end bold highlighting (ENDBOLD) 250  
end default EBCDIC-to-ASCII mapping table  
(EPDFTMAPTBL) 246  
end font ID mapping (EFNTMAP) 258  
end multilanguage EBCDIC-to-ASCII mapping  
table (EPMLGMAPTBL) 248  
end subscript (ENDSUBS) 250  
end superscript (ENDSUPS) 250  
end underscore (ENDUS) 250  
ENDBOLD (end bold highlighting) 250  
ENDSUBS (end subscript) 250  
ENDSUPS (end superscript) 250  
ENDUS (end underscore) 250  
EPDFTMAPTBL (end default EBCDIC-to-ASCII  
mapping table 246  
EPMLGMAPTBL (end multilanguage  
EBCDIC-to-ASCII mapping table) 248  
FNTGPFT (set global font for PFT) 250  
FNTMAP (font ID mapping) 257  
FNTMAPE (font mapping table entry) 258  
FNTTYPE (font type) 252  
font ID mapping (FNTMAP) 257  
font mapping table entry (FNTMAPE) 258  
font quality (FONTQLTY) 258  
font type (FNTTYPE) 252  
font width mapping table (PFNTWTH) 247  
FONTQLTY (font quality) 258  
form feed (FORMFEED) 250  
FORMFEED (form feed) 250  
forward relative movement (FWDRMOV) 253  
FWDRMOV (forward relative movement) 253  
initialize at vary on (INITVON) 250  
initialize printer (INITPRT) 250  
INITPRT (initialize printer) 250  
INITVON (initialize at vary on) 250

tag (continued)

printers that use emulator on workstation controller  
(continued)

language for customizing directly attached ASCII  
printers 246  
line feed (LINEFEED) 250  
LINEFEED (line feed) 250  
MARGIN (set margin) 259  
multilanguage EBCDIC-to-ASCII mapping table  
(PMLGMAPTBL) 247  
page size for printer function table (PAGSIZPFT)  
260  
PAGLENI (set page length in inches) 253  
PAGLENL (set page length in lines) 259  
PAGSIZPFT (set page size for printer function  
table) 260  
paper feed (PRTFEED) 261  
paper orientation (PRTORIENT) 261  
PDFTEBCTBL (default EBCDIC-to-ASCII mapping  
table) 246  
PDFTMAPTBL (default EBCDIC-to-ASCII mapping  
table) 246  
PFCNTBL (ASCII printer function table) 247  
PFNTWTH (font width mapping table) 247  
PMLGEBCTBL (EBCDIC-to-ASCII mapping table)  
248  
PMLGMAPTBL (multilanguage EBCDIC-to-ASCII)  
247  
PRICHRH (set primary character height) 253  
print quality (PRTQLTY) 262  
printer control flags (PRTCTL) 250  
printer function 250  
printer function with a variable 251  
printer function with variable and relative  
movement 253  
PRISPCM (set primary spacing mode) 252  
PRISTYLE (set primary style) 252  
PRTCTL (printer control flags) 250  
PRTFEED (paper feed) 261  
PRTORIENT (paper orientation) 261  
PRTQLTY (print quality) 262  
reverse index (RVSIDX) 251  
RVSIDX (reverse index) 251  
set characters per inch (CPI) 255  
set code page (CODPAGVAR) 252  
set global font for PFT (FNTGPFT) 250  
set margin (MARGIN) 259  
set page length in inches (PAGLENI) 253  
set page length in lines (PAGLENL) 259  
set primary character height (PRICHRH) 253  
set primary spacing mode (PRISPCM) 252  
set primary style (PRISTYLE) 252  
space (SPACE) 251  
SPACE (space) 251  
start bold printing (STRBOLD) 251  
start proportional space mode (STRPROP) 251  
start subscript (STRSUBS) 251  
start superscript (STRSUPS) 251  
start underscore (STRUS) 251  
STRBOLD (start bold printing) 251  
STRPROP (start proportional space mode) 251

tag (continued)

printers that use emulator on workstation controller  
(continued)

STRSUBS (start subscript) 251  
STRSUPS (start superscript) 251  
STRUS (start underscore) 251  
VARCPI (variable characters per inch) 253  
variable characters per inch (VARCPI) 253  
variable line spacing (VARLSPC) 253  
VARLSPC (variable line spacing) 253

printers that use host print transform function 157,  
163, 179, 187

ASCCPINFO (ASCII code page information) 188  
ASCII code page information (ASCCPINFO) 188  
backspace (BSP) 162  
bell (BELL) 153  
BELL (bell) 153  
BSP (backspace) 162  
carrier return (CARRTN) 153  
CARRTN (carrier return) 153  
code page (CODEPAGE) 188  
CODEPAGE (code page) on 188  
CPICOR (set characters per inch in COR mode)  
163  
default ASCII code page (DFTASCCP) 189  
DFTASCCP (default ASCII code page) 189  
drawer selection (DWRSLT) 174  
duplex printing (DUPXPRT) 178  
DUPXPRT (duplex printing) 178  
DWRNBR (select paper drawer number) 175  
DWRSLT (drawer selection) 174  
EBCASCTBL (EBCDIC-to-ASCII mapping table)  
186  
EBCDIC-to-ASCII mapping table (EBCASCTBL)  
186  
EEBCASCTBL (end EBCDIC-to-ASCII) 187  
end bold printing (ENDBOLD) 161  
end EBCDIC-to-ASCII mapping table  
(EEBCASCTBL) 187  
end proportional space (ENDPROP) 167  
end underscore (ENDUS) 162  
ENDBOLD (end bold printing) 161  
ENDPROP (end proportional space) 167  
ENDSUBS (subscript function) 173  
ENDSUPS (superscript function) 173  
ENDUS (end underscore) 162  
envelope size entry (ENVSIZE) 156  
ENVSIZE (envelope size entry) 156  
fax size entry (ENVSIZE) 190  
FAXSIZE (fax size entry) 190  
FNTGRPE (font group entry) 181  
font group entry (FNTGRPE) 181  
FOREGRND (foreground color) 174  
foreground color (FOREGRND) 174  
form feed (FORMFEED) 168  
FORMFEED (form feed) 168  
half line feed (HLFLINEFEED) 168  
HLFLINEFEED (half line feed) 168  
horizontal relative movement (HORRMOV) 165  
HORRMOV (horizontal relative movement) 165  
initialize printer (INITPRT) 153

tag (continued)

printers that use host print transform function  
(continued)

INITPRT (initialize printer) 153  
jog output tray (JOGOUTTRAY) 177  
JOGOUTTRAY (jog output tray) 177  
line feed (LINEFEED) 168  
LINEFEED (line feed) 168  
LPI (set lines per inch) 171  
NOPRTBDR (set no-print border) 151  
NXTDUPXPRT (select next side printing in  
duplex) 178  
page length in inches (PAGLENI) 157  
page length in lines (PAGLENL) 158  
PAGLENI (page length in inches) 157  
PAGLENL (page length in lines) 158  
print quality (PRTQLTY) 180  
proportional space (STRPROP) 167  
PRTQLTY (print quality) 180  
reverse half line feed (RVSHLFLINEFEED) 171  
reverse line feed (RVSLINEFEED) 171  
RVSHLFLINEFEED (reverse half line feed) 171  
RVSLINEFEED (reverse line feed) 171  
select next side printing in duplex  
(NXTDUPXPRT) 178  
select paper drawer number (DWRNBR) 175  
set characters per inch in COR mode (CPICOR)  
163  
set lines per inch (LPI) 171  
set no-print border (NOPRTBDR) 151  
set simplex printing (SMPXPRT) 178  
set tumble duplex printing (TUMDUPXPRT) 178  
SMPXPRT (set simplex printing) 178  
SPACE (space function) 167  
space function (SPACE) 167  
start bold printing (STRBOLD) 161  
start underscore (STRUS) 162  
STRBOLD (start bold printing) 161  
STRPROP (proportional space) 167  
STRSUBS (subscript function) 173  
STRSUPS (superscript function) 173  
STRUS (start underscore) 162  
subscript function (ENDSUBS) 173  
subscript function (STRSUBS) 173  
subscript function (STRSUPS) 173  
superscript function (ENDSUPS) 173  
transform table (TRNSFRMTBL) 147  
TRNSFRMTBL (transform table) 147  
TUMDUPXPRT (set tumble duplex printing) 178  
variable line spacing (VARLSPC) 171  
VARLSPC (variable line spacing) 171  
VERRMOV (backward relative movement) 169  
vertical relative movement (VERRMOV) 169  
PRTDTASTRM (printer data stream), for host print  
transform function 149  
PRTORIENT (paper orientation) 179  
raster graphics end (RASSEND) tag 154  
Raster mode (RASTERMODE) 150  
RASTERMODE (Raster mode) 150  
reset printer (RESETPRT) 154  
RESETPRT (reset printer) 154

tag (*continued*)

- SCNSIZE (set screen size) 113
- set characters per inch (CPI) 163
- set cursor address (CSRADR) 106
- set page length 263
- set screen size (SCNSIZE) 113
- set text length in lines (TEXTLENL) 179
- start printer data bypass (STRBYP) 110
- STRBYP (start printer data bypass) 110
- syntax 20
- text length in lines (TEXTLENL) 159
- TKBDTBL (keyboard translation table) 63
- TKSTATE (keyboard translation state table) 65
- top margin in inches (TOPMARGINI) 160
- update screen table 95, 104
- using the superscript and subscript 262
- VERAMOV tag, vertical absolute move 168
- vertical absolute move (VERAMOV) 168, 175
- workstation object (WSCST) 18
- WSCST (workstation object) 18
- XCSRADR (set cursor address) 114

tag language

- ASCII displays 93

tag language for workstation customizing 20

tag syntax 20

task index publications 399

TBLNAME (table name) tag

- printers that use emulator on display 220

testing

- customizing object 27

text justification, unexpected results 180

text length in lines (TEXTLENL) 159

text length in lines (TEXTLENL), set 179

text symbol (TEXTSYM) parameter 103

TEXTSYM (text symbol) parameter 103

TKBDTBL (keyboard translation table) tag 63

TKSTATE (keyboard translation state table) tag 65

top margin, setting 160

top margin in inches (TOPMARGINI) 160

TOPMARGINI (top margin in inches) 160

transform table

- for printers that use host print transform function 147

transform table (TRNSFRMTBL) tag

- ASCII printer
  - TRNSFRMTBL, for printers that use host print transform function 147
- printers that use host print transform function 147

translation entry (TRNEBCDICE) tag

- printers that use emulator on display 221

translation printer definition table (TRNEBCDIC) tag

- printers that use emulator on display 221

translation table

- basic layout 53
- changing entries 54
- changing entries for incorrect scan codes 61
- entry format
  - blank keys and unassigned scan codes 57
  - diacritic characters 56
  - EBCDIC character translations 54
  - function keys 58
- translation table (*continued*)
  - entry format (*continued*)
    - proof space character 58
  - keyboard 41
  - twinaxial keyboard
    - functions not specified 61
  - twinaxial source format 52

translation table (TKBDTBL) tag 63

TRNEBCDIC (translation printer definition table) tag

- printers that use emulator on display 221

TRNEBCDICE (translation entry) tag

- printers that use emulator on display 221

tumble duplex printing

- printers that use emulator on display 226
- printers that use host print transform function 178

twinaxial device emulation

- ASCII workstation controller 77

twinaxial display

- attached ASCII printers
  - preparation to customize, using the host print transform function 145
  - supported 205
  - unsupported 206
- attached ASCII printers preparation to customize, printers that use emulator on the display
  - source structure 207
- customizing
  - example 68
  - planning 7
  - preparing 48
  - restrictions 48
- diacritic characters
  - entry format 56
- EBCDIC code page standards 47
- keyboard 307
  - programming considerations 39
- keyboard translation table
  - functions not specified 61
  - specifications 51
- language requirements 47
- list of supported 36
- planning work sheet 375
- restrictions 62
- retrieving source 13
- scan codes
  - diacritic characters 56
- setting up to customize 3477 371
- source structure 62
- translation table 53
  - entry format for diacritic characters 56
  - source format 52
- using the tags to customize 62

twinaxial workstation controller

- keyboard layout standards 48
- keyboard scan codes 42
- keyboard translation table 41
  - specifications 51
- preparing for workstation customizing 6
- translation table 53
  - source format 52

typewriter keyboard  
122-key layout 308  
5250 layout 308

## U

unprintable area  
printers that use host print transform function 151  
unsupported ASCII display, customizing 74  
unsupported ASCII printer, customizing  
printers that use emulator on workstation controller 237  
update screen table  
132-column support 116  
ASCII display  
insert cursor command 110  
binary value addressing format 101  
decimal numeric character addressing format 100  
description 89  
entry format 95  
general syntax 105  
overview 37  
set cursor address command 106  
set graphic character set command 109  
start and end printer data bypass 110  
tag description 104  
update screen table (DSCNTBL) tag 95  
using font selection tags  
printers that use emulator on workstation controller 264  
using set page length tag  
printers that use emulator on workstation controller 263  
using superscript and subscript tags  
printers that use emulator on workstation controller 262

## V

value  
finding the hexadecimal code for tag 21  
VARCPI (variable characters per inch) tag  
printers that use emulator on workstation controller 253  
variable characters per inch (VARCPI) tag  
printers that use emulator on workstation controller 253  
variable line spacing (VARLSPC) tag  
printers that use emulator on display 209  
printers that use emulator on workstation controller 253  
printers that use host print transform function 171  
VARLSPC (variable line spacing) tag  
printers that use emulator on display 209  
printers that use emulator on workstation controller 253  
printers that use host print transform function 171  
Vary Configuration (VRYCFG) command 27  
vary on  
verifying success 32

varying on  
device 27  
errors and recovery 28  
VERAMOV tag, vertical absolute move 168, 175  
verifying  
customizing source retrieved successfully 15  
source changes complete 22  
vary on is successful 32  
workstation customizing object created 25  
workstation customizing planning complete 10  
VERRMOV (vertical relative movement) tag  
printers that use host print transform function 169  
vertical absolute move (VERAMOV) tag 168, 175  
vertical line spacing  
printers that use host print transform function 171  
vertical movement  
printers that use host print transform function 167  
vertical origin (ADJVERORG) tag  
printers that use emulator on display 222  
vertical relative movement (VERRMOV) tag  
printers that use host print transform function 169  
VRYCFG (Vary Configuration) command 27

## W

work sheets  
planning to customize displays 374  
planning to customize printers that use host print transform function 379  
planning to customize printers that use the emulator on display 385  
workstation customizing planning 373  
Work with Configuration Status (WRKCFGSTS)  
command 28  
working with  
configuration status 28  
keyboard translation table 41  
tag language for  
ASCII display 93  
ASCII printer attached to twinaxial display 207  
directly attached ASCII printer 244  
twinaxial display 62  
workstation  
ASCII  
list of mapping tables 37  
mapping local display functions 87  
mapping twinaxial function key requests 87  
screen refresh function 87  
terminal disconnect function 87  
toggle display indicators 88  
ASCII display 92  
ASCII-to-EBCDIC mapping table 37, 86  
ASCII to keyboard function mapping table 37, 87  
binary value addressing format 101  
character sets 78  
code page 78  
command sequence 79  
commands for unsupported displays 90  
control character 87  
control codes 79  
control sequence 87  
customizing overview 73

- workstation (*continued*)
  - ASCII display (*continued*)
    - customizing restrictions 90
    - customizing unsupported 74
    - decimal numeric character addressing format 100
    - determining mapping tables to customize 92
    - EBCDIC-to-ASCII mapping table 37, 89
    - keyboard mapping table 85
    - keyboard operation 80
    - keyboard tags 119
    - list of supported 36
    - mapping graphic character data 86
    - mapping table 89
    - mapping tables, list of 77, 92
    - planning work sheet 376
    - processing 84
    - setting state for inbound data processing 88
    - setting up to customize 369
    - update screen table 37, 89
    - update screen table entry format 95
    - update screen tags 104
  - ASCII printer
    - preparing for customizing 7
  - ASCII printer, attached to twinaxial display
    - limitations 141
    - planning work sheet 386
  - ASCII printer, directly attached
    - customizing example 266
    - customizing overview 237
    - customizing unsupported 237
    - default printer EBCDIC-to-ASCII 239
    - determining which tables to customize 243
    - list of supported 237
    - mapping table overview 142, 239
    - multilanguage EBCDIC-to-ASCII mapping table 241
    - planning work sheet 389
    - printer function table 241
    - source structure 244
    - tag language 244
  - ASCII printers that use host print transform function
    - planning work sheet 379
  - customizing
    - overview 3
    - planning 7
    - preparing for 5
  - display
    - customizing overview 35
    - determining whether customizable 35
    - overview of customizing 35
    - preparing for customizing 7
  - mapping table
    - ASCII to EBCDIC entry format 95
  - printer
    - determining whether customizable 135
  - tag language for customizing 20
  - twinaxial
    - list of supported 36
  - twinaxial display
    - diacritic character entry format 56
- workstation (*continued*)
  - twinaxial display (*continued*)
    - EBCDIC code page standards 47
    - language requirements 47
    - planning work sheet 375
    - setting up to customize 3477 371
  - workstation controller
    - ASCII
      - functional overview 75
      - language restrictions 93
      - local display functions 87
      - screen refresh function 87
      - terminal disconnect function 87
      - toggle display indicators 88
      - twinaxial device emulation 77
    - preparing for customizing 6
    - twinaxial
      - keyboard layout standards 48
      - keyboard translation table 41
      - keyboard translation table specifications 51
  - workstation customizing
    - example
      - 3477 Model H twinaxial display for diacritic characters 68
      - 4019 ASCII printer 334
      - 4029 ASCII printer 328
      - DEC VT-320 display in VT-300 mode 125
      - Hewlett-Packard LaserJet 4 201
      - Hewlett-Packard LaserJet Series IIP attached to 3477 twinaxial display 227
      - HP4 ASCII printer 359
      - source code 311
      - source for 3151 ASCII display 321
      - source for 3477 twinaxial display with attached ASCII printer 311
    - introduction 3
    - limitations
      - ASCII printer attached to twinaxial display 141
      - general 3
    - object
      - creating 5
      - retrieving source 5
    - planning 6
    - planning work sheets 373
    - preparing for 6
    - procedure road map 4
    - restrictions
      - ASCII display 90
      - device constraints 3
      - twinaxial display 48
    - setting up
      - introduction 3
    - tag language 20
    - things you need to have and do 6
    - twinaxial display
      - restrictions 48
    - verifying planning complete 10
    - work sheet for planning to customize display 374
    - work sheet for planning to customize printer printers that use emulator on display 385



- workstation customizing *(continued)*
  - work sheet for planning to customize printer *(continued)*
    - printers that use host print transform function 379
- workstation customizing object
  - creating 23
  - retrieving source 11, 13
  - verifying object is created 25
- workstation customizing object, creating the 200
- workstation customizing object, deleting the 200
- workstation customizing object, specifying the 200
- workstation customizing object is created, verifying 25
- workstation object (WSCST) tag 18
- WRKCFGSTS (Work with Configuration Status)
  - command 28
- WSCST (workstation object) tag 18

## **X**

- XCSRADR (extended set cursor address) tag 114

---

# Readers' Comments — We'd Like to Hear from You

AS/400e series  
Workstation Customization Programming  
Version 4

Publication No. SC41-5605-00

Overall, how satisfied are you with the information in this book?

	Very Satisfied	Satisfied	Neutral	Dissatisfied	Very Dissatisfied
Overall satisfaction	<input type="checkbox"/>	<input type="checkbox"/>	<input type="checkbox"/>	<input type="checkbox"/>	<input type="checkbox"/>

How satisfied are you that the information in this book is:

	Very Satisfied	Satisfied	Neutral	Dissatisfied	Very Dissatisfied
Accurate	<input type="checkbox"/>	<input type="checkbox"/>	<input type="checkbox"/>	<input type="checkbox"/>	<input type="checkbox"/>
Complete	<input type="checkbox"/>	<input type="checkbox"/>	<input type="checkbox"/>	<input type="checkbox"/>	<input type="checkbox"/>
Easy to find	<input type="checkbox"/>	<input type="checkbox"/>	<input type="checkbox"/>	<input type="checkbox"/>	<input type="checkbox"/>
Easy to understand	<input type="checkbox"/>	<input type="checkbox"/>	<input type="checkbox"/>	<input type="checkbox"/>	<input type="checkbox"/>
Well organized	<input type="checkbox"/>	<input type="checkbox"/>	<input type="checkbox"/>	<input type="checkbox"/>	<input type="checkbox"/>
Applicable to your tasks	<input type="checkbox"/>	<input type="checkbox"/>	<input type="checkbox"/>	<input type="checkbox"/>	<input type="checkbox"/>

Please tell us how we can improve this book:

Thank you for your responses. May we contact you?  Yes  No

When you send comments to IBM, you grant IBM a nonexclusive right to use or distribute your comments in any way it believes appropriate without incurring any obligation to you.

---

Name

---

Address

---

Company or Organization

---

Phone No.



Fold and Tape

Please do not staple

Fold and Tape



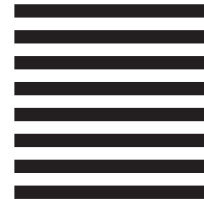
NO POSTAGE  
NECESSARY  
IF MAILED IN THE  
UNITED STATES

# BUSINESS REPLY MAIL

FIRST-CLASS MAIL PERMIT NO. 40 ARMONK, NEW YORK

POSTAGE WILL BE PAID BY ADDRESSEE

IBM CORPORATION  
ATTN DEPT 542 IDCLERK  
3605 Highway 52 N  
ROCHESTER MN 55901-7829



Fold and Tape

Please do not staple

Fold and Tape







Printed in the United States of America  
on recycled paper containing 10%  
recovered post-consumer fiber.

SC41-5605-00



Spine information:



AS/400e series

OS/400 Workstation Customization  
Programming V4R3

Version 4

SC41-5605-00