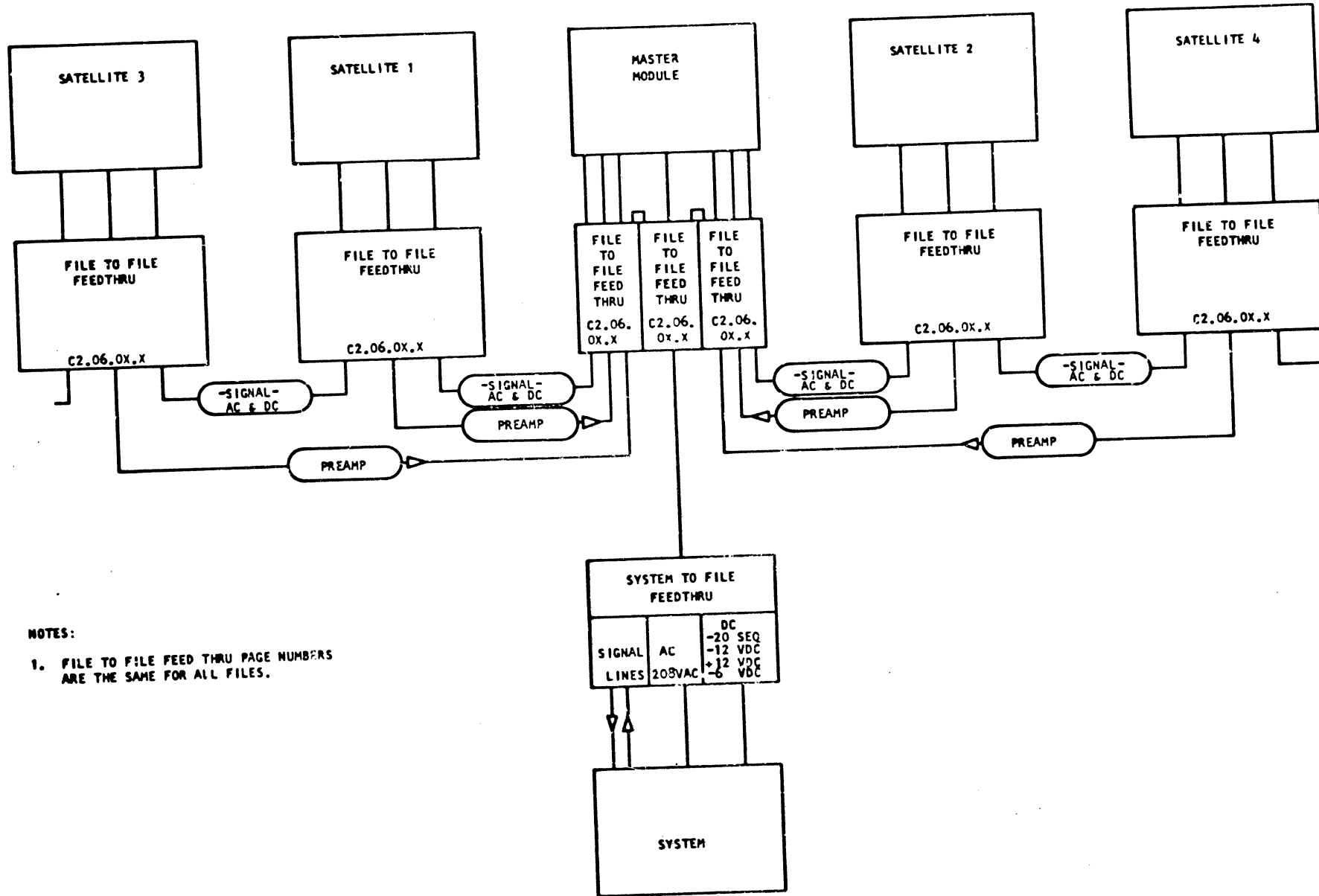


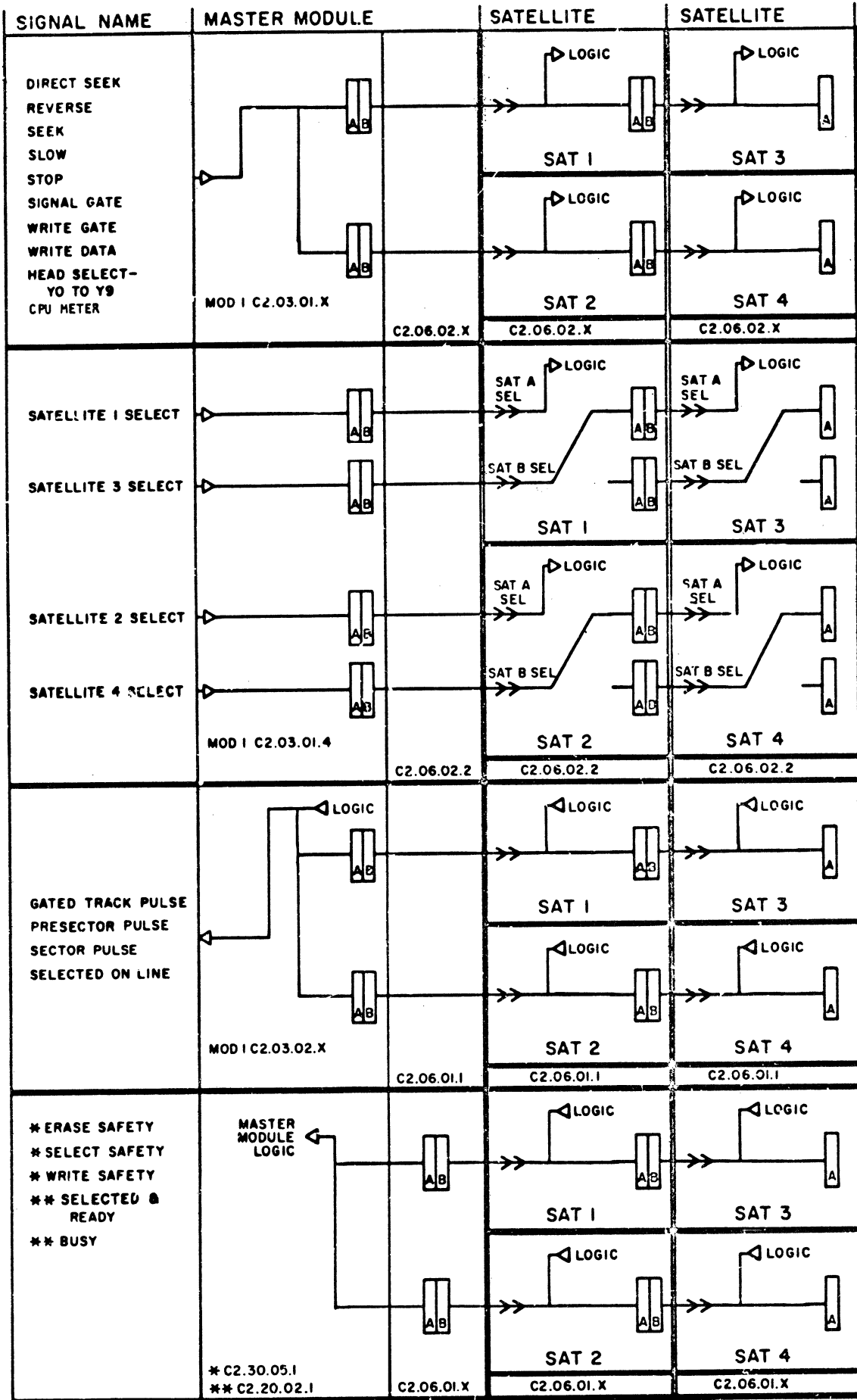
LOGIC TITLE OR FUNCTION	PAGENO.	PART NO.	DA LEV.	E/C LEV
ACCESS CONTROLS	C2.22.02.1	02154749	2D00000	408302
ACCESS LOGIC + PHOTOCCELL AMPL	C2.22.05.1	02154732	2D02000	408302B
ACCESS SEQUENCE	C2.12.15.1	02180321	2D03000	408334
ACCESSING LOGIC	C2.22.06.1	02154733	2D00000	408302
ANY SEEK COMPLETE	C2.25.03.1	02154825	2D00000	408302
DC POWER + SEQUENCE	C2.06.03.3	02180317	2D02000	408302B
EDG CON,TERM STR,FUSE,RC,RELAY,SW,CHA	C2.02.10.1	02180313	2D05000	408345
HEADS + SELECTION MATRIX	C2.32.10.1	02180322	2D03000	408334
MASTER TO SATELLITE FEEDTHRU	C2.06.02.1	02154737	2D00000	408302
MASTER TO SATELLITE FEEDTHRU	C2.06.02.2	02154738	2D00000	408302
MASTER TO SATELLITE FEEDTHRU	C2.06.02.5	02154821	2D00000	408302
MASTER TO SATELLITE FEEDTHRU	C2.06.02.4	02154754	2D00000	408302
METER AND POWER PACK	C2.32.20.1	02180323	2D01000	408302A
MF1 CODING	C2.02.00.3	02154808	2A20000	408334
MOTORS,LAMPS + PHOTOCCELLS	C2.12.05.1	02180319	2D00000	408302
PLUGGABLE UNIT CHART	C2.02.00.5	02154751	2D00000	408302
PLUGGABLE UNIT CHART- SOV	C2.02.00.6	02180329	2D00000	408302
POWER DISTRIBUTION A C	C2.06.03.1	02180316	2D02000	408302B
POWER SUPPLY -36V D C	C2.12.02.1	02180318	2D05000	408345
READ,WRITE, + ERASE, Y HEAD SEL	C2.32.05.1	02154734	2D00000	408302
REVENUE METER CONTROL	C2.32.15.1	02157293	2D00000	408302
SATELLITE LINE DRIVERS	C2.06.06.1	02154731	2D00000	408302
SATELLITE LINE RCVRS SOV	C2.06.05.4	02154755	2D00000	408302
SATELLITE LINE RCVRS SOV	C2.06.05.5	02154822	2D00000	408302
SATELLITE LINE RECEIVERS	C2.06.05.1	02154730	2D00000	408302
SATELLITE TO MASTER FEEDTHRU	C2.06.01.1	02154736	2D00000	408302
SATELLITE TO MASTER FEEDTHRU	C2.06.01.2	02154756	2D00000	408302
SECONDARY LOGIC ACCESSING FLOW CHART	C2.01.01.4	02180336	1C04000	408301D
SECONDARY LOGIC SAT SIG FEED THRU CHT	C2.01.01.1	02180333	1C04000	408301D
SECONDARY LOGIC- DIR SEEK TIMING CHT	C2.01.01.7	02180338	1C04000	408301D
SECONDARY LOGIC- LOGIC CONTROL	C2.01.01.0	02180332	1C04000	408301D
SECONDARY LOGIC- POWER ON FLOW CHART	C2.01.01.2	02180334	1C04000	408301D
SECONDARY LOGIC- POWER ON TIMING CHT	C2.01.01.2	02180335	1C04000	408301D
SECONDARY LOGIC- RTN HOME TIMING CHT	C2.01.01.6	02180337	1C04000	408301D
SERVICE WIRING	C2.02.20.1	02154752	2D00000	408302
SOLENOIDS + HEAD LATCH MAG	C2.12.10.1	02180320	2D05000	408345
TAR CONTROLS - SEEK OVERLAP	C2.25.01.1	02154823	2D00SV0	408302
TRACK ADD REG SEEK OVERLAP	C2.25.02.1	02154824	2D00SV0	408302
VOLTAGE DISTRIBUTION - GATE B	C2.02.25.1	02180315	2D02000	408302B

END OF INDEX

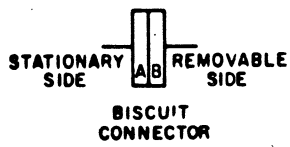


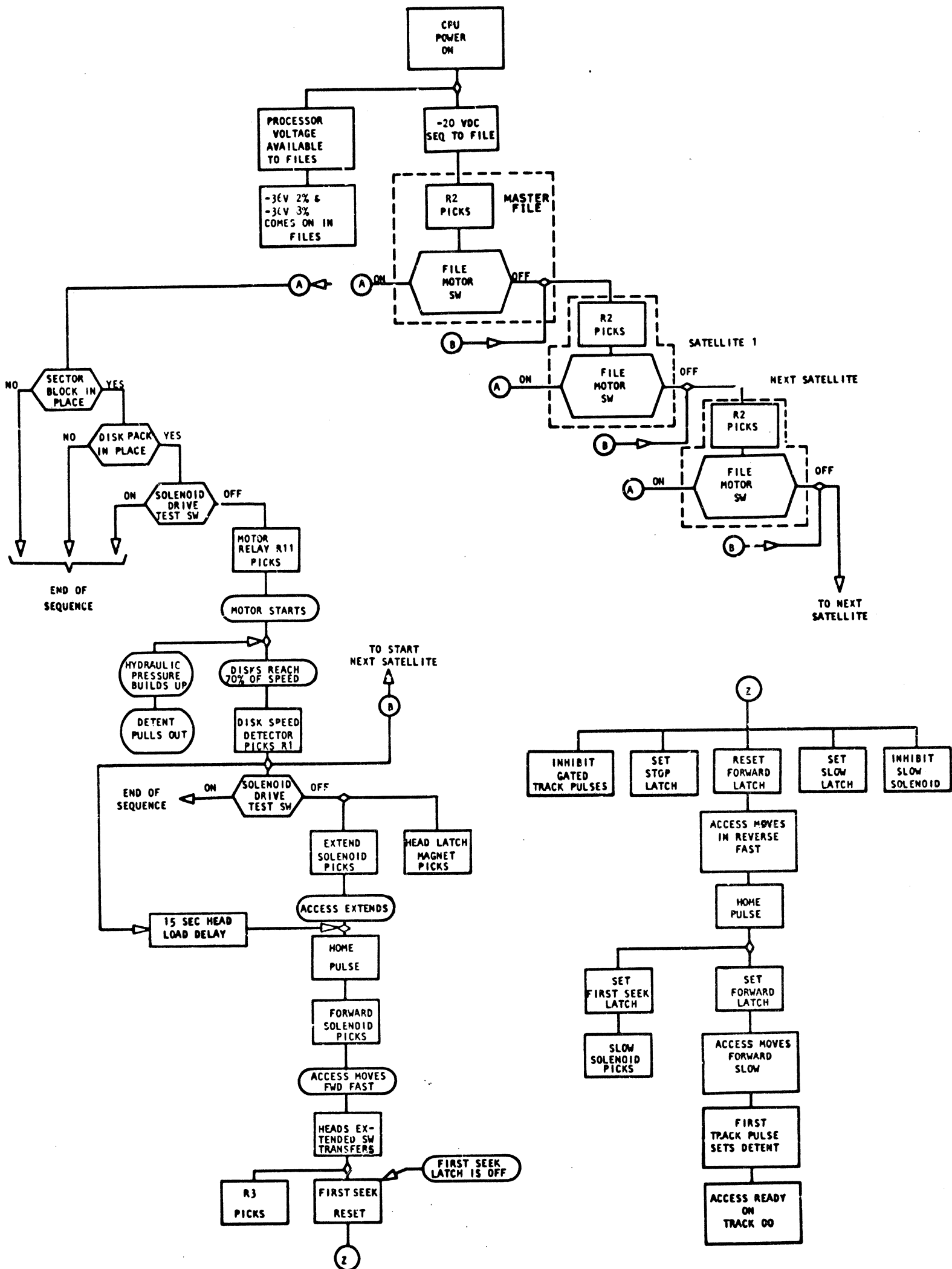
NOTES:

- 1. FILE TO FILE FEED THRU PAGE NUMBERS ARE THE SAME FOR ALL FILES.



SYMBOLS



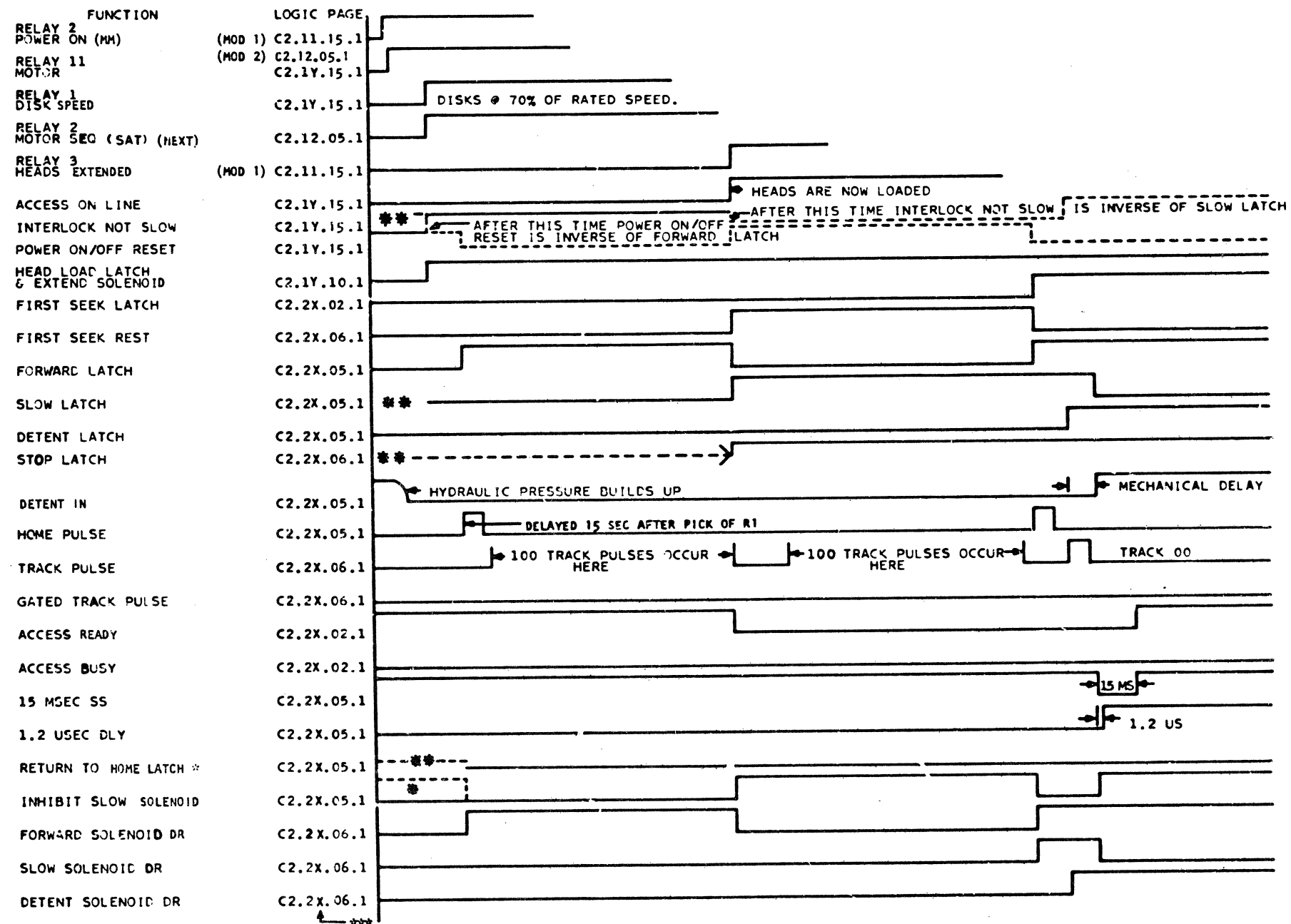


POWER ON - LOAD HEADS AND AUTOMATIC FIRST SEEK

2180335

POWER ON TIMING CHART

1311-1,2 C2.01.01.3

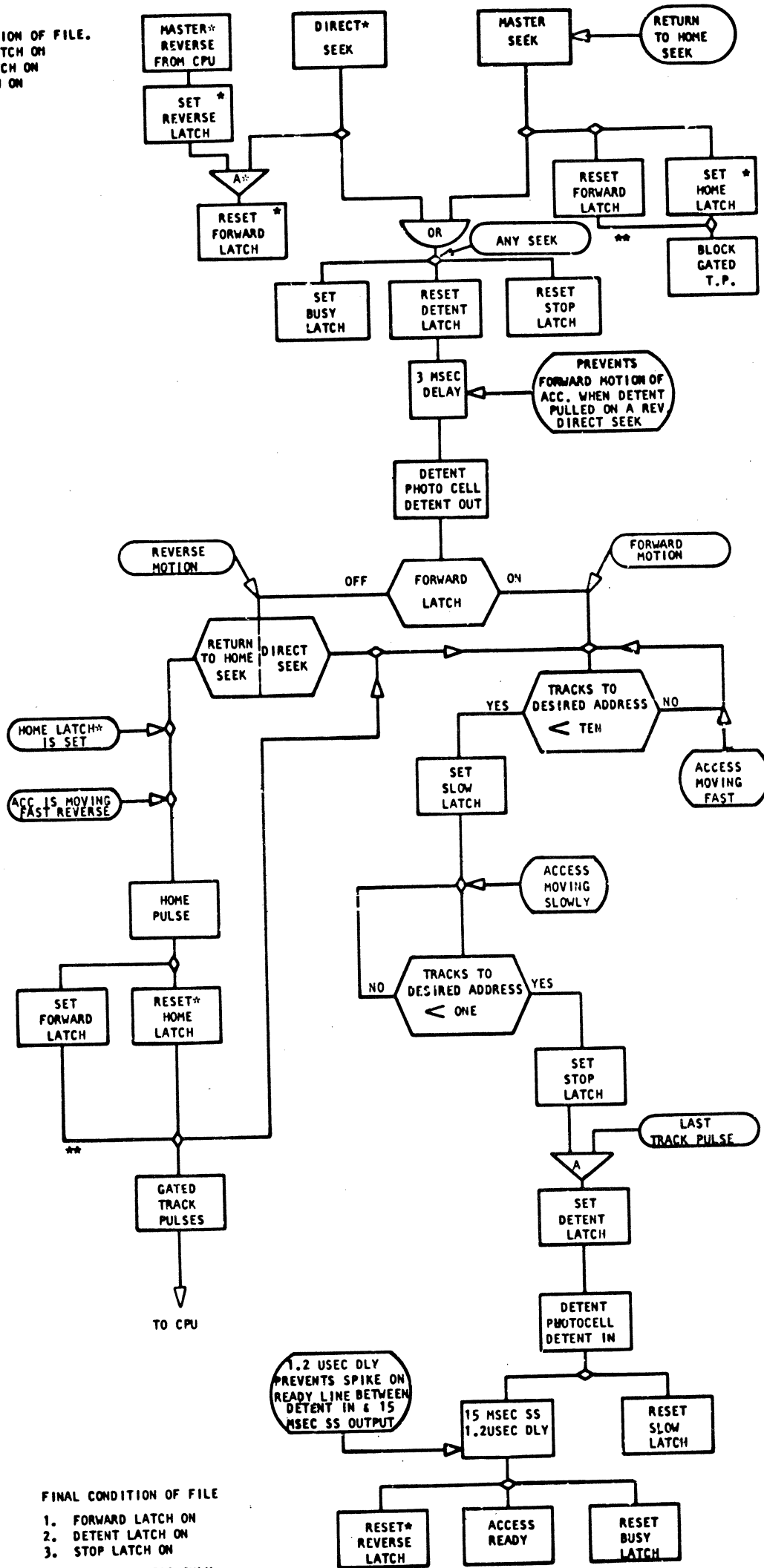


* DIRECT ACCESS ONLY
 ** STARTING LEVEL MAY BE ± Y
 *** Y - 1 FOR MOD 1, 2 FOR MOD 2
 X - 0 FOR MOD 1, 2 FOR MOD 2

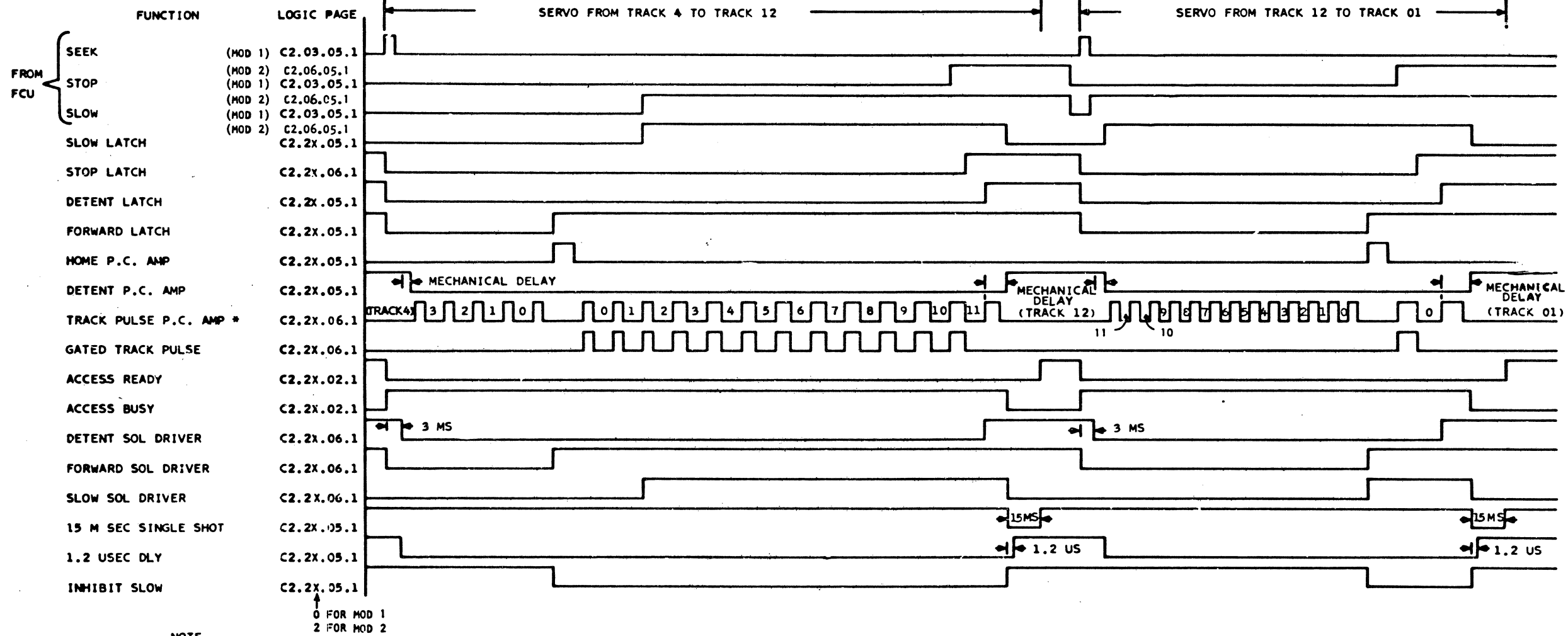
E/C 4083010

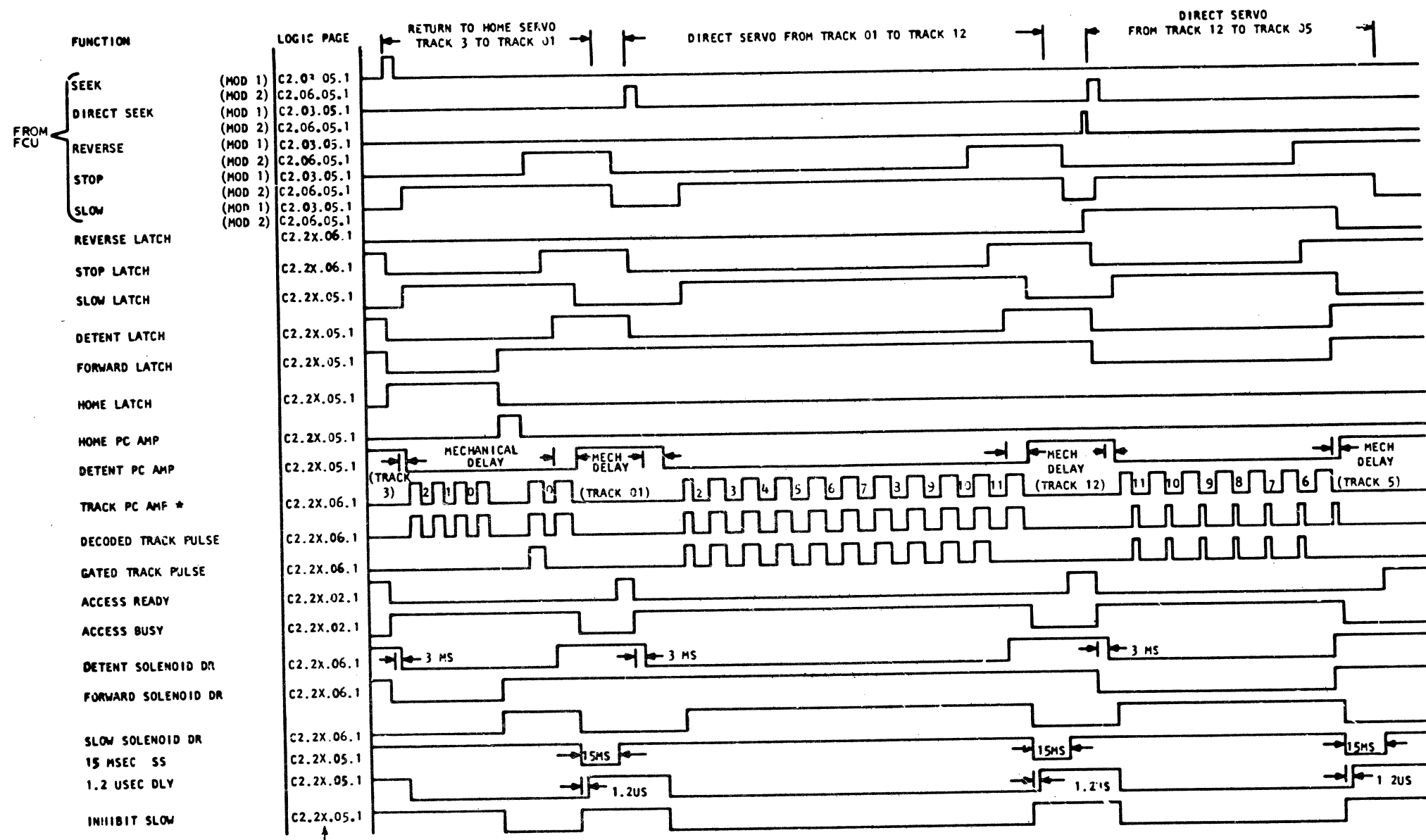
DA 1004000

INITIAL CONDITION OF FILE.
 1. FORWARD LATCH ON
 2. DETENT LATCH ON
 3. STOP LATCH ON



FINAL CONDITION OF FILE
 1. FORWARD LATCH ON
 2. DETENT LATCH ON
 3. STOP LATCH ON
 * DIRECT ACCESS ONLY
 ** REMOVE FOR DIRECT ACCESS



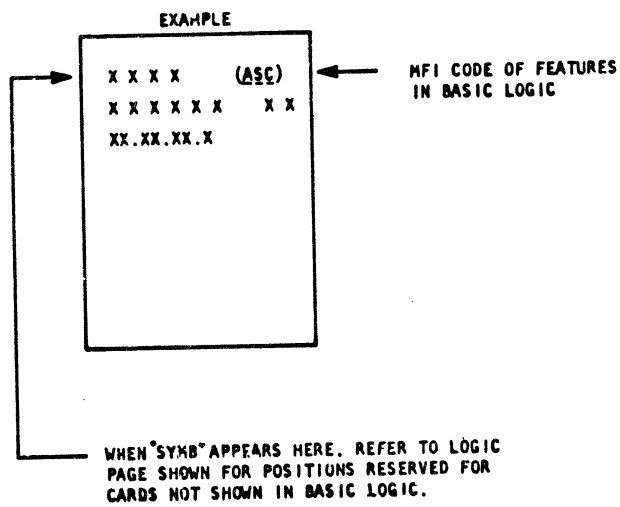


NOTE
 * NUMBERS BESIDE TRACK PULSES
 CORRESPOND TO TRACK LOCATION.

1311 MODS					FEATURE CODE	
1	2	3	4	5		
X	X	X			ASC	ANY SEEK COMPLETE
X	X	X	X	X	DIA	DIRECT ACCESS (DIRECT SEEK)
X					DSOV	DIRECT SEEK OVERLAP (DIRECT ACCESS OR SEEK OVERLAP) NOTE I
		X	X		FTR	FULL TRACK RECORD
X	X	X	X		MM	MULTI MODULE
X	X	X	X	X	NDIA	NON DIRECT ACCESS
		X			NMI	NO ADDITIONAL MEMORY NOTE II
		X	X		NSOV	NO SEEK OVERLAP
		X			SCI	SEEK INTERRUPT
		X	X		SCN	SCAN
X	X	X	X		SOV	SEEK OVERLAP

NOTE I: "DSOV" DOES NOT APPLY TO "D" SUFFIX MOD II

NOTE II: THESE CARDS ARE NECESSARY FOR ALL 1620 MOD II SYSTEMS REGARDLESS OF STORAGE CAPACITY AND 1620 MOD I SYSTEMS WITHOUT A 1623



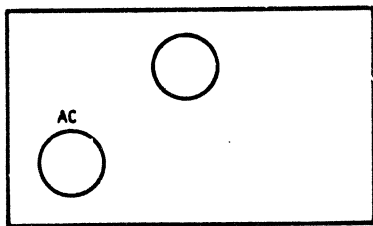
FIELD REPLACEMENT (MULTI CIRCUIT) * SMS CARDS

CARD CODE	PRESENT ASM P/N	CIRCUIT NAME	FIELD REPL P/N	SCHEMATIC LOGIC PAGE
AXH	372207	4-2 WAY, 1-3 WAY (-A -0)	370954	C2.90.40.4
AXP	372213	4-2 WAY, 1-3 WAY WO/LOAD	370954	C2.90.40.4
AXQ	372214	4-3 WAY (-A -0) W/LOAD	370954	C2.90.40.4
AXW	372236	4-3 WAY (-A -0) WO/LOAD	370954	C2.90.40.4
DEN	372195	1-6 WAY, 1-4 WAY W/LOAD (-A)	370953	C2.90.40.3
DGX	370376	5 WAY LOW SPEED W/LOAD	370953	C2.90.40.3
DGY	370375	5 WAY LOW SPEED WO/LOAD	370953	C2.90.40.3
DGZ	370373	10 WAY LOW SPEED W/LOAD		
DHA	370374	10 WAY LOW SPEED WO/LOAD		
DHB	370348	INV LOW SPEED W/LOAD	370950	C2.90.40.0
DHC	370372	INV LOW SPEED WO/LOAD	370950	C2.90.40.0
DHY	372123	1-6 WAY, 1-4 WAY WO/LOAD (-A)	370953	C2.90.40.3
DHY	372193	1-8 WAY, 1-2 WAY WO/LOAD	370953	C2.90.40.3
DMZ	372194	1-8 WAY, 1-2 WAY W/LOAD	370953	C2.90.40.3

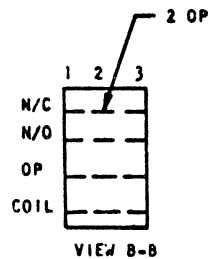
* REFER TO GENERAL CEM'S FOR CAP KIT & CONTACT STRIP

A	B	C	D	E	F
14		DGV- DIA 0370378 03 C2.22.06.1 C2.22.05.1 C2.22.05.1	DGT- ASC 0370380 04 C2.25.03.1 C2.25.03.1	AZB- ... 0372255 04 C2.06.05.1 C2.32.15.1 C2.06.05.1 C2.06.05.1	AYB- NDIA 0372316 06 C2.22.06.1 C2.22.06.1 C2.22.06.1 C2.22.05.1 C2.22.06.1
			03,04		
15		DHF- DIA 0370262 01 C2.22.06.1	DGT- ASC 0370380 04 C2.25.03.1 C2.25.03.1 C2.25.03.1	AZB- DIA 0372255 04 C2.06.05.1 C2.06.05.1	AYH- DIA 0372315 03 C2.22.06.1 C2.22.06.1 C2.22.06.1
			03,04		
16			DGV- ASC 0370378 03 C2.22.03.1 C2.22.03.1		SYMB ... 50 C2.06.02.5
					49 MISSING CIRCUITS
17					AYE- ... 0372313 02 C2.22.06.1 C2.22.06.1
18			AZC- SOV 0372256 04 C2.06.06.1	S001 0747175 06 C2.06.05.1 C2.22.06.1 C2.06.06.1 C2.06.06.1 C2.06.06.1	SYMB ... 50 C2.06.02.5
			01,03,04		49 MISSING CIRCUITS
19			AZB- SOV 0372255 04 C2.06.05.4 C2.06.05.4 C2.06.05.4 C2.06.05.4	S001 0747175 06 C2.06.05.1 C2.06.05.1 C2.22.02.1 C2.06.05.1 C2.06.05.1	AYG- ... 0372314 04 C2.22.06.1 C2.22.05.1 C2.22.06.1
					04
20			AZB- SOV 0372255 04 C2.06.05.4 C2.06.05.4 C2.06.05.4 C2.06.05.4	S001 0747175 06 C2.06.06.1 C2.22.05.1 C2.32.05.1 C2.22.06.1 C2.06.05.1 C2.32.05.1	
21			AZB- SOV 0372255 04 C2.06.05.3 C2.06.05.3		
			01,02		
22				SYMB SOV 50 C2.06.02.5	SYMB SOV 50 C2.06.02.5
				49 MISSING CIRCUITS	49 MISSING CIRCUITS
23					
24					
25					
26					

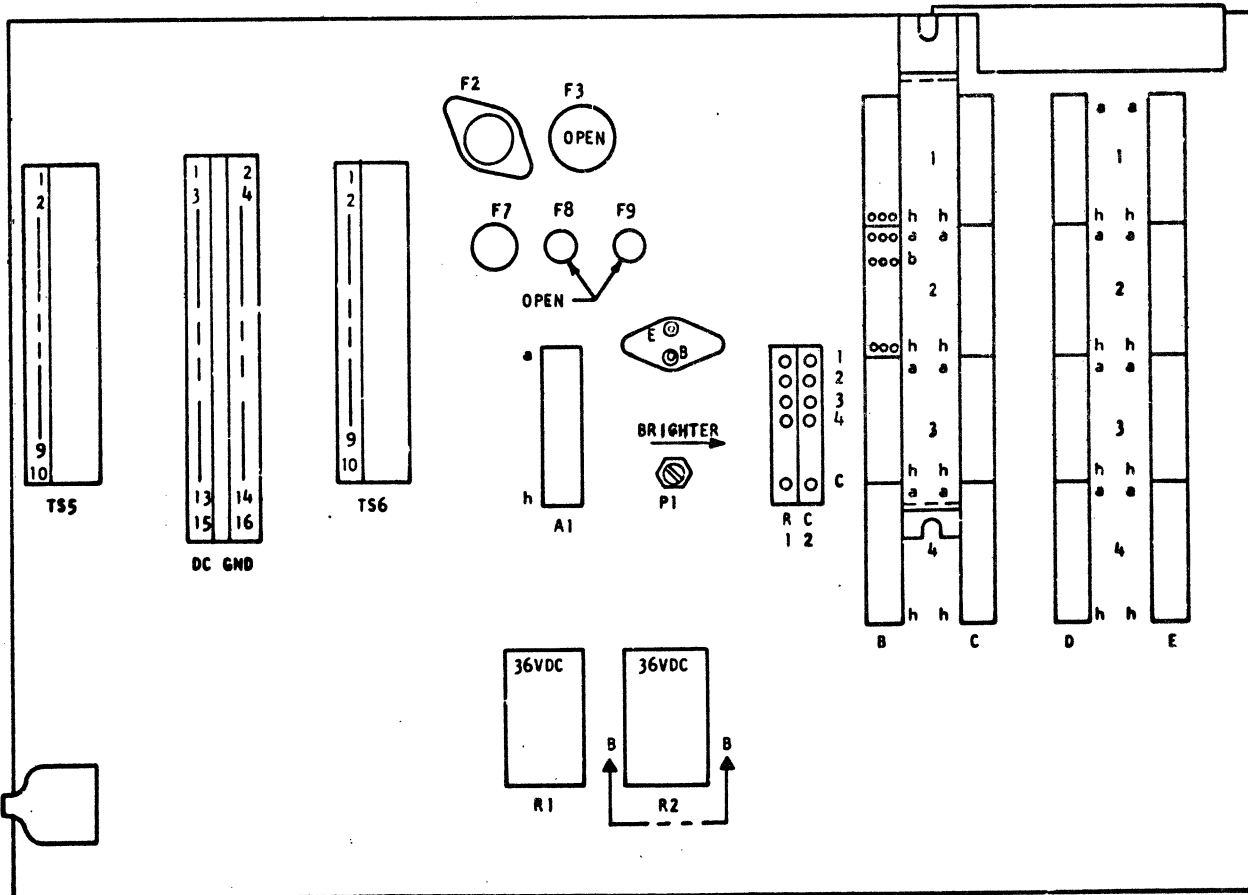
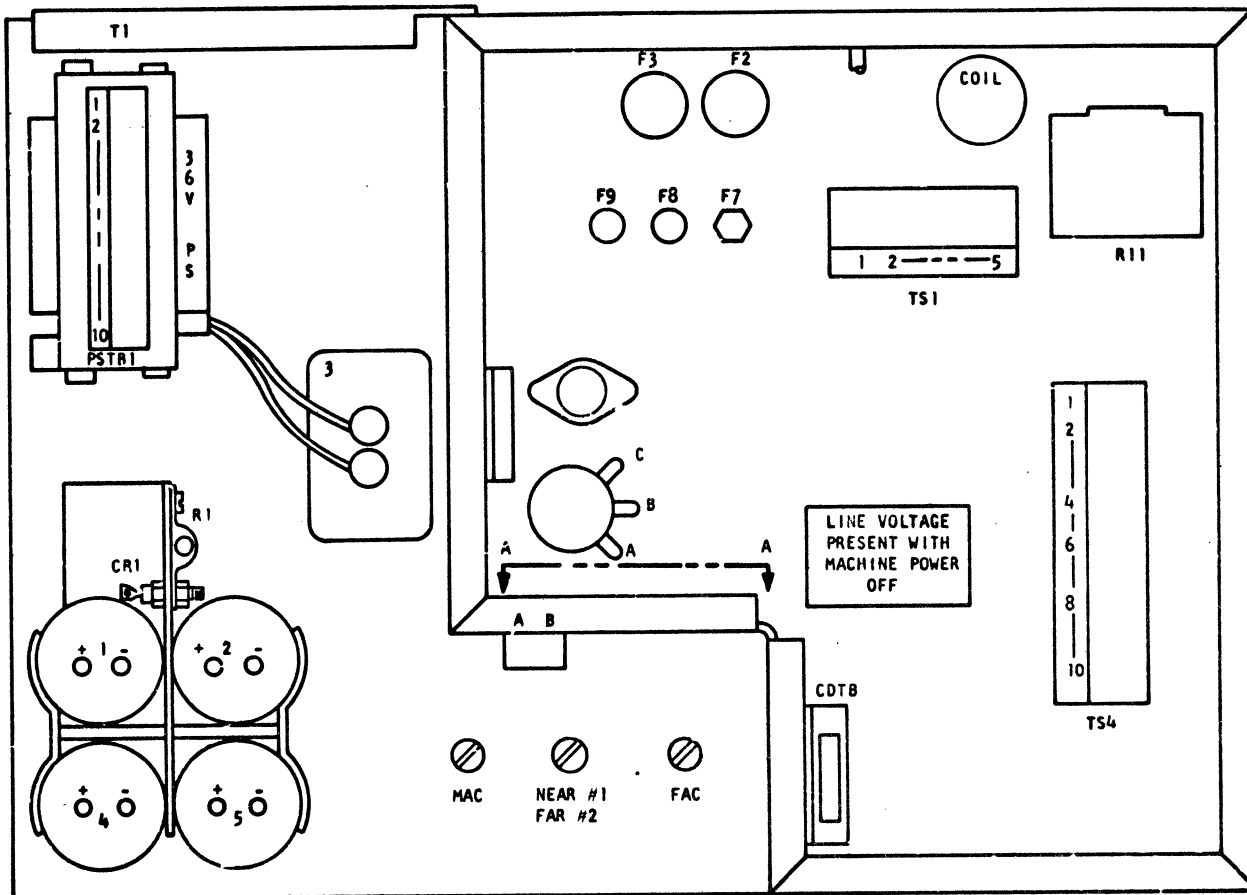
	A	B	C	D	E	F
					SYMB SOV	SYMB SOV
					PADDLE POS	PADDLE POS
23						
				DGU- SOV	DGV- SOV	DHB- SOV
24				370379 04 C2.25.01.1 C2.25.01.1 C2.25.01.1 04	370378 03 C2.25.02.1 C2.25.01.1 C2.25.01.1	370348 06 C2.25.01.1 C2.25.01.1 C2.25.01.1 C2.25.01.1 C2.25.02.1 C2.25.01.1
				DFR- SOV	DFQ- SOV	DFQ- SOV
25				370226 04 C2.25.01.1 C2.25.02.1 C2.25.01.1 04	370225 03 C2.25.01.1 C2.25.01.1 C2.25.01.1	370225 03 C2.25.01.1 C2.25.01.1 C2.25.01.1
				DGH- SOV	DGH- SOV	DFQ- SOV
26				370249 01 C2.25.01.1	370249 01 C2.25.01.1	370225 03 C2.25.01.1 C2.25.01.1 C2.25.02.1
				DGX- SOV	DEF- SOV	DHX- SOV
27				370376 02 C2.25.02.1 C2.25.02.1	370216 04 C2.25.02.1 C2.25.02.1 C2.25.02.1 C2.25.02.1	372192 02 C2.25.02.1 C2.25.02.1
					DGU- SOV	DHX- SOV
28					370379 04 C2.25.02.1 C2.25.02.1 C2.25.02.1 C2.25.02.1	372192 02 C2.25.02.1 C2.25.02.1
					DEF- SOV	DEM- SOV
29					370216 04 C2.25.02.1 C2.25.02.1 C2.25.02.1 C2.25.02.1	370222 01 C2.25.02.1
					DGU- SOV	DHX- SOV
30					370379 04 C2.25.02.1 C2.25.02.1 C2.25.02.1 C2.25.02.1	372192 02 C2.25.02.1 C2.25.02.1
					SYMB SOV	DEM- SOV
31					C2.25.02.1	370222 01 C2.25.02.1



VIEW A-A



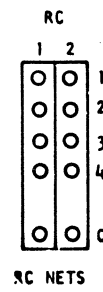
VIEW B-B



POINTS	EDGE CONNECTOR - SEQUENCE PANEL				
	A	B	C	D	E
1a	10			10	
1b	15			10	10
1c	05	10	10	15	15
1d	15		15	15	15
1e	10	10	10		
1f	15	15	05	15	15
1g	15	10	10	15	15
1h	10	15	15	15	15
2a		05	05		
2b		05	05	10	10
2c				15	15
2d		10	10		
2e		10	10	15	15
2f			15		
2g		10	10	15	15
2h		05	05	15	15
3a		10	10	10	10
3b				15	15
3c		15		10	10
3d		10	10	15	15
3e		10	10	10	10
3f				15	15
3g		10		10	10
3h		10	10	05	05
4a		10		10	10
4b					
4c		10	15		15
4d		10	10	15	15
4e				10	10
4f					15
4g		10		15	15
4h				10	10

FUSE	RATING	CIRCUIT	PAGE NO.
F2	8.0A-SLOW BLO	208 VAC MOTOR	C2.06.03.1
F7	1.0A-SLOW BLO	208 VAC (-36VDC)	C2.06.03.1

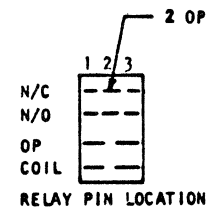
RC NETS	PAGE NUMBER
RC1-1	C2.12.15.1
RC1-2	C2.12.15.1
RC1-3	C2.12.15.1
RC1-4	
RC2-1	C2.12.05.1
RC2-2	C2.12.15.1
RC2-3	C2.12.15.1
RC2-4	



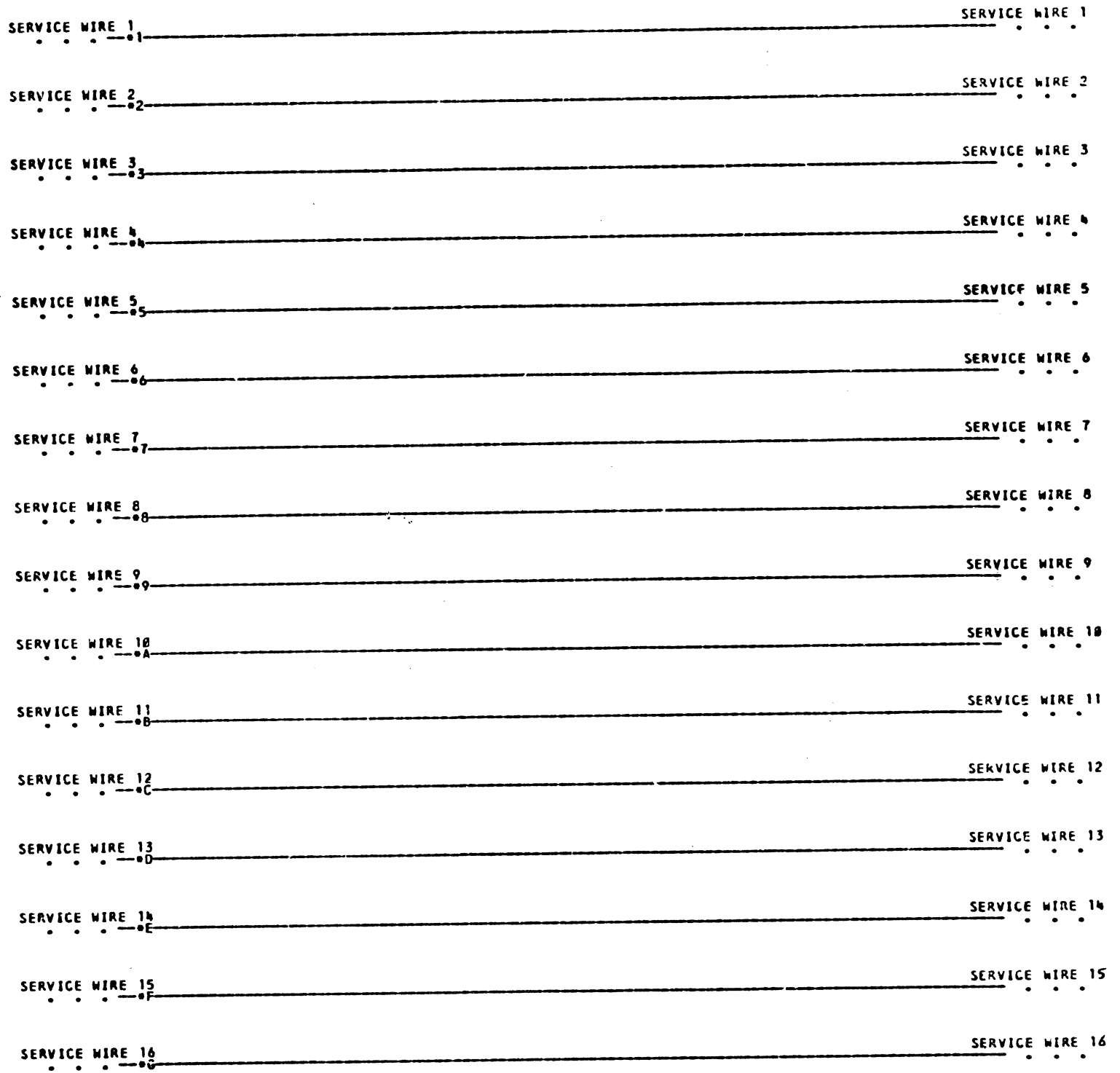
NOTE: ALL POINTS LOCATED ON PAGE C2.12.XX.1 UNLESS OTHERWISE NOTED.

POINTS	TERM STRIPS							
	TS1		TS4	TS5	TS6	TS8	PSTB-1	CDTB
1	C2.12.05.1		C2.06.03.1	C2.06.03.3		C2.12.15.1	C2.12.02.1	
2	C2.12.05.1		C2.06.03.1	C2.06.03.3		C2.12.15.1	C2.12.02.1	
3	C2.12.05.1		C2.06.03.1	C2.06.03.3	C2.06.03.3		C2.12.02.1	C2.32.20.1
4	C2.12.05.1		C2.06.03.1	C2.06.03.3	C2.06.03.3		C2.12.02.1	C2.32.20.1
5	C2.12.05.1		C2.06.03.1	C2.06.03.3	C2.06.03.3		C2.12.02.1	C2.32.20.1
6			C2.06.03.1	C2.06.03.3	C2.06.03.3		C2.12.02.1	C2.32.20.1
7			C2.06.03.1	C2.06.03.3	C2.06.03.3		C2.12.02.1	C2.32.20.1
8				C2.06.03.3	C2.06.03.3			C2.32.20.1
9				C2.06.03.3	C2.06.03.3			C2.32.20.1
10					C2.06.03.3		C2.12.02.1	

RELAY	COIL	CONTACT			NAME
		1	2	3	
1	C2.12.15.1	C2.12.15.1	C2.12.15.1	C2.12.10.1	SPEED
2	C2.12.05.1	C2.12.05.1	C2.12.15.1	C2.12.15.1	MOTOR SEQUENCE
3					
11	C2.12.15.1	C2.12.05.1			MOTOR
RR1	C2.32.20.1	C2.32.20.1			METER



SWITCH	PAGE NO.	
	SIDE A	SIDE B
MOTOR	C2.12.15.1	C2.12.15.1
SECTOR BLOCK IN PLACE	C2.12.15.1	-----
PACK ON	C2.12.15.1	-----
HEADS EXTENDED	C2.12.15.1	-----
OIL PRESSURE	C2.12.15.1	-----
COVER INTERLOCK	C2.12.15.1	-----
INTERMEDIATE	C2.12.15.1	-----



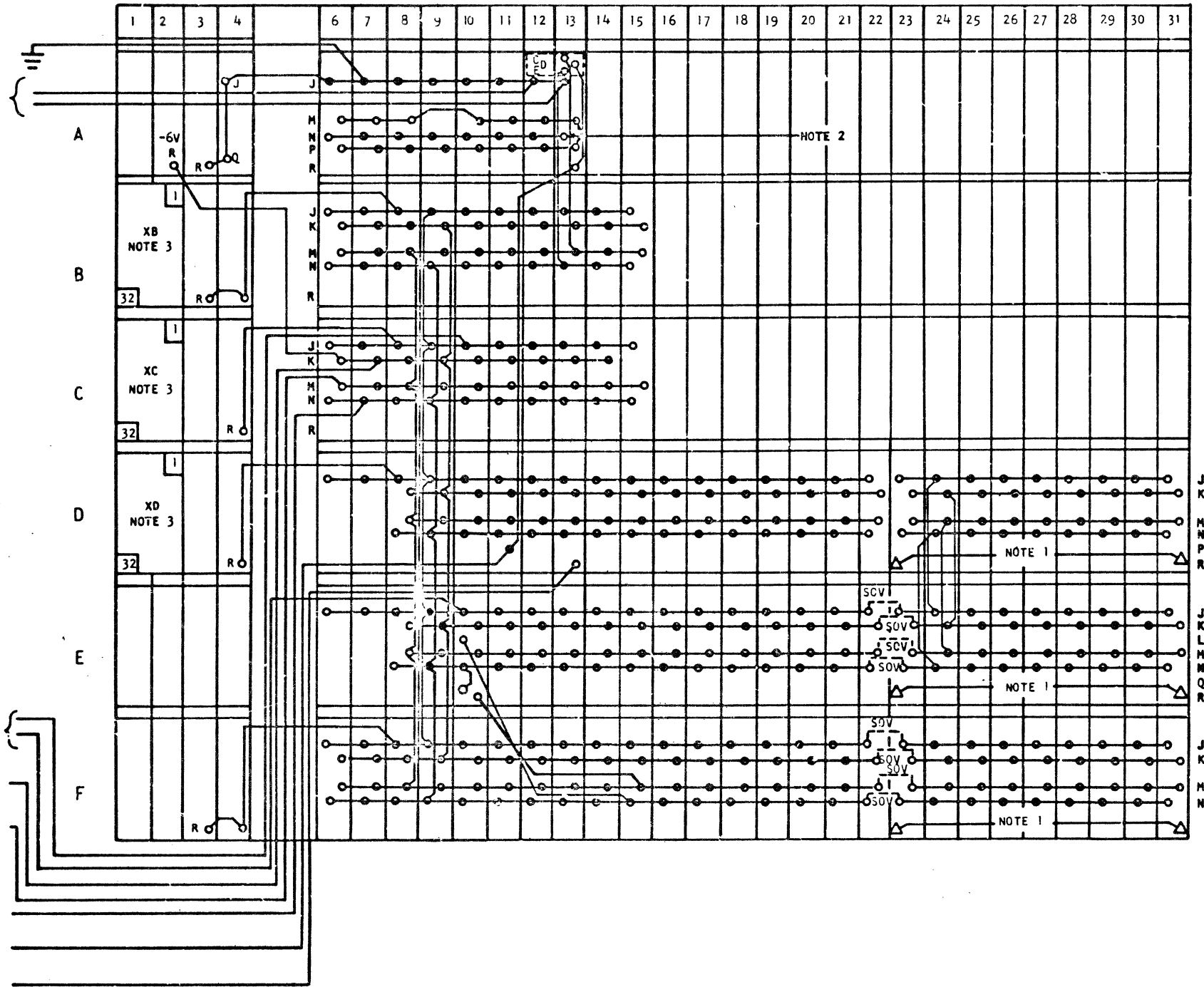
- 1-02B1A03R 02B1A04Q 02B1A05J 02B1A06J •2-02B1B03R 02B1B04R
- 02B1B08J 02B1C04R 02B1C08J 02B1F03R 02B1F04R 02B1F08J
- 5-02B1A08M 02B1A10M 02B1D11P 02B1A13R 02B1A13D •7-02B1B09J
- 02B1C09J 02B1D09J 02B1F09J 02B1F09J 02B1B19K 02B1C09K
- 02B1D09K 02B1E09K 02B1F09K 02B1B08M 02B1C08M 02B1D08M
- 02B1E08M 02B1F08M •A-02B1B09N 02B1C09N 02B1D09N 02B1E09N
- 02B1F09N •B-02B1E10N 02B1L10Q 02B1E10L 02B1F15N •D-02B1E10R
- 02B1F15M •E-02B1D04R 02B1D08J •F-02B1A13C 02B1B13M •C-02B1A13E
- 02B1B13N

E. C. 408302	COMMENTS	TAG DATE	D.A.NO.	TAG DATE	D.A.NO.	TAG DATE	D.A.NO.	TAG DATE	D.A.NO.
		A 04-10-64	2088888						

NOTE 1: ROWS D, E & F COLS 23-31 WIRED ONLY IN SEEK OVERLAP MACHINES. THESE POSITIONS ARE BLANK IN BASIC MACHINES.
 SOV: JUMPER PADDLES INSTALLED IN SEEK OVERLAP MACHINES ONLY
 NOTE 2: THESE THREE VOLTAGES (-12, +12, -36) ARE SUPPLIED THRU FILTER CANS (AVV) LOCATED AT A13.
 NOTE 3: SEE CHART FOR GROUND WIRING OF BISCUIT CONNECTORS
 DA ZD02000

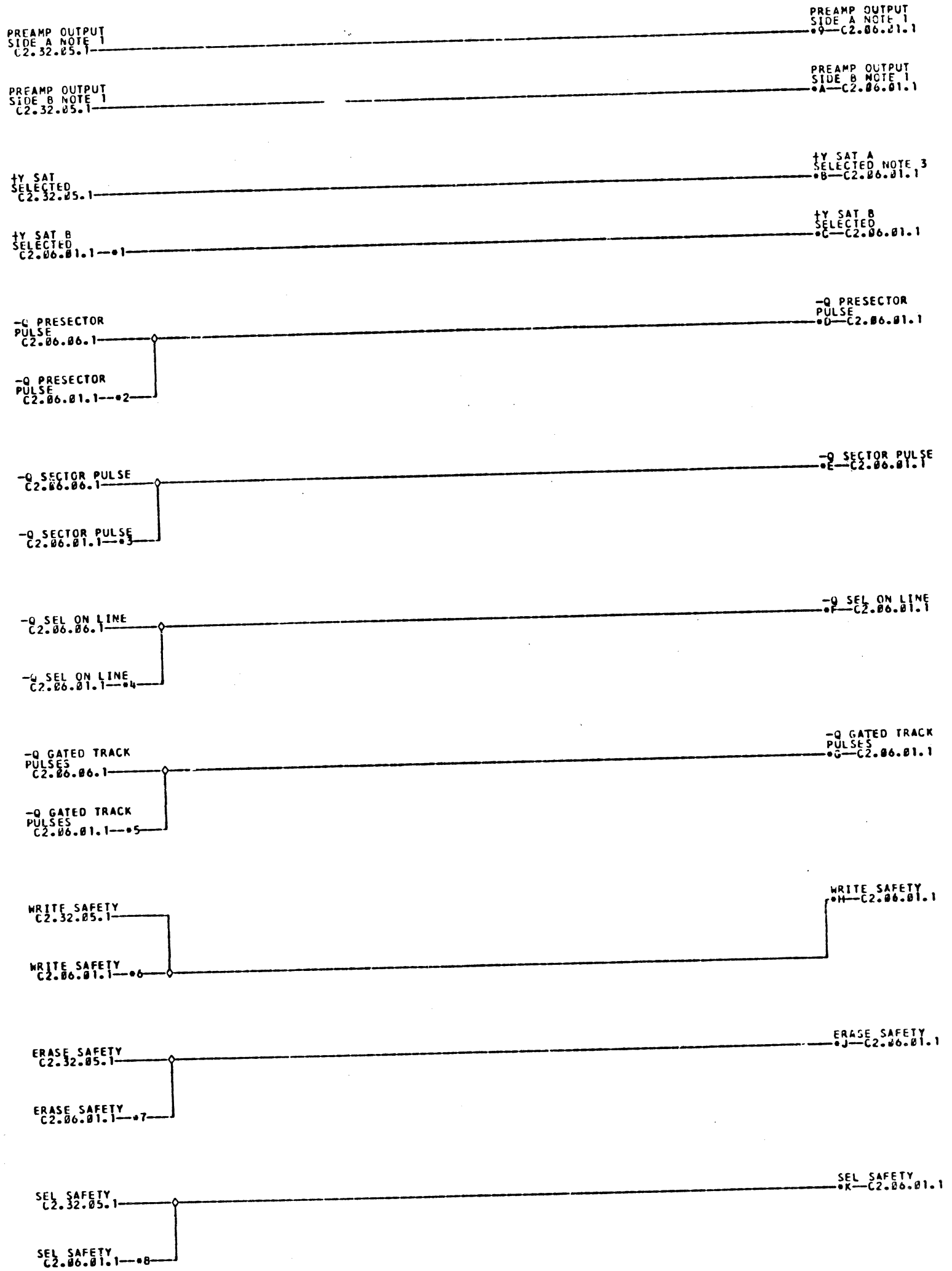
FILE BASEPLATE
 R/W GROUND (R/W GND BUSS)
 C2.06.03.3

DC GROUND
 TS5-4
 C2.06.03.3
 -6V DC
 TS5-9
 C2.06.03.3
 -12V DC
 TS5-6
 C2.06.03.3
 +12V DC
 TS5-8
 C2.06.03.3
 -36V DC R/W
 TS5-5
 C2.06.03.3
 -36V DC
 TS6-3
 C2.06.03.3



BISCUIT CONNECTOR
 T. W. GROUND WIRING
 NOTE 3

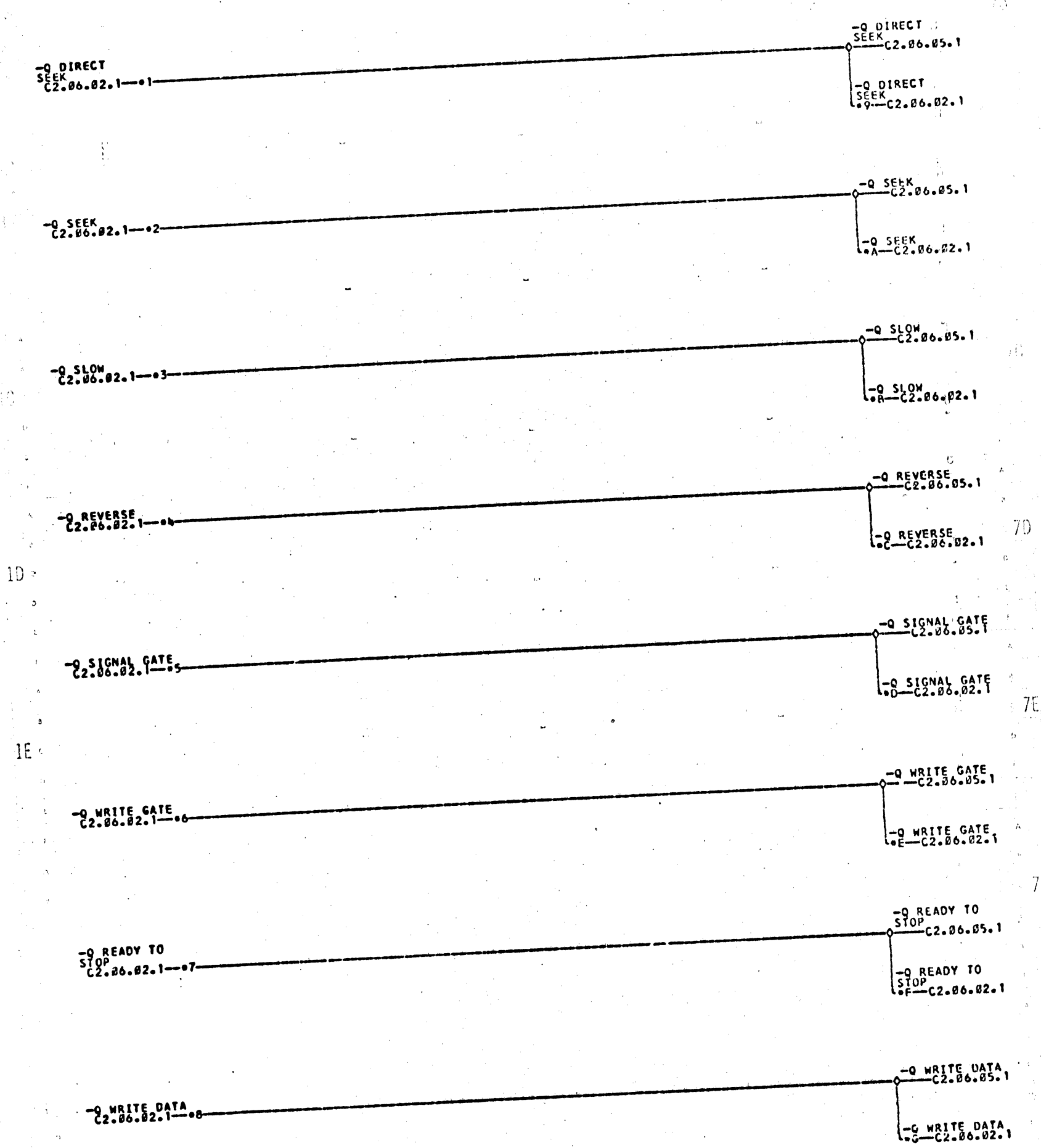
FROM	TO
XB-13, 11, 15	B06J
XB-23, 21, 19, 17	B06J
XB-31, 27, 25, 29	B07J
XC-3, 7, 5, 1	C06J
XC-9, 13, 11, 15	C06J
XC-23, 21, 19, 17	C07J
XC-31, 27, 25, 29	C07J
XD-3, 7, 5, 1	D06J
XD-9, 13, 11, 15	D06J
XD-23, 21, 19, 17	D07J
XD-31, 27, 25, 29	D07J



- 1--02B1XB2B •2--02B1XD26 •3--02B1XD28 •4--02B1XD24 •5--02B1XD22 •6--02B1XB28
- 7--02B1XB18 •8--02B1XR22 •9--02B1AB4R •A--02B1A04H •B--02B1B04D •C--02B1B04E
- D--02B1D04L •E--02B1D04M •F--02B1D04K •G--02B1D04J •H--02B1B04A •J--02B1B04B
- K--02B1B04C

COMMENTS
 E. C. 408302
 NOTE 1 COAX CONDUCTOR
 NOTE 3 BECOMES SAT B SELECTED
 FOR SAT 3 OR 4.

TAG DATE	D.A.NO.	TAG DATE	D.A.NO.	TAG DATE	D.A.NO.	TAG DATE	D.A.NO.
A 04-24-64	2000000						



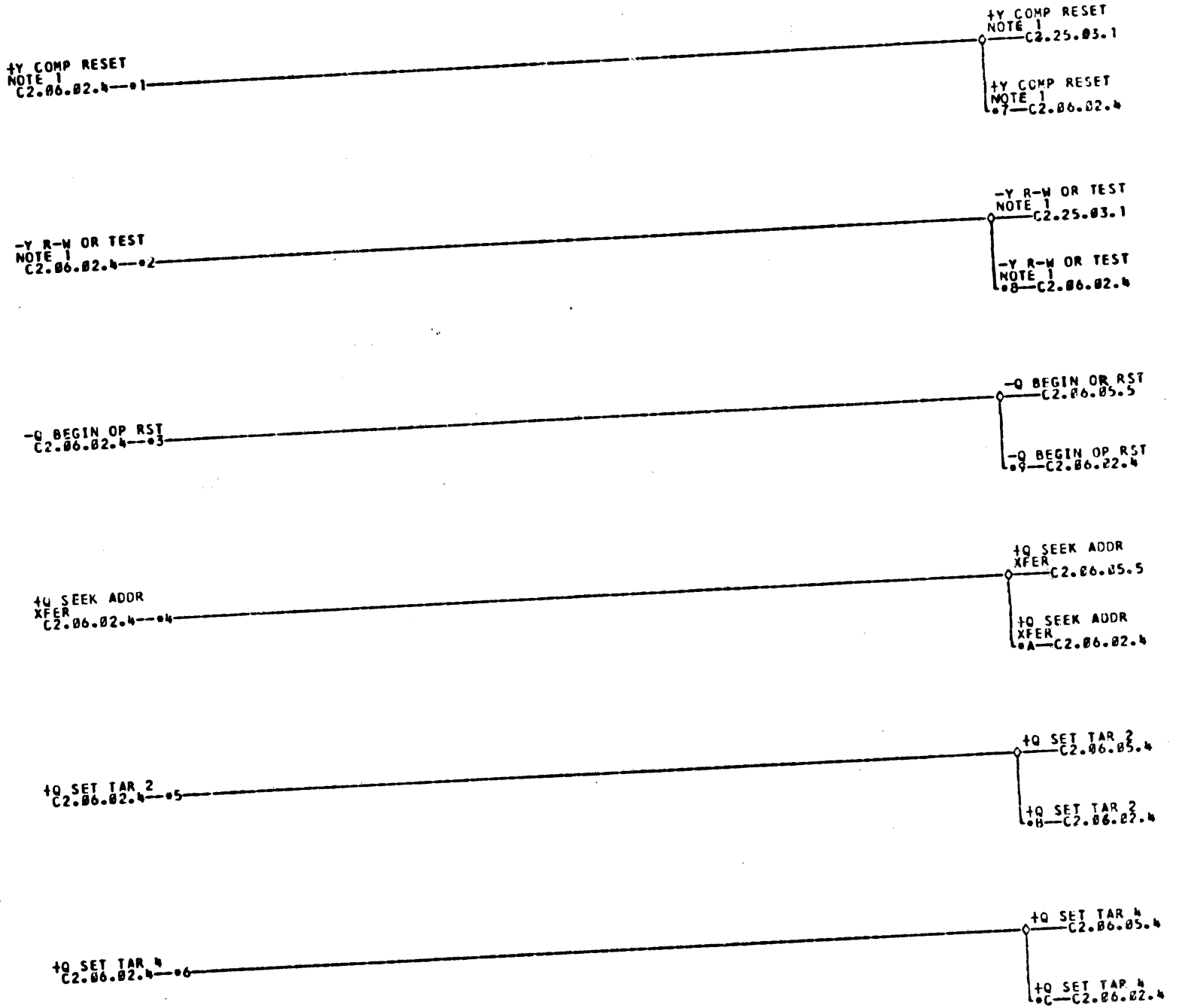
1D
1E

7D
7E
7F
7G

- 1--0281004A
- 2--0281004C
- 3--0281004D
- 4--0281004A
- 5--0281004H
- 6--0281004G
- 7--0281004E
- 8--0281004F
- 9--0281002B
- A--0281001A
- B--0281001B
- C--0281001A
- D--0281003B
- E--0281003B
- F--0281002B
- G--0281000A

E. C. 408302

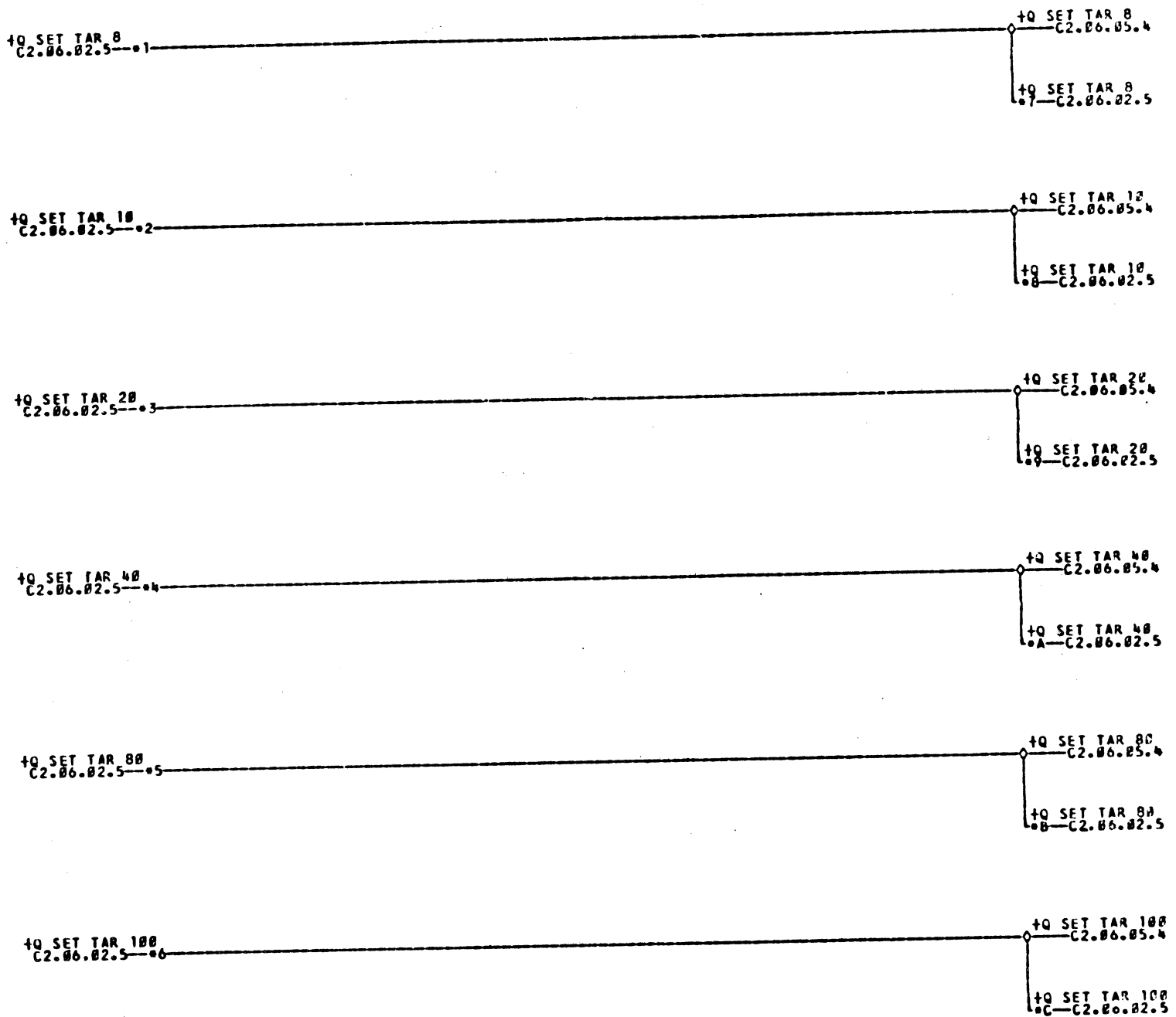
COMMENTS	TAG DATE	D.A.NO.	TAG DATE	D.A.NO.	TAG DATE	D.A.NO.	TAG DATE	D.A.NO.
	A 04-16-64	2000000						



- *1-02B1C04M
*7-02B1XC32
- *2-02B1C04N
*8-02B1XC30
- *3-02B1C04L
*9-02B1XC18
- *4-02B1C04K
*A-02B1XC24
- *5-02B1C04A
*B-02B1XC02
- *6-02B1C04B
*C-02B1XC04

E. C. #08302
 NOTE 1 SEEK COMPLETE FEATURE. USED ONLY WITH MOD 5 MASTERS.

COMMENTS	TAG DATE	D.A.NO.	TAG DATE	D.A.NO.	TAG DATE	D.A.NO.	TAG DATE	D.A.NO.
	A 04-16-64	2000000						



NOTE 3
 DRVR
 ...
 02BA
 1F16
 SYMB
 05
 2H

NOTE 3
 DRVR
 ...
 02BA
 1F1B
 SYMB
 05
 3H

NOTE 4
 R+S
 ...
 02BA
 1F09
 SYMB
 05
 4H

NOTE 4
 R+S
 ...
 02BA
 1F10
 SYMB
 05
 5H

NOTE 4
 AID
 ...
 02BA
 1A12
 SYMB
 05
 6H

NOTE 5
 JUM
 SOV
 ...
 02BA
 1E22
 SYMB
 05
 2J

NOTE 5
 JUM
 SOV
 ...
 02BA
 1F22
 SYMB
 05
 3J

01-02B1C04C
 07-02B1XC06

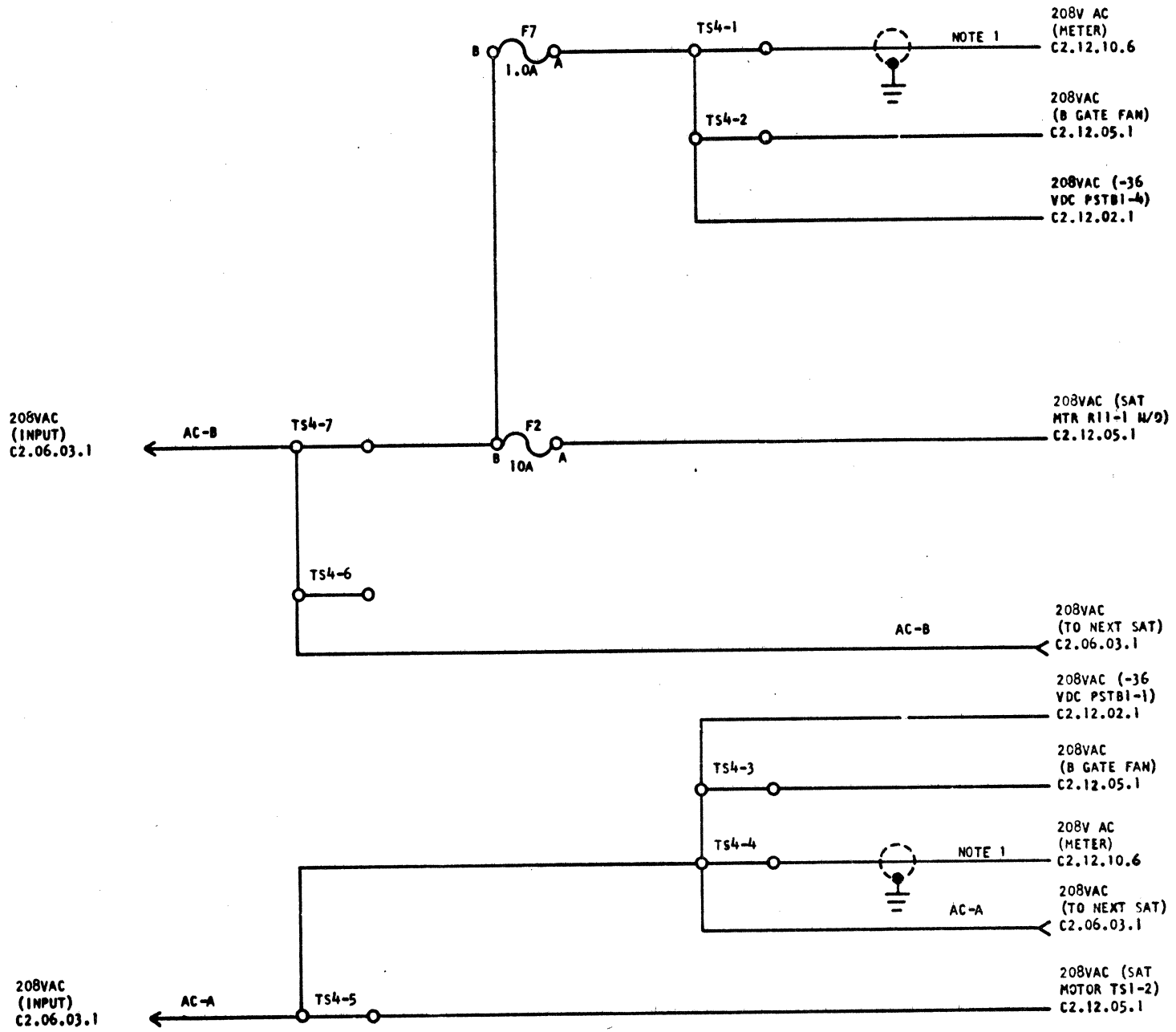
02-02B1C04D
 08-02B1XC08

03-02B1C04E
 09-02B1XC10

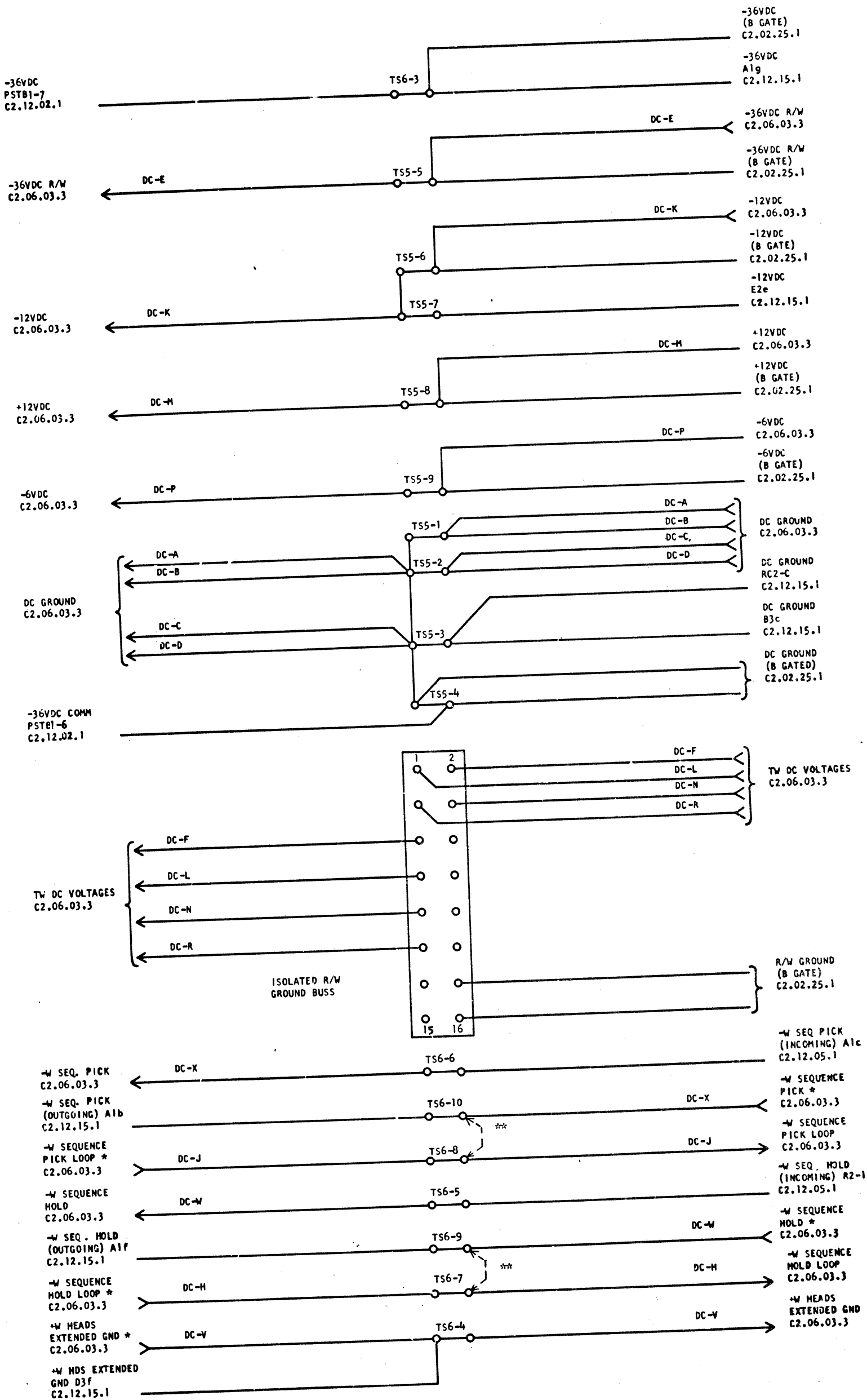
04-02B1C04F
 0A-02B1XC12

05-02B1C04G
 0B-02B1XC14

06-02B1C04H
 0C-02B1XC16

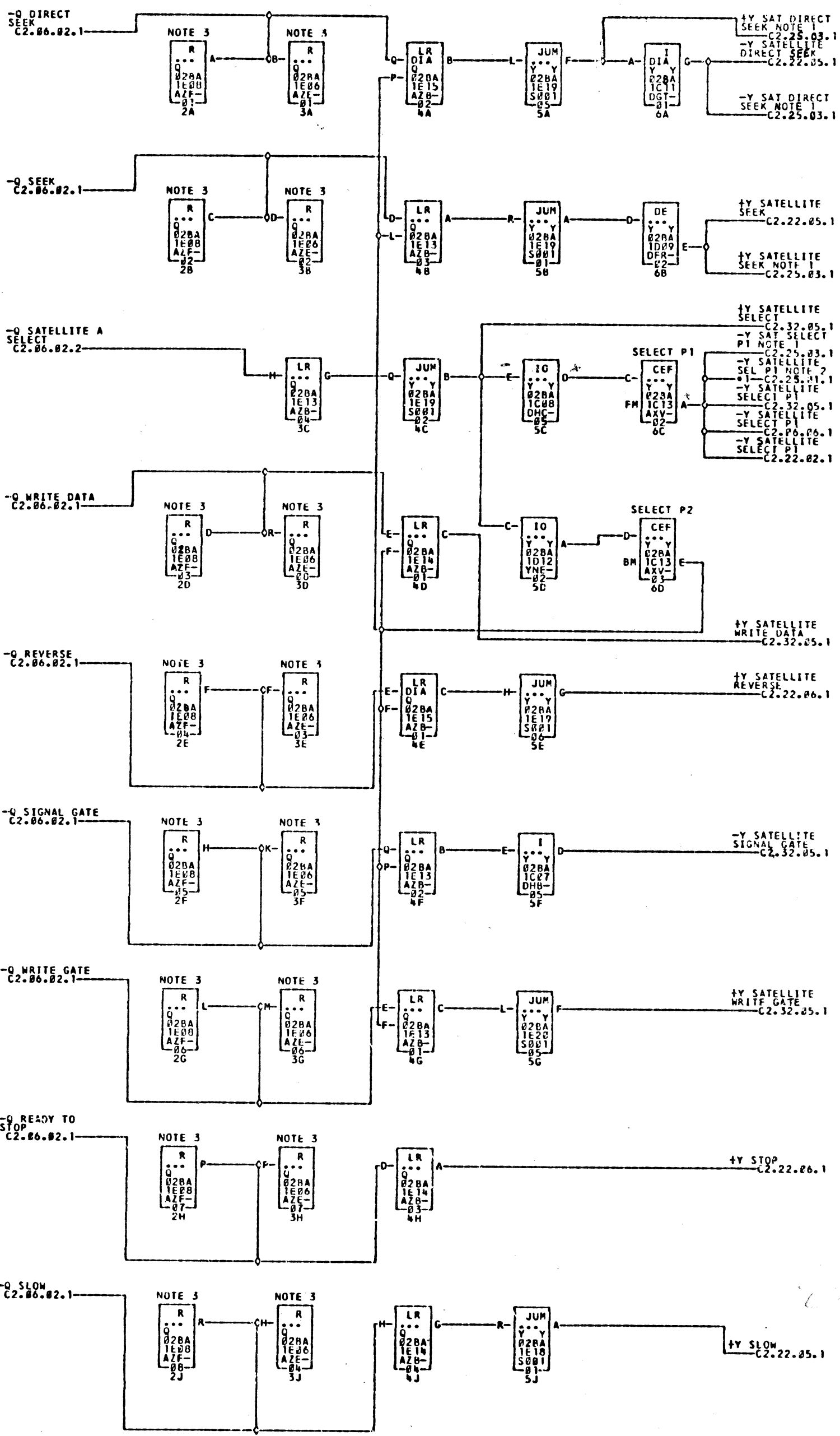


NOTE 1: R/S METER LINE

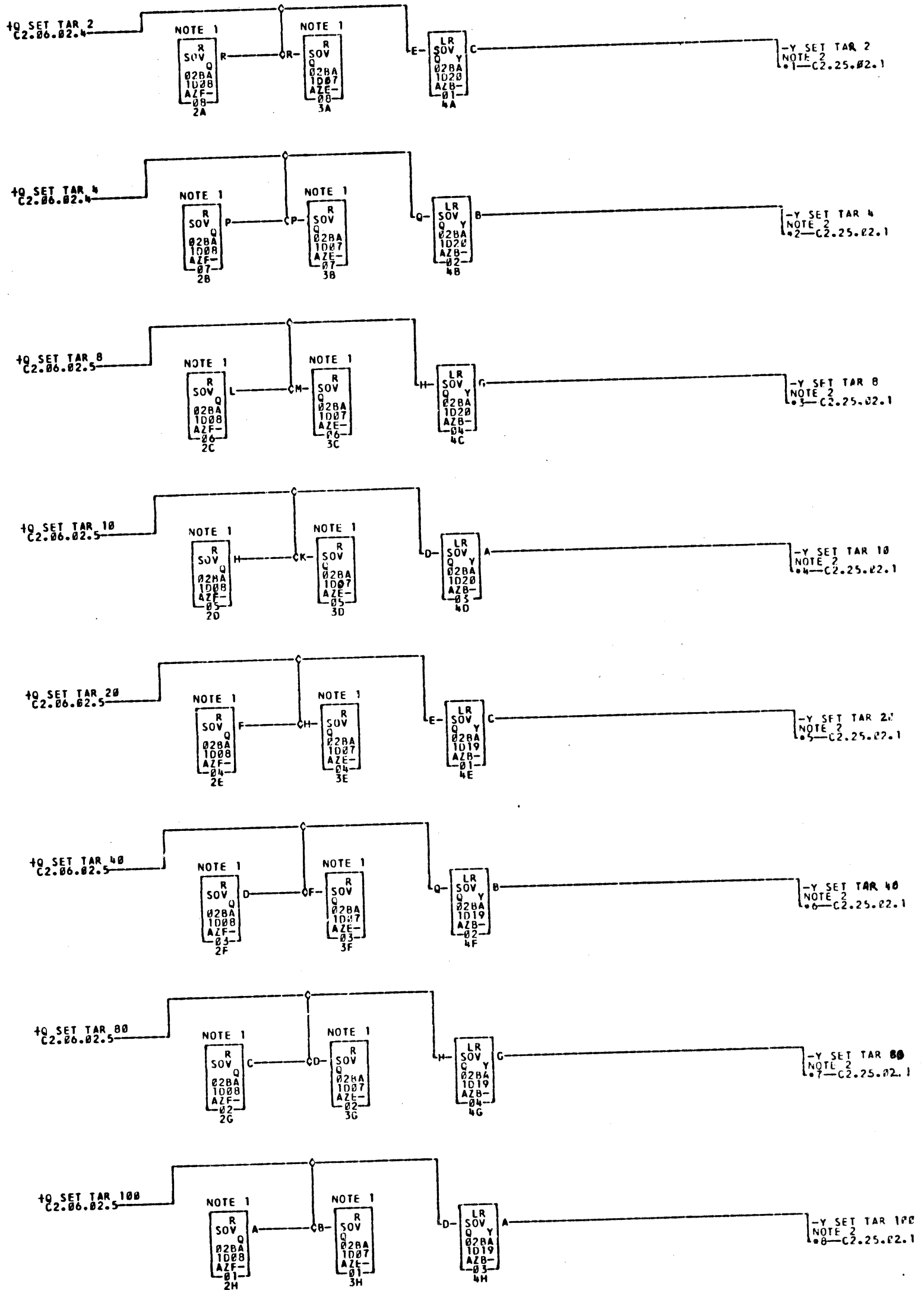


* NOTE: NO CABLE PLUGGED INTO END SATELLITES.
 ** NOTE: JUMPERS INSTALLED ON END SATELLITE #1 OR #3 ONLY.
 THIS COMPLETES END SATELLITE LOOP.

Pick R-2



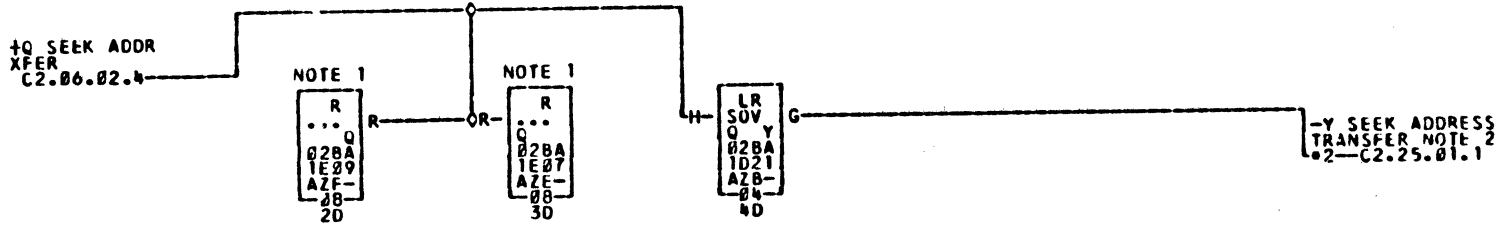
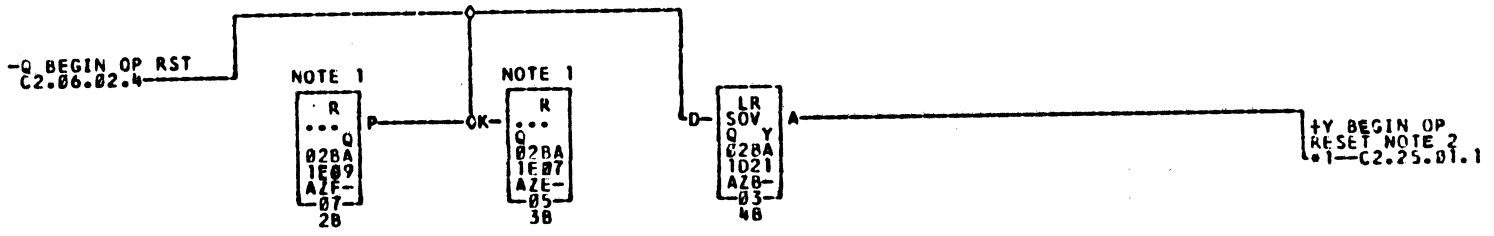
*1---0281F22E



- 1—02B1E22A
- 2—02B1E22B
- 3—02B1E22C
- 4—02B1E22D
- 5—02B1E22E
- 6—02B1E22F
- 7—02B1E22G
- 8—02B1E22H

E. C. 408302
 NOTE 1 LINE TERMINATORS INSTALLED IN SPECIFIC SATELLITES ONLY SEE INSTALLATION PROCEDURE IN ILO LOGICS
 NOTE 2 SOV WIRING TO BASIC "AMEL"

TAG DATE	D.A.NO.	TAG DATE	D.A.NO.	TAG DATE	D.A.NO.	TAG DATE	D.A.NO.
A 02-18-64	2000000						

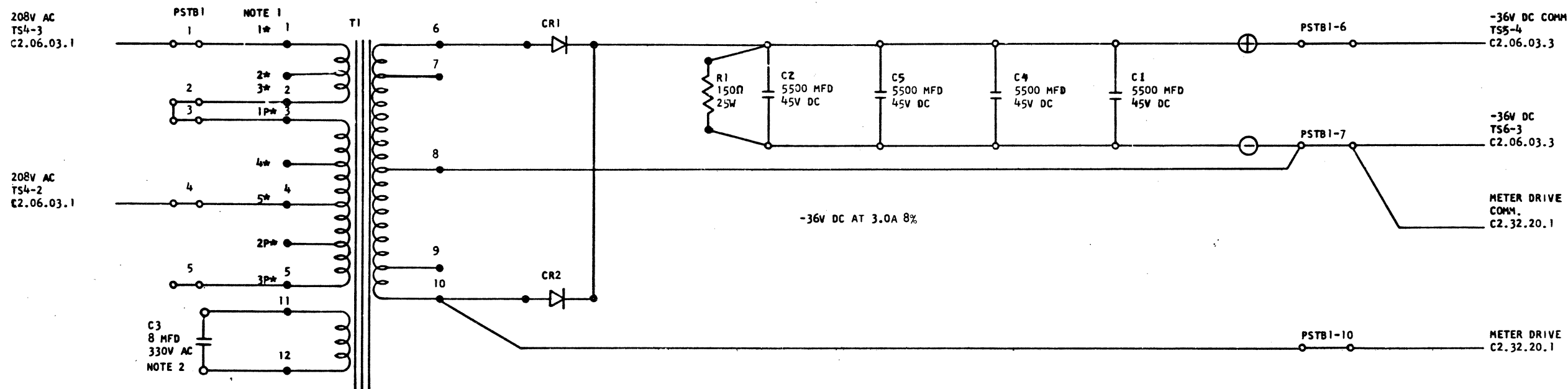


*1-02B1E22Q

*2-02B1E22R

COMMENTS
 E. C. 408302
 NOTE 1. LINE TERMINATORS INSTALLED
 IN SPECIFIC SATELLITES ONLY. SEE
 INSTALLATION PROCEDURE.
 NOTE 2 WIRED IN SEEK OVERLAP MACHINES
 ONLY

TAG DATE	D.A.NO.	TAG DATE	D.A.NO.	TAG DATE	D.A.NO.	TAG DATE	D.A.NO.
A 01-28-64	2000000						

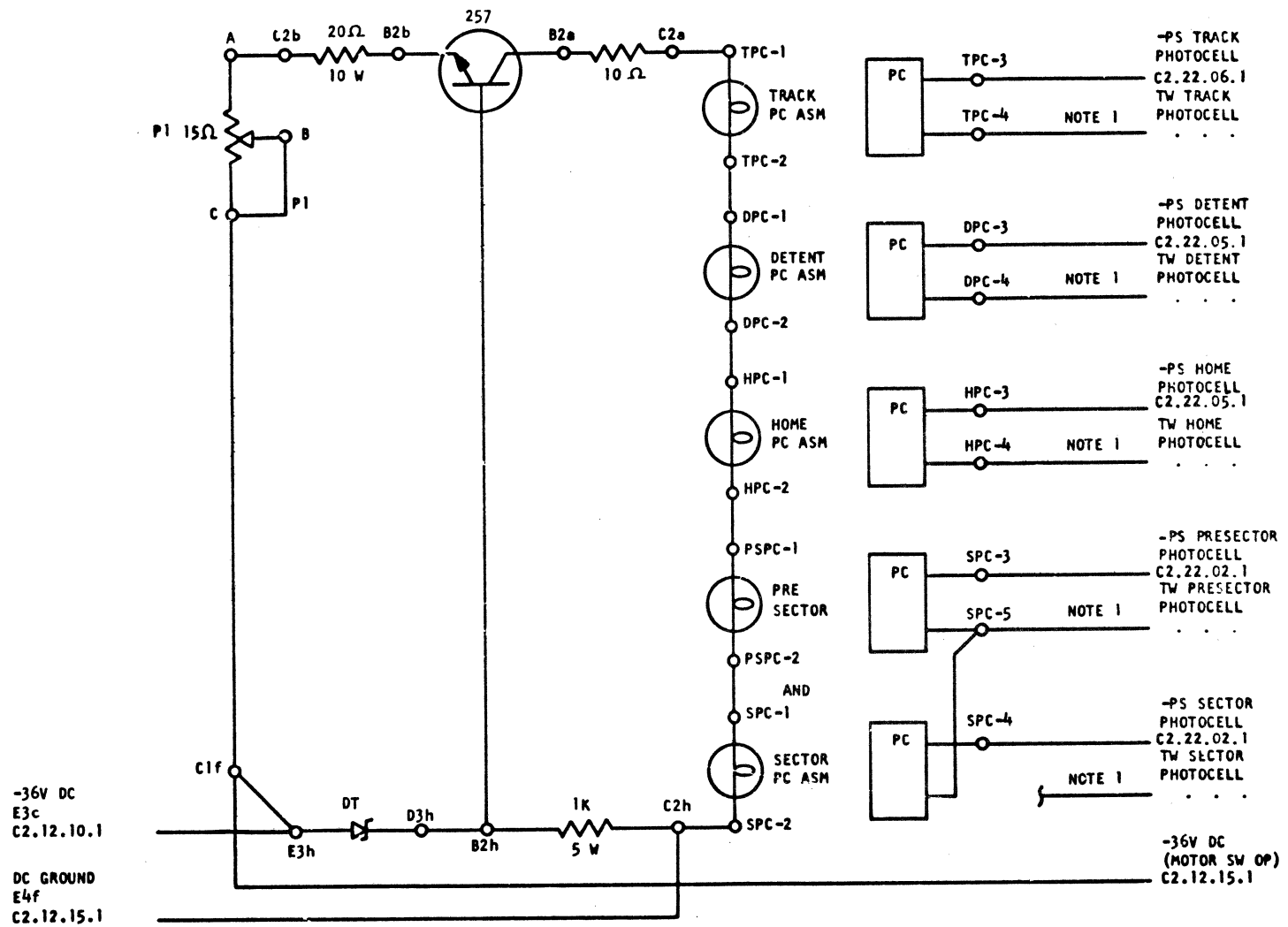
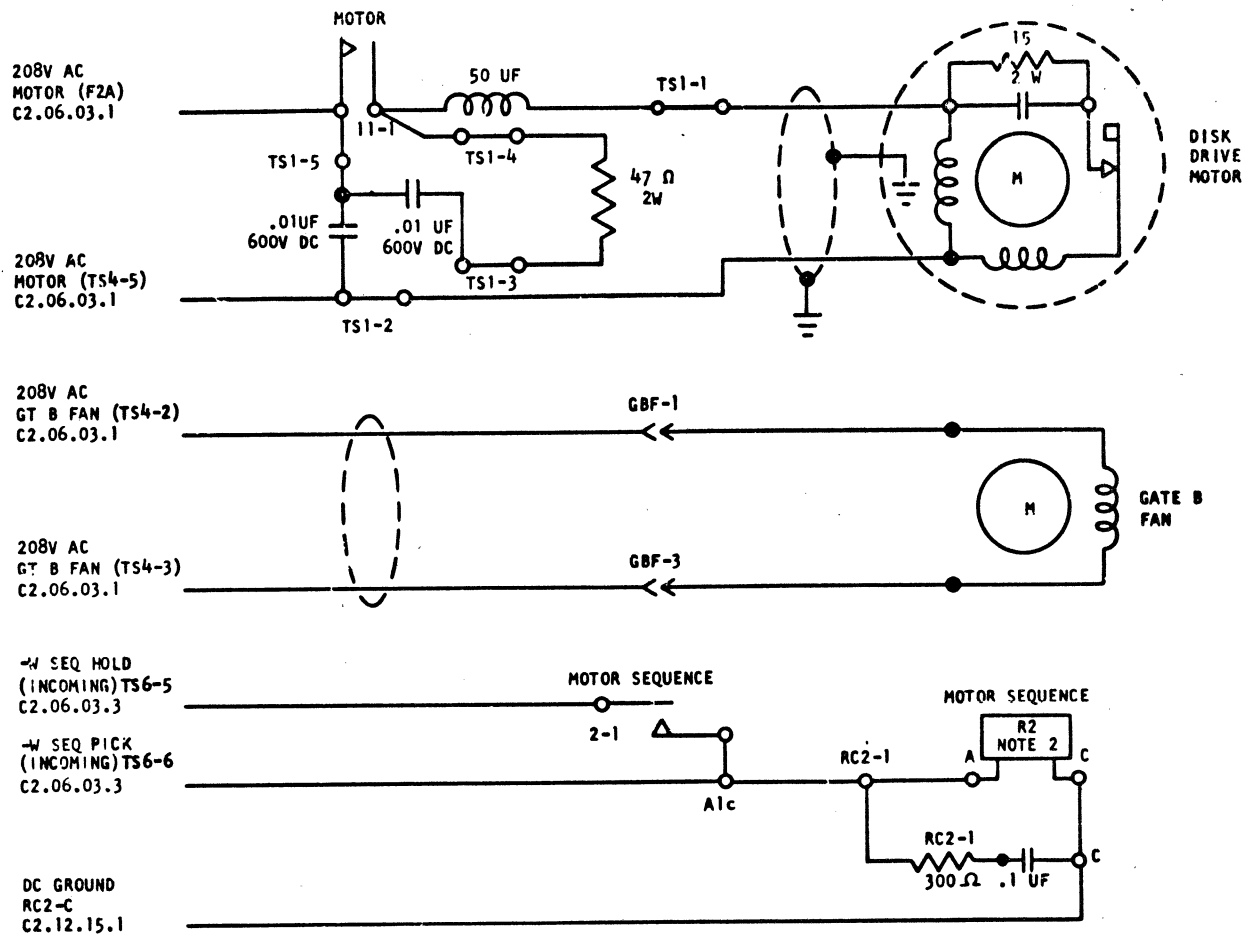


T1-WIRING CONNECTIONS

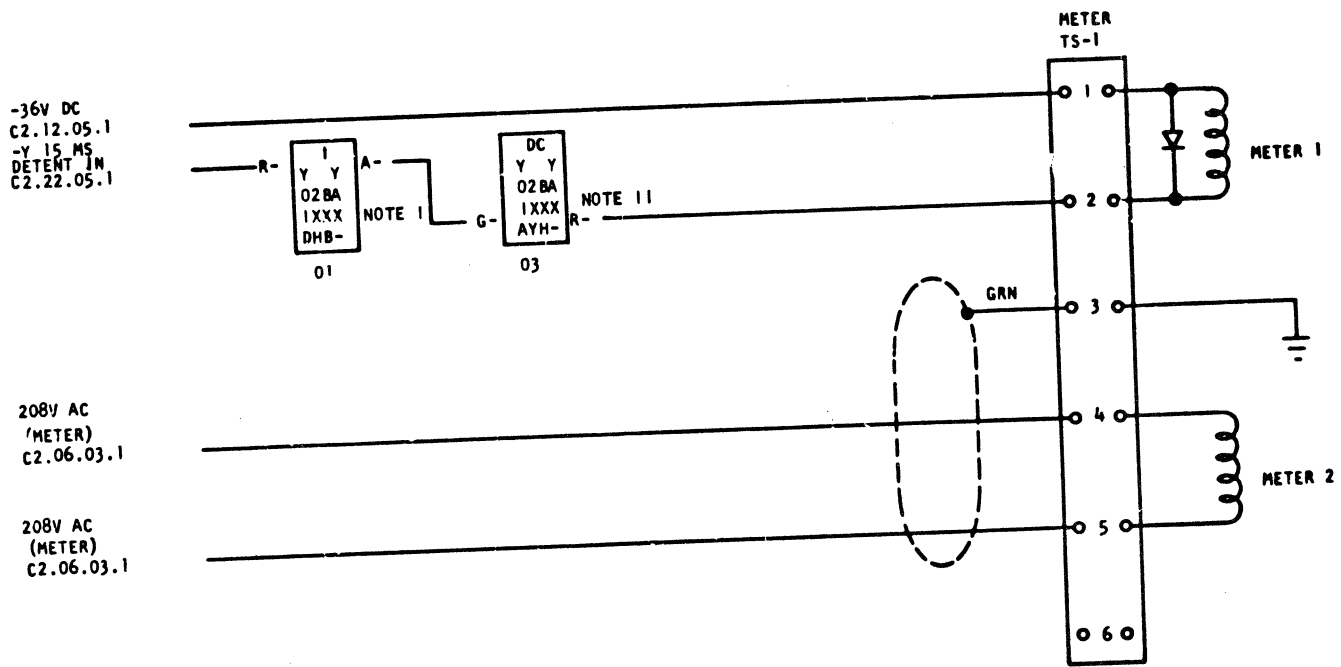
	VOLTAGE	FROM TS4	VIA PSTBI	TO XMFR
60	208V	3	1	1
		2	4	4
	230V	3	1	1
		2	5	5
50	195V	3	1	1*
		2	NOTE	4*
	220V	3	1	1*
		2	4	5*
	235V	3	NOTE	2*
		2	5	3P*

NOTE - USE PSTBI-1 OR 4 AND REWIRE TO CORRECT TRANSFORMER TERMINALS.

NOTE 1: TERMINAL NUMBERS FOLLOWED BY AN ASTERISK (*) ARE FOR 50 CYCLE TRANSFORMER
 2: CAPACITOR IS 10MFD 330VAC ON 50 CYCLE MACHINES.



NOTE 1: TWISTED PAIR WIRE. PC REFERENCE -6V DC. C2.22.02.1
 NOTE 2: OPERATED BY ISOLATED -36V DC FROM PREVIOUS FILE.



	"B" SUFFIX	"C" SUFFIX	"D" SUFFIX
NOTE I	B1F09	B1F12	B1F09
NOTE II	B1F10	B1E13	B1F10

DC GROUND
B3c
C2.12.15.1

+W MOTOR ON SW
E1c
C2.12.15.1

+W FORWARD
SOLENOID
C2.22.06.1

+W HOLD FORWARD
SOLENOID
C2.22.06.1

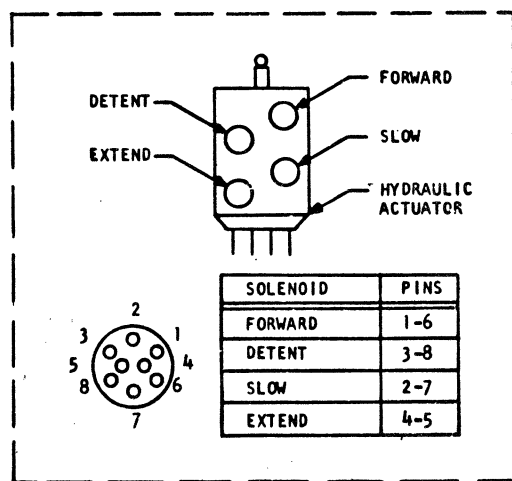
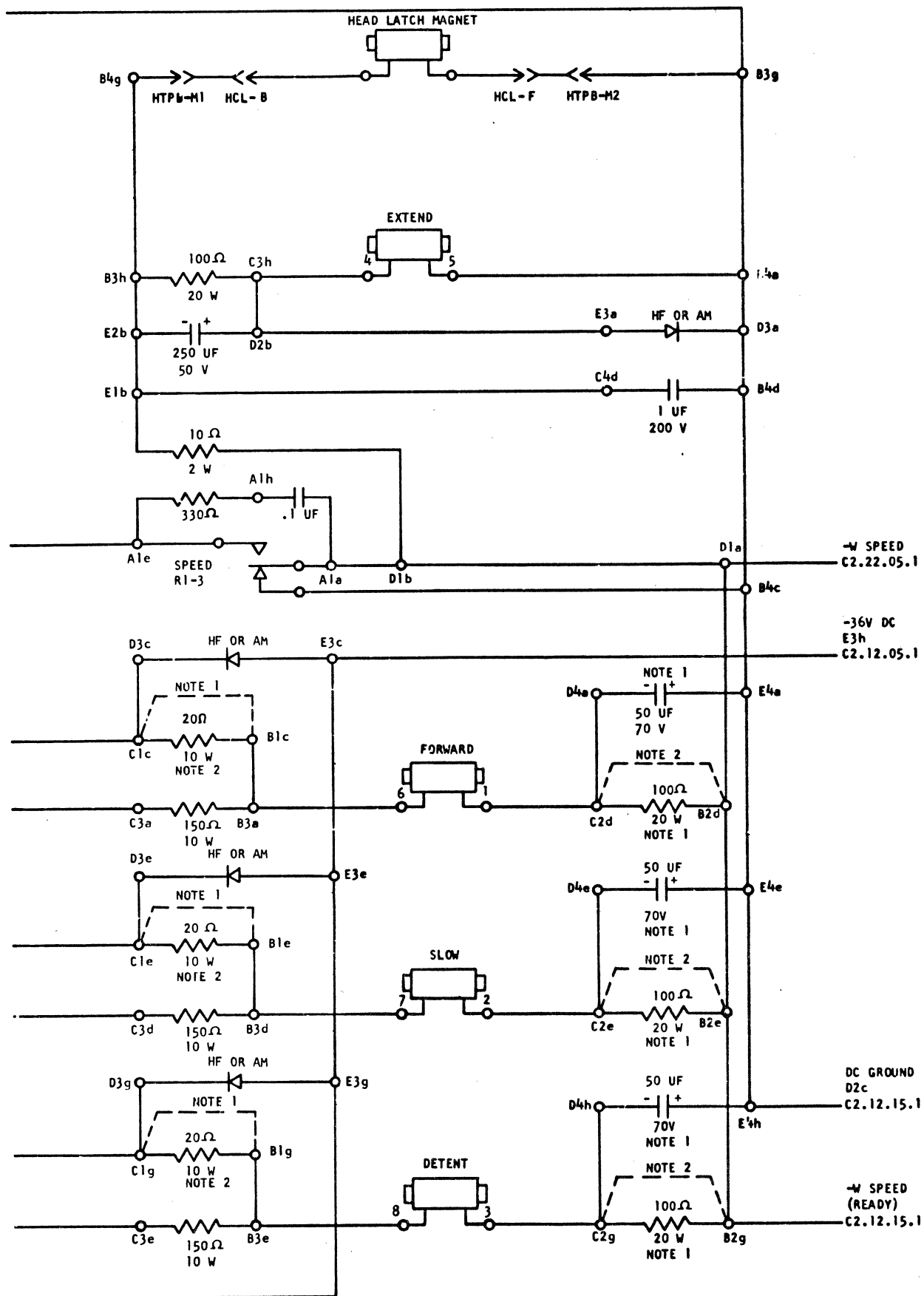
+W SLOW
SOLENOID
C2.22.06.1

+W HOLD SLOW
SOLENOID
C2.22.06.1

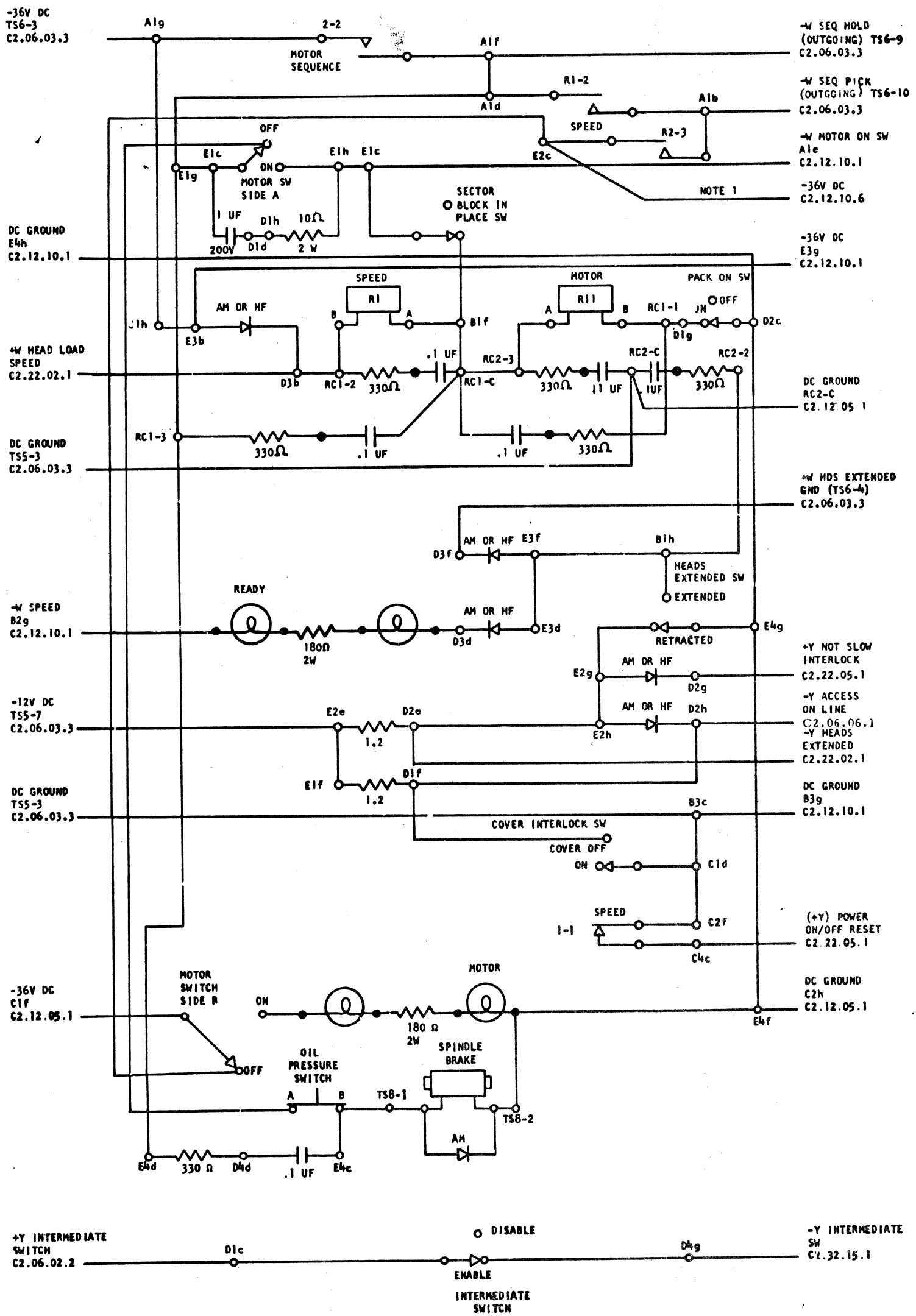
+W DETENT
SOLENOID
C2.22.06.1

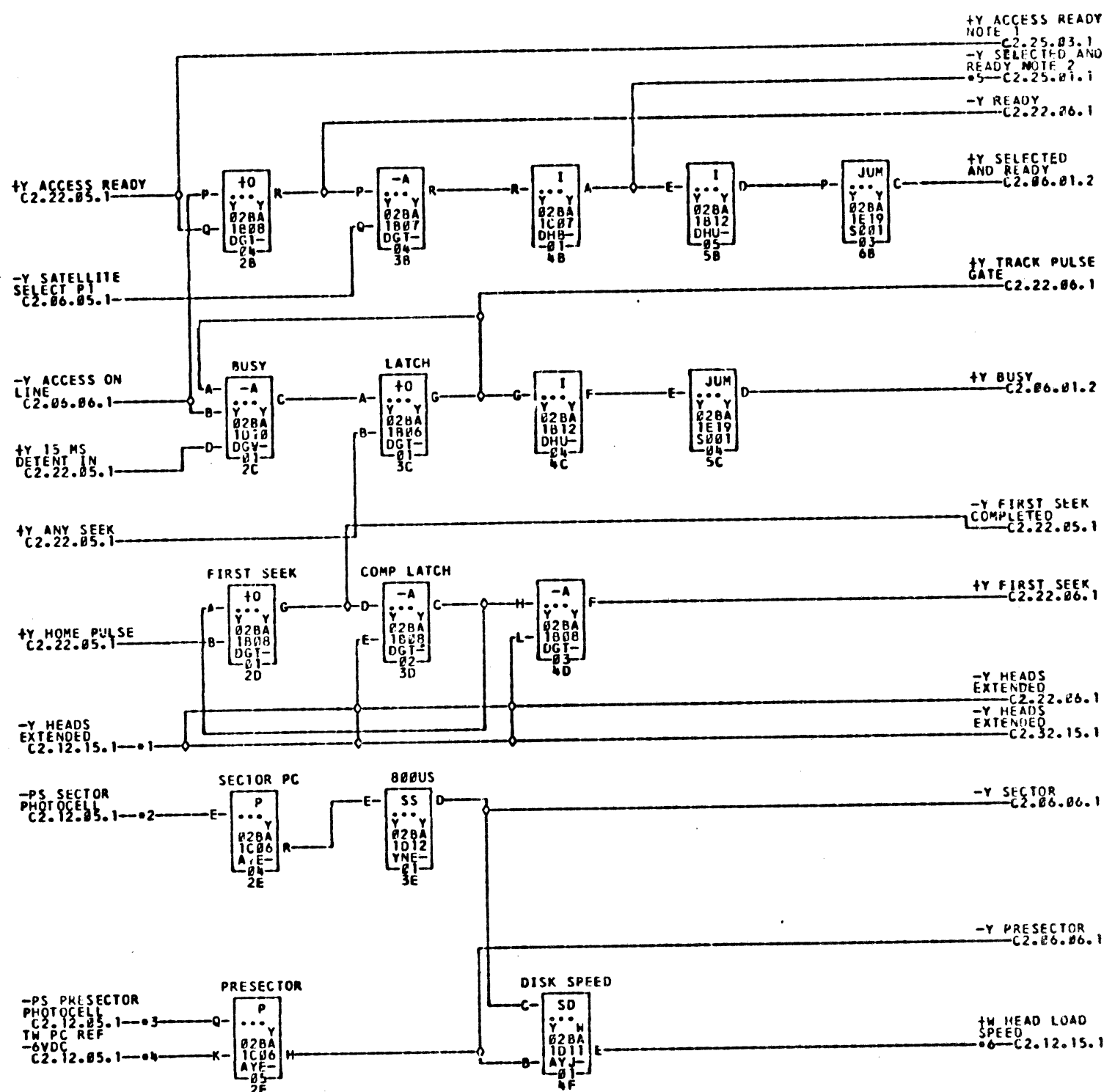
+W HOLD DETENT
SOLENOID
C2.22.06.1

-36V DC
E3b
C2.12.15.1



NOTE 1: REMOVE FOR DIRECT ACCESS FEATURE.
NOTE 2: ADD FOR DIRECT ACCESS FEATURE.





- 1--02B1F03D
- 2--02B1A02M
- 3--02B1A02L
- 4--02B1A02R
- 5--02B1F22F
- 6--02B1F04G

E. C. 408302 COMMENTS TAG DATE D.A.NO. TAG DATE D.A.NO. TAG DATE D.A.NO. TAG DATE D.A.NO.

NOTE 1 ANY SEEK COMPLETE FEATURE A 04-10-64 2000000

APPLIES TO SATELLITES USED WITH MOD 5

MASTERS ONLY NOTE 2 THIS WIRING IN SEEK

OVERLAP MACHINES ONLY

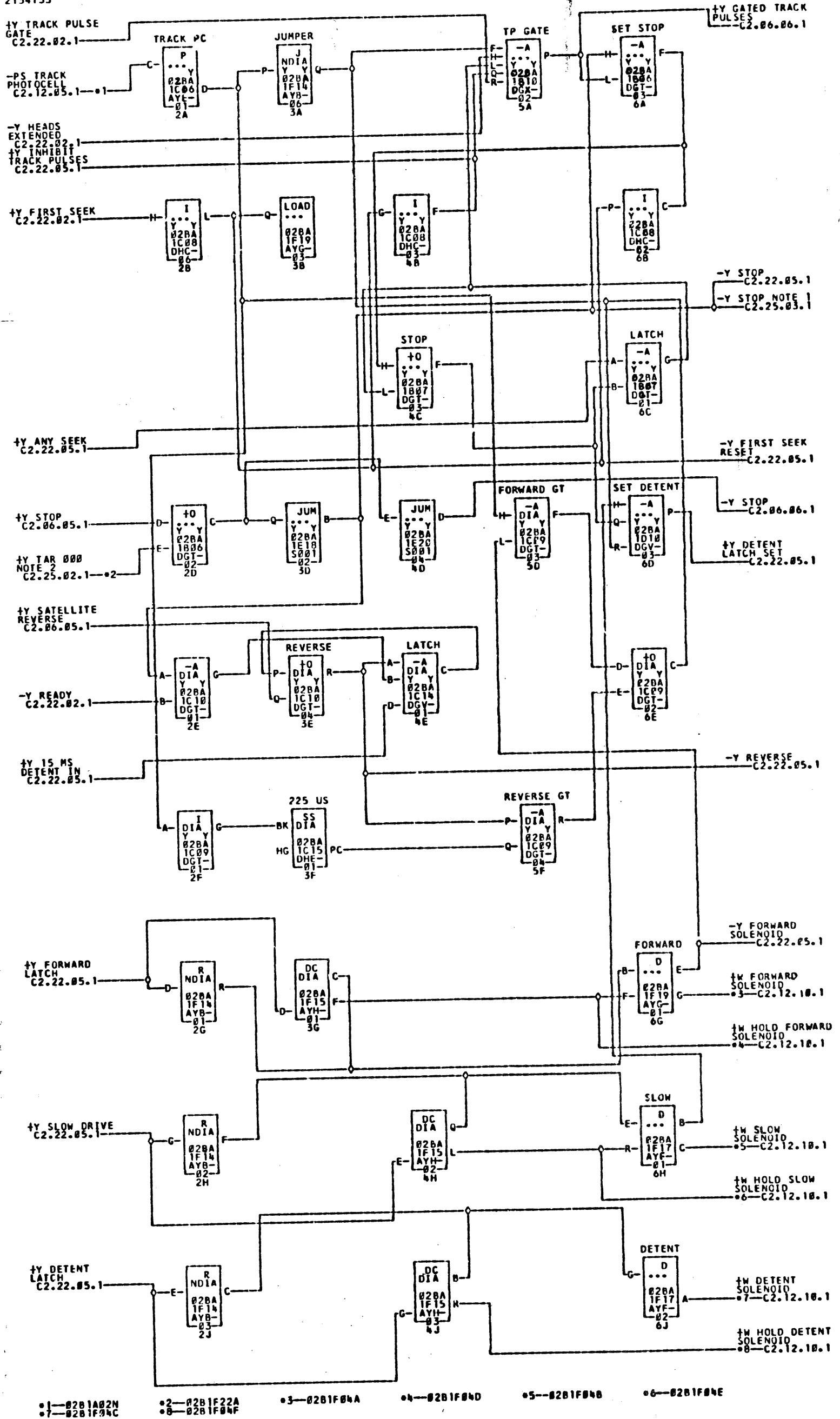
NOTE 3 INDEX ON #2B1D11F

2154733

ACCESSING LOGIC

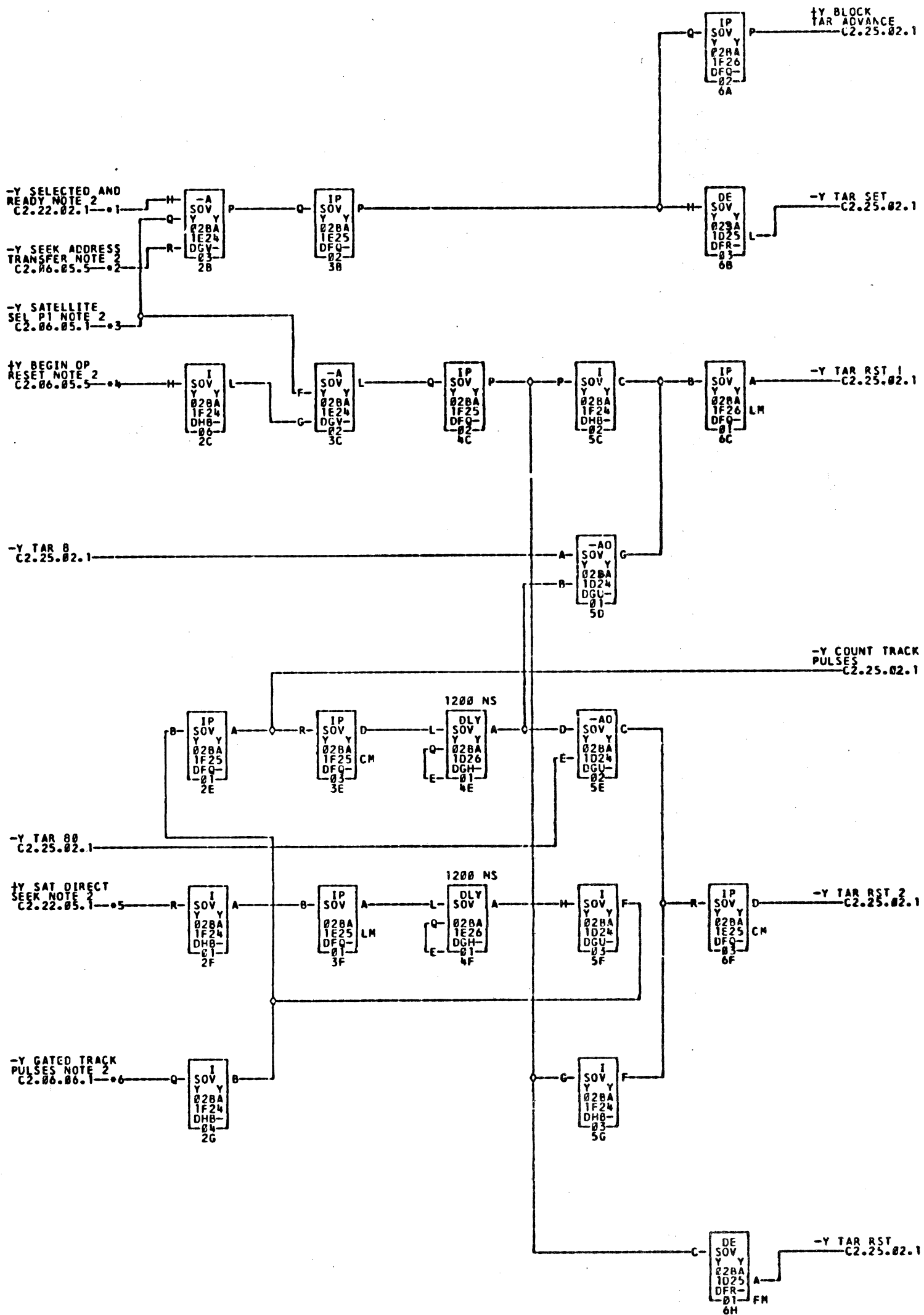
1311-2

C2.22.06.1



COMMENTS
 E. C. 488302
 NOTE 1 ANY SEEK COMP FEATURE APPLIES TO SATELLITES USED WITH MOD 5 MASTERS ONLY.
 NOTE 2 THIS WIRING IN SEEK OVERLAP MACHINES ONLY

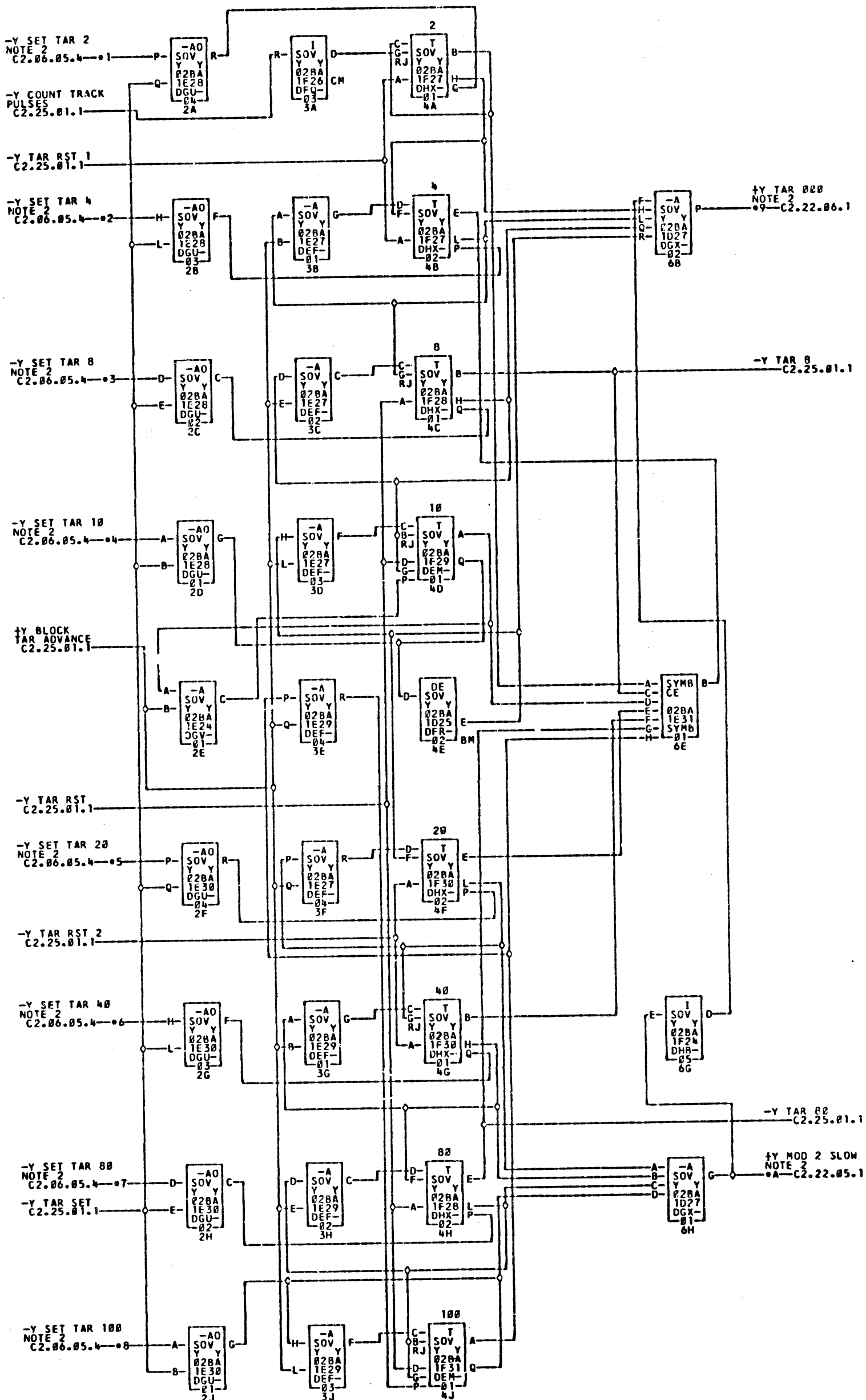
TAG DATE	D.A.NO.	TAG DATE	D.A.NO.	TAG DATE	D.A.NO.	TAG DATE	D.A.NO.
A 04-16-64	2002000						



- 1—02B1F23F
- 2—02B1E23R
- 3—02B1F23E
- 4—02B1E23Q
- 5—02B1F23C
- 6—02B1F23D

COMMENTS
 E. C. 488302
 NOTE 2 SOV WIRING TO BASIC PANEL
 NOTE 3 ALL WIRING ON THIS PAGE IN SOV
 MACHINES ONLY

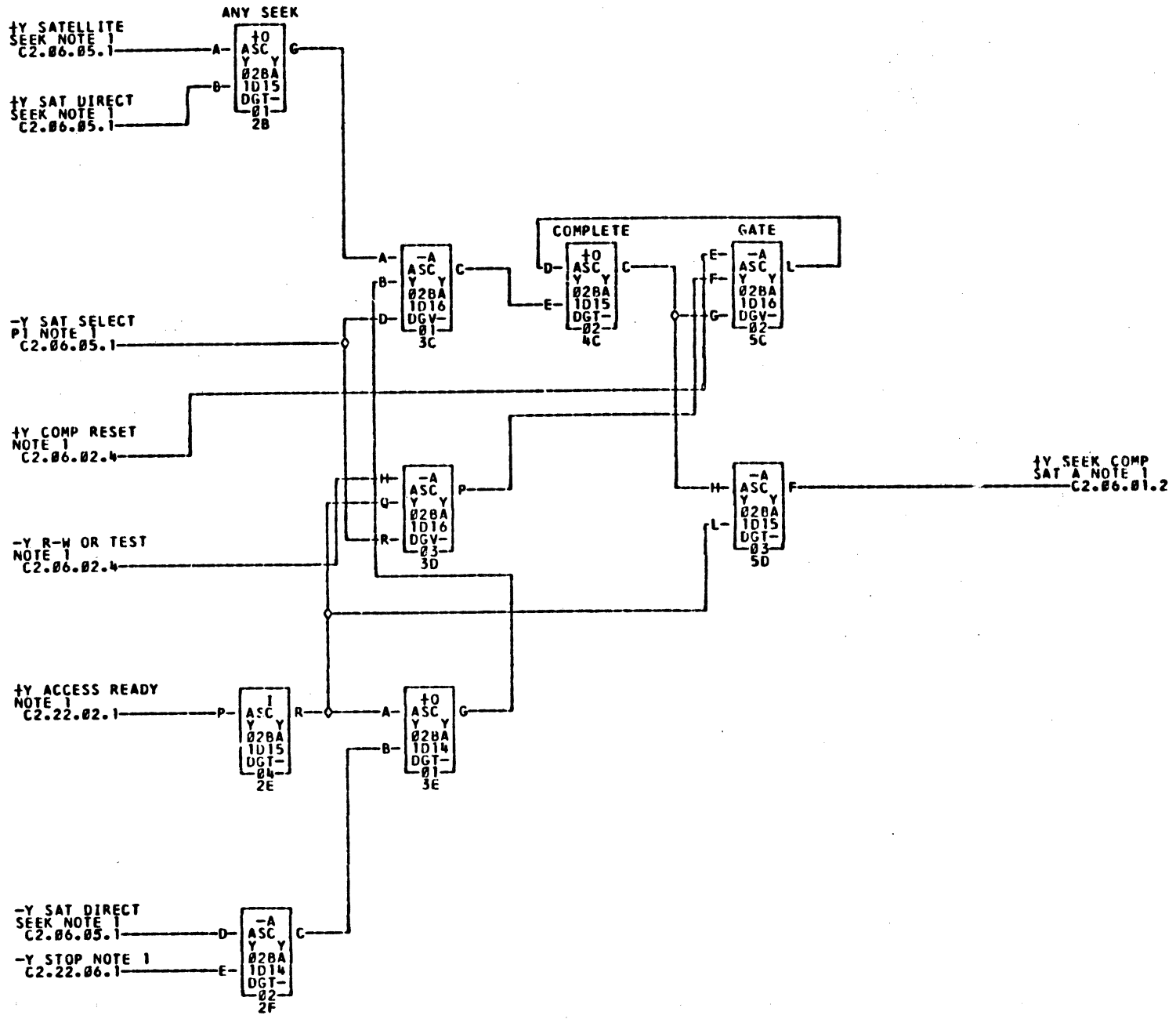
TAG	DATE	D.A.NO.	TAG	DATE	D.A.NO.	TAG	DATE	D.A.NO.
A	02-27-64	2000SVB						



- 1--02B1E23A
- 2--02B1E23B
- 3--02B1E23C
- 4--02B1E23D
- 5--02B1E23E
- 6--02B1E23F
- 7--02B1E23G
- 8--02B1E23H
- 9--02B1F23A
- A--02B1F23B

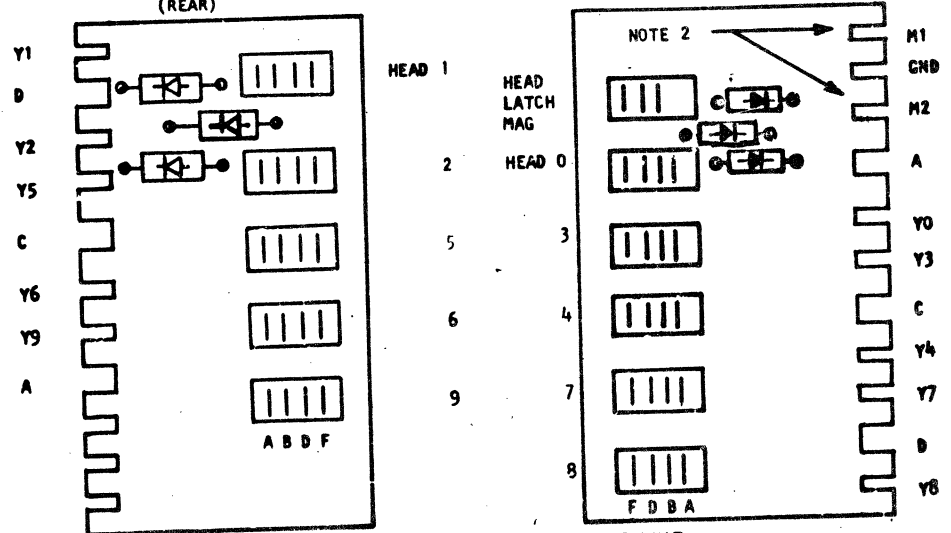
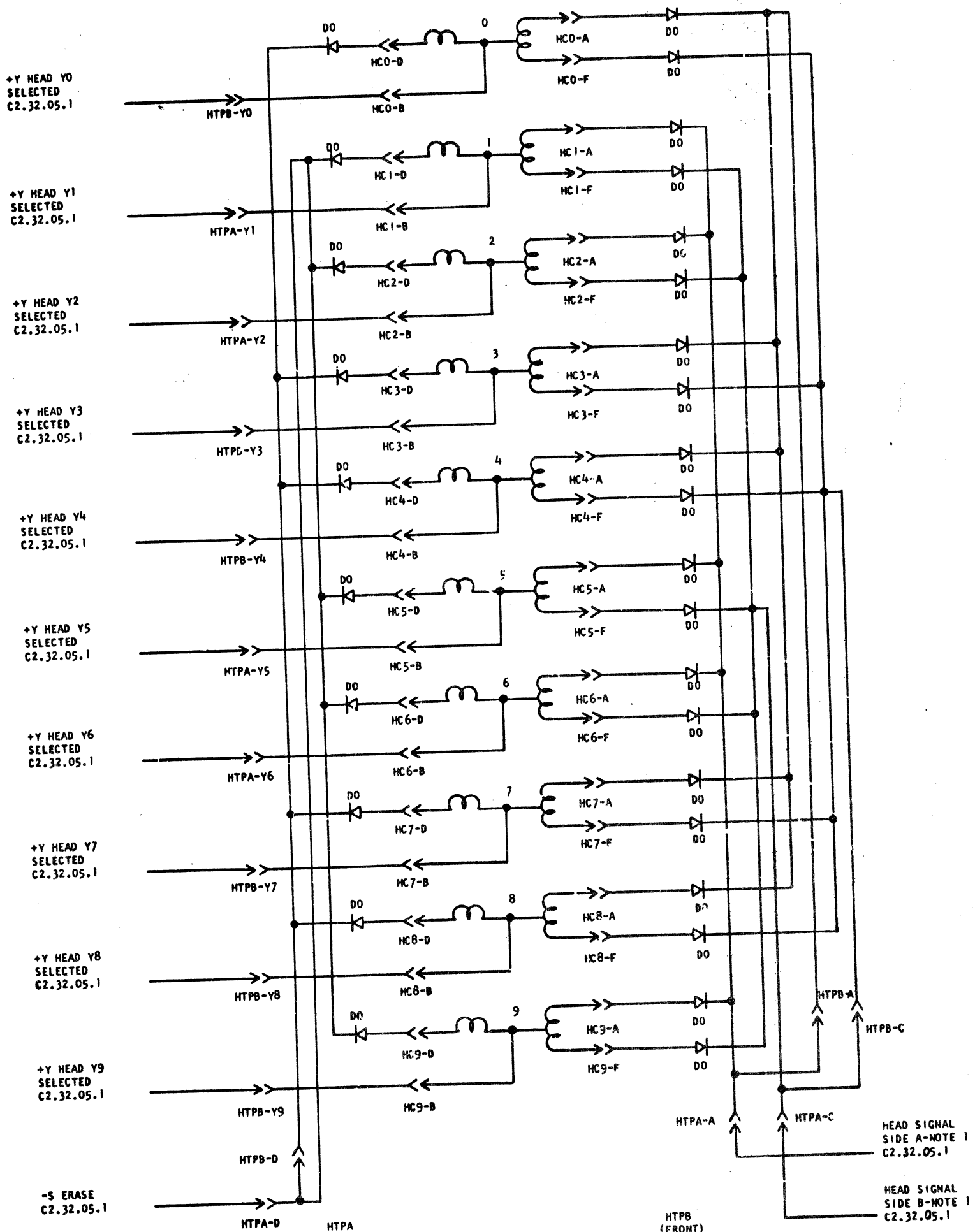
COMMENTS
 E. C. 408302
 NOTE 2 SOV WIRING TO BASIC PANEL
 NOTE 3 ALL WIRING ON THIS PAGE IN SOV
 MACHINES ONLY

AG DATE	D.A.NO.	AG DATE	D.A.NO.	AG DATE	D.A.NO.	AG DATE	D.A.NO.
A 02-27-64	2008SV0						



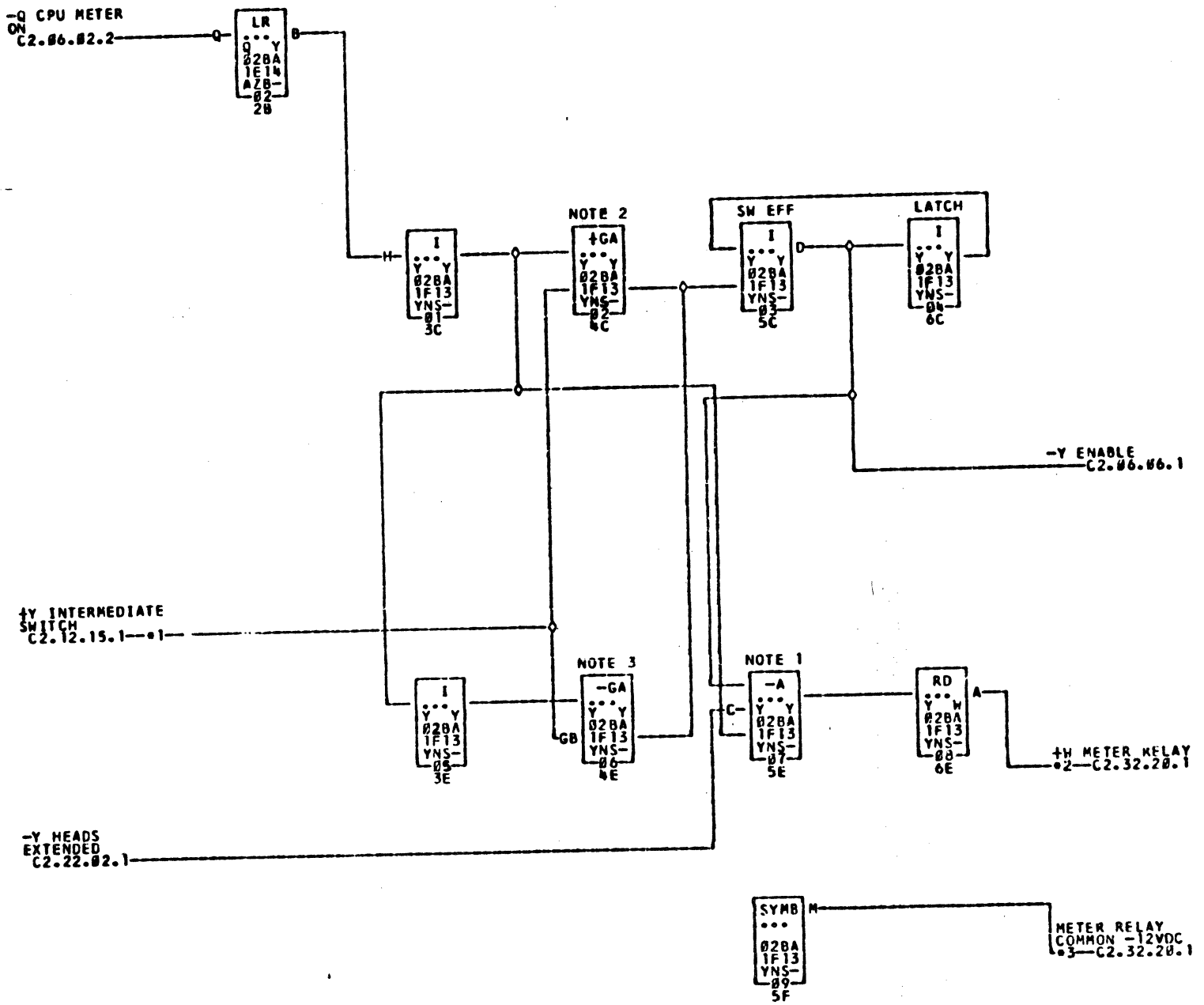
COMMENTS
 E. C. 408302
 NOTE 1 ANY SEEK COMP. FEATURE APPLIES TO SATELLITES USED WITH MOD 5 MASTERS ONLY.

TAG DATE	D.A.NO.	TAG DATE	D.A.NO.	TAG DATE	D.A.NO.	TAG DATE	D.A.NO.
A 01-28-64	2000000						



AS VIEWED FROM REAR OF HYDRAULIC UNIT
 TERMINALS A,C,B ARE CONNECTED FROM
 FRONT TO REAR WITH CABLE JUMPERS

WIRES (EXCEPT NOTE 1) ARE TWISTED WIRE CONDUCTORS WITH TV TERMINATED AT OTHER END ONLY.
 NOTE 1: COAX CONDUCTOR. SHIELD TERMINATED AT OTHER END ONLY.
 2: HEAD LATCH MAGNET CONNECTIONS. SEE C2.12.10.1



•1—0201F04J •2—0201F04H •3—0201F04L

E. C. 488302
 COMMENTS
 NOTE 1 DIODE CKT NO SIGNAL INVERSION.
 NOTE 2 TWO + INPUTS GATE LATCH ON.
 NOTE 3 TWO - INPUTS GATE LATCH OFF.

TAG DATE	D.A.NO.	TAG DATE	D.A.NO.	TAG DATE	D.A.NO.	TAG DATE	D.A.NO.
A 04-16-64	2000000						

METER DRIVE
PSTB1-10
C2.12.02.1

METER DRIVE COMM
PSTB1-7
C2.12.02.1

+M METER RELAY
C2.32.15.1

METER RELAY
COMMON -12V DC
C2.32.15.1

