

NOTE SUMMARY PAGE 1

THIS PAGE SUMMARIZES NOTES WHICH APPEAR ON VARIOUS PAGES THROUGHOUT THE LOGICS. FOR REFERENCE PURPOSES THE PAGE NUMBER IS SHOWN OPPOSITE ITS CORRESPONDING NOTE.

NOTE 1: INTERCHANGEABLE CARDS LIST

REF.	NAME	SOCKET	ORIGINAL CARD	REPLACEMENT CARD LEVEL 1	REPLACEMENT CARD LEVEL 2
RA020	BUFF A+B+C (WITH P+S FEATURE)	A-A1H4	5861173	5861840	
RA020	BUFF A+B (WITHJUT P+S)	A-A1H4	5861144	5861836	
RA030	BUFF C	A-A1F4	5862769	5861842	5862973
KA050	SKIP DUP	A-A1J2	5862761	5863211	

\*THE HIGHEST CARD LEVEL PART NUMBER IS PREFERRED AS A REPLACEMENT.

NOT SHOWN NOTE 2: NON-VERIFY MODEL A JUMPER CARD P/N 5862695 IS IN A1Y3 SOCKET.

KJ001 NOTE 3: NON-VERIFY MODEL WITHOUT CUSTOMER DIRECT PUNCH FEATURE ADD A WIRE FROM U2B10 TO U2D08 ON AI BOARD.

RB010 NOTE 4: A1G2J09 IS AUTOMATICALLY TIED TO GROUND IN VERIFY MODEL THROUGH A1A2B08.

ZE001 NOTE 5: MACHINES WITH E.C. 920560 INSTALLED WILL NOT HAVE EC 3 OR EC 4 ON THE CD FD UNIT. READ PHOTO CELL WIRING ON THESE MACHINES IS DIRECT FROM CELLS TC A1T3.

CB001 NOTE 6: ON M/C'S WITH CUSTOMER DIRECT PUNCH FEATURE INSTALLED, ON THE AI BOARD, P2B02 PIN IS WIRED TO C4G05  
 AA001 PIN ON PAGE DPO03 NET AP4"-1NH COL 80" AND PIN J4B08  
 DP003 IS DELETED FROM NET KBO1IAJ4 THEN WIRED TO PIN C4J13 ON PAGE DPO03 NET BC4" - GATED ENT COMP."

THIS DOCUMENT IS THE PROPERTY OF IBM. ITS USE IS AUTHORIZED ONLY FOR THE INDICATION OR FOR THE PERFORMANCE OF WORK FOR WHICH IT WAS SPECIFICALLY DESIGNED. FOR ALL OTHER USES, PERMISSION TO REPRODUCE OR TO TRANSMIT IN ANY FORM OR BY ANY MEANS MUST BE OBTAINED FROM THE INTERNATIONAL BUSINESS MACHINES CORPORATION. ALL QUESTIONS MUST BE REFERRED TO THE IBM PURCHASING DEPARTMENT.

<b>IBM</b>		DATE	CHANGE NO	DATE	CHANGE NO
NAME	NOTE SUMMARY	5 OCT 71	920543		
SH 129 W/O SC OR ACC		11 NOV 71	920578		
DESIGN YH	20SEP71	11 FEB 72	920641		
DETAIL BLS/TCH	20SEP71	12 JUL 72	920753		
CHECK BDD	20SEP71	MUST CONFORM TO ENG SPEC		DEVELOPMENT NO	LOGIC PG NO
APPRO					A 2000
					964379 C

E. C. HISTORY

THIS PAGE IS TO BE USED TO DETERMINE THE LOGIC (CARD AND BOARD) E.C. AND/OR RCA LEVEL OF THE M/C.

IT IS TO BE USED FOR A BOARD WITH ORIGINAL P/N 963608.

THE TABLES FOR EACH E.C. CONTAIN A HARDWARE CHECK FOR EACH REA THAT WAS PICKED UP BY THAT E.C. IF ALL REA'S IN THE TABLE CHECK OUT AS INSTALLED, THEN THE E.C. IS EFFECTIVELY INSTALLED.

THE E.C. TABLES (1, 2, 3, ETC.) ARE IN SEQUENCE BY E.C. RELEASE AND FACTORY IMPLEMENTATION.

PROCEDURE

DETERMINE THE BASIC E.C. LEVEL OF THE BOARD BY CHECKING THE ETCHED\* E.C. NUMBER ON THE BOARD.  
\*NOTE. THIS NUMBER IS FOUND ON THE RIGHT HAND EDGE OF THE BOARD ON THE PIN SIDE.  
THERE ARE TWO NUMBERS - VERTICALLY ETCHED.

THE TOP NUMBER IS THE E.C. LEVEL. THE E.C. NUMBER ALWAYS STARTS WITH 920XXX.

THE BOTTOM NUMBER IS THE ORIGINAL BOARD PART NUMBER.

THE ETCHED E.C. LEVEL IS THE LOWEST LEVEL THE BOARD CAN BE AT.

ONCE THE BASIC E.C. LEVEL HAS BEEN DETERMINED AS ABOVE, PROCEED TO THE NEXT SEQUENTIAL TABLE AFTER THAT OF THE "BASIC E.C."  
PROCEED WITH THE HARDWARE CHECKS AS OUTLINED IN THE TABLES TO DETERMINE THE FINAL REA OR E.C. LEVEL OF THE MACHINE. IT IS RECOMMENDED THAT ALL SUBSEQUENT TABLES BE CHECKED SINCE SOME E.C.'S CAN BE FIELD INSTALLED ON AN "AS REQUIRED" BASIS, EG. E.C. 920730 CAN BE FIELD INSTALLED ON A MACHINE WHICH DOES NOT HAVE E.C. 920608 INSTALLED.

1.0 TABLE 1 - E. C. 9 2 0 4 8 2

- 1.1 M/C'S WITH CDP FEATURE INSTALLED - CHECK FOR CARD P/N 5862771 IN A1C4 SOCKET POSITION - REA 91-60128 INST.
- 1.2 CHECK CONTINUITY J3006 PIN TO D5813 PIN - REA 91-60129 INST.
- 1.3 CHECK CONTINUITY F5005 PIN TO G5804 PIN - REA 91-60131 AND 91-60154 INST.

2.0 TABLE 2 - E. C. 9 2 0 4 9 6

- 2.1 CHECK CONTINUITY F2006 PIN TO C4810 PIN - REA 91-60141 INST.
- 2.2 NON-VERIFY M/C'S WITHOUT THE CDP FEATURE INST. - CHECK CONTINUITY U2810 PIN TO U2D08 PIN (TIEDOWN) - REA 91-60143 INST.
- 2.3 CHECK FOR NO CONTINUITY A2805 PIN TO D2007 PIN - REA 91-60145 INST.
- 2.4 CHECK CONTINUITY L3803 PIN TO C3806 PIN - REA 91-60 51 INST.

- 3.1 CHECK FOR CARD P/N 5862973 IN THE A1F4 SOCKET POSITION - REA 91-60162 INST. - BOARD WIRING NOT AFFECTED

- 4.1 CHECK FOR CARD P/N 5861844 IN THE A1B2-SOCKET POSITION - REA 91-60164 INST. - BOARD WIRING NOT AFFECTED

- 5.1 CHECK CONTINUITY A2804 PIN TO C5808 PIN - REA 91-60160 INST.

6.0 TABLE 6 - E. C. 9 2 0 5 7 8

BOARD WIRING NOT AFFECTED

- 6.1 CHECK FOR CARD P/N 5863211 IN THE A1J2 SOCKET POSITION - REA 91-60167 INST.

7.0 TABLE 7 - E. C. 9 2 0 6 4 1

- 7.1 CHECK CONTINUITY P5804 PIN TO J3810 PIN - REA 91-60171 INST.
- 7.2 M/C'S WITHOUT C.D.P. FEATURE INST. - REA 91-60172 INST. - CHECK CONTINUITY P2802 PIN TO P2D08 PIN
- 7.3 M/C'S WITH C.D.P. FEATURE INST. - REA 91-60173 INST. - CHECK CONTINUITY P2802 PIN TO C4G05 PIN
- 7.4 CHECK CONTINUITY A3809 PIN TO B4812 PIN - NO REA PICKED UP ON E.C.

THIS DOCUMENT IS THE PROPERTY OF IBM. ITS USE IS AUTHORIZED ONLY FOR RESPONDING TO A REQUEST FOR QUOTATION OR FOR THE PERFORMANCE OF WORK FOR IBM. ALL QUESTIONS MUST BE REFERRED TO THE IBM PURCHASING DEPARTMENT.

THIS SHEET ADDED ON E.C. 920753

IBM		DATE	CHANGE NO	DATE	CHANGE NO
NAME	NOTE SUMMARY				
	SM 129 W/O SC AND ACC	12 JUL 72	920753		
DESIGN	B. D. D. 28JUN72				
DETAIL	BS/PDV 12JUL72				
CHECK	M. W. 28JUN72				
APPRO	W. W. G. 28JUN72				
CLASSIFICATION		DEVELOPMENT NO		LOGIC PG NO	
MUST CONFORM TO ENG SPEC				A2000	
				C	

C

964379

PART NO  
964379

LOGIC PG NO  
A2000

8.0 TABLE 8 - E.C. 920730

- 8.1 CHECK CONTINUITY N589 PIN TO R5806 PIN - REA 91-60178 OR 91-60187 INST.
- 8.2 CHECK CONTINUITY E2006 PIN TO F4802 PIN - REA 91-60194 INST.
- 8.3 CHECK CONTINUITY J2004 PIN TO F4007 PIN - REA 91-60220 INST.

9.0 TABLE 9 - E.C. 920753

NOTE: E.C. 920753 CAN BE FIELD INSTALLED IN TWO PARTS, E.C. 920753-A AND E.C. 920753-B. ONLY IF BOTH A AND B ARE INSTALLED ON THE SAME M/C SHOULD E.C. 920753 BE CONSIDERED AS COMPLETELY INSTALLED.

- 9.1 E.C. 920753-A
  - 9.1.1 CHECK CONTINUITY C5804 PIN TO E5D09 PIN - NO REA PICKED UP ON E.C.
- 9.2 E.C. 920753-B
  - 9.2.1. CHECK CONTINUITY G5803 PIN TO D2807 PIN - REA 91-60231 INST.

AI BOARD PART NUMBERS - (M/C'S W/O EXP. FEAT GATE)

THE FOLLOWING LISTS THE AI BOARD PART NUMBERS WHICH MAY BE INSTALLED, DEPENDING UPON THE PARTICULAR COMBINATION OF FEATURES AND/OR RPQ'S ON THE MACHINE.

FEATURES

AI BOARD P/N

- 963608
- 963572
- 981810
- 981816

DESCRIPTION

- STANDARD BOARD
- VLCD FEATURE
- AUXILIARY STORAGE FEAT.
- INTERPRET FEATURE

RPQ'S

AI BOARD P/N

- 962906
- 962975
- 981690
- 981748
- 981826
- 981868
- 982170
- 982393
- 982453

DESCRIPTION

- X SKIP
- PCH 11 CODE (W/O INTERPRET FEATURE)
- SPECIAL CD FEED.
- PROGRAM MASTER READ
- PROOF
- LEFT ZERO PRINT W/O S.C.
- 12-11 ELIMINATE
- ALPHA KEYBOARD LOCK
- PROGRAM FEED AND REGISTER

RPQ COMBINATION BOARDS

AI BOARD P/N

- 981831
- 982182
- 982404
- 982418
- 982420
- 982422
- 982424
- 982428
- 982430
- 982442
- 982455

DESCRIPTION

- SPEC. CD. FD. AND 12-11 ELIM.
- PROG. MAST. RD AND 12-11 ELIM.
- 12-11 ELIM AND AUX. STORAGE FEATURE
- PROG. MAST. RD AND L.Z. PRINT W/O SC
- PCH 11 CODE AND 12-11 ELIM.
- PCH 11 CODE AND X SKIP
- PCH 11 CODE AND LZ PRINT W/O SC
- PCH 11 CODE AND PROG. MAST. RD.
- PCH 11 CODE AND INTERPRET FEATURE
- 12-11 ELIM AND LZ PRINT W/O SC
- PROG. FD., REG AND VLCD FEATURE

THIS DOCUMENT IS THE PROPERTY OF IBM. ITS USE IS AUTHORIZED ONLY FOR RESPONDING TO A REQUEST FOR QUOTATION OR FOR THE REPAIR OF WORK FOR IBM. ALL QUESTIONS MUST BE REFERRED TO THE IBM PURCHASING DEPARTMENT.

THIS SHEET ADDED ON E.C. 920753

IBM

NAME NOTE SUMMARY

SM129 W/O SC AND ACC

DESIGN B.D.D. 28JUN72 SHT 3 OF 3

DETAIL 85/PDV 12JUL72

CHECK M.H. 28JUN72 CLASSIFICATION

APPRO W.W.G. 28JUN72 MUST CONFORM TO ENG SPEC

MUST CONFORM TO ENG SPEC

DEVELOPMENT NO

LOGIC PG NO

A2000

C

964379

SOLID LOGIC DESIGN AUTOMATION--SOCKET LISTING

Table with columns A2, A3, YC101 and rows of socket numbers and pin configurations.

Table with columns B2, B3, KB081, KB082, KB083 and rows of socket numbers and pin configurations.

Table with columns B4, B5, DP010 and rows of socket numbers and pin configurations.

Table with columns C2, C3, KB071, KB072, KB073 and rows of socket numbers and pin configurations.

Table with columns C4, C5, DP001, DP002, DP003 and rows of socket numbers and pin configurations.

Table with columns D2, D3, DP002, DP003, DP004 and rows of socket numbers and pin configurations.

Table with columns D2, D3, DP002, DP003, DP004 and rows of socket numbers and pin configurations.

Table with columns D2, D3, DP002, DP003, DP004 and rows of socket numbers and pin configurations.

Table with columns KB061, KB062 and rows of socket numbers and pin configurations.

Table with columns KB061, KB062, KB063 and rows of socket numbers and pin configurations.

Table with columns XPO01, XPO02, XPO03 and rows of socket numbers and pin configurations.

Table with columns KA020, KA021, KA022 and rows of socket numbers and pin configurations.

Table with columns KA020, KA021, KA022 and rows of socket numbers and pin configurations.

Table with columns XPO10, XPO11 and rows of socket numbers and pin configurations.

Table with columns RA001, RA002, RA003 and rows of socket numbers and pin configurations.

Table with columns RA001, RA002, RA003 and rows of socket numbers and pin configurations.

Table with columns RA030, RA031, RA032 and rows of socket numbers and pin configurations.

Table with columns RB010, RB011 and rows of socket numbers and pin configurations.

Table with columns KB120, KB121, KB122 and rows of socket numbers and pin configurations.

Table with columns KB120, KB121, KB122 and rows of socket numbers and pin configurations.

Table with columns KJ001 and rows of socket numbers and pin configurations.

Table with columns KA060, KA061 and rows of socket numbers and pin configurations.

Table with columns RA020, RA021 and rows of socket numbers and pin configurations.

Table with columns RA020, RA021 and rows of socket numbers and pin configurations.

Table with columns KA050, KA051 and rows of socket numbers and pin configurations.

Table with columns KA050, KA051 and rows of socket numbers and pin configurations.

Table with columns KA001, KA002, KA003 and rows of socket numbers and pin configurations.

Table with columns KA002, KA003, KA004 and rows of socket numbers and pin configurations.

Table with columns KA080, KA081, KA082 and rows of socket numbers and pin configurations.

Table with columns CA020, CA021, CA022 and rows of socket numbers and pin configurations.

Table with columns CA021, CA022, CA023 and rows of socket numbers and pin configurations.

Table with columns KB001, KB002 and rows of socket numbers and pin configurations.

Table with columns KB001, KB002 and rows of socket numbers and pin configurations.

Table with columns KB010, KB011 and rows of socket numbers and pin configurations.

Table with columns KA071, KA072 and rows of socket numbers and pin configurations.

Table with columns KA071, KA072 and rows of socket numbers and pin configurations.

Table with columns KA031, KA032 and rows of socket numbers and pin configurations.

Table with columns KB031, KB032, KB033 and rows of socket numbers and pin configurations.

Table with columns KB031, KB032, KB033 and rows of socket numbers and pin configurations.

Table with columns KB020, KB021 and rows of socket numbers and pin configurations.

Table with columns KB021, KB022 and rows of socket numbers and pin configurations.

Table with columns KB021, KB022 and rows of socket numbers and pin configurations.

Table with columns CB001 and rows of socket numbers and pin configurations.

Table with columns KA040, KA041 and rows of socket numbers and pin configurations.

Table with columns KA040, KA041 and rows of socket numbers and pin configurations.

Table with columns CA001, CA002, CA003 and rows of socket numbers and pin configurations.

Table with columns CA001, CA002, CA003 and rows of socket numbers and pin configurations.

Table with columns CA001, CA002, CA003 and rows of socket numbers and pin configurations.

Table with columns CA011, CA010 and rows of socket numbers and pin configurations.

Table with columns CA010, CA011 and rows of socket numbers and pin configurations.

Table with columns ZC001 and rows of socket numbers and pin configurations.

Table with columns ZC001 and rows of socket numbers and pin configurations.

Table with columns ZC001 and rows of socket numbers and pin configurations.

Table with columns ZC001 and rows of socket numbers and pin configurations.

Table with columns ZC001 and rows of socket numbers and pin configurations.

Table with columns ZC001 and rows of socket numbers and pin configurations.

SOCKET LISTING
DATE 06-27-72
MACH. SM129
LOG 090
PREV. ENCR. 12-30-72 920641
PRES. ENCR. 06-05-72 920753
P.N. 0963196
TBA CORP. GSD ALK.

CA030	26 27
CA032	28
CA031	29 30 31 32 33 34 35 36 37 38 39 40 41 42 43 44 45 46 47 48
CA032	49
CA031	50 51
CA032	52
CA031	53 54 55 56 57 58 59 60 61
CA032	62 63 64 65 66 67 68 69 70 71 72 73 74 75
CA031	76 77
*****	
T1	CONNECTOR B13 YA001SA6 D13 CB010BC4
T2	CABL ZC001 AF
T2	CONNECTOR B02 ZS001AA2 B03 ZS001AF2 B04 ZS001AC2 B05 ZS001AX4 B06 ZS001AA4 B07 KA001AJ6 B08 YA001AA3 B09 ZS001AK4 B10 KB022AT4 B11 ZS001BG4 D04 ZS001AB4 D05 ZS001AD4 D06 ZS001BH4 D07 ZS001BE2 D09 ZS001AK2 D10 YA001AA1 D11 ZS001AE4 D12 ZS001AJ2
T3	CABL ZC001 AQ
T3	CONNECTOR B02 ZE001AW8 B03 ZE001AW7 B04 ZE001AW6 B05 ZE001AW5 B06 ZE001AW4 B07 ZE001AW3 B08 ZE001AW1 B09 ZE001AX4 B10 ZE001AX5 B11 ZE001AX6 B12 ZE001AX7 B13 ZE001AX8 D08 ZE001AW2
T4	DOUBLE CARD
T5	5861467 M467
DA001	01 02 03 04 05 06 07 08 09 10 11 12 13 14 15 16 17 18 19 20 21
DA002	22 23 24 25 26 27 28 29 30 31 32 33 34 35 36 37 38 39 40 41 42 43 44 45 46 47 48 49 50 51 52 53
T6	CONNECTOR A02 CA031AK4 A04 CA031AV4 B04 CA031AQ4 C02 CA031AT4 C04 YA001AC4 D02 CA031AH4 D04 YA001AC4 E02 CA032AM4
*****	
U1	CONNECTOR A13 CB010BE4 C13 YA001SA4 D13 YA001SA4 E13 CB010BD4
U2	CABL ZC001 AG
A	
1U2	CONNECTOR B02 ZS001AR4 B03 ZS001BL4 B04 ZS001AY7 B05 ZS001AY9 B06 ZS001AY5

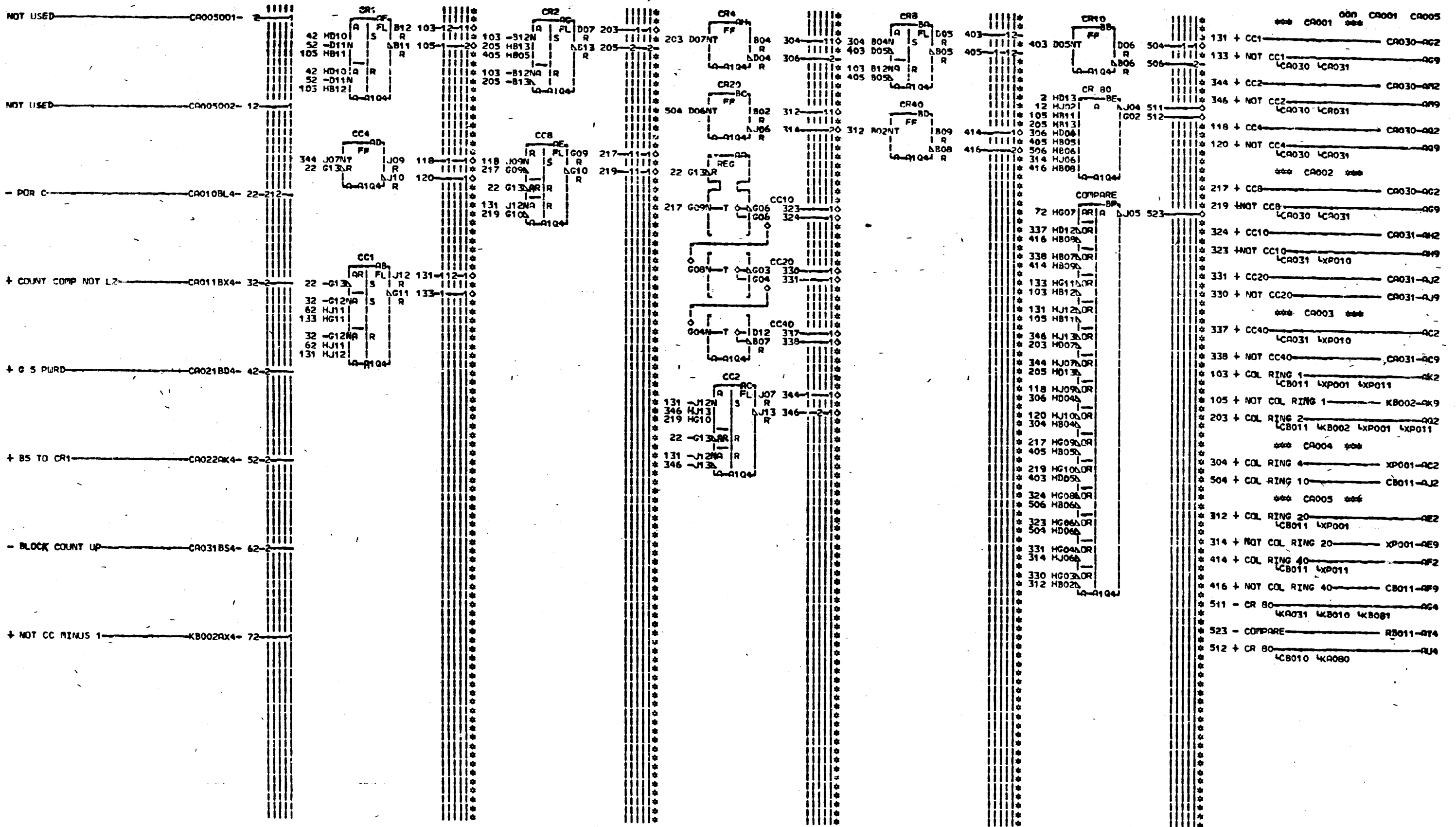
U2	B07 ZS001AY3 B08 ZS001AY2 B09 KA071BU4 B10 ZS001B02 B12 KB022AA4 B13 ZS001AE2 D02 ZS001AF2 D04 ZS001AQ4 D05 ZS001AY8 D06 ZS001AY6 D07 ZS001AY4 D09 ZS001AY1 D10 ZS001AG2 D11 ZS001BD4 E14 YA001AC7
U3	CABL ZC001 AD
U3	CONNECTOR A01 YA001AB5 B02 YA001AA3 B03 KA010AJ6 B04 YA001AA3 B05 KA001AD4 B06 YA001AA3 B07 KA061BF4 B08 KA010AA4 B09 KA010AF4 B10 KA010AB4 B11 KA010AG4 B12 KA010AC4 B13 KA010AH4 D02 KA001AA4 D04 KA001AF4 D05 KA001AB4 D06 KA001AC4 D07 KA001AC4 D09 KA001AH4 D11 YA001AA3 D12 KA010AD4 E14 YA001AC1
U4	DOUBLE CARD
U5	5860378 L378
DA010	01 02 03 04 05 06 07 08 09 10 11 12 13 14 15 16 17 18 19 20 21 22 23 24 25 26 27 28 29 30
DA011	31 32 33 34 35 36 37 38 39 40 41 42 43 44 45 46 47 48 49 50 51 52 53 54
U5	CONNECTOR A01 YA001AB3
U6	CONNECTOR A02 CA032AR4 B04 CA030AM4 C02 CA030AV4 C04 CA030AT4 D04 CA070AS4
*****	
V1	CONNECTOR B13 CB010BB4
V2	CABL ZC001 AN
V2	CONNECTOR B04 YA001AC2 B06 YA001AC2 B09 ZS001AV2 B10 YA001AC2 B11 ZE001AV4 B12 YA001AC2 B13 ZE001AV7 D05 ZS001AV4 D06 ZS001AT2 D08 YA001AC2 D10 YA001AC2
V3	CABL ZC001 AV
V3	CONNECTOR B02 YA001AB5 B03 YA001AB7 B04 YA001AB3 B05 YA001AR3 B06 YA001AR5 B07 YA001AC4 B10 YA001AA1 B13 YA001AA3 D02 YA001AC7 D03 YA001AC1

V3	D04 YA001AC2 D07 YA001AC6 D13 YA001AA7
V4	CABL ZC001 AH
V4	CONNECTOR B02 ZK001AB2 B03 ZK001AC2 B04 ZK002AB2 B05 ZK001AE2 B06 ZK002AE2 B07 ZK001AF2 B08 ZK002AG2 B09 ZK002AJ2 B10 ZK002AK2 B11 ZK002AM2 B12 ZK002AN2 D02 ZK002AR2 D04 ZK001AD2 D05 ZK002AC2 D06 ZK002AD2 D07 ZK002AF2 D09 ZK002AH2 D10 ZK001AG2 D11 ZK002AL2 D12 CA031BF4
V5	CABL ZC001 AJ
V5	CONNECTOR B02 ZK002AQ2 B03 ZS001AW2 B04 ZK001AH2 B05 ZK001AK2 B06 ZK001AM2 B07 ZK001AP2 B08 ZK001AQ2 B09 ZK001AS2 B10 ZK001AU2 B11 ZK001AW2 B12 ZK001AZ2 D02 ZK002AP2 D04 ZK002AR2 D05 ZK001AJ2 D06 ZK001AL2 D07 ZK001AN2 D09 ZK001AR2 D10 ZK001AT2 D11 ZK001AV2 D12 ZK001AX2
V6	CONNECTOR A02 CA030AW4 B02 CA032AQ4 B04 CA032AL4
*****	
V6	CABL ZC001 BB GATE
Z4	CABL ZC001 AY
Z5	CABL ZC001 AZ
Z6	CABL ZC001 AU GT
*****	

PLUG LIST				
PART NO	ACC	TYPE	SOCKETS	TOTAL
5860378		L378	U4	01
5861467		M467	T4	01
5861629		M629	N2	01
5861632		M632	Q2 R2	02
5861667	PSA	M667	E4	01
5861762		M762	M4	01
5861763		M763	N4	01
5861764		M764	E2	01
5861779		M779	L4	01
5861781		M781	S2	01
5861785		M785	K4	01
5861789		M789	L2	01
5861835	PSA	M835	D4	01
5861840		M840	H4	01
5861844	VRFY	M844	B2	01
5861868		M868	G2	01
5861870	VRFY	M870	A2	01
5861871	VRFY	M871	D2	01
5861874		M874	J4	01
5861875	PRSP	M875	H2	01
5862675		N675	G4	01
5862695	NVFX	N695	H1 J1 K1	03
5862759		N759	R4	01
5862762		N762	S4	01
5862763		N763	F2	01
5862764		N764	K2	01
5862765		N765	M2	01
5862766	VCCA	N766	B4	01
5862767	VRFY	N767	C2	01
5862770		N770	P2	01
5862973		N973	F4	01
5863211		P211	J2	01
5863298		P298	P4	01
5863321	VRFY	P321	G4	01
5863684		P684	C4	01
	CABL		U2 T2 T3 V3 V4 V5 Z4 Z5	11
	CONN		M6 N6 O6 R6 T1 T2 T3 T6 U1 U2 U3 U5 U6 V1 V2 V3 V4 V5 V6	19
	GATE	CABL	Y6	01
	GT	CABL	Z6	01
	RD	CABL		01

SOCKET LISTING  
 DATE 06-27-72 MACH. SM129  
 LOG 090 BOARD 01A-A1  
 PREV. ENGR. 12-30-72 920641  
 PRES. ENGR. 06-05-72 920753  
 P.N. 0963196  
 IBM CORP. GSD BLK.



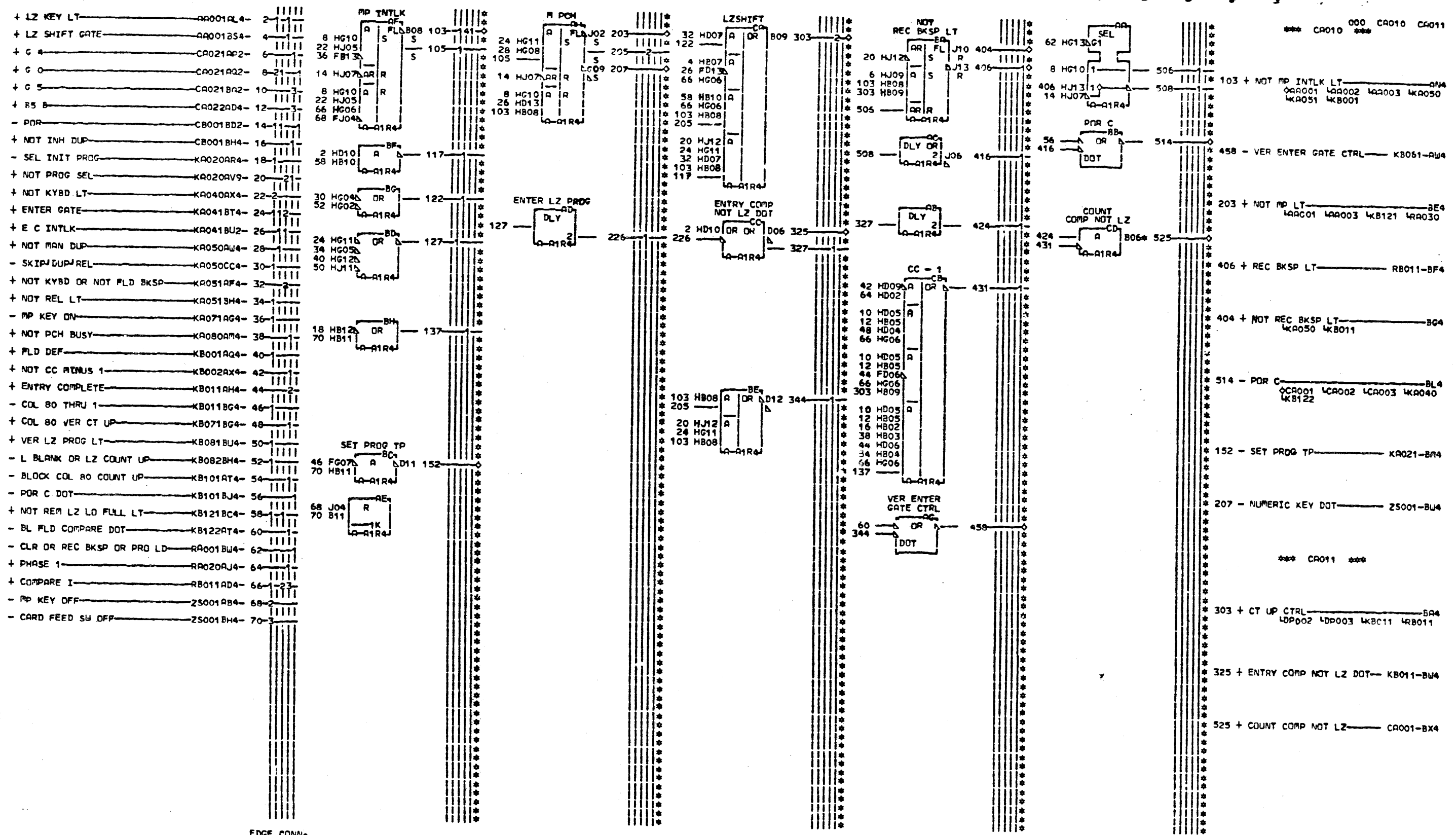


CA001  
CA005  
000

LOC. TYPE  
A-1104 N675

PAGE VER EC LEV  
CA001 000 920410  
CA002 000 920240  
CA003 000 920240  
CA004 000 920240  
CA005 000 920482

COLUMN COUNTER	COLUMN RING SP.
E.C. HISTORY	MACH. SM129
920240	FRAPPE 01 CA001
920410	IBM CORP. PD CA005
DATE LAST EC	IP.N. 964063 700
07-05-71 920482	



EDGE CONN.  
525 A-A1M6B04

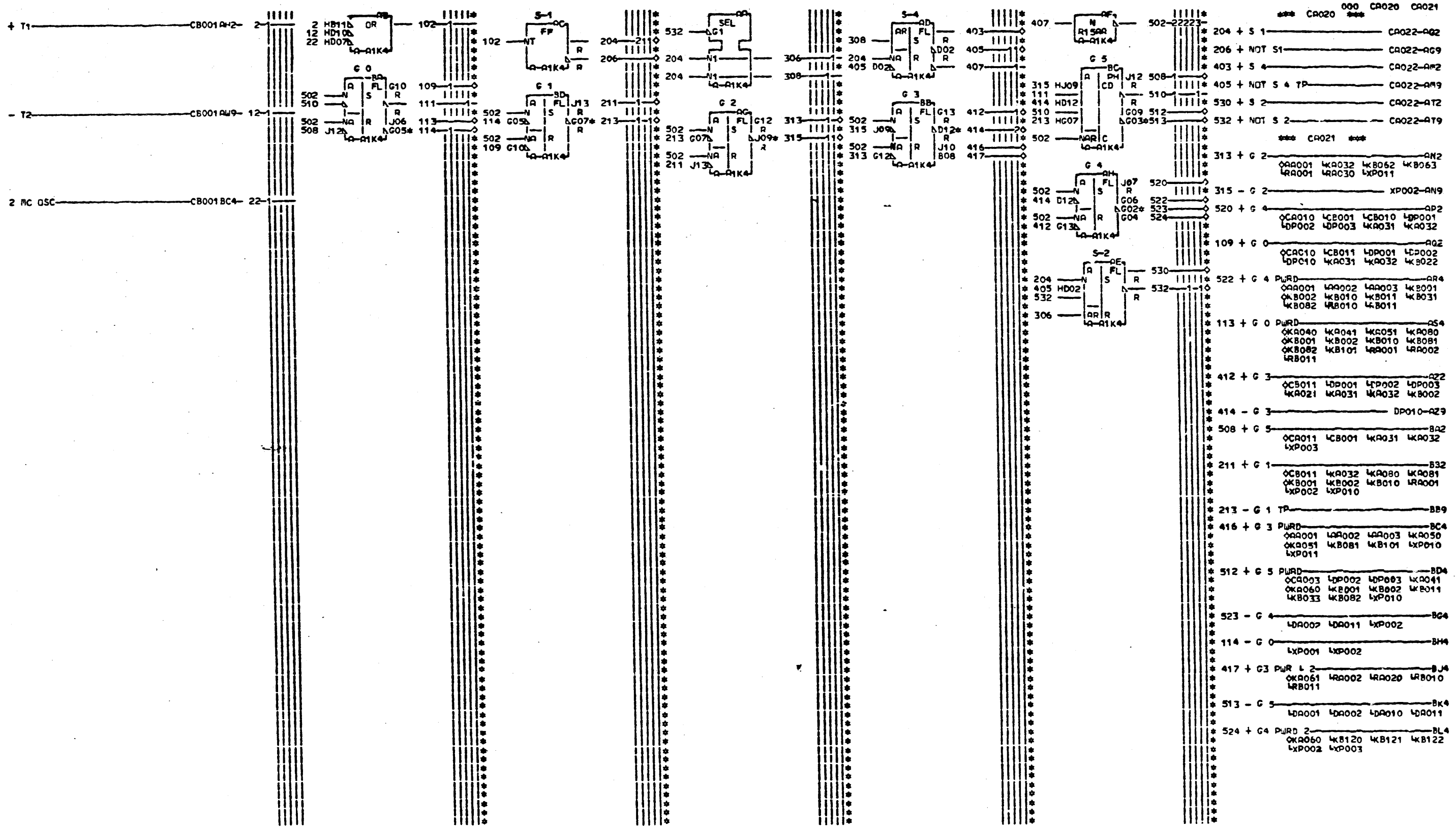
LDC TYPE  
A-A1R4 N759

PAGE VER EC LEV  
CA010 000 920753  
CA011 000 920753

CA010  
CA011  
000

MP COUNT UP SM		
E.C. HISTORY	B. MACH. SM 129	
920240 920496		
920410 920581	FRAME 01	CA010
920432 920730		
920460	IBM CORP. PD	CA011
DATE LAST EC	P.No. 964063	000
06-05-72 920753		





B. NOTE 1785B

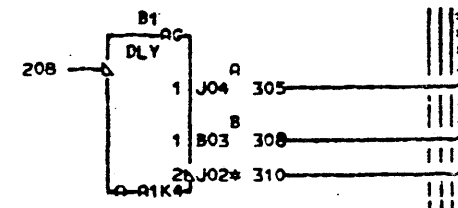
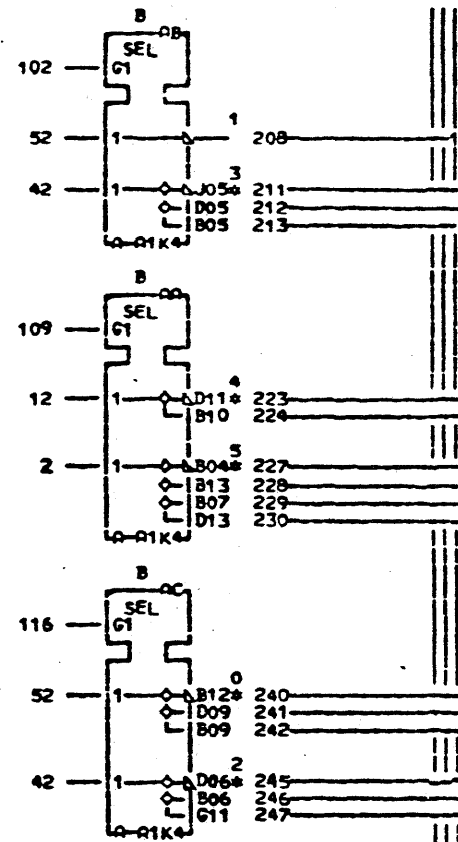
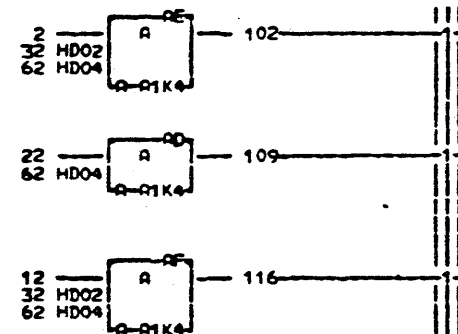
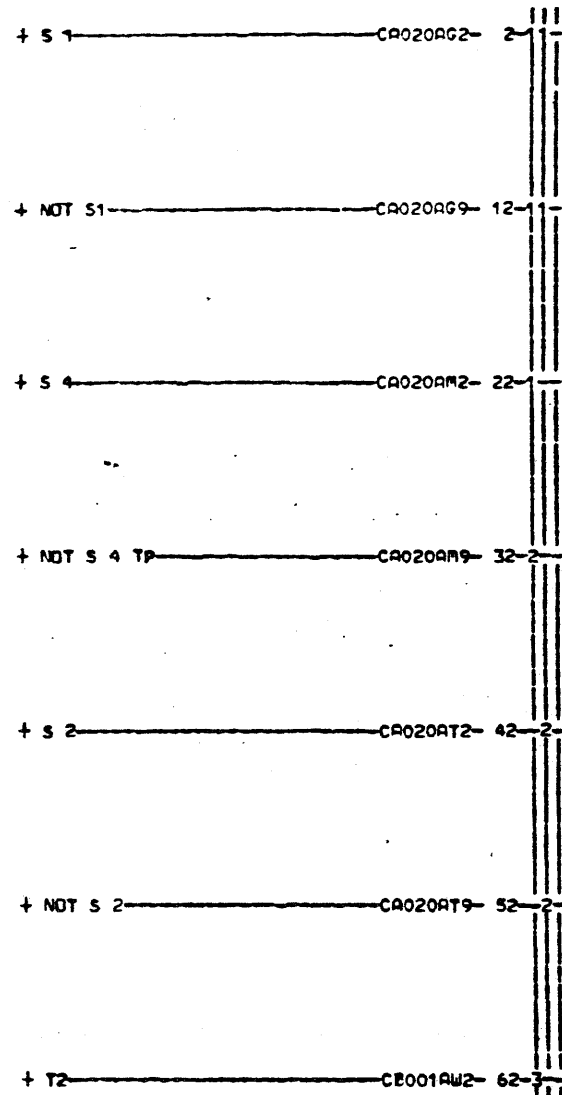
CA020  
CA021  
000

EDGE CONN.  
114 A-A176P02  
213 A-A195D04  
315 A-A195E02  
414 A-A195B04  
513 A-A196C04  
523 A-A196C02

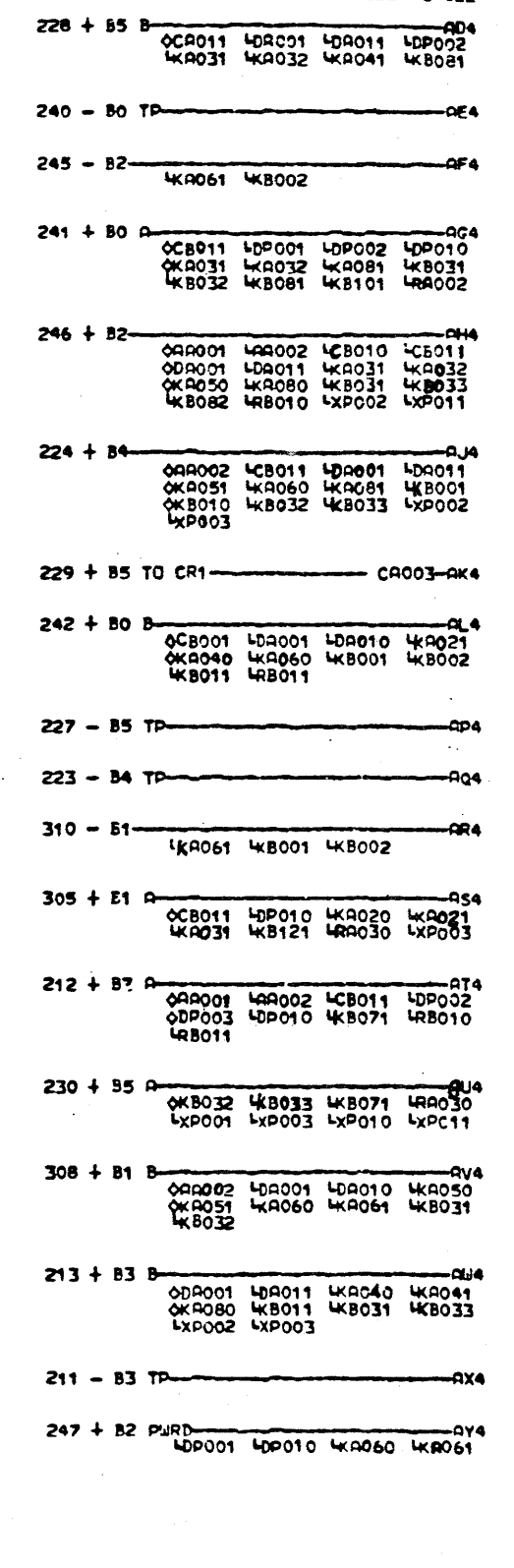
LOC. TYPE  
A-A1K4 A755

PAGE VER EC LEV  
CA020 000 920410  
CA021 000 920757

PWRD CLOCK BIT TIMING SM			
E.C.	HISTORY	R.	MACH=SM129
920240	920730		
920410		FRAME	01 CA020
920432		IBM CORP.	PD CA021
920581		DATE	LAST EC
06-05-72	920753	P.N.	964064 000



000 CA022 CA022



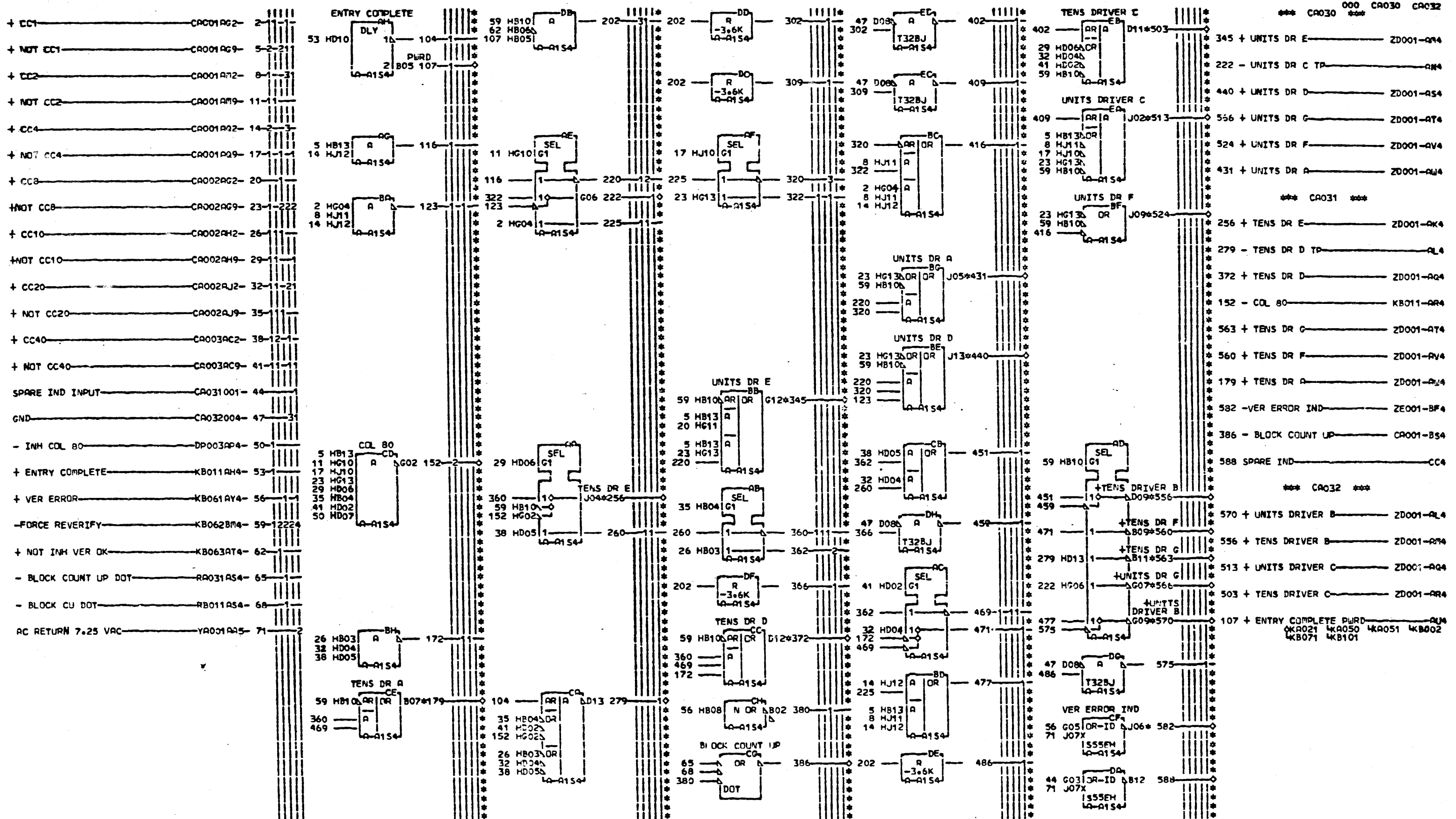
EDGE CONN.  
 211 A-A1R6E04  
 223 A-A106A02  
 227 A-A106A04  
 240 A-A1R6E02  
 245 A-A1R6E02  
 310 A-A1R6D04

LDC TYPE  
 A-A1K4 R785

PAGE VER EC LEV  
 CA022 000 920753

CA022  
 CA022  
 000

PWRD CLOCK BIT TIMING SM			
E.C. HISTORY	B. MACH. SR129		
920240	920581	FRARE	01 CA022
920410		IBM CORP. PD	CA022
920432			
920460			
DATE	LAST EC	P.No.	964065 000
06-05-72	920753		



EDGE CMMN.

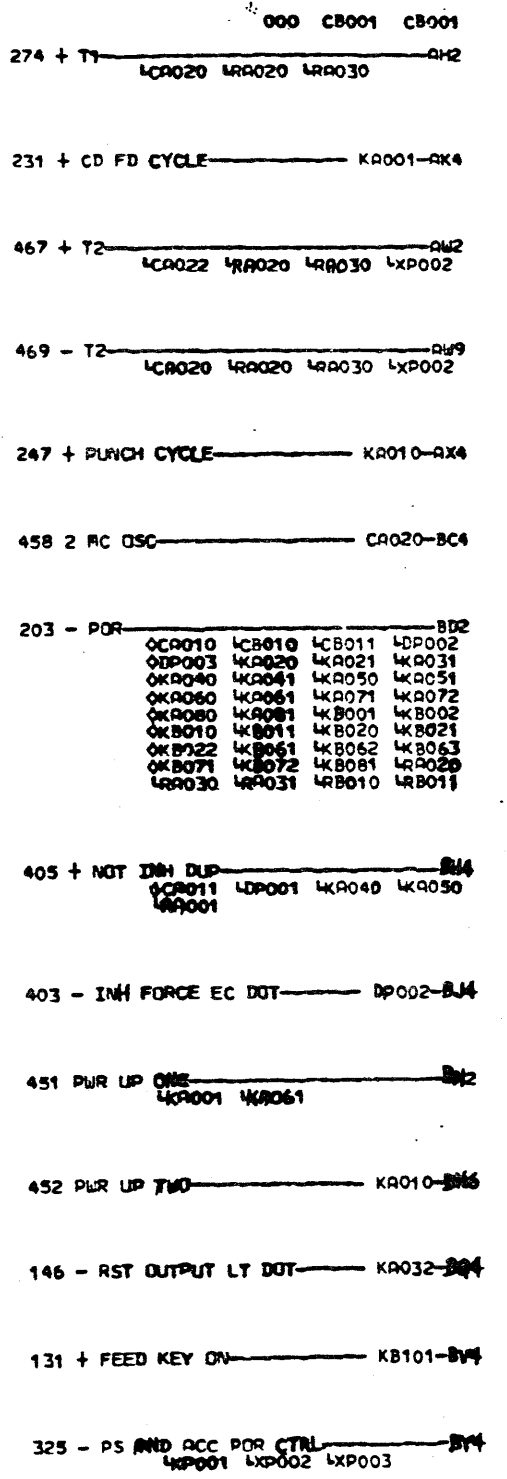
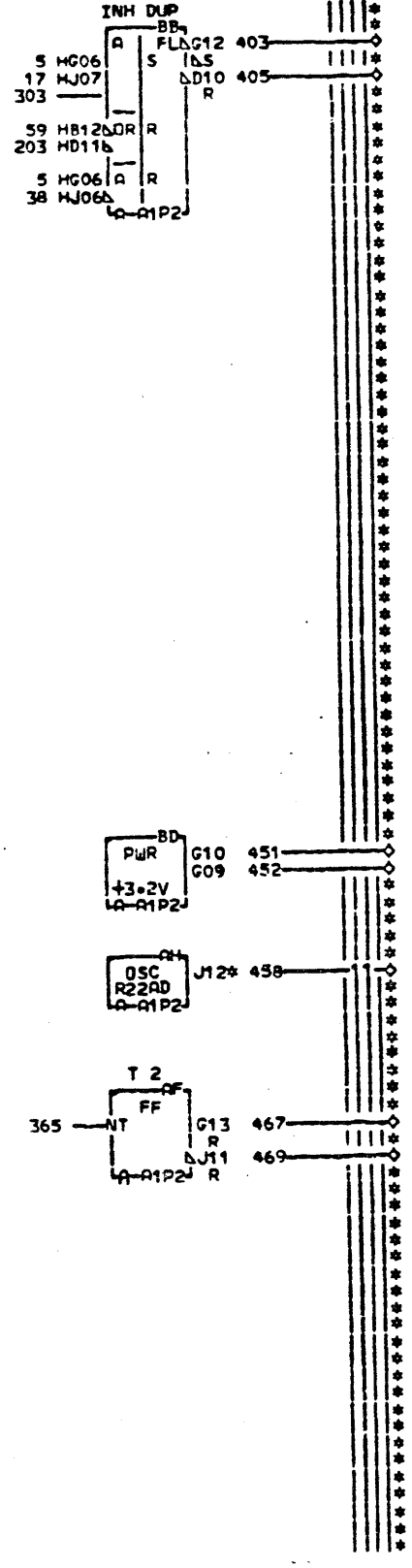
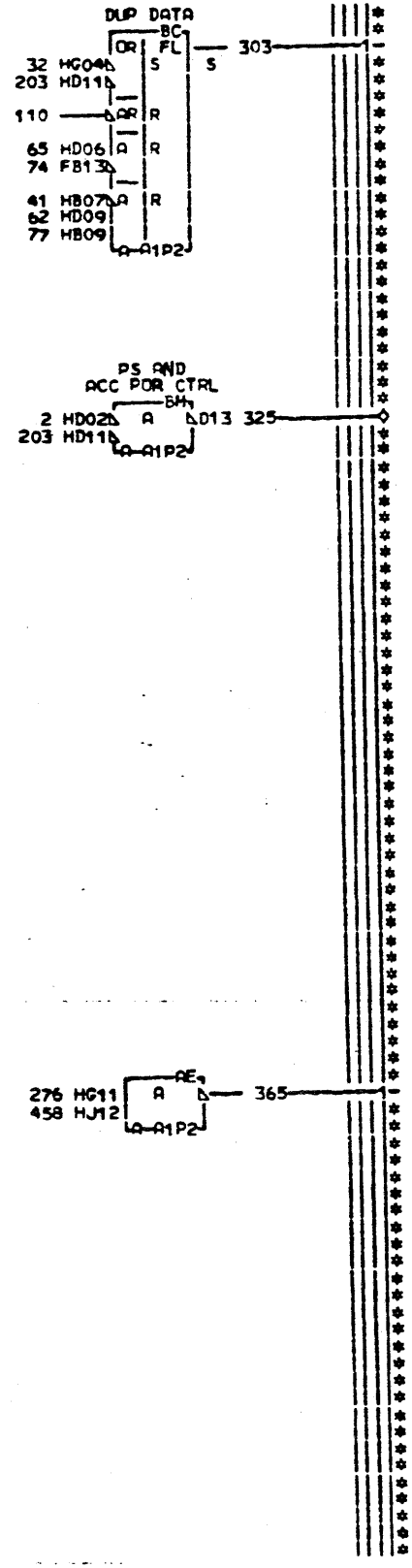
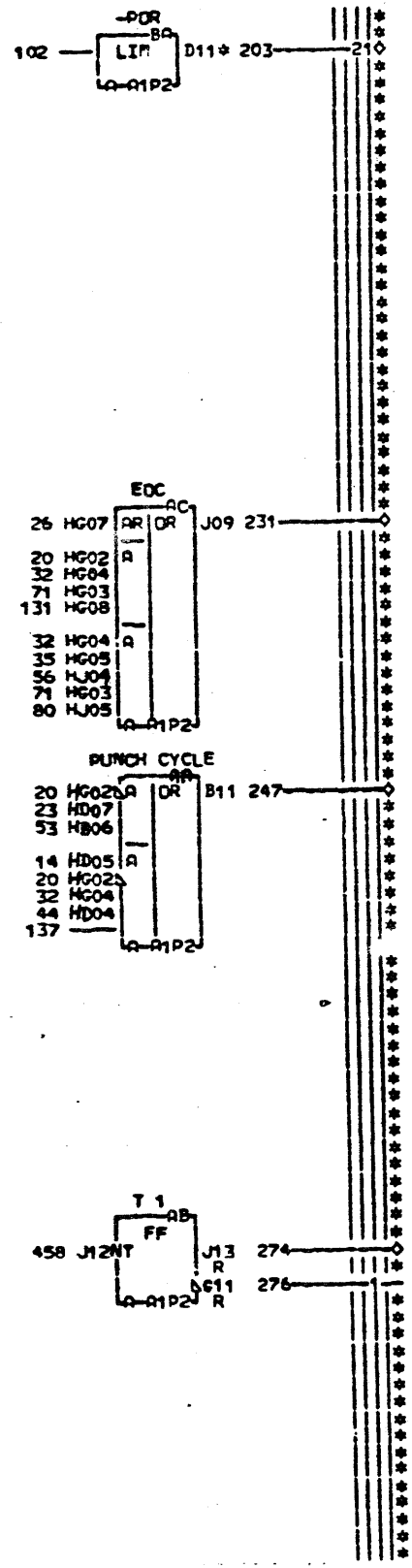
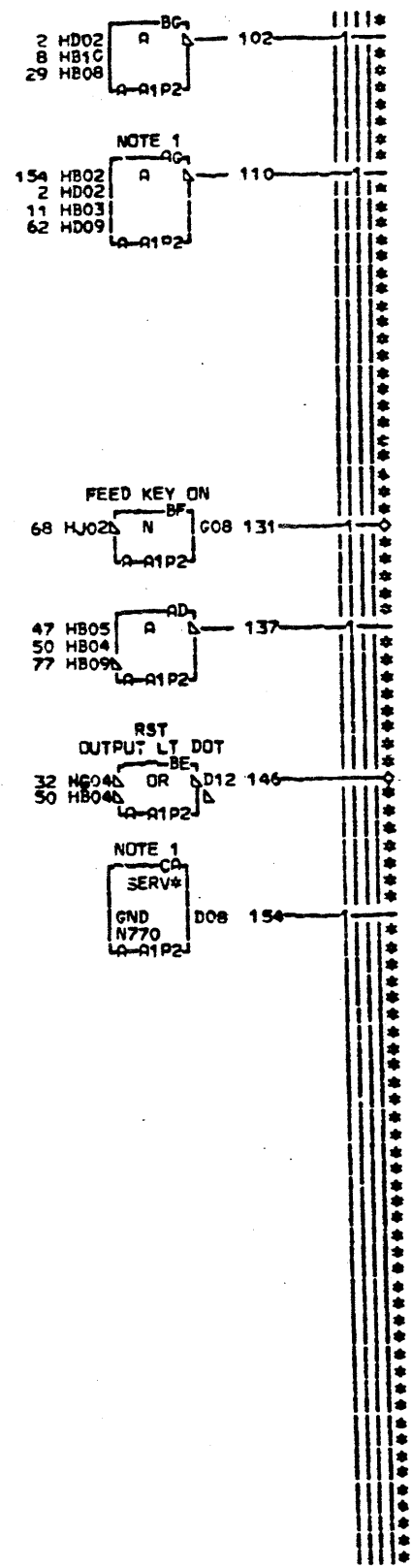
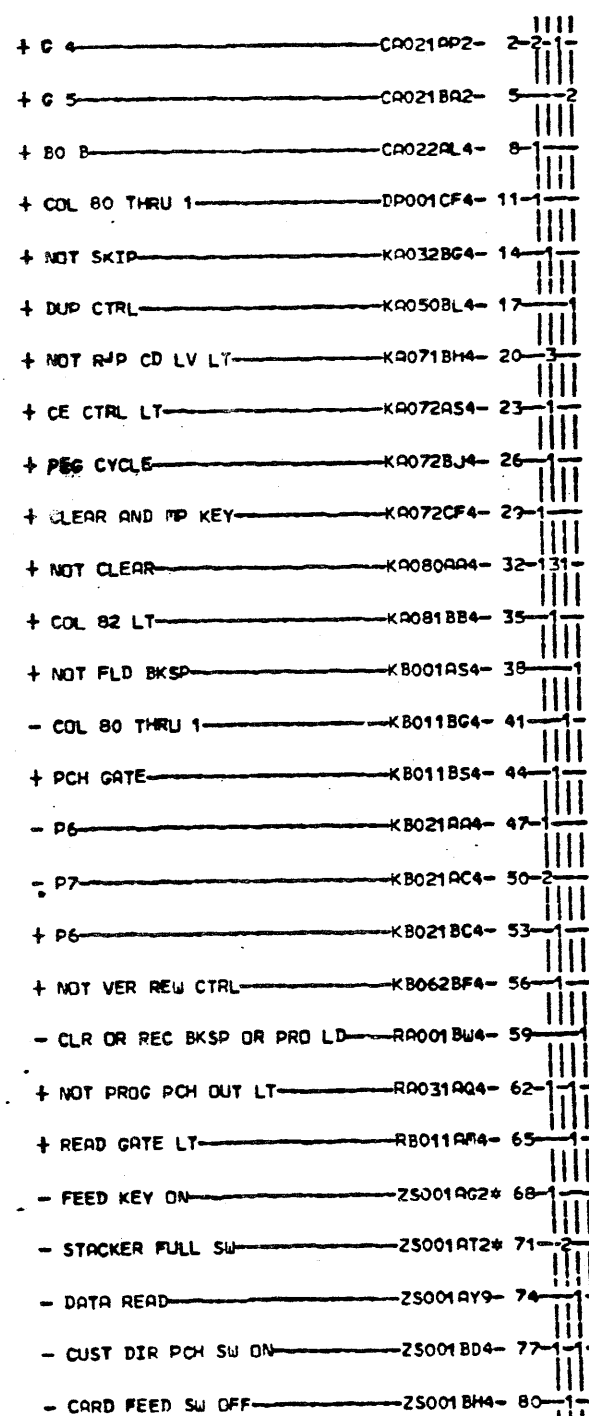
179	A-A1T6D02	560	D-A1T6A04
256	A-A1T6A02	563	D-A1T6C02
345	A-A1U6B04	566	D-A1U6C04
372	A-A1T6B04	570	D-A1V6B04
431	A-A1V6A02	582	D-A1V4D12
440	A-A1U6D04		
503	A-A1U6A02		
513	A-A1V6B02		
524	A-A1U6C02		

LOC. TYPE  
A-A154 N762

PAGE VER EC LEV  
CA030 000 920482  
CA031 000 920753  
CA032 000 920578

CA030  
CA032  
000

E.C. HISTORY				MACH. SM129	
920240	920496	FRAME	01	CA030	
920410	920578				
920460					
920482		IBM CORP. PD		CA032	
DATE	LAST EC				
06-05-72	920753	P.No.	964066		000



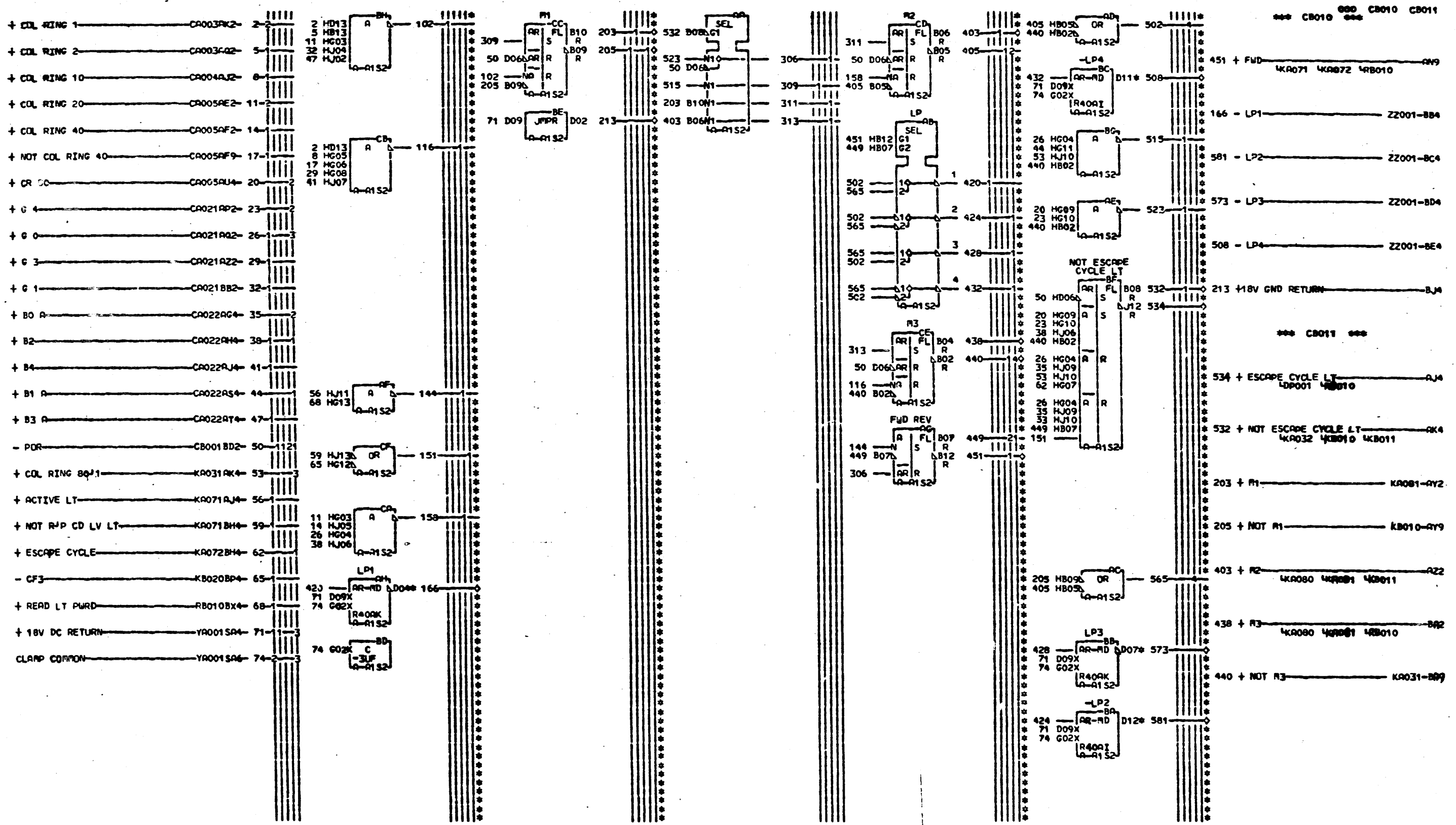
NOTE 1 ON MICS W/O CUST DIRECT PUNCH FEATURE INSTALLED P2B02 PIN IS TIED TO GROUND.  
 ON MICS WITH CUST DIRECT PUNCH INSTALLED P2B02 PIN IS WIRED TO C4G05 PIN ON PAGE DP003 NET  
 CB001 AP4 - INH COL 80

EDGE CONN.  
 68 RESISTOR A-A1P2J02  
 71 RESISTOR A-A1P2G03  
 203 A-A1P2A02  
 458 A-A1P2A04

LDC TYPE  
 A-A1P2 N770

PAGE VER EC LEV  
 CB001 000 920753

POR OSC SM		E.C. HISTORY		B. PACH. SM129	
920432	920508	920460	920581	FRAME	01 CB001
920482	920641	920496	920730	IBA CORP. PD	CB001
DATE	LAST EC	06-05-72	920753	P.N. 964067	000



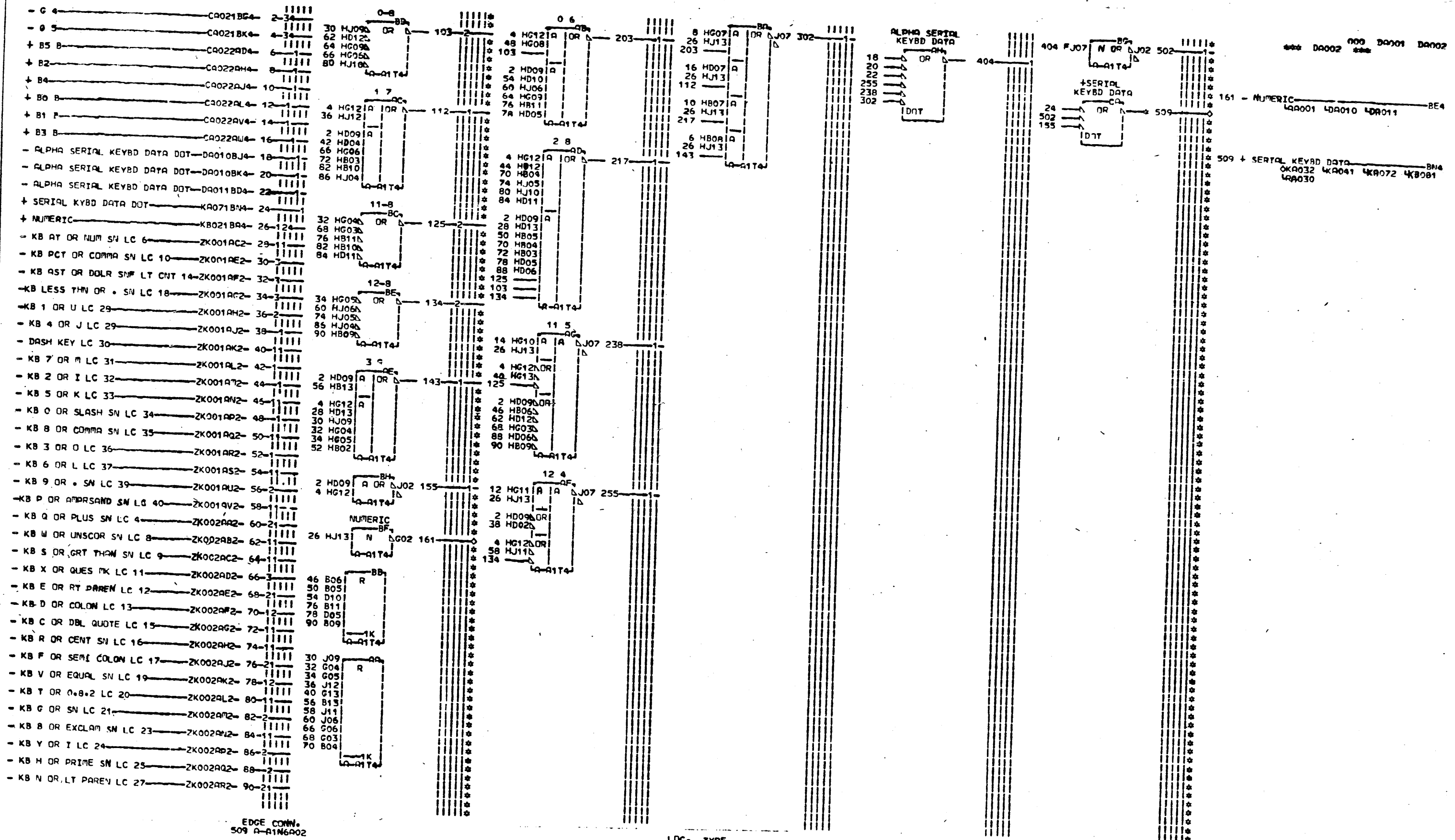
EDGE CONN.  
 166 A-A1V1B13  
 508 A-A1U1A13  
 573 A-A1U1E13  
 581 A-A1T1D13

LOC. TYPE  
 A-A1S2 R781

PAGE VER EC LEV  
 CB010 000 920496  
 CB011 000 920581

CB010  
 CB011  
 000

ATR CTRL SA	
E-C-HISTORY	FRMCH SA129
920240	FRAME 01 CB010
920440	IBN CORP.PD CB011
920496	
DATE LAST EC	P.N. 964068 000
10-27-71 920581	



EDGE CONN.  
509 A-A1N6A02

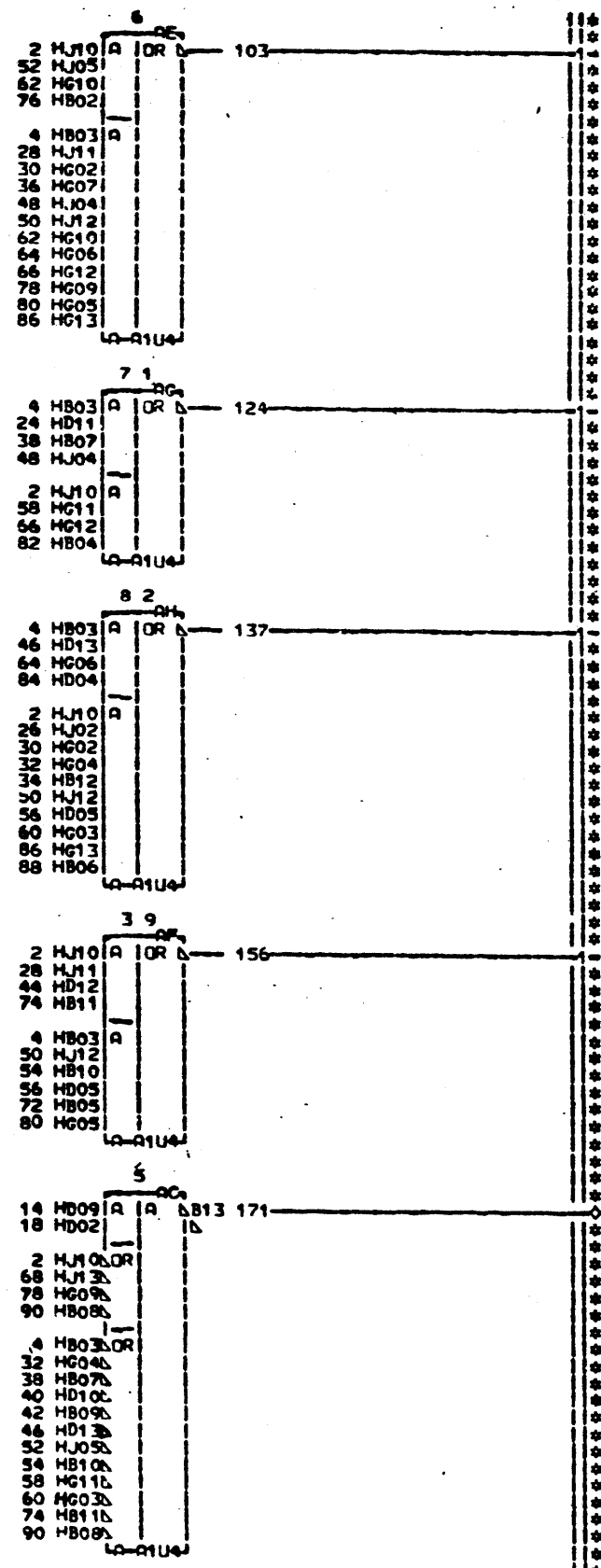
LDC TYPE  
A-A1T4 #467

PAGE VER EC LEV  
DA001 000 920496  
DA002 000 920410

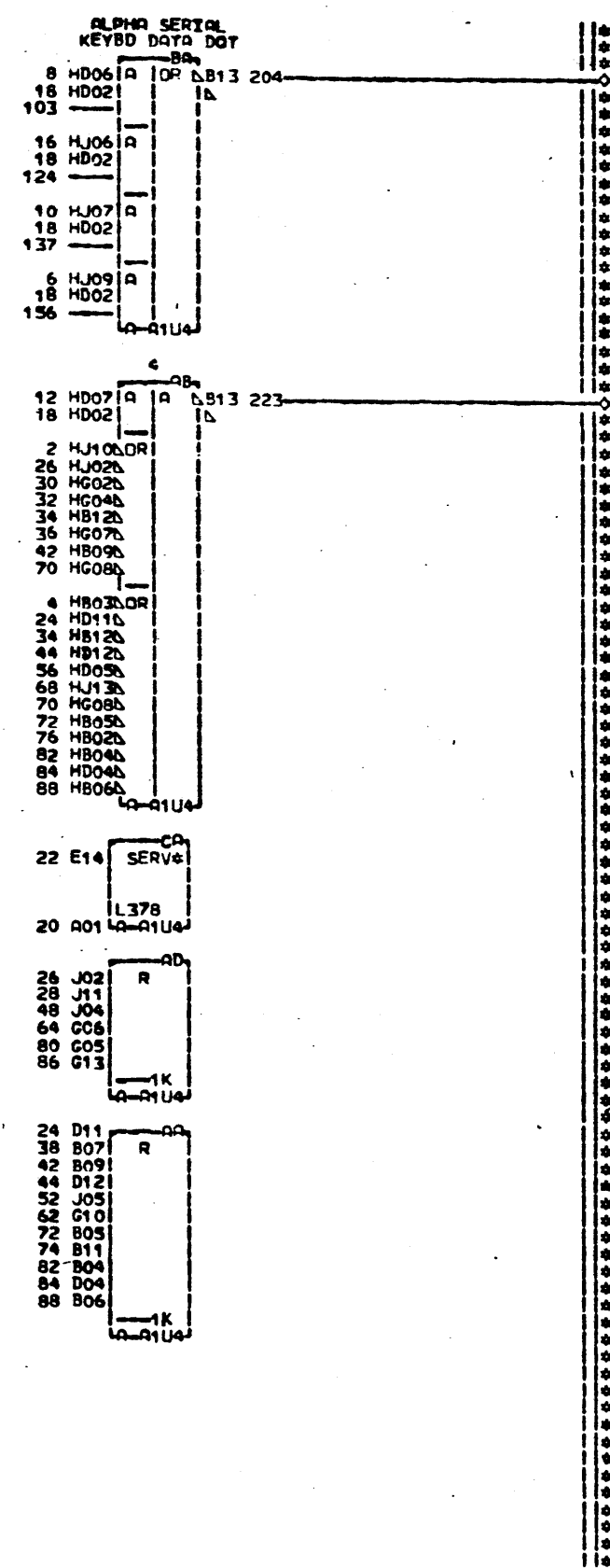
DA001  
DA002  
000

NUMERIC ENCODE SM			
E.C.	HISTORY	R. MACH.	SM 29
920240			
920410		FRATE	01 DA001
920432			
DATE	LAST EC	IBM COMP.	PD DA002
07-28-71	920496	P.N.	964069 000

- G 4	CA021BC4	2-51
- G 5	CA021BK4	4-51
+ B5 B	CA022AD4	6-1
+ B2	CA022AH4	8-1
+ B4	CA022AJ4	10-1
+ B0 B	CA022AL4	12-1
+ B1 B	CA022AV4	14-1
+ B3 B	CA022AW4	16-1
- NUMERIC	DA002BE4	18-15
+6VDC	YA001AB7	20-1
+6VDC RETURN	YA001AC2	22-1
- KB A LC 5	ZK001AB2	24-12
- KB AT OR NUM SN LC 6	ZK001AC2	26-12
- KB Z LC 7	ZK001AD2	28-21
- KB PCT OR COMMA SN LC 10	ZK001AE2	30-21
- KB AST OR DOLR SNF LT CNT 14	ZK001AF2	32-21
- KB LESS THN OR . SN LC 18	ZK001AG2	34-12
- KB 1 OR U LC 28	ZK001AH2	36-11
- KB 4 OR J LC 29	ZK001AJ2	38-21
- DASH KEY LC 30	ZK001AK2	40-1
- KB 7 OR M LC 31	ZK001AL2	42-12
- KB 2 OR I LC 32	ZK001AM2	44-12
- KB 5 OR K LC 33	ZK001AN2	46-2
- KB 0 OR SLASH SN LC 34	ZK001AP2	48-21
- KB 8 OR COMMA SN LC 35	ZK001AQ2	50-3
- KB 3 OR O LC 36	ZK001AR2	52-21
- KB 6 OR L LC 37	ZK001AS2	54-2
- KB 9 OR . SN LC 39	ZK001AU2	56-21
- KB P OR APPRSND SN LC 40	ZK001AV2	58-2
- KB Q OR PLUS SN LC 4	ZK002AA2	60-2
- KB W OR UNSCOR SN LC 8	ZK002AB2	62-21
- KB S OR GRT THAN SN LC 9	ZK002AC2	64-21
- KB X OR QUES MK LC 11	ZK002AD2	66-2
- KB E OR RT PAREN LC 12	ZK002AE2	68-11
- KB D OR COLON LC 13	ZK002AF2	70-2
- KB C OR DBL QUOTE LC 15	ZK002AG2	72-12
- KB R OR CENT SN LC 16	ZK002AH2	74-21
- KB F OR SEMI COLON LC 17	ZK002AJ2	76-11
- KB V OR EQUAL SN LC 19	ZK002AK2	78-2
- KB Y OR O.B.2 LC 20	ZK002AL2	80-21
- KB G OR SN LC 21	ZK002AM2	82-12
- KB B OR EXCLAM SN LC 23	ZK002AN2	84-12
- KB Y OR I LC 24	ZK002AP2	86-21
- KB H OR PRIME SN LC 25	ZK002AQ2	88-12
- KB N OR LT PAREN LC 27	ZK002AR2	90-2



LOC. TYPE  
A-A1U4 L378



PAGE VER EC LEV  
DA010 000 920496  
DA011 000 920460

000 DA010 DA011

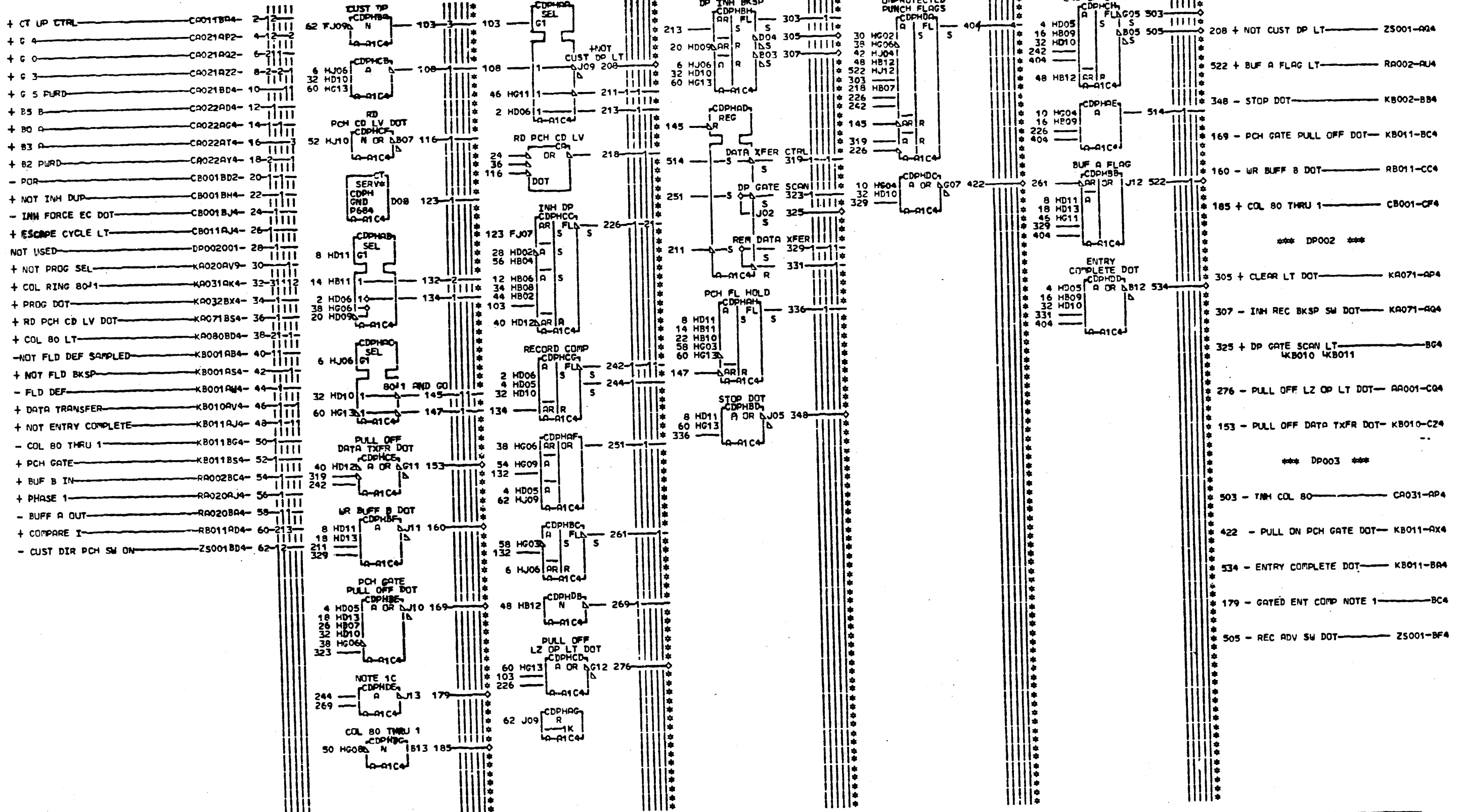
223 - ALPHA SERIAL KEYBD DATA DOT—BJ4  
LDA001

171 - ALPHA SERIAL KEYBD DATA DOT—BK4  
LDA001

204 - ALPHA SERIAL KEYBD DATA DOT—BD4  
LDA001

ALPHA ENCODER 57	
E.C.—HISTORY—920240 920460	R. NACH. SM 29 FRAME 01
DATE LAST EC 07-28-71 920496	IBM CORP.—P8 P.N. 964070

DA010  
DA011  
000



LDC TYPE  
A-1C4 P684

PAGE VER EC LEV  
DP001 000 920753  
DP002 000 920753  
DP003 000 920753

CUSTOMER DIRECT PCH SM			
E.C. HISTORY		MACH. SM 129	
920410	920496	FRAME 01	DP001
920432	920608		
920460	920581	IBM CORP. PD	DP003
920482	920730		
DATE	LAST EC	P.N. 964071	000
06-05-72	920753		

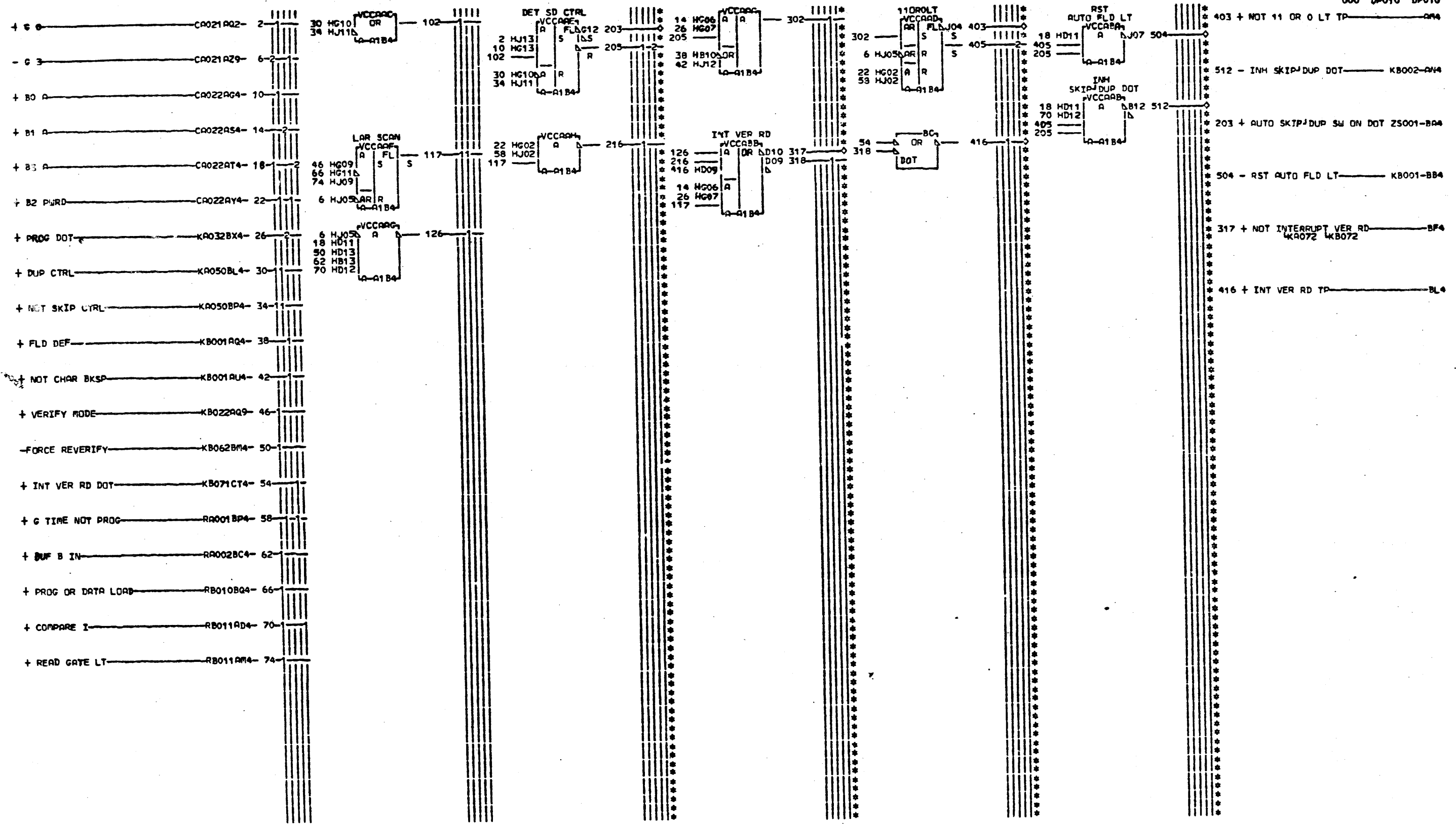
C. NOTE 1. WITH CUST DIRECT PCH FEATURE INSTALLED PIN J13 IS WIRED TO PIN BOB ON PAGE A001 WITHOUT CUST DIRECT PCH FEAT INSTALLED SIGNAL GATED ENTRY COMPLETE IS NOT USED AND PIN IS FLOATING.

DP001

DP003

000





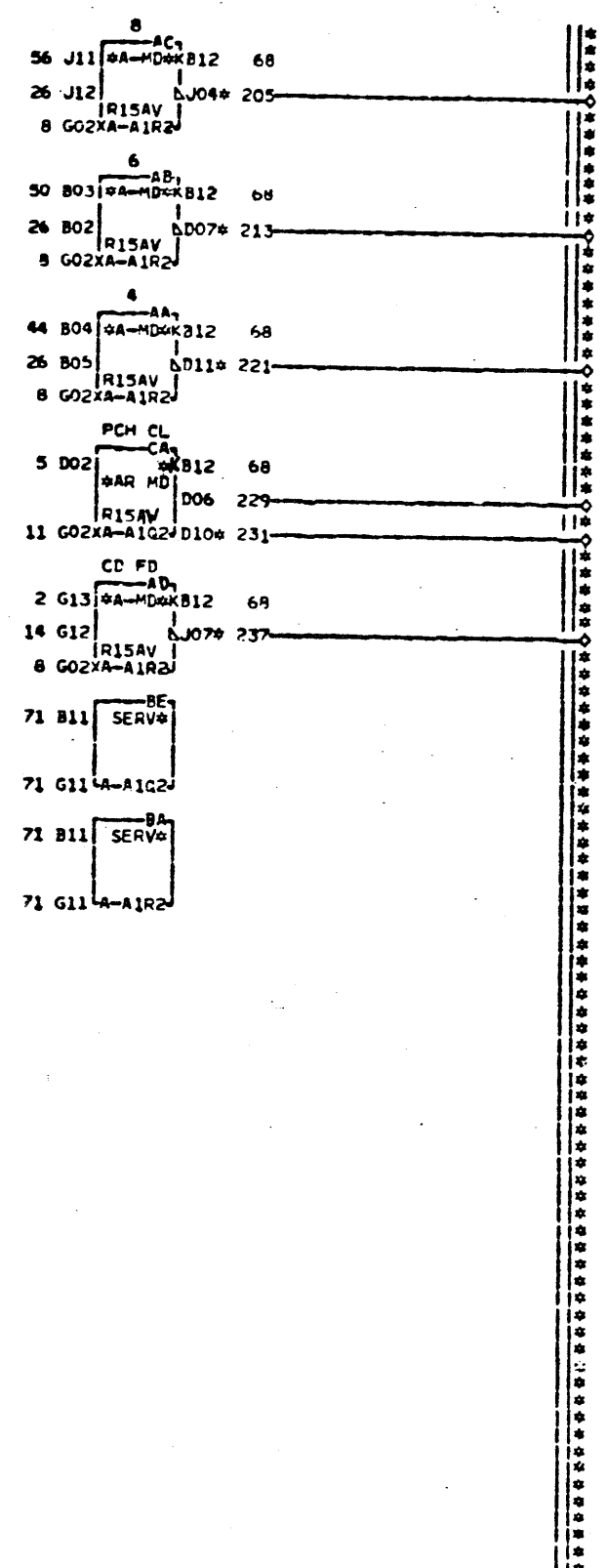
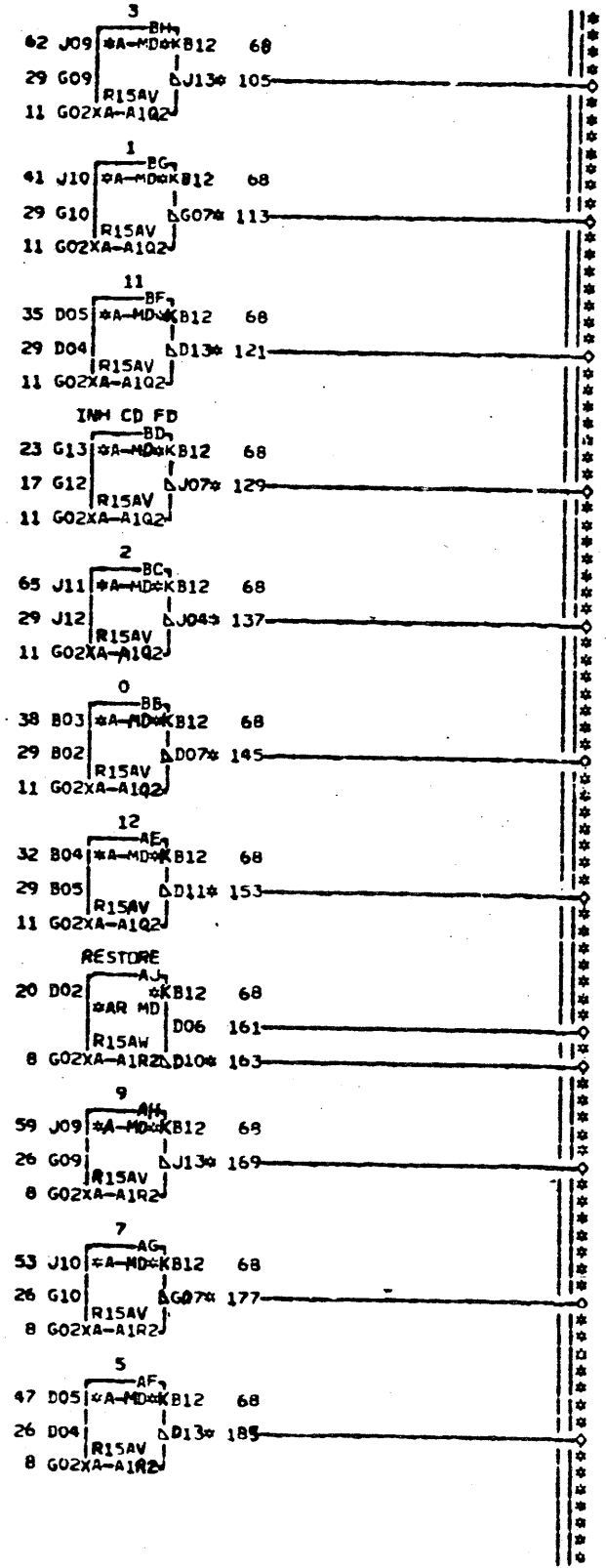
LDC TYPE  
A-1B4 N766

PAGE VER EC LEV  
DP010 000 920753

VERIFY CARD CTRL FEATURE SP			
E.C. HISTORY		PACH. SP129	
920240	920495	FRAME	C1 DP010
920410	920581	IBN CORP.	DP010
920432			
920460			
DATE	LAST EC	P.N.	964072 000
06-05-72	920753		

DP010  
DP010  
000

+ CD FD CYCLE-----CB001AK4-- 2-  
 + PURCH CYCLE-----CB001AX4-- 5-  
 PWR UP ONE-----CB001BN2-- 8-  
 PWR UP TWO-----CB001BN6-- 11-  
 NOT USED-----KA001017-- 14-  
 NOT USED-----KA010015-- 17-  
 + KYBD RESTORE-----KA040BZ4-- 20-  
 + REG CYCLE-----KA072BJ4-- 23-  
 + P5 A-----KB021BB4-- 26-33  
 + P5 B-----KB021BV4-- 29-  
 + OUTPUT LT 12-----KB031AN4-- 32-1  
 + OUTPUT LT 11-----KB031AQ4-- 35-1  
 + OUTPUT LT 0-----KB031AS4-- 38-1  
 + OUTPUT LT 1-----KB031AU4-- 41-1  
 + OUTPUT LT 4-----KB032AS4-- 44-1  
 + OUTPUT LT 5-----KB032AU4-- 47-1  
 + OUTPUT LT 6-----KB033AN4-- 50-1  
 + OUTPUT LT 7-----KB033AQ4-- 53-1  
 + OUTPUT LT 8-----KB033AS4-- 56-1  
 + OUTPUT LT 9-----KB033AU4-- 59-1  
 + INTPR 3-----KB033CC4-- 62-1  
 + INTPR 2-----KB033CD4-- 65-1  
 +48VDC-----YA001AA3-- 68-85  
 +48VDC RETURN-----YA001AA7-- 71-1



\*\*\* KA001 \*\*\*  
 000 KA001 KA010  
 221 4 INTPR-----ZM001-AA4  
 213 6 INTPR-----ZM001-AB4  
 205 8 INTPR-----ZM001-AC4  
 237 -CARD FEED CLUTCH MAGNET- ZM001-AD4  
 185 5 INTPR-----ZM001-AF4  
 177 7 INTPR-----ZM001-AG4  
 169 9 INTPR-----ZM001-AH4  
 161 NOT USED-----AJ4  
 163 -KYBD RESTORE MAGNET- ZM001-AJ6  
 \*\*\* KA010 \*\*\*  
 153 12 INTPR-----ZM001-AA4  
 145 0 INTPR-----ZM001-AB4  
 137 2 INTPR-----ZM001-AC4  
 129 - INHIBIT CARD FEED MAGNET- MD4  
 ZM001  
 121 11 INTPR-----ZM001-AF4  
 113 1 INTPR-----ZM001-AG4  
 105 3 INTPR-----ZM001-AH4  
 229 NOT USED-----AJ4  
 231 - PUNCH MAGNET-----ZM001-AJ6

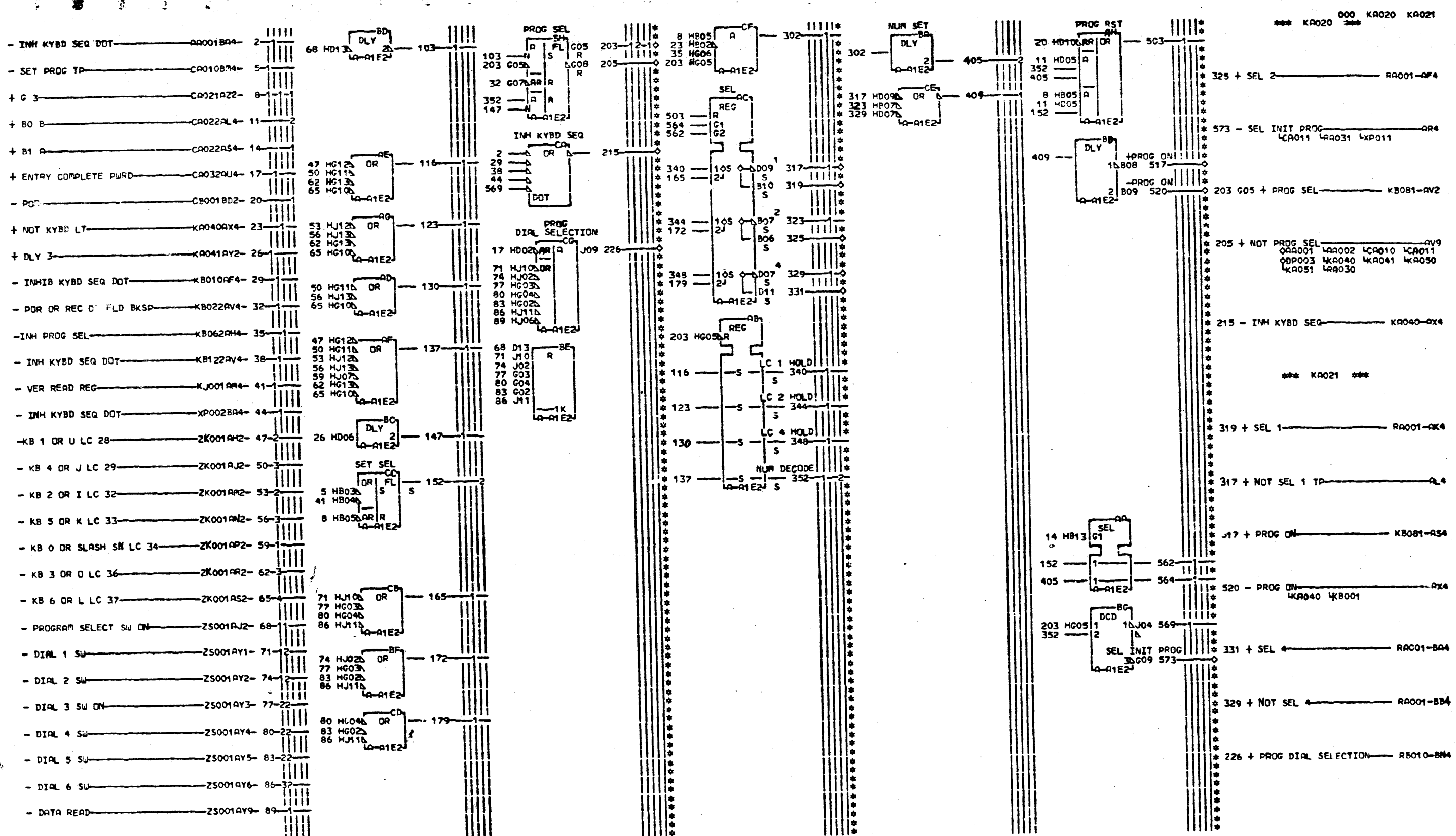
KA001  
 KA010  
 000

EDGE CONN. 177 A-A1U3D06  
 105 A-A1U3B13 185 A-A1U3D04  
 113 A-A1U3B11 205 A-A1U3D07  
 121 A-A1U3B09 213 A-A1U3D05  
 129 A-A1U3D12 221 A-A1U3D02  
 137 A-A1U3B12 231 A-A1U3S04  
 145 A-A1U3B10 237 A-A1U3B03  
 153 A-A1U3B08  
 163 A-A112B07  
 169 A-A1U3D09

LOC. TYPE  
 A-A1Q2 M632  
 A-A1R2 M632

PAGE VER EC LEV  
 KA001 000 920240  
 KA010 000 920240

CUIL DRIVERS SM  
 E-C-HISTORY-P MACH 5M129  
 FRAME 01 KA001  
 IBM CORP. PD KA010  
 DATE LAST EC  
 03-26-71 920240 P.N. 964073 000



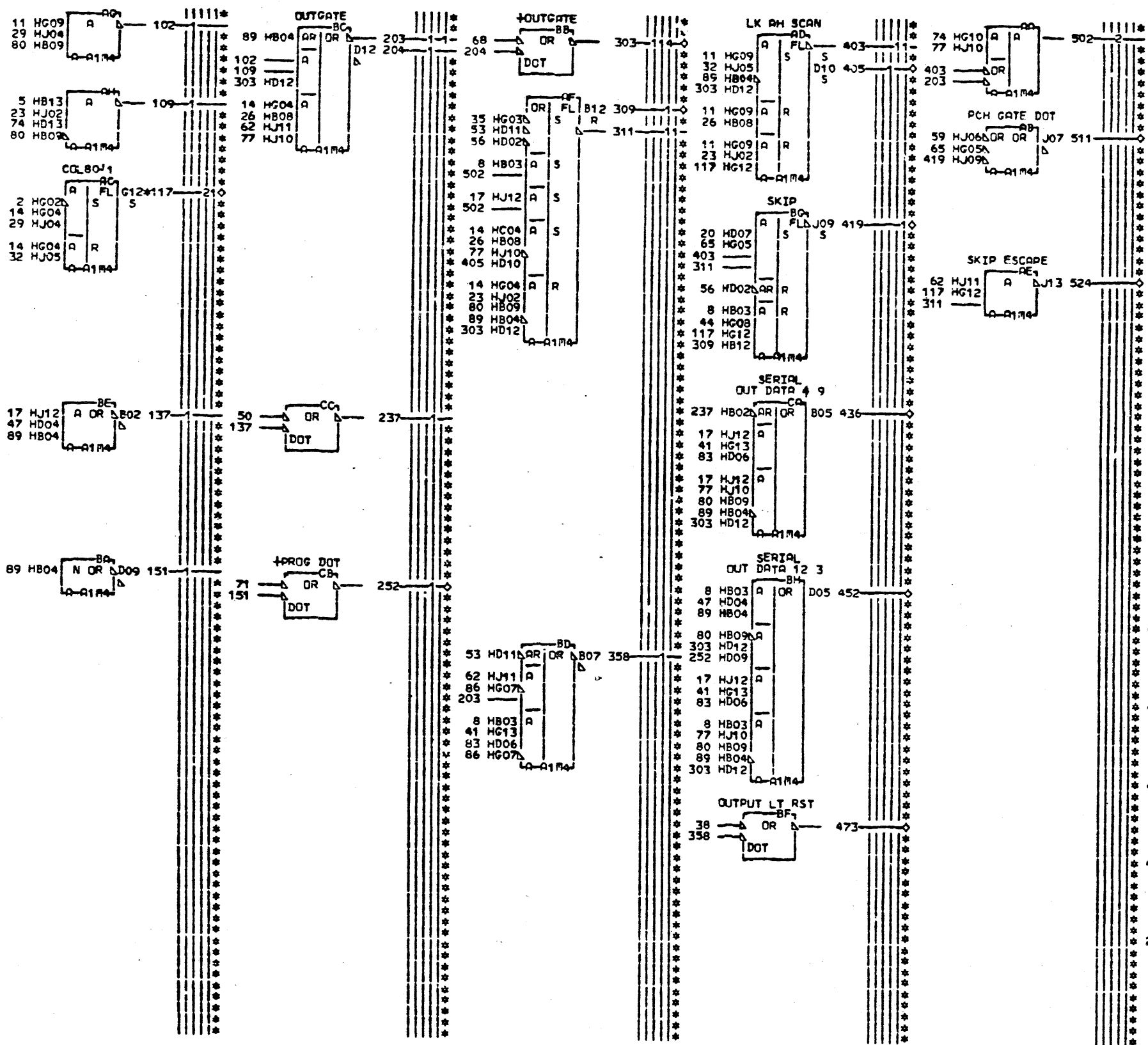
LOC. TYPE  
A-A1E2 M764

PAGE VER EC LEV  
KA020 000 920753  
KA021 000 920581

KA020  
KA021  
000

PROG SEL CTRL SM			
E.C.	HISTORY	MACH.	SM 29
920240	920581		
920432	920730	FRAME	01 KA020
920460			
920496		IBM CORP.	PD KA021
DATE	LAST EC	P.No.	964074 000
06-05-72	920753		

- CR 80 CA005AC4- 2-1111  
 + G 2 CA021A12- 5-1  
 + G 4 CA021AP2- 8-23  
 + G 0 CA021A22- 11-1-3  
 + G 3 CA021A2Z- 14-212  
 + G 5 CA021BA2- 17-1-3  
 + G 1 CA021BB2- 20-1  
 + B5 B CA022AD4- 23-1-1  
 + B0 A CA022AG4- 26-1  
 + B2 CA022AH4- 29-2  
 + B1 A CA022AS4- 32-1  
 - PDR CB001BD2- 35-1  
 - RST OUTPUT LT DOT CB001BQ4- 38-1  
 + NOT ESCAPE CYCLE LT CB011AK4- 41-1  
 + NOT M3 CB011BA9- 44-1  
 + SERIAL KEYBD DATA DA002BN4- 47-1  
 NOT USED ACC FEAT KA032023- 50-1  
 - COL 82 AND M2 KA080AP4- 53-2  
 - RST SKIP KA080BM4- 56-1  
 + COL 81 LT KA081AZ4- 59-1  
 + SCAN KB011BE4- 62-1  
 + P3 KB021BF4- 65-1  
 + OUTGATE DOT KB101CK4- 68-1  
 + PROG RA001BB4- 71-1  
 + PHASE 1 RA020AJ4- 74-1  
 + BUFF B OUT RA020BJ4- 77-1  
 + NOT PROG PCH OUT LT RA031AQ4- 80-2-13  
 + READ LT PWRD RB010BX4- 83-12  
 + READ GATE LT RB011AM4- 86-2  
 - CE DIRECT PUNCH SW OFF Z5001AV2- 89-2114



\*\*\* KA031 \*\*\*  
 511 + PCH GATE DOT KB011-AM  
 117 + COL RING 801- AK4  
 OCB011 DPO01 LPP002 LPP003  
 OKA060 KKA072 KKA080 KKA091  
 OKB010 KKB011 KKB022 KKB072  
 KRA030 KRB010 LXP002 LXP011  
 405 + LOOK AHEAD SCAN KA080-BC4  
 524 - SKIP ESCAPE KA072-BE4  
 309 + NOT OUTSKIP TP BQ4  
 \*\*\* KA032 \*\*\*  
 303 + OUTGATE CA4  
 OKA060 KKA061 KKA080 KKB011  
 KKB032 KKB033  
 473 - OUTPUT LT RST BE4  
 KKB031 KKB032 KKB033  
 419 + NOT SKIP BC4  
 LCB001 KKA061 KKB010  
 452 + SERIAL OUT DATA 12 3 BH4  
 KKB031 KKB032  
 436 + SERIAL OUT DATA 4 9 BJ4  
 KKB032 KKB033  
 252 + PROG DOT BX4  
 ODP002 LDP010 KKB001 KKB071  
 LBA001

EDGE CONN.  
117 A-A1N6D04

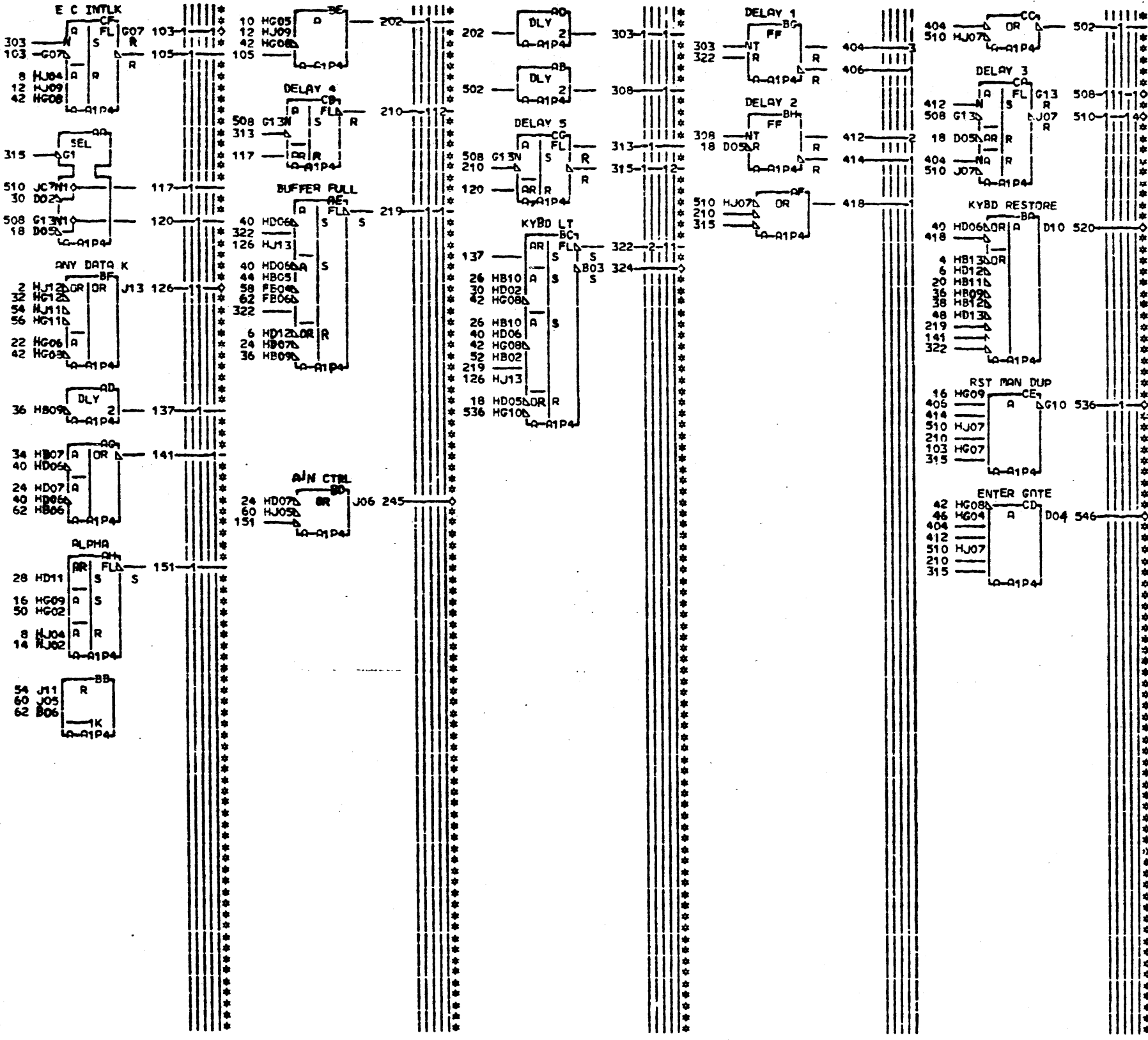
LOC. TYPE  
A-A1M4 M762

PAGE VER EC LEV  
KA031 000 920753  
KA032 000 920496

KA031  
KA032  
000

OUTPUT CTRL SM			
-E.C.-HISTORY-	-MACH. S7129		
920240	920496	FRAME	01 KA031
920410	920608	IBM CORP-PD	KA032
920432		P.No.	964075 000
920482			
DATE	LAST EC		
06-05-72	920753		

- GATED L2 KEY LT - RA001AT4- 2  
 + NOT L2 SHIFT LTH - RA001BR4- 4  
 - POR C - CA010BL4- 6  
 + C D PURD - CA021AS4- 8-2  
 + C S PURD - CA021BD4- 10  
 + B5 B - CA022AD4- 12  
 + B0 B - CA022AL4- 14  
 + B3 B - CA022AU4- 16  
 - POR - CB001BD2- 18  
 + JT INH DUP - CB001BH4- 20  
 + SERIAL KYBD DATA - DA002BN4- 22  
 + NOT PROG SEL - KA020AV9- 24-2  
 - INH KYBD SEQ - KA020AX4- 26  
 - PROG ON - KA021AX4- 28  
 + PAN DUP - KA050AV4- 30  
 - SKIP KEY DEPRESSED - KA050BZ4- 32  
 + NOT R/P CV LV LT - KA071BH4- 34  
 + NOT KYBD FLD BKSP - KB001AM4- 36-1  
 + NOT FLD BKSP - KB001AS4- 38  
 + NOT ENTRY COMPLETE - KB011AJ4- 40-22  
 - COMPARE 2 - KB022BR4- 42-2  
 + NOT INH VER OK - KB063AT4- 44  
 + NOT VER LOCK KYBD - KB072AV4- 46  
 - VER KYBD RESTORE - KB101AR4- 48  
 + GATED PROG - RA001BL4- 50  
 + PHASE 1 - RA020AJ4- 52  
 - KB SPACE LC 38 - ZK001AT2- 54-2  
 - KB RELEASE LC 42 - ZK001AX2- 56-1  
 - DUP KEY SW ON - ZS001AQ2- 58  
 - ALPHA KEY SW ON - ZS001AC2- 60-1  
 - RECORD ADVANCE SW ON - ZS001AX4- 62-2



\*\*\* KA040 000 KA040 KA041 \*\*\*  
 324 + NOT KYBD LT - AX4  
 RA001 LA002 LA003 LA010  
 OKA021 LA050 LA021 LA022  
 LA061 LA0120 LA030 LXP011  
 520 + KYBD RESTORE - BZ4  
 LA001 LA050  
 \*\*\* KA041 \*\*\*  
 245 + R/N CTRL - KB021-AR4  
 126 + ANY DATA KEY - KB002-AL4  
 508 + DLY 3 - AY2  
 LA020 LA0121 LA030  
 510 - DLY 3 - RA030-AY9  
 536 - RST MAN DUP - KA050-BL4  
 546 + ENTER GATE - BT4  
 RA001 LA002 LA010 LA011  
 OKA050 LA051 LA001 LA081  
 LA082 LA0121 LA0122 LXP01  
 103 + E C INTLK - BU2  
 LA010 LA001

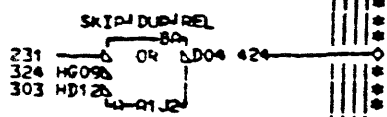
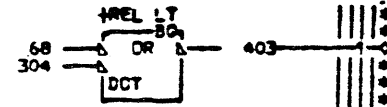
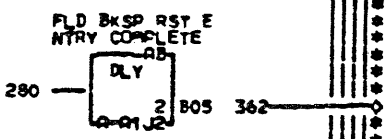
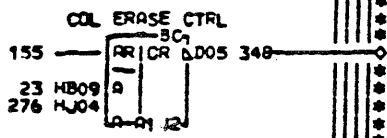
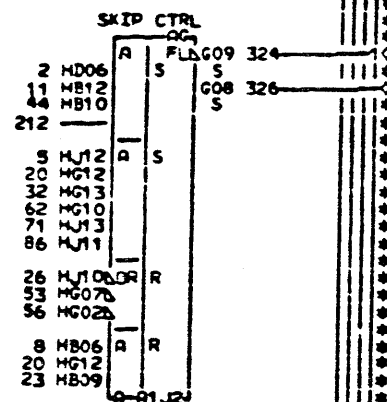
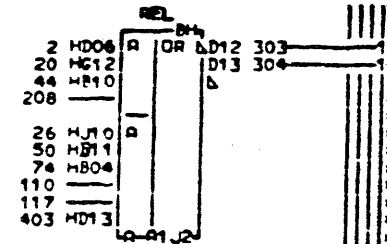
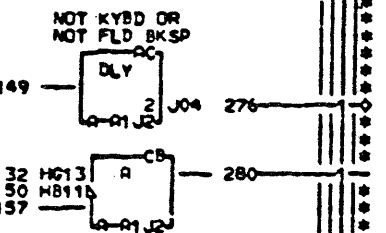
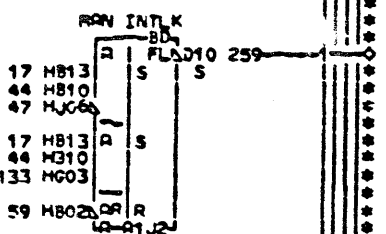
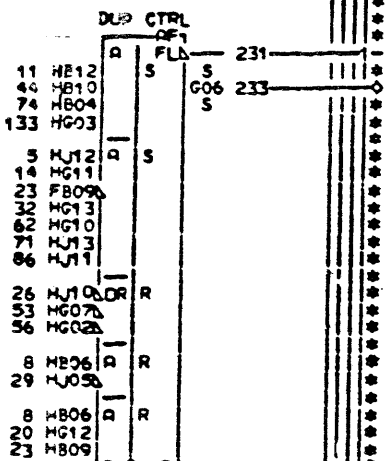
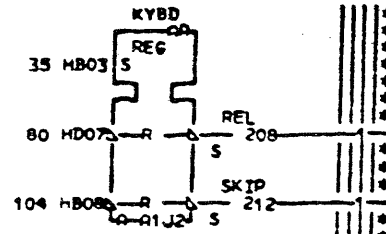
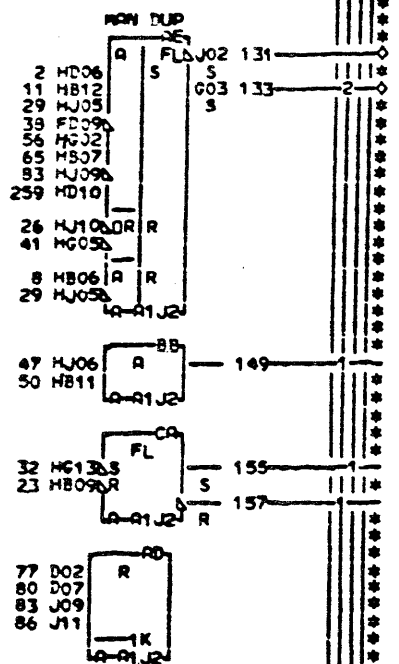
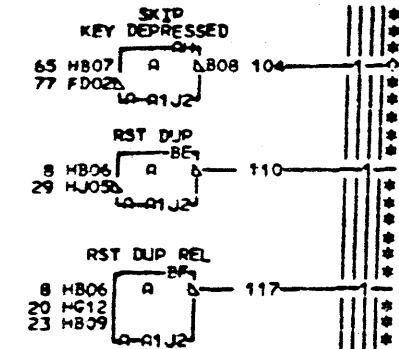
LDC TYPE  
A-11P4 P298

PAGE VER EC LEV  
KA040 000 920641  
KA041 000 920753

KYBD LT RESTORE SR			
-E.C.-HISTORY--B-MACH-57129			
920240	920581		
920460	920641	FRAME	01 KA040
920496	920730		
920578		IBM COMP.PD	KA041
DATE	LAST EC		
06-05-72	920753	P.N. 964076	000

KA040  
KA041  
000

+ NOT PR INTLK LT CA010AN4 2-1-2  
 + NOT REC BKSP LT CA010BC4 5-1-1  
 + G O PURD CA021AS4 8-32-1  
 + G 3 PURD CA021BC4 11-1-1  
 + B2 CA022AH4 14-1-1  
 + B4 CA022AJ4 17-2-1  
 + B1 B CA022AV4 20-1-1  
 + ENTRY COMPLETE PURD CA032AU4 23-22-2  
 - POR CB001BD2 26-1-2  
 + NOT INH DUP CB001BH4 29-3-1  
 + NOT PROG SEL KA020AV9 32-12-1  
 + NOT KYBD LT KA040AX4 35-1-1  
 + KYBD RESTORE KA040BZ4 38-1-1  
 - RST MAN DUP KA041BL4 41-1-1  
 + ENTER GATE KA041BT4 44-3-2  
 + NOT KYBD FLD BKSP KB001AM4 47-1-1  
 + NOT FLD BKSP KB001AS4 50-1-1  
 + NOT CHAR BKSP KB001AJ4 53-1-1  
 - INHIB SKIP/DUP KB002CQ4 56-1-1  
 - RST MAN INTLK KB022AP4 59-1-1  
 + NOT VER LOCK KYBD KB072AW4 62-1-1  
 + NOT VER INH SK DUP LT KB081BA4 65-2-1  
 + REL LT DOT KB101CL4 68-1-1  
 + GATED PROC RA001BL4 71-1-1  
 - CLR OR REC BKSP OR PRO LD RA001BW4 74-1-1  
 - KB SKIP LC 41 ZX001AW2 77-2-1  
 - KB RELEASE LC 42 ZX001AX2 80-1-1  
 - DUP KEY SW ON ZS001AA2 83-2-1  
 + AUTO SKIP DUP SW ON ZS001BL4 86-1-1



\*\*\* KA030 \*\*\*  
 133 + MAN DUP KA040 KA041  
 131 + NOT MAN DUP CA010 KB061 KA030 LXP001  
 233 + DUP CTRL CCA001 HD010 KB101 KB121 KA031  
 326 + SKIP CTRL RA002-BM4  
 324 + NOT SKIP CTRL DP010-BP4  
 104 - SKIP KEY DEPRESSED KA041-BZ4  
 424 - SKIP DUP REL KA002 KA011 KA030  
 \*\*\* KA031 \*\*\*  
 276 + NOT KYBD OR NOT FLD BKSP CCA002 KA011 KB061 KB063 KB061 KB062 KB011  
 348 - COL ERASE CTRL RA002-AS4  
 259 + NOT MAN INTLK KB001-AV4  
 403 + REL LT KB071 KB010 LXP01  
 303 + NOT REL LT CCA010 KB061 KB062 KB063 KB062  
 362 + FLD BKSP RST ENTRY COMPLETE CBA KB011

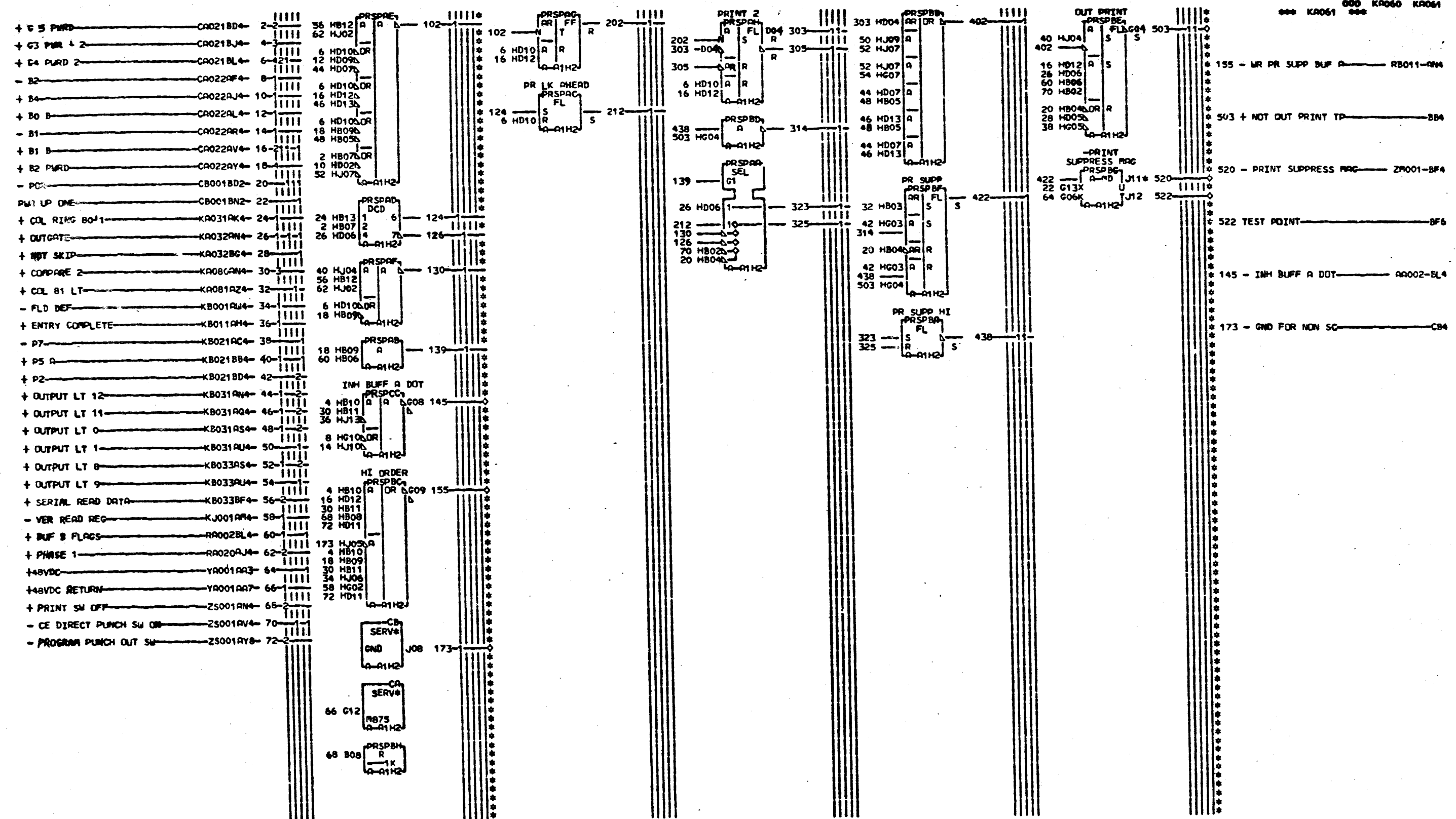
A. NOTE CARD 5862761 MAY BE IN J2  
 SOCKET. CARD 5863211 IS ITS  
 REPLACEMENT.

KA050  
 KA051  
 000

LOC. TYPE  
 A-A1 J2 P211

PAGE VER EC LEV  
 KA050 000 920730  
 KA051 000 920578

SKIP DUP SA			
E.C. HISTORY	DATE	BY	REASON
920240	920578	PRAME	01 KA050
920432	920581		
920460	920641	IBM CORP. PD	KA051
920496			
DATE	LAST EC	P.No.	964077 000
04-10-72	920730		



A. NOTE PR SLPP CARD NOT USED IN MODEL 1

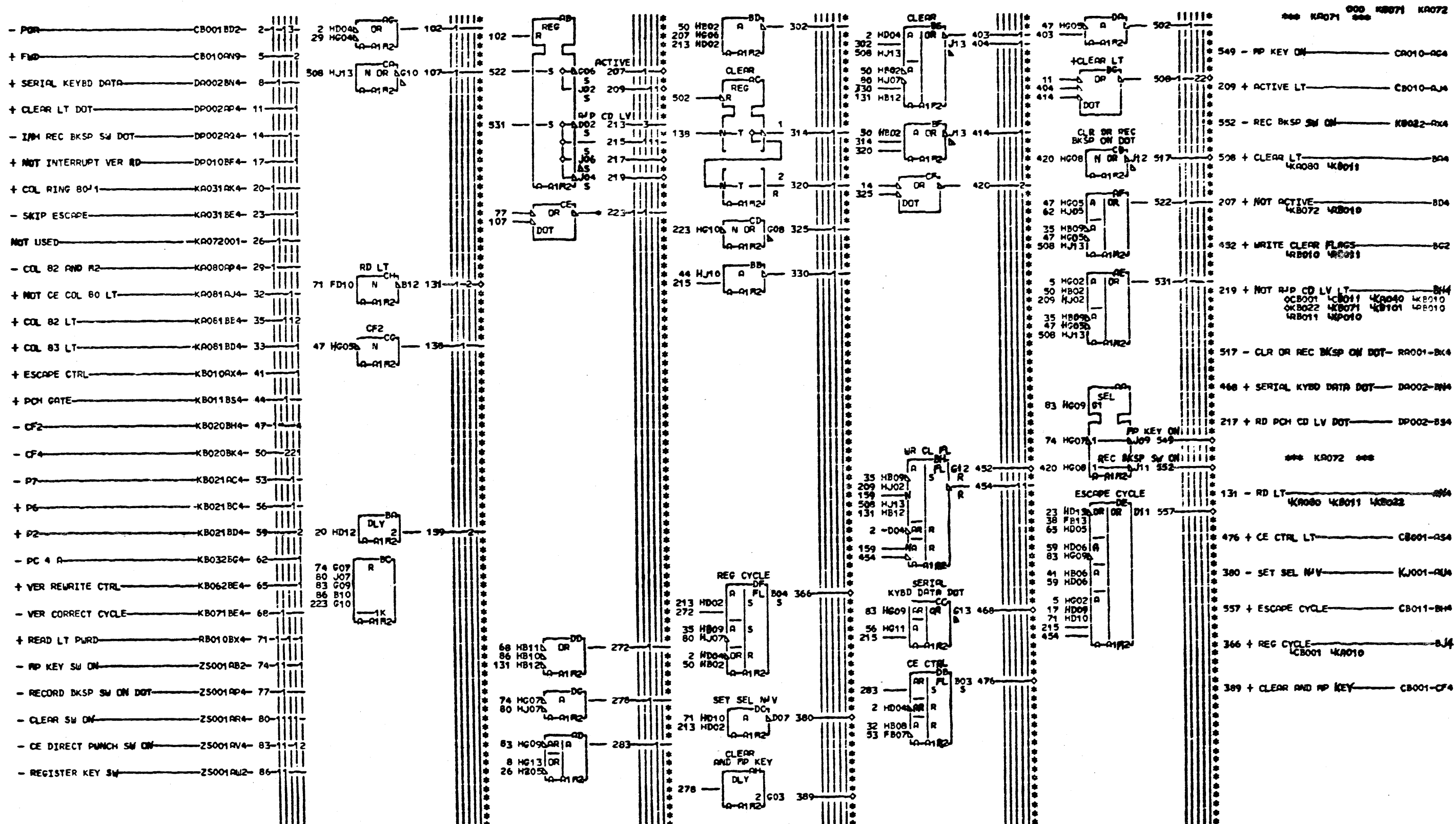
EDGE CONN. 520 A-A1U3B07

LOC. TYPE A-A1H2 M875

PAGE VER EC LEV  
 KA060 000 920581  
 KA061 000 920581

KA060  
 KA061  
 000

PRINT SLPPRESS SA			
E.C. HISTORY		PACH-SM129	
920240	920496	FRAME	01 KA060
920410		IBN CORP. PD	KA061
920432		P.N.	964078 000
920460			
DATE	LAST EC		
10-27-71	920581		



- PDR C8001BD2- 2-1-3
- + FND C8010AV9- 5-2
- + SERIAL KYBD DATA DA002BN4- 8-1
- + CLEAR LT DOT DP002AP4- 11-1
- IAN REC BKSP SW DOT DP002R24- 14-1
- + NOT INTERRUPT VER RD DP010BF4- 17-1
- + COL RING B01 KA031AK4- 20-1
- SKIP ESCAPE KA031BE4- 23-1
- NOT USED KA072001- 26-1
- COL B2 RND R2 KA080AP4- 29-1
- + NOT CE COL B0 LT KA081AJ4- 32-1
- + COL B2 LT KA061BE4- 35-12
- + COL B3 LT KA081BD4- 33-1
- + ESCAPE CTRL KB010AX4- 41-1
- + PCH GATE KB011BS4- 44-1
- CF2 KB020BH4- 47-1
- CF4 KB020BK4- 50-22
- P7 KB021AC4- 53-1
- + P6 KB021BC4- 56-1
- + P2 KB021BD4- 59-2
- PC 4 A KB032EG4- 62-1
- + VER REWRITE CTRL KB062BE4- 65-1
- VER CORRECT CYCLE KB071BE4- 68-1
- + READ LT PURD RB010BX4- 71-1
- RP KEY SW ON Z5001AB2- 74-1
- RECORD BKSP SW ON DOT Z5001AP4- 77-1
- CLEAR SW ON Z5001AR4- 80-1
- CE DIRECT PUNCH SW ON Z5001AV4- 83-1-2
- REGISTER KEY SW Z5001AW2- 86-1

- 549 - RP KEY ON C8010-AC4
- 209 + ACTIVE LT C8010-AJ4
- 552 - REC BKSP SW ON KB022-RX4
- 508 + CLEAR LT KB080 KB011
- 207 + NOT ACTIVE KB072 KB010
- 452 + WRITE CLEAR FLAGS KB010 KB011
- 219 + NOT RJP CD LV LT  
OC8001 LC8011 KB040 KB010  
OKB022 KB071 KB010 KB010  
KB011 KB010
- 517 - CLR OR REC BKSP ON DOT- RA001-BK4
- 468 + SERIAL KYBD DATA DOT DA002-BN4
- 217 + RD PCH CD LV DOT DP002-B34
- 131 - RD LT KB080 KB011 KB022
- 476 + CE CTRL LT C8001-AS4
- 380 - SET SEL NVV KJ001-AM4
- 557 + ESCAPE CYCLE C8011-BH4
- 366 + REG CYCLE C8001 KA010
- 389 + CLEAR AND RP KEY C8001-CF4

A NOTE 2765B

EDGE CONN.  
223 A-A1R2B09

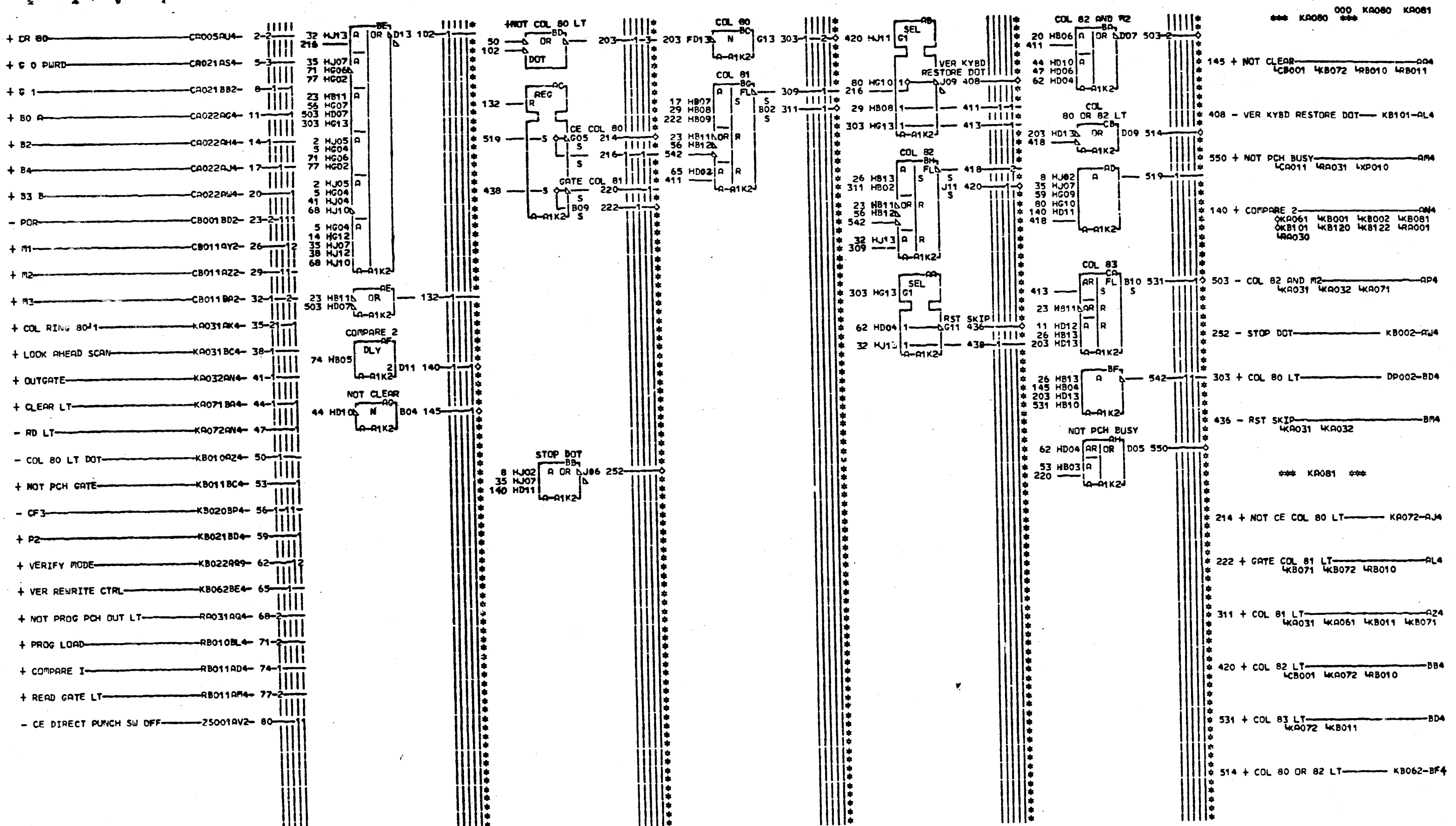
LOC. TYPE  
A-A1R2 N765

PAGE VER EC LEV  
KA071 000 920730  
KA072 000 920581

CTRL LTS SR			
E.C.	HISTORY	A	ADN-5M129
920240	920482		
920410	920496	FRAME	01 KA071
920432	920504		
920460		IBM CORP-PP	KA072
DATE	LAST EC	P.No	964879 000
04-10-72	920730		

KA071  
KA072  
000





000 KA080 KA081  
 \*\*\* KA080 \*\*\*

\*\*\* KA081 \*\*\*

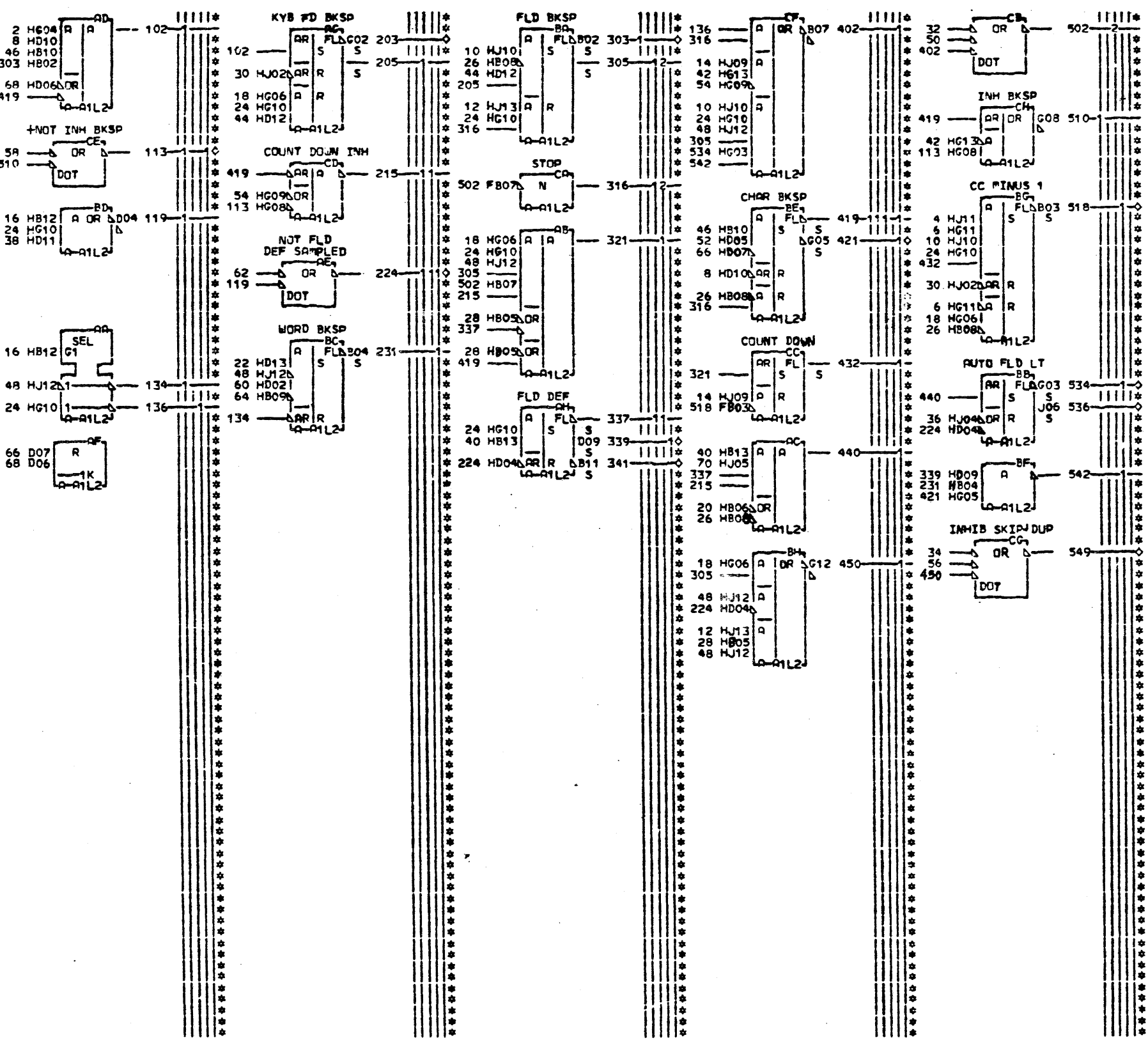
LOC. TYPE  
 A-A1K2 N764

PAGE VER EC LEV  
 KA080 000 920753  
 KA081 000 920496

END OF CARD SM		
-E.C.-HISTORY- B-MACH-SM129		
920240	920496	
920432	920730	FRAME 01 KA080
920460		
920482		IBM CORP.PD KA081
DATE	LAST EC	
06-05-72	920753	P.N. 964080 000

KA080  
 KP081  
 000

+ NOT LZ SHIFT LTM - AA001BR4- 2-  
 + NOT COL RING 1 - CA003AK9- 4-  
 + COL RING 2 - CA003AQ2- 6-  
 + NOT MP INTLK LT - CA010AN4- 8-  
 + G 4 PWRD - CA021AR4- 10-  
 + G 0 PWRD - CA021AS4- 12-  
 + G 3 - CA021AZ2- 14-  
 + G 1 - CA021BB2- 16-  
 + G 5 PWRD - CA021BD4- 18-  
 - B2 - CA022AF4- 20-  
 + B4 - CA022AJ4- 22-  
 + B0 B - CA022AL4- 24-  
 - B1 - CA022AR4- 26-  
 + ENTRY COMPLETE PWRD - CA032AU4- 28-  
 - PDR - CB001BD2- 30-  
 - STOP DOT - DP001BB4- 32-  
 - INH SKIP/DUP DOT - DP010AN4- 34-  
 - RST AUTO FLD LT - DP010BB4- 36-  
 - PROG ON - KA021AX4- 38-  
 + PROG DOT - KA032BX4- 40-  
 + ANY DATA KEY - KA041AL4- 42-  
 + ENTER GATE - KA041BT4- 44-  
 + NOT MAN INTLK - KA051AV4- 46-  
 + COMPARE 2 - KA080AN4- 48-  
 - STOP DOT - KA080AW4- 50-  
 - VER INH CHAR CKSP - KB062BU4- 52-  
 + NOT LZ LO FULL - KB082BF9- 54-  
 - VER INH DUP DOT - KB101AS4- 56-  
 + NOT INH BKSP LT DOT - KB101BT4- 58-  
 + BUF A FLAGS - RA002BM4- 60-  
 - NOT FLD DEF SAMPLED DOT - RA002CE4- 52-  
 - ALPHA KEY SW ON - ZS001AC2- 64-  
 - CHAR BKSP KEY SW NO - ZS001AE2- 66-  
 - FIELD WORD BKSP NO - ZS001AK2- 68-  
 + AUTO SKIP DUP SW ON - ZS001BL4- 70-



\*\*\* KBO01 \*\*\*  
 000 KBO01 KBO02  
 \*\*\* KBO02 \*\*\*  
 224 - NOT FLD DEF SAMPLED - AB4  
 LDP002 KB071 KB081  
 203 + NOT KYBD FLD BKSP - AB4  
 KRA040 KRA051 KB011 LXP002  
 339 + FLD DEF - AB4  
 LCA010 LDP010 KB120 KB122  
 303 + NOT FLD BKSP - AS4  
 QCB001 LDP003 KRA040 KRA051  
 KB061 KB101 LRA030  
 421 + NOT CHAR BKSP - AU4  
 QDP010 KRA050 KB021 KB120  
 LRA030  
 536 + AUTO FLD LT TP - AV4  
 341 - FLD DEF - BU4  
 QAA001 LAA002 LAA003 LDP002  
 KRA061 KRA081 LRA030  
 534 + NOT AUTO FLD LT - AV4  
 KB071 KB072  
 518 + NOT CC MINUS 1 - AX4  
 LCA005 LCA011  
 113 + NOT INH BKSP - BU4  
 KB082 KB120  
 549 - INHIB SKIP/DUP - KA050-CQ4

A-NOTE 1795B

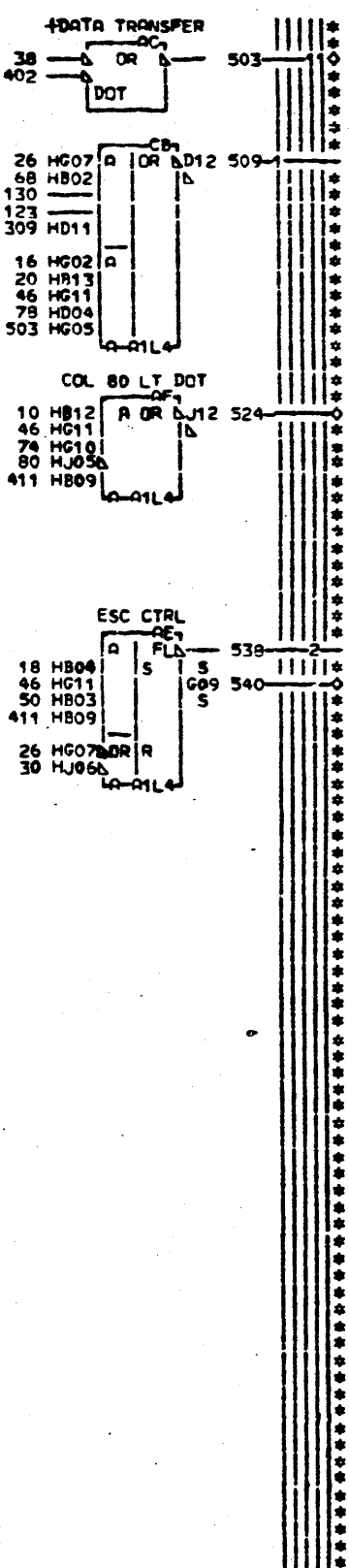
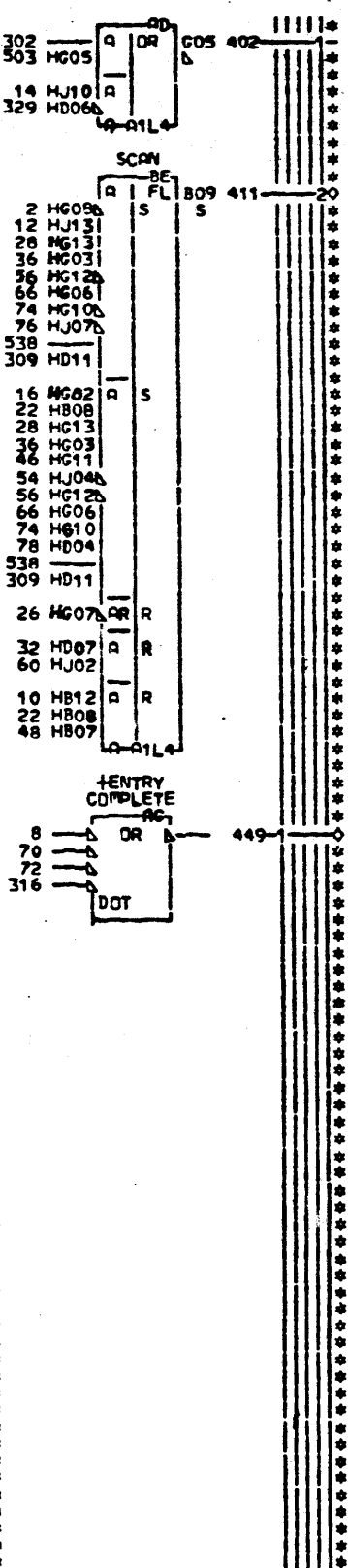
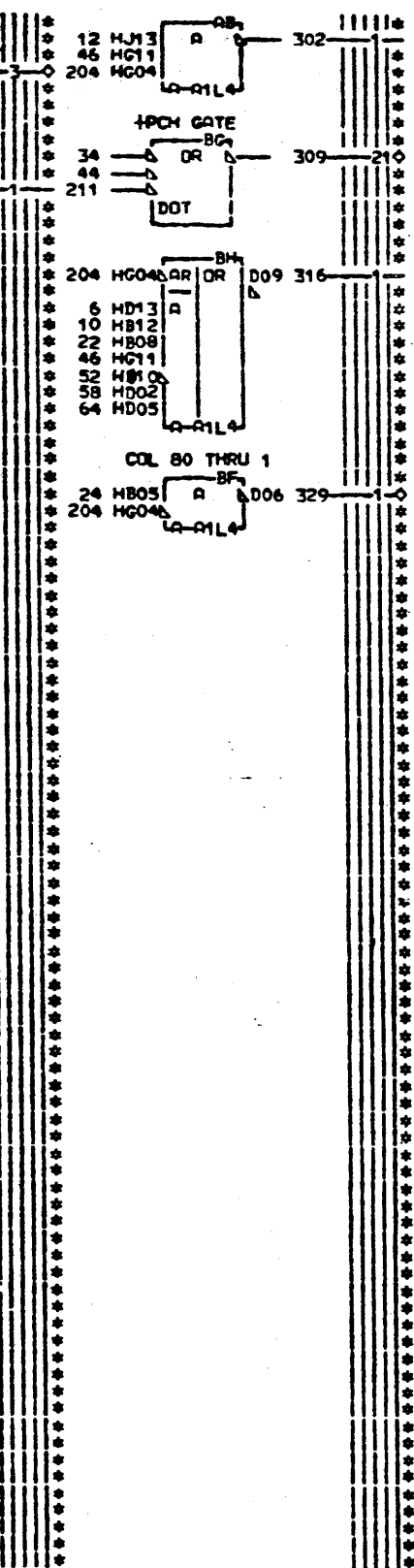
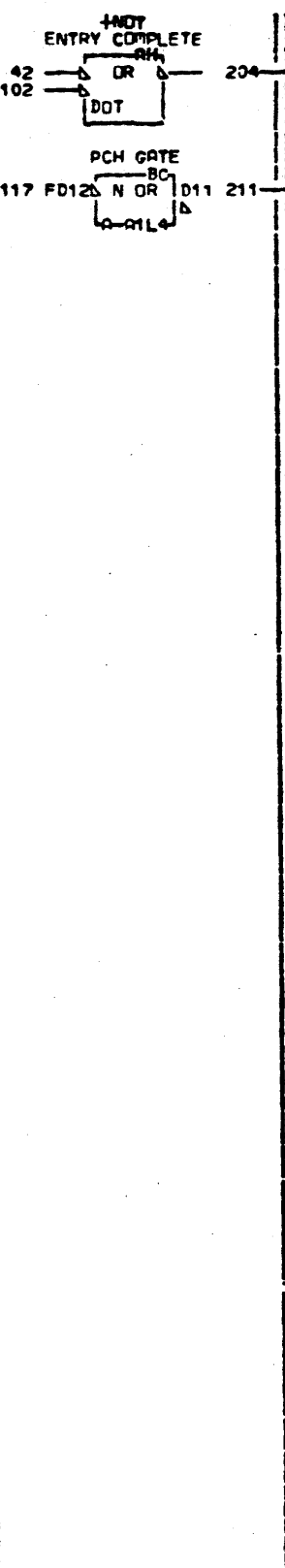
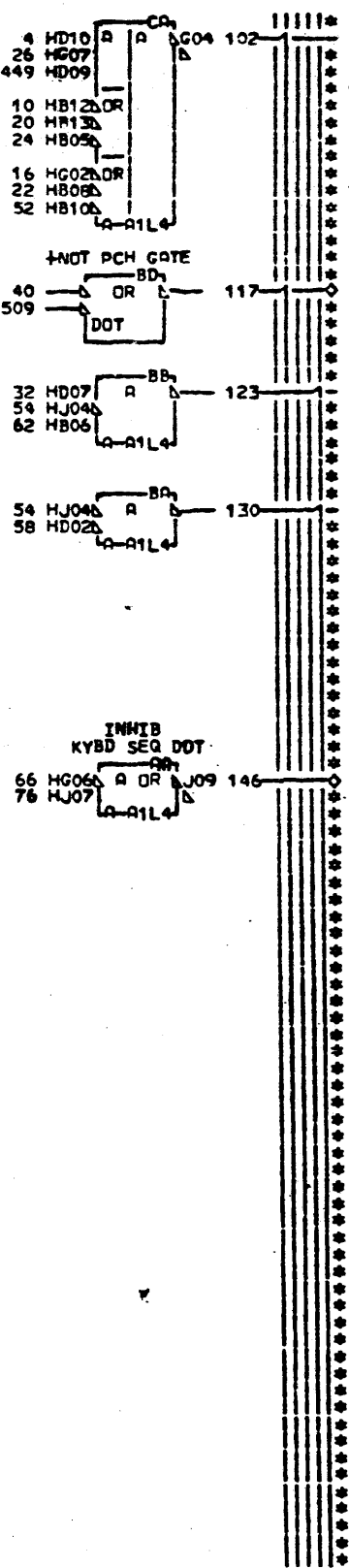
LOC. TYPE  
A-A1L2 A789

PAGE VER EC LEV  
KBO01 000 920753  
KBO02 000 920753

KBO01  
KBO02  
000

E.C. HISTORY		MACH. S/N 129	
920240	920482		
920410	920496	FRAME	01 KBO01
920432	920591		
920460	920641	IBM CORP. PD	KBO02
DATE	LAST EC		
06-05-72	920753	P.N.	964081 000

- CR 80 CA005AG4- 2  
 + NOT REC BKSP LT CA010BG4- 4  
 + CT UP CTRL CA011BA4- 6  
 + ENTRY COMP NOT LZ DOT CA011B4- 8  
 + G 4 PWRD CA021AR4- 10  
 + G 0 PWRD CA021AS4- 12  
 + G 1 CA021BR2- 14  
 + G 5 PWRD CA021BD4- 16  
 + B4 CA022AJ4- 18  
 + B0 B CA022AL4- 20  
 + B3 B CA022AW4- 22  
 - COL 80 CA031AR4- 24  
 - PDR CB001BD2- 26  
 + NOT ESCAPE CYCLE LT CB011AK4- 28  
 + NOT M1 CB011AY9- 30  
 + M2 CB011AZ2- 32  
 - PCH GATE PULL OFF DOT DP001BC4- 34  
 + DP GATE SCAN LY DP002BG4- 36  
 - PULL OFF DATA TXFR DOT DP002C24- 38  
 - PULL ON PCH GATE DOT DP003AX4- 40  
 - ENTRY COMPLETE DOT DP003BA4- 42  
 + PCH GATE DOT KA031AH4- 44  
 + COL RING 801 KA031AK4- 46  
 + OUTGATE KA032AN4- 48  
 + NOT SKIP KA032BG4- 50  
 + FLD BKSP RST ENTRY COMPLETE KA051CB4- 52  
 + CLEAR LT KA071BA4- 54  
 + NOT R/P CD LV LT KA071BH4- 56  
 - RD LT KA072AN4- 58  
 + COL 81 LT KA081AZ4- 60  
 + COL 83 LT KA081BD4- 62  
 + NOT KYBD FLD BKSP KB001AM4- 64  
 + PG KB021BC4- 66  
 + NOT PCH VER RST KB022BB9- 68  
 + ENTRY COMPLETE DOT KB063AH4- 70  
 + ENTRY COMPLETE DOT KB082AV4- 72  
 + NOT PROC PCH OUT LT RA031A04- 74  
 - CE DIRECT PUNCH SW OFF ZS001AV2- 76  
 - CE DIRECT PUNCH SW ON ZS001AV4- 78  
 - CUST DIR PCH SW ON ZS001BD4- 80



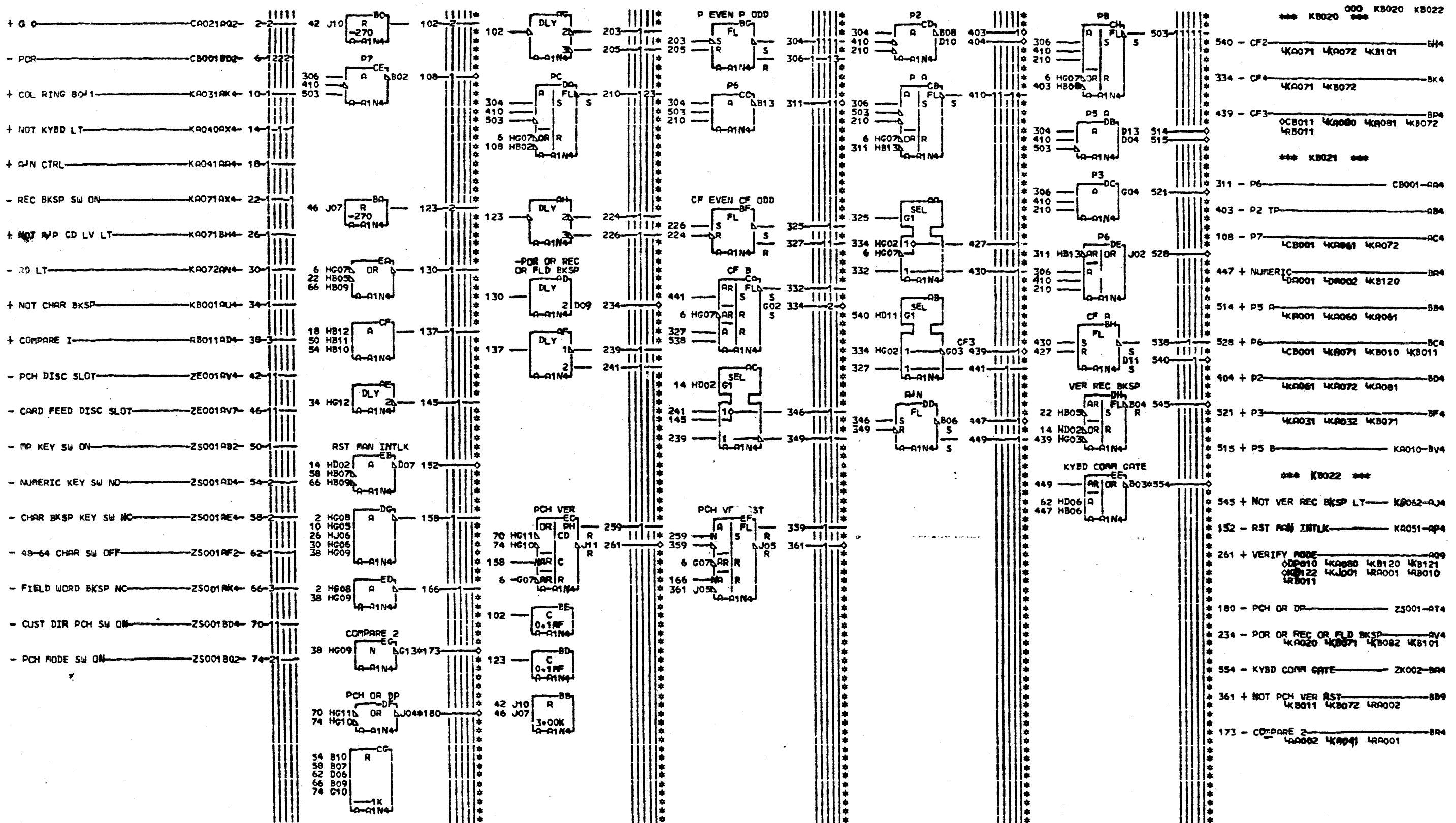
\*\*\* KB010 \*\*\*  
 146 - INHIB KYBD SEQ DOT KA020-AR4  
 503 + DATA TRANSFER AV4  
 LDP001 LDP003 LRA002 LXP011  
 540 + ESCAPE CTRL KA072-AX4  
 524 - COL 80 LT DOT KA080-AZ4  
 \*\*\* KB011 \*\*\*  
 449 + ENTRY COMPLETE QM4  
 OCA011 LCA032 KKA061 KKB062  
 KKB081  
 204 + NOT ENTRY COMPLETE AJ4  
 LAA001 LDP003 LKA040 LXP011  
 117 + NOT PCH GATE BC4  
 KKA080 KKB071 KKB072  
 411 + SCAN BE4  
 KKA031 KKA032 LKA002  
 329 - COL 80 THRU BC4  
 LCA010 LCB081 LDP001 KKB101  
 309 + PCH GATE BS4  
 LCB001 LDP003 LKA071

LDC TYPE  
A-114 R779

PAGE VER EC LEV  
KB010 000 920753  
KB011 000 920753

ENTRY COMPLETE SCAN SA			
E.C. HISTORY	B. MACH. SM129		
920240	920496		
920410	920608	FRAME 01	KB010
920432	920581		
920460		IBM CORP=PD	KB011
DATE	LAST EC		
06-05-72	920753	P.N. 964082	000

KB010  
KB011  
000



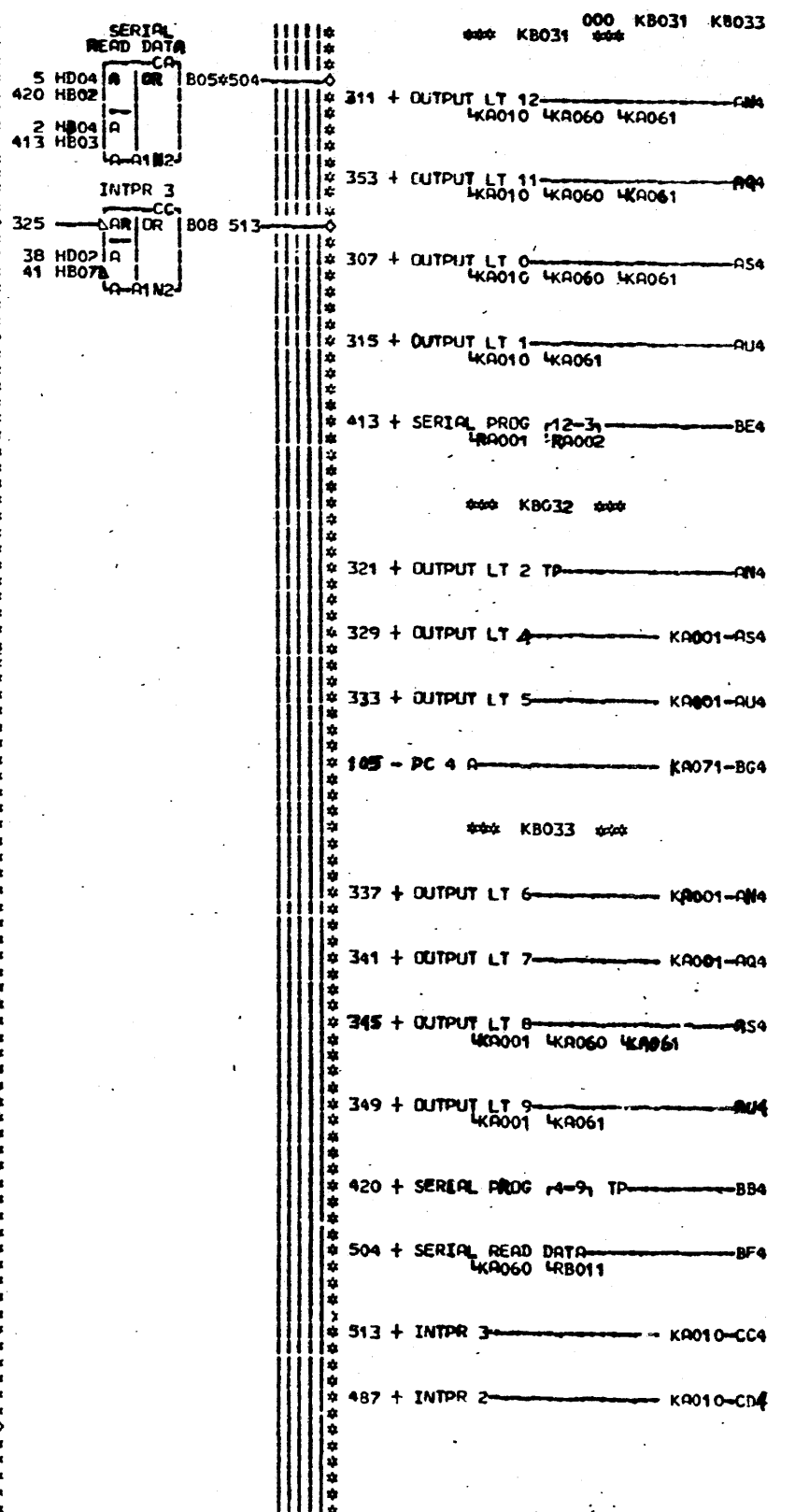
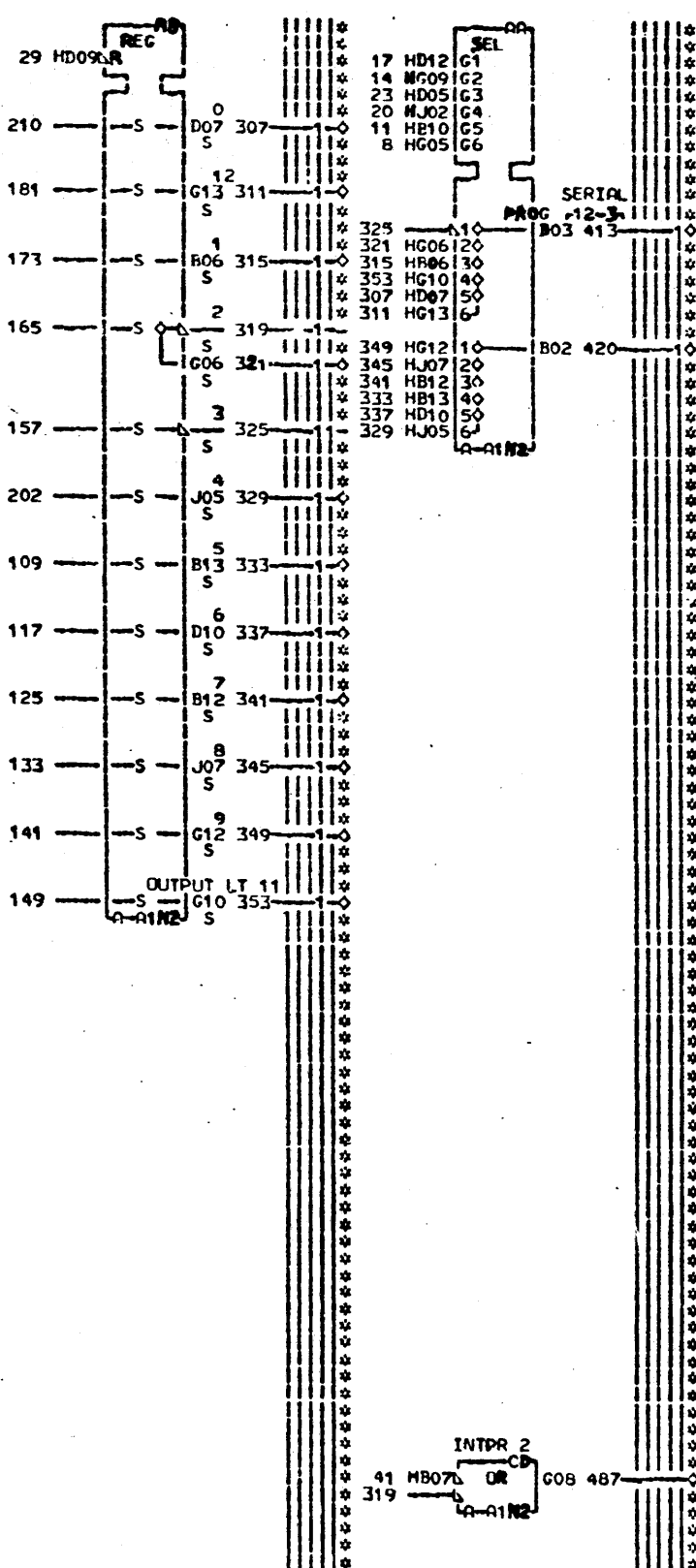
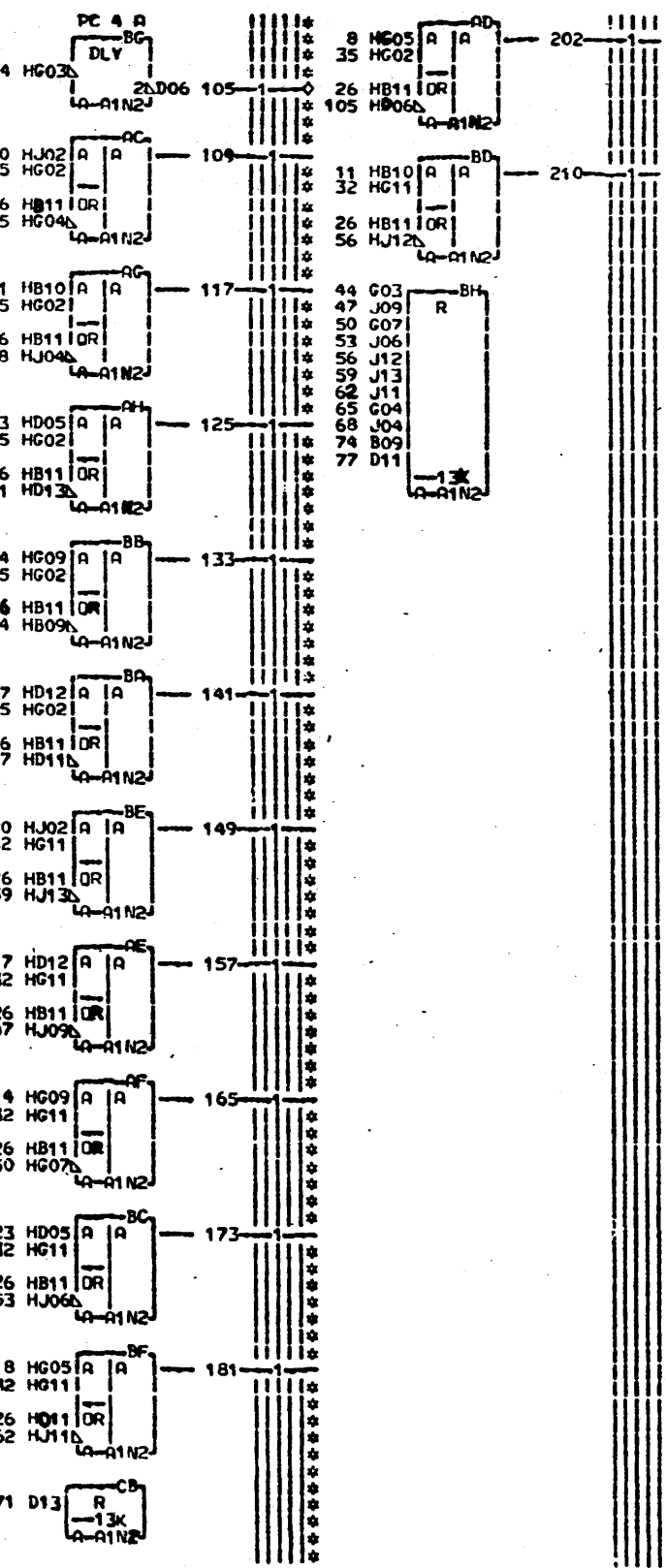
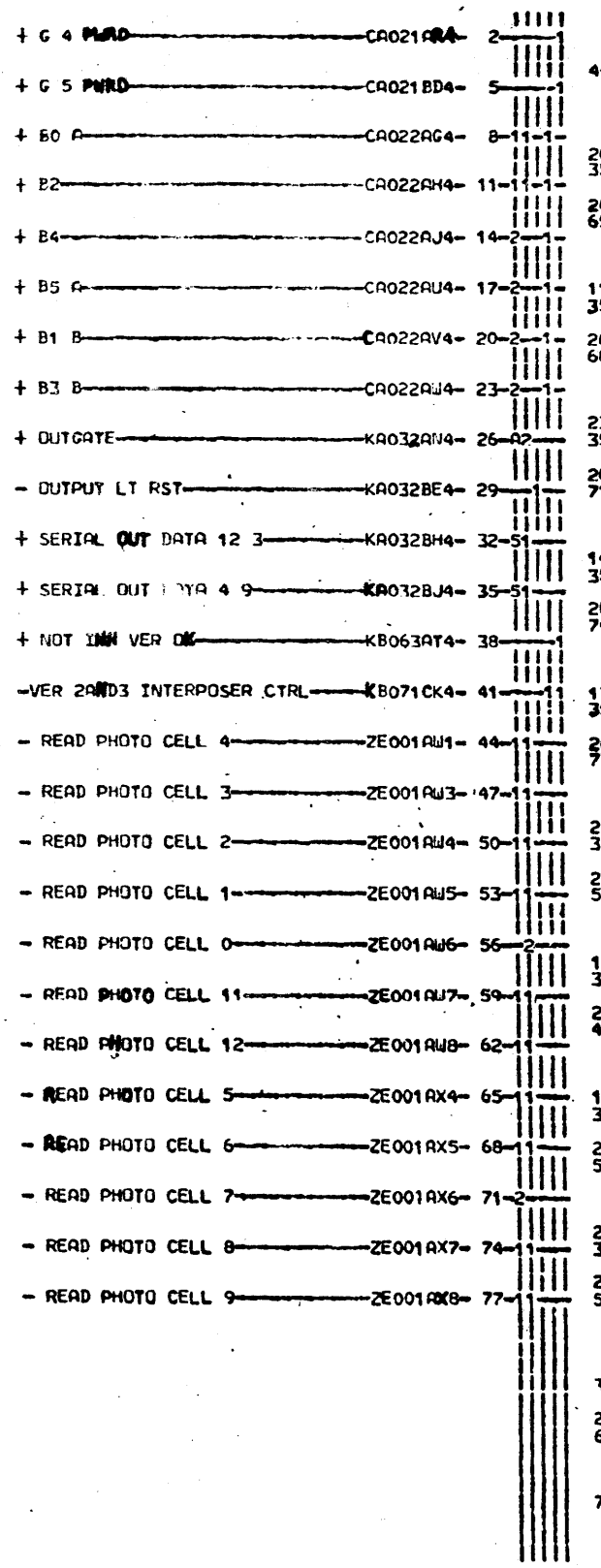
EDGE CONN.  
 173 A-A1N6B02  
 180 A-A1T2B10  
 554 A-A1U2B12

LOC. TYPE  
 A-A1N4 R763

PAGE VER EC LEV  
 KB020 000 920753  
 KB021 000 920581  
 KB022 000 920753

P AND CF SA	
E.C. HISTORY	B. PACH. SA 129
920240 920496	FRAME 01 KB020
920410 920581	IBM CORP. PD KB022
920432 920730	P.N. 964083 000
DATE LAST EC	
06-05-72 920753	

KB020  
 KB022  
 000

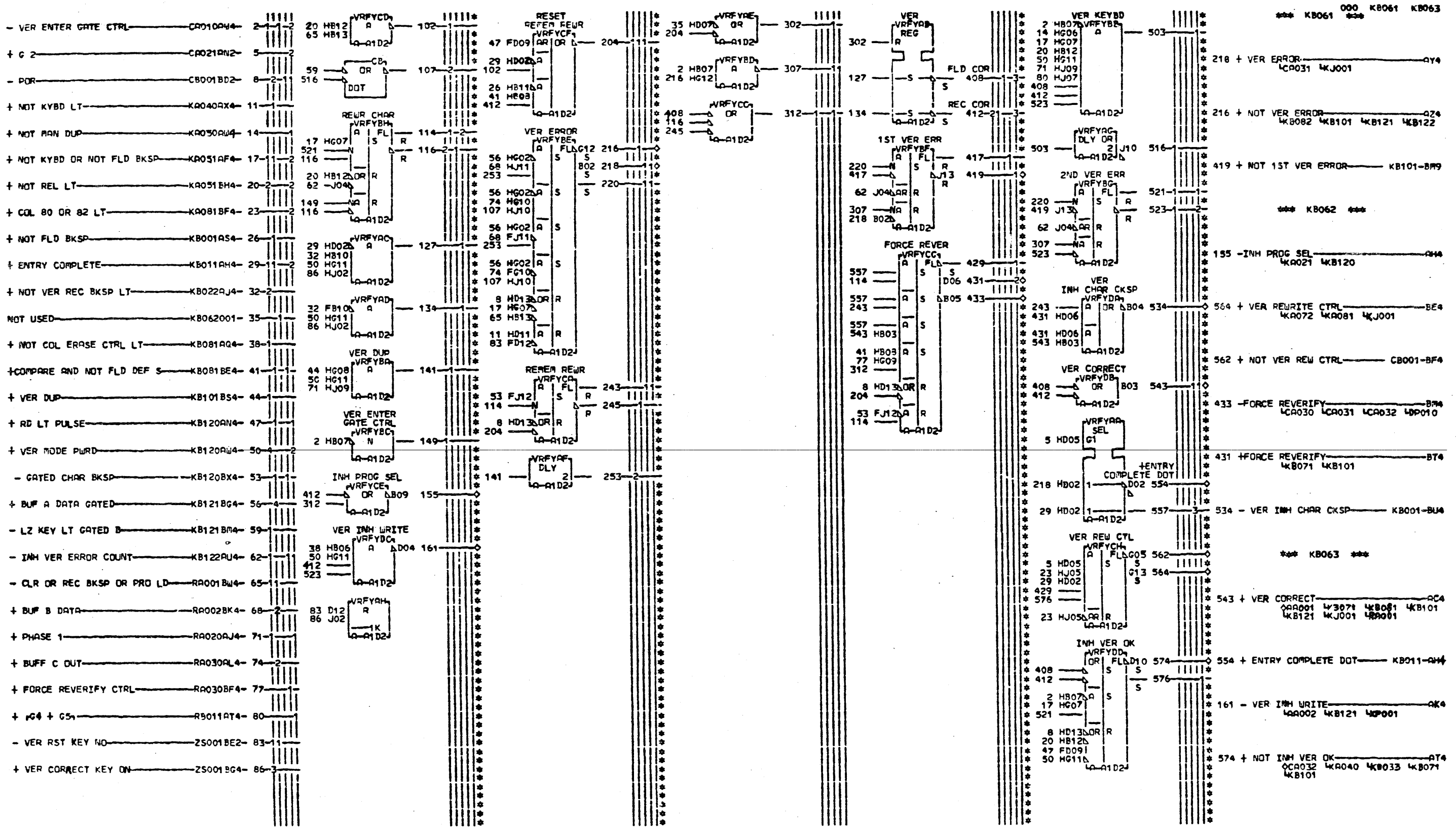


KB031  
KB033  
000

PAGE VER EC LEV  
KB031 000 920240  
KB032 000 920240  
KB033 000 920410

OUTPUT LT SM			
HISTORY	920240	RACH.SM129	
DATE	04-09-71	LAST EC	920410
FRAME	01	KB031	
IBM CORP.PD		KB033	
P.N.	964804		000

50105



000 KB061 KB063

LOC. TYPE  
A-1D2 1871

PAGE VER EC LEV  
KB061 000 920753  
KB062 000 920496  
KB063 000 920496

VERIFY ONE SM			
E.C.	HISTORY	B. ARCH.	5*129
920240	920496	FRAME	01 KB061
920410	920581	IBM CORP.	PD KB063
920432		DATE	LAST EC
920460		P.N.	964085 000
06-05-72	920753		

KB061  
KB063  
000

218 + VER ERROR - AY4  
LCA031 KJ001

216 + NOT VER ERROR - Q24  
KB082 KB101 KB121 KB122

419 + NOT 1ST VER ERROR - KB101-BM9

155 -INH PROG SEL - AM4  
KA021 KB120

564 + VER REWRITE CTRL - BE4  
KA072 KA081 KJ001

562 + NOT VER REW CTRL - CB001-BF4

433 -FORCE REVERIFY - BM4  
LCA030 LCA031 LCA032 LDP010

431 +FORCE REVERIFY - BT4  
KB071 KB101

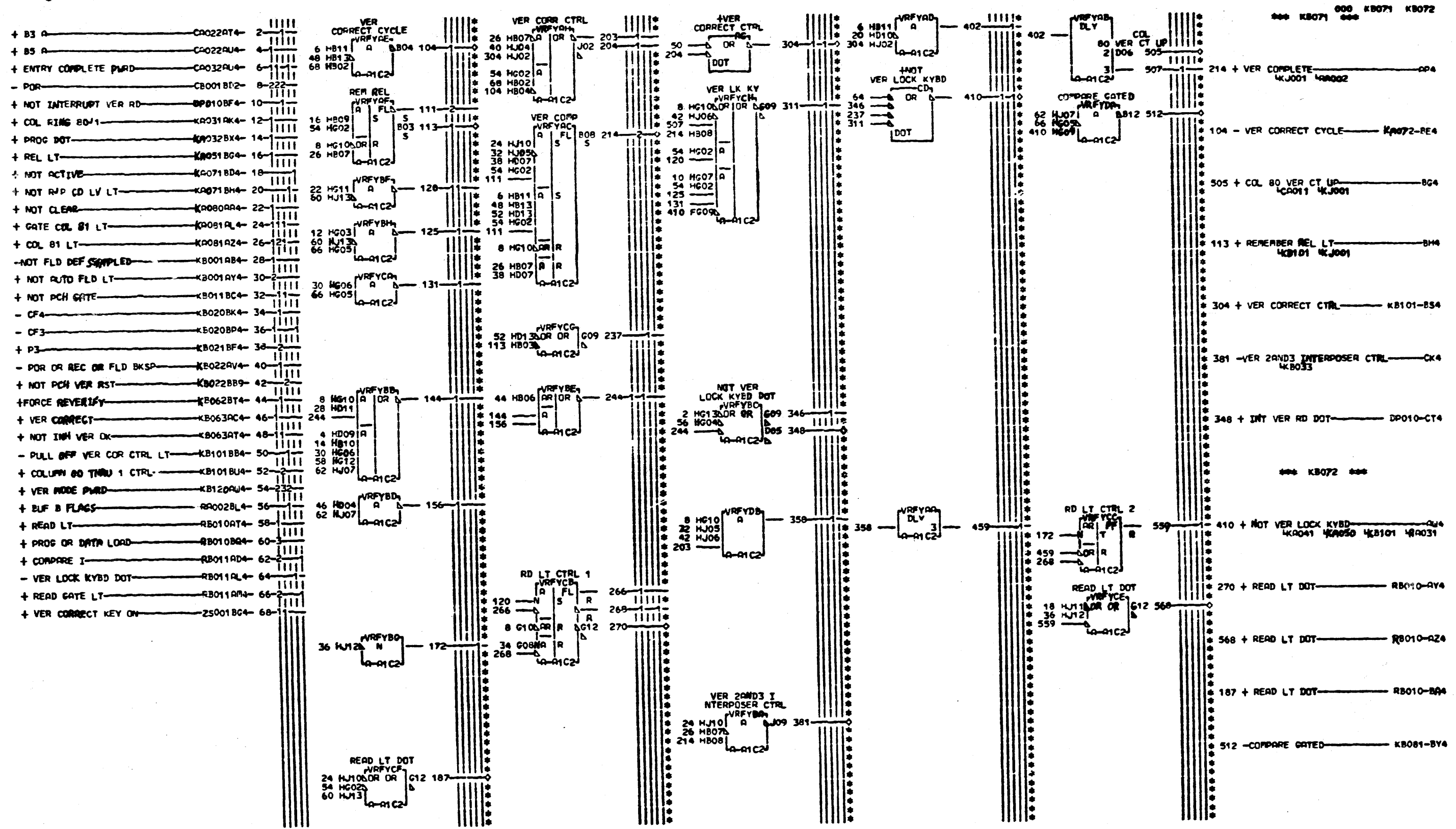
534 - VER INH CHAR CKSP - KB001-BU4

543 + VER CORRECT - AC4  
CAA001 W3071 KB081 KB101  
KB121 KJ001 LRA001

554 + ENTRY COMPLETE DOT - KB011-AM4

161 - VER INH WRITE - AK4  
LAA002 KB121 LDP001

574 + NOT INH VER OK - AT4  
OCA032 KRA040 KB033 KB071  
KB101



000 KB071 KB072  
 \*\*\* KB071 \*\*\*

\*\*\* KB072 \*\*\*

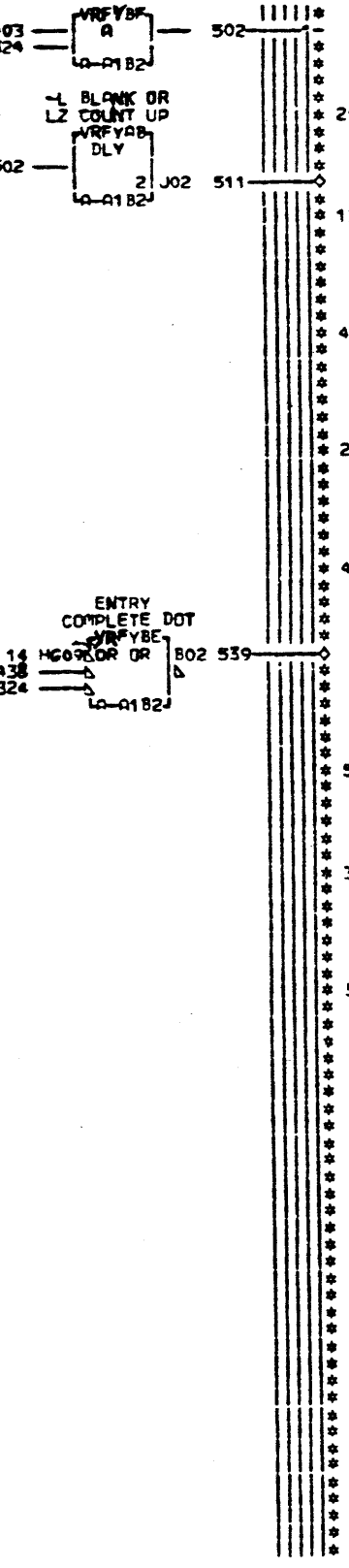
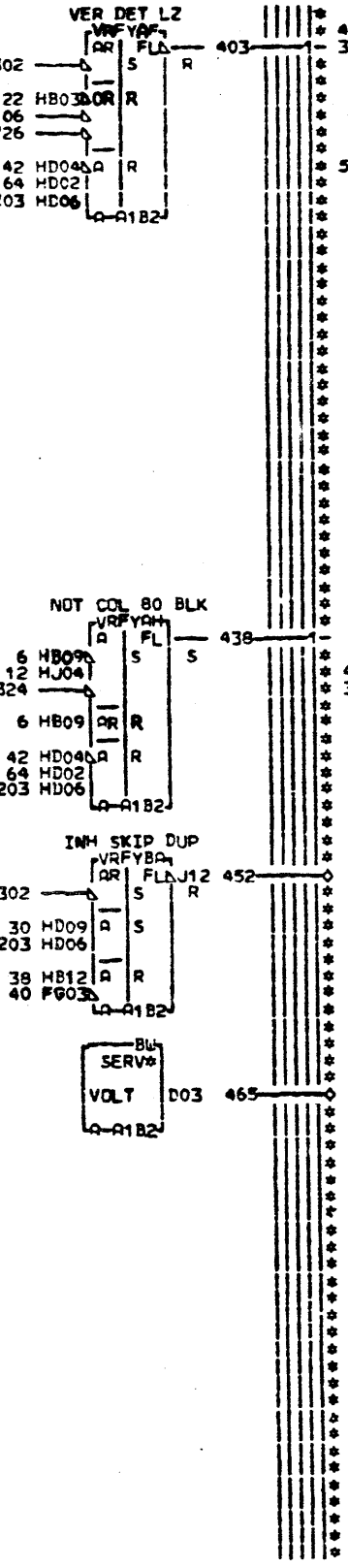
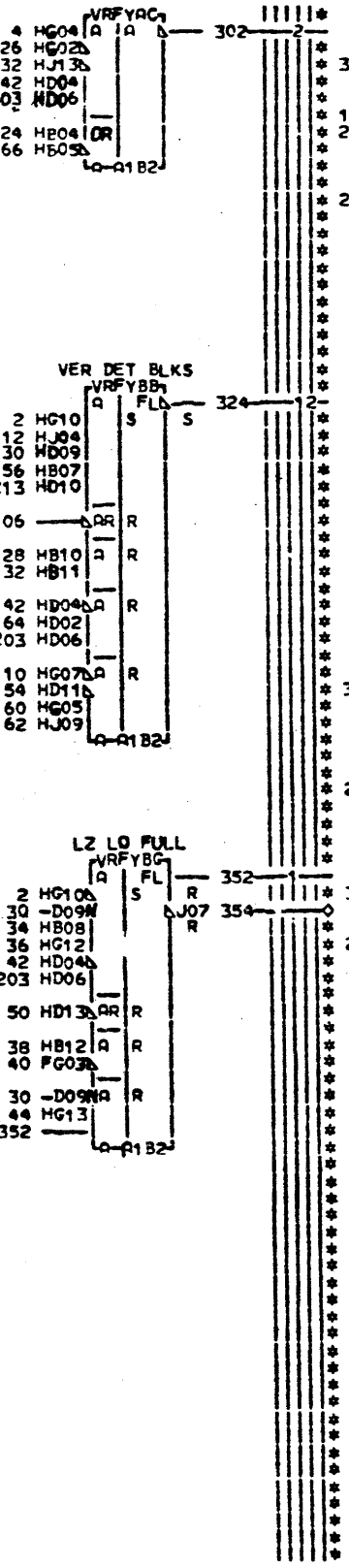
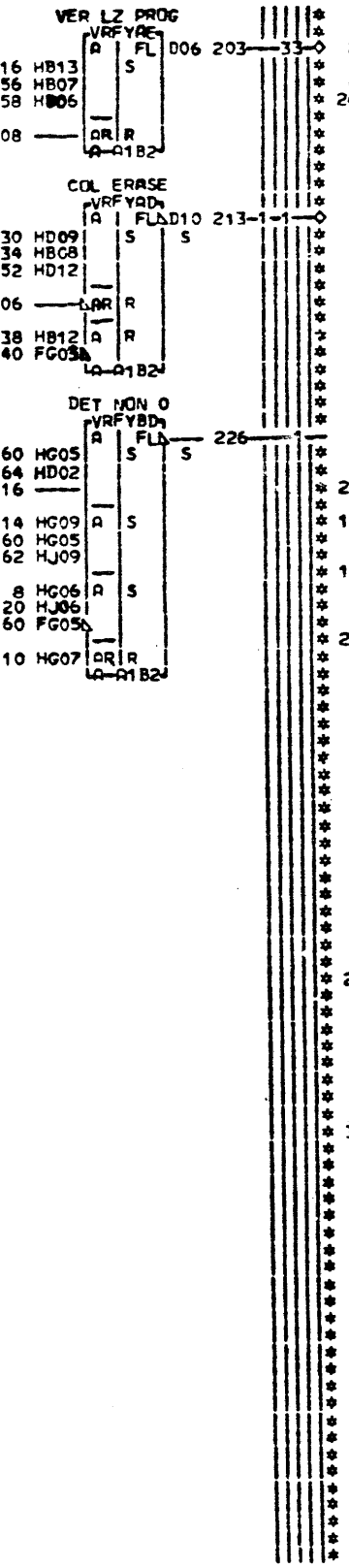
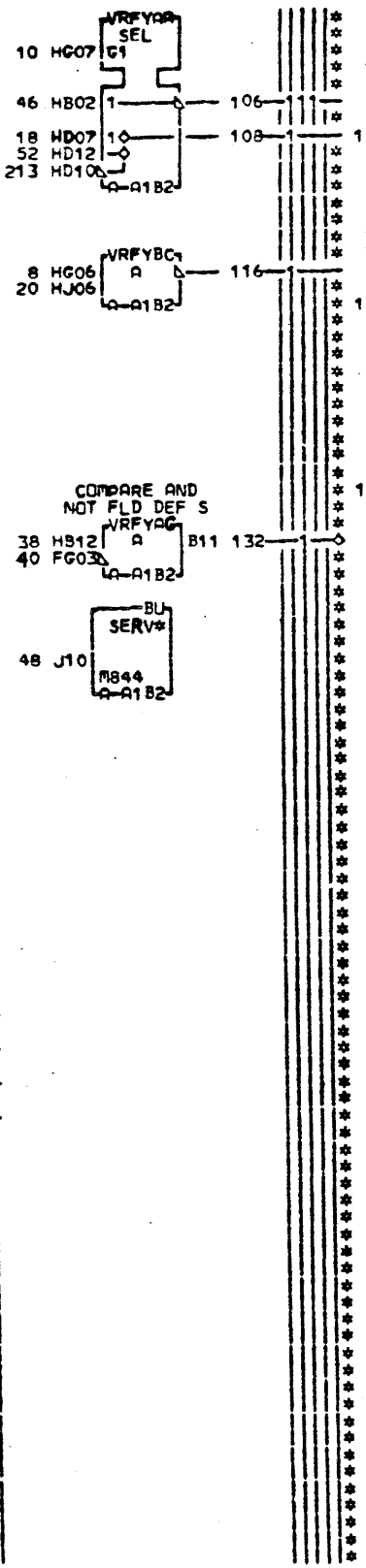
LOC. TYPE  
 A-01C2 N767

PAGE VER EC LEV  
 KB071 000 920730  
 KB072 000 920641

VERIFY TWO SA			
E.C. HISTORY	FRAME	01	KB071
920240	920496		
920410	920581		
920432	920641		
920460			
DATE	LAST EC	IBM CORP-PD	KB072
04-10-72	920730	P-N 964086	000

KB071  
 KB072  
 000

- + LZ KEY LT CA001AL4- 2
- + NOT DASH KEY LT CA003AH4- 4
- CR 80 CA005AG4- 6
- + G 4 PWRD CA021AR4- 8
- + G 0 PWRD CA021AS4- 10
- + G 3 PWRD CA021BC4- 12
- + G 5 PWRD CA021BD4- 14
- + 35 B CA022AD4- 16
- + 20 A CA022AG4- 18
- + 32 CA022AH4- 20
- POR CB001BD2- 22
- + SERIAL KEYBD DATA DA002BN4- 24
- 603 + PROG SEL KA020AV2- 26
- + PROG ON KA021AS4- 28
- + ENTER GATE KA041BT4- 30
- + E C INTLK KA041BU2- 32
- + NOT KYBD OR NOT FLD BKSP KA051AF4- 34
- + NOT REL LT KA051BH4- 36
- + COMPARE 2 KA080AV4- 38
- NOT FLD DEF SAMPLED KB001AB4- 40
- FLD DEF KB001AJ4- 42
- + NOT INH BKSP KB002BJ4- 44
- + ENTRY COMPLETE KB011AH4- 46
- POR OR REC OR FLD BKSP KB022AV4- 48
- + NOT VER ERROR KB061AZ4- 50
- + VER CORRECT KB063AC4- 52
- COMPARE GATED KB072BY4- 54
- + VER MODE PWRD KB120AJ4- 56
- + GATED PROG RA001BL4- 58
- + BUF A DATA RA002BQ4- 60
- PHASE 2 RA020AD4- 62
- + PHASE 1 RA020AJ4- 64
- KB SPACE LC 38 ZK001AT2- 66



- 213 + NOT COL ERASE CTRL LT KB063-A04
- 132 + COMPARE AND NOT FLD DEF S KB062 KB121
- 452 + NOT VER INH SK DUP LT KB050 KB122
- 203 + VER LZ PROG LT KB010 KB120 KB122 KBJ001
- 465 + 6 VOLTS KB101-BU4
- 539 + ENTRY COMPLETE DOT KB011-AV4
- 354 + NOT LZ LO FULL KB001 KB002 KB121
- 511 - L BLANK OR LZ COUNT UP CA011-BH4

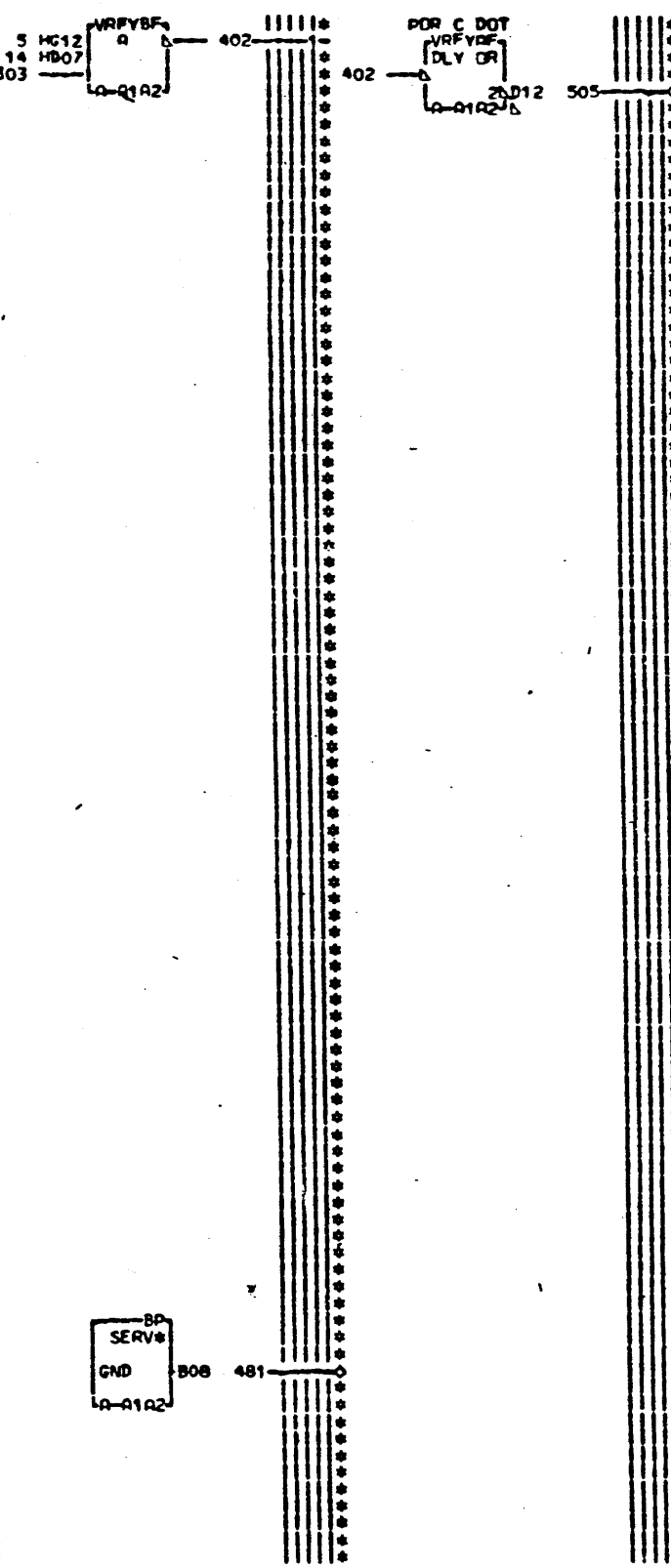
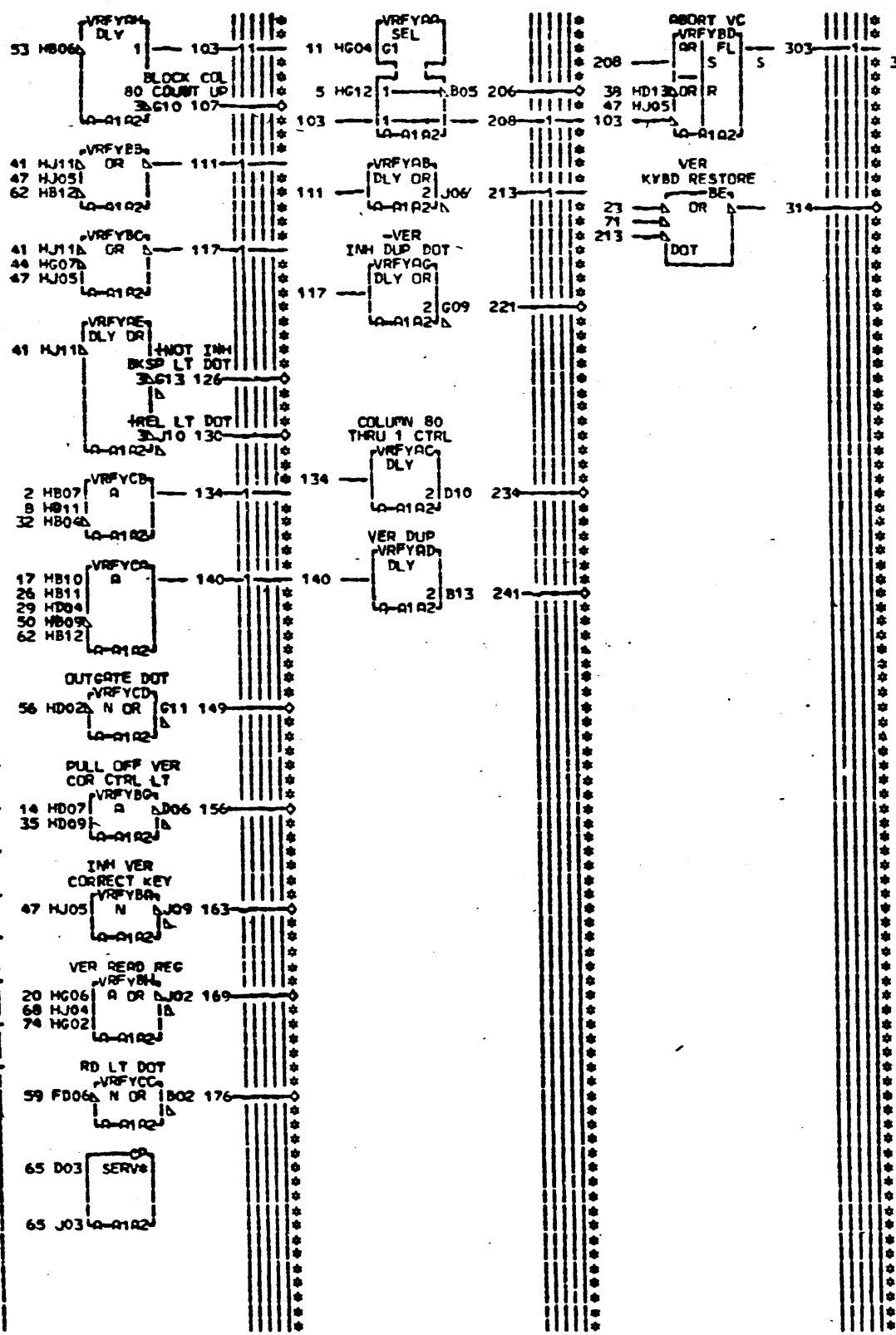
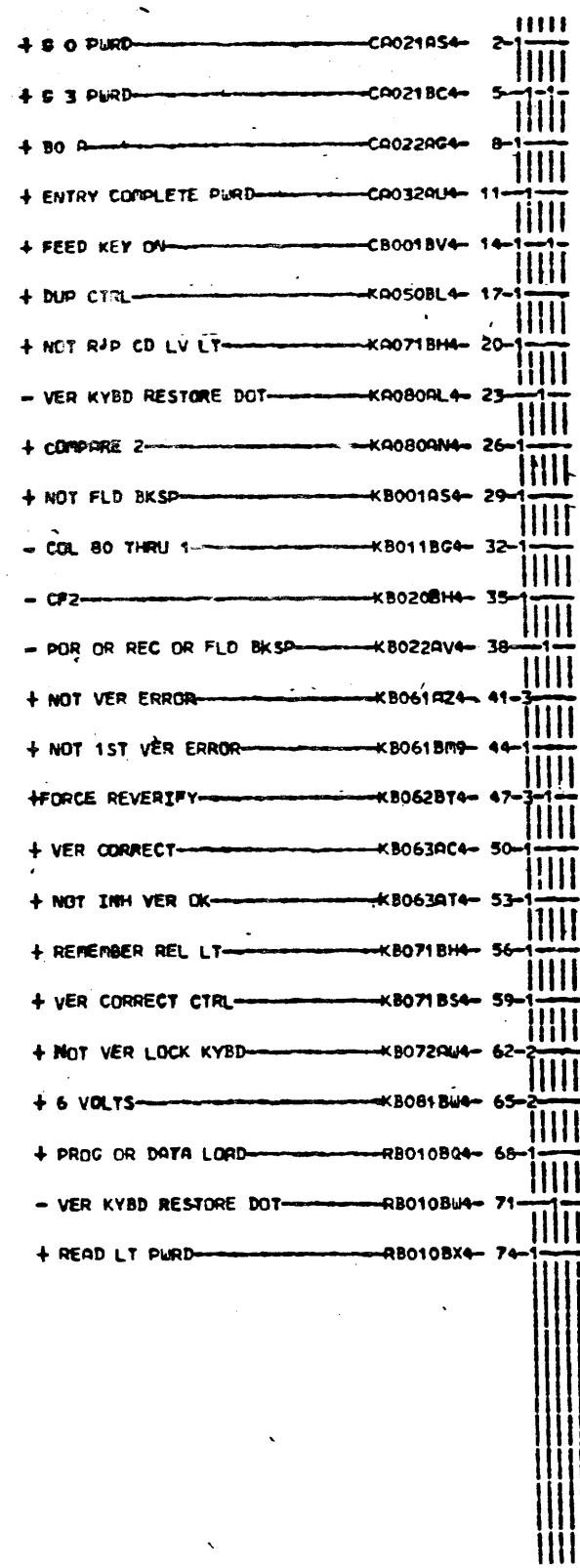
LOC. TYPE  
A-A1B2 M844

PAGE VER EC LEV  
KB081 000 920753  
KB082 000 920543

VERIFY THREE SM			
E.C. HISTORY	B. MACH. SM129		
920240	920543		
920410	920578	FRAME	01 KB081
920460	920521		
920496	920730	IB.1 CORR. PD	KB082
	DATE	LAST EC	
06-05-72	920753	P.N. 964687	000

KB081  
KB082  
000



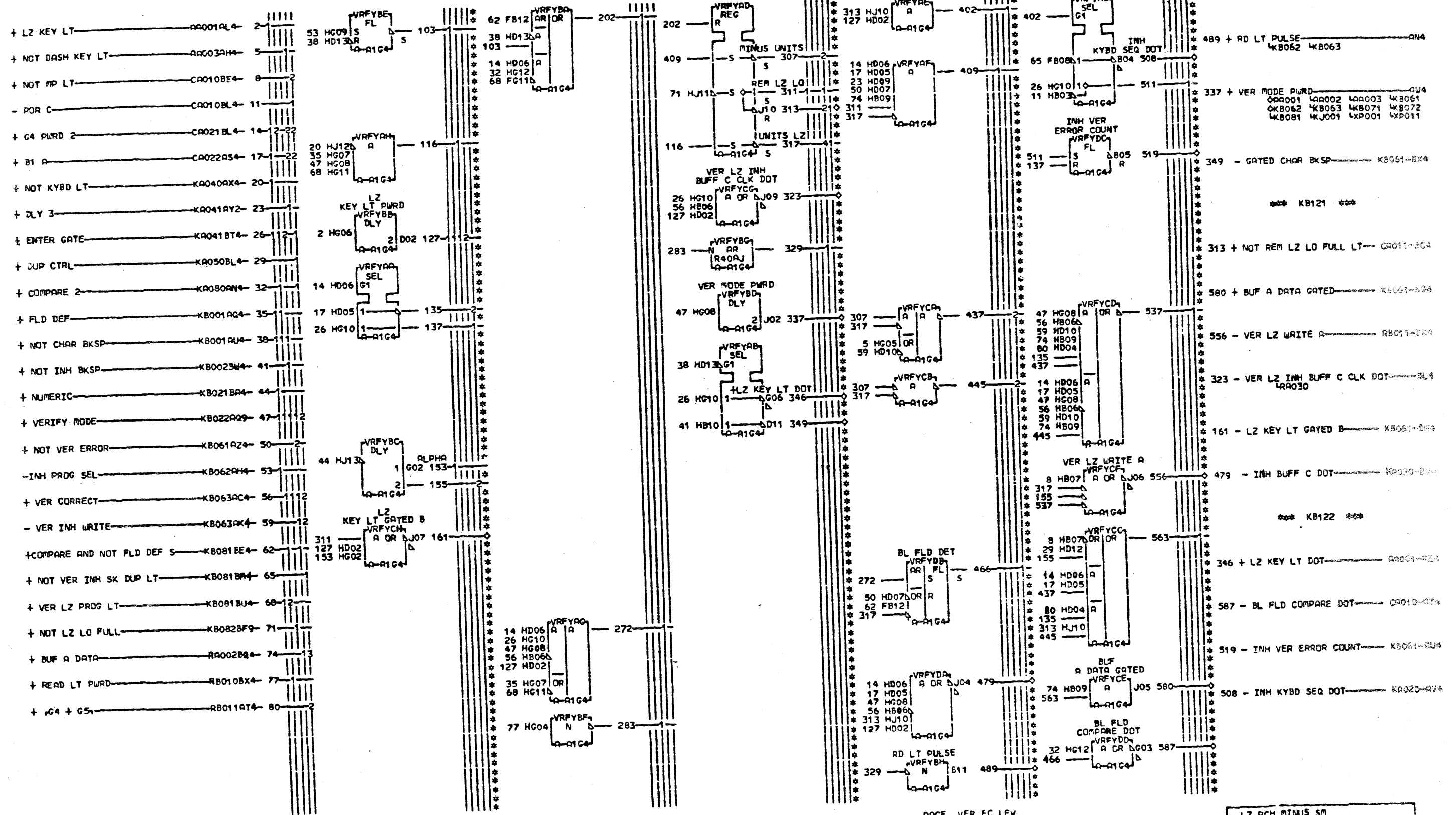


LDC. TYPE  
A-11A2 1870

PAGE VER EC LEV  
KB101 000 920641

VERIFY FOUR SM			
E-C-HISTORY	D-MACH-SM129		
920240	920496		
920410	920581	FRAME	01
920432			
920460		IBM CORP-PP	KB101
DATE	LAST EC	P-N	964088
12-30-71	920641		000

KB101  
KB101  
000

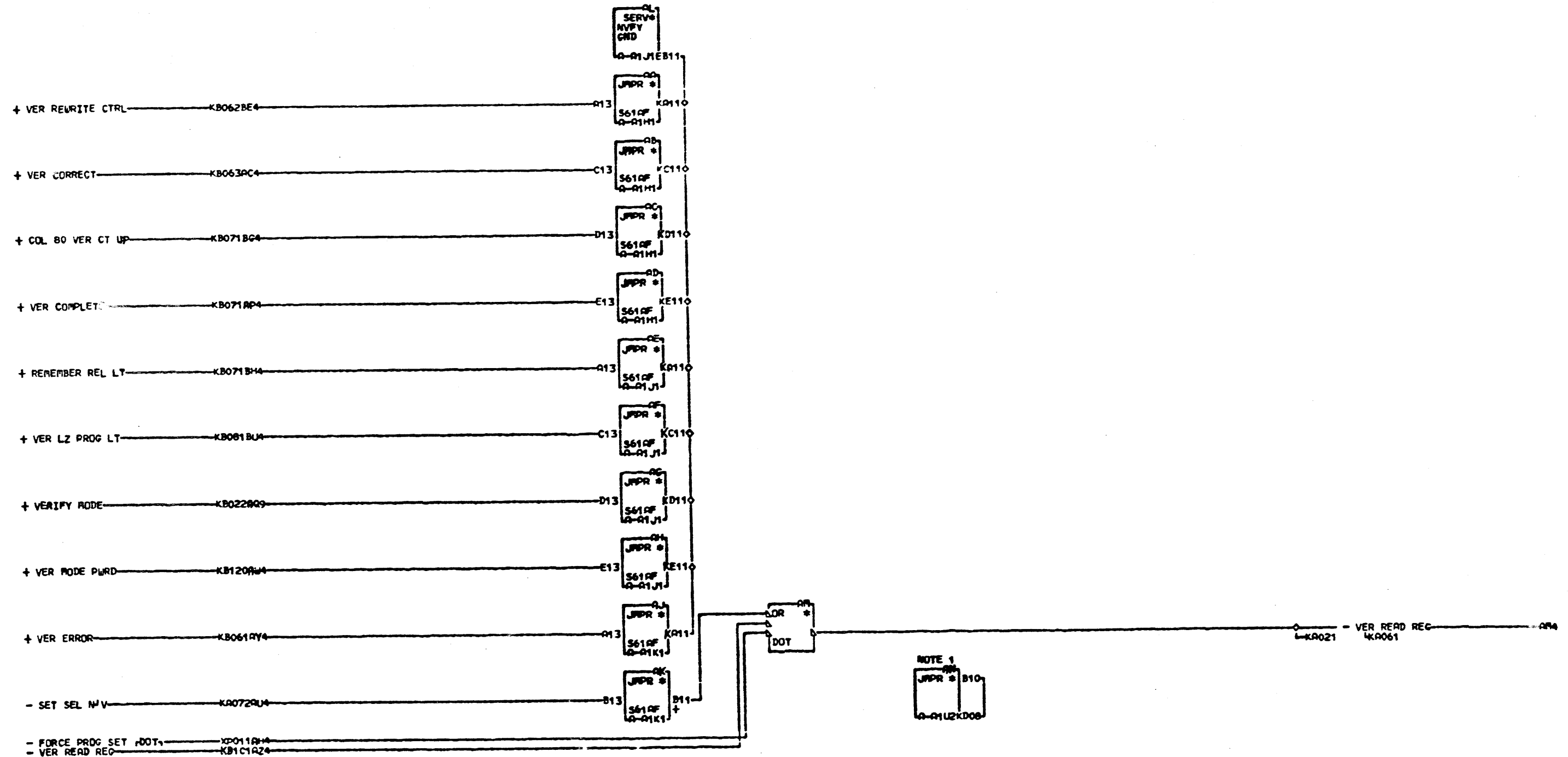


LOC. TYPE  
 A-A1G4 P321

PAGE VER EC LEV  
 KB120 000 920753  
 KB121 000 920753  
 KB122 000 920753

LZ PCH MINUS SM			
E.C.	HISTORY	B	PACH.SM129
920240	920581	FRAME	01 KB120
920410	920730	IBP	CORP.PD KB122
920460		DATE	LAST EC
920523		P.N.	954089 000
06-05-72	920753		

KB120  
 KB122  
 000



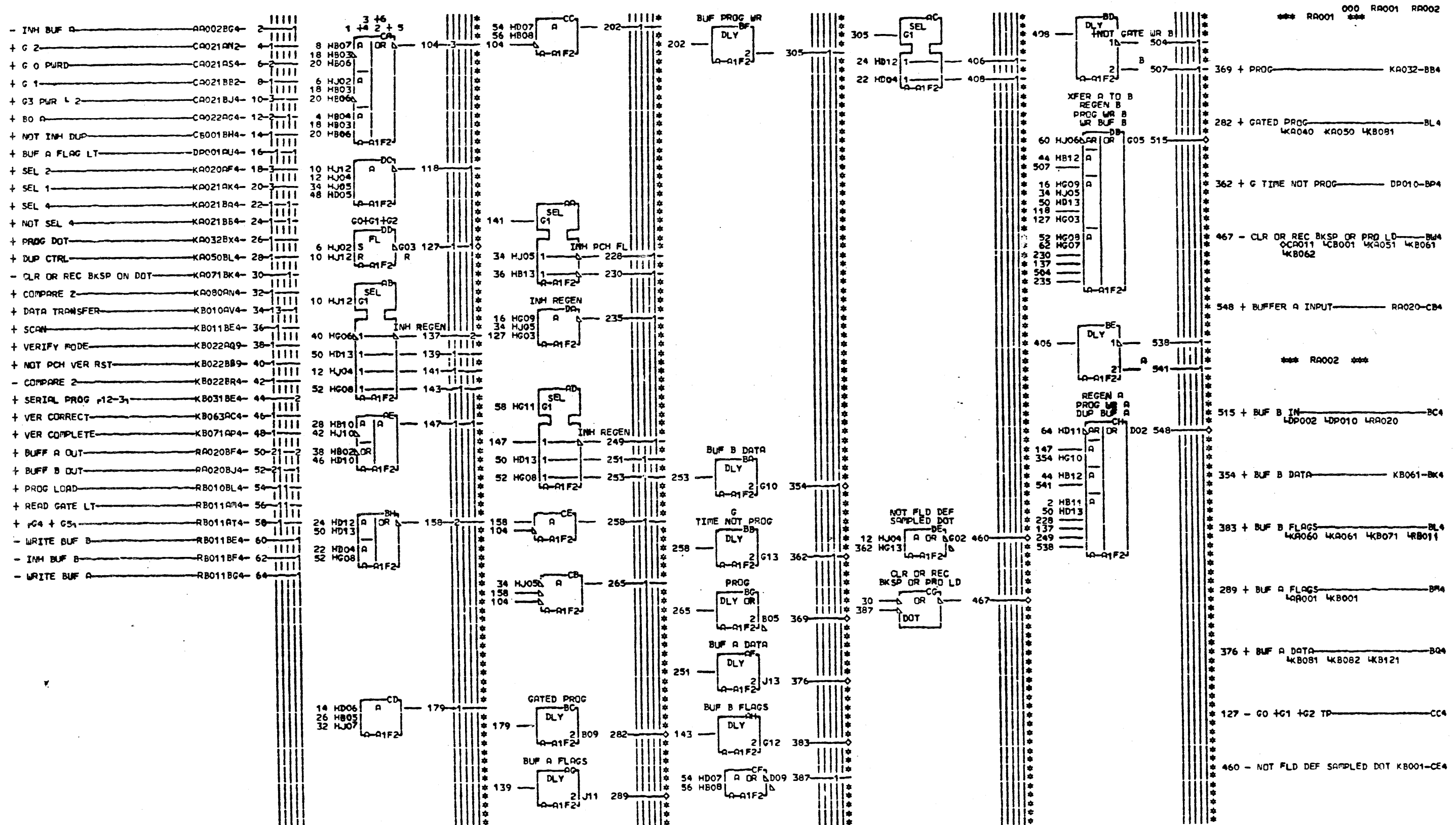
NOTE 1 NON VER MODE W/O  
 CDP FEATURE ADD WIRE FROM  
 K U2B10 TO U2D08.

1  
 000

LOC. TYPE  
 A-01H N695  
 A-01J N695  
 A-01K1 N695

JUMPER CARD SA	
E.C. HISTORY	R. PACH. 3M129
920240	
920432	FRAME 01
920460	
920496	IBM CORP. PD
DATE	LAST EC
04-10-72	920730
	P-N. 964090

K J 001  
000



LOC. TYPE  
A-A1F2 N763

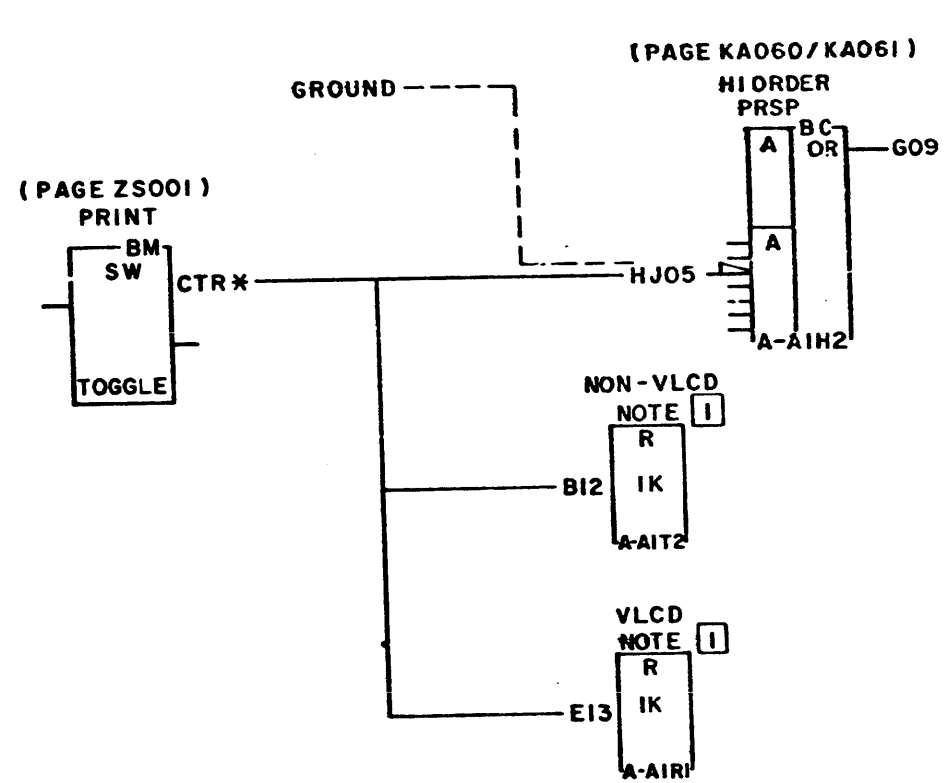
PAGE VER EC LEV  
RA001 000 920753  
RA002 000 920753

BUFFER I/O SM			
E.C.	HISTORY	B	MAC4.SM129
920240	920496	FRAME	01 RA001
920410	920578	IBM CORP.PD	RA002
920432		DATE	LAST EC
920460		06-05-72	920753
		P.N.	964091
			000

RA001  
RA002  
000

982489

PAGE LZ 300



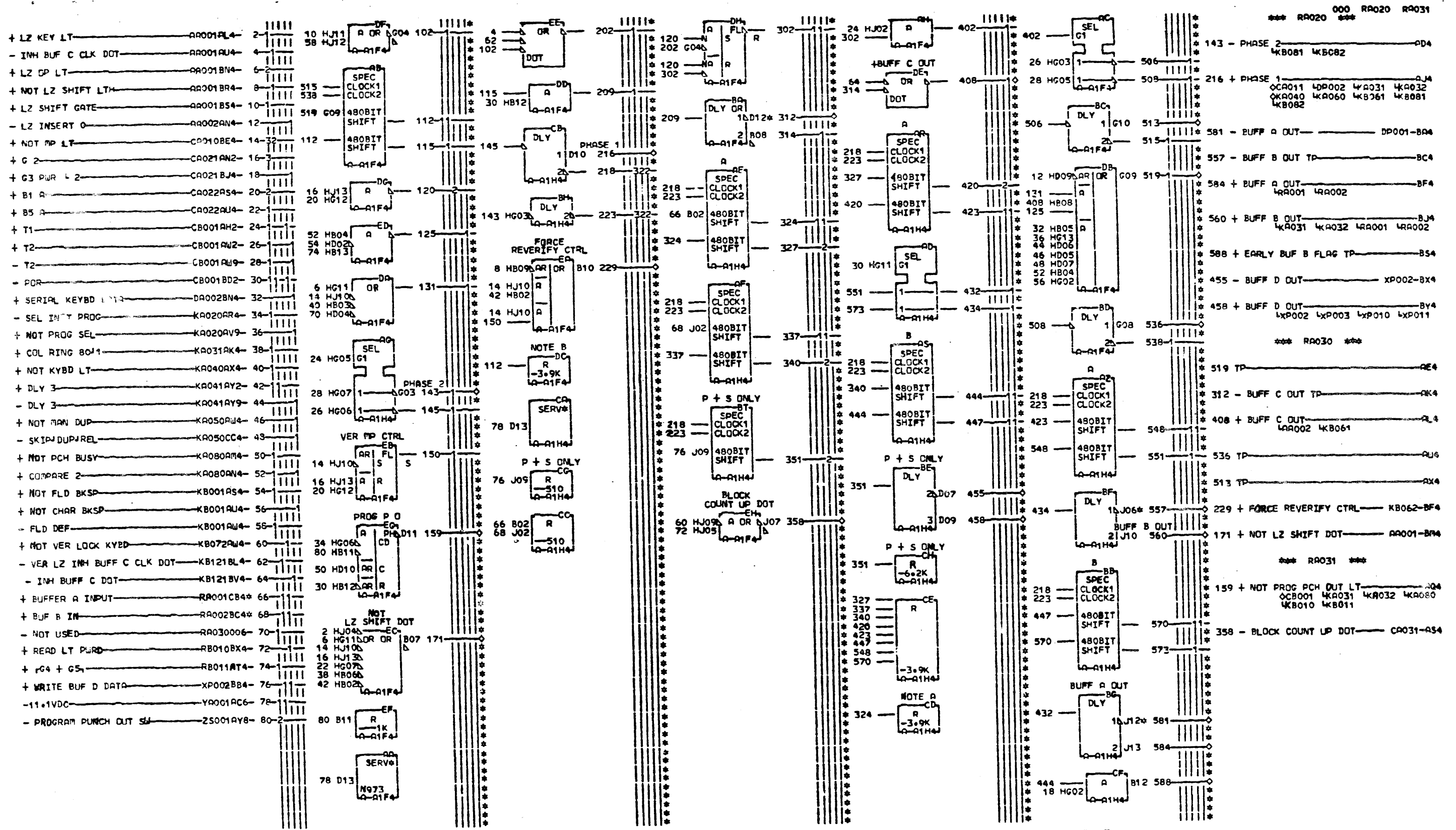
BM2 A-AIT2 B12 NON-VLCD M/C  
BM2 A-AIR1 E13 VLCD M/C

NOTES  
1 RESISTOR MOUNTED ON PIN SIDE OF BOARD ON  
NON-VLCD M/C FROM T2B12 TO T2D03  
VLCD M/C FROM R1E13 TO R2D03

MUST CONFORM TO ENG. SPEC 895291		NAME		WIRING DIAGRAM RPOWB3787	
USE YELLOW PAPER		LZ PRINT		W/O SC LZ 300 129 M/C	
SCALE		DATE	CHANGE NO	DEVELOPMENT NO	
DESIGN	WEC	29 MAY 72	9 JUN 72	920777	
DETAIL	TCH	9 JUN 72			
CHECK	VJ	29 MAY 72			
APPROVE	WWG	29 MAY 72			

982489





000 RA020 RA031

\*\*\* RA020 \*\*\*

\*\*\* RA030 \*\*\*

\*\*\* RA031 \*\*\*

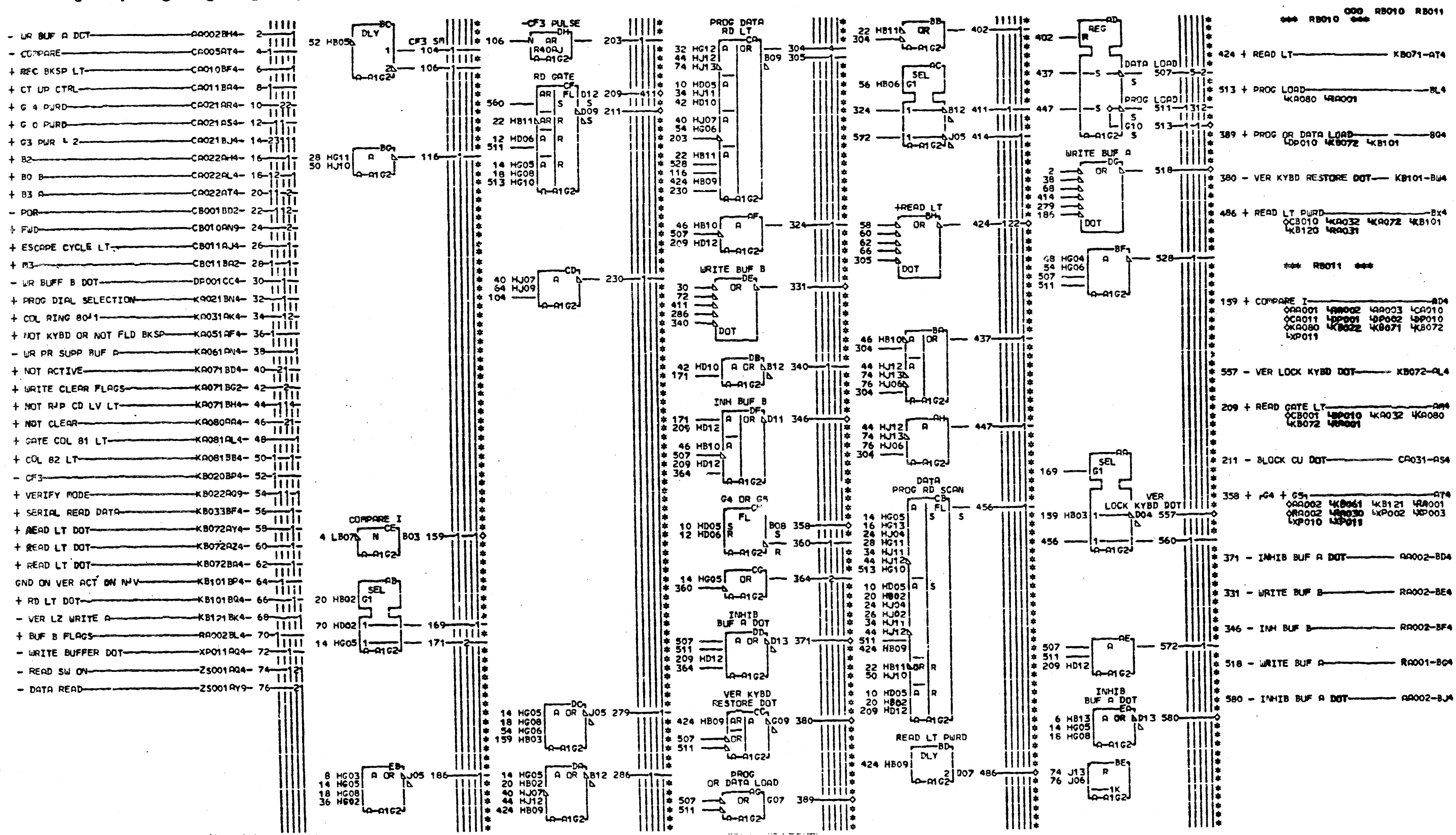
A. NOTE WITHOUT P+S CARD 5861144 MAY BE PLUGGED IN H4 SOCKET 5861836 OR 5861840 ARE REPLACEMENTS WITH P+S CARD 5861173 MAY BE PLUGGED IN H4 SOCKET 5861840 IS REPLACEMENT  
 RA020 B. NOTE 5862769 OR 5861842 MAY BE PLUGGED IN F4 SOCKET.  
 000 5862973 IS REPLACEMENT

EDGE CONN.  
 66 A-A1N6B04  
 68 A-A1N5C04  
 312 A-A1M5A04  
 557 A-A1N6C02  
 581 A-A1N6B02

LOC. TYPE  
 A-A1F4 N973  
 A-A1H4 F840

PAGE VER EC LEV  
 RA020 000 920753  
 RA030 000 920753  
 RA031 000 920523

BUFFER A + B + C + D			
-E.C.-HISTORY-		B. MACH. SM129	
920432	920523	FRAME	01 RA020
920460	920581		
920482	920541	IBM CORP. PD	RA031
920496	920730		
DATE	LAST EC		
06-05-72	920753	P.No.	964092 000



A. NOTE PIN G2J09 IS AUTOMATICALLY TIED TO GND IN VER FROM KB101  
 B. NOTE 1868B

RE010  
 RP011  
 000

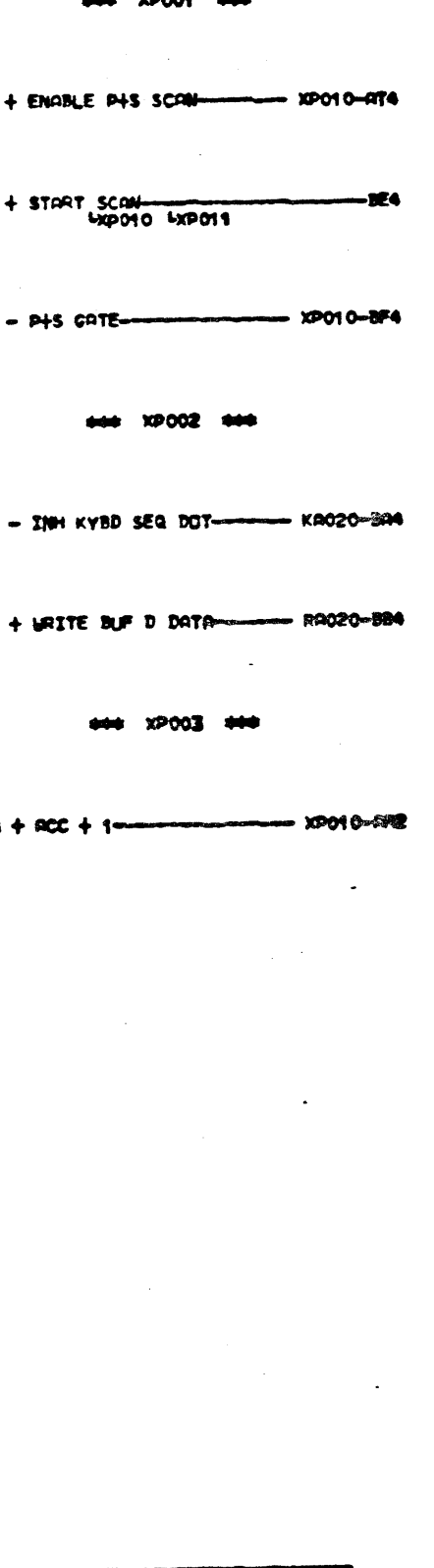
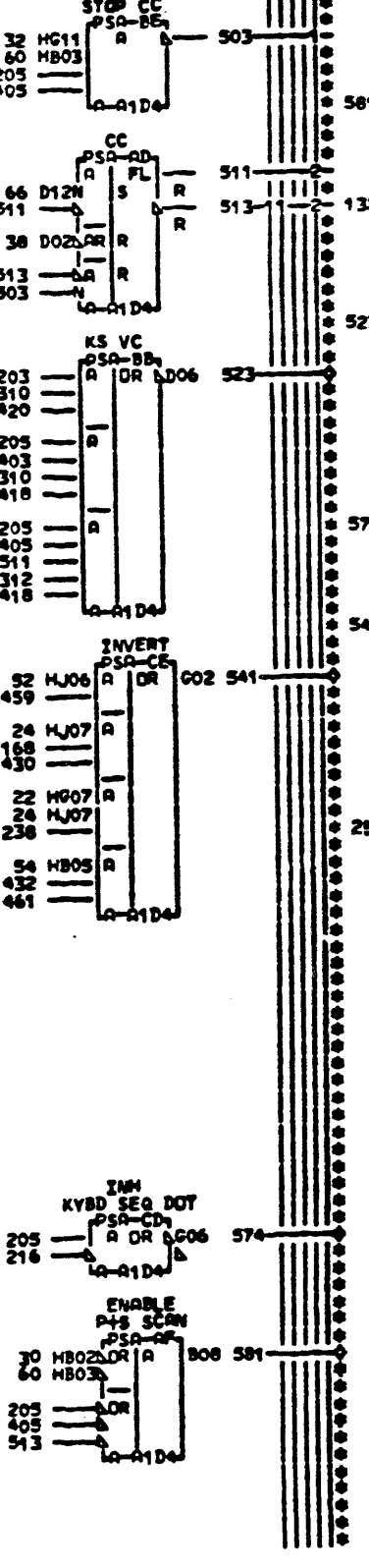
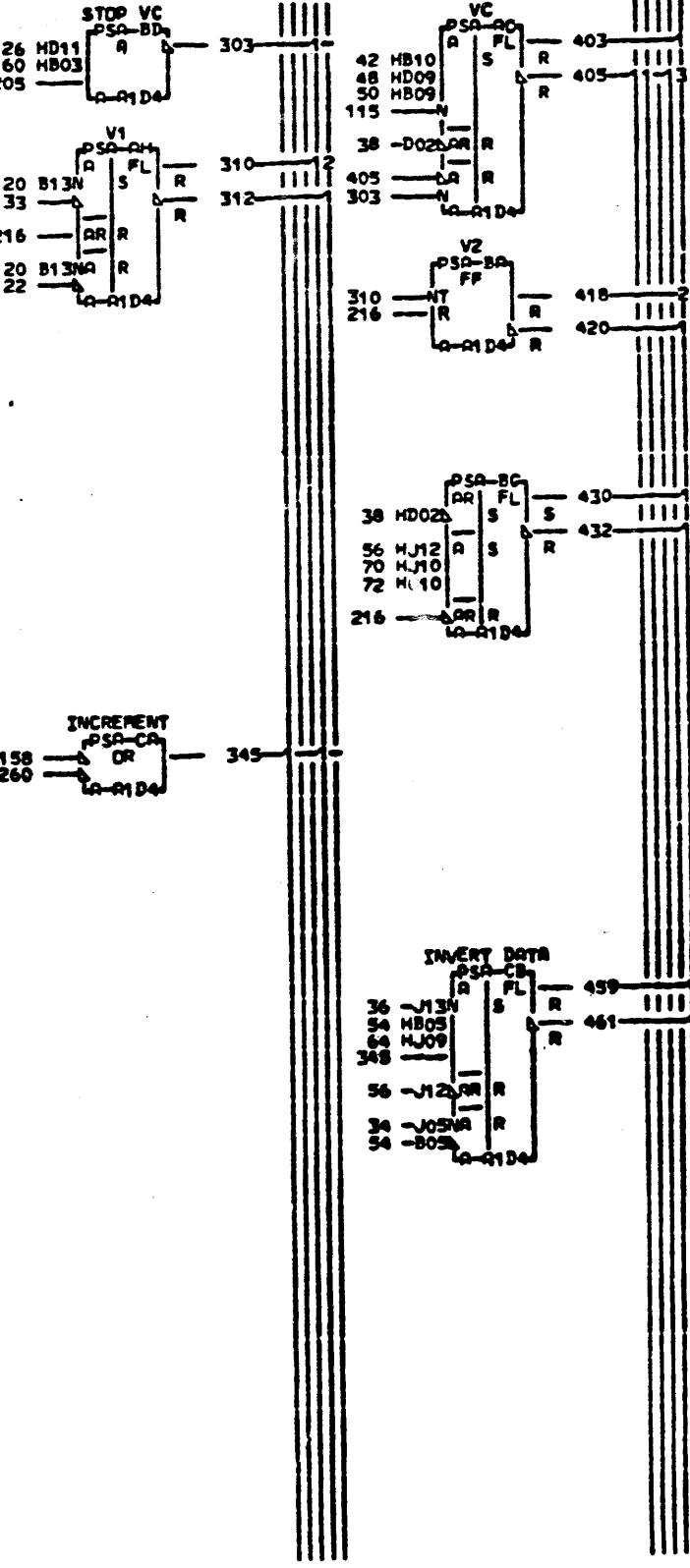
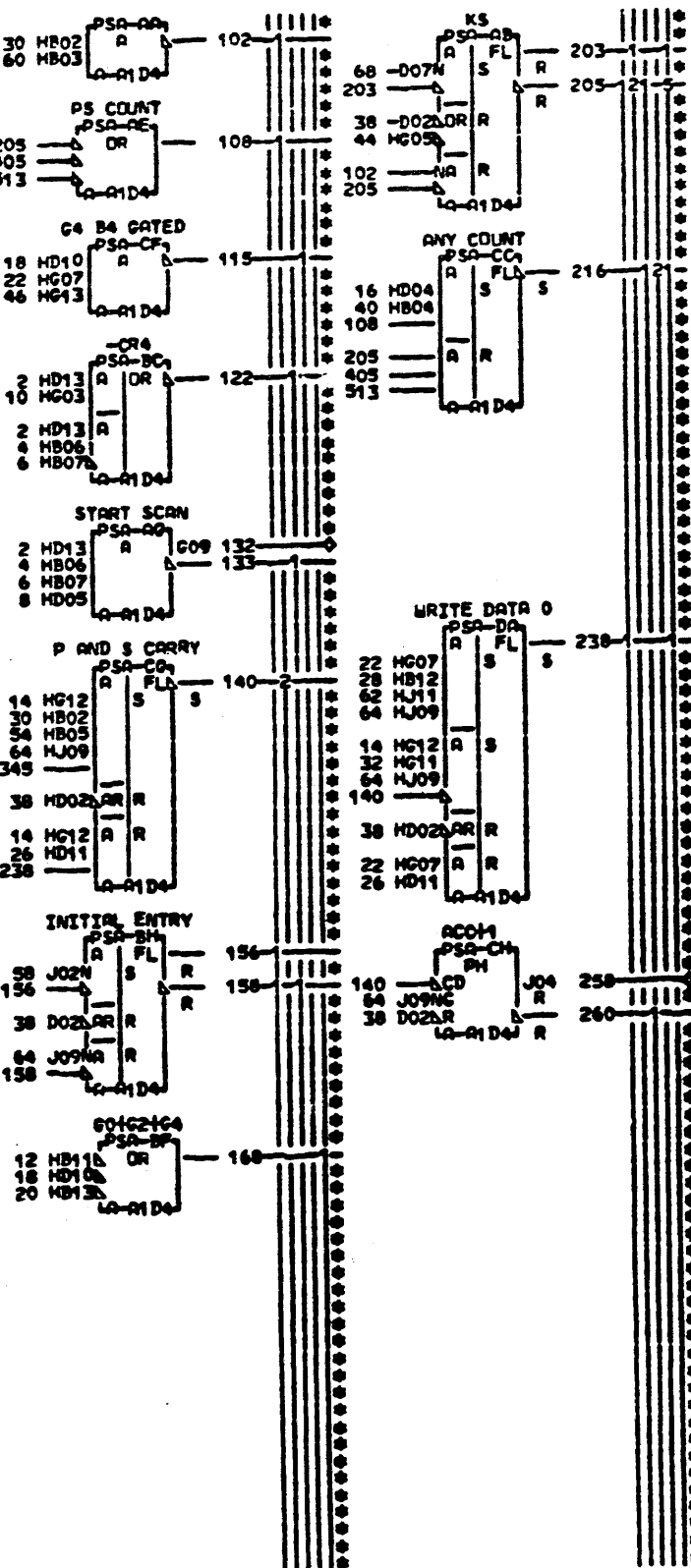
LOC. TYPE  
 A-A1G2 R868

PAGE VER EC LEV  
 RB010 000 920730  
 RB011 000 920753

PROGRAM DATA LOAD SP			
E.C. HISTORY		B. ARCH. SM129	
920240	920482	FRAME	01 RB010
920410	920496		
920432	920581	IBM CORP. PD	RB011
920460	920730		
DATE	LAST EC		
06-05-72	920753	P. No. 96404	000



- + COL RING 1 CA003AK2- 2-3
- + COL RING 2 CA003AQ2- 4-5
- + COL RING 4 CA004AC2- 6-7
- + COL RING 20 CA005AE2- 8-9
- + NOT COL RING 20 CA005AE9- 10-
- G 2 CA021AV9- 12-
- + G 5 CA021BA2- 14-21
- + G 1 CA021BB2- 16-
- G 4 CA021BC4- 18-2
- G 0 CA021BH4- 20-
- + G4 PWRD 2 CA021BL4- 22-2
- + B2 CA022AH4- 24-
- + B4 CA022AJ4- 26-1
- + B1 A CA022AS4- 28-
- + B5 A CA022AU4- 30-2
- + B3 B CA022AV4- 32-
- + T2 CB001AW2- 34-
- T2 CB001AW9- 36-
- P8 AND ACC POR CTRL CB001BY4- 38-23-2
- + COL RING B011 KA031AK4- 40-
- + ENTER GATE KA041BT4- 42-
- + NOT PAN DUP KA050AU4- 44-
- + NOT KYBD FLD BKSP KB001AM4- 46-
- VER IMM WRITE KB063AK4- 48-
- + VER MODE PWRD KB120AU4- 50-
- BUFF D OUT RA020BX4- 52-
- + BUFF D OUT RA020BY4- 54-
- + G4 + G5 RB011AT4- 56-
- ENABLE SCAN XP010AT4- 58-
- + STOP XP010AZ4- 60-1-2
- + OVERFLOW XP010BK4- 62-
- + P+S COMPARE XP010BZ4- 64-23
- CC COUNT XP011AS4- 66-
- KS COUNT XP011AT4- 68-
- + GATED SCAN XP011BH4- 70-
- + NUMERIC KEY ON XP011BL4- 72-

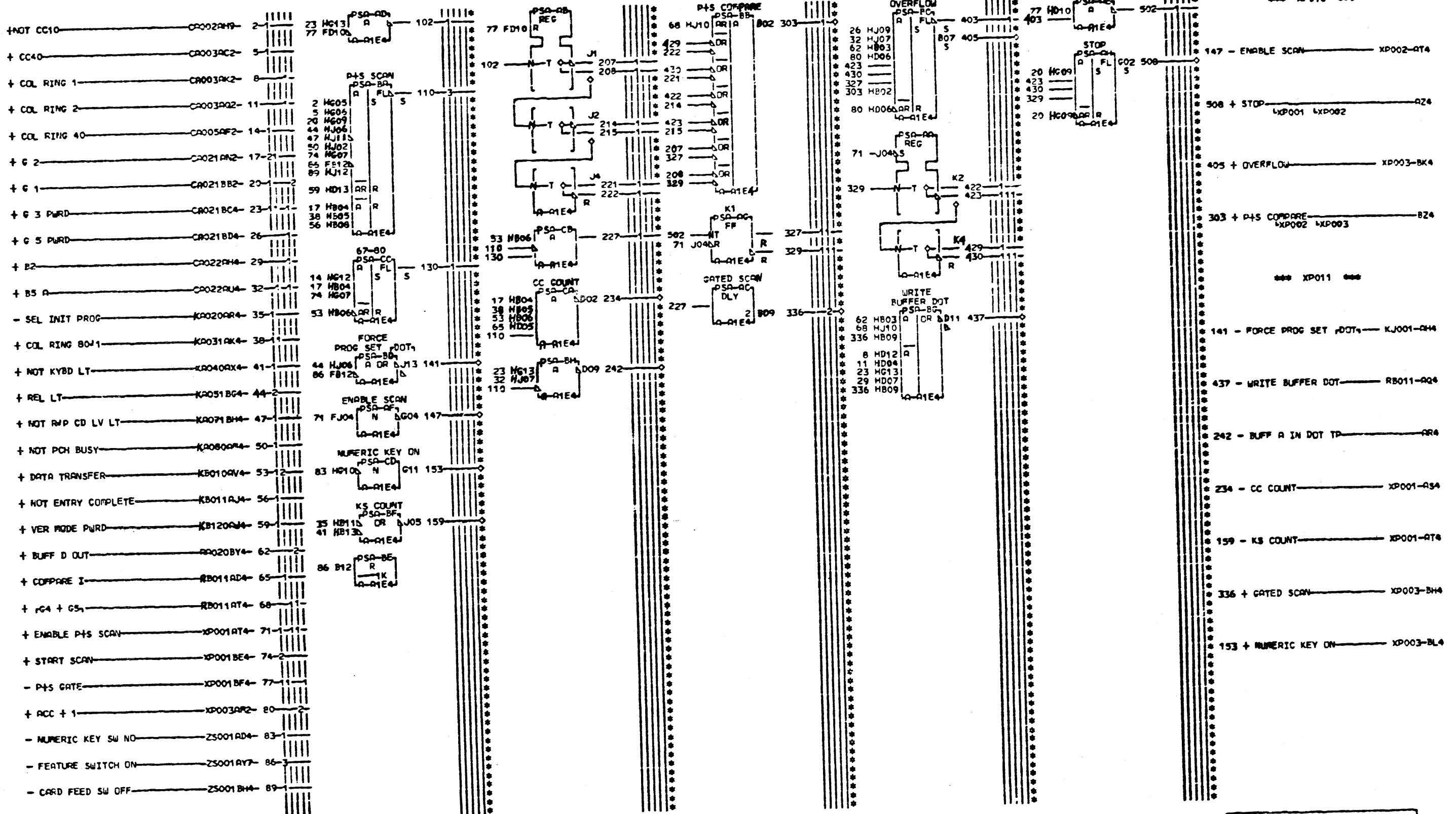


LOC. TYPE  
A-A1D4 N633

PAGE VER EC LEV  
XPO01 000 920730  
XPO02 000 920730  
XPO03 000 920391

PRD STAT CARD ONE SA			
-E-C-HISTORY-		A-RACH-SR129	
920240	920482	FRAME	01 XPO01
920410	920495	IBR CORP.PD	XPO03
920432	920501	DATE	04-10-72
920450	920730	LAST EC	
		P.N.	964095 000

XPO01  
XPO03  
000



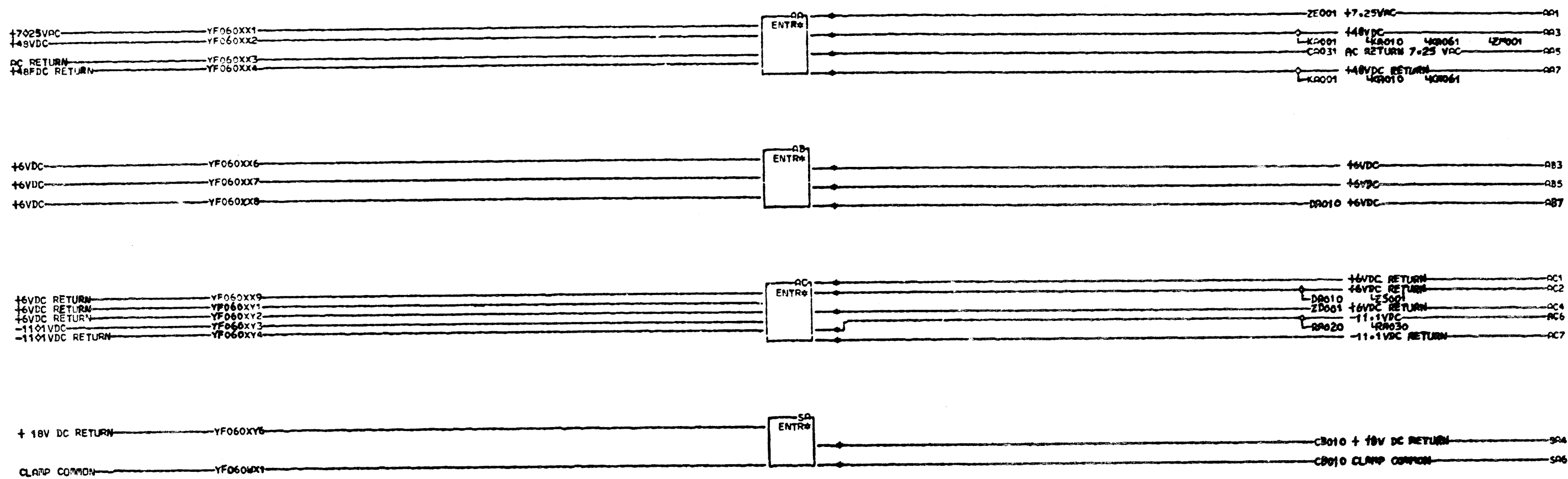
LOC. TYPE  
 A-A1E4 H667

PAGE VER EC LEV  
 XP010 000 920730  
 XP011 000 920581

PROD STATS CARD TWO SA			
E-C-HISTORY	P	FRAMES	SM129
920240	920496	FRAMES	01 XP010
920432	920543	IBM CORP-ED	XP011
920460	920581	P.N.	964096 000
920482			
DATE	LAST EC		
04-10-72	920730		

XP010  
 XP011  
 000

- 147 - ENABLE SCAN - XP002-AT4
- 508 + STOP - XP001-LX002 - B24
- 405 + OVERFLOW - XP003-BK4
- 303 + P+S COMPARE - XP002-LX002 - XP003 - B24
- \*\*\* XP011 \*\*\*
- 141 - FORCE PROG SET DOTs - KJ001-CH4
- 437 - WRITE BUFFER DOT - RB011-AQ4
- 242 - BUFF A IN DOT TP - AR4
- 234 - CC COUNT - XP001-AS4
- 159 - KS COUNT - XP001-AT8
- 336 + GATED SCAN - XP003-BH4
- 153 + NUMERIC KEY ON - XP003-BL4



NOTE 1 CONN OF 6V TO PINS A01 AND GND TO PINS E14 CONN THE Y INTERNAL VOLT AND GND PLANS TO A PROVIDE 6VDC AND GND RESP TO 0 ALL SLT ED SOCKET PINS 0 D03 AND D08 1 NOTE 2 FOR 50HZ MACHINES 0 PUR SUPPLY PAGE YF050 COMP TO 60 000HZ PUR SUPPLY PAGE YF060

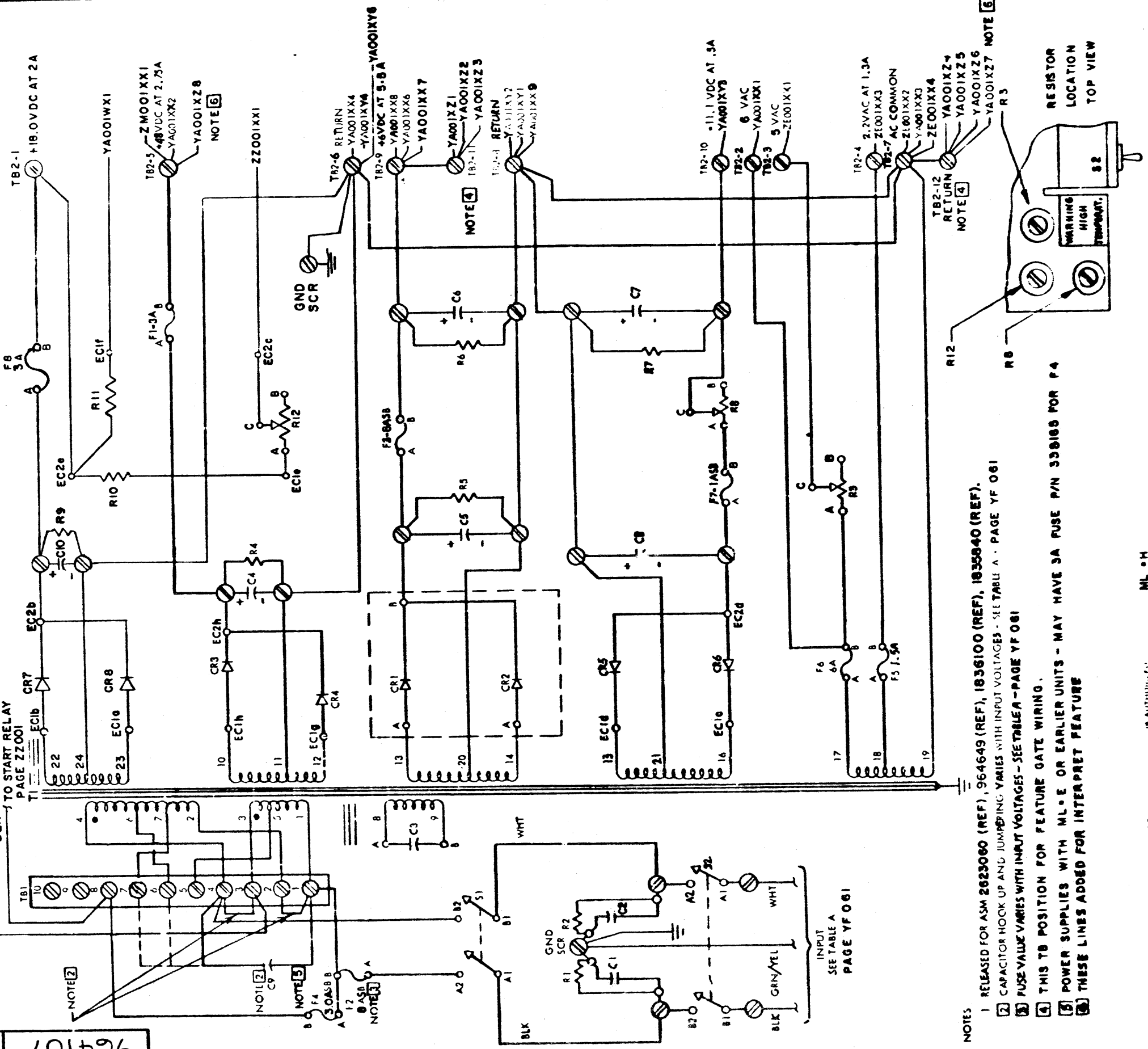
AA1	A-01V3B10	AA7	A-01V3D13	AC2	A-01V3D04	01A	A-01T6D04
01A	A-01T2D10	AB3	A-01V3B04	01A	A-01V2B06	AC6	A-01V3D07
AA3	A-01V3B13	01A	A-01V3B05	01A	A-01V2B10	AC7	A-01V3D02
01A	A-01T2B08	01A	A-01U3A01	01A	A-01V2B12	01A	A-01U2E14
01A	A-01U3D11	AA5	A-01V3B02	01A	A-01V2B08	SA4	A-01U1C13
01A	A-01U3B02	01A	A-01U1A01	01A	A-01V2D10	01A	A-01U1D13
01A	A-01U3B04	AB7	A-01V3B03	01A	A-01V2E04	SA6	A-01T4B13
01A	A-01U3B06	AC1	A-01V3D03	AC4	A-01V3B07		
AA5	A-01V3B06	01A	A-01U3E14	01A	A-01T6C04		

LOC. TYPE

LOGIC BOARD POWER SUPPLY		Y A 0 0 1 000
DISTRIBUTION SA		
E.C. HISTORY	A-RACH-SM129	
920240		
920496		
920543		
DATE	LAST EC	
04-10-72	920730	
		FRAME 01
		IBR CORP.
		P.O. No. 964097

UNIT WIRED FOR 115V 60HZ

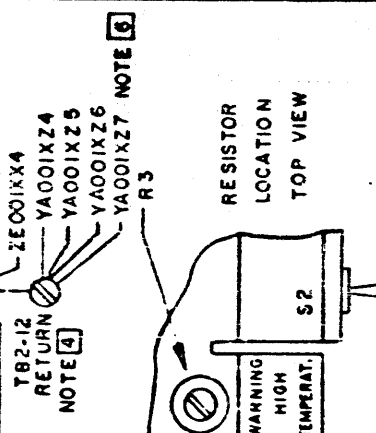
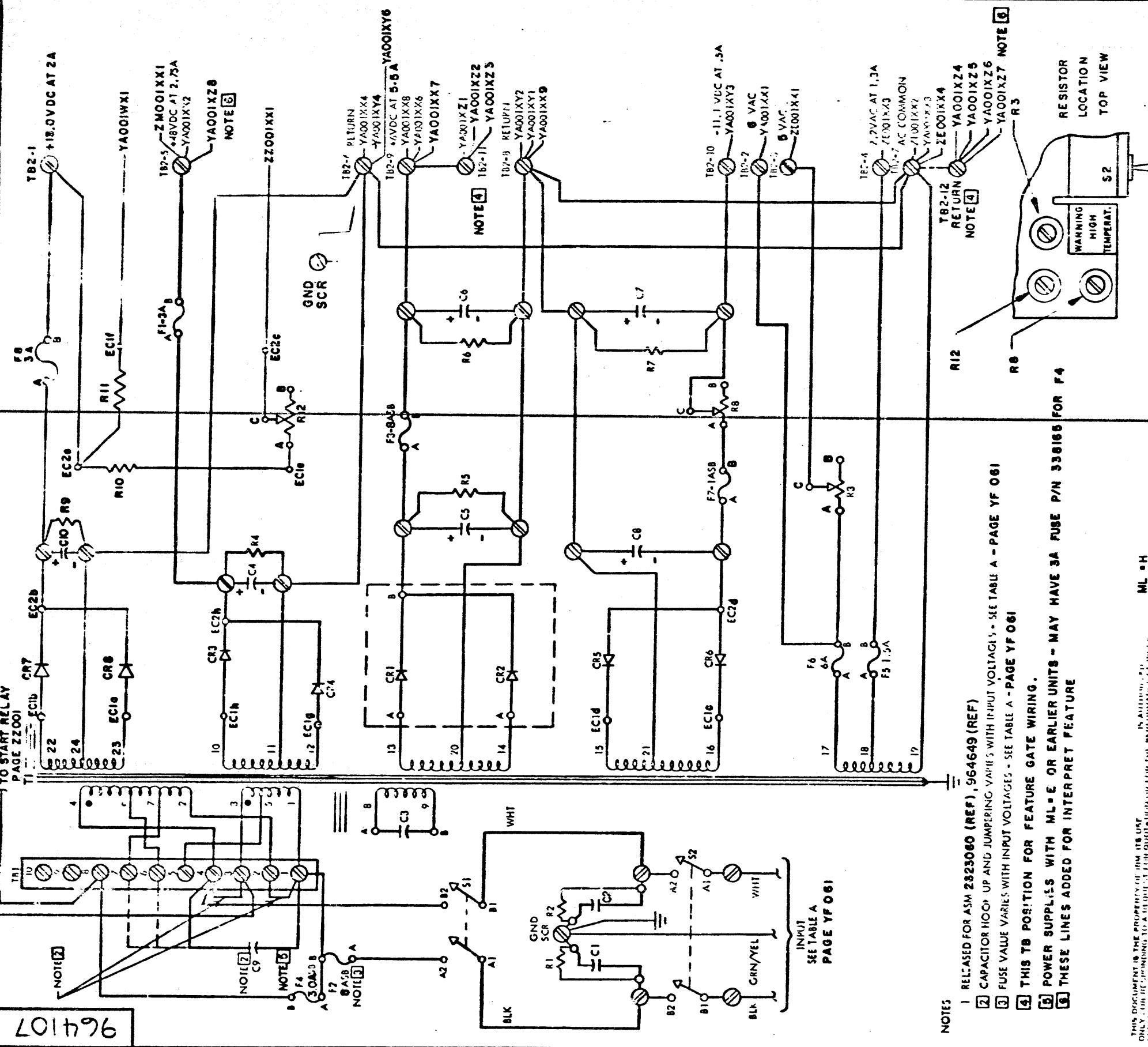
MOTOR VOLT. WHT TO MOTOR COILS PAGE ZZ001  
BLK TO START RELAY PAGE ZZ001



- NOTES
- 1 RELEASED FOR ASM 2623060 (REF), 964649 (REF), 1836100 (REF), 1835840 (REF).
  - 2 CAPACITOR HOOK UP AND JUMPING: VARIES WITH INPUT VOLTAGES - SEE TABLE A - PAGE YF 061
  - 3 FUSE VALUE VARIES WITH INPUT VOLTAGES - SEE TABLE A - PAGE YF 061
  - 4 THIS TB POSITION FOR FEATURE GATE WIRING.
  - 5 POWER SUPPLIES WITH ML-E OR EARLIER UNITS - MAY HAVE 3A FUSE P/N 338165 FOR F4
  - 6 THESE LINES ADDED FOR INTERPRET FEATURE

THIS DOCUMENT IS THE PROPERTY OF IBM. ITS USE IS LIMITED TO THE PROJECT FOR WHICH IT WAS PREPARED. IT IS NOT TO BE REPRODUCED OR TRANSMITTED IN ANY FORM OR BY ANY MEANS, ELECTRONIC OR MECHANICAL, INCLUDING PHOTOCOPYING, RECORDING, OR BY ANY INFORMATION STORAGE AND RETRIEVAL SYSTEM, WITHOUT PERMISSION IN WRITING FROM THE IBM CORPORATION, INTERNATIONAL BUSINESS MACHINES CORPORATION, ARMONK, NEW YORK 10503.

IBM		ML-EH	
NAME	POWER SUPPLY, 60HZ WIRING SCHEMATIC	CHANGE NO.	
DESIGN	JR	DATE	25 JUL 72
REVISION	RVL	SEE E.C. HISTORY	920768
DATE	21 APR 71	DATE	21 FEB 73
BY	OS	DATE	
APPROVED	WG	DATE	
SHEET 1 OF 1		CHANGE NO.	
MUST CONTINUE TO LOG SPEC		DATE	
PROJECT NO		DATE	
EQUIPMENT NO		DATE	
LOGIC PG NO		DATE	
FORM NO		DATE	
964107		DATE	
C		DATE	



NOTES

- 1 RELEASED FOR ASM 2823060 (REF), 964649 (REF)
- 2 CAPACITOR HOOP UP AND JUMPING VARI'S WITH INPUT VOLTAGE'S - SEE TABLE A - PAGE YF 061
- 3 FUSE VALUE VARIES WITH INPUT VOLTAGES - SEE TABLE A - PAGE YF 061
- 4 THIS TB POSITION FOR FEATURE GATE WIRING.
- 5 POWER SUPPLIES WITH ML-E OR EARLIER UNITS - MAY HAVE 3A FUSE P/N 356165 FOR F4
- 6 THESE LINES ADDED FOR INTERPRET FEATURE

THIS DOCUMENT IS THE PROPERTY OF IBM. ITS USE IS LIMITED TO THE PROJECT FOR WHICH IT WAS PREPARED. IT IS NOT TO BE REPRODUCED OR TRANSMITTED IN ANY FORM OR BY ANY MEANS, ELECTRONIC OR MECHANICAL, INCLUDING PHOTOCOPYING, RECORDING, OR BY ANY INFORMATION STORAGE AND RETRIEVAL SYSTEM.

ML-H

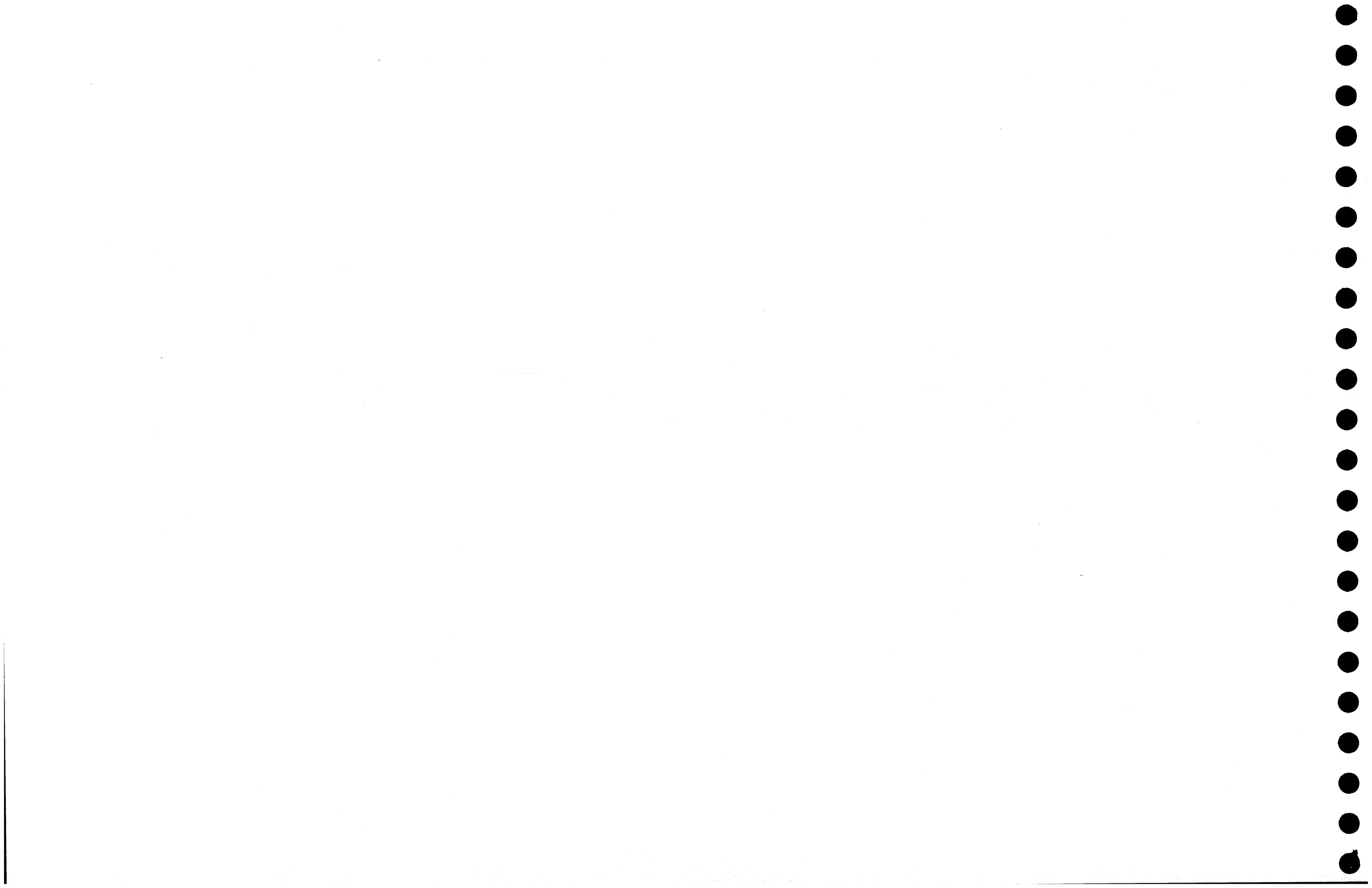
NAME	DATE	CHANGE NO	DATE	CHANGE NO
POWER SUPPLY, 60HZ WIRING SCHEMATIC	27 APR 71	920240	17 MAY 72	920564
	7 JUL 71	920449	30 MAY 72	920706
	20 OCT 71	920558	16 JUN 72	920797
	3 MAY 72	920718	25 JUL 72	920768

964107 C

DESIGN	DATE	CLASSIFICATION	DEVELOPMENT NO	LOGIC PG NO
JR	21 APR 71	BHT 1 OF 1		Y1060
RVL	21 APR 71			
CHECK	DS	21 APR 71		
APPRO	WG	21 APR 71		

89-291

MUST CONFORM TO ENG SPEC



C 801496

PART NO 964108  
LOGIC PU NO YFC01

COMPONENT CHART 60HZ

CHART	PART NO.	DESCRIPTION	REMARKS
C1, C2	737805	.01 MFD, 1000VDC	ASM P/N 2609103
C3	5252624 5252841	8 MFD, 660 VAC	NOTE 4
C4	5214962	10,000 MFD, 50VDC	
C5, C6	5214966	84,000 MFD, 10VDC	
C7	5214969	9,600 MFD, 25VDC	
C8	5214162	3,000 MFD, 50VDC	NOTE 2
C9	2102144	1.0 MFD, 600VDC	ASM P/N 2609124
C10	9214982	55,000 MFD 20 VDC	
CR1, CR2	598479	10A DIODE	
CR3, CR4	5323537	2A DIODE	ASM P/N 5732249
CR5 - CR8	1149212	3A DIODE	ASM P/N 2609123
F1, F8	855292	3A INSTANTANEOUS	
F3	5214302	8A SLOW BLOW	
F4	398165	3.0 A SLOW BLOW	
F5	5214149	1.5A MEDIUM TIME LAG	
F6	5214456	6A MEDIUM TIME LAG	
F7	303549	1A SLOW BLOW	
R1, R2	300736	1 MEG OHM .5W	ASM P/N 2609103
R3	963521	10Ω 50W VARIABLE	NOTE 3
R4	207379	1K, 5W	ASM P/N 2609119
R5, R6, R7, R9	317049	1K, 1W	ASM P/N 337523
R8	254867	50Ω, 50W VARIABLE	
R10	2396638	1Ω - 10W 1%	ASM PN 963623
R11	609421	30Ω - 10 W	ASM PN 963588
R12	963521	10Ω - 50W - VARIABLE	ASM P/N 963541
S1	805023	DPST SWITCH	
S2	83246	DPST SWITCH	
T1	2623063	TRANSFORMER, 60HZ	

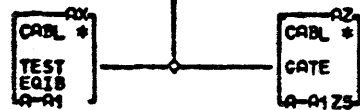
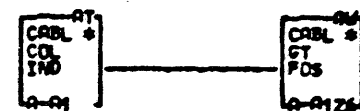
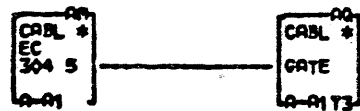
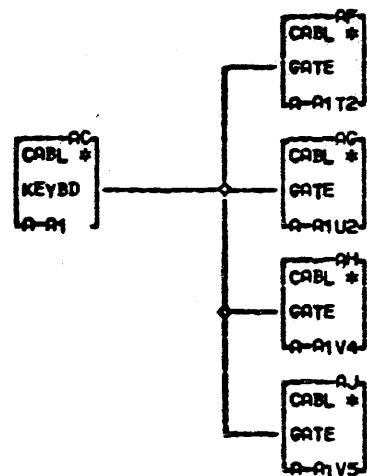
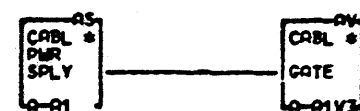
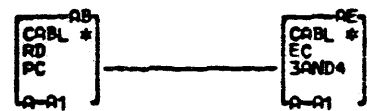
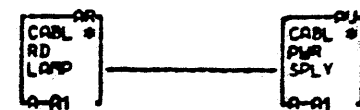
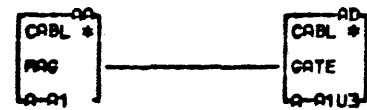
TABLE A

INPUT VOLTS	PRIMARY CONNECTIONS		MAIN LINE FUSE RED'D F2
	JUMPERS	LINE & C9	
100	1 & 2, 5 & 6	1 & 6	8A-SB 5214302
115	1 & 2, 3 & 4	1 & 4	8A-SB 5214302
200	2 & 5	1 & 6	AA-SB 5214456
208	2 & 3	1 & 7	6A-SB 5214456
230	2 & 3	1 & 4	6A-SB 5214456

NOTES  
 1 RELEASED FOR ASM 2623060 (REF), 964649 (REF), 1836100 (REF), 1865840 (REF). 4 CAPACITOR 5252624 (REF) USED IN P.S. 2623060 (REF), 964649 (REF)  
 2 C8 MAY BE P/N 483107 (3100 MFD, 25 VDC) IN SOME POWER SUPPLIES  
 3 R3 MAY BE 341750 ON UNITS WITH ML-E OR EARLIER  
 4 CAPACITOR 5252624 (REF) USED IN P.S. 2623060 (REF), 964649 (REF)  
 CAPACITOR 5252841 (REF) USED IN P.S. 1836100 (REF), 1835840 (REF)

THIS DOCUMENT IS THE PROPERTY OF IBM. ITS USE IS AUTHORIZED ONLY FOR THE PERFORMANCE OF WORK ASSIGNED THEREBY. IT IS TO BE RETURNED TO THE PURCHASING DEPARTMENT FOR REUSE OR DESTRUCTION.

NAME		DATE		CHANGE NO	DATE	CHANGE NO
DESIGN JR		21 APR 71	27 APR 71	920240	16 JUN 72	920797
DETAIL RVL		21 APR 71	20 OCT 71	920558	25 JUL 72	920768
CHECK DS		21 APR 71	4 MAR 72	920564	21 FEB 73	920892
APPRO WG		21 APR 71	30 MAY 72	920706	26 DEC 73	921035
MUST CONFORM TO ENG SPEC		DEVELOPMENT NO		LOGIC PG NO		YF01
895291						
						964108
						C



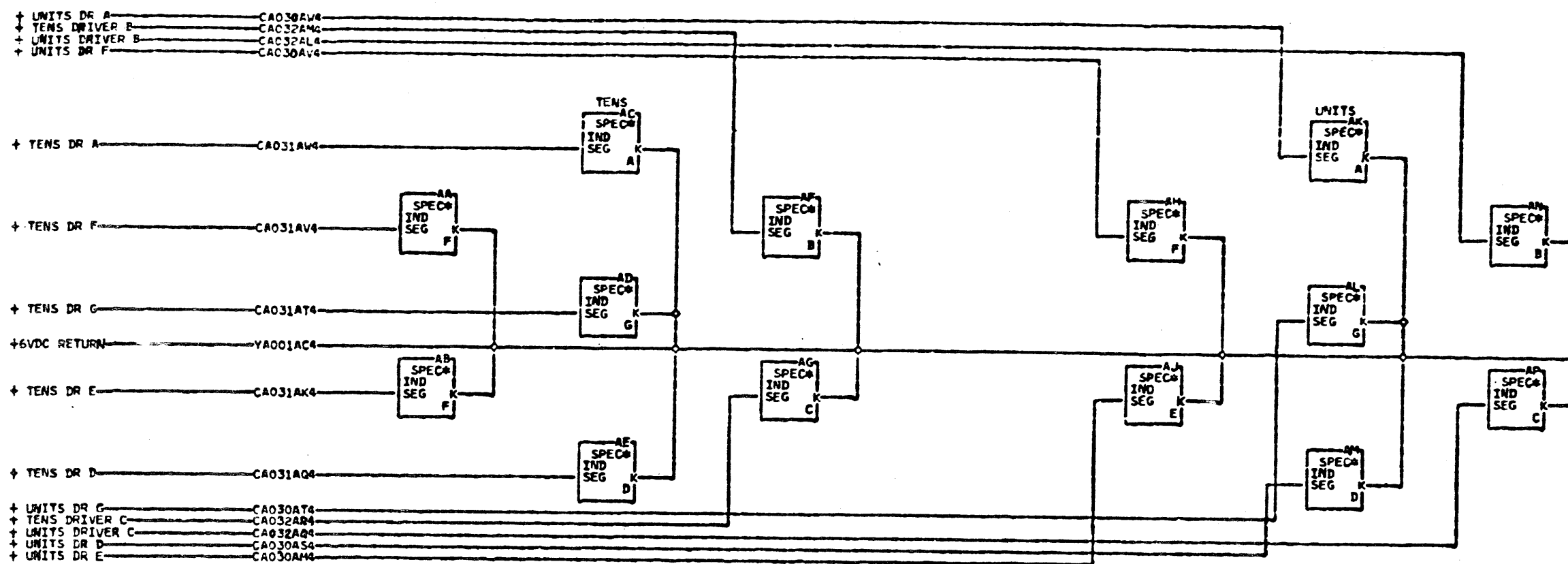
LOC. TYPE

000  
NU001

CABLES VERIFY SR	
E.C. HISTORY 920240	R. PACH. SM129 PAGE 01
DATE 04-10-72	LAST EC 920730
	IBM CORP. P.N. 964098

000  
ZC001



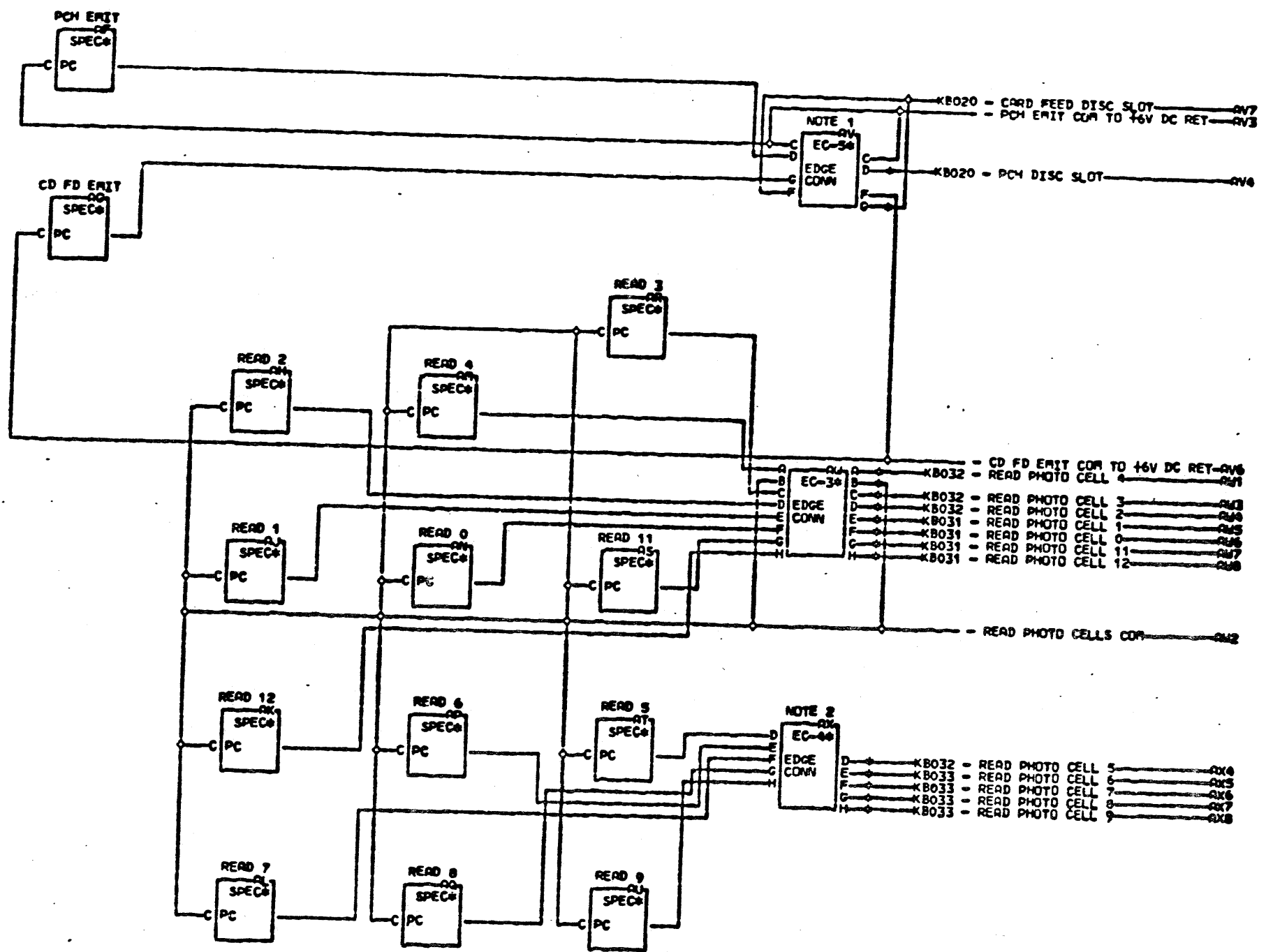
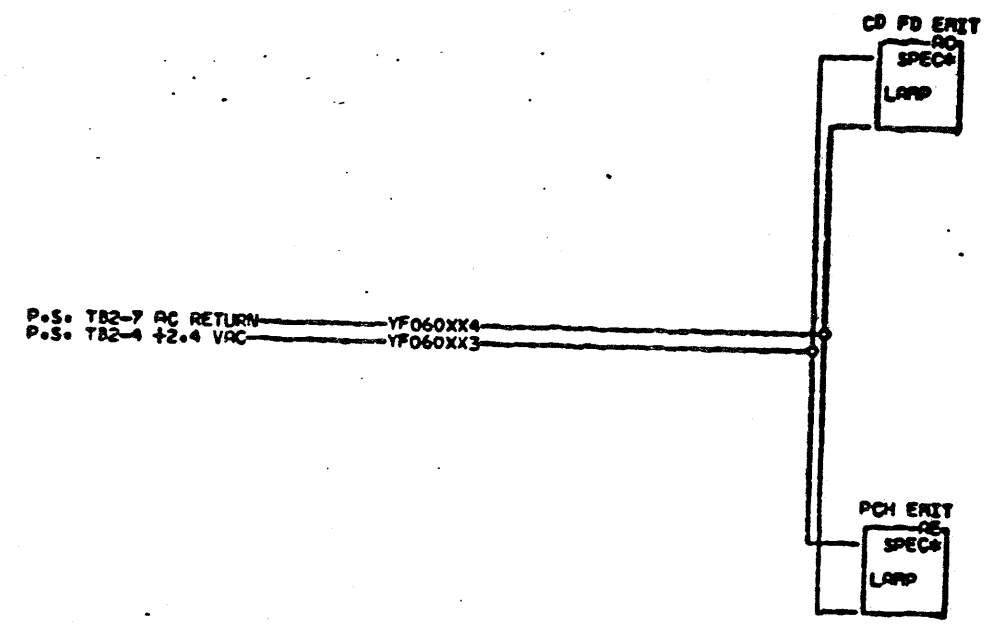
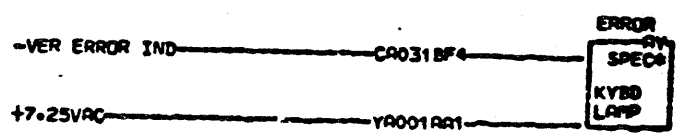
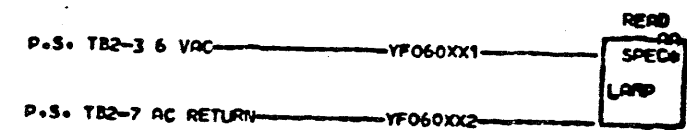


000  
ZD001

LUC. TYPE

LED COLUMN INDICATORS SM	
E-C-HISTORY	MACH-SM129
DATE	LAST EC
03-26-71	920240
FRAME	01
INM COMP.	
P.N.	964099

ZD001  
000



NOTE 1 COM OF TWISTED PAIR CD  
 FD ERIT V2B12 PCH ERIT V2B10  
 Z SEE YA001 AC2 FOR RET TO GND  
 E NOTE 2 PC'S WITH EC920560 INST  
 O ALLED WILL NOT HAVE EC3 OR EC4  
 O WIRING ON THESE PC'S IS DIRECT  
 1 FROM READ PHOTO CELLS TO AIT3  
 PIN LOCATIONS ARE SAME AS  
 000SHOWN UNDER EXISTING NETS.

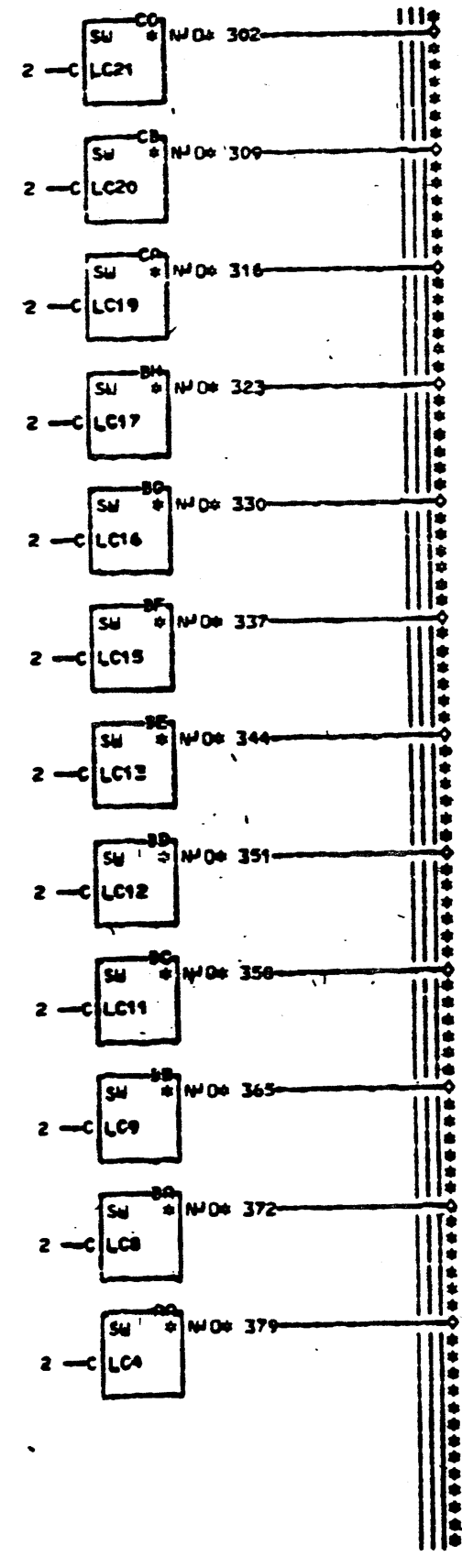
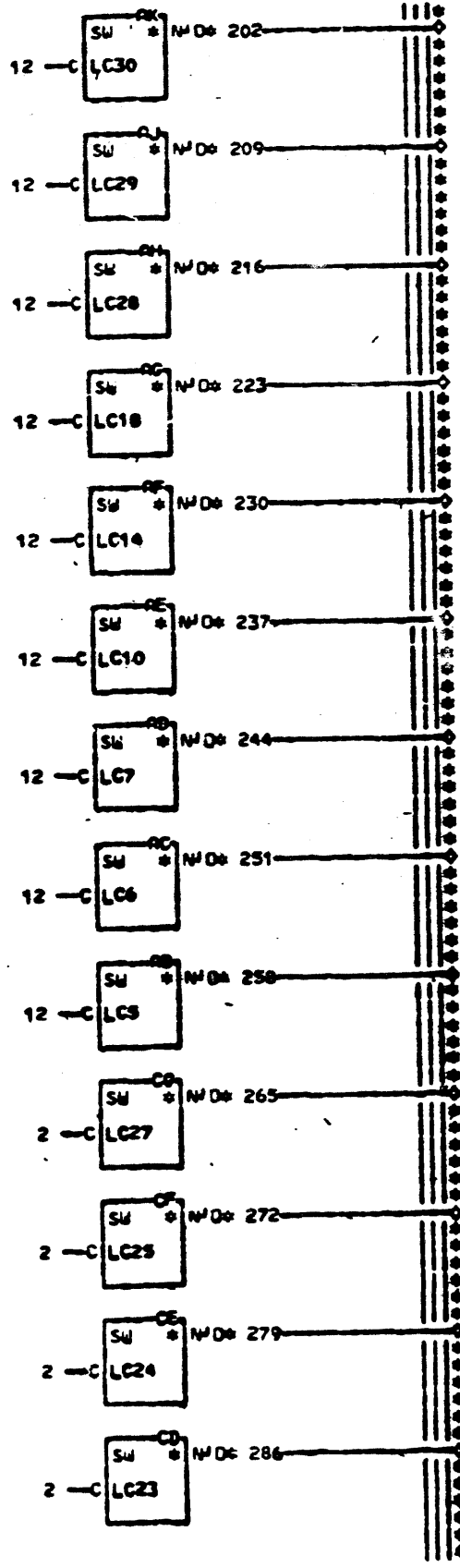
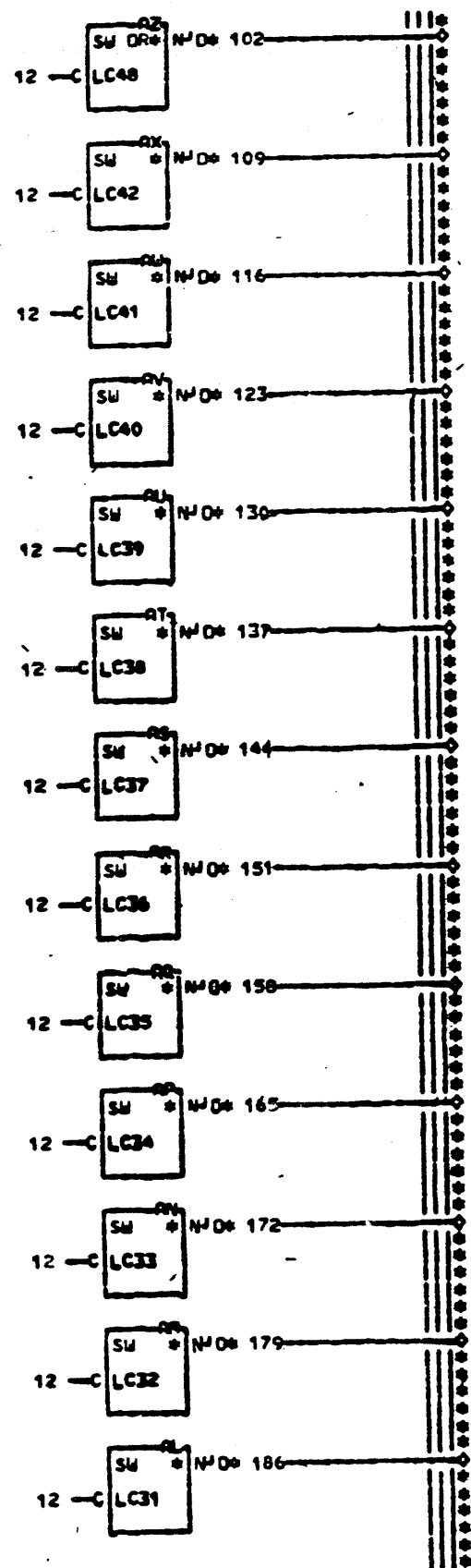
AV4	A-21V2B11	AV8	A-21T3B02
AV7	A-21V2B13	AX4	A-21T3B09
AV1	A-21T3B08	AX5	A-21T3B10
AV2	A-21T3B08	AX6	A-21T3B11
AV3	A-21T3B07	AX7	A-21T3B12
AV4	A-21T3B06	AX8	A-21T3B13
AV5	A-21T3B05		
AV6	A-21T3B04		
AV7	A-21T3B03		

LOC. TYPE

READ STATION J ERITTER PHOTO C AND LIGHT SOURCES SA	
E.C.-HISTORY 920240	FRAME 01
DATE 10-27-71	LAST EC 920581
IBN CORP. P.N. 964100	

1000000000

- KYBD COMB GATE - KB022BA4 - 2 - AC  
 GROUND - ZK001001 - 12 - 09



- 000 ZK001 ZK002
- 258 - KB A LC 5
  - 251 - KB AT DR MUM SN LC
  - 244 - KB Z LC 7
  - 227 - KB PCT DR COMMA SN LC 10
  - 230 - KB AST DR DOLA SNF LT CNT 14
  - 223 - KB LESS THN DR SN LC 18
  - 216 - KB 1 DR U LC 28
  - 209 - KB 4 DR J LC 29
  - 202 - DASH KEY LC 30
  - 186 - KB 7 DR M LC 31
  - 179 - KB 2 DR I LC 32
  - 172 - KB 5 DR K LC 33
  - 165 - KB 0 DR SLASH SN LC 34
  - 158 - KB 8 DR COMMA SN LC 35
  - 151 - KB 3 DR D LC 36
  - 144 - KB 6 DR L LC 37
  - 137 - KB SPACE LC 38
  - 130 - KB 9 DR SN LC 39
  - 123 - KB P DR AMPERSAND SN LC 40
  - 116 - KB SKIP LC 41
  - 109 - KB RELEASE LC 42
  - 102 - KB LZ CONT 48 DOT

- \*\*\* ZK002 \*\*\*
- 379 - KB Q DR PLUS SN LC 4
  - 372 - KB M DR UNSCOR SN LC 8
  - 365 - KB S DR GRT THAN SN LC 9
  - 358 - KB X DR QUES MK LC 11
  - 351 - KB E DR RT PAREN LC 12
  - 344 - KB D DR COLN LC 13
  - 337 - KB C DR DBL QUOTE LC 15
  - 330 - KB R DR CENT SN LC 16
  - 323 - KB F DR SEMI COLN LC 17
  - 316 - KB V DR EQUL SN LC 19
  - 309 - KB T DR 0-8 LC 20
  - 302 - KB G DR SN LC 21
  - 286 - KB B DR EXCLAM SN LC 23
  - 279 - KB Y DR I LC 27
  - 272 - KB H DR PRIME SN LC 25
  - 265 - KB N DR LT PAREN LC 27

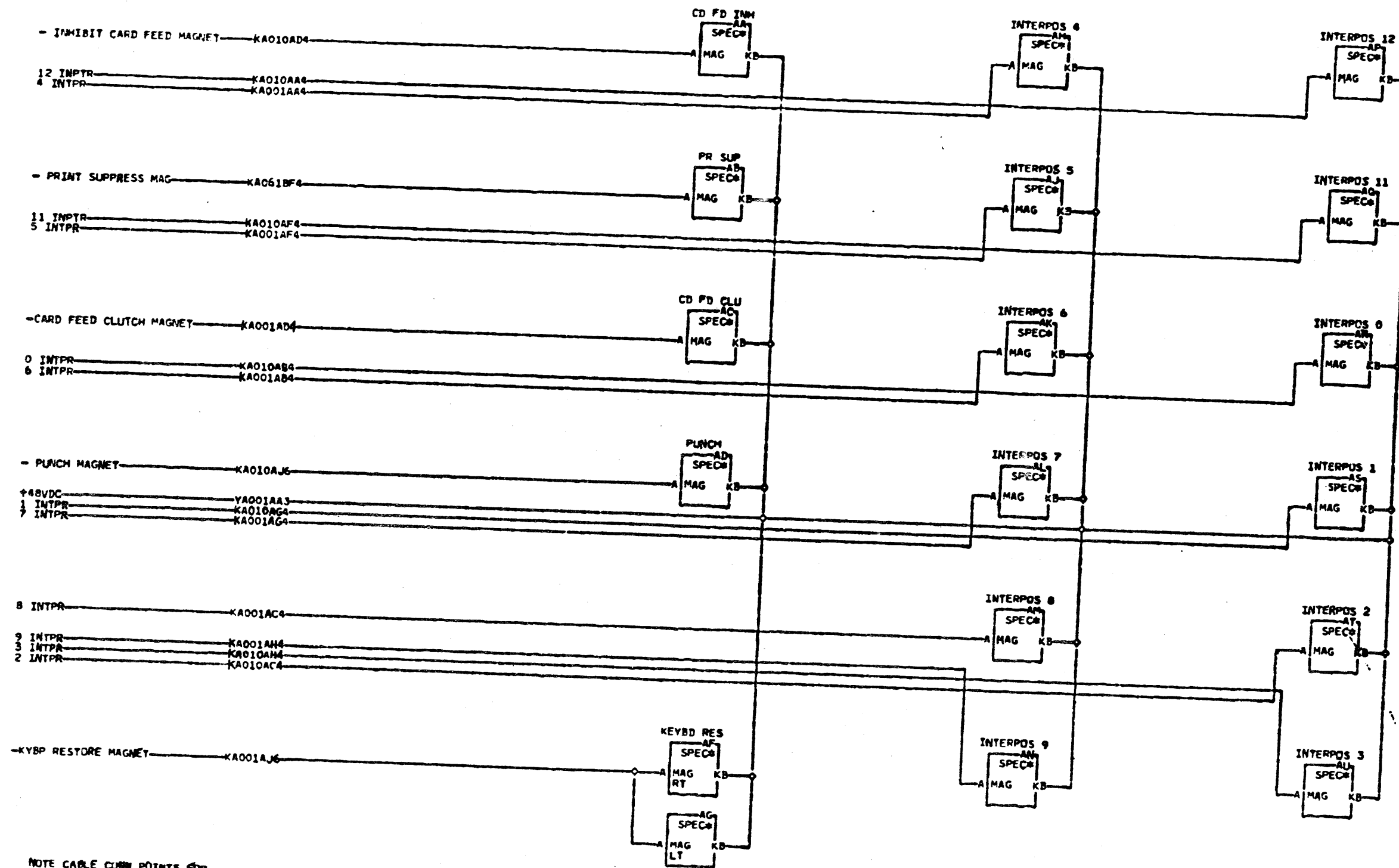
EDGE CONN.	165	R-01V5807	244	R-01V4004	323	R-01V4809	
102	R-01V5812	172	R-01V5009	251	R-01V4803	330	R-01V4806
109	R-01V5812	179	R-01V5806	258	R-01V4802	337	R-01V4808
116	R-01V5811	186	R-01V5806	265	R-01V5004	344	R-01V4807
123	R-01V5811	202	R-01V5805	272	R-01V5802	351	R-01V4806
130	R-01V5810	209	R-01V5805	279	R-01V5802	358	R-01V4806
137	R-01V5810	216	R-01V5804	286	R-01V4812	365	R-01V4806
144	R-01V5809	223	R-01V4010	302	R-01V4811	372	R-01V4804
151	R-01V5809	230	R-01V4807	309	R-01V4011	379	R-01V4802
158	R-01V5808	237	R-01V4805	316	R-01V4810		

LOC. TYPE

PAGE VER EC REV  
 ZK001 000 920543  
 ZK002 000 920543

KEYBOARD LATCH CONTACTS OR	
E.C. HISTORY	RACH-SM129
920240	FRAME 01 ZK001
920410	
DATE LAST EC	IBM CORP. ZK002
09-09-71 920543	P.N. 964101 000

ZK001  
 ZK002  
 000

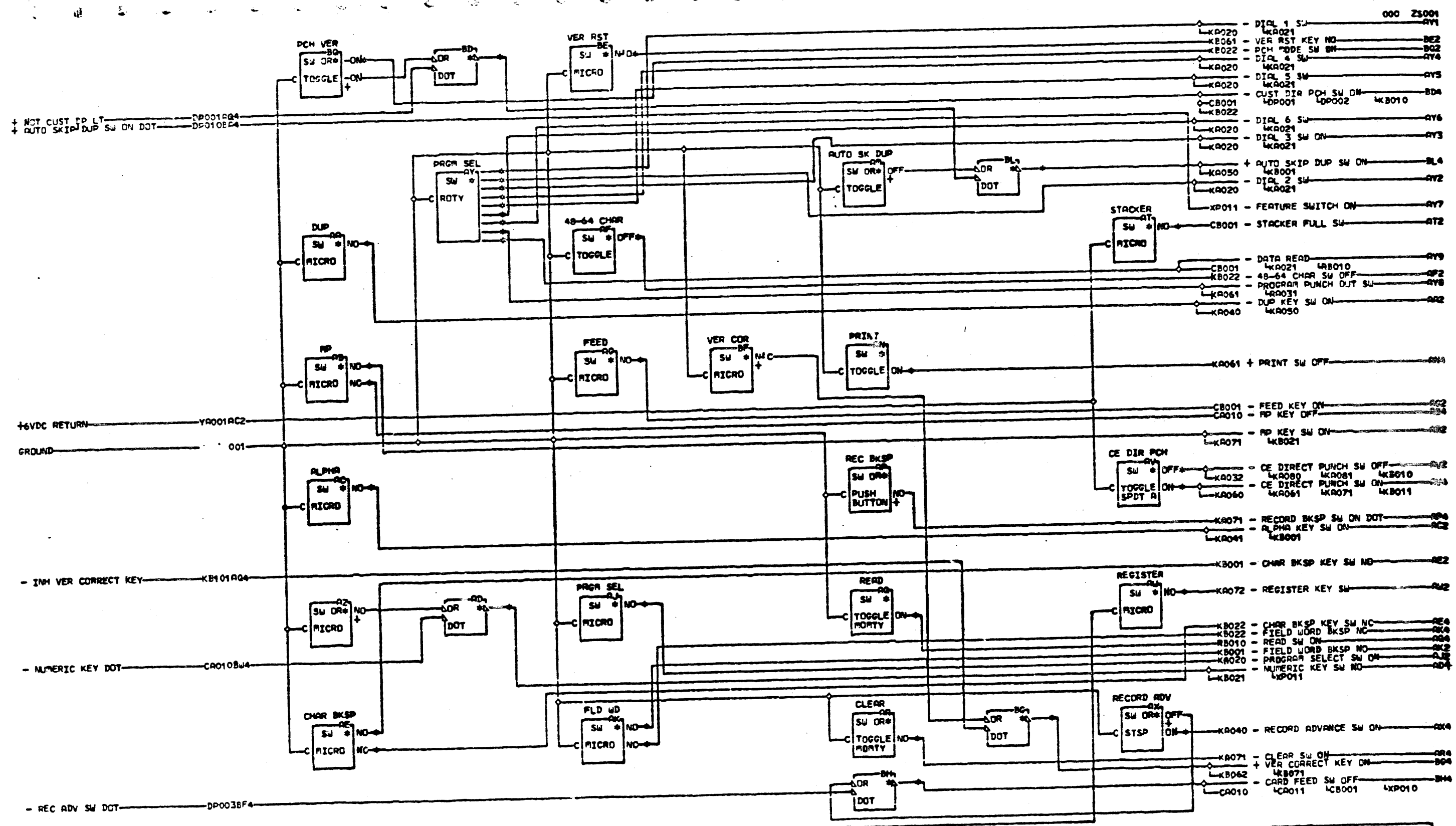


NOTE CABLE CUMM POINTS FOR  
 148V TO MAGNETS  
 Z CD FD INH U3D11  
 M PR SUP U3B06  
 O CD FD CLU U3B04  
 O PUNCH U3B02  
 I KEYBD RES T2808  
 INTERPOSERS U3D10 U3D18  
 000

LOC. TYPE

MAGNETS SM	
E.C. HISTORY	MACH. SM129
DATE	FRAME 01
LAST EC	IBM CURP.
103-27-71 920240	P.No 964102

2M001  
 000



+ NOT CUST IP LT DP001A4  
 + AUTO SKIP DUP SW ON DOT DP010E4

+6VDC RETURN YR001AC2  
 GROUND 001

- IMM VER CORRECT KEY KB101A4

- NUMERIC KEY DOT CA010B4

- REC ADV SW DOT DP003BF4

- PCH DR DP KB022AT4

- 000 ZS001
- KA020 - DIAL 1 SW AY1
- KA021 - VER RST KEY NO BE2
- KA022 - PCH MODE SW ON B02
- KA020 - DIAL 4 SW AY4
- KA021 - DIAL 5 SW AY5
- KA020 - CUST DIR PCH SW ON BD4
- CB001 - LDP001 LDP002 KB010
- KA020 - DIAL 6 SW AY6
- KA020 - DIAL 3 SW ON AY3
- KA050 - AUTO SKIP DUP SW ON BL4
- KA020 - DIAL 2 SW AY2
- XP011 - FEATURE SWITCH ON AY7
- CB001 - STACKER FULL SW AT2
- CB001 - DATA READ LK021 LK010 AY9
- KB022 - 48-64 CHAR SW OFF AF2
- KA061 - PROGRAM PUNCH DLT SW AY8
- KA040 - DUP KEY SW ON A02
- KA061 - PRINT SW OFF AN3
- CB001 - FEED KEY ON B02
- CA010 - PP KEY OFF B34
- KA071 - PP KEY SW ON A02
- KA071 - CE DIRECT PUNCH SW OFF AY2
- KA032 - CE DIRECT PUNCH SW ON AN3
- KA060 - CE DIRECT PUNCH SW ON AY2
- KA071 - RECORD BKSP SW ON DOT AP4
- KA041 - ALPHA KEY SW ON AC2
- KB001 - CHAR BKSP KEY SW NO BE2
- KA072 - REGISTER KEY SW AY2
- KB022 - CHAR BKSP KEY SW NO BE4
- KB022 - FIELD WORD BKSP NO AN9
- KB010 - READ SW ON A04
- KB001 - FIELD WORD BKSP NO AK2
- KA020 - PROGRAM SELECT SW ON A02
- KB021 - NUMERIC KEY SW NO AD4
- KA040 - RECORD ADVANCE SW ON AX4
- KA071 - CLEAR SW ON OR4
- KB062 - VER CORRECT KEY ON B04
- KB071 - CARD FEED SW OFF B44
- CA010 - LCA011 LCB001 LCP010

LOC. TYPE

SWITCHES SA	
-E.C.-HISTORY-	B-PACH-SM129
920410	920496
920432	920543
920460	920581
920482	920730
DATE	LAST EC
06-05-72	920753
	P.N. 964103

AA2	P-A1T2B02	AJ2	P-A1T2D12	AJ2	P-A1V5B03	AY8	P-A1U2D05
AE2	P-A1T2B03	AK2	P-A1T2D09	AX4	P-A1T2B05	AY8	P-A1U2B05
AB4	P-A1T2D04	AK4	P-A1T2E07	AY1	P-A1U2D09	B02	P-A1U2D11
AC2	P-A1T2B04	AN4	P-A1T2B06	AY2	P-A1U2B08	BE2	P-A1T2D07
AC2	P-A1T2D05	AO4	P-A1U2D04	AY3	P-A1U2B07	BG2	P-A1T2B11
AE2	P-A1U2B13	AR4	P-A1U2B02	AY4	P-A1U2D07	BK2	P-A1T2D06
AE4	P-A1T2B11	AT2	P-A1V2B06	AY5	P-A1U2B06	BL2	P-A1U2B03
AF2	P-A1U2D02	AV2	P-A1V2B09	AY6	P-A1U2B06	B02	P-A1U2B10
AG2	P-A1U2D10	AV4	P-A1V2D05	AY7	P-A1U2B04		

Z  
 0  
 0  
 0  
 1  
 000

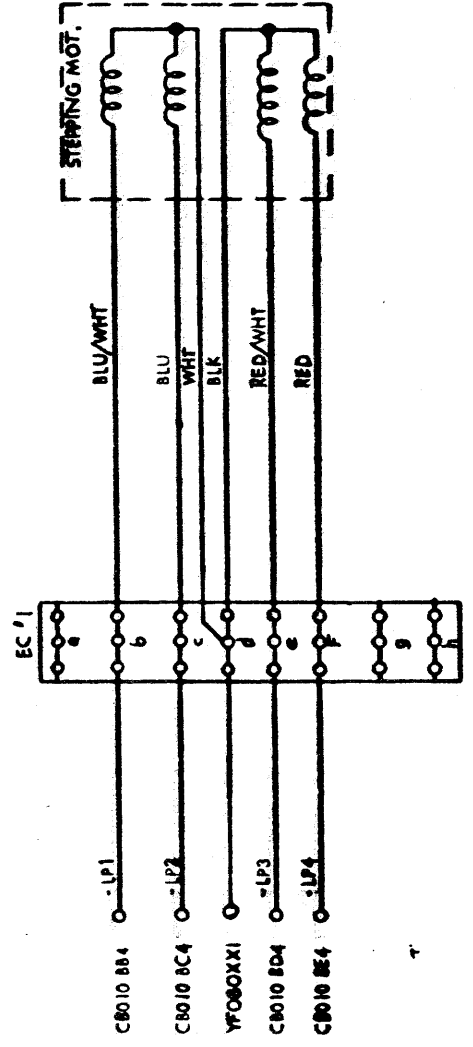
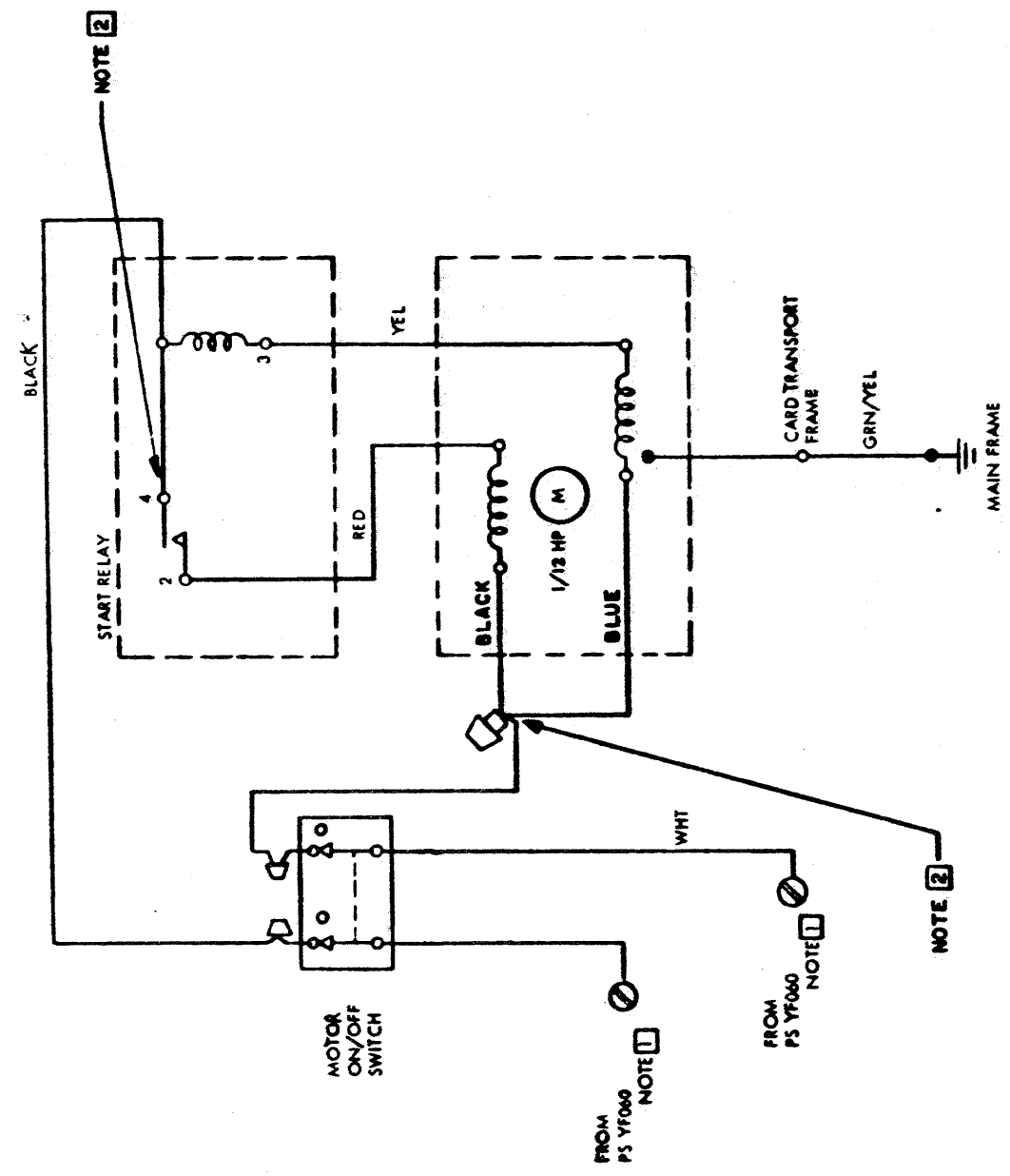
Z  
 8  
 0  
 0  
 1  
 00C

601+96

PART NO. 964109

LOGIC PG. NO. ZZ001

MOTORS AND START RELAY



- NOTES
- 1 FOR SCHZ, PAGE YF69D CORRESPONDS TO PAGE YF66D
  - 2 FAN TERMINATION (IF MACHINE IS SO EQUIPPED)

THIS DOCUMENT IS THE PROPERTY OF IBM. ITS USE IS AUTHORIZED ONLY FOR REFERRING TO A REQUEST FOR QUOTATION OR FOR THE PERFORMANCE OF WORK FOR IBM. ALL QUESTIONS MUST BE REFERRED TO THE IBM PURCHASING DEPARTMENT.

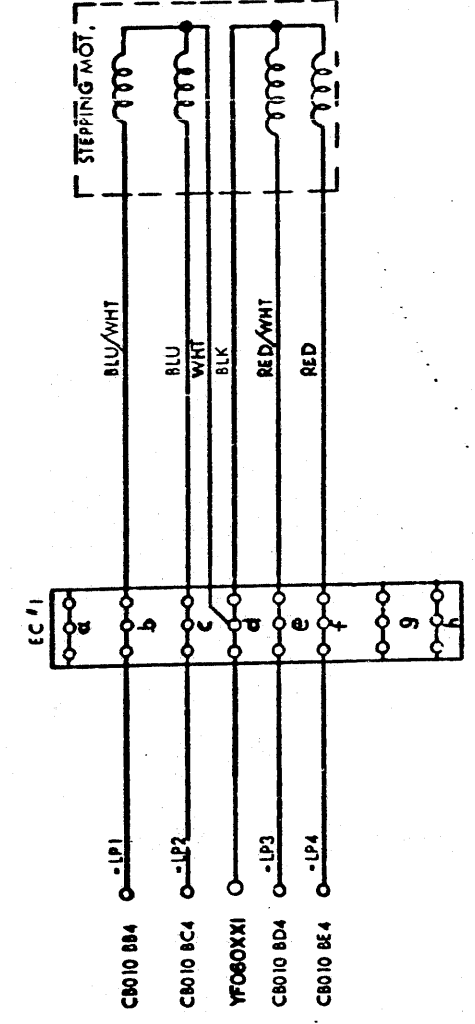
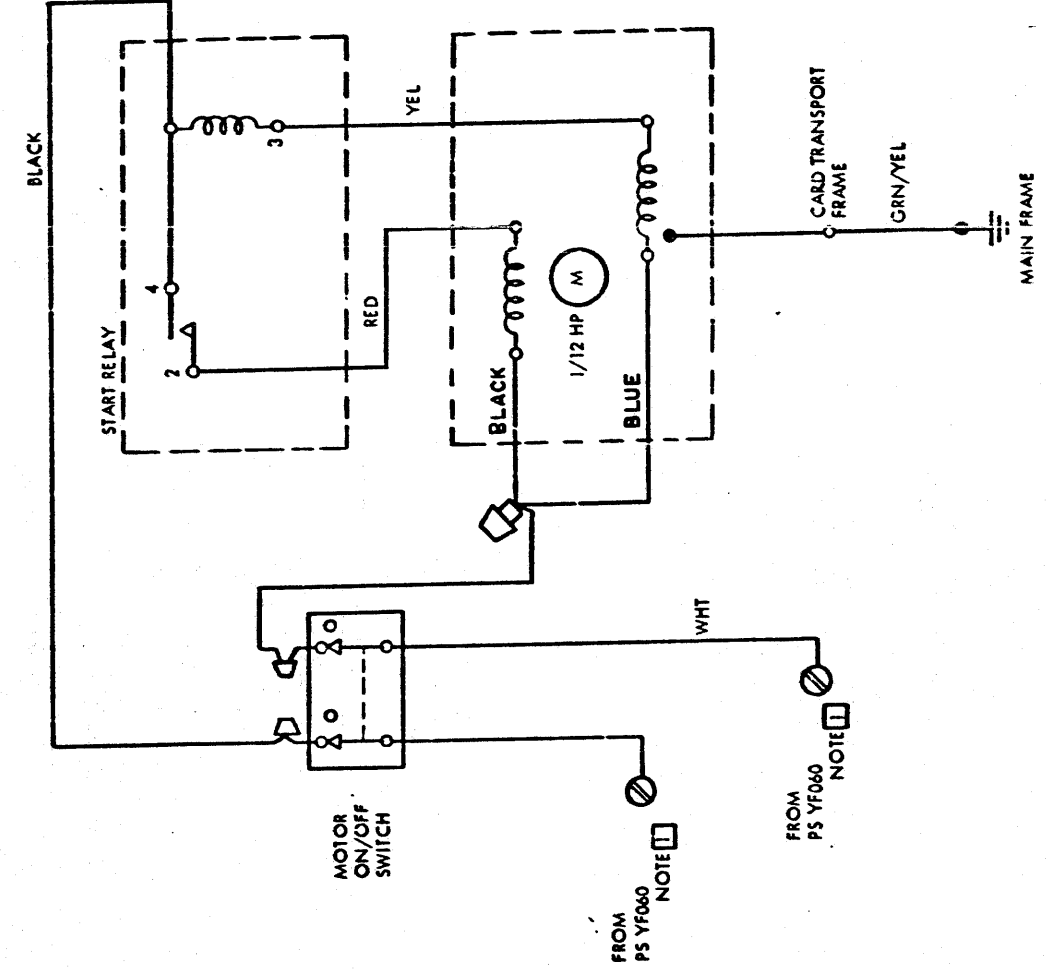
NAME		DATE		CHANGE NO.		DATE		CHANGE NO.	
WIRING DESIGNER		27 APR 71		920240					
DESIGN		20 SEP 71		920496					
DETAIL		4 MAR 72		920564					
CHECK		27 APR 73		920902 - A					
APPRO		MUST CONFORM TO ENG SPEC		DEVELOPMENT NO.		LOGIC PG NO		ZZ001	
WG		8/13/71						C	
964109									

IBM 8114 9 0010 00000000 VERTICAL ELECTRICAL FORMS 11/67 (11/67) 8M

601496

PART NO 964109 LOGIC PG NO ZZ001

MOTORS AND START RELAY



NOTES  
 FOR 50HZ, PAGE YF050 CORRESPONDS TO PAGE YF060

THIS DOCUMENT IS THE PROPERTY OF IBM. ITS USE IS LIMITED TO THE PROJECT FOR WHICH IT WAS AUTHORIZED. IT IS NOT TO BE REPRODUCED OR TRANSMITTED IN ANY FORM OR BY ANY MEANS, ELECTRONIC OR MECHANICAL, INCLUDING PHOTOCOPYING, RECORDING, OR BY ANY INFORMATION STORAGE AND RETRIEVAL SYSTEM. FOR ALL OTHER QUESTIONS, CONTACT THE IBM PURCHASING DEPARTMENT.

NAME		DATE		CHANGE NO		DATE		CHANGE NO	
IBM		27 APR 71		920240					
DESIGN JR		21 APR 71		SHT 1 OF 1					
DETAIL RVL		21 APR 71				20 SEP 71		920496	
CHECK DS		21 APR 71		CLASSIFICATION		4 MAR 72		920564	
APPRO WG		21 APR 71		MUST CONFORM TO ENG SPEC					
430-0184-0		MODE 780331004		VERTICAL ELECTRICAL FORMAT		ASTROCEC/STG/MSB7		807	
		PS5591		DEVELOPMENT NO		LOGIC PG NO		ZZ001	
								964109	
								C	

