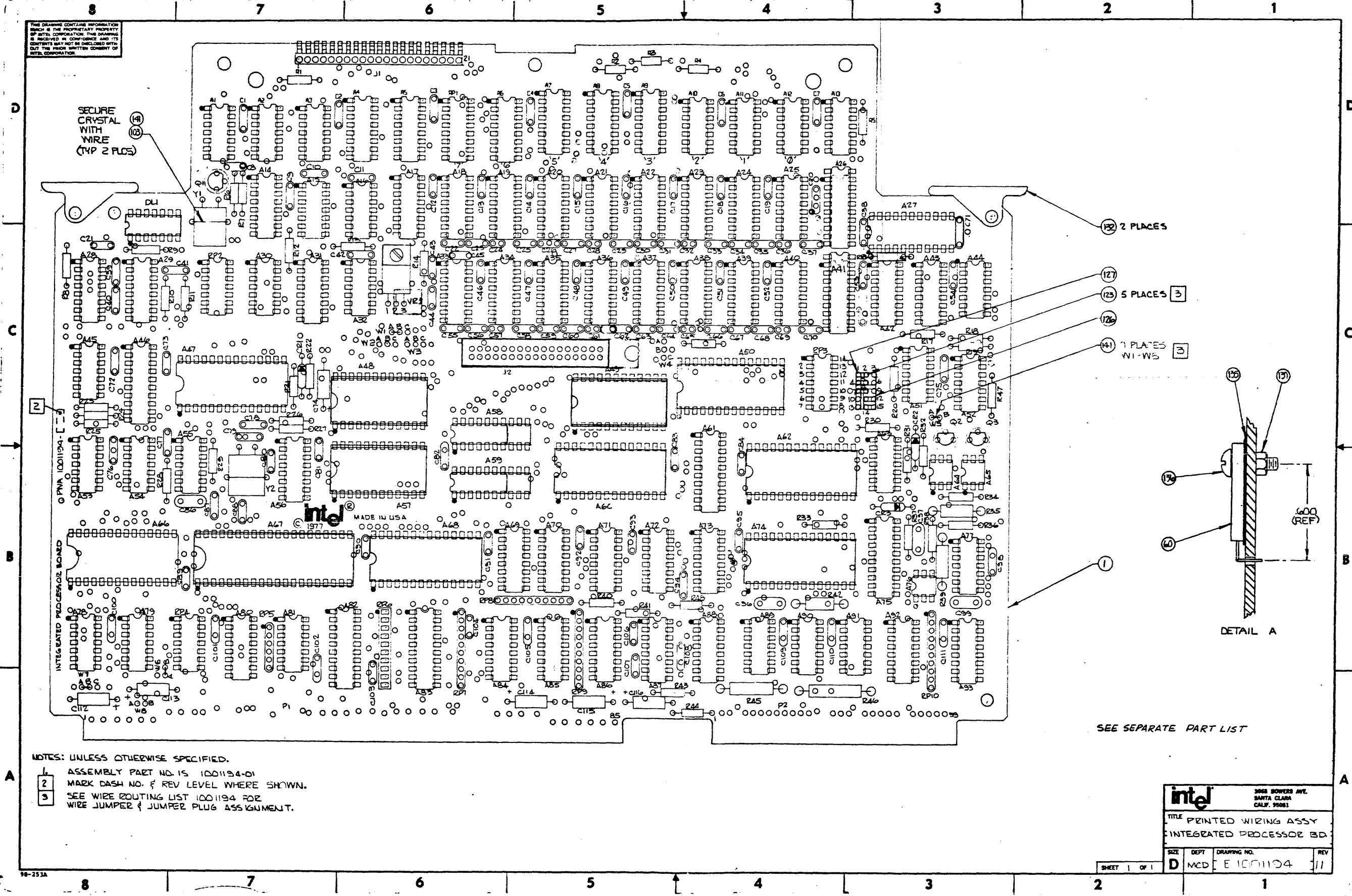


THIS DRAWING CONTAINS INFORMATION WHICH IS THE PROPRIETARY PROPERTY OF INTEL CORPORATION. THE DRAWING IS RECEIVED IN CONFIDENCE AND ITS DISCLOSURE MAY BE IN VIOLATION OF THE PATENT RIGHTS OF INTEL CORPORATION.



SECURE CRYSTAL WITH WIRE (TYP 2 PLCS)

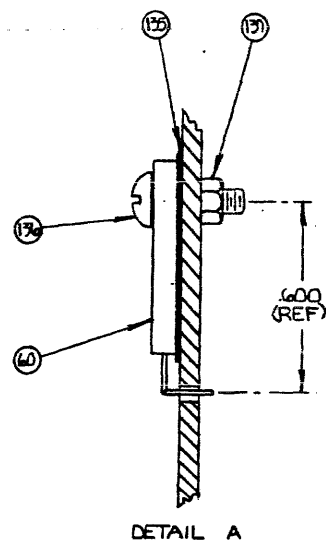
PL

2

INTEGRATED PROCESSOR BOARD

- NOTES: UNLESS OTHERWISE SPECIFIED.
- 1 ASSEMBLY PART NO. IS 1001194-01
 - 2 MARK DASH NO. & REV LEVEL WHERE SHOWN.
 - 3 SEE WIRE ROUTING LIST 1001194 FOR WIRE JUMPER & JUMPER PLUG ASSIGNMENT.

- 122 2 PLACES
- 127
- 123 5 PLACES 3
- 126
- 141 1 PLACES WI-W5 3



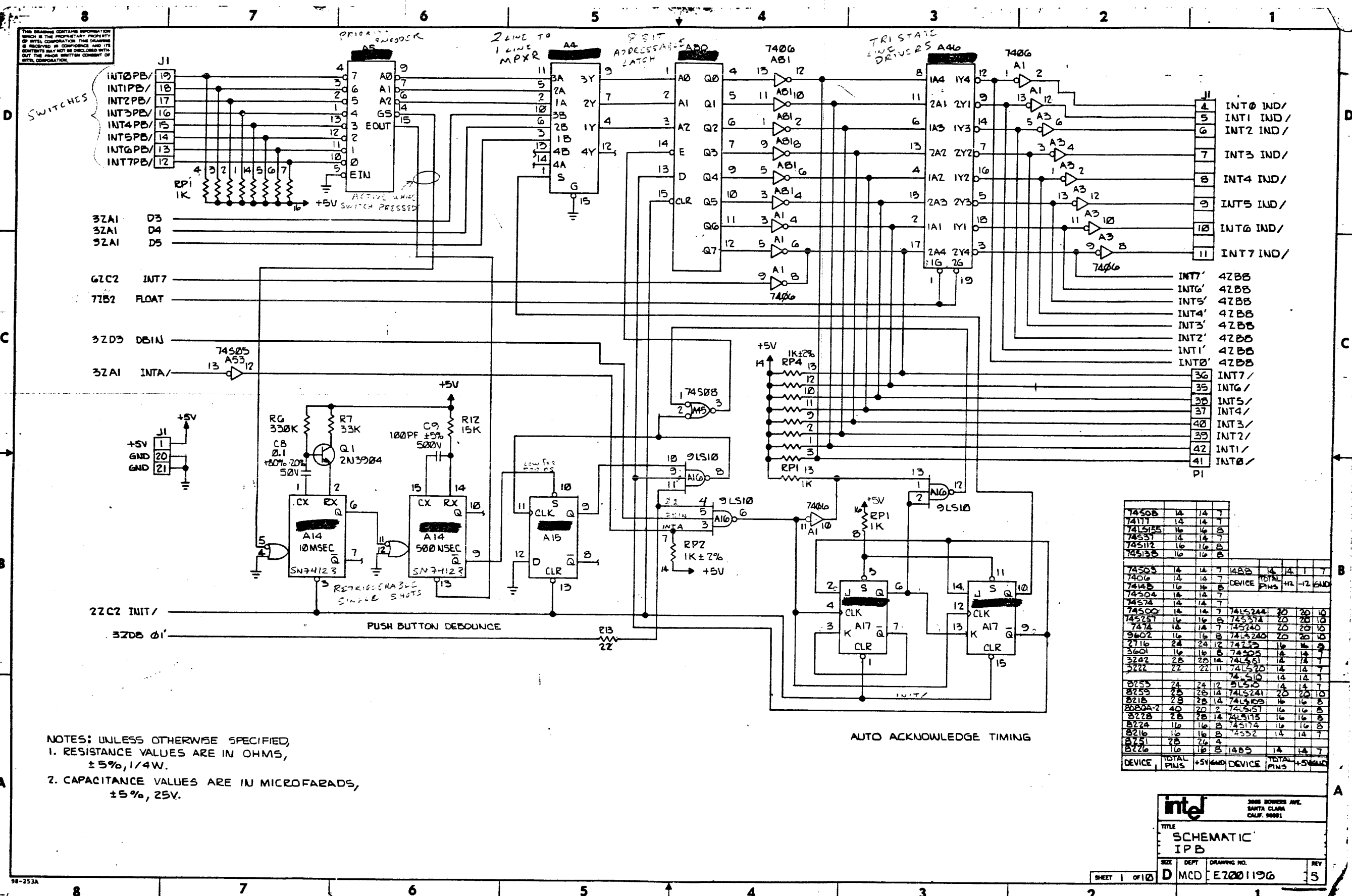
SEE SEPARATE PART LIST

intel		3865 BOWERS AVE. SANTA CLARA CALIF. 95051	
TITLE PRINTED WIRING ASSY INTEGRATED PROCESSOR BD.			
SIZE	DEPT	DRAWING NO.	REV
D	MCD	E 1001194	11

SHEET 1 OF 1

98-253A

THIS DRAWING CONTAINS INFORMATION WHICH IS THE PROPRIETARY PROPERTY OF INTEL CORPORATION. THE DRAWING IS PROVIDED IN CONFIDENCE AND ITS CONTENTS MAY NOT BE DISCLOSED WITHOUT THE PRIOR WRITTEN CONSENT OF INTEL CORPORATION.



NOTES: UNLESS OTHERWISE SPECIFIED,
 1. RESISTANCE VALUES ARE IN OHMS,
 ± 5%, 1/4W.
 2. CAPACITANCE VALUES ARE IN MICROFARADS,
 ± 5%, 25V.

74505	14	14	7	1485	14	14	1	7	
74111	14	14	7						
74LS155	16	16	8						
74531	14	14	7						
745112	16	16	8						
745135	16	16	8						
74503	14	14	7	1485	14	14	1	7	
7406	14	14	7						
74104	16	16	8	DEVICE	TOTAL		HL	-12	END
74504	14	14	7						
74574	14	14	7						
74500	14	14	7	74LS144	20	20	10		
745251	16	16	8	74LS174	20	20	10		
7474	14	14	7	74LS140	20	20	10		
9502	16	16	8	74LS240	20	20	10		
2116	24	24	12	74LS25	16	16	8		
3601	16	16	8	74505	14	14	7		
3242	28	28	14	74LS61	14	14	7		
3222	22	22	11	74LS20	14	14	7		
				74LS16	14	14	7		
B755	24	24	12	5LS10	14	14	7		
B759	28	28	14	74LS241	14	14	7		
B215	28	28	14	74LS109	16	16	8		
B280A-2	40	20	2	74LS27	16	16	8		
B278	28	28	14	74LS175	16	16	8		
B224	16	16	8	74LS174	16	16	8		
B216	16	16	8	2552	14	14	7		
B751	28	28	14						
B226	16	16	8	1485	14	14	7		
DEVICE	TOTAL			DEVICE	TOTAL				
	PINS	+5V	GND	PINS	+5V	GND			

intel
 3065 BOWERS AVE.
 SANTA CLARA
 CALIF. 95051

TITLE
 SCHEMATIC
 IPB

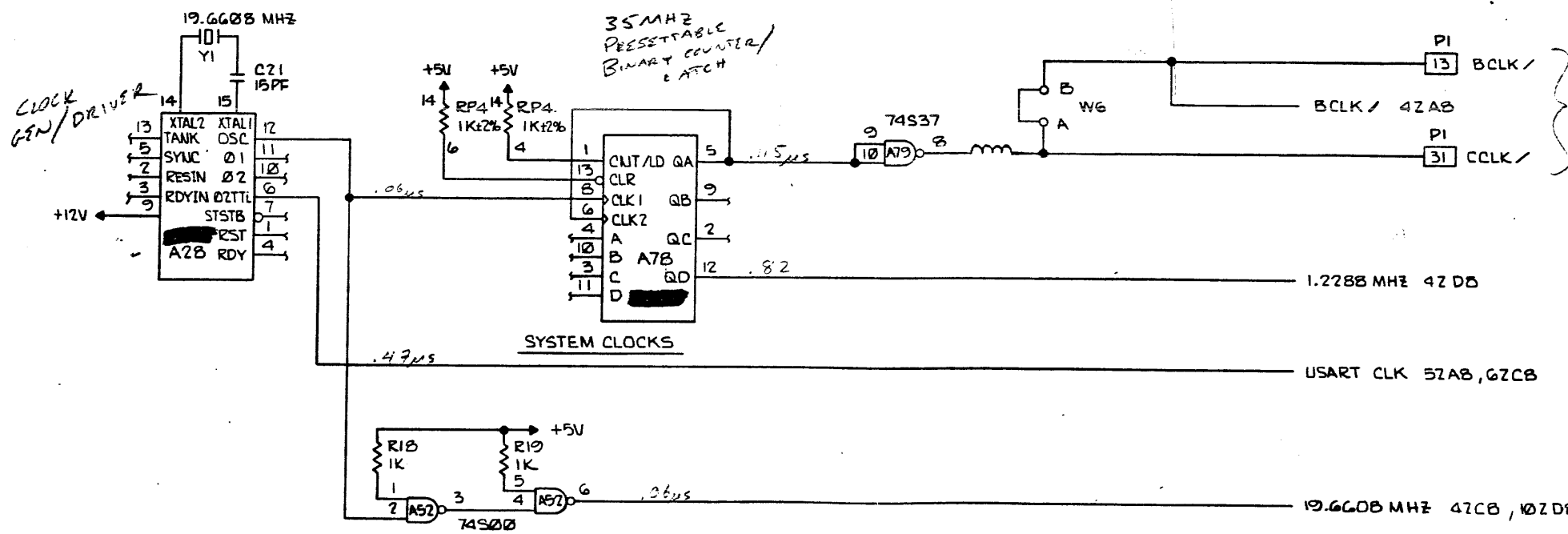
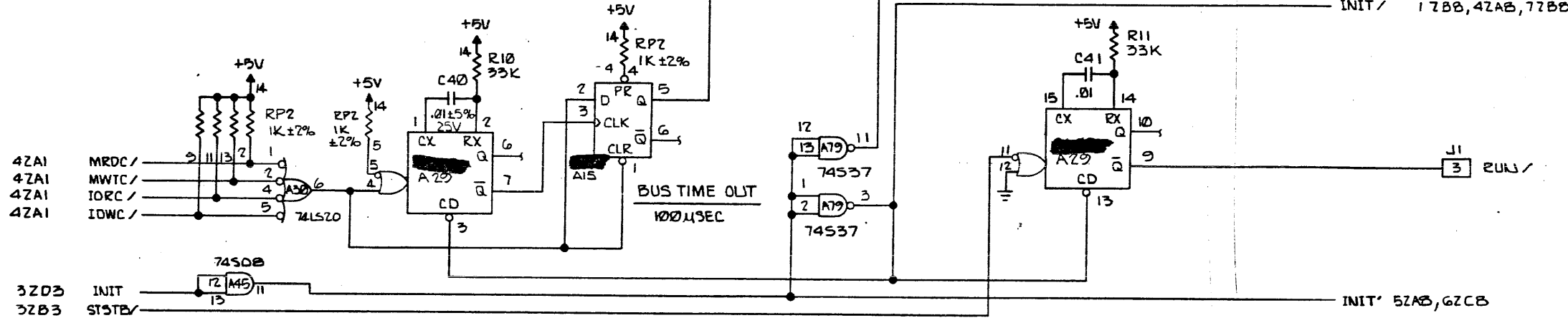
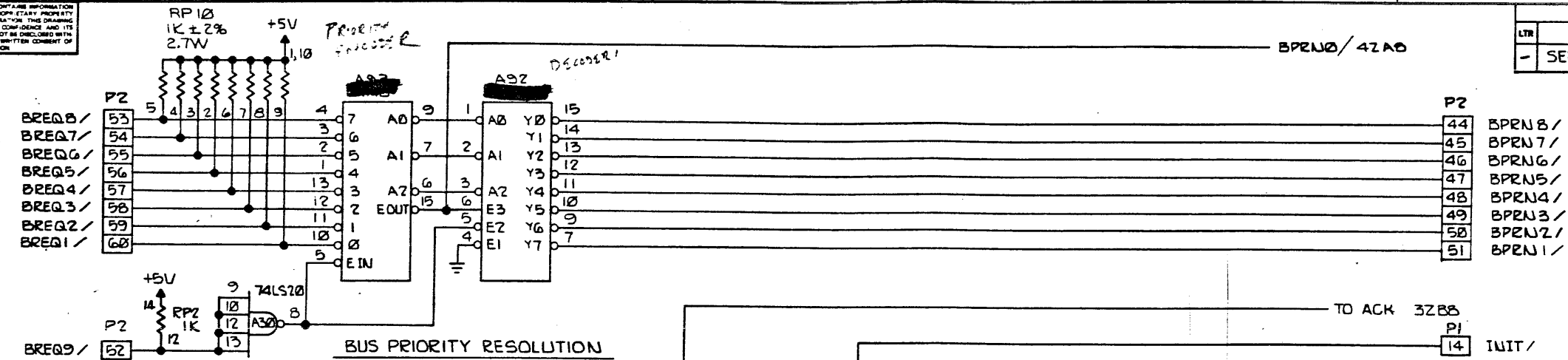
SIZE DEPT DRAWING NO. REV
 D MCD E7001196 15

SHEET 1 OF 10

8 7 6 5 4 3 2 1

THIS DRAWING CONTAINS INFORMATION WHICH IS THE PROPRIETARY PROPERTY OF INTEL CORPORATION. THE DRAWING IS RECEIVED IN CONFIDENCE AND ITS CONTENTS MAY NOT BE DISCLOSED WITHOUT THE PRIOR WRITTEN CONSENT OF INTEL CORPORATION.

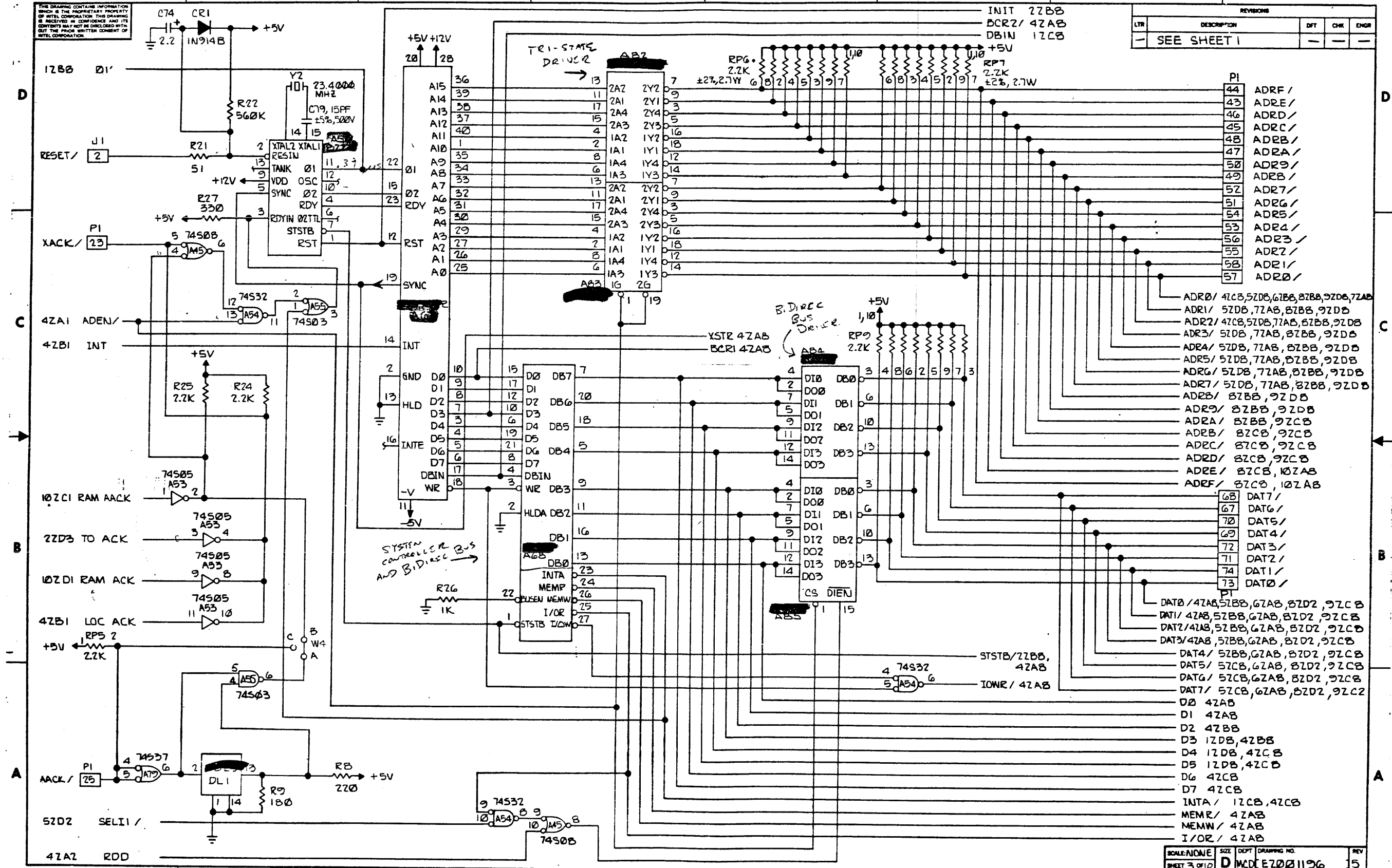
REVISIONS				
LTR	DESCRIPTION	DFT	CHK	ENGR
-	SEE SHEET 1	-	-	-



SCALE: NONE	SIZE: D	DEPT: WCD	DRAWING NO: E2001196	REV: 5
SHEET 2 OF 10				

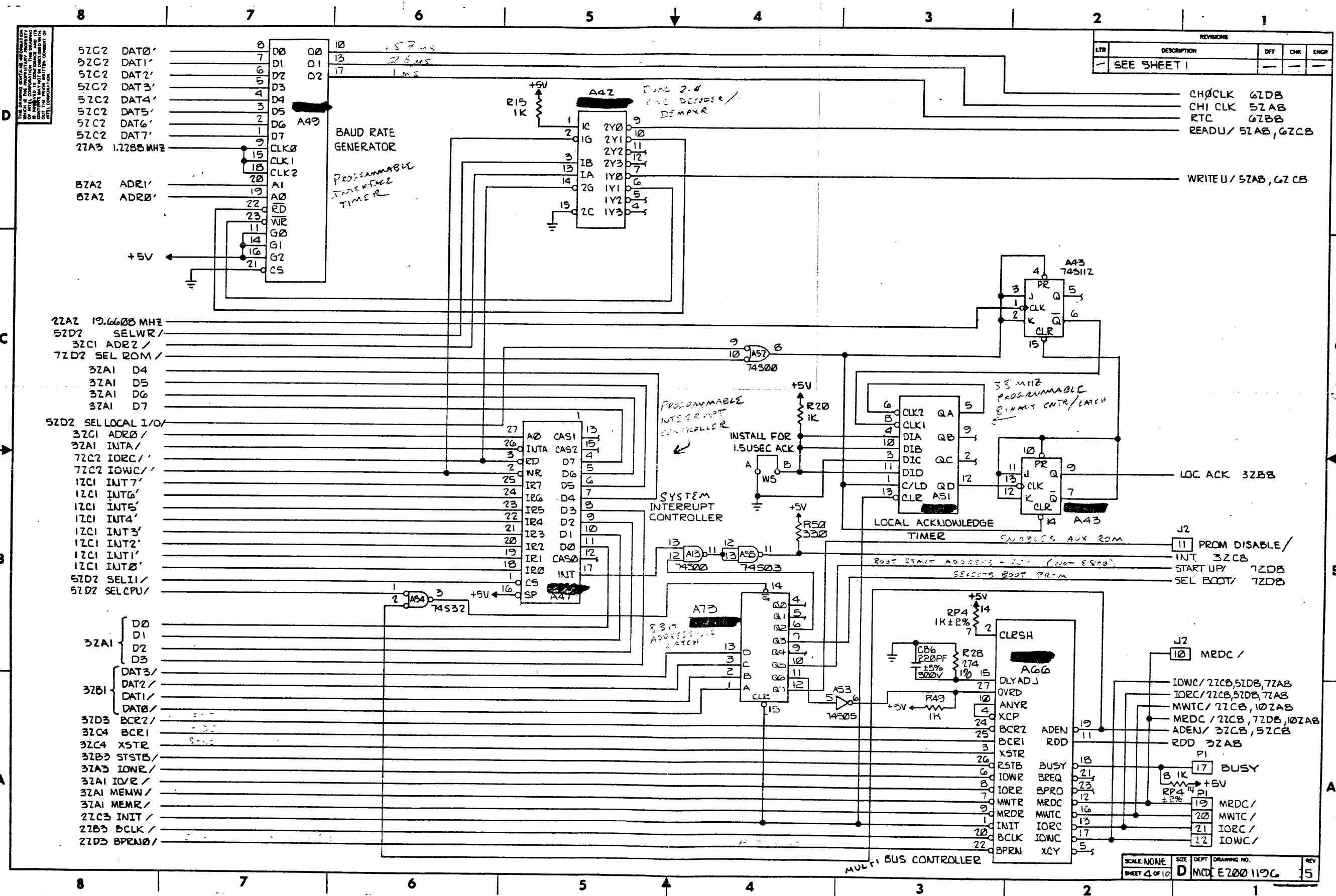
THIS DRAWING CONTAINS INFORMATION WHICH IS THE PROPRIETARY PROPERTY OF INTEL CORPORATION. THIS DRAWING IS RECEIVED IN CONFIDENCE AND ITS CONTENTS MAY NOT BE DISCLOSED WITH- OUT THE PRIOR WRITTEN CONSENT OF INTEL CORPORATION.

REVISIONS			
LTR	DESCRIPTION	DFT	CHK
-	SEE SHEET 1	-	-



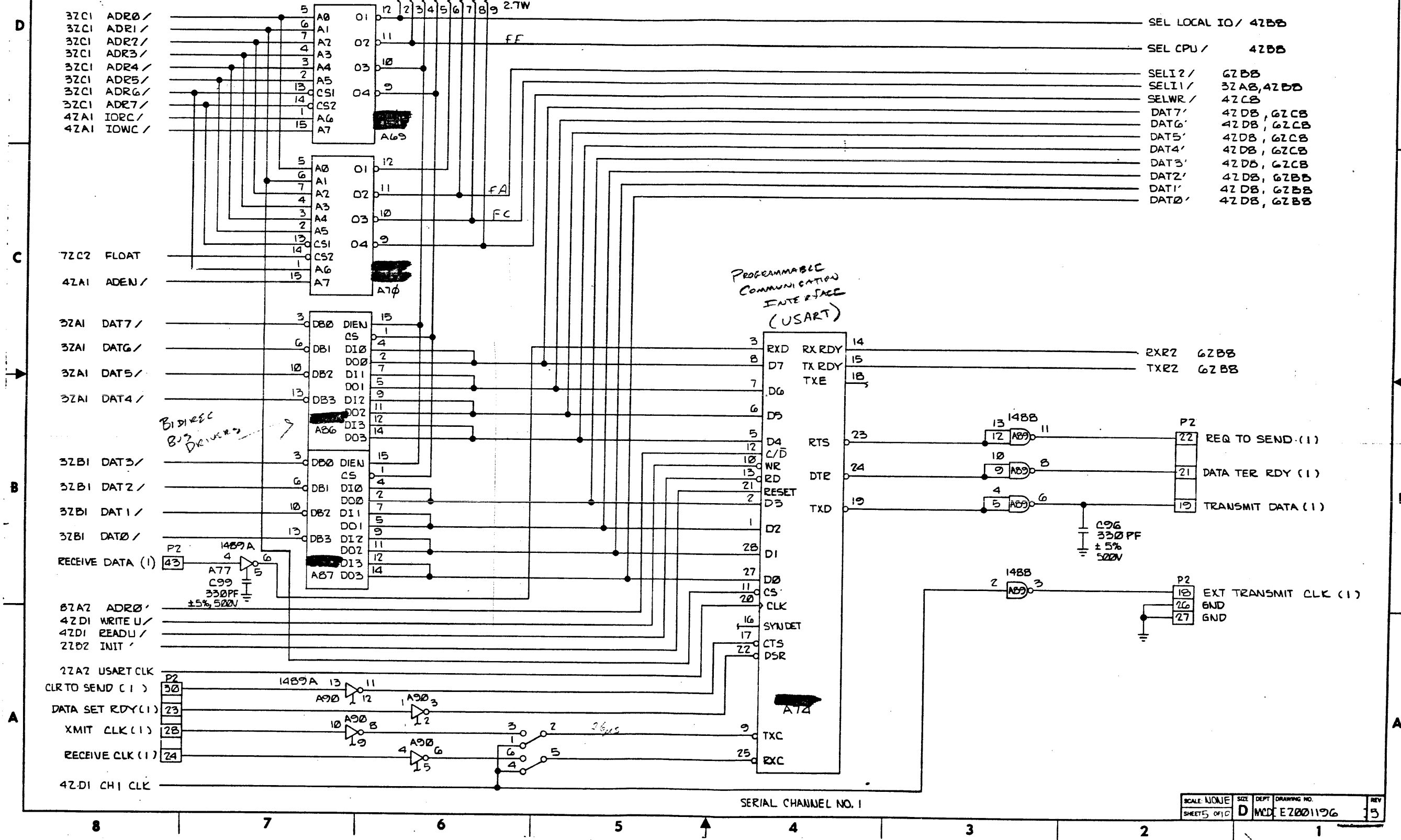
PI	ADR0 /
44	ADR1 /
43	ADR2 /
46	ADR3 /
45	ADR4 /
48	ADR5 /
47	ADR6 /
50	ADR7 /
49	ADR8 /
52	ADR9 /
51	ADR10 /
54	ADR11 /
53	ADR12 /
56	ADR13 /
55	ADR14 /
58	ADR15 /
57	ADR16 /
ADR0 / 41CB, 52DB, 67BB, 87BB, 92DB, 72AB	
ADR1 / 52DB, 72AB, 87BB, 92DB	
ADR2 / 47CB, 52DB, 71AB, 87BB, 92DB	
ADR3 / 52DB, 72AB, 87BB, 92DB	
ADR4 / 52DB, 72AB, 87BB, 92DB	
ADR5 / 52DB, 72AB, 87BB, 92DB	
ADR6 / 52DB, 72AB, 87BB, 92DB	
ADR7 / 52DB, 72AB, 87BB, 92DB	
ADR8 / 87BB, 92DB	
ADR9 / 87BB, 92DB	
ADR10 / 87BB, 92CB	
ADR11 / 87CB, 92CB	
ADR12 / 87CB, 92CB	
ADR13 / 87CB, 92CB	
ADR14 / 87CB, 102AB	
ADR15 / 87CB, 102AB	
68	DAT7 /
67	DAT6 /
70	DAT5 /
69	DAT4 /
72	DAT3 /
71	DAT2 /
74	DAT1 /
73	DAT0 /
DAT0 / 47AB, 52BB, 67AB, 87D2, 92CB	
DAT1 / 47AB, 52BB, 67AB, 87D2, 92CB	
DAT2 / 47AB, 52BB, 67AB, 87D2, 92CB	
DAT3 / 47AB, 52BB, 67AB, 87D2, 92CB	
DAT4 / 52BB, 67AB, 87D2, 92CB	
DAT5 / 52CB, 67AB, 87D2, 92CB	
DAT6 / 52CB, 67AB, 87D2, 92CB	
DAT7 / 52CB, 67AB, 87D2, 92CB	
D0 42AB	
D1 42AB	
D2 42BB	
D3 12DB, 42BB	
D4 12DB, 42CB	
D5 12DB, 42CB	
D6 42CB	
D7 42CB	
INTA / 12CB, 42CB	
MEMR / 42AB	
MEMW / 42AB	
I/OR / 42AB	

SCALE: NONE	SIZE: D	DEPT: MCD	DRAWING NO: E2001196	REV: 5
SHEET 3 OF 10				

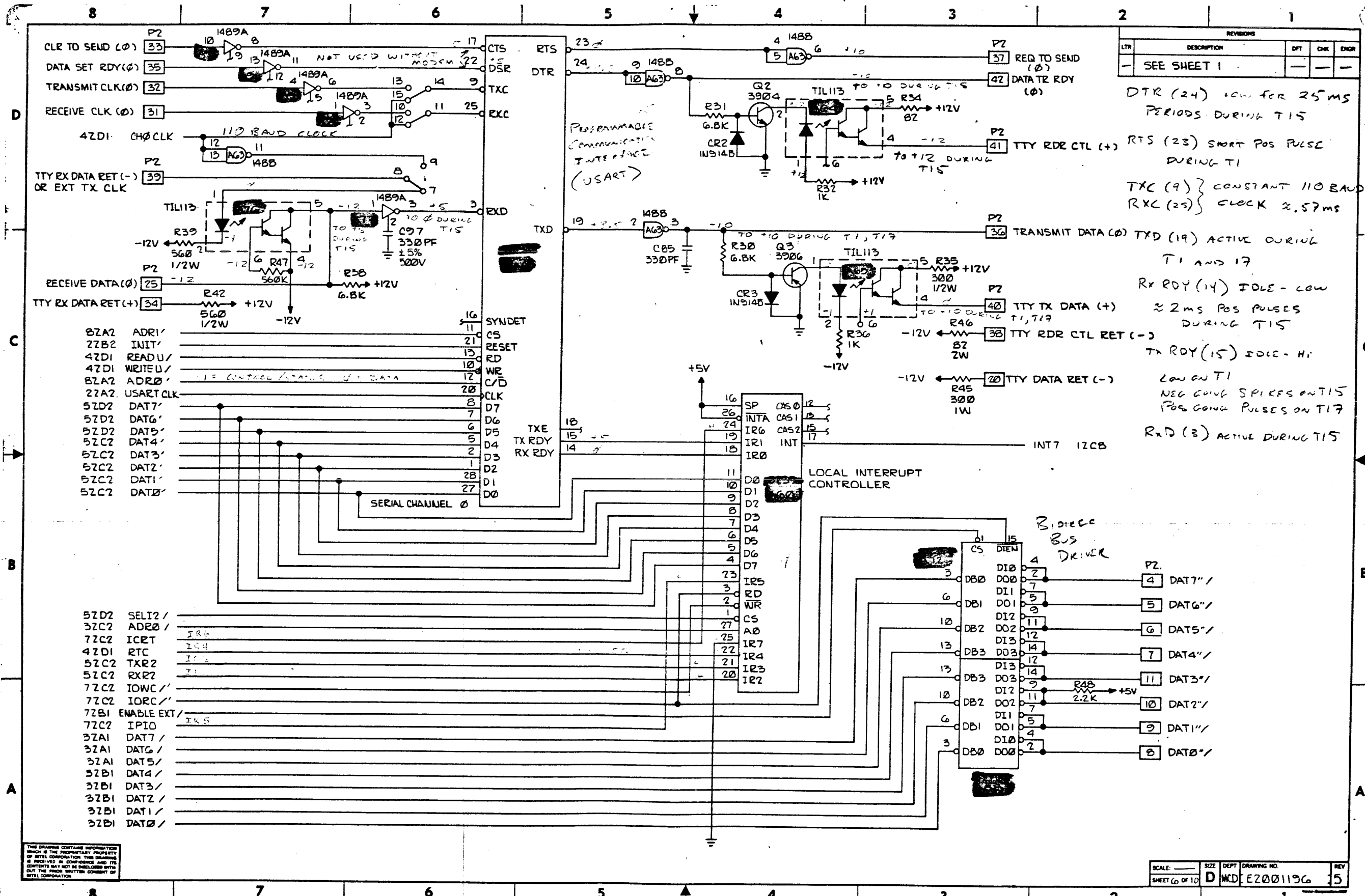


THE DRAWING CONTAINS INFORMATION WHICH IS THE PROPRIETARY PROPERTY OF INTEL CORPORATION. THE DRAWING IS REVEALED IN CONFIDENCE AND ITS CONTENTS MAY NOT BE DISCLOSED WITH-OUT THE PRIOR WRITTEN CONSENT OF INTEL CORPORATION.

REVISIONS				
LTR	DESCRIPTION	DFT	CHK	ENGR
-	SEE SHEET 1	-	-	-

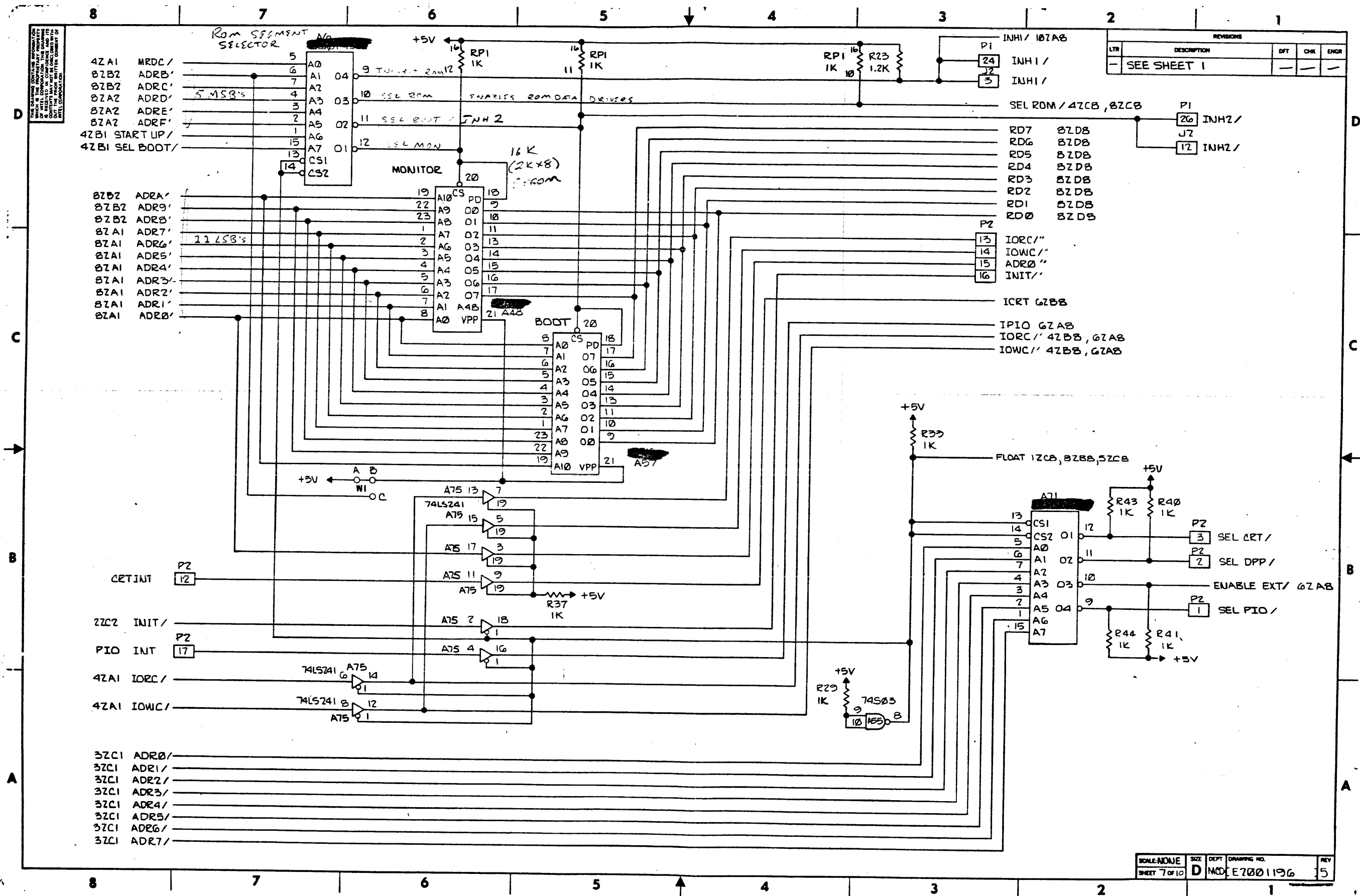


SCALE	SIZE	DEPT	DRAWING NO.	REV
NONE	D	MCD	E7001196	5



THIS DRAWING CONTAINS INFORMATION WHICH IS THE PROPRIETARY PROPERTY OF INTEL CORPORATION. THIS DRAWING IS RECEIVED IN CONFIDENCE AND ITS CONTENTS MAY NOT BE DISCLOSED WITHOUT THE PRIOR WRITTEN CONSENT OF INTEL CORPORATION.

SCALE: — SIZE: D DEPT: WCD DRAWING NO: E2001196 REV: 5 SHEET 6 OF 10



REVISIONS				
LTR	DESCRIPTION	DFT	CHK	ENGR
-	SEE SHEET 1	-	-	-

SCALE: NONE	SIZE: D	DEPT: MCD	DRAWING NO.: E7001196	REV: 5
SHEET 7 OF 10				

8 7 6 5 4 3 2 1

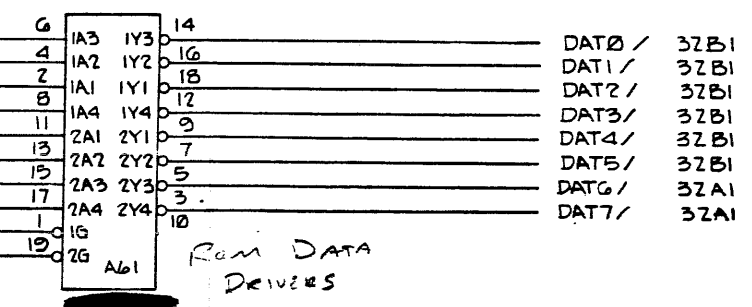
THE DRAWING CONTAINS INFORMATION WHICH IS THE PROPERTY OF INTELLECTUAL PROPERTY RIGHTS AND IS TO BE KEPT CONFIDENTIAL AND NOT TO BE REPRODUCED OR COPIED WITHOUT THE WRITTEN CONSENT OF INTEL CORPORATION.

77D2 RD7
77D2 RD6
77D2 RD5
77D2 RD4
77D2 RD3
77D2 RD2
77D2 RD1
77D2 RD0

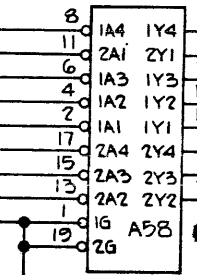
J2
RD0 24
RD1 25
RD2 26
RD3 27
RD4 28
RD5 29
RD6 30
RD7 31
SEL ROM/ 32
77D2 SEL ROM/

REVISIONS			
LTR	DESCRIPTION	DFT	ENGR
-	SEE SHEET 1	-	-

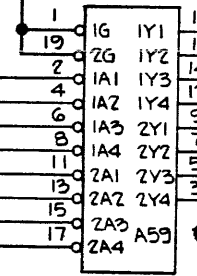
TRI-STATE
LINE DRIVER



32B1 ADRF /
32B1 ADRE /
32B1 ADDR /
32B1 ADRC /
32B1 ADRA /
32C1 ADR7 /
32C1 ADR6 /
32C1 ADR5 /
32C1 ADR4 /
32C1 ADR3 /
32C1 ADR2 /
32C1 ADR1 /
32C1 ADR0 /
77D2 FLOAT



32C1 ADR7 /
32C1 ADR6 /
32C1 ADR5 /
32C1 ADR4 /
32C1 ADR3 /
32C1 ADR2 /
32C1 ADR1 /
32C1 ADR0 /

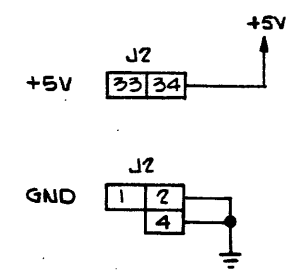


J2
9 ADRF'
8 ADRE'
7 ADDR'
6 ADRC'
5 ADRA'
23 ADR7'
22 ADR6'
21 ADR5'

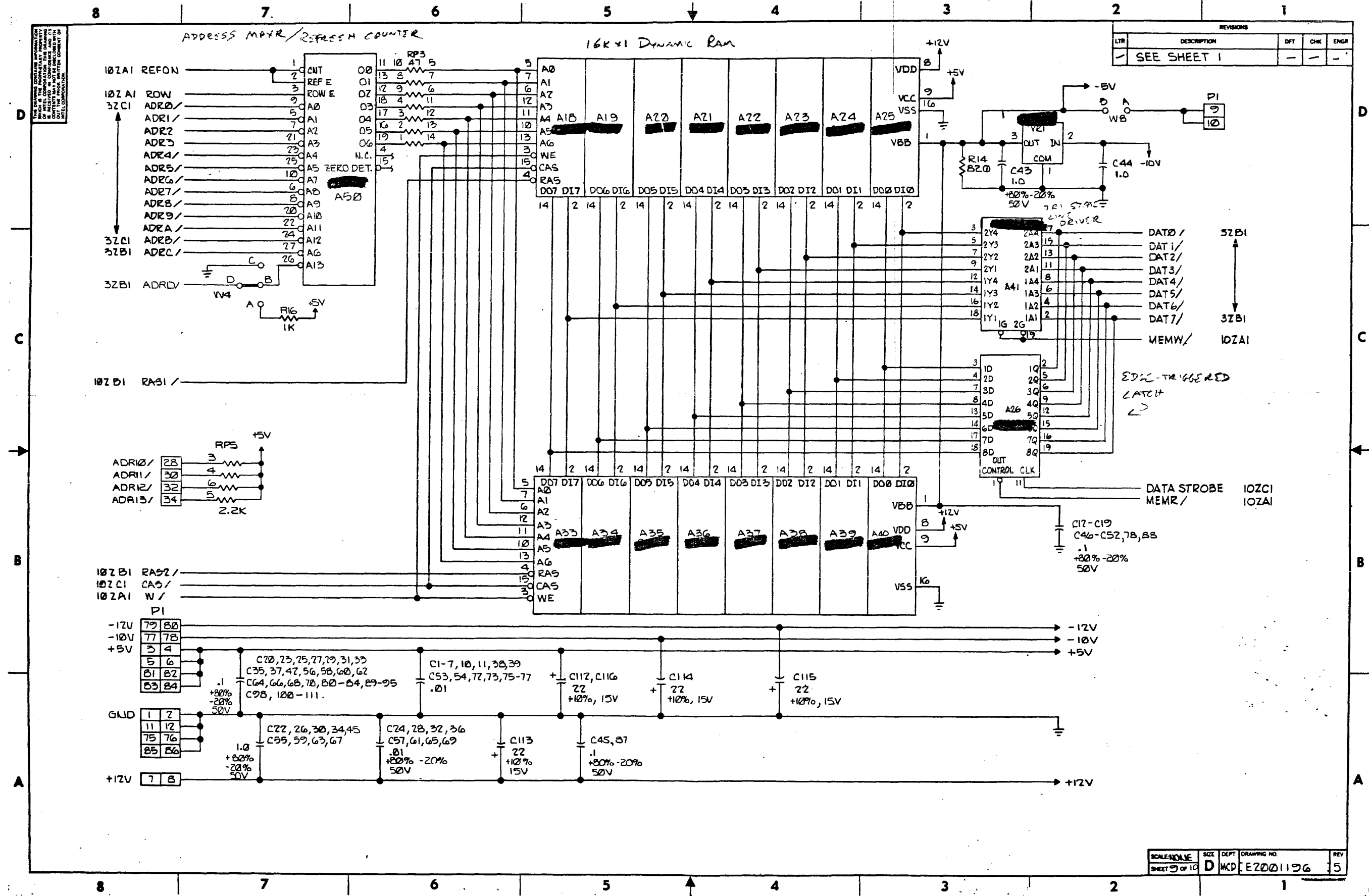
ADR8' 77DB
ADR9' 77DB
ADRA' 77CB
ADRB' 77DB
ADRC' 77DB

J2
20 ADR7'
19 ADR6'
18 ADR5'
17 ADR4'
16 ADR3'
15 ADR2'
14 ADR1'
13 ADR0'

ADR0' 77DB, 10ZB8
ADRE' 77DB, 10ZB8
ADRF' 77DB, 10ZAB8
ADR0' 47DB, 57AB, 67CB, 77CB
ADR1' 47DB, 67CB, 77CB
ADR2' 77CB
ADR3' 77CB
ADR4' 77CB
ADR5' 77CB
ADR6' 77CB
ADR7' 77CB



SCALE: NONE	SIZE: D	DEPT: MCD	DRAWING NO: E2801196	REV: 5
SHEET 3 OF 10				

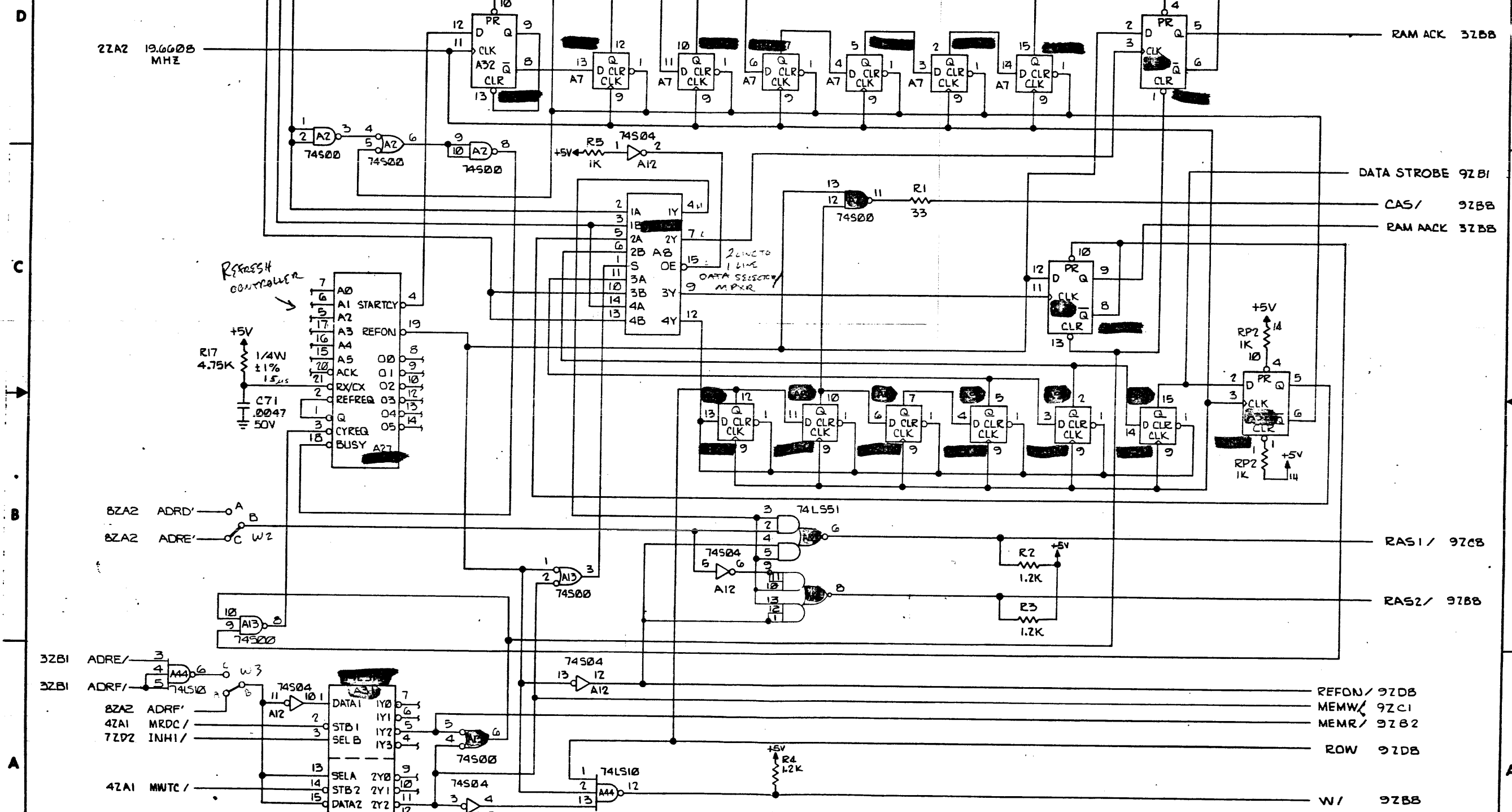


REVISIONS			
LTR	DESCRIPTION	DFT	CHK
-	SEE SHEET 1	-	-

SCALE-NONE	SIZE	DEPT	DRAWING NO.	REV
SHEET 3 OF 10	D	MCD	E2001196	5

THIS DRAWING CONTAINS INFORMATION WHICH IS THE PROPRIETARY PROPERTY OF INTEL CORPORATION. THE DRAWING IS REPRODUCED IN CONFIDENCE AND ITS CONTENTS MAY NOT BE DISCLOSED WITH OUT THE PRIOR WRITTEN CONSENT OF INTEL CORPORATION.

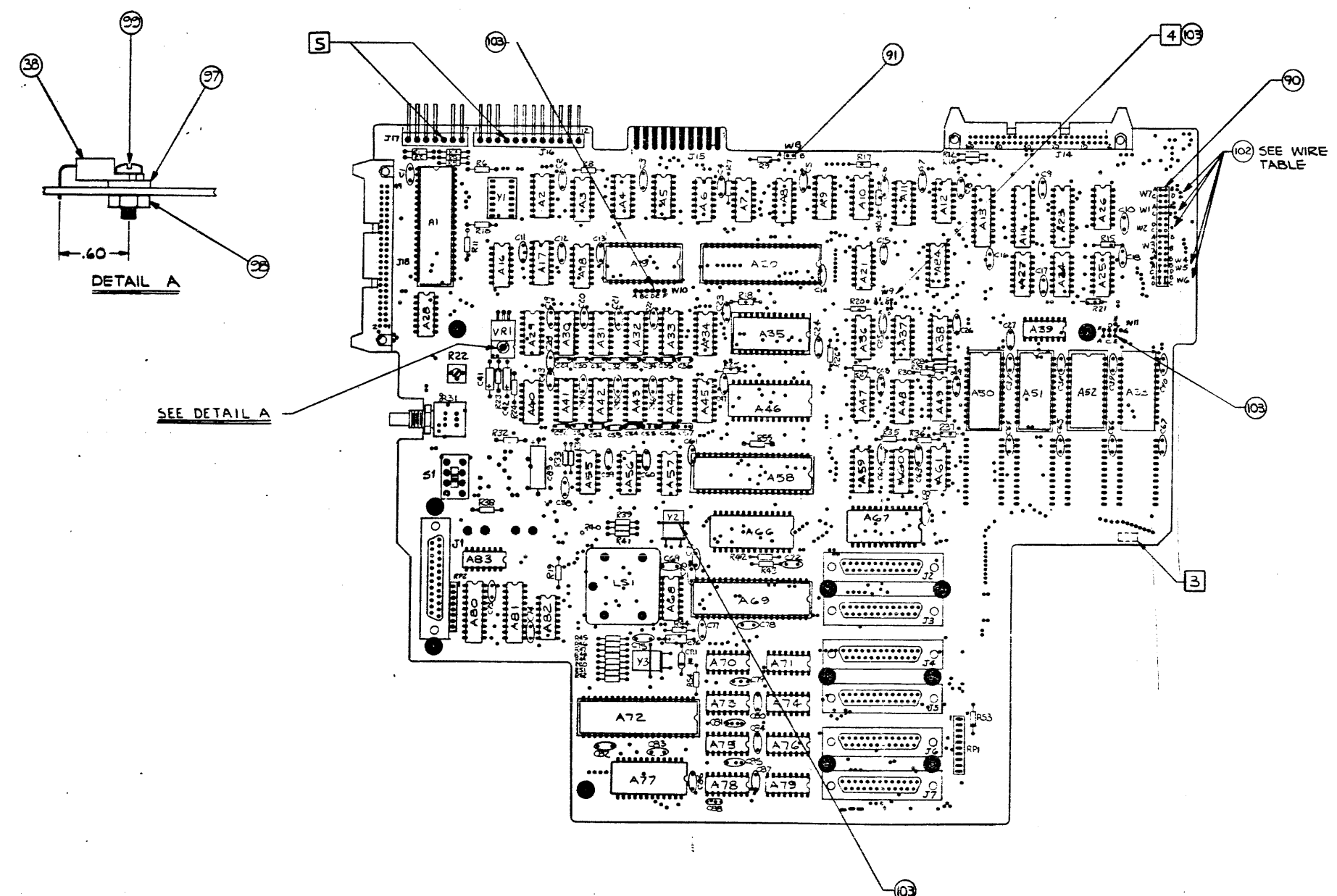
REVISIONS				
LTR	DESCRIPTION	DFT	CHK	ENGR
-	SEE SHEET 1	-	-	-



RAM TIMING AND REFRESH CONTROL

SCALE: NONE	SIZE: D	DEPT: MCD	DRAWING NO: E2001196	REV: 5
SHEET 10 OF 10				

THE MANUFACTURER ASSUMES NO LIABILITY FOR THE REPRODUCTION OF THIS DRAWING IN ANY MANNER. THE DRAWING IS SUBJECT TO CHANGE WITHOUT NOTICE AND WITHOUT OBLIGATION TO THE USER. THE USER SHALL BE RESPONSIBLE FOR THE PROPER INTERPRETATION OF THE DRAWING.

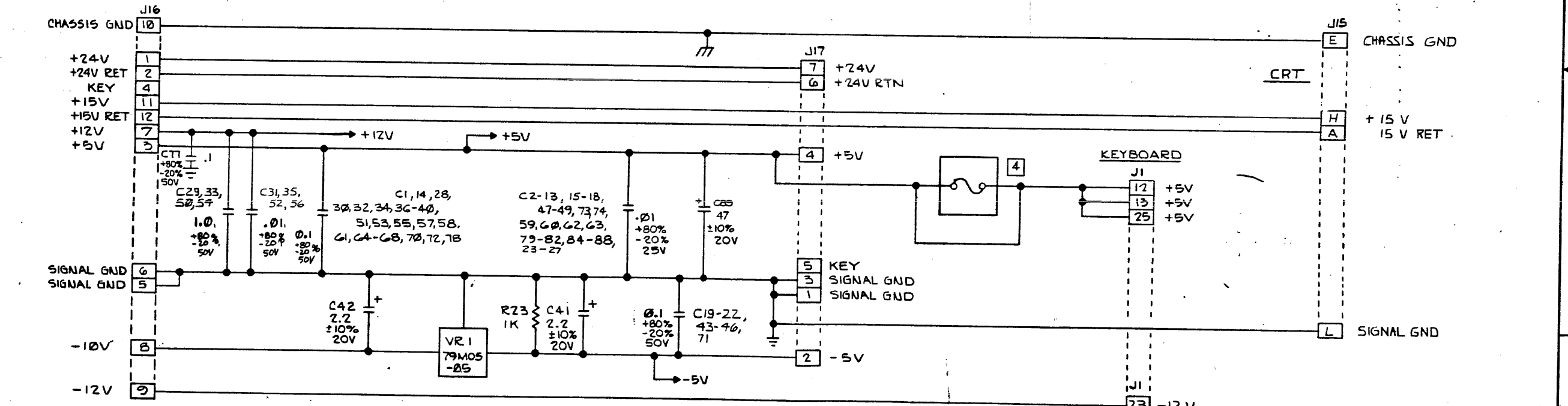
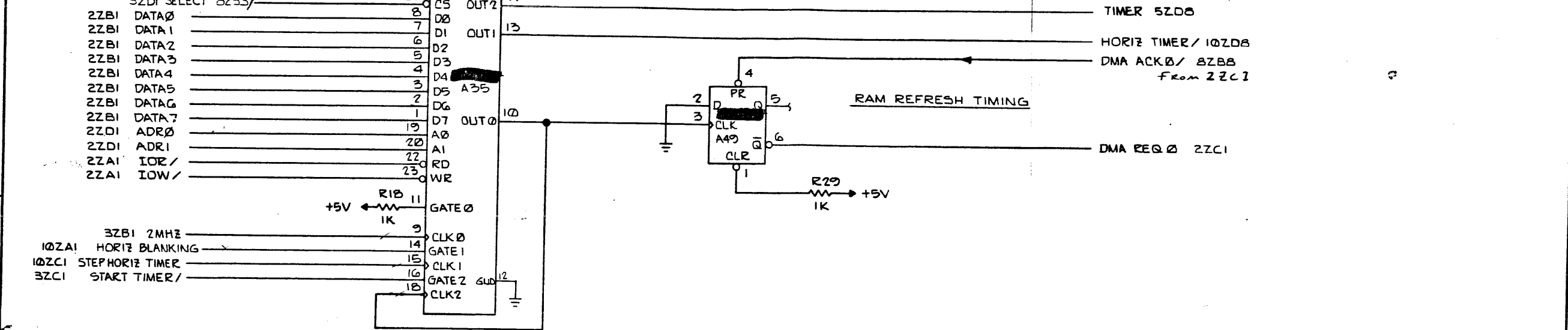


- 5 CONNECTOR PINS, J17-5 AND J16-4, ARE TO BE CUT OFF FOR KEYING.
 - 4 JUMPER W9--2108 DEVICE TYPE A6H (S1627) CAN BE SUBSTITUTED FOR P/L ITEM NO. 16 IF JUMPER W9B-W9E IS DELETED, AND W9B-W9A IS ADDED.
 - 3 MARK DASH NO. AND REV LEVEL WITH CONTRASTING PERM COLOR, .12 HIGH, WHERE SHOWN.
2. WORKMANSHIP PER MCD QAW 007.
 1. ASSY PART NO. IS 1001241-04.
- NOTE: UNLESS OTHERWISE SPECIFIED,

intel		3065 BOWERS AVE. SANTA CLARA CALIF. 95051	
		TITLE PRINTED WIRING ASSEMBLY I/O CONTROLLER	
SIZE	DEPT	DRAWING NO	REV
D	MCSD	E 1001241	18

SHEET 1 OF 1

THIS DRAWING CONTAINS INFORMATION WHICH IS THE PROPRIETARY PROPERTY OF INTEL CORPORATION. THIS DRAWING IS REPRODUCED IN CONFIDENCE AND ITS CONTENTS MAY NOT BE DISCLOSED WITH-OUT THE PRIOR WRITTEN CONSENT OF INTEL CORPORATION.



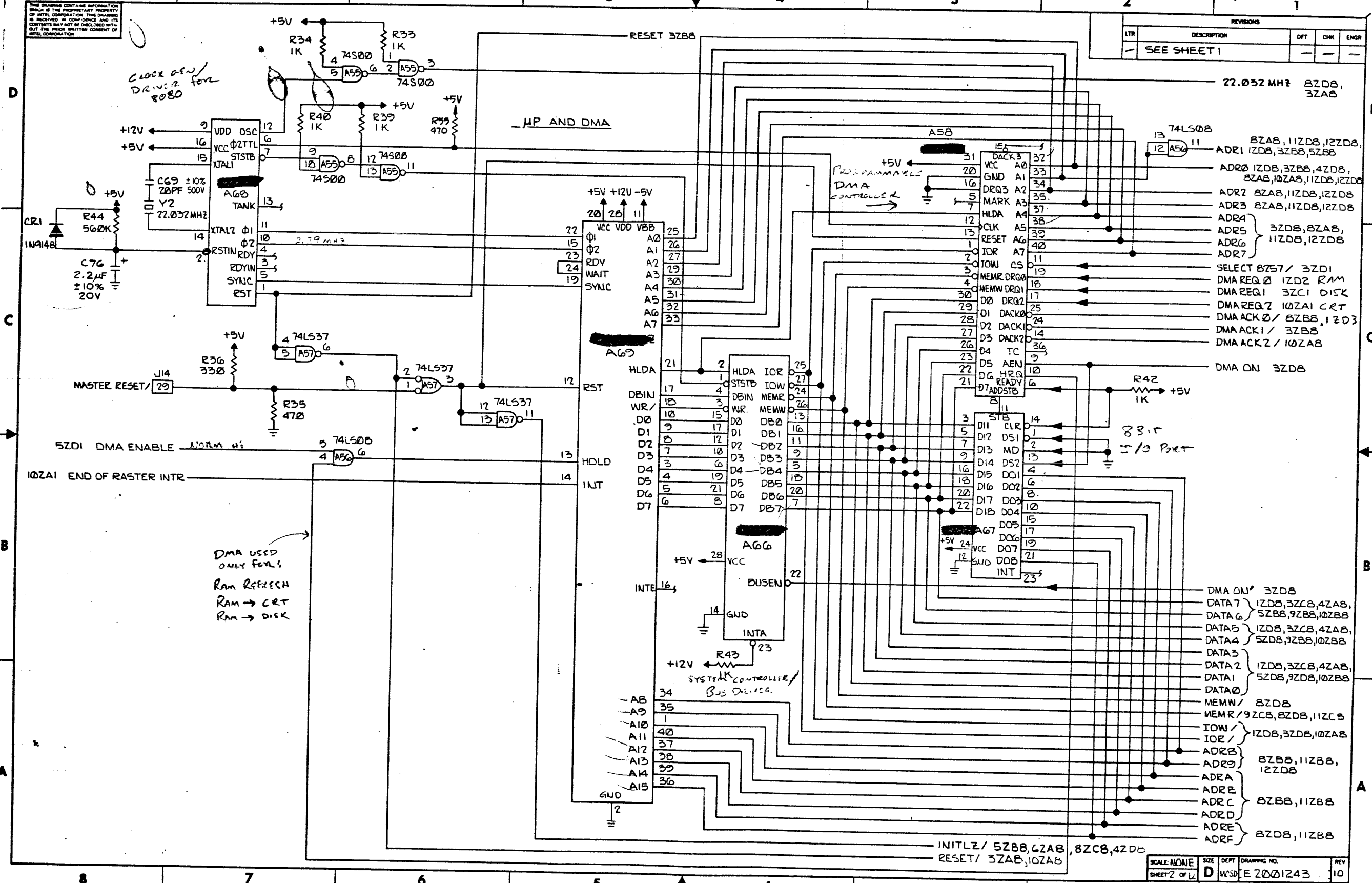
- NOTES: UNLESS OTHERWISE SPECIFIED.
1. RESISTANCE VALUES ARE IN OHMS, 1/4W, ±5%.
 2. CAPACITANCE VALUES ARE IN MICROFARADS, 0.1UF, ±5%.
 3. OPTIONAL FUSE REQUIRES DELETION OF PARALLEL TRACE.
 4. UNNOTED IC'S VOLT & GND PIN ARE 14 OR 16 & 7 OR 8 RESPECTIVELY.

intel		3065 BOWERS AVE. SANTA CLARA CALIF. 95051	
TITLE SCHEMATIC I/O CONTROLLER			
SIZE D	DEPT MCSP	DRAWING NO. E2001243	REV 10

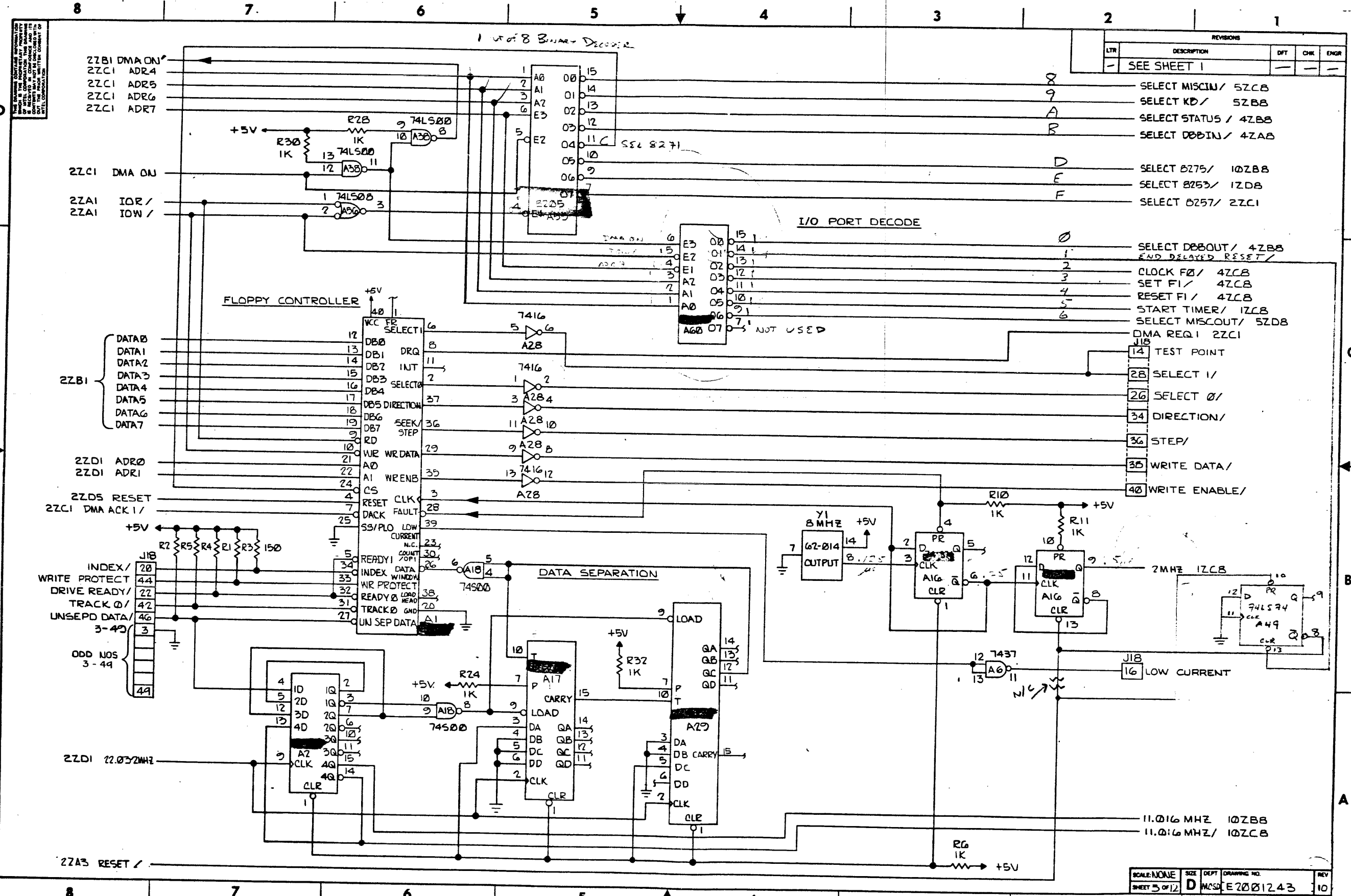
SHEET 1 OF 12

THIS DRAWING CONTAINS INFORMATION WHICH IS THE PROPRIETARY PROPERTY OF INTEL CORPORATION. THE DRAWING IS ISSUED IN CONFIDENCE AND ITS CONTENTS MAY NOT BE DISCLOSED WITHOUT THE PRIOR WRITTEN CONSENT OF INTEL CORPORATION.

REVISIONS			
LTR	DESCRIPTION	DFT	CHK
-	SEE SHEET 1	-	-



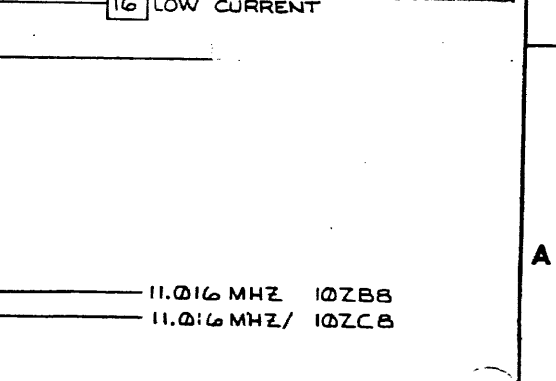
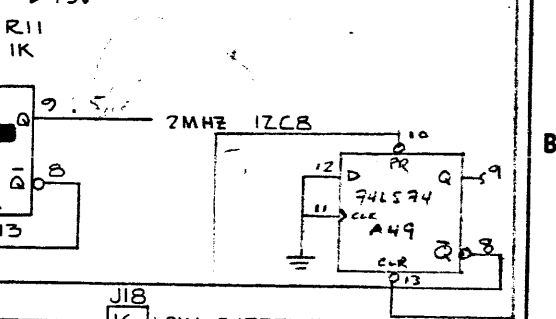
SCALE: NONE	SIZE: D	DEPT: M/S/D	DRAWING NO: E 2001243	REV: 10
SHEET 2 OF 2				



REVISIONS				
LTR	DESCRIPTION	DFT	CHK	ENGR
-	SEE SHEET 1	-	-	-

SELECT	DESCRIPTION
8	SELECT MISCIN/ 5ZCB
9	SELECT KD/ 5ZBB
A	SELECT STATUS/ 4ZBB
B	SELECT DBBIN/ 4ZAB
D	SELECT 0275/ 10ZBB
E	SELECT 0253/ 1ZDB
F	SELECT 0257/ 2ZCI

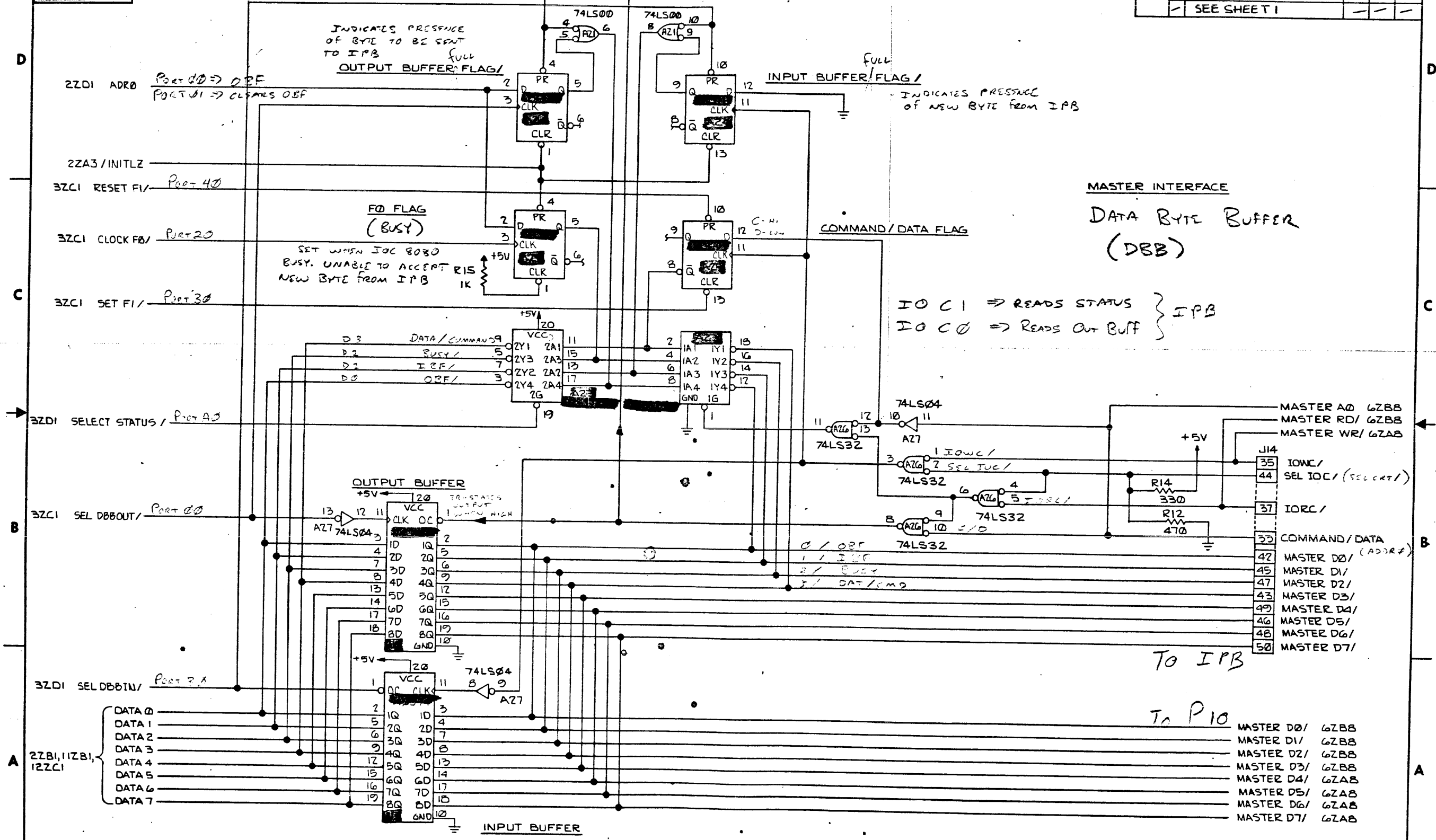
SELECT	DESCRIPTION
0	SELECT DBBOUT/ 4ZBB
1	END DELAYED RESET/
2	CLOCK F0/ 4ZCB
3	SET F1/ 4ZCB
4	RESET F1/ 4ZCB
5	START TIMER/ 1ZCB
6	SELECT MISCOUT/ 5ZDB
7	DMA REQ1 2ZCI
14	TEST POINT
28	SELECT I/
26	SELECT 0/
34	DIRECTION/
36	STEP/
38	WRITE DATA/
40	WRITE ENABLE/



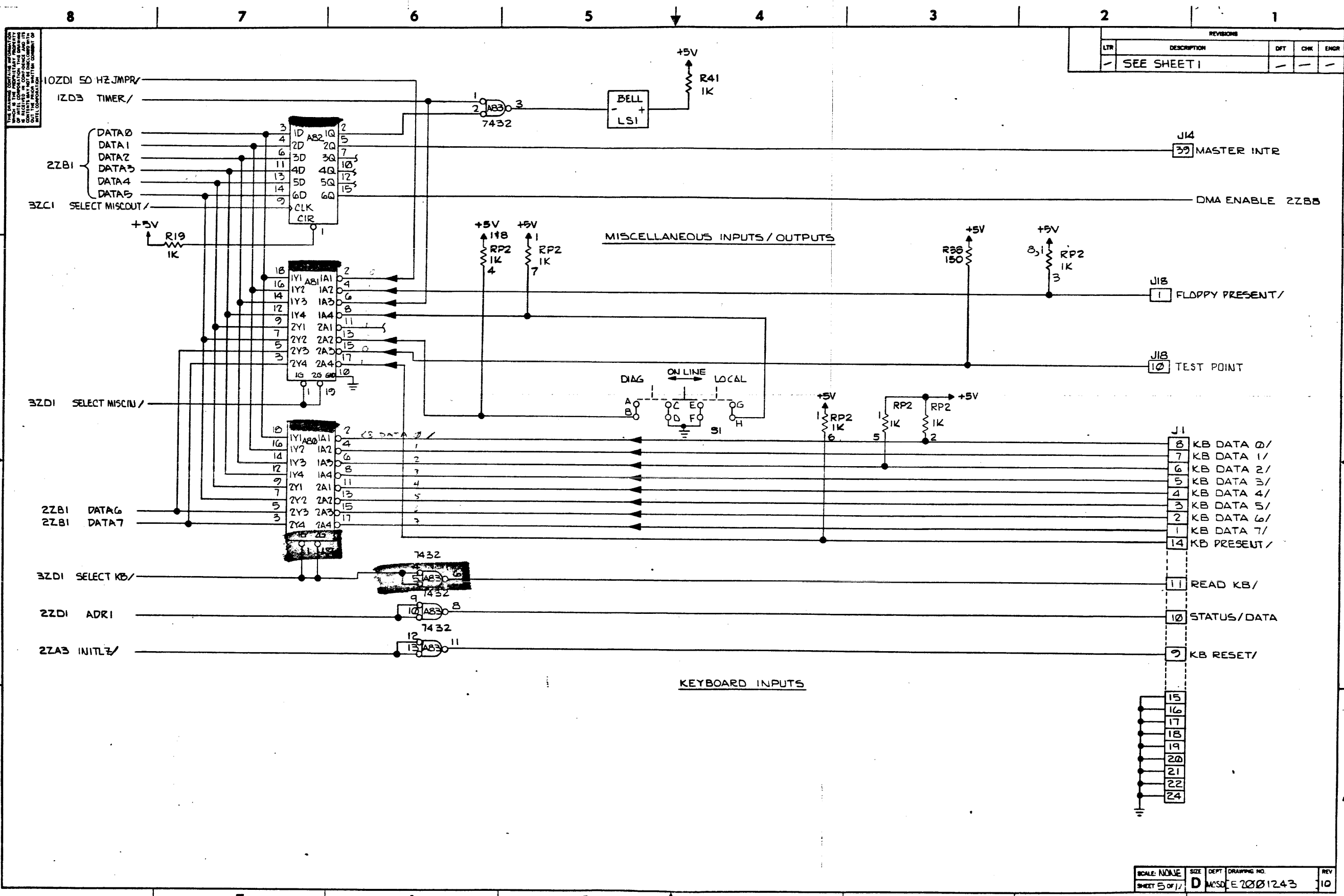
SCALE: NONE	SIZE: D	DEPT: MCS	DRAWING NO: E2081243	REV: 10
SHEET 5 OF 12				

THIS DRAWING CONTAINS INFORMATION WHICH IS THE PROPRIETARY PROPERTY OF INTEL CORPORATION. THIS DRAWING IS RECEIVED IN CONFIDENCE AND ITS CONTENTS MAY NOT BE DISCLOSED WITHOUT THE PRIOR WRITTEN CONSENT OF INTEL CORPORATION.

REVISIONS				
LTR	DESCRIPTION	DFT	CHK	ENGR
-	SEE SHEET 1	-	-	-

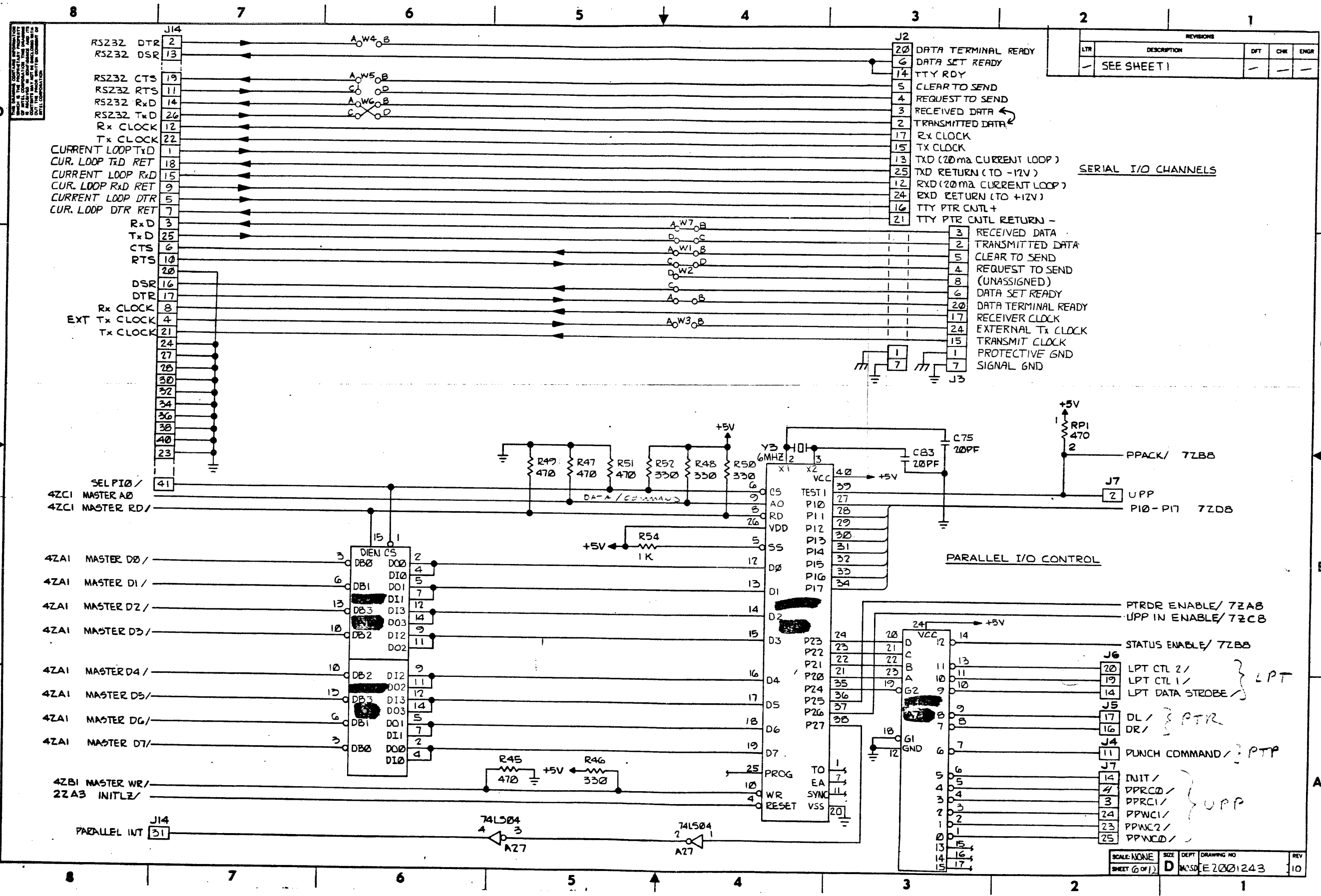


SCALE: NONE	SIZE: D	DEPT: MCS	DRAWING NO: E 2001243	REV: 10
SHEET 4 OF 12				



REVISIONS				
LTR	DESCRIPTION	DFT	CHK	ENGR
-	SEE SHEET 1	-	-	-

SCALE: NONE	SIZE: D	DEPT: MISC	DRAWING NO: E 2001243	REV: 10
SHEET 5 of 11				

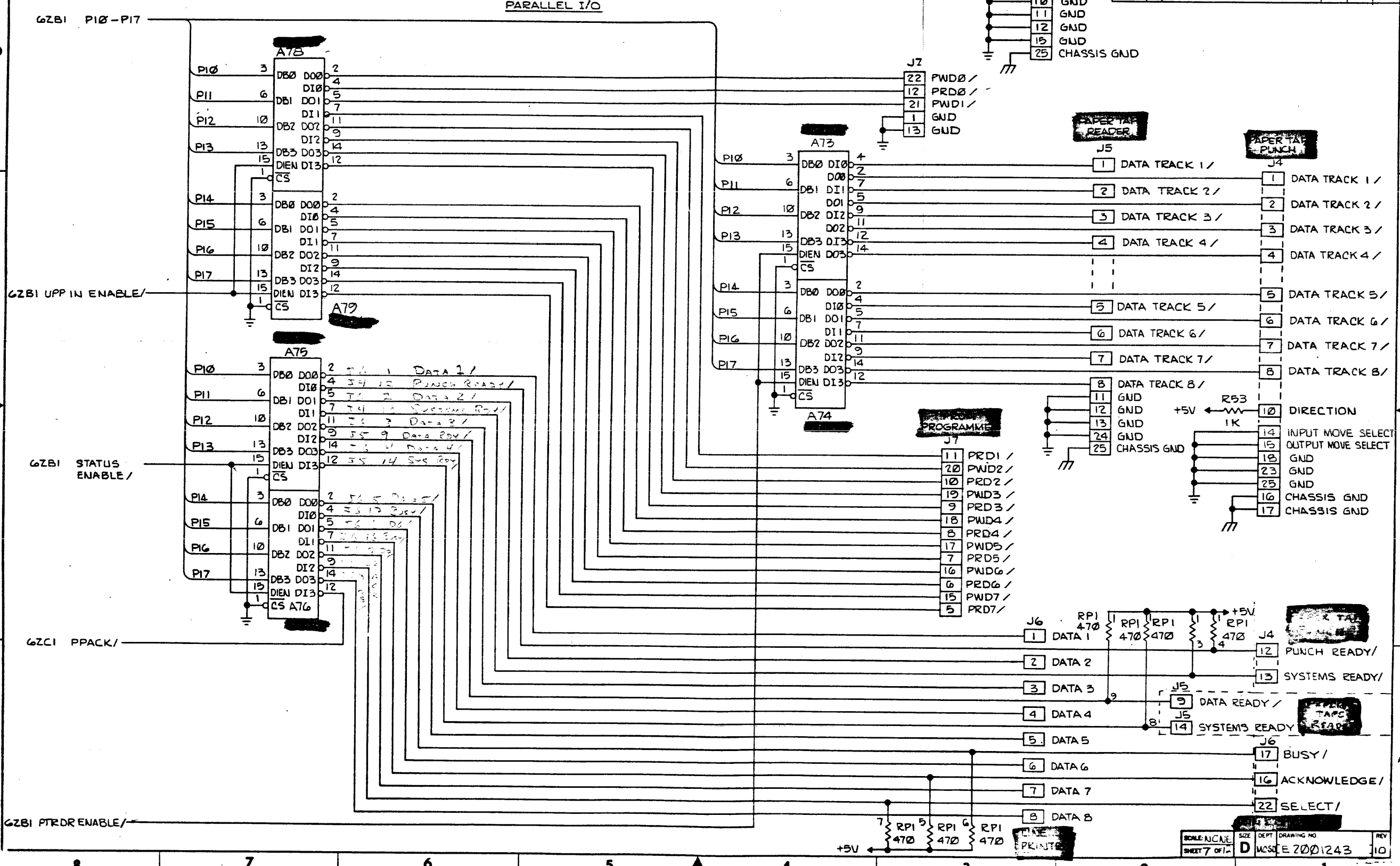


REVISIONS			
LTR	DESCRIPTION	DFT	CHK
-	SEE SHEET 1	-	-

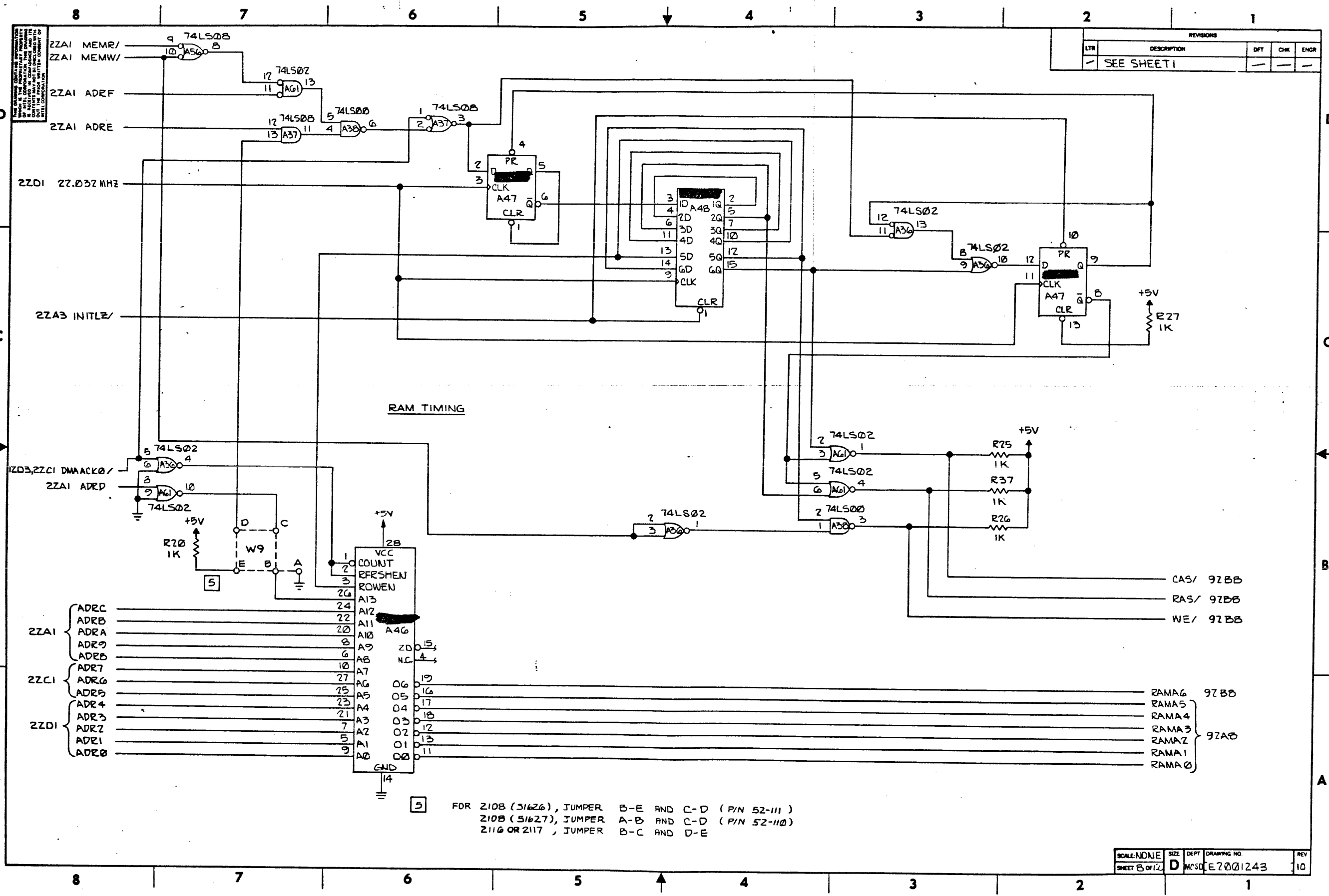
SCALE: NONE	SIZE: D	DEPT: MDCSD	DRAWING NO: E2001243	REV: 10
SHEET 6 OF 12				

THE DRAWING CONTAINS INFORMATION WHICH IS THE PROPRIETARY PROPERTY OF INTEL CORPORATION. THE DRAWING IS REPRODUCED IN CONFIDENCE AND ITS CONTENTS MAY NOT BE DISCLOSED WITHOUT THE PRIOR WRITTEN CONSENT OF INTEL CORPORATION.

REVISIONS			
LTR	DESCRIPTION	DFT	CHK
-	SEE SHEET 1	-	-



SCALE	SIZE	DEPT	DRAWING NO	REV
NONE	D	WCS	E 2001243	10



REVISIONS				
LTR	DESCRIPTION	DFT	CHK	ENGR
-	SEE SHEET 1	-	-	-

RAM TIMING

THIS IS THE PROPERTY OF INTELLECTUAL PROPERTY RIGHTS. IT IS TO BE KEPT IN CONFIDENTIALITY AND NOT TO BE DISCLOSED TO ANY OTHER PARTY WITHOUT THE WRITTEN CONSENT OF INTEL CORPORATION.

- ZZA1 { ADR0
- ADR1
- ADR2
- ADR3
- ADR4
- ADR5
- ADR6
- ADR7
- ADR8
- ADR9
- ADRA
- ADRB
- ADRC

- ZZCI { ADR0
- ADR1
- ADR2
- ADR3
- ADR4
- ADR5
- ADR6
- ADR7
- ADR8
- ADR9
- ADRA
- ADRB
- ADRC

- ZZDI { ADR0
- ADR1
- ADR2
- ADR3
- ADR4
- ADR5
- ADR6
- ADR7
- ADR8
- ADR9
- ADRA
- ADRB
- ADRC

- CAS/ 92BB
- RAS/ 92BB
- WE/ 92BB

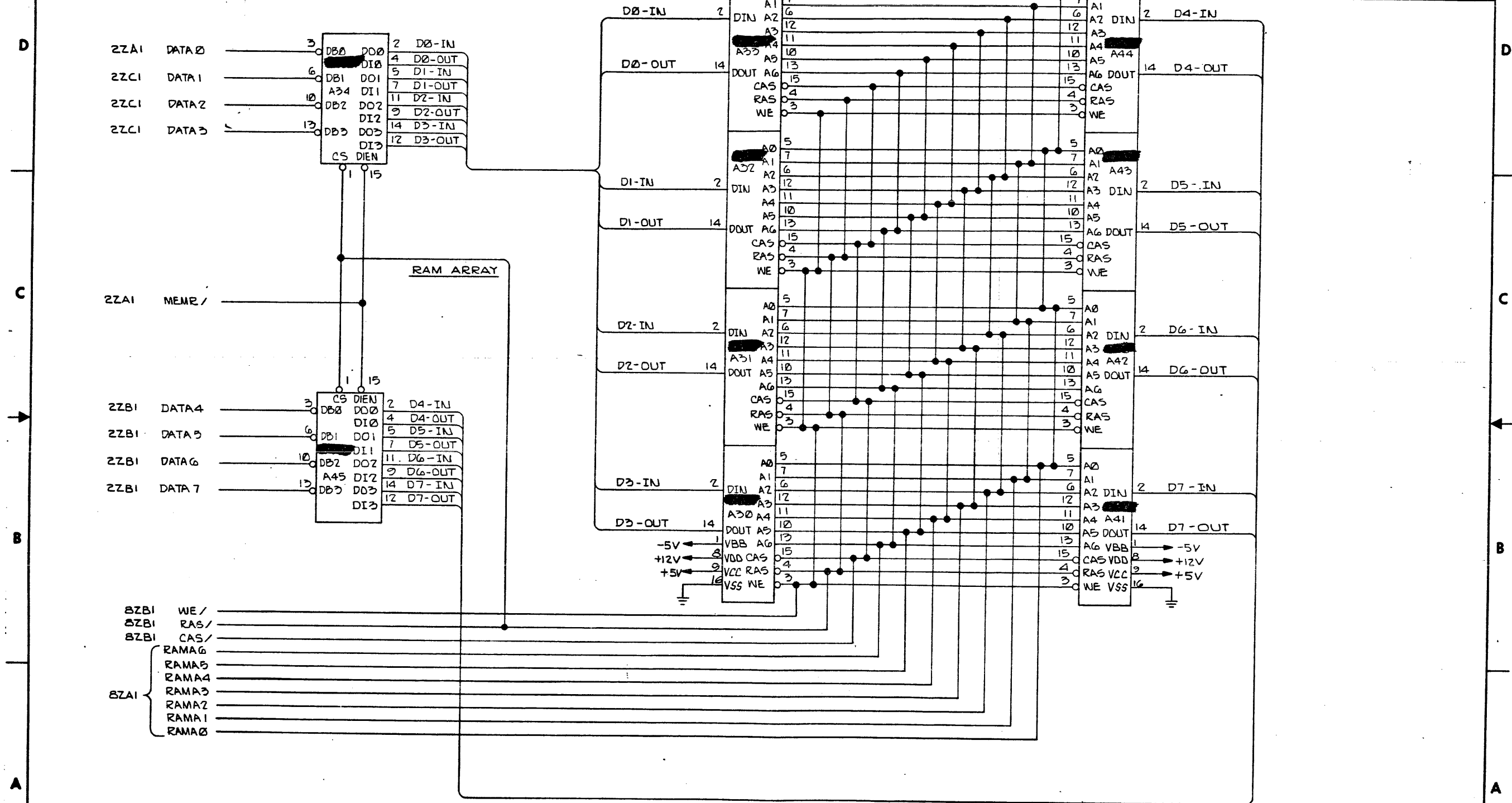
- RAMA6 92BB
- RAMA5
- RAMA4
- RAMA3
- RAMA2
- RAMA1
- RAMA0 92AB

5 FOR Z10B (51626), JUMPER B-E AND C-D (P/N 52-111)
 Z10B (51627), JUMPER A-B AND C-D (P/N 52-110)
 Z116 OR Z117, JUMPER B-C AND D-E

SCALE: NONE	SIZE: D	DEPT: MCSU	DRAWING NO: E7001243	REV: 10
SHEET 8 OF 12				

THIS DRAWING CONTAINS INFORMATION WHICH IS THE PROPRIETARY PROPERTY OF INTEL CORPORATION. THE DRAWING IS RECEIVED IN CONFIDENCE AND ITS CONTENTS MAY NOT BE DISCLOSED WITH-OUT THE PRIOR WRITTEN CONSENT OF INTEL CORPORATION.

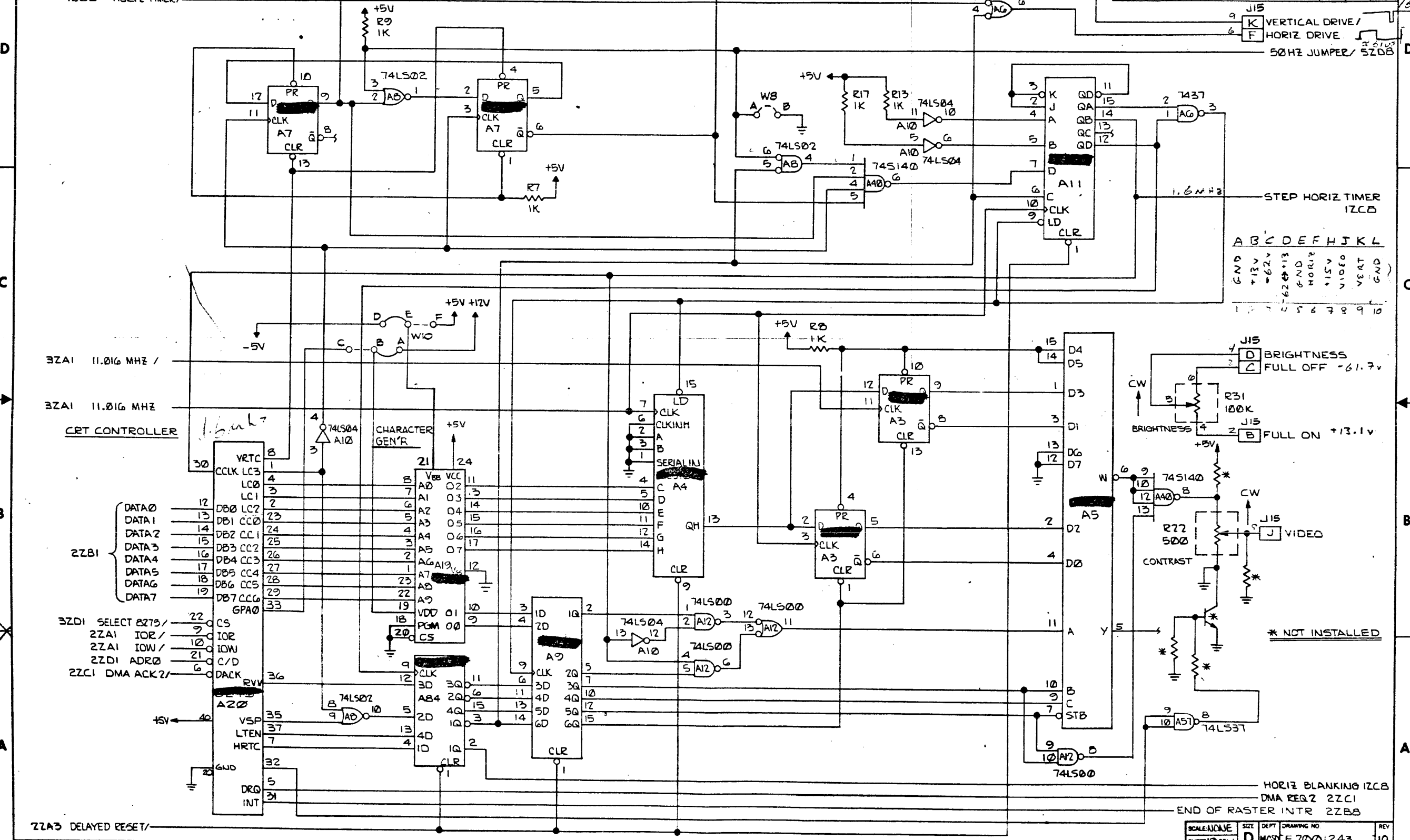
REVISIONS			
LTR	DESCRIPTION	DFT	ENGR
-	SEE SHEET 1	-	-



SCALE: NONE	SIZE: D	DEPT: M/SSD	DRAWING NO. E2001243	REV: 10
SHEET 9 OF 11				

THIS DRAWING CONTAINS INFORMATION WHICH IS THE PROPRIETARY PROPERTY OF INTEL CORPORATION. THIS DRAWING IS RECEIVED IN CONFIDENCE AND ITS CONTENTS MAY NOT BE DISCLOSED WITH-OUT THE PRIOR WRITTEN CONSENT OF INTEL CORPORATION.

REVISIONS				
LTR	DESCRIPTION	DFT	CHK	ENGR
-	SEE SHEET 1	-	-	-



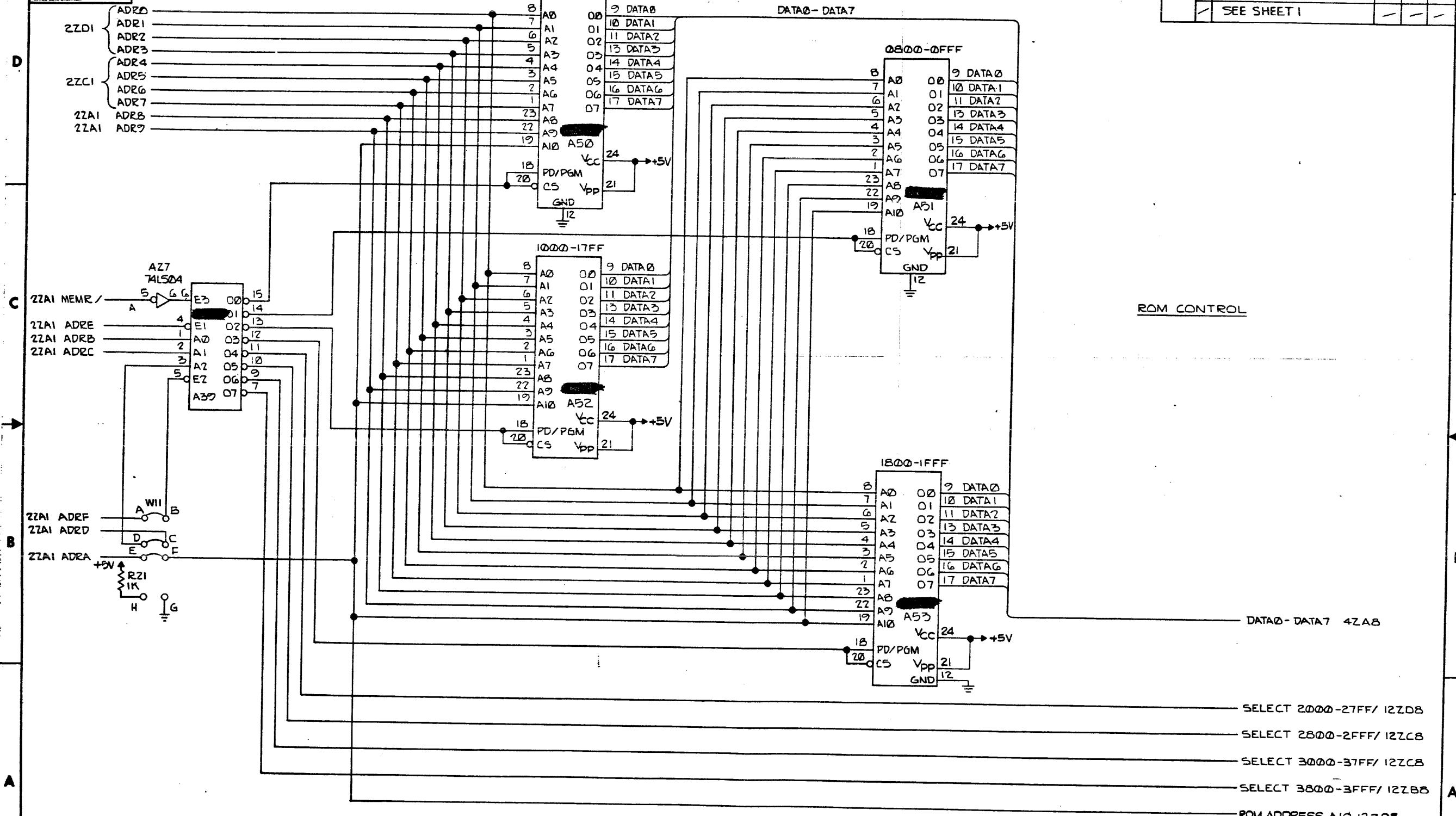
A	B	C	D	E	F	H	J	K	L
GND	+13V	+62V	GND	HORIZ	+15V	VIDEO	VERT	GND	
1	2	3	4	5	6	7	8	9	10

BRIGHTNESS FULL OFF -61.7V
 BRIGHTNESS FULL ON +13.1V
 CONTRAST
 VIDEO

SCALE/DWG	SIZE	DEPT	DRAWING NO	REV
SHEET NO OF 12	D	MCSD	E 20001243	10

THE DRAWING CONTAINS INFORMATION WHICH IS THE PROPRIETARY PROPERTY OF INTEL CORPORATION. THIS DRAWING IS REPRODUCED IN CONFIDENCE AND ITS CONTENTS MAY NOT BE DISCLOSED WITH-OUT THE PRIOR WRITTEN CONSENT OF INTEL CORPORATION.

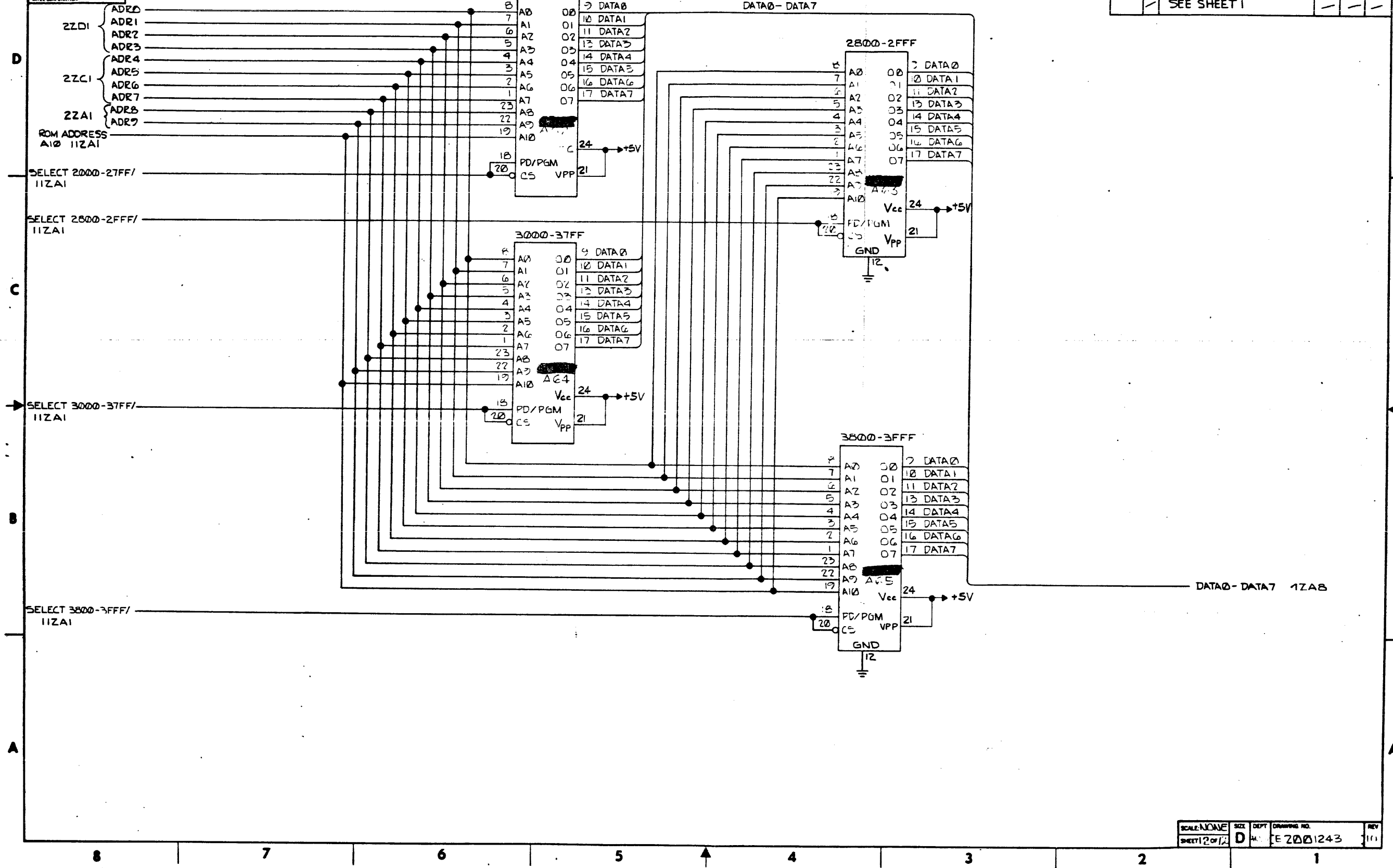
REVISIONS			
LTR	DESCRIPTION	DFT	ENGR
✓	SEE SHEET 1	✓	✓



SCALE: NONE	SIZE: D	DEPT: INCS	DRAWING NO: E 2001243	REV: 10
SHEET 1 OF 2				

THIS DRAWING CONTAINS INFORMATION WHICH IS THE PROPRIETARY PROPERTY OF INTEL CORPORATION. THIS DRAWING IS RECEIVED IN CONFIDENCE AND ITS CONTENTS MAY NOT BE DISCLOSED WITHOUT THE PRIOR WRITTEN CONSENT OF INTEL CORPORATION.

REVISIONS			
LTR	DESCRIPTION	DFT	CHK
-	SEE SHEET 1	-	-



SCALE: NONE	SIZE: D	DEPT: E2001243	REV: 10
SHEET: 2 of 2			