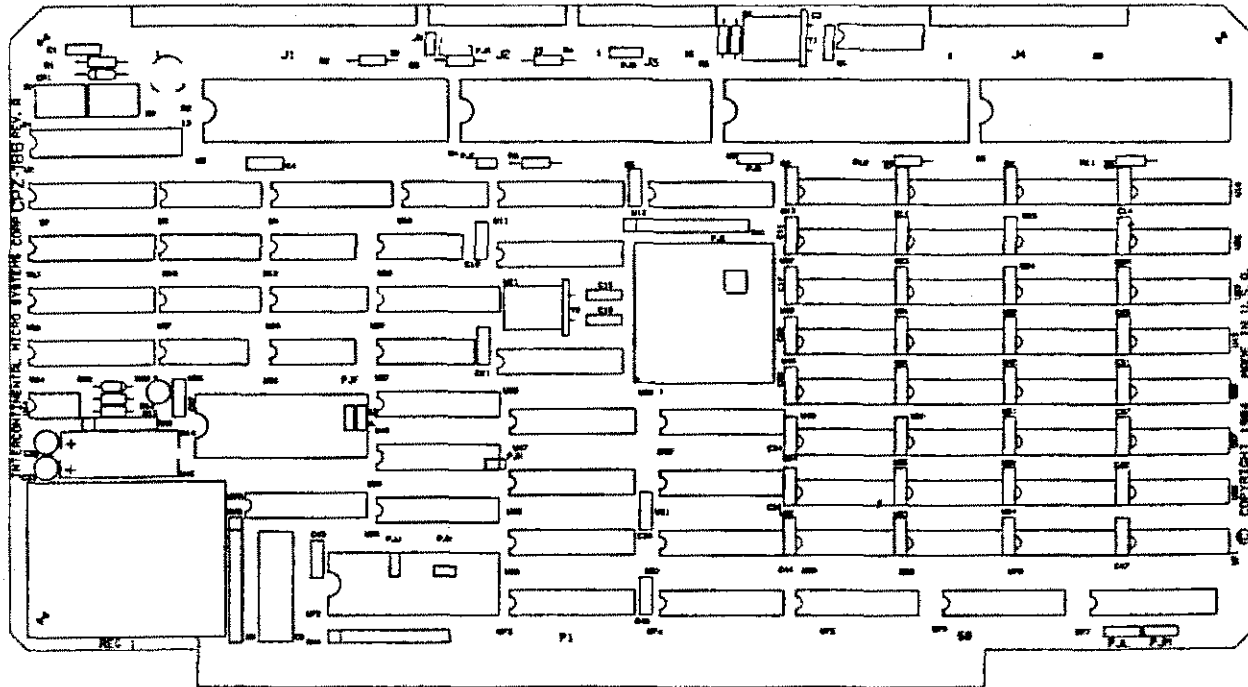
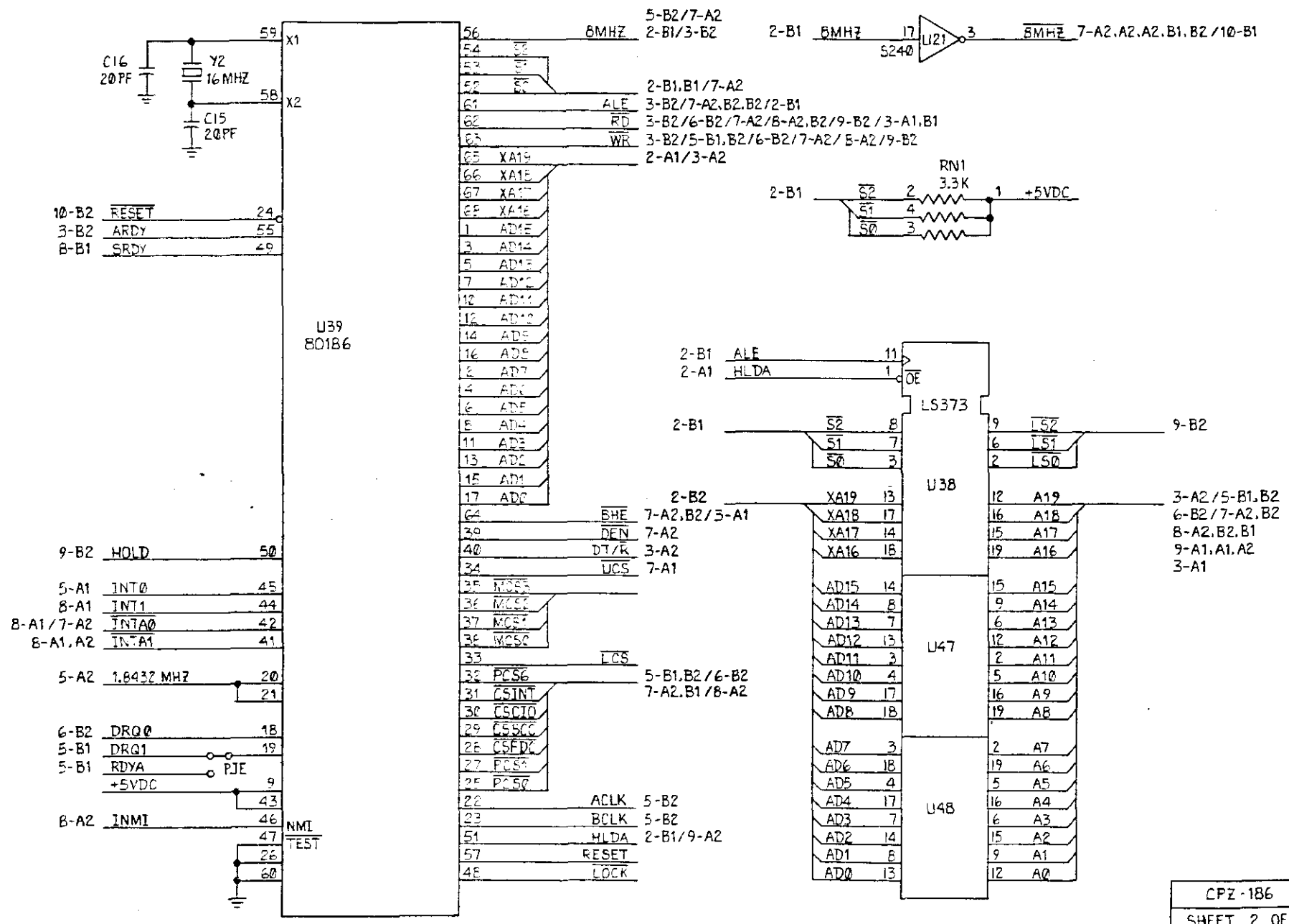


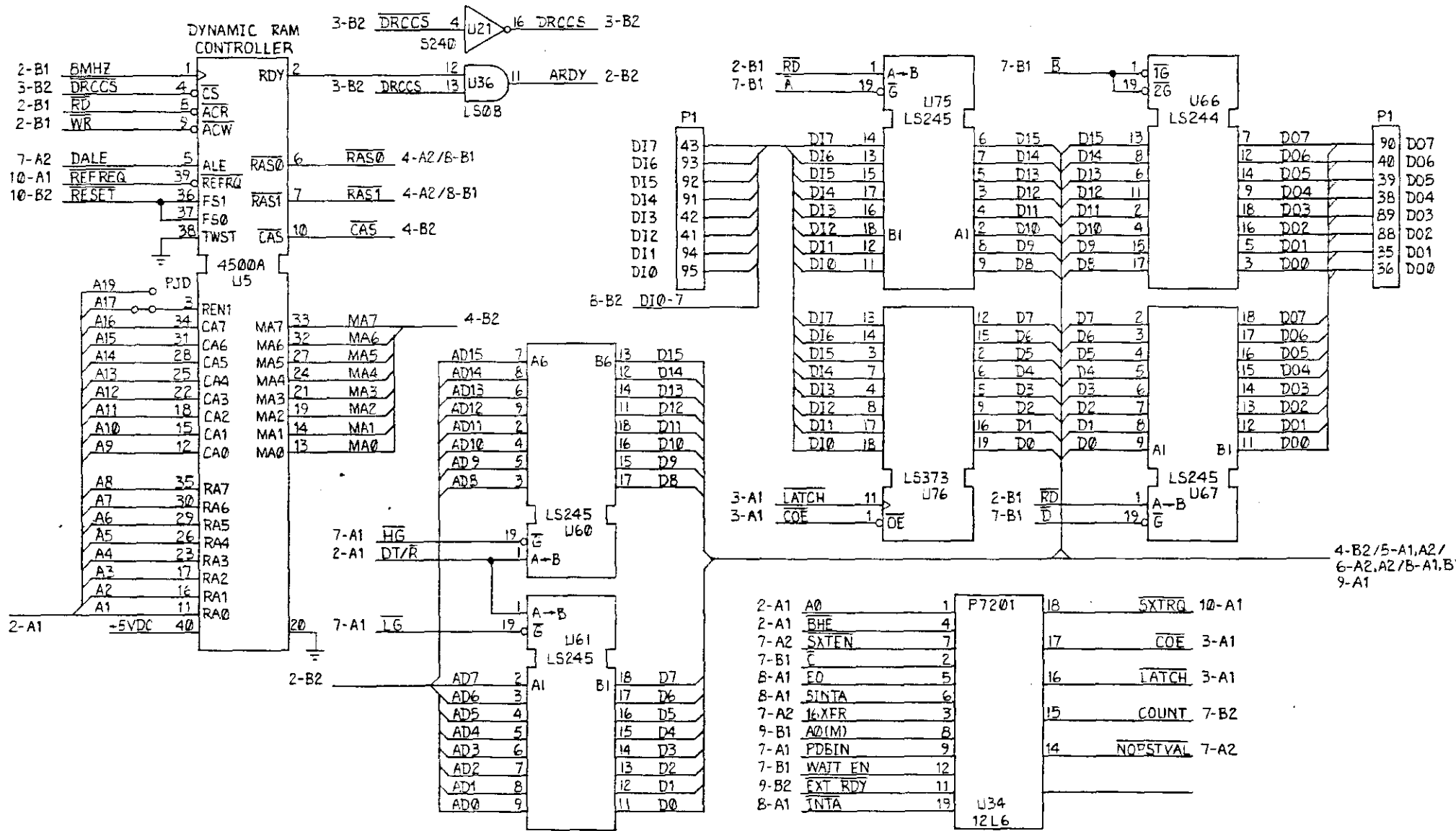
LA78H05	+5V Regulator		1
3.3K ohm SIP	Resistor 10-pin SIP	RN2,4	2
4.7K ohm SIP	Resistor 6-pin SIP	RN1,3	2
10 ohm	Resistor 5 watt	R12	1
33 ohm	Resistor 1/4 watt	R5,6,8	3
330 ohm	Resistor 1/4 watt	R3,4	2
1.2K ohm	Resistor 1/4 watt	R2	1
3.3K ohm	Resistor 1/4 watt	R1,7	2
4.7K ohm	Resistor 1/4 watt	R11	1
10K ohm	Resistor 1/4 watt	R9	1
20K ohm	Resistor 1/4 watt	R10	1
1.8432 Mhz	Crystal	Y1	1
16 Mhz	Crystal, Parallel Resonant	Y2	1
20 pico-farad	Capacitor, Cer	C7,8	2
10 micro-farad	Capacitor, Tant	C27,30	2
22 micro-farad	Capacitor, Tant	C29	1
0.01 micro-farad	Capacitor, Ceramic	C1,28	2
0.1 micro-farad	Capacitor, Tant	C2-6,9-26,31-50	43
8X2 jumper array	10 PORT SEL		1
5X2 jumper array	EXT MEM ADDR		1
#6 Nut			2
#6 Washer			4
5/32x1/2 Screw			2
BLANK CPS-186			1
ICC-50J68-2-G	68-pin Leadless Carrier	U26	1
2-640463-3	8-pin socket	U41	1
2-640357-3	14-pin socket	U1,15,21,22,31-33,42,54,62,69	11
2-640358-3	16-pin socket	U11-14,17-20,23,27-30,37-40,46-49,50-53,58-61,65-68	33
2-640464-3	20-pin socket	U8-10,16,24,25,34-36,43-45,55-57,63,64,71-74	21
2-640361-3	24-pin socket	U2	1
2-641932	24-pin socket	NAR .3 SCKT U70	1
2-640362-3	28-pin socket	U7	1
2-640379-3	40-pin socket	U3-6	4
Heatsink 6104B	Base w/Hat		1
IDH-16LP-SR3-TG	16-pin male rt. angle cnctr	J1-4	4
IDH-26LP-SR3-TG	26-pin male rt. angle cnctr	J6	1
CNCTR RT ANGLE 1X2	1X2 RIGHT ANGLE	J5	1
Card Ejector	w/ pins		2
80186	8 Mhz 16-bit Microprocessor	U26	1
Z8531	Serial Communications Controller	U3,4	2
Z8536	Counter/Timer & Parallel Interface	U6	1
8259A	Interrupt Controller	U7	1
8253	Timer/Counter	U2	1
TMS4500A-15	DRAM Controller	U5	1
M5K4164AP-15	64K DRAM's	U11-14,17-20,27-30,37-40,46-49,50-53,58-61,65-68	32
FAL12L6	PAL	U16	1
FAL16L8	PAL	U9,34	2
AM27S291ADC	2K x 8 PROM	U70	1
AM25LS2521	8-BIT COMPARATOR	U63,71	2
74LS00	NAND GATE, QUAD	U21	1
74LS02	NOR GATE, QUAD	U22	1
74LS04	INVERTER, HEX	U1,15	2
74LS10	NAND GATE, TRI	U62	1
74S32	OR GATE, QUAD	U31	1
74LS74	FLIP-FLOP, DUAL	U32,33,42,54	4
		74LS175	1
		74LS240	2
		74S240	1
		74LS244	1
		74LS245	2
		74LS373	1
		7438	1
		555	1
		REGISTER, QUAD	U23
		INVERTER, OCTAL	U43
		INVERTER, OCTAL	U8
		BUFFER, OCTAL	U24,44,55,56,64,72,74
		TRANSCIEVER, OCTAL	U35,45,57,73
		REGISTER, OCTAL	U10,25,36
		NAND GATE, QUAD OC	U69
		ONE SHOT	U41



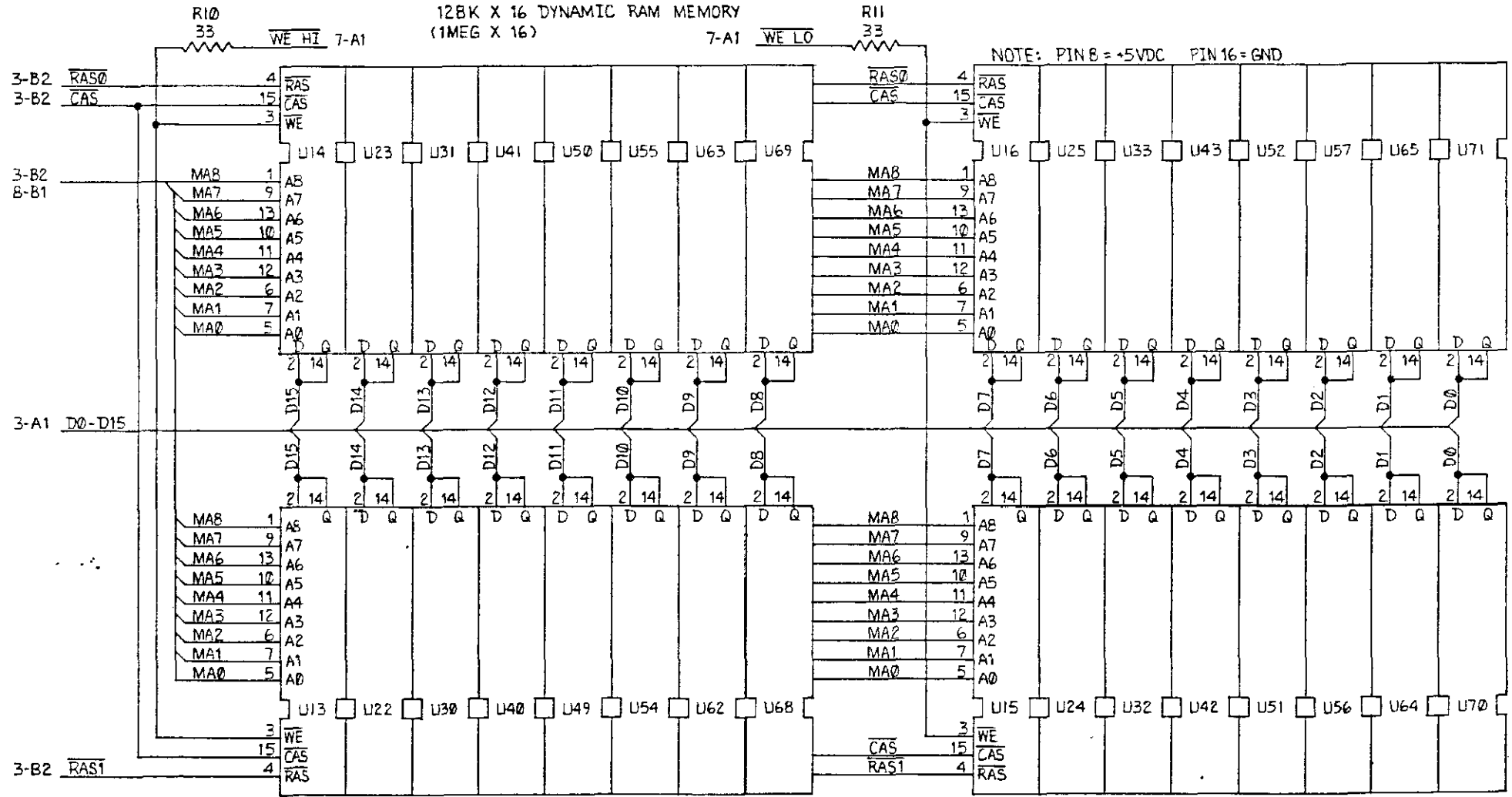
INTERCONTINENTAL MICRO SYSTEMS
CPZ 16 BIT MASTER BD.

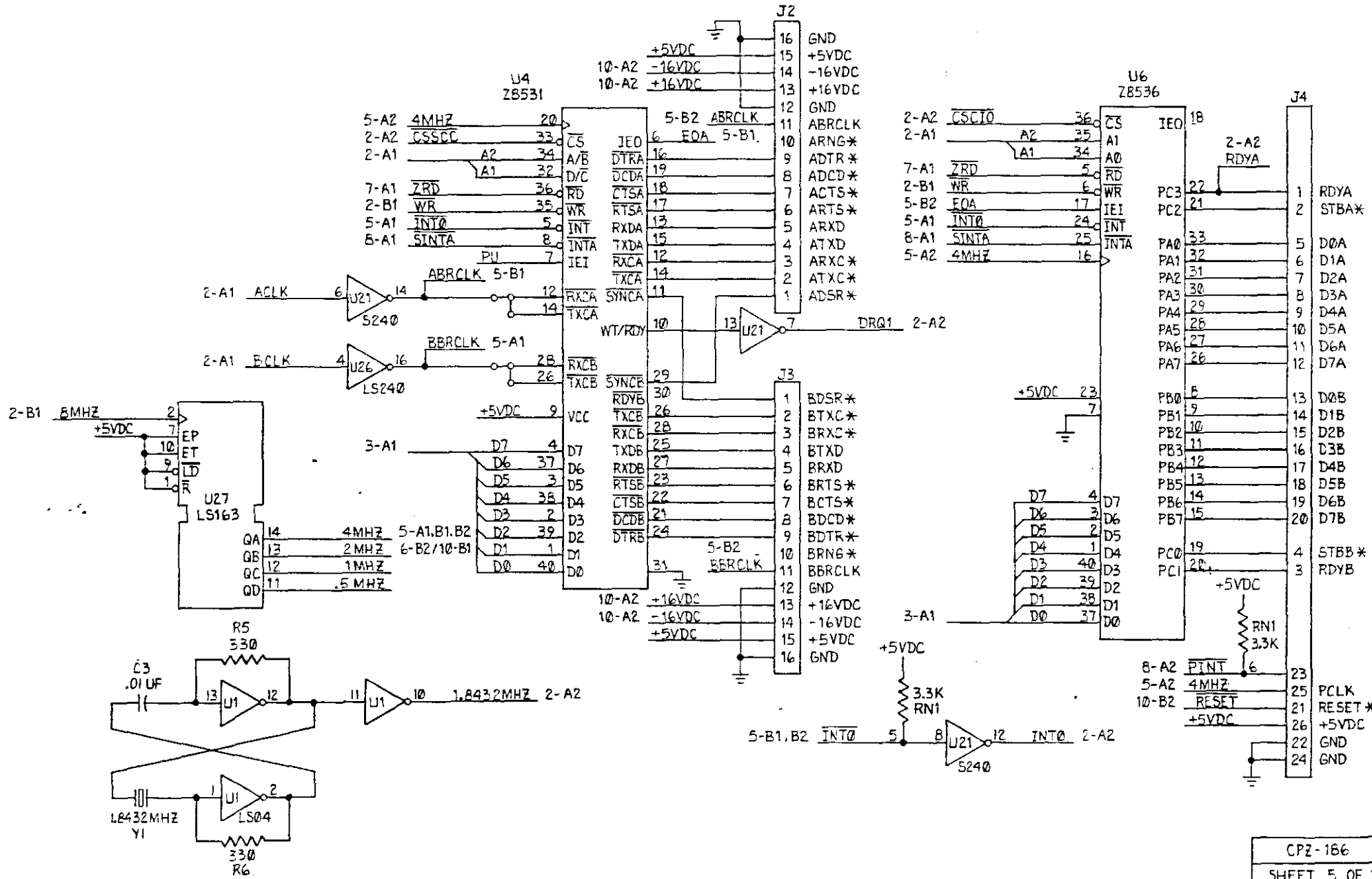
DESIGNED BY: R. TOZAKI 1-85	INTERCONTINENTAL MICRO SYSTEMS	
	SCHEMATIC/LOGIC DIAGRAM	
	16-BIT SINGLE BOARD	
	MASTER PROCESSOR	
REV: B	CPZ-186	SHEET 1 OF 10

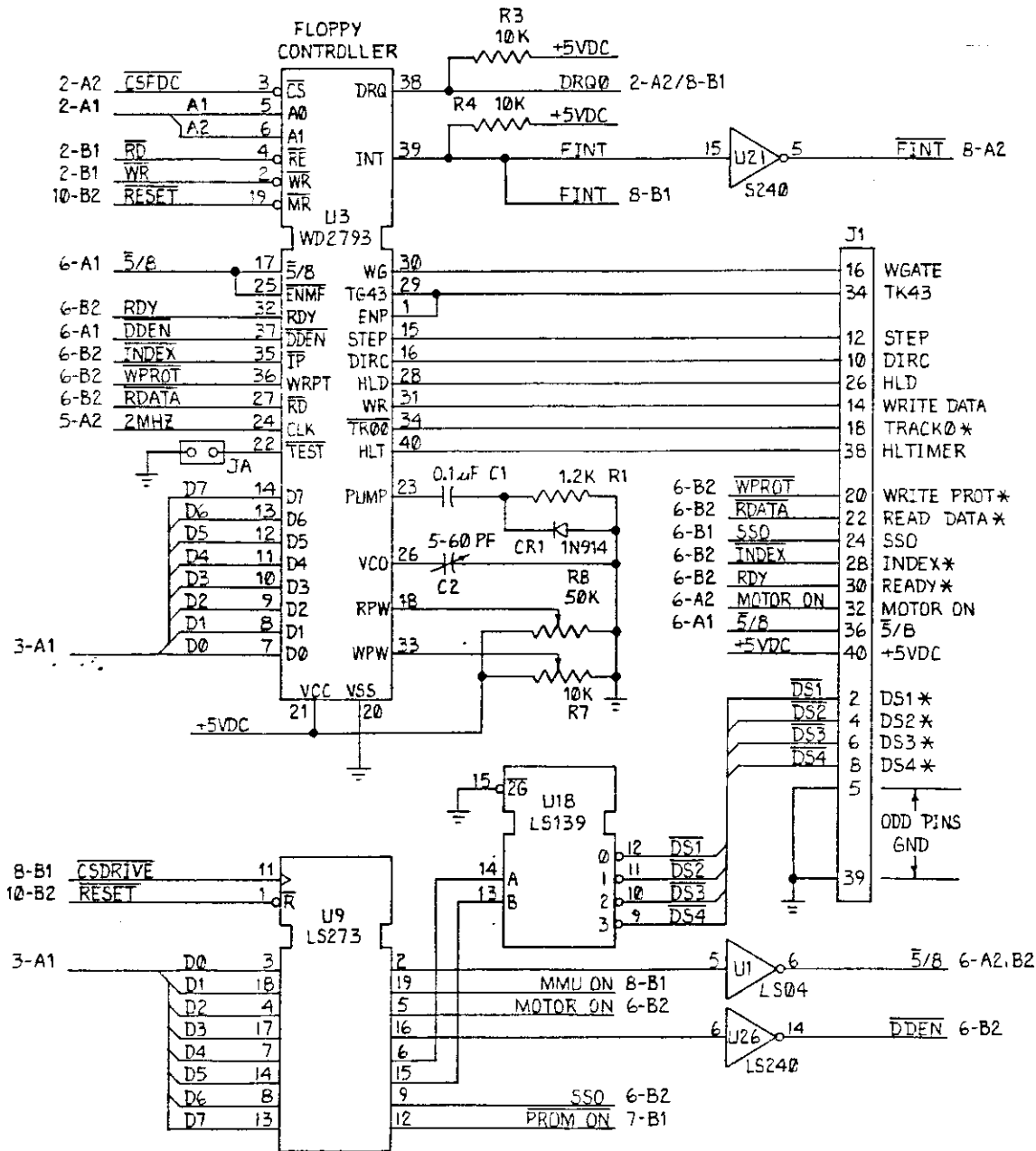


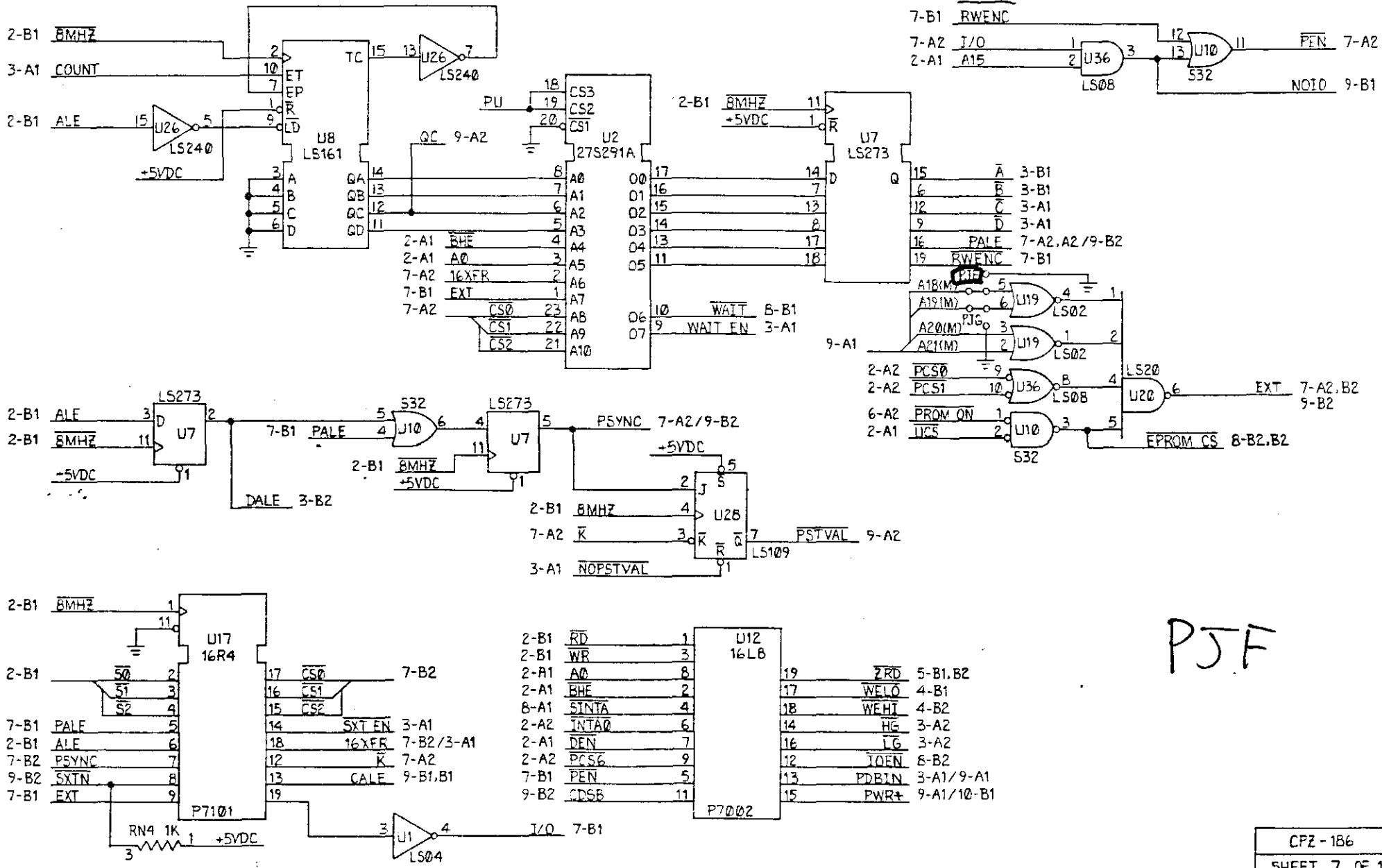


128K X 16 DYNAMIC RAM MEMORY
(1MEG X 16)









PJF

