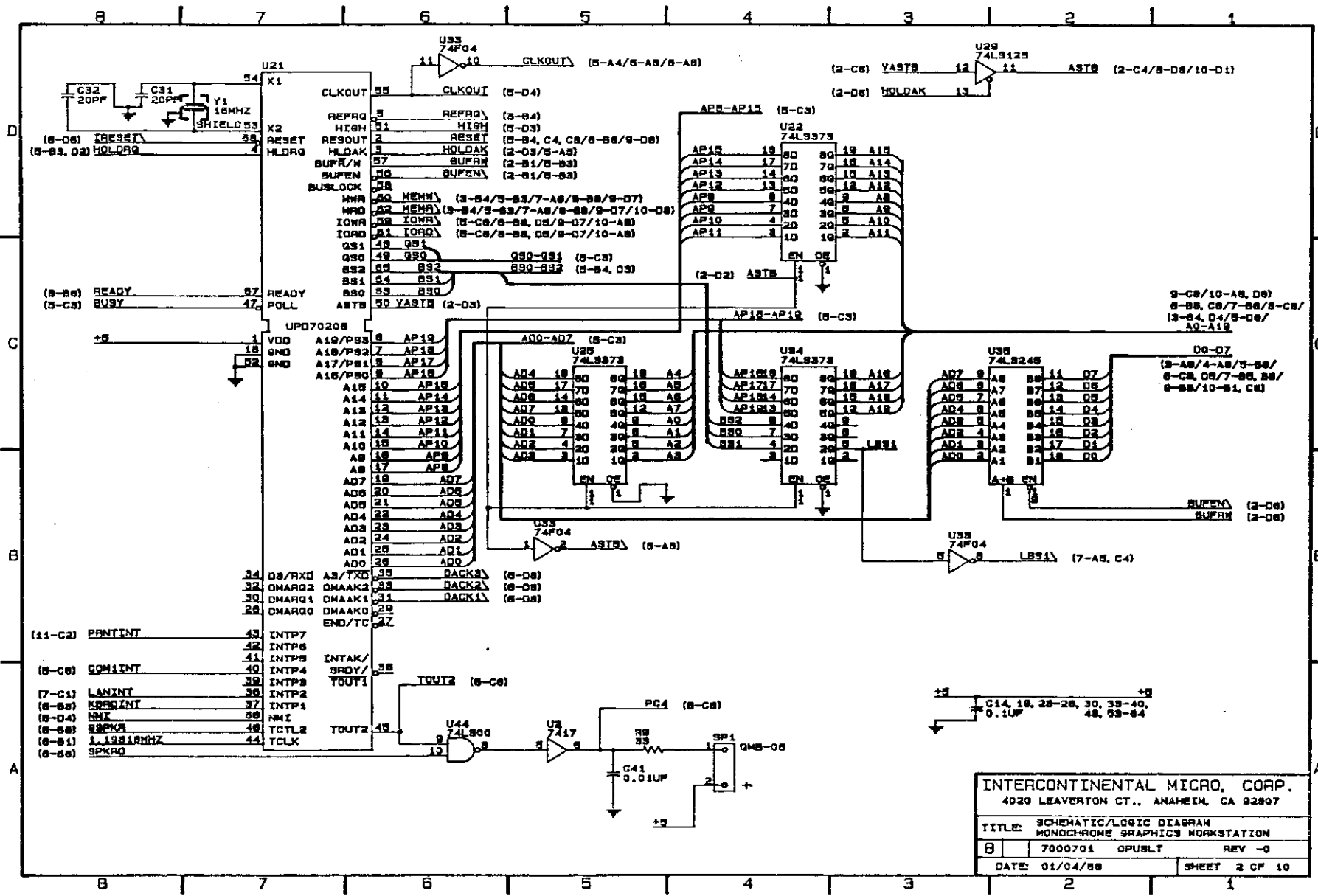
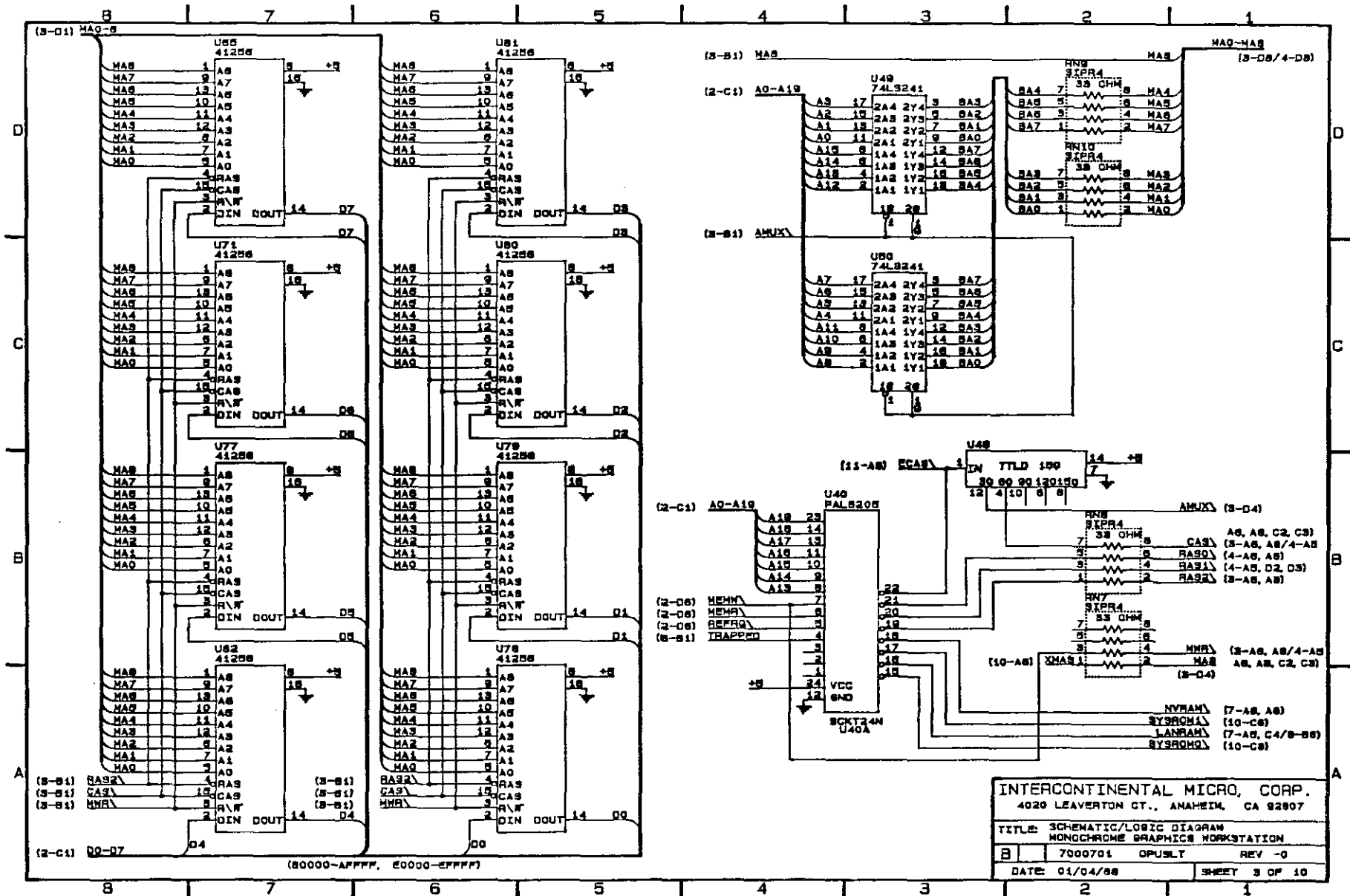


ZONE		REVISIONS		APPROVAL	
LTR		DESCRIPTION	DATE		

INTERCONTINENTAL MICRO, CORP.  
 4020 LEAVERTON CT., ANAHEIM, CA 92807  
 TITLE: PCB LAYOUT (PROPOSED)  
 MONOCHROME GRAPHICS WORKSTATION  
 B REV -  
 DATE: 12/12/87 SHEET 1 OF 10





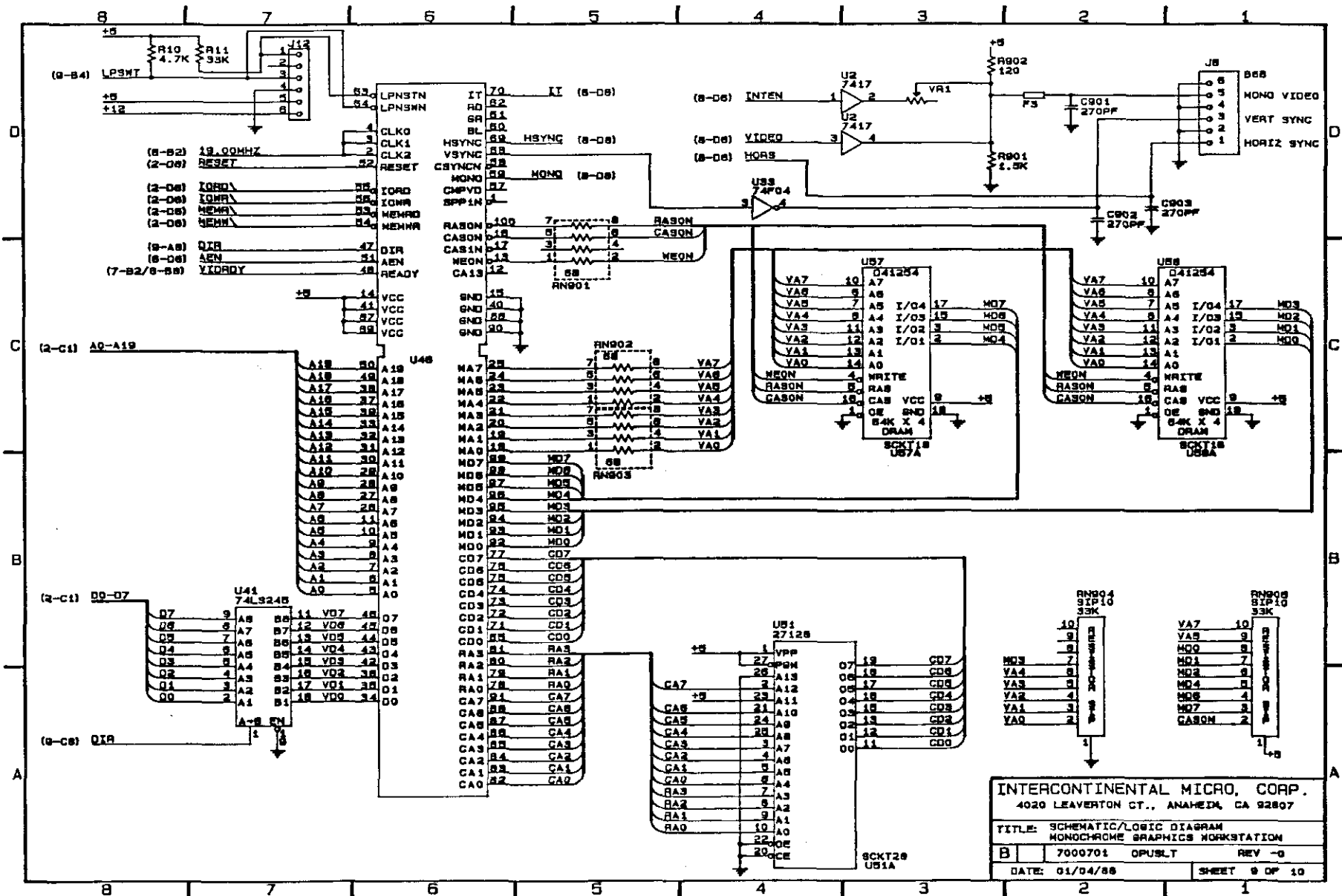
INTERCONTINENTAL MICRO, CORP.  
 4020 LEAVERTON CT., ANAHEIM, CA 92807

TITLE: SCHEMATIC/LOGIC DIAGRAM  
 MONOCHROME GRAPHICS WORKSTATION

7000701 OPUSLT REV -0

DATE: 01/04/88 SHEET 3 OF 10

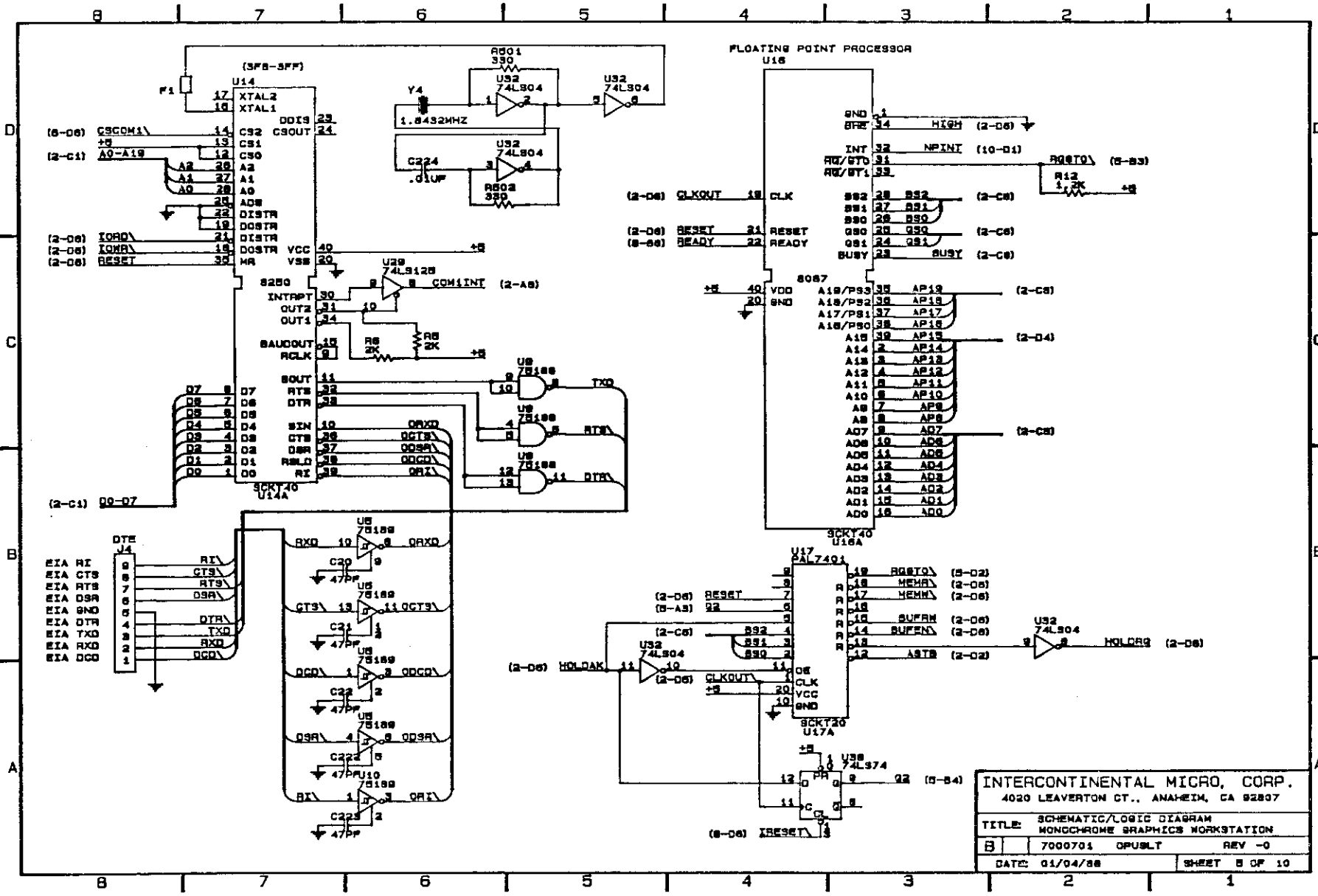




INTERCONTINENTAL MICRO, CORP.  
 4020 LEAVERTON CT., ANAHEIM, CA 92807

TITLE: SCHEMATIC/LOGIC DIAGRAM  
 MONOCHROME GRAPHICS WORKSTATION

B 7000701 OPUSLT REV -G  
 DATE: 01/04/88 SHEET 9 OF 10



**INTERCONTINENTAL MICRO, CORP.**  
 4020 LEAVERTON CT., ANAHEIM, CA 92807

TITLE: SCHEMATIC/LOGIC DIAGRAM  
 MONOCHROME GRAPHICS WORKSTATION

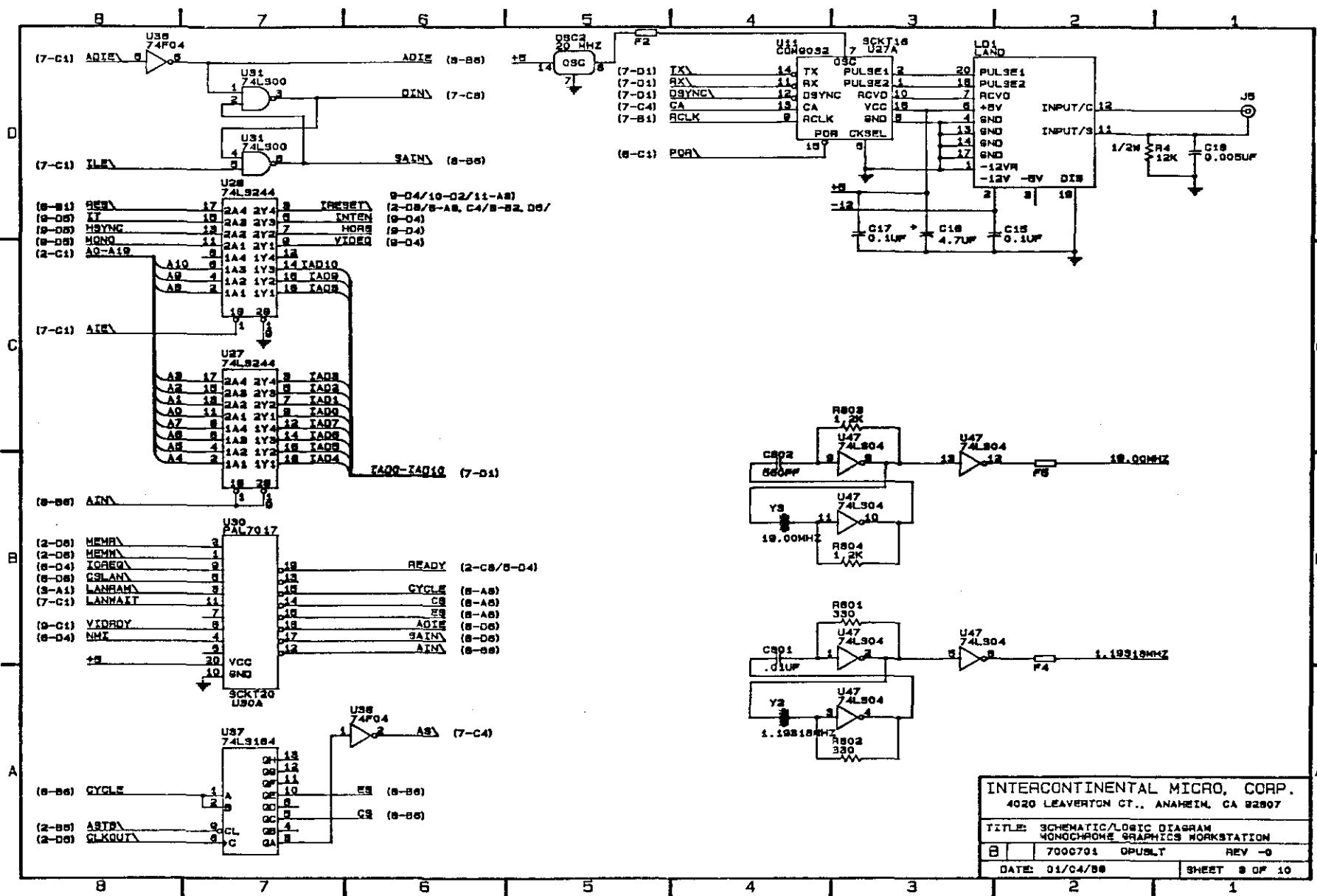
B 7000701 OPUBLT REV -0

DATE: 01/04/88 SHEET 5 OF 10

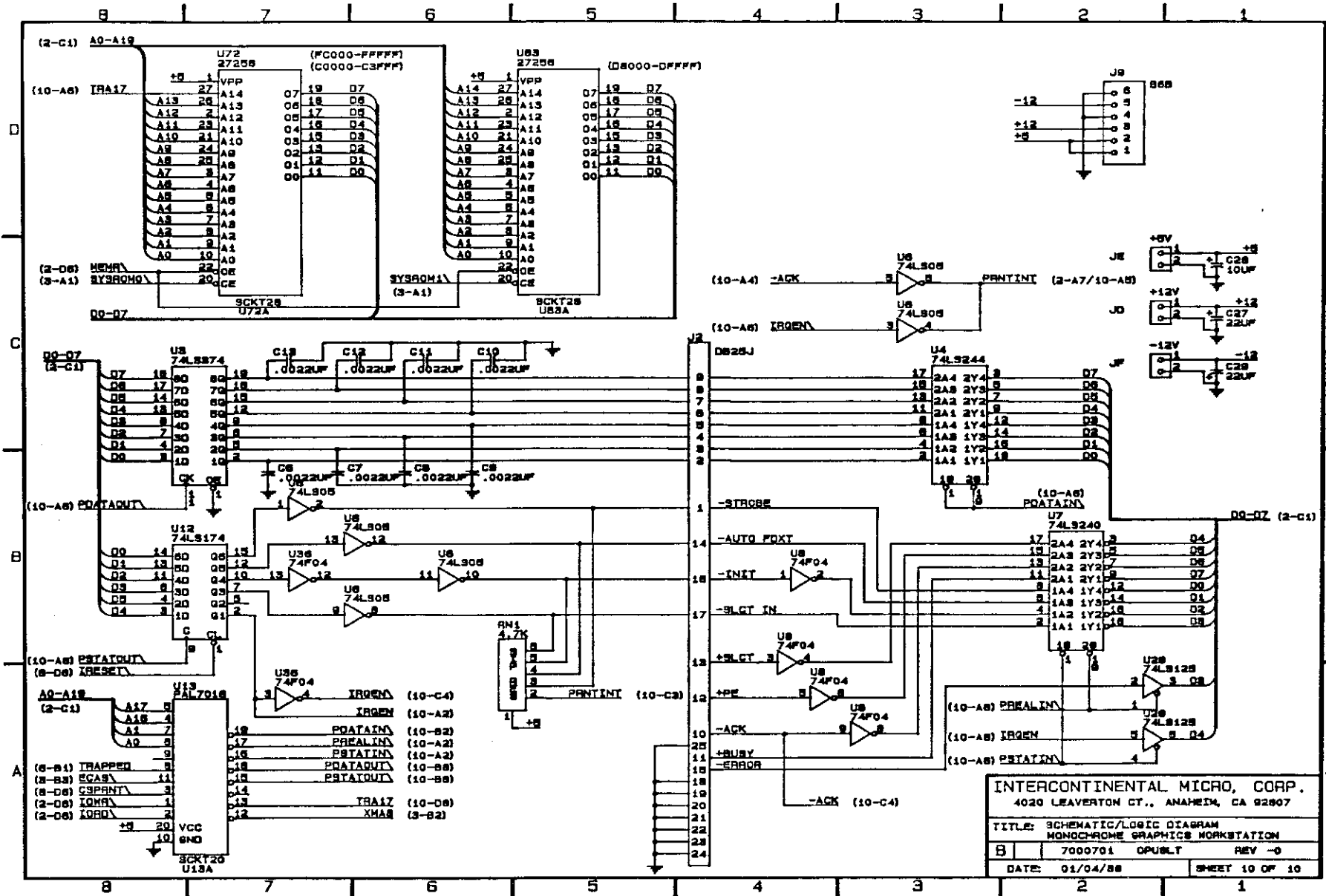








**INTERCONTINENTAL MICRO, CORP.**  
 4020 LEAVERTON CT., ANAHEIM, CA 92807  
 TITLE: SCHEMATIC/LOGIC DIAGRAM  
 MONOCHROME GRAPHICS WORKSTATION  
 7000701 OPUSLT REV -0  
 DATE: 01/04/88 SHEET 8 OF 10



INTERCONTINENTAL MICRO, CORP.  
 4020 LEAVERTON CT., ANAHEIM, CA 92807

TITLE: SCHEMATIC/LOGIC DIAGRAM  
 MONOCHROME GRAPHICS WORKSTATION

B 7000701 DPUBLT REV -0

DATE: 01/04/88 SHEET 10 OF 10