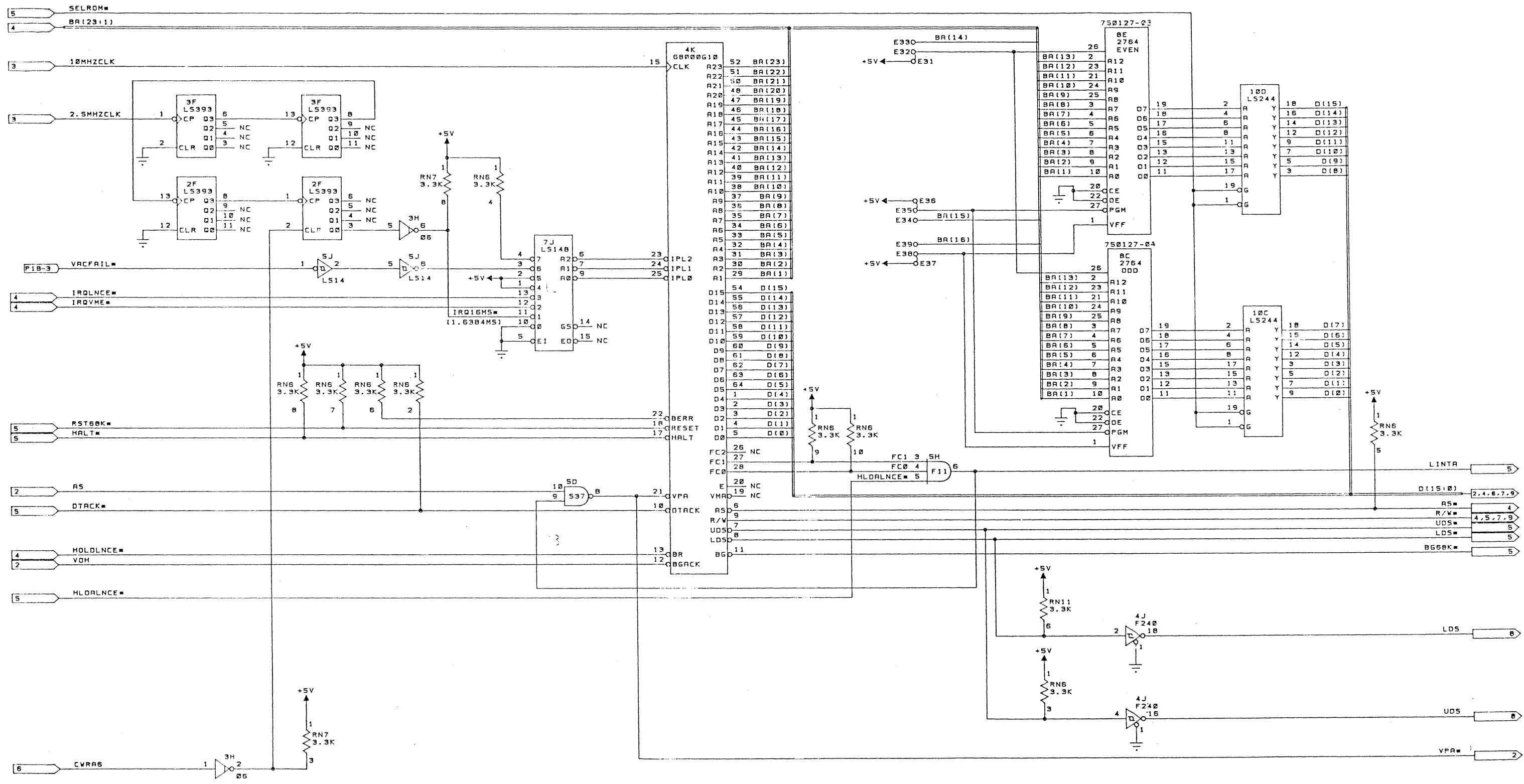


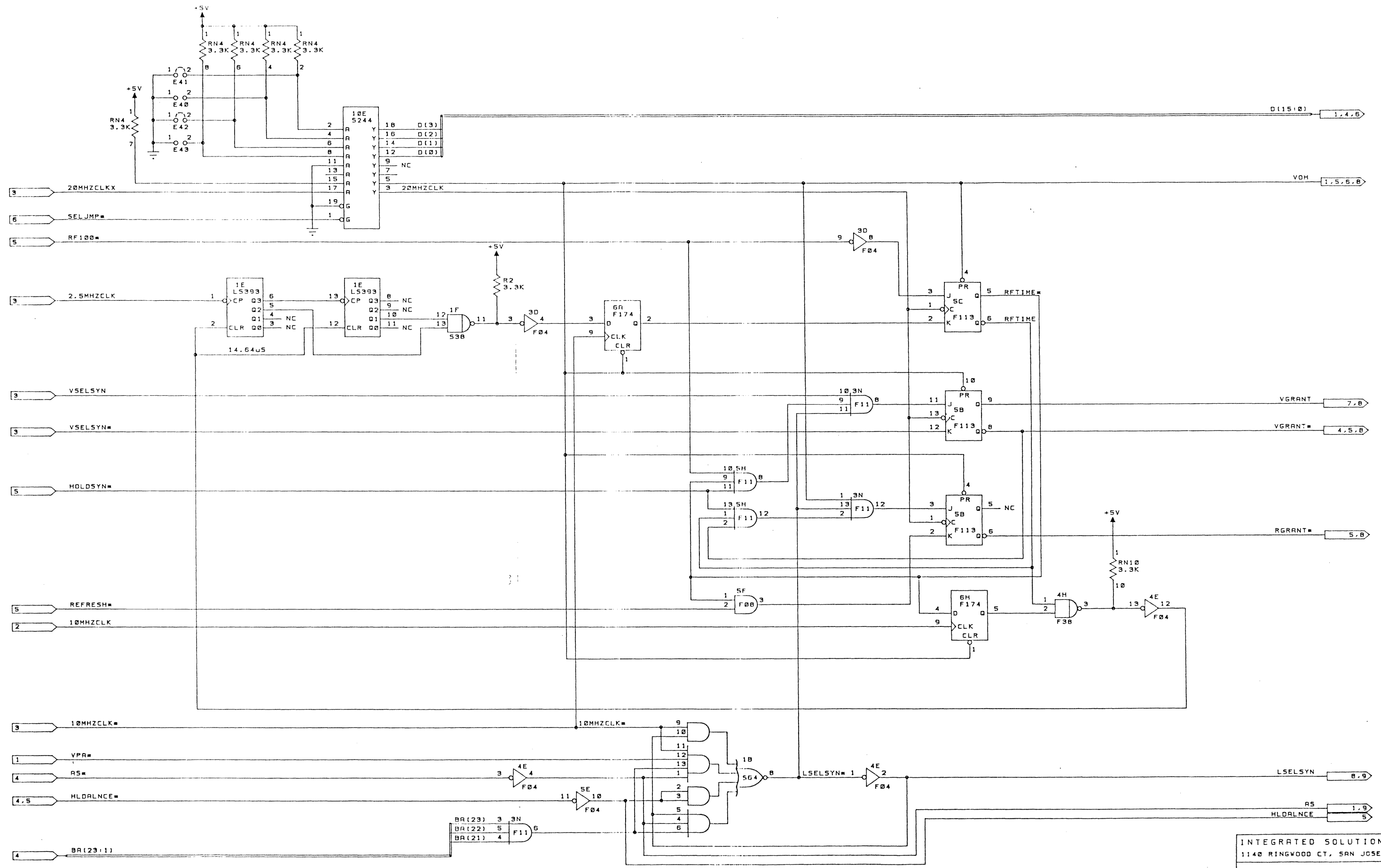
REV	DATE	DESCRIPTION	BY
A3	11/85	PRE-PRODUCTION RELEASE	...
A4
A	6/85	PRODUCTION RELEASE	...
B	7/85	NEW FIRMWARE	4-22-87



INTEGRATED SOLUTIONS, INC
 1140 RINGWOOD CT, SAN JOSE, CA 95131

LOGIC DIAGRAM
 VME ETHERNET CARD

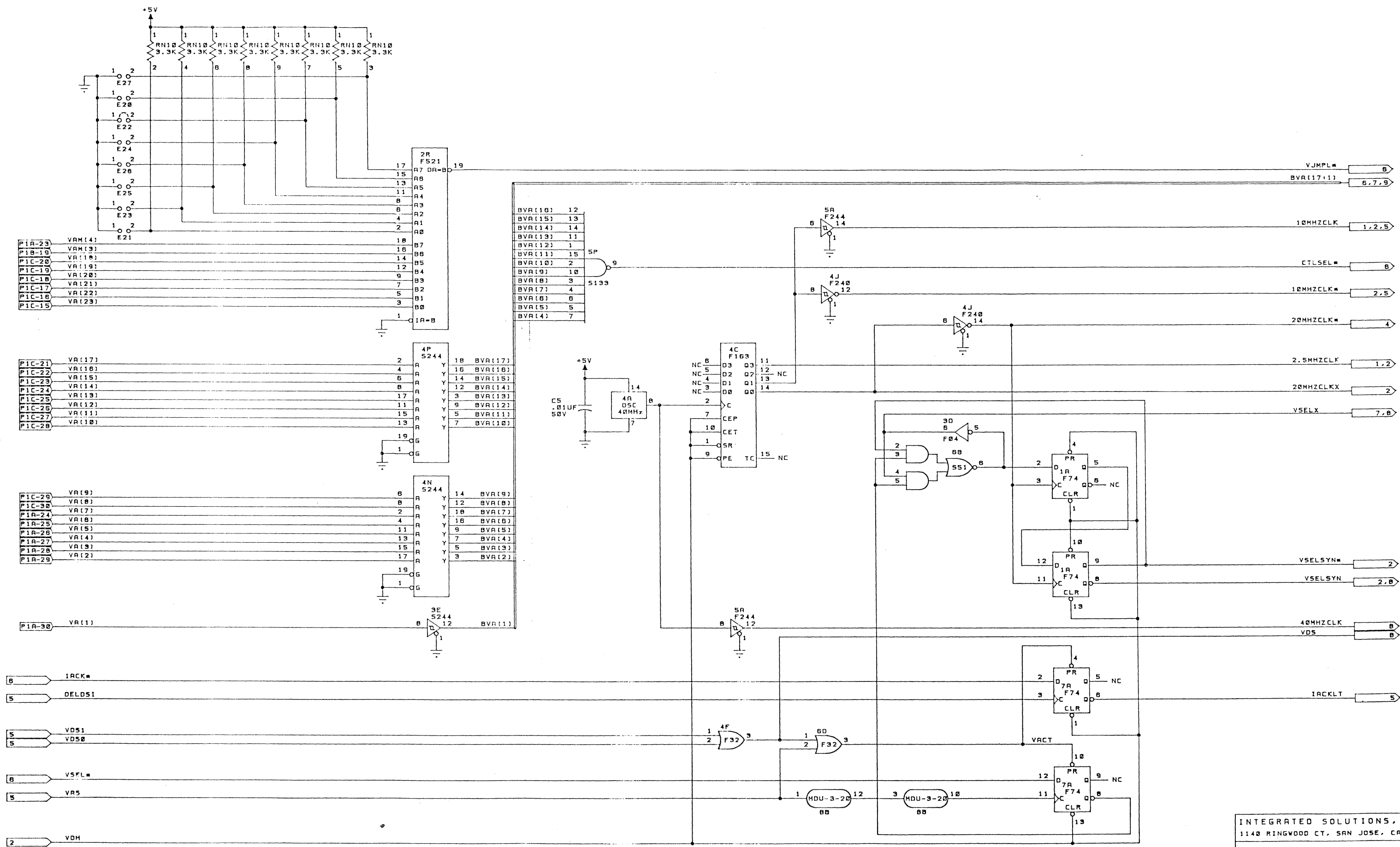
SCALE: N/A	DRAWING NO: 520063	REV: 1
DATE: 10/8/86	APPROVED: [Signature]	SHT 1 OF 9



INTEGRATED SOLUTIONS, INC
 1140 RINGWOOD CT, SAN JOSE, CA 95131
 LOGIC DIAGRAM
 VME ETHERNET CARD
 SCALE: N/A DRAWING NO: 520063 REV: B
 DATE: 10/8/86 APPROVED: [Signature] SHT 2 OF 9

D
 C
 B
 A

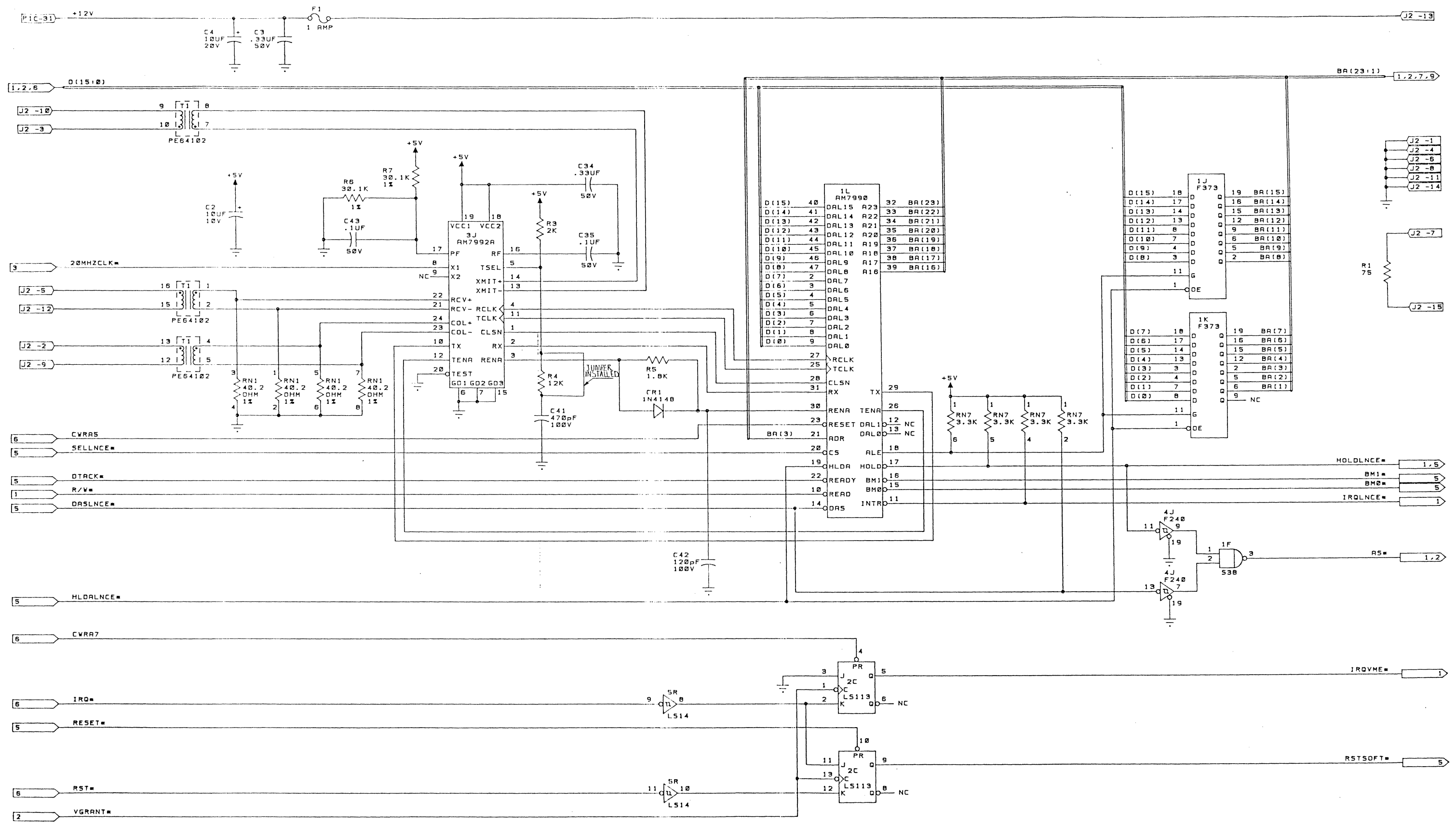
8 | 7 | 6 | 5 | 4 | 3 | 2 | 1



INTEGRATED SOLUTIONS, INC.
 1140 RINGWOOD CT, SAN JOSE, CA 951

LOGIC DIAGRAM
 VME ETHERNET CARD

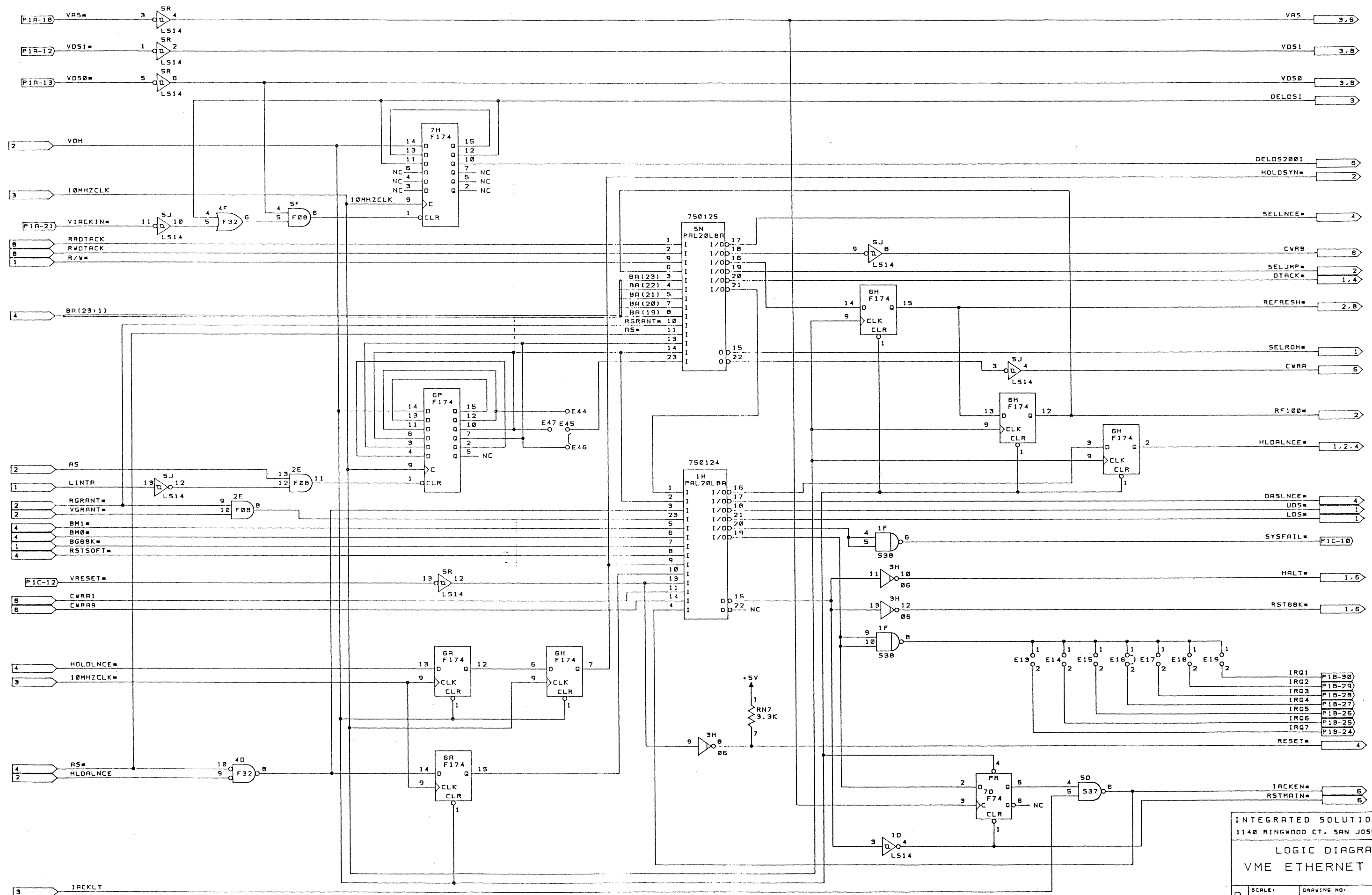
D	SCALE: N/A	DRAWING NO: 520003	REV: 1
DATE: 10/8/86	APPROVED:	SHT 3 OF 9	



INTEGRATED SOLUTIONS, INC.
 1140 RINGWOOD CT. SAN JOSE, CA 95131

LOGIC DIAGRAM
 VME ETHERNET CARD

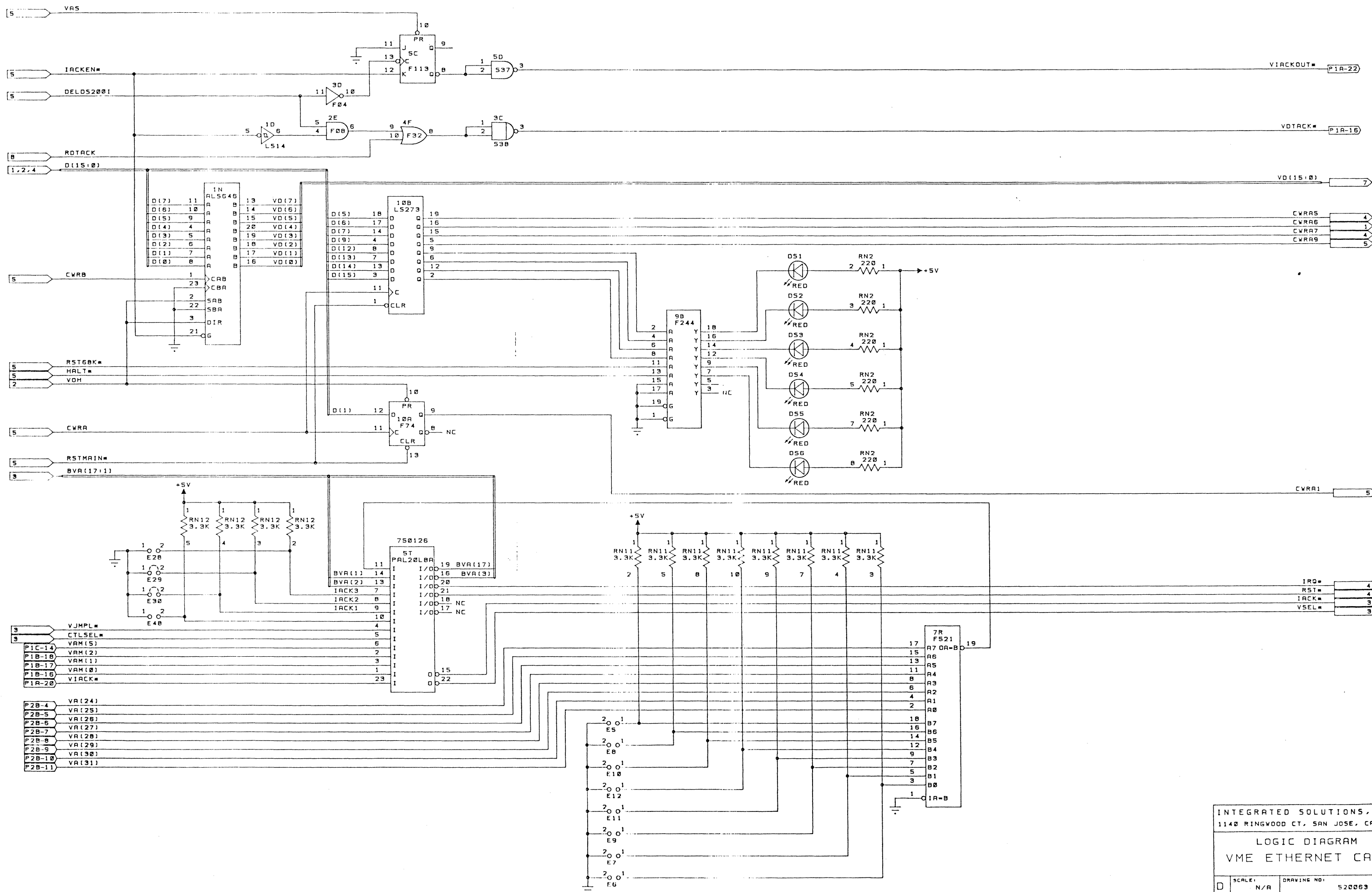
SCALE: N/A	DRAWING NO: 520053	REV: B
DATE: 12/16/88	APPROVED: [Signature]	SHT 4 OF 9



INTEGRATED SOLUTIONS, INC.
 1140 RINGWOOD CT, SAN JOSE, CA 95131

LOGIC DIAGRAM
 VME ETHERNET CARD

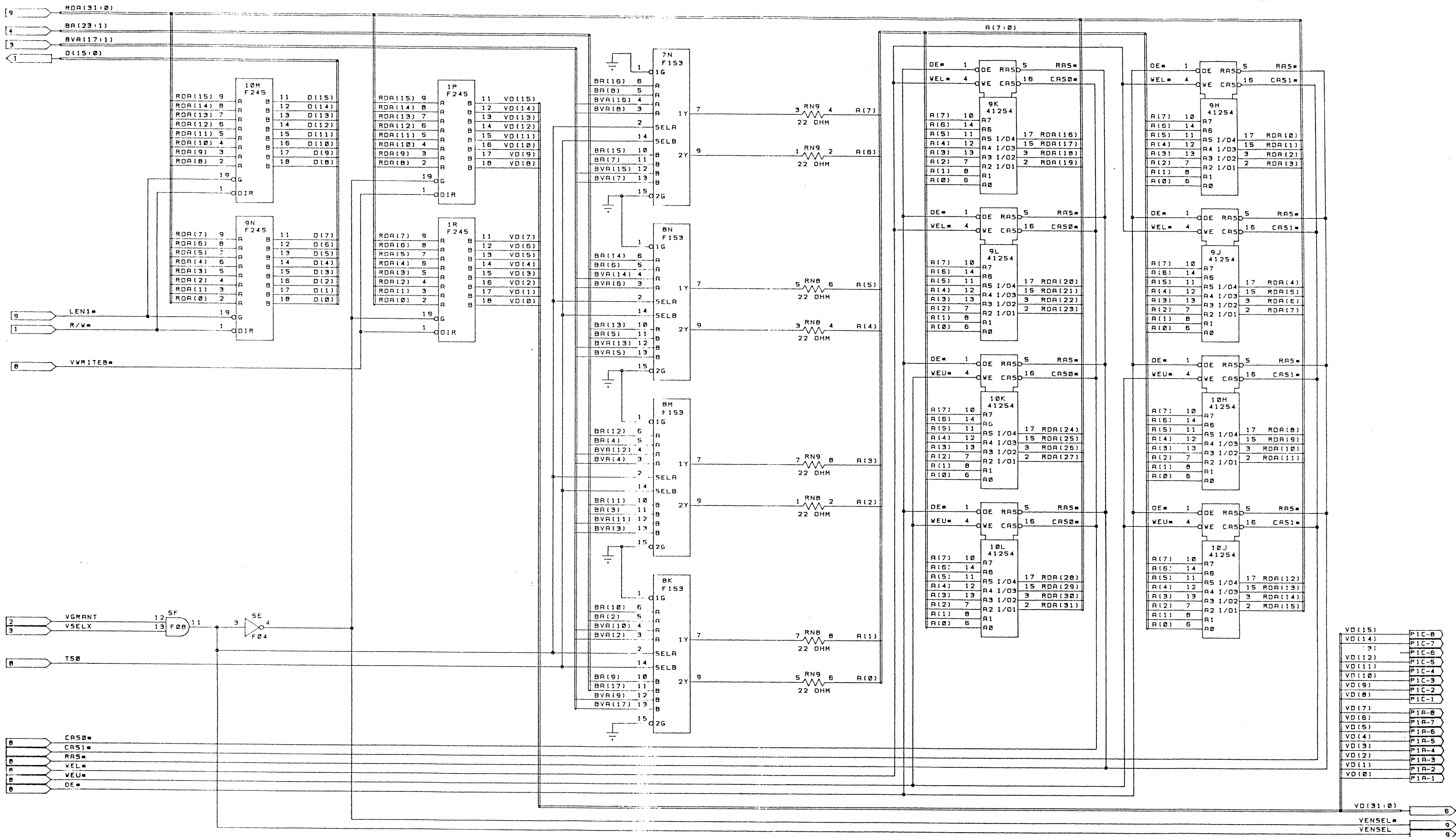
D	SCALE: N/A	DRAWING NO: 520263	REV B
DATE: 11/20/86	APPROVED:	SHT 5 OF 9	



INTEGRATED SOLUTIONS, INC.
 1140 RINGWOOD CT, SAN JOSE, CA 95131

LOGIC DIAGRAM
 VME ETHERNET CARD

D	SCALE: N/A	DRAWING NO: 520063	REV B
DATE: 10/8/86	APPROVED:	SHT 6 OF 9	



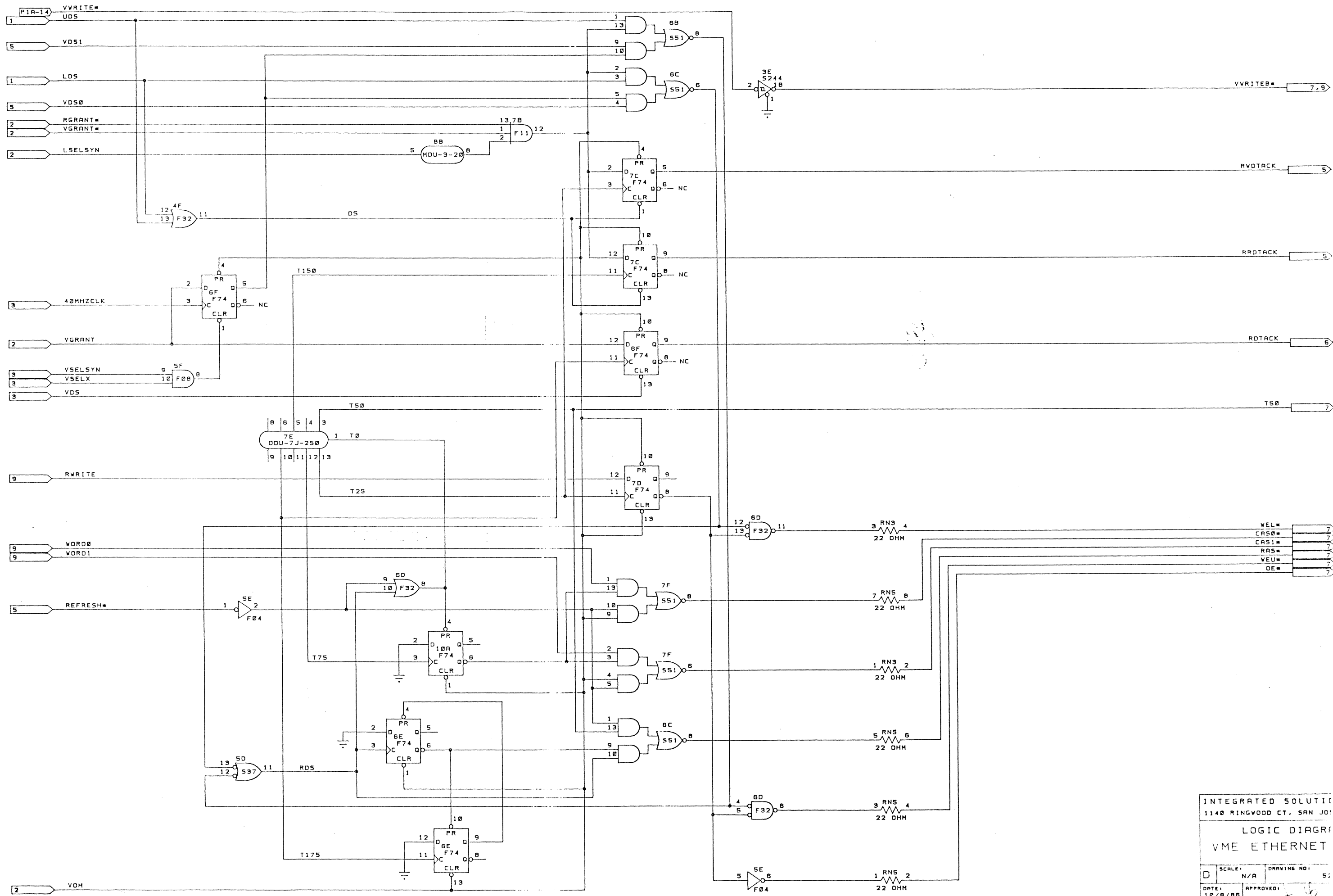
VD(15)	P1C-8
VD(14)	P1C-7
VD(13)	P1C-6
VD(12)	P1C-5
VD(11)	P1C-4
VD(10)	P1C-3
VD(9)	P1C-2
VD(8)	P1C-1
VD(7)	P1A-8
VD(6)	P1A-7
VD(5)	P1A-6
VD(4)	P1A-5
VD(3)	P1A-4
VD(2)	P1A-3
VD(1)	P1A-2
VD(0)	P1A-1

INTEGRATED SOLUTIONS, INC
1140 RINGWOOD CT. SAN JOSE, CA 95131

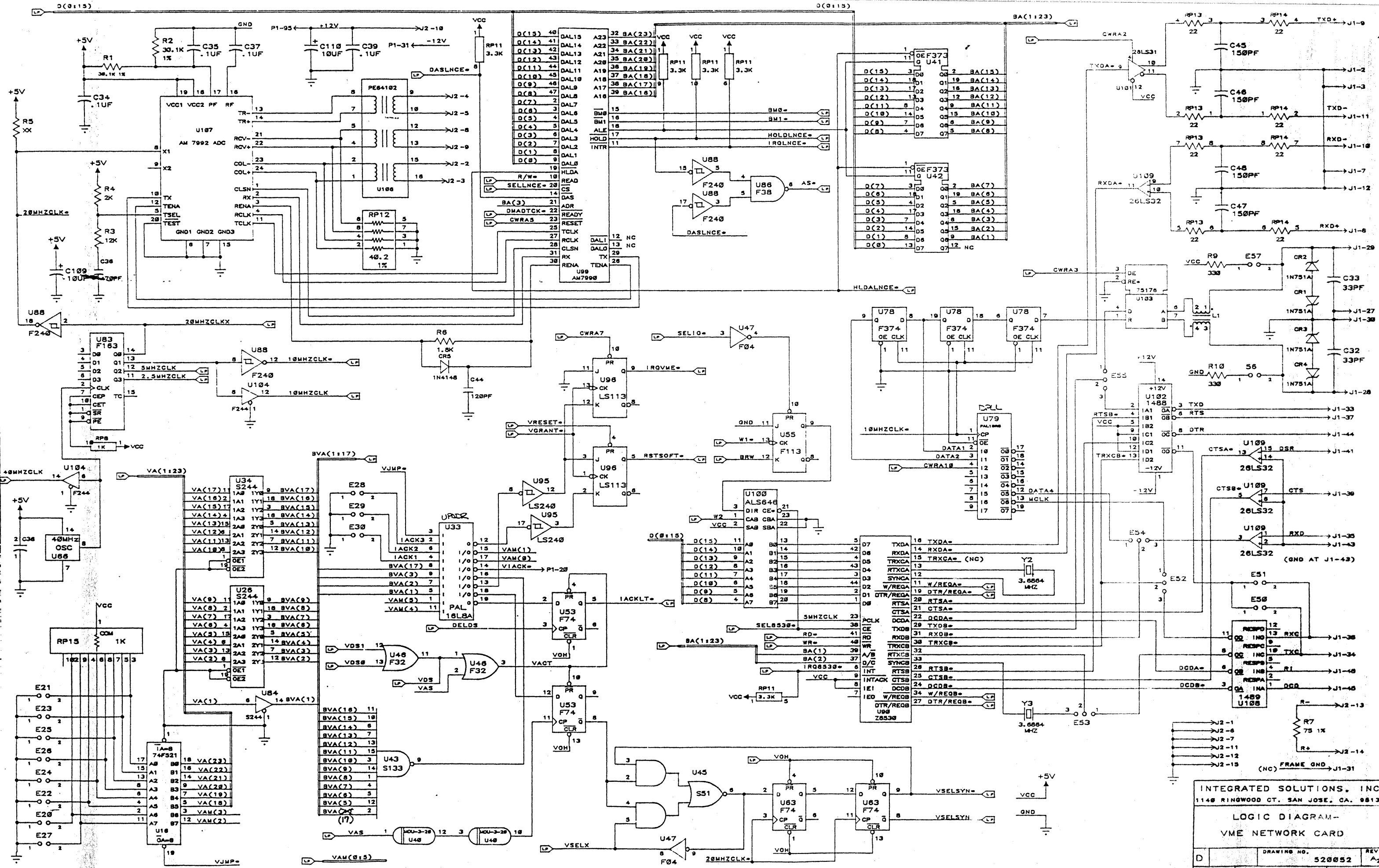
LOGIC DIAGRAM
VME ETHERNET CARD

D	SCALE: N/A	DRAWING NO: 520063	REV B
DATE: 10/8/88	APPROVED:	SHT 7 OF 9	

520063
SH 8-9



INTEGRATED SOLUTIONS
1140 RINGWOOD CT. SAN JOSE, CA 95128
LOGIC DIAGRAM
VME ETHERNET
SCALE: N/A DRAWING NO: 50
DATE: 10/8/88 APPROVED: [Signature]



INTEGRATED SOLUTIONS, INC.
 1148 RINGWOOD CT. SAN JOSE, CA. 95131

LOGIC DIAGRAM-
 VME NETWORK CARD

D	DRAWING NO.	REV
	520052	A ₂
DATE:	NEXT ASSY:	SHT 4 OF 4
1/12/88	500000	