

FRONT
(KEYBOARD SIDE)

REAR
(CONNECTOR SIDE)

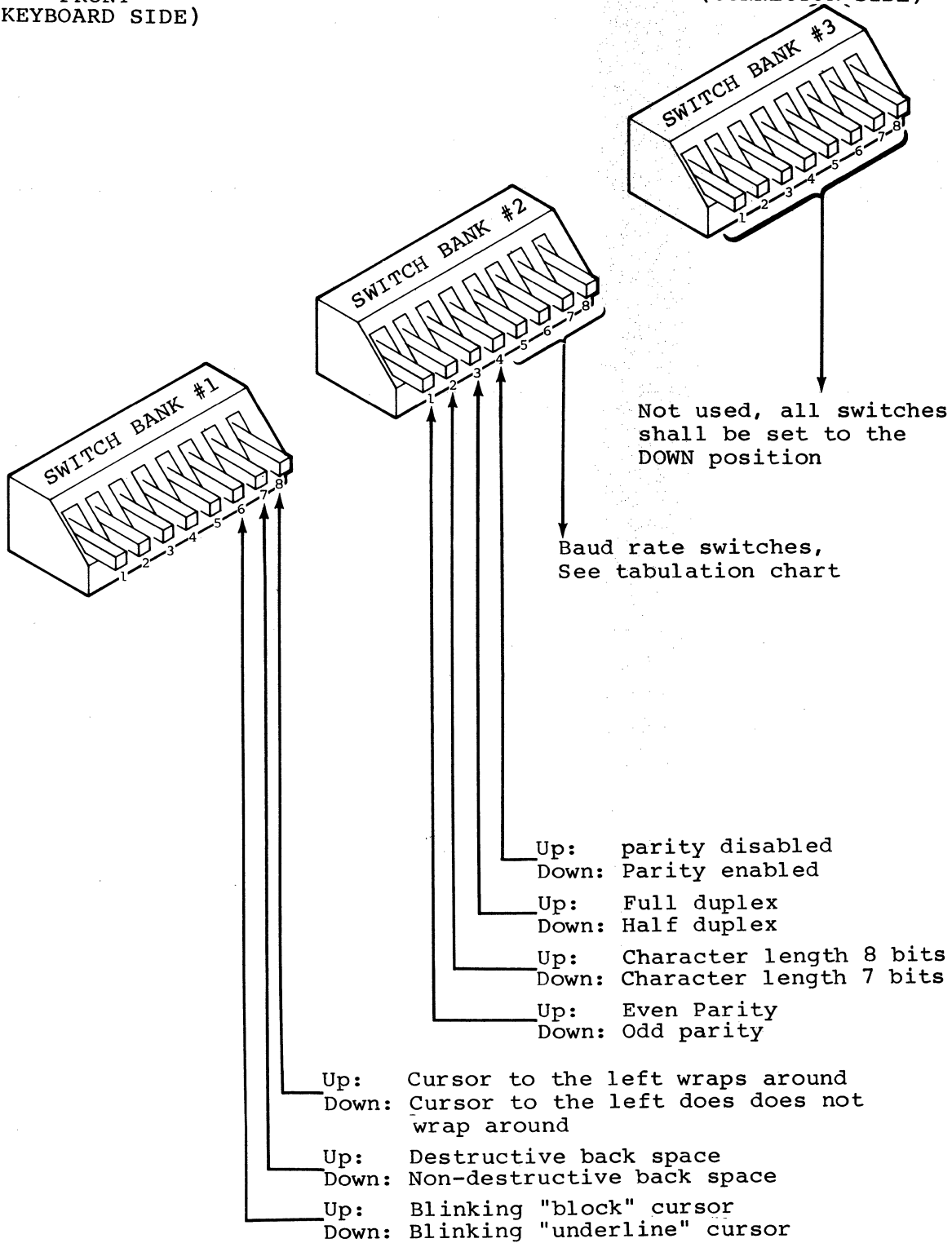


Figure 3-21. PRISM 4A Switch Options

The terminal will be delivered with the following switch settings:

SWITCH BANK 1 SWITCHES							
1	2	3	4	5	6	7	8
D	D	D	D	D	U	D	U

SWITCH BANK 2 SWITCHES							
1	2	3	4	5	6	7	8
D	U	U	D	D	D	U	U

SWITCH BANK 3 SWITCHES							
1	2	3	4	5	6	7	8
D	D	D	D	D	D	D	D

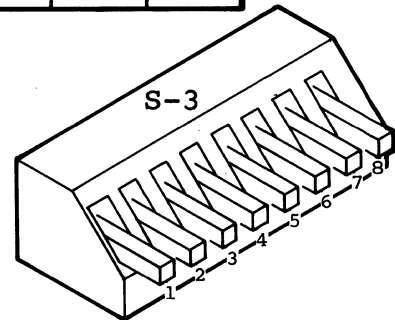
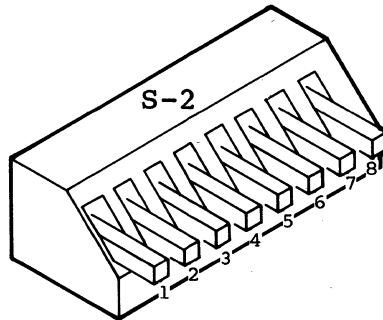
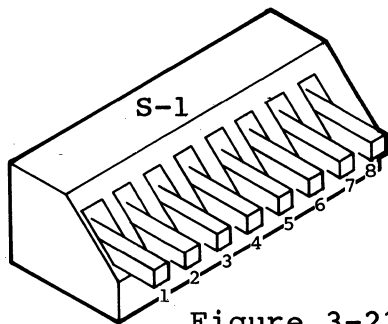
The switch settings above establish the following conditions:

- Blinking "block cursor
- Non-destructive back space
- Cursor to the left wraps around
- Odd parity
- Character length 8 bits
- Full duplex
- Parity disabled
- 9600 baud

Figure 3-22. PRISM 4 Switch Settings

		SWITCH #							
		1	2	3	4	5	6	7	8
PARITY	ODD	DOWN							
	EVEN	UP							
WORD LENGTH	7-BIT		DOWN						
	8-BIT		UP						
DUPLEX	HALF			DOWN					
	FULL			UP					
PARITY USAGE	ENABLE				DOWN				
	INHIBIT				UP				
BAUD RATE	110					DOWN	DOWN	DOWN	DOWN
	150					DOWN	UP	UP	UP
	300					DOWN	DOWN	DOWN	UP
	600					UP	DOWN	DOWN	UP
	1200					DOWN	DOWN	UP	DOWN
	1800					DOWN	UP	UP	DOWN
	2400					DOWN	UP	DOWN	DOWN
	3600					UP	UP	UP	DOWN
	4800					DOWN	UP	DOWN	UP
	9600					DOWN	DOWN	UP	UP
	19200					UP	DOWN	UP	UP

FRONT OF PRISM 4



REAR OF PRISM 4

Figure 3-23. PRISM 4 Communication Switch Settings with Baud Rate Options