

**SDS 920 COMPUTER**  
Logic Layouts  
Current & History

SDS 900552C

March 1965

**SDS**

SCIENTIFIC DATA SYSTEMS/1649 Seventeenth Street/Santa Monica, California/UP 1-0960

PREFACE

This printing of the 920 logic layouts, (Publications No 900552 C). Applies to SDS 920 Computer serial number 2172 and all later serial numbers.

1. Current sheets are the latest revisions. Refer to page 157.
2. History sheets start with Revision M. Refer to page 157.
3. Revision sheets may be supplied separately and are to be collated by the user.

Logic identification per computer and wire list revision level. Wire list revision level is stamped on the 920 Computer.

Computer S/N	Logic Revision Level	Wire List Rev. Level
2172	101701 M	101081 U

## 920 Directory

103	Add, $\overline{\text{Add}}$	69	C0
93	Ae	70	C1
93	An	71	C2, C3
115	An (Scope)	72	C4, C5
90	Anr	73	C6, C7
112	(An $\overline{\text{C23}}$ )	74	C8, C9
112	( $\overline{\text{An}}$ C23)	75	C10, C11
86	Ap, ( $\overline{\text{Ap}}$ F3)	76	C12, C13
91	Ar	77	C14, C15
92	Aw	78	C16, C17, $\overline{\text{C17}}$ *
		79	C18, C19
95	Be	80	C20, C21
95	Bn	81	C22, C23, C23*, C23**
96	Bnr	66	C24
94	Br	65	Cg, Cg*
110	Buc	66	Cp
94	Bw	68	Cs, Cs'
		67	Cxi, Cxm, Cxm'
69	Cd0	104	Cz
70	Cd1	103	[ $\overline{\text{Cz}}$ Xz Yz]
71	Cd2, Cd3	103	[Cz $\overline{\text{Xz}}$ $\overline{\text{Yz}}$ ]
72	Cd4, Cd5	39	( $\overline{\text{C2}}$ $\overline{\text{C5}}$ $\overline{\text{C8}}$ ( $\overline{\text{C3}}$ + $\overline{\text{C4}}$ ) )
73	Cd6, Cd7	156	Directory
74	Cd8, Cd9	155	Directory
75	Cd10, Cd11	87	D1, D2
77	Cd12, Cd13	88	D3, D4
77	Cd14, Cd15	89	D5, D6
78	Cd16, Cd17		
79	Cd18, Cd19	30	Ecw
80	Cd20, Cd21	115	Ecw (Scope)
81	Cd22, Cd23	104	En

## 920 Directory (continued)

19	(En + $\textcircled{\text{En}}$ )	114	Int
43	End	110	Ioc
110	Eom	114	Ir
109	[ Eom C10 $\overline{\text{CTT}}$ ]	114	Is
46	Ex	108	Ix
		19	I1w, I2w
40	F1		
112	( $\overline{\text{F1}}$ Int)	72	$\overline{\text{Kf}}$ *
42	( $\overline{\text{F1}}$ F3 $\overline{\text{Ts}}$ )	10	[L1 thru L6]
105	[ $\overline{\text{F1}}$ $\overline{\text{F3}}$ $\overline{\text{Ts}}$ ]	9	[L7 thru L14]
112	( $\overline{\text{F1}}$ Int (T22 - T17) )	12	(L1) thru (L7)
41	F2	11	(L8) thru (L14)
40	F3		
115	$\emptyset 0$ (Scope)	1	Mc, Ms, Mxc
100	$\emptyset 0$	14	Mdt
84	( $\emptyset 0$ Go)	2	Mg
99	( $\emptyset 0$ Po)	86	Mh
112	( $\emptyset 0$ Tp $\overline{\text{Ia}}$ )	13	Mrt, Mwt
112	( $\emptyset 0$ T24 $\overline{\text{Ia}}$ Go)	86	Mt, Mu
43	$\emptyset 1$	2	M0
42	$\emptyset 3$	3	M1 thru M4
43	$\emptyset 4$	4	M5 thru M8
44	$\emptyset 5, \emptyset 6, \emptyset 7$	5	M9 thru M12
		6	M13 thru M16
45	Go	7	M17 thru M20
		8	M21 thru M24
66	[ Halt Light ]	70	( $\overline{\text{M1}}$ Ap)
45	Ht	71	( $\overline{\text{M2}}$ Ap), ( $\overline{\text{M3}}$ Ap)
		72	( $\overline{\text{M4}}$ Ap), ( $\overline{\text{M5}}$ Ap)
47	Ia	73	( $\overline{\text{M6}}$ Ap), ( $\overline{\text{M7}}$ Ap)
111	Ib	74	( $\overline{\text{M8}}$ Ap), ( $\overline{\text{M9}}$ Ap)

75	$(\overline{M10} \text{ Ap}), (\overline{M11} \text{ Ap})$	127	X-Y Selector
76	$(\overline{M12} \text{ Ap}), (\overline{M13} \text{ Ap})$	128	Z Driver
77	$(\overline{M14} \text{ Ap}), (\overline{M15} \text{ Ap})$	129	Z Driver
78	$(\overline{M16} \text{ Ap}), (\overline{M17} \text{ Ap})$	130	Z Driver
79	$(\overline{M18} \text{ Ap}), (\overline{M19} \text{ Ap})$	131	Sense Amp & Discriminator
80	$(\overline{M20} \text{ Ap}), (\overline{M21} \text{ Ap})$	132	Sense Amp & Discriminator
81	$(\overline{M22} \text{ Ap}), (\overline{M23} \text{ Ap})$	133	Sense Amp & Discriminator
70	M1 (Ap + $\overline{F3}$ )	134	Sense Amp & Discriminator
71	M2 (Ap + $\overline{F3}$ ) M3 (Ap + $\overline{F3}$ )	135	Sense Amp & Discriminator
72	M4 (Ap + $\overline{F3}$ ) M5 (Ap + $\overline{F3}$ )	136	Selector Control
73	M6 (Ap + $\overline{F3}$ ) M7 (Ap + $\overline{F3}$ )	137	Selector Control
74	M8 (Ap + $\overline{F3}$ ) M9 (Ap + $\overline{F3}$ )	138	Current & Voltage Regulator
75	M10 (Ap + $\overline{F3}$ ) M11 (Ap + $\overline{F3}$ )	153	Module Locator
76	M12 (Ap + $\overline{F3}$ ) M13 (Ap + $\overline{F3}$ )	154	Module Locator
77	M14 (Ap + $\overline{F3}$ ) M15 (Ap + $\overline{F3}$ )	56	N5
78	M16 (Ap + $\overline{F3}$ ) M17 (Ap + $\overline{F3}$ )	57	N6
79	M18 (Ap + $\overline{F3}$ ) M19 (Ap + $\overline{F3}$ )	58	N7
80	M20 (Ap + $\overline{F3}$ ) M21 (Ap + $\overline{F3}$ )	59	N8
81	M22 (Ap + $\overline{F3}$ ) M23 (Ap + $\overline{F3}$ )	60	N9
		61	N10
		62	N11, N12
		63	N13, N14
		85	Oc
		102	Of
		85	Oxc
		82	01
		100	(01 02 03 04)
		85	$(\overline{01} \overline{02} \overline{03} \overline{04} \overline{1a})$
118	<u>Memory Section</u> Address Decode		
119	Address Decode		
120	X-Y Selector		
121	X-Y Selector		
122	X-Y Selector		
123	X-Y Selector		
124	X-Y Selector		
125	X-Y Selector		
126	X-Y Selector		

101	(01 $\overline{02}$ $\overline{04}$ $\overline{05}$ 06 $\overline{06}$ )	83	06
111	$(\overline{01} \overline{03} \overline{04} \overline{F1} \overline{F3} \overline{T_s} \overline{1a})$	42	(06 $\overline{02}$ )
84	(01 05 $\overline{04}$ )		
84	(01 $\overline{05}$ $\overline{04}$ )	66	[ Parity Light ]
99	(01 $\overline{04}$ )	48	Pg
44	(01 $\overline{04}$ + 03 $\overline{06}$ + $\overline{F1} \overline{F2} \overline{T_s} \overline{Wp}$ )	117	Photo Reader
		139	Pin Loc
		thru	
82	02	152	
112	(02 $\overline{03}$ 04 $\overline{00} \overline{1a}$ )	110	(Pin), (Pot 1), (Pot 2)
100	$(\overline{02} \overline{03} \overline{04} \overline{06})$	116	Priority Interrupt
100	$(\overline{02} \overline{03} \overline{04} \overline{T_s})$	113	P0
112	$(\overline{02} \overline{03} \overline{00} \overline{1a})$	48	P1, P2
		49	P3 thru P6
83	03	50	P7 thru P10
		51	P11 thru P14
83	04		
111	(04 $\overline{05}$ $\overline{06}$ )	34	Q1, Q2, (Q1), (Q2)
		35	Q3, Q4
83	05	13	(Q3 Q4)
42	(05 06 $\overline{F1} \overline{F3} \overline{T_s}$ )	36	Q5, Q6
42	$(\overline{05} \overline{06} \overline{F1} \overline{F3} \overline{T_s} \overline{Q1} \overline{Q2} \overline{Q5})$		
84	(05 06 $\overline{01}$ )	41	Rf, Rt
99	(05 $\overline{06} \overline{03}$ ), (05 06 $\overline{03}$ )	20	$\overline{Rp}$
84	$(\overline{05} \overline{06} \overline{03})$	110	Rti
84	$(\overline{05} \overline{06} \overline{03} \overline{T24})$	14	Rw = (Mg Q2)
84	$(\overline{05} \overline{06} \overline{03} \overline{Tp} \overline{T24} \overline{S8})$	28	R1
93	$(\overline{05} \overline{06} \overline{03}) (\overline{Q1} + \overline{Q2})$ + $\overline{S8} \overline{Q3}$ )	27	R2
		24	R3, R4
		27	R5



920 Directory (continued)

28	R6	37	$(\overline{T_p} \ \overline{T_{24}})$
16	Rtm	43	$(\overline{T_s} \ S_k + P_0 + \phi_4)$
52	Sc, Ss	64	$T_s, \ \overline{T_s^*}$
106	Sk	115	$T_s$ (Scope)
107	Sks	114	$(T_{sm})$
37	$\overline{St}$	15	$(\overline{T_{sm}})$
52	$(S_{xc}), (S_{xn}), (S_{xp})$	15	$(T_{sm} \ \overline{W_p})$
110	$(S_{ys})$	15	$(T_{sm} \ \overline{W_p})$
53	S1	64	$T_{sw}$
54	S2	32	$\overline{T_{sw}}$
55	S3, S4	64	$T_{sy}, \ \overline{T_{sy}}, \ (\overline{T_{sy}})$
56	S5	115	$T_0$ (Scope)
57	S6	38	$T_0$
58	S7	99	$T_0^*, \ \overline{T_0}$
59	S8	101	$T_1$
60	S9	44	$(T_1 \ \overline{S_8} + T_0)$
61	S10	44	$(T_5 - T_0)$
62	S11	37	$T_9$
60	$[\overline{S_{11}} \ \overline{S_{12}} \ \overline{S_{13}}]$	39	$T_{10}$
62	S12	39	$T_{14}$
63	S13, S14	38	$(T_{21} + T_{22})$
		38	$(T_{22} - T_{17})^*$
38	$T_p, \ T_p^*, \ \overline{T_p}$	38	$T_{23}$
43	$(T_p \ \text{End} \ \overline{S_k})$	99	$T_{24}, \ \overline{T_{24}}, \ T_{24}^*$
115	$(T_p \ \text{End} \ G_o \ M_o \ \overline{S_k})$ (Scope)	46	$(T_{24} \ \overline{G_o} \ \overline{H_t} \ (\overline{K_f}) \ \overline{T_s} )$
45	$[T_p \ \overline{T_s} \ H_t]$		

920 Directory (continued)

16	Wc	19	$(\overline{W_9} \ \overline{W_{10}} \ \overline{W_{11}} \ \overline{W_{12}} \ \overline{W_{13}} \ \overline{W_{14}})$
29	$[W_c (T_{22} - T_{17})]$	21	$W_{10}$
26	$W_e, \ W_{es}$	31	$W_{11}$
29	$W_f$	26	$W_{12}$
16	$(\overline{W_f} (W_0 + W_9))$	18	$W_{13}, \ W_{14}$
21	$W_h$		
21	$W_{hs}$	97	$X_n$
23	$W_n$	98	$X_{nr}$
64	$W_p$	97	$X_w$
14	$W_r$	105	$X_z$
16	$W_s$	70	$[X_z \ Y_z + Y_z \ C_z$ $+ X_z \ C_z + C_z \ A_p$ $+ X_z \ \overline{A_p} \ F_3$ $+ Y_z \ \overline{A_p} \ F_3]$
17	$W_w$		
111	$W_x, \ \overline{W_x}$		
31	$W_0$		
29	$[W_0 \ \overline{W_9} \ W_{10} \ W_{11}]$		
22	$W_4$	111	$Y_x$
32	$(W_4) \ W_4^*$	105	$Y_z$
22	$[W_4 \ T_0]$	30	$\overline{Y_9}$
	$(W_4 \ \overline{W_5} \ \overline{W_6} \ \overline{W_9}$ $+ \overline{W_4} \ W_5 \ \overline{W_6} \ W_9$ $+ W_9 \ W_{10} \ W_{11})$	33	$Z_{w1} \ \text{thru} \ Z_{w6}$
19		33	$Z_{wp}$
	$W_5$		
22	$(\overline{W_5} \ W_6 \ \overline{W_9})$		
32	$W_6$		
30	$W_6$		
25	$W_7, \ W_8$		
30	$W_9$		
21	$[\overline{W_9} \ \overline{W_{10}} \ \overline{W_{11}} \ W_{12} \ \overline{W_{13}}]$		

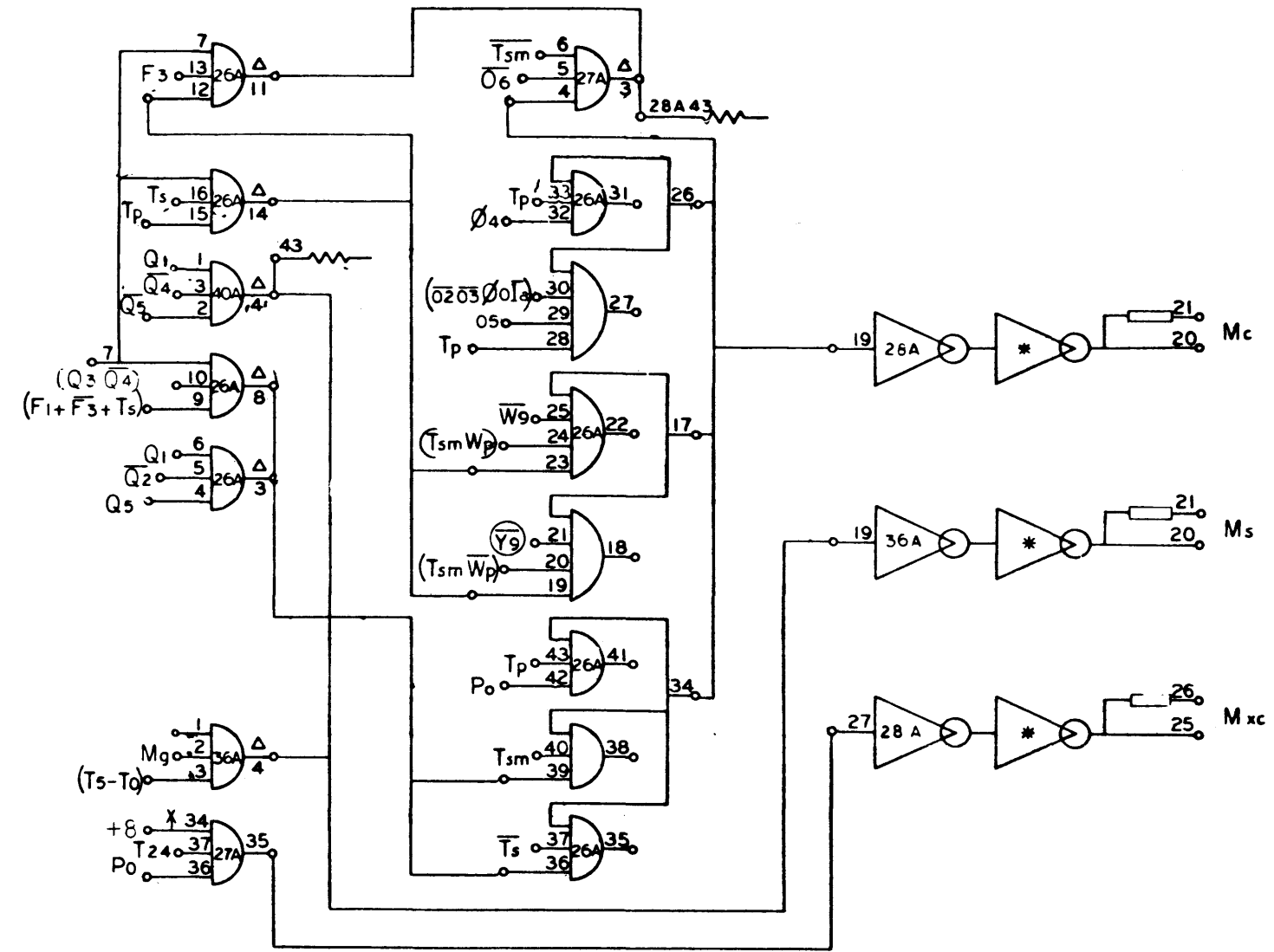
## TAB IDENTIFICATION

A suggestion is that the user of this manual mark up individual Tab sheets with appropriate information concerning signals and page number within Tab

Tab 1	Memory Control, M Registers.
Tab 2	W Buffer.
Tab 3	Pulse Counter (Q) and Phase Counter (F). Phase Control and (T) times.
Tab 4	General Control, P Register and S Register.
Tab 5	C Register and C Register Control.
Tab 6	O Register, command control and (D) flip-flops.
Tab 7	A, B and X Registers and Control.
Tab 8	Computer Control General, Adder, Skip Control Interrupt and Reader Logic.
Tab 9	Memory X, Y Address Decoding and X, Y Selectors.
Tab 10	Memory Z Drivers, Sense amps and Discriminators, Memory Selector Control, and Current and Voltage Regulators.
Tab 11	Pin Locators, Pins Vs Logic Pages.
Tab 12	Module Locator, Directory (use Directory in front), and Page Revision level indicator.
Tab 13	I/O and Memory Signal identification Vs pin identity.
Tab 14	Power Distribution (AC & DC) and replacement Parts Tables.
Tab 15	Control Panel Schematic and assembly, Photo Reader Schematic and replacement Parts Tables.
Tab 16	Computer Modifications when 9149 High speed interlace is incorporated.
Tab 17	Updatings



REVISIONS				10170	F
REV	DESCRIPTION	CHK	DATE	APPROVED	
A	RELEASED TO MFG				
F	SEE REV E.O.				

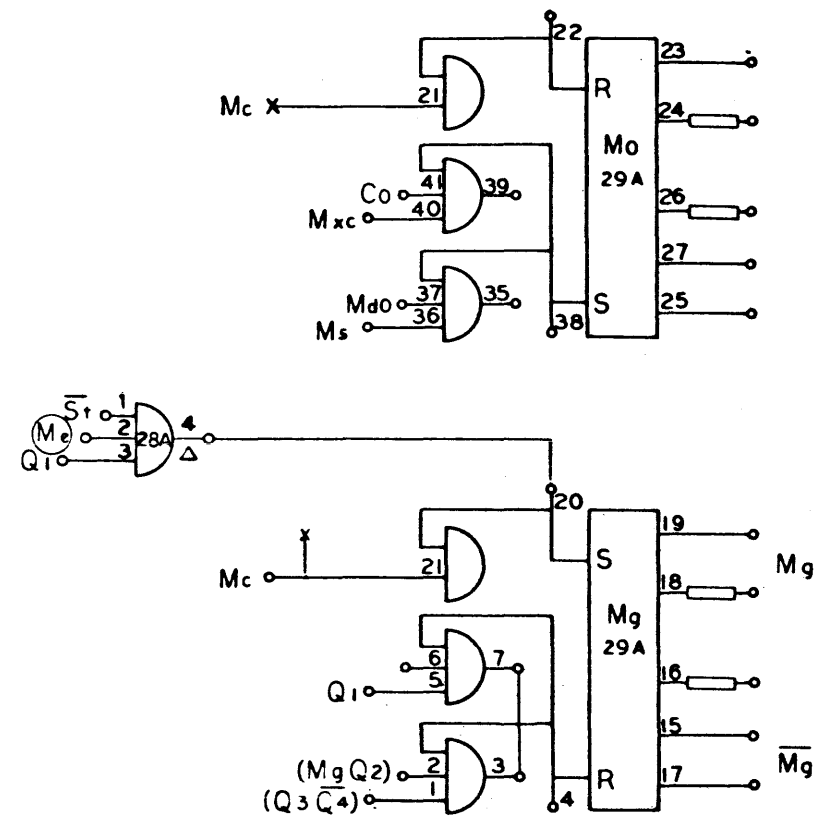


REFERENCE DESIGNATIONS ARE ABBREVIATED. PREFIX THE DESIGNATION WITH UNIT NUMBER OR ASSEMBLY DESIGNATION OR BOTH. (MIL. STD. 16B)

910-920  
Page 1  
F

NO. REG	DRAWING NO.	DESCRIPTION	REFERENCE DESIGNATION	ITEM NO.
MATERIAL LIST				
NOTES UNLESS SPECIFIED		DRAWN	<div style="text-align: center;"> <p>1342 FIFTEENTH STREET SANTA MONICA, CALIFORNIA</p> <p>TITLE <b>DIAGRAM, LOGIC COMPUTER</b></p> </div>	
1. TOLERANCES XX ± .000 ANGLULAR SEE 2.000 ± .01"		CHECK		
2. BREAK ALL SHARP EDGES BY APPROX		APPR.		
3. MACH. SURFACES ✓				
4. ALL DIM. IN INCHES				
MODEL NO.	920	SIZE	DWG NO.	F
NEXT ASSY.		SCALE	DO NOT SCALE DRAWING	SHEET

REVISIONS			
REV	DESCRIPTION	CHK	DATE
A	RELEASED TO MFG		4/1/63

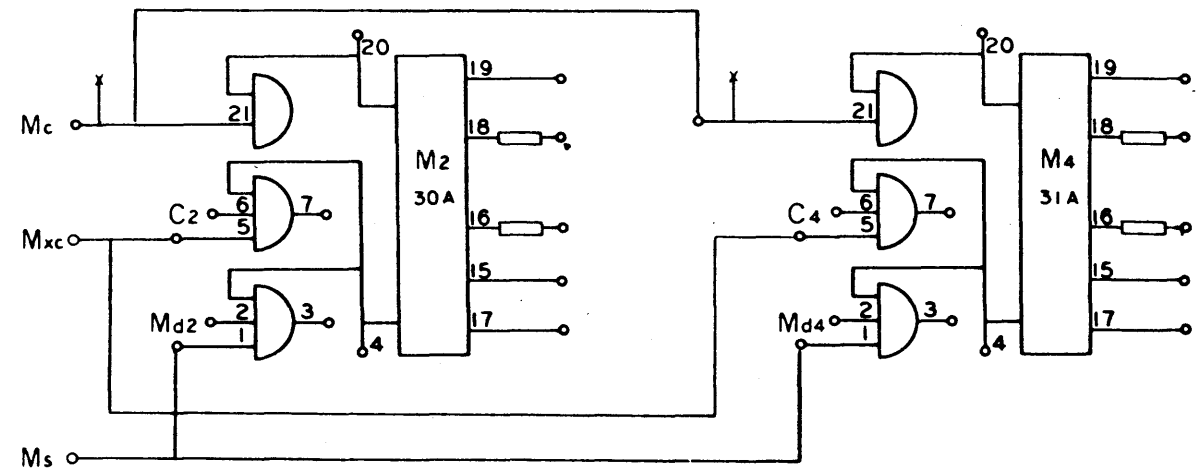
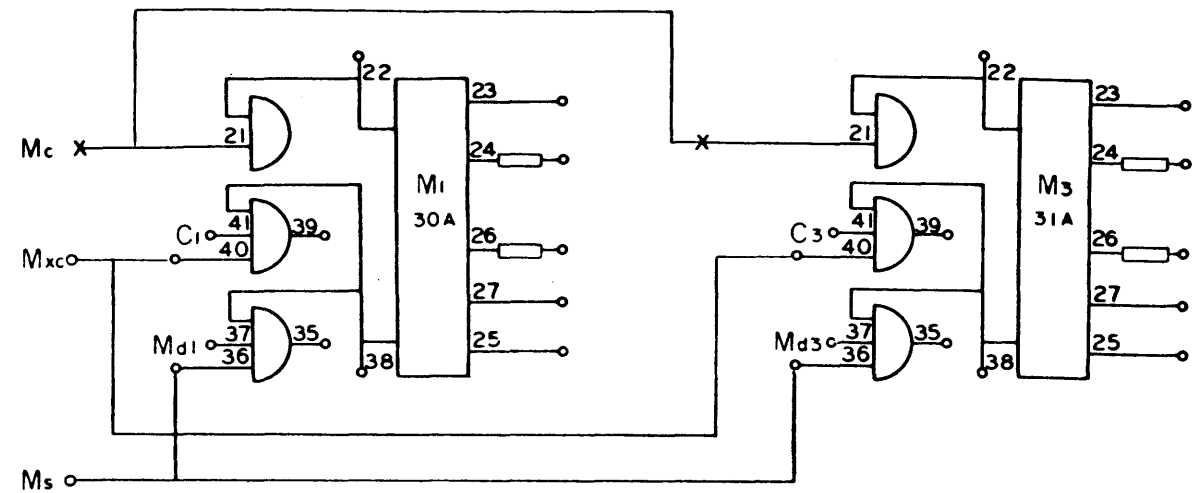


910-920  
Page 2

101701 A

NO. REQ.	DRAWING NO.	DESCRIPTION	REFERENCE DESIGNATION	ITEM NO.
MATERIAL LIST				
NOTES UNLESS SPECIFIED		DRAWN		
1. TOLERANCES .XX ± .005 ANGULAR .XX ± .010 2. BREAK ALL SHARP EDGES 3/16 APPROX. 3. BACK SURFACES ✓ 4. ALL DIM. IN INCHES		CHECK	1242 FIFTEENTH STREET SANTA MONICA CALIFORNIA TITLE DIAGRAM, LOG : COMPUTER	
MODEL NO.	920	APPR.	SIZE	DWG. NO.
NEXT ASSY.			D	101701 A
SCALE		DO NOT SCALE DRAWING		SHEET

REV		DESCRIPTION		CHR	DATE	APPROVED
A		RELEASED TO MFG			1/15/62	[Signature]

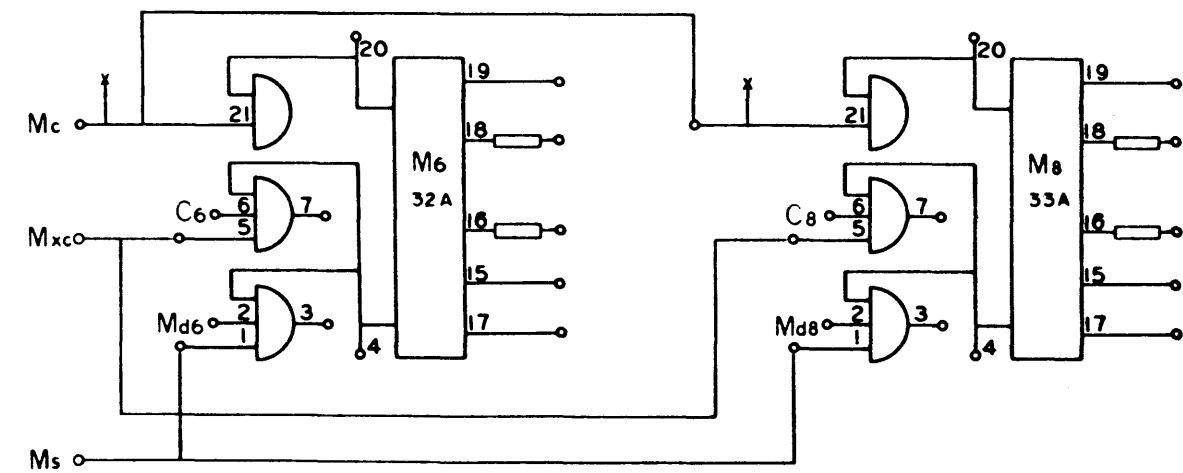
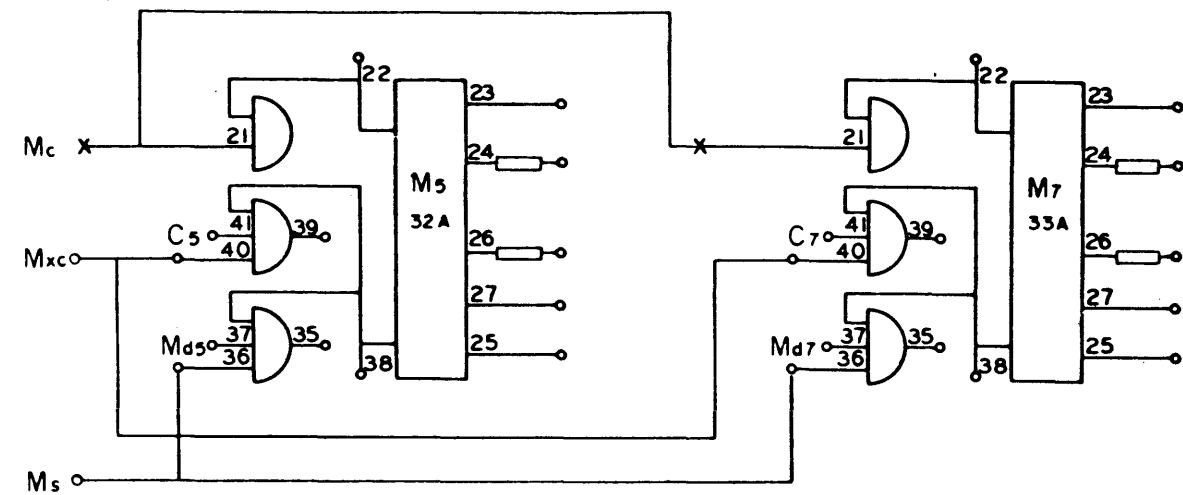


910-920  
Page 3

NO. REQ.	DRAWING NO.	DESCRIPTION	REFERENCE DESIGNATION	ITEM NO.	
MATERIAL LIST					
NOTES UNLESS SPECIFIED		DRAWN	<div style="text-align: center;"> <p>1522 FIFTEENTH STREET SANTA MONICA CALIFORNIA</p> <p><b>DIAGRAM, LOGIC COMPUTER</b></p> </div>		
1. TOLERANCES XX = 0.005 ANGLULAR XXX = 0.010 ± 1/2"		CHECK			[Signature]
2. BREAK ALL SHARP EDGES 0.10 APPROX.		APPR			[Signature]
3. MACH. SURFACES ✓ 4. ALL DIM. IN INCHES					
MODEL NO.	920	SIZE	DWG NO.	A	
NEXT ASSY.		SCALE	DO NOT SCALE DRAWING	SHEET	

101701 | A |

REVISIONS			101701	A
REV	DESCRIPTION	CHK	DATE	APPROVED
A	RELEASED TO MFG			

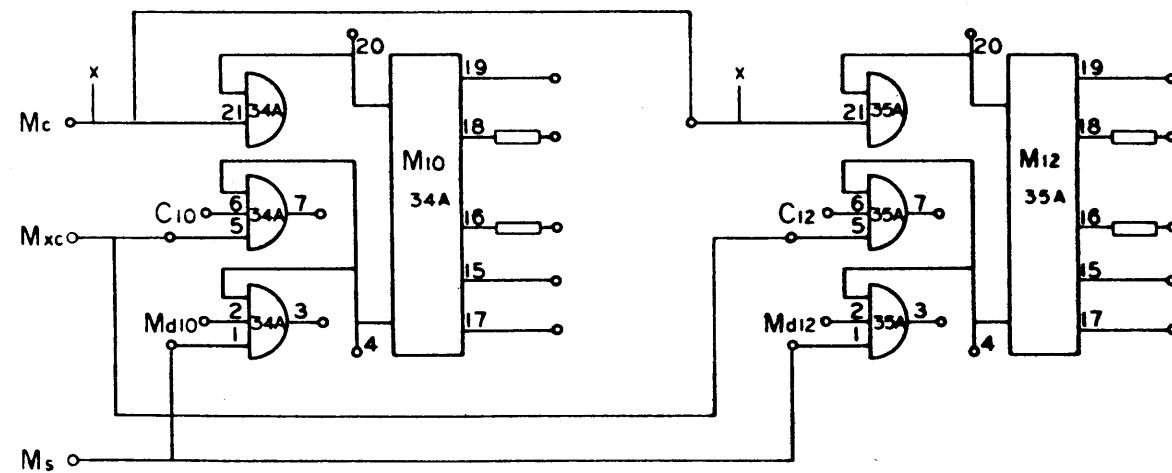
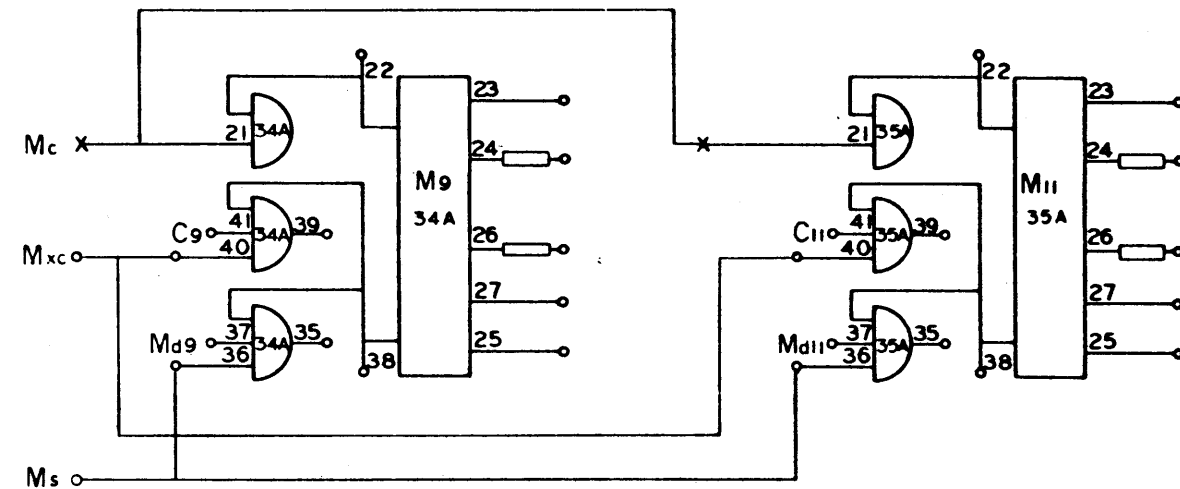


910-920  
Page 4

101701  
A

NO. DES.	DRAWING NO.	DESCRIPTION	REFERENCE DESIGNATION	ITEM NO.
MATERIAL LIST				
NOTES UNLESS SPECIFIED: 1. UNLESS INDICATED OTHERWISE, DIMENSIONS ARE IN INCHES. 2. BREAK ALL SHARP EDGES AND APPROX. 3. HATCH SURFACES ✓ 4. ALL SURFACES TO BE FINISHED		DRAWN: [Signature] CHECK: [Signature] APPR: [Signature]	DATE: 11/13/62 DATE: 11/19/62	<b>SDS</b> SCIENTIFIC DATA SYSTEMS 1642 FIFTEENTH STREET SANTA MONICA CALIFORNIA TITLE: <b>DIAGRAM, LOGIC COMPUTER</b>
MODEL NO.	920	SIZE	DWG. NO.	A
NEXT ASSY.		SCALE	DO NOT SCALE DRAWING	SHEET

REVISIONS		101701		A
REV	DESCRIPTION	CHK	DATE	APPROVED
A	RELEASED TO MFG			<i>[Signature]</i>



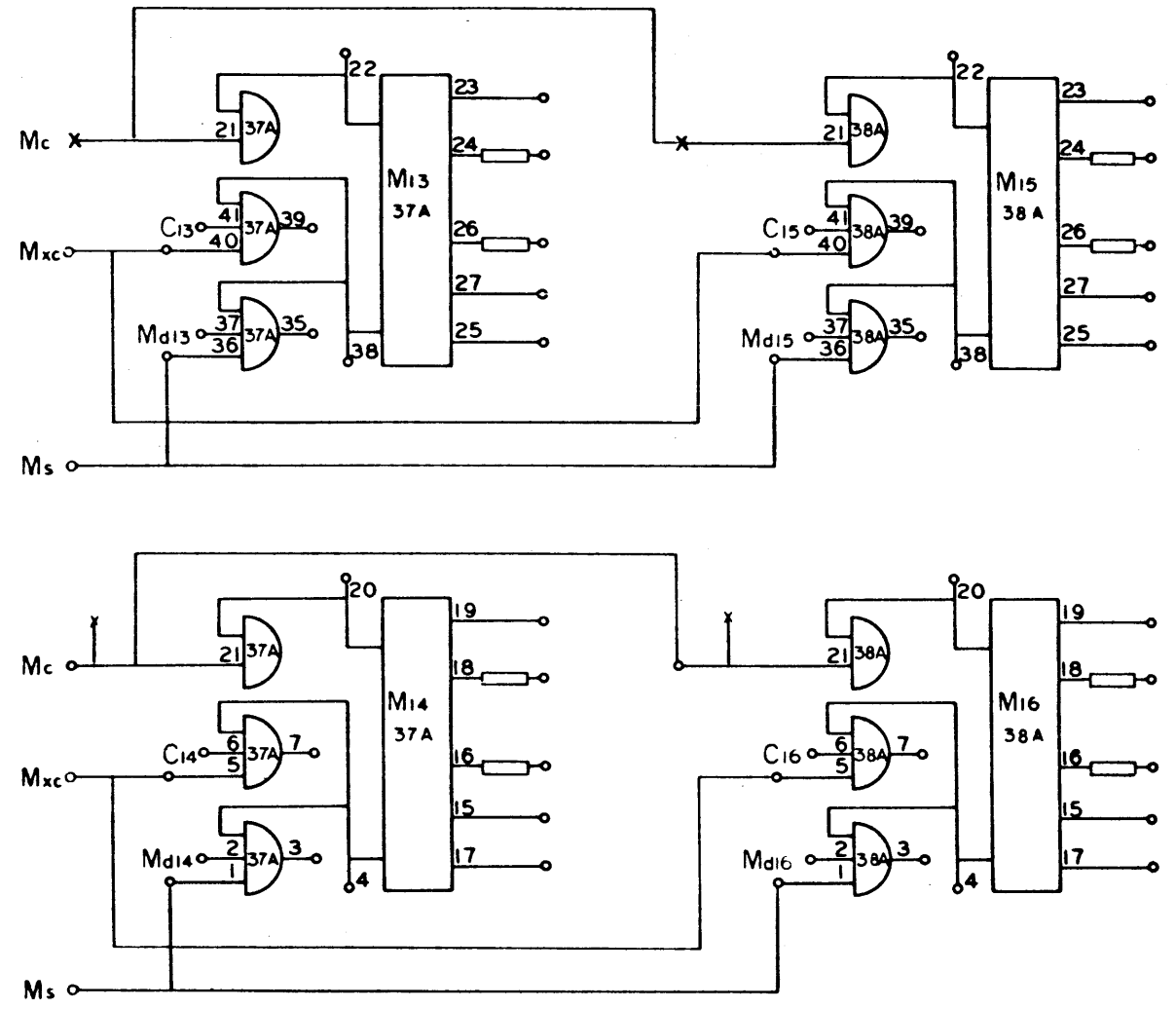
910-920  
Page 5

NO. REV.	DRAWING NO.	DESCRIPTION	REFERENCE DESIGNATION	ITEM NO.
MATERIAL LIST				
NOTES UNLESS SPECIFIED		DRAWN	<b>SDS</b> SCIENTIFIC DATA SYSTEMS 1925 FIFTEENTH STREET SANTA MONICA CALIFORNIA TITLE <b>DIAGRAM LOGIC COMPUTER</b>	
1. TOLERANCES .01 ± .000 ANGULAR .005 ± .000 ± 1/4"		CHECK <i>[Signature]</i>		
2. BREAK ALL SHARP EDGES .010 APPROX. 3. MACH. SURFACES ✓ 4. ALL DIM. IN INCHES		APPR. <i>[Signature]</i>		
MODEL NO.	920	SIZE	D	DWG NO.
NEXT ASSY.				101701
SCALE		DO NOT SCALE DRAWING		SHEET

101701 1A 1



REVISIONS				
REV	DESCRIPTION	CHK	DATE	APPROVED
A	RELEASED TO MFG		11/2/62	[Signature]

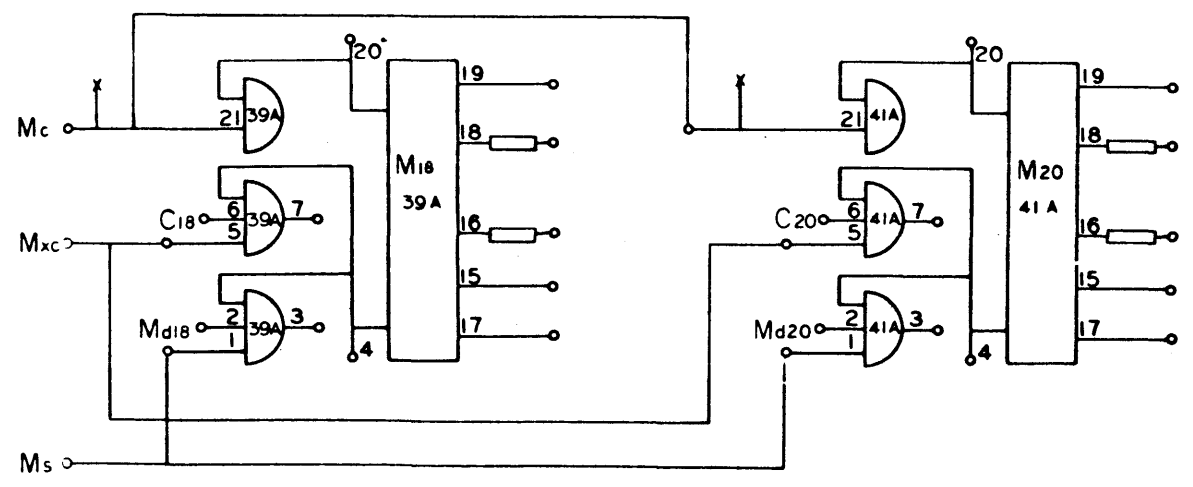
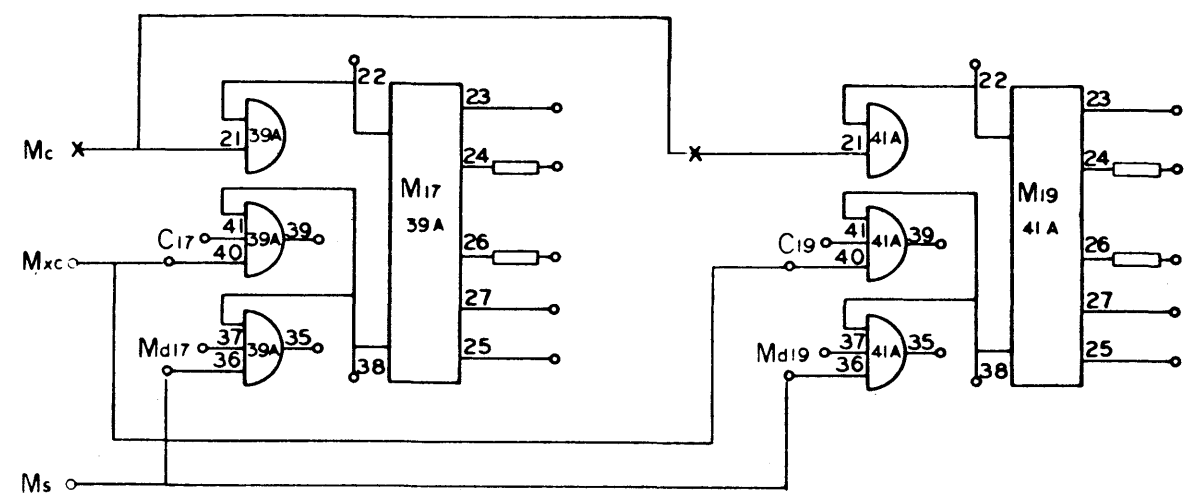


910-920  
Page 6

101701 A

NO. REQ.	DRAWING NO.	DESCRIPTION	REFERENCE DESIGNATION	ITEM NO.
MATERIAL LIST				
NOTES UNLESS SPECIFIED		DRAWN	CHECK	APPR.
1. TOLERANCES DIM ± 0.005 ANGULAR ± 1/2°		[Signature]	[Signature]	[Signature]
2. BREAK ALL SHARP EDGES 0.015 RADIUS		SDS SCIENTIFIC DATA SYSTEMS 1542 FIFTEENTH STREET SANTA MONICA CALIFORNIA		
3. HATCH SURFACES ✓		TITLE DIAGRAM, LOGIC COMPUTER		
4. ALL DIM. IN INCHES		MODFL. NO. 920		
NEXT ASSY.		SIZE D DWS NO. 101701 SHEET A		
SCALE		DO NOT SCALE DRAWING		

REV		DESCRIPTION		CHK	DATE	APPROVED
A		RELEASED TO MFG				

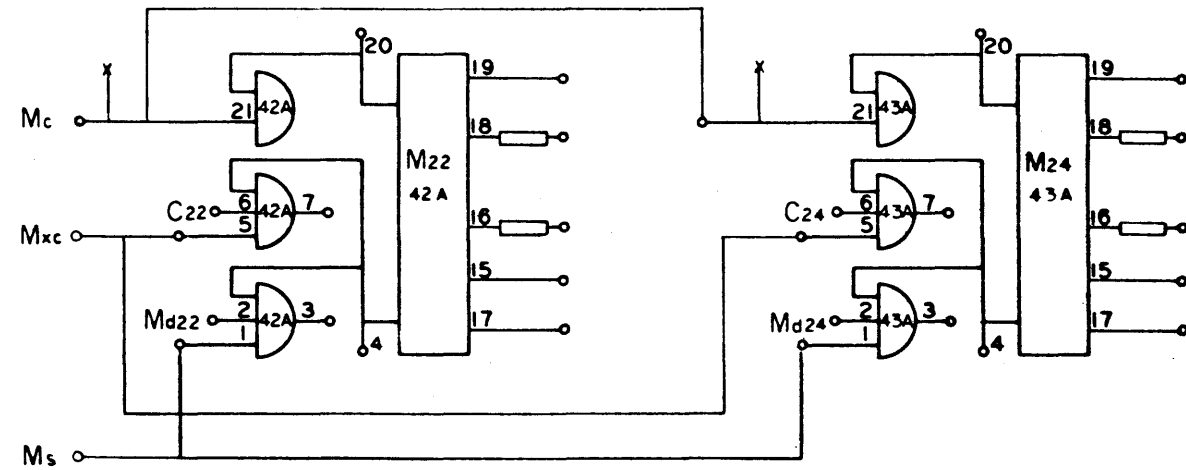
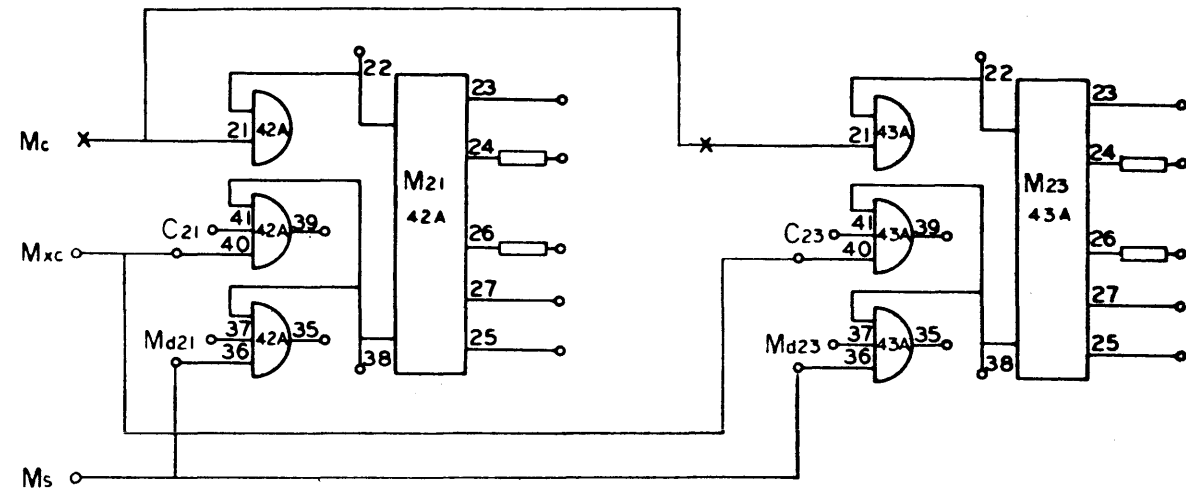


910-920  
Page 7

NO. REQ.	DRAWING NO.	DESCRIPTION	REFERENCE DESIGNATION	ITEM NO.
MATERIAL LIST				
NOTES UNLESS SPECIFIED		DRAWN	<b>SDS</b> SCIENTIFIC DATA SYSTEMS 1742 FIFTEENTH STREET SANTA MONICA CALIFORNIA <b>DIAGRAM, LOGIC COMPUTER</b>	
1. TOLERANCES XX - 0.005 ANGULAR SEE 2. DIM		CHECK		
2. BREAK ALL SHARP EDGES 3. DIM APPROX 4. MACH. SURFACES ✓ 5. ALL DIM. IN INCHES		APPR.		
MODEL NO.	920	SCALE	DWG. NO.	A
NEXT ASSY.		SCALE	DO NOT SCALE DRAWING	SHEET

101701A

REVISIONS				101701	A
REV	DESCRIPTION	CHK	DATE	APPROVED	
A	RELEASED TO MFG		1/13	[Signature]	

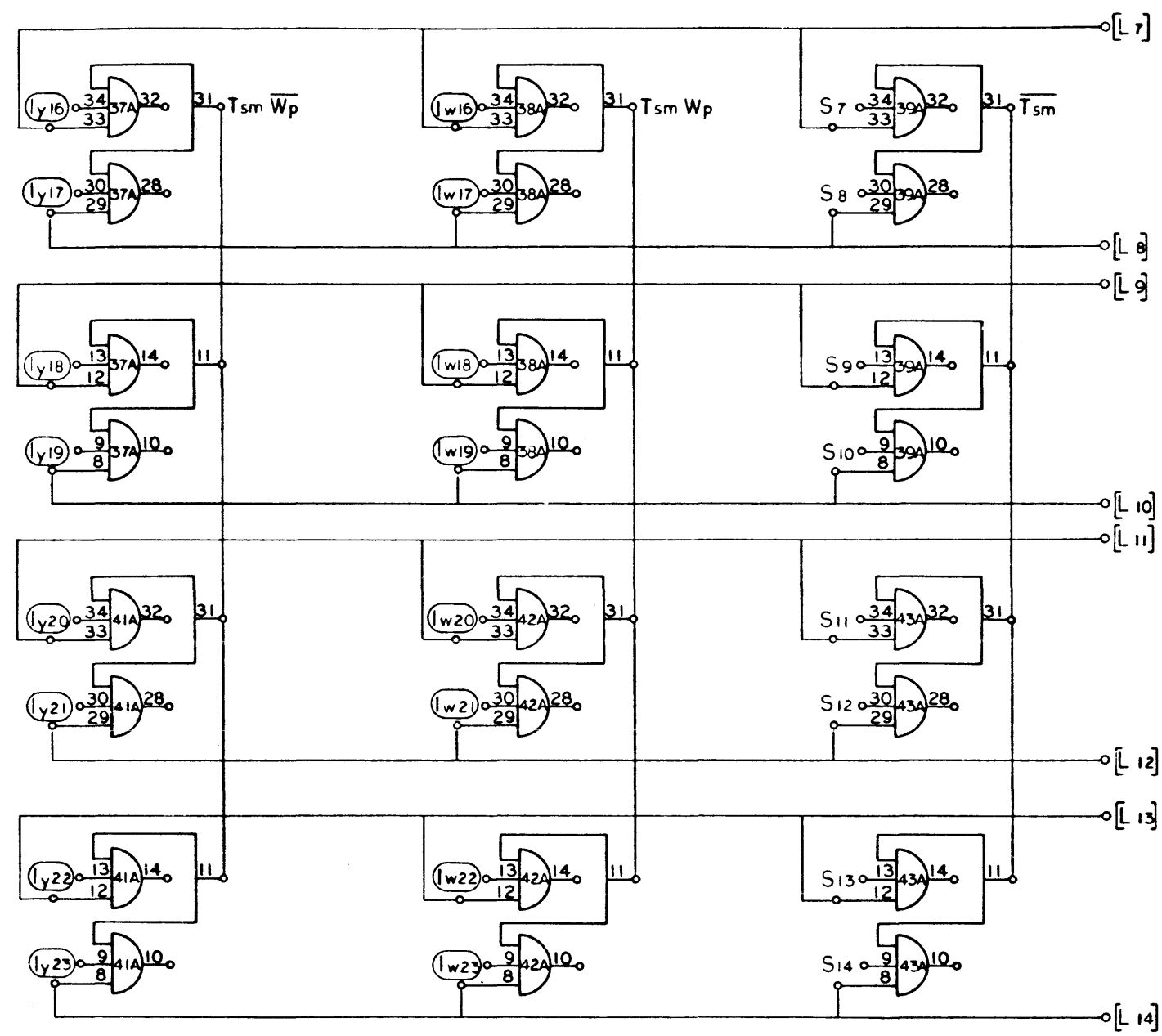


910-920  
Page 8

101701 A

NO. REV.	DRAWING NO.	DESCRIPTION	REFERENCE DESIGNATION	ITEM NO.
MATERIAL LIST				
NOTES UNLESS SPECIFIED		DRAWN		
1. TOLERANCES .05 ± .000 ANGULAR .002 ± .000 2. BREAK ALL SHARP EDGES .010 APPROX. 3. HATCH SURFACES ✓ 4. ALL DIM. IN INCHES		CHECK	1545 FIFTEENTH STREET SANTA MONICA CALIFORNIA TITLE DIAGRAM LOGIC COMPUTER	
MODEL NO. 920		APPR. [Signature]	DATE 1/19	SCALE
NEXT ASSY.		SEE DWS NO. D 101701		SHEET A
			DO NOT SCALE DRAWING	SHEET

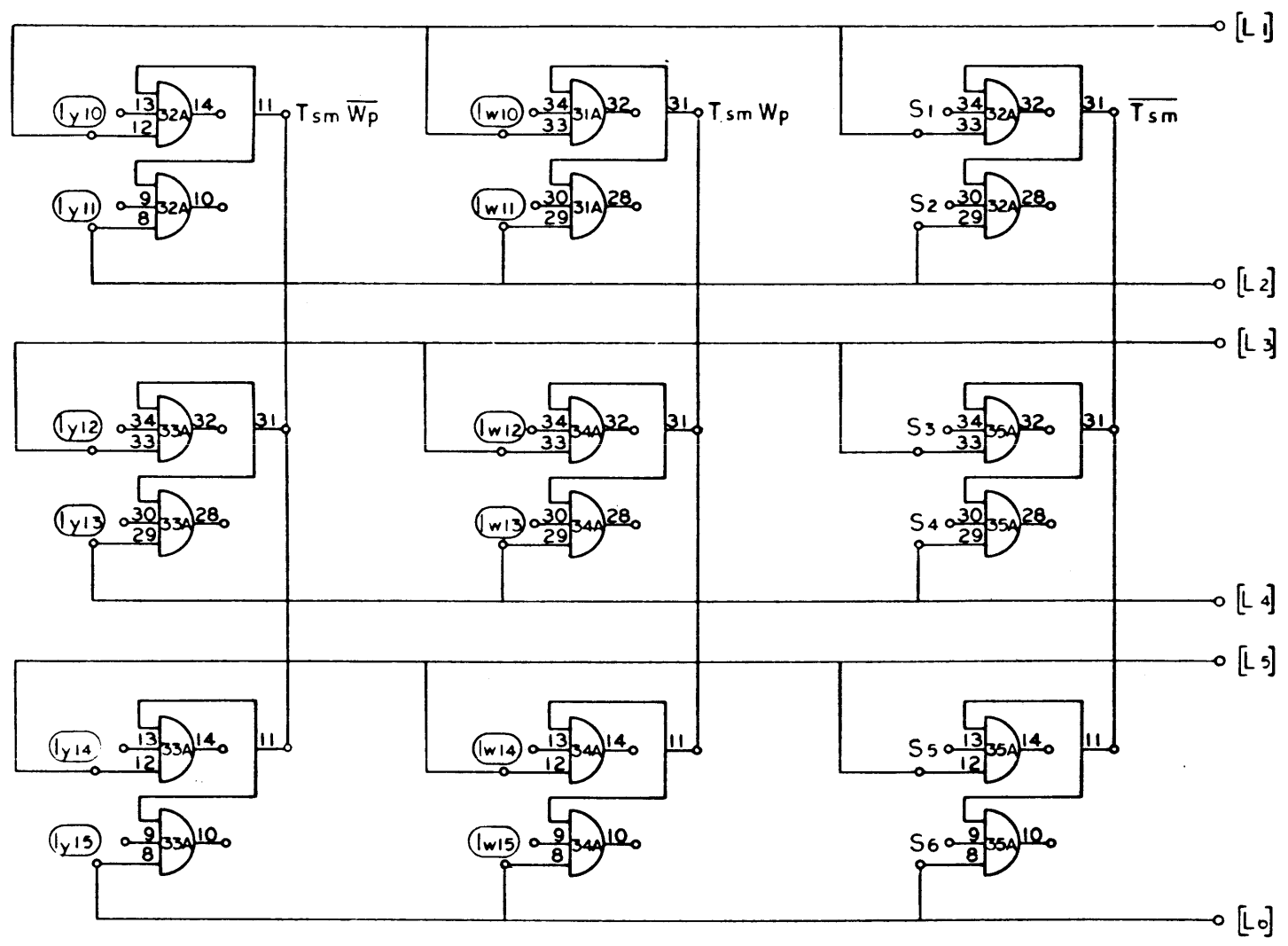
REVISIONS				01701	A
REV	DESCRIPTION	CHK	DATE	APPROVED	
A	RELEASED TO VFS				



910-920  
Page 9

NO. REG.	DRAWING NO.	DESCRIPTION	REFERENCE DESIGNATION	ITEM NO.
NOTES UNLESS SPECIFIED				
1. TOLERANCES XX = .030 XXX = .010		ANGULAR ± 1/2°	DRAWN: [Signature]	
2. BREAK ALL SHARP EDGES D10 APPROX		3. MACH. SURFACES ✓	CHECK: [Signature]	
4. ALL DIMS IN INCHES		APPR: [Signature]		
MATERIAL LIST				
<b>SDS</b> SCIENTIFIC DATA SYSTEMS 1542 FIFTEENTH STREET, SANTA MONICA, CALIFORNIA				
TITLE <b>DIAGRAM, LOGIC COMPUTER</b>				
MODEL NO. 920		SIZE D DWG NO. 101701		
NEXT ASSY		SCALE DO NOT SCALE DRAWING SHEET		

REVISIONS			
REV	DESCRIPTION	CHK	DATE
A	RELEASED TO MFG		

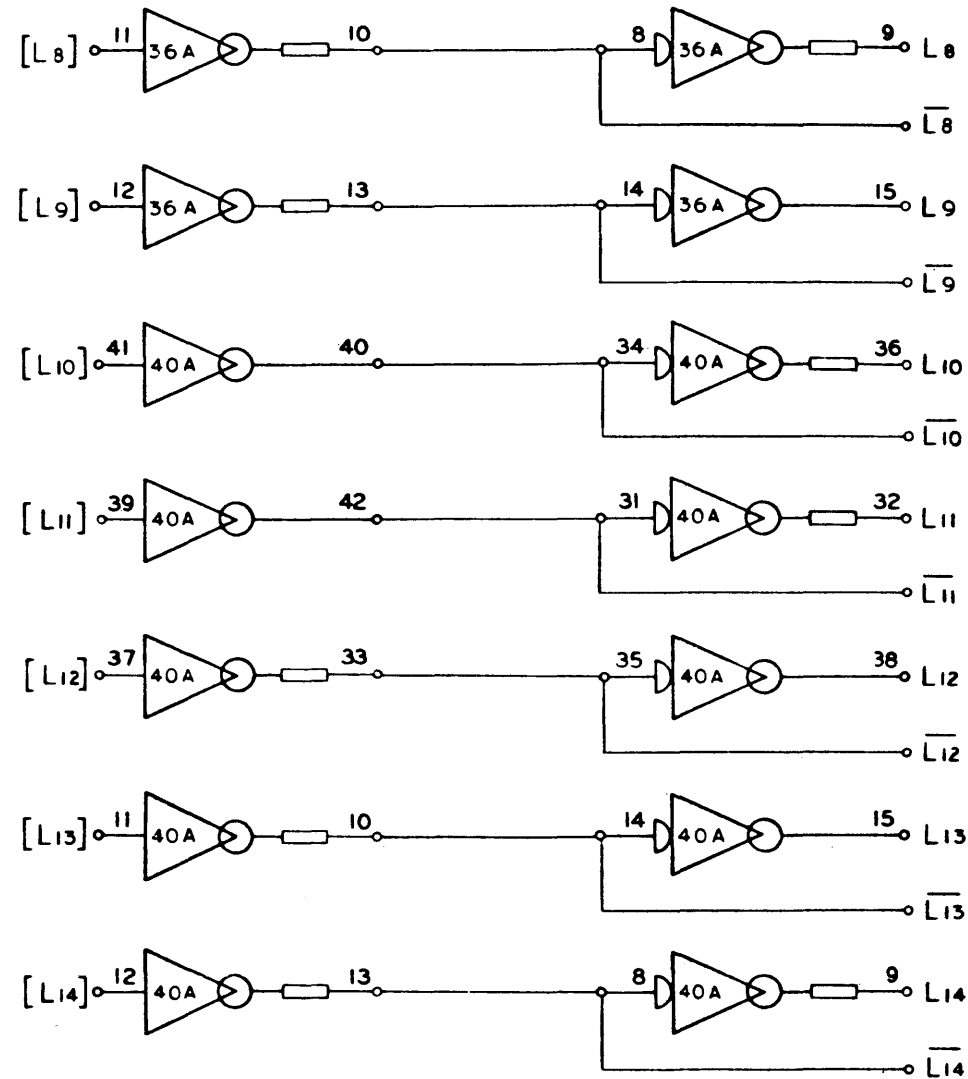


910-920  
Page 10

101701 A

NO. REQ.	DRAWING NO.	DESCRIPTION	REFERENCE DESIGNATION	ITEM NO.
MATERIAL LIST				
NOTES UNLESS SPECIFIED		DRAWN	CHECK	APPR
1. TOLERANCES XX ± 0.00 ANGULAR XXX ± 0.10 2 1/2°				
2. BREAK ALL SHARP EDGES 0.10 APPROX				
3. MACH. SURFACES ✓				
4. ALL DIM. IN INCHES				
MODEL NO. 920		SIZE D		DWS NO. 101701
NEXT ASSY.		SCALE DO NOT SCALE DRAWING		SHEET A

REVISIONS				101701	A
REV	DESCRIPTION	CHK	DATE	APPROVED	
A	RELEASED TO MFG				

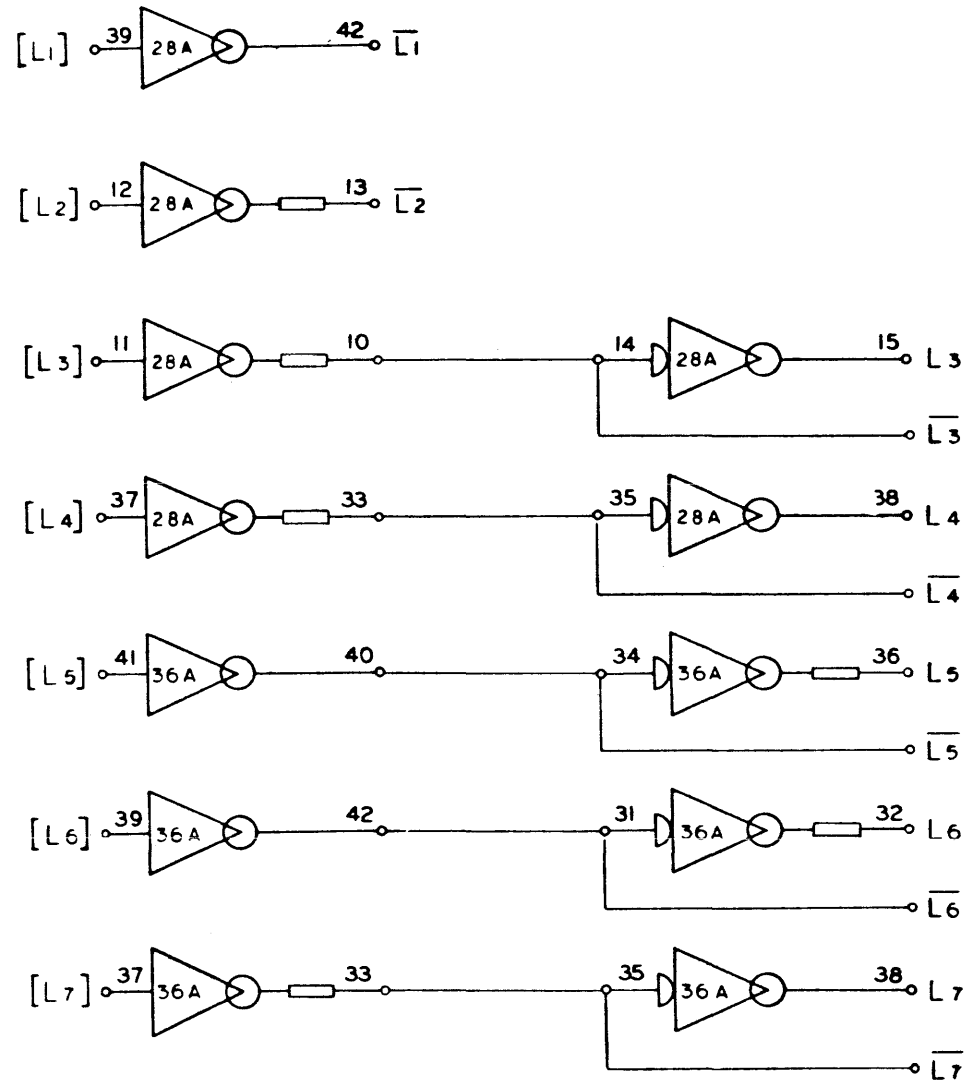


910 - 920  
Page 11

NO. REQ.	DRAWING NO.	DESCRIPTION	REFERENCE DESIGNATION	ITEM NO.
MATERIAL LIST				
NOTES UNLESS SPECIFIED		DRAWN	<b>SDS</b> SCIENTIFIC DATA SYSTEMS 1542 FIFTEENTH STREET SANTA MONICA, CALIFORNIA	
1. TOLERANCES 25 ± 0.00 ANGULAR 100 ± 0.00	CHECK	<i>[Signature]</i>	DATE	<i>1/18/62</i>
2. BREAK ALL SHARP EDGES BY APPROX.	APPR.	<i>[Signature]</i>	DATE	<i>1/18</i>
3. MACH. SURFACES ✓	TITLE DIAGRAM, LOGIC COMPUTER			
4. ALL DIM. IN INCHES	MODEL NO. 920		SIZE D	DWG NO. 101701
NEXT ASSY.				A
SCALE			DO NOT SCALE DRAWING	SHEET

101701-1A

REV		DESCRIPTION		CHK	DATE	APPROVED	REVISIONS	C1701	A
A		RELEASED TO MFG							

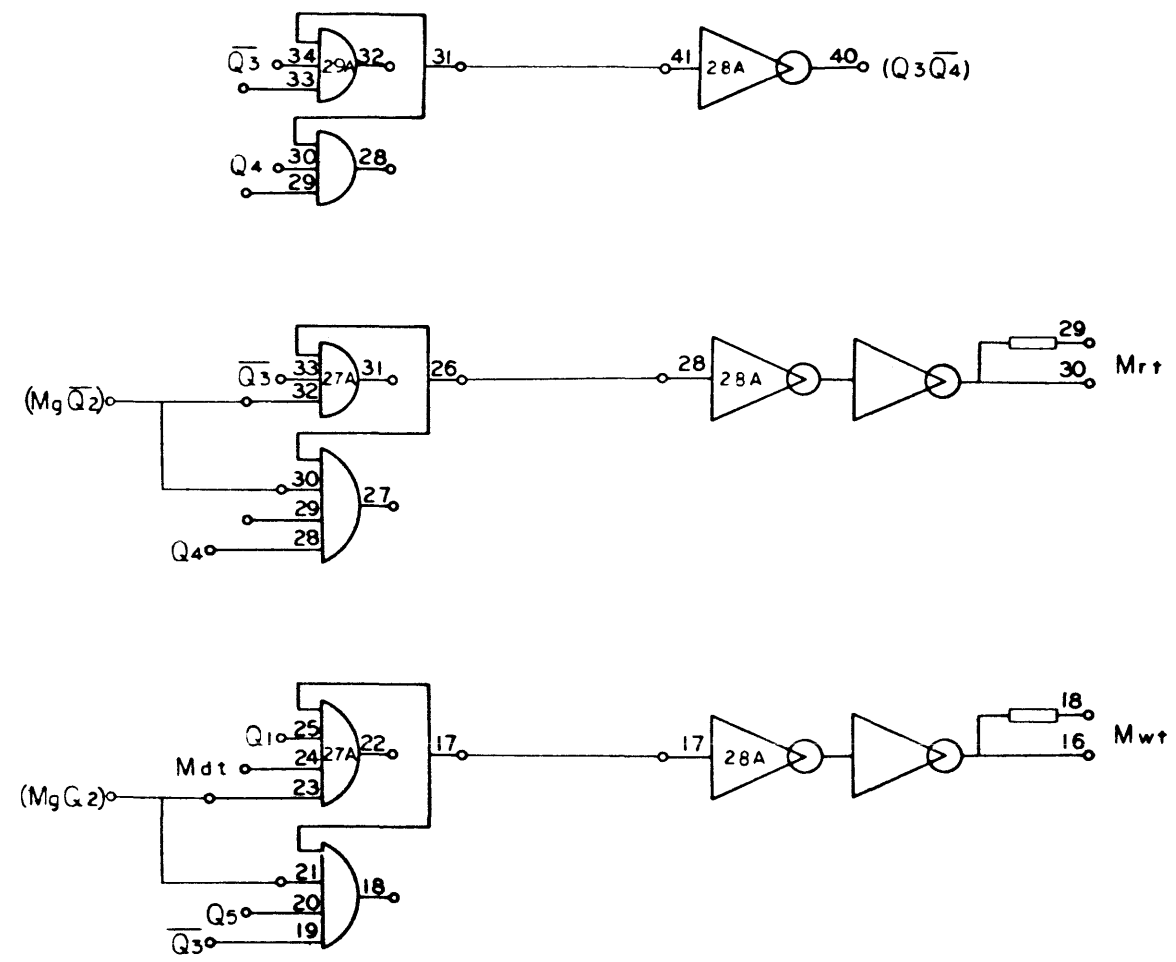


910-920  
Page 12

101701 A

NO. REQ.	DRAWING NO.	DESCRIPTION	REFERENCE DESIGNATION	ITEM NO.
MATERIAL LIST				
NOTES UNLESS SPECIFIED		DRAWN	<b>SDS</b> SCIENTIFIC DATA SYSTEMS 1542 FIFTEENTH STREET, SANTA MONICA, CALIFORNIA	
1. TOLERANCES .XX ± 0.00 ANGULAR .XX ± 0.10 2 1/2° 2. BREAK ALL SHARP EDGES 3/16 APPROX. 3. MACH. SURFACES ✓ 4. ALL DIM. IN INCHES		CHECK		
		APPR.	DIAGRAM LOGIC COMPUTER	
MODEL NO.	920	SIZE	DWG. NO.	A
NEXT ASSY.		SCALE	DO NOT SCALE DRAWING	SHEET

REVISIONS				0170	D
REV	DESCRIPTION	CHK	DATE	APPROVED	
A	RELEASED TO MFG				
D	SEE REV E.O.				

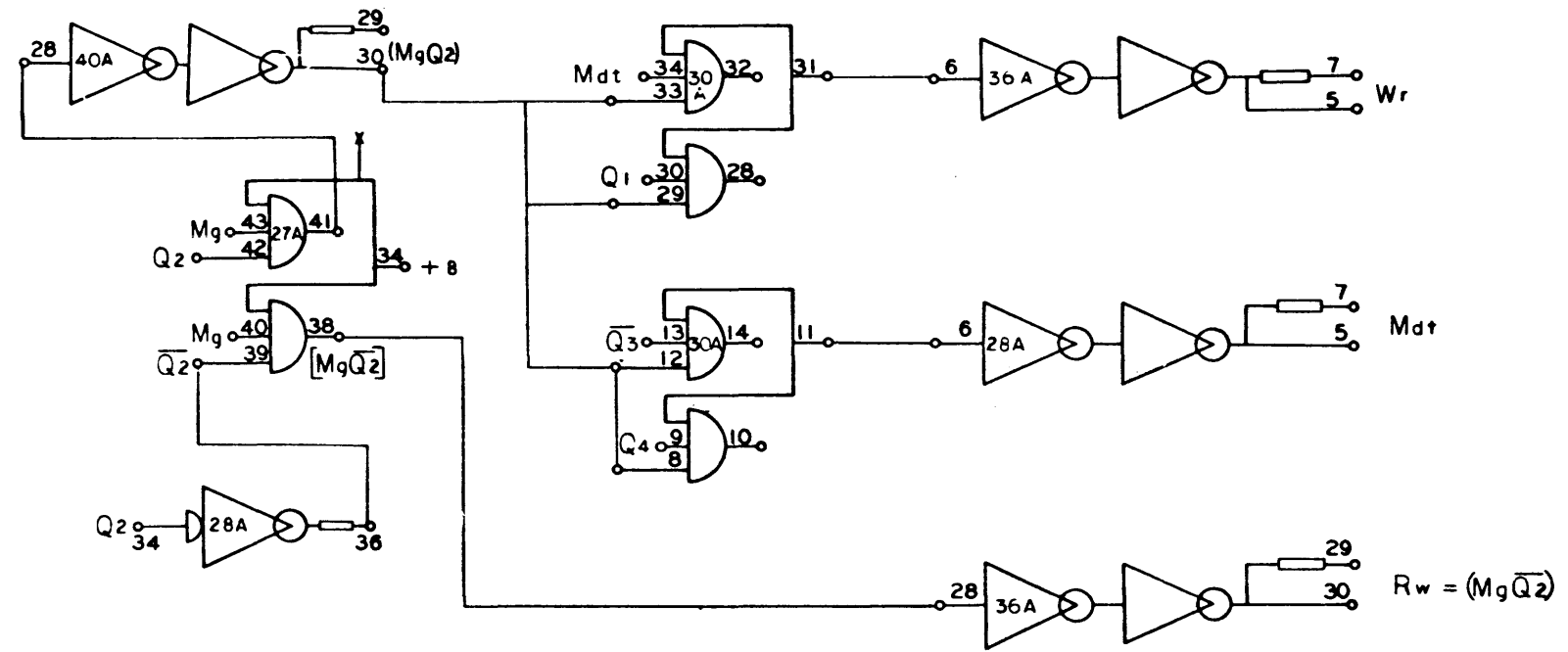


910-920  
Page 13  
D

NO. REG	DRAWING NO.	DESCRIPTION	REFERENCE DESIGNATION	ITEM NO.
MATERIAL LIST				
NOTES UNLESS SPECIFIED		DRAWN	<div style="text-align: center;"> <p>1842 FIFTEENTH STREET SANTA MONICA CALIFORNIA</p> </div>	
1. TOLERANCES XX - DIM ANGULAR .005 - DIM ± .1°		CHECK		
3. BREAK ALL SHARP EDGES 0.10 APPROX 4. MACH SURFACES ✓ 5. ALL DIM. IN INCHES		APPR		
MODEL NO. 920		TITLE		
NEXT ASSY.		DIAGRAM, LOGIC COMPUTER		
		SIZE	DWG NO.	
		D	101701	D
		SCALE	DO NOT SCALE DRAWING	SHEET



REVISIONS				101701	A
REV	DESCRIPTION	CHR	DATE	APPROVED	
A	RELEASED TO MFG	JK	1/1	1/1	JK

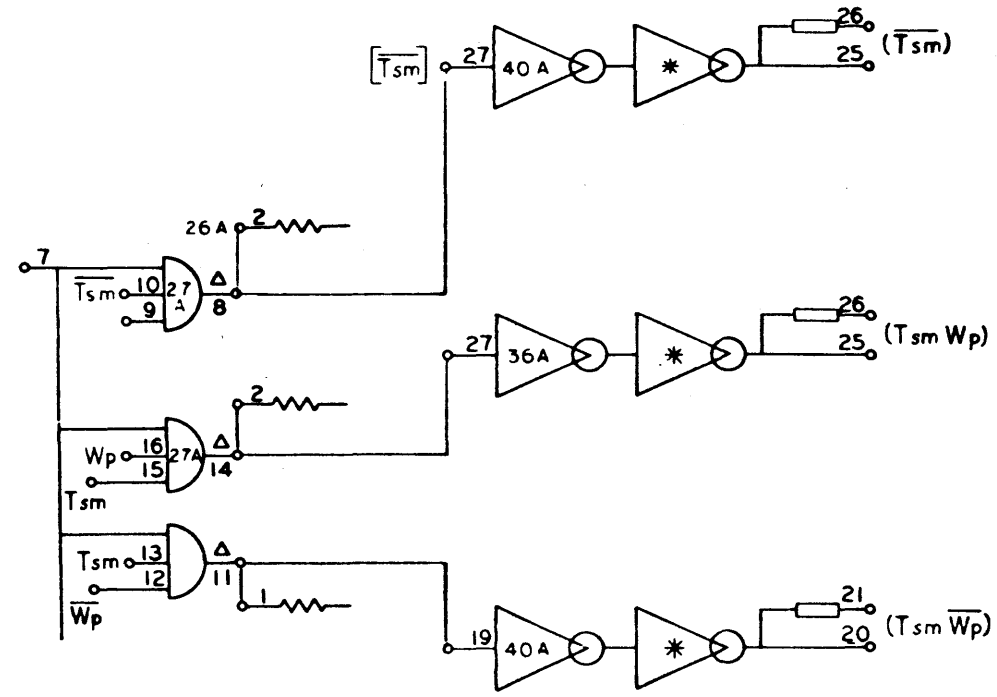


910-920  
Page 14

101701 A

NO. REQ.	DRAWING NO.	DESCRIPTION	REFERENCE DESIGNATION	ITEM NO.
MATERIAL LIST				
NOTES UNLESS SPECIFIED		DRAWN	<b>SDS</b> SCIENTIFIC DATA SYSTEMS 1542 FIFTEENTH STREET SANTA MONICA, CALIFORNIA	
1. TOLERANCES .XX - .000 ANGULAR .XXX - .010 ± 1/2°		CHECK <i>JK</i> 1/1/62		
2. BREAK ALL SHARP EDGES 3. HATCH SURFACES ✓ 4. ALL DIMS IN INCHES		APPR. <i>JK</i> 1/1/62		
MODEL NO. 920		TITLE		
NEXT ASSY.		DIAGRAM LOGIC COMPUTER		
		SIZE	DWG NO.	
		D	101701	A
		SCALE	DO NOT SCALE DRAWING	SHEET

REVISIONS				101701	A
REV	DESCRIPTION	CHK	DATE	APPROVED	
A	RELEASED TO MFG				

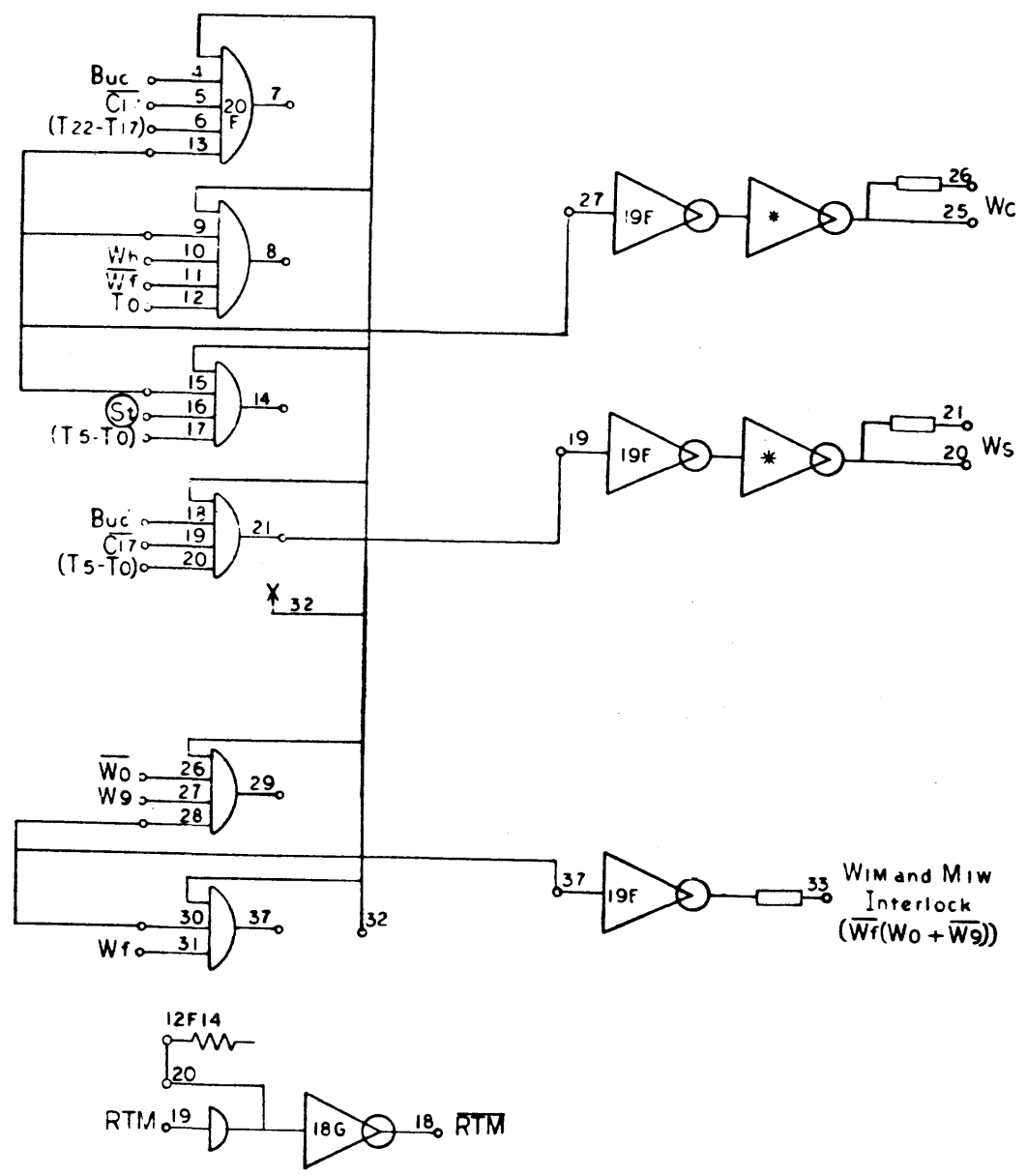


910 - 920  
Page 15

NO. REQ.	DRAWING NO.	DESCRIPTION	REFERENCE DESIGNATION	ITEM NO.
MATERIAL LIST				
NOTES UNLESS SPECIFIED		DRAWN	<b>SDS</b> SCIENTIFIC DATA SYSTEMS 1525 FIFTEENTH STREET SANTA MONICA CALIFORNIA	
1. TOLERANCES XX ± 0.00 ANGULAR XXX ± 0.10		CHECK	TITLE	
2. BREAK ALL SHARP EDGES .510 APPROX		APPR	DIAGRAM LOGIC COMPUTER	
3. MACH. SURFACES ✓				
4. ALL DIM. IN INCHES			MODEL NO.	SIZE
			920	D
			NEXT REV.	DWG NO.
				101701
			SCALE	SHEET
			DO NOT SCALE DRAWINGS	A

101701-1A-1

REV		DESCRIPTION		REVISIONS		101701		M	
REV	DESCRIPTION	CHK	DATE	APPROVED					
A	RELEASED TO MFG								
M	SEE REV E.O.								

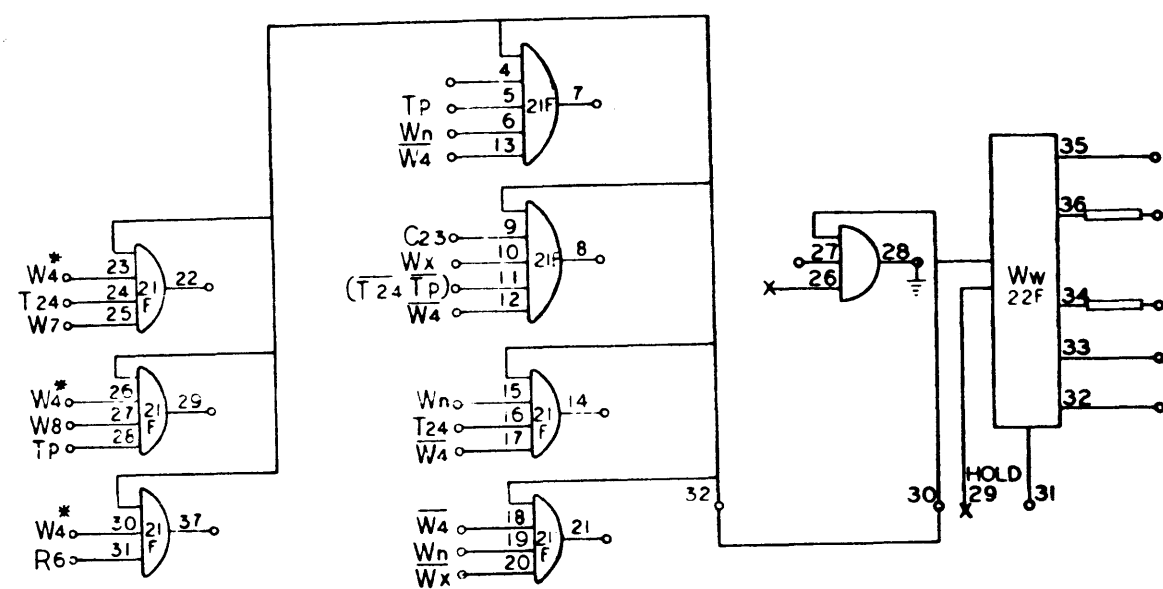


920  
Page 16  
M

101701 M

NO. REV	DRAWING NO.	DESCRIPTION	REFERENCE DESIGNATION	ITEM NO.
MATERIAL LIST				
NOTES UNLESS SPECIFIED		DRAWN	CHECK	APPR
1. TOLERANCES XX ± .000 ANGULAR XX ± .010				
2. BREAK ALL SHARP EDGES R10 APPROX				
3. DRAG SURFACES				
4. ALL DIM. IN INCHES				
MODEL NO. 920		SDS SCIENTIFIC DATA SYSTEMS 1942 FIFTEENTH STREET SANTA MONICA CALIFORNIA		TITLE DIAGRAM, LOGIC COMPUTER
NEXT ASSY.		SIZE D	DWG NO. 101701	M
SCALE		DO NOT SCALE DRAWING		SHEET

REVISIONS				101701	A
REV	DESCRIPTION	CHK	DATE	APPROVED	
A	RELEASED TO MFG				

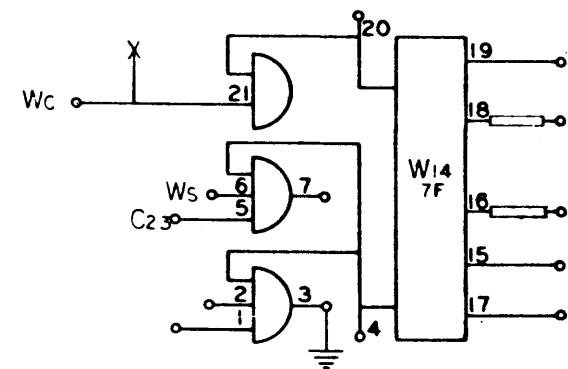
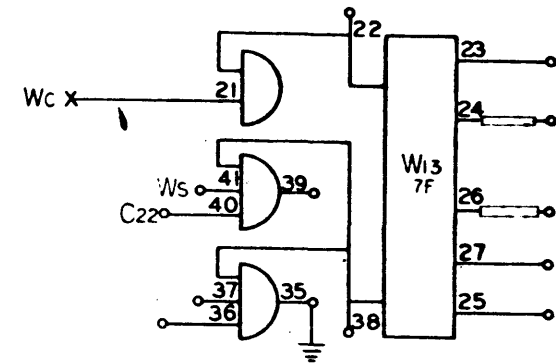


920  
Page 17

NO. REV.	DRAWING NO.	DESCRIPTION	REFERENCE DESIGNATION	ITEM NO.
MATERIAL LIST				
NOTES UNLESS SPECIFIED 1. TOLERANCES .10 ± .005 ANGULAR .002 ± .002 2.75 2. BREAK ALL SHARP EDGES 3. HATCH SURFACES 4. ALL DIM. IN INCHES		DRAWN CHECK APPR.	DATE 1/13/62 1/19/62	TITLE <b>SDS</b> SCIENTIFIC DATA SYSTEMS 1540 FIFTEENTH STREET SANTA MONICA CALIFORNIA <b>DIAGRAM, LOGIC COMPUTER</b>
MODEL NO.	920	SIZE	DWG NO.	A
NEXT ASSY.		SCALE	DO NOT SCALE DRAWING	SHEET

101701/A

REVISIONS				101701	A
REV	DESCRIPTION	CHK	DATE	APPROVED	
A	RELEASED TO MFG	<i>[Signature]</i>	<i>[Date]</i>	<i>[Signature]</i>	

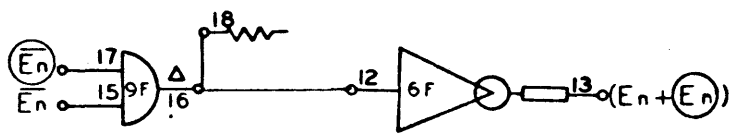
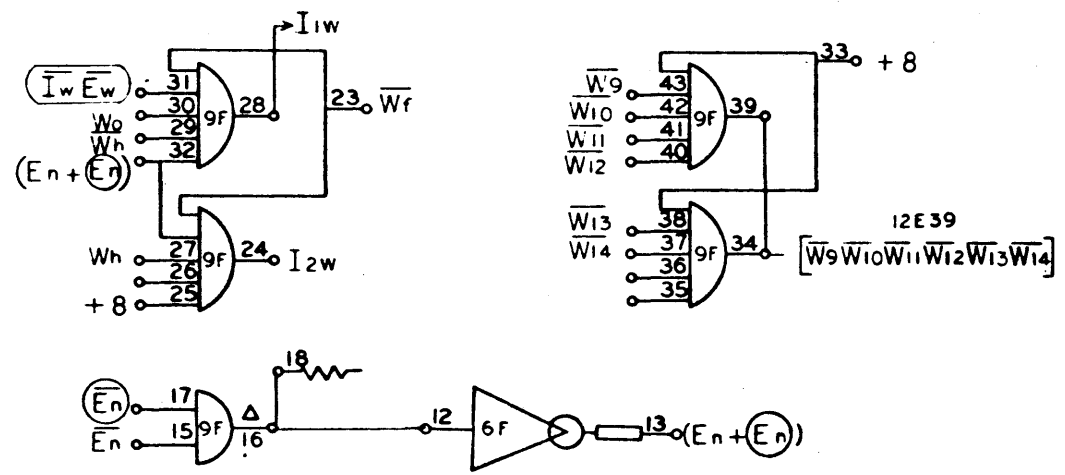
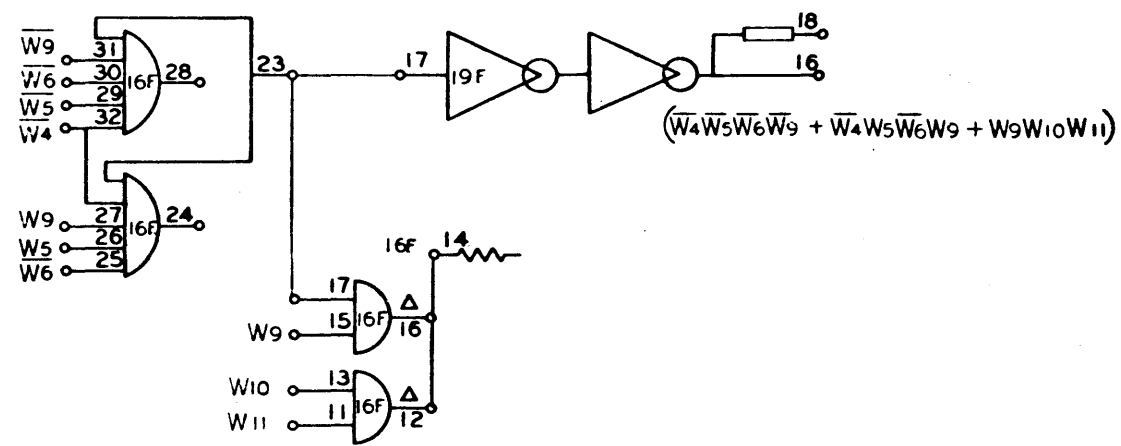


920  
Page 18

NO. REQ.	DRAWING NO.	DESCRIPTION	REFERENCE DESIGNATION	ITEM NO.
MATERIAL LIST				
NOTES UNLESS SPECIFIED		DRAWN	 <small>1542 FIFTEENTH STREET SANTA MONICA CALIFORNIA</small>	
1. TOLERANCES .01 ± .000 ANGULAR .015 ± .010 2. BREAK ALL SHARP EDGES Ø10 APPROX 3. BACK SURFACES ✓ 4. ALL DIM. IN INCHES		CHECK	TITLE	
		APPR	<b>DIAGRAM, LOGIC COMPUTER</b>	
MODEL NO.		SIZE	DWG NO.	ITEM NO.
920		D	101701	A
NEXT ASSY		SCALE	DO NOT SCALE DRAWING	SHEET

101701 | A |

REVISIONS				101701	A
REV	DESCRIPTION	CHK	DATE	APPROVED	
A	RELEASED TO MFG				

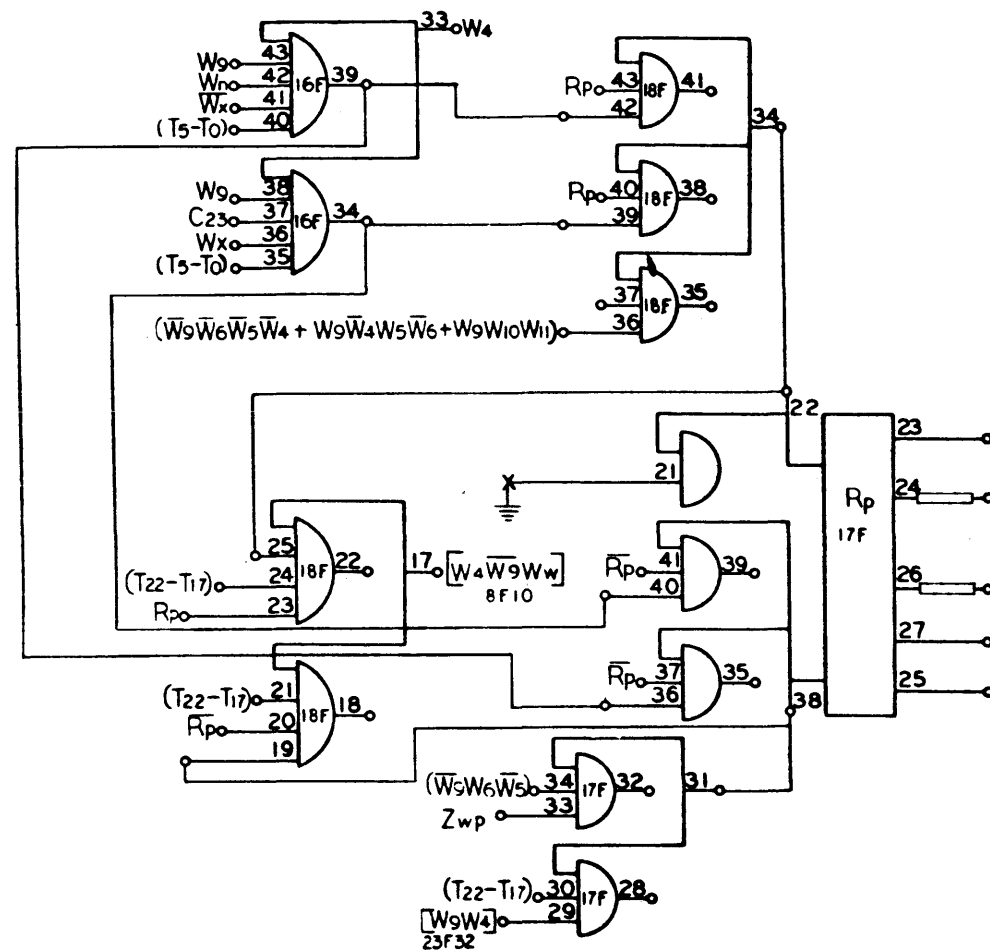


920  
Page 19

NO. REG	DRAWING NO.	DESCRIPTION	REFERENCE DESIGNATION	ITEM NO.
MATERIAL LIST				
NOTES UNLESS SPECIFIED		DRAWN	<b>SDS</b> SCIENTIFIC DATA SYSTEMS <small>1525 FIFTEENTH STREET SANTA MONICA CALIFORNIA</small>	
1. TOLERANCES <small>XX = DIM ANGLULAR          .XXS = DIM</small>		CHECK		
2. BREAK ALL SHARP EDGES <small>0.10 APPROX</small> 3. MACH SURFACES ✓ 4. ALL DIM. IN INCHES		APPR		
		TITLE <b>DIAGRAM, LOGIC COMPUTER</b>		
MODEL NO.	920	SIZE	DWG NO.	A
NEXT ASSY.		SCALE	101701	
			DO NOT SCALE DRAWING	SHEET

101701 1A

REVISIONS			101701	A
REV	DESCRIPTION	CHK	DATE	APPROVED
A	RELEASED TO MFG			

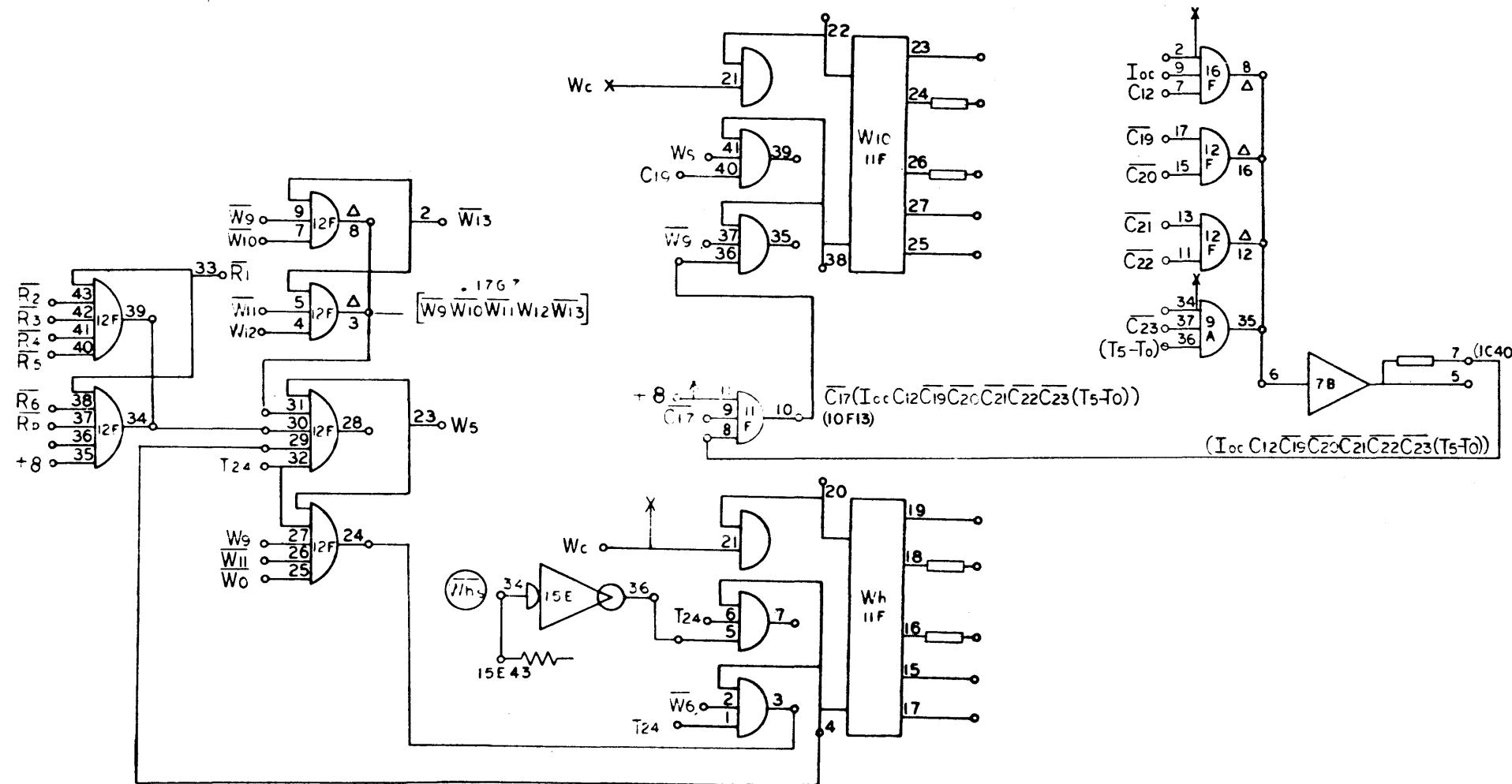


920  
Page 20

NO. RES.	DRAWING NO.	DESCRIPTION	REFERENCE DESIGNATION	ITEM NO.
MATERIAL LIST				
NOTES UNLESS SPECIFIED		DRAWN	SDS SCIENTIFIC DATA SYSTEMS 1542 FIFTEENTH STREET SANTA MONICA CALIFORNIA	
1. TOLERANCES 28 ± .030 ANGULAR 33 ± .010 ± 1/4°		CHECK	TITLE	
2. BREAK ALL SHARP EDGES 3/16 APPROX		APPR	DIAGRAM, LOGIC COMPUTER	
3. BACK SURFACES ✓				
4. ALL DIM IN INCHES				
MODEL NO.	920	SIZE	DWG NO.	A
NEXT ASSY.		SCALE	D 101701	
			DO NOT SCALE DRAWING	SHEET

101701 | A |

REVISIONS				101701	J
REV	DESCRIPTION	CHK	DATE	APPROVED	
A	RELEASED TO MFG				
F	SEE REV E.O.				
J	SEE REV E.O.				



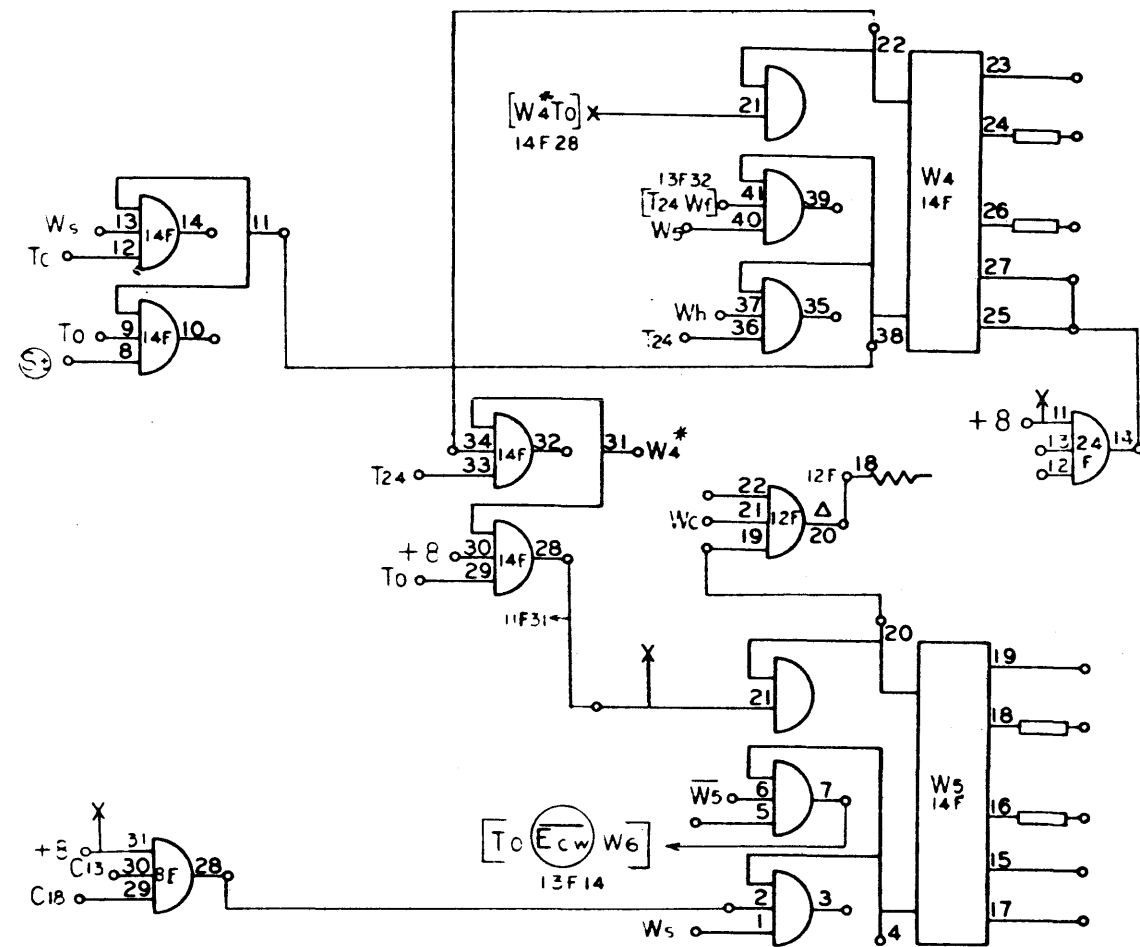
920  
Page 21  
J

NO	DRAWING NO.	DESCRIPTION	REFERENCE DESIGNATION	ITEM NO.
MATERIAL LIST				
NOTES UNLESS SPECIFIED				
1. TOLERANCES .015 ± .002 ANGULAR .015 ± .010 ± .010				
2. BREAK ALL SHARP EDGES 0.10 APPROX				
3. MACH SURFACES ✓				
4. ALL DIM. IN INCHES				
DRAWN		DATE		
CHECK		DATE		
APPR		DATE		
<div style="text-align: center;"> <p>1942 FIFTEENTH STREET SANTA MONICA CALIFORNIA</p> </div>				
TITLE				
DIAGRAM, LOGIC COMPUTER				
MODEL NO.		SIZE		DWG NO.
920		D		101701
NEXT ASSY.		SCALE		SHEET
		DO NOT SCALE DRAWING		

101701 J 1



REVISIONS				101701	A
REV	DESCRIPTION	CHK	DATE	APPROVED	
A	RELEASED TO MFG				

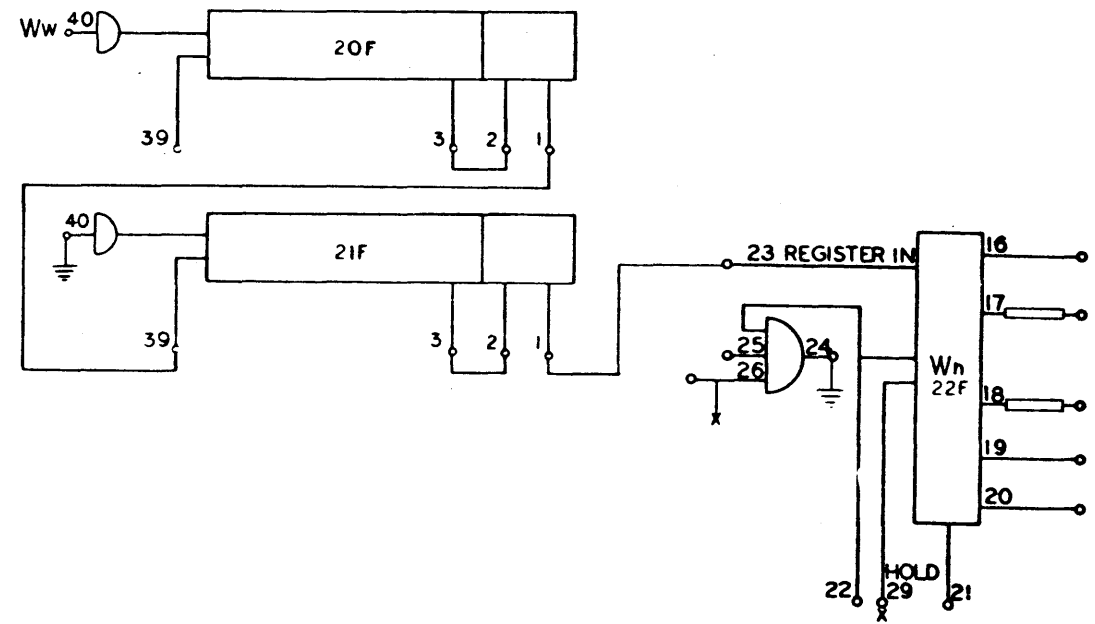


920  
Page 22

NO. REQ.	DRAWING NO.	DESCRIPTION	REFERENCE DESIGNATION	ITEM NO.
MATERIAL LIST				
NOTES UNLESS SPECIFIED 1. TOLERANCES 28 ± 0.00 ANGULAR 30 ± 0.00 2. BREAK ALL SHARP EDGES 3. HATCH SURFACES ✓ 4. ALL DIM. IN INCHES		DRAWN: [Signature] CHECK: [Signature] 1/3/67 APPR: [Signature] 1/11/67	<b>SDS</b> SCIENTIFIC DATA SYSTEMS 1542 FIFTEENTH STREET SANTA MONICA, CALIFORNIA TITLE: <b>DIAGRAM, LOGIC COMPUTER</b>	
MODEL NO.	920	SIZE	DWG. NO.	A
NEXT ASSY.		SCALE	DO NOT SCALE DRAWING	SHEET

101701 | A |

REVISIONS				101701	A
REV	DESCRIPTION	CHK	DATE	APPROVED	
A	RELEASED TO MFG				



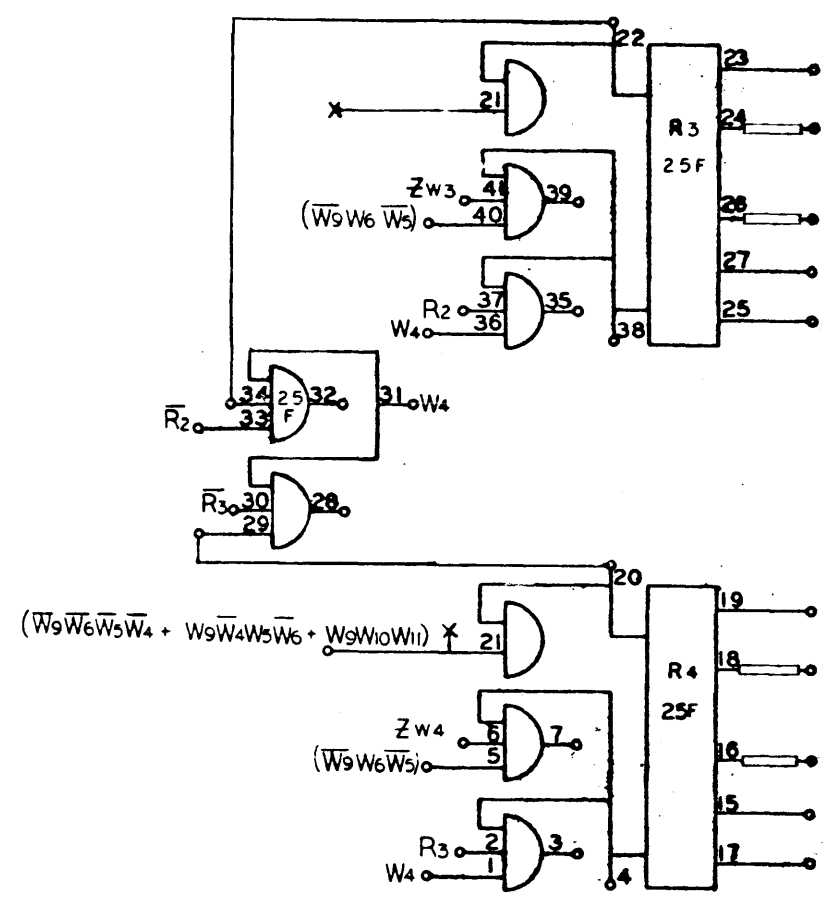
920  
Page 23

NO. REQ.	DRAWING NO.	DESCRIPTION	REFERENCE DESIGNATION	ITEM NO.
MATERIAL LIST				
NOTES UNLESS SPECIFIED		CRAWN	<div style="text-align: center;"> <p>1522 FIFTEENTH STREET SANTA MONICA CALIFORNIA</p> </div>	
1 TOLERANCES		CHECK		
2 BREAK ALL SHARP EDGES		APPR		
3 HATCH SURFACES			<b>DIAGRAM, LOGIC COMPUTER</b>	
4 ALL DIMS IN INCHES				
MODEL NO.	920		SIZE	DWG NO.
NEXT ASSY			D	101701
			SCALE	DO NOT SCALE DRAWING SHEET
				A

101701 | A |

REVISIONS				101701	A
REV	DESCRIPTION	CHK	DATE	APPROVED	
A	RELEASED TO MFG				

REVISIONS				
REV	DESCRIPTION	CHK	DATE	APPROVED



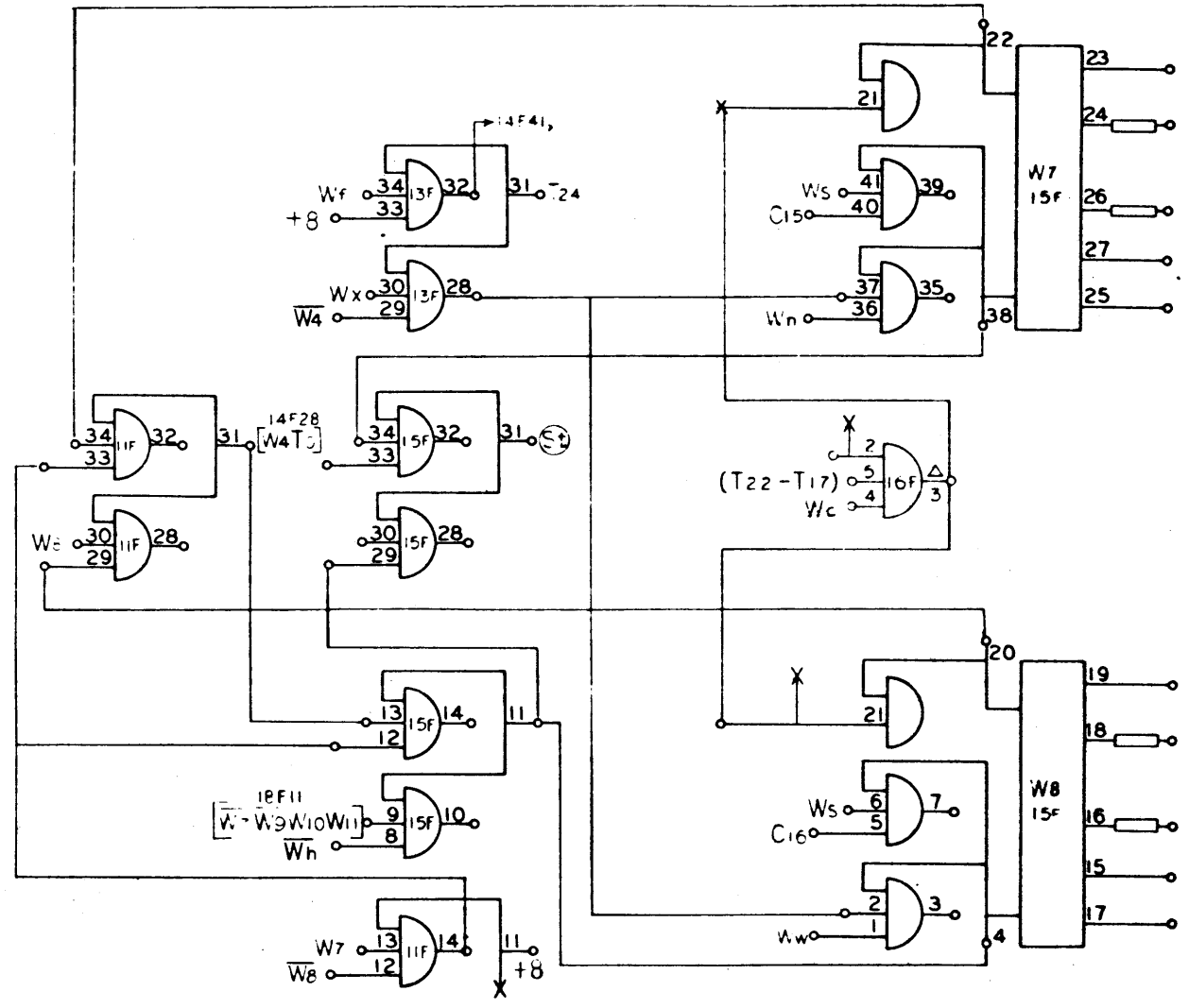
NO. REQ.	DRAWING NO.	DESCRIPTION	REFERENCE DESIGNATION	ITEM NO.
MATERIAL LIST				
NOTES UNLESS SPECIFIED		DRAWN	CHECK	APPR
1. TOLERANCES XX ± 0.00 ANGLULAR XX ± 0.10 ± 1/16 2. BREAK ALL SHARP EDGES 0.10 APPROX 3. HATCH SURFACES ✓ 4. ALL DIM. IN INCHES				
MODEL NO.		920		
NEXT ASSY.		Page 24		
SCALE		DO NOT SCALE DRAWING SHEET		

NO. REQ.	DRAWING NO.	DESCRIPTION	REFERENCE DESIGNATION	ITEM NO.
MATERIAL LIST				
NOTES UNLESS SPECIFIED		DRAWN	CHECK	APPR
1. TOLERANCES XX ± 0.00 ANGLULAR XX ± 0.10 ± 1/16 2. BREAK ALL SHARP EDGES 0.10 APPROX 3. HATCH SURFACES ✓ 4. ALL DIM. IN INCHES				
MODEL NO.		920		
NEXT ASSY.		Page 24		
SCALE		DO NOT SCALE DRAWING SHEET		

SDS SCIENTIFIC DATA SYSTEMS				101701	A
1542 FIFTEENTH STREET SANTA MONICA CALIFORNIA					
DIAGRAM, LOGIC COMPUTER					
MODEL NO.		SIZE		DWS NO.	
920		D		101701	
NEXT ASSY.		SCALE		SHEET	

101701 | A |

REVISIONS				101701
REV	DESCRIPTION	CHK	DATE	APPROVED
A	RELEASED TO MFG			
D	SEE REV. E.O.			
J	SEE REV. E.O.			

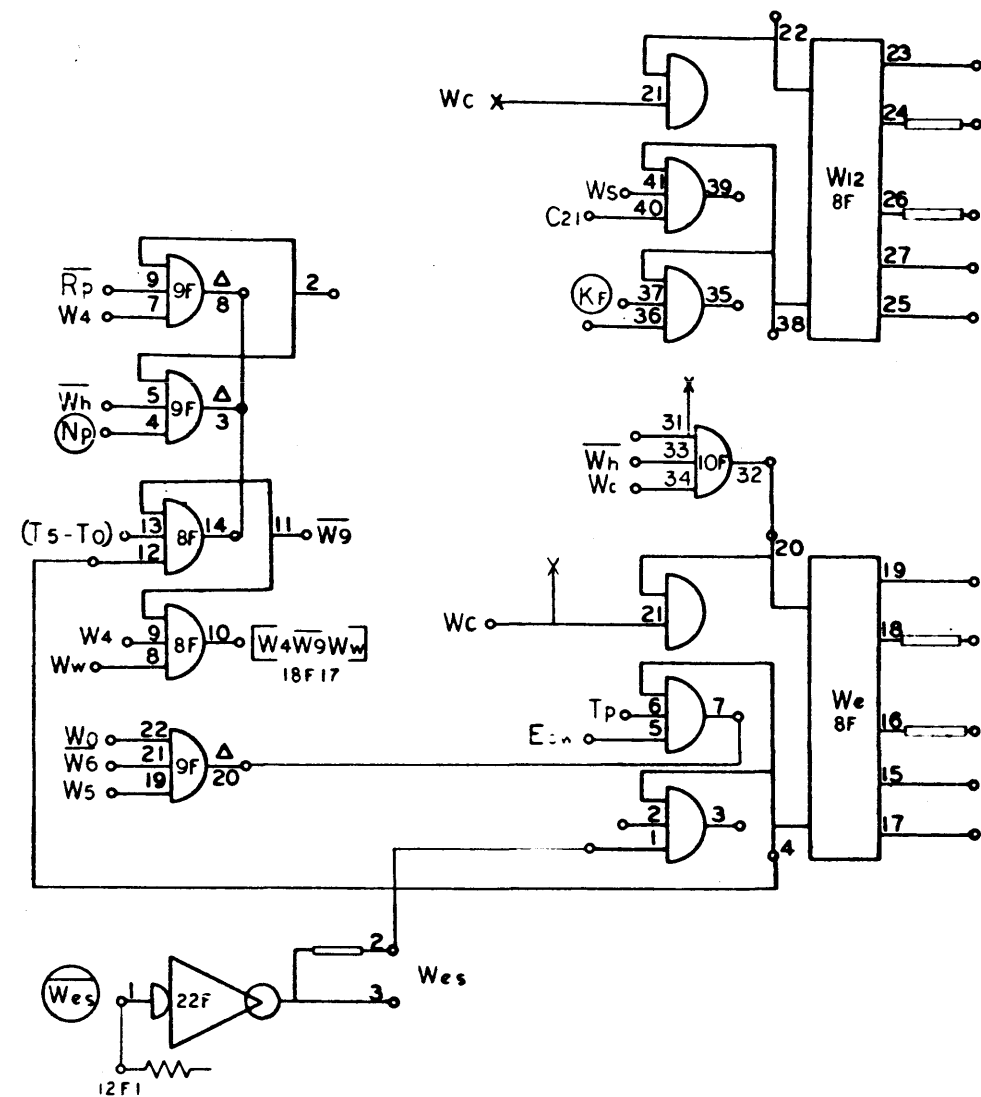


920  
Page 25  
J

NO. REQ.	DRAWING NO.	DESCRIPTION	REFERENCE DESIGNATION	ITEM NO.
MATERIAL LIST				
NOTES UNLESS SPECIFIED		DRAWN	CHECK	APPR
1. TOLERANCES XX - 0.00 ANGULAR XXX - 0.01		1/3/67	1/3/67	1/3/67
2. BREAK ALL SHARP EDGES 0.10 APPROX				
3. HATCH SURFACES				
4. ALL DIMS IN INCHES				
MODEL NO. 920		SIZE D		DWG NO. 101701
NEXT ASSY		SCALE		DO NOT SCALE DRAWING SHEET

101701

REVISIONS				101701	L
REV	DESCRIPTION	CHK	DATE	APPROVED	
A	RELEASED TO MFG				
F	SEE REV E.O.				
J	SEE REV E.O.				
L	SEE REV E.O.				



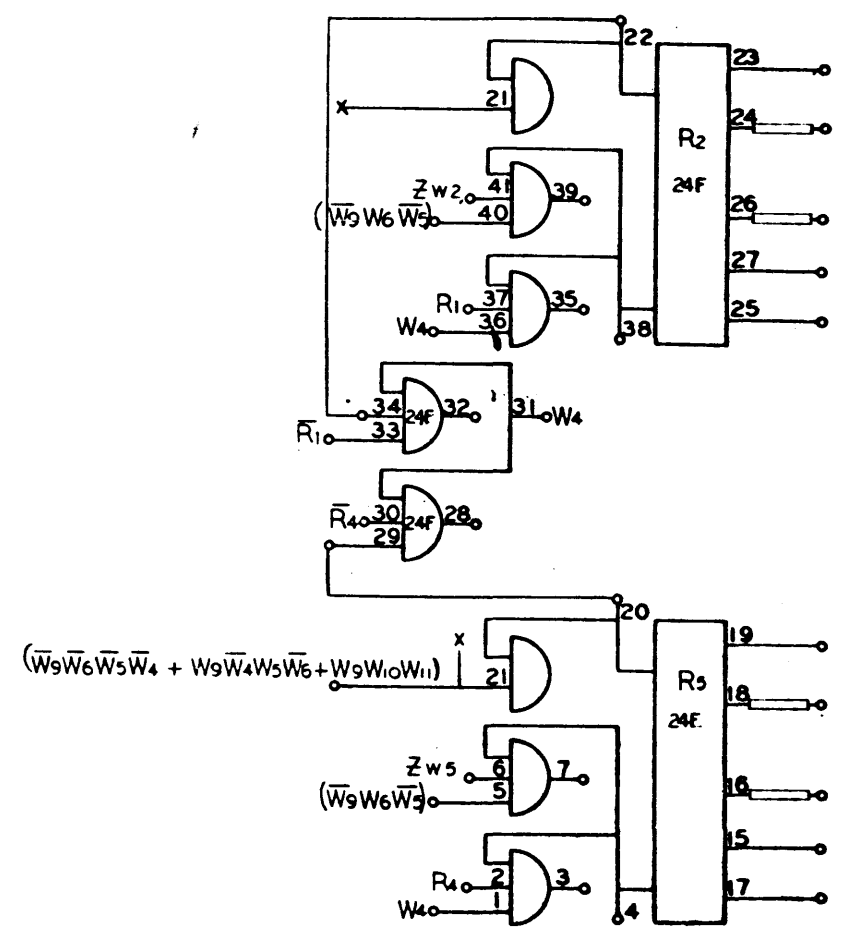
920  
Page 26  
L

NO. REQ.	DRAWING NO.	DESCRIPTION	REFERENCE DESIGNATION	ITEM NO.
MATERIAL LIST				
NOTES UNLESS SPECIFIED		DRAWN	CHECKED	APPROVED
1. TOLERANCES XX ± 0.00 ANGULAR XXX 2.00 2.1°		APPD		
2. BREAK ALL SHARP EDGES AND APPROX				
3. MACH SURFACES $\nabla$				
4. ALL DIM IN INCHES				
 1542 FIFTEENTH STREET, SANTA MONICA, CALIFORNIA				
MODEL NO. 920			SIZE D	DWG NO. 101701
NEXT ASSY.			SCALE	SHEET
			DO NOT SCALE DRAWING	

101701 L

REVISIONS				101701	A
REV	DESCRIPTION	CHK	DATE	APPROVED	
A	RELEASED TO MFG				

REVISIONS				
REV	DESCRIPTION	CHK	DATE	APPROVED

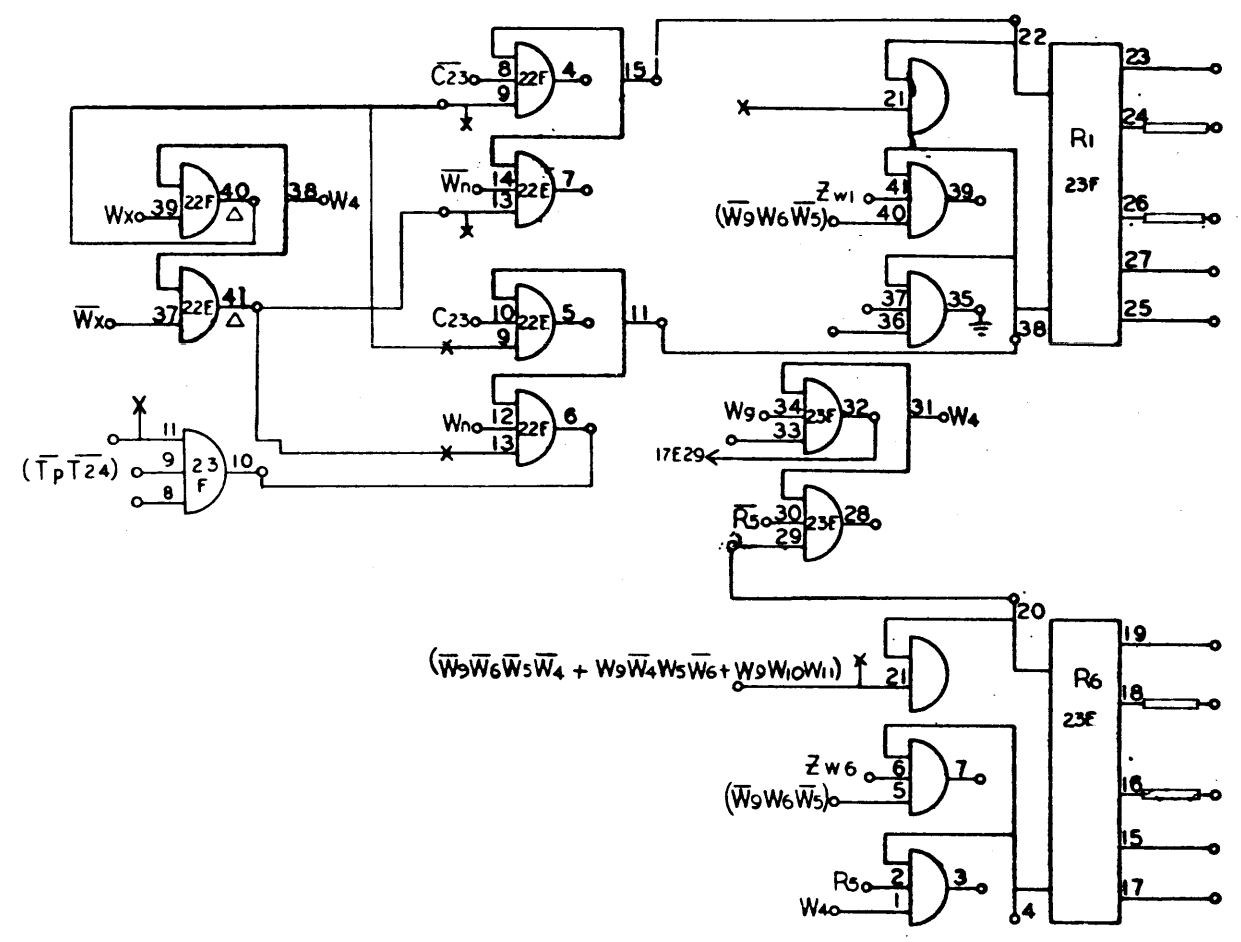


NO. REQ.	DRAWING NO.	DESCRIPTION	REFERENCE DESIGNATION	ITEM NO.
MATERIAL LIST				
NOTES UNLESS SPECIFIED		DRAWN	CHECK	APPR
1. TOLERANCES XX ± .000 ANGULAR XXX ± .010 ± 1/2°				
2. BREAK ALL SHARP EDGES @10 APPROX				
3. HATCH SURFACES ✓				
4. ALL DIM. IN INCHES				
MODEL NO.		SIZE	DWS NO.	TITLE
NEXT ASSY.		C	920	Page 27
SCALE		DO NOT SCALE DRAWING	SHEET	

NO. REQ.	DRAWING NO.	DESCRIPTION	REFERENCE DESIGNATION	ITEM NO.
MATERIAL LIST				
NOTES UNLESS SPECIFIED		DRAWN	CHECK	APPR
1. TOLERANCES XX ± .000 ANGULAR XXX ± .010 ± 1/2°				
2. BREAK ALL SHARP EDGES @10 APPROX				
3. HATCH SURFACES ✓				
4. ALL DIM. IN INCHES				
MODEL NO.		SIZE	DWS NO.	TITLE
920		D	101701	DIAGRAM, LOGIC COMPUTER
NEXT ASSY.		SCALE	DO NOT SCALE DRAWING	SHEET

101701 | A |

REVISIONS				101701	A
REV	DESCRIPTION	CHK	DATE	APPROVED	
A	RELEASED TO MFG				

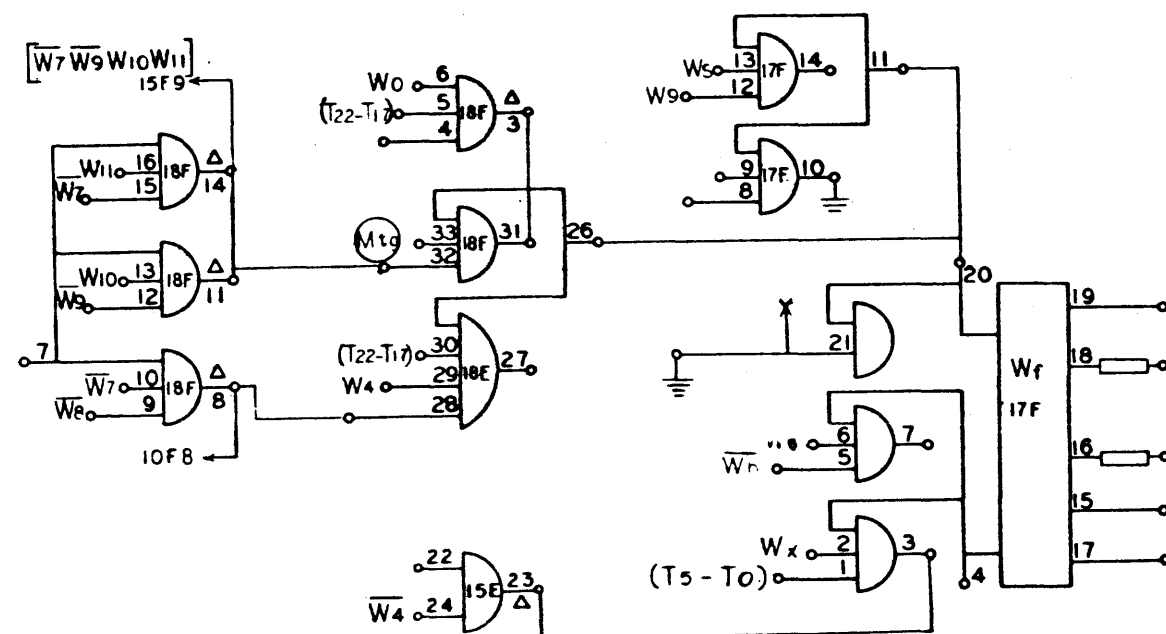


920  
Page 25

101701 | A |

NO. REQ.	DRAWING NO.	DESCRIPTION	REFERENCE DESIGNATION	ITEM NO.
MATERIAL LIST				
NOTES UNLESS SPECIFIED		DRAWN	<b>SDS</b> SCIENTIFIC DATA SYSTEMS <small>1542 FIFTEENTH STREET SANTA MONICA CALIFORNIA</small>	
1. TOLERANCES XX ± .030 ANGLAR ± .1° XXX ± .010 2. BREAK ALL SHARP EDGES .010 APPROX 3. HATCH SURFACES ✓ 4. ALL DIM IN INCHES		CHECK		
		APPR	DATE	TITLE
				<b>DIAGRAM, LOGIC COMPUTER</b>
MODEL NO. 920		SIZE D	DWG NO. 101701	A
NEXT ASSY		SCALE	DO NOT SCALE DRAWING	SHEET

REVISIONS				101701	A
REV	DESCRIPTION	CHK	DATE	APPROVED	
A	RELEASED TO MFG				



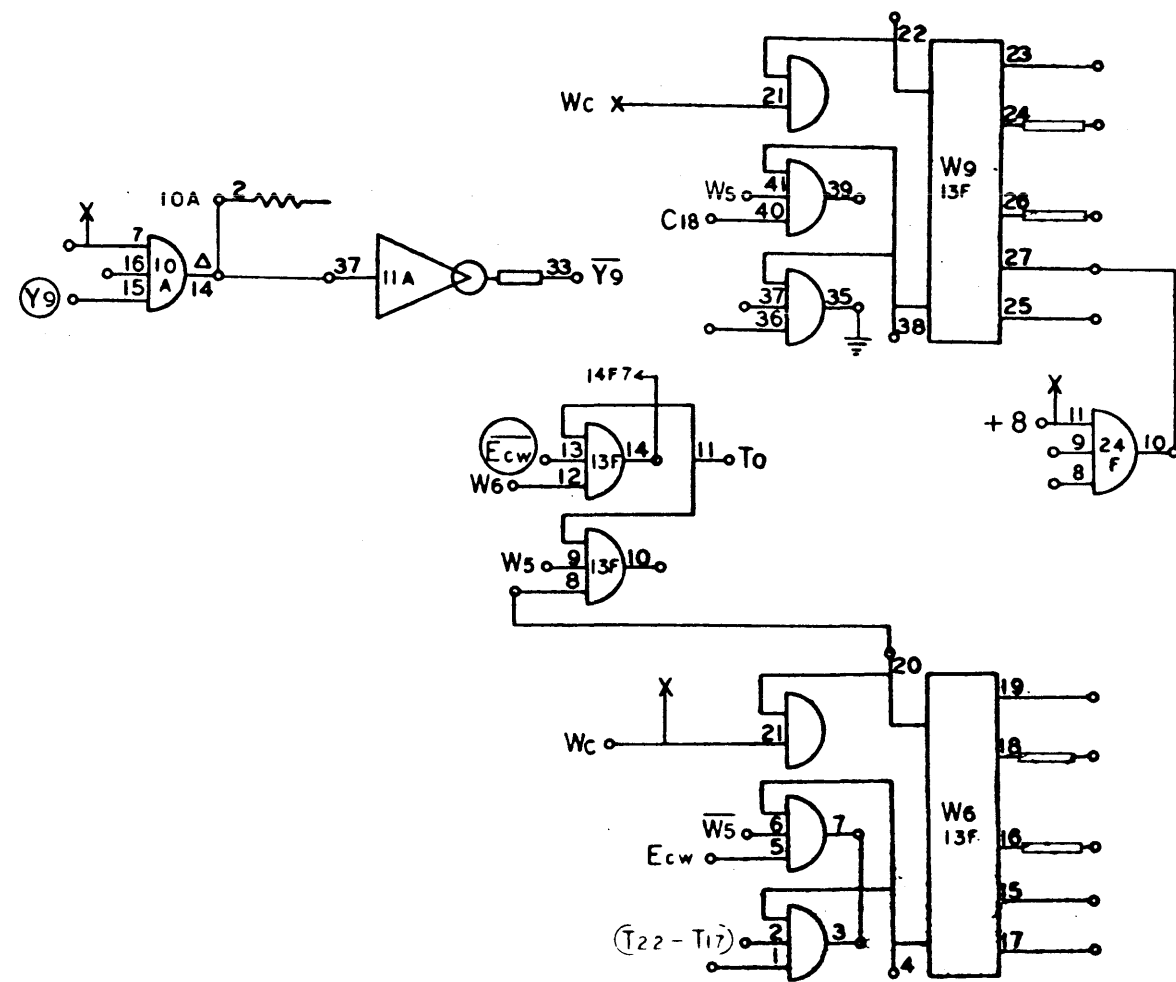
920  
Page 29

NO. REQ	DRAWING NO.	DESCRIPTION	REFERENCE DESIGNATION	ITEM NO.
MATERIAL LIST				
NOTES UNLESS SPECIFIED		DRAWN	<div style="text-align: center;"> <p>1948 FIFTEENTH STREET SANTA MONICA CALIFORNIA</p> </div>	
1. TOLERANCES		CHECK		
2. BREAK ALL SHARP EDGES .010 APPROX		APPR		
3. EACH SURFACE ✓			<b>DIAGRAM, LOGIC COMPUTER</b>	
4. ALL DIM. IN INCHES				
MODEL NO.	920	SIZE	DWG NO.	A
NEXT ASSY.		D	101701	
SCALE		DO NOT SCALE DRAWING		SHEET

101701/A



REVISIONS				101701	D
REV	DESCRIPTION	CHK	DATE	APPROVED	
A	RELEASED TO MFG				
D	SEE REV. E.O.				

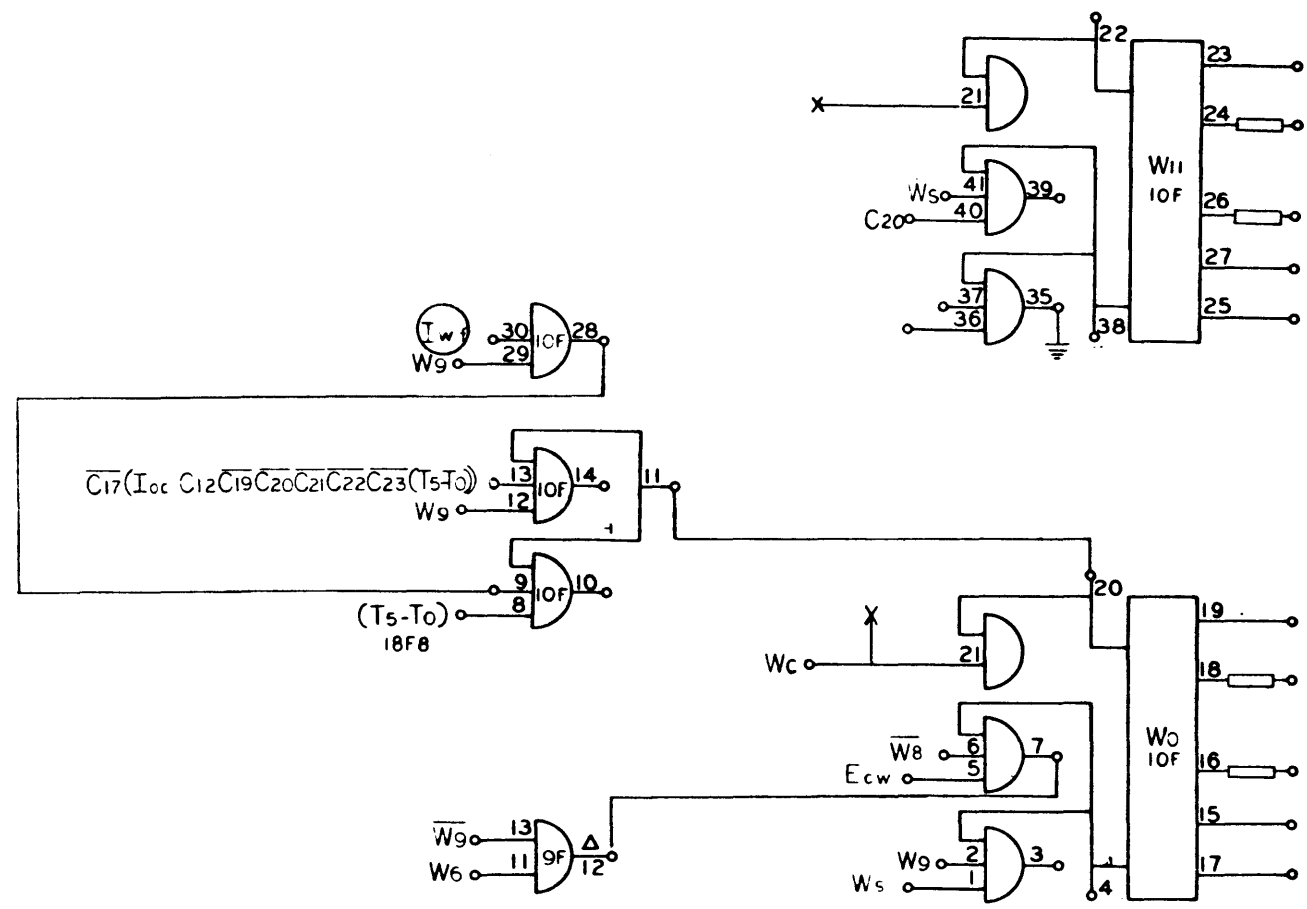


920  
Page 30  
D

NO. REV.	DRAWING NO.	DESCRIPTION	REFERENCE DESIGNATION	ITEM NO.
MATERIAL LIST				
NOTES UNLESS SPECIFIED		DRAWN	<b>SDS</b> SCIENTIFIC DATA SYSTEMS 1525 FIFTEENTH STREET SANTA MONICA CALIFORNIA	
1 TOLERANCES XX ± 0.00 ANGLULAR SEE 1.010 ± 1°		CHECK	TITLE <b>DIAGRAM, LOGIC COMPUTER</b>	
2 BREAK ALL SHARP EDGES 0.10 APPROX		APPR		
3 HATCH SURFACES ✓			MODEL NO. <b>920</b>	
4 ALL DIM. IN INCHES			SIZE DWG NO. <b>D 101701</b>	
NEXT ASSY.			SCALE DO NOT SCALE DRAWING SHEET	

101701 | D |

REVISIONS				101701	J
REV	DESCRIPTION	CHK	DATE	APPROVED	
A	RELEASED TO MFG				
F	SEE REV E.O.				
H	SEE REV E.O.				
J	SEE REV E.O.				

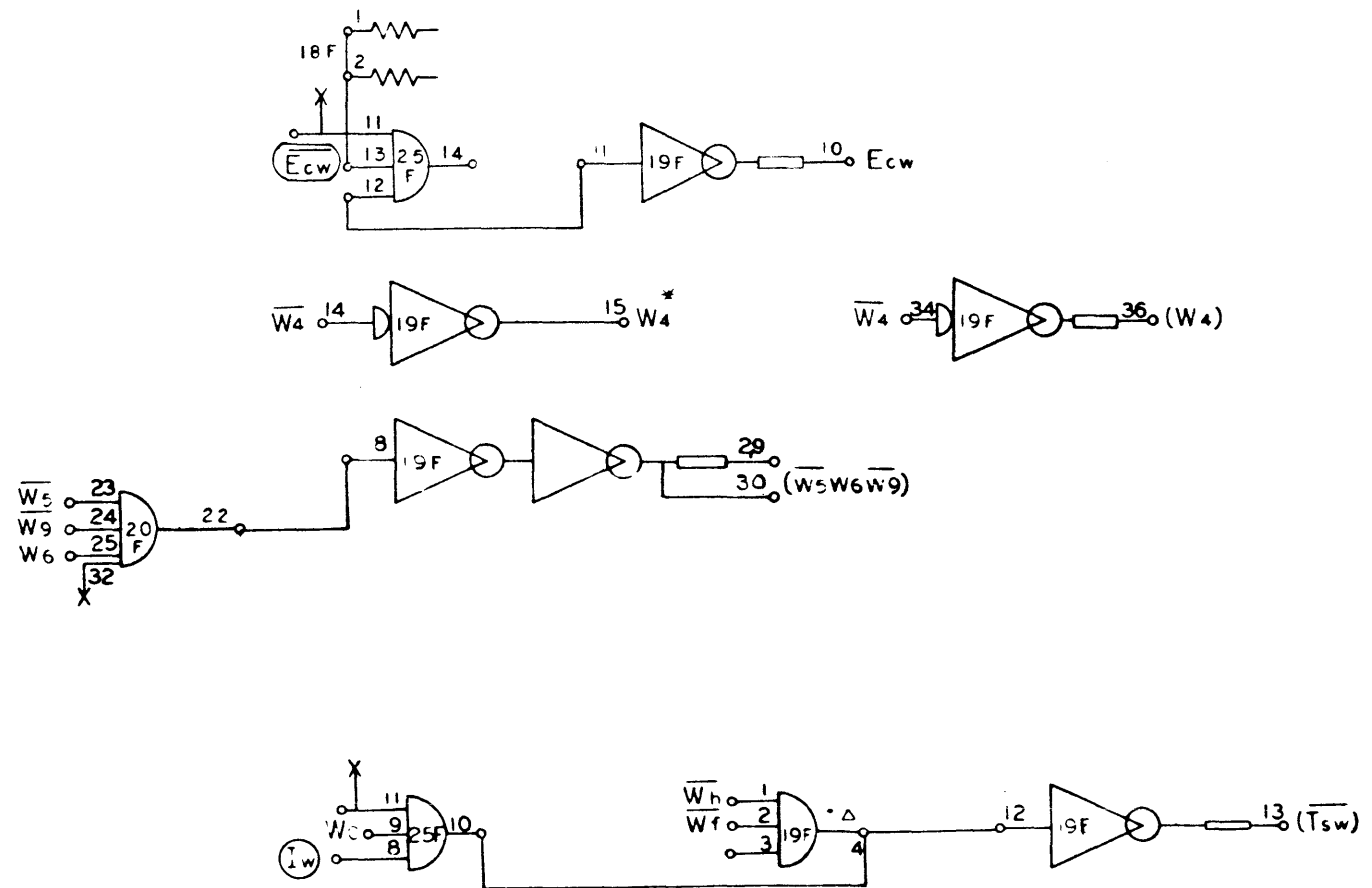


920  
Page 31  
J

NO. REV	DRAWING NO.	DESCRIPTION	REFERENCE DESIGNATION	ITEM NO.
MATERIAL LIST				
NOTES UNLESS SPECIFIED		DRAWN	 1522 FIFTEENTH STREET SANTA MONICA CALIFORNIA	
1. TOLERANCES	.32 ± .000	ANGULAR	TITLE <b>DIAGRAM, LOGIC COMPUTER</b>	
	.325 ± .010	± 1/2°	MODEL NO. <b>920</b> SIZE Dwg NO. <b>D 101701</b> NEXT ASSY.	
2. BREAK ALL SHARP EDGES .010 APPROX		APPR	SCALE DO NOT SCALE DRAWING SHEET	
3. HATCH SURFACES ✓				
4. ALL DIM. IN INCHES				

101701 J

REVISIONS				101701	
REV	DESCRIPTION	CHK	DATE	APPROVED	
A	RELEASED TO MFG				
D	SEE REV. E.O.	DEF	2/12		
F	SEE REV. E.O.				

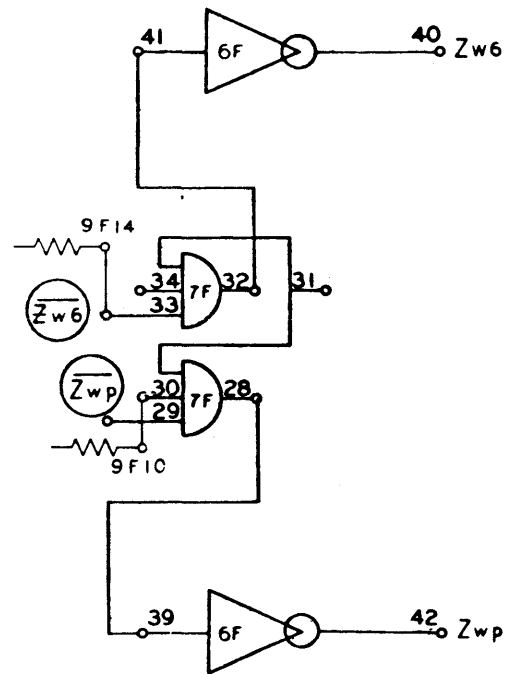
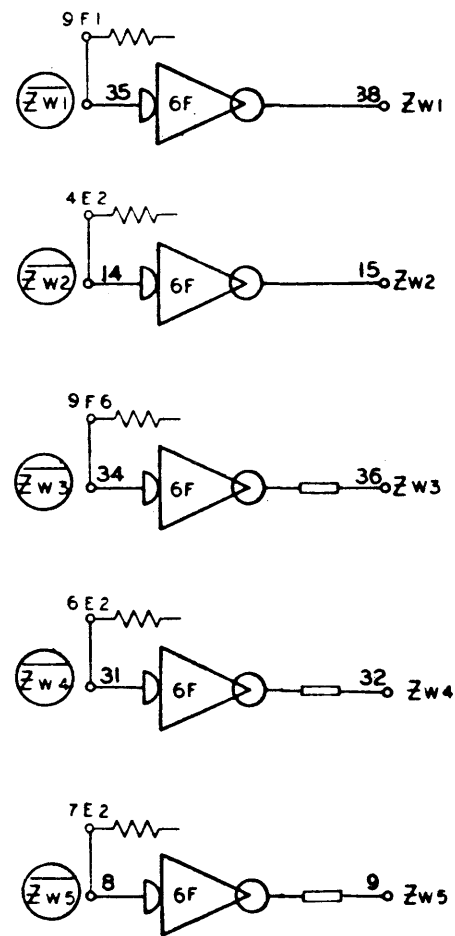


920  
Page 32  
F

101701 | F |

NO. REQ.	DRAWING NO.	DESCRIPTION	REFERENCE DESIGNATION	ITEM NO.
MATERIAL LIST				
NOTES UNLESS SPECIFIED		DRAWN	<b>SDS</b> SCIENTIFIC DATA SYSTEMS 1542 FIFTEENTH STREET SANTA MONICA CALIFORNIA	
1. TOLERANCES SEE ± DIM ANGULAR SEE ± DIM F.V.		CHECK	TITLE	
2. BREAK ALL SHARP EDGES .010 APPROX.		APPR	DIAGRAM, LOGIC COMPUTER	
3. MACH SURFACES ✓				
4. ALL DIM. IN INCHES				
MODEL NO.	920	SIZE	DWG NO.	
NEXT ASSY.			D 101701	
SCALE			NO NOT SCALE DRAWING	SHEET

REVISIONS				101701
REV	DESCRIPTION	CHK	DATE	APPROVED
A	RELEASED TO MFG			
F	SEE REV E.O.			



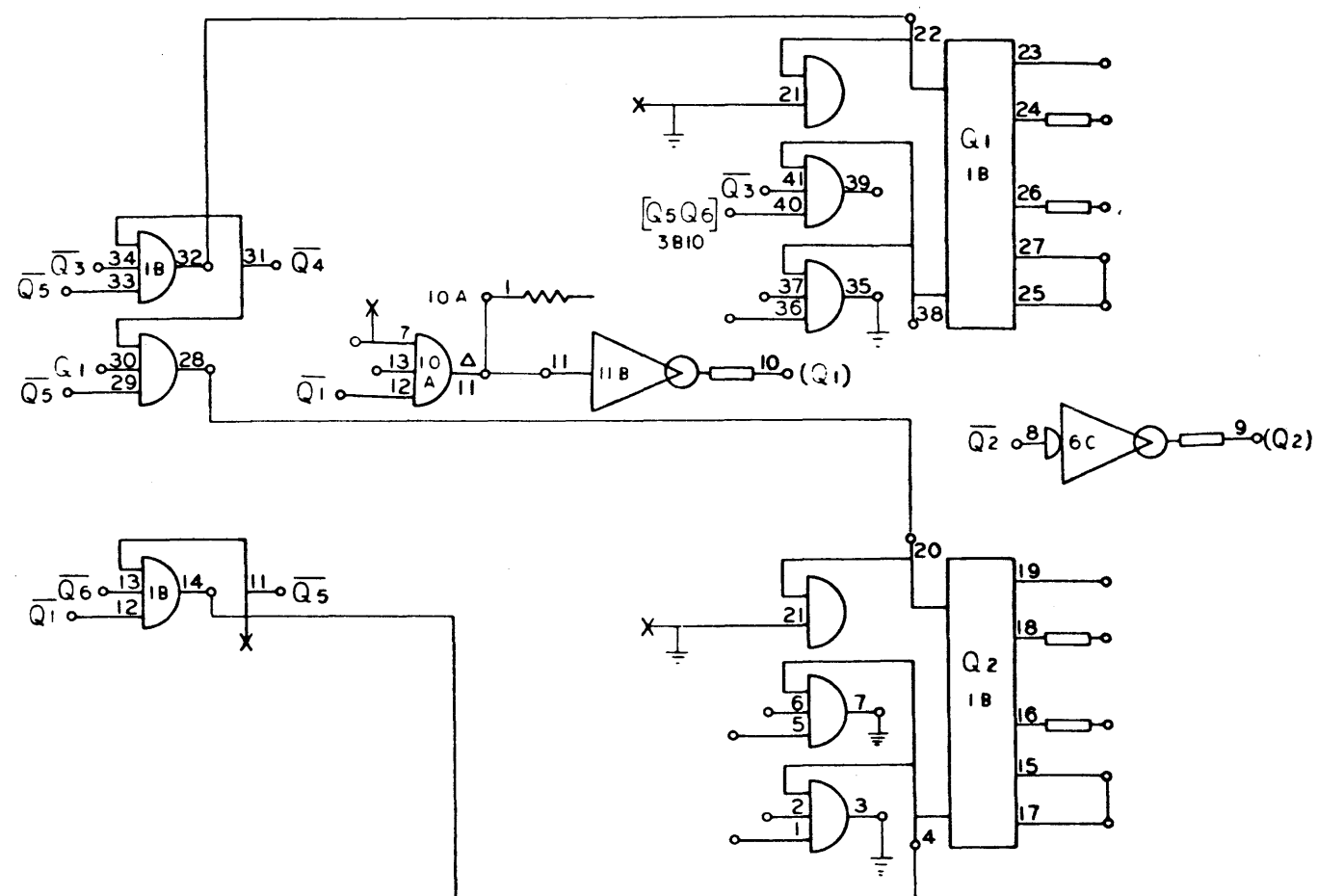
920  
Page 33  
F

NO. REQ	DRAWING NO.	DESCRIPTION	REFERENCE DESIGNATION	ITEM NO.
MATERIAL LIST				
NOTES UNLESS SPECIFIED		DRAWN	CHECK	DATE
1 TOLERANCES XX ± 0.00 XXX ± 0.10		24	24	11/16/62
2 BREAK ALL SHARP EDGES D10 SQUARE		APPR		11/18
3 MACH SURFACES		<div style="text-align: center;"> <p>1542 FIFTEENTH STREET, SANTA MONICA, CALIFORNIA</p> </div>		
4 ALL DIM. IN INCHES				
MODEL NO. 920			SIZE D	DWG NO. 101701
NEXT ASSY			SCALE	DO NOT SCALE DRAWING SHEET

DIAGRAM, LOGIC  
COMPUTER



REVISIONS			101701	A
REV	DESCRIPTION	CHK	DATE	APPROVED
A	RELEASED TO MFG			

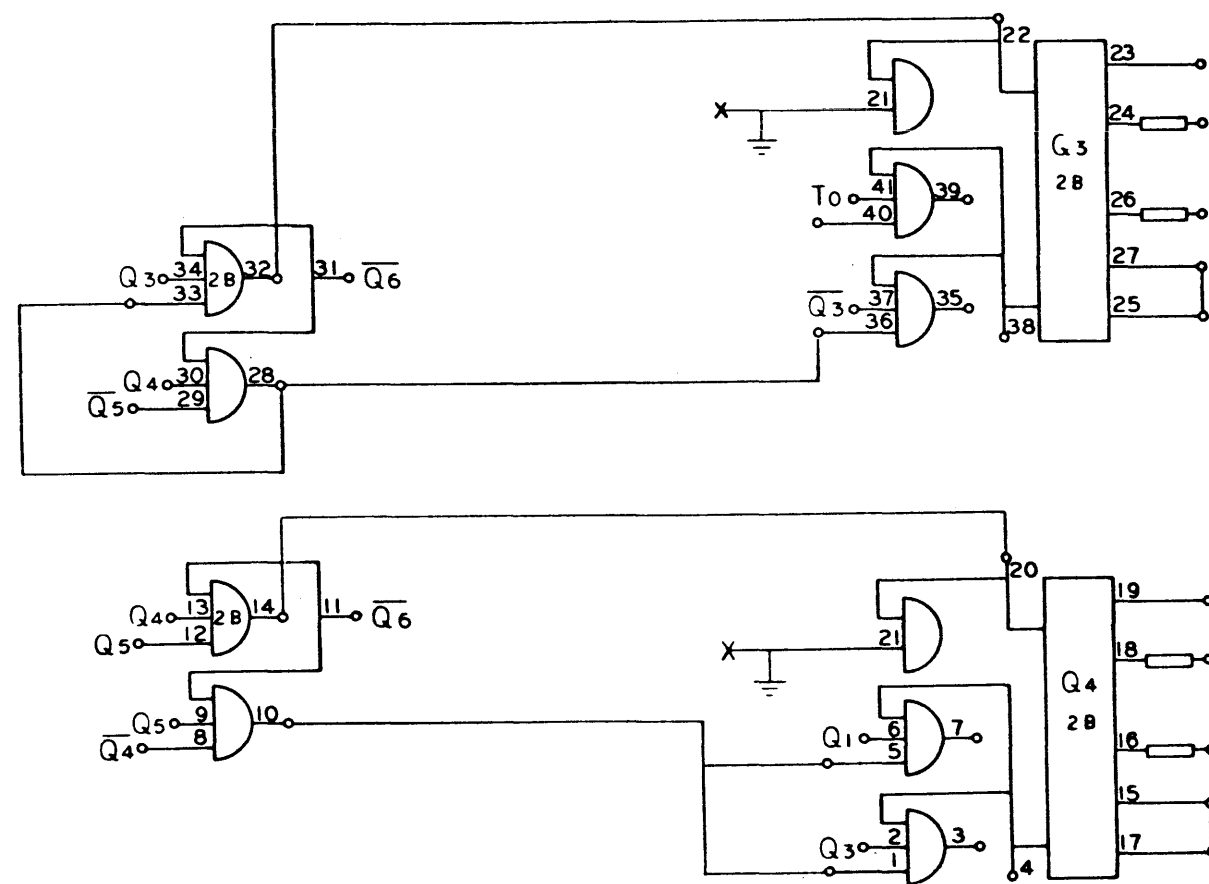


920  
Page 34

NO. REG.	DRAWING NO.	DESCRIPTION	REFERENCE DESIGNATION	ITEM NO.
MATERIAL LIST				
NOTES UNLESS SPECIFIED		DRAWN	<div style="text-align: center;">             1522 FIFTEENTH STREET SANTA MONICA CALIFORNIA         </div>	
1. TOLERANCES XX ± 0.00 ANGLE XXX ± 0.01 ± 1/2°		CHECK		
2. BREAK ALL SHARP EDGES Ø TO APPROX		APPR		
3. MACH SURFACES ✓ 4. ALL DIM. IN INCHES				
		TITLE <b>DIAGRAM, LOGIC COMPUTER</b>		
MODEL NO.	920	SIZE	DWS NO.	A
NEXT ASSY.		D	101701	
		SCALE	DO NOT SCALE DRAWING	SHEET

101701 JA1

REVISIONS			101701	A
REV	DESCRIPTION	CHE	DATE	APPROVED
A	RELEASED TO MFG			

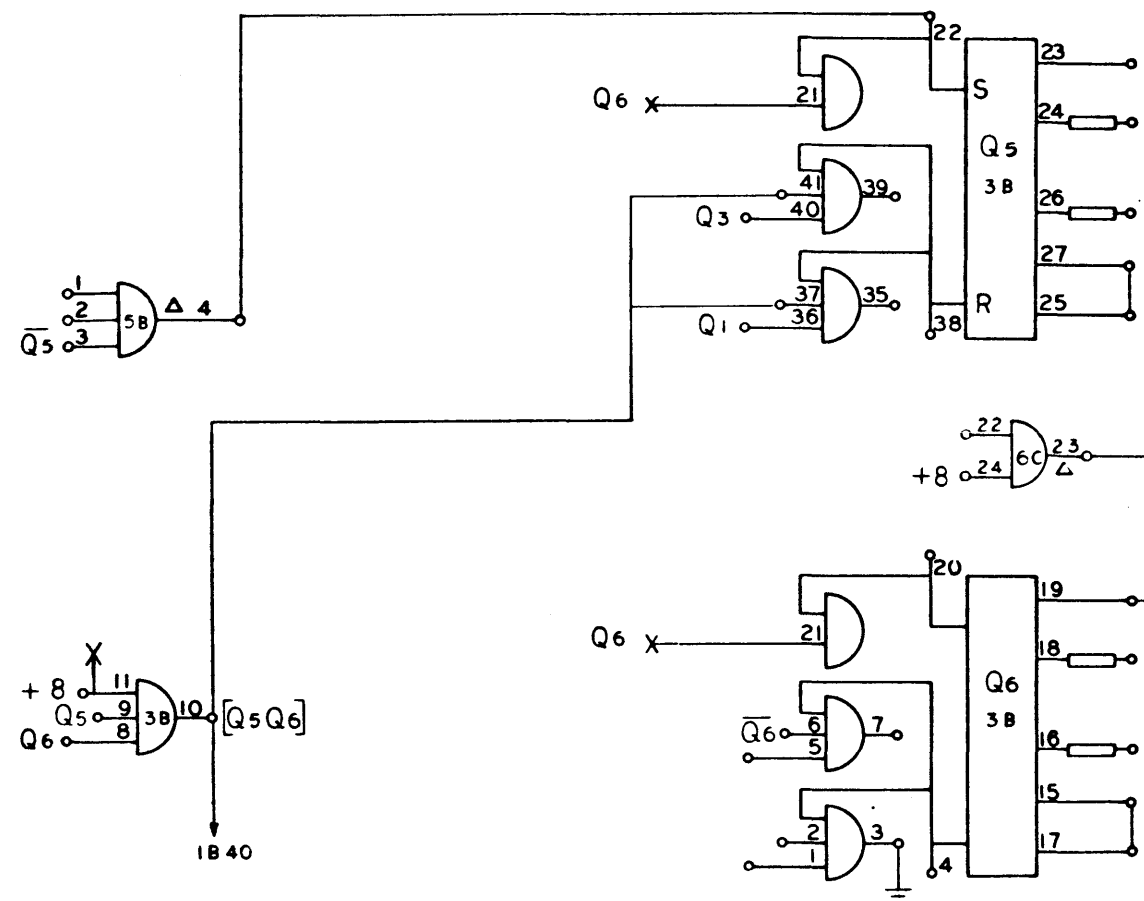


920  
Page 35

NO. REQ.	DRAWING NO.	DESCRIPTION	REFERENCE DESIGNATION	ITEM NO.
MATERIAL LIST				
NOTES UNLESS SPECIFIED		DRAWN	<b>SDS</b> SCIENTIFIC DATA SYSTEMS 1545 FIFTEENTH STREET, SANTA MONICA, CALIFORNIA	
1. TOLERANCES XX ± 0.00 ANGULAR XXX ± 0.00 2.5°		CHECK		
2. BREAK ALL SHARP EDGES .010 APPROX.		APPR.	TITLE <b>DIAGRAM, LOGIC COMPUTER</b>	
3. HATCH SURFACES ✓				
4. ALL DIM. IN INCHES				
MODEL NO.	920		SIZE	DWG. NO.
NEXT ASSY.			D	101701
			SCALE	DO NOT SCALE DRAWING SHEET
				A

101701 | A |

REV		DESCRIPTION		CHK	DATE	APPROVED
A		RELEASED TO MFG				



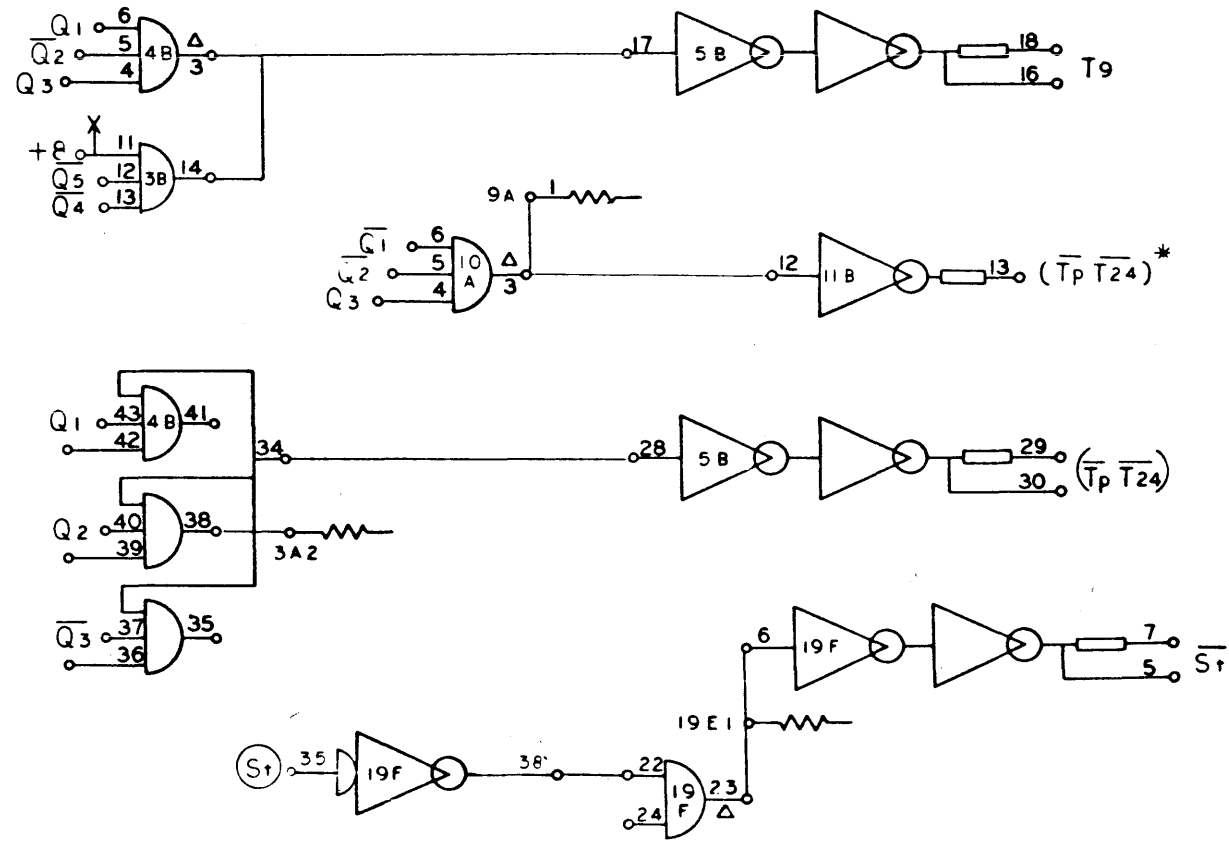
920  
Page 36

NO. REQ.	DRAWING NO.	DESCRIPTION	REFERENCE DESIGNATION	ITEM NO.
MATERIAL LIST				
NOTES UNLESS SPECIFIED		DRAWN	CHECK	DATE
1. TOLERANCES XX ± 0.00 ANGULAR XX ± 0.10 2.5°				
2. BREAK ALL SHARP EDGES 0.10 APPROX.		APPR		
3. HATCH SURFACES ✓				
4. ALL DIM. IN INCHES				
MODEL NO. 920		TITLE		SIZE
NEXT ASSY.		DIAGRAM, LOGIC COMPUTER		DWG NO. 101701
		SCALE		SHEET

101701A1



REVISIONS				101701	
REV	DESCRIPTION	CHK	DATE	APPROVED	
A	RELEASED TO MFG				
F	SEE REV E.O.				

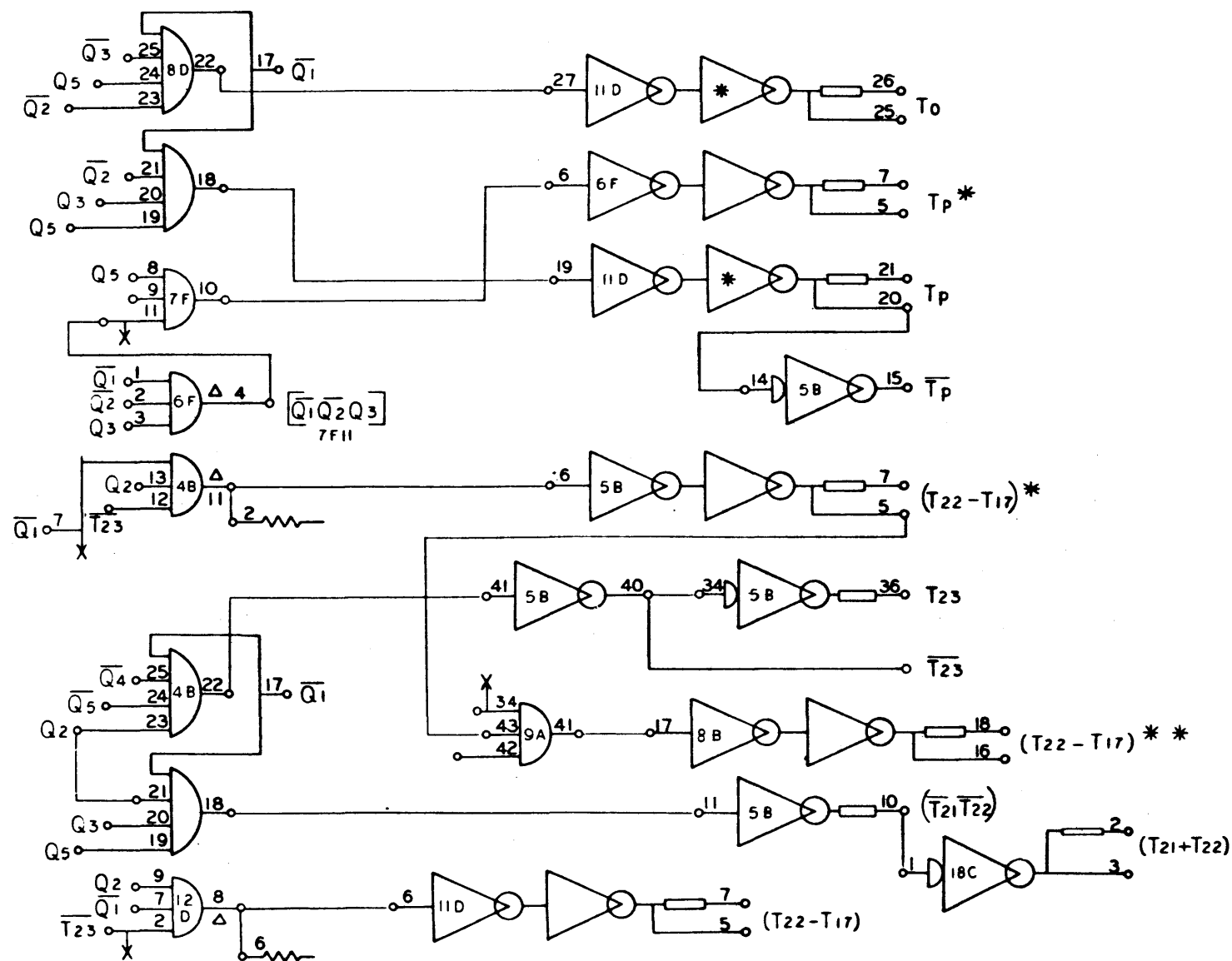


920  
Page 37  
F

101701 F

NO. REQ	DRAWING NO.	DESCRIPTION	REFERENCE DESIGNATION	ITEM NO.
MATERIAL LIST				
NOTES UNLESS SPECIFIED		DRAWN	CHECK	APPR
1. TOLERANCES SEE 2.000 ANGULAR SEE 2.010 ± 1/2" 2. BREAK ALL SHARP EDGES 3/16 APPROX 3. HATCH SURFACES ✓ 4. ALL DIM. IN INCHES				
		<b>SDS</b> SCIENTIFIC DATA SYSTEMS 1542 FIFTEENTH STREET SANTA MONICA CALIFORNIA		
		TITLE <b>DIAGRAM, LOGIC            COMPUTER</b>		
MODEL NO. <b>920</b>		SIZE <b>D</b>	DWG NO. <b>101701</b>	SHEET <b>F</b>
NEXT ASSY.		SCALE	DO NOT SCALE DRAWING	SHEET

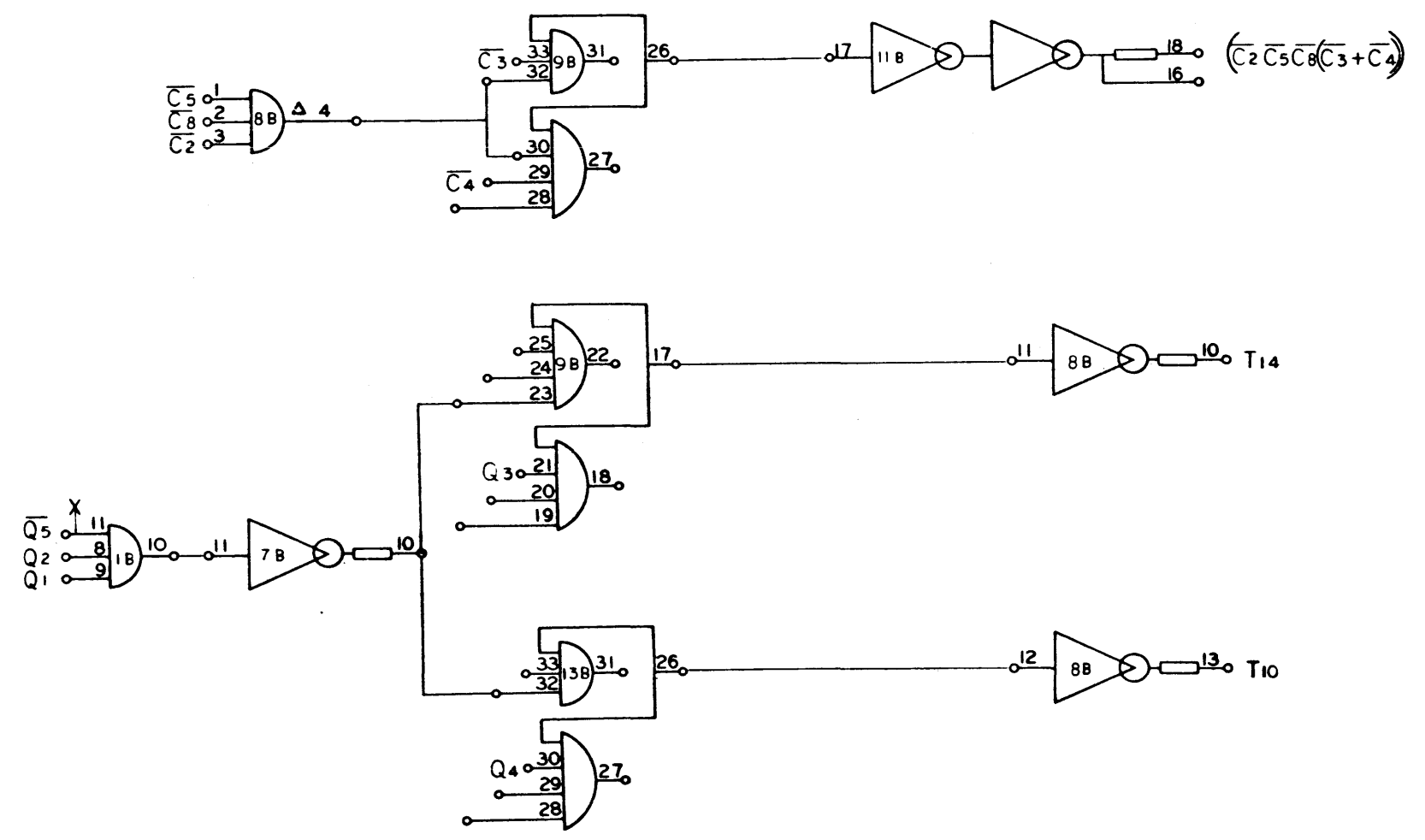
REVISIONS				101701	A
REV	DESCRIPTION	CHK	DATE	APPROVED	
A	RELEASED TO MFG				



NO. REV.	DRAWING NO.	DESCRIPTION	REFERENCE DESIGNATION	ITEM NO.
MATERIAL LIST				
NOTES UNLESS SPECIFIED 1. TOLERANCES: .001 ± .000 ANGULAR ± 1/2° .002 ± .010 2. BREAK ALL SHARP EDGES .010 APPROX. 3. BACK SURFACES ✓ 4. ALL DIM. IN INCHES				
DRAWN		<b>SDS</b> SCIENTIFIC DATA SYSTEMS 1525 FIFTEENTH STREET SANTA MONICA, CALIFORNIA		
CHECK		TITLE		
APPR.		DIAGRAM, LOGIC COMPUTER		
MODEL NO.		SIZE	DWG. NO.	ITEM NO.
920		D	101701	A
NEXT ASSY.		SCALE	DO NOT SCALE DRAWING	SHEET

101701 1A1

REVISIONS				101701	A
REV	DESCRIPTION	CHE	DATE	APPROVED	
A	RELEASED TO MFG				

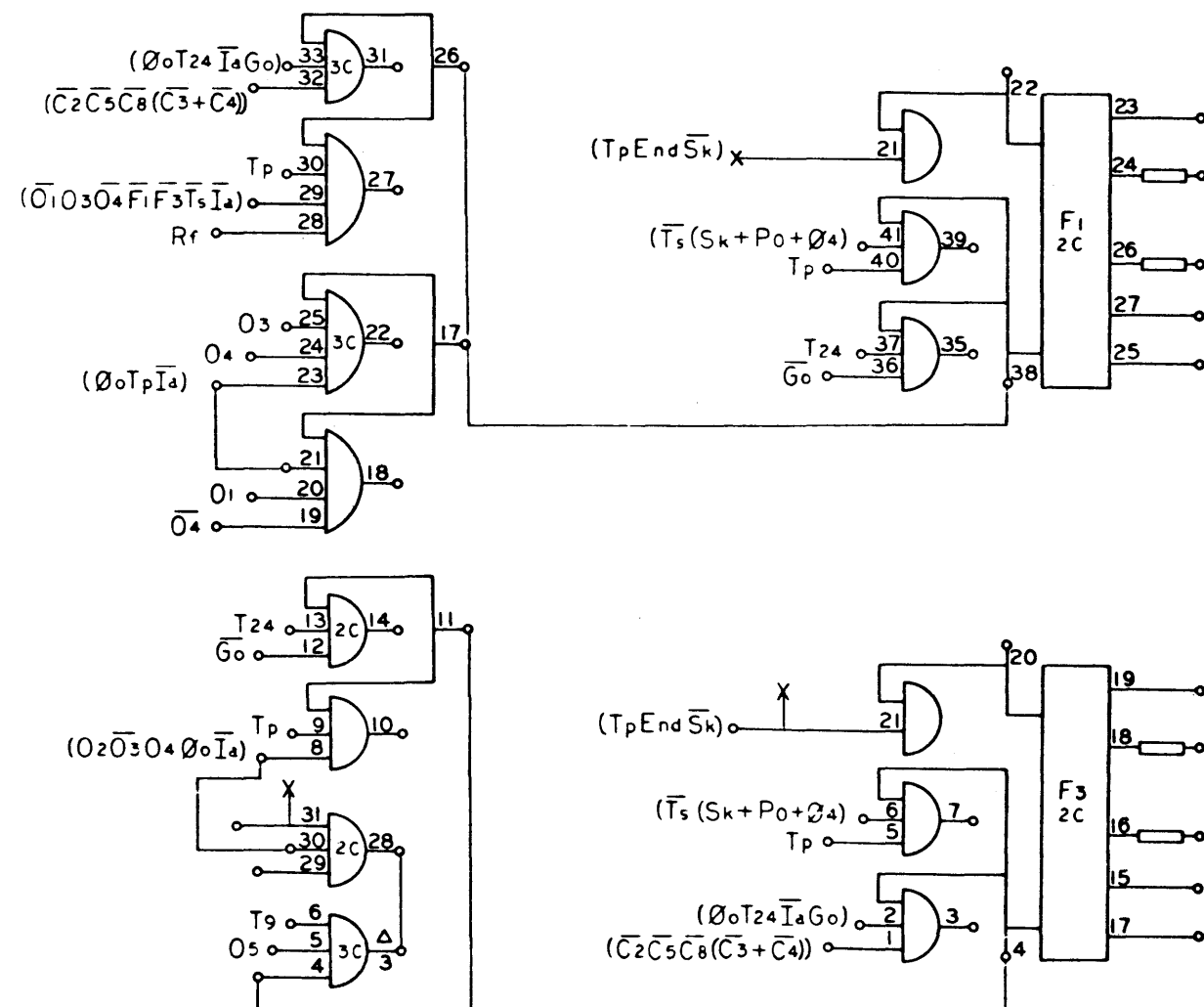


920  
Page 39

101701 | A |

NO. REQ.	DRAWING NO.	DESCRIPTION	REFERENCE DESIGNATION	ITEM NO.
MATERIAL LIST				
NOTES UNLESS SPECIFIED		DRAWN	<b>SDS</b> SCIENTIFIC DATA SYSTEMS 1845 FIFTEENTH STREET SANTA MONICA CALIFORNIA TITLE <b>DIAGRAM, LOGIC COMPUTER</b>	
1. TOLERANCES XX ± .000 ANGULAR SEE 2.910 2.5°		CHECK		
2. BREAK ALL SHARP EDGES .910 APPROX		APPR.		
3. MACH. SURFACES ✓				
4. ALL DIM. IN INCHES				
MODEL NO.	920	SIZE	DWG. NO.	A
NEXT ASSY.			D 101701	
SCALE			DO NOT SCALE DRAWING	SHEET

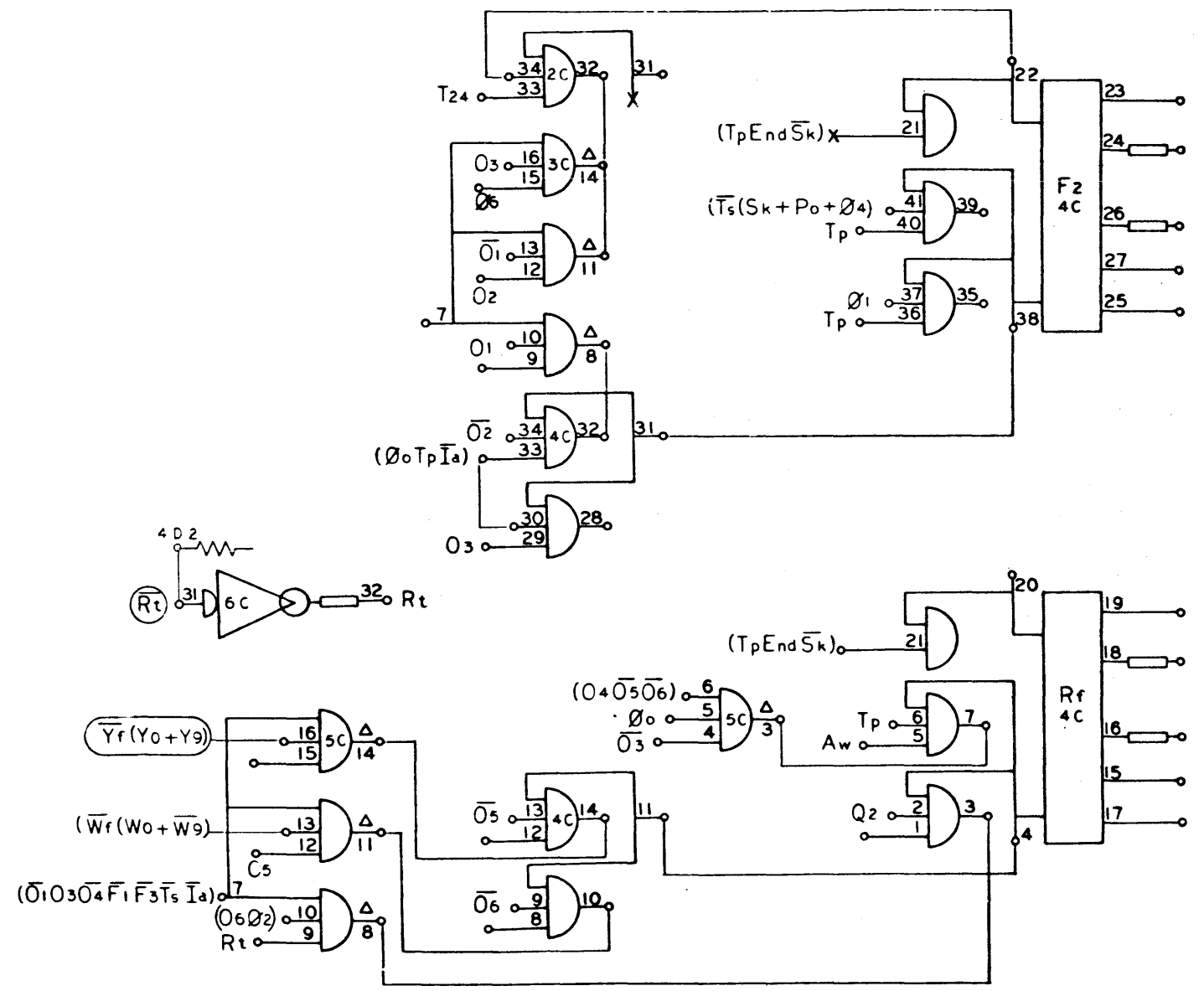
REVISIONS				101701	A
REV	DESCRIPTION	CHK	DATE	APPROVED	
A	RELEASED TO MFG				



NO. REQ.	DRAWING NO.	DESCRIPTION	REFERENCE DESIGNATION	ITEM NO.
NOTES UNLESS SPECIFIED				
1. TOLERANCES XX ± 0.00 XXX ± 0.04		ANGULAR ± 1/2°	CHECK J.H. 1/2/67	
2. BREAK ALL SHARP EDGES AS SHOWN		APPR J. W. 1/1/67		
3. HATCH SURFACES		✓		
4. ALL DIM. IN INCHES				
MATERIAL LIST			<b>SDS</b> SCIENTIFIC DATA SYSTEMS 1542 FIFTEENTH STREET, SANTA MONICA, CALIFORNIA	
TITLE			DIAGRAM, LOGIC COMPUTER	
MODEL NO.	920	SIZE	DWG NO.	A
NEXT ASSY.		SCALE	DO NOT SCALE DRAWING	SHEET

101701 A

REVISIONS				101701	
REV	DESCRIPTION	CHK	DATE	APPROVED	
A	RELEASED TO MFG				
F	SEE REV E.O.				

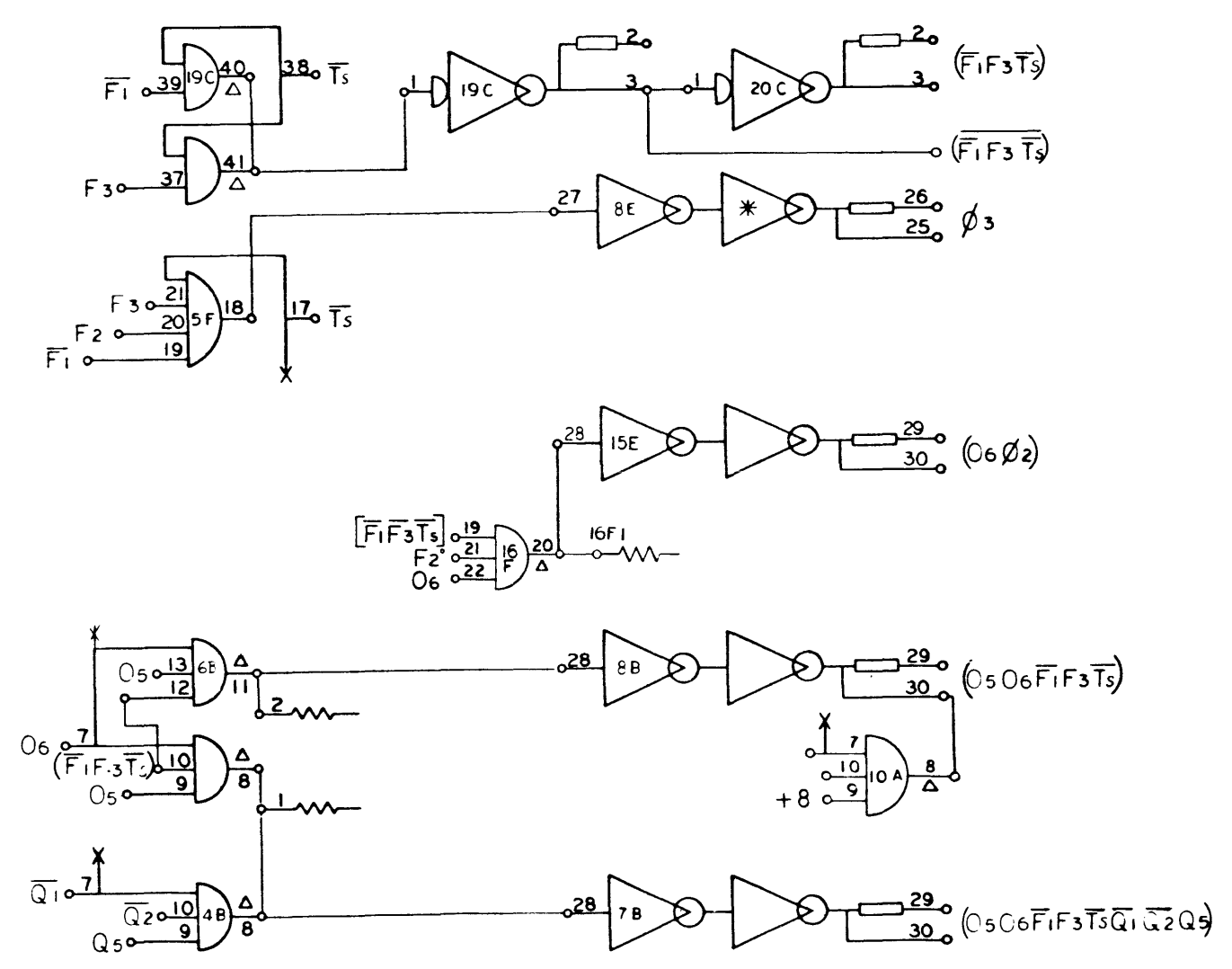


920  
Page 41  
F

101701

NO. REV.	DRAWING NO.	DESCRIPTION	REFERENCE DESIGNATION	ITEM NO.
MATERIAL LIST				
NOTES UNLESS SPECIFIED		DRAWN	<b>SDS</b> SCIENTIFIC DATA SYSTEMS 1522 FIFTEENTH STREET SANTA MONICA, CALIFORNIA	
1. TOLERANCES XX ± .000 ANGLULAR SEE 2. DIM 2 1/2"		CHECK	TITLE	
2. BREAK ALL SHARP EDGES BY APPROVE		APPR	<b>DIAGRAM, LOGIC COMPUTER</b>	
3. HATCH SURFACES 4. ALL DIM. IN INCHES				
MODEL NO. <b>920</b>		SCALE	DWG NO. <b>D 101701</b>	SHEET
NEXT ASSY.		DO NOT SCALE DRAWING		

REVISIONS				101701	
REV	DESCRIPTION	CHK	DATE	APPROVED	
A	RELEASED TO MFG				
J	SEE REV E.O.				

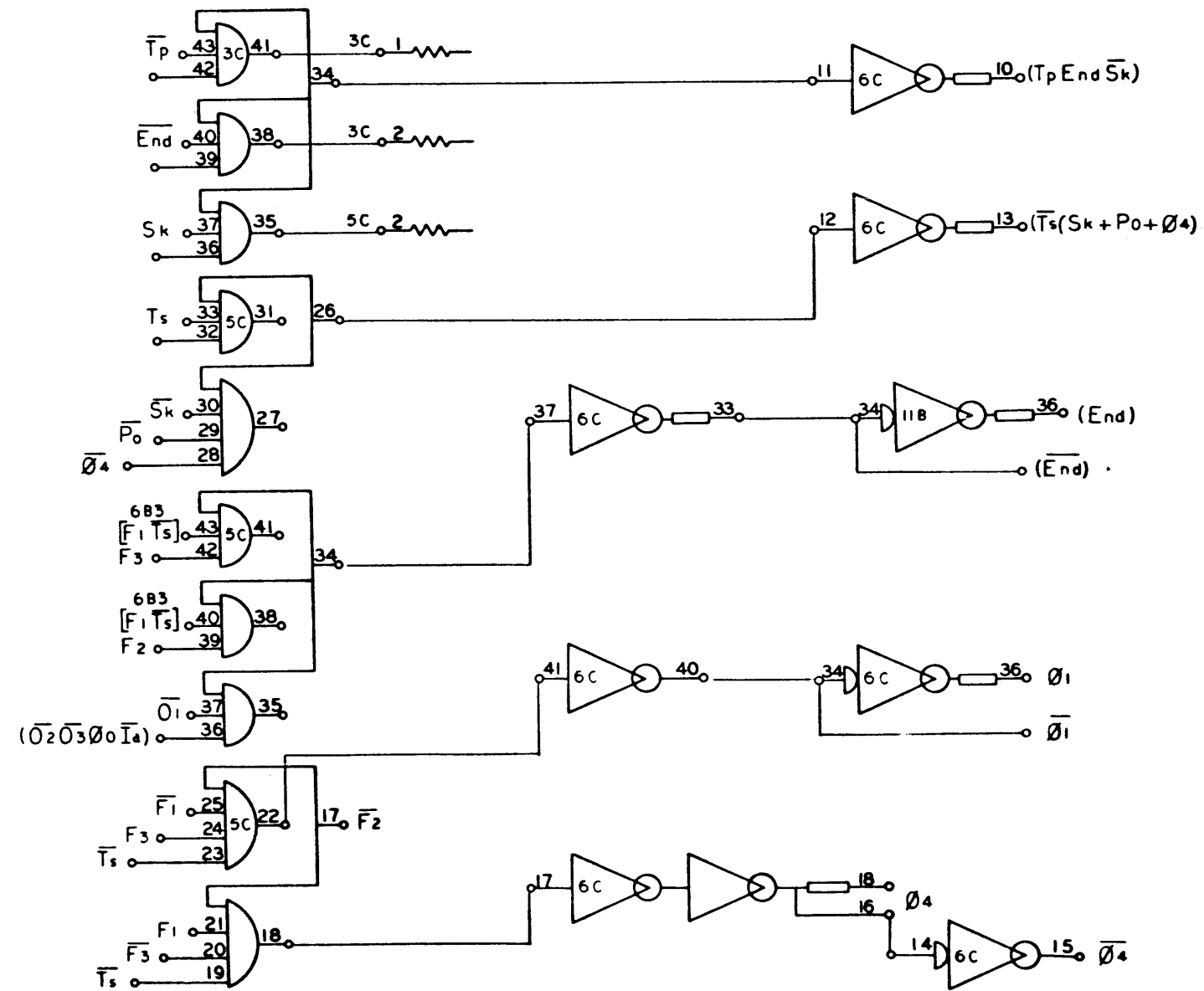


920  
Page 42  
J

NO. REQ.	DRAWING NO.	DESCRIPTION	REFERENCE DESIGNATION	ITEM NO.
MATERIAL LIST				
NOTES UNLESS SPECIFIED		DRAWN	SDS SCIENTIFIC DATA SYSTEMS 1542 FIFTEENTH STREET SANTA MONICA, CALIFORNIA	
1. TOLERANCES XX ± 0.000 ANGULAR XXX ± 0.10 2 1/2°		CHECK	TITLE	
2. BREAK ALL SHARP EDGES 0.10 APPROX		APPR	DIAGRAM, LOGIC COMPUTER	
3. MACH. SURFACES ✓				
4. ALL DIM. IN INCHES				
MODEL NO.	920	SIZE	DWG NO.	J
NEXT ASSY.		D	101701	
SCALE		DO NOT SCALE DRAWING SHEET		

101701 J

REV		DESCRIPTION		CHECK		DATE		APPROVED	
A		RELEASED TO MFG							

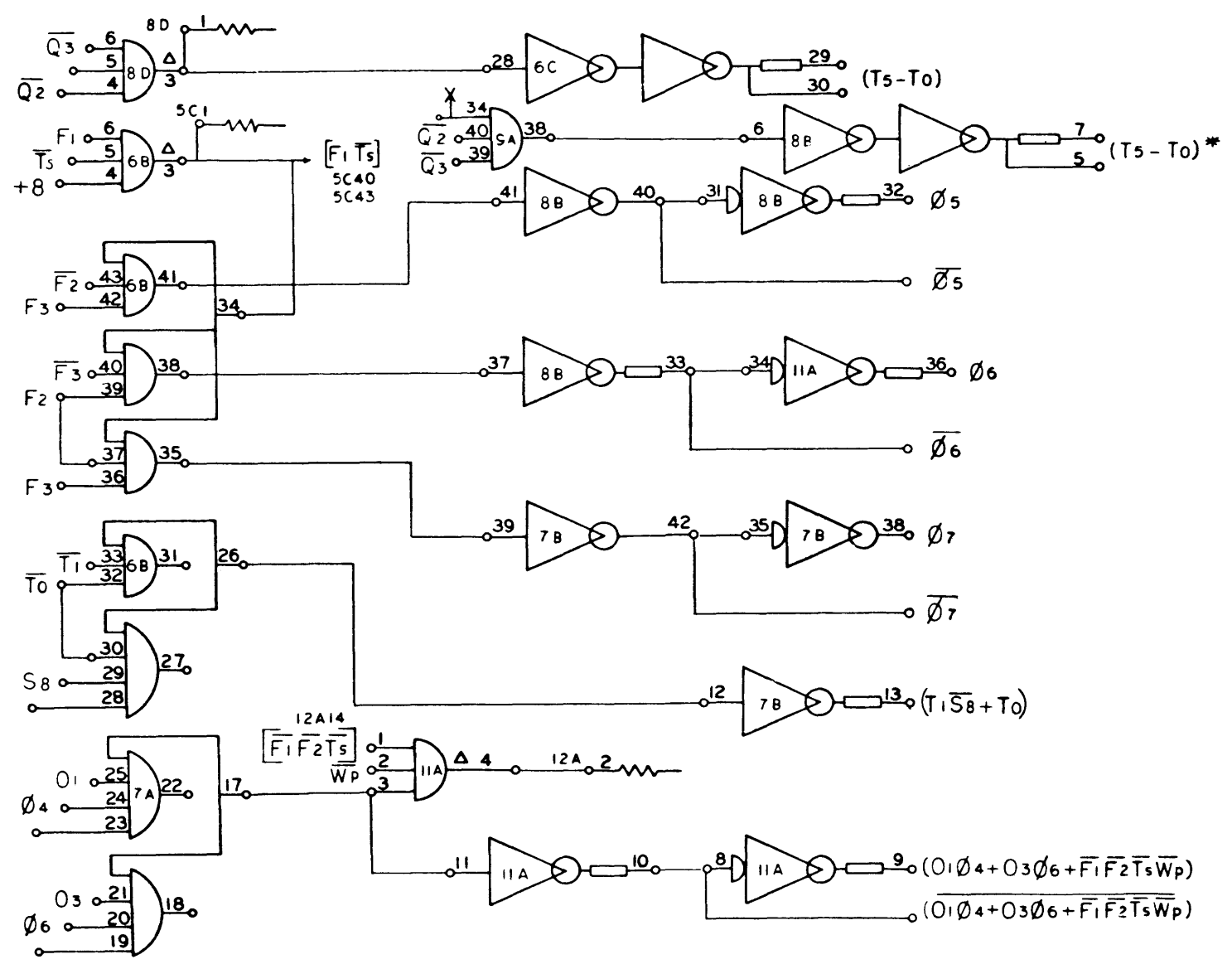


920  
Page 43

101701 A

NO. REV.	DRAWING NO.	DESCRIPTION	REFERENCE DESIGNATION	ITEM NO.
MATERIAL LIST				
NOTES UNLESS SPECIFIED: 1. TOLERANCES: LINEAR ± 0.005, ANGULAR ± 1/2° 2. BREAK ALL SHARP EDGES 0.10 APPROX 3. HATCH SURFACES ✓ 4. ALL DIM. IN INCHES				
MODEL NO. <b>920</b> NEXT ASSY.		TITLE: <b>DIAGRAM, LOGIC COMPUTER</b> SIZE: <b>D</b> DWG NO.: <b>101701</b> SHEET: <b>A</b>		
SCALE		DO NOT SCALE DRAWING		

REVISIONS				101701	A
REV	DESCRIPTION	CHK	DATE	APPROVED	
A	RELEASED TO MFG		11/13		



920  
Page 44

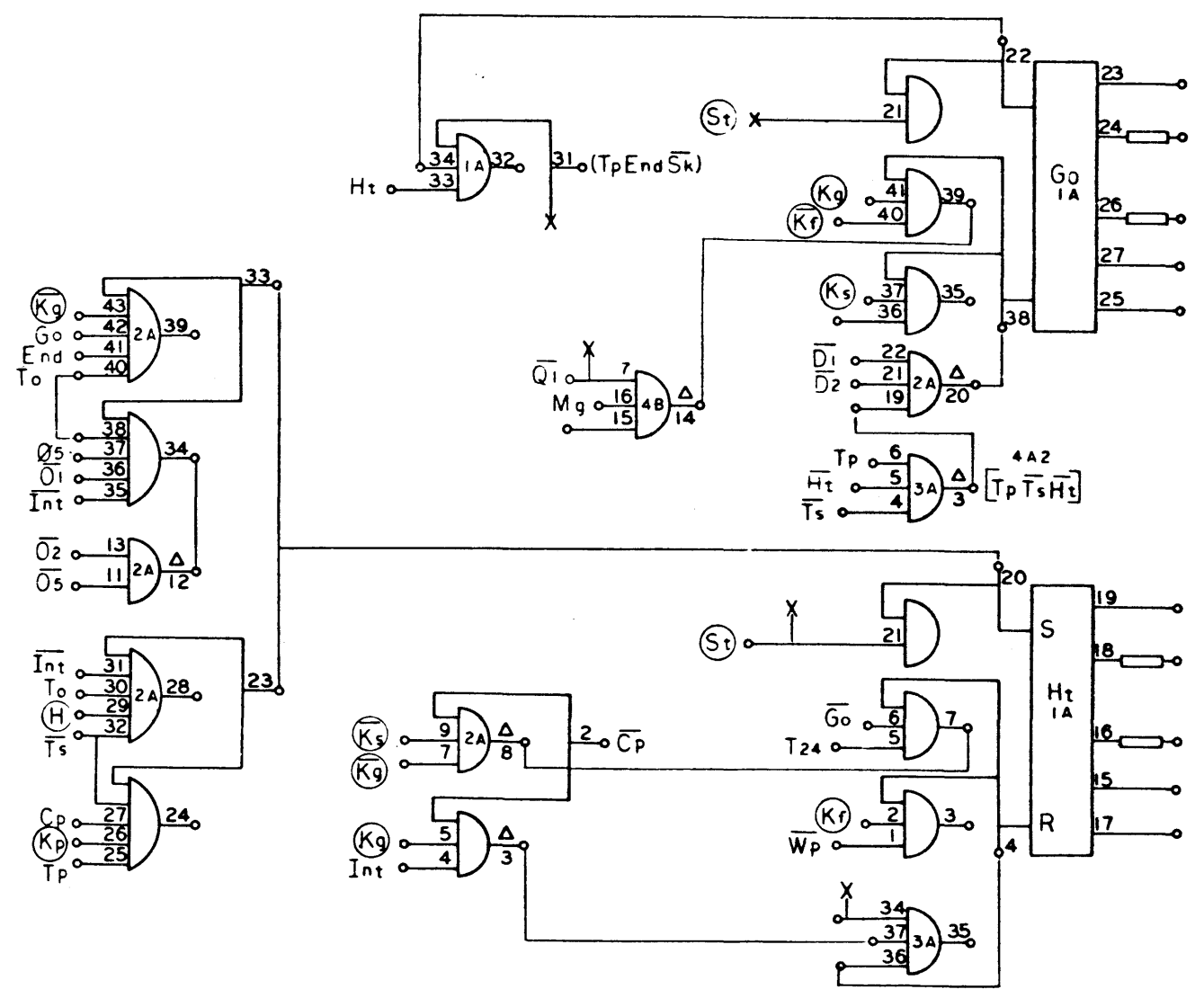
NO. REQ	DRAWING NO.	DESCRIPTION	REFERENCE DESIGNATION	ITEM NO.
MATERIAL LIST				
NOTES UNLESS SPECIFIED		DRAWN	CHECK	DATE
1. TOLERANCES XX ± .000 ANGLULAR XXX ± .010				11/13
2. BREAK ALL SHARP EDGES 2/10 APPROX		APPR		11/14
3. HATCH SURFACES ✓				
4. ALL DIM. IN INCHES				
		<b>SDS</b> SCIENTIFIC DATA SYSTEMS 1542 FIFTEENTH STREET, SANTA MONICA, CALIFORNIA		
		TITLE <b>DIAGRAM, LOGIC COMPUTER</b>		
MODEL NO.	920	SIZE	DWG NO.	A
NEXT ASSY.		D	101701	
		SCALE	DO NOT SCALE DRAWING	SHEET

101701-1A1





REV		DESCRIPTION		CHK	DATE	APPROVED
A		RELEASED TO MFG				

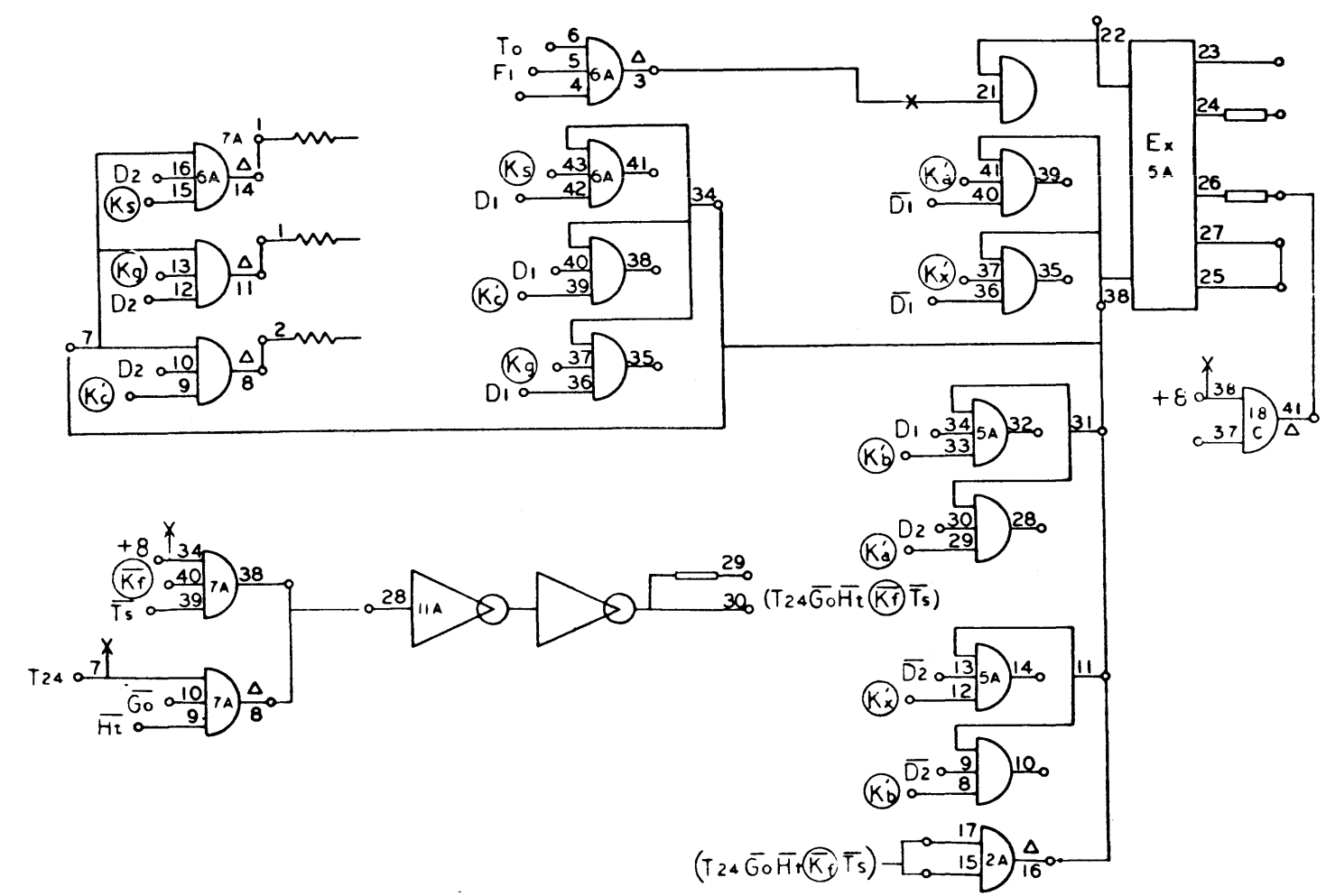


920  
Page 45

NO	REQ	DRAWING NO.	DESCRIPTION	REFERENCE DESIGNATION	ITEM NO.
MATERIAL LIST					
NOTES UNLESS SPECIFIED		DRAWN		<b>SDS</b> SCIENTIFIC DATA SYSTEMS 1502 FIFTEENTH STREET, SANTA MONICA, CALIFORNIA TITLE <b>DIAGRAM, LOGIC COMPUTER</b>	
1. TOLERANCES	XX ± 0.00	CHECK	<i>[Signature]</i> 11/1/67		
	XX ± 0.10	ANGULAR			
	XX ± 0.10	2 1/2°			
2. BREAK ALL SHARP EDGES AND APPROX.		APPR	<i>[Signature]</i> 11/1/67		
3. FINISH SURFACES	✓				
4. ALL DIM. IN INCHES					
MODEL NO.	920	SIZE	DWG NO.	101701	A
NEXT ASSY.		SCALE	DO NOT SCALE DRAWING	SHEET	

101701 1A

REV		DESCRIPTION		CHK	DATE	APPROVED
A		RELEASED TO MFG			11/13	[Signature]

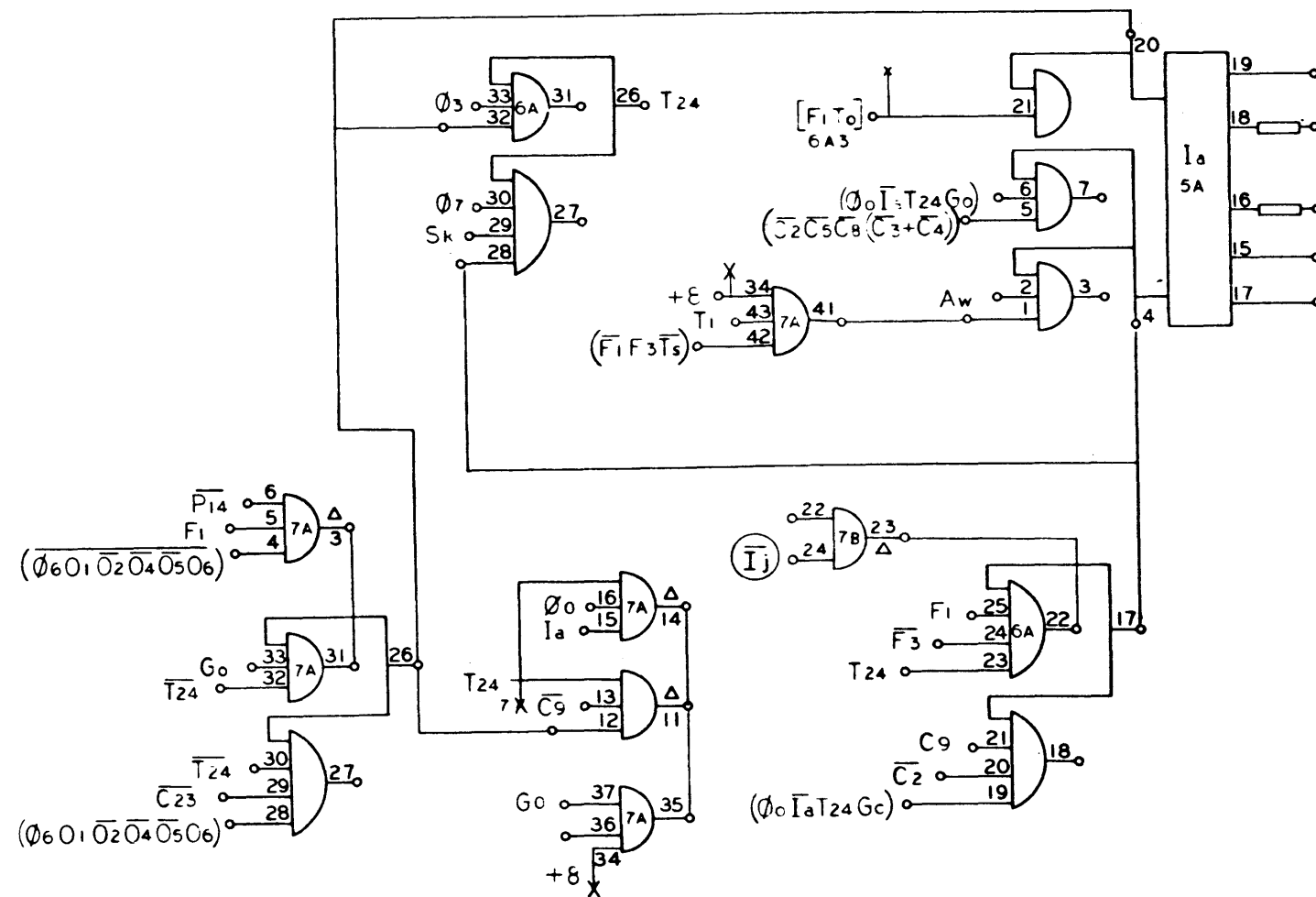


920  
Page 46

101701 | A |

NO. REQ.	DRAWING NO.	DESCRIPTION	REFERENCE DESIGNATION	ITEM NO.
MATERIAL LIST				
NOTES UNLESS SPECIFIED		DRAWN	CHECK	DATE
1. TOLERANCES XX ± 0.00 ANGULAR XXX ± 0.10 ± 15°		APPD		
2. BREAK ALL SHARP EDGES AND APPROVE				
3. HATCH SURFACES ✓				
4. ALL DIM. IN INCHES				
MODEL NO. 920		 1545 FIFTEENTH STREET SANTA MONICA CALIFORNIA		
NEXT ASSY.		TITLE <b>DIAGRAM, LOGIC COMPUTER</b>		
		SIZE	DWG NO.	
		D	101701	A
		SCALE	DO NOT SCALE DRAWING	SHEET

REVISIONS				101701		A
REV	DESCRIPTION	CHK	DATE	APPROVED		
A	RELEASED TO MFG					

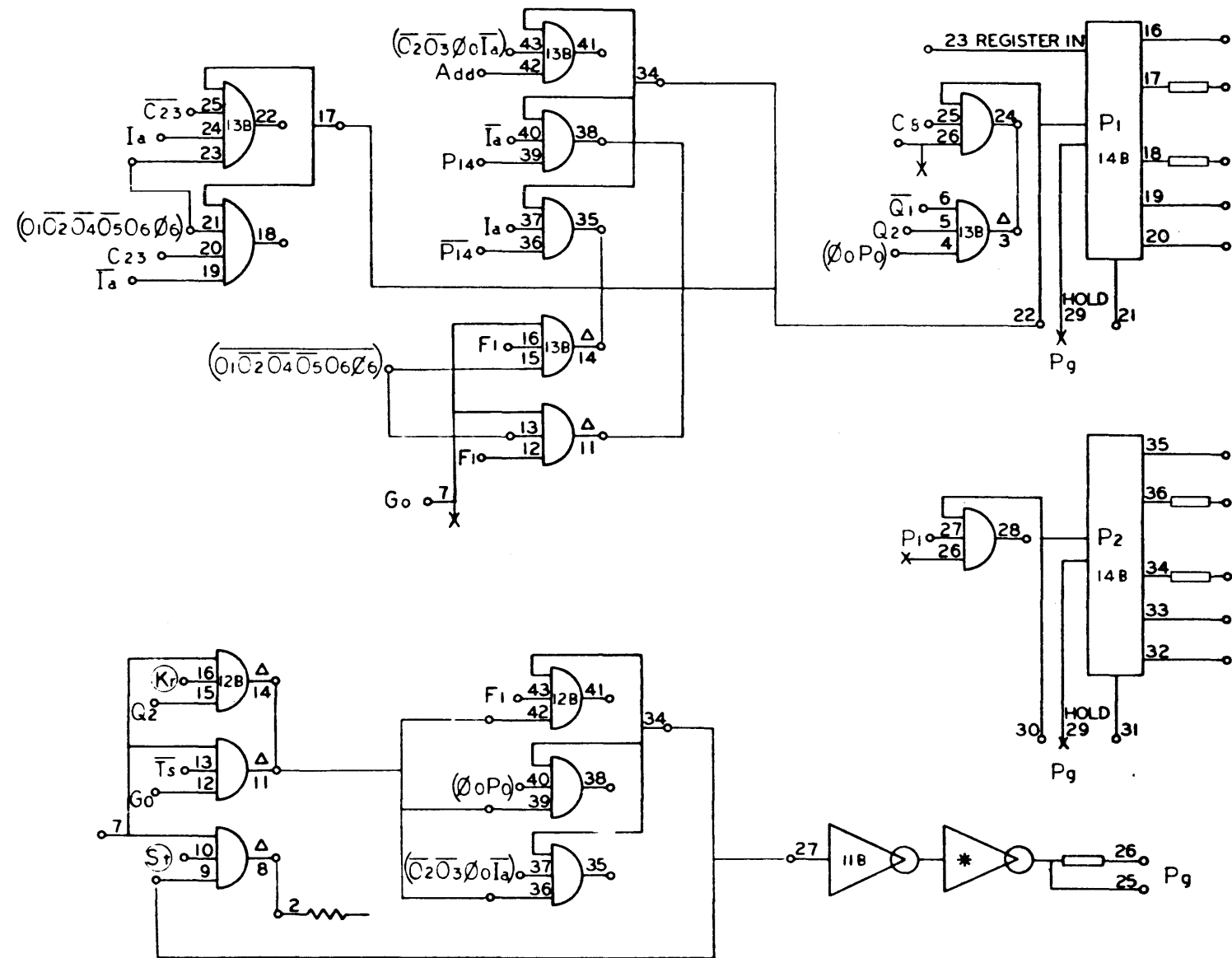


920  
Page 47

NO. REQ.	DRAWING NO.	DESCRIPTION	REFERENCE DESIGNATION	ITEM NO.
MATERIAL LIST				
NOTES UNLESS SPECIFIED 1. TOLERANCES .XX ± .000 ANGULAR .XX ± .010 ± 1/2" 2. BREAK ALL SHARP EDGES .010 APPROX 3. MACH SURFACES ✓ 4. ALL DIM. IN INCHES		DRAWN CHECK APPR	DATE DATE DATE	<b>SDS</b> SCIENTIFIC DATA SYSTEMS 1542 FIFTEENTH STREET SANTA MONICA CALIFORNIA TITLE <b>DIAGRAM, LOGIC            COMPUTER</b>
MODEL NO.	920	SIZE	DWG NO.	A
NEXT ASSY.		D	101701	
SCALE			DO NOT SCALE DRAWING SHEET	

101701 IA1

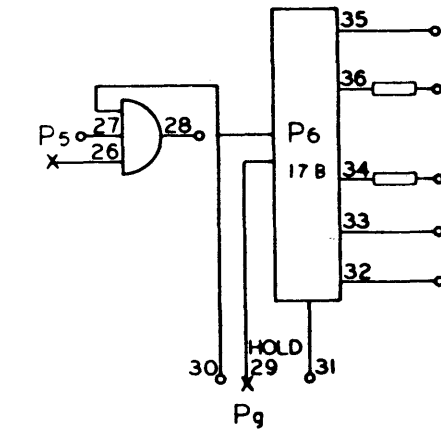
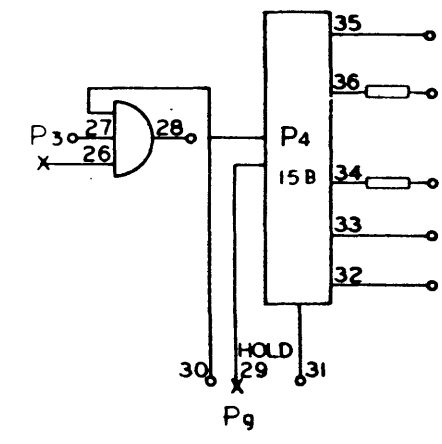
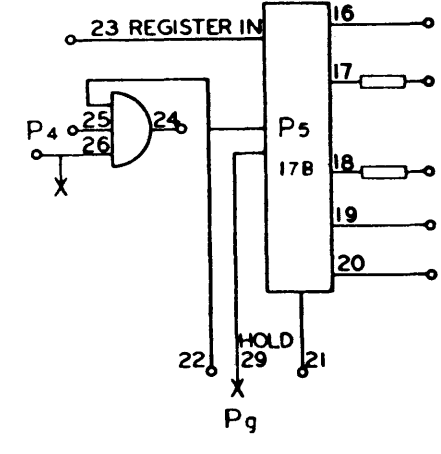
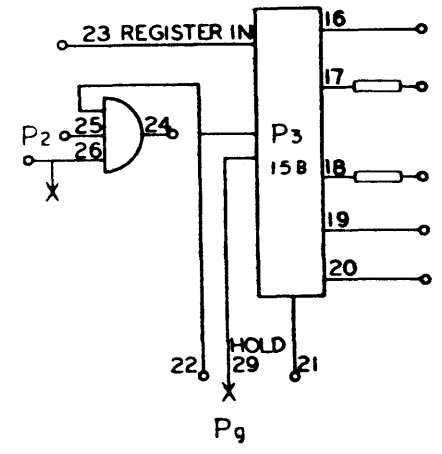
REVISIONS		101701		A
REV	DESCRIPTION	CHE	DATE	APPROVED
A	RELEASED TO MFG			<i>J. W. G.</i>



101701 | A |

NO. REG.	DRAWING NO.	DESCRIPTION	REFERENCE DESIGNATION	ITEM NO.
MATERIAL LIST				
NOTES UNLESS SPECIFIED 1. TOLERANCES .XX ± 0.00 ANGLULAR .XX ± 0.10 2 1/2" 2. BREAK ALL SHARP EDGES .010 APPROX. 3. MACH. SURFACES ✓ 4. ALL DIM. IN INCHES				
DRAWN		CHECK	DATE	TITLE
APPR				DIAGRAM, LOGIC COMPUTER
MODEL NO.		SIZE	DWG NO.	
920		D	101701	A
NEXT ASSY.		SCALE	DO NOT SCALE DRAWING	SHEET

REVISIONS				101701	A
REV	DESCRIPTION	CHK	DATE	APPROVED	
A	RELEASED TO MFG				

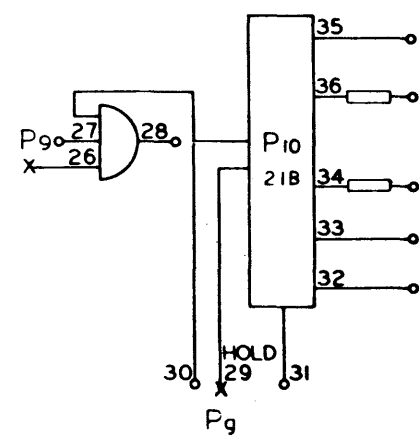
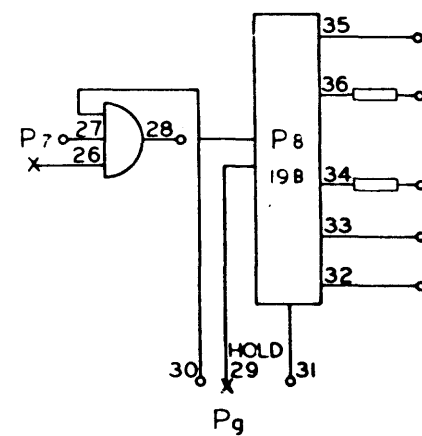
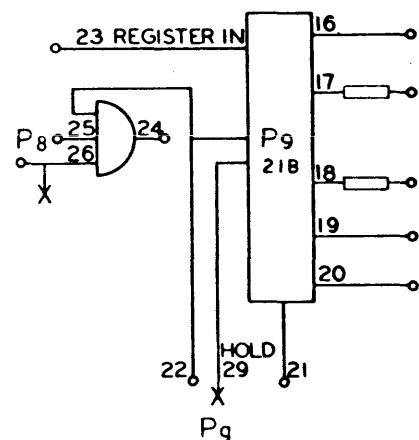
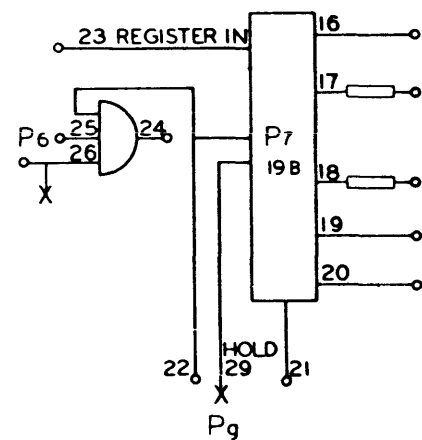


920  
Page 49

NO. REQ.	DRAWING NO.	DESCRIPTION	REFERENCE DESIGNATION	ITEM NO.
MATERIAL LIST				
NOTES UNLESS SPECIFIED		DRAWN	<b>SDS</b> SCIENTIFIC DATA SYSTEMS 1825 FIFTEENTH STREET SANTA MONICA CALIFORNIA	
1. TOLERANCES XX ± .000 ANGULAR SEE C DIM		CHECK <i>[Signature]</i> 1/3/61		
2. BREAK ALL SHARP EDGES 3.10 APPROX 3. MACH SURFACES ✓ 4. ALL DIM. IN INCHES		APPR <i>[Signature]</i> 1/1/61		
MODEL NO. 920		TITLE DIAGRAM, LOGIC COMPUTER		SIZE D
NEXT ASSY.		DWG NO. 101701		A
SCALE			DO NOT SCALE DRAWING SHEET	

101701-1A1

REVISIONS			101701	A
REV	DESCRIPTION	CHK	DATE	APPROVED
A	RELEASED TO MFG			

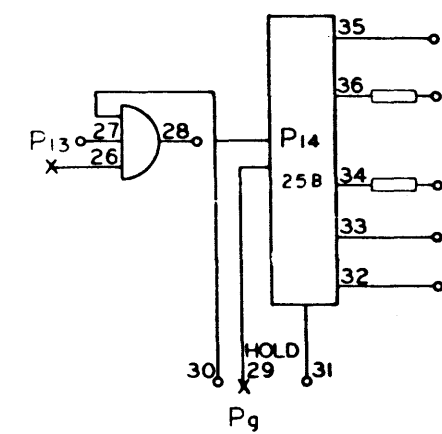
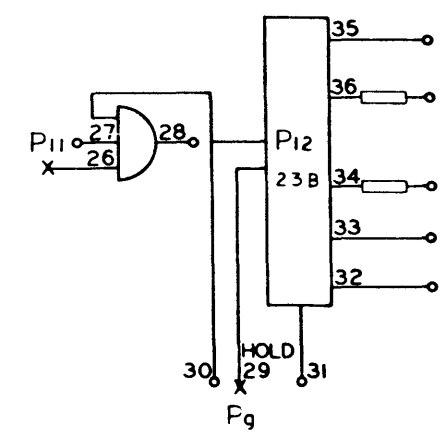
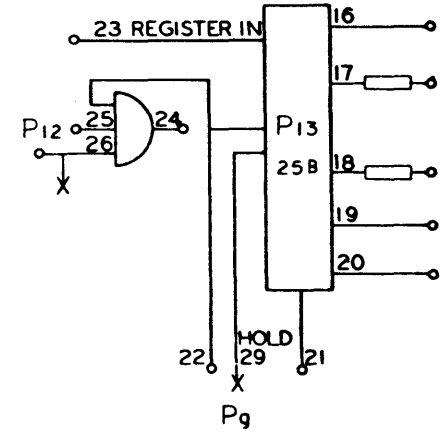
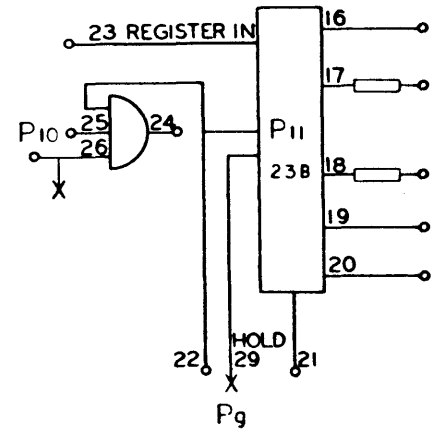


920  
Page 50

101701 | A |

NO. REQ.	DRAWING NO.	DESCRIPTION	REFERENCE DESIGNATION	ITEM NO.
MATERIAL LIST				
NOTES UNLESS SPECIFIED		DRAWN	<b>SDS</b> SCIENTIFIC DATA SYSTEMS 1542 FIFTEENTH STREET SANTA MONICA CALIFORNIA	
1. TOLERANCES XX - .030 ANGULAR .518 ± .010 .254		CHECK	TITLE <b>DIAGRAM, LOGIC COMPUTER</b>	
2. BREAK ALL SHARP EDGES .010 APPROX		APPR		
3. MACH SURFACES ✓			MODEL NO. <b>920</b>	
4. ALL DIM. IN INCHES			NEXT ASSY.	
			SIZE <b>D</b>	DWG NO. <b>101701</b>
			A	
		SCALE	DO NOT SCALE DRAWING SHEET	

REV		REVISIONS			101701	A
DESCRIPTION		CHK	DATE	APPROVED		
RELEASED TO MFG						



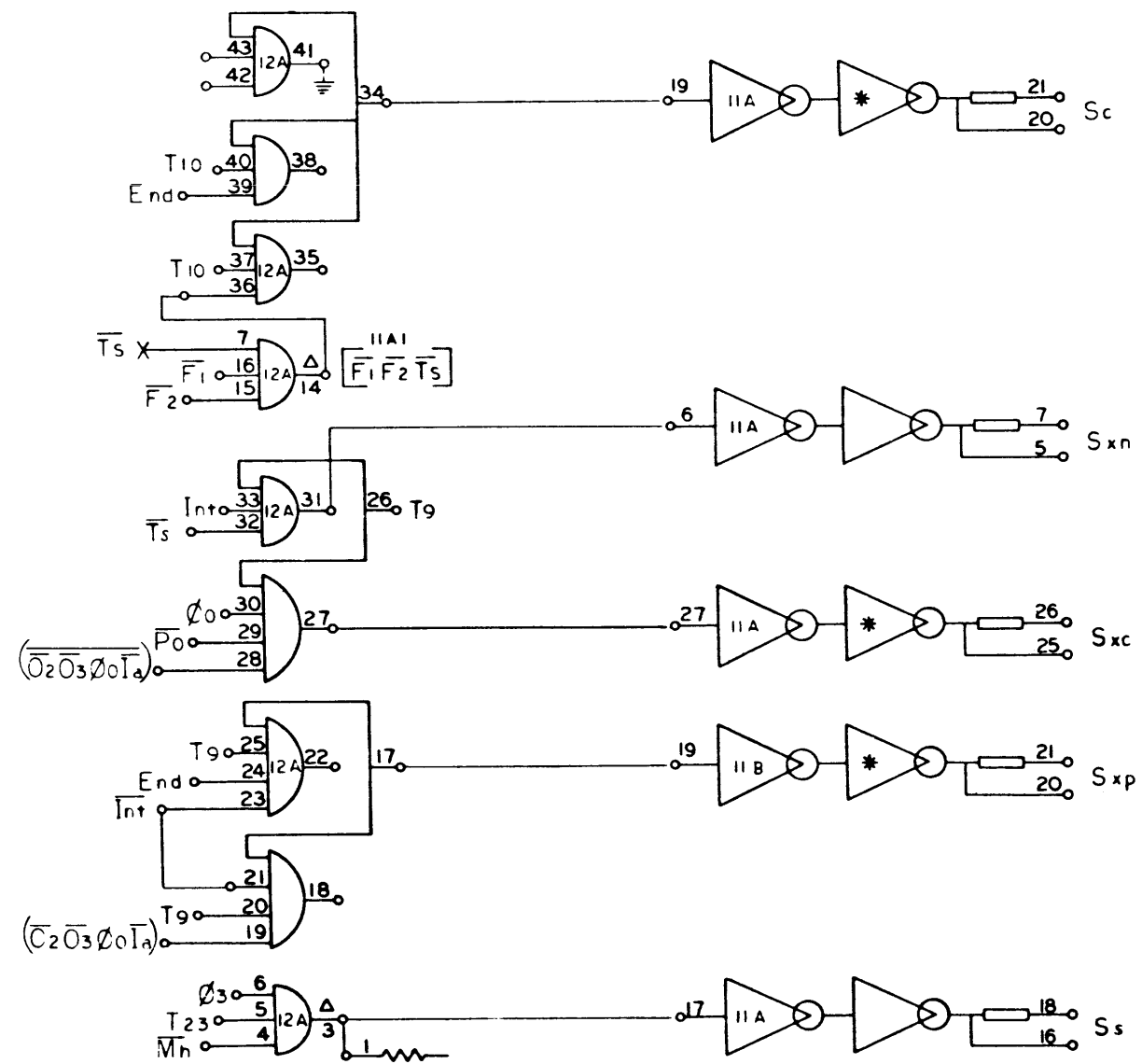
920  
Page 51

NO. REQ.	DRAWING NO.	DESCRIPTION	REFERENCE DESIGNATION	ITEM NO.
MATERIAL LIST				
NOTES UNLESS SPECIFIED		DRAWN	SDS SCIENTIFIC DATA SYSTEMS	
1. TOLERANCES XX ± .000 ANGULAR SEE ± DIM		CHECK	1542 FIFTEENTH STREET SANTA MONICA CALIFORNIA	
2. BREAK ALL SHARP EDGES 3. MACH SURFACES ✓		APPR	TITLE	
4. ALL DIM. IN INCHES			DIAGRAM, LOGIC COMPUTER	
MODEL NO.	920	SCALE	DWG NO.	A
NEXT ASSY.		SCALE	DO NOT SCALE DRAWING	SHEET

101701/A1



REV		DESCRIPTION		REVISIONS		101701	A
NO	DATE	CHK	DATE	CHK	DATE	APPROVED	
A						RELEASED TO MFG	

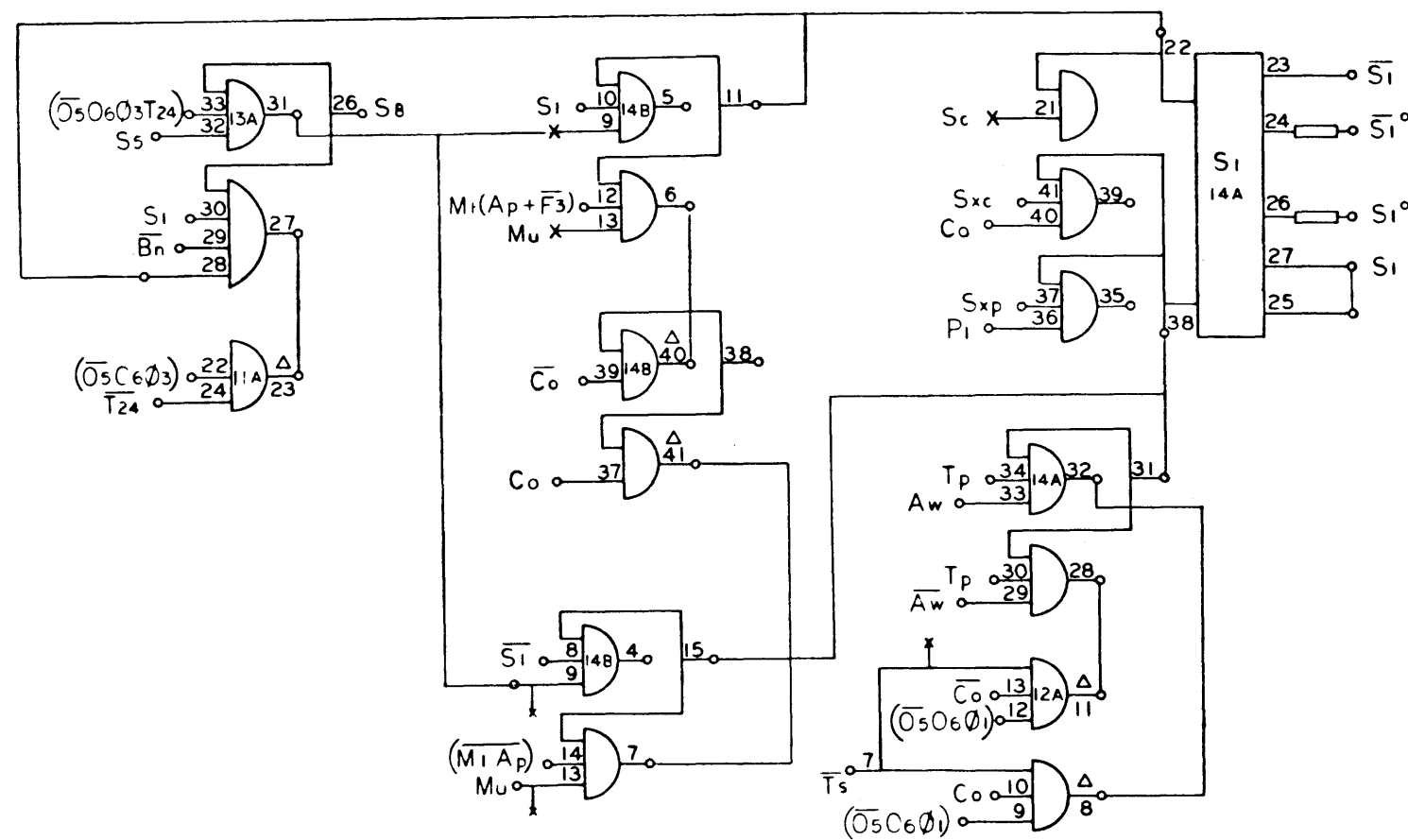


920  
Page 52

101701 A

NO. REQ.	DRAWING NO.	DESCRIPTION	REFERENCE DESIGNATION	ITEM NO.
MATERIAL LIST				
NOTES UNLESS SPECIFIED: 1. TOLERANCES: .30 ± .000 ANGULAR .333 ± .010 2. BREAK ALL SHARP EDGES .010 APPROX. 3. MACH SURFACES ✓ 4. ALL DIM. IN INCHES				
DRAWN				
CHECK				
APPR				
SDS SCIENTIFIC DATA SYSTEMS 1525 FIFTEENTH STREET, SANTA MONICA, CALIFORNIA				
TITLE: DIAGRAM, LOGIC COMPUTER				
MODEL NO. 920		SIZE D	DWG NO. 101701	A
NEXT ASSY.		SCALE: DO NOT SCALE DRAWING SHEET		

REVISIONS		101701		A
REV	DESCRIPTION	CHK	DATE	APPROVED
A	RELEASED TO MFG			

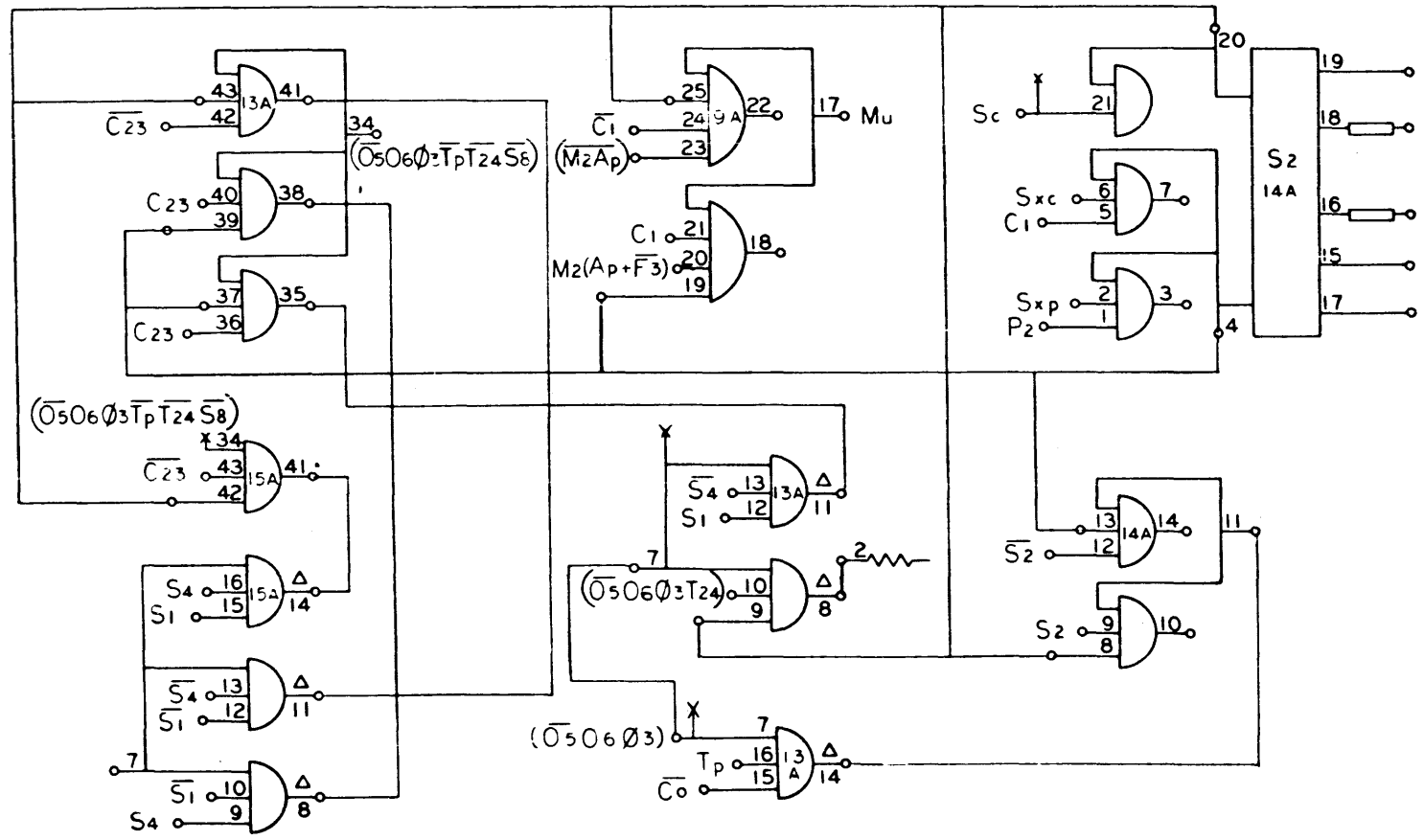


920  
Page 53

NO. REQ.	DRAWING NO.	DESCRIPTION	REFERENCE DESIGNATION	ITEM NO.
MATERIAL LIST				
NOTES UNLESS SPECIFIED		DRAWN	<b>SDS</b> SCIENTIFIC DATA SYSTEMS <small>1545 FIFTEENTH STREET, SANTA MONICA, CALIFORNIA</small>	
1. TOLERANCES <small>XX ± .000 ANGULAR            .XX ± .010</small>		CHECK		
2. BREAK ALL SHARP EDGES <small>.010 APPROX</small>		APPR	TITLE <b>DIAGRAM, LOGIC            COMPUTER</b>	
3. MACH SURFACES ✓				
4. ALL DIM. IN INCHES				
MODEL NO.	920	SIZE	DWG NO.	A
NEXT ASSY		D	101701	
SCALE		DO NOT SCALE DRAWING		SHEET

101701 | A |

REVISIONS				101701	3
REV	DESCRIPTION	CHK	DATE	APPROVED	
A	RELEASED TO MFG				
B	SEE REV. E.C.				

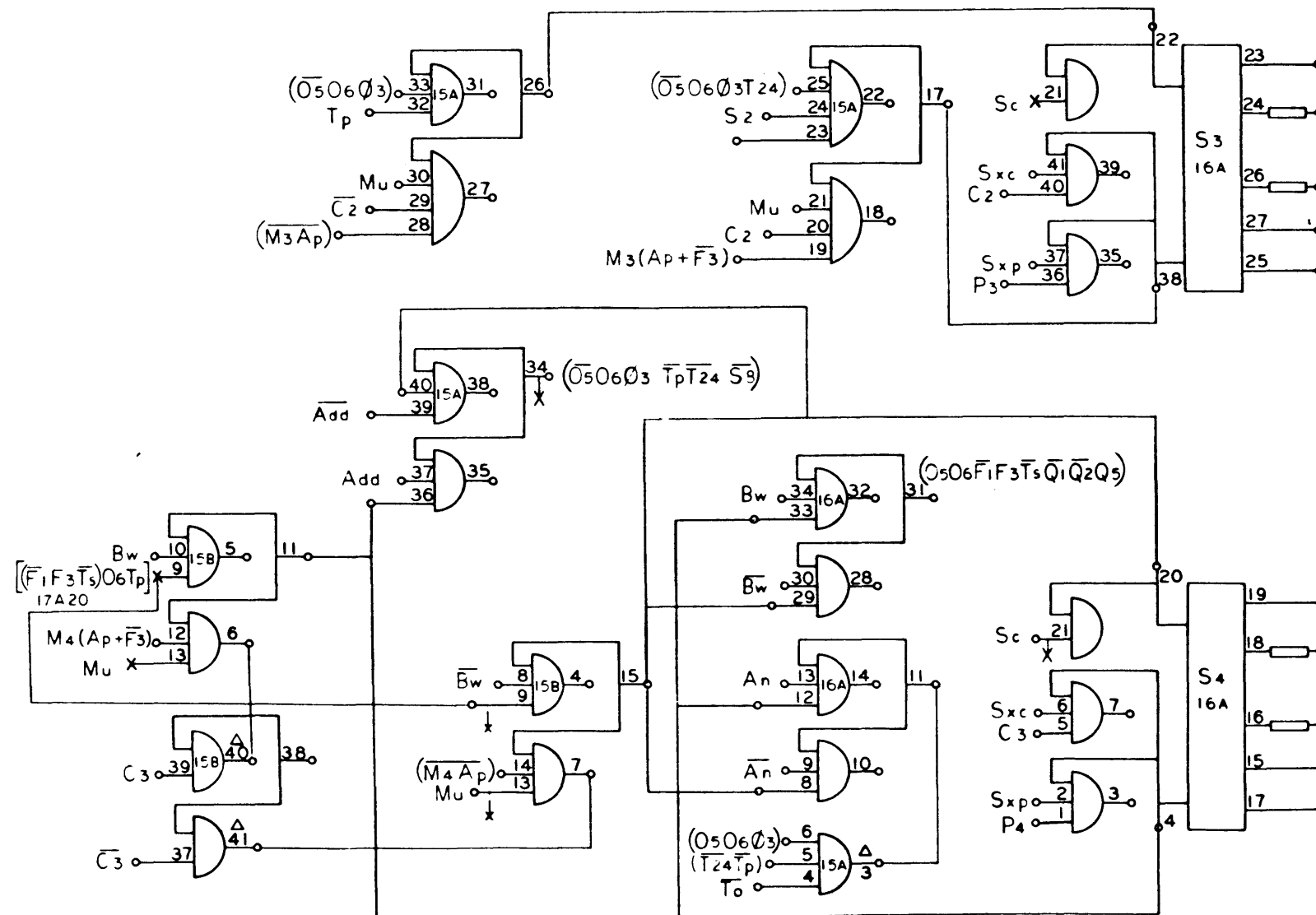


920  
Page 54  
B

101701 | B |

NO. REQ.	DRAWING NO.	DESCRIPTION	REFERENCE DESIGNATION	ITEM NO.
MATERIAL LIST				
NOTES UNLESS SPECIFIED: 1. TOLERANCES: .XX ± .000    ANGULAR ± 1/2° .XXX ± .000 2. BREAK ALL SHARP EDGES .010 RADIUS 3. BACK SURFACES ✓ 4. ALL DIM. IN INCHES				
MODEL NO. 920 NEXT ASSY.		TITLE <b>SDS</b> SCIENTIFIC DATA SYSTEMS 1542 FIFTEENTH STREET, SANTA MONICA, CALIFORNIA <b>DIAGRAM, LOGIC COMPUTER</b>		
SCALE		DO NOT SCALE DRAWINGS		SHEET
		SIZE DWG NO. <b>D 101701</b>		<b>B</b>

REV		DESCRIPTION		CHE	DATE	APPROVED	101701	A
A		RELEASED TO MFG						

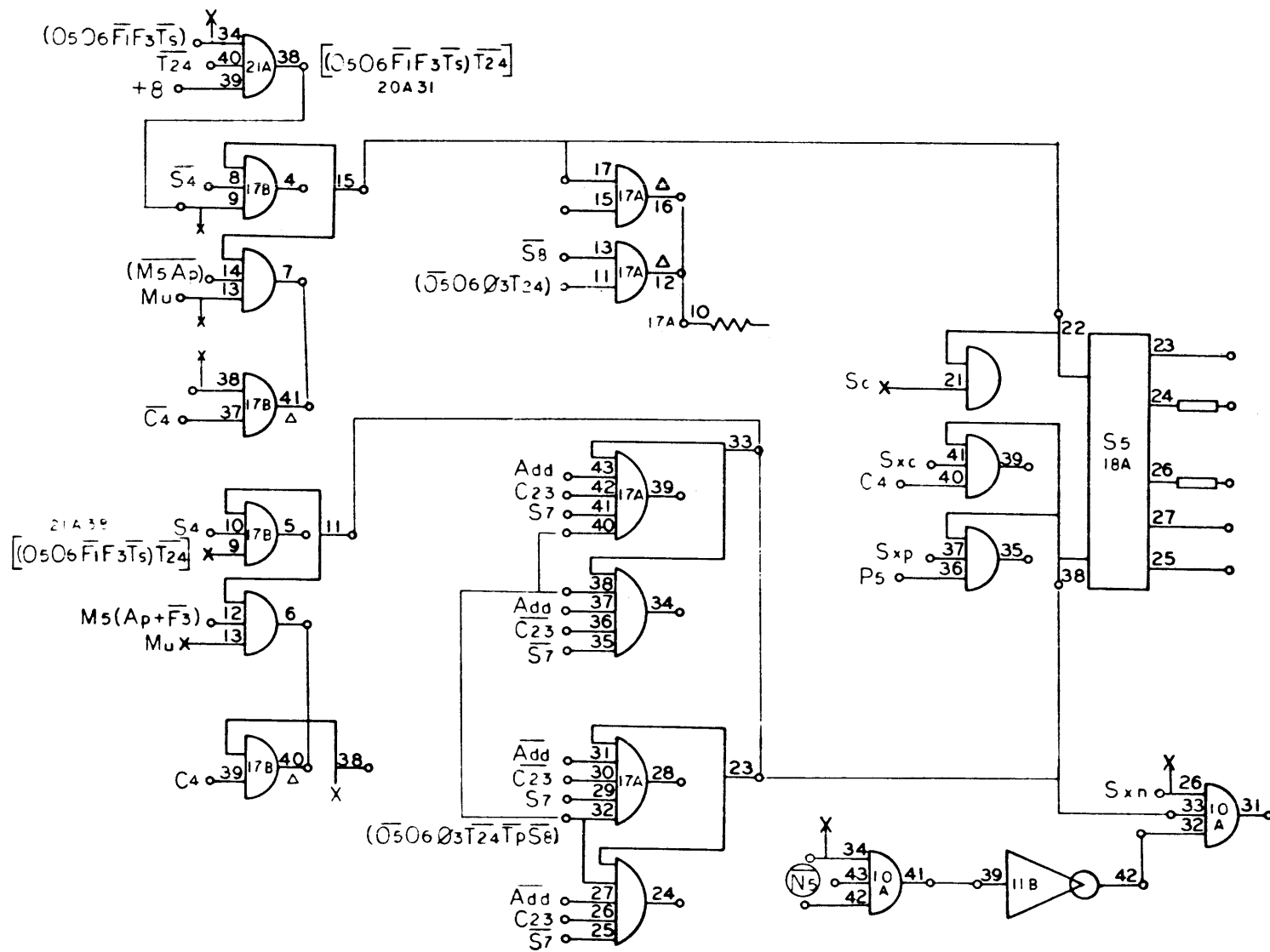


920  
Page 55

NO. REQ.	DRAWING NO.	DESCRIPTION	REFERENCE DESIGNATION	ITEM NO.
MATERIAL LIST				
NOTES UNLESS SPECIFIED				
1. TOLERANCES XX ± .010 ANGLAR ± 1° XX ± .010				
2. BREAK ALL SHARP EDGES .010 APPROX				
3. MACH SURFACES ✓				
4. ALL DIM. IN INCHES				
MODEL NO. 920		SIZE D		DWG NO. 101701
NEXT ASSY.		SCALE DO NOT SCALE DRAWING		SHEET A

101701 (A)

REV		DESCRIPTION		REVISIONS		101701		A	
REV	DESCRIPTION	CHK	DATE	APPROVED	CHK	DATE	APPROVED	CHK	DATE
A	RELEASED TO MFG								

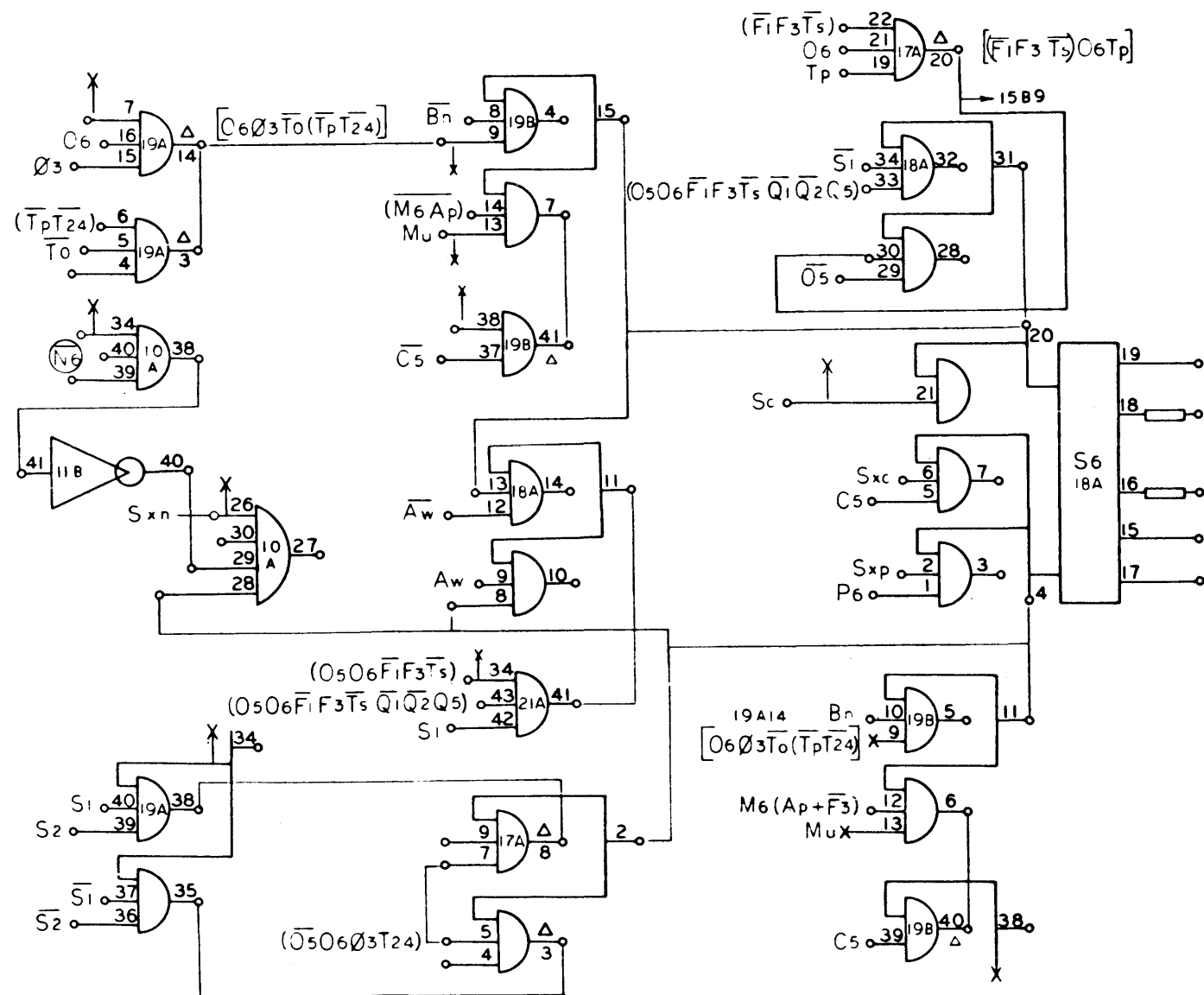


920  
Page 56

NO. REQ.	DRAWING NO.	DESCRIPTION	REFERENCE DESIGNATION	ITEM NO.
MATERIAL LIST				
NOTES UNLESS SPECIFIED		DRAWN	CHECK	DATE
1. TOLERANCES 25 ± .030 ANGULAR RES ± .010		5/4	1/13/61	
2. BREAK ALL SHARP EDGES .010 APPROX		APPR	1/18/61	
3. MACH SURFACES ✓				
4. ALL DIM. IN INCHES				
MODEL NO. 920		SIZE D		DWG NO. 101701
NEXT ASSY.		SCALE DO NOT SCALE DRAWING		SHEET A

101701 A

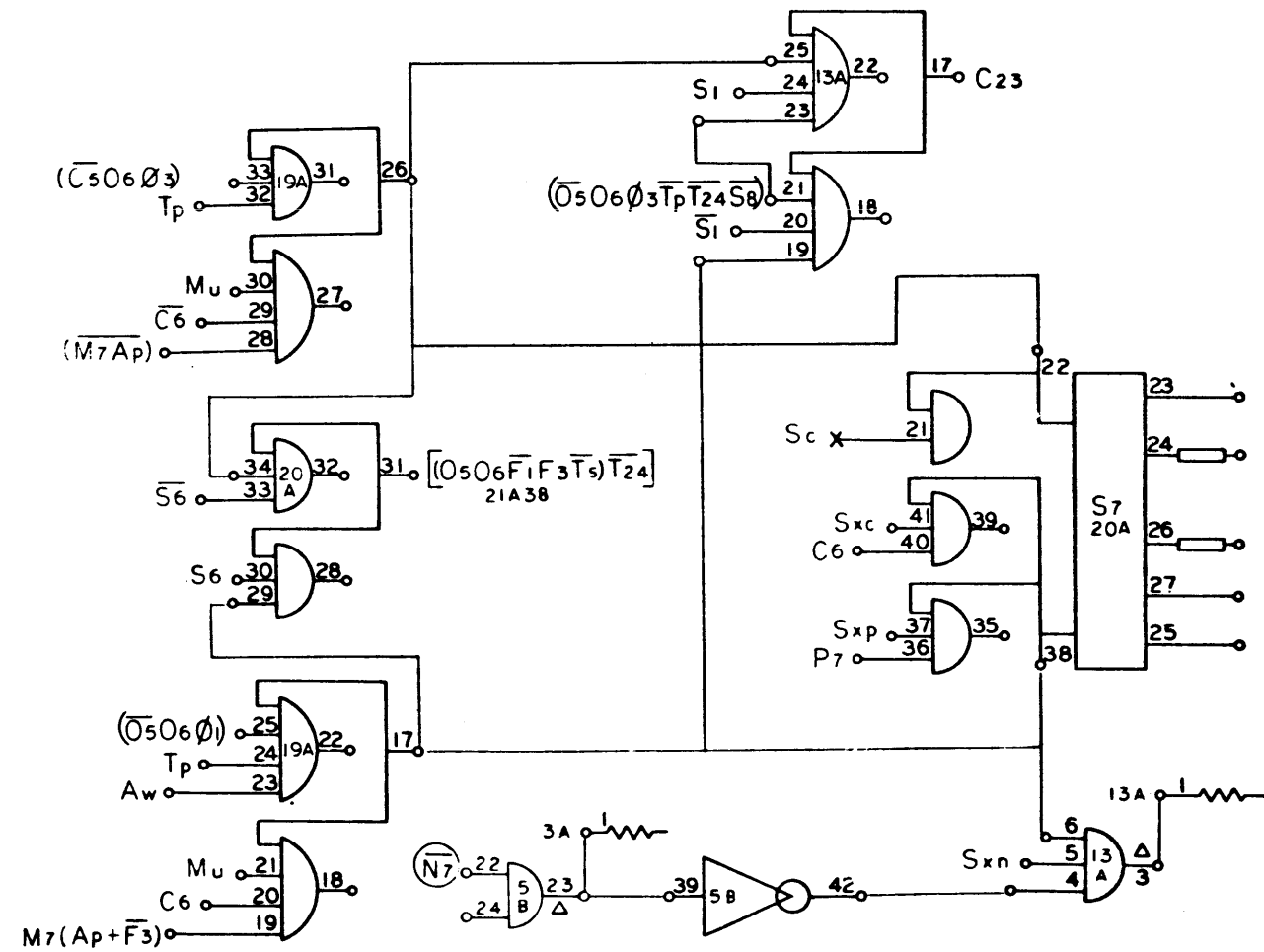
REV		DESCRIPTION		CHE	DATE	APPROVED
A		RELEASED TO MFG			1/13	



920  
Page 57

NO. REQ.	DRAWING NO.	DESCRIPTION	REFERENCE DESIGNATION	ITEM NO.
NOTES UNLESS SPECIFIED 1. TOLERANCES: 22 - 0.00 ANGULAR 0.12 2. BREAK ALL SHARP EDGES 0.10 APPROX 3. HATCH SURFACES ✓ 4. ALL DIM. IN INCHES				
DRAWN: [Signature] CHECK: [Signature] APPR: [Signature]		<b>SDS</b> SCIENTIFIC DATA SYSTEMS 1542 FIFTEENTH STREET SANTA MONICA CALIFORNIA TITLE: <b>DIAGRAM, LOGIC COMPUTER</b>		
MODEL NO.	920	SIZE	DWG NO.	A
NEXT ASSY		SCALE	DO NOT SCALE DRAWING	SHEET

REV		REVISIONS			101701	B
REV	DESCRIPTION	CHK	DATE	APPROVED		
A	RELEASED TO MFG	JH	1/13	[Signature]		
B	SEE REV. E.O.	JH	1/15	[Signature]		

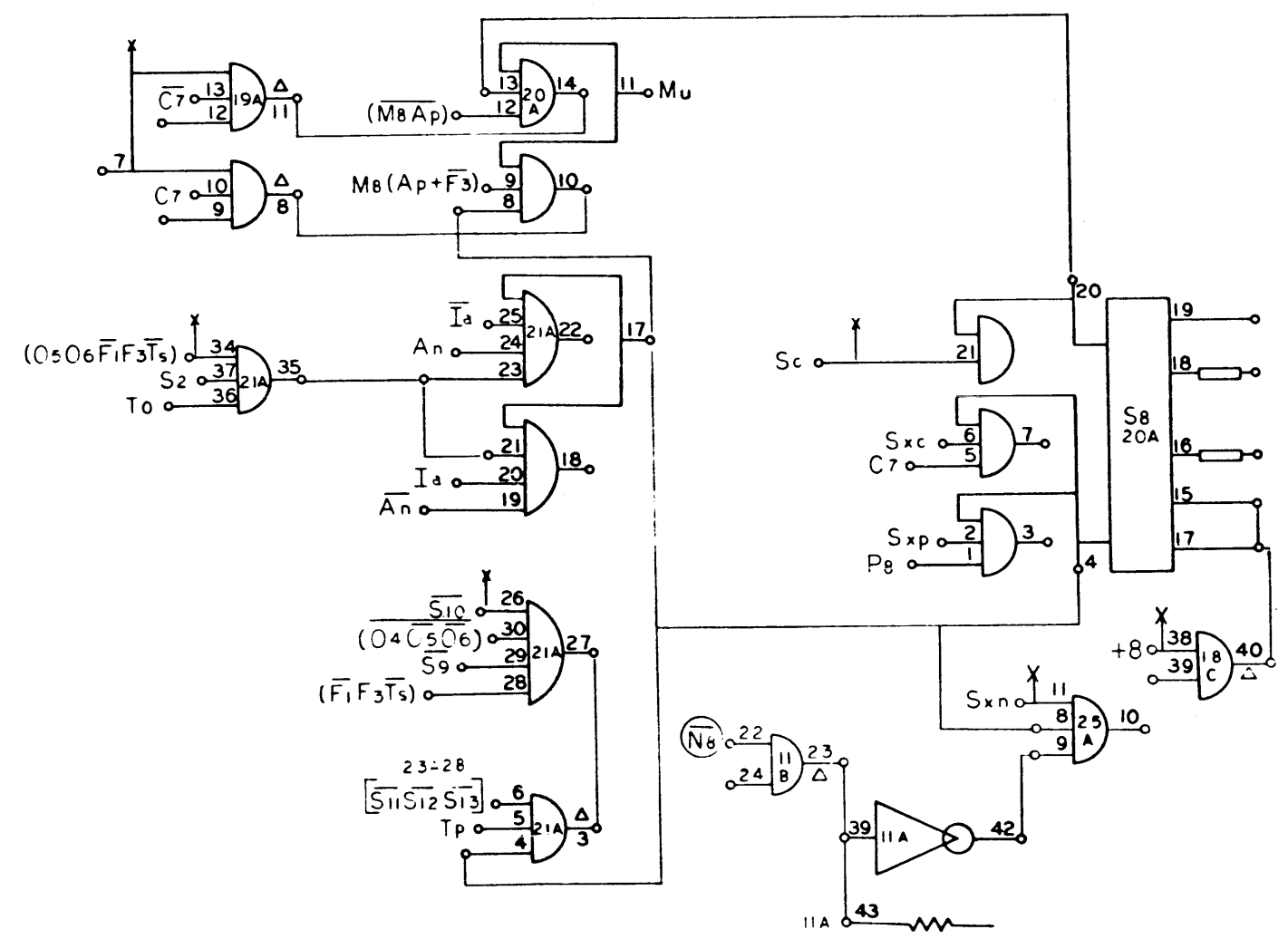


920  
Page 58  
B

101701 B

NO. REV.	DRAWING NO.	DESCRIPTION	REFERENCE DESIGNATION	ITEM NO.
MATERIAL LIST				
NOTES UNLESS SPECIFIED		DRAWN	CHECK	DATE
1. TOLERANCES XX ± .010 ANGULAR XX ± .010 ± 1/2°		APPD	[Signature]	1/17
2. BREAK ALL SHARP EDGES 0.10 APPROX		<b>SDS</b> SCIENTIFIC DATA SYSTEMS 1542 FIFTEENTH STREET, SANTA MONICA, CALIFORNIA		
3. DASH SURFACES				
4. ALL DIM. IN INCHES		<b>DIAGRAM, LOGIC COMPUTER</b>		
MODEL NO.	920	SIZE	DWS NO.	B
NEXT ASSY.		D	101701	
SCALE		DO NOT SCALE DRAWING		SHEET

REVISIONS				101701	A
REV	DESCRIPTION	CHK	DATE	APPROVED	
A	RELEASED TO MFG		1/13/67		



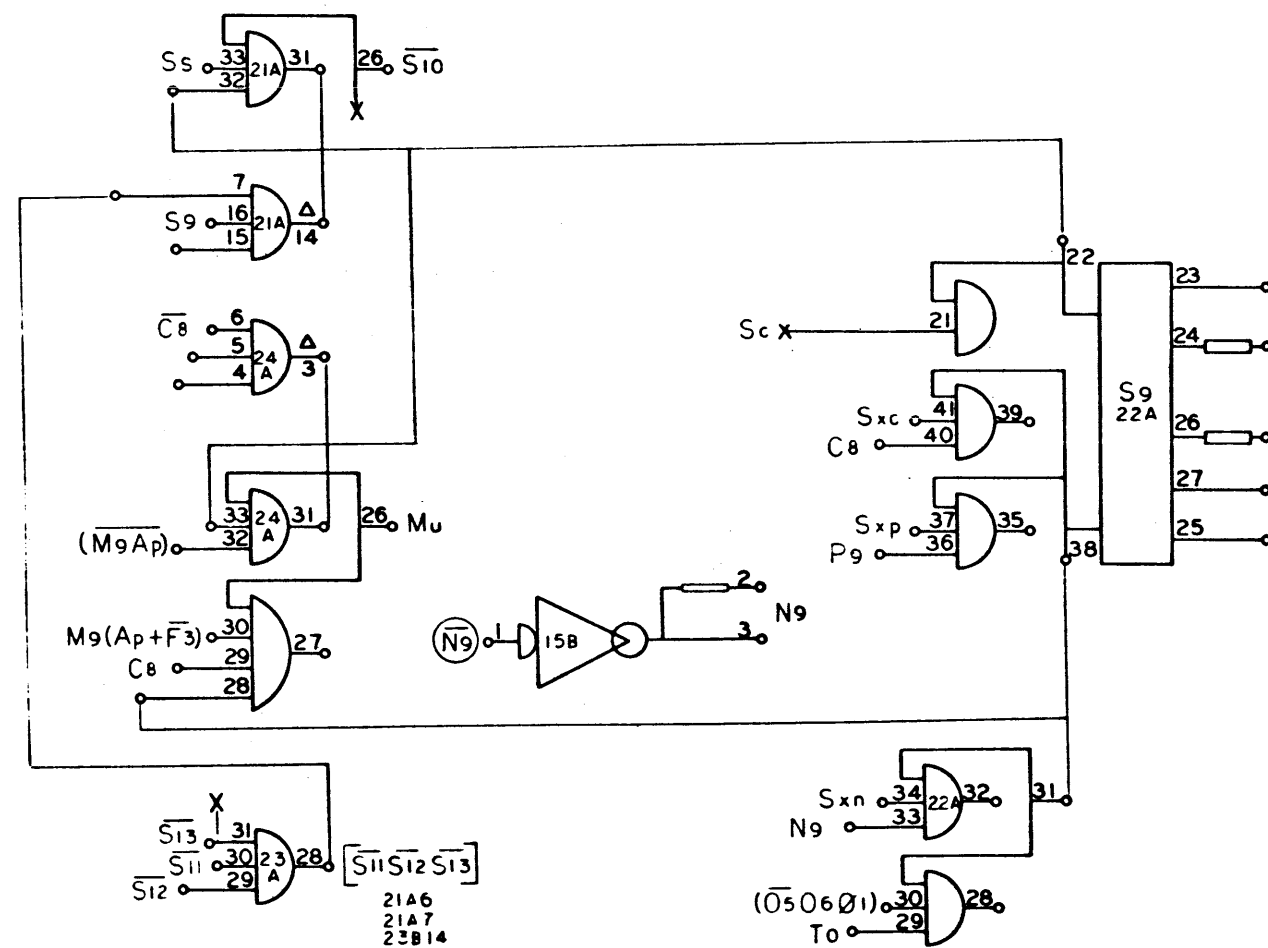
920  
Page 59

NO. REQ.	DRAWING NO.	DESCRIPTION	REFERENCE DESIGNATION	ITEM NO.
MATERIAL LIST				
NOTES UNLESS SPECIFIED		DRAWN	SDS SCIENTIFIC DATA SYSTEMS 1942 FIFTEENTH STREET SANTA MONICA CALIFORNIA	
1. TOLERANCES 23 ± .000 ANGULAR 25 ± .010 2°		CHECK	TITLE	
2. BREAK ALL SHARP EDGES 3. HATCH SURFACES ✓		APPR	DIAGRAM, LOGIC COMPUTER	
4. ALL DIMS. IN INCHES				
MODEL NO.	920	SIZE	DWG NO.	A
NEXT ASSY.		SCALE	101701	
			DO NOT SCALE DRAWING	SHEET

101701 A1



REV		DESCRIPTION		REVISIONS		101701		A	
REV	DESCRIPTION	CHK	DATE	APPROVED	REV	DESCRIPTION	CHK	DATE	APPROVED
A	RELEASED TO MFG								

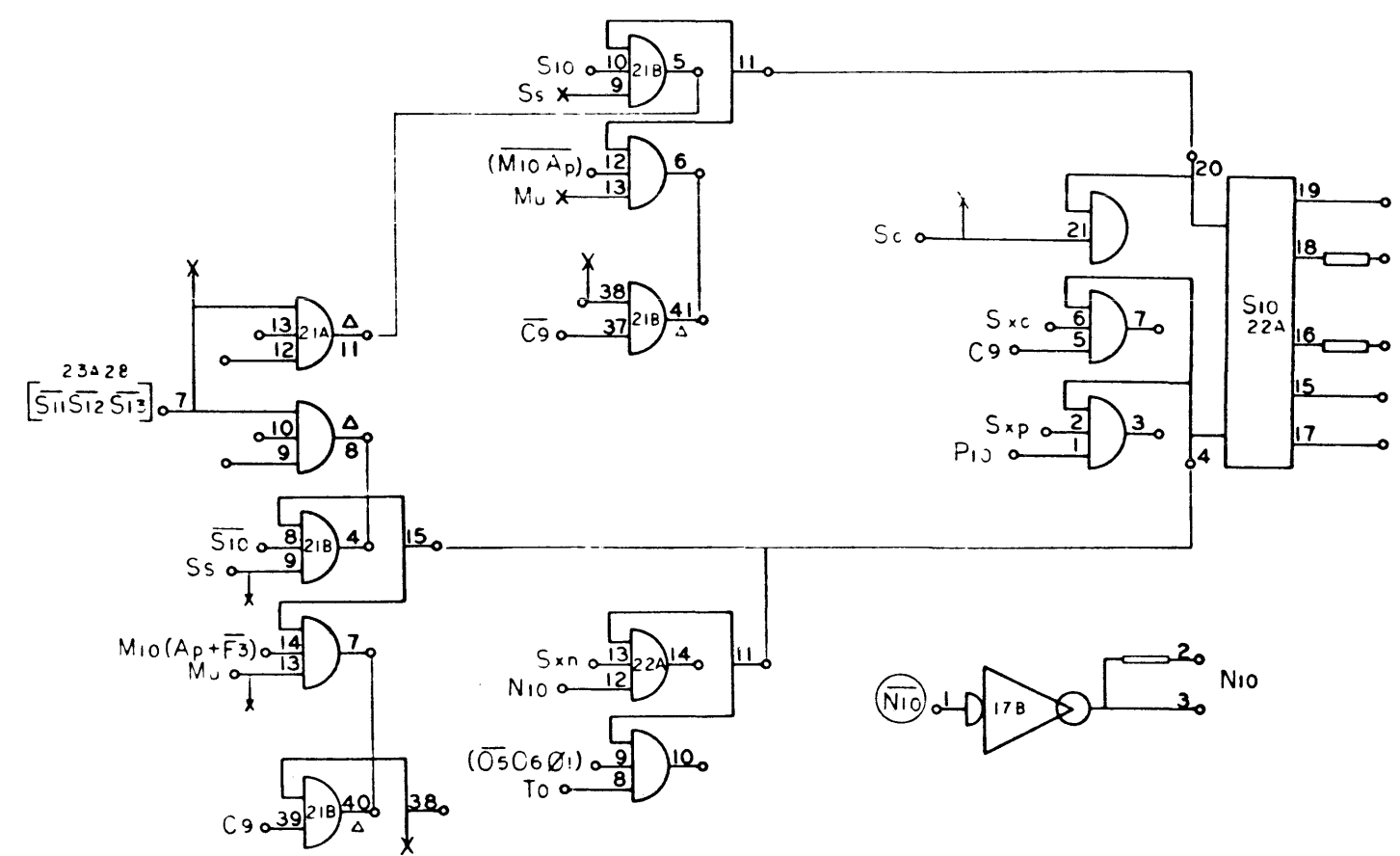


920  
Page 60

NO. REQ.	DRAWING NO.	DESCRIPTION	REFERENCE DESIGNATION	ITEM NO.
MATERIAL LIST				
NOTES UNLESS SPECIFIED		DRAWN	CHECK	DATE
1. TOLERANCES XX ± 0.00 ANGULAR XXX ± 0.10 ± 1/16"				1/13/67
2. BREAK ALL SHARP EDGES AND SPIN.		APPR		11/10/67
3. HIDE SURFACES ✓				
4. ALL DIM. IN INCHES				
MODEL NO. 920		TITLE DIAGRAM, LOGIC COMPUTER		SIZE D
NEXT ASSY.		DWS NO. 101701		A
SCALE		DO NOT SCALE DRAWING		SHEET

101701 | A |

REVISIONS				101701	A
REV	DESCRIPTION	CHK	DATE	APPROVED	
A	RELEASED TO MFG				

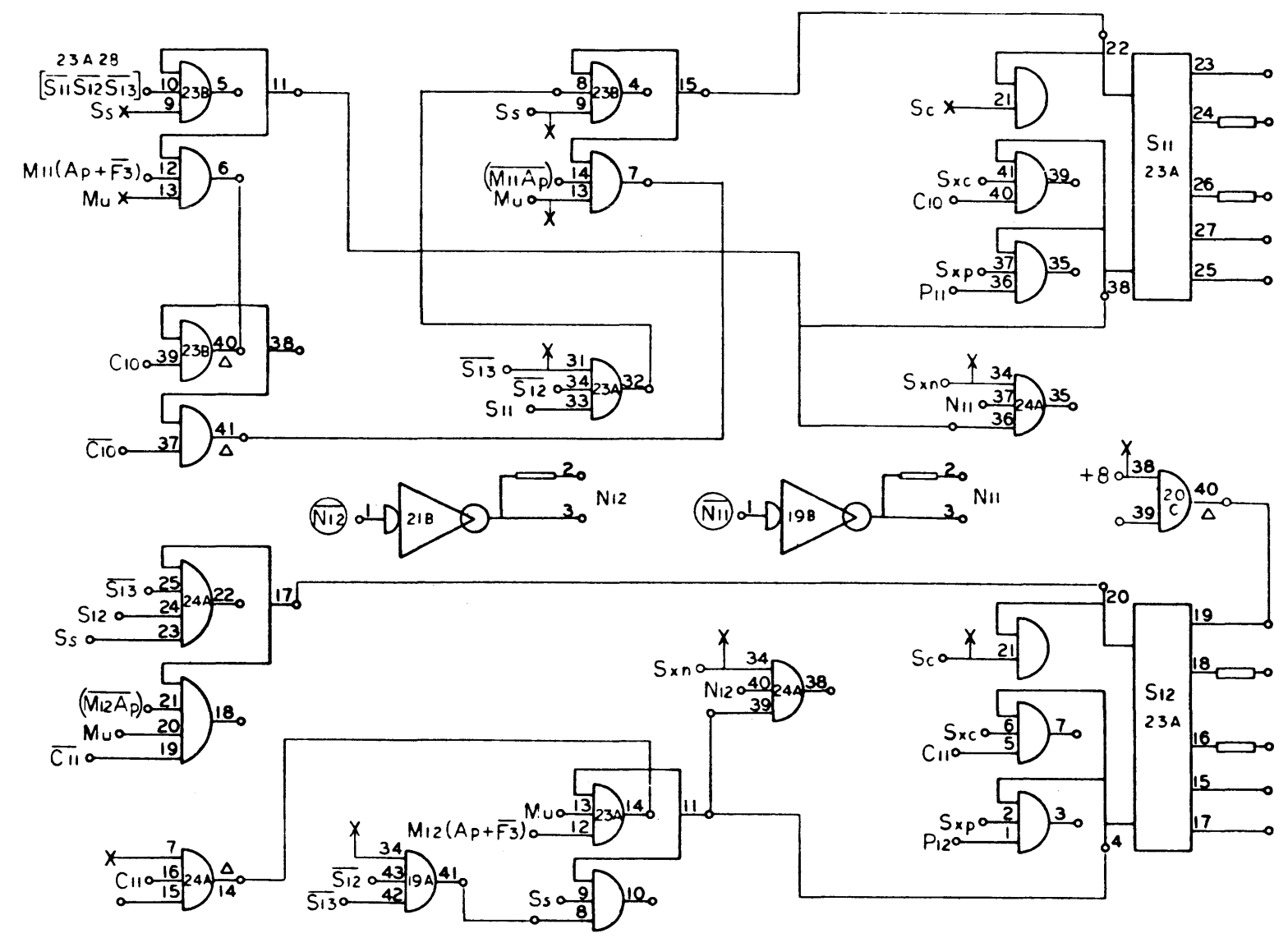


920  
Page 61

NO. REV.	DRAWING NO.	DESCRIPTION	REFERENCE DESIGNATION	ITEM NO.
MATERIAL LIST				
NOTES UNLESS SPECIFIED 1. TOLERANCES: .001 2. .002 3. .005 4. .010 5. .020 6. .050 7. .100 8. .150 9. .200 10. .300 11. .500 12. 1.000 13. 1.500 14. 2.000 15. 3.000 16. 4.000 17. 5.000 18. 6.000 19. 8.000 20. 10.000 21. 15.000 22. 20.000 23. 30.000 24. 40.000 25. 50.000 26. 60.000 27. 80.000 28. 100.000 29. 150.000 30. 200.000 31. 300.000 32. 400.000 33. 500.000 34. 600.000 35. 800.000 36. 1000.000 37. 1500.000 38. 2000.000 39. 3000.000 40. 4000.000 41. 5000.000 42. 6000.000 43. 8000.000 44. 10000.000 45. 15000.000 46. 20000.000 47. 30000.000 48. 40000.000 49. 50000.000 50. 60000.000 51. 80000.000 52. 100000.000 53. 150000.000 54. 200000.000 55. 300000.000 56. 400000.000 57. 500000.000 58. 600000.000 59. 800000.000 60. 1000000.000				
<b>SDS</b> SCIENTIFIC DATA SYSTEMS 1542 FIFTEENTH STREET SANTA MONICA CALIFORNIA				
<b>DIAGRAM, LOGIC COMPUTER</b>				
MODEL NO.	920	SIZE	DWG NO.	A
INSTR. ASSY.		SCALE	DO NOT SCALE DRAWING	SHEET

101701 (A)

REVISIONS				101701	A
REV	DESCRIPTION	CHK	DATE	APPROVED	
A	RELEASED TO MFG				

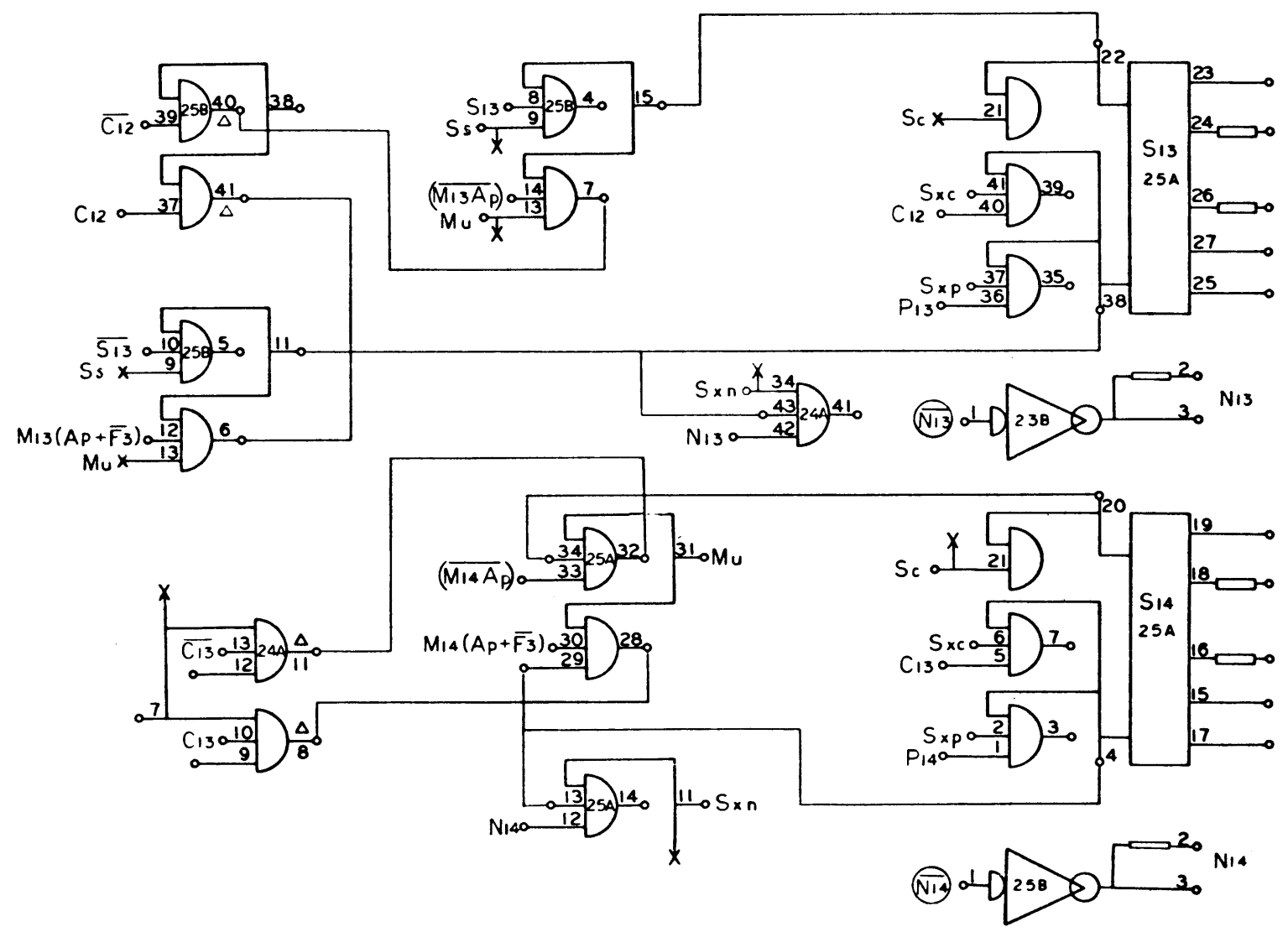


920  
Page 62

101701 A

NO. REV.	DRAWING NO.	DESCRIPTION	REFERENCE DESIGNATION	ITEM NO.
MATERIAL LIST				
NOTES UNLESS SPECIFIED		DRAWN	CHECK	DATE
1. TOLERANCES AS SHOWN UNLESS OTHERWISE SPECIFIED				11/13/62
2. BREAK ALL SHARP EDGES @ 45 DEGREE		APPR		11/14/62
3. HATCH SURFACES				
4. ALL DIM. IN INCHES				
MODEL NO. 920		TITLE DIAGRAM, LOGIC COMPUTER		
NEXT ASSY.		SIZE D	DWG NO. 101701	SHEET A
SCALE		DO NOT SCALE DRAWING SHEET		

REVISIONS				101701	A
REV	DESCRIPTION	CHK	DATE	APPROVED	
A	RELEASED TO MFG		11/13		

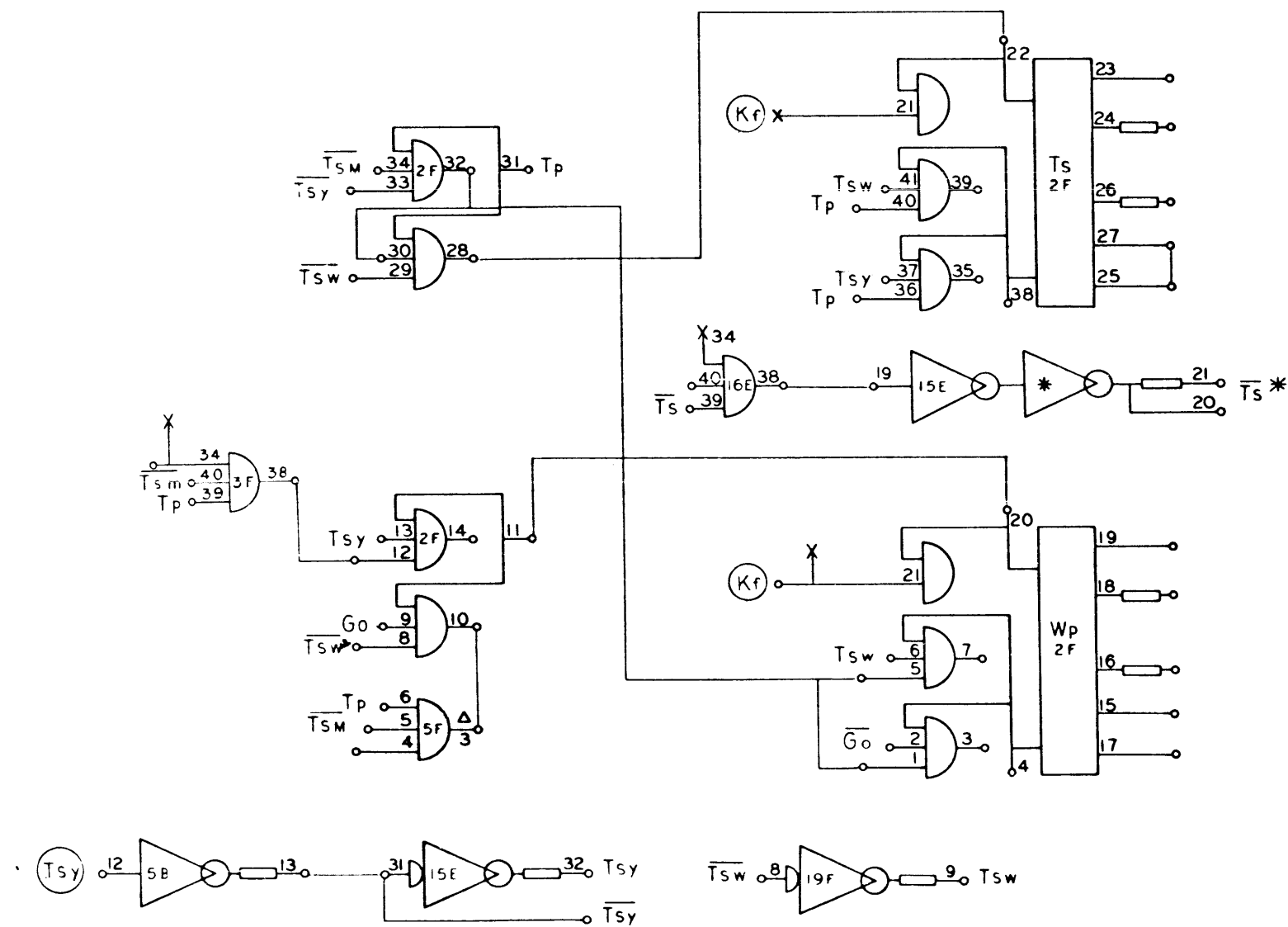


920  
Page 63

NO. REQ.	DRAWING NO.	DESCRIPTION	REFERENCE DESIGNATION	ITEM NO.
MATERIAL LIST				
NOTES UNLESS SPECIFIED		DRAWN	CHECK	DATE
1. TOLERANCES XX ± .000 ANGULAR XXX ± .010 = 1/2"		APPR		
2. BREAK ALL SHARP EDGES Ø10 APPROX				
3. HATCH SURFACES ✓				
4. ALL DIM. IN INCHES				
MODEL NO. 920		SIZE D	DWG NO. 101701	SHEET A
NEXT ASSY.		SCALE	DO NOT SCALE DRAWING	SHEET

101701 A

REVISIONS				101701		F
REV	DESCRIPTION	CHK	DATE	APPROVED		
A	RELEASED TO MFG		1/3/67			
F	SEE REV E.O.		1/13/67			

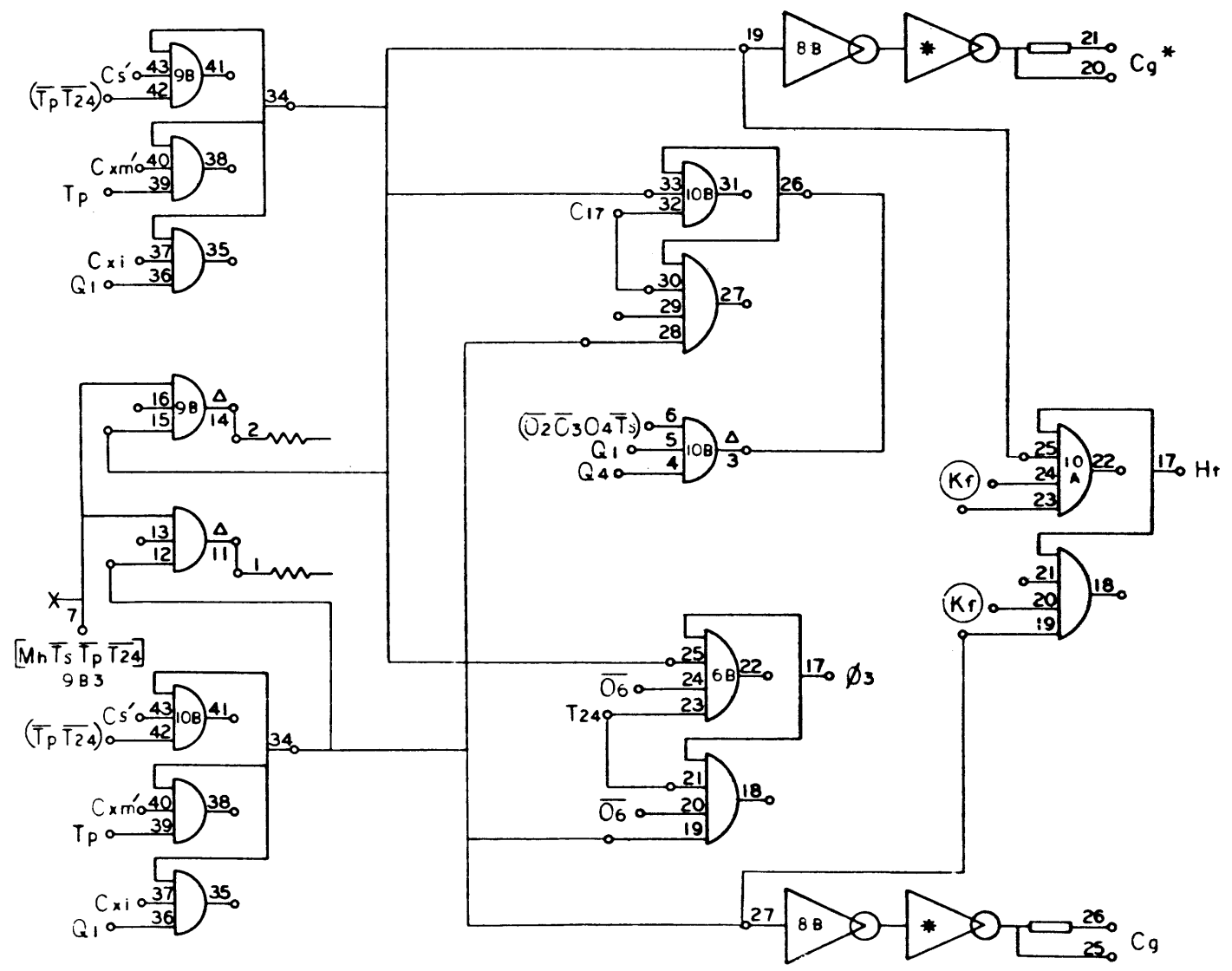


920  
Page 64  
F

NO	REG	DRAWING NO.	DESCRIPTION	REFERENCE DESIGNATION	ITEM NO.
MATERIAL LIST					
NOTES UNLESS SPECIFIED 1. TOLERANCES XX ± 0.00 ANGULAR .XX ± 0.00 2.5° 2. BREAK ALL SHARP EDGES .010 APPROX. 3. HATCH SURFACES ✓ 4. ALL DIM. IN INCHES					
DRAWN		CHECK		DATE	
APPR		DATE		DATE	
SDS SCIENTIFIC DATA SYSTEMS 1542 FIFTEENTH STREET SANTA MONICA, CALIFORNIA					
TITLE					
DIAGRAM, LOGIC COMPUTER					
MODEL NO.		SIZE		DWG NO.	
920		D		101701	
NEXT ASBY.					
SCALE				DO NOT SCALE DRAWING SHEET	

101701-11

REVISIONS				101701	A
REV.	DESCRIPTION	CHK	DATE	APPROVED	
A	RELEASED TO MFG	SLH	11/12/62	J. C. L.	



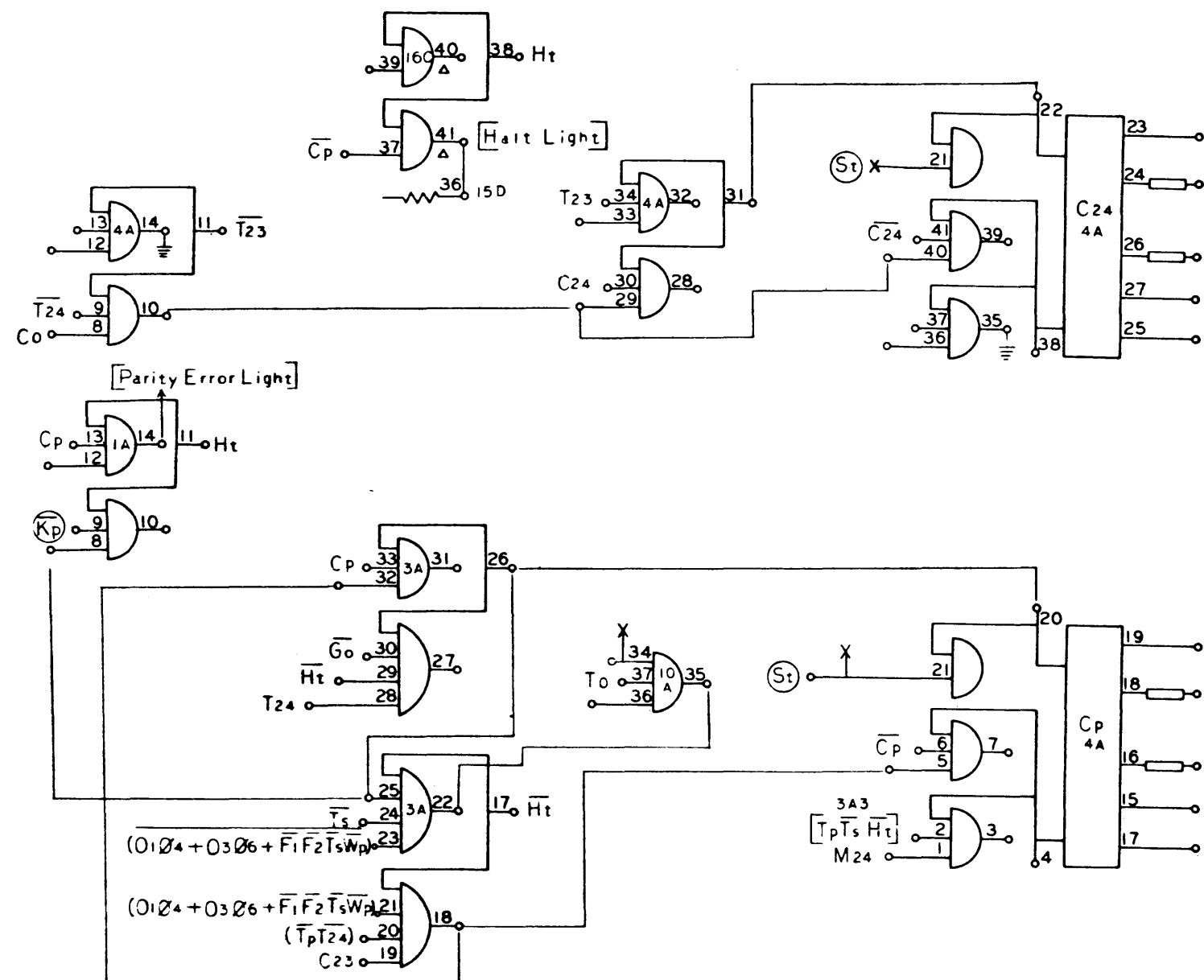
920  
Page 65

NO. REQ.	DRAWING NO.	DESCRIPTION	REFERENCE DESIGNATION	ITEM NO.
NOTES UNLESS SPECIFIED				
1. TOLERANCES AS SHOWN		ANGULAR ± 1/2°	SDS SCIENTIFIC DATA SYSTEMS 1542 FIFTEENTH STREET SANTA MONICA, CALIFORNIA	
2. BREAK ALL SHARP EDGES 0.10 APPROX		✓	TITLE DIAGRAM, LOGIC COMPUTER	
3. HATCH SURFACES		✓	MODEL NO. 920	
4. ALL DIM. IN INCHES			SIZE D 101701	
NEXT ASST.			A	
SCALE			DO NOT SCALE DRAWING	SHEET

101701 | A



REVISIONS				101701	A
REV	DESCRIPTION	CHK	DATE	APPROVED	
A	RELEASED TO MFG				



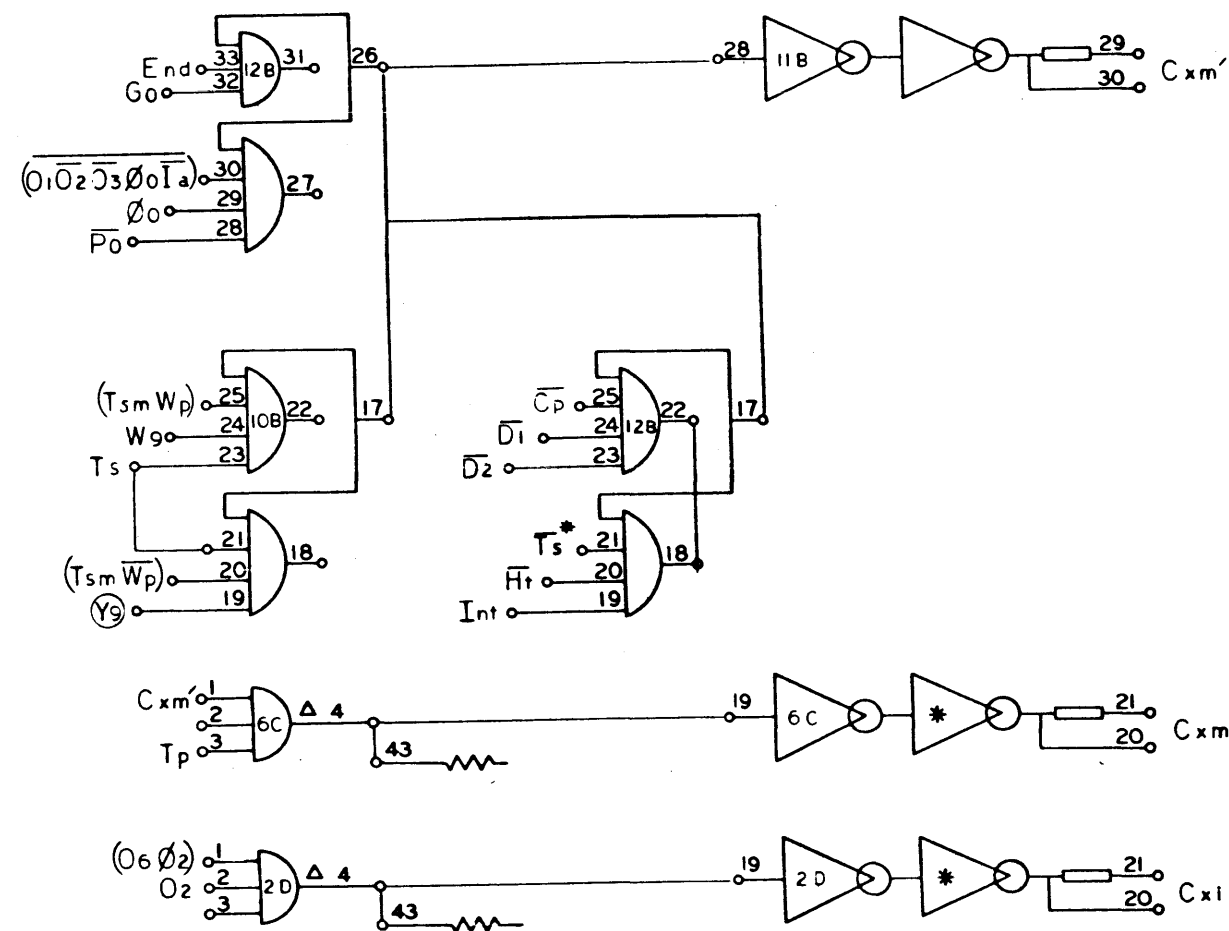
920  
Page 66

NO. REG	DRAWING NO.	DESCRIPTION	REFERENCE DESIGNATION	ITEM NO.
NOTES UNLESS SPECIFIED				
1. TOLERANCES XX - DIMS RES - DIMS		ANGULAR 2:1	CHECK 1/3/52	
2. BREAK ALL SHARP EDGES Ø10 APPROX			APPR 1/12/60	
3. HATCH SURFACES		✓		
4. ALL DIMS IN INCHES				
MATERIAL LIST				
SDS SCIENTIFIC DATA SYSTEMS 1542 FIFTEENTH STREET, SANTA MONICA, CALIFORNIA				
TITLE DIAGRAM, LOGIC COMPUTER				
MODEL NO.	920	SIZE	DWG NO.	A
NEXT ASSY		D	101701	
SCALE		DO NOT SCALE DRAWING		SHEET

101701/A



REVISIONS				101701		G
REV	DESCRIPTION	CHE	DATE	APPROVED		
A	RELEASED TO MFG					
G	SEE REVISION E.Q.					

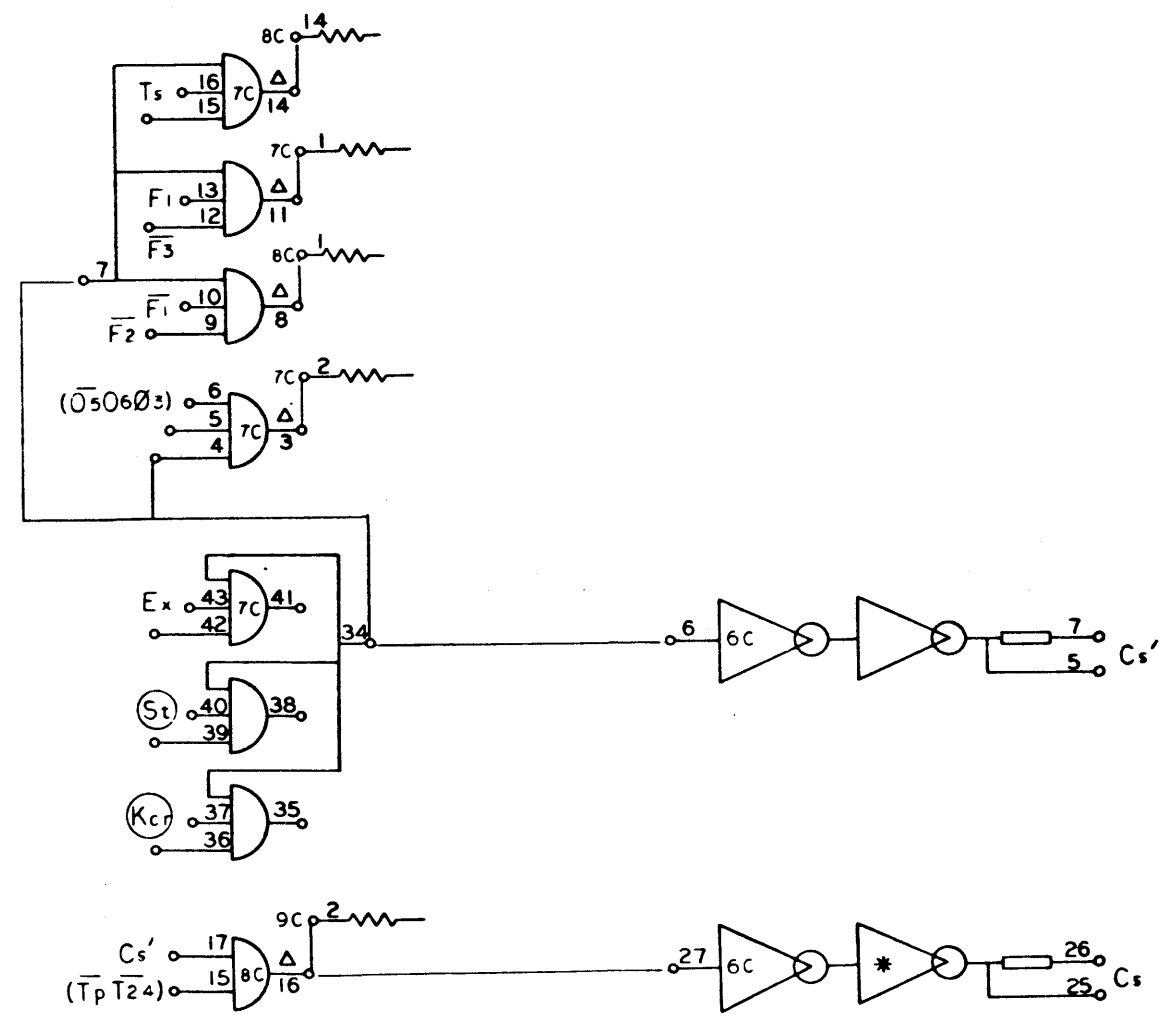


920  
Page 67  
G

101701 | G |

NO. REV.	DRAWING NO.	DESCRIPTION	REFERENCE DESIGNATION	ITEM NO.
MATERIAL LIST				
NOTES UNLESS SPECIFIED		DRAWN	CHECK	DATE
1. TOLERANCES XX ± 0.00 ANGULAR XX ± 0.10 ± 1/2°		APPR		
2. BREAK ALL SHARP EDGES 0.10 APPROX				
3. BACK SURFACES ✓				
4. ALL DIM IN INCHES				
MODEL NO. 920		<b>SDS</b> SCIENTIFIC DATA SYSTEMS 1542 FIFTEENTH STREET SANTA MONICA CALIFORNIA		
NEXT ASSY.		TITLE <b>DIAGRAM, LOGIC COMPUTER</b>		
		SIZE D	DWG NO. 101701	G
		SCALE	DO NOT SCALE DRAWING	SHEET

REVISIONS				101701	A
REV	DESCRIPTION	CHK	DATE	APPROVED	
A	RELEASED TO MFG				



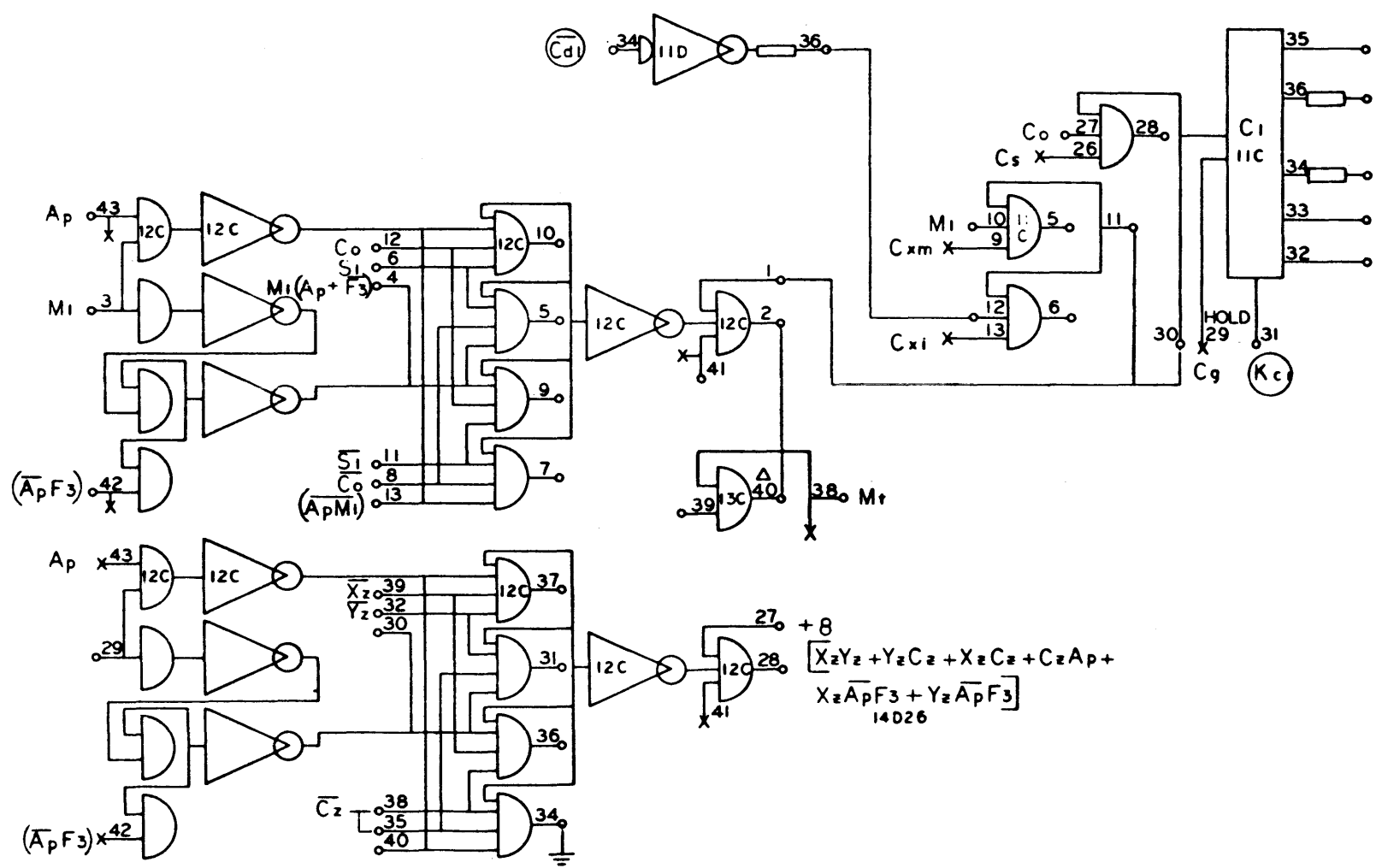
920  
Page 68

NO. REG.	DRAWING NO.	DESCRIPTION	REFERENCE DESIGNATION	ITEM NO.
MATERIAL LIST				
NOTES UNLESS SPECIFIED		DRAWN	<b>SDS</b> SCIENTIFIC DATA SYSTEMS 1942 FIFTEENTH STREET SANTA MONICA CALIFORNIA	
1. TOLERANCES XX = 0.00 ANGULAR XXX = 0.00 ± 1°		CHECK	TITLE	
2. BREAK ALL SHARP EDGES .010 APPROX		APPR.	DIAGRAM, LOGIC COMPUTER	
3. MACH SURFACES ✓				
4. ALL DIM. IN INCHES				
MODEL NO.	920	SIZE	DWG NO.	A
NEXT ASSY.		SCALE	101701	
			DO NOT SCALE DRAWING	SHEET

101701 1A



REVISIONS				101701	A
REV	DESCRIPTION	CHK	DATE	APPROVED	
A	RELEASED TO MFG				



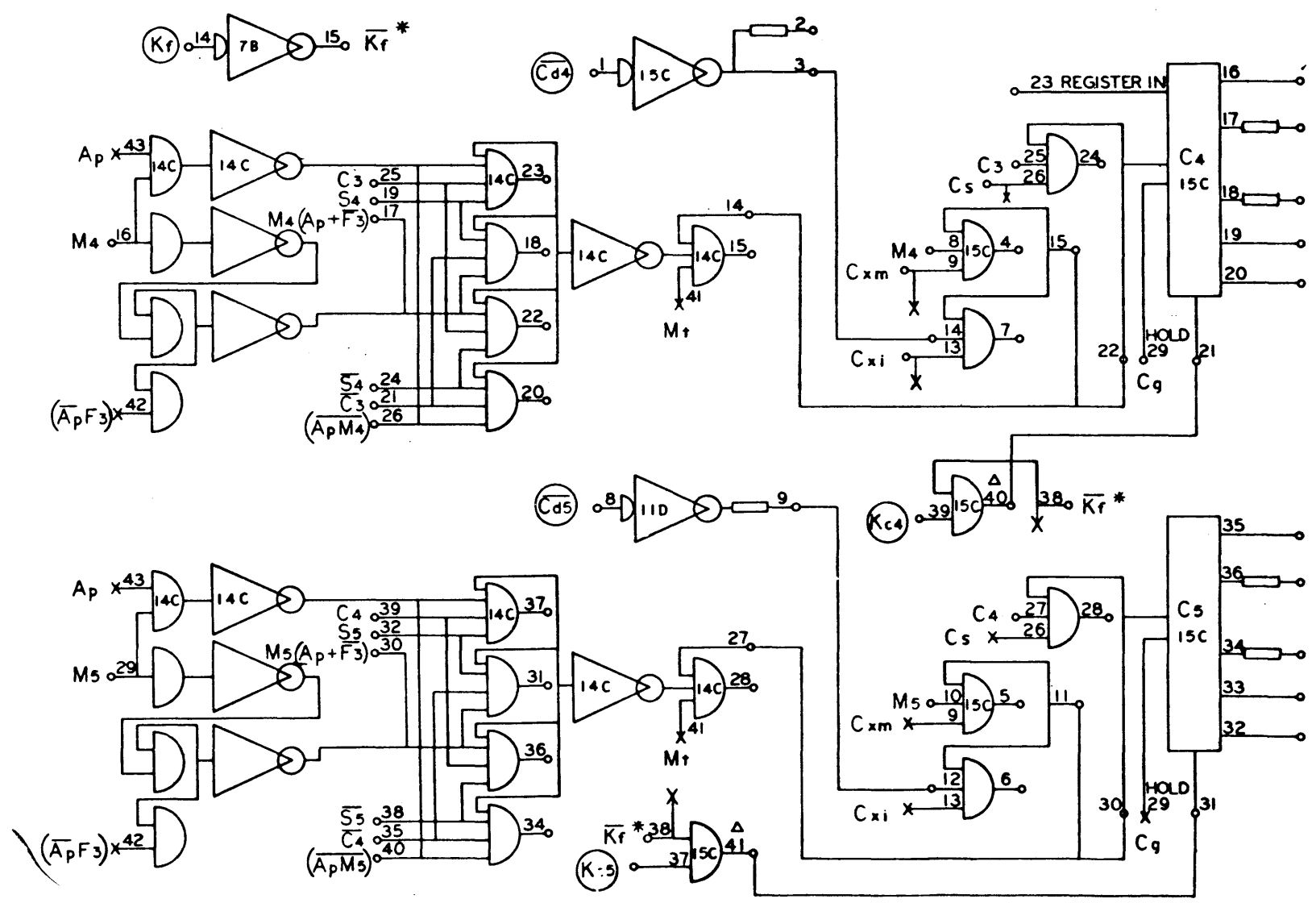
920  
Page 70

NO. REQ	DRAWING NO.	DESCRIPTION	REFERENCE DESIGNATION	ITEM NO.
MATERIAL LIST				
NOTES UNLESS SPECIFIED		DRAWN	<b>SDS</b> SCIENTIFIC DATA SYSTEMS 1525 FIFTEENTH STREET SANTA MONICA, CALIFORNIA	
1. TOLERANCES .25 ± .010 ANGULAR .125 ± .010 ± 1/2° 2. BREAK ALL SHARP EDGES .010 APPROX. 3. HACH. SURFACES ✓ 4. ALL DIM. IN INCHES		CHECK		
		APPR.	DATE	TITLE
				DIAGRAM, LOGIC COMPUTER
MODEL NO.		SIZE		DWG. NO.
920		D		101701
NEXT ASSY.		SCALE		SHEET
		DO NOT SCALE DRAWING		A

101701 1A1



REV		DESCRIPTION		CHK	DATE	APPROVED
A		RELEASED TO MFG			1/15	

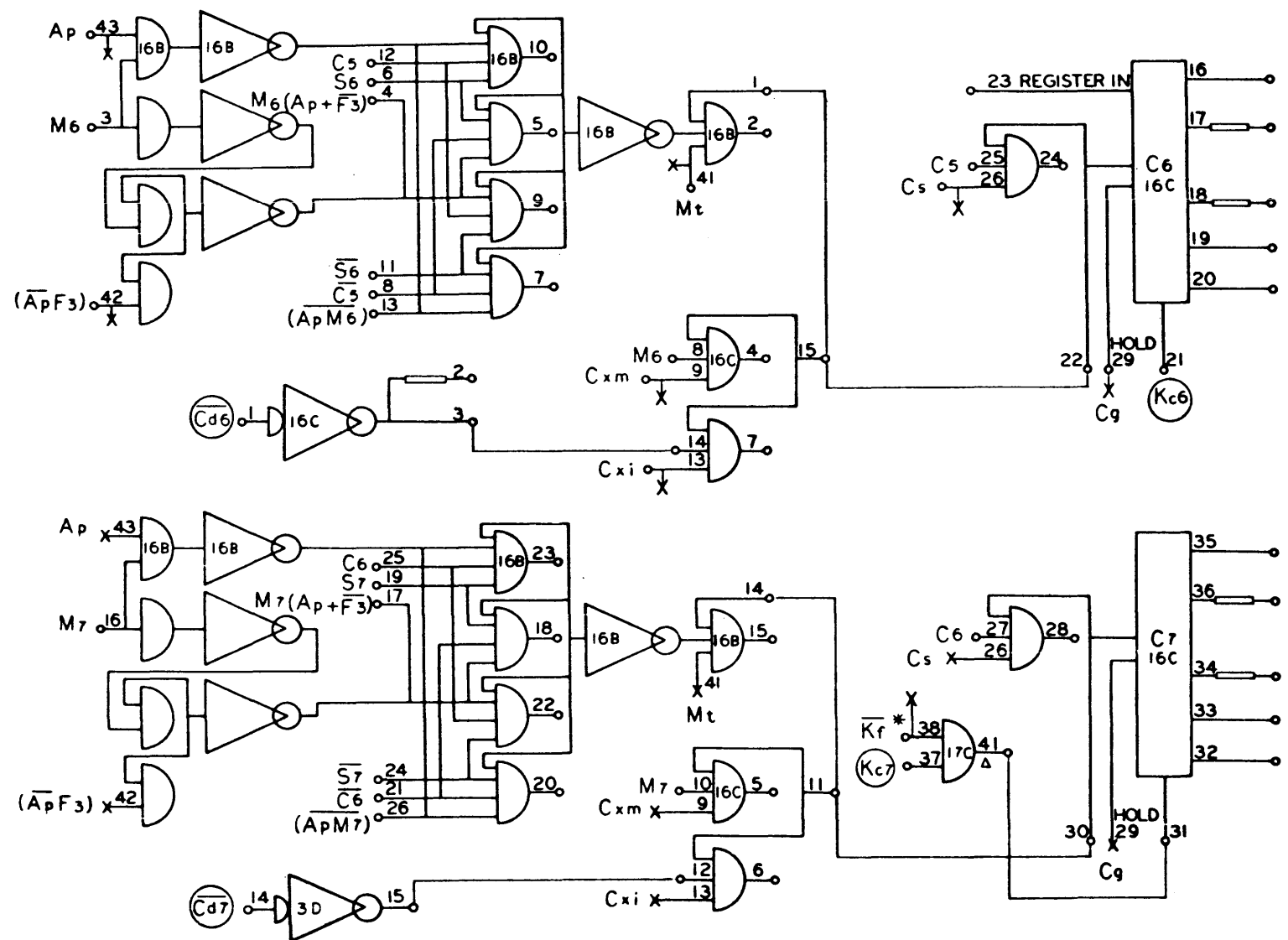


920  
Page 72

NO. REQ.	DRAWING NO.	DESCRIPTION	REFERENCE DESIGNATION	ITEM NO.
NOTES UNLESS SPECIFIED 1. TOLERANCES: .000 ANGULAR .010 .005 ±.010 2. BREAK ALL SHARP EDGES .010 APPROX. 3. MACH SURFACES ✓ 4. ALL DIM. IN INCHES				
MODEL NO. 920 NEXT ASSY.		MATERIAL LIST SDS SCIENTIFIC DATA SYSTEMS 1542 FIFTEENTH STREET SANTA MONICA, CALIFORNIA TITLE: DIAGRAM, LOGIC COMPUTER DRAWN: [Signature] 1/13/62 CHECK: [Signature] 1/13/62 APPR: [Signature] 1/14/62		
SIZE D DWG NO. 101701 SCALE: DC NOT SCALE DRAWING SHEET		A		

101701 1A1

REV		DESCRIPTION		REVISIONS		101701		A	
REV	DESCRIPTION	CHE	DATE	APPROVED					
A	RELEASED TO MFG		1/13						

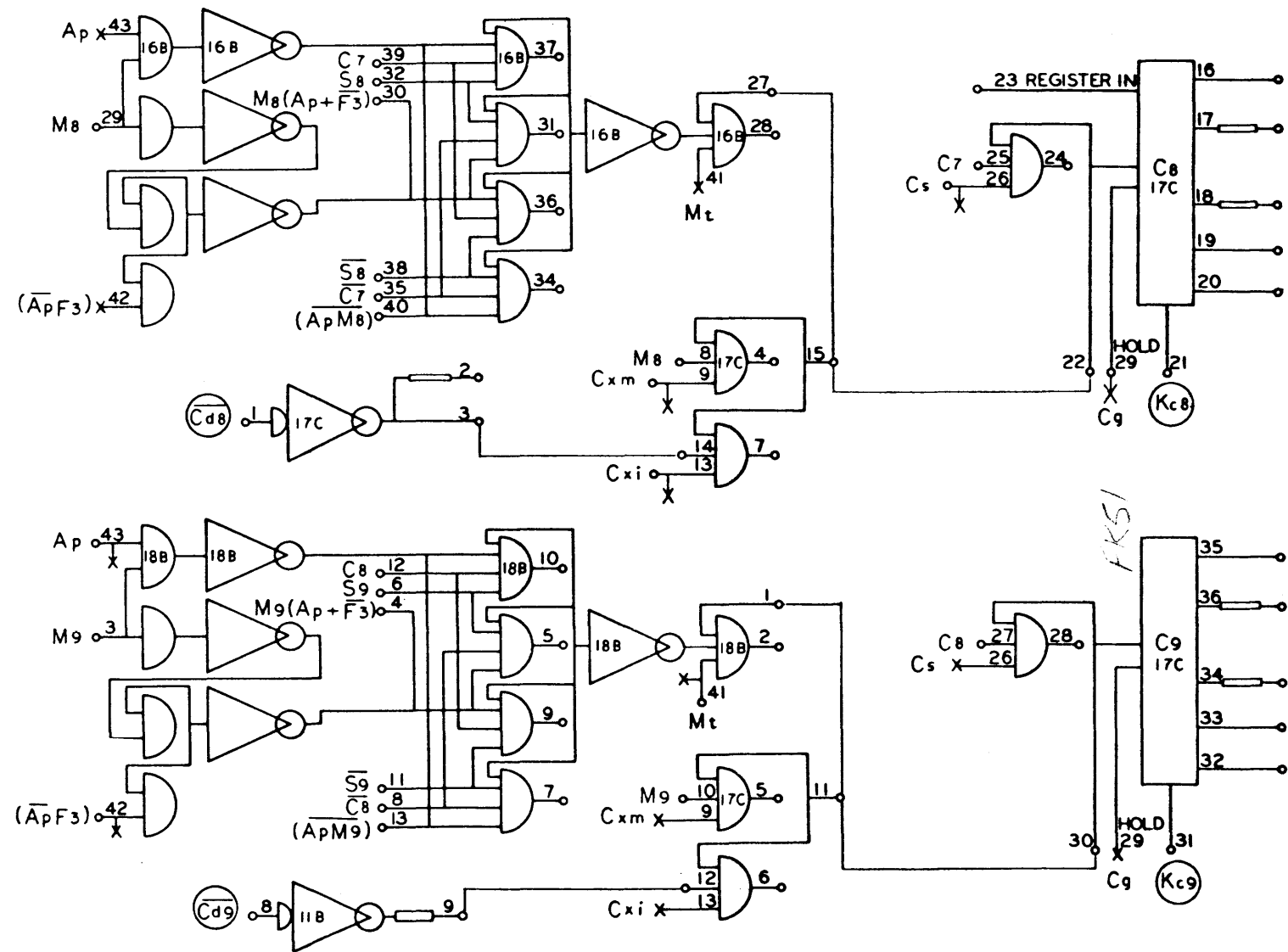


920  
Page 73

101701 A

NO. REV.	DRAWING NO.	DESCRIPTION	REFERENCE DESIGNATION	ITEM NO.
MATERIAL LIST				
NOTES UNLESS SPECIFIED		DRAWN	CHECK	APPR.
1. TOLERANCES XX ± .000 ANGLULAR XXX ± .010				
2. BREAK ALL SHARP EDGES BY SPROCK.				
3. DRAG SURFACES ✓				
4. ALL DIM. IN INCHES				
SDS SCIENTIFIC DATA SYSTEMS 1345 FIFTEENTH STREET, SANTA MONICA, CALIFORNIA			TITLE	
DIAGRAM, LOGIC COMPUTER				
MODEL NO.	920	SIZE	DWG NO.	A
NEXT ASSY.		SCALE	DO NOT SCALE DRAWING	SHEET

REV		REVISIONS			101701		A	
NO.	DESCRIPTION	CHK	DATE	APPROVED				
A	RELEASED TO MFG	<i>[Signature]</i>	<i>[Date]</i>	<i>[Signature]</i>				



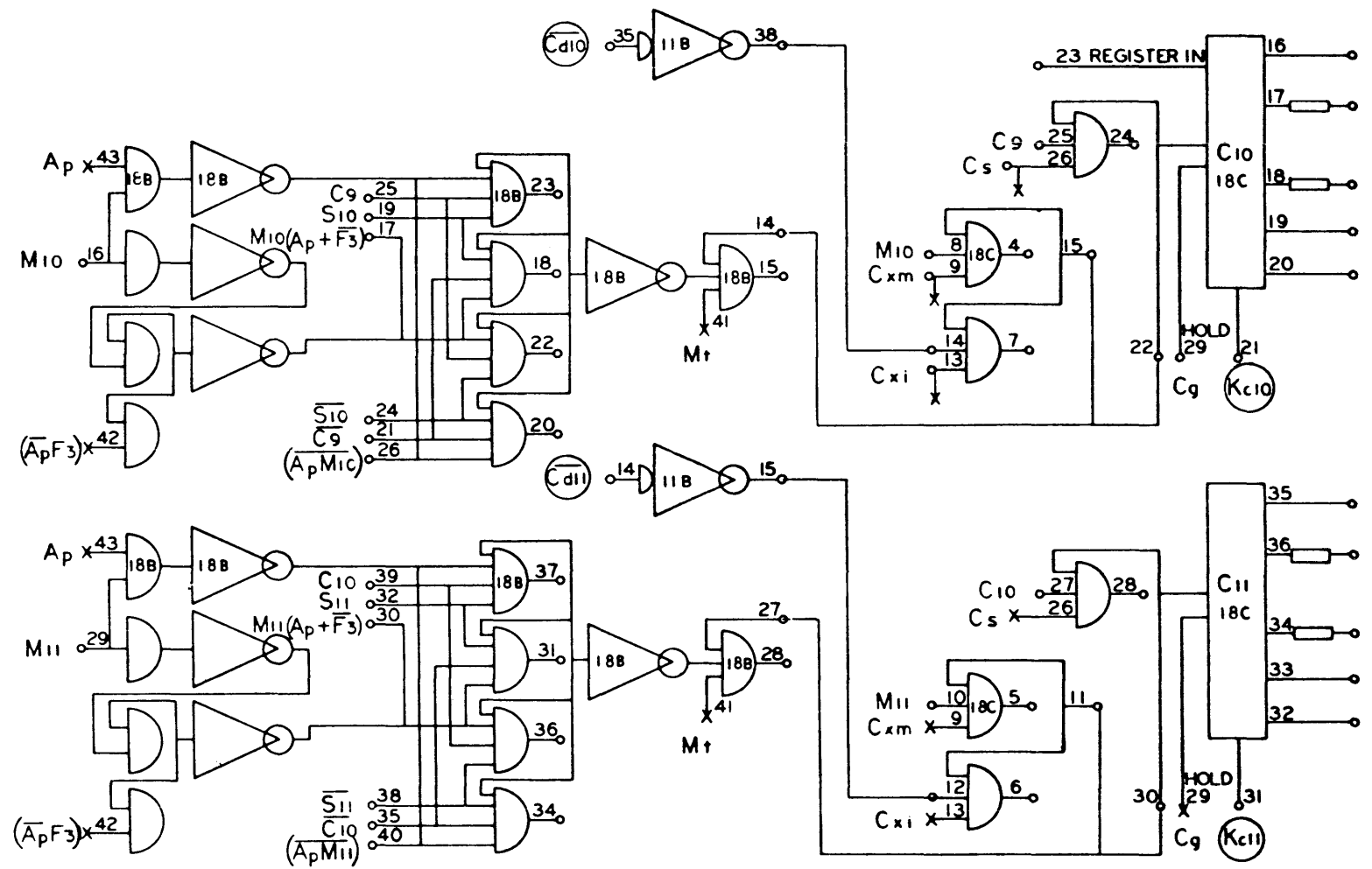
920  
Page 74

NO. REV	DRAWING NO.	DESCRIPTION	REFERENCE DESIGNATION	ITEM NO.
MATERIAL LIST				
NOTES UNLESS SPECIFIED		DRAWN	CHECK	
1. TOLERANCES XX ± .000 ANGULAR XX ± .010 ± 1/2°		<i>[Signature]</i>	<i>[Signature]</i>	
2. BREAK ALL SHARP EDGES #10 APPROX		APPR.	<i>[Signature]</i>	
3. MACH. SURFACES		TITLE		
4. ALL DIM. IN INCHES		DIAGRAM, LOGIC COMPUTER		
MODEL NO.	920	SIZE	DWS NO.	A
NEXT ASSY.		D	101701	
SCALE		DO NOT SCALE DRAWING	SHEET	

101701 | A |



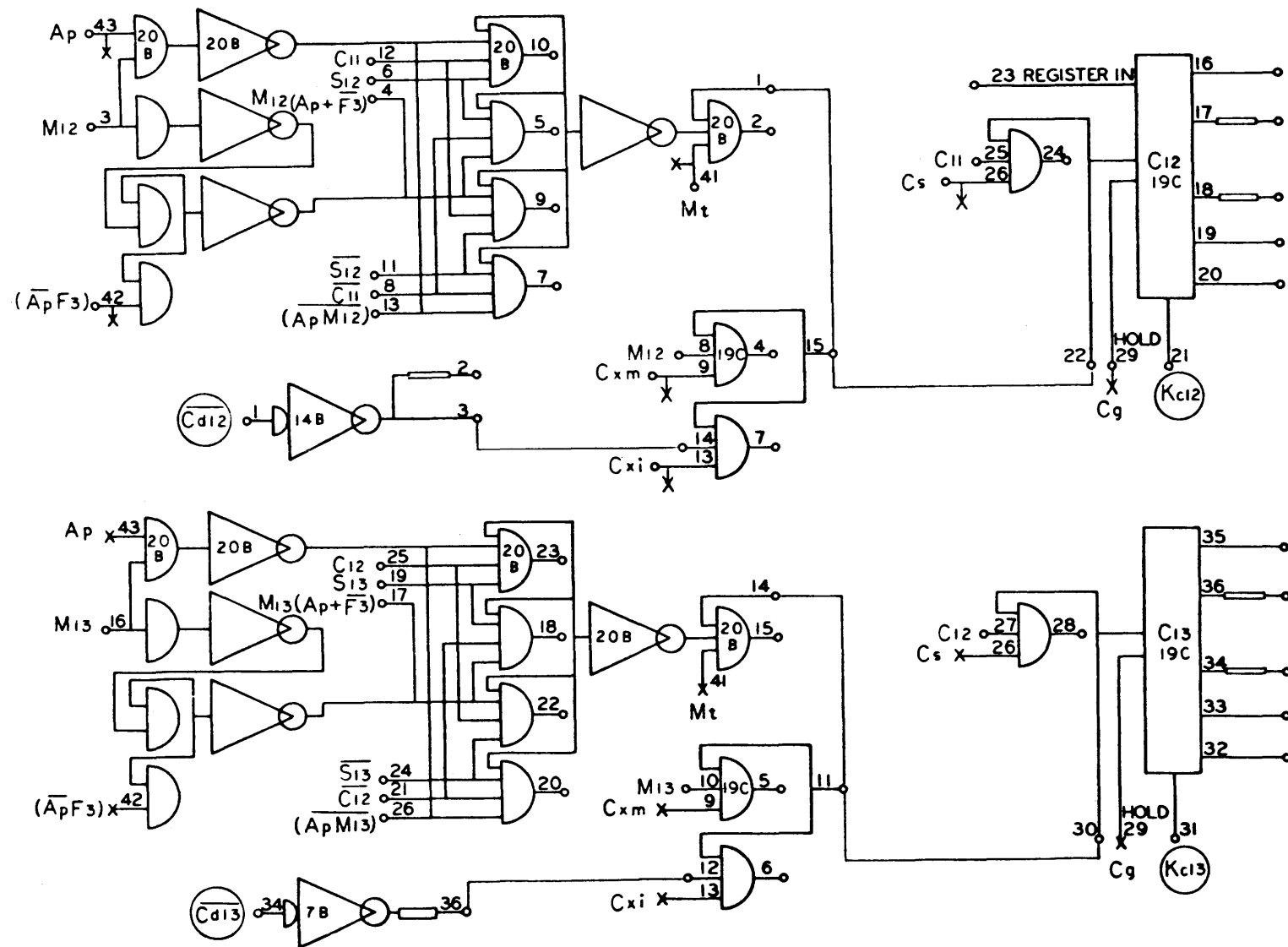
REVISIONS				101701	A
REV	DESCRIPTION	CHK	DATE	APPROVED	
A	RELEASED TO MFG				



101701 | A |

NO. REQ.	DRAWING NO.	DESCRIPTION	REFERENCE DESIGNATION	ITEM NO.
MATERIAL LIST				
NOTES UNLESS SPECIFIED: 1. TOLERANCES: XX ± 0.00    ANGULAR XXX ± 0.00 2. BREAK ALL SHARP EDGES .010 APPROX. 3. HATCH SURFACES 4. ALL DIM. IN INCHES				
DRAWN		<b>SDS</b> SCIENTIFIC DATA SYSTEMS 1545 FIFTEENTH STREET SANTA MONICA CALIFORNIA		
CHECK		TITLE		
APPR		DIAGRAM, LOGIC COMPUTER		
MODEL NO.		SIZE	DWG NO.	ITEM NO.
920		D	101701	A
NEXT ASSY.		SCALE	DO NOT SCALE DRAWING	SHEET

REVISIONS				101701	A
REV	DESCRIPTION	CHE	DATE	APPROVED	
A	RELEASED TO MFG		1/13		



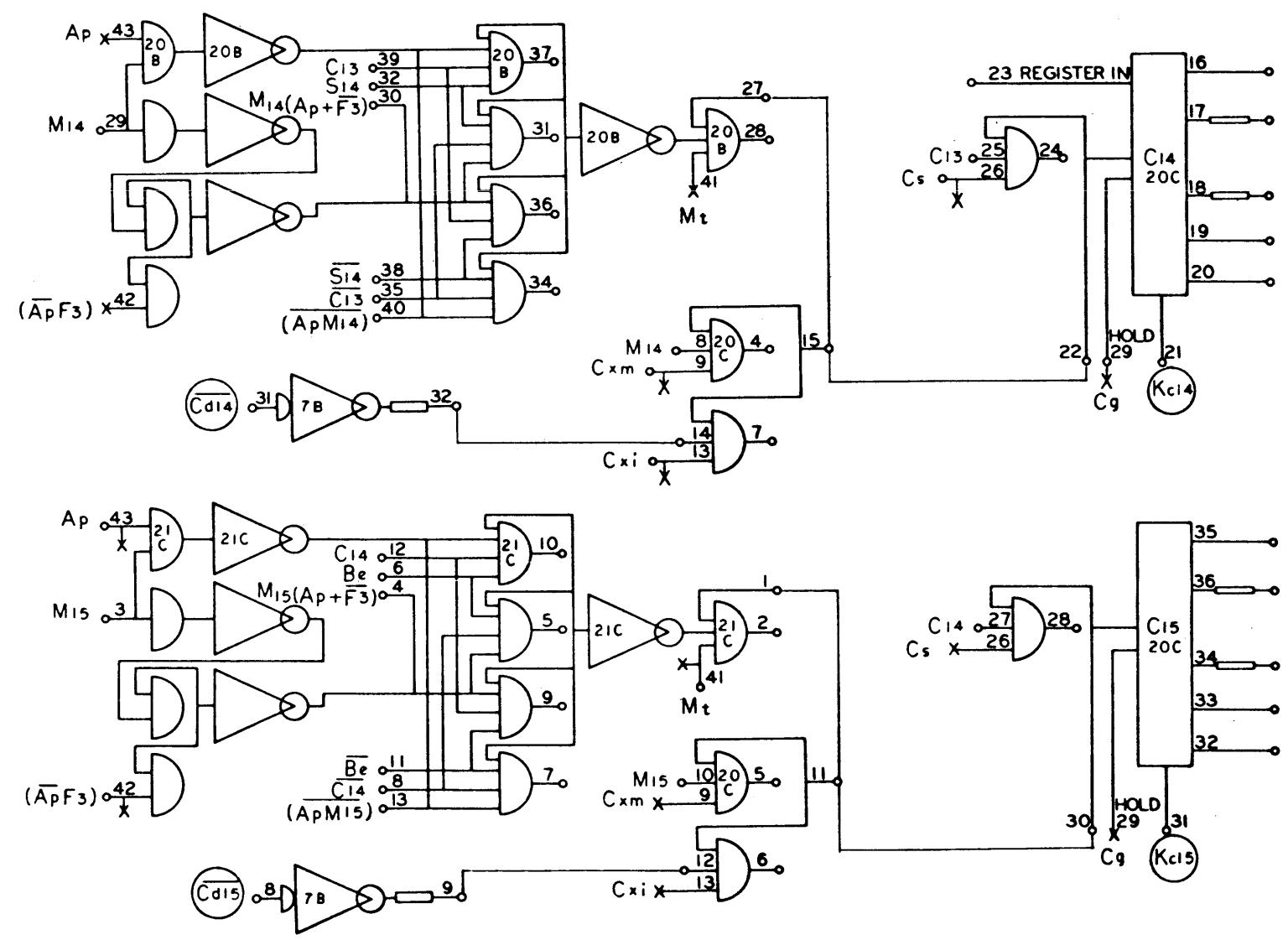
920  
Page 76

NO	REG	DRAWING NO.	DESCRIPTION	REFERENCE DESIGNATION	ITEM NO.
NOTES UNLESS SPECIFIED					
1		TOLERANCES			
2		±.000	ANGULAR		
3		±.010	±.1°		
4		BREAK ALL SHARP EDGES	.510 APPROX		
5		MACH. SURFACES	✓		
6		ALL DIM. IN INCHES			
MATERIAL LIST					
<div style="display: flex; justify-content: space-between;"> <div> <p><b>SDS</b> SCIENTIFIC DATA SYSTEMS</p> <p>1542 FIFTEENTH STREET SANTA MONICA CALIFORNIA</p> </div> <div> <p><b>DIAGRAM, LOGIC COMPUTER</b></p> </div> </div>					
MODEL NO.		920		SIZE	D
NEXT ASSY.				DWG NO.	101701
					A
SCALE				DO NOT SCALE DRAWING	SHEET

101701 | A |

REV		DESCRIPTION		CHE	DATE	APPROVED
A		RELEASED TO MFG				

101701 | A |

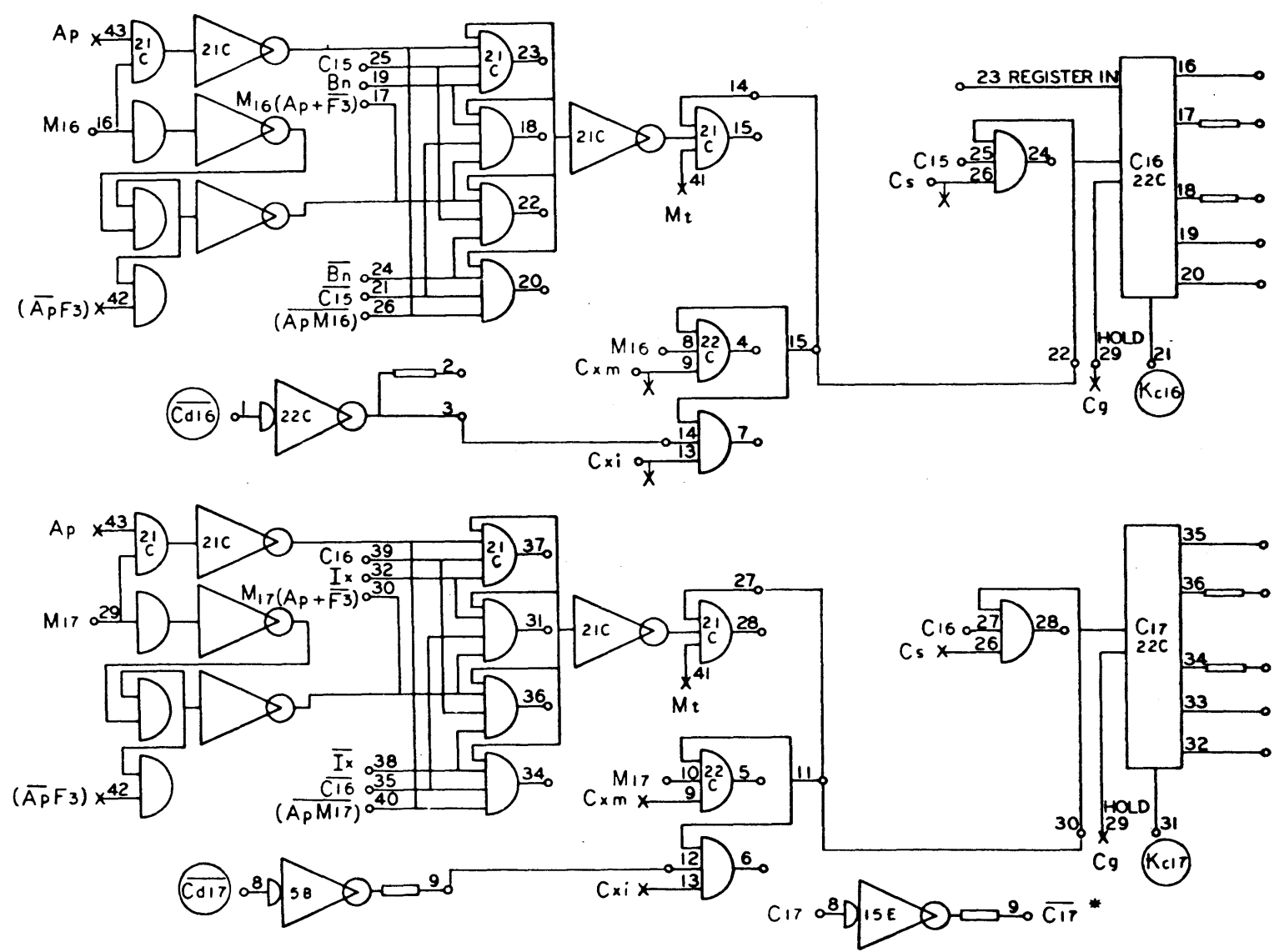


NO. REG	DRAWING NO.	DESCRIPTION	REFERENCE DESIGNATION	ITEM NO.
MATERIAL LIST				
NOTES UNLESS SPECIFIED		DRAWN	CHECK	DATE
1. TOLERANCES XX ± .000 ANGULAR SEE 2.010		<i>JH</i>	<i>W/S</i>	<i>1/13/62</i>
2. BREAK ALL SHARP EDGES .010 APPROX.		APPR.	<i>W/S</i>	<i>1/13/62</i>
3. HATCH SURFACES ✓				
4. ALL DIM. IN DECIMALS				
MODEL NO. <b>920</b>		SIZE <b>D</b>		DWG NO. <b>101701</b>
NEXT ASSY.		SCALE DO NOT SCALE DRAWING		SHEET <b>A</b>

**SDS** SCIENTIFIC DATA SYSTEMS  
1545 FIFTEENTH STREET, SANTA MONICA, CALIFORNIA

TITLE  
**DIAGRAM, LOGIC  
COMPUTER**

REVISIONS				101701	A
REV	DESCRIPTION	CHK	DATE	APPROVED	
A	RELEASED TO MFG				

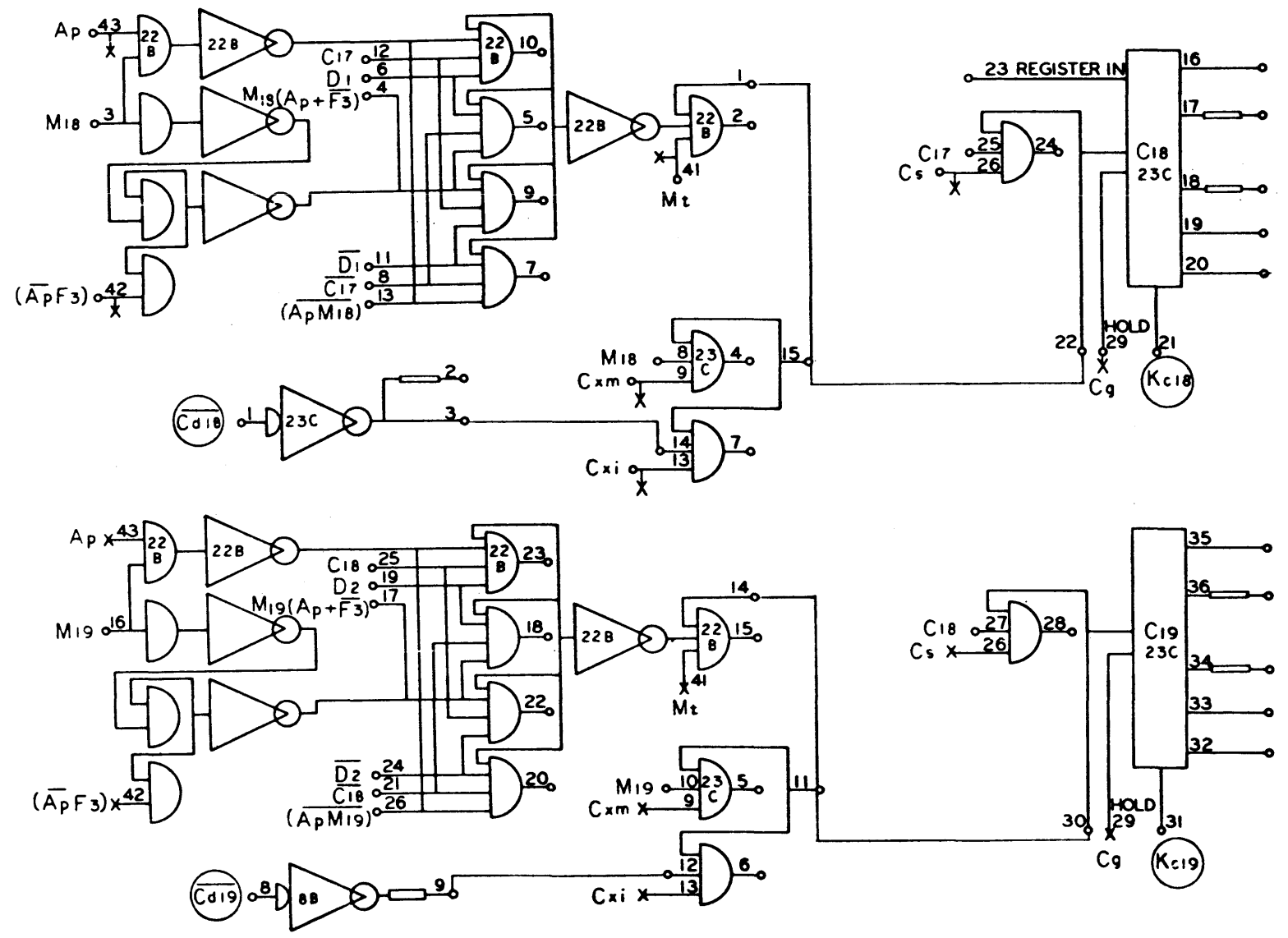


920  
Page 78

NO. REV.	DRAWING NO.	DESCRIPTION	REFERENCE DESIGNATION	ITEM NO.
MATERIAL LIST				
NOTES UNLESS SPECIFIED: 1. TOLERANCES: .25 ± .005    ANGULAR .125 ± .005    ± 1/2° 2. BREAK ALL SHARP EDGES .010 APPROX. 3. HATCH SURFACES ✓ 4. ALL DIM. IN INCHES				
DRAWN: [Signature] CHECK: [Signature] APPR: [Signature]		TITLE: <b>DIAGRAM, LOGIC COMPUTER</b> MODEL NO. <b>920</b> NEXT ASSY.		
SIZE: <b>D</b> DWG. NO.: <b>101701</b>		SHEET: <b>A</b> SCALE: <b>DO NOT SCALE DRAWING</b>		

101701 (A)

REVISIONS				101701	A
REV	DESCRIPTION	CHK	DATE	APPROVED	
A	RELEASED TO MFG				

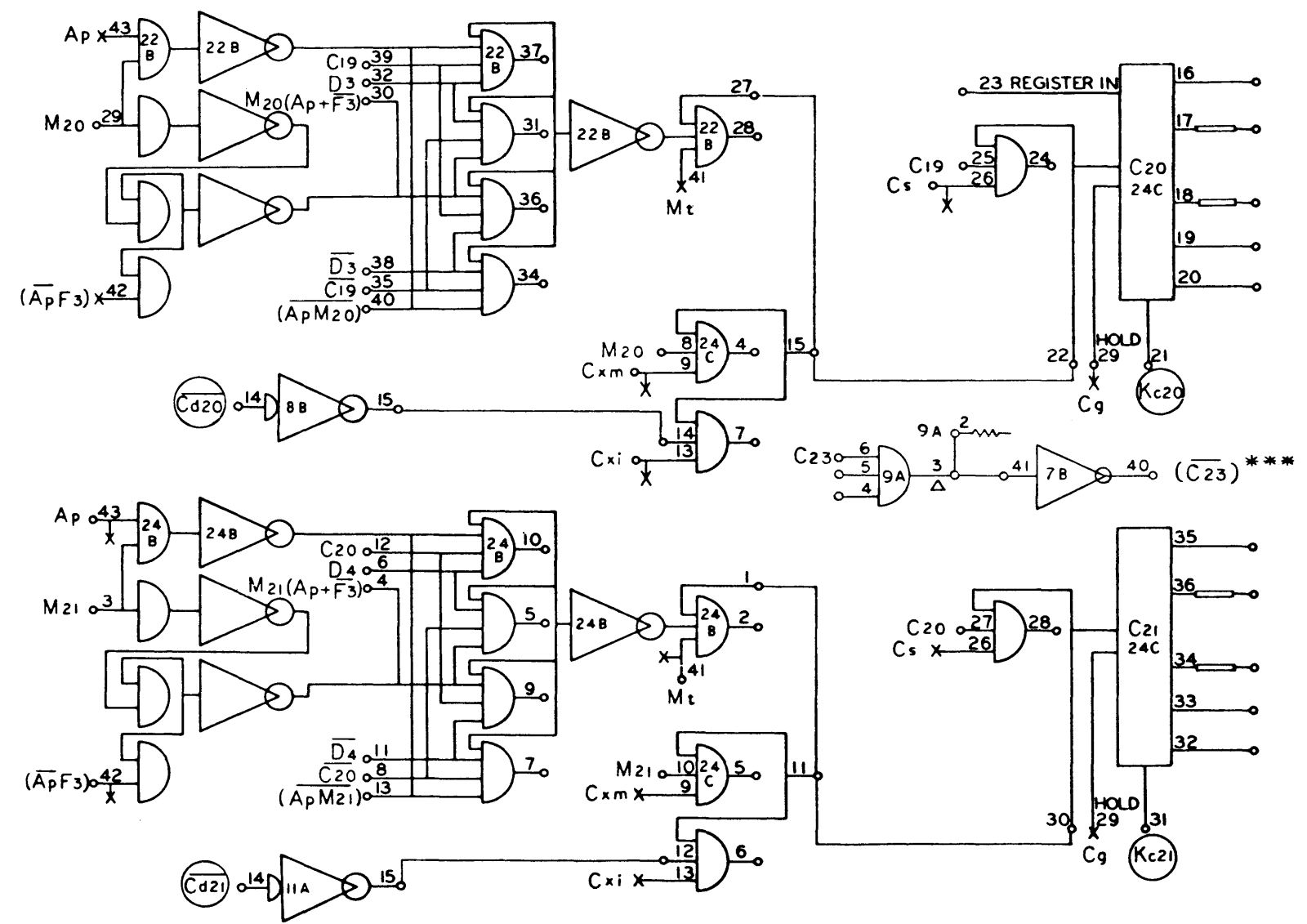


920  
Page 79

101701 | A |

NO. REQ.	DRAWING NO.	DESCRIPTION	REFERENCE DESIGNATION	ITEM NO.
MATERIAL LIST				
NOTES UNLESS SPECIFIED 1. TOLERANCES .XX ± .005 ANGULAR .XX ± .010 2. BREAK ALL SHARP EDGES AND APPROX. 3. HATCH SURFACES ✓ 4. ALL DIM. IN INCHES				
DRAWN		DATE	TITLE	
CHECK		1/13/64	DIAGRAM, LOGIC COMPUTER	
APPR.		1/14/64	SDS SCIENTIFIC DATA SYSTEMS 1645 FIFTEENTH STREET, SANTA MONICA, CALIFORNIA	
MODEL NO.	920	SIZE	DWG. NO.	A
NEXT ASSY.		SCALE	D 101701	
			DO NOT SCALE DRAWING	SHEET

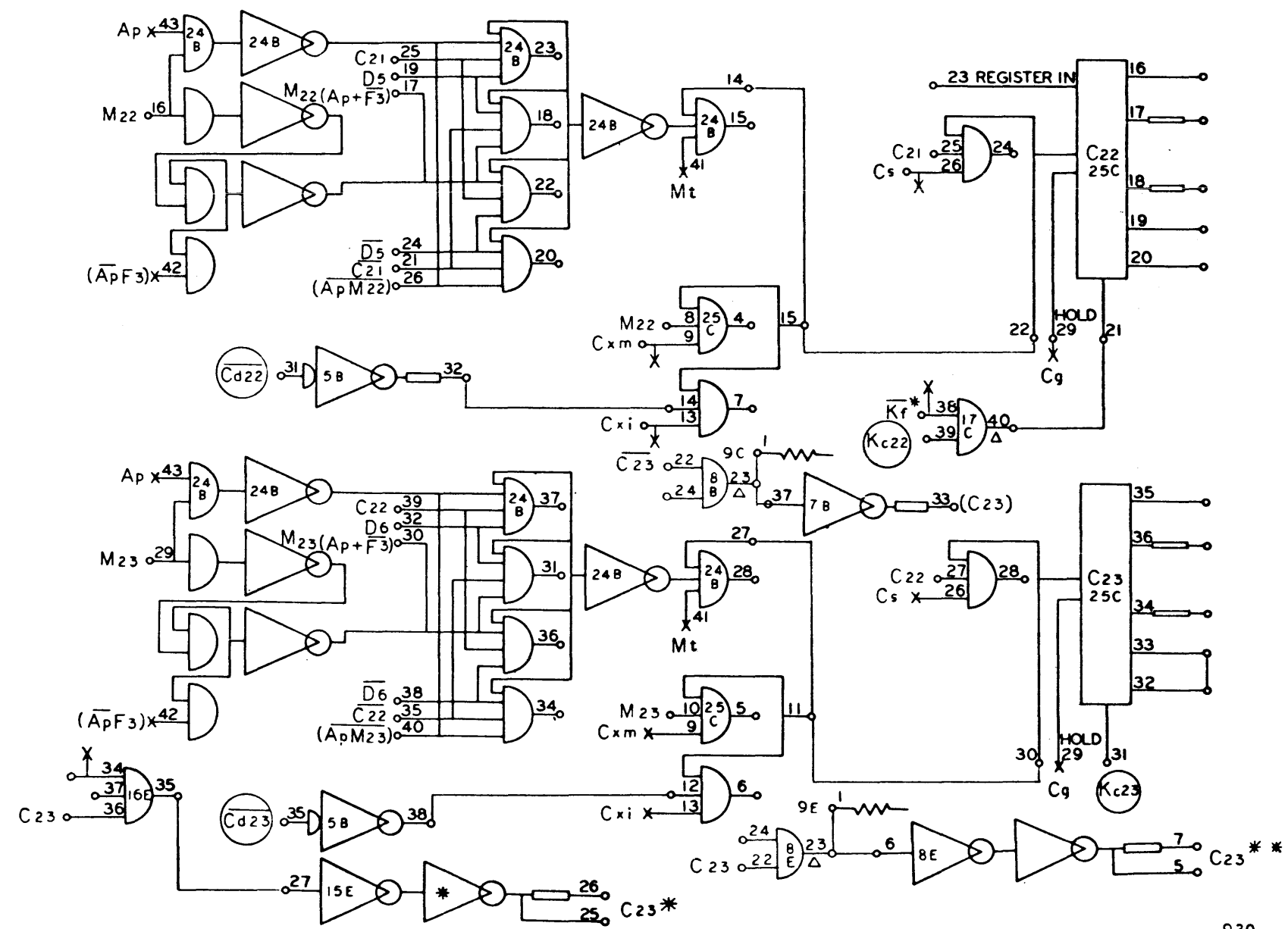
REVISIONS				101701
REV	DESCRIPTION	CHK	DATE	APPROVED
A	RELEASED TO MFG			
D	SEE REV. E.O.	DFT	10/13	
L	SEE REV EO			



920  
Page 80  
L

NO. REG.	DRAWING NO.	DESCRIPTION	REFERENCE DESIGNATION	ITEM NO.	
MATERIAL LIST					
NOTES UNLESS SPECIFIED		DRAWN	<b>SDS</b> SCIENTIFIC DATA SYSTEMS 1842 FIFTEENTH STREET SANTA MONICA CALIFORNIA <b>DIAGRAM, LOGIC COMPUTER</b>		
1. TOLERANCES	2. BREAK ALL SHARP EDGES	CHECK			
3. MACH. SURFACES	4. ALL DIM. IN INCHES	APPR			
5. ALL DIM. IN INCHES					
MODEL NO.	920	SIZE	DWG NO.	L	
NEXT ASSY.		SCALE	DO NOT SCALE DRAWING	SHEET	

REVISIONS				101701	
REV	DESCRIPTION	CHK	DATE	APPROVED	
A	RELEASED TO MFG				
J	SEE REV E.O.				



920  
Page 81  
J

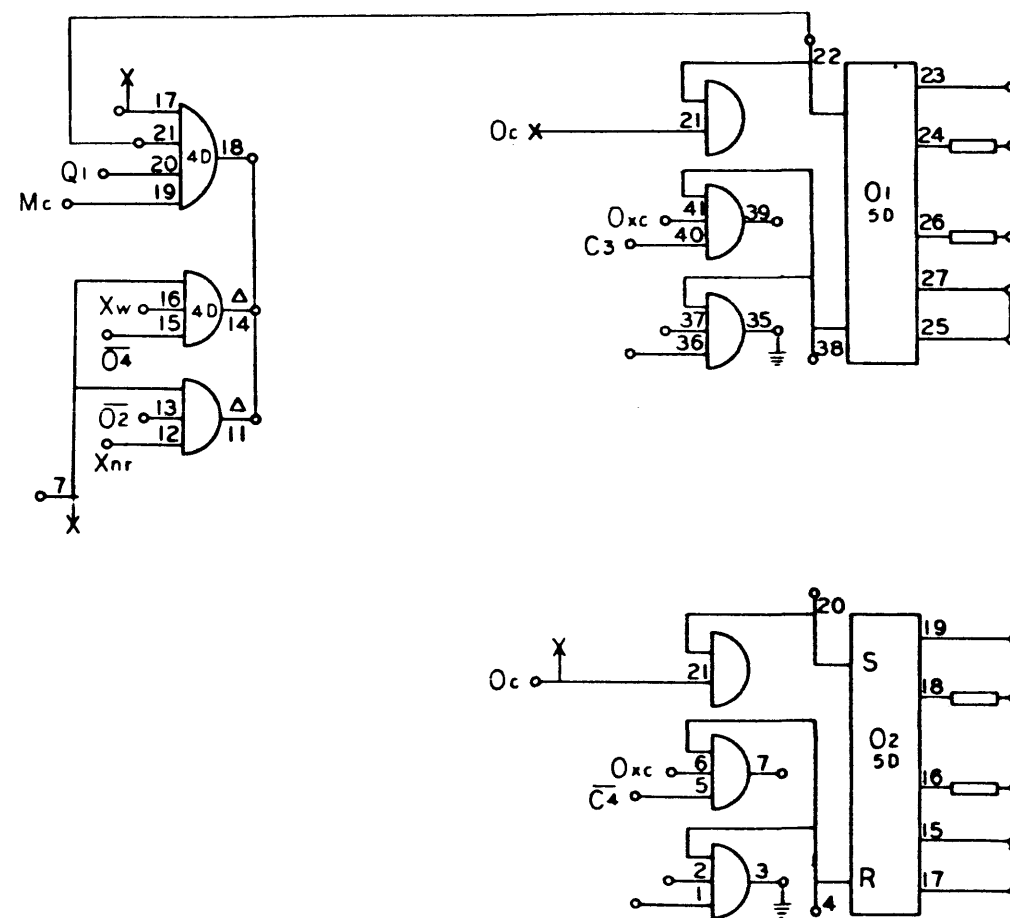
101701 J

NO. REV.	DRAWING NO.	DESCRIPTION	REFERENCE DESIGNATION	ITEM NO.
MATERIAL LIST				
NOTES UNLESS SPECIFIED		DRAWN: [Signature] CHECK: [Signature] APPR: [Signature]	<b>SDS</b> SCIENTIFIC DATA SYSTEMS 1542 FIFTEENTH STREET SANTA MONICA, CALIFORNIA	
1. TOLERANCES UNLESS SPECIFIED: .0005" ANGULAR .0005" DIMENSIONS 2. BREAK ALL SHARP EDGES AND CORNERS 3. CHECK DIMENSIONS 4. P.L. DIM. IN INCHES		TITLE <b>DIAGRAM, LOGIC COMPUTER</b>		
MODEL NO.	920	SIZE	DWG. NO.	J
NEXT REV.		SCALE	DO NOT SCALE DRAWING	SHEET





REVISIONS				101701	A
REV	DESCRIPTION	CHK	DATE	APPROVED	
A	RELEASED TO MFG				

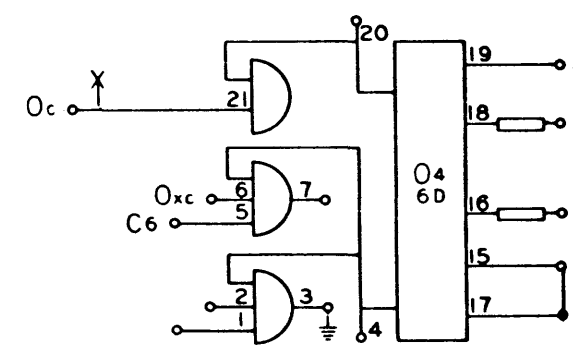
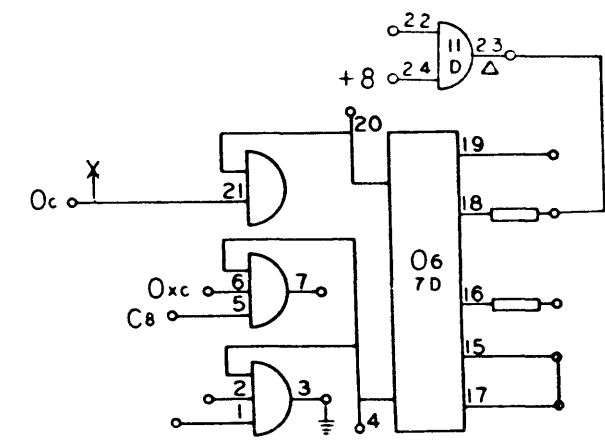
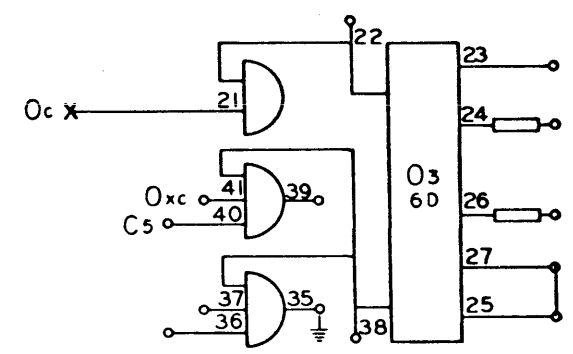
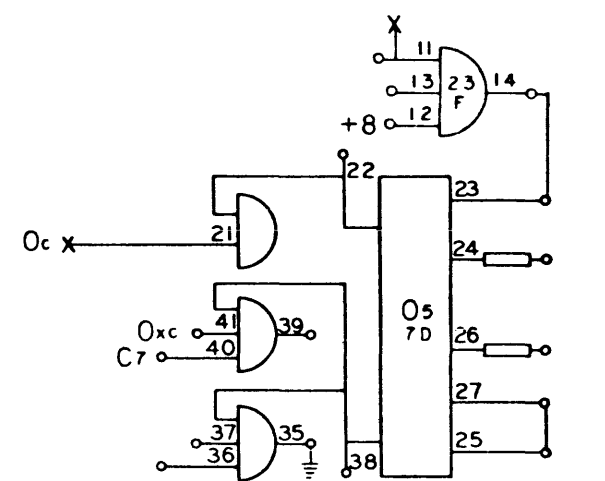


920  
Page 82

NO. REG.	DRAWING NO.	DESCRIPTION	REFERENCE DESIGNATION	ITEM NO.
MATERIAL LIST				
NOTES UNLESS SPECIFIED		DRAWN	<b>SDS</b> SCIENTIFIC DATA SYSTEMS 1902 FIFTEENTH STREET, SANTA MONICA, CALIFORNIA	
1. TOLERANCES XX ± .030 ANGULAR SEE 2.010 ± 1/2"		CHECK	TITLE	
2. BREAK ALL SHARP EDGES Ø10 APPROX		APPR	DIAGRAM, LOGIC COMPUTER	
3. MACH SURFACES ✓				
4. ALL DIM. IN INCHES				
MODEL NO.	920		REL. DWG NO.	A
NEXT ASSY.			D 101701	
			SCALE	DO NOT SCALE DRAWING SHEET

101701 | A |

REVISIONS			101701	A
REV	DESCRIPTION	CHK	DATE	APPROVED
A	RELEASED TO MFG			

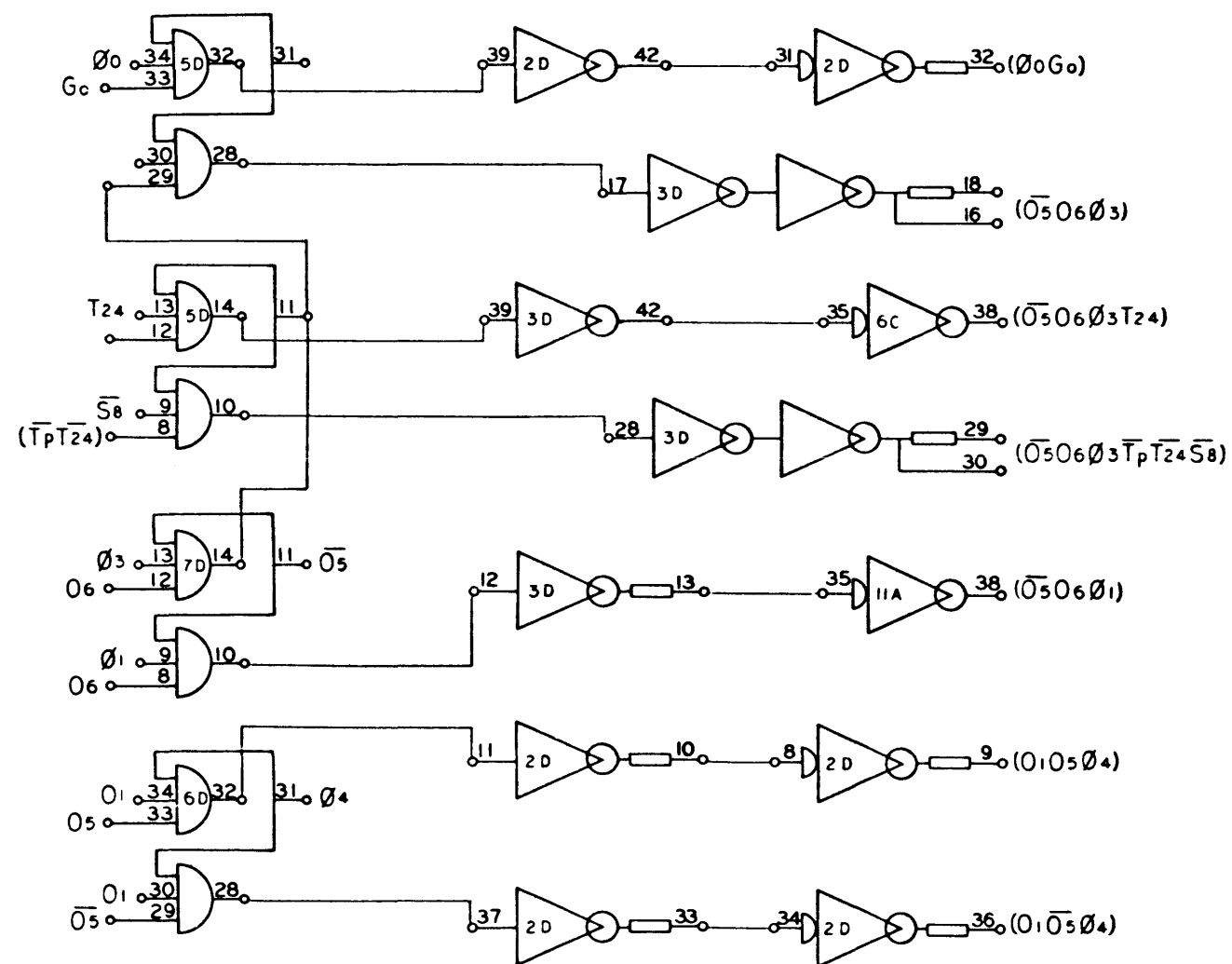


920  
Page 83

101701 | A |

NO. REQ.	DRAWING NO.	DESCRIPTION	REFERENCE DESIGNATION	ITEM NO.
MATERIAL LIST				
NOTES UNLESS SPECIFIED		DRAWN	CHECK	APPR
1. TOLERANCES XX ± 0.00 ANGULAR XXX ± 0.10				
2. BREAK ALL SHARP EDGES 0.10 APPROX.				
3. HATCH SURFACES ✓				
4. ALL DIM. IN INCHES				
MODEL NO. 920				
NEXT ASSY.		1542 FIFTEENTH STREET SANTA MONICA CALIFORNIA TITLE <b>DIAGRAM, LOGIC COMPUTER</b>		
		SIZE D	DWG NO. 101701	A
		SCALE	DO NOT SCALE DRAWING	SHEET

REVISIONS			101701		A
REV	DESCRIPTION	CHK	DATE	APPROVED	
A	RELEASED TO MFG		1/13		

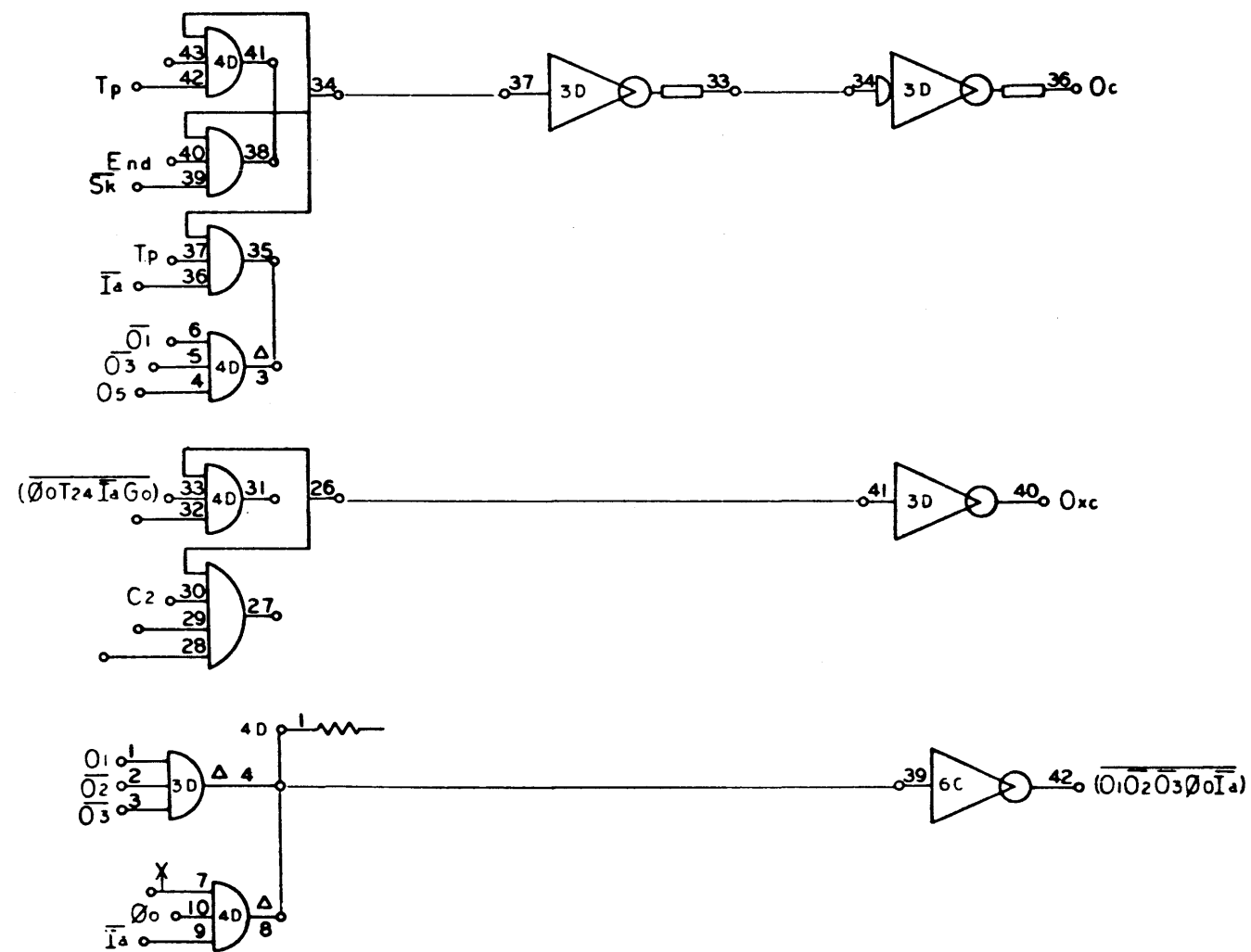


920  
Page 84

NO. REQ.	DRAWING NO.	DESCRIPTION	REFERENCE DESIGNATION	ITEM NO.
MATERIAL LIST				
NOTES UNLESS SPECIFIED		DRAWN		
1. TOLERANCES AS ± 0.00 ANGULAR .001 ± 0.10 2 1/2° 2. BREAK ALL SHARP EDGES BY APPROX. 3. HATCH SURFACES ✓ 4. ALL DIM. IN INCHES		CHECK	1542 FIFTEENTH STREET SANTA MONICA, CALIFORNIA	
		APPR	TITLE	
			DIAGRAM, LOGIC COMPUTER	
MODEL NO.		SIZE		DWG. NO.
920		D		101701
NEXT ASSY.		SCALE		SHEET
		DO NOT SCALE DRAWING		A

101701 1A1

REV		DESCRIPTION		REVISIONS		101701	A
REV	DATE	CHK	DATE	CHK	DATE	APPROVED	
A						RELEASED TO MFG	

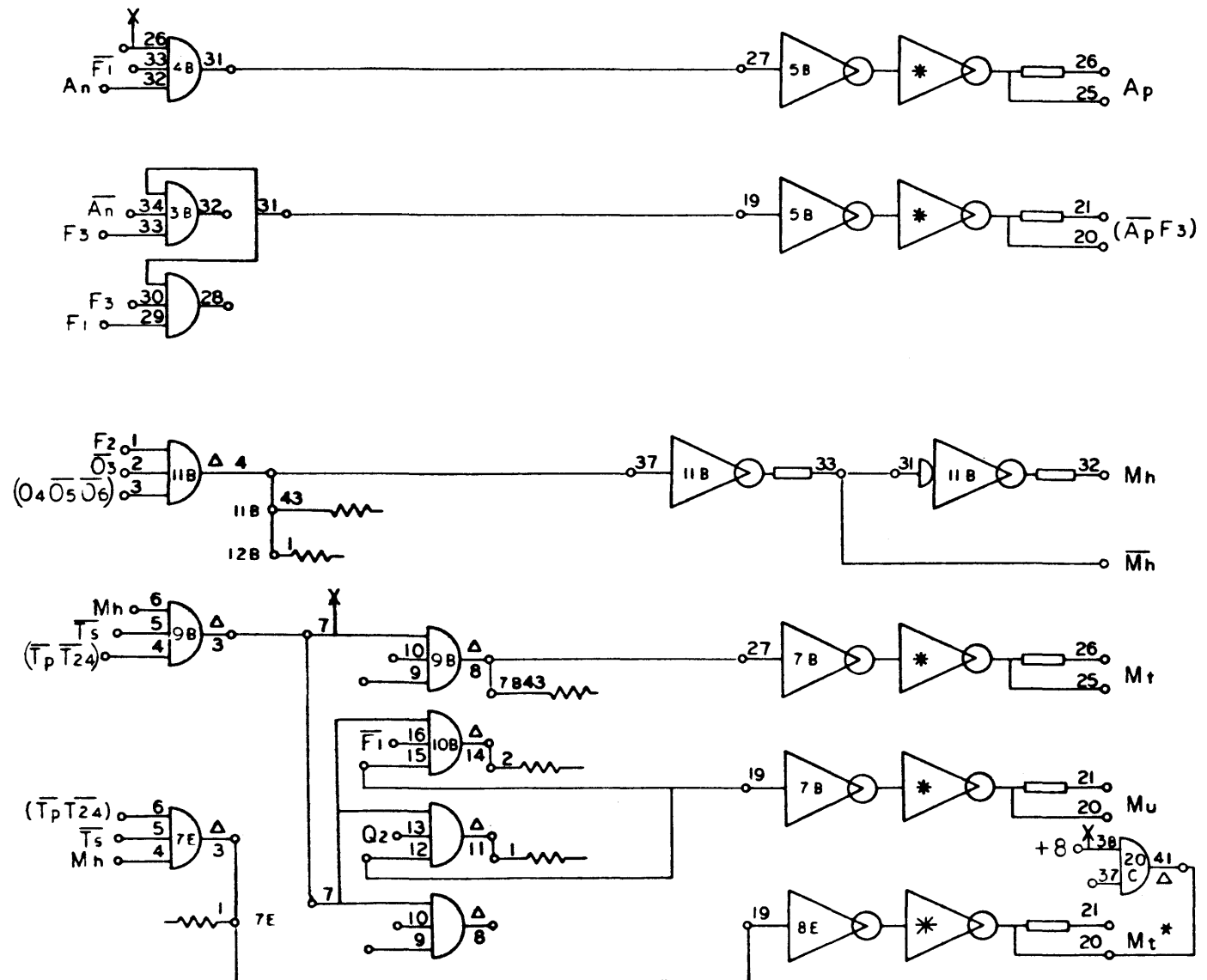


920  
Page 85

NO. REV.	DRAWING NO.	DESCRIPTION	REFERENCE DESIGNATION	ITEM NO.
MATERIAL LIST				
NOTES UNLESS SPECIFIED		DRAWN	SDS SCIENTIFIC DATA SYSTEMS 1542 FIFTEENTH STREET SANTA MONICA CALIFORNIA	
1 TOLERANCES	22 - 0.005	ANGULAR	CHECK	1/13/64
2 BREA ALL SHARP EDGES	0.10 APPROX	0.10 APPROX	APPR	1/14/64
3 BACH SURFACES	✓			
4 ALL DIM IN INCHES				
MODEL NO. 920		SIZE D		DWG NO. 101701
NEXT ASSY		SCALE		SHEET A
		DO NOT SCALE DRAWING		

101701 | A |

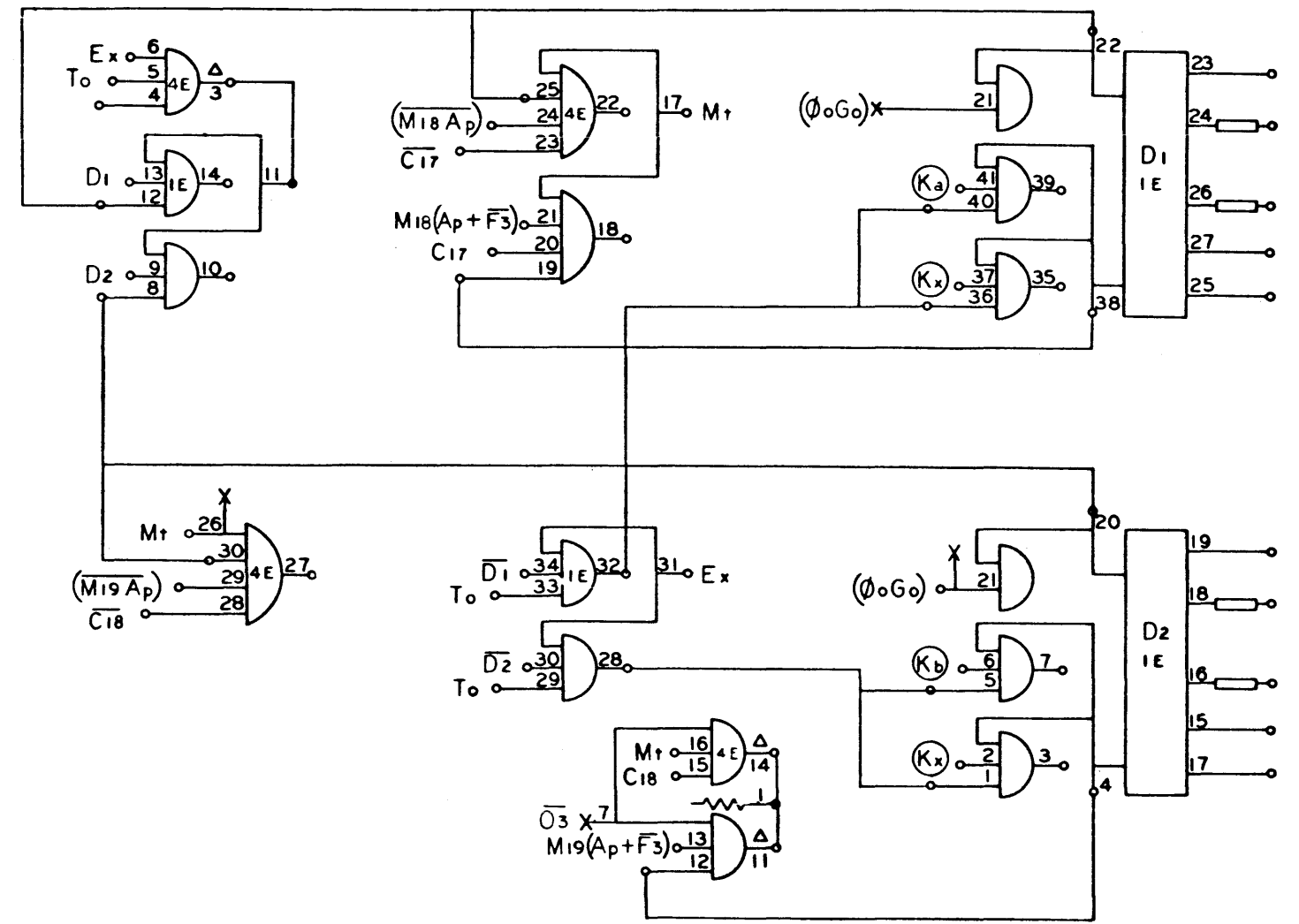
REVISIONS				101701	A
REV	DESCRIPTION	CHK	DATE	APPROVED	
A	RELEASED TO MFG				



920  
Page 86

NO. REV.	DRAWING NO.	DESCRIPTION	REFERENCE DESIGNATION	ITEM NO.
NOTES UNLESS SPECIFIED				
1. TOLERANCES XX = 0.005 XXX = 0.010		DRAWN		<b>SDS</b> SCIENTIFIC DATA SYSTEMS 1542 FIFTEENTH STREET, SANTA MONICA, CALIFORNIA <b>DIAGRAM, LOGIC COMPUTER</b>
2. BREAK ALL SHARP EDGES AND APPROX.		CHECK		
3. HATCH SURFACES		APPR.		
4. ALL DIM. IN INCHES				
MODEL NO.	920	SIZE	DWG NO.	A
NEXT ASSY.		SCALE	D 101701	
			DO NOT SCALE DRAWING	SHEET

REVISIONS				101701	A
REV	DESCRIPTION	CHE	DATE	APPROVED	
A	RELEASED TO MFG		11/13/67		

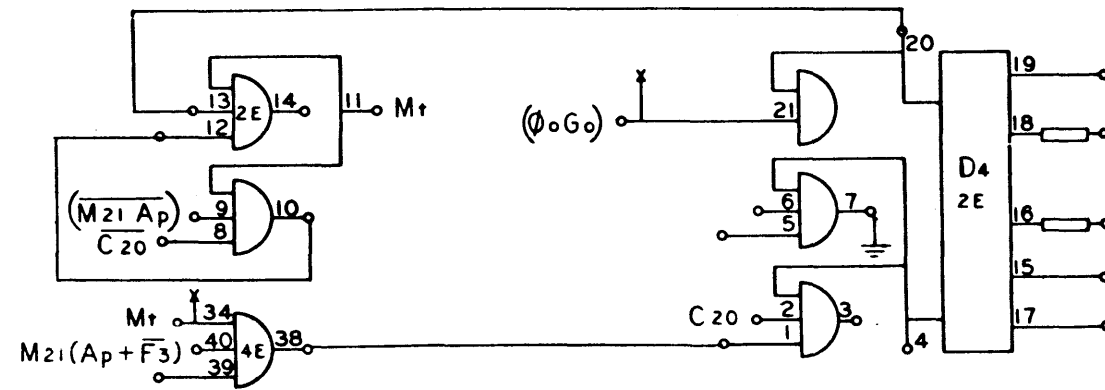
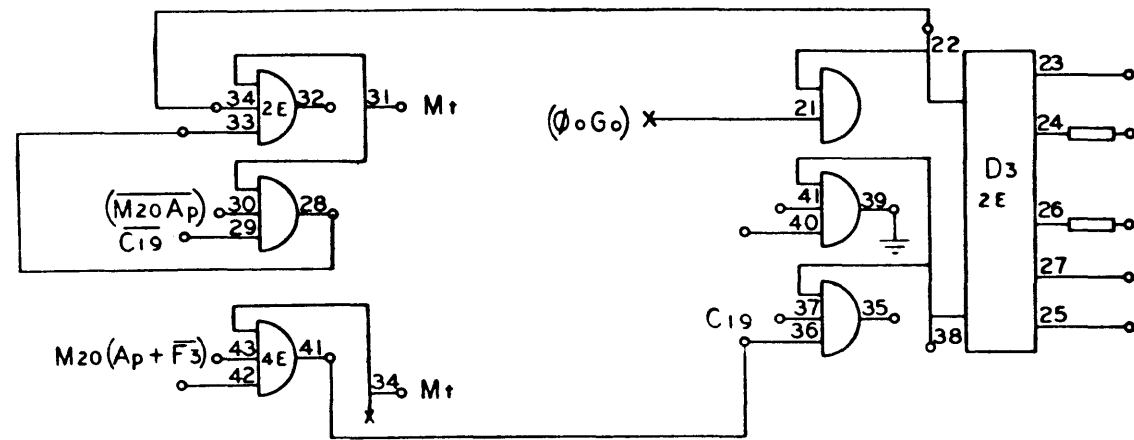


920  
Page 87

NO	REG	DRAWING NO.	DESCRIPTION	REFERENCE DESIGNATION	ITEM NO.
MATERIAL LIST					
NOTES UNLESS SPECIFIED 1. TOLERANCES 2. DIM. ANGULAR 3. SEE 2. DIM. ±1° 4. BREAK ALL SHARP EDGES 5. .010 APPROX. 6. MACH. SURFACES ✓ 7. ALL DIM. IN INCHES					
DRAWN		CHECKED		DATE	
APPR.		DATE		DATE	
MODEL NO. <b>920</b>			TITLE <b>DIAGRAM, LOGIC COMPUTER</b>		
NEXT ASSY.			SCALE DO NOT SCALE DRAWING		
SIZE <b>D</b>			DWG NO. <b>101701</b>		
			SHEET <b>A</b>		

101701 | A |

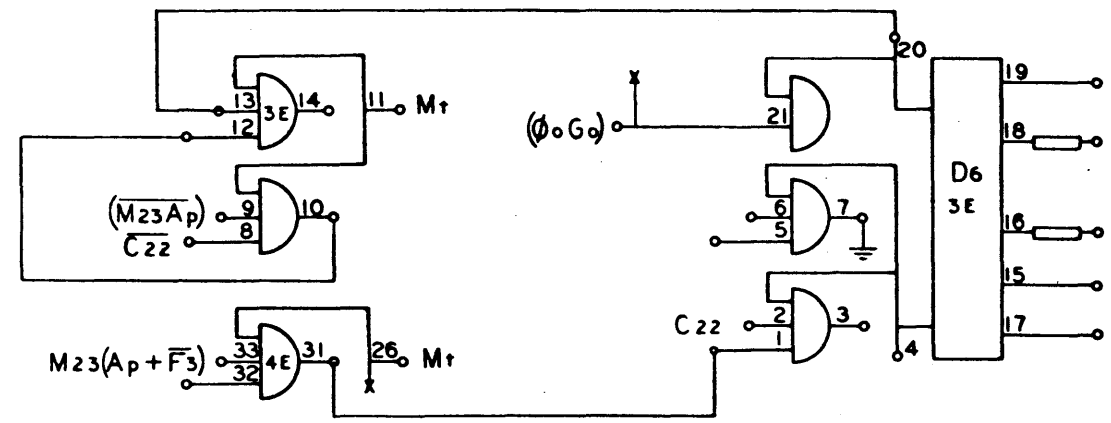
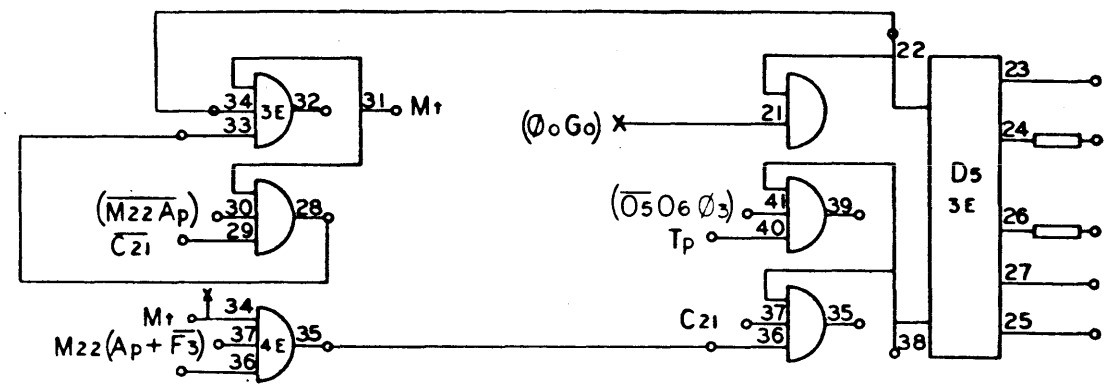
REVISIONS				101701	A
REV	DESCRIPTION	CHK	DATE	APPROVED	
A	RELEASED TO MFG				



920  
Page 88

NO. REQ.	DRAWING NO.	DESCRIPTION	REFERENCE DESIGNATION	ITEM NO.
MATERIAL LIST				
NOTES UNLESS SPECIFIED		DRAWN	<b>SDS</b> SCIENTIFIC DATA SYSTEMS 1542 FIFTEENTH STREET SANTA MONICA CALIFORNIA	
1. TOLERANCES XX ± .000 ANGULAR XXX ± .010 2°/4°	CHECK	<i>[Signature]</i>	DATE	TITLE
2. BREAK ALL SHARP EDGES .010 APPROX	APPR.	<i>[Signature]</i>	11/10/62	DIAGRAM, LOGIC COMPUTER
3. RACK SURFACES ✓				
4. ALL DIM. IN INCHES				
MODEL NO.	920	SIZE	DWG NO.	A
NEXT ASSY.		D	101701	
SCALE		DO NOT SCALE DRAWING SHEET		

REVISIONS				101701	B
REV	DESCRIPTION	CHK	DATE	APPROVED	
A	RELEASED TO MFG		1/13		
B	SEE REV. E. O.		1/13		



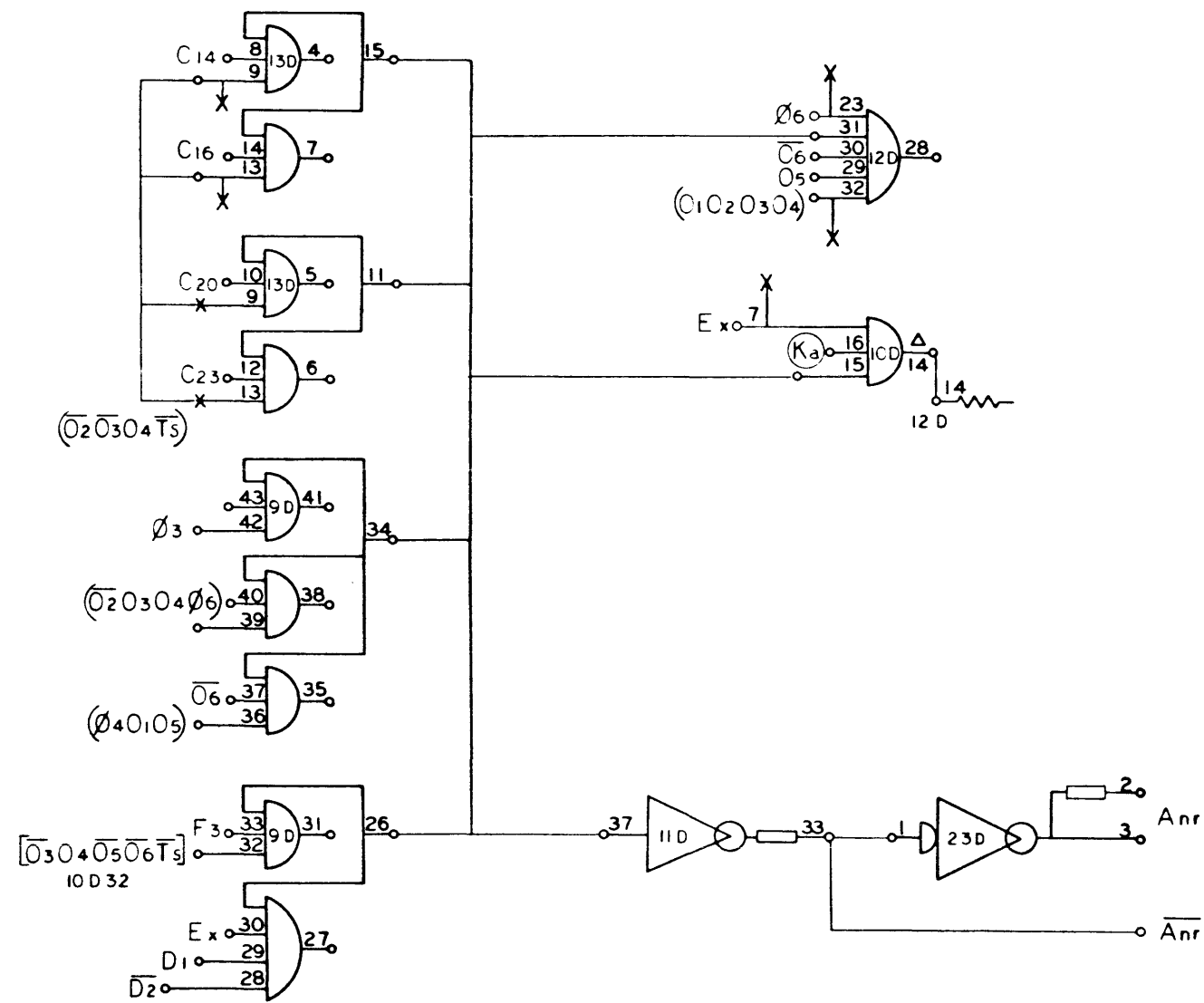
920  
Page 89  
B

101701 B

NO. RES.	DRAWING NO.	DESCRIPTION	REFERENCE DESIGNATION	ITEM NO.
MATERIAL LIST				
NOTES UNLESS SPECIFIED		DRAWN	CHECK	APPR.
1. TOLERANCES SEE 2.040 ANGULAR SEE 2.040 ± 1/2° 2. BREAK ALL SHARP EDGES 3/16 APPROX. 3. HATCH SURFACES ✓ 4. ALL DIM. IN INCHES				
		 1545 FIFTEENTH STREET SANTA MONICA CALIFORNIA		
		TITLE <b>DIAGRAM, LOGIC COMPUTER</b>		
MODEL NO.		REV		DWG NO.
920		D		101701
NEXT ASSY.		SCALE		SHEET
		DO NOT SCALE DRAWING		



REV		DESCRIPTION		CHK	DATE	APPROVED
A		RELEASED TO MFG				



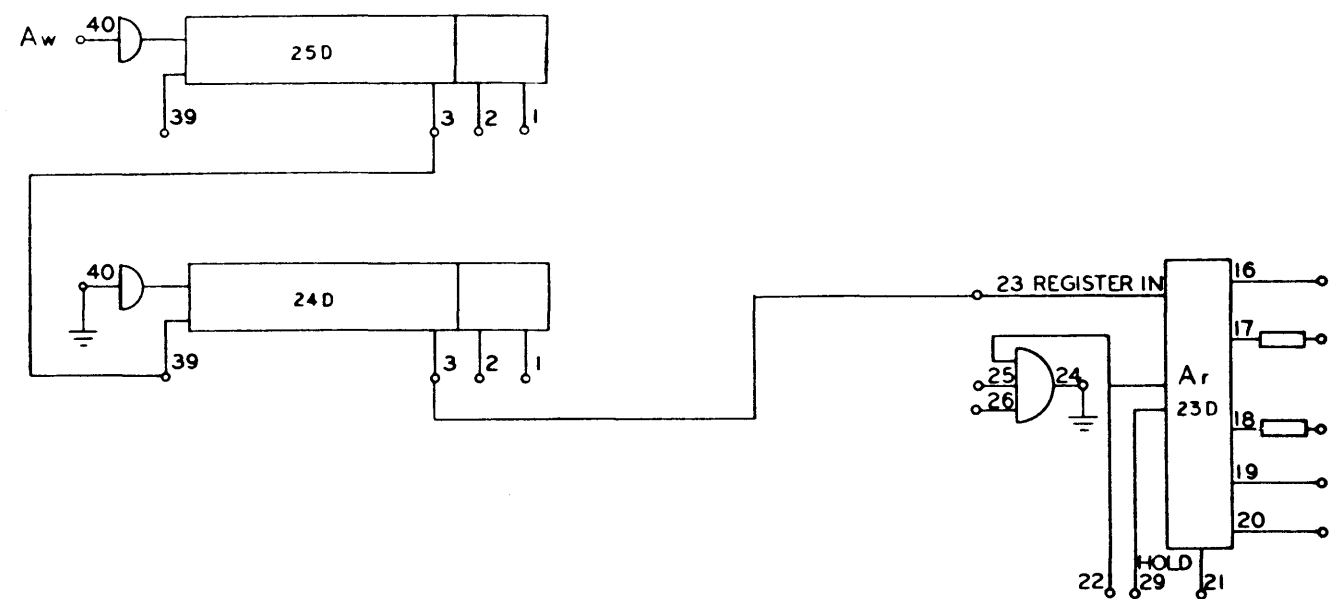
920  
Page 90

NO. REQ.	DRAWING NO.	DESCRIPTION	REFERENCE DESIGNATION	ITEM NO.
MATERIAL LIST				
NOTES UNLESS SPECIFIED		DRAWN	CHECK	DATE
1. TOLERANCES XX ± .000 ANGLULAR .XXX ± .010 2 1/2°		APPR		
2. BREAK ALL SHARP EDGES .010 APPROX				
3. MACH SURFACES ✓				
4. ALL DIM. IN INCHES				
		1545 FIFTEENTH STREET, SANTA MONICA, CALIFORNIA		
		<b>DIAGRAM, LOGIC COMPUTER</b>		
MODEL NO.	920	SIZE	DWG NO.	A
NEXT ASSY.		D	101701	
		SCALE	DO NOT SCALE DRAWING	SHEET

101701 | A1



REVISIONS				101701	A
REV	DESCRIPTION	CHK	DATE	APPROVED	
A	RELEASED TO MFG		1-13		

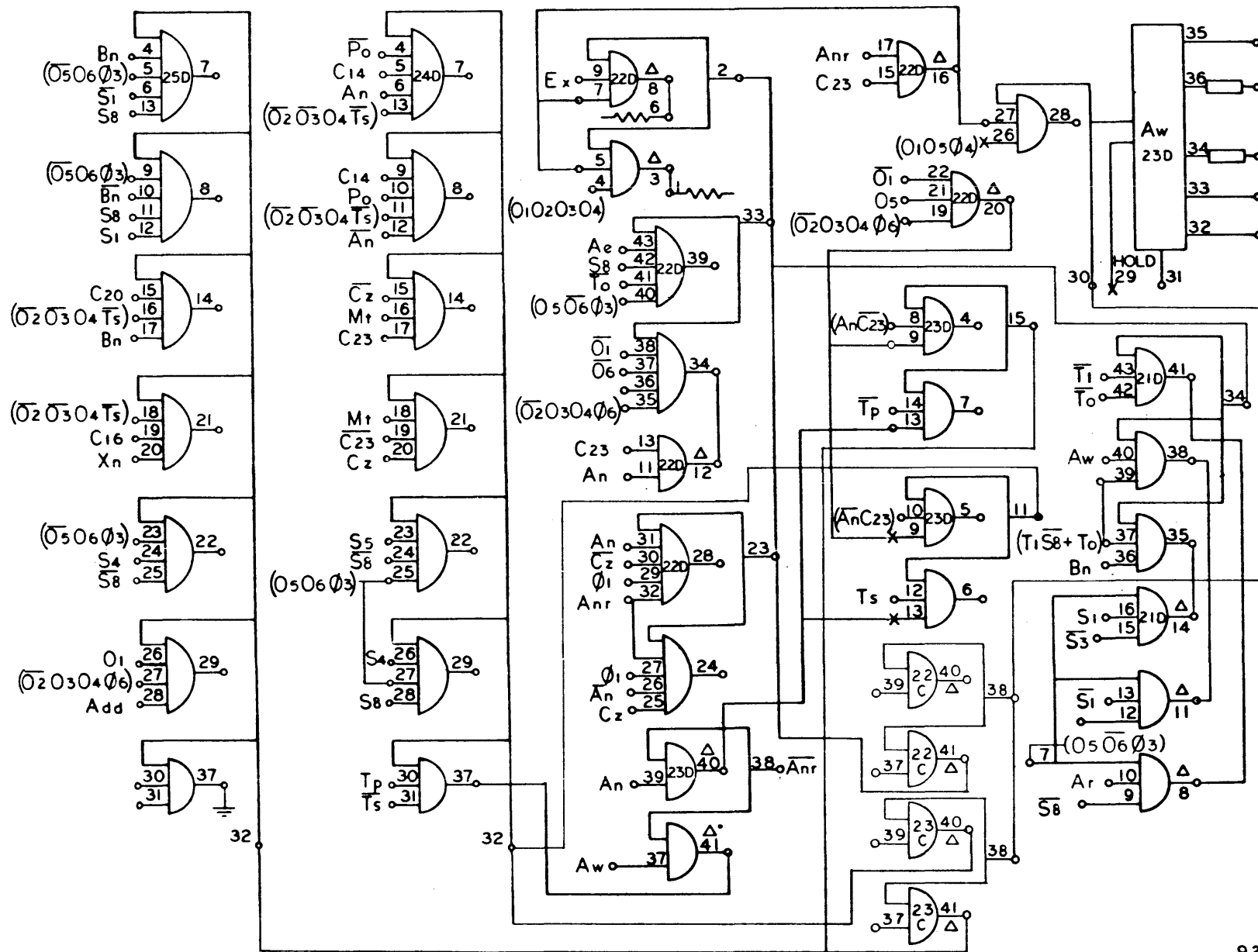


920  
Page 91

NO. REQ.	DRAWING NO.	DESCRIPTION	REFERENCE DESIGNATION	ITEM NO.
MATERIAL LIST				
NOTES UNLESS SPECIFIED		DRAWN	CHECK	DATE
1. TOLERANCES XX ± .000 ANGULAR SEE 2. DIM ± .1°				1-13-67
2. BREAK ALL SHARP EDGES Ø10 APPROX		APPR		1-13-67
3. HATCH SURFACES ✓				
4. ALL DIMS. IN INCHES				
MODEL NO. 920		TITLE		DIAGRAM, LOGIC COMPUTER
NEXT ASSY		SIZE D	DWG NO. 101701	A
SCALE		DO NOT SCALE DRAWING		SHEET

101701 | A |

REVISIONS				101701
REV	DESCRIPTION	CHK	DATE	APPROVED
A	RELEASED TO MFG			
B	SEE REV. E.O.			

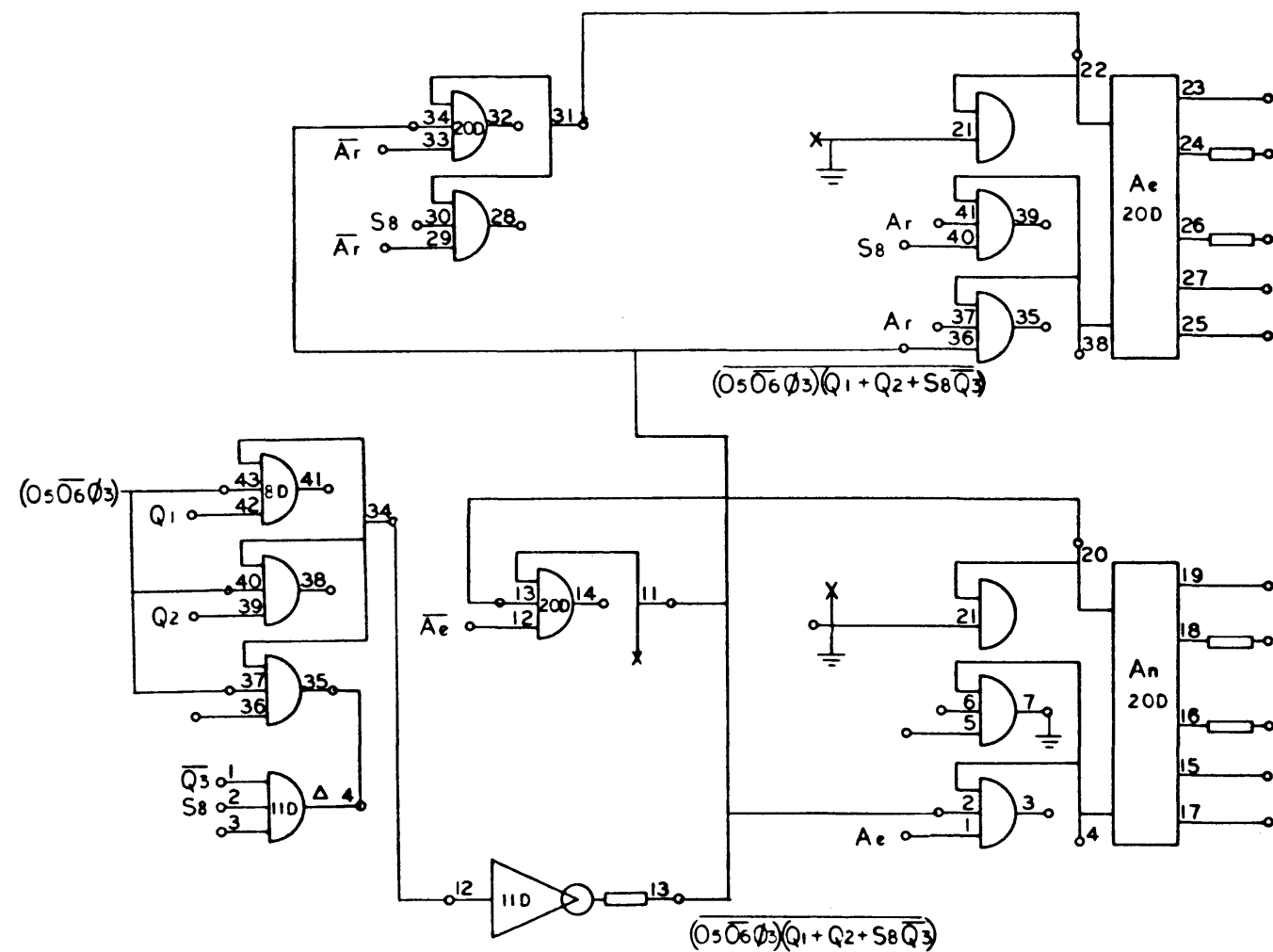


920  
Page 92  
B

NO. REG.	DRAWING NO.	DESCRIPTION	REFERENCE DESIGNATION	ITEM NO.
NOTES UNLESS SPECIFIED 1. TOLERANCES XX ± .050 ANGULAR .XX ± .010 2:1 2. BREAK ALL SHARP EDGES .010 APPROX 3. MACH SURFACES ✓ 4. ALL DIM. IN INCHES				
MODEL NO. 920 NEXT ASSY.		MATERIAL LIST DRAWN: [Signature] CHECK: [Signature] APPR: [Signature] <b>SDS</b> SCIENTIFIC DATA SYSTEMS 1545 FIFTEENTH STREET SANTA MONICA CALIFORNIA TITLE <b>DIAGRAM, LOGIC COMPUTER</b>		
SCALE		DO NOT SCALE DRAWING		SHEET B

101701 B

REV		REVISIONS			101701		A
REV	DESCRIPTION	CHK	DATE	APPROVED			
A	RELEASED TO MFG						

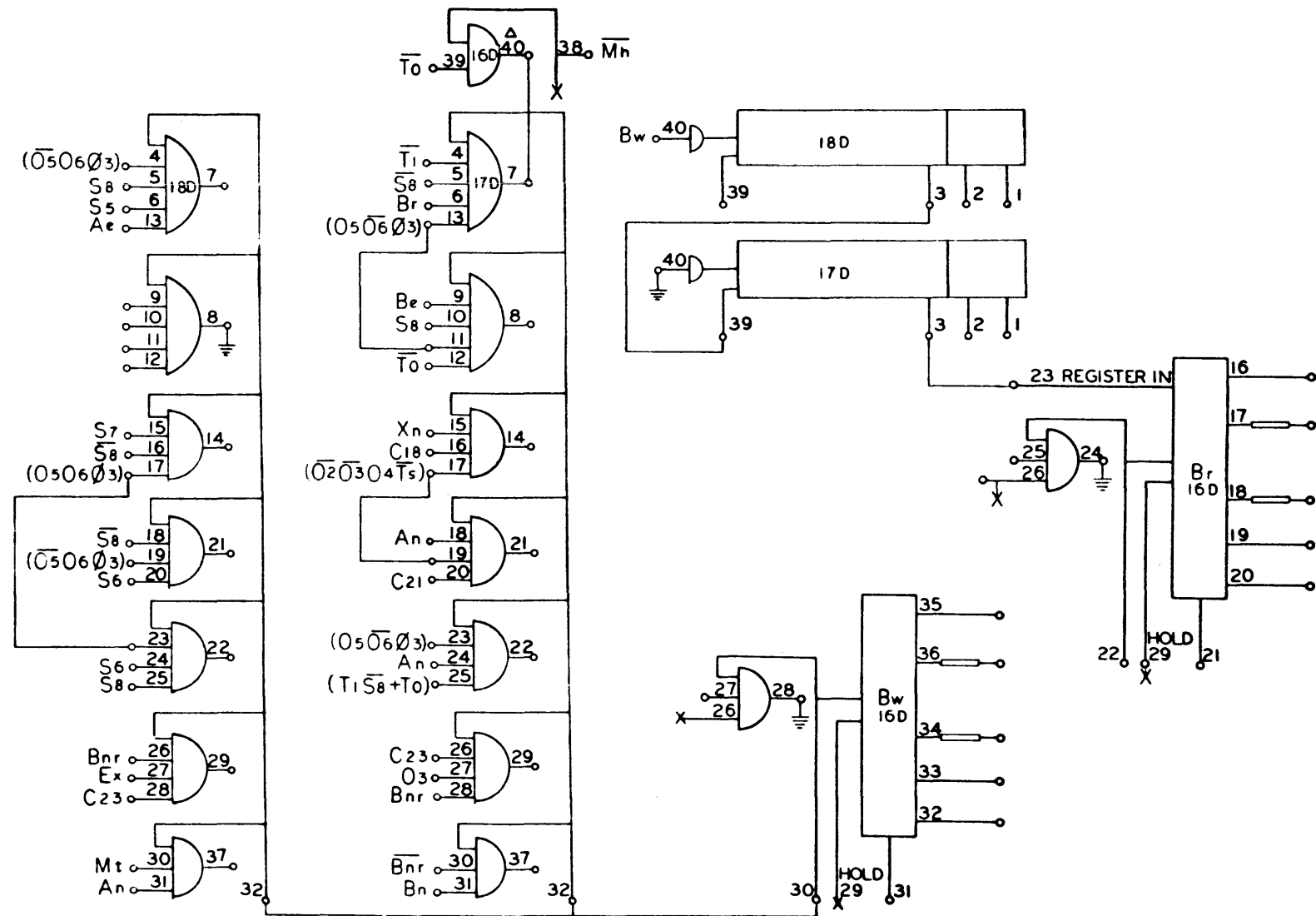


920  
Page 93

NO. REQ.	DRAWING NO.	DESCRIPTION	REFERENCE DESIGNATION	ITEM NO.
MATERIAL LIST				
NOTES UNLESS SPECIFIED		DRAWN	CHECK	DATE
1. TOLERANCES XX ± .000 ANGULAR XXX ± .010 ± 1/2°		APPR		
2. BREAK ALL SHARP EDGES 0.10 APPROX		<div style="text-align: center;"> <p>1542 FIFTEENTH STREET SANTA MONICA CALIFORNIA</p> </div>		
3. MATCH SURFACES ✓				
4. ALL DIM IN INCHES		TITLE		
MODEL NO. 920			SIZE D	DWG NO. 101701
NEXT ASSY.			SCALE	SHEET A
			DO NOT SCALE DRAWING	

101701 | A1

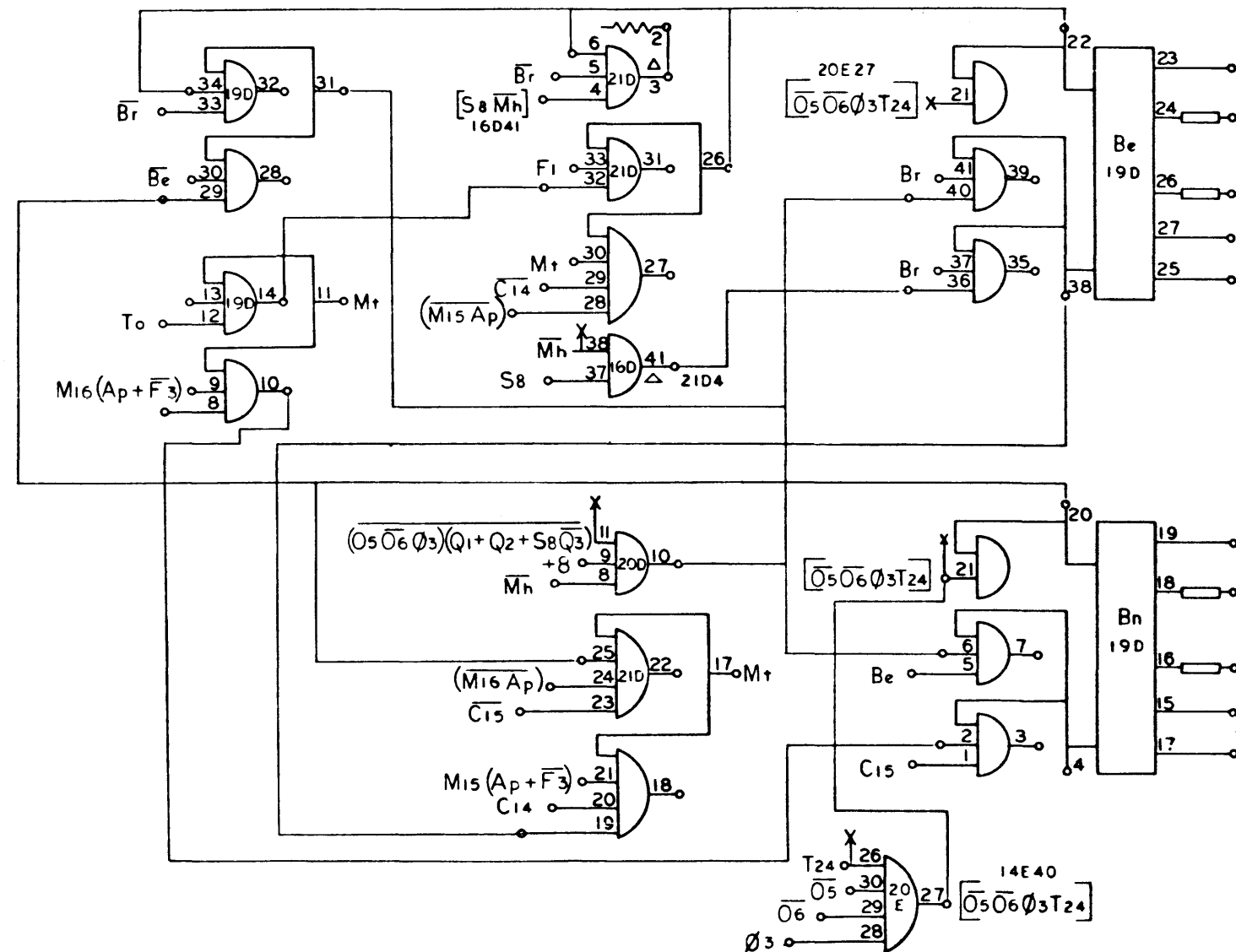
REVISIONS				101701	A
REV	DESCRIPTION	CHK	DATE	APPROVED	
A	RELEASED TO MFG		1/13/67		



101701 | A |

NO. REV.	DRAWING NO.	DESCRIPTION	REFERENCE DESIGNATION	ITEM NO.
MATERIAL LIST				
NOTES UNLESS SPECIFIED: 1. TOLERANCES: .XX ± .000    ANGULAR ± 1/2° .XX ± .010 2. BREAK ALL SHARP EDGES .010 APPROX. 3. HATCH SURFACES ✓ 4. ALL DIM. IN INCHES				
DRAWN: [Signature] CHECK: [Signature] 1/13/67 APPR: [Signature]		<b>SDS</b> SCIENTIFIC DATA SYSTEMS 1542 FIFTEENTH STREET SANTA MONICA CALIFORNIA		
MODEL NO. 920		TITLE <b>DIAGRAM, LOGIC COMPUTER</b>		
NEXT ASSY.		SIZE D	DWG NO. 101701	A
SCALE		DO NOT SCALE DRAWING SHEET		

REVISIONS				101701	A
REV	DESCRIPTION	CHK	DATE	APPROVED	
A	RELEASED TO MFG				

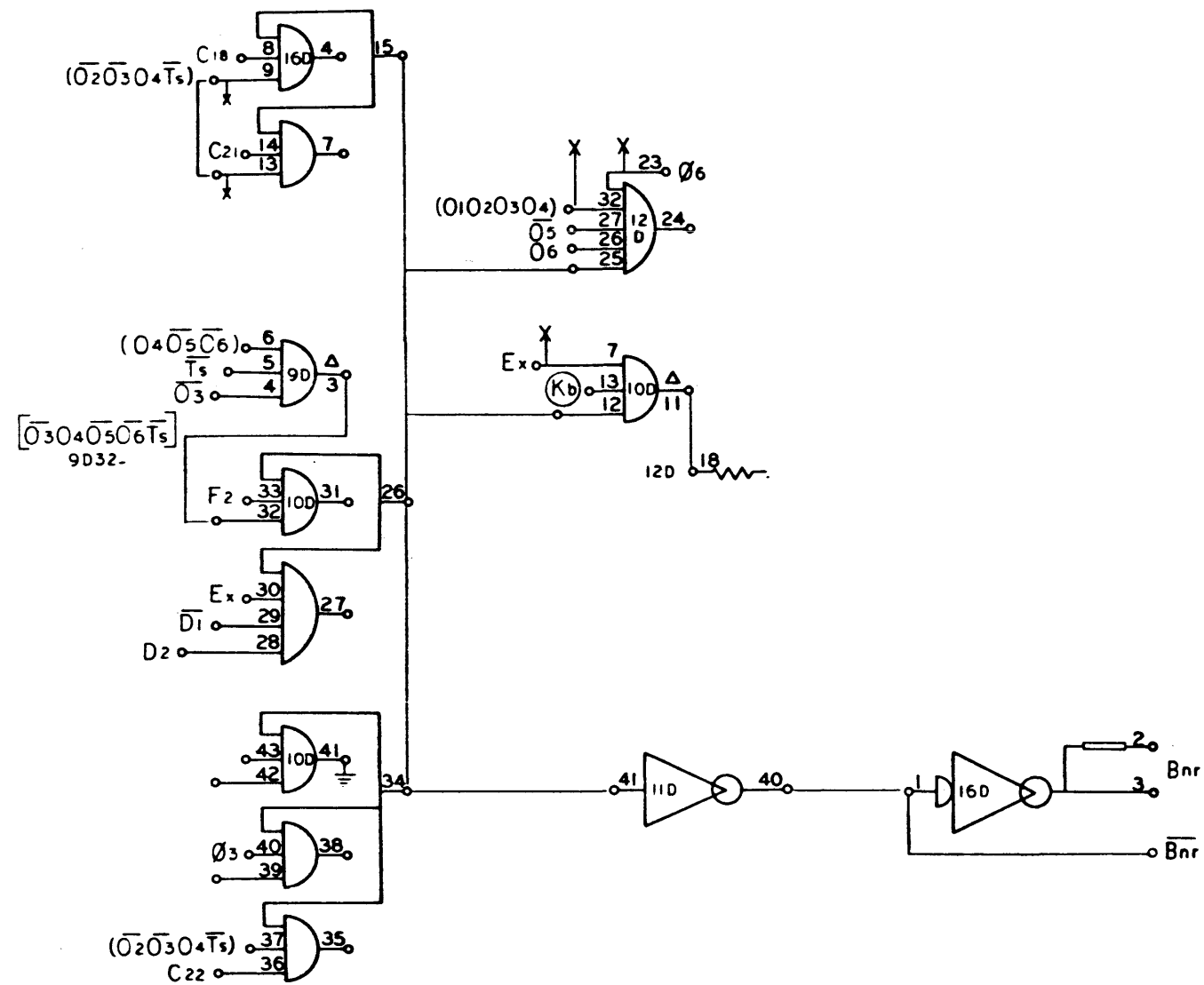


920  
Page 95

NO. REQ.	DRAWING NO.	DESCRIPTION	REFERENCE DESIGNATION	ITEM NO.
MATERIAL LIST				
NOTES UNLESS SPECIFIED		DRAWN	CHECK	DATE
1. TOLERANCES XX ± .030 ANGULAR XXX ± .010				
2. BREAK ALL SHARP EDGES D10 APPROX		APPR		
3. MACH SURFACES ✓		<b>SDS</b> SCIENTIFIC DATA SYSTEMS 1542 FIFTEENTH STREET SANTA MONICA CALIFORNIA		
4. ALL DIM. IN INCHES				
MODEL NO. 920		TITLE DIAGRAM, LOGIC COMPUTER		
NEXT ASSY.		SIZE D	DWG NO. 101701	SHEET A
SCALE		DO NOT SCALE DRAWING SHEET		

101701 (A)

REVISIONS				101701	A
REV	DESCRIPTION	CHK	DATE	APPROVED	
A	RELEASED TO MFG	<i>[Signature]</i>	1-30-56		



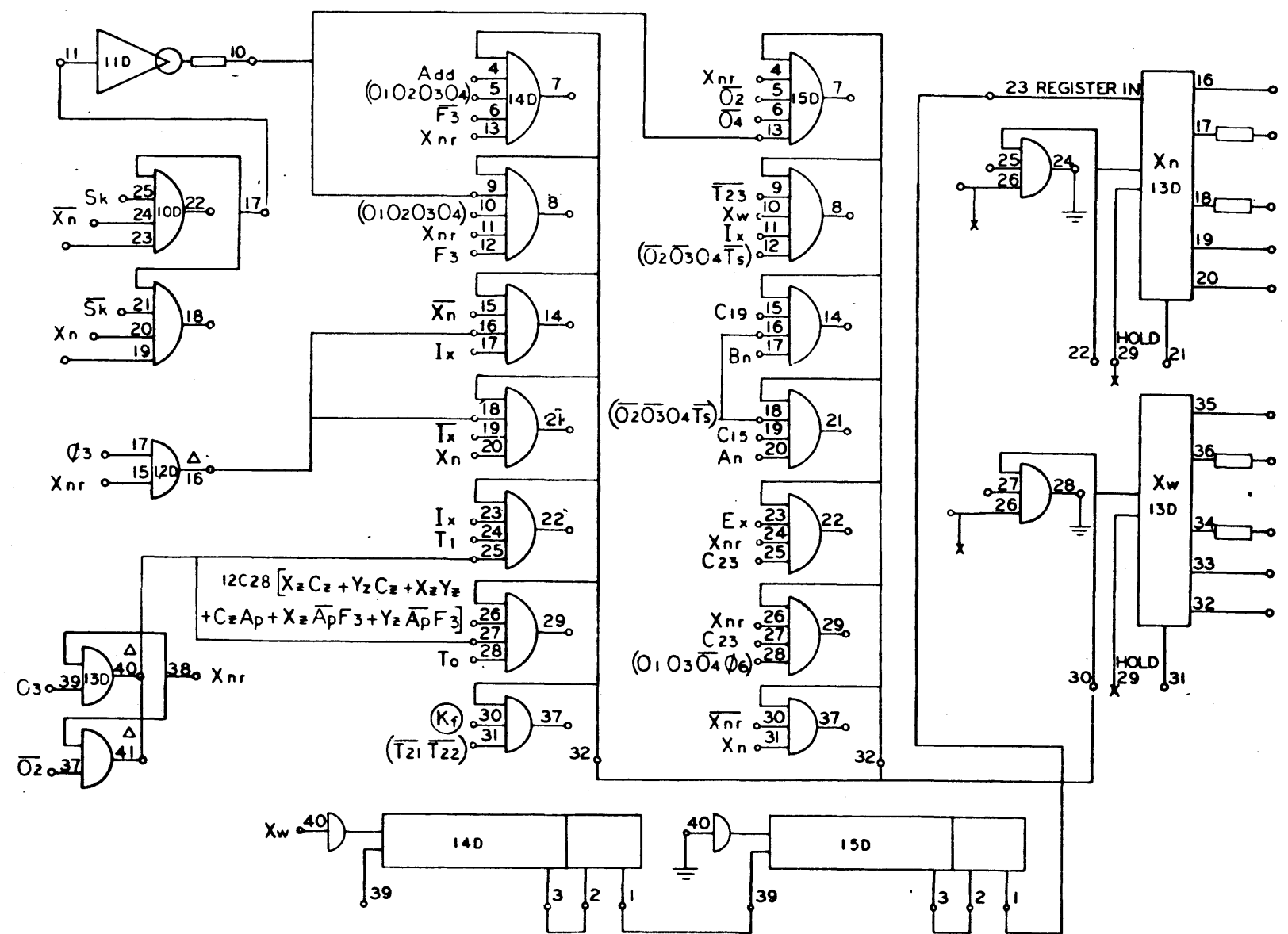
920  
Page 96

101701 A

NO. REQ.	DRAWING NO.	DESCRIPTION	REFERENCE DESIGNATION	ITEM NO.
MATERIAL LIST				
NOTES UNLESS SPECIFIED		DRAWN	CHECK	DATE
1. TOLERANCES XX ± .000 ANGULAR XXX ± .010 ± 1/4"			<i>[Signature]</i>	1/13/57
2. BREAK ALL SHARP EDGES 3/16 APPROX.		APPR.	<i>[Signature]</i>	11/14/56
3. BACK SURFACES ✓				
4. ALL DIM. IN INCHES				
MODEL NO. 920		<b>SDS</b> SCIENTIFIC DATA SYSTEMS 1545 FIFTEENTH STREET SANTA MONICA CALIFORNIA		TITLE
NEXT ASSY.		DIAGRAM, LOGIC COMPUTER		
		SIZE	DWG NO.	SHEET
		D	101701	A
		SCALE	DO NOT SCALE DRAWING	



REVISIONS			101701	A
REV	DESCRIPTION	CHK	DATE	APPROVED
A	RELEASED TO MFG			

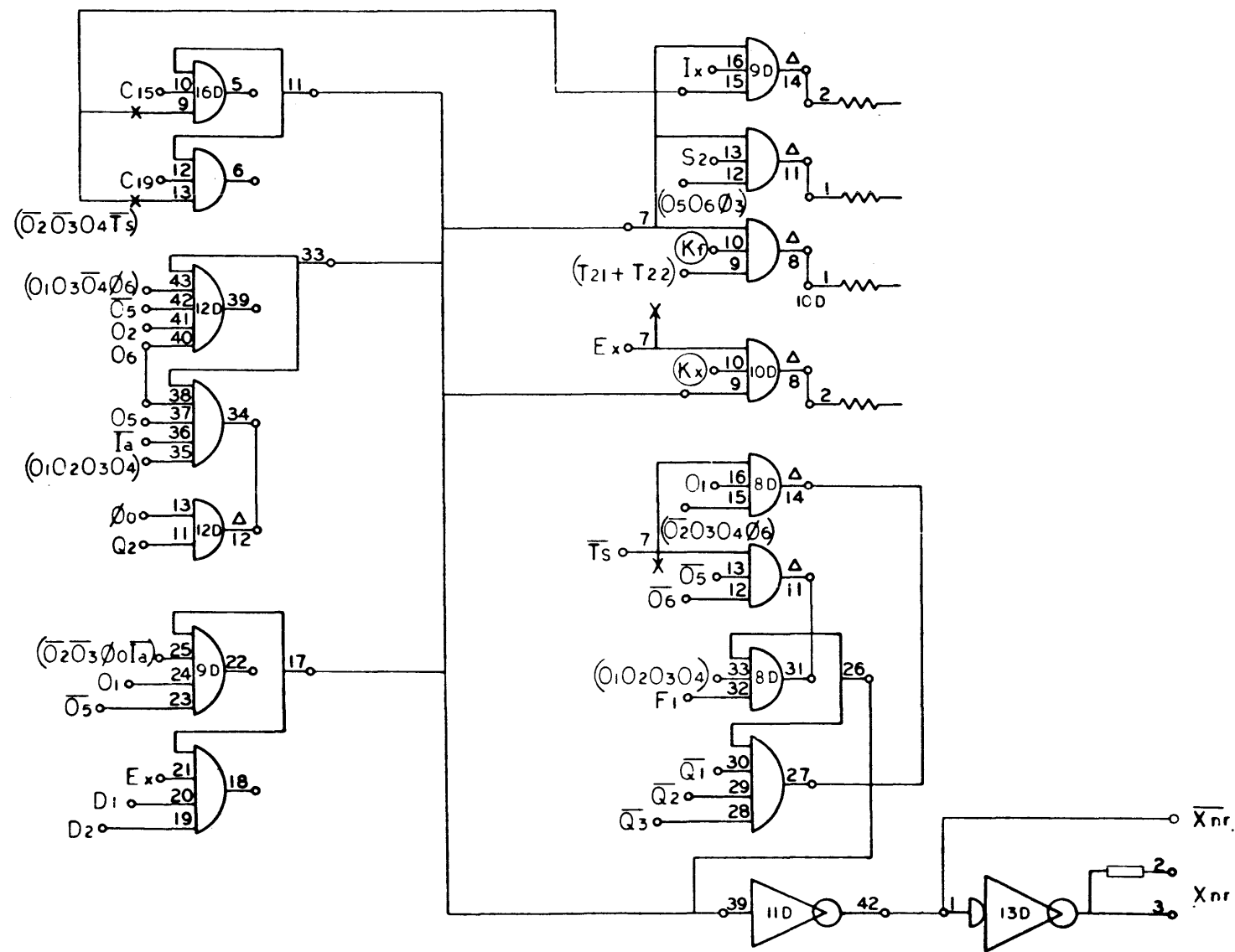


920  
Page 97

NO. REQ.	DRAWING NO.	DESCRIPTION	REFERENCE DESIGNATION	ITEM NO.
NOTES UNLESS SPECIFIED				
1. TOLERANCES SEE 2.010 ANGULAR SEE 2.010 $\pm 1/2^\circ$				
2. BREAK ALL SHARP EDGES 910 APPROX				
3. BACH SURFACES $\checkmark$				
4. ALL DIM. IN INCHES				
MATERIAL LIST				
1342 FIFTEENTH STREET, SANTA MONICA, CALIFORNIA				
MODEL NO. <b>920</b>				
NEXT ASSY.				
TITLE <b>DIAGRAM, LOGIC COMPUTER</b>				
SIZE DWG NO. <b>D 101701</b>				
SCALE <b>A</b>				
DO NOT SCALE DRAWING SHEET				

101701 (A)

REVISIONS				101701	A
REV	DESCRIPTION	CHK	DATE	APPROVED	
A	RELEASED TO MFG				

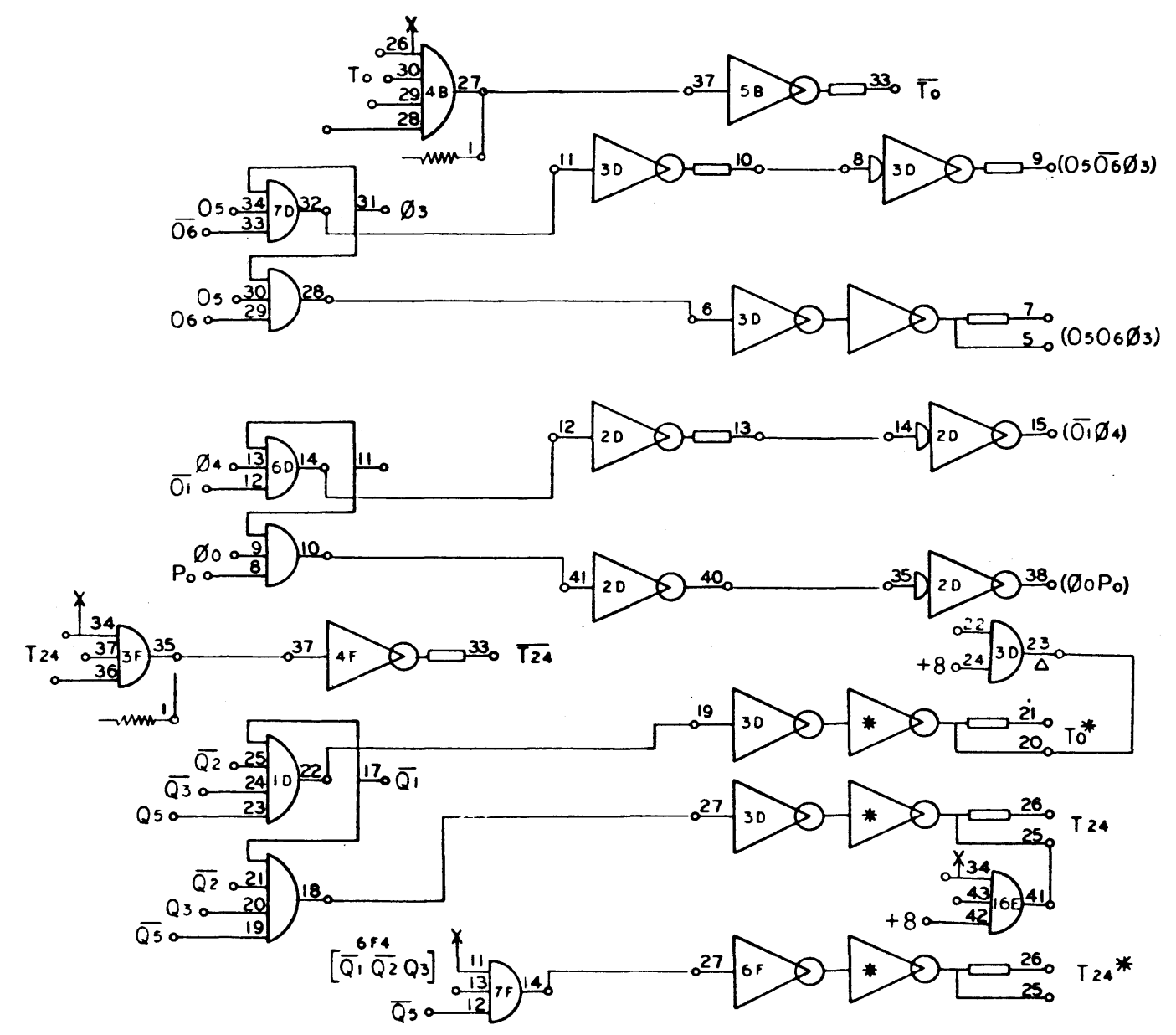


NO. REV.	DRAWING NO.	DESCRIPTION	REFERENCE DESIGNATION	ITEM NO.
MATERIAL LIST				
NOTES UNLESS SPECIFIED		DRAWN	CHECK	DATE
1. TOLERANCES AS : 500 ANGULAR SEE : 510 0.1"				
2. BREAK ALL SHARP EDGES 5/8 APPROX		APPR		
3. HATCH SURFACES ✓				
4. ALL DIM. IN INCHES				
SDS SCIENTIFIC DATA SYSTEMS 1942 FIFTEENTH STREET, SANTA MONICA, CALIFORNIA				
TITLE DIAGRAM, LOGIC COMPUTER				
MODEL NO.	920	SIZE	DWG NO.	A
NEXT ASSY.			101701	
SCALE		DO NOT SCALE DRAWING		SHEET

101701 | A |



REVISIONS				101701	A
REV	DESCRIPTION	CHK	DATE	APPROVED	
A	RELEASED TO MFG				

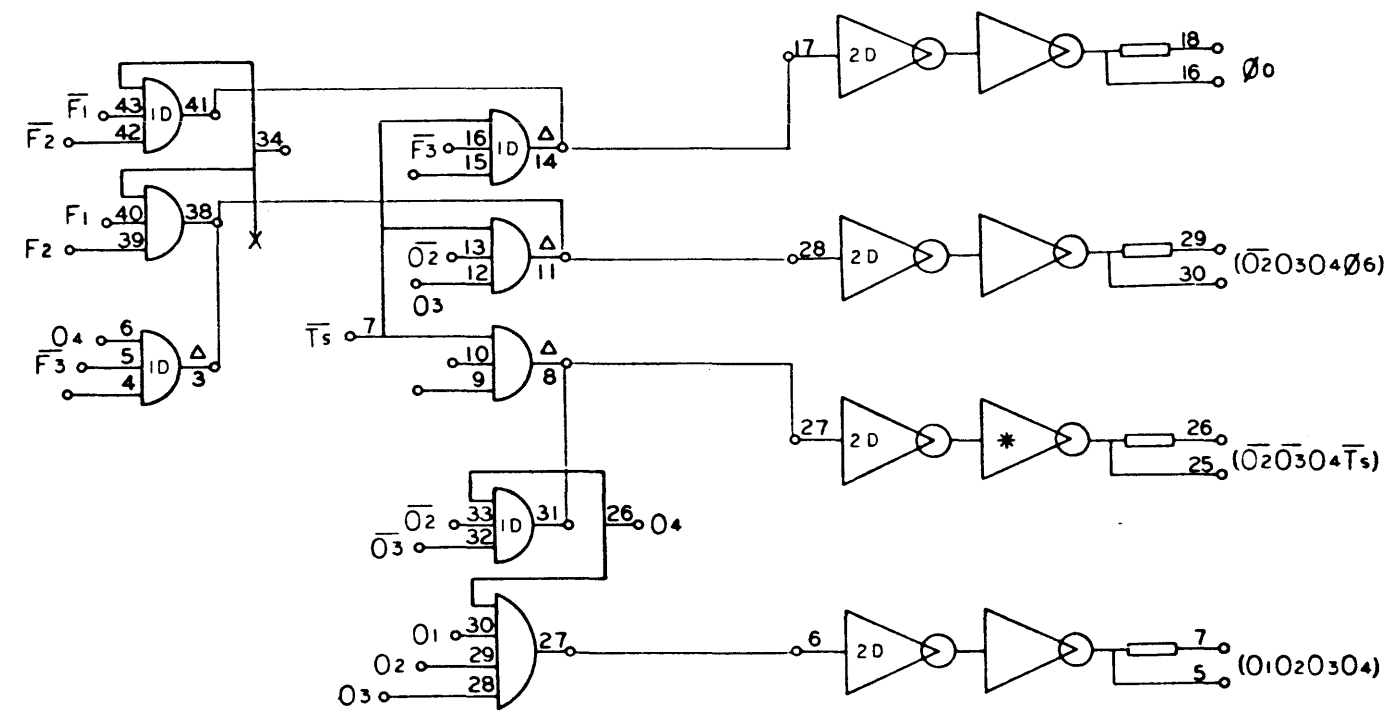


920  
Page 99

NO. REQ	DRAWING NO.	DESCRIPTION	REFERENCE DESIGNATION	ITEM NO.
MATERIAL LIST				
NOTES UNLESS SPECIFIED 1. TOLERANCES .XX ± 0.00 ANGULAR ± 15° .XXX ± 0.10 2. BREAK ALL SHARP EDGES .010 APPROX 3. MACH SURFACES ✓ 4. ALL DIM IN INCHES				
DRAWN		CHK	DATE	TITLE
APPR				SDS SCIENTIFIC DATA SYSTEMS 1545 FIFTEENTH STREET SANTA MONICA CALIFORNIA
DIAGRAM, LOGIC COMPUTER				
MODEL NO.	920	SIZE	DWS NO.	A
NEXT ASSY.			D 101701	
SCALE			DO NOT SCALE DRAWING	SHEET

101701A

REVISIONS				101701	A
REV	DESCRIPTION	CHK	DATE	APPROVED	
A	RELEASED TO MFG				

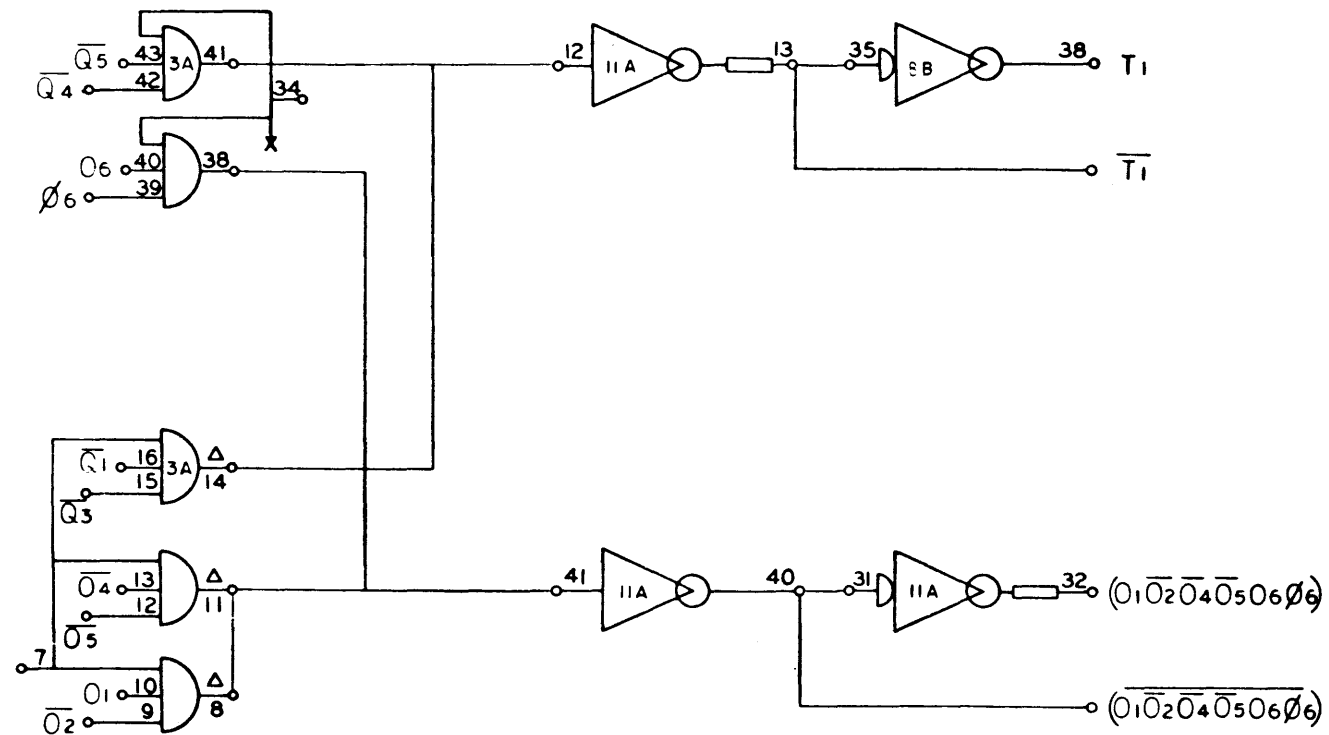


920  
Page 100

101701 | A |

NO. REG.	DRAWING NO.	DESCRIPTION	REFERENCE DESIGNATION	ITEM NO.
MATERIAL LIST				
NOTES UNLESS SPECIFIED		DRAWN	<b>SDS</b> SCIENTIFIC DATA SYSTEMS 1542 FIFTEENTH STREET SANTA MONICA, CALIFORNIA	
1. TOLERANCES XX 1.000 ANGULAR XXX 2.000 2"±		CHECK		
2. BREAK ALL SHARP EDGES .010 APPROX		APPR	TITLE <b>DIAGRAM, LOGIC            COMPUTER</b>	
3. MACH. SURFACES ✓ 4. ALL DIM. IN INCHES				
MODEL NO. 920			SIZE D	DWG NO. 101701
NEXT ASSY.				A
SCALE			DO NOT SCALE DRAWING	SHEET

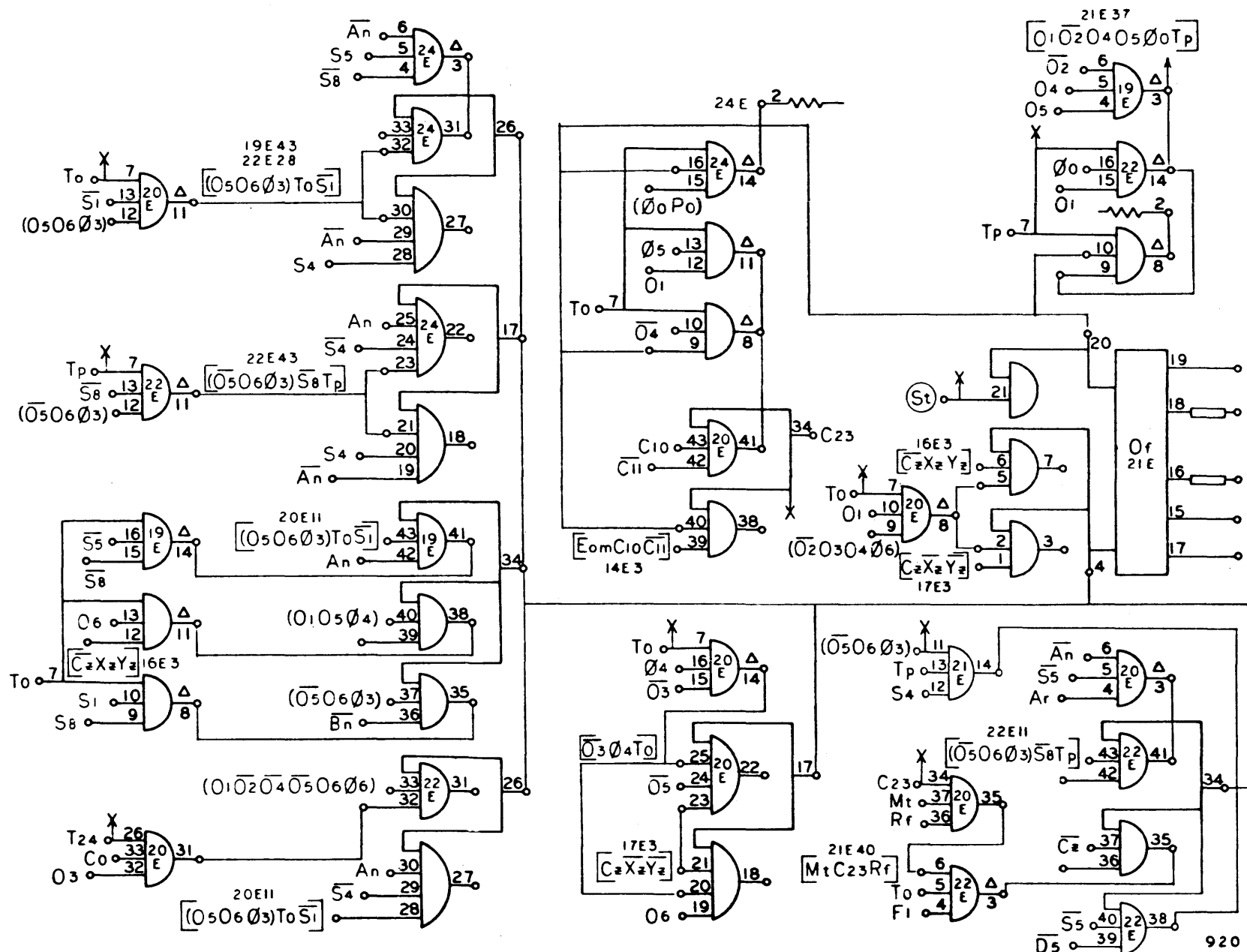
REVISIONS				101701	G
REV	DESCRIPTION	CHK	DATE	APPROVED	
A	RELEASED TO MFG				
G	SEE REVISION E.O.				



920  
Page 101  
G

NO. REQ.	DRAWING NO.	DESCRIPTION	REFERENCE DESIGNATION	ITEM NO.
MATERIAL LIST				
NOTES UNLESS SPECIFIED		DRAWN	K. KEIFERT 11-6-63	
1. TOLERANCES XX ± .000 ANGULAR XXX ± .010 2 1/2°		CHECK	11/13/63	
2. BREAK ALL SHARP EDGES 3/16 APPROX.		APP'D	11/13/63	
3. MACH. SURFACES ✓				
4. ALL DIM. IN INCHES				
MODEL NO. 920		 1542 FIFTEENTH STREET SANTA MONICA, CALIFORNIA		
NEXT ASSY.		TITLE <b>DIAGRAM, LOGIC COMPUTER</b>		
		SIZE	DWG NO.	ITEM NO.
		D	101701	G
		SCALE	DO NOT SCALE DRAWING	SHEET

REVISIONS			101701		B
REV	DESCRIPTION	CHK	DATE	APPROVED	
A	RELEASED TO MFG				
B	SEE REV. E.O.				

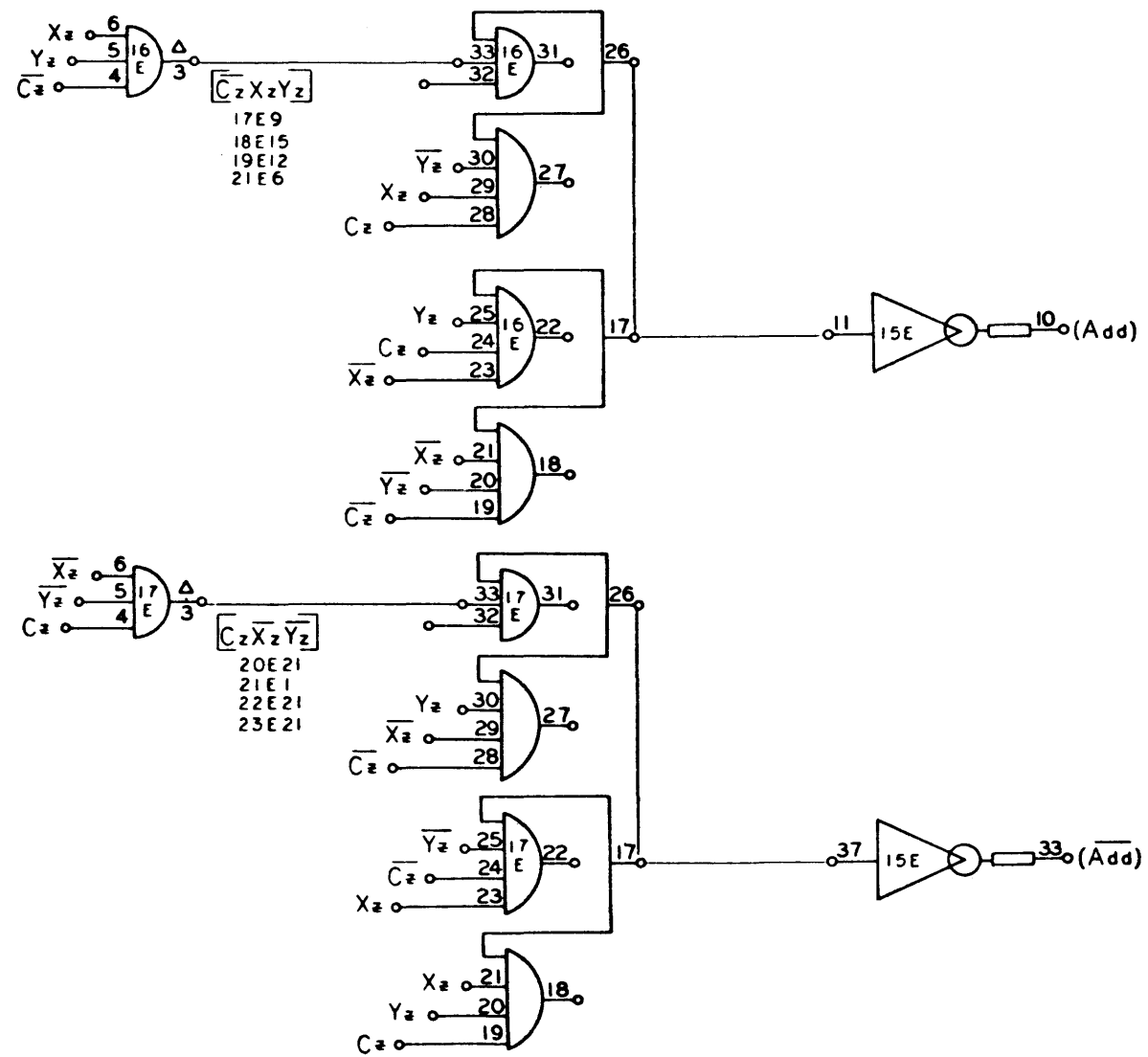


920  
Page 102  
B

101701 B

NO. REQ.	DRAWING NO.	DESCRIPTION	REFERENCE DESIGNATION	ITEM NO.
NOTES UNLESS SPECIFIED				
1. TOLERANCES XX ± 0.00 ANGULAR ± 1° XXX ± 0.00				
2. BREAK ALL SHARP EDGES 0.10 APPROX				
3. BACK SURFACES ✓				
4. ALL DIM. IN INCHES				
DRAWN		MATERIAL LIST		
CHECK		SDS SCIENTIFIC DATA SYSTEMS 1542 FIFTEENTH STREET SANTA MONICA CALIFORNIA		
APPR		TITLE DIAGRAM, LOGIC COMPUTER		
MODEL NO. 920		SIZE D		DWG NO. 101701
NEXT ASSY.		SCALE		SHEET B
		DO NOT SCALE DRAWING		

REVISIONS				101701	A
REV	DESCRIPTION	CHK	DATE	APPROVED	
A	RELEASED TO MFG				



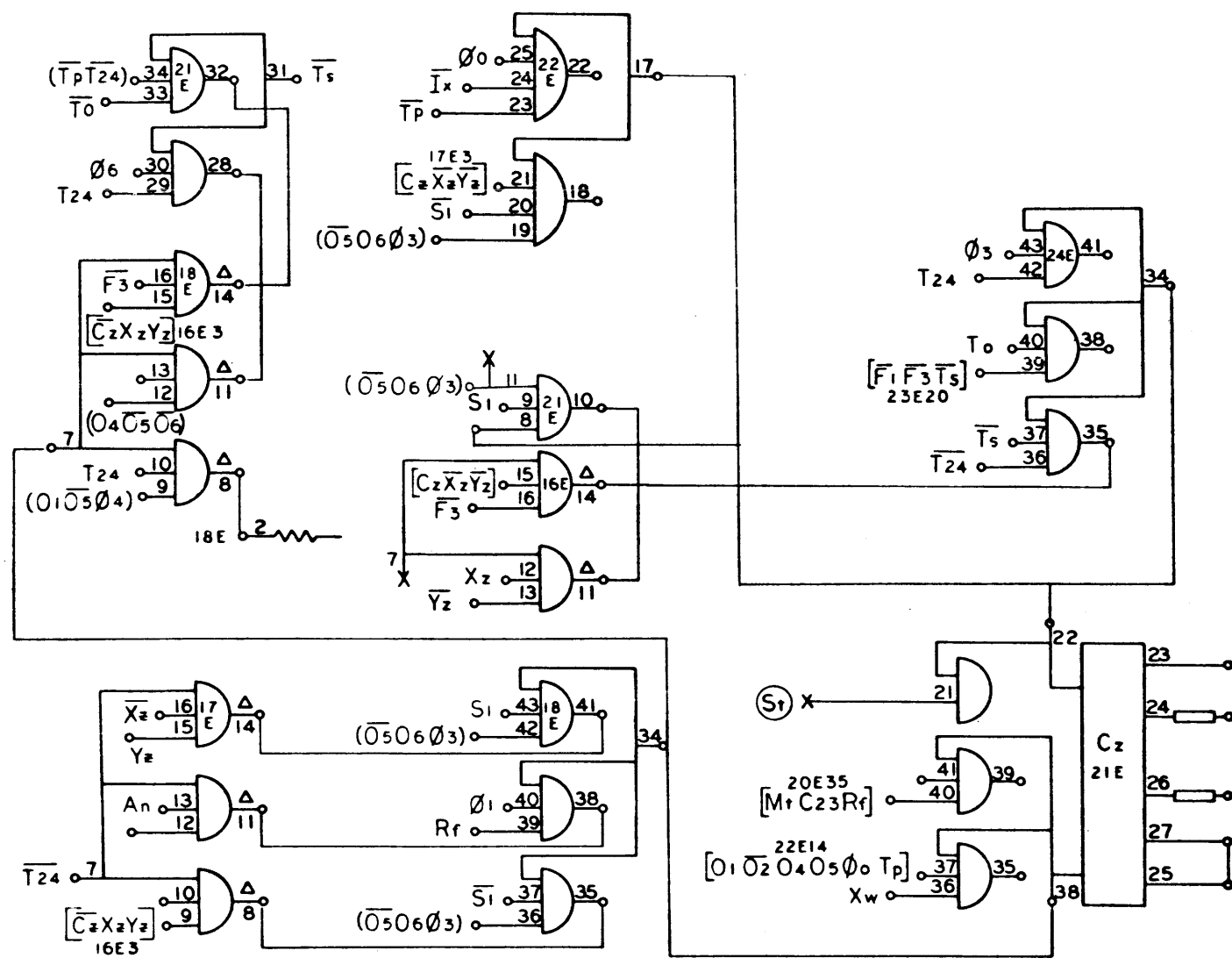
920  
Page 103

NO. REQ	DRAWING NO.	DESCRIPTION	REFERENCE DESIGNATION	ITEM NO.
MATERIAL LIST				
NOTES UNLESS SPECIFIED		<b>SDS</b> SCIENTIFIC DATA SYSTEMS 1842 FIFTEENTH STREET, SANTA MONICA, CALIFORNIA		
1. TOLERANCES .XX ± .000 ANNU-LAR .XX ± .010 ± 1/2" 2. BREAK ALL SHARP EDGES .010 APPROX 3. MACH SURFACES ✓ 4. ALL DIMS IN INCHES		TITLE <b>DIAGRAM, LOGIC          COMPUTER</b>		
MODEL NO. 920		SIZE DWS NO. D 101701		A
NEXT ASSY.		SCALE DO NOT SCALE DRAWING		SHEET

101701A1



REVISIONS				101701	
REV	DESCRIPTION	CHR	DATE	APPROVED	
A	RELEASED TO MFG				
B	SEE REV. E.O.				

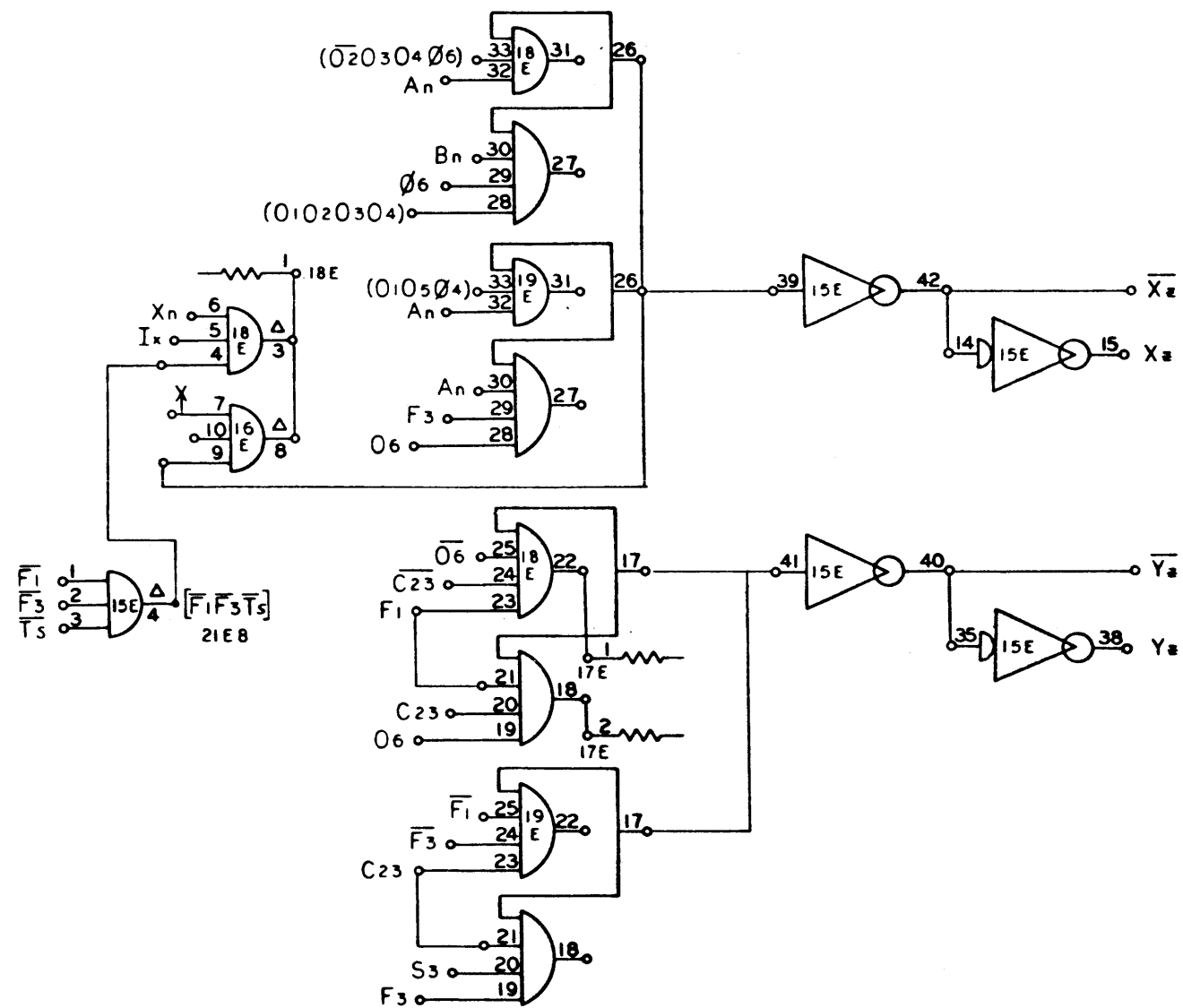


920  
Page 104  
B

101701 B

NO. REV.	DRAWING NO.	DESCRIPTION	REFERENCE DESIGNATION	ITEM NO.
MATERIAL LIST				
NOTES UNLESS SPECIFIED		DRAWN	DATE	
1. TOLERANCES XX ±.010 ANGLUAR SEE 2.910 ±15°		CHECK	11/2/67	
2. BREAK ALL SHARP EDGES .010 RADIUS		APPR.	11/12/67	
3. HATCH SURFACES				
4. ALL DIM. IN INCHES				
MODEL NO. 920		TITLE DIAGRAM, LOGIC COMPUTER		
NEXT ASSY.		SIZE D	DWG NO. 101701	B
SCALE		DO NOT SCALE DRAWING		SHEET

REVISIONS				101701	A
REV.	DESCRIPTION	CHK.	DATE	APPROVED	
A	RELEASED TO MFG		1/3		

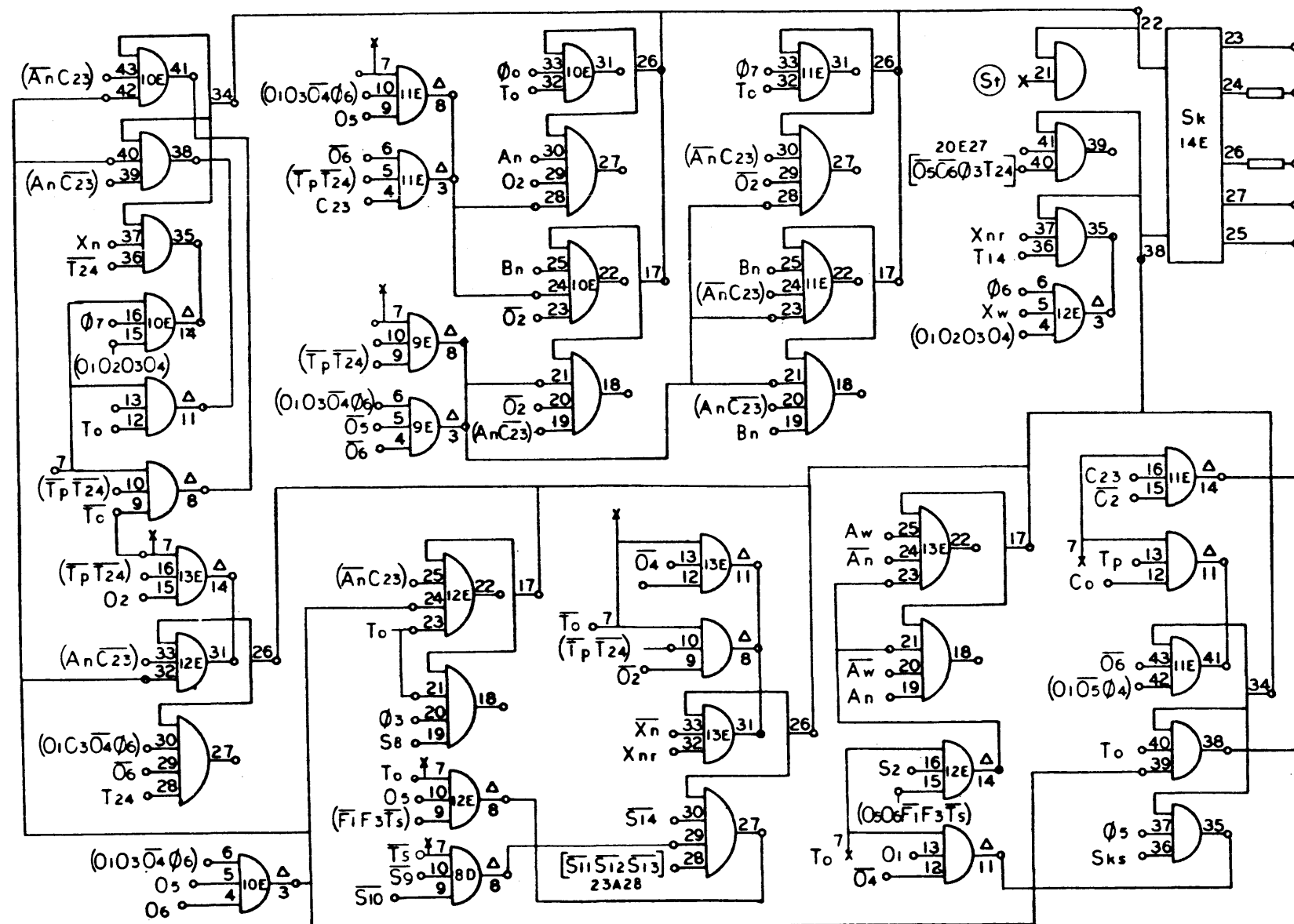


920  
Page 105

NO. REV.	DRAWING NO.	DESCRIPTION	REFERENCE DESIGNATION	ITEM NO.
MATERIAL LIST				
NOTES UNLESS SPECIFIED 1. TOLERANCES .32 ± .000 ANGULAR .010 ± .000 .010 ± .000 2. BREAK ALL SHARP EDGES 3.10 APPROX 3. BACK SURFACES 4. ALL DIM. IN INCHES				
DRAWN		CHECK	<b>SDS</b> SCIENTIFIC DATA SYSTEMS 1942 FIFTEENTH STREET SANTA MONICA, CALIFORNIA	
APPR.		TITLE <b>DIAGRAM, LOGIC COMPUTER</b>		
MODEL NO.		DWS NO.		ITEM NO.
920		D 101701		A
NEXT ASSY.		SCALE		SHEET
		DO NOT SCALE DRAWING		

101701 A

REVISIONS				101701	A
REV.	DESCRIPTION	CHK.	DATE	APPROVED	
A	RELEASED TO MFG		1/3		

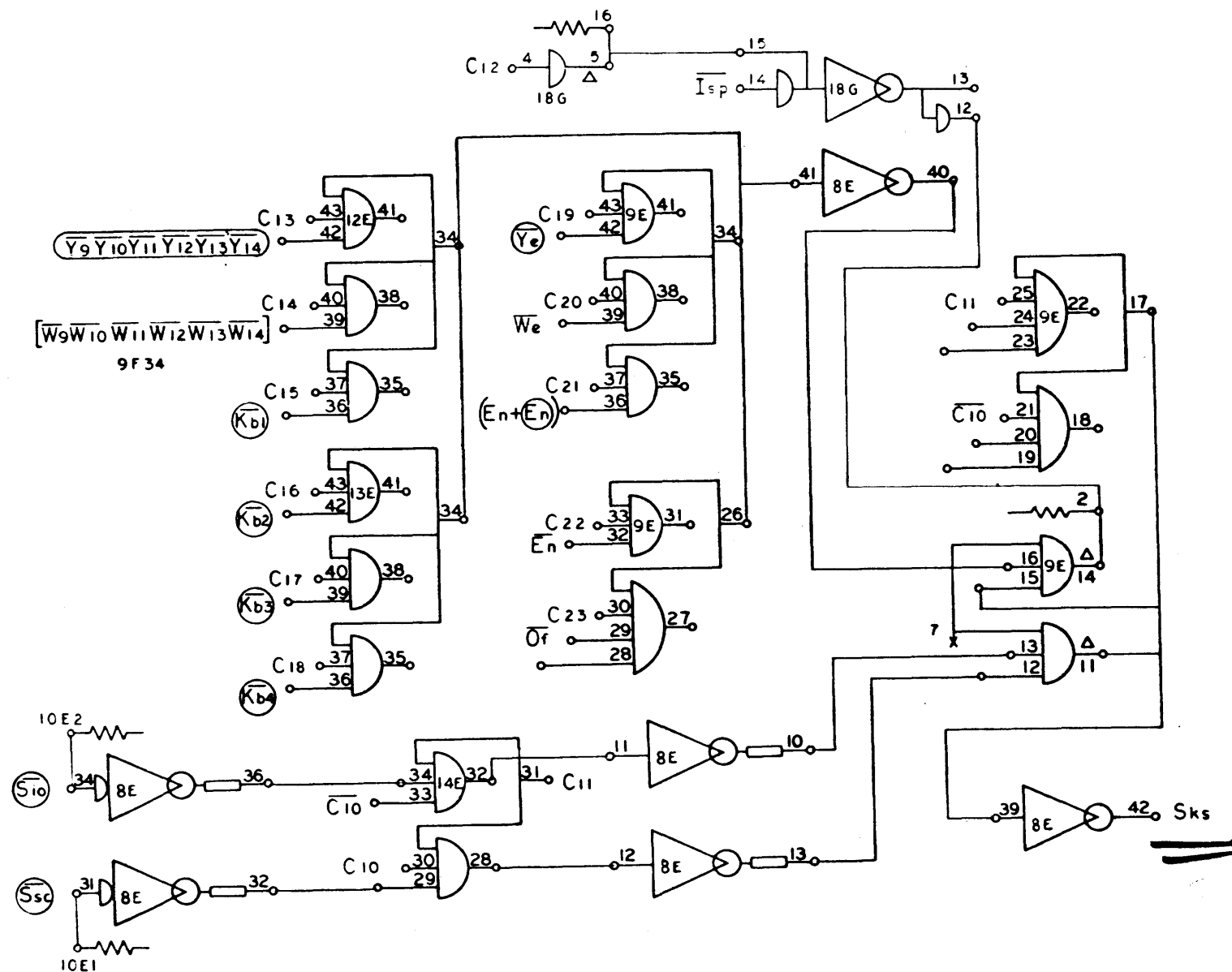


920  
Page 106

101701 A

NO. REQ.	DRAWING NO.	DESCRIPTION	REFERENCE DESIGNATION	ITEM NO.
MATERIAL LIST				
NOTES UNLESS SPECIFIED 1. TOLERANCES .33 ± .000 ANGULAR .015 ± .001 2. BREAK ALL SHARP EDGES .015 APPROX. 3. HATCH SURFACES ✓ 4. ALL DIM. IN INCHES				
DRAWN: [Signature] CHECK: [Signature] APPR: [Signature]		<b>SDS</b> SCIENTIFIC DATA SYSTEMS 1542 FIFTEENTH STREET SANTA MONICA CALIFORNIA		
MODEL NO. 920 NEXT ADPT.		TITLE <b>DIAGRAM, LOGIC COMPUTER</b>		
		SIZE D DWG. NO. 101701	A	
		SCALE	DO NOT SCALE DRAWING	SHEET

REVISIONS		101701	
REV.	DESCRIPTION	CHK.	DATE
A	RELEASED TO MFG		
F	SEE REV E.O.		

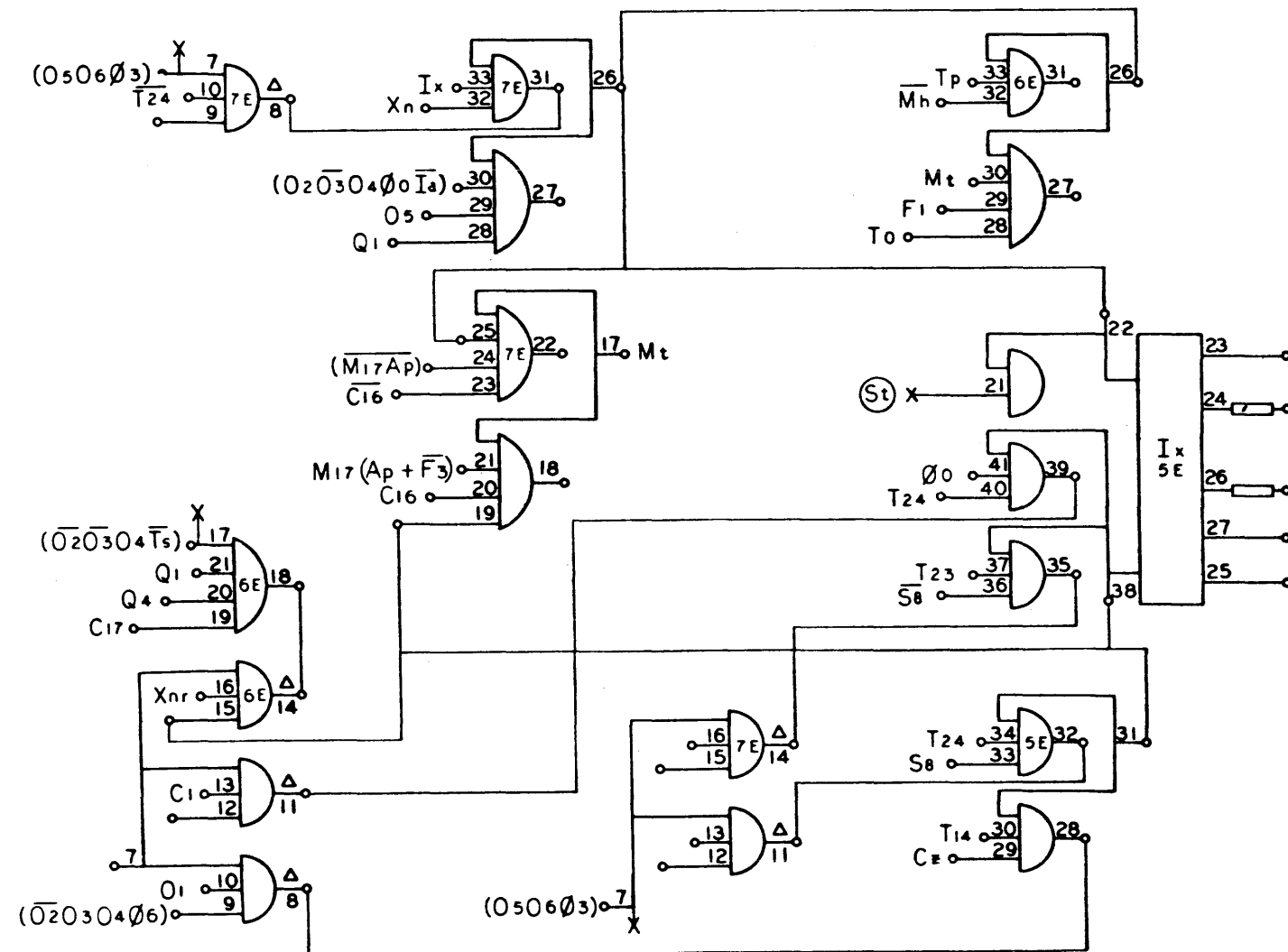


920  
Page 107  
F

NO. REV.	DRAWING NO.	DESCRIPTION	REFERENCE DESIGNATION	ITEM NO.
MATERIAL LIST				
NOTES UNLESS SPECIFIED		DRAWN	CHECK	
1. TOLERANCES XX ± 0.005 ANGULAR XX ± 0.00		APPR.		
2. BREAK ALL SHARP EDGES 3.10 SPROCKETS				
3. BACK SURFACES ✓				
4. ALL DIMS IN INCHES				
		 1542 FIFTEENTH STREET SANTA MONICA CALIFORNIA		
		TITLE <b>DIAGRAM, LOGIC COMPUTER</b>		
MODEL NO.	920	SIZE	DWG NO.	F
NEXT ASSY.		SCALE	DO NOT SCALE DRAWING	SHEET

101701 F

REVISIONS			101701		A
REV.	DESCRIPTION	CHK.	DATE	APPROVED	
A	RELEASED TO MFG	<i>Ad</i>	11/13/62	<i>J. W. W.</i>	

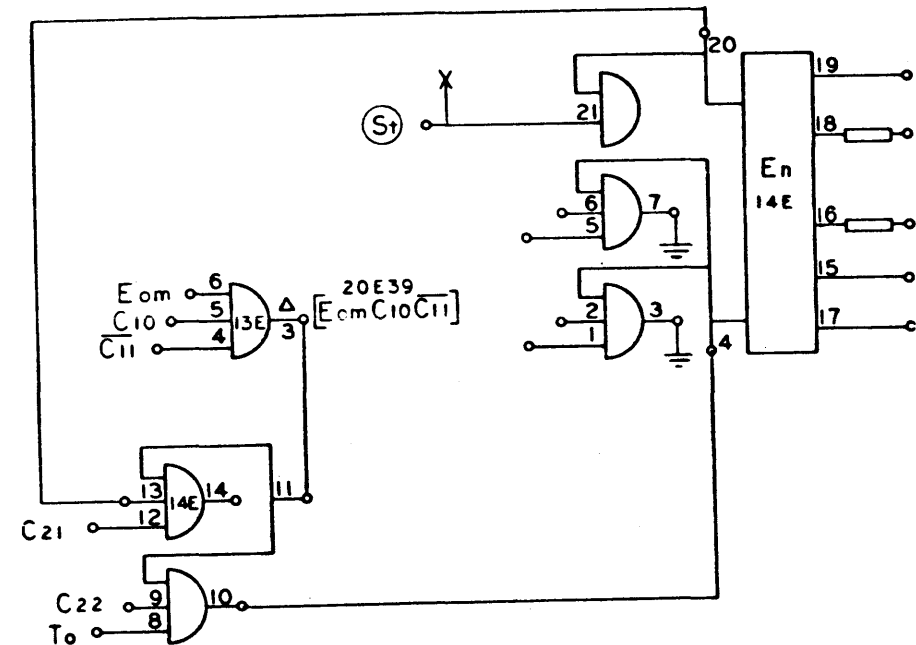


920  
Page 108

101701 | A |

NO. REV.	DRAWING NO.	DESCRIPTION	REFERENCE DESIGNATION	ITEM NO.
MATERIAL LIST				
NOTES UNLESS SPECIFIED		DRAWN	<b>SDS</b> SCIENTIFIC DATA SYSTEMS 1545 FIFTEENTH STREET SANTA MONICA, CALIFORNIA	
1. TOLERANCES XX 1.000 ANGULAR XXX 2.000 2.1°		CHECK		
2. BREAK ALL SHARP EDGES .010 APPROX		APPR.	TITLE <b>DIAGRAM, LOGIC COMPUTER</b>	
3. HATCH SURFACES ✓				
4. ALL DIM. IN INCHES				
MODEL NO.		SIZE		ITEM NO.
920		D		101701 A
NEXT ASSY.		SCALE		SHEET
		DO NOT SCALE DRAWING		

REVISIONS				
REV	DESCRIPTION	CHK	DATE	APPROVED
A	RELEASED TO MFG	SH	1/13	CMC

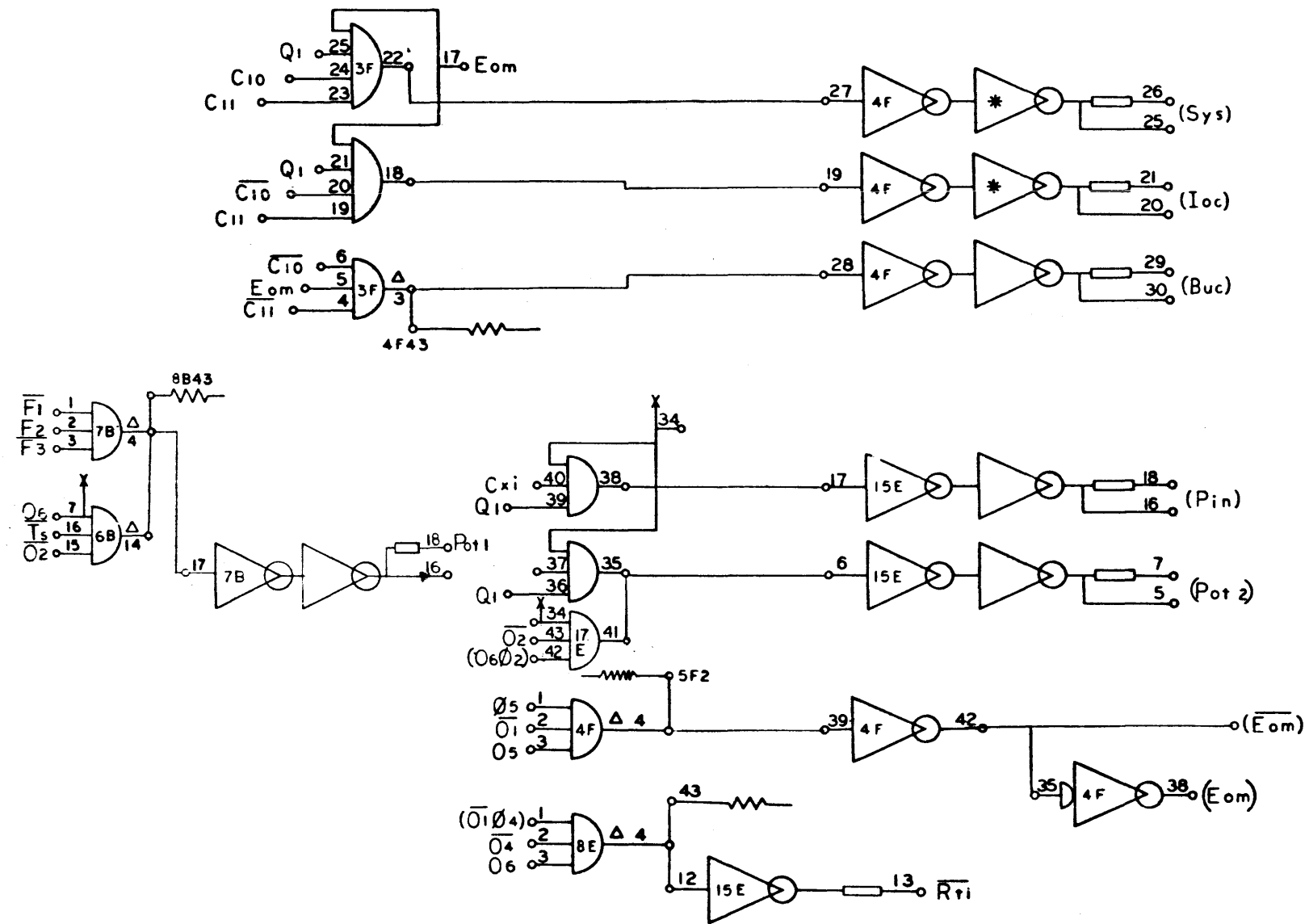


920  
Page 109

NO. REQ.	DRAWING NO.	DESCRIPTION	REFERENCE DESIGNATION	ITEM NO.
MATERIAL LIST				
NOTES UNLESS SPECIFIED		DRAWN	CHECK	DATE
1. TOLERANCES XX ± .000 ANGULAR ± 1° XX ± .010 2. BREAK ALL SHARP EDGES .010 APPROX. 3. HATCH SURFACES ✓ 4. ALL DIM. IN INCHES		SH	SH	1/13/67
		APPR	CMC	1/14/67
		<b>SDS</b> SCIENTIFIC DATA SYSTEMS 1545 FIFTEENTH STREET SANTA MONICA CALIFORNIA		
		TITLE <b>DIAGRAM, LOGIC COMPUTER</b>		
MODEL NO. 920		SIZE D	DWG NO. 101701	ITEM NO. A
NEXT ASSY.		SCALE		DO NOT SCALE DRAWING SHEET

101701 | A |

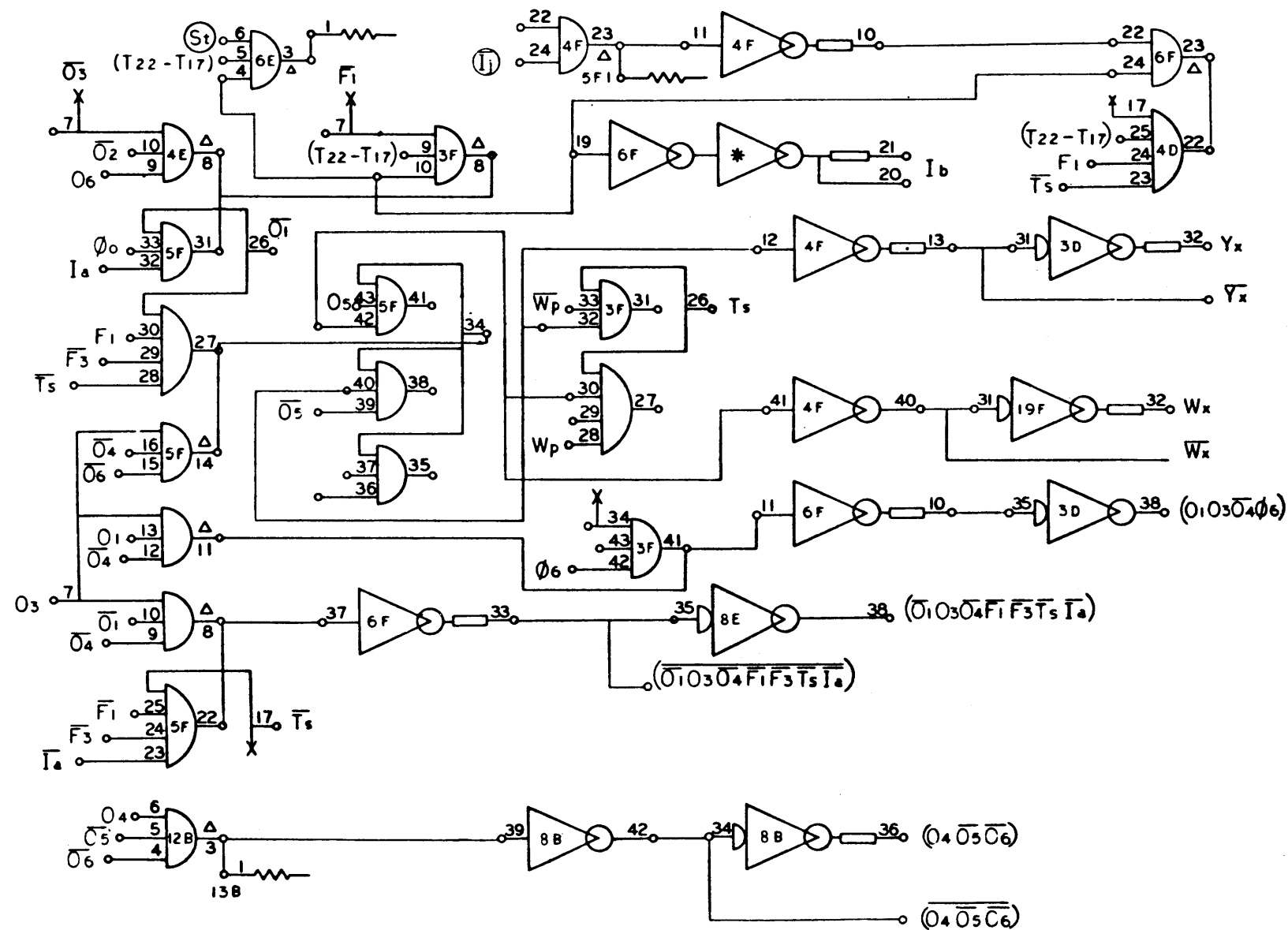
REVISIONS				101701	
REV	DESCRIPTION	CHK	DATE	APPROVED	
A	RELEASED TO MFG				
F	SEE REV E.O.				
J	SEE REV E.O.				



NO. REV.	DRAWING NO.	DESCRIPTION	REFERENCE DESIGNATION	ITEM NO.
MATERIAL LIST				
NOTES UNLESS SPECIFIED		DRAWN	CHECK	APPR.
1. TOLERANCES XX 0.030 ANGULAR XXX 0.010 2.5°				
2. BREAK ALL SHARP EDGES 0.10 APPROX.				
3. BACK SURFACES ✓				
4. ALL DIM. IN INCHES				
MODEL NO. 920		SDS SCIENTIFIC DATA SYSTEMS 1542 FIFTEENTH STREET SANTA MONICA, CALIFORNIA		TITLE
NEXT ASSY.		DIAGRAM, LOGIC COMPUTER		
		SIZE D	DWG. NO. 101701	J
		SCALE	DO NOT SCALE DRAWING	SHEET

101701 J

REV		DESCRIPTION		REVISIONS		101701	A
A		RELEASED TO MFG		CHK	DATE	APPROVED	

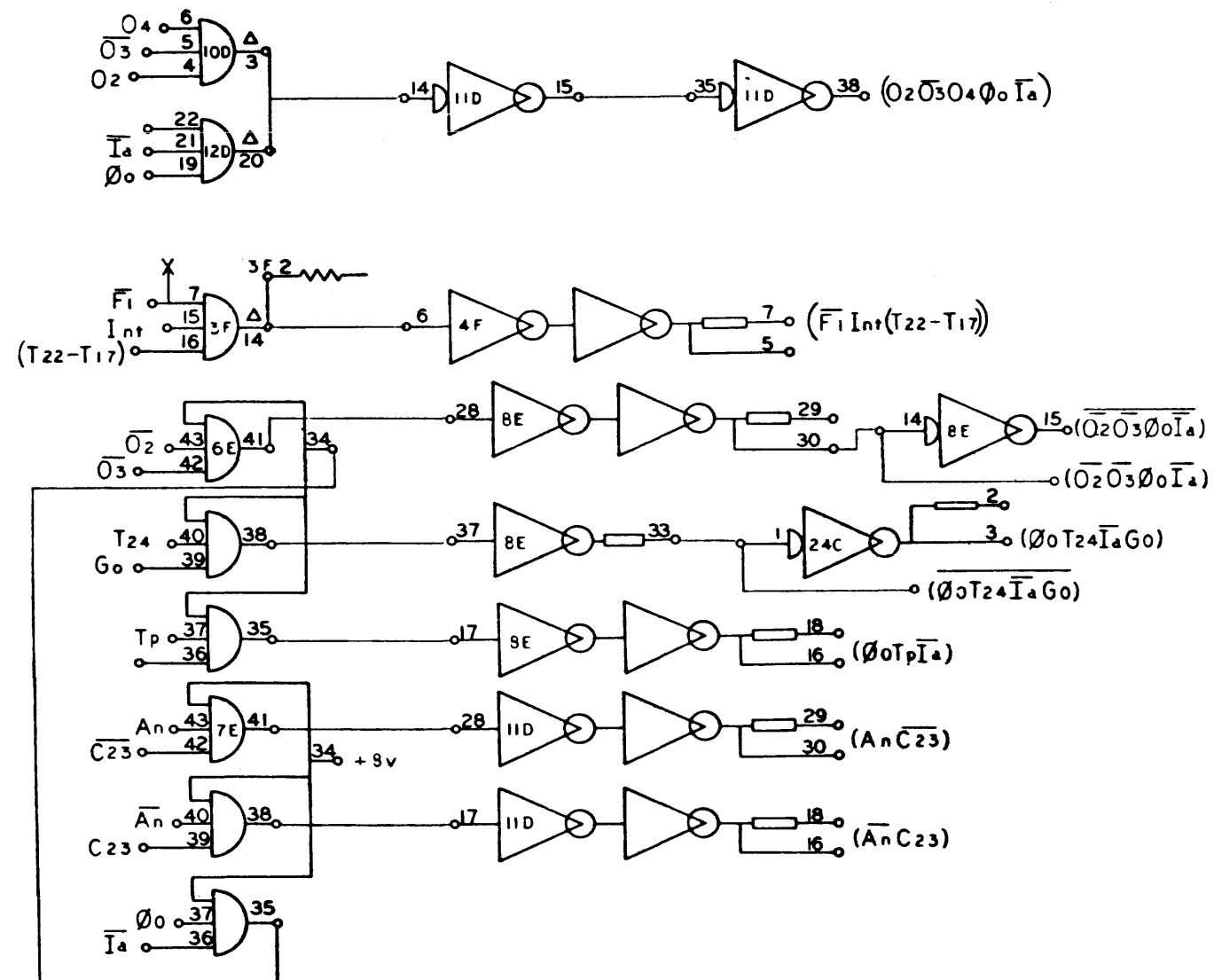


920  
Page !!!

NO. REV.	DRAWING NO.	DESCRIPTION	REFERENCE DESIGNATION	ITEM NO.
MATERIAL LIST				
NOTES UNLESS SPECIFIED		DRAWN	CHECK	DATE
1. TOLERANCES XX ± 0.00 ANGLULAR XXX ± 0.01 ± 1/2°		APPR		
2. BREAK ALL SHARP EDGES 2/16 APPROX				
3. HATCH SURFACES ✓				
4. ALL DIM. IN INCHES				
MODEL NO. 920		SDS SCIENTIFIC DATA SYSTEMS 1522 FIFTEENTH STREET SANTA MONICA, CALIFORNIA		TITLE
NEXT ASSY.		DIAGRAM, LOGIC COMPUTER		
		SIZE	DWG NO.	
		D	101701	A
		SCALE	DO NOT SCALE DRAWING	SHEET



REV		DESCRIPTION		REVISIONS		101701		A	
REV	DESCRIPTION	CHK	DATE	APPROVED	CHK	DATE	APPROVED	REV	DESCRIPTION
A	RELEASED TO MFG		1/13						

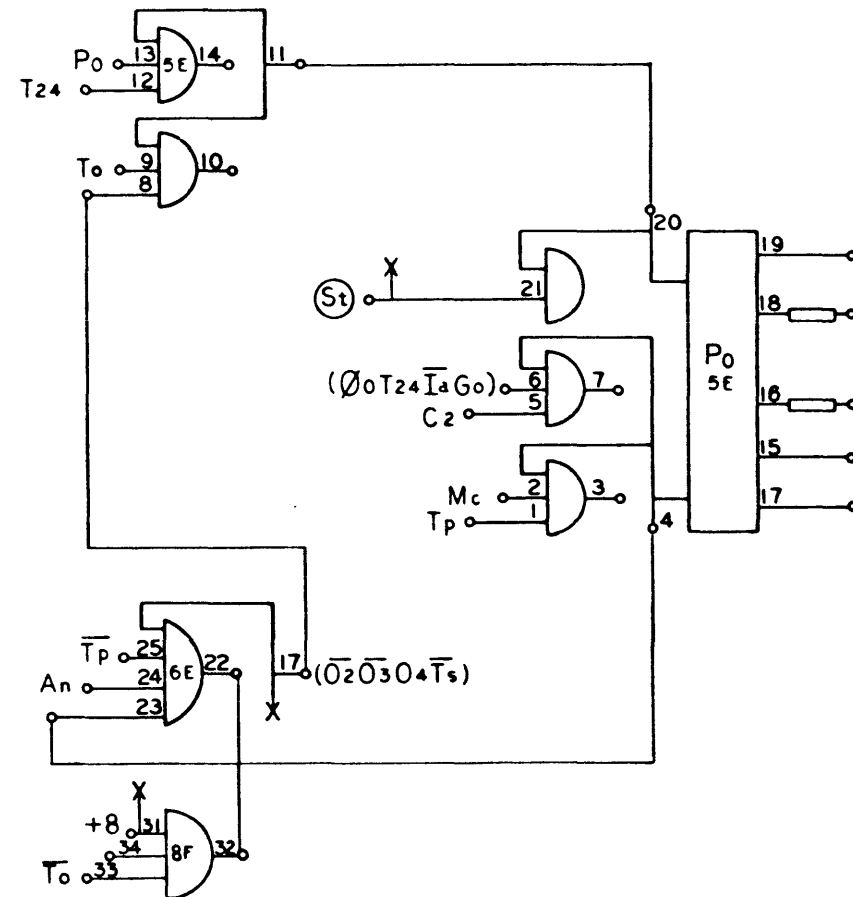


920  
Page 112

NO. REQ.	DRAWING NO.	DESCRIPTION	REFERENCE DESIGNATION	ITEM NO.
MATERIAL LIST				
NOTES UNLESS SPECIFIED 1. TOLERANCES .XX ± .000 ANGULAR .XXX ± .010 2. BREAK ALL SHARP EDGES 0.10 APPROX. 3. HATCH SURFACES 4. ALL DIMS IN INCHES				
DRAWN		CHECK	<b>SDS</b> SCIENTIFIC DATA SYSTEMS 1545 FIFTEENTH STREET SANTA MONICA CALIFORNIA	
APPR		TITLE		
		DIAGRAM, LOGIC COMPUTER		
MODEL NO.		SIZE		DWG NO.
920		D		101701
NEXT ASSY.		SCALE		SHEET
		DO NOT SCALE DRAWING		A

101701 | A |

REVISIONS				101701	A
REV	DESCRIPTION	CHK	DATE	APPROVED	
A	RELEASED TO MFG				



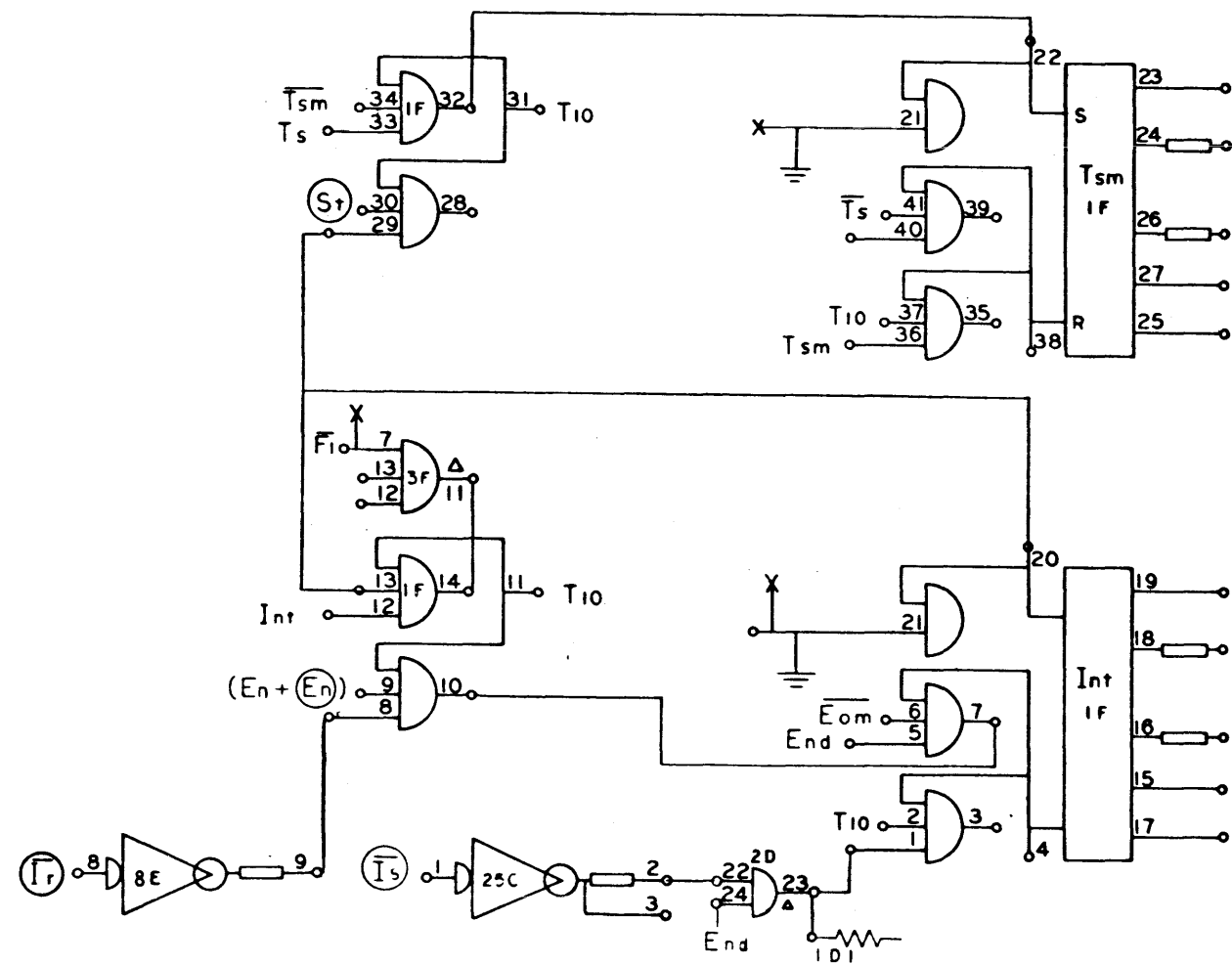
920  
Page 113

NO. REV	DRAWING NO.	DESCRIPTION	REFERENCE DESIGNATION	ITEM NO.
MATERIAL LIST				
NOTES UNLESS SPECIFIED				
1. TOLERANCES	XX ± 0.00	ANGULAR	2 1/2°	
2. BREAK ALL SHARP EDGES	0.05 APPROX			
3. BACH SURFACES	✓			
4. ALL DIM. IN INCHES				
MODEL NO.		DRAWING NO.		
920		D 101701		A
NEXT ASSY.		SCALE		DO NOT SCALE DRAWING SHEET

**SDS** SCIENTIFIC DATA SYSTEMS  
1342 FIFTEENTH STREET SANTA MONICA CALIFORNIA

DIAGRAM, LOGIC  
COMPUTER

REVISIONS				101701	
REV	DESCRIPTION	CHK	DATE	APPROVED	
A	RELEASED TO MFG				
F	SEE REV E.O.				

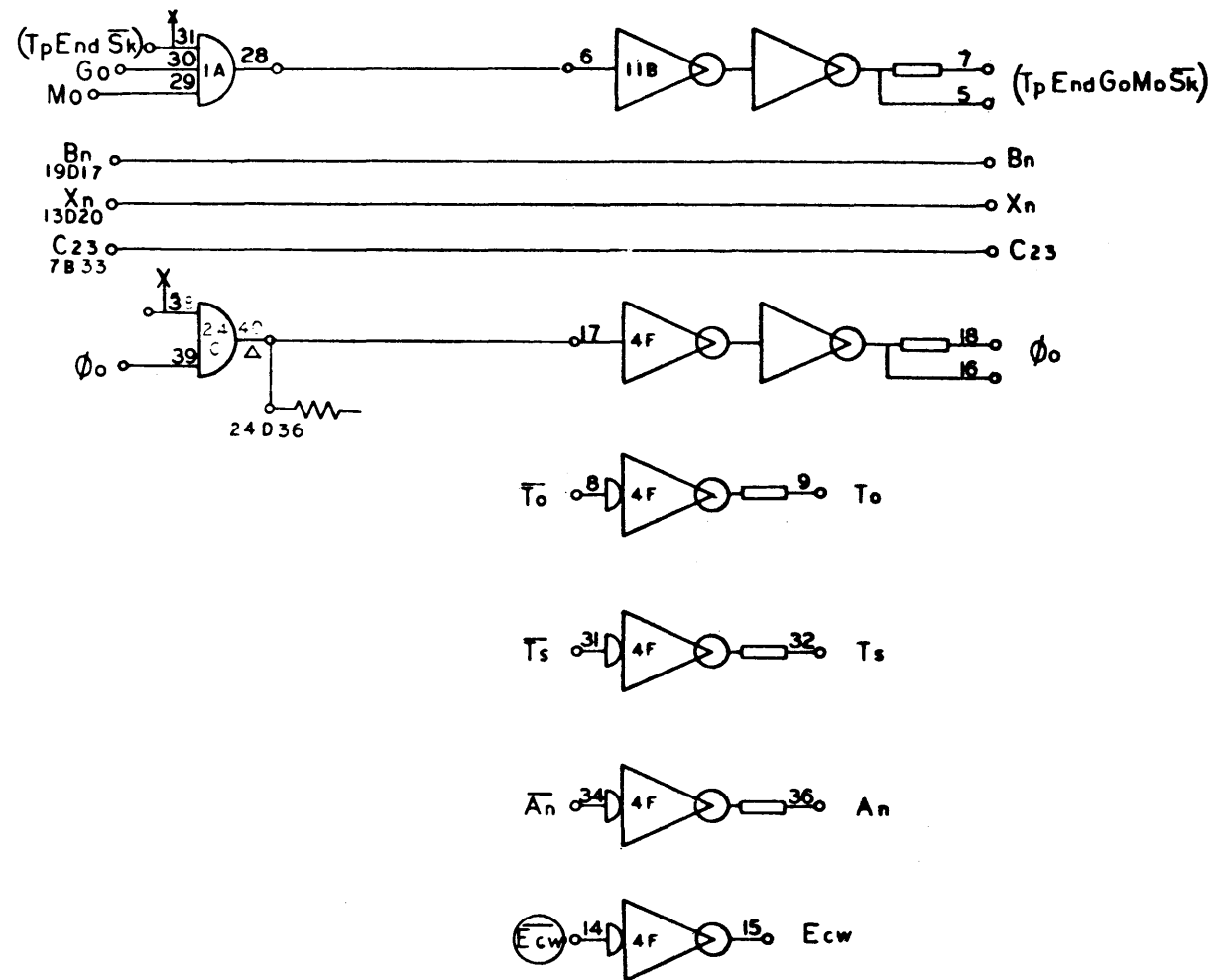


920  
Page 114  
F

NO. REQ.	DRAWING NO.	DESCRIPTION	REFERENCE DESIGNATION	ITEM NO.
MATERIAL LIST				
NOTES UNLESS SPECIFIED		DRAWN	CHECK	DATE
1. TOLERANCES XX ± 0.00 ANGULAR XXX ± 0.00 2.14		APPR		
2. BREAK ALL SHARP EDGES Ø10 APPROX				
3. MACH. SURFACES ✓				
4. ALL DIM. IN INCHES				
MODEL NO. 920		 1545 FIFTEENTH STREET SANTA MONICA CALIFORNIA		
NEXT ASST.		TITLE <b>DIAGRAM, LOGIC COMPUTER</b>		
		SIZE	DWG. NO.	
		D	101701	
		SCALE	DO NOT SCALE DRAWING	SHEET

101701 | F

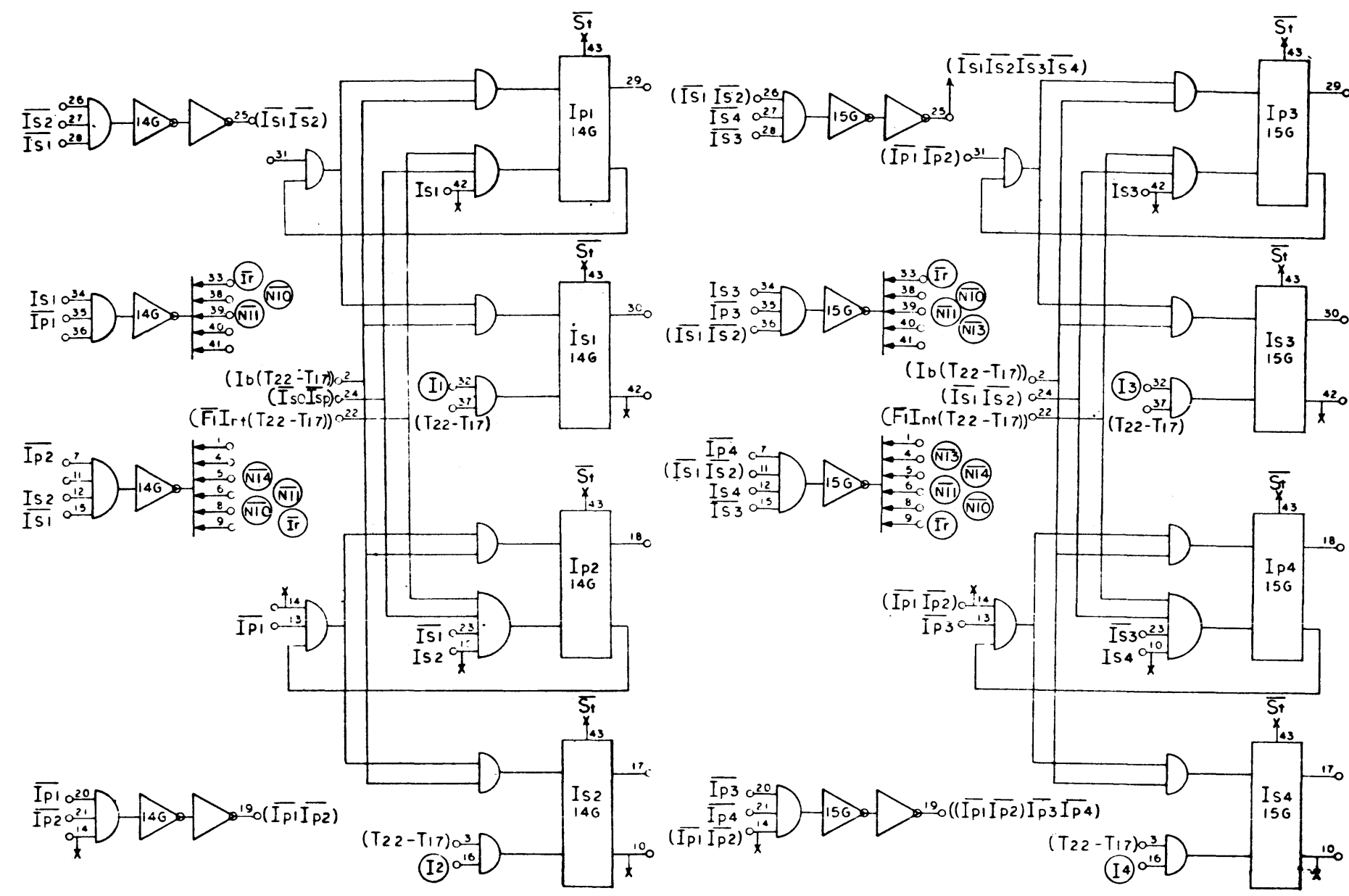
REVISIONS				101701	F
REV	DESCRIPTION	CHE	DATE	APPROVED	
A	RELEASED TO MFG		1/13		
D	SEE REV E.O.		7-5		
F	SEE REV E.O.		1-8		20-4



920  
Page 115  
F

NO. REV.	DRAWING NO.	DESCRIPTION	REFERENCE DESIGNATION	ITEM NO.
MATERIAL LIST				
NOTES UNLESS SPECIFIED		DRAWN	CHECK	APPR
1. TOLERANCES 2. DIM. ± .000 ANGLULAR 3. DIM. ± .010 ± .1° 4. BREAK ALL SHARP EDGES 5. DIM APPROX 6. HATCH SURFACES 7. ALL DIM. IN INCHES			<i>D. W.</i>	<i>1/13/68</i>
			<i>J. M. M.</i>	<i>1/13/68</i>
		 1525 FIFTEENTH STREET SANTA MONICA, CALIFORNIA		
		TITLE		
		DIAGRAM, LOGIC COMPUTER		
MODEL NO.	920	SIZE	DWS NO.	F
NEXT ASSY.		D	101701	
		SCALE	DO NOT SCALE DRAWING	SHEET

REV		DESCRIPTION	CHK DATE	APPROVED
A		RELEASED TO MFG		
G		SEE REVISION E.O.		

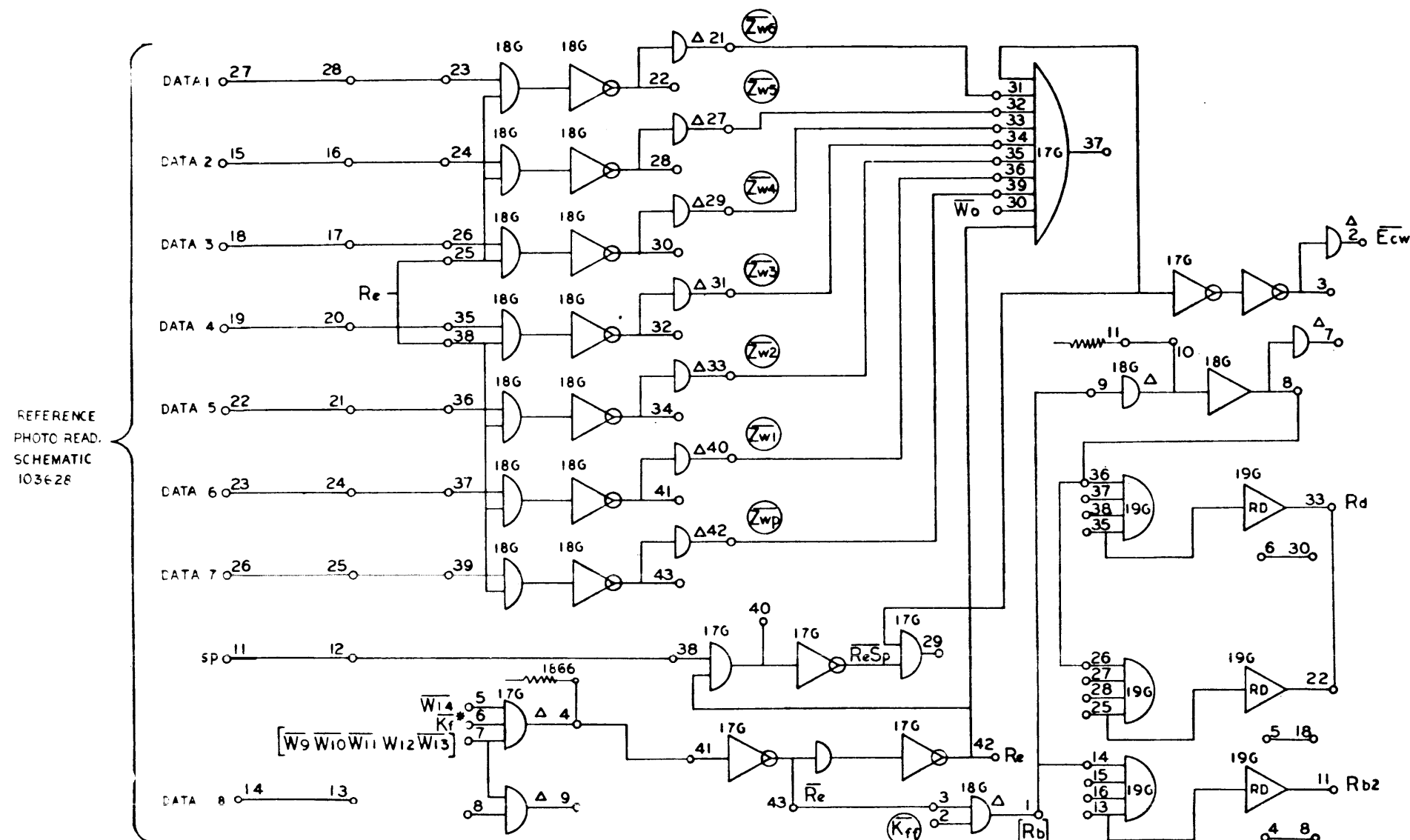


910-920  
Priority Interrupt  
PAGE 116  
G

101701 G

NO. REV	DRAWING NO.	DESCRIPTION	REFERENCE DESIGNATION	ITEM NO.
MATERIAL LIST				
NOTES UNLESS SPECIFIED 1. TOLERANCES .XX ± .030 ANGULAR ± 1/2° .XX ± .010 2. BREAK ALL SHARP EDGES 0.04 APPROX 3. MACH. SURFACES ✓ 4. ALL DIM. IN INCHES				
MODEL NO. <b>920</b>		TITLE <b>DIAGRAM, LOGIC COMPUTER</b>		
NEXT ASSY.		SIZE DWG. NO. <b>D 101701</b>		
SCALE		DO NOT SCALE DRAWING		SHEET

REVISIONS			
REV	DESCRIPTION	CHK	DATE
A	RELEASED TO MFG		
F	SEE REV. E.O.		
K	SEE REV. E.O.		



REFERENCE  
PHOTO READ.  
SCHEMATIC  
103628

Photocell 17G10 - Par  
Reference  
Reader Relay 19G40  
Drive Common COMMON

$$E_{cw} = \overline{Zw1} \overline{Zw2} \overline{Zw3} \overline{Zw4} \overline{Zw5} \overline{Zw6} \overline{Zwp} \overline{Wo} Re + (ReSp)$$

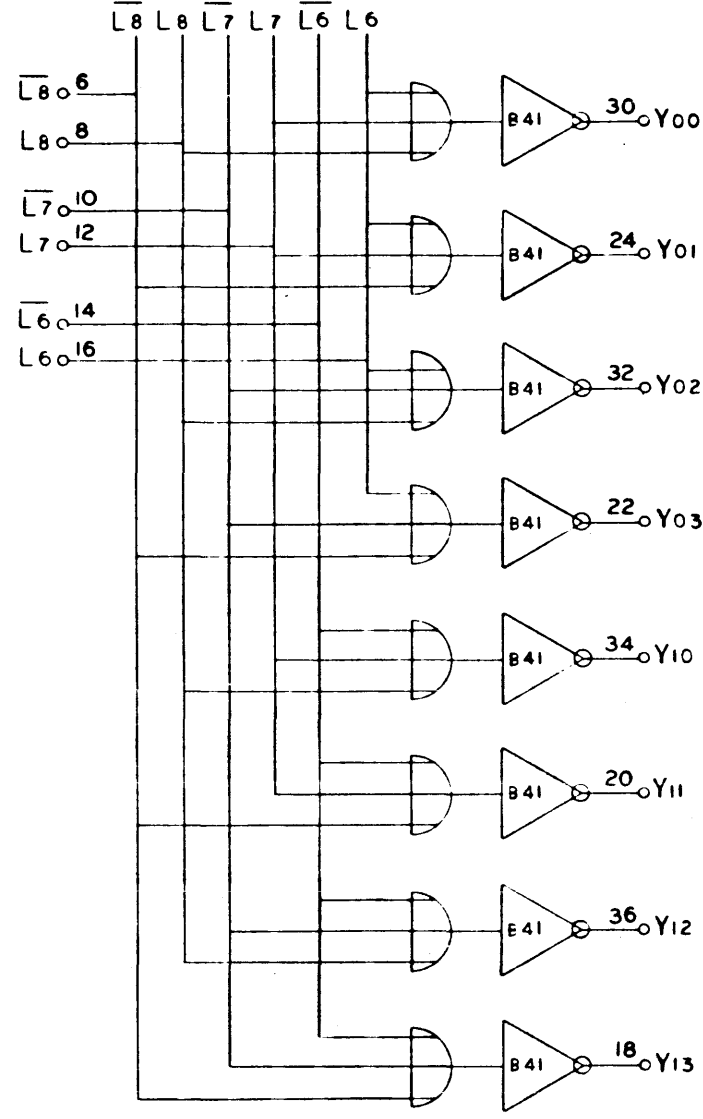
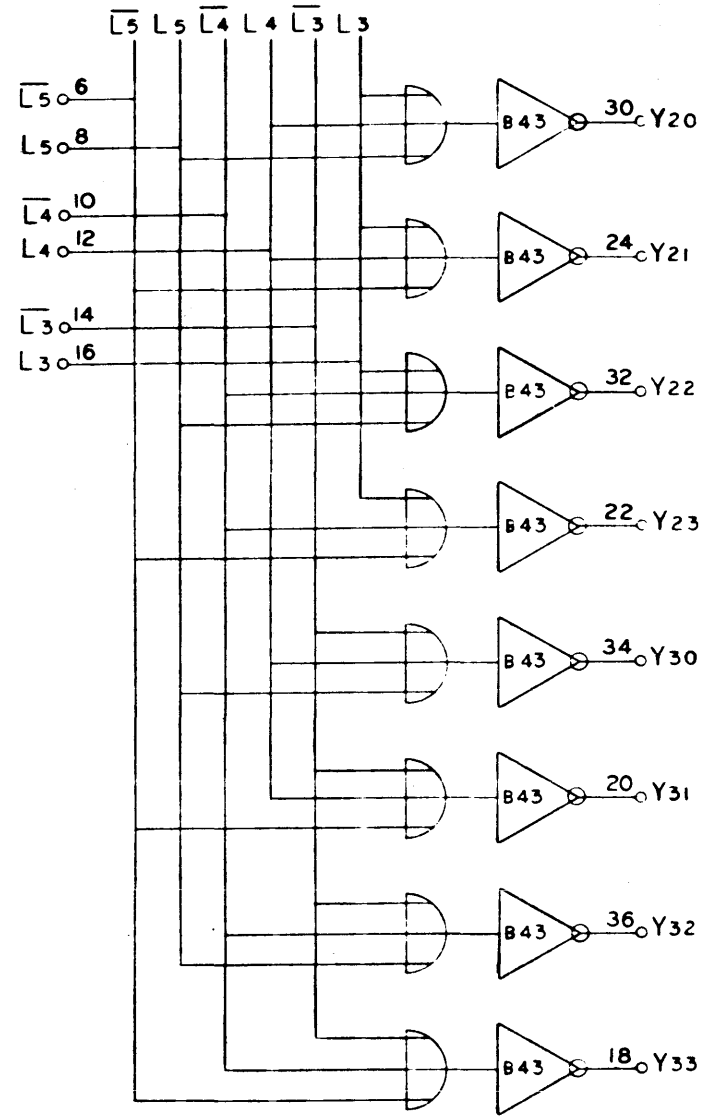
$$\therefore E_{cw} = (Zw1 + Zw2 + Zw3 + Zw4 + Zw5 + Zw6 + Zwp + Wo + \overline{Re}) (ReSp)$$

910-920  
Photo Reader  
PAGE 117  
K

NO. REG	DRAWING NO.	DESCRIPTION	REFERENCE DESIGNATION	ITEM NO.
MATERIAL LIST				
NOTES UNLESS SPECIFIED		DRAWN	CHECK	APPR.
1. TOLERANCES XX ± .000 ANGULAR SEE 2.010				
2. BREAK ALL SHARP EDGES Ø10 APPROX				
3. MACH SURFACES ✓				
4. ALL DIM. IN INCHES				
MODEL NO. 920		SDS SCIENTIFIC DATA SYSTEMS 1542 FIFTEENTH STREET SANTA MONICA CALIFORNIA		TITLE DIAGRAM LOGIC COMPUTER
NEXT ASSY.		SIZE D	DWG NO. 1017C1	K
SCALE		DO NOT SCALE DRAWING		SHEET



REVISIONS			
REV	DESCRIPTION	CHK	DATE
1	RELEASED TO MFG		12/13/62



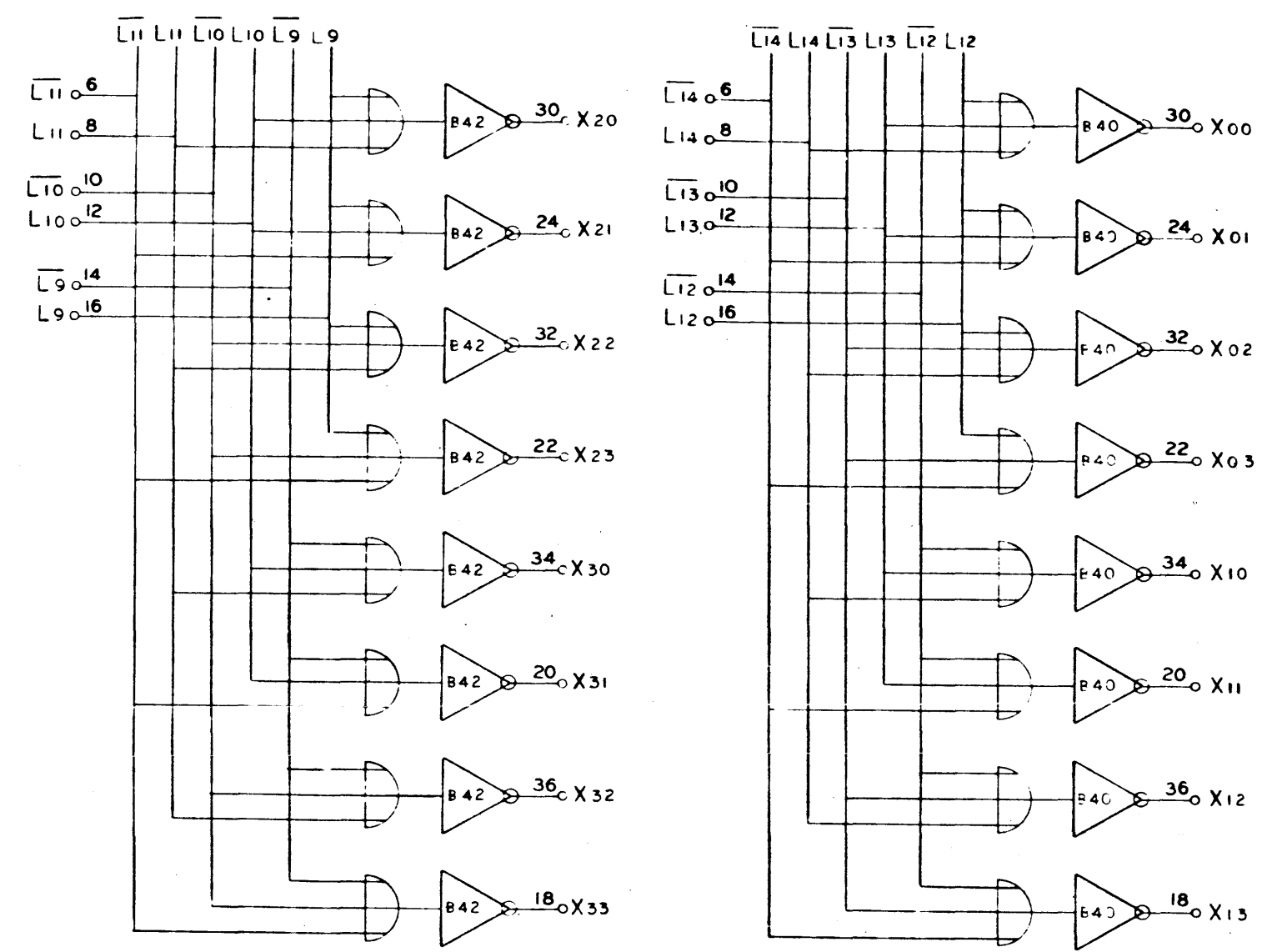
Address Decode  
910-920  
Page 118

NO. REQ.	DRAWING NO.	DESCRIPTION	REFERENCE DESIGNATION	ITEM NO.
MATERIAL LIST				
NOTES UNLESS SPECIFIED		DRAWN	CHECK	DATE
1. TOLERANCES 25 - .030 32 - .010 SEE - .010		2/2	1/13/62	
2. BREAK ALL SHARP EDGES 0.10 APPROX		APPR	1/14/62	
3. MACH SURFACES ✓				
4. ALL DIM. IN INCHES				
MODEL NO. 920		TITLE DIAGRAM, LOGIC COMPUTER		ITEM NO. A
NEXT ASSY.		SCALE	DO NOT SCALE DRAWING	SHEET

101701A1



REVISIONS			
REV	DESCRIPTION	CHK	DATE
A	RELEASED TO MFG		12/13/60

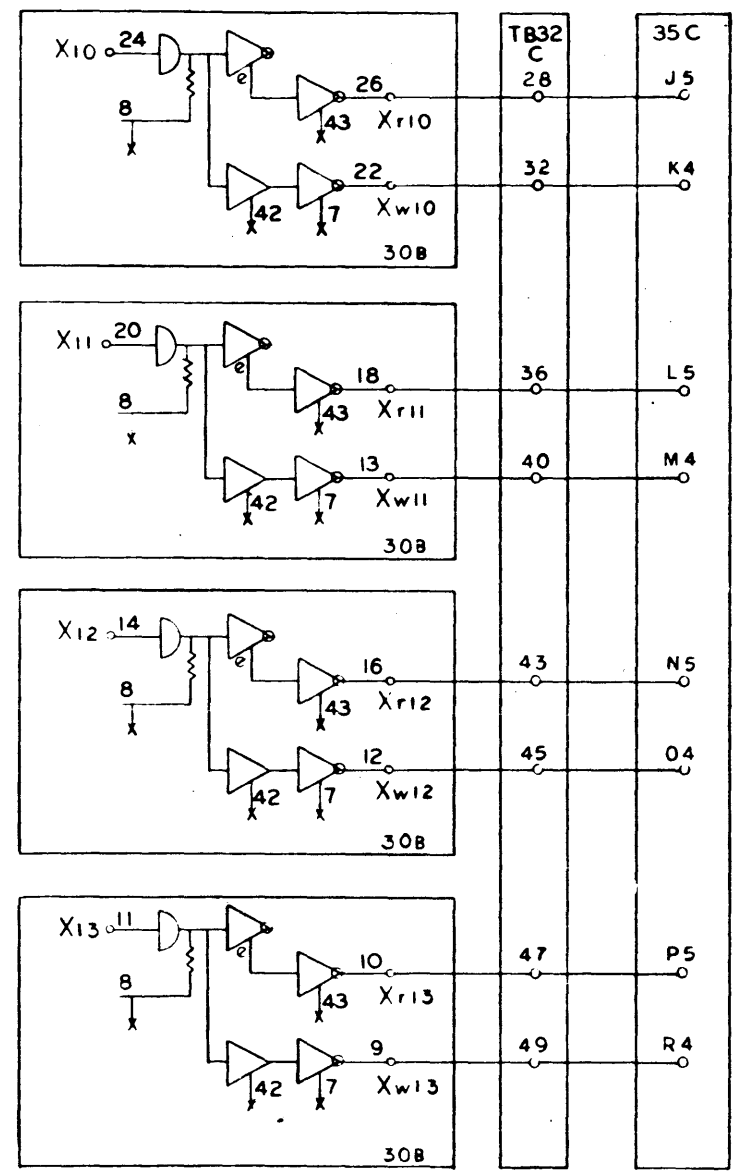
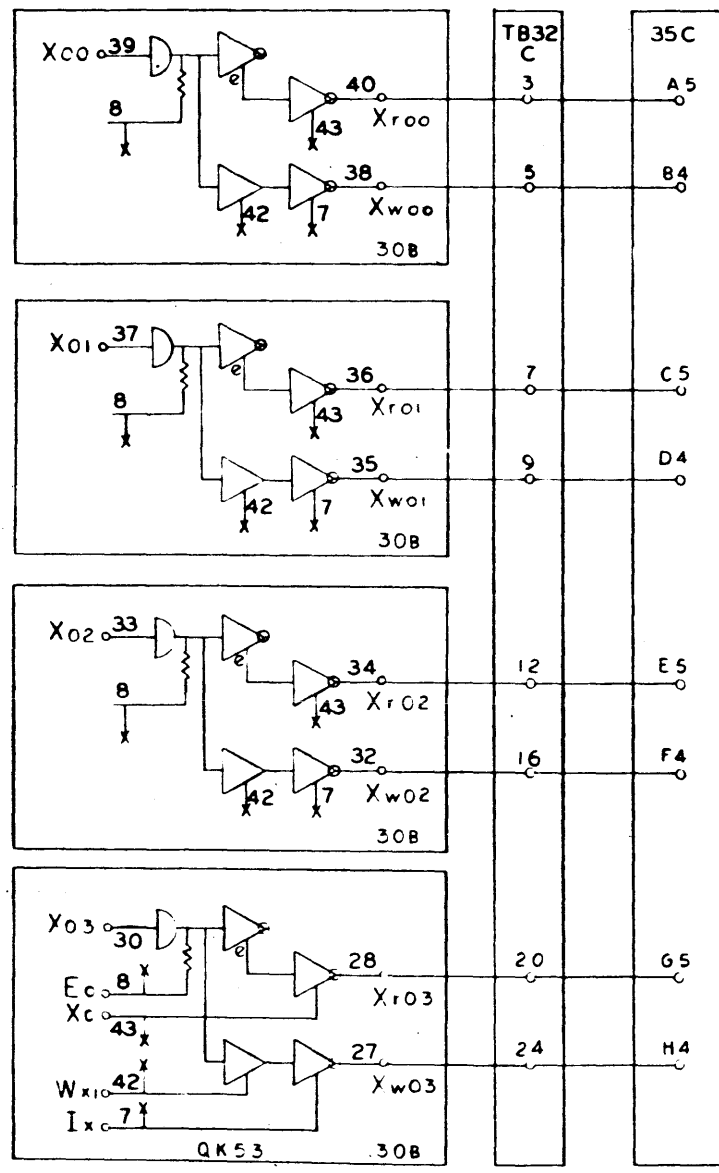


Address Decode  
910-920  
Page 119

101701 A

NO. REQ.	DRAWING NO.	DESCRIPTION	REFERENCE DESIGNATION	ITEM NO.
MATERIAL LIST				
NOTES UNLESS SPECIFIED		DRAWN	CHECK	DATE
1. TOLERANCES XX - DIM ANGULAR XXX - DIM 2 1/2"				
2. BREAK ALL SHARP EDGES D10 APPROX		APPR		
3. MACH SURFACES $\nabla$				
4. ALL DIM IN INCHES				
MODEL NO. 920		<b>SDS</b> SCIENTIFIC DATA SYSTEMS 1545 FIFTEENTH STREET SANTA MONICA CALIFORNIA		TITLE
NEXT ASSY.		DIAGRAM LOGIC COMPUTER		
		SIZE	DWG NO.	
		D	101701	A
		SCALE	DO NOT SCALE DRAWING	SHEET

REVISIONS				101701	C
REV	DESCRIPTION	CHK	DATE	APPROVED	
C	SEE REV E0				

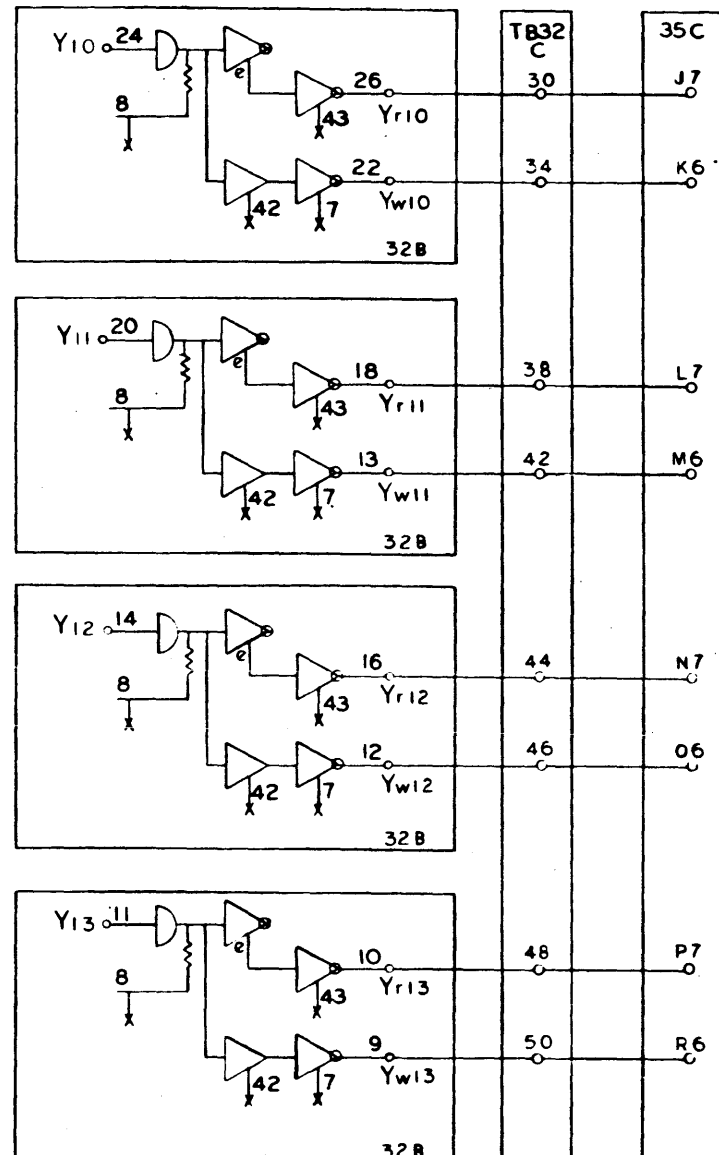
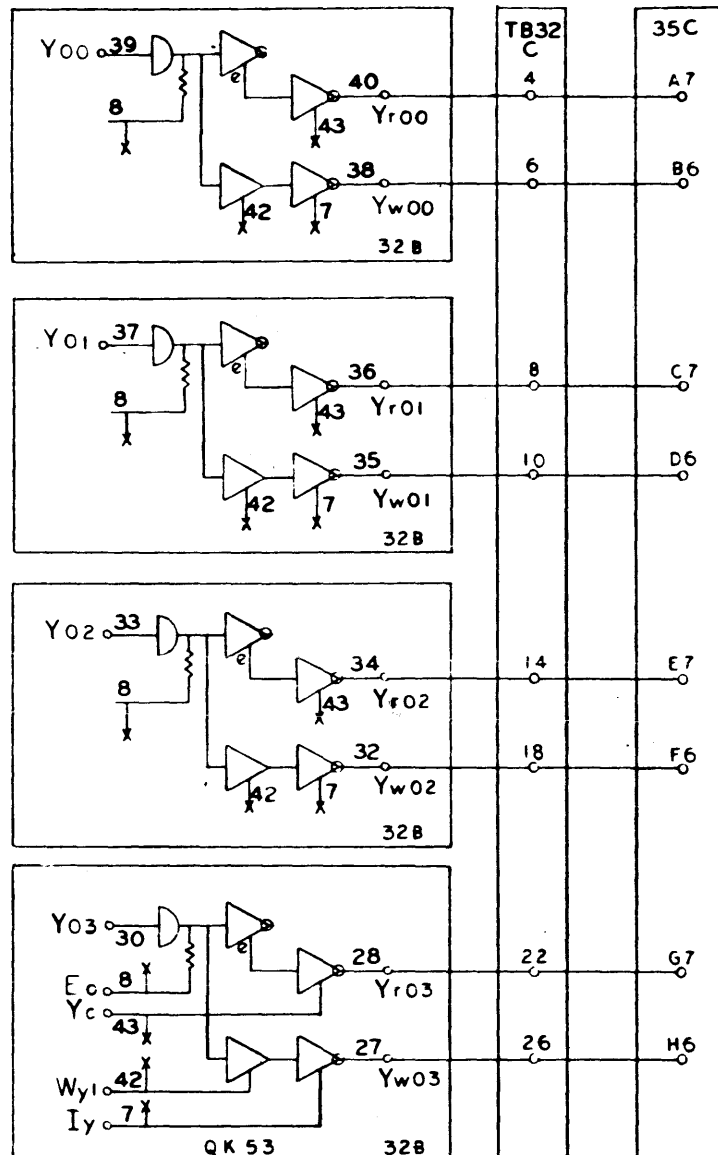


X-Y Selector  
 910-920  
 Page 120  
 C

NO. REQ.	DRAWING NO.	DESCRIPTION	REFERENCE DESIGNATION	ITEM NO.
NOTES UNLESS SPECIFIED				
1. TOLERANCES FR : 0.30 DR : 0.10		ANGULAR 2.5°		
2. BREAK ALL SHARP EDGES 0.10 APPROX				
3. MACH SURFACES		✓		
4. ALL DIMS IN INCHES				
DRAWN EFT		DATE 1/10/63	MATERIAL LIST	
CHECK		DATE 1/10/63	TITLE	
APPR K. Miller		DATE 1/18/63	SDS SCIENTIFIC DATA SYSTEMS 1542 FIFTEENTH STREET SANTA MONICA CALIFORNIA	
MODEL NO. 920		SIZE D	DWG NO. 101701	C
NEXT ASSY		SCALE DO NOT SCALE DRAWING	SHEET	

101701 (C)

REVISIONS				101701	C
REV	DESCRIPTION	CHK	DATE	APPROVED	
C	SEE REV. E.O.				

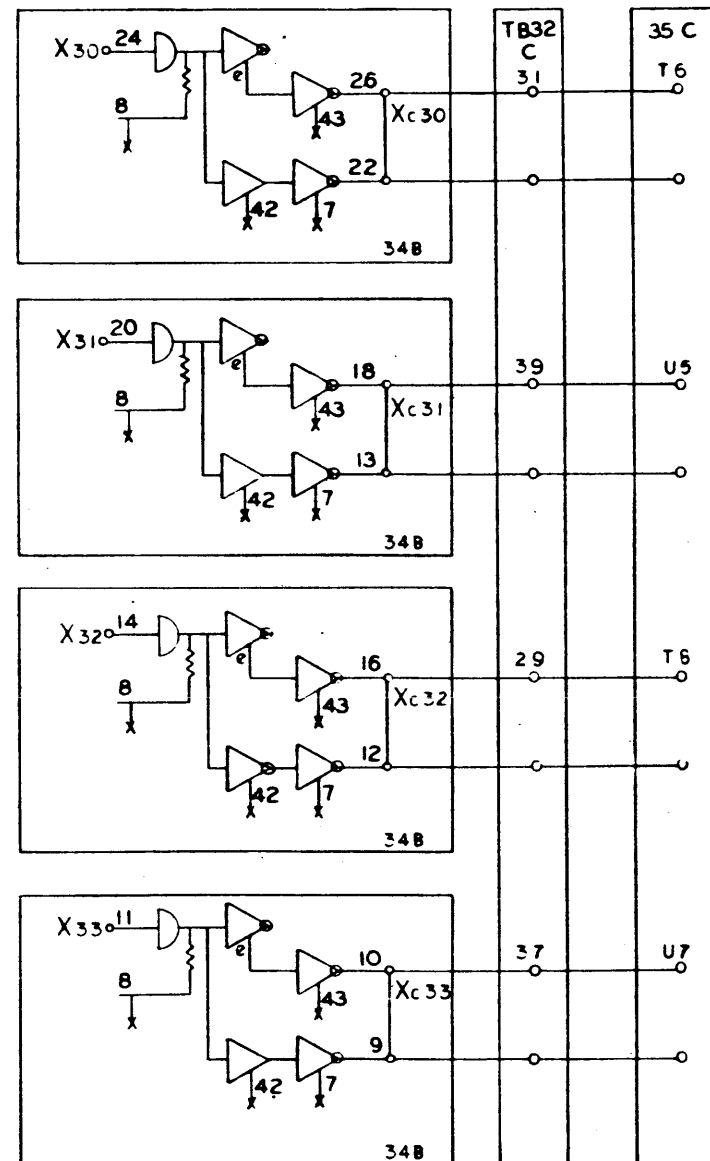
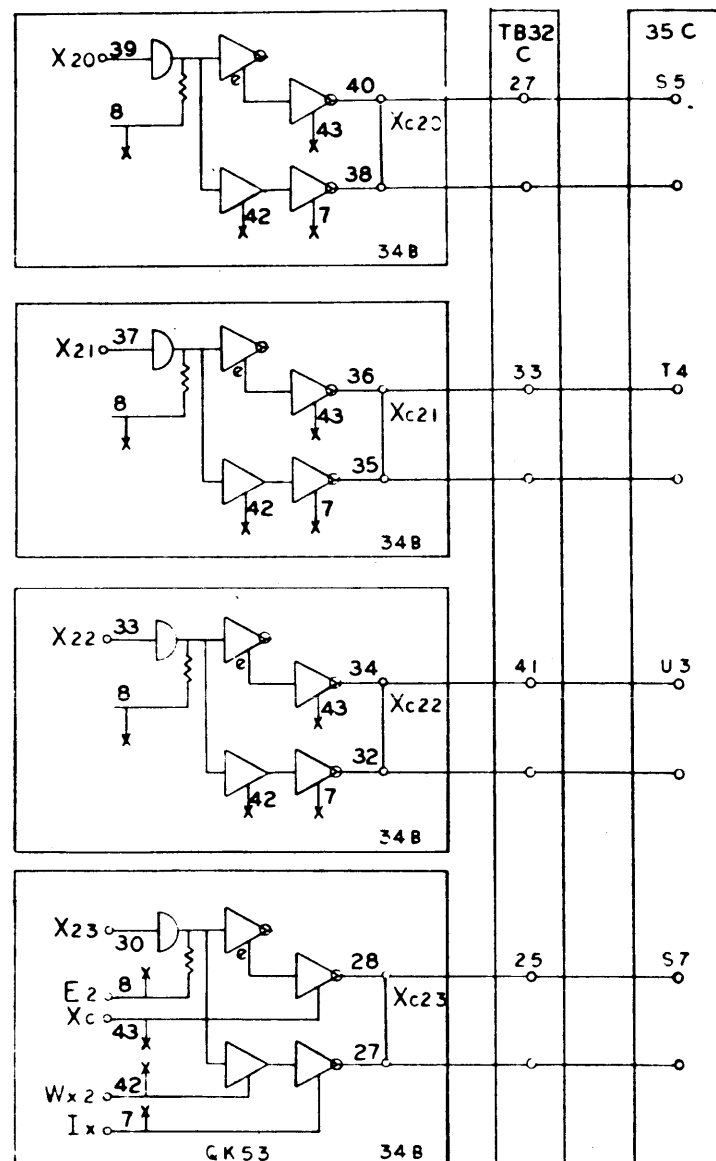


X-Y Selector  
910-920  
Page 121  
C

NO. REQ.	DRAWING NO.	DESCRIPTION	REFERENCE DESIGNATION	ITEM NO.
NOTES UNLESS SPECIFIED				
1. TOLERANCES 25 ± 0.00 30 ± 0.00 40 ± 0.00		2. BREAK ALL SHARP EDGES R10 APPROX.	3. WASH SURFACES	4. ALL DIM. IN INCHES
DRAWN: D.F.T. 1/16/63		CHECK: [Signature] 1/16/63	APPR: [Signature] 1/16/63	TITLE
MATERIAL LIST <b>SDS</b> SCIENTIFIC DATA SYSTEMS 1522 FIFTEENTH STREET, SANTA MONICA, CALIFORNIA			<b>DIAGRAM, LOGIC COMPUTER</b>	
MODEL NO. <b>920</b>		SIZE <b>D</b>		DWG. NO. <b>101701</b>
NEXT ASSY.		SCALE		SHEET

101701 C

REVISIONS			101701	C
REV	DESCRIPTION	CHK	DATE	APPROVED
C	SEE REV. E.O.		1/17/63	<i>[Signature]</i>

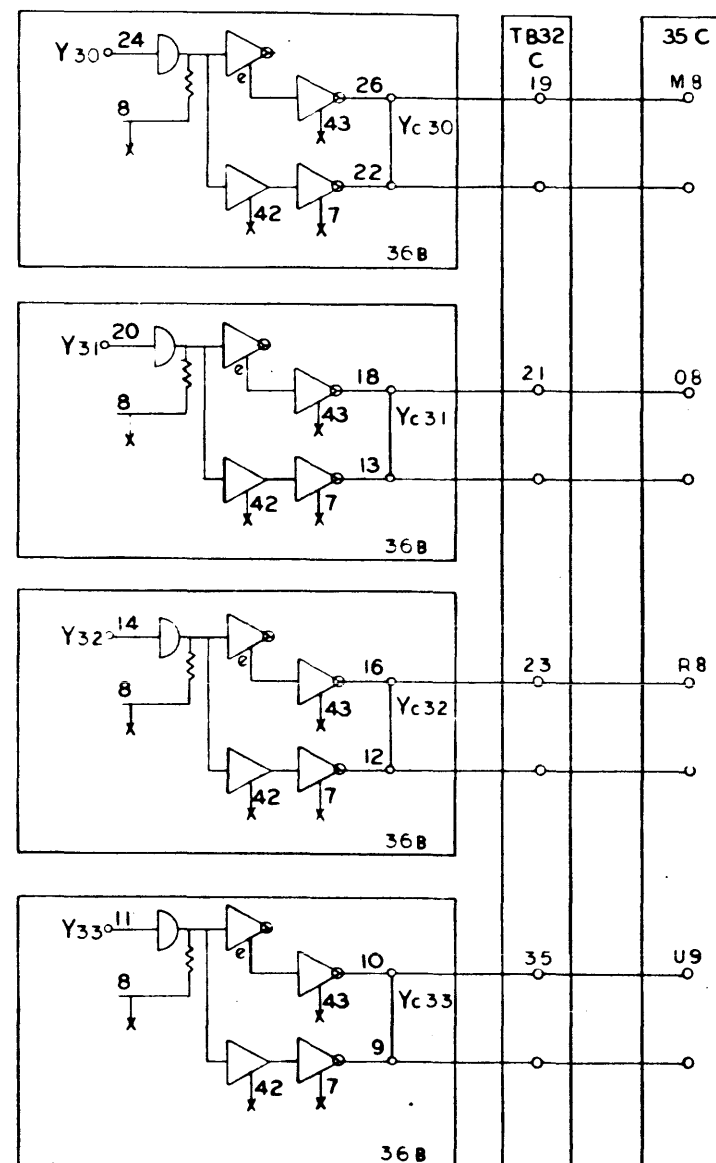
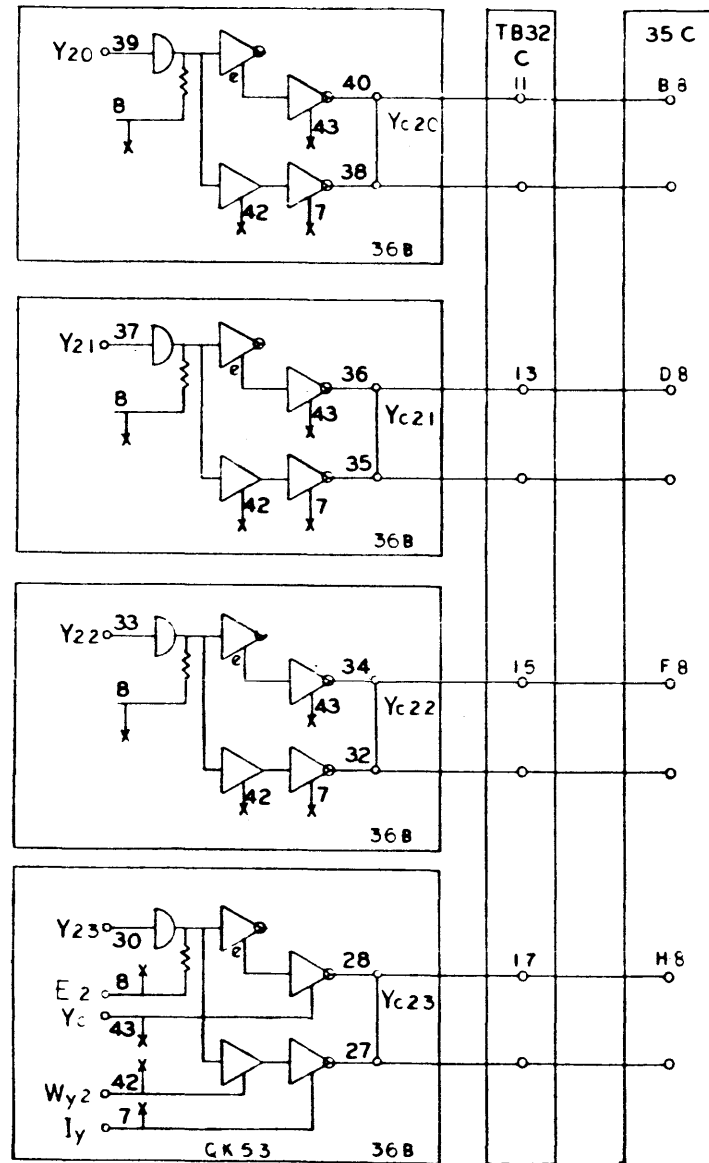


X-Y Selector  
910-920  
Page 122  
C

NO. REQ.	DRAWING NO.	DESCRIPTION	REFERENCE DESIGNATION	ITEM NO.
MATERIAL LIST				
NOTES UNLESS SPECIFIED		DRAWN		
1. TOLERANCES XX : 0.00 ANGULAR XXX : 0.00		CHECK	152 FIFTEENTH STREET SANTA MONICA CALIFORNIA	
2. BREAK ALL SHARP EDGES 3.10 APPROX		APPR	TITLE	
3. HATCH SURFACES 4. ALL DIM IN INCHES			DIAGRAM, LOGIC COMPUTER	
MODEL NO.	920	SIZE	DWG NO.	C
NEXT ASSY		SCALE	D 101701	
			DO NOT SCALE DRAWING	SHEET

101701 C1

REVISIONS				101701	C
REV	DESCRIPTION	CHK	DATE	APPROVED	
C	SEE REV. E.O.				



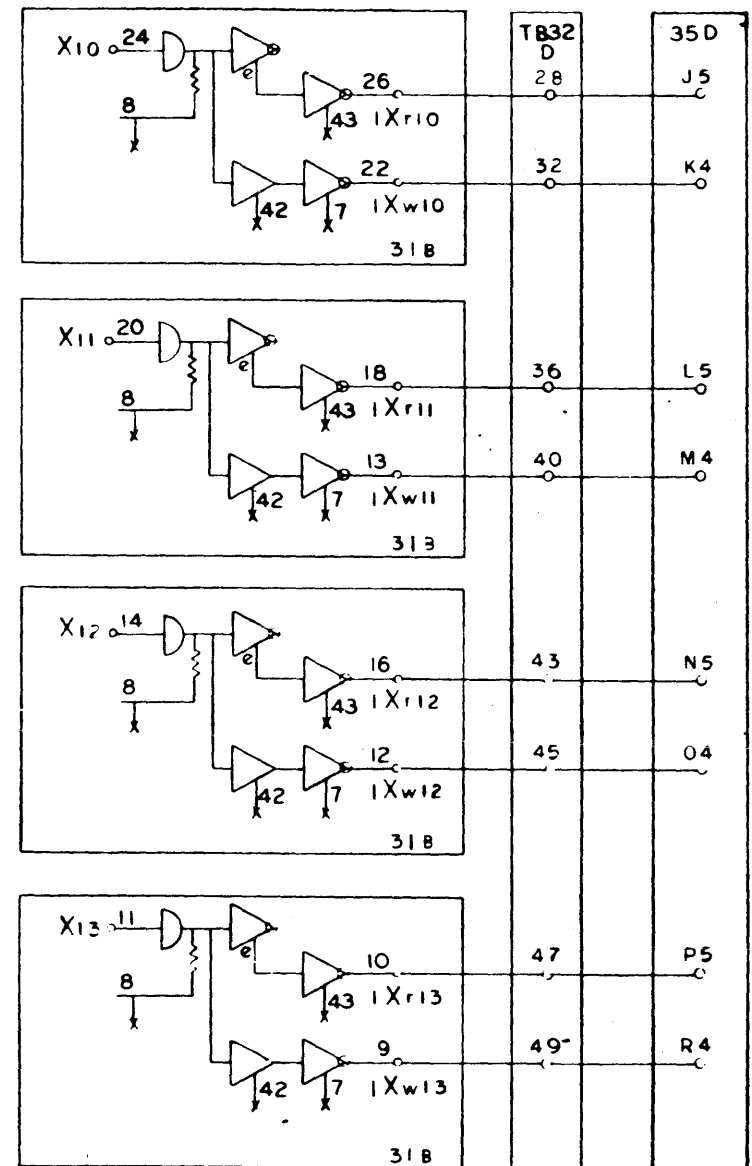
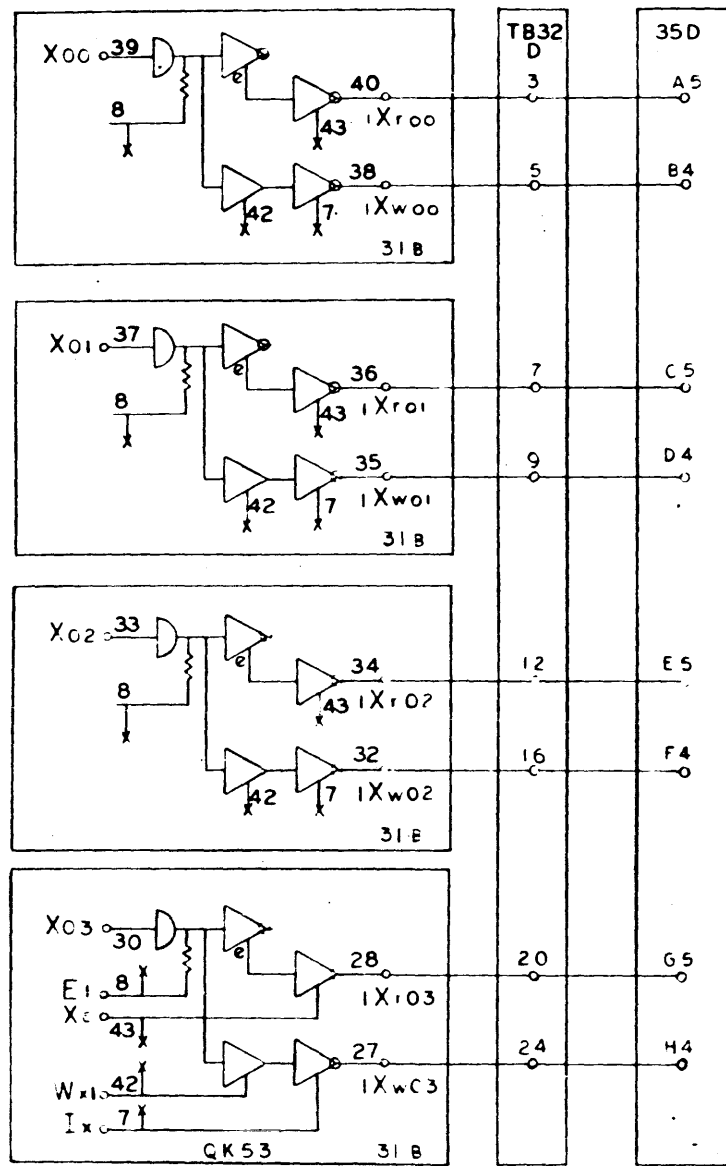
X-Y Selector  
910-920  
Page 123  
C

NO. REQ.	DRAWING NO.	DESCRIPTION	REFERENCE DESIGNATION	ITEM NO.
NOTES UNLESS SPECIFIED				
1. TOLERANCES XX ± .030 XXX ± .010	2. ANGLULAR ± .1°	3. BREAK ALL SHARP EDGES C/D APPROX	4. BACK SURFACES ✓	5. ALL DIM. IN INCHES
DRAWN D.F.T. 1/15/63		CHECK [Signature]	APPR [Signature] 1/14/63	TITLE
MODEL NO. 920		SIZE D		DWS NO. 101701
NEXT ASSY.		SCALE		SHEET

**SDS** SCIENTIFIC DATA SYSTEMS  
1425 FIFTEENTH STREET SANTA MONICA CALIFORNIA  
**DIAGRAM, LOGIC  
COMPUTER**

101701 | C |

REV		REVISIONS			101701	
NO	DESCRIPTION	CHK	DATE	APPROVED		
C	SEE REV. E.O.					

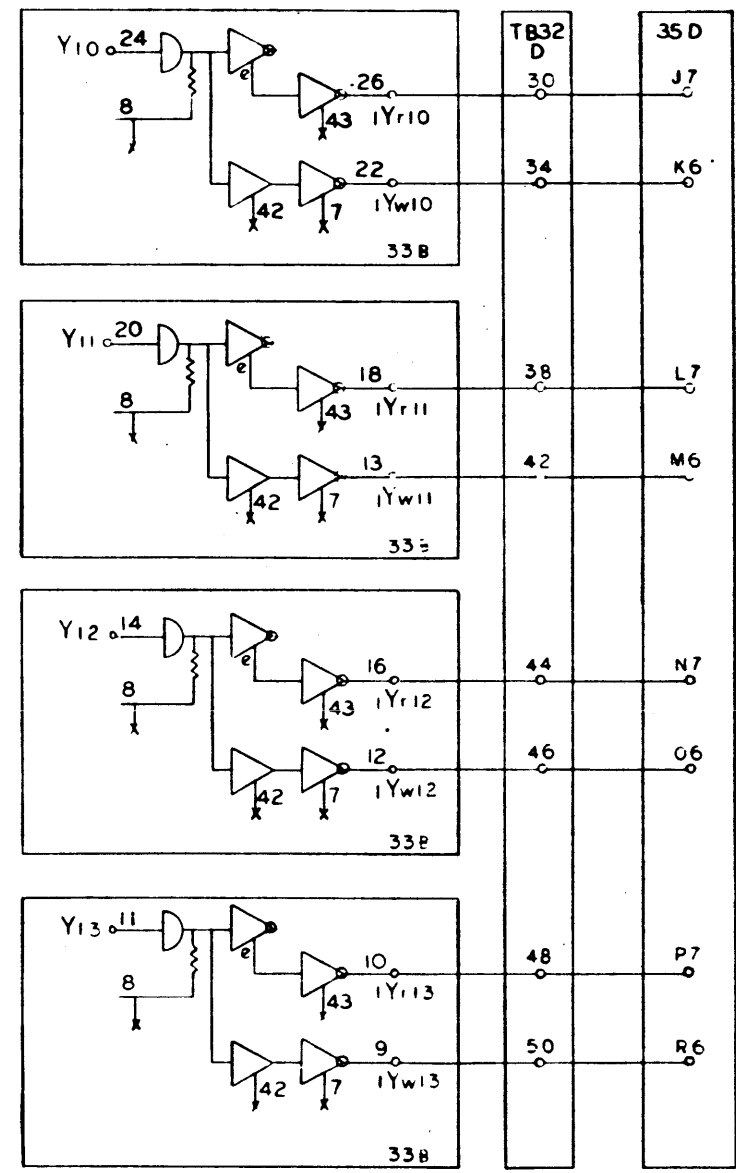
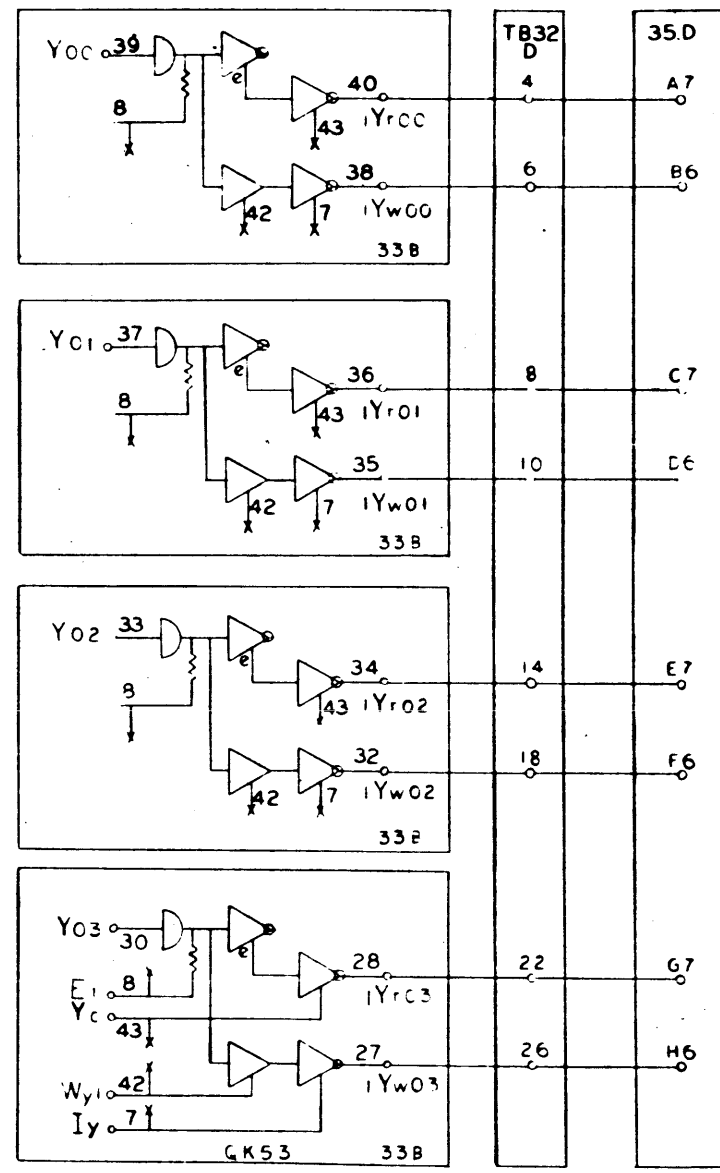


X-Y Selector  
 910-920  
 Page 124  
 C

NO. REQ.	DRAWING NO.	DESCRIPTION	REFERENCE DESIGNATION	ITEM NO.
NOTES UNLESS SPECIFIED				
1. TOLERANCES: .0005 ANGULAR ±.01				
2. BREAK ALL SHARP EDGES .010 APPROX.				
3. MACH SURFACES ✓				
4. ALL DIM. IN INCHES				
DRAWN: JFT		DATE: 1/15/63		
CHECK: [Signature]		DATE: 1/17/63		
APPR: [Signature]		DATE: 1-18-63		
<b>SDS</b> SCIENTIFIC DATA SYSTEMS 1542 24TH STREET SANTA MONICA, CALIFORNIA				
<b>DIAGRAM, LOGIC COMPUTER</b>				
MODEL NO. 920		REV. D		
NEXT ASSY.		DWG NO. 101701		
		SHEET C		
SCALE		DO NOT SCALE DRAWING		

101701 (1)

REVISIONS				101701	C
REV	DESCRIPTION	CHR	DATE	APPROVED	
C	SEE REV. E.O.	N	1/17	1/18	

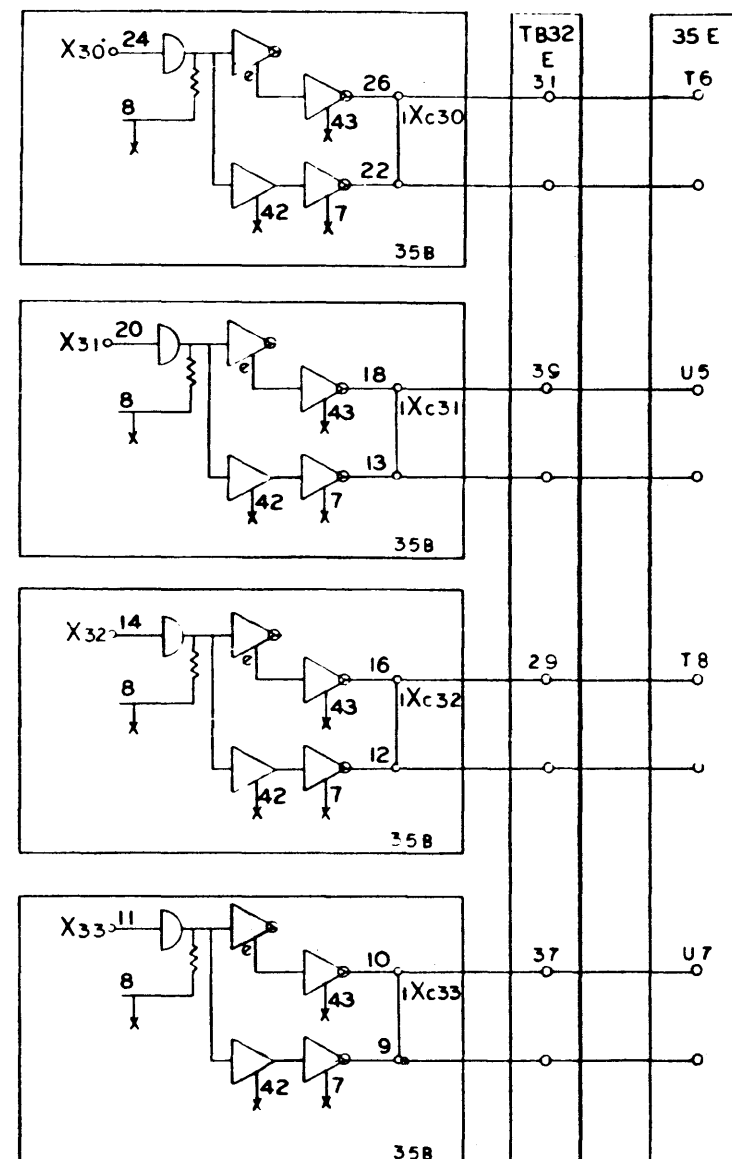
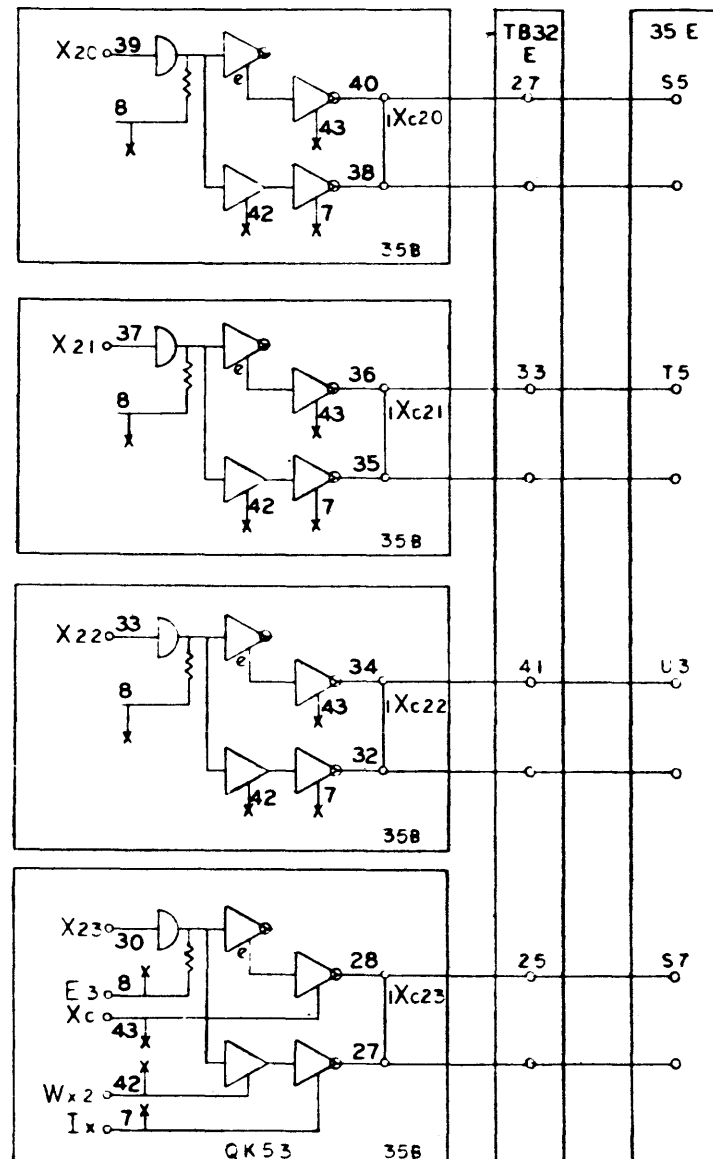


X-Y Selector  
910-920  
Page 125  
C

101701 | C |

NO. REQ.	DRAWING NO.	DESCRIPTION	REFERENCE DESIGNATION	ITEM NO.
NOTES UNLESS SPECIFIED				
1. TOLERANCES: 2X ±.030 ANGULAR ±1°				
2. BREAK ALL SHARP EDGES .010 APPROX				
3. MACH SURFACES ✓				
4. ALL DIM. IN INCHES				
DRAWN: DFT 1/18/63		MATERIAL LIST		
CHECK: J.W. 1/17/63		SDS SCIENTIFIC DATA SYSTEMS		
APPR: A. J. [Signature] 1/18/63		1582 FIFTEENTH STREET, SANTA MONICA, CALIFORNIA		
MODEL NO. 920		TITLE: DIAGRAM, LOGIC COMPUTER		
NEXT ASSY.		REV: D	DWG NO. 101701	C
SCALE:		DO NOT SCALE DRAWING SHEET		

REVISIONS				101701	C
REV	DESCRIPTION	CHK	DATE	APPROVED	
C	SEE REV. E.O.				



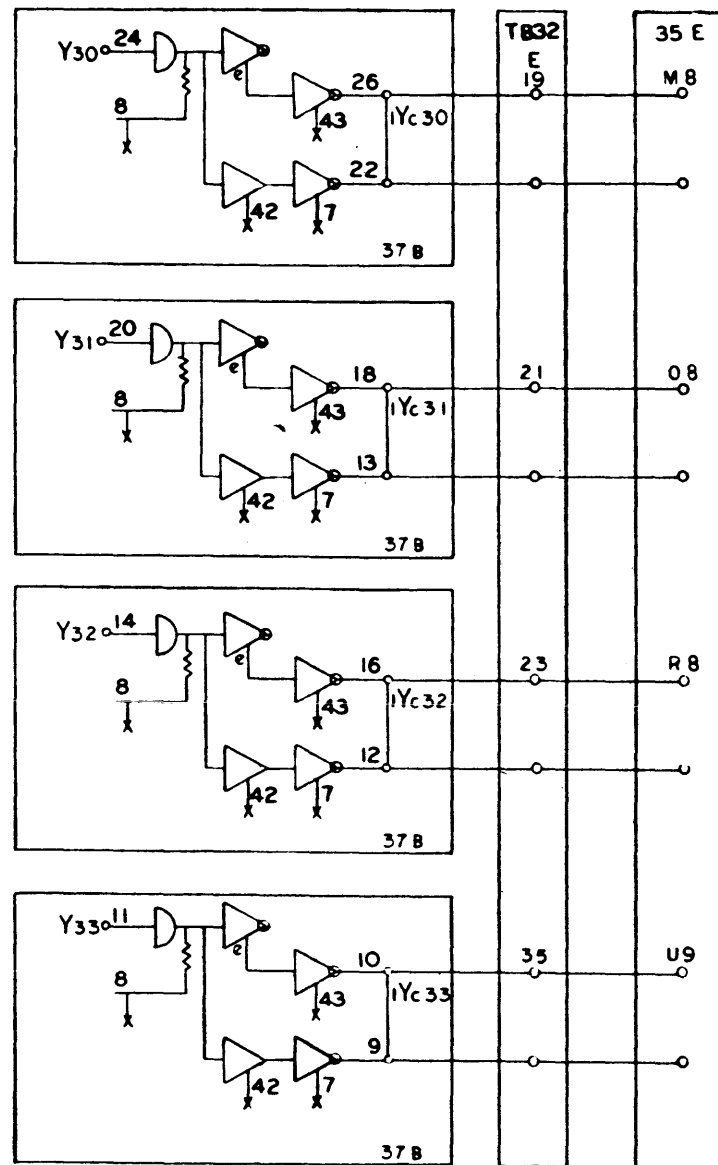
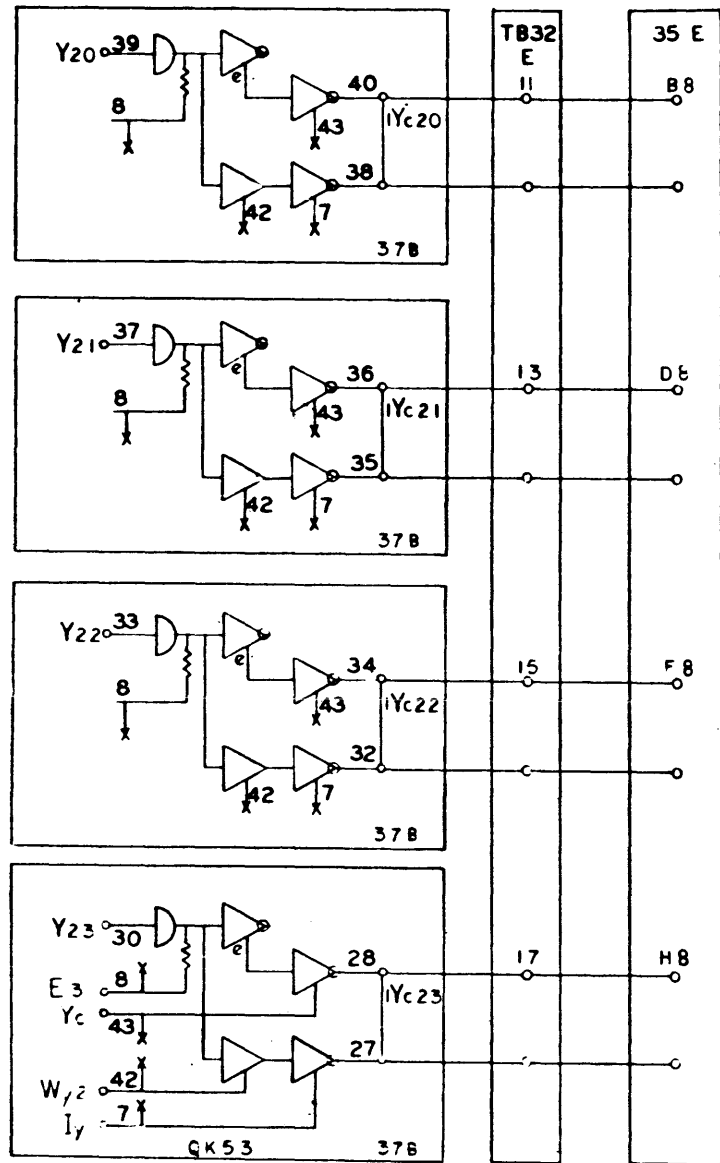
X-Y Selector  
910-920  
Page 126  
C

NO. REQ.	DRAWING NO.	DESCRIPTION	REFERENCE DESIGNATION	ITEM NO.
MATERIAL LIST				
NOTES UNLESS SPECIFIED		DRAWN: DFT CHECK: J.H. APPR: [Signature]	<b>SDS</b> SCIENTIFIC DATA SYSTEMS 1542 FIFTEENTH STREET, SANTA MONICA, CALIFORNIA	
1. TOLERANCES XX - .030 ANGULAR .XXX - .010 2. BREAK ALL SHARP EDGES .010 APPROX 3. MACH. SURFACES ✓ 4. ALL DIM. IN INCHES		TITLE <b>DIAGRAM, LOGIC COMPUTER</b>		
MODEL NO. 920		SIZE D	DWG NO. 101701	C
NEXT ASSY.		SCALE	DO NOT SCALE DRAWING	SHEET

101701 C



REVISIONS				101701	C
REV	DESCRIPTION	CHK	DATE	APPROVED	
C	SEE REV. E.O.				



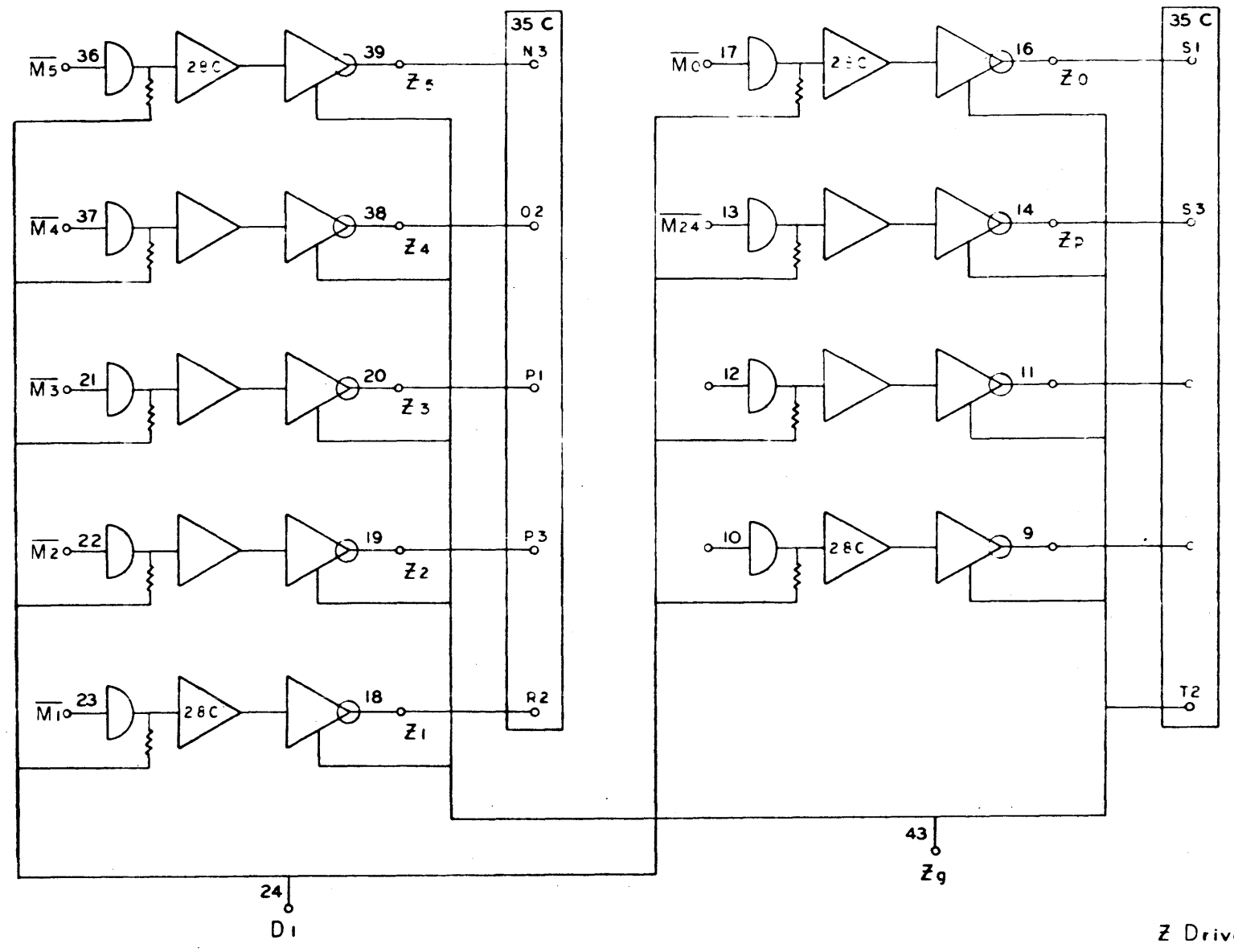
X-Y Selector  
910-920  
Page 127  
C

NO	DRAWING NO.	DESCRIPTION	REFERENCE DESIGNATION	REV
1				
MATERIAL LIST				
NOTES UNLESS SPECIFIED		DRAWN	DEF.	1/15/63
1. TOLERANCES FRACTIONS .0005 ANGULAR DECIMALS .0005 ±.001		CHECK	DEF.	1/15/63
2. BREAK ALL SHARP EDGES 90° APPROX		APPR.	DEF.	1/15/63
3. MACH SURFACES ✓				
4. ALL DIM. IN INCHES				
MODEL NO. 920		TITLE DIAGRAM, LOGIC COMPUTER		
NEXT ASSY.		SIZE	DWG NO.	C
		D	101701	
		SCALE	DO NOT SCALE DRAWING	SHEET

101701 | C |



REVISIONS				01701	A
REV	DESCRIPTION	CHK	DATE	APPROVED	
A	RELEASED TO MFG		12/13/64	J. Nelson	

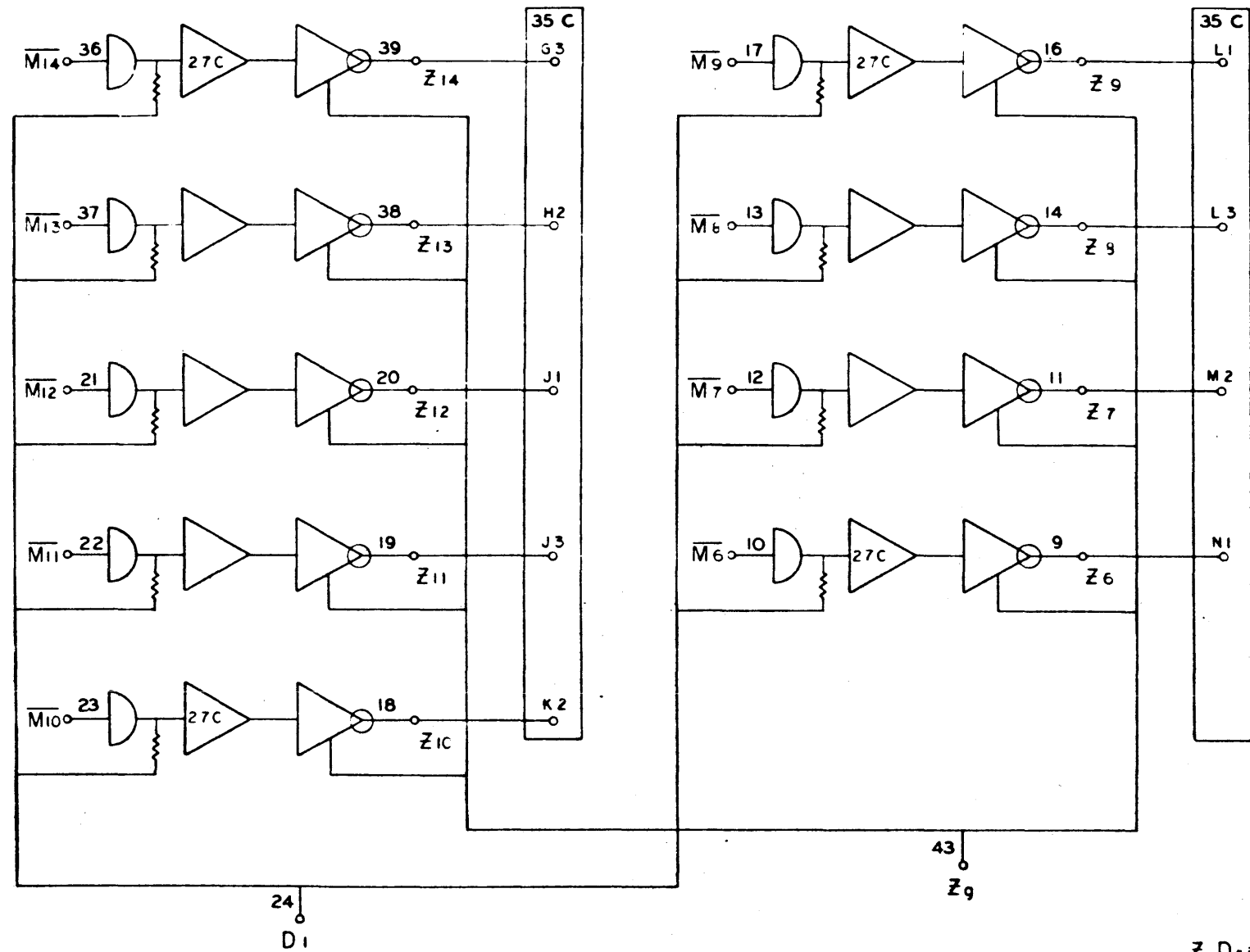


Z Driver  
910 - 920  
Page 128

NO. REV.	DRAWING NO.	DESCRIPTION	REFERENCE DESIGNATION	ITEM NO.
MATERIAL LIST				
NOTES UNLESS SPECIFIED		DRAWN	 1542 FIFTEENTH STREET SANTA MONICA CALIFORNIA	
1. TOLERANCES .05 ± .005 ANGULAR .010 ± .010		CHECK		
2. BREAK ALL SHARP EDGES .010 APPROX.		APPR.	DIAGRAM, LOGIC COMPUTER	
3. MACH. SURFACES ✓				
4. ALL DIM. IN INCHES				
MODEL NO.	920	SIZE	DWG NO.	A
NEXT ASBY.		SCALE	DO NOT SCALE DRAWING	SHEET

101701 | A |

REVISIONS				101701	A
REV	DESCRIPTION	CHK	DATE	APPROVED	
A	RELEASED TO MFG		2/1/62	<i>[Signature]</i>	

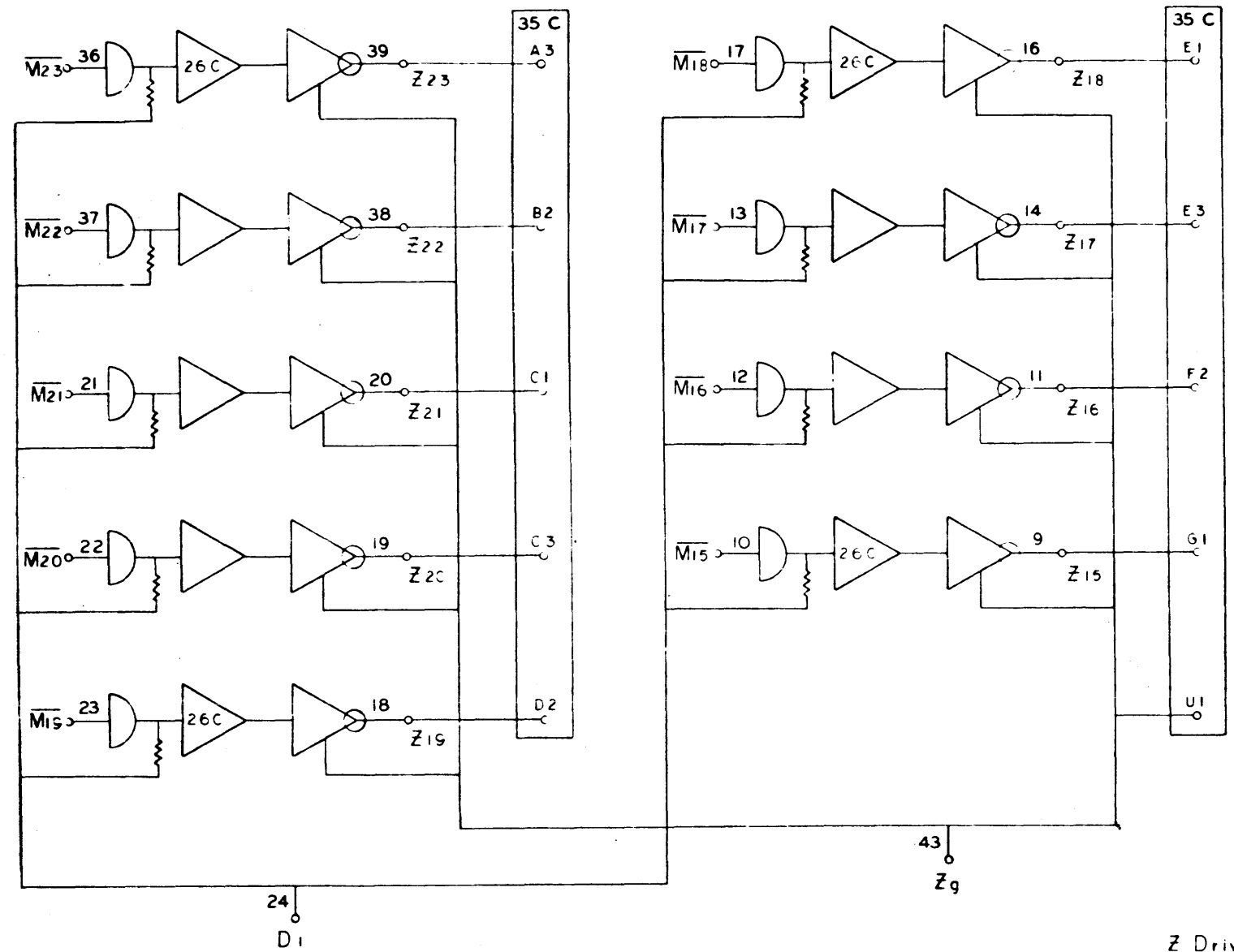


Z Driver  
910 - 920  
Page 129

101701 A

NO. REQ.	DRAWING NO.	DESCRIPTION	REFERENCE DESIGNATION	ITEM NO.
MATERIAL LIST				
NOTES UNLESS SPECIFIED		DRAWN	<b>SDS</b> SCIENTIFIC DATA SYSTEMS <small>1545 FIFTEENTH STREET SANTA MONICA CALIFORNIA</small>	
1. TOLERANCES .001 ± .000 ANGULAR .002 ± .010 2 1/2" 2. BREAK ALL SHARP EDGES .010 APPROX. 3. HATCH SURFACES ✓ 4. ALL DIMS. IN INCHES		CHECK		
		APPR.	DATE	TITLE
				<b>DIAGRAM LOGIC COMPUTER</b>
MODEL NO.		SIZE	DWG. NO.	
920		D	101701	
NEXT ASSY.		SCALE	DO NOT SCALE DRAWING	SHEET
				A

REVISIONS			
REV	DESCRIPTION	CHK	DATE
A	RELEASED TO MFG		2/1/67

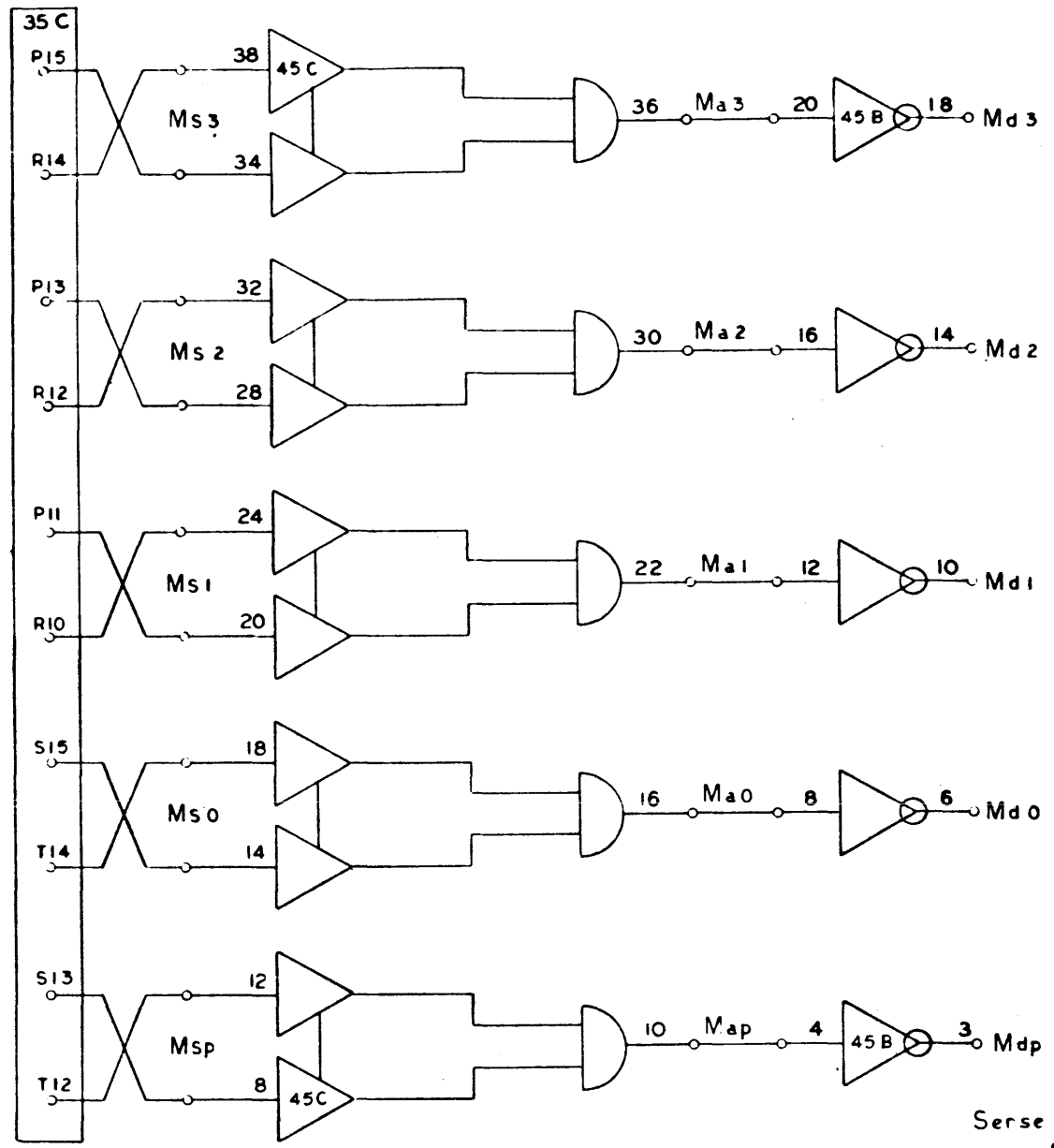


Z Driver  
91C - 920  
Page 130

NO. REQ.	DRAWING NO.	DESCRIPTION	REFERENCE DESIGNATION	ITEM NO.
MATERIAL LIST				
NOTES UNLESS SPECIFIED		DRAWN	<b>SDS</b> SCIENTIFIC DATA SYSTEMS 1542 FIFTEENTH STREET SANTA MONICA CALIFORNIA	
1. TOLERANCES XX .030 ANGULAR XXX .010 2.5°		CHECK	TITLE	
2. BREAK ALL SHARP EDGES D10 APPROX		APPR	DIAGRAM, LOGIC COMPUTER	
3. MACH SURFACES ✓			MODEL NO.	SIZE DWG NO.
4. ALL DIM IN INCHES			920	D 101701
NEXT ASSY			SCALE	DO NOT SCALE DRAWING SHEET

101701 A

REVISIONS			
REV	DESCRIPTION	CHK	DATE
A	RELEASED TO NEG		

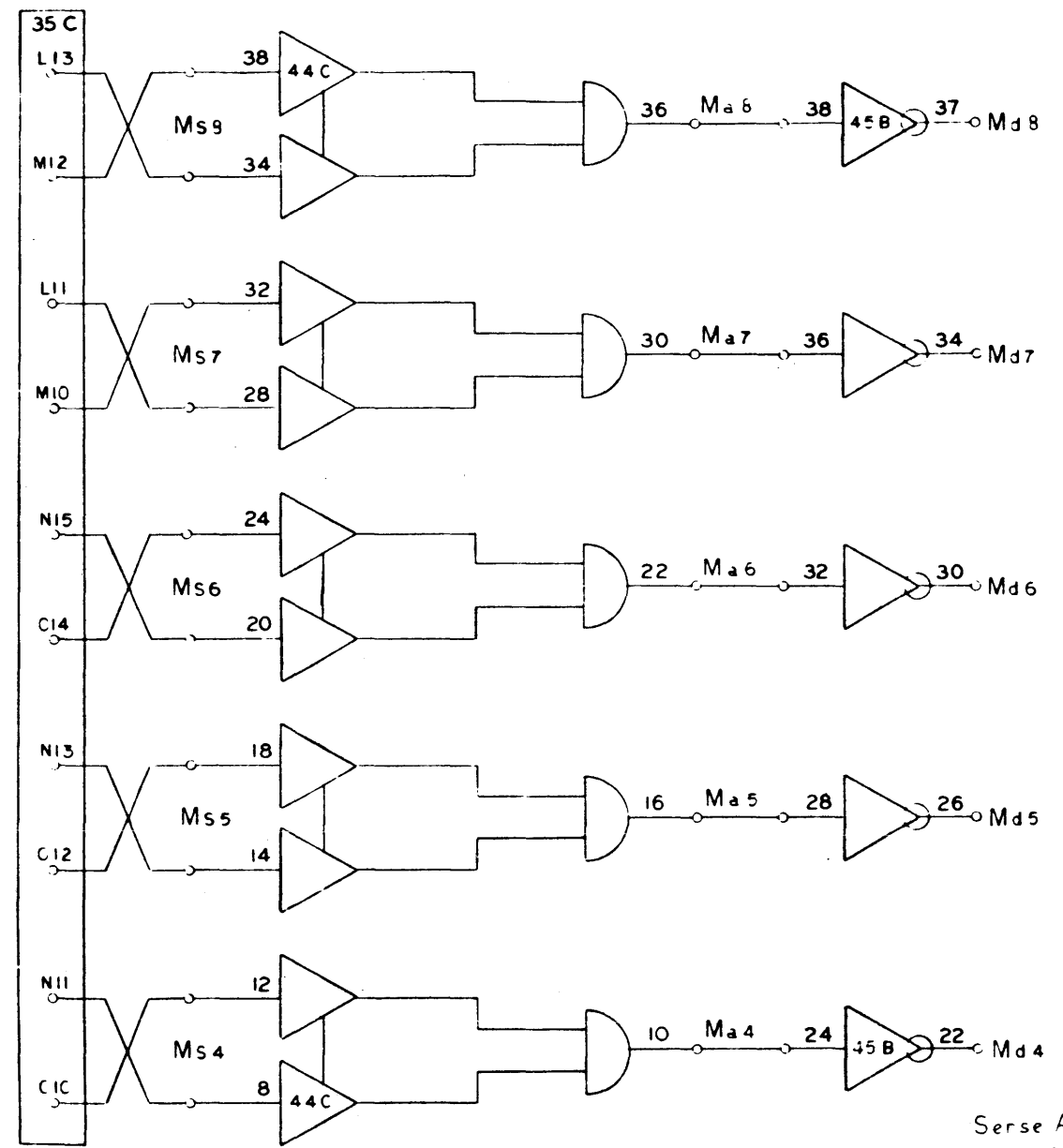


Sense Amplifier  
&  
Discriminator  
Page 131

101701 A

NO. REV.	DRAWING NO.	DESCRIPTION	REFERENCE DESIGNATION	ITEM NO.
MATERIAL LIST				
NOTES UNLESS SPECIFIED		DRWN	CHK	DATE
1. TOLERANCES UNLESS SPECIFIED		APPV		
2. BREAK ALL SHARP CORNERS		<div style="text-align: center;"> <p>1542 FIFTEENTH STREET SANTA MONICA CALIFORNIA</p> </div>		
3. CHECK DIMENSIONS				
4. ALL DIMS IN INCHES		TITLE		
		DIAGRAM, LOGIC COMPUTER		
MODEL NO.	920	SIZE	DWG NO.	A
NEXT REV.		SCALE	DO NOT SCALE DRAWING	SHEET

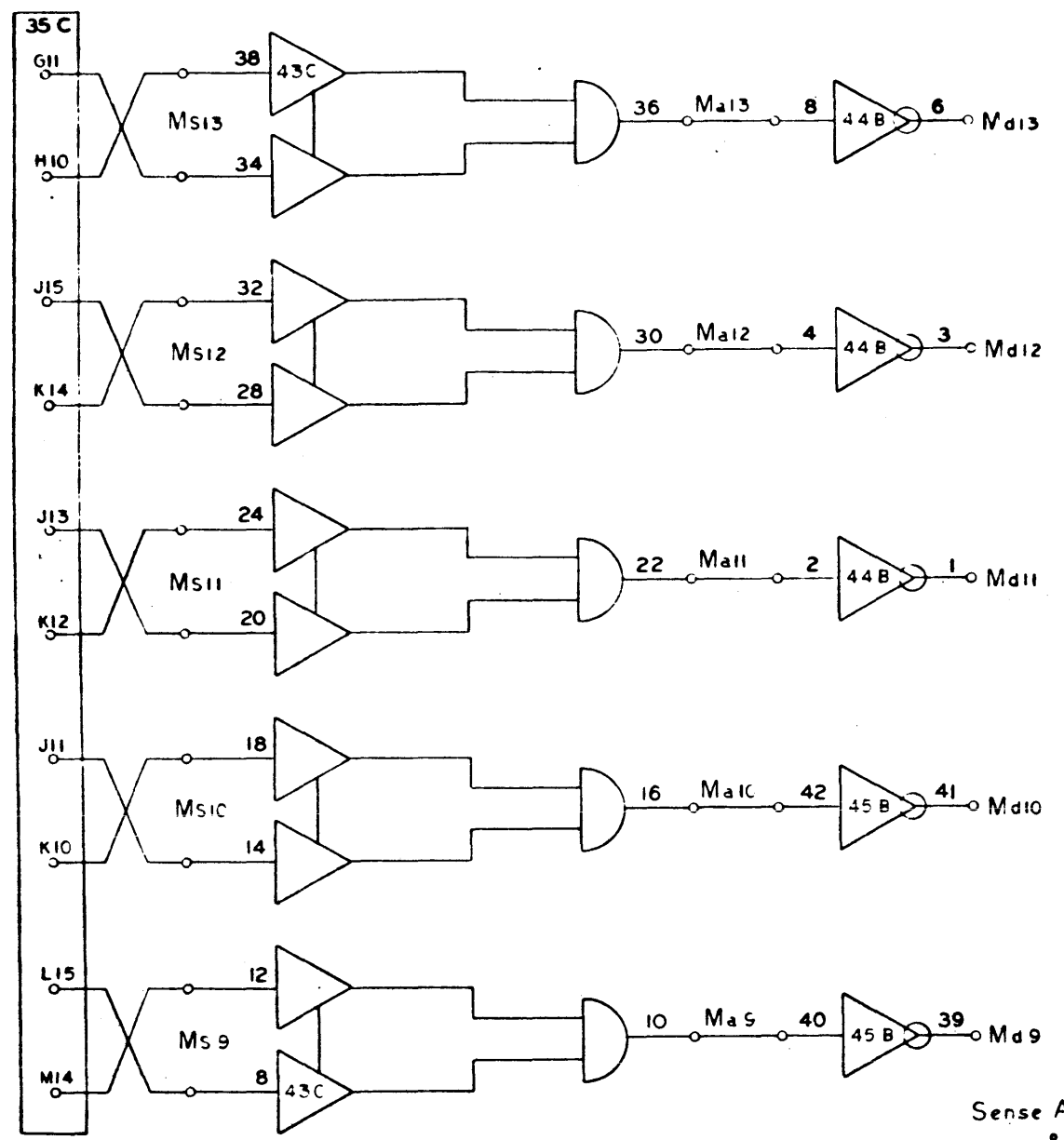
REV		DESCRIPTION		CHK	DATE	APPROVED
A		RELEASED TO VFG			12/1/60	J. H. ...



Sense Amplifier  
&  
Discriminator

NO. REG.	DRAWING NO.	DESCRIPTION	REFERENCE DESIGNATION	ITEM NO.
MATERIAL LIST				
NOTES UNLESS SPECIFIED		DRAWN	SDS SCIENTIFIC DATA SYSTEMS 1742 FIFTEENTH STREET SANTA MONICA, CALIFORNIA	
1 TOLERANCES XX - DIM ANGULAR SEE - DIM		CHECK	TITLE DIAGRAM, LOGIC COMPUTER	
2 BREAK ALL SHARP EDGES D10 APPROX		APPR		
3 MACH SURFACES ✓				
4 ALL DIM. IN INCHES				
MODEL NO.	920	SIZE	DWG NO.	A
NEXT ASSY		SCALE	DO NOT SCALE DRAWING	SHEET

REV		DESCRIPTION		CHK	DATE	APPROVED
A		RELEASED TO MFG			11/13	<i>[Signature]</i>



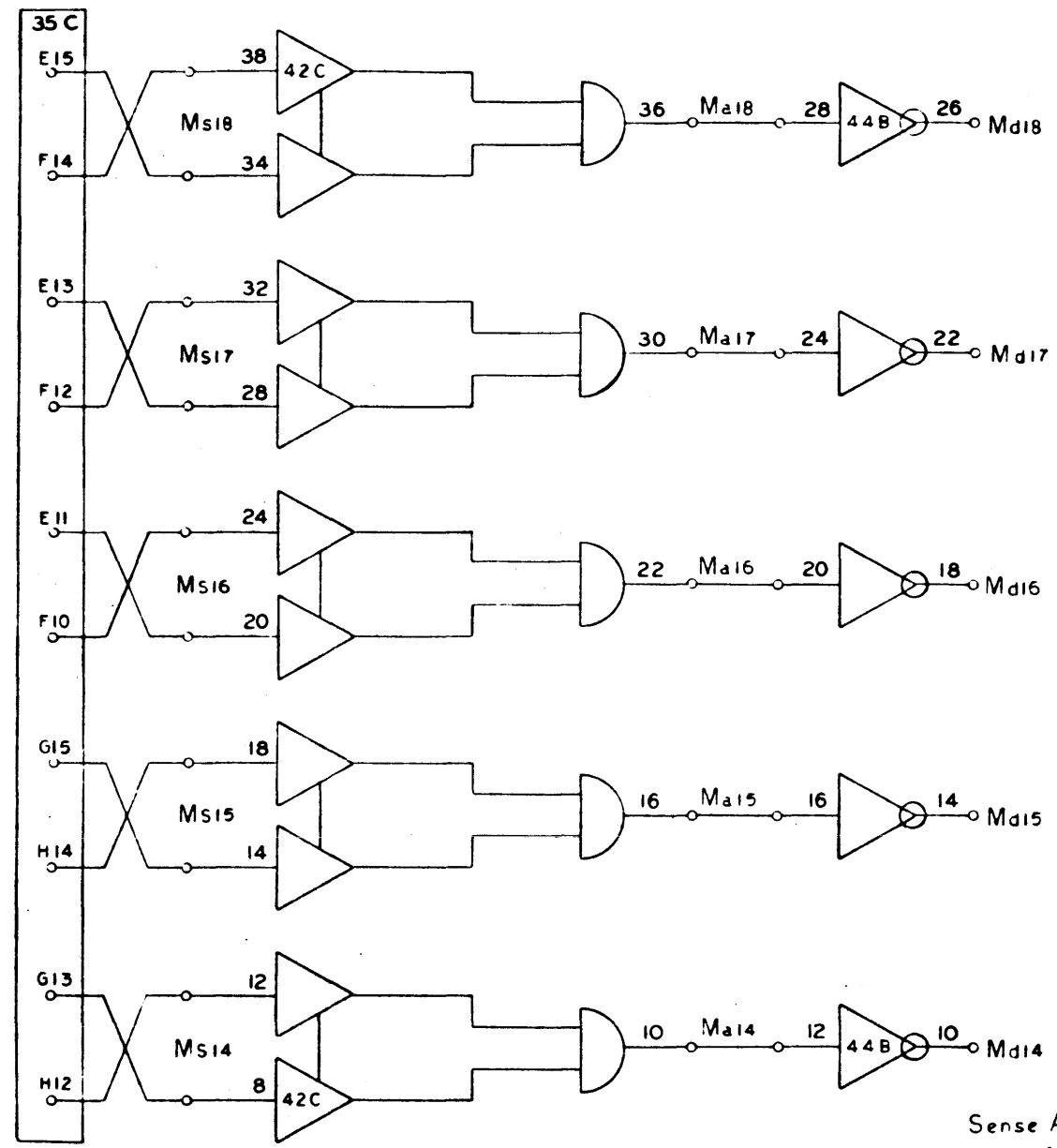
Sense Amplifier  
&  
Discriminator  
Page 133

101701 A

NO. REV.	DRAWING NO.	DESCRIPTION	REFERENCE DESIGNATION	ITEM NO.
MATERIAL LIST				
NOTES UNLESS SPECIFIED		DRAWN	CHECK	DATE
1. TOLERANCES 25 ± 0.00 ANGULAR 35 ± 0.10 2 1/2°		<i>[Signature]</i>	<i>[Signature]</i>	11/13/67
2. BREAK ALL SHARP EDGES 3. 90° APPROX		APPR.	<i>[Signature]</i>	11/14/67
3. HATCH SURFACES				
4. ALL DIM. IN INCHES				
MODEL NO. 920		TITLE DIAGRAM, LOGIC COMPUTER		
NEXT ASSY.		SIZE D	DWG NO. 101701	A
SCALE		DO NOT SCALE DRAWING		SHEET



REVISIONS				101701	A
REV	DESCRIPTION	CHK	DATE	APPROVED	
A	RELEASED TO MFG				

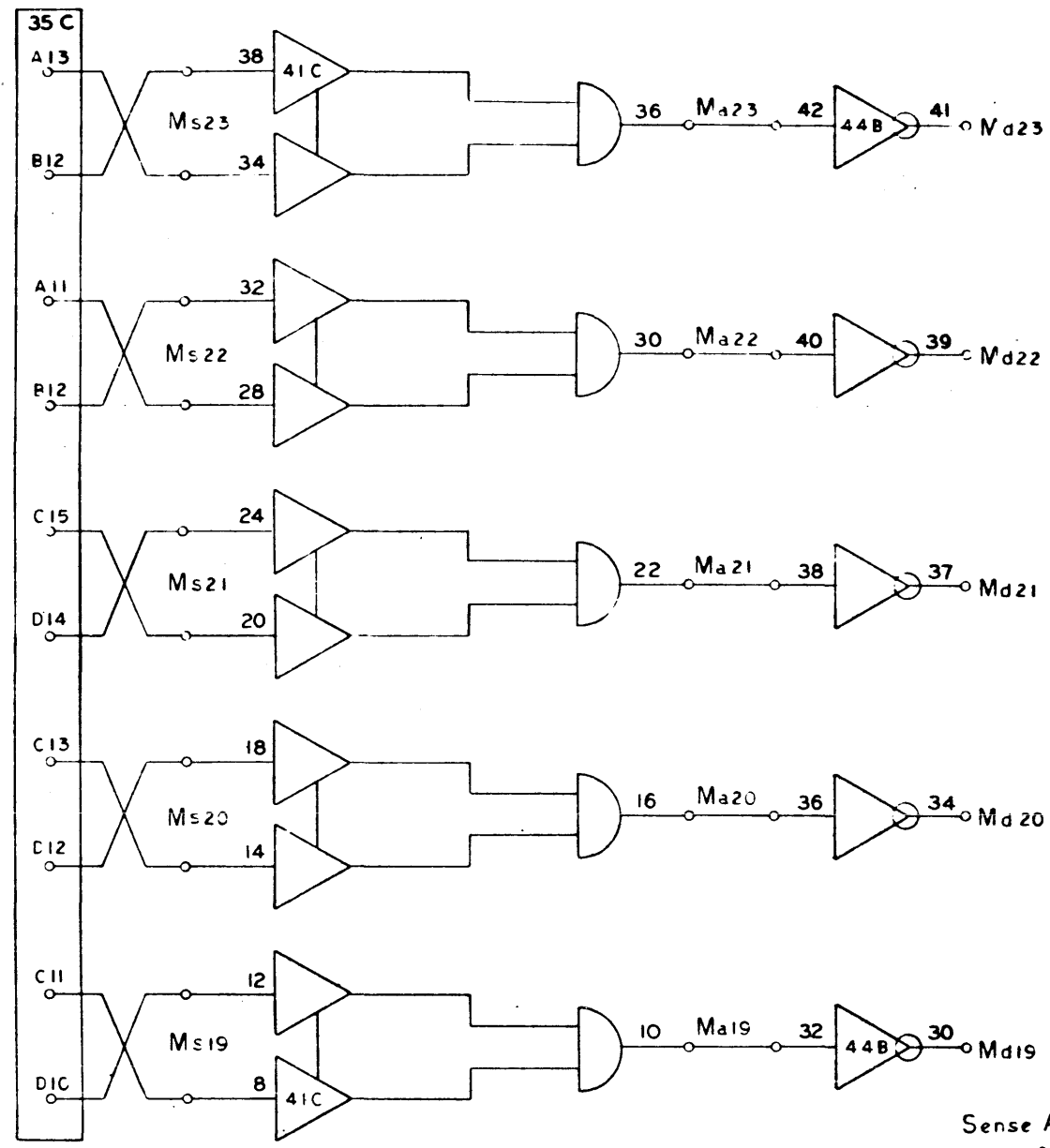


Sense Amplifier  
&  
Discriminator  
Page 134

NO. REQ.	DRAWING NO.	DESCRIPTION	REFERENCE DESIGNATION	ITEM NO.
MATERIAL LIST				
NOTES UNLESS SPECIFIED		DRAWN	SDS SCIENTIFIC DATA SYSTEMS 1742 FIFTEENTH STREET SANTA MONICA CALIFORNIA	
1. TOLERANCES ± .030 ANGULAR ± .010 ± 1/2°		CHECK	TITLE DIAGRAM, LOGIC COMPUTER	
2. BREAK ALL SHARP EDGES @ 10 APPROX		APPR		
3. RACH SURFACES ✓				
4. ALL DIM. IN INCHES				
MODEL NO.	920	SIZE	D	101701 A
NEXT ASSY.		SCALE	DO NOT SCALE DRAWING	SHEET

101701 A

REVISIONS			
NO.	DESCRIPTION	CHK	DATE
A	RELEASED TO MFG		

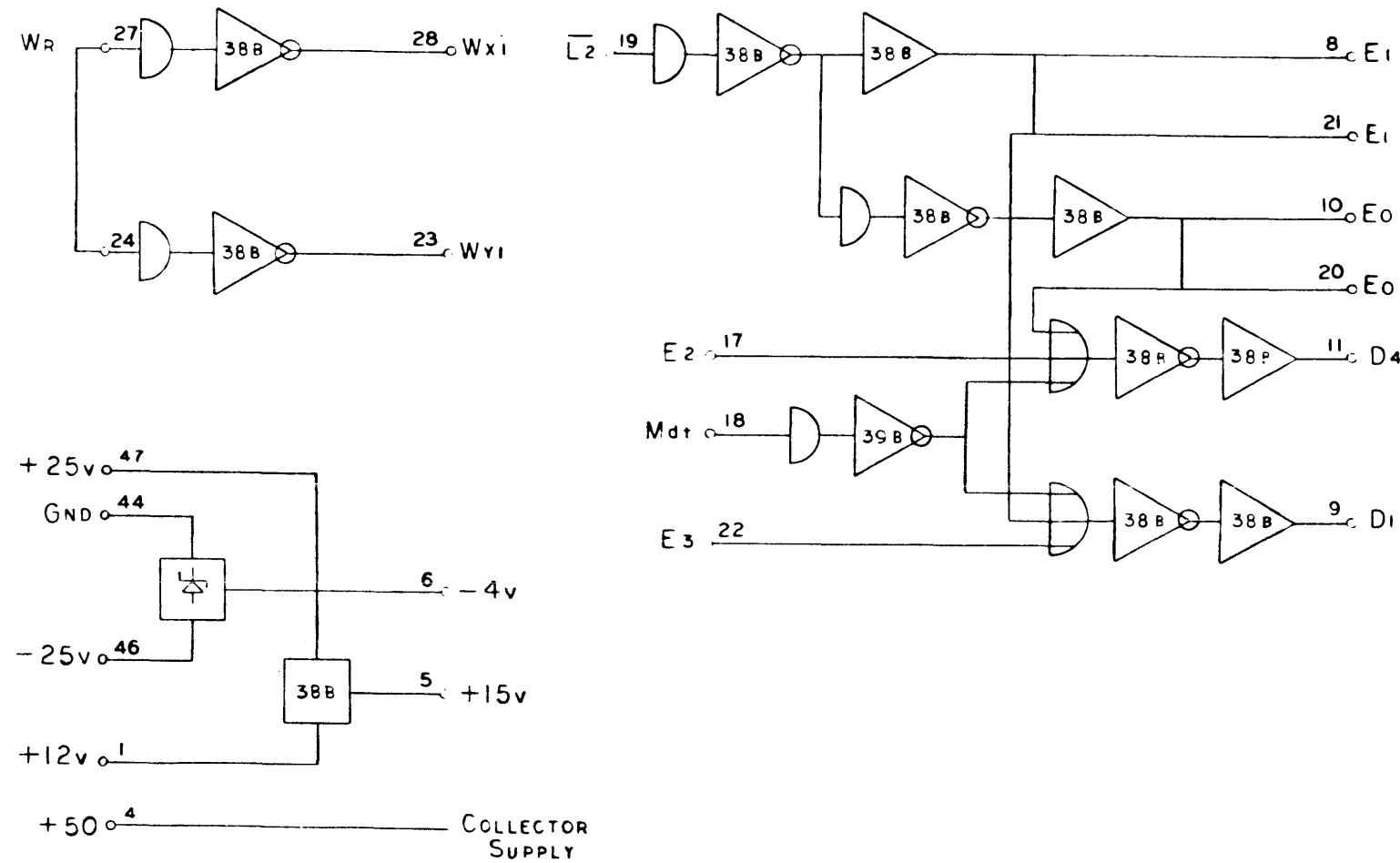


Sense Amplifier  
&  
Discriminator  
Page 135

101701 A

NO. REV.	DRAWING NO.	DESCRIPTION	REFERENCE DESIGNATION	ITEM NO.
MATERIAL LIST				
NOTES UNLESS SPECIFIED		DRAWN	<b>SDS</b> SCIENTIFIC DATA SYSTEMS	
1. TOLERANCES XX ± .000 ANGULAR XXX ± .010		CHECK	1425 FIFTEENTH STREET SANTA MONICA, CALIFORNIA	
2. BREAK ALL SHARP EDGES 0.10 APPROX		APPR	TITLE	
3. HATCH SURFACES 4. ALL DIM. IN INCHES			DIAGRAM LOGIC COMPUTER	
MODEL NO.	920		SIZE	DWG NO.
NEXT ASSY.			D	101701
				A
			SCALE	DO NOT SCALE DRAWING SHEET

REVISIONS		101701		C
REV	DESCRIPTION	CHK	DATE	APPR
C	SEE REV. E.O.		1/17	

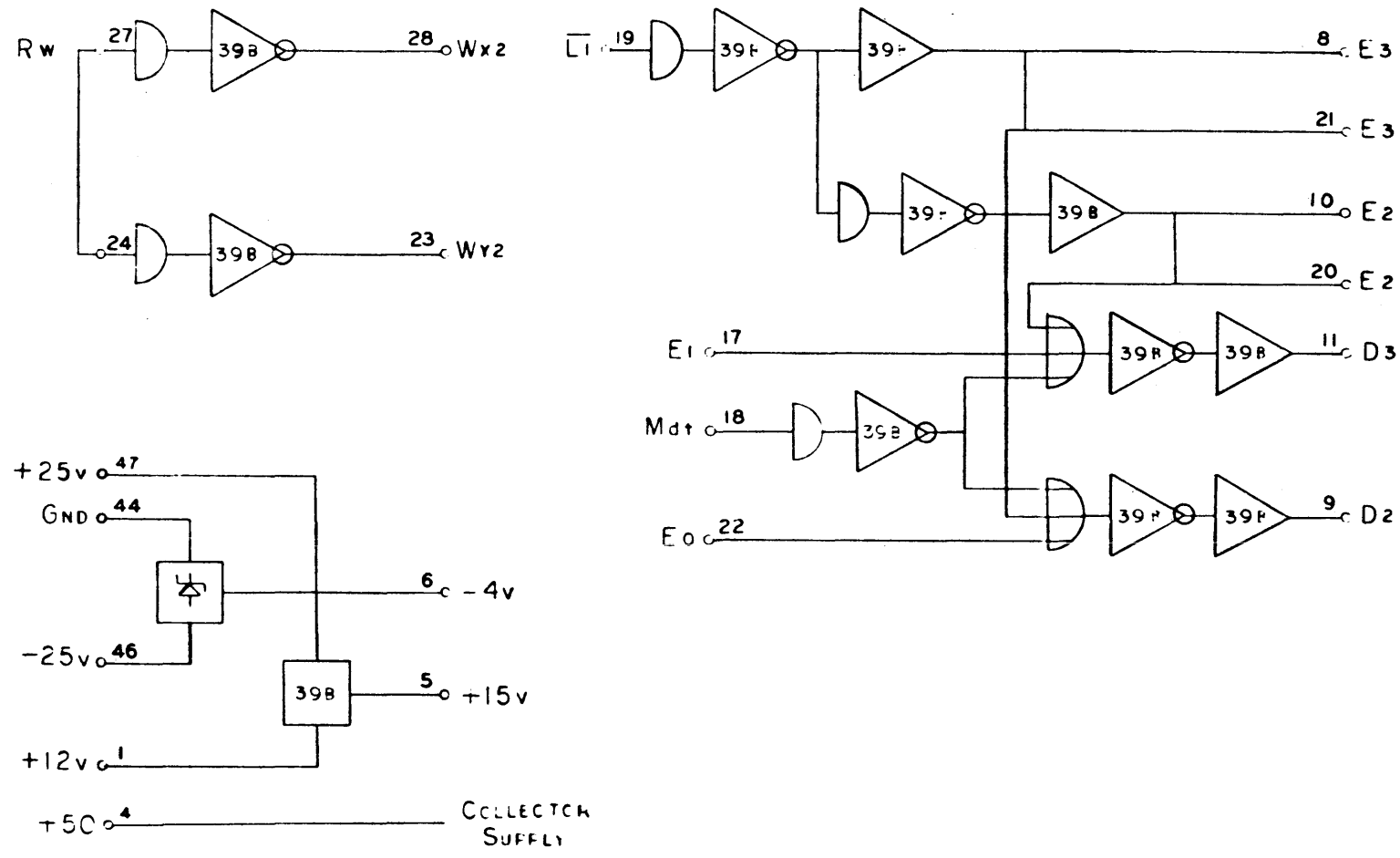


HK55  
Selector Control  
910-920  
Page 136  
C

NO. REV.	DRAWING NO.	DESCRIPTION	REFERENCE DESIGNATION	ITEM NO.
NOTES UNLESS SPECIFIED		MATERIAL LIST		
1. TOLERANCES XX - 0.00 ANGULAR XXX - 0.010 2.5'		DRAWN SFT 1/5/63	SDS SCIENTIFIC DATA SYSTEMS 1922 FIFTEENTH STREET SANTA MONICA CALIFORNIA	
2. BREAK ALL SHARP EDGES 3/16 APPROX		CHECK SFT 1/7/63	TITLE DIAGRAM, LOGIC COMPUTER	
3. HATCH SURFACES ✓		APPR SFT 1/8/63	MODEL NO. 920	
4. ALL DIM. IN INCHES			SIZE D	DWG NO. 101701
NEXT ASSY.			SCALE	C
			DO NOT SCALE DRAWINGS	SHEET

101701 | C |

REV		REVISIONS			101701		C
REV	DESCRIPTION	CHK	DATE	APPROVED			
C	SEE REV. E.O.	JW	1/17	AK			

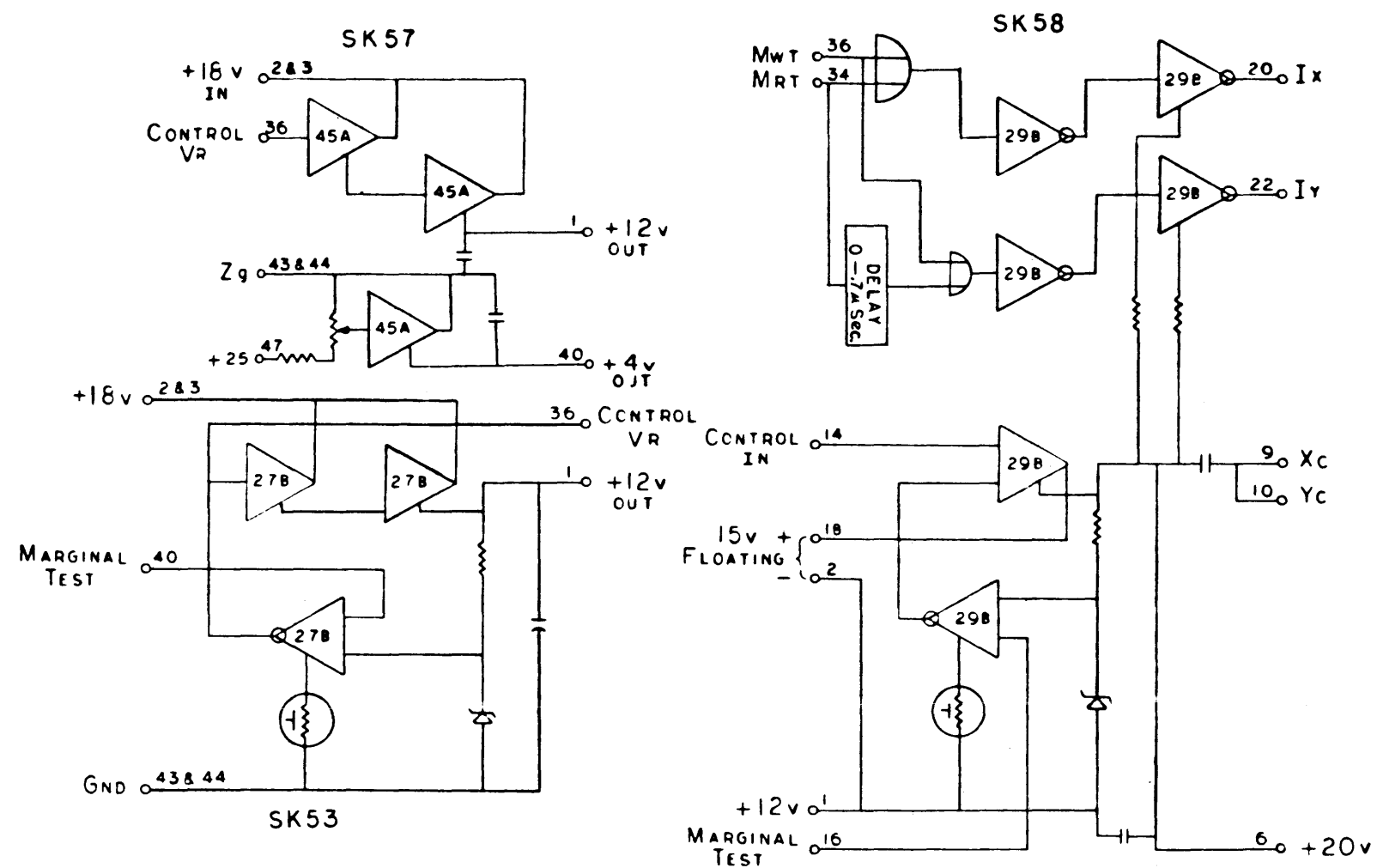


HK55  
Selector Control  
910-920  
Page 137  
C

101701 | C |

NO. REQ.	DRAWING NO.	DESCRIPTION	REFERENCE DESIGNATION	ITEM NO.
MATERIAL LIST				
NOTES UNLESS SPECIFIED		DRAWN: DKT	DATE: 1/18/63	<div style="text-align: center;"> <p>1945 FIFTEENTH STREET SANTA MONICA, CALIFORNIA</p> <p><b>DIAGRAM, LOGIC COMPUTER</b></p> </div>
1. TOLERANCES AS ± 0.000 ANGULAR SEE ± 0.10 2 1/2°		CHECK: [Signature]	DATE: 1/15/63	
2. BREAK ALL SHARP EDGES 0.10 APPROX		APPR: [Signature]	DATE: 1/18/63	
3. HATCH SURFACES ✓				
4. ALL DIMS. IN INCHES				
MODEL NO.	920	SIZE	DWG NO.	C
NEXT ASSY.		SCALE	DO NOT SCALE DRAWING	SHEET

REVISIONS				101701	D
REV	DESCRIPTION	CHK	DATE	APPROVED	
A	RELEASED TO MFG	SD	1/13	Kutner	
D	SEE REV. E.O.	DOT	1/13	SD	



Current & Voltage Regulator  
 910 - 920  
 Page 138  
 D

NO	DRAWING NO.	DESCRIPTION	REFERENCE DESIGNATION	REV
MATERIAL LIST				
NOTES UNLESS SPECIFIED		DRAWN	SDS SCIENTIFIC DATA SYSTEMS	
1. TOLERANCES 25 ± .000 ANGULAR 300 ± .010 ± .010		CHECK	12/10/67	
2. BREAK ALL SHARP EDGES AND APPROX.		APPR	1/12/68	
3. HATCH SURFACES ✓		TITLE DIAGRAM, LOGIC COMPUTER		
4. ALL DIM. IN DECIMALS				
MODEL NO.	920	REV	D	D
NEXT ASSY		DWG NO.	101701	D
SCALE		DO NOT SCALE DRAWING		SHEET

101701 | D



PIN LOCATOR

LOC	1	LOC	2	LOC	3	LOC	4	LOC	5	LOC	6	LOC	7	LOC	8	LOC	9	LOC	10	LOC	11	LOC	12	LOC	13	
PIN	PAGE	PIN	PAGE	PIN	PAGE	PIN	PAGE	PIN	PAGE	PIN	PAGE	PIN	PAGE	PIN	PAGE	PIN	PAGE	PIN	PAGE	PIN	PAGE	PIN	PAGE	PIN	PAGE	
1	45	1		1	58	1	66	1	47	1	46	1	46	1		1	37	1	34	1	44	1	52	1	58	
2		2	45	2		2		2		2		2	46	2	2	2	80	2	30	2		2		2	54	
3		3	↓	3	45	3		3		3		3	47	3	3		3	37	3		3	52	3	58		
4		4	↓	4	↓	4		4		4		4	↓	4	4		4	↓	4	↓	4	↓	4	↓	↓	
5		5	↓	5	↓	5		5		5		5	↓	5	5		5	↓	5		5	52	5	↓	↓	
6		6	↓	6	↓	6		6		6		6	↓	6	6		6	↓	6	↓	6	↓	6	↓	↓	
7	↓	7	45	7	101	7		7	↓	7		7	↓	7	7		7	69	7	42, 34, 30	7	↓	7	52 & 53	7	54
8	66	8	↓	8	↓	8		8	46	8		8	46	8	8		8	42	8	44	8	53	8			
9		9	↓	9	↓	9		9	↓	9		9	↓	9	9		9	↓	9	↓	9	↓	9	↓	↓	
10		10		10		10		10		10		10	↓	10	10		10	↓	10	↓	10	↓	10	↓	↓	
11		11	45	11		11		11		11		11	47	11		11		11	34	11	↓	11		11		
12		12	↓	12	↓	12		12	↓	12		12	↓	12	12		12	↓	12		12	101	12	↓	↓	
13		13	↓	13	↓	13		13	↓	13		13	↓	13	13		13	↓	13		13	101	13	↓	↓	
14	↓	14		14		14		14	↓	14		14	↓	14	14		14		14	30	14	80	14	52	14	
15	45	15	47	15	↓	15		15	47	15		15	↓	15	15		15	↓	15		15	80	15	↓	↓	
16		16	↓	16	↓	16		16	↓	16		16	↓	16	16		16	↓	16	↓	16	52	16	↓	↓	
17		17	↓	17	66	17		17	↓	17	47	17	↓	17	17		17	54	17	65	17	↓	17	↓	58	
18		18		18		18		18	↓	18		18	↓	18	18		18	↓	18	↓	18	↓	18	↓	↓	
19		19	45	19		19		19	↓	19		19	↓	19	19		19	↓	19	↓	19	↓	19	↓	↓	
20		20		20		20		20	↓	20		20	↓	20	20		20	↓	20	↓	20	↓	20	↓	↓	
21		21		21		21		21	46 & 47	21		21	↓	21	21		21	↓	21	↓	21	↓	21	↓	↓	
22		22		22		22		22	↓	22		22	↓	22	22		22	↓	22	↓	22	53	22	↓	↓	
23		23		23		23		23	↓	23		23	↓	23	23		23	↓	23	↓	23	↓	23	↓	↓	
24		24		24		24		24	↓	24		24	↓	24	24		24	↓	24	↓	24	↓	24	↓	↓	
25		25		25		25		25	↓	25		25	↓	25	25		25	↓	25	↓	25	52	25	↓	↓	
26		26		26		26		26	↓	26		26	47	26		26		26	56 & 57	26	↓	26	↓	26	53	
27	↓	27		27		27		27	↓	27		27	↓	27	27		27	↓	27	↓	27	↓	27	↓	↓	
28	115	28		28		28		28	↓	28		28	↓	28	28		28	↓	28	↓	28	46	28	↓	↓	
29		29		29		29		29	↓	29		29	↓	29	29		29	↓	29	↓	29	↓	29	↓	↓	
30		30		30		30		30	↓	30		30	↓	30	30		30	↓	30	↓	30	↓	30	↓	↓	
31	45 & 115	31		31		31		31	↓	31		31	↓	31	31		31	↓	31	56	31	101	31	↓	↓	
32	45	32		32		32		32	↓	32		32	↓	32	32		32	↓	32	↓	32	101	32	↓	↓	
33		33		33	↓	33		33	↓	33		33	↓	33	33		33	↓	33	↓	33	30	33	↓	↓	
34		34		34	45 & 101	34		34	46	34		34	46 & 47	34		34	38, 21, 44	34	56, 57, 66	34	44	34	↓	34	54	
35		35		35	45	35		35	↓	35		35	47	35		35	21	35	66	35	84	35	↓	35	↓	
36		36		36	↓	36		36	↓	36		36	↓	36	36		36	↓	36	↓	36	44	36	↓	↓	
37		37		37	↓	37		37	↓	37		37	↓	37	37		37	↓	37	↓	37	30	37	↓	↓	
38		38		38	101	38		38	↓	38		38	46	38		38	44	38	57	38	84	38	↓	38	↓	
39		39		39	↓	39		39	↓	39		39	↓	39	39		39	↓	39	↓	39	59	39	↓	↓	
40		40		40	↓	40		40	↓	40		40	↓	40	40		40	↓	40	↓	40	101	40	↓	↓	
41	↓	41		41	↓	41		41	↓	41		41	47	41		41	38	41	56	41	101	41	↓	41	↓	
42		42		42	↓	42		42	↓	42		42	↓	42	42		42	↓	42	↓	42	59	42	↓	↓	
43		43	↓	43	↓	43		43	↓	43		43	↓	43	43		43	↓	43	↓	43	59	43	↓	↓	
44		44		44		44		44	↓	44		44	↓	44	44		44	↓	44	↓	44	↓	44	↓	↓	
45		45		45		45		45	↓	45		45	↓	45	45		45	↓	45	↓	45	↓	45	↓	↓	
46		46		46		46		46	↓	46		46	↓	46	46		46	↓	46	↓	46	↓	46	↓	↓	
47		47		47		47		47	↓	47		47	↓	47	47		47	↓	47	↓	47	↓	47	↓	↓	

ROW A

PIN LOCATOR

LOC	14	LOC	15	LOC	16	LOC	17	LOC	18	LOC	19	LOC	20	LOC	21	LOC	22	LOC	23	LOC	24	LOC	25	LOC
PIN	PAGE	PIN	PAGE	PIN	PAGE	PIN	PAGE	PIN	PAGE	PIN	PAGE	PIN	PAGE	PIN	PAGE	PIN	PAGE	PIN	PAGE	PIN	PAGE	PIN	PAGE	
1	54	1		1	55	1		1	57	1		1	59	1		1	61	1	62	1		1	63	1
2		2		2		2	57	2		2		2		2		2		2		2		2		2
3		3	55	3		3		3		3	57	3		3	59	3		3		3	60	3		3
4		4		4		4		4		4		4		4		4		4		4		4		4
5		5		5		5		5		5		5		5		5		5		5		5		5
6		6		6		6		6		6		6		6		6		6		6		6		6
7		7	54	7		7	57	7		7	57 & 59	7		7	61 & 60	7		7		7	63	7		7
8		8		8		8		8		8	59	8		8	61	8		8		8		8	59	8
9		9		9		9		9		9		9		9		9		9		9		9		9
10		10		10		10	56	10		10		10		10		10		10		10		10		10
11		11		11		11		11		11		11		11		11		11		11		11	63 & 59	11
12		12		12		12		12		12		12		12		12		12		12		12	63	12
13		13		13		13		13		13		13		13		13		13		13		13		13
14		14		14		14		14		14	57	14		14	60	14		14		14	62	14		14
15		15		15		15	56	15		15		15		15		15		15		15		15		15
16		16		16		16		16		16		16		16		16		16		16		16		16
17		17	55	17		17		17		17	58	17		17	59	17		17		17		17		17
18		18		18		18		18		18		18		18		18		18		18		18		18
19		19		19		19	57	19		19		19		19		19		19		19		19		19
20		20		20		20		20		20		20		20		20		20		20		20		20
21	53 & 54	21		21		21		21	56 & 57	21		21	58 & 59	21		21	60 & 61	21		21		21		21
22	53	22		22		22		22	56	22		22	58	22		22	60	22		22		22		22
23		23		23		23	56	23		23		23		23		23		23		23		23		23
24		24		24		24		24		24		24		24		24		24		24		24		24
25		25		25		25		25		25		25		25		25		25		25		25		25
26		26		26		26		26		26		26	59 & 60	26		26		26		26	60	26		26
27		27		27		27		27		27		27	59	27		27		27		27		27		27
28		28		28		28	57	28		28		28		28		28		28	60	28		28		28
29		29		29		29		29		29		29		29		29		29		29		29		29
30		30		30		30		30		30		30		30		30		30		30		30		30
31		31		31		31		31		31		31		31	60	31		31	60 & 62	31		31		31
32		32		32		32		32		32		32		32		32		32	60	32		32		32
33		33		33		33		33		33		33		33		33		33	62	33		33		33
34		34	54 & 55	34		34		34		34	57 & 62	34		34	56, 57, 59	34		34		34	62 & 63	34		34
35		35	55	35		35		35	56	35	57	35		35	59	35		35		35	62	35		35
36		36		36		36		36		36		36		36		36		36		36		36		36
37		37		37		37		37		37		37		37		37		37		37		37		37
38		38		38		38		38		38		38		38	56	38		38		38		38		38
39		39		39		39		39		39		39		39		39		39		39		39		39
40		40		40		40		40		40		40		40		40		40		40		40		40
41		41	54	41		41		41		41	62	41		41	57	41		41		41	63	41		41
42		42		42		42		42		42		42		42		42		42		42		42		42
43		43		43		43		43		43		43		43		43		43		43		43		43
44		44		44		44		44		44		44		44		44		44		44		44		44
45		45		45		45		45		45		45		45		45		45		45		45		45
46		46		46		46		46		46		46		46		46		46		46		46		46
47		47		47		47		47		47		47		47		47		47		47		47		47

ROW  
A



PIN LOCATOR

LOC	26	LOC	27	LOC	28	LOC	29	LOC	30	LOC	31	LOC	32	LOC	33	LOC	34	LOC	35	LOC	36	LOC	37	LOC	38
PIN	PAGE	PIN	PAGE	PIN	PAGE	PIN	PAGE	PIN	PAGE	PIN	PAGE	PIN	PAGE	PIN	PAGE	PIN	PAGE	PIN	PAGE	PIN	PAGE	PIN	PAGE	PIN	PAGE
1		1	15	1	2	1	2	1	3	1	3	1	4	1	4	1	5	1	5	1	1	1	6	1	6
2	15	2	15	2		2		2		2		2		2		2		2		2		2		2	
3	1	3	1	3		3		3		3		3		3		3		3		3		3		3	
4		4		4		4		4		4		4		4		4		4		4		4		4	
5		5		5	14	5		5		5		5		5		5		5		5	14	5		5	
6		6		6	14	6		6		6		6		6		6		6		6	14	6		6	
7		7	15	7	14	7		7		7		7		7		7		7		7	14	7		7	
8		8		8		8		8	14	8		8	10	8	10	8	10	8	10	8	11	8	9	8	9
9		9		9		9		9		9		9		9		9		9		9		9		9	
10		10		10	12	10		10		10		10		10		10		10		10		10		10	
11		11		11		11		11		11		11		11		11		11		11		11		11	
12		12		12		12		12		12		12		12		12		12		12		12		12	
13		13		13		13		13		13		13		13		13		13		13		13		13	
14		14		14		14		14		14		14		14		14		14		14		14		14	
15		15		15		15	2	15	3	15	3	15	4	15	4	15	5	15	5	15		15	6	15	6
16		16		16	13	16		16		16		16		16		16		16		16		16		16	
17		17	13	17	13	17		17		17		17		17		17		17		17		17		17	
18		18		18	13	18		18		18		18		18		18		18		18		18		18	
19		19		19	1	19		19		19		19		19		19		19		19	1	19		19	
20		20		20	1	20		20		20		20		20		20		20		20	1	20		20	
21		21		21	1	21		21		21		21		21		21		21		21	1	21		21	
22		22		22		22		22		22		22		22		22		22		22		22		22	
23		23		23		23		23		23		23		23		23		23		23		23		23	
24		24		24		24		24		24		24		24		24		24		24		24		24	
25		25		25	1	25		25		25		25		25		25		25		25	15	25		25	
26		26		26	1	26		26		26		26		26		26		26		26	15	26		26	
27		27		27	1	27		27		27		27		27		27		27		27	15	27		27	
28		28		28	13	28	13	28	14	28	10	28	10	28	10	28	10	28	10	28	14	28	9	28	9
29		29		29	13	29		29		29		29		29		29		29		29	14	29		29	
30		30		30	13	30		30		30		30		30		30		30		30	14	30		30	
31		31		31		31		31		31		31		31		31		31		31	12	31		31	
32		32		32		32		32		32		32		32		32		32		32		32		32	
33		33		33	12	33		33		33		33		33		33		33		33		33		33	
34		34	1, 14	34	14	34		34		34		34		34		34		34		34		34		34	
35		35	1	35	12	35	2	35	3	35	3	35	4	35	4	35	5	35	5	35		35	6	35	6
36		36	1	36	14	36		36		36		36		36		36		36		36		36		36	
37		37	1	37	12	37		37		37		37		37		37		37		37		37		37	
38		38	14	38	12	38		38		38		38		38		38		38		38		38		38	
39		39		39	12	39		39		39		39		39		39		39		39		39		39	
40		40		40	13	40		40		40		40		40		40		40		40		40		40	
41		41		41	13	41		41		41		41		41		41		41		41		41		41	
42		42		42	12	42		42		42		42		42		42		42		42		42		42	
43		43		43	1	43		43		43		43		43		43		43		43		43		43	
44		44		44		44		44		44		44		44		44		44		44		44		44	
45		45		45		45		45		45		45		45		45		45		45		45		45	
46		46		46		46		46		46		46		46		46		46		46		46		46	
47		47		47		47		47		47		47		47		47		47		47		47		47	

ROW  
A

PIN LOCATOR

LOC	39	LOC	40	LOC	41	LOC	42	LOC	43	LOC	44	LOC	45	LOC	LOC	LOC	LOC	LOC	LOC	LOC	LOC	LOC	LOC	LOC	LOC
PIN	PAGE	PIN	PAGE	PIN	PAGE	PIN	PAGE	PIN	PAGE	PIN	PAGE	PIN	PAGE	PIN	PAGE	PIN	PAGE	PIN	PAGE	PIN	PAGE	PIN	PAGE	PIN	PAGE
1	7	1	1	1	7	1	8	1	8	1		1		1		1		1		1		1		1	
2		2		2		2		2		2		2		2		2		2		2		2		2	
3		3		3		3		3		3		3		3		3		3		3		3		3	
4		4		4		4		4		4		4		4		4		4		4		4		4	
5		5		5		5		5		5		5		5		5		5		5		5		5	
6		6		6		6		6		6		6		6		6		6		6		6		6	
7		7		7		7		7		7		7		7		7		7		7		7		7	
8	9	8	11	8	9	8	9	8	9	8		8		8		8		8		8		8		8	
9		9		9		9		9		9		9		9		9		9		9		9		9	
10		10		10		10		10		10		10		10		10		10		10		10		10	
11		11		11		11		11		11		11		11		11		11		11		11		11	
12		12		12		12		12		12		12		12		12		12		12		12		12	
13		13		13		13		13		13		13		13		13		13		13		13		13	
14		14		14		14		14		14		14		14		14		14		14		14		14	
15	7	15		15	7	15	8	15	8	15		15		15		15		15		15		15		15	
16		16		16		16		16		16		16		16		16		16		16		16		16	
17		17		17		17		17		17		17		17		17		17		17		17		17	
18		18		18		18		18		18		18		18		18		18		18		18		18	
19		19	15	19		19		19		19		19		19		19		19		19		19		19	
20		20	15	20		20		20		20		20		20		20		20		20		20		20	
21		21	15	21		21		21		21		21		21		21		21		21		21		21	
22		22		22		22		22		22		22		22		22		22		22		22		22	
23		23		23		23		23		23		23		23		23		23		23		23		23	
24		24		24		24		24		24		24		24		24		24		24		24		24	
25		25	15	25		25		25		25		25		25		25		25		25		25		25	
26		26	15	26		26		26		26		26		26		26		26		26		26		26	
27		27	15	27		27		27		27		27		27		27		27		27		27		27	
28	9	28	14	28	9	28	9	28	9	28		28		28		28		28		28		28		28	
29		29	14	29		29		29		29		29		29		29		29		29		29		29	
30		30	14	30		30		30		30		30		30		30		30		30		30		30	
31		31	11	31		31		31		31		31		31		31		31		31		31		31	
32		32		32		32		32		32		32		32		32		32		32		32		32	
33		33		33		33		33		33		33		33		33		33		33		33		33	
34		34		34		34		34		34		34		34		34		34		34		34		34	
35	7	35		35	7	35	8	35	8	35		35		35		35		35		35		35		35	
36		36		36		36		36		36		36		36		36		36		36		36		36	
37		37		37		37		37		37		37		37		37		37		37		37		37	
38		38		38		38		38		38		38		38		38		38		38		38		38	
39		39		39		39		39		39		39		39		39		39		39		39		39	
40		40		40		40		40		40		40		40		40		40		40		40		40	
41		41		41		41		41		41		41		41		41		41		41		41		41	
42		42		42		42		42		42		42		42		42		42		42		42		42	
43		43	1	43		43		43		43		43		43		43		43		43		43		43	
44		44		44		44		44		44		44		44		44		44		44		44		44	
45		45		45		45		45		45		45		45		45		45		45		45		45	
46		46		46		46		46		46		46		46		46		46		46		46		46	
47		47		47		47		47		47		47		47		47		47		47		47		47	

ROW  
A

PIN LOCATOR

LOC	1	LOC	2	LOC	3	LOC	4	LOC	5	LOC	6	LOC	7	LOC	8	LOC	9	LOC	10	LOC	11	LOC	12	LOC	13
PIN	PAGE	PIN	PAGE	PIN	PAGE	PIN	PAGE	PIN	PAGE	PIN	PAGE	PIN	PAGE	PIN	PAGE	PIN	PAGE	PIN	PAGE	PIN	PAGE	PIN	PAGE	PIN	PAGE
1	34	1	35	1	36	1	99	1	36	1	42	1	110	1	39	1	65	1	86	1	86	1	86	1	111
2		2		2		2		2		2		2		2		2		2		2		2		2	
3		3		3		3	37	3		3	44	3		3		3	86	3	65	3		3	111	3	48
4		4		4		4		4		4		4		4		4		4		4		4		4	
5		5		5		5		5	38	5		5	21	5	44	5		5		5	115	5		5	
6		6		6		6		6		6		6		6		6		6		6		6		6	
7		7		7		7	45, 38, 42	7		7	42, 110	7		7		7	65 & 86	7	86	7		7	48	7	48 & 69
8	39	8		8		8	42	8	78	8	42	8	77	8	79	8	86	8	86	8	8	74	8	8	69
9		9		9		9		9	78	9		9	77	9	79	9		9		9	74	9		9	
10		10		10		10		10	38	10		10	39	10	39	10		10		10	34	10		10	
11	34 & 39	11		11	36 & 37	11	38	11	38	11		11	39	11		11	65	11		11	34	11		11	48
12	34	12		12	37	12		12	64	12		12	44	12		12		12		12	37	12		12	
13		13		13		13		13	64	13		13	44	13		13		13		13	37	13		13	
14		14		14		14	45	14	38	14	110	14	72	14	80	14		14		14	75	14		14	
15		15		15	36	15		15	38	15	110	15	72	15	80	15		15		15	75	15		15	
16		16		16		16		16	37	16	110	16	110	16	38	16		16		16	39	16		16	
17		17		17		17	38	17		17	65	17		17		17	39	17	67	17		17	67	17	
18		18		18		18		18		18		18		18		18		18		18		18		18	
19		19		19		19		19	86	19		19	86	19	65	19		19		19	52	19		19	
20		20		20		20		20		20		20		20		20		20		20		20		20	
21		21		21		21		21		21		21		21		21		21		21		21		21	
22		22		22		22		22	58	22		22	47	22	81	22		22		22	59	22		22	
23		23		23		23		23		23		23		23		23		23		23		23		23	
24		24		24		24		24		24		24		24		24		24		24		24		24	
25		25		25		25		25	86	25		25	86	25	65	25		25		25	48	25		25	
26		26		26		26	86 & 99	26		26	44	26		26		26		26	65	26		26		26	39
27		27		27		27	99	27		27		27		27		27		27		27		27		27	
28		28		28		28		28	37	28		28	42	28	42	28		28		28	67	28		28	
29		29		29	86	29		29		29		29		29		29		29		29		29		29	
30		30		30		30		30		30		30		30		30		30		30		30		30	
31		31		31		31	86	31	81	31		31	77	31	44	31		31		31	86	31		31	
32		32		32		32		32	81	32		32	77	32		32		32		32		32		32	
33		33		33		33		33	99	33		33	81	33		33		33		33		33		33	
34		34		34		34	37	34	38	34		34	76	34	111	34	65	34		34	43	34	48	34	48
35		35		35	36	35		35	81	35		35	44	35	101	35		35		35	75	35		35	
36		36		36		36		36	36	36		36	76	36	111	36		36		36	43	36		36	
37		37		37		37		37	99	37		37	81	37	44	37		37		37	86	37		37	
38		38		38		38		38	81	38		38	44	38	101	38		38		38	75	38		38	
39		39		39		39		39	58	39		39	44	39	111	39		39		39	56	39		39	
40		40		40		40		40	38	40		40	80	40	44	40		40		40	57	40		40	
41		41		41		41		41	38	41		41	80	41	44	41		41		41	57	41		41	
42		42		42		42		42	58	42		42	44	42	111	42		42		42	56	42		42	
43		43		43		43		43		43		43	86	43	110	43		43		43	86	43		43	
44		44		44		44		44		44		44		44		44		44		44		44		44	
45		45		45		45		45		45		45		45		45		45		45		45		45	
46		46		46		46		46		46		46		46		46		46		46		46		46	
47		47		47		47		47		47		47		47		47		47		47		47		47	

ROW B

PIN LOCATOR

LOC	14	LOC	15	LOC	16	LOC	17	LOC	18	LOC	19	LOC	20	LOC	21	LOC	22	LOC	23	LOC	24	LOC	25	LOC
PIN	PAGE	PIN	PAGE	PIN	PAGE	PIN	PAGE	PIN	PAGE	PIN	PAGE	PIN	PAGE	PIN	PAGE	PIN	PAGE	PIN	PAGE	PIN	PAGE	PIN	PAGE	
1	76	1	60	1	73	1	61	1	74	1	62	1	76	1	62	1	79	1	63	1	80	1	63	1
2	↓	2	↓	2		2	↓	2		2	↓	2		2	↓	2		2	↓	2		2	↓	2
3	↓	3	↓	3		3	↓	3		3	↓	3		3	↓	3		3	↓	3		3	↓	3
4	53	4	55	4		4	56	4		4	57	4		4	61	4		4	62	4		4	63	4
5		5		5		5		5		5		5		5		5		5		5		5		5
6		6		6		6		6		6		6		6		6		6		6		6		6
7		7		7		7		7		7		7		7		7		7		7		7		7
8		8		8		8		8		8		8		8		8		8		8		8		8
9		9		9		9		9		9		9		9		9		9		9		9		9
10		10		10		10		10		10		10		10		10		10		10		10		10
11		11		11		11		11		11		11		11		11		11		11		11		11
12		12		12		12		12		12		12		12		12		12		12		12		12
13		13		13		13		13	↓	13		13		13		13		13		13	↓	13		13
14		14		14		14		14	75	14		14		14		14		14		14	81	14		14
15	↓	15	↓	15		15	↓	15		15	↓	15		15	↓	15		15	↓	15		15	↓	15
16	48	16	49	16		16	49	16		16	50	16		16	50	16		16	51	16		16	51	16
17		17		17		17		17		17		17		17		17		17		17		17		17
18		18		18		18		18		18		18		18		18		18		18		18		18
19		19		19		19		19		19		19		19		19		19		19		19		19
20		20		20		20		20		20		20		20		20		20		20		20		20
21		21		21		21		21		21		21		21		21		21		21		21		21
22		22		22		22		22		22		22		22		22		22		22		22		22
23		23		23		23		23		23		23		23		23		23		23		23		23
24		24		24		24		24		24		24		24		24		24		24		24		24
25		25		25		25		25		25		25		25		25		25		25		25		25
26		26		26	↓	26		26		26		26		26		26		26		26		26		26
27		27		27		27		27		27		27	77	27		27	80	27		27		27		27
28		28		28		28		28		28		28		28		28		28		28		28		28
29		29		29	74	29		29		29		29		29		29		29		29		29		29
30		30		30		30		30		30		30		30		30		30		30		30		30
31		31		31		31		31		31		31		31		31		31		31		31		31
32		32		32		32		32	↓	32		32	↓	32		32	↓	32		32	↓	32		32
33		33		33		33		33		33		33		33		33		33		33		33		33
34		34		34		34		34	75	34		34	77	34		34	80	34		34	81	34		34
35		35		35		35		35		35		35		35		35		35		35		35		35
36	↓	36	↓	36		36	↓	36		36	↓	36		36	↓	36		36	↓	36		36	↓	36
37	53	37	55	37		37	56	37		37	57	37		37	61	37		37	62	37		37	63	37
38		38		38		38		38		38		38		38		38		38		38		38		38
39		39		39		39		39		39		39		39		39		39		39		39		39
40		40		40		40		40	↓	40		40	↓	40		40	↓	40		40	↓	40		40
41	↓	41	↓	41		41	↓	41	74 & 75	41	↓	41	77 & 76	41	↓	41	79 & 80	41	↓	41	80 & 81	41	↓	41
42		42		42		42		42		42		42		42		42		42		42		42		42
43		43		43	↓	43		43	↓	43		43	↓	43		43	↓	43		43	↓	43		43
44		44		44		44		44		44		44		44		44		44		44		44		44
45		45		45		45		45		45		45		45		45		45		45		45		45
46		46		46		46		46		46		46		46		46		46		46		46		46
47		47		47		47		47		47		47		47		47		47		47		47		47

ROW  
B

PIN LOCATOR

LOC	1	LOC	2	LOC	3	LOC	4	LOC	5	LOC	6	LOC	7	LOC	8	LOC	9	LOC	10	LOC	11	LOC	12	LOC	13
PIN	PAGE	PIN	PAGE	PIN	PAGE	PIN	PAGE	PIN	PAGE	PIN	PAGE	PIN	PAGE	PIN	PAGE	PIN	PAGE	PIN	PAGE	PIN	PAGE	PIN	PAGE	PIN	PAGE
1		1	40	1		1	41	1		1	67	1	68	1	68	1	81	1		1	69	1	70	1	71
2		2		2		2		2		2	↓	2		2	69	2	68	2	69	2	↓	2		2	
3		3		3	40	3		3	41	3	↓	3		3		3	69	3	↓	3		3		3	
4		4		4	↓	4		4		4	↓	4		4		4		4	↓	4		4		4	
5		5		5	↓	5		5		5	68	5		5		5		5	↓	5	70	5		5	
6		6		6	↓	6		6		6	↓	6		6		6		6	↓	6	70	6		6	
7		7		7	41	7		7		7	↓	7		7		7		7	69	7	↓	7		7	
8		8		8		8		8		8	34	8		8		8		8		8	69	8		8	
9		9		9		9		9		9	34	9		9		9		9		9	69 & 70	9		9	
10		10		10		10		10		10	43	10		10		10		10		10	70	10		10	
11		11		11		11		11		11	↓	11		11		11		11		11	↓	11		11	
12		12		12		12		12		12	↓	12		12		12		12		12	↓	12		12	
13		13		13		13		13		13	↓	13		13	↓	13		13		13	69 & 70	13	↓	13	
14		14		14		14		14		14	↓	14		14	68	14		14		14	69	14	71	14	
15		15		15	↓	15		15		15	↓	15		15	68	15		15		15		15		15	
16		16		16	↓	16		16	↓	16		16	↓	16		16		16		16	69	16		16	
17		17		17	40	17		17	43	17	↓	17	69	17	↓	17		17		17		17		17	
18		18		18		18		18		18	↓	18		18	69	18		18		18		18		18	
19		19		19		19		19		19	67	19		19		19		19		19		19		19	
20		20		20		20		20		20	↓	20		20		20		20		20		20		20	
21		21		21		21		21		21	↓	21		21		21		21		21		21		21	
22		22		22		22		22		22	36	22		22		22		22		22		22		22	
23		23		23		23		23		23	↓	23		23		23		23		23		23		23	
24		24		24		24		24		24	↓	24		24		24		24		24		24		24	
25		25		25		25		25		25	68	25		25		25		25		25	↓	25		25	
26		26		26		26		26		26	↓	26		26		26		26		26	69 & 70	26	↓	26	
27		27		27		27		27		27	↓	27		27		27		27		27	70	27	70	27	
28		28		28		28		28		28	44	28		28		28		28		28	70	28		28	
29		29		29		29		29		29	↓	29		29		29		29		29	69 & 70	29		29	
30		30		30		30		30		30	↓	30		30		30		30		30	70	30		30	
31		31	40 & 41	31		31		31		31	41	31		31		31		31		31		31		31	
32		32	41	32		32		32		32	41	32		32		32		32		32		32	↓	32	
33		33		33		33		33		33	43	33		33		33		33		33		33		33	
34		34		34	43	34		34		34	43	34		34	68	34		34		34		34	70	34	
35		35		35		35		35		35	↓	35		35		35		35		35		35		35	
36		36		36		36		36		36	43	36		36		36		36		36	↓	36		36	↓
37		37		37		37		37		37	43	37		37		37		37		37	69	37		37	71
38		38		38		38		38		38	↓	38		38		38		38		38		38		38	70 & 71
39		39		39		39		39		39	85	39		39		39		39		39		39		39	70
40		40		40		40		40		40	43	40		40		40		40		40		40		40	70
41		41	↓	41		41	↓	41		41	43	41		41		41		41		41	↓	41		41	71
42		42		42		42		42		42	85	42		42		42		42		42		42		42	
43		43		43	↓	43		43	↓	43	67	43		43	↓	43	↓	43	↓	43		43	↓	43	
44		44		44		44		44		44		44		44		44		44		44		44		44	
45		45		45		45		45		45		45		45		45		45		45		45		45	
46		46		46		46		46		46		46		46		46		46		46		46		46	
47		47		47		47		47		47		47		47		47		47		47		47		47	

ROW  
C

PIN LOCATOR

LOC	14	LOC	15	LOC	16	LOC	17	LOC	18	LOC	19	LOC	20	LOC	21	LOC	22	LOC	23	LOC	24	LOC	25	LOC
PIN	PAGE	PIN	PAGE	PIN	PAGE	PIN	PAGE	PIN	PAGE	PIN	PAGE	PIN	PAGE	PIN	PAGE	PIN	PAGE	PIN	PAGE	PIN	PAGE	PIN	PAGE	
1	71	1	72	1	73	1	74	1	38	1	42	1	42	1	77	1	78	1	79	1		114	1	
2		2		2		2		2	↓	2	↓	2	↓	2		2		2		2		2	↓	2
3		3		3		3		3	↓	3	↓	3	↓	3		3		3		3		3	↓	3
4		4		4		4		4	75	4	76	4	77	4		4		4		4	80	4	81	4
5		5		5		5		5		5		5		5		5		5		5		5		5
6		6		6		6		6		6		6		6		6		6		6		6		6
7		7		7		7		7		7		7		7		7		7		7		7		7
8		8		8		8		8		8		8		8		8		8		8		8		8
9		9		9		9		9		9		9		9		9		9		9		9		9
10		10		10		10		10		10		10		10		10		10		10		10		10
11		11		11		11		11		11		11		11		11		11		11		11		11
12		12		12		12		12		12		12		12		12		12		12		12		12
13	↓	13		13		13		13		13		13		13	↓	13		13		13		13		13
14	72	14		14		14		14		14		14		14	78	14		14		14		14		14
15		15		15		15		15		15		15		15		15		15		15		15		15
16		16		16		16		16		16		16		16		16		16		16		16		16
17		17		17		17		17		17		17		17		17		17		17		17		17
18		18		18		18		18		18		18		18		18		18		18		18		18
19		19		19		19		19		19		19		19		19		19		19		19		19
20		20		20		20		20		20		20		20		20		20		20		20		20
21		21		21		21		21		21		21		21		21		21		21		21		21
22		22		22		22		22		22		22		22		22		22		22		22		22
23		23		23		23		23		23		23		23		23		23		23		23		23
24		24		24		24		24		24		24		24		24		24		24		24		24
25		25		25		25		25		25		25		25		25		25		25		25		25
26		26		26		26		26		26		26		26		26		26		26		26		26
27		27		27		27		27		27		27		27		27		27		27		27		27
28		28		28		28		28		28		28		28		28		28		28		28		28
29		29		29		29		29		29		29		29		29		29		29		29		29
30		30		30		30		30		30		30		30		30		30		30		30		30
31		31		31		31		31		31		31		31		31		31		31		31		31
32	↓	32		32	↓	32		32		32		32		32		32		32		32		32		32
33		33		33		33		33		33		33		33		33		33		33		33		33
34	72	34		34	73	34		34		34		34		34		34		34		34		34		34
35		35		35		35		35		35		35		35		35		35		35		35		35
36		36		36		36		36		36		36		36		36		36		36		36		36
37		37		37	66	37	73	37	46	37	42	37	86	37		37	92	37	92	37		37		37
38		38		38		38	73 & 81	38	59 & 46	38		38	86 & 62	38		38		38		38	115	38		38
39		39		39		39	81	39	59	39		39	62	39		39		39		39	115	39		39
40		40		40		40	81	40	59	40		40	62	40		40		40		40	115	40		40
41	↓	41	↓	41	↓	41	73	41	46	41		41	86	41	77 & 78	41		41		41		41		41
42	71 & 72	42		42		42		42		42		42		42		42		42		42		42		42
43	71 & 72	43		43		43		43		43		43		43		43		43		43		43		43
44		44		44		44		44		44		44		44		44		44		44		44		44
45		45		45		45		45		45		45		45		45		45		45		45		45
46		46		46		46		46		46		46		46		46		46		46		46		46
47		47		47		47		47		47		47		47		47		47		47		47		47

ROW  
C

PIN LOCATOR

LOC	1	LOC	2	LOC	3	LOC	4	LOC	5	LOC	6	LOC	7	LOC	8	LOC	9	LOC	10	LOC	11	LOC	12	LOC	13
PIN	PAGE	PIN	PAGE	PIN	PAGE	PIN	PAGE	PIN	PAGE	PIN	PAGE	PIN	PAGE	PIN	PAGE	PIN	PAGE	PIN	PAGE	PIN	PAGE	PIN	PAGE	PIN	PAGE
1		1	67	1	85	1	85	1	82	1	83	1	83	1		1	98	1	98	1	93	1		1	98
2		2	↓	2	↓	2	41	2	↓	2	↓	2	↓	2	↓	2	98	2	98	2	↓	2	↓	2	↓
3	100	3	↓	3	↓	3	85	3	↓	3	↓	3	↓	3	↓	3	96	3	112	3	↓	3	↓	3	↓
4		4	↓	4	↓	4	↓	4	↓	4	↓	4	↓	4	↓	4	↓	4	↓	4	↓	4	↓	4	90
5		5	100	5	99	5	↓	5	↓	5	↓	5	↓	5	↓	5	↓	5	↓	5	38	5	↓	5	↓
6		6	↓	6	↓	6	↓	6	↓	6	↓	6	↓	6	↓	6	↓	6	↓	6	↓	6	38	6	↓
7		7	↓	7	↓	7	82 & 85	7	↓	7	↓	7	↓	7	98 & 106	7	98	7	90, 96, 98	7	↓	7	↓	7	↓
8		8	84	8	↓	8	85	8	84	8	99	8	84	8	106	8	↓	8	98	8	72	8	↓	8	↓
9		9	↓	9	↓	9	↓	9	↓	9	↓	9	↓	9	↓	9	↓	9	↓	9	72	9	↓	9	↓
10		10	↓	10	↓	10	↓	10	↓	10	↓	10	↓	10	↓	10	↓	10	↓	10	97	10	↓	10	↓
11		11	↓	11	↓	11	82	11	↓	11	↓	11	↓	11	98	11	↓	11	96	11	97	11	98	11	↓
12		12	99	12	84	12	↓	12	↓	12	↓	12	↓	12	↓	12	↓	12	↓	12	93	12	↓	12	↓
13		13	↓	13	84	13	↓	13	↓	13	↓	13	↓	13	↓	13	↓	13	↓	13	93	13	↓	13	↓
14		14	↓	14	73	14	↓	14	↓	14	↓	14	↓	14	↓	14	↓	14	90	14	112	14	90	14	↓
15		15	↓	15	73	15	↓	15	82	15	83	15	83	15	↓	15	↓	15	↓	15	↓	15	97	15	↓
16	↓	16	100	16	84	16	↓	16	↓	16	↓	16	↓	16	↓	16	↓	16	↓	16	↓	16	↓	16	97
17	99	17	↓	17	↓	17	82 & 111	17	↓	17	↓	17	↓	17	38	17	↓	17	97	17	↓	17	↓	17	↓
18		18	↓	18	↓	18	82	18	↓	18	↓	18	↓	18	↓	18	↓	18	↓	18	↓	18	96	18	↓
19		19	67	19	99	19	↓	19	↓	19	↓	19	↓	19	↓	19	↓	19	↓	19	38	19	112	19	↓
20		20	↓	20	↓	20	↓	20	↓	20	↓	20	↓	20	↓	20	↓	20	↓	20	↓	20	↓	20	↓
21		21	↓	21	↓	21	↓	21	↓	21	↓	21	↓	21	↓	21	↓	21	↓	21	↓	21	↓	21	↓
22		22	114	22	↓	22	111	22	↓	22	↓	22	↓	22	↓	22	↓	22	↓	22	83	22	↓	22	↓
23		23	↓	23	↓	23	↓	23	↓	23	↓	23	↓	23	↓	23	↓	23	↓	23	↓	23	90 & 96	23	↓
24		24	↓	24	↓	24	↓	24	↓	24	↓	24	↓	24	↓	24	↓	24	↓	24	↓	24	96	24	↓
25	↓	25	100	25	↓	25	↓	25	↓	25	↓	25	↓	25	↓	25	↓	25	↓	25	38	25	↓	25	↓
26	100	26	↓	26	↓	26	85	26	↓	26	↓	26	↓	26	98	26	90	26	96	26	↓	26	↓	26	↓
27		27	↓	27	↓	27	↓	27	↓	27	↓	27	↓	27	↓	27	↓	27	↓	27	↓	27	↓	27	↓
28		28	84	28	↓	28	↓	28	84	28	84	28	99	28	↓	28	↓	28	↓	28	112	28	90	28	↓
29		29	↓	29	↓	29	↓	29	↓	29	↓	29	↓	29	↓	29	↓	29	↓	29	↓	29	↓	29	↓
30		30	↓	30	↓	30	↓	30	↓	30	↓	30	↓	30	↓	30	↓	30	↓	30	↓	30	↓	30	↓
31		31	84	31	111	31	↓	31	↓	31	↓	31	↓	31	↓	31	↓	31	↓	31	71	31	↓	31	↓
32		32	↓	32	111	32	↓	32	↓	32	↓	32	↓	32	↓	32	↓	32	↓	32	71	32	90 & 96	32	↓
33		33	↓	33	85	33	↓	33	↓	33	↓	33	↓	33	↓	33	↓	33	↓	33	90	33	98	33	↓
34		34	↓	34	85	34	↓	34	↓	34	↓	34	↓	34	93	34	↓	34	↓	34	70	34	↓	34	↓
35		35	99	35	111	35	↓	35	82	35	83	35	83	35	↓	35	↓	35	↓	35	112	35	↓	35	↓
36		36	84	36	85	36	↓	36	↓	36	↓	36	↓	36	↓	36	↓	36	↓	36	70	36	↓	36	↓
37		37	84	37	85	37	↓	37	↓	37	↓	37	↓	37	↓	37	↓	37	↓	37	90	37	↓	37	↓
38		38	99	38	111	38	↓	38	↓	38	↓	38	↓	38	↓	38	↓	38	↓	38	112	38	↓	38	↓
39		39	84	39	84	39	↓	39	↓	39	↓	39	↓	39	↓	39	↓	39	↓	39	98	39	↓	39	↓
40		40	99	40	85	40	↓	40	↓	40	↓	40	↓	40	↓	40	↓	40	↓	40	96	40	↓	40	↓
41		41	99	41	85	41	↓	41	↓	41	↓	41	↓	41	↓	41	↓	41	↓	41	96	41	↓	41	↓
42		42	84	42	84	42	↓	42	↓	42	↓	42	↓	42	↓	42	↓	42	↓	42	98	42	↓	42	↓
43	↓	43	67	43	↓	43	↓	43	↓	43	↓	43	↓	43	↓	43	↓	43	↓	43	↓	43	↓	43	↓
44		44	↓	44	↓	44	↓	44	↓	44	↓	44	↓	44	↓	44	↓	44	↓	44	↓	44	↓	44	↓
45		45	↓	45	↓	45	↓	45	↓	45	↓	45	↓	45	↓	45	↓	45	↓	45	↓	45	↓	45	↓
46		46	↓	46	↓	46	↓	46	↓	46	↓	46	↓	46	↓	46	↓	46	↓	46	↓	46	↓	46	↓
47		47	↓	47	↓	47	↓	47	↓	47	↓	47	↓	47	↓	47	↓	47	↓	47	↓	47	↓	47	↓

ROW D



PIN LOCATOR

LOC	14	LOC	15	LOC	16	LOC	17	LOC	18	LOC	19	LOC	20	LOC	21	LOC	22	LOC	23	LOC	24	LOC	25	LOC		
PIN	PAGE	PIN	PAGE	PIN	PAGE	PIN	PAGE	PIN	PAGE	PIN	PAGE	PIN	PAGE	PIN	PAGE	PIN	PAGE	PIN	PAGE	PIN	PAGE	PIN	PAGE	PIN	PAGE	
1	97	1	97	1	96	1	94	1	94	1	95	1	93	1		1	92	1	90	1	91	1	91	1		
2		2		2		2		2		2		2		2	95	2		2		2		2		2		2
3		3		3		3		3		3		3		3		3		3		3		3		3		3
4		4		4	↓	4		4		4		4		4		4		4	92	4	92	4	92	4	4	
5		5		5	98	5		5		5		5		5		5		5		5		5		5		5
6		6		6	98	6		6		6		6		6	↓	6		6		6		6		6		6
7		7		7	96	7		7		7		7	↓	7	92	7		7		7		7		7		7
8		8		8	96	8		8		8		8	95	8		8		8		8		8		8		8
9		9		9	96 & 98	9		9		9		9	↓	9		9	↓	9		9		9		9		9
10		10		10	98	10		10		10		10	↓	10		10		10		10		10		10		10
11		11		11	↓	11		11		11		11	93 & 95	11		11	92	11		11		11		11		11
12		12		12	↓	12		12		12		12	93	12		12	↓	12		12		12		12		12
13		13		13	96 & 98	13		13		13		13		13		13	↓	13		13		13		13		13
14		14		14	96	14		14		14		14		14		14		14		14		14		14		14
15		15		15	96	15		15		15		15		15		15	92	15	↓	15		15		15		15
16		16		16	94	16		16		16		16		16	↓	16		16	91	16		16		16		16
17		17		17		17		17		17		17		17	95	17	↓	17		17		17		17		17
18		18		18		18		18		18		18		18		18		18		18		18		18		18
19		19		19		19		19		19		19		19		19	92	19		19		19		19		19
20		20		20		20		20		20		20		20		20		20		20		20		20		20
21		21		21		21		21		21		21		21		21		21		21		21		21		21
22		22		22		22		22		22		22		22		22		22		22		22		22		22
23		23		23		23		23		23		23		23		23		23		23		23		23		23
24		24		24		24		24		24		24		24		24		24		24		24		24		24
25		25		25		25		25		25		25		25		25		25	↓	25		25		25		25
26		26		26		26		26		26		26		26		26		26	91 & 92	26		26		26		26
27		27		27		27		27		27		27		27		27		27	92	27		27		27		27
28		28		28		28		28		28		28		28		28		28	92	28		28		28		28
29		29		29		29		29		29		29		29		29		29	91 & 92	29		29		29		29
30		30		30		30		30		30		30		30		30		30	92	30		30		30		30
31		31		31		31		31		31		31		31		31		31		31		31		31		31
32	↓	32	↓	32		32	↓	32	↓	32		32		32		32		32		32	↓	32	↓	32		32
33		33		33		33		33		33		33		33	↓	33		33		33		33		33		33
34		34		34		34		34		34		34		34	92	34		34		34		34		34		34
35		35		35		35		35		35		35		35		35		35		35		35		35		35
36		36	66	36	↓	36		36		36		36		36		36		36		36	115	36		36		36
37	97	37	97	37	95	37	94	37	94	37		37		37		37		37		37	92	37	92	37		37
38		38		38	94 & 95	38		38		38		38		38		38		38		38		38		38		38
39	97	39	97	39	94	39	94	39	94	39		39		39		39		39		39	91	39	91	39		39
40	97	40	97	40	94	40	94	40	94	40		40		40		40		40		40	91	40	91	40		40
41		41		41	95	41		41		41	↓	41	↓	41		41		41		41	↓	41		41		41
42		42		42		42		42		42		42		42		42		42		42		42		42		42
43		43		43		43		43		43		43		43	↓	43	↓	43		43		43		43		43
44		44		44		44		44		44		44		44		44		44		44		44		44		44
45		45		45		45		45		45		45		45		45		45		45		45		45		45
46		46		46		46		46		46		46		46		46		46		46		46		46		46
47		47		47		47		47		47		47		47		47		47		47		47		47		47

ROW  
D



PIN LOCATOR

LOC	1	LOC	2	LOC	3	LOC	4	LOC	5	LOC	6	LOC	7	LOC	8	LOC	9	LOC	10	LOC	11	LOC	12	LOC	13
PIN	PAGE	PIN	PAGE	PIN	PAGE	PIN	PAGE	PIN	PAGE	PIN	PAGE	PIN	PAGE	PIN	PAGE	PIN	PAGE	PIN	PAGE	PIN	PAGE	PIN	PAGE	PIN	PAGE
1	87	1	88	1	89	1	87	1	113	1	111	1	86	1	110	1	81	1	107	1		1		1	
2		2		2		2	33	2		2	33	2	33	2		2	107	2	107	2		2		2	
3		3		3		3	87	3		3	111	3	86	3		3	106	3	106	3	106	3	106	3	109
4		4		4		4		4		4		4		4		4		4		4		4		4	
5		5		5		5		5		5		5		5	81	5		5		5		5		5	
6		6		6		6		6		6		6		6		6		6		6		6		6	
7		7		7		7	87 & 111	7		7	108	7	108	7		7	106 & 107	7		7		7		7	106
8		8		8		8	111	8		8		8		8	114	8	106	8		8		8		8	
9		9		9		9		9		9		9		9	114	9		9		9		9		9	
10		10		10		10		10		10		10		10	107	10		10		10		10		10	
11		11		11		11	87	11		11		11		11		11	107	11		11		11		11	
12		12		12		12		12		12		12		12		12		12		12		12		12	
13		13		13		13		13		13		13		13		13		13		13		13		13	
14		14		14		14		14		14		14		14	112	14		14		14		14		14	
15		15		15		15		15		15		15		15		15		15		15		15		15	
16		16		16		16		16		16		16		16		16		16		16		16		16	
17		17		17		17		17		17	108 & 113	17		17		17		17		17		17		17	
18		18		18		18		18		18	108	18		18		18		18		18		18		18	
19		19		19		19		19		19		19		19	86	19		19		19		19		19	
20		20		20		20		20		20		20		20		20		20		20		20		20	
21		21		21		21		21	108 & 113	21		21		21		21		21		21		21		21	
22		22		22		22		22	108	22	113	22		22	81	22		22		22		22		22	
23		23		23		23		23		23		23		23		23		23		23		23		23	
24		24		24		24		24		24		24		24		24		24		24		24		24	
25		25		25		25		25		25		25		25	42	25		25		25		25		25	
26		26		26		26	87 & 89	26		26	108	26		26		26		26		26		26		26	
27		27		27		27	87	27		27		27		27		27		27		27		27		27	
28		28		28		28		28		28		28		28	112	28		28		28		28		28	
29		29		29		29		29		29		29		29		29		29		29		29		29	
30		30		30		30		30		30		30		30		30		30		30		30		30	
31		31		31		31	89	31		31		31		31	107	31		31		31		31		31	
32		32		32		32		32		32		32		32	107	32		32		32		32		32	
33		33		33		33		33		33		33		33	112	33		33		33		33		33	
34		34		34		34	88 & 89	34		34	112	34	112	34	107	34		34		34		34	107	34	107
35		35		35		35	89	35		35		35		35	111	35		35		35		35		35	
36		36		36		36		36		36		36		36	107	36		36		36		36		36	
37		37		37		37		37		37		37		37	112	37		37		37		37		37	
38		38		38		38	88	38		38		38		38	111	38		38		38		38		38	
39		39		39		39		39		39		39		39	107	39		39		39		39		39	
40		40		40		40		40		40		40		40		40		40		40		40		40	
41		41		41		41		41		41		41		41		41		41		41		41		41	
42		42		42		42		42		42		42		42		42		42		42		42		42	
43		43		43		43		43		43		43		43	110	43		43		43		43		43	
44		44		44		44		44		44		44		44		44		44		44		44		44	
45		45		45		45		45		45		45		45		45		45		45		45		45	
46		46		46		46		46		46		46		46		46		46		46		46		46	
47		47		47		47		47		47		47		47		47		47		47		47		47	

ROW  
E

PIN LOCATOR

LOC	14	LOC	15	LOC	16	LOC	17	LOC	18	LOC	19	LOC	20	LOC	21	LOC	22	LOC	23	LOC	24	LOC	25	LOC	
PIN	PAGE	PIN	PAGE	PIN	PAGE	PIN	PAGE	PIN	PAGE	PIN	PAGE	PIN	PAGE	PIN	PAGE	PIN	PAGE	PIN	PAGE	PIN	PAGE	PIN	PAGE	PIN	PAGE
1	109	1	105	1	110	1	105	1	105	1	37	1		1	102	1		1		1		1		1	
2		2		2		2	105	2	104	2		2		2		2	102	2		2		2		2	
3		3		3	103	3	103	3	105	3	102	3	102	3		3		3		3	102	3		3	
4		4	↓	4		4		4		4		4		4		4		4		4		4		4	
5		5	110	5		5		5		5		5		5		5		5		5		5		5	
6		6		6		6	↓	6		6		6		6		6		6		6		6		6	
7		7	↓	7	104	7	104	7	104	7		7		7		7		7		7		7		7	
8		8	77	8		8		8		8		8		8		8	104	8		8		8		8	
9		9	77	9		9		9		9		9		9		9		9		9		9		9	
10		10	103	10		10		10		10		10		10		10		10		10		10		10	
11		11	103	11		11		11		11		11		11	102, 104	11		11		11		11		11	
12		12	110	12		12		12		12		12		12	102	12		12		12		12		12	
13		13	110	13		13		13		13		13		13		13		13		13		13		13	
14		14	105	14		14		14		14		14		14		14		14		14		14		14	
15		15	105	15		15		15		15		15		15		15		15		15		15		15	
16		16	110	16	↓	16		16		16		16		16		16		16		16		16		16	
17		17	↓	17	103	17	103	17	105	17	105	17		17		17	104	17		17		17		17	
18		18	↓	18		18		18		18		18		18		18		18		18		18		18	
19		19	64	19		19		19		19		19		19		19		19		19	105	19		19	
20	↓	20	↓	20		20		20		20		20		20		20		20		20		20		20	
21	106 & 109	21	↓	21		21		21		21		21		21	102 & 103	21		21		21		21		21	
22	106	22	29	22		22		22		22		22		22	104	22		22		22	↓	22		22	
23		23	↓	23		23		23		23		23		23		23		23		23		23		23	
24		24	↓	24		24		24		24		24		24		24		24		24		24		24	
25		25	81	25		25		25		25		25	↓	25		25		25		25		25		25	
26		26	↓	26		26		26		26		26	95	26		26	102	26		26		26		26	
27	↓	27	↓	27		27		27		27		27		27		27		27		27		27		27	
28	107	28	42	28		28		28		28		28		28		28		28		28		28		28	
29		29	↓	29		29		29		29		29		29		29		29		29		29		29	
30		30	↓	30		30		30		30		30		30		30		30		30		30		30	
31		31	64	31		31		31		31		31	102	31		31		31		31		31		31	
32		32	64	32		32		32		32		32		32		32		32		32		32		32	
33		33	103	33	↓	33		33		33		33		33		33		33		33	104	33	↓	33	
34	↓	34	21	34	81, 99, 64	34	110	34	104	34	102	34		34		34		34		34		34	104	34	
35	106	35	105	35	81	35		35		35		35		35		35		35		35		35		35	
36		36	21	36	↓	36		36		36		36		36		36		36		36		36		36	
37		37	103	37	↓	37		37		37		37		37		37		37		37		37		37	
38		38	105	38	64	38		38		38		38		38		38		38		38		38		38	
39		39	↓	39		39		39		39		39		39		39		39		39		39		39	
40		40	↓	40		40		40		40		40		40		40		40		40		40		40	
41	↓	41	↓	41	99	41		41		41		41		41		41		41		41		41		41	
42		42	↓	42		42		42		42		42		42		42		42		42		42		42	
43		43	21	43	↓	43		43		43		43		43		43		43		43		43	↓	43	
44		44		44		44		44		44		44		44		44		44		44		44		44	
45		45		45		45		45		45		45		45		45		45		45		45		45	
46		46		46		46		46		46		46		46		46		46		46		46		46	
47		47		47		47		47		47		47		47		47		47		47		47		47	

ROW  
E

PIN LOCATOR

LOC	1	LOC	2	LOC	3	LOC	4	LOC	5	LOC	6	LOC	7	LOC	8	LOC	9	LOC	10	LOC	11	LOC	12	LOC	13
PIN	PAGE	PIN	PAGE	PIN	PAGE	PIN	PAGE	PIN	PAGE	PIN	PAGE	PIN	PAGE	PIN	PAGE	PIN	PAGE	PIN	PAGE	PIN	PAGE	PIN	PAGE	PIN	PAGE
1	114	1	64	1	99	1	110	1	111	1	38	1	18	1	26	1	33	1	31	1	21	1	26	1	30
2		2		2	112	2		2	110	2		2		2	26	2		2		2	21	2	21	2	
3		3		3	110	3		3	64	3		3		3		3		3		3		3		3	
4		4		4		4	↓	4		4		4		4		4		4		4		4		4	
5		5		5		5	112	5		5		5		5		5	↓	5		5		5	↓	5	
6		6		6		6		6		6		6		6		6	33	6		6		6		6	
7		7		7	111, 112, 114	7		7	111	7		7		7		7	26	7		7		7	21	7	
8		8		8	111	8	115	8		8	33	8	38	8		8		8		8		8		8	
9		9		9		9	115	9		9	33	9		9		9	↓	9		9		9	↓	9	
10		10		10		10	111	10		10	111	10		10		10	33	10		10		10		10	
11		11		11	114	11		11		11	111	11	38 & 99	11		11	31	11		11	25 & 21	11	21	11	
12		12		12		12		12		12	19	12	99	12		12		12		12		12		12	
13		13		13		13	↓	13		13	19	13		13		13	↓	13		13		13	↓	13	
14		14		14	112	14	115	14		14	33	14		14		14	33	14		14		14	16	14	
15		15		15		15		15		15	33	15	18	15		15	19	15		15	21	15	21	15	
16		16		16		16		16		16		16		16		16		16		16		16		16	
17		17		17	110	17		17	111 & 42	17		17		17		17		17		17		17		17	
18		18		18		18	↓	18	42	18		18		18		18	↓	18		18		18	22	18	
19		19		19		19	110	19		19	111	19		19		19	26	19		19		19		19	
20		20		20		20		20		20		20		20		20		20		20		20		20	
21		21		21		21	↓	21		21		21		21		21		21		21		21		21	
22		22		22		22	111	22	111	22		22		22		22	↓	22		22		22		22	
23		23		23		23		23		23		23		23		23	19	23		23		23	21	23	
24		24		24		24	↓	24		24		24		24		24		24		24		24		24	
25		25		25		25	110	25		25	99	25		25		25		25		25		25		25	
26		26		26	111	26		26		26		26		26		26		26		26		26		26	
27		27		27		27		27		27		27		27		27		27		27		27		27	
28		28		28		28		28		28		28	33	28	22	28		28		28	25	28		28	25
29		29		29		29		29		29		29		29		29		29		29		29		29	
30		30		30		30	↓	30		30		30		30		30		30		30		30		30	
31		31		31		31	115	31		31	33	31		31	22 & 113	31		31	26	31		31		31	
32		32		32		32	115	32		32	33	32		32	113	32		32		32		32		32	
33		33		33		33	99	33		33	111	33		33		33		33		33		33		33	
34		34		34	99, 111	34	115	34		34	33	34		34		34		34		34		34		34	
35		35		35		35	110	35		35		35	18	35	26	35		35	31	35	21	35		35	30
36		36		36		36	115	36		36		36		36		36		36		36		36		36	
37		37		37		37	99	37		37	111	37		37		37		37		37		37		37	
38		38		38	64	38	110	38		38	33	38		38		38		38		38		38		38	
39		39		39		39	110	39		39		39		39		39		39		39		39		39	
40		40		40		40	111	40		40		40		40		40		40		40		40		40	
41	↓	41	↓	41	111	41	111	41		41		41		41		41		41		41		41		41	↓
42		42		42		42	110	42		42		42		42		42		42		42		42		42	
43		43		43		43	110	43		43	32	43		43		43		43		43		43		43	
44		44		44		44		44		44		44		44		44		44		44		44		44	
45		45		45		45		45		45		45		45		45		45		45		45		45	
46		46		46		46		46		46		46		46		46		46		46		46		46	
47		47		47		47		47		47		47		47		47		47		47		47		47	

ROW  
F

PIN LOCATOR

LOC	14	LOC	15	LOC	16	LOC	17	LOC	18	LOC	19	LOC	20	LOC	21	LOC	22	LOC	23	LOC	24	LOC	25	LOC	
PIN	PAGE	PIN	PAGE	PIN	PAGE	PIN	PAGE	PIN	PAGE	PIN	PAGE	PIN	PAGE	PIN	PAGE	PIN	PAGE	PIN	PAGE	PIN	PAGE	PIN	PAGE	PIN	PAGE
1	22	1	25	1	42	1	29	1	32	1	32	1	23	1	23	1	26	1	28	1	27	1	24	1	
2		2		2	21, 25	2		2	32	2		2	23	2		2	26	2		2	27	2		2	2
3		3		3	25	3		3	29	3		3		3		3		3		3		3		3	3
4		4		4		4		4		4		4	16	4	17	4	28	4		4		4		4	4
5		5		5		5		5		5	37	5		5		5		5		5		5		5	5
6		6		6		6		6		6		6		6		6		6		6		6		6	6
7		7		7	21	7		7		7		7		7		7		7		7		7		7	7
8		8		8		8		8		8	64	8		8		8		8		8	30	8	32	8	8
9		9		9		9		9		9	64	9		9		9		9		9		9		9	9
10		10		10		10		10		10	32	10		10		10		10		10		10		10	10
11		11		11	19	11		11		11	32	11		11		11		11	28 & 83	11	22 & 30	11	32	11	11
12		12		12		12		12		12	32	12		12		12		12	83	12	22	12	32	12	12
13		13		13		13		13		13		13		13		13		13		13		13		13	13
14		14		14		14		14		14		14		14		14		14		14		14		14	14
15		15		15		15		15		15		15		15		15		15	28	15	27	15	24	15	15
16		16		16		16		16	20	16	19	16		16		16	23	16		16		16		16	16
17		17		17		17		17		17		17		17		17		17		17		17		17	17
18		18		18		18		18		18		18		18		18		18		18		18		18	18
19		19		19	42	19		19		19	16	19		19		19		19		19		19		19	19
20		20		20		20		20		20		20		20		20		20		20		20		20	20
21		21		21		21	20 & 29	21		21		21		21		21		21		21		21		21	21
22		22		22		22	20	22		22	37	22	32	22		22		22		22		22		22	22
23		23		23	19	23		23		23		23		23		23		23		23		23		23	23
24		24		24		24		24		24		24		24		24		24		24		24		24	24
25		25		25		25		25		25	16	25		25		25		25		25		25		25	25
26		26		26		26		26	29	26		26	16	26		26	17 & 23	26		26		26		26	26
27		27		27		27		27		27		27		27		27	17	27		27		27		27	27
28		28		28		28		28		28	32	28		28		28	17	28		28		28		28	28
29		29		29		29		29		29		29		29		29	17 & 23	29		29		29		29	29
30		30		30		30		30		30		30		30		30	17	30		30		30		30	30
31		31		31		31		31		31	111	31		31		31		31		31		31		31	31
32		32		32		32		32		32	111	32	16 & 32	32		32		32		32		32		32	32
33		33		33	20	33		33		33	16	33		33		33		33		33		33		33	33
34		34		34		34		34	20	34	37	34		34		34		34		34		34		34	34
35		35		35		35		35		35	32	35		35		35		35		35		35		35	35
36		36		36		36		36		36	32	36		36		36		36		36		36		36	36
37		37		37		37		37		37	16	37		37	17	37	28	37		37		37		37	37
38		38		38		38		38		38	37	38		38		38		38		38		38		38	38
39		39		39		39		39		39		39	23	39	23	39		39		39		39		39	39
40		40		40		40		40		40		40	23	40	23	40		40		40		40		40	40
41		41		41		41		41		41		41		41		41		41		41		41		41	41
42		42		42		42		42		42		42		42		42		42		42		42		42	42
43		43		43		43		43		43		43		43		43		43		43		43		43	43
44		44		44		44		44		44		44		44		44		44		44		44		44	44
45		45		45		45		45		45		45		45		45		45		45		45		45	45
46		46		46		46		46		46		46		46		46		46		46		46		46	46
47		47		47		47		47		47		47		47		47		47		47		47		47	47

ROW  
F



920 MODULE LOCATION CHART

	1	2	3	4	5	6	7	8	9	10	11	12	13	14	15	16	17	18	19	20	21	22	23	24	25	
A	GO			Cp	Ex										S1	S3		S5		S7		S9	S11		S13	
	FK52	GK52	GK51	FK52	FK52	GK51	GK51		GK51	GK51	IK51	GK51	GK51	FK52	GK51	FK52	GK52	FK52	GK51	FK52	GK51	FK52	FK52	GK51	FK52	
B	Ht			C24	la										S2	S4		S6		S8		S10	S12		S14	
	Q1	Q3	Q5											P1	P3		P5		P7		P9		P11		P13	
C	FK52	FK52	FK52	GK51	IK51	GK51	IK51	IK51	GK51	GK51	IK51	GK51	GK51	FK51	FK51	IK52	FK51	IK52	FK51	IK52	FK51	IK52	FK51	IK52	FK51	
	Q2	Q4	Q6											P2	P4		P6		P8		P10		P12		P14	
D	"Y"	F1		F2							C0		C2		C4	C6	C8	C10	C12	C14		C16	C18	C20	C22	
	BUFF	FK52	GK51	FK52	GK51	IK51	GK51	GK52	GK51	GK51	FK51	IK52	FK51	IK52	FK51	FK51	FK51	FK51	FK51	FK51	FK51	IK52	FK51	FK51	FK51	FK51
E	P9	F3		Rf							C1		C3		C5	C7	C9	C11	C13	C15		C17	C19	C21	C23	
	GK51	IK51	IK51	GK51	FK52	FK52	FK52	GK51	GK51	GK51	IK51	GK52	FK51	DK51	DK51	FK51	DK51	DK51	FK52	FK52	GK51	GK52	FK51	DK51	DK51	
F					O1	O3	O5						Xn			Br			Be	Ae			Ar			
					O2	O4	O6						Xw			Bw			Bn	An			Aw			
G	D1	D3	D5		Ix									Sk								Cz				
	FK52	FK52	FK52	GK51	FK52	GK51	GK51	IK51	GK51	GK51	GK51	GK51	GK51	FK52	IK51	GK51	GK51	GK51	GK51	GK51	GK51	FK52	GK51	CK53	GK51	CK54
H	D2	D4	D6		Po									En								Of				
	Tsm	Ts					W13	W12		W11	W10		W9	W4	W7		WF						Wn	R1	R2	R3
I	FK52	FK52	GK51	IK51	GK51	IK51	FK52	FK52	GK52	FK52	FK52	GK52	FK52	FK52	FK52	GK52	FK52	GK51	IK51	DK51	DK51	FK51	FK52	FK52	FK52	FK52
	Int	Wp					W14	We		Wo	Wn		W6	W5	W8		Rp					Ww	R6	R5	R4	
J		CONTROL PANEL		POT	EOM	INT. LACE	AUX	AUX	AUX	AUX	MAG TAPE	PIN	PRI INT	INTERRUPT LOGIC		PHOTO RDR	PHOTO RDR AMP	PHOTO RDR	RDR	LOGIC	<i>SEE TAB 16, PG 20</i>		AUTO ST LOGIC	AUTO ST	INT LACE	
	1	2	3			1	1	2	3	4	1			SK55 1 & 2	SK55 3 & 4		IK54	IK53	RK51	SK56			SK55		2	
K	P1	P2	P3	P10	P10	P10	P6	P6	P6	P6	P14	P15	P8			P4								P12	P11	

910-920 MODULE & MEMORY LOCATION CHART

26 27 28 29 30 31 32 33 34 35 36 37 38 39 40 41 42 43 44 45

	26	27	28	29	30	31	32	33	34	35	36	37	38	39	40	41	42	43	44	45		
A	GK51	GK51	IK51	M0 FK52	M2 FK52	M4 FK52	M6 FK52	M8 FK52	M10 FK52	M12 FK52	IK51	M14 FK52	M16 FK52	M18 FK52	IK51	M20 FK52	M22 FK52	M24 FK52			SK57	A
				Mg	M1	M3	M5	M7	M9	M11		M13	M15	M17		M19	M21	M23				
B		SK53		SK58	QK53	QK53	QK53	QK53	QK53	QK53	QK53	QK53	HK55	HK55	QK52	QK52	QK52	QK52	HK51	HK51		B
				X	X	Y	Y	X	X	Y	Y											
C	Z	Z	Z													md	md	md	md	md		C
	HK52	HK52	HK52	M	E	M	O	R	Y	-	S	T	A	C	K	HK59	HK59	HK59	HK59	HK59		
							TB-32				MEMORY CONN.											
D	Z	Z	Z													md	md	md	md	md		D
	HK52	HK52	HK52	M	E	M	O	R	Y	-	S	T	A	C	K	HK59	HK59	HK59	HK59	HK59		
							TB32				MEMORY CONN.											
E	Z	Z	Z													md	md	md	md	md		E
	HK52	HK52	HK52	M	E	M	O	R	Y	-	S	T	A	C	K	HK59	HK59	HK59	HK59	HK59		
							TB32				MEMORY CONN.											
F	Z	Z	Z													md	md	md	md	md		F
	HK52	HK52	HK52	M	E	M	O	R	Y	-	S	T	A	C	K	HK59	HK59	HK59	HK59	HK59		
							TB32				MEMORY CONN.											
G																						G

See 920 Directory

i thru iv



See 920 Directory

Page vi

PAGE	CHG	PAGE	CHG	PAGE	CHG	PAGE	CHG	PAGE	CHG
1	A	41	F	81	J	121	C	161	D
2	A	42	J	82	A	122	C	162	E
3	A	43	A	83	A	123	C	163	E
4	A	44	A	84	A	124	C	164	E
5	A	45	A	85	A	125	C	165	E
6	A	46	A	86	A	126	C	166	E
7	A	47	A	87	A	127	C	167	E
8	A	48	A	88	A	128	A	168	E
9	A	49	A	89	B	129	A	169	E
10	A	50	A	90	A	130	A	170	J
11	A	51	A	91	A	131	A	171	E
12	A	52	A	92	B	132	A	172	E
13	D	53	A	93	A	133	A	173	E
14	A	54	B	94	A	134	A	174	E
15	A	55	A	95	A	135	A	175	E
16	M	56	A	96	A	136	C		
17	A	57	A	97	A	137	C		
18	A	58	B	98	A	138	D		
19	A	59	A	99	A	139	D		
20	A	60	A	100	A	140	A		
21	J	61	A	101	G	141	A		
22	A	62	A	102	B	142	A		
23	A	63	A	103	A	143	J		
24	A	64	F	104	B	144	A		
25	J	65	A	105	A	145	D		
26	L	66	A	106	A	146	F		
27	A	67	G	107	F	147	F		
28	A	68	A	108	A	148	F		
29	A	69	B	109	A	149	F		
30	D	70	A	110	J	150	J		
31	J	71	A	111	A	151	M		
32	F	72	A	112	A	152	J		
33	F	73	A	113	A	153	J		
34	A	74	A	114	F	154	D		
35	A	75	A	115	F	155	M		
36	A	76	A	116	G	156	A		
37	F	77	A	117	K	157	M		
38	A	78	A	118	A	158	E		
39	A	79	A	119	A	159	D		
40	A	80	L	120	C	160	D		

NOTES:

1. REV. LETTERS LISTED INDICATE STATUS OF EACH SHEET OF THIS MULTIPLE SHEET DWG.
2. CHECK INDIVIDUAL SHEETS FOR REV LETTER AGAINST THIS SHEET BEFORE USING THIS DWG.

( PAGES 158 THRU 161 NOT USED )



Pin	Logic	Conn Circuit	Pin	Logic	Conn Circuit
1	$\overline{Kb1}$	pullup	25	Kc5	Pullup
2			26	Kc6	"
3	$\overline{Kb2}$	pullup	27	Kc7	"
4			28	Kc8	"
5	$\overline{Kb3}$	pullup	29	Kc9	"
6			30	Kc10	"
7	$\overline{Kb4}$	pullup	31	Kc11	"
8			32	Kc12	"
9	$\overline{En}$	pullup	33	Kc13	"
10			34	Kc14	"
11	St	pullup	35	Kc15	"
12			36	Kc16	"
13	Kr	pullup	37	Kc17	"
14			38	Kc18	"
15	Kp	pullup	39	Kc19	"
16			40	Kc20	"
17	$\overline{Kp}$	pullup	41	Kc21	"
18			42	Kc22	"
19			43	Kc23	Pullup
20	Kco	pullup	44	+ 0V	
21	Kc1	"	45	+ 8V	
22	Kc2	"	46	- 25V	
23	Kc3	"	47	+ 25V	
24	Kc4	pullup			

Key = 6-22

Pin	Logic	Conn Circuit	Pin	Logic	Conn Circuit
1	Kg	Pulldown	25	$Kx'$	Pulldown
2			26	Kx	Pullup
3	$\overline{Kg}$	Pulldown	27	$Kc'$	Pulldown
4	$(En + \overline{Em})$	100K	28		
5	$\overline{Cp}$ Ht	"	29	Kf	Pulldown
6	Cp Ht	"	30		
7	Of	"	31	Clock Margin	(short)
8	We	"	32		"
9	(W9)	"	33	Voltage Reg. Margin	"
10	(W10)	"	34		"
11	(W11)	"	35	Current Reg. Margin	"
12	(W12)	"	36		
13	(W13)	"	37	Kcr	Pulldown
14	(W14)	100K	38		
15	Ks	Pulldown	39		(short)
16			40		
17	$\overline{Ks}$	Pulldown	41		(short)
18			42		
19	$\overline{Kf}$	Pulldown	43	+ 50V	Short
20	Ka	Pullup	44	+ 0V	(short)
21	$Ka'$	Pulldown	45	+ 8V	"
22	Kb	Pullup	46	- 25V	"
23	$Kb'$	Pulldown	47	+ 25V	(short)
24					

Key = 6-12

910 3G  
 920 3G  
 Control Panel Wired

910 4G  
 Parallel output  
 920 4G

Pin	Logic	Conn Circuit	Pin	Logic	Conn Circuit
1	(P1)	100K	25	(C5)	100K
2	(P2)	"	26	(C6)	"
3	(P3)	"	27	(C7)	"
4	(P4)	"	28	(C8)	"
5	(P5)	"	29	(C9)	"
6	(P6)	"	30	(C10)	"
7	(P7)	"	31	(C11)	"
8	(P8)	"	32	(C12)	"
9	(P9)	"	33	(C13)	"
10	(P10)	"	34	(C14)	"
11	(P11)	"	35	(C15)	"
12	(P12)	"	36	(C16)	"
13	(P13)	"	37	(C17)	"
14	(P14)	100K	38	(C18)	"
15	Filament #1	Short	39	(C19)	"
16	Filament #2	Short	40	(C20)	"
17	Filament #1	"	41	(C21)	"
18	Filament #2	"	42	(C22)	"
19	+ 0v	Short	43	(C23)	100K
20	(Co)	100K	44	+ 0V	(short)
21	(C1)	"	45	+ 8V	"
22	(C2)	"	46	- 25V	"
23	(C3)	"	47	+ 25V	(short)
24	(C4)	100K			

Pin	Logic	Conn Circuit	Pin	Logic	Conn Circuit
1	Pot 1	(bead)	25	(C5)	(bead)
2	Pot 2	"	26	(C6)	"
3	Ioc	"	27	(C7)	"
4	Buc	"	28	(C8)	"
5	Sys	(bead)	29	(C9)	"
6	Eom	"	30	(C10)	"
7	Q1	"	31	(C11)	"
8	Q2	"	32	(C12)	"
9		"	33	(C13)	"
10		"	34	(C14)	"
11		"	35	(C15)	"
12		"	36	(C16)	"
13		"	37	(C17)	"
14	$\overline{Sio}$	(Bead)	38	(C18)	"
15	$\overline{Ssc}$	"	39	(C19)	"
16	$\overline{Rf}$	"	40	(C20)	"
17	$\overline{St}$	"	41	(C21)	"
18	$\overline{CT7}$	(Bead)	42	(C22)	"
19		(bead)	43	(C23)	(bead)
20	(Co)	"	44	+ 0V	(short)
21	(C1)	"	45	+ 8V	"
22	(C2)	"	46	- 25V	"
23	(C3)	"	47	+ 25V	(short)
24	(C4)	(bead)			

KEY = 6-10

KEY = 6-20

910  
Parallel Output  
920

5G  
5G

Pin	Logic	Conn Circuit	Pin	Logic	Conn Circuit
1	Pot 1	(bead)	25	(C5)	(bead)
2	Pot 2	"	26	(C6)	"
3	Ioc	"	27	(C7)	"
4	Buc	"	28	(C8)	"
5	Sys	(bead)	29	(C9)	"
6	Eom		30	(C10)	"
7	Q1		31	(C11)	"
8	Q2		32	(C12)	"
9			33	(C13)	"
10			34	(C14)	"
11			35	(C15)	"
12			36	(C16)	"
13			37	(C17)	"
14	$\overline{Sio}$	(short)	38	(C18)	"
15	$\overline{Ssc}$	"	39	(C19)	"
16	$\overline{Rf}$	"	40	(C20)	"
17	$\overline{St}$	(short)	41	(C21)	"
18	$\overline{C17}$		42	(C22)	"
19		(bead)	43	(C23)	(bead)
20	(Co)	"	44	+ 0V	(short)
21	(C1)	"	45	+ 8V	"
22	(C2)	"	46	-25V	"
23	(C3)	"	47	+25V	(short)
24	(C4)	(bead)			

KEY = 6-20

910  
920  
Interlace  
6G  
6G  
Wired

Pin	Logic	Conn Circuit	Pin	Logic	Conn Circuit
1	Pot 1	(bead)	25	(C5)	(bead)
2	Pot 2	"	26	(C6)	"
3	Ioc	"	27	(C7)	"
4	Buc	"	28	(C8)	"
5	Sys	(bead)	29	(C9)	"
6	Eom	(short)	30	(C10)	"
7	Q1	"	31	(C11)	"
8	Q2	"	32	(C12)	"
9	W9	"	33	(C13)	"
10	Y9	(short)	34	(C14)	"
11			35	(C15)	"
12			36	(C16)	"
13			37	(C17)	"
14	$\overline{Sio}$	(short)	38	(C18)	"
15	$\overline{Ssc}$	"	39	(C19)	"
16	$\overline{Rf}$	8.2K pull up	40	(C20)	"
17	$\overline{St}$	(short)	41	(C21)	"
18	$\overline{C17}$	(short)	42	(C22)	"
19		(bead)	43	(C23)	(bead)
20	(Co)	"	44	+ 0V	(short)
21	(C1)	"	45	+ 8V	"
22	(C2)	"	46	-25V	"
23	(C3)	"	47	+25V	(short)
24	(C4)	(bead)			

KEY = 6-20

910 7G 8G 9G 10G  
920 7G 8G 9G 10G

MAG  
TAPE w BUFF

910  
920  
15 Kc Tape Control

11G  
11G  
1Z

Pin	Logic	Conn Circuit	Pin	Logic	Conn Circuit
1	$\overline{Zw1}$	Pull-up	25	(R1)	(bead)
2	$\overline{Zw2}$	"	26	(R2)	"
3	$\overline{Zw3}$	"	27	(R3)	"
4	$\overline{Zw4}$	"	28	(R4)	"
5	$\overline{Zw5}$	"	29	(R5)	"
6	$\overline{Zw6}$	"	30	(R6)	"
7	$\overline{Zwp}$	"	31	(Rp)	"
8	$\overline{Ecw}$	"	32	(C12)	"
9	$\overline{Whs}$	"	33	(C13)	"
10	$\overline{Sio}$	"	34	(C14)	"
11	Buc	Short	35	(C15)	"
12	$\overline{Np}$	Pull-up	36	(C16)	"
13	$\overline{Wes}$	Pull-up	37	$\overline{(C17)}$	"
14	(W0)	(bead)	38	(C18)	"
15	(W5)	"	39	(C19)	"
16	(W6)	"	40	(C20)	"
17	Q2	"	41	(C21)	"
18	Ioc	"	42	(C22)	"
19	(W9)	"	43	(C23)	(bead)
20	(W10)	"	44	+ 0V	(short)
21	(W11)	"	45	+ 8V	"
22	(W12)	"	46	-25V	"
23	(W13)	"	47	+25V	(short)
24	(W14)	(bead)			

Pin	Logic	Conn Circuit	Pin	Logic	Conn Circuit
1	$\overline{Zw1}$		25	(R1)	
2	$\overline{Zw2}$		26	(R2)	
3	$\overline{Zw3}$		27	(R3)	
4	$\overline{Zw4}$		28	(R4)	
5	$\overline{Zw5}$		29	(R5)	
6	$\overline{Zw6}$		30	(R6)	
7	$\overline{Zwp}$		31	(Rp)	
8	$\overline{Ecw}$		32	(C12)	
9	$\overline{Whs}$		33	(C13)	
10	$\overline{Sio}$		34	(C14)	
11	Buc		35	(C15)	
12	$\overline{Mtg}$		36	(C16)	
13	$\overline{Wes}$		37	$\overline{(C17)}$	
14	(W0)		38	(C18)	
15	(W5)		39	(C19)	
16	(W6)		40	(C20)	
17	Q2		41	(C21)	} TAPE UNIT BEING ADDRESSED
18	Ioc		42	(C22)	
19	(W9)		43	(C23)	
20	(W10)		44	+ 0V	
21	(W11)		45	+ 8V	
22	(W12)		46	-25V	
23	(W13)		47	+25V	
24	(W14)				

Key = 6-26

On all 4 Connectors

Key = 6-28



910 Parallel Input  
920

12G  
12G

Pin	Logic	Conn Circuit	Pin	Logic	Conn Circuit
1	Pin	(bead)	25	$\overline{Cd5}$	(3.9K pullup)
2			26	$\overline{Cd6}$	"
3	$\overline{Sio}$	(bead)	27	$\overline{Cd7}$	"
4			28	$\overline{Cd8}$	"
5			29	$\overline{Cd9}$	"
6			30	$\overline{Cd10}$	"
7			31	$\overline{Cd11}$	"
8	Rti	(bead)	32	$\overline{Cd12}$	"
9			33	$\overline{Cd13}$	"
10			34	$\overline{Cd14}$	"
11			35	$\overline{Cd15}$	"
12			36	$\overline{Cd16}$	"
13			37	$\overline{Cd17}$	"
14			38	$\overline{Cd18}$	"
15			39	$\overline{Cd19}$	"
16	$\overline{Rf}$	3.9K pullup	40	$\overline{Cd20}$	"
17		"	41	$\overline{Cd21}$	"
18		"	42	$\overline{Cd22}$	"
19		"	43	$\overline{Cd23}$	(3.9K pullup)
20	$\overline{Cdo}$	(3.9K pullup)	44	+ 0	(short)
21	$\overline{Cd1}$		45	+ 8	"
22	$\overline{Cd2}$		46	-25	"
23	$\overline{Cd3}$		47	+25	(short)
24	$\overline{Cd4}$	(3.9K pullup)			

Key = 6-16

910 Priority Interrupt  
920

13G  
13G

Pin	Logic	Conn Circuit	Pin	Logic	Conn Circuit
1	11	Short	25	H	Short
2	12	"	26	$\overline{Ir}$	Diode
3	13	"	27	$\overline{Sio}$	Short
4	14	"	28	$\overline{Ssc}$	
5		"	29	$\overline{N9}$	short
6		"	30	$\overline{N10}$	"
7		"	31	$\overline{N11}$	"
8		"	32	$\overline{N12}$	"
9		"	33	$\overline{N13}$	"
10		"	34	$\overline{N14}$	short
11		"	35	( $\overline{Ip1}$ $\overline{Ip2}$ $\overline{Ip3}$ $\overline{Ip4}$ )	bead
12		"	36	( $\overline{Is1}$ $\overline{Is2}$ $\overline{Is3}$ $\overline{Is4}$ )	"
13		"	37	(T22-T17)	"
14		"	38	Ib	"
15	$\overline{N5}$	"	39	(Int $\overline{F1}$ (T22 - T17))	bead
16	$\overline{N6}$	"	40	I1w	short
17	$\overline{N7}$	"	41	I2w	"
18	$\overline{N8}$	"	42	I1y	"
19		"	43	I2y	"
20		"	44	+ 0	short
21		"	45	+ 8	
22		"	46	-25	
23	$\overline{Sf}$	"	47	+25	
24	$\overline{Ij}$	Short			

Key = 6-14

Pin	Logic	Conn Circuit	Pin	Logic	Conn Circuit
1	Pa1	180Ω	25		
2	Pa2	"	26		
3	Pa3	"	27		
4	Pa4	"	28		
5	Pa5	"	29		
6	Pa6	"	30		
7	Pa7	"	31		
8	Pa8	"	32		
9	Pap	180Ω	33		
10	Par	short	34		
11			35		
12			36	Reader relay common	short
13			37	Rd drive	"
14			38	Rb1 Brake	"
15			39	Rb2 Brake	"
16			40	$\overline{Kif}$ feed	"
17			41	Lamp	"
18			42	+ 18V	"
19			43	+ 50V	"
20			44	+ 0V	"
21			45	+ 8V	"
22			46	- 25V	2.2K
23			47	+ 25V	Short
24					

Pin	Logic	Conn Circuit	Pin	Logic	Conn Circuit
1	Iof	short	25		
2	Ion	"	26		
3	Me	Pull down	27		
4	Memory disable	short	28		
5	St Jumper	"	29		
6	St	"	30		
7			31		
8			32		
9			33		
10			34		
11			35		
12			36		
13			37		
14			38		
15			39		
16			40		
17			41		
18			42		
19			43		
20			44	Gnd	short
21			45	+ 8v	"
22			46	- 25v	"
23			47	+ 25v	"
24					

910 25G  
 920 25G  
 Interlace Wired

CONNECTOR 28N  
 PRIORITY INTERRUPT

Pin	Logic	Conn Circuit	Pin	Logic	Conn Circuit
1	$\overline{Tsm}$	(bead)	25		
2	Wp	"	26		
3	$\overline{Wp}$	"	27		
4	Wh	"	28		
5	Yh	(bead)	29	Iwf	(short)
6	Iw	(short)	30	Iw10	"
7	$\overline{Iw} \overline{Ew}$	"	31	Iw11	"
8	Iy	"	32	Iw12	"
9	$\overline{Iy} \overline{Ey}$	"	33	Iw13	"
10	Iy10	(short)	34	Iw14	"
11	Iy11	"	35	Iw15	"
12	Iy12	"	36	Iw16	"
13	Iy13	"	37	Iw17	"
14	Iy14	"	38	Iw18	"
15	Iy15	"	39	Iw19	"
16	Iy16	"	40	Iw20	"
17	Iy17	"	41	Iw21	"
18	Iy18	"	42	Iw22	"
19	Iy19	"	43	Iw23	"
20	Iy20	"	44	+ 0V	"
21	Iy21	"	45	+ 8V	"
22	Iy22	"	46	- 25V	"
23	Iy23	"	47	+ 25V	(short)
24	Iyf	(short)			

Key = 6-18

Pin	Logic	Conn Circuit	Pin	Logic	Conn Circuit
1			25		
2			26	$\overline{Ir}$	Short
3			27		
4			28		
5			29	$\overline{N9}$	Short
6			30	$\overline{N10}$	"
7			31	$\overline{N11}$	"
8			32	$\overline{N12}$	"
9			33	$\overline{N13}$	"
10			34	$\overline{N14}$	"
11			35	$\pi \overline{Ip36}$	"
12			36	$\pi \overline{Is36}$	"
13			37	(T22-T17)*	"
14			38	Ib*	"
15	$\overline{N5}$	Short	39	(Int F1 T22-T17)*	Short
16	$\overline{N6}$	"	40	+ 0	Short
17	$\overline{N7}$	"	41	+ 8	"
18	$\overline{N8}$	"	42	-25	"
19			43	+25	"
20			44		
21			45		
22			46		
23	$\overline{Sf}$	Short	47		
24	$\overline{Ix}$	"			

Key = 6-14

OA or OOA	LOGIC	OA or OOA	LOGIC
1	M1	26	Memory Disable
2	M2	27	Me
3	M3	28	$\overline{W9}$
4	M4	29	$\overline{Y9}$
5	M5	30	( $\overline{O2} \overline{O3} \phi_o \overline{Ia}$ )
6	M6	31	S1
7	M7	32	S2
8	M8	33	S3
9	M9	34	S4
10	M10	35	S5
11	M11	36	S6
12	M12	37	S7
13	M13	38	S8
14	M14	39	S9
15	M15	40	S10
16	M16	41	S11
17	M17	42	S12
18	M18	43	S13
19	M19	44	S14
20	M20	45	Ts
21	M21	46	$\overline{T_s}$
22	M22	47	Wp
23	M23	48	$\overline{Wp}$
24	M24	49	Tsm
25	MO	50	$\overline{Tsm}$
		51	T24

OB or OOB	LOGIC	OB or OOB	LOGIC
1	C1	26	Mc
2	C2	27	Tsm $\overline{Wp}$
3	C3	28	Tsm Wp
4	C4	29	Q1
5	C5	30	St
6	C6	31	Q2
7	C7	32	Mg
8	C8	33	$\overline{Q3}$
9	C9	34	Q4
10	C10	35	Q5
11	C11	36	$\overline{Q5}$
12	C12	37	Tp
13	C13	38	O5
14	C14	39	Po
15	C15	40	$\phi_4$
16	C16	41	(F1 + $\overline{F3}$ + Ts)
17	C17	42	(T5 - To)
18	C18	43	F3 <sup>o</sup>
19	C19	44	$\overline{O6}^o$
20	C20	45	$\overline{Q4}^o$
21	C21	46	Margin Cur. Reg.
22	C22	47	Margin Voltage Reg.
23	C23	48	
24	C24	49	
25	CO	50	Clock
		51	Clock

OC or OOC	LOGIC	OC or OOC	LOGIC
1		26	
2		27	
3		28	
4		29	
5		30	Iw 10
6		31	Iw 11
7		32	Iw 12
8		33	Iw 13
9		34	Iw 14
10	Iy 10	35	Iw 15
11	Iy 11	36	Iw 16
12	Iy 12	37	Iw 17
13	Iy 13	38	Iw 18
14	Iy 14	39	Iw 19
15	Iy 15	40	Iw 20
16	Iy 16	41	Iw 21
17	Iy 17	42	Iw 22
18	Iy 18	43	Iw 23
19	Iy 19	44	B Clock
20	Iy 20	45	R Clock
21	Iy 21	46	+ 18
22	Iy 22	47	+ 18
23	Iy 23	48	+ 18
24		49	+ 15
25		50	- 15
		51	+ 50

910 25C  
920 1C  
Y Buffer Wired

Pin	Logic	Conn Circuit	Pin	Logic	Conn Circuit
1	Buc	Short	25	(Y9 Y10 Y11 Y12 Y13 Y 1)	Short
2	Ioc	↓ Short	26	Sio	↓ Short
3	Yx		27	St	
4	$\overline{Yx}$		28	C12	
5	(T22 - T17)		29	C13	
6	(T5 - T0)		30	C14	
7	T0		31	C15	
8	Tp		32	C16	
9	T24		33	C17	
10	(En + Er)		34	C18	
11	Q2		35	C19	
12	(Tp $\overline{T24}$ )*		36	C20	
13	Y9		37	C21	
14	C23**		38	C22	
15	Yh		39	C23	
16	Tsy		40	(Ioc C12 $\overline{C19}$ $\overline{C20}$ $\overline{C21}$ $\overline{C22}$ C23 (T5-To))	
17	Yf (Y0 + $\overline{Y9}$ )		41	$\overline{C23}$	
18	$\overline{Ye}$		42	Clock, Black	
19	Yn		43	Clock, red	
20	11y		44	+ 0 V	
21	12y		45	+ 8 V	
22	Iy		46	- 25	
23	$\overline{Iy}$ $\overline{Ey}$		47	+ 25 V	
24	Iyf				

TYPEWRITER B (BCD) Connector 44T

Typewriter

PRIORITY INTERRUPT

26N

Pin	Logic	Conn Pin	Pin	Logic	Conn Circuit
1	Ts1 (2.7k Pulldown)	x	25		
2	Ts2 (Pulldown)	v	26		
3	Ts4 (Pulldown)	w	27		
4	Ts8 (Pulldown)	u	28		
5	Tsa (Pulldown)	t	29	Tlt short	J
6	Tsb (Pulldown)	r	30		
7	Tsc (Pulldown)	s	31	Td1 short	H
8	Tc (1.8k Pulldown)	Z	32	Td2 short	E
9	Tc	b	33	Td4 short	F
10	Ec (2.7k Pulldown)	d	34	Td10 short	D
11			35	Td20 short	C
12	+ 8 short	Y	36	Td40 short	A
13			37	Tdp short	B
14			38	Tdsp short	M
15			39	Tdbs short	N
16			40	Tdcr short	P
17			41	Tduc short	S
18			42	Tdtb short	L
19			43		
20	+ 50 v short	K	44	+ 0 v	
21	+ 50 short	J	45	+ 8 v short	X
22			46	-25v short	
23			47	+25v	
24					

Pin	Logic	Conn Circuit	Pin	Logic	Conn Circuit
1	I1		25	I25	
2	I2		26	I26	
3	I3		27	I27	
4	I4		28	I28	
5	I5		29	I29	
6	I6		30	I30	
7	I7		31	I31	
8	I8		32	I32	
9	I9		33	I33	
10	I10		34	I34	
11	I11		35	I35	
12	I12		36	I36	
13	I13		37	H	
14	I14		38		
15	I15		39		
16	I16		40	I1w	
17	I17		41	I2w	
18	I18		42	I1y	
19	I19		43	I2y	
20	I20		44	0 v	
21	I21		45	+ 8 v	
22	I22		46	- 25 v	
23	I23		47	+ 25 v	
24	I24				

Pin	Logic	Conn Circuit	Pin	Logic	Conn Circuit
1	$\overline{Zy1}$	(short)	25	(R1y)	(bead)
2	$\overline{Zy2}$	"	26	(R2y)	"
3	$\overline{Zy3}$	"	27	(R3y)	"
4	$\overline{Zy4}$	"	28	(R4y)	"
5	$\overline{Zy5}$	"	29	(R5y)	"
6	$\overline{Zy6}$	"	30	(R6y)	"
7	$\overline{Zyp}$	"	31	(Rpy)	"
8	$\overline{Ecy}$	"	32	(C12)	"
9	$\overline{Yhs}$	"	33	(C13)	"
10	$\overline{Sio}$	"	34	(C14)	"
11	Buc	"	35	(C15)	"
12	$\overline{Mtg}$	(Short)	36	(C16)	"
13	$\overline{Yes}$	"	37	(C17)	"
14	(Yo)	(bead)	38	(C18)	"
15	(Y5)	"	39	(C19)	"
16	(Y6)	"	40	(C20)	"
17	Q2	"	41	(C21)	"
18	Ioc	"	42	(C22)	"
19	(Y9)	"	43	(C23)	(bead)
20	(Y10)	"	44	+ 0 V	(short)
21	(Y11)	"	45	+ 8 V	"
22	(Y12)	"	46	- 25 V	"
23	(Y13)	"	47	+ 25 V	(short)
24	(Y14)	(bead)			

Pin	Logic	Typewriter Plug	Conn Circuit	Pin	Logic	Typewriter Plug	Conn Circuit
1	$\overline{Ts1}$	B7	Diode	25			
2	$\overline{Ts2}$	B6	Diode	26			
3	$\overline{Ts4}$	B5	Diode	27			
4	$\overline{Ts10}$	B4	Diode	28			
5	$\overline{Ts20}$	B9	2K Pulldown	29			
6	$\overline{Ts40}$	B3	Diode	30			
7	$\overline{Tc}$	B13	1K Pulldown	31	Td1	A6	short
8	$\overline{Tf}$	B24	2K Pulldown	32	Td2	A5	"
9				33	Td4	A1	"
10	$\overline{Et}$	B22	2K Pulldown	34	Td10	A2	"
11	$\overline{Tsp}$	B18	2K Pulldown	35	Td20	A4	"
12	$\overline{Tbs}$	B17	2K Pulldown	36	Td40	A3	"
13	$\overline{Ttb}$	B19	2K Pulldown	37	Tdp	A7	"
14	$\overline{Tcr}$	B16	2K Pulldown	38	Tdsp	A8	"
15				39	Tdbs	A9	"
16	$\overline{Lc}$	B21	2K Pulldown	40	Tdcr	A10	"
17				41	Tduc	A14	"
18				42	Tdtb	A11	"
19				43	Tdlc	A13	"
20	+ 50	A16		44	+ 0v		"
21	+ 50	A16		45	+ 8v	B23	"
22				46	- 25v		"
23				47	+ 25v		"
24							

Pin	Logic	Conn Circuit	Pin	Logic	Punch Plug	Conn Circuit
1			25	+ 50	H	
2			26			
3			27	Kcp	C	Pulldown
4			28	Test	Y	
5			29	Pd	b	short
6			30	Ksp	N	Pullup
7			31	Pf	A	short
8			32	Pd8	B	"
9			33	Pd7	F	"
10			34	Pd6	L	"
11			35	Pd5	R	"
12			36	Pd4	V	"
13			37	Psp	E	"
14			38	Pd3	Z	"
15			39	Pd2	d	"
16			40	Pd1	i	"
17			41	Common 1		"
18			42	Common 2	D	"
19			43	Common 3		short
20			44	Gnd	K	"
21			45	+ 8		"
22			46	- 25		"
23			47	+ 25	a	"
24						

Pin	Logic	Conn Circuit	Pin	Logic	Conn Circuit
1	$\overline{Zy1}$	(short)	25	(R1y)	(bead)
2	$\overline{Zy2}$	"	26	(R2y)	"
3	$\overline{Zy3}$	"	27	(R3y)	"
4	$\overline{Zy4}$	"	28	(R4y)	"
5	$\overline{Zy5}$	"	29	(R5y)	"
6	$\overline{Zy6}$	"	30	(R6y)	"
7	$\overline{Zyp}$	"	31	(Rpy)	"
8	$\overline{Ecy}$	"	32	(C12)	"
9	$\overline{Yhs}$	"	33	(C13)	"
10	$\overline{Sio}$	"	34	(C14)	"
11	Buc	"	35	(C15)	"
12	Np	(short)	36	(C16)	"
13	$\overline{Yes}$		37	(C17)	"
14	(Yo)	(bead)	38	(C18)	"
15	(Y5)	"	39	(C19)	"
16	(Y6)	"	40	(C20)	"
17	Q2	"	41	(C21)	"
18	Ioc	"	42	(C22)	"
19	(Y9)	"	43	(C23)	(bead)
20	(Y10)	"	44	+ 0 V	(short)
21	(Y11)	"	45	+ 8 V	"
22	(Y12)	"	46	-25 V	"
23	(Y13)	"	47	+25 V	(short)
24	(Y14)	(bead)			

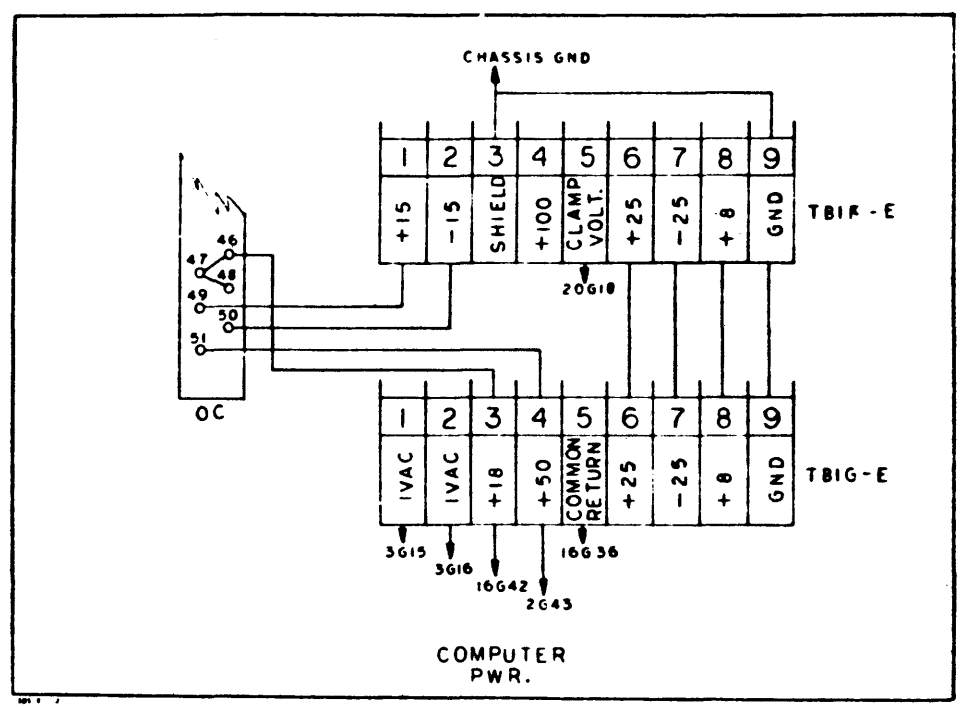


Pin	Logic	Conn Circuit	Pin	Logic	Conn Circuit
1	(R7y)		25	$\overline{Zy7}$	
2	(R8y)		26	$\overline{Zy8}$	
3	(R9y)		27	$\overline{Zy9}$	
4	(R10y)		28	$\overline{Zy10}$	
5	(R11y)		29	$\overline{Zy11}$	
6	(R12y)		30	$\overline{Zy12}$	
7	(R13y)		31	$\overline{Zy13}$	
8	(R14y)		32	$\overline{Zy14}$	
9	(R15y)		33	$\overline{Zy15}$	
10	(R16y)		34	$\overline{Zy16}$	
11	(R17y)		35	$\overline{Zy17}$	
12	(R18y)		36	$\overline{Zy18}$	
13	(R19y)		37	$\overline{Zy19}$	
14	(R20y)		38	$\overline{Zy20}$	
15	(R21y)		39	$\overline{Zy21}$	
16	(R22y)		40	$\overline{Zy22}$	
17	(R23y)		41	$\overline{Zy23}$	
18	(R24y)		42	$\overline{Zy24}$	
19	$\overline{Rpe}$		43		
20			44	+ 0v	
21			45	+ 8v	
22			46	- 25v	
23			47	+ 25v	
24					

Pin	Logic	Conn Circuit	Pin	Logic	Conn Circuit
1	(R7y)		25	$\overline{Zy7}$	
2	(R8y)		26	$\overline{Zy8}$	
3	(R9y)		27	$\overline{Zy9}$	
4	(R10y)		28	$\overline{Zy10}$	
5	(R11y)		29	$\overline{Zy11}$	
6	(R12y)		30	$\overline{Zy12}$	
7	(R13y)		31	$\overline{Zy13}$	
8	(R14y)		32	$\overline{Zy14}$	
9	(R15y)		33	$\overline{Zy15}$	
10	(R16y)		34	$\overline{Zy16}$	
11	(R17y)		35	$\overline{Zy17}$	
12	(R18y)		36	$\overline{Zy18}$	
13	(R19y)		37	$\overline{Zy19}$	
14	(R20y)		38	$\overline{Zy20}$	
15	(R21y)		39	$\overline{Zy21}$	
16	(R22y)		40	$\overline{Zy22}$	
17	(R23y)		41	$\overline{Zy23}$	
18	(R24y)		42	$\overline{Zy24}$	
19	$\overline{Rpe}$		43		
20			44	+ 0v	
21			45	+ 8v	
22			46	-25v	
23			47	+25v	
24					



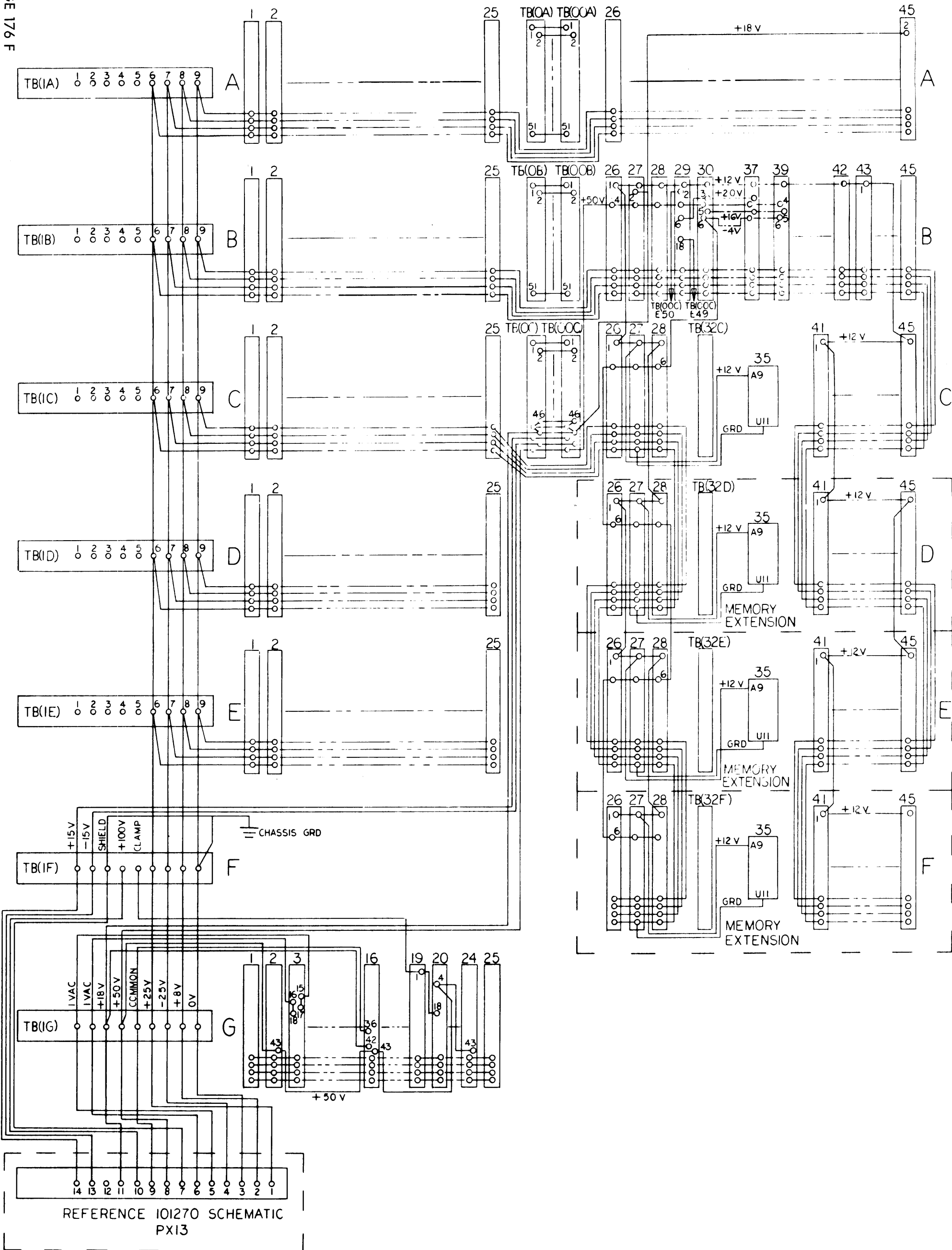
REVISIONS				101701	IE
REV	DESCRIPTION	CHK	DATE	APPROVED	
E	SEE REV. E.O.				



920  
PAGE 175  
E

NO. REQ.	DRAWING NO.	DESCRIPTION	REFERENCE DESIGNATION	ITEM NO.
MATERIAL LIST				
NOTES UNLESS SPECIFIED		DRAWN	SDS SCIENTIFIC DATA SYSTEMS 1542 FIFTEENTH STREET SANTA MONICA, CALIFORNIA	
1. TOLERANCES XX ± 0.00 ANGULAR XXX ± 0.10		CHECK	TITLE DIAGRAM, LOGIC COMPUTER	
2. BREAK ALL SHARP EDGES 3. DIM APPROX 4. ALL DIM IN INCHES		APPR		
MODEL NO. 920		SEE DWS NO. D 101701		E
NEXT ASSY.		SCALE		DO NOT SCALE DRAWING SHEET

101701 IE



REVISIONS				101701	F
REV	DESCRIPTION	CHK	DATE	APPROVED	
F	SEE REV. E.D.				

MODULE LIST

ITEM	DESCRIPTION	MODEL	QTY
1	CLOCK GENERATOR # 1	CK 53	1
2	CLOCK GENERATOR # 2	CK 54	1
3	SHIFT REGISTER	DK 51	8
4	REPEATER FLIP FLOP	FK 51	23
5	DUAL FLIP FLOP	FK 52	52
6	DIODE GATE # 1	GK 51	48
7	DIODE GATE # 2	GK 52	8
8	DISCRIMINATOR	HK 51	2
9	Z" DRIVER	HK 52	3
10	GATED LOGIC AMPLIFIER	IK 54	1
11	SELECTOR CONTROL	HK 55	2
12	SENSE AMPLIFIER	HK 59	5
13	INVERTER AMPLIFIER	IK 51	17
14	AND/GATE INVERTER	IK 53	1
15	ADDRESS DECODER	QK 52	4
16	"XY" SELECTOR	QK 53	4
17	RELAY DRIVER	RK 51	1
18	VOLTAGE REGULATOR	SK 53	1
19	PRIORITY INTERRUPT	SK 55	1
20	REGULATOR & CLAMP	SK 56	1
21	VOLTAGE REGULATOR	SK 57	1
22	CURRENT REGULATOR	SK 58	1
23	TERMINATION (13G)	ZK 52	1
24	ADDER MODULE	IK 52	8
25	CORE MEMORY ASSY	9102 AORB 9104 AORB	1

REPLACEMENT PARTS LIST FOR (D) MEMORY EXT. (TYP FOR E & F)

ITEM	DESCRIPTION	DESIGNATION	QTY	SUPPLIER CODE (SEE INDEX)
1	CONNECTOR, SOLDER TAIL 47 CONTACT # 7008-47	J(26D) THRU J(29D) J(41D) THRU J(45D)	8	B2
2	CONNECTOR, 140 PIN MALE #MH8018-140-G	J(35D)	1	B2

REPLACEMENT PARTS LIST

ITEM	DESCRIPTION	DESIGNATION	QTY	SUPPLIER CODE (SEE INDEX)
1	CONNECTOR, SOLDER TAIL 47 CONTACT # 7008-47	J(1A) THRU J(45A) J(1B) J(45B) J(1C) J(45C) J(1D) J(45D) J(1E) J(45E) J(1F) THRU J(25F) J(1G) THRU J(25G)	223	B2
2	CONNECTOR, 140 PIN MALE #MH8018-140-G	J(35C)	1	B2

MODULE LIST FOR (D) MEMORY EXT. (TYP FOR E & F)

ITEM	DESCRIPTION	MODEL	QTY
1	Z" DRIVER	HK 52	3
2	SENSE AMPLIFIER	HK 59	5
3	CORE MEMORY ASSY	9102 AORB 9104 AORB	1

920  
PAGE 177  
F

NO. REQ.	DRAWING NO.	DESCRIPTION	REFERENCE DESIGNATION	ITEM NO.
MATERIAL LIST				
NOTES UNLESS SPECIFIED		DRAWN J. IRELAND 5-18-63	<b>SDS</b> SCIENTIFIC DATA SYSTEMS 1502 FIFTEENTH STREET, SANTA MONICA, CALIFORNIA  <b>DIAGRAM, LOGIC COMPUTER</b>	
1. TOLERANCES R&F .010 ANGLE R&F .010 2"±		CHECK <i>[Signature]</i> 7/2/63		
2. BREAK ALL SHARP EDGES 3. HATCH SURFACES 4. ALL DIM IN INCHES		APP'D <i>[Signature]</i> 8/1/63		
MODEL NO. 920			SIZE D	DWG NO. 101701
NEXT ASST.				F
SCALE			DO NOT SCALE DRAWING SHEET	



REVISIONS			
REV	DESCRIPTION	CHK	DATE
	SEE SH 1		

102675 0

REPLACEMENT PARTS LIST

ITEM	DESCRIPTION	DESIGNATION	QTY	SUPPLIER CODE (SEE INDEX)
1	CORD, A.C. #16/3 SPT-3 CORD WITH #PA-3 PLUG	P1	1 (OR NONE)	101
2	CONNECTOR, 5 WIRE FEMALE #3523	P2	1	102
3	CONNECTOR, 3 WIRE MALE #3331	P3	1	102
4	CORD, A.C. #16/3 SPT-3 CORD WITH #PA-3 PLUG	P4 (P10)	1 (OR 2)	101
5	RECEPTACLE, 3 WIRE FEMALE #5256	J1	1	102
6	CONNECTOR, 5 WIRE MALE #3524	J2	1	102
7	WIREMOLD, A.C. #G-20GB306	J4 THRU J9 (J10 THRU J15)	1 (OR 2)	103
8	LAMP, NEON #249-784IH-1437	DS1	1	104
9	CONTACTOR, 30 AMP, 600 VAC #702 BAD 92 SERIES K	K1	1	107
10	CIRCUIT BREAKER, DOUBLE POLE #2XAMI516-35-250 VAC 60 CYCLE CURVE 2	CB1	1	105
11	SWITCH, TOGGLE DPDT	S1	1	106
12	RESISTOR, W.W. 10Ω ± 5%	R1	1	99, 100
13	CAPACITOR, OIL .25μf ± 20%, 1000V	C1	1	80, 81
14	METER, TIME #50-236402AAAA1 120 V, 60 CYCLES	M1	1	108
15	RELAY DPDT DOSX-7T 80-6A/115VAC	K2	1	78 79
16	DIODE, IN3189	CR1	1	2, 6, 30, 68

REV	DRAWING NO.	DESCRIPTION	REFERENCE DESIGNATION	ITEM NO.
MATERIAL LIST				
NOTES UNLESS SPECIFIED: 1. TOLERANCES UNLESS SPECIFIED: .125" ± .005 ANGULAR .015" ± .002 2. BREAK ALL SHARP CORNERS 3. HATCH SURFACES ✓ 4. ALL DIM. IN INCHES				
DRAWN: <i>Witt</i> CHECK: <i>J. Smith</i> APPR: <i>J. Smith</i>	DATE: 2/1/62 DATE: 2/1/62	<b>SDS</b> SCIENTIFIC DATA SYSTEMS 1545 FIFTEENTH STREET, SANTA MONICA, CALIFORNIA		
MODEL NO. 9112, 9113, 9212		TITLE: SCHEMATIC, POWER DISTRIBUTION		
NEXT ASSY: 102246, 102266, 101067		SIZE: D DWG NO: 102675	D	
SCALE:		DO NOT SCALE DRAWING SHEET 2 OF 2		

102675 0



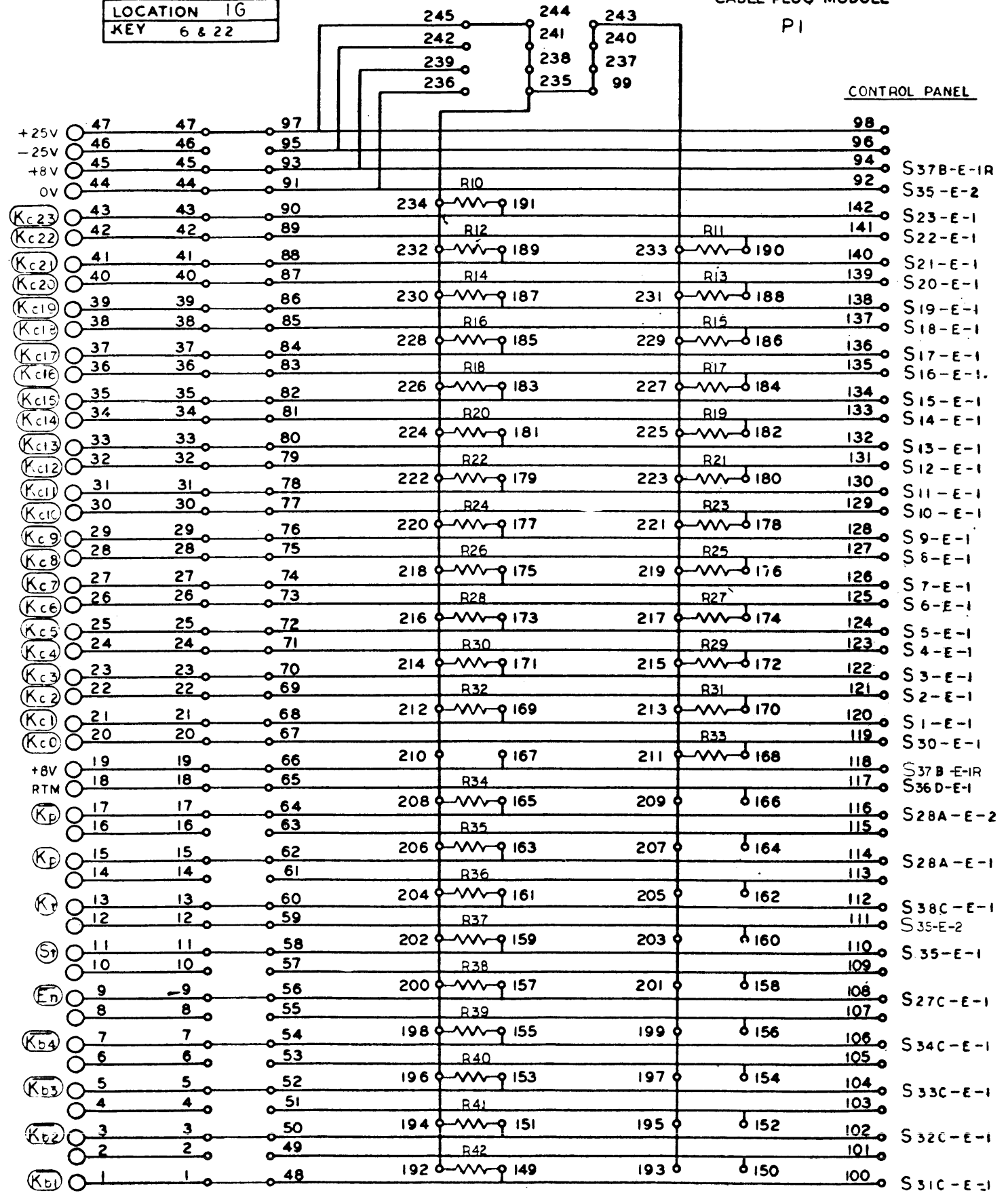


REVISIONS			
REV	DESCRIPTION	CHK	DATE
D	SEE REV. E.O.		
E	SEE REV. E.O.		
F	SEE REV. E.O.		

LOCATION 1G  
KEY 6 & 22

CABLE PLUG MODULE  
PI

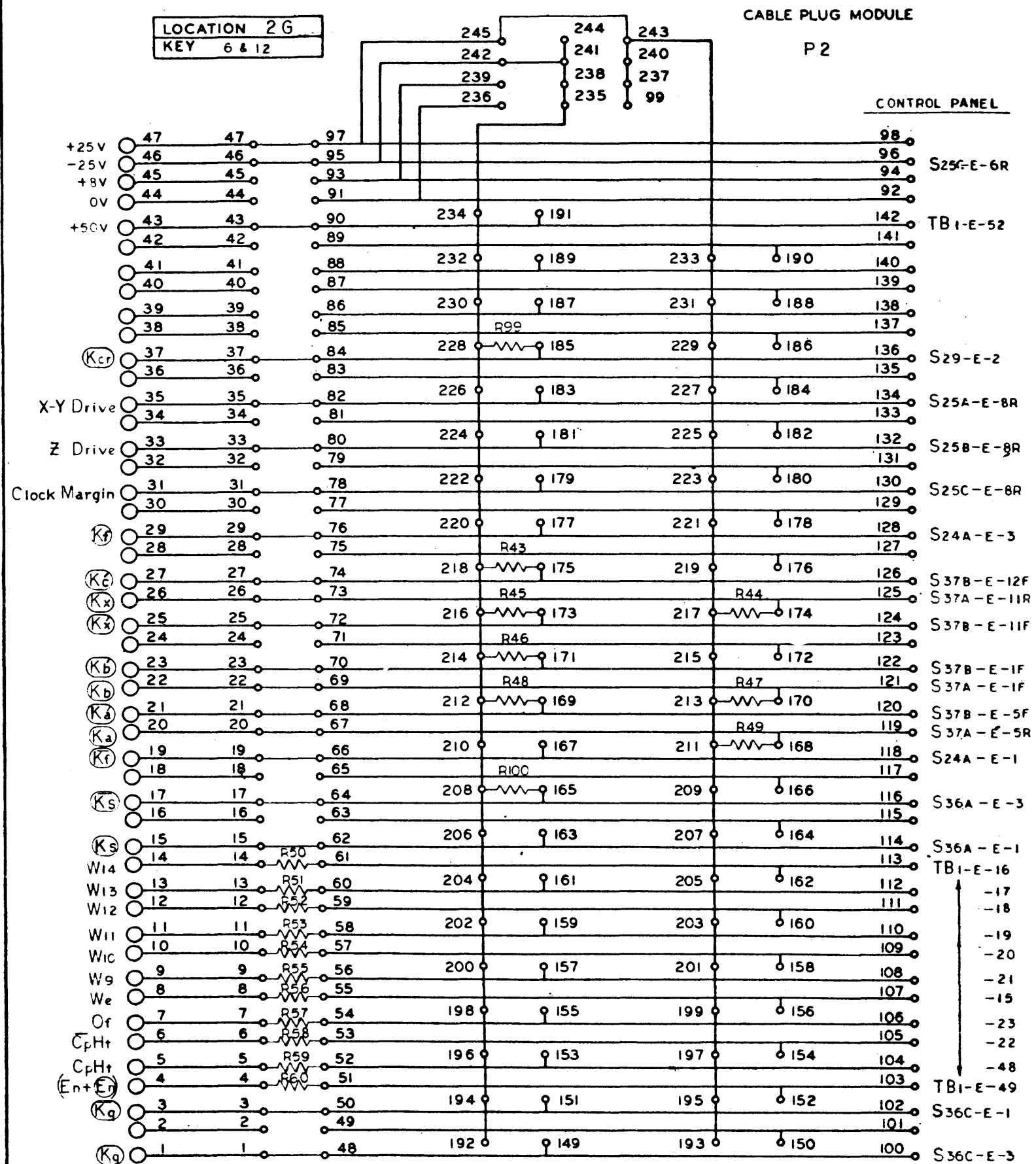
REFERENCE DESIGNATIONS ARE ABBREVIATED. PREFIX THE DESIGNATION WITH UNIT NUMBER OR ASSEMBLY DESIGNATION OR BOTH. (MIL. STD. 168)



NO. REV.	DRAWING NO.	DESCRIPTION	REFERENCE DESIGNATION	ITEM NO.
MATERIAL LIST				
NOTES UNLESS SPECIFIED		DRAWN <i>DWH</i>	1-25-63	
1. TOLERANCES AS 2.000 ANGULAR AS 2.000 2.5°		CHECK		
2. BREAK ALL SHARP EDGES 0.10 APPROX		APPV		
3. BREAK SURFACES 4. ALL DIM. IN INCHES				
MODEL NO. 910, 920		<b>SDS</b> SCIENTIFIC DATA SYSTEMS 1542 FIFTEENTH STREET, SANTA MONICA, CALIFORNIA		
NEXT ASBY. 100946		TITLE <b>SCHEMATIC, CONTROL PANEL</b>		
		SIZE D	DWG. NO. 101157	
		SCALE		DO NOT SCALE DRAWING SHEET 1 OF 6

101157

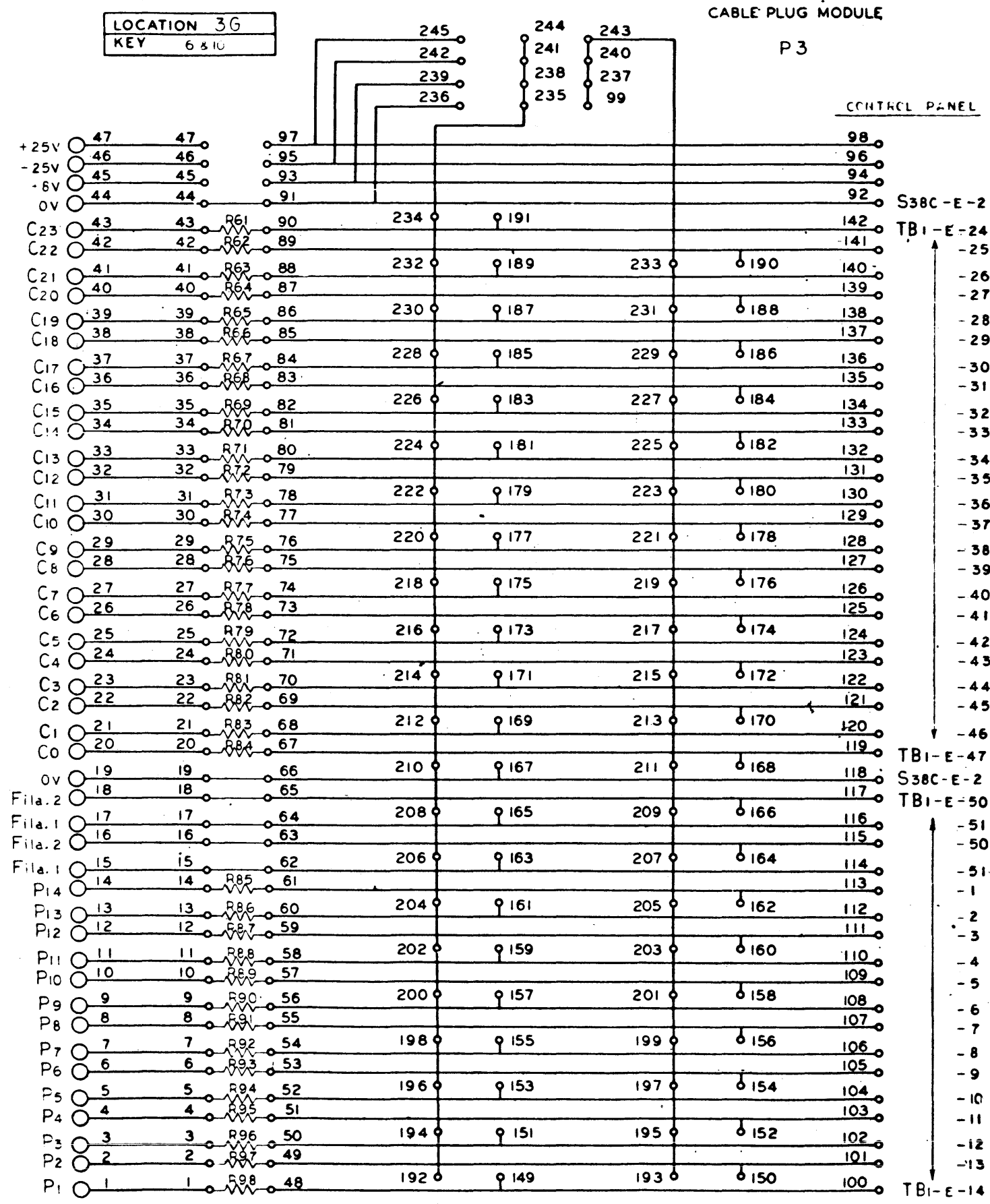
REVISIONS				101157	F
REV	DESCRIPTION	CHK	DATE	APPROVED	
	SEE S-T. ONE				



101157 F

NO. REV.	DRAWING NO.	DESCRIPTION	REFERENCE DESIGNATION	ITEM NO.
MATERIAL LIST				
NOTES UNLESS SPECIFIED		DRAWN	<b>SDS</b> SCIENTIFIC DATA SYSTEMS 1542 FIFTEENTH STREET SANTA MONICA CALIFORNIA TITLE <b>SCHEMATIC, CONTROL PANEL</b>	
1. TOLERANCES UNLESS SPECIFIED ANGULAR ± 1/2°		CHECK		
2. BREAK ALL SHARP EDGES 0.10 APPROX.		APPR.		
3. HATCH SURFACES 4. ALL DIM. IN INCHES				
MODEL NO.	910,920	SIZE	DWG NO.	F
NEXT ASSY.	100946	D	101157	
		SCALE	DO NOT SCALE DRAWING	SHEET 2 OF 6

REVISIONS				101157	F
REV	DESCRIPTION	CHK	DATE	APPROVED	
	SEE SHT ONE				



NO	DRAWING NO.	DESCRIPTION	REFERENCE DESIGNATION	ITEM NO.
MATERIAL LIST				
NOTES UNLESS SPECIFIED		DRAWN	DWH	426-65
1 TOLERANCES		CHECK		
2 1/16" ANGULAR		APPD		
3 2/32" 2 1/2"				
4 BREAK ALL SHARP EDGES				
5 TO APPROX				
6 HATCH SURFACES				
7 ALL DIM IN INCHES				
 1945 FIFTEENTH STREET SANTA MONICA CALIFORNIA				
<b>TITLE</b> SCHEMATIC, CONTROL PANEL				
MODEL NO.	910,920	SIZE	DWG NO.	F
NEXT ASSY	100946	SCALE	101157	
DO NOT SCALE DRAWING SHEET 3 OF 6				

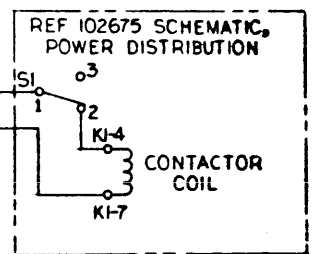
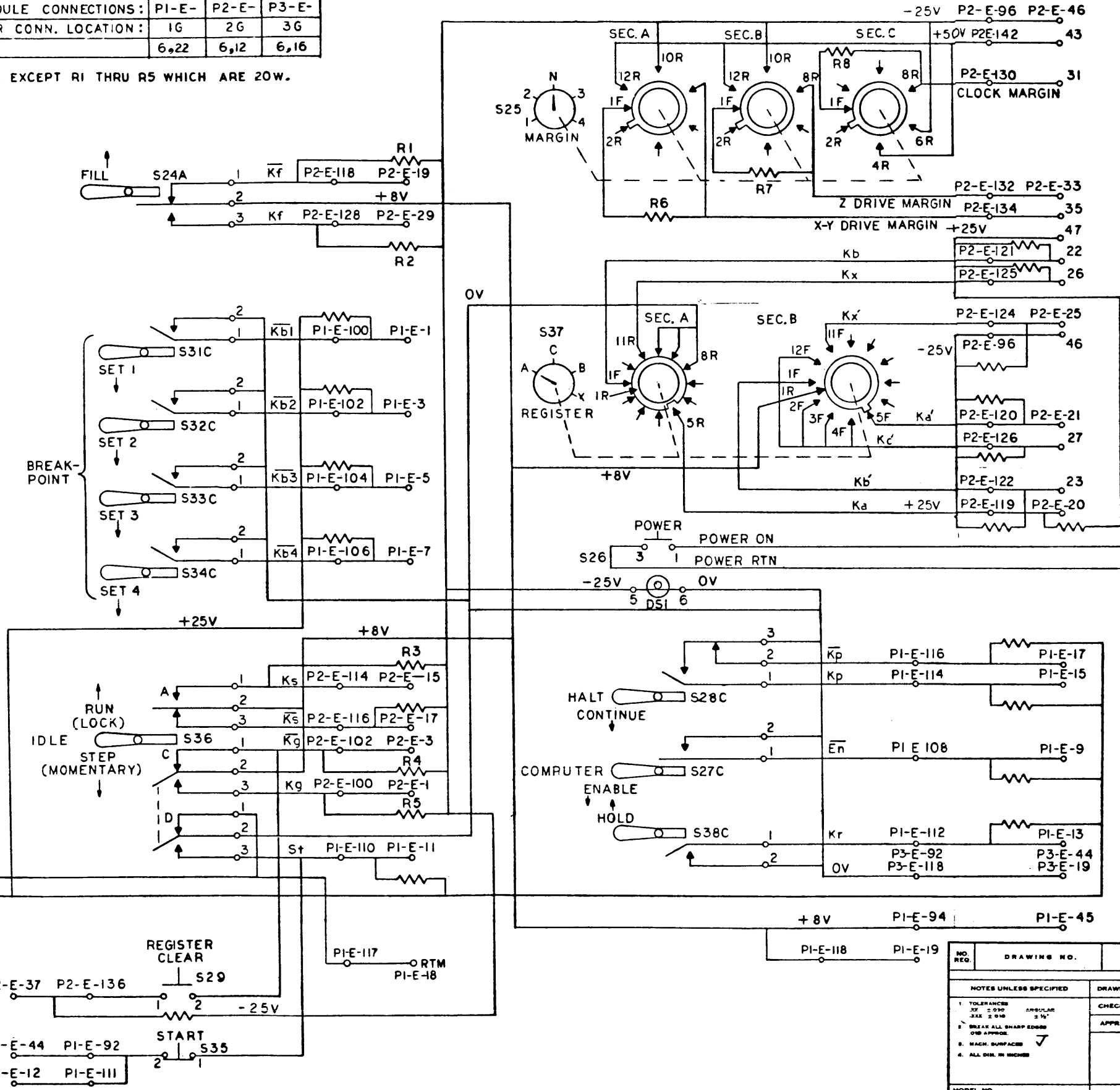
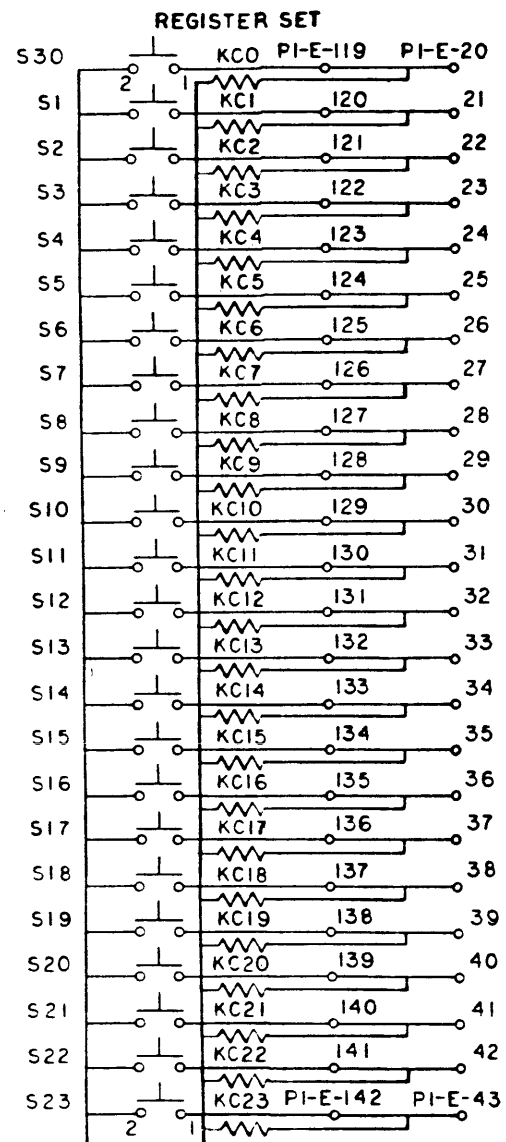
101157 F

REVISIONS			
REV	DESCRIPTION	CHK	DATE
	SEE SHEET 1		

NOTES:

1. CABLE PLUG MODULE CONNECTIONS:	PI-E-	P2-E-	P3-E-
TERMINATE AT COMPUTER CONN. LOCATION:	1G	2G	3G
KEY	6,22	6,12	6,16

2. ALL RESISTORS ARE 1/2W ±2% EXCEPT R1 THRU R5 WHICH ARE 20W.

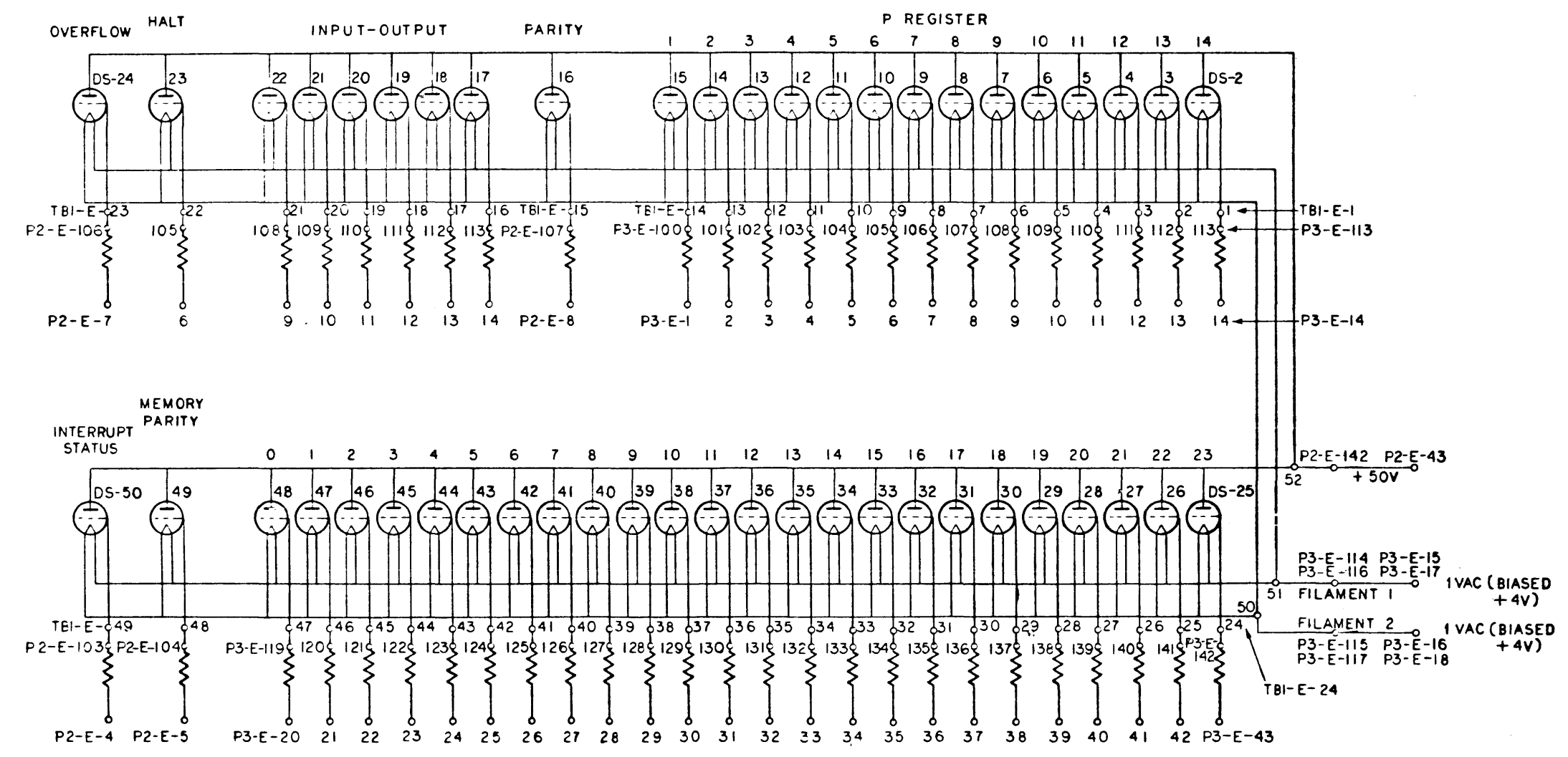


NO. REQ.	DRAWING NO.	DESCRIPTION	REFERENCE DESIGNATION	ITEM NO.
NOTES UNLESS SPECIFIED				
1. TOLERANCES UNLESS SPECIFIED: ANGULAR 3/16" 2. BREAK ALL SHARP EDGES AND APPROVE 3. HATCH SURFACES 4. ALL DIM. IN INCHES				
DRAWN KEITH 8-17-62		MATERIAL LIST		
CHECK		SDS SCIENTIFIC DATA SYSTEMS 1045 FIFTEENTH STREET SANTA MONICA, CALIFORNIA		
APPR.		TITLE SCHEMATIC CONTROL PANEL		
MODEL NO. 910,920		SIZE D		DWG. NO. 101157
NEXT ASSY. 100946		SCALE		DO NOT SCALE DRAWING SHEET 4 OF 6

101157-1 F

REVISIONS			
REV	DESCRIPTION	CHR	DATE
	SEE SHT ONE		
			10.157
			APPROVED

NOTES:  
1. ALL RESISTORS 100K  $\Omega$  1/2 WATT  $\pm$  2%.



NO. REQ.	DRAWING NO.	DESCRIPTION	REFERENCE DESIGNATION	ITEM NO.
NOTES UNLESS SPECIFIED				
1 TOLERANCES		2		
3				
4				
MATERIAL LIST				
SDS SCIENTIFIC DATA SYSTEMS				
1542 FIFTEENTH STREET SANTA MONICA CALIFORNIA				
TITLE				
SCHEMATIC CONTROL PANEL				
MODEL NO		910, 920		
NEXT ASSY		100946		
SIZE		D		
DWG NO		101157		
SCALE		DO NOT SCALE DRAWING		
		SHEET 5 OF 6		

REVISIONS			
REV	DESCRIPTION	CHK	DATE
	SEE SH. ONE		

REPLACEMENT PARTS LIST

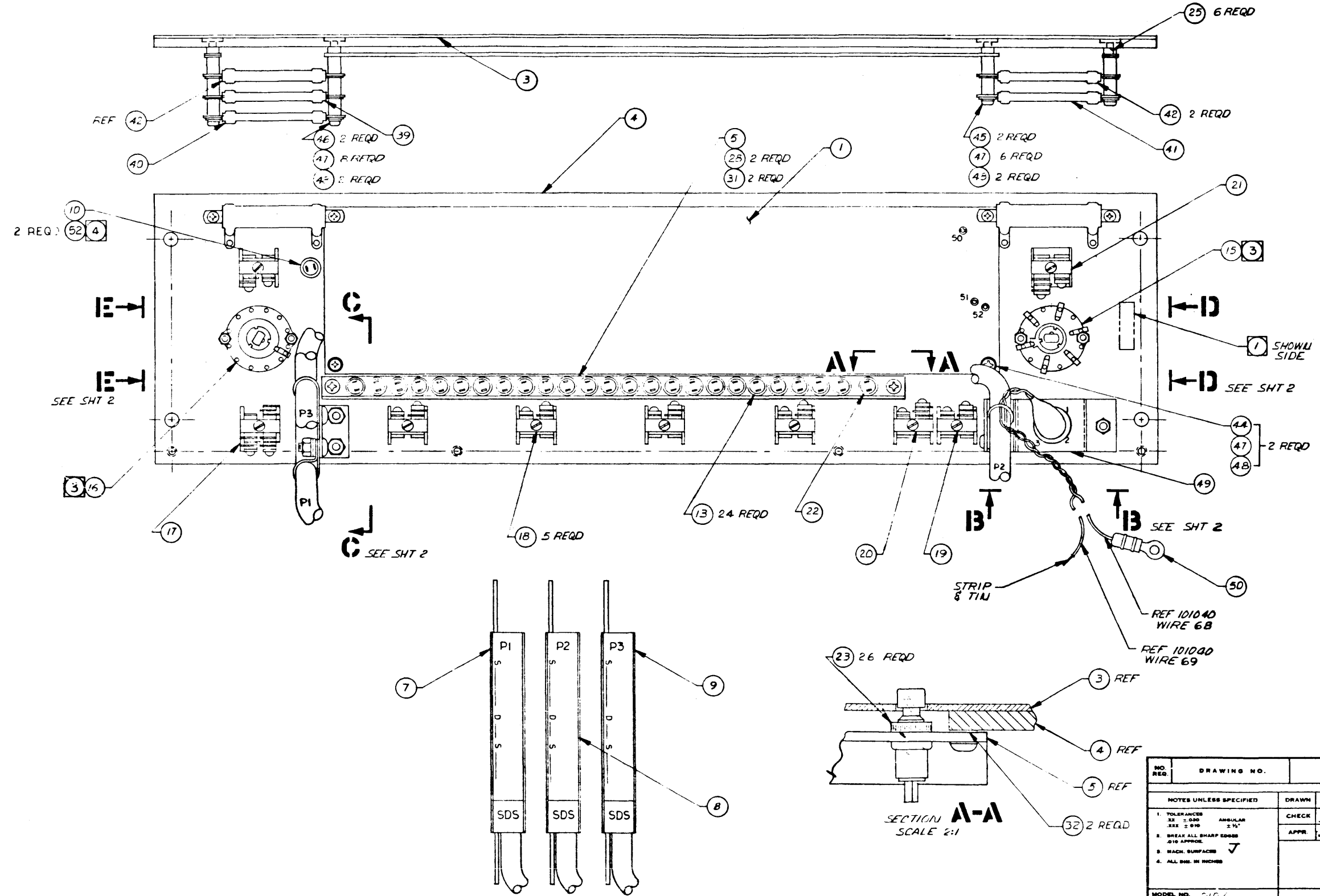
ITEM	DESCRIPTION	DESIGNATION	QTY	SUPPLIER CODE (SEE INDEX)
1	RESISTOR, W.W. 500Ω ± 5%	R1, R3	2	99, 100
2	↑ W.W. 250Ω ↓	R2	1	↑
3	W.W. 1K ↓	R4	1	↓
4	W.W. 1.5K ± 5%	R5	1	99, 100
5	27K ± 2%	R6	1	16, 17
6	1K ↑	R7, R8	2	↑
7	56K ↓	(P1) R10 THRU R42 (P2) R44, R47, R49	36	↓
8	↓ 1.8K ↓	(P2) R43, R45, R46, R48	4	↓
9	RESISTOR, 100K ± 2%	(P2) R50 THRU R60 (P3) R61 THRU R98	49	16, 17
10	SWITCH, LEVER *101520	S24	1	SDS
11	↑ *101266 ↓	S27	1	↑
12	*100934 ↓	S28	1	↓
13	*101521 ↓	S36	1	↓
14	SWITCH, LEVER *100933	S31 THRU S34, S38	5	↓
15	SWITCHLIGHT, P.B. *100051	S26	1	↓
16	SWITCH, ROTARY, 5 POS. *101038	S25	1	↓
17	↑ ROTARY, 4 POS. *101039 ↓	S37	1	SDS
18	↓ PUSH BUTTON N.C. *30-2NC ↓	S35	1	112
19	SWITCH, PUSH BUTTON N.O. *30-15	S1 THRU S23, S29, S30	25	↑
20	BUTTON, MOLDED *30B102 (RED)	S29, S35	2	↓
21	BUTTON, MOLDED *30B102 (BLUE)	S1 THRU S23, S30	24	112
22	INDICATOR, TRICOLOR *6977	DS2 THRU DS50	49	85, 96
23	RESISTOR, 3K ± 2%	(P2) R99, R100	2	16, 17

101157 | F |

NO. REQ.	DRAWING NO.	DESCRIPTION	REFERENCE DESIGNATION	ITEM NO.
MATERIAL LIST				
NOTES UNLESS SPECIFIED		DRAWN: <i>[Signature]</i>	<b>SDS</b> SCIENTIFIC DATA SYSTEMS 1845 FIFTEENTH STREET SANTA MONICA, CALIFORNIA	
1 TOLERANCES 20 ± .000 ANGULAR SEE ± .010 ± .1% 2 BREAK ALL SHARP EDGES .010 APPROX 3 HATCH SURFACES ✓ 4 ALL DIM. IN INCHES		CHECK: <i>[Signature]</i>		
		APPR: <i>[Signature]</i>	TITLE	
			SCHEMATIC, CONTROL PANEL	
MODEL NO.	910, 920	SIZE	DWG NO.	F
NEXT ASSY.	100946	SCALE	DO NOT SCALE DRAWING	SHEET 6 OF 6

REVISIONS				
REV	DESCRIPTION	CHK	DATE	APPROVED
G	SEE REV. E.O.			
H	SEE REV. E.O.			
J	SEE REVISION E.O.			
K	SEE REVISION E.O.			
L	SEE REVISION E.O.	SI		

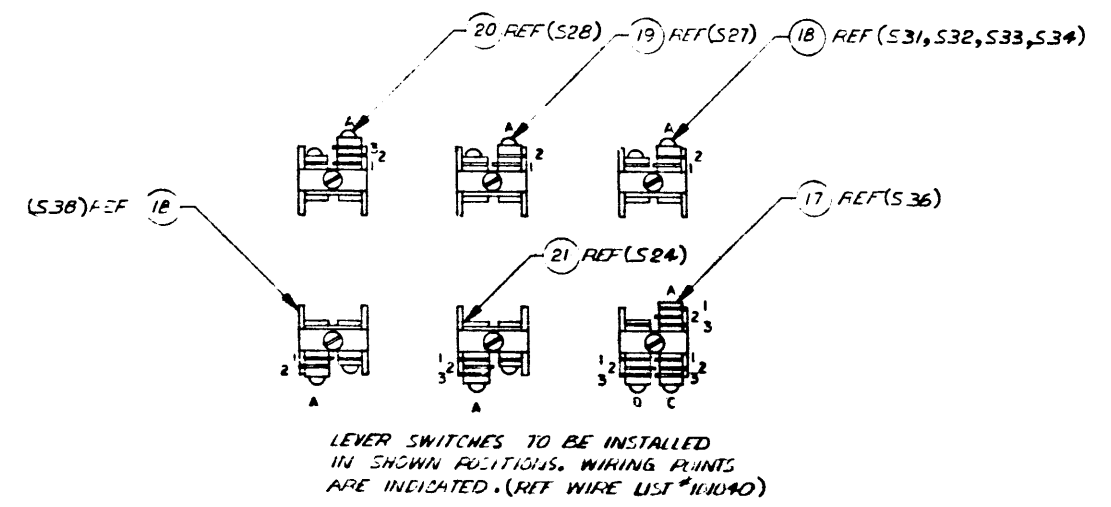
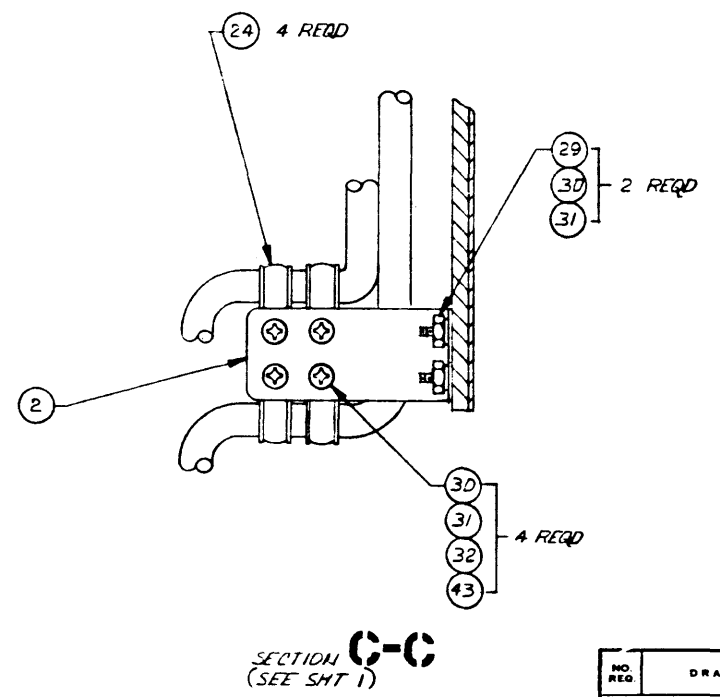
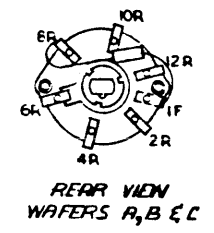
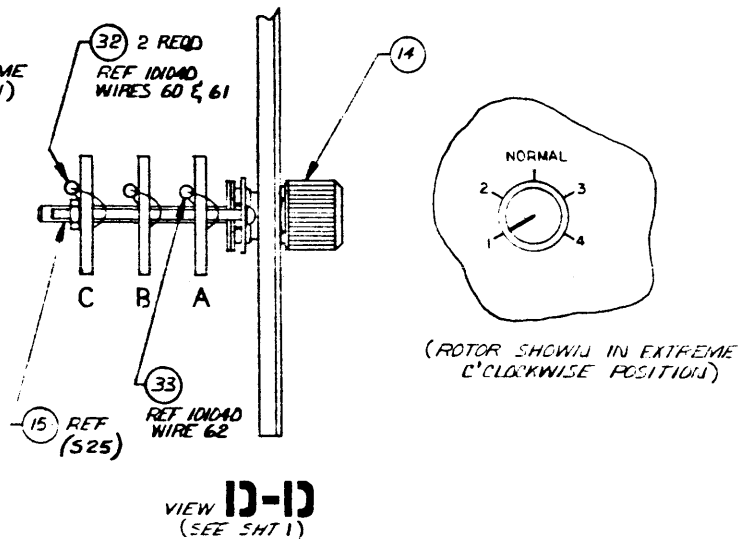
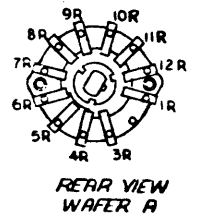
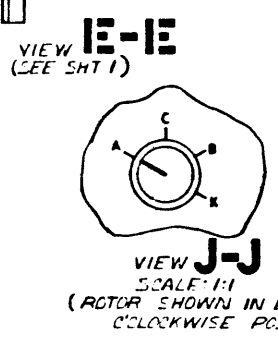
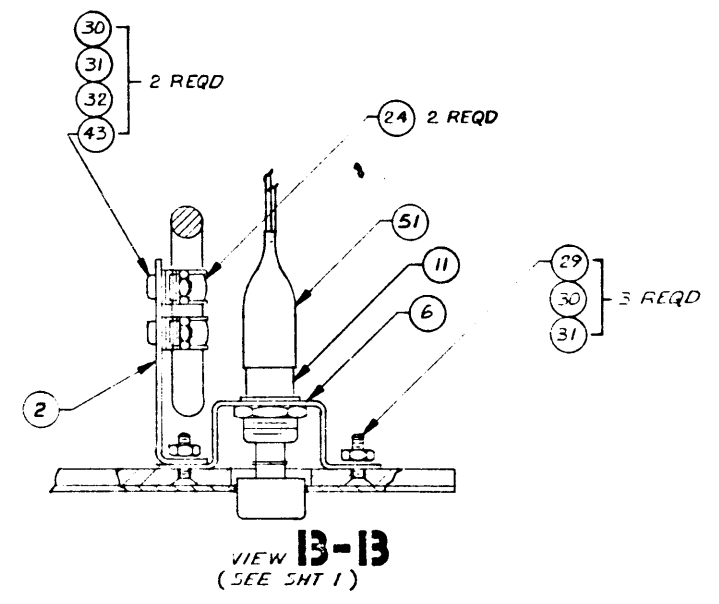
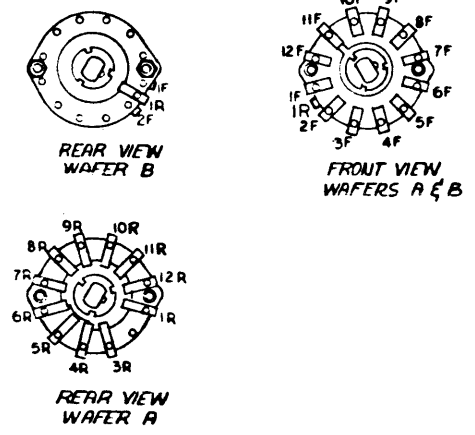
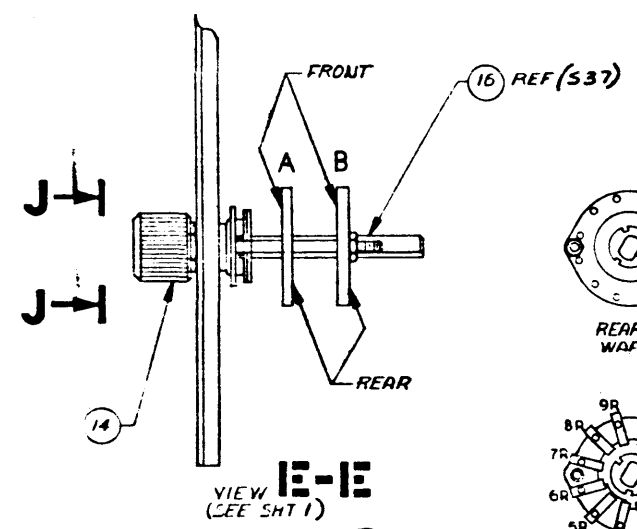
- NOTES: UNLESS OTHERWISE SPECIFIED
1. IDENTIFY PART PER SDS 100198.
  2. REF WIRE LISTS: 101040, 101041, 101042, 101043.
  3. LOCK WASHERS FURNISHED WITH ITEMS 15 & 16 TO BE ON REAR SIDE OF PANEL.
  4. MOUNT FLAT WASHERS (ITEM 52) ON REAR SIDE OF PANEL.



NO. REQ.	DRAWING NO.	DESCRIPTION	REFERENCE DESIGNATION	ITEM NO.
NOTES UNLESS SPECIFIED				
1. TOLERANCES XX ± .030 ANGULAR XXX ± .010				
2. BREAK ALL SHARP EDGES @ 10 APPROX.				
3. BACK SURFACE				
4. ALL DIM. IN INCHES				
DRAWN: [Signature]		MATERIAL LIST		
CHECK: [Signature]		SDS SCIENTIFIC DATA SYSTEMS		
APPR: [Signature]		1545 FIFTEENTH STREET SANTA MONICA, CALIFORNIA		
MODEL NO. 310/320		TITLE		
NEXT ASSY. 100913 100949		ASSY. CONTROL PANEL		
		SIZE	DWG. NO.	
		D	100946	L
SCALE		DO NOT SCALE DRAWING		SHEET 1 OF 4

100946(L)

REV		DESCRIPTION	CHEK	DATE	APPROVED
		SEE SHT ONE			



NO. REQD.	DRAWING NO.	DESCRIPTION	REFERENCE DESIGNATION	ITEM NO.
NOTES UNLESS SPECIFIED				
1. TOLERANCES XX = 0.00 ANGULAR SEE 2.019 2° W'		DRAWN <i>A. H.</i>	SDS SCIENTIFIC DATA SYSTEMS 1845 FIFTEENTH STREET SANTA MONICA CALIFORNIA	
2. BREAK ALL SHARP EDGES 3.0D APPROX.		CHECK <i>C. P. ...</i>	TITLE ASSY, CONTROL PANEL	
3. EACH SURFACE ✓		APPR. <i>...</i>	MODEL NO. 9ED	
4. ALL DIM. IN INCHES		NEXT ASSY. 100513 100549		SIZE DWS NO. D 100946 L
SCALE			DO NOT SCALE DRAWING	SHEET 2 of 4

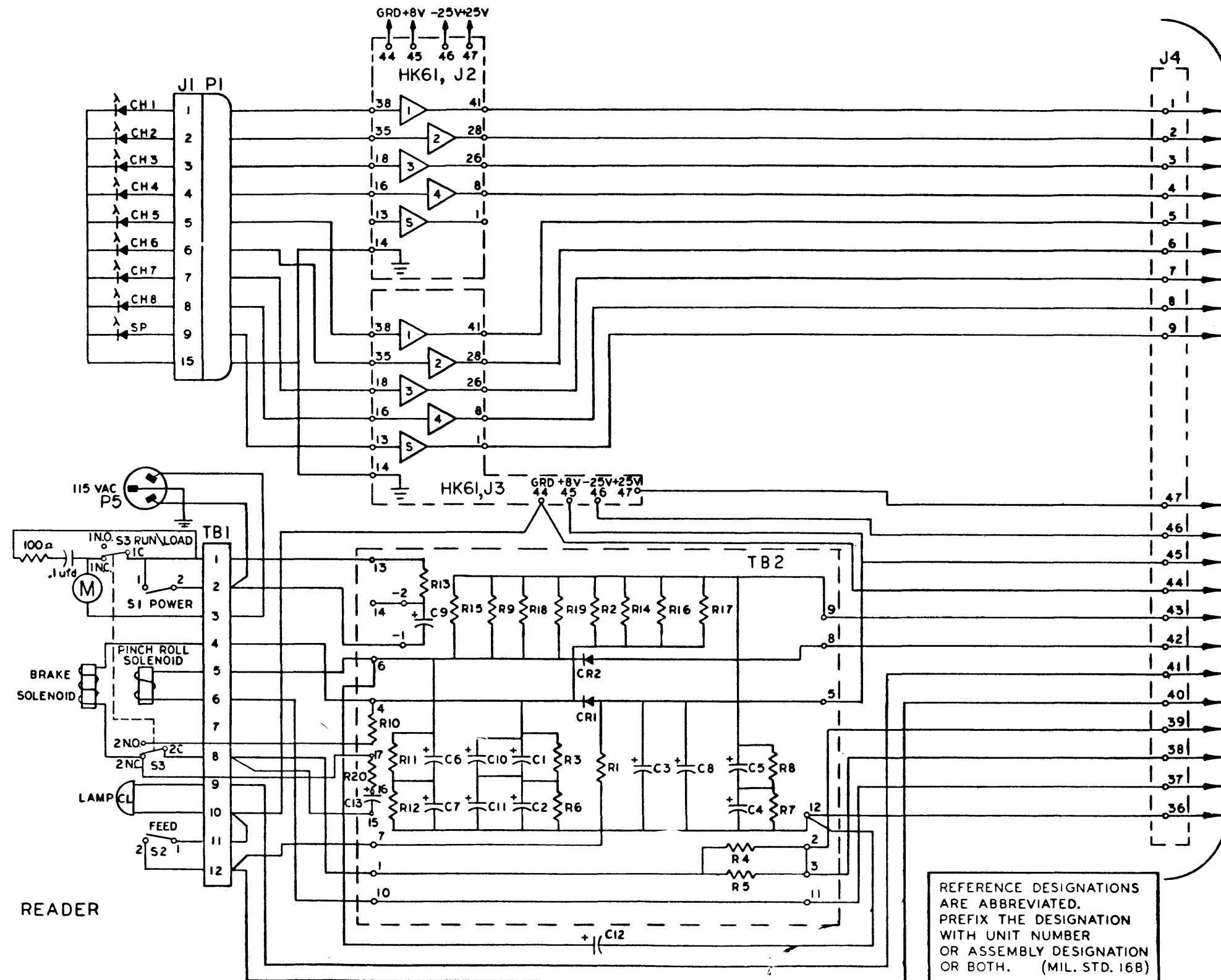
100946/L



REV	DWG. NO.	MATERIAL LIST	DWG. TITLE	SDS	SCIENTIFIC DATA SYSTEMS	ML	DWG. NO.	REV
	100946	ASSY. CONTROL PANEL	MOD # 910/920	DATE 7/10/68			100946	L
							SHEET 3 OF 4	
ITEM	DWG. TITLE	DWG. NO.	NO. REQ.	REMARKS OR CKT. DESIG.				
1	Assy, Indicator Board	100945	1					
2	Angle, Cable Clamp Mtg	100944	2					
3	Panel, Overlay Comp. Cont.	100052	1					
4	Panel, Sub Comp. Cont.	100056	1					
5	Angle, Switch Mtg	105185	1					
6	Bracket, Switch Mtg.	100058	1					
7	Assy, Cable Plug Module	100968	1	P1				
8	Assy, Cable Plug Module	100969	1	P2				
9	Assy, Cable Plug Module	100970	1	P3				
10	Switch, Pushbutton	101255-001	1	S35				
11	Switchlight P. B. Spec. Cont.	100051	1	S26				
12	<del>Switch, Push-button</del>	<del>100074-001</del>	<del>2</del>	<del>S35, S29</del>				
13	Switch, Push-button	101804-002	24	S1 thru S23, S30				
14	Knob, Knurled	100059	2	S25, S37				
15	Switch, Rotary 5 Pos.	101038	1	S25				
16	Switch, Rotary 4 Pos.	101039	1	S37				
17	Switch, Lever	101521	1	S36				
18	Switch, Lever Form A Lock	100933	5	S 31, 32, 33, 34, 38				
19	Switch, Lever, Form A Lock Non-Lock	101266	1	S27				
20	Switch, Lever Form D Lock	100934	1	S28				
21	Switch, Lever, Form C Lock Non-Lock	101520	1	S24				
22	Switch, Pushbutton	101804-001	1	S29				
23	Nut, Ring	100114	26					
24	Clamp, Cable Nylon	100657-005	6					
25	Standoff, Threaded Rivet	101666-402	6					
26	Wire, Solid Bare	100042-024	50 Ft					
27	Tubing, Teflon	100274-022	50 Ft					
28	Screw, Pan Hd Rec. Phillip	100012-306	2					
29	Screw, Fl. Hd, Phil. (100%)	100039-308	5					
30	Nut, Hex Machine	100008-300	11					
31	Washer, Lock Int. Tooth	100024-300	13					
32	Washer, Flat	100018-300	8					
33	Resistor, 1/2 watt	100111-102	2	Ref. Wire List				
34	Resistor, 1/2 watt	100111-273	1	Ref. Wire List				
35	List, Wire, Cont. Panel	101040	x	Ref.				
36	List, Wire (Cable Plug Mod	101041	x	Ref. P1				
37	List, Wire, Cable Plug Mod.	101042	x	Ref. P2				
38	List, Wire, Cable Plug Mod.	101043	x	Ref. P3				



REVISIONS				103628	E
REV.	DESCRIPTION	CHK	DATE	APPROVED	
D	REVISED & RE-DRAWN RELEASED TO MFG.				
E	SEE REV E0				



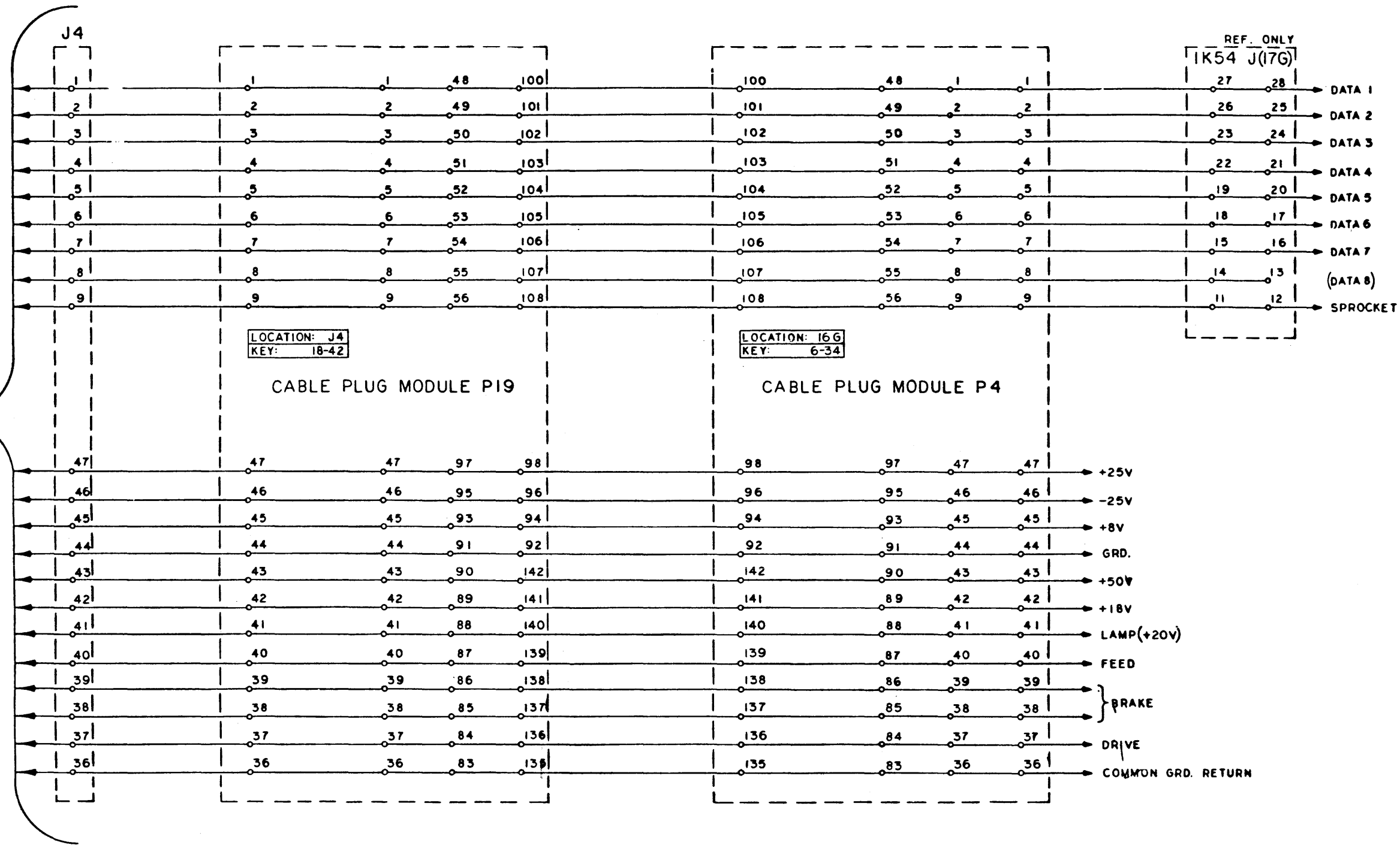
SEE SHEET #2

REFERENCE DESIGNATIONS ARE ABBREVIATED. PREFIX THE DESIGNATION WITH UNIT NUMBER OR ASSEMBLY DESIGNATION OR BOTH. (MIL. STD. 16B)

NO. REV.	DRAWING NO.	DESCRIPTION	REFERENCE DESIGNATION	ITEM NO.
NOTES UNLESS SPECIFIED				
1. TOLERANCES UNLESS SPECIFIED		DRAWN <i>Fernandez</i> 3/24/64		
2. 2.000 ANGULAR 2.010 ±.010		CHECK <i>[Signature]</i> 3/25/64		
3. BREAK ALL SHARP EDGES .010 APPROX.		APPR <i>[Signature]</i> 3/25/64		
4. HAZY SURFACES ✓		TITLE		
5. ALL DIM. IN INCHES		SCIENTIFIC DATA SYSTEMS SANTA MONICA, CALIFORNIA		
		SCHEMATIC, TAPE READER		
MODEL NO.	9131 9130	SIZE	DWG NO.	CHANGES LAYER
NEXT ASSY	100937 104577		D	103628 E
		SCALE	DO NOT SCALE DRAWING	SHEET 1 OF 3

1100201E

REVISIONS				103628	E
REV.	DESCRIPTION	CHK	DATE	APPROVED	
	SEE SHEET ONE				



SEE SHEET #1

103628/E

NO. REV.	DRAWING NO.	DESCRIPTION	REFERENCE DESIGNATION	ITEM NO.
NOTES UNLESS SPECIFIED				
1. TOLERANCES UNLESS SPECIFIED		DRAWN <i>Fernandez</i> 3/24/64	MATERIAL LIST	
2. DIMENSIONS UNLESS SPECIFIED		CHECK <i>[Signature]</i> 7/25/64	SDS SCIENTIFIC DATA SYSTEMS SANTA MONICA, CALIFORNIA	
3. BREAK ALL SHARP EDGES & 90° ANGLES		APPR. <i>[Signature]</i> 7/25/64	TITLE	
4. HATCH SURFACES			SCHEMATIC, TAPE READER	
5. ALL DIM. IN INCHES				
MODEL NO.	9131		SIZE	DWG. NO.
	9130		D	103628
NEXT ASSY.	100937		SCALE	DO NOT SCALE DRAWING
	104577			SHEET 2 OF 3

REVISIONS				103628	E
REV	DESCRIPTION	CHK	DATE	APPROVED	
✓	SEE SHEET ONE				

REPLACEMENT PARTS LIST

ITEM	DESCRIPTION	DESIGNATION	QTY	SUPPLIER CODE (SEE INDEX)
1	CONNECTOR, SOLDER TAIL, 47 CONTACT, #7008-47	J2, J3, J4	3	82
2	RESISTOR, 2.2K $\Omega$ $\pm$ 2%	(TB2) R1	1	16,17
3	8.2K $\Omega$ $\pm$ 2%	(TB2) R3, R6, R7, R8, R11, R12	6	16,17
4	WW 10 $\Omega$ $\pm$ 5%	(TB2) R4, R5, R10	3	99,100
5	10 $\Omega$ $\pm$ 2%	(TB2) R13, R20	2	36, 38, 73
6	RESISTOR, WW 500 $\Omega$ $\pm$ 5%	(TB2) R2, R14, R16, R17	4	99,100
7	DIODE, SILICON IN3169	(TB2) CR1, CR2	2	2, 30, 68
8	CAPACITOR, TANTALUM 15 $\mu$ F $\pm$ 20% 50V	(TB2) C4, C5, C13	3	22, 23, 77
9	CAPACITOR, TANTALUM 4.7 $\mu$ F $\pm$ 20% 50V	(TB2) C3, C8	2	22, 23, 77
10	CAPACITOR, TANTALUM 4.7 $\mu$ F $\pm$ 20% 35V	(TB2) C1, C2, C6, C7, C10, C11	6	22, 23, 67
11	CAPACITOR, OIL, 25 $\mu$ F $\pm$ 20% 100V	(TB2) C9	1	80, 81
12	CORD, AC CORD #16/3 SPT-3 WITH PLUG #PA-3	P5	1	101
13	RESISTOR, WW, 250 $\Omega$ $\pm$ 5%	(TB2) R9, R15, R18, R19	4	99, 100
14	CONNECTOR, 15 PIN, FEMALE DA-15S	P1	1	134
15	CAPACITOR, ELECTROLYTIC 250 $\mu$ F 150 V	C12	1	57, 58, 59

MODULE LIST

ITEM	DESCRIPTION	MODEL	QTY.
1	PHOTO SENSE AMPLIFIER	HK 61	2

NO. REQ.	DRAWING NO.	DESCRIPTION	REFERENCE DESIGNATION	ITEM NO.
MATERIAL LIST				
NOTES UNLESS SPECIFIED		DRAWN <i>Fernandy</i> 3-24-66	<b>SDS</b> SCIENTIFIC DATA SYSTEMS 1142 FIFTEENTH STREET, SANTA MONICA, CALIFORNIA	
1. TOLERANCES XX ± 0.00 XX ± 0.01	ANGULAR 2X	CHECK <i>[Signature]</i> 3-25-66	TITLE <b>SCHEMATIC, TAPE READER</b>	
2. BREAK ALL SHARP EDGES 0.10 APPROX		APPR <i>[Signature]</i> 3-25-66		
3. HATCH SURFACES <input checked="" type="checkbox"/>			MODEL NO. 9131 5130	
4. ALL DIM IN INCHES			NEXT ASSY 100937 104577	
SCALE		DO NOT SCALE DRAWING		SHEET 3 OF 3



PAGE	CHG	PAGE	CHG	PAGE	CHG	PAGE	CHG	PAGE	CHG
1	D								
2	E								
3	A								
4	A								
5	A								
6	A								
7	A								
8	A								
9	A								
10	A								
11	E								
12	A								
13	A								
14	A								
15	C								
16	A								
17	A								
18	A								
19	A								
20	A								
21	A								
22	C								
23	A								
24	A								
25	A								
26	C								
27	D								
28	A								
29	A								
30	A								
31	A								
32	A								
33	A								
34	B								

104337 PAGE	REPLACES 101701 PAGE
2	1
3	29
4	30
5	36
6	40
7	41
8	52
9	58
10	64
11	66
12	67
13	83
14	99
15	110
16	111
17	112
18	114
19	—

104337 PAGE	REPLACES 101701 PAGE
20	139
21	141
22	143
23	145
24	146
25	147
26	150
27	151
28	152
29	153
30	164
31	168
32	169
33	170
34	44

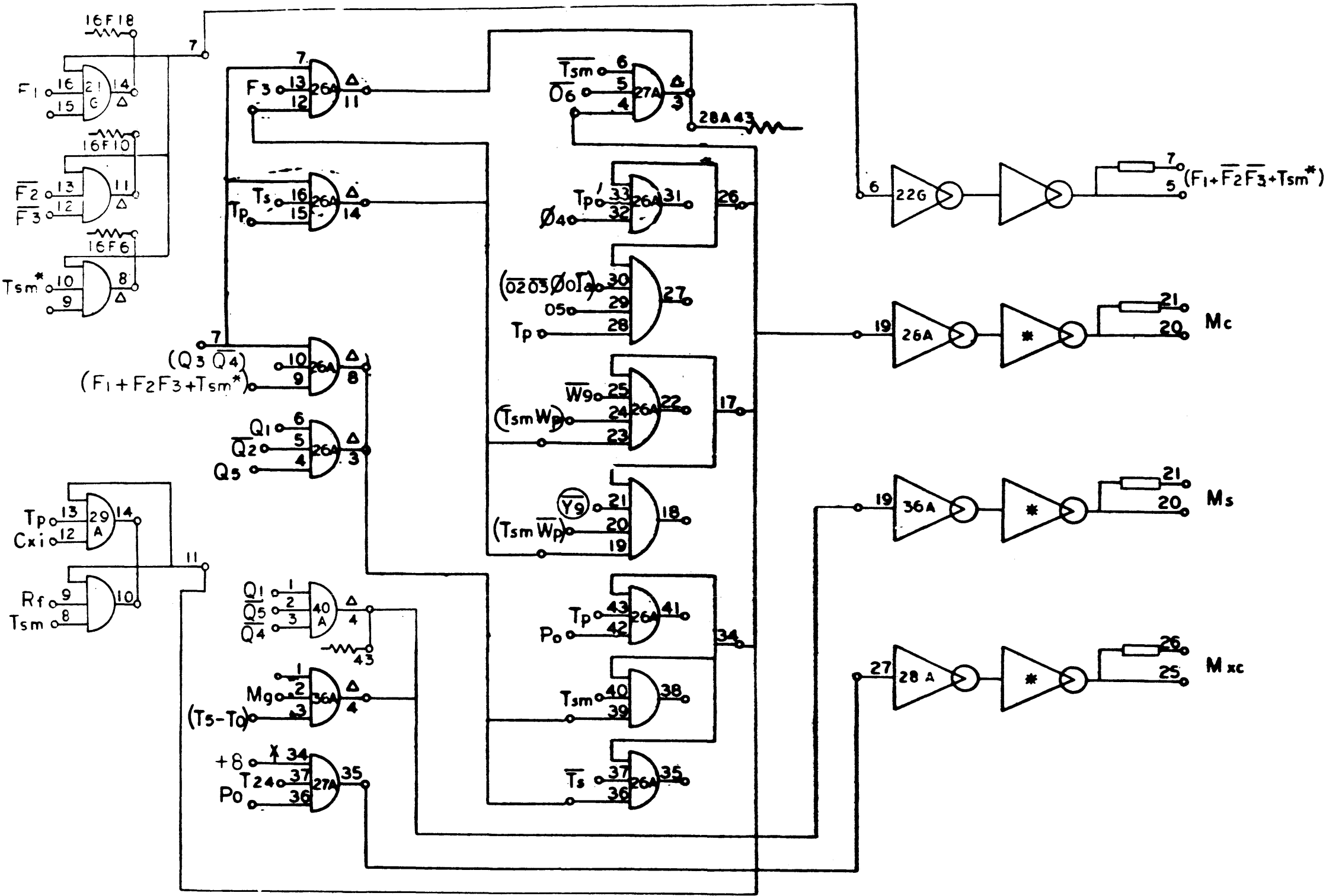
*THIS DWG REPLACES IN PART, DWG 101701, WHEN A 920 COMPUTER IS USED IN CONJUNCTION WITH A 9149 HIGH SPEED INTERLACE. THE PAGES OF THIS DWG REPLACE PAGES OF 101701 AS INDICATED ABOVE:*

**NOTES:**

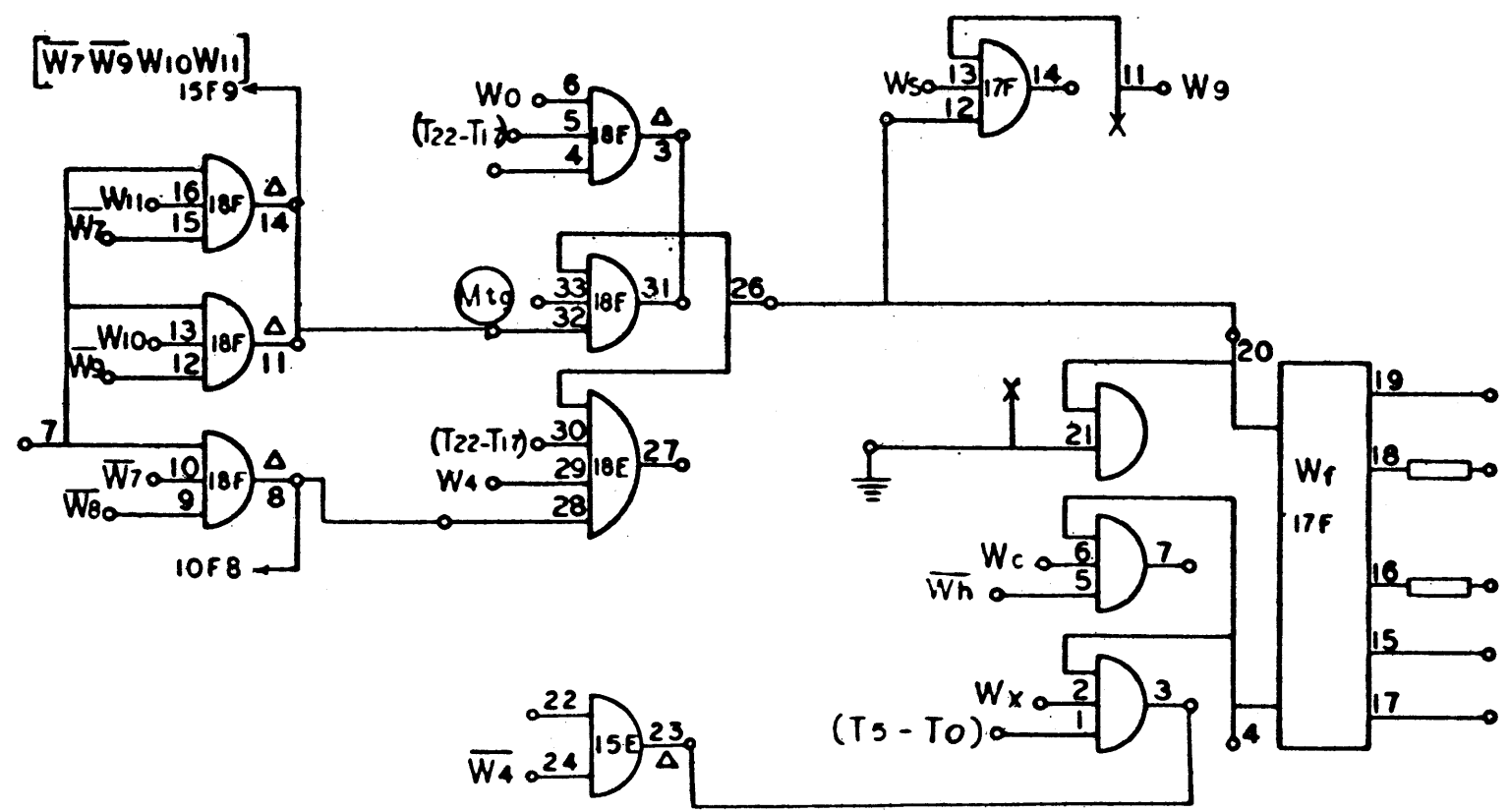
1. REV LETTERS LISTED INDICATE STATUS OF EACH SHEET OF THIS MULTIPLE SHEET DRAWING.
2. CHECK INDIVIDUAL SHEETS FOR REVISION LETTER AGAINST THIS SHEET BEFORE USING THIS DRAWING.

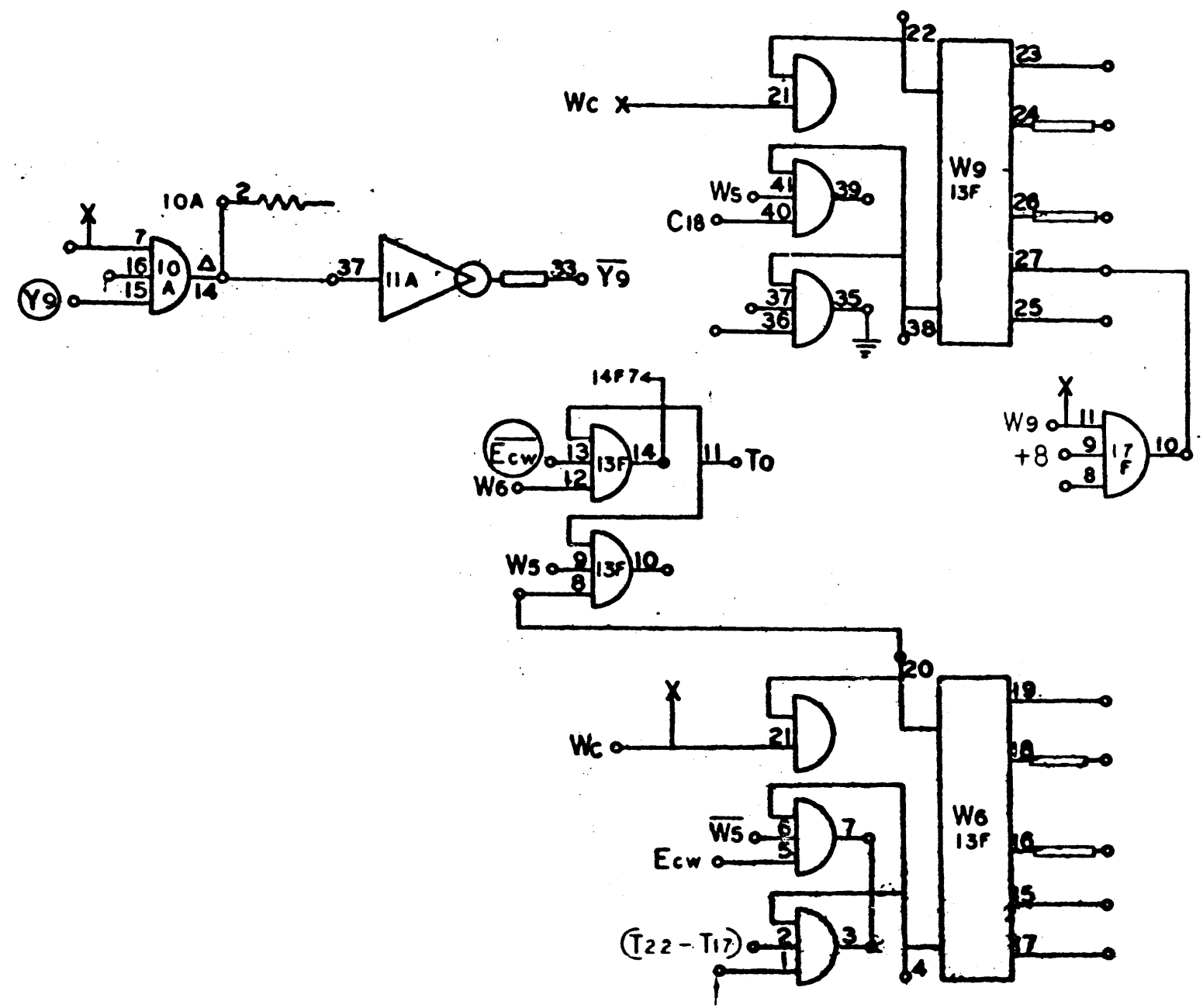
<p>REFERENCE DESIGNATIONS ARE ABBREVIATED. PREFIX THE DESIGNATION WITH UNIT NUMBER OR ASSEMBLY DESIGNATION OR BOTH. (MIL. STD. 168)</p>
---

920(MOD)  
COMPUTER  
PAGE 1  
D

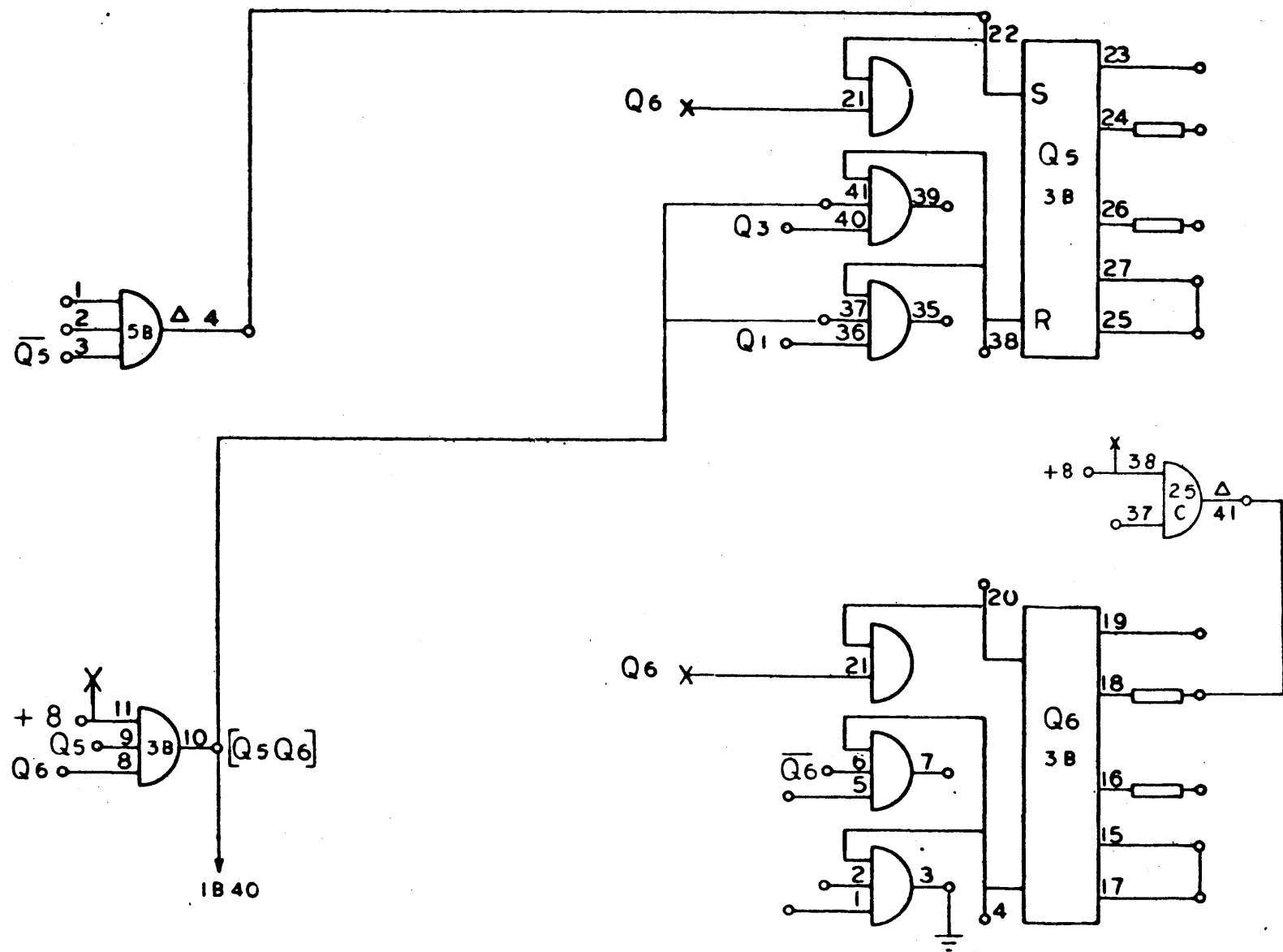


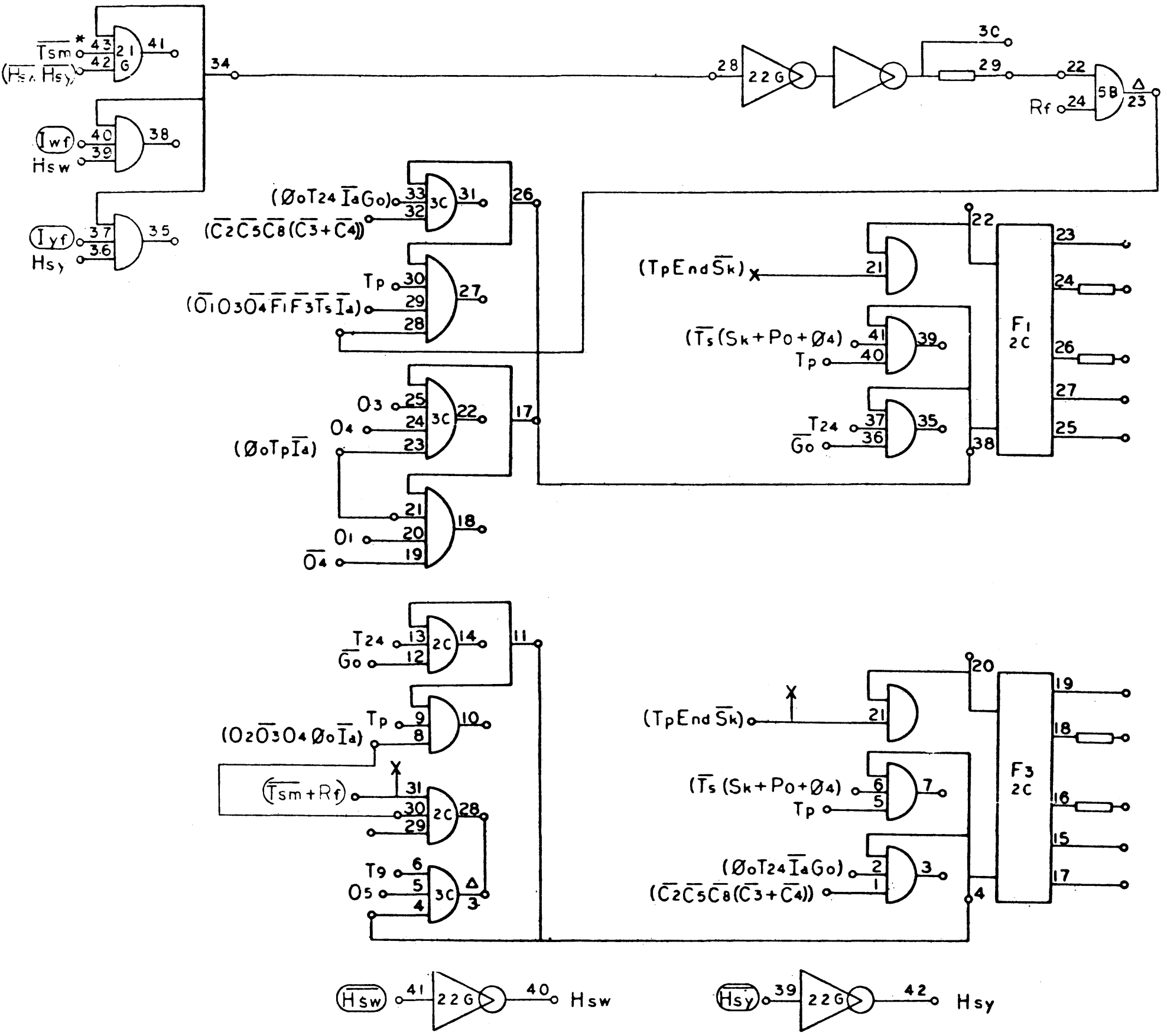


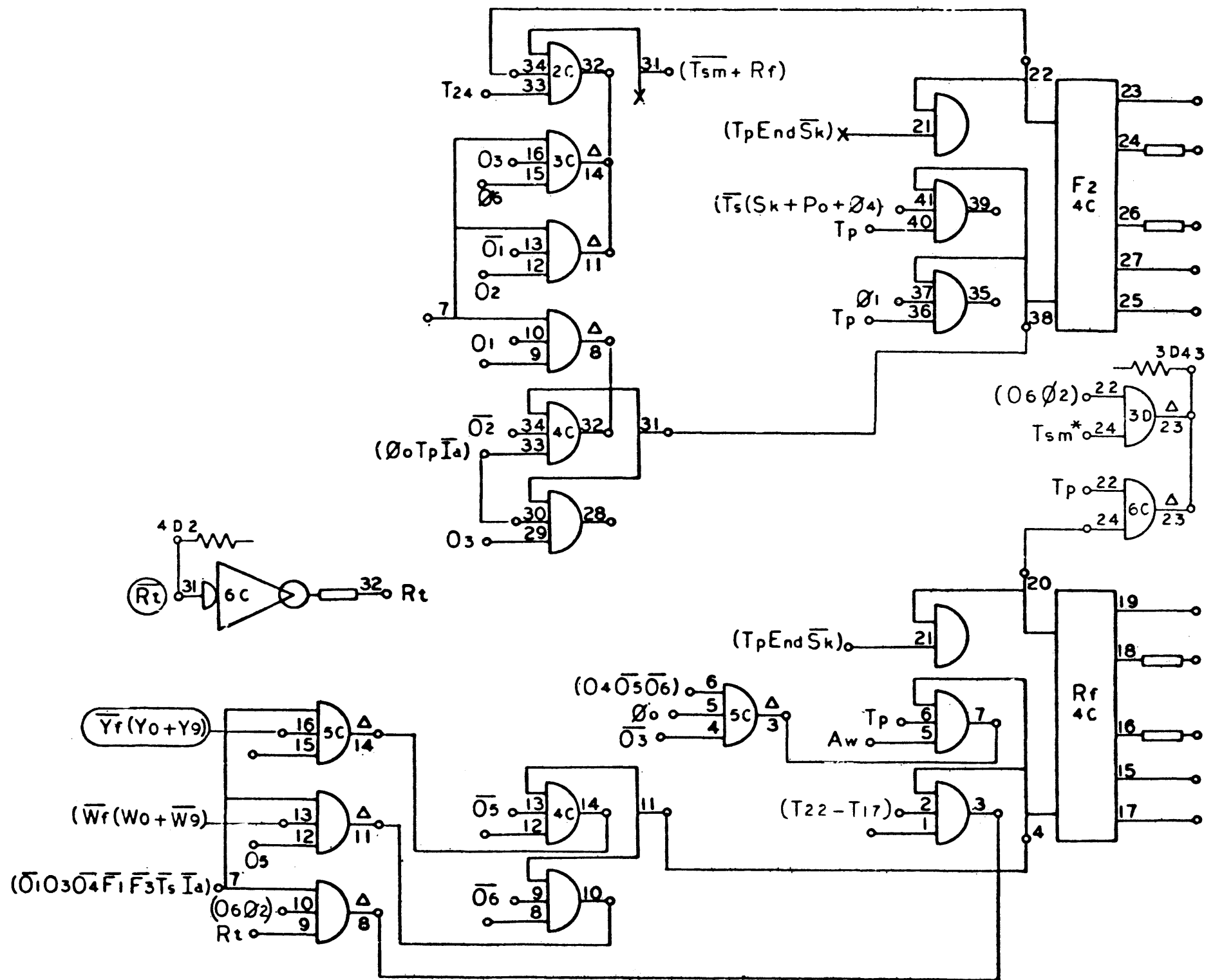


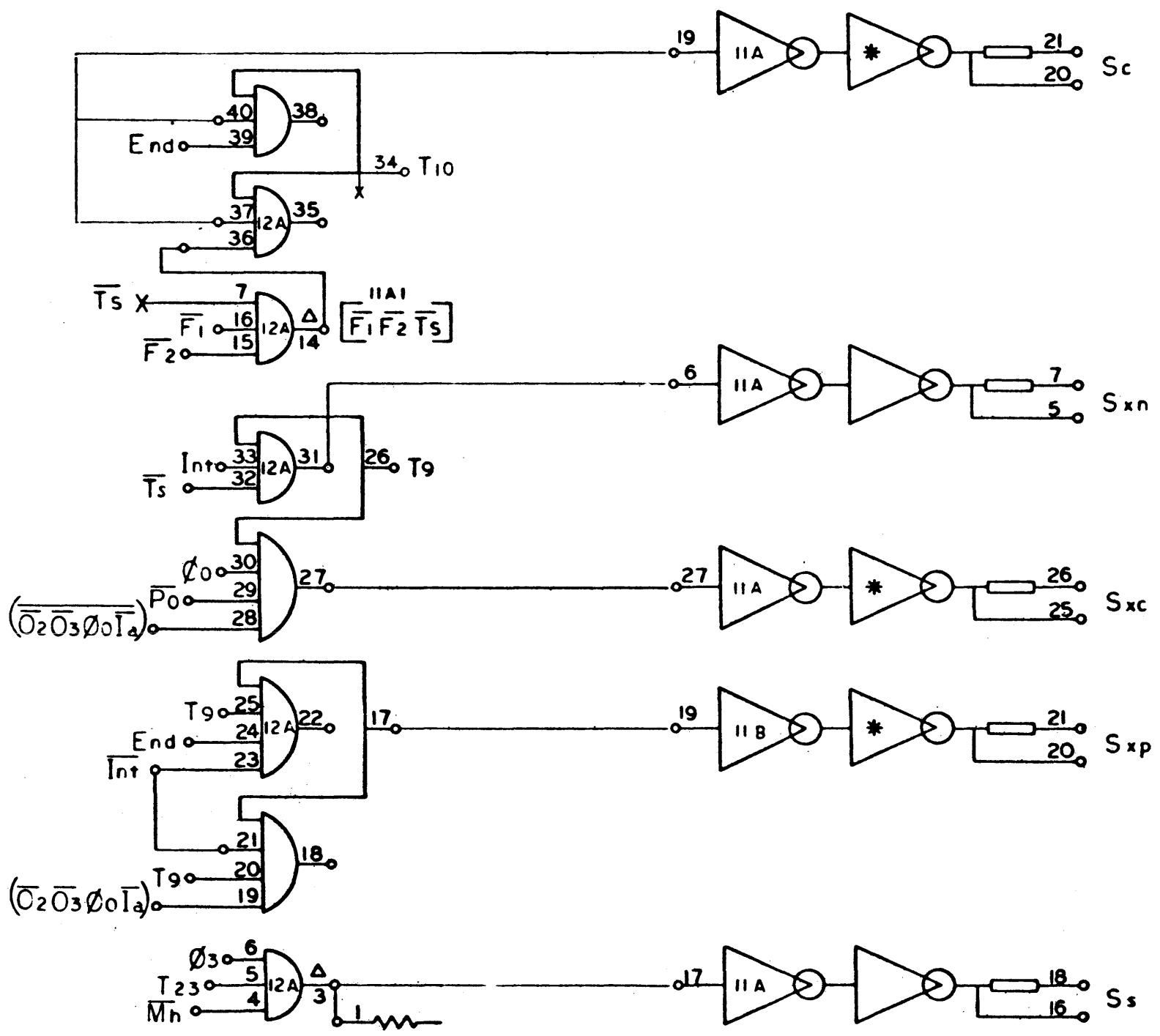


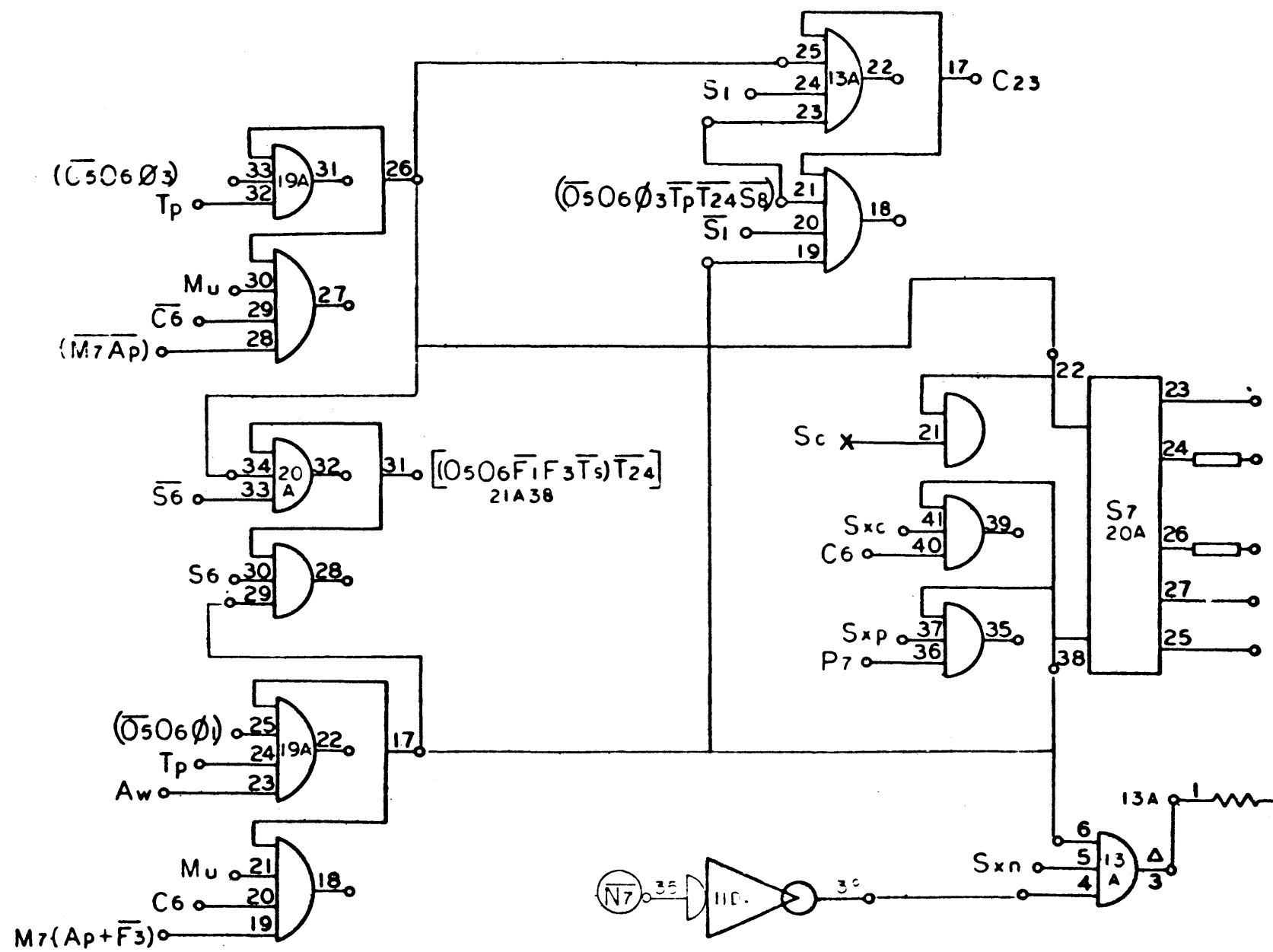
920  
 Page 36  
 920(MOD)  
 Page 5  
 A

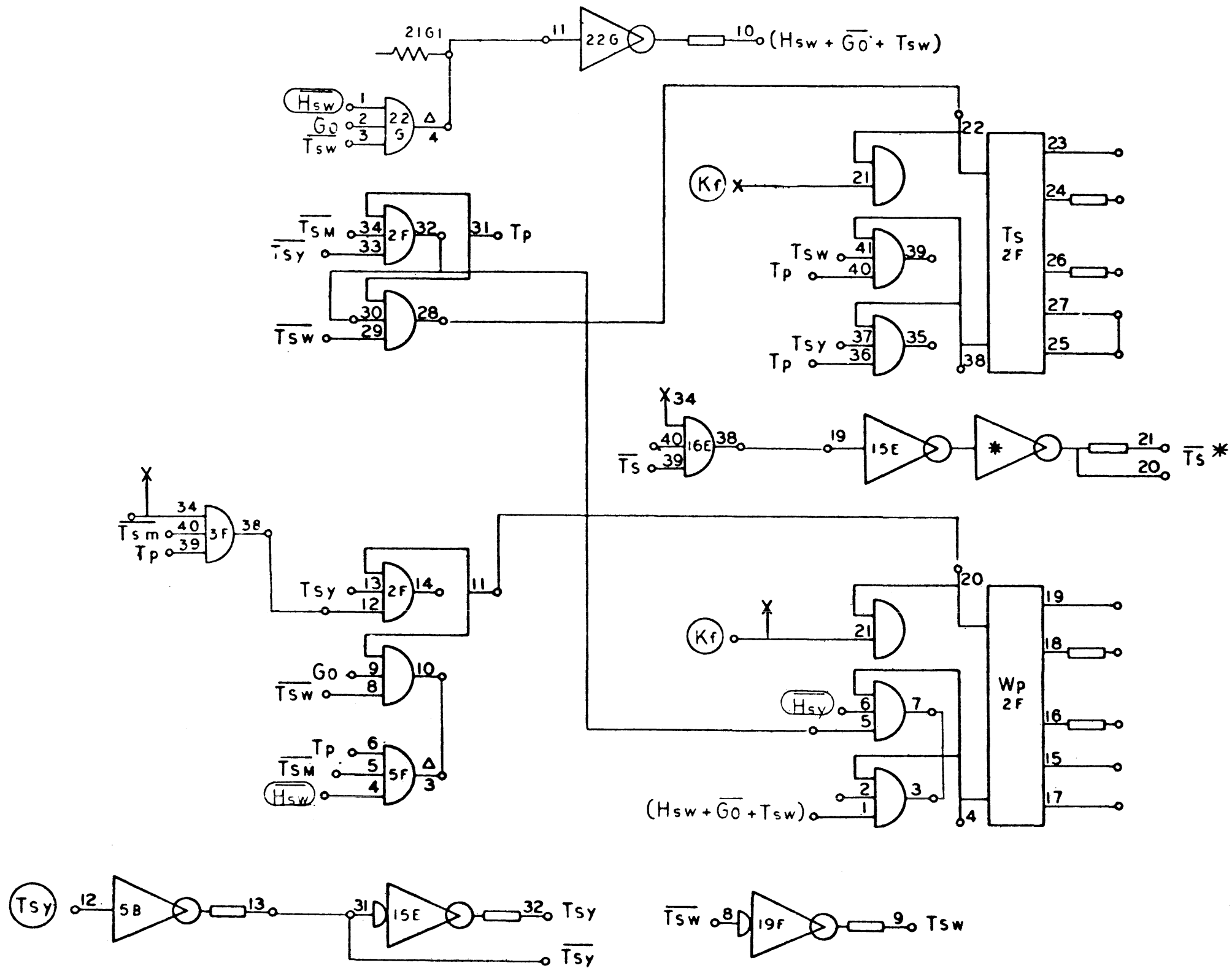




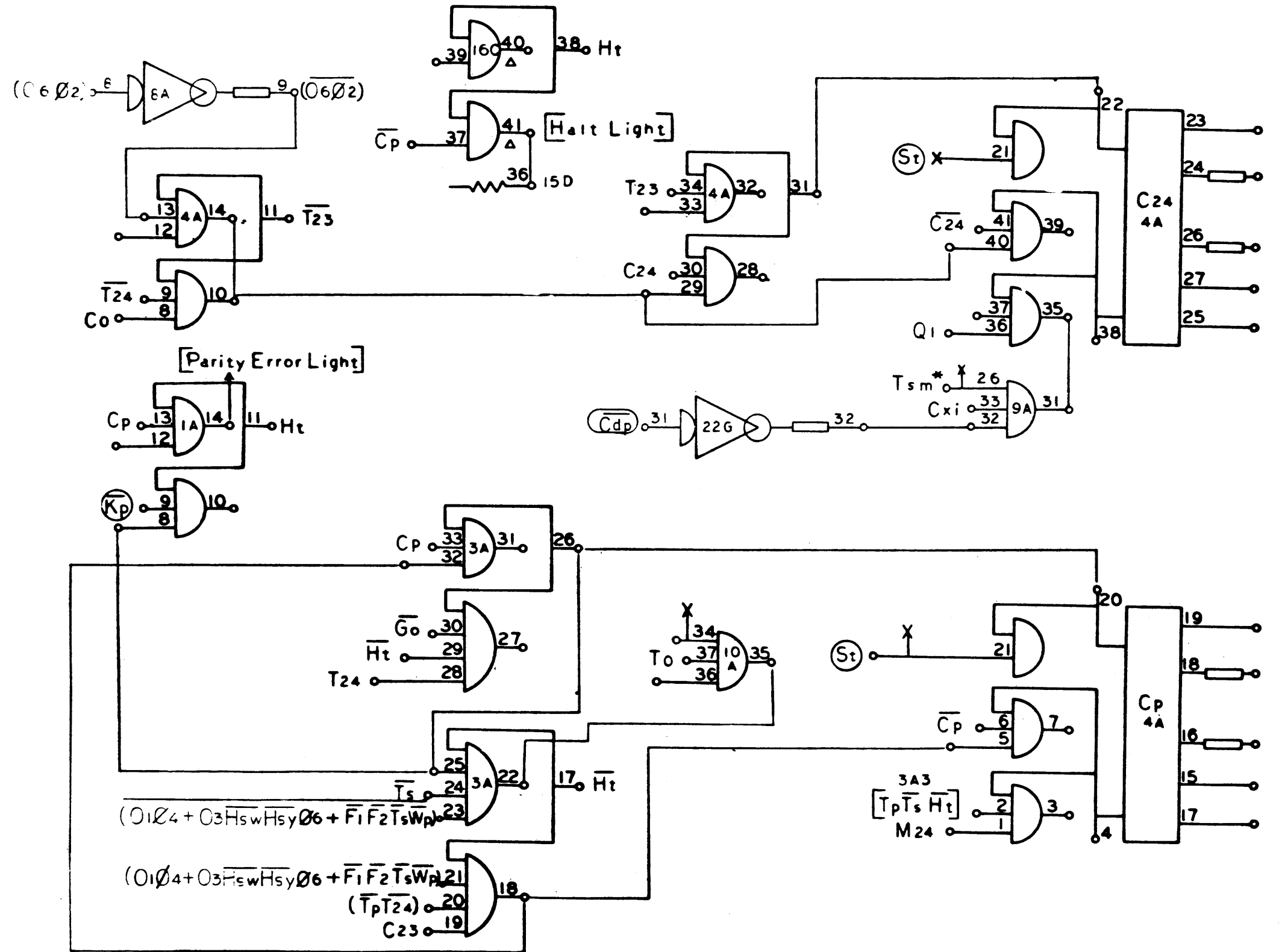


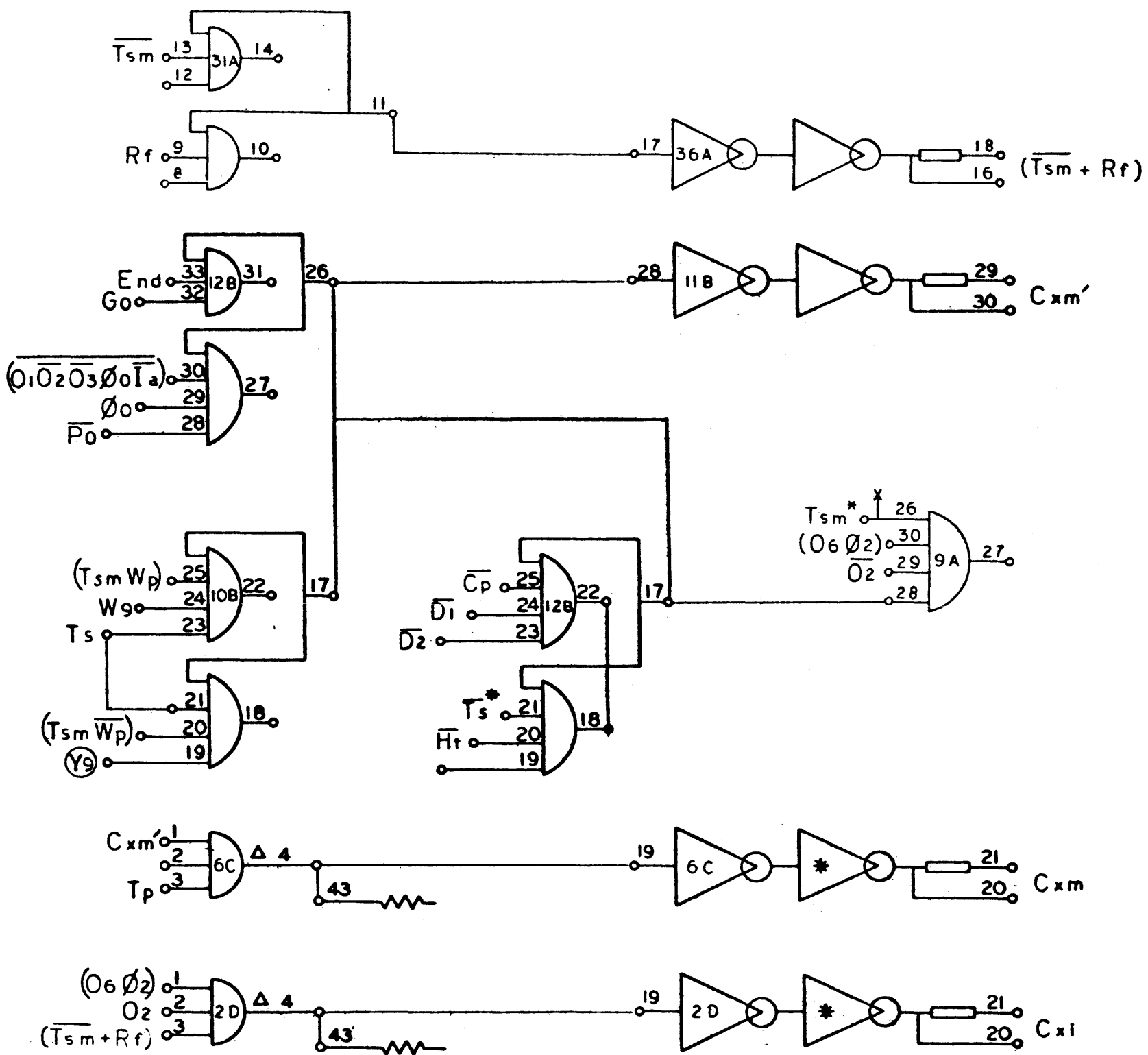


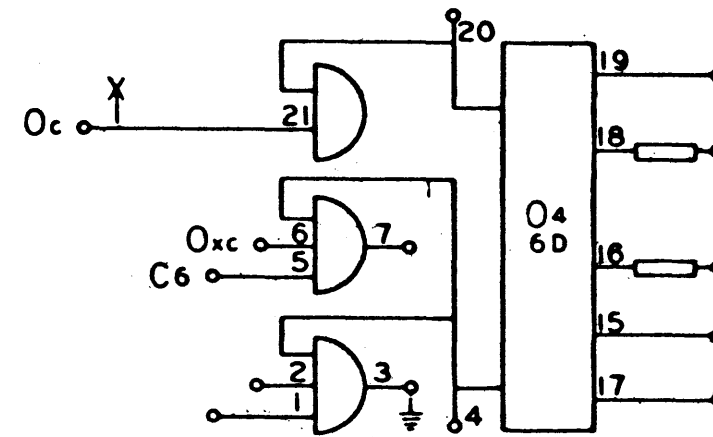
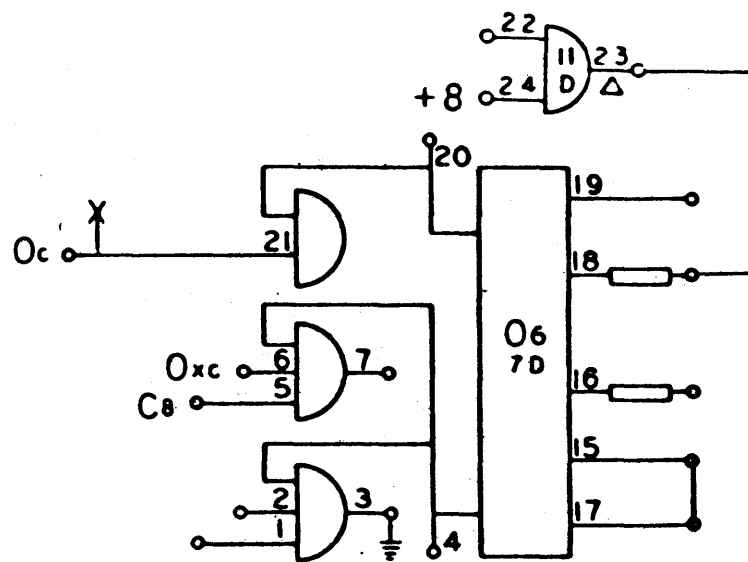
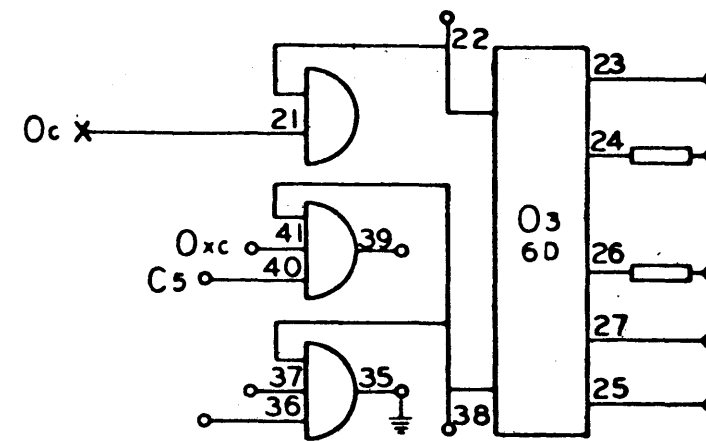
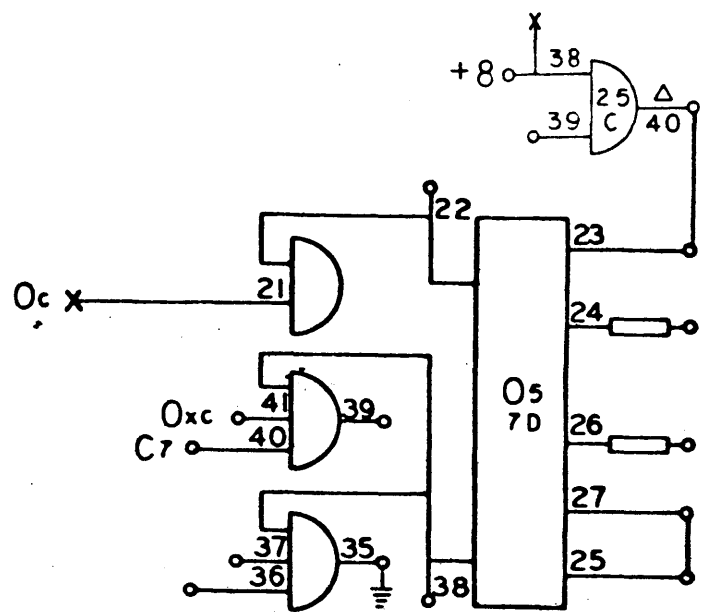


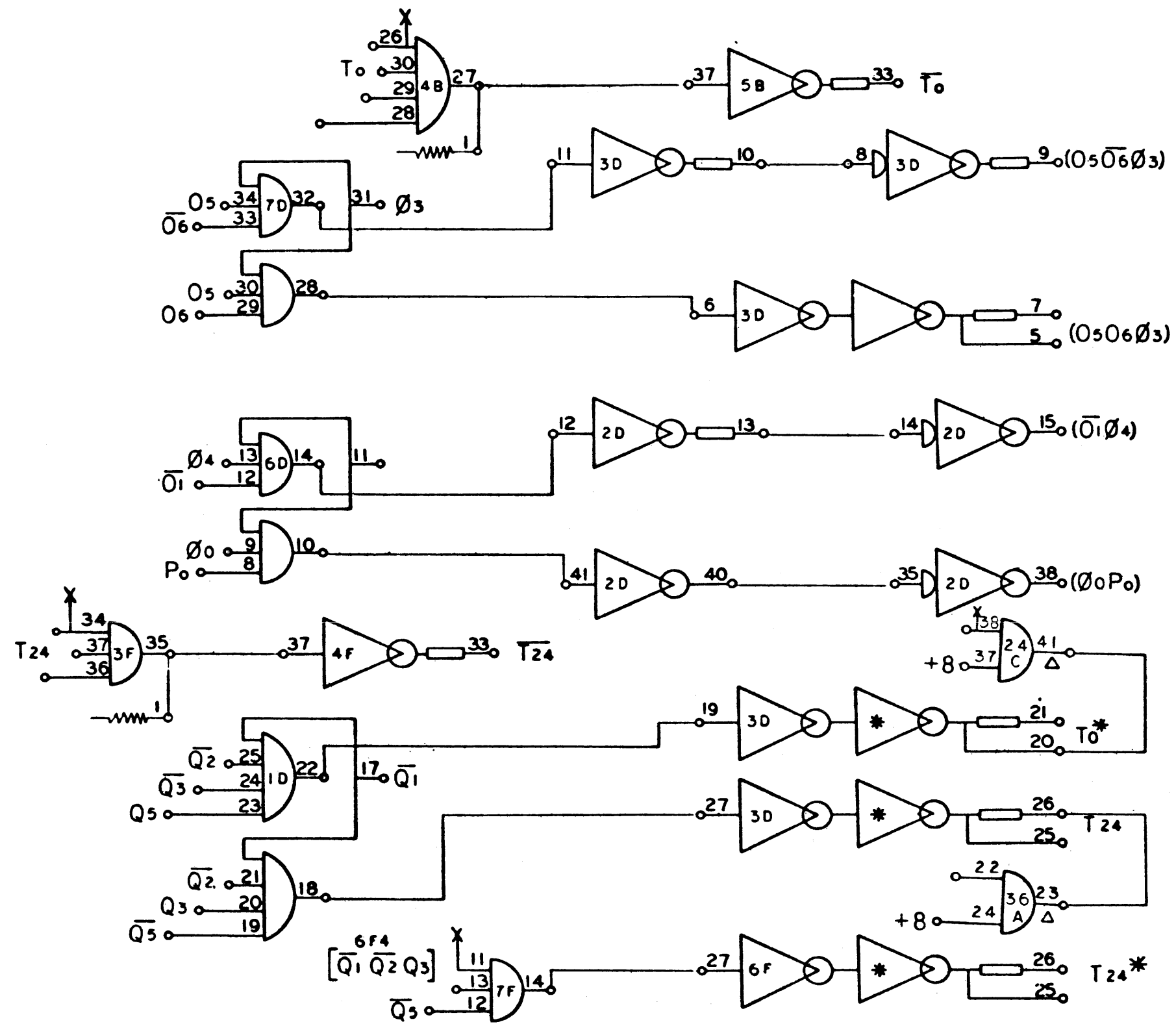


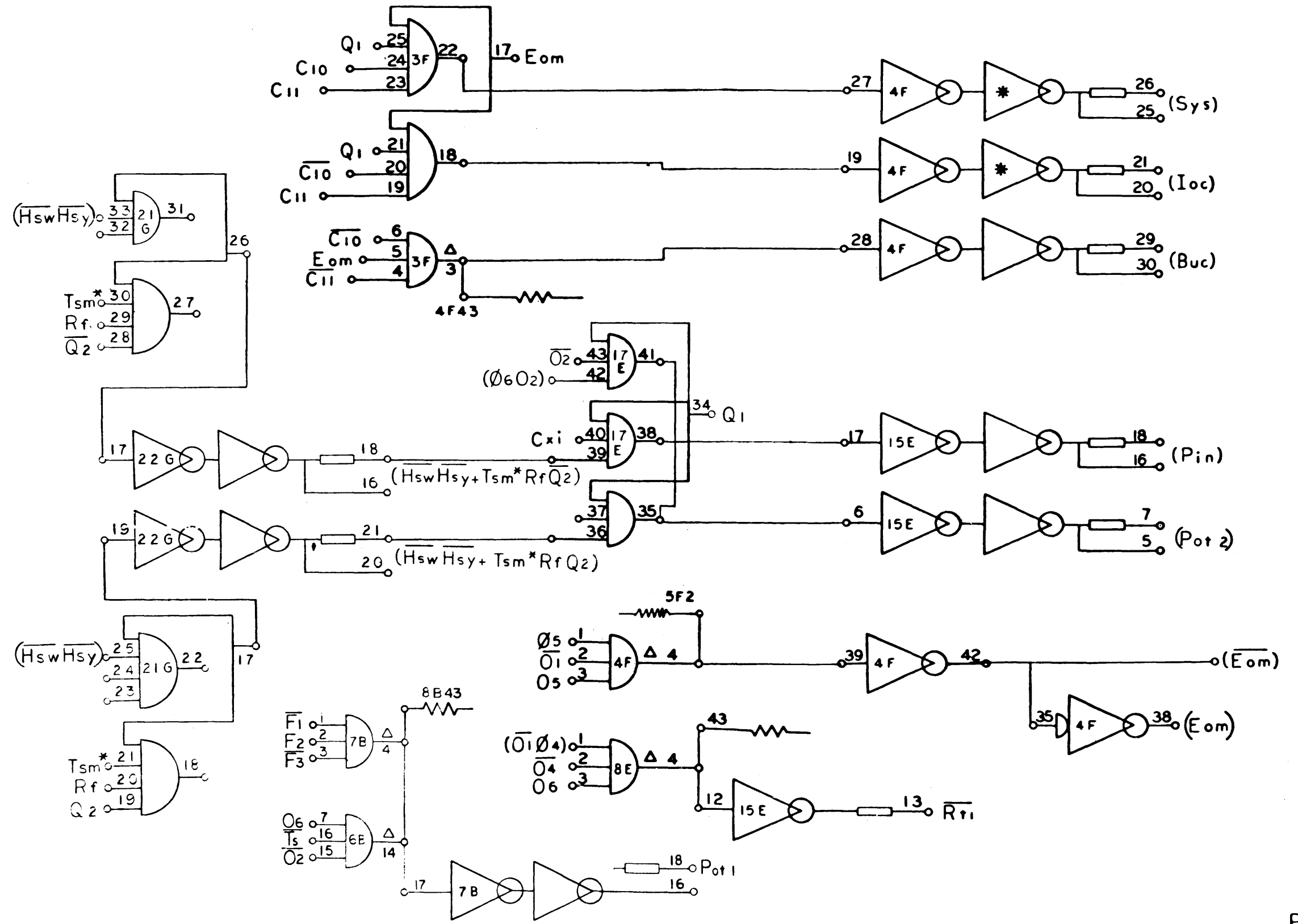


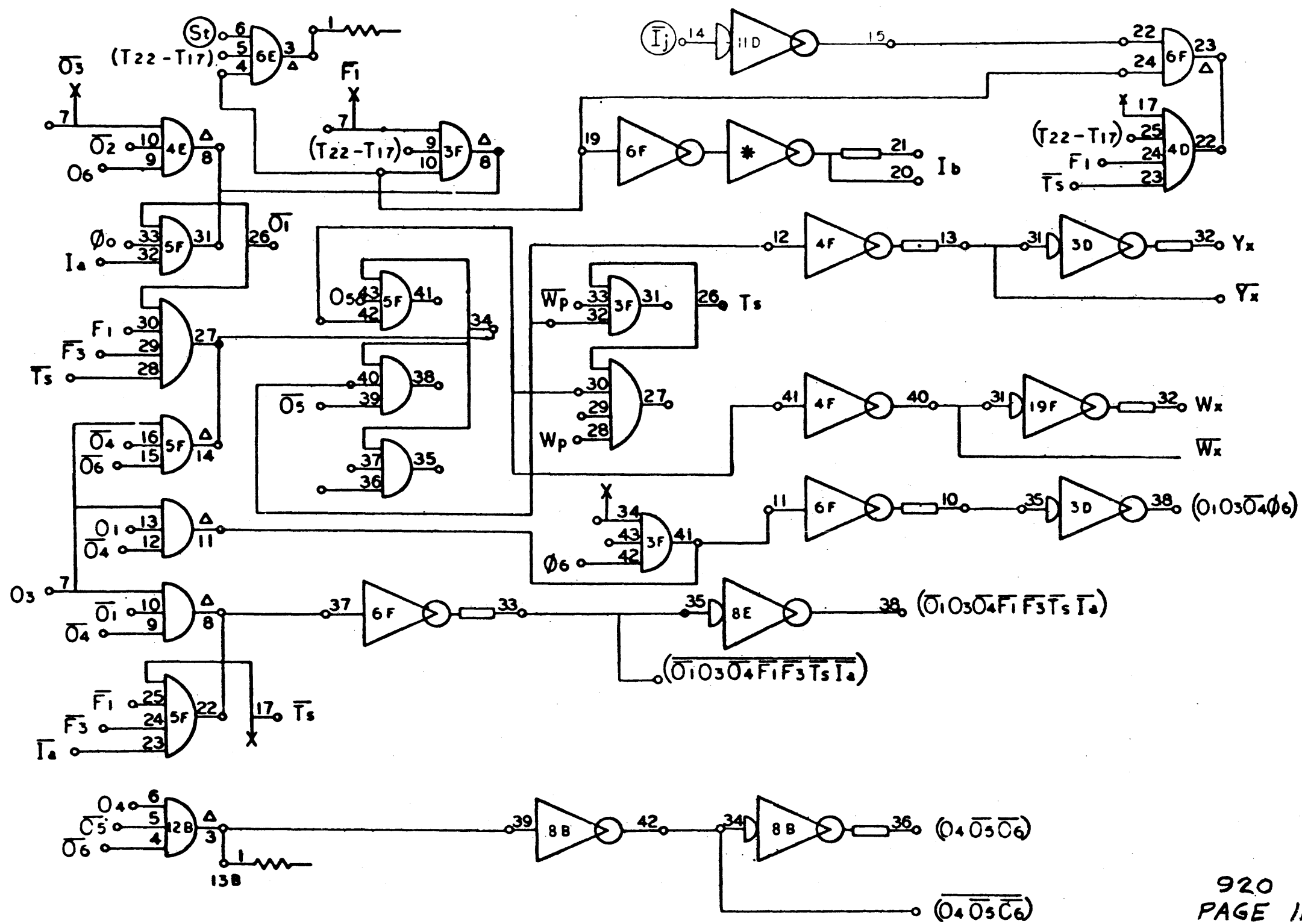




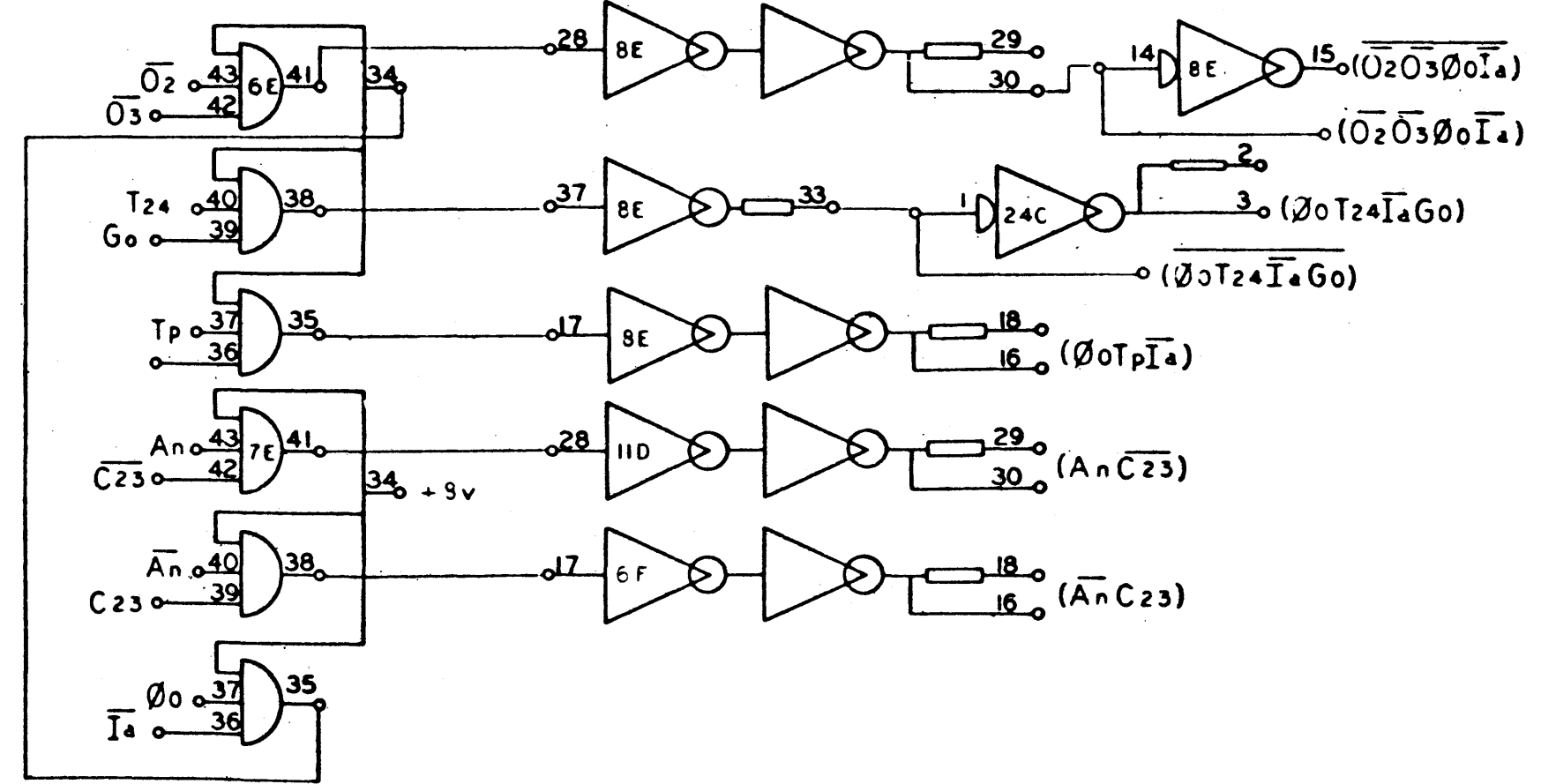
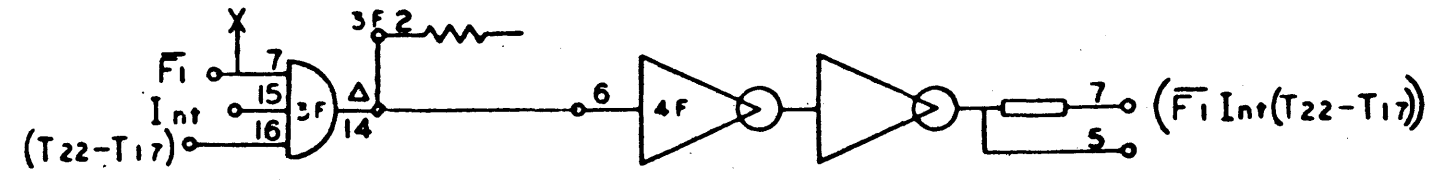
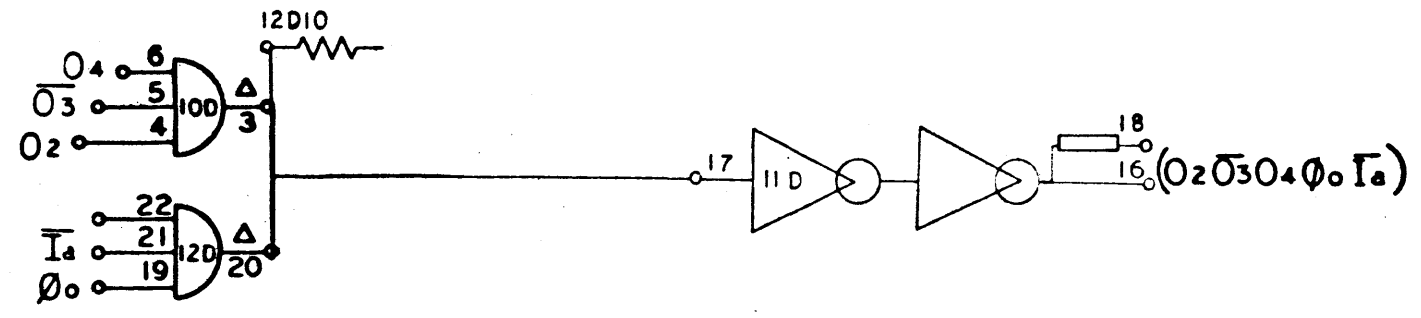


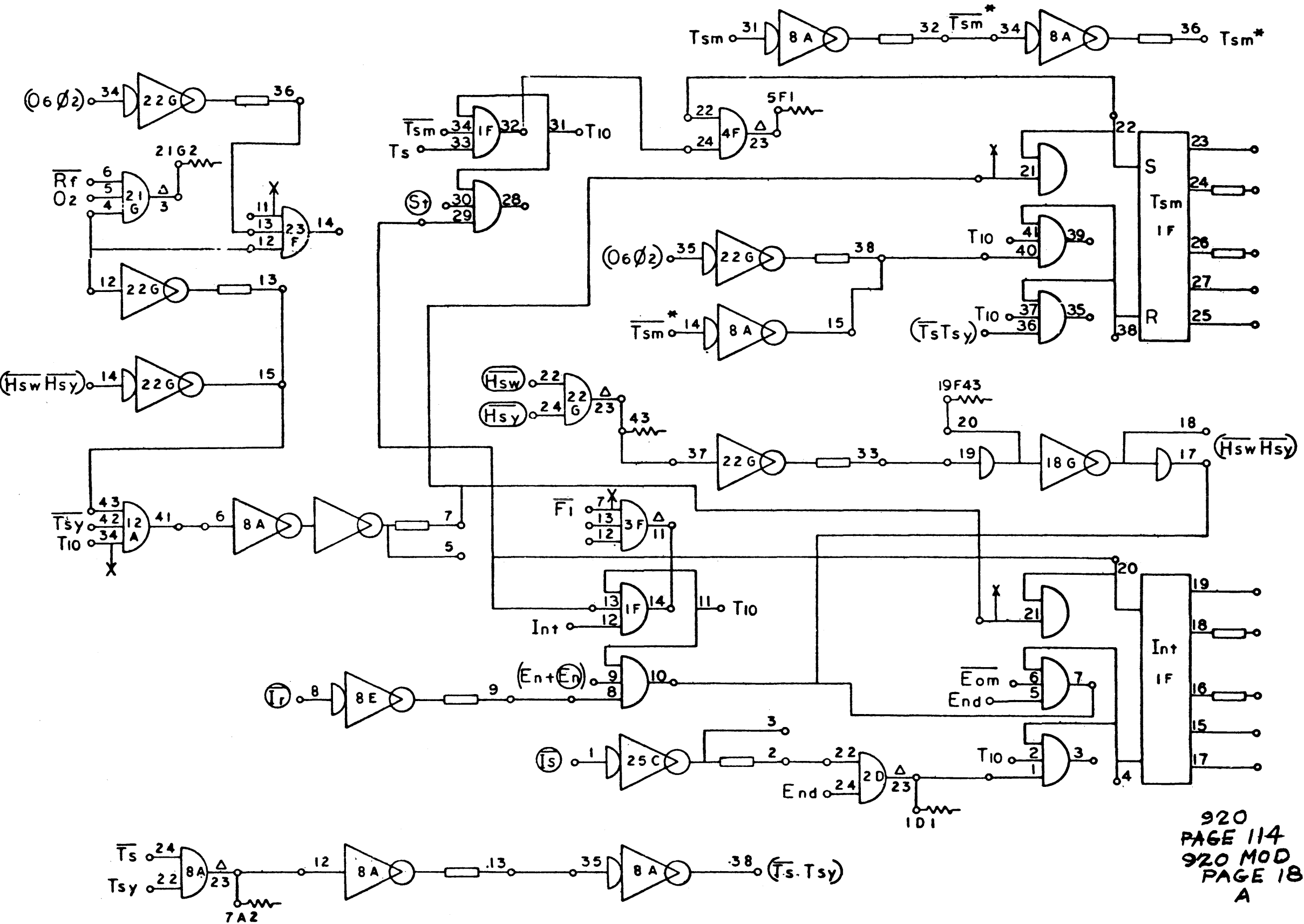






920  
 PAGE III  
 920(MOD)  
 PAGE 1C  
 A





920  
 PAGE 114  
 920 MOD  
 PAGE 18  
 A



PIN LOCATOR

LOC	14	LOC	15	LOC	16	LOC	17	LOC	18	LOC	19	LOC	20	LOC	21	LOC	22	LOC	23	LOC	24	LOC	25	LOC		
PIN	PAGE	PIN	PAGE	PIN	PAGE	PIN	PAGE	PIN	PAGE	PIN	PAGE	PIN	PAGE	PIN	PAGE	PIN	PAGE	PIN	PAGE	PIN	PAGE	PIN	PAGE	PIN	PAGE	
1		1		1		1		1		1		1		1	64	1	64	1		1		1		1		
2		2		2		2		2		2		2		2	114	2	↓	2		2		2		2		
3		3		3		3		3		3		3		3	↓	3	↓	3		3		3		3		
4		4		4		4		4		4		4		4	↓	4	↓	4		4		4		4		
5		5		5		5		5		5		5		5	↓	5	1	5		5		5		5		
6		6		6		6		6		6		6		6	↓	6	1	6		6		6		6		
7		7		7		7		7		7		7		7	1	7	1	7		7		7		7		
8		8		8		8		8		8		8		8	↓	8		8		8		8		8		
9		9		9		9		9		9		9		9	↓	9		9		9		9		9		
10		10		10		10		10		10		10		10	↓	10	64	10		10		10		10		
11		11		11		11		11		11		11		11	↓	11	64	11		11		11		11		
12		12		12		12		12		12		12		12	↓	12	114	12		12		12		12		
13		13		13		13		13		13		13		13	↓	13	114	13		13		13		13		
14		14		14		14		14		14		14		14	↓	14	114	14		14		14		14		
15		15		15		15		15		15		15		15	↓	15	114	15		15		15		15		
16		16		16		16		16		16		16		16	↓	16	110	16		16		16		16		
17		17		17		17	114	17		17		17		17	110	17	↓	17		17		17		17		
18		18		18		18	114	18		18		18		18	↓	18		18		18		18		18		
19		19		19		19	114	19		19		19		19	↓	19		19		19		19		19		
20		20		20		20	114	20		20		20		20	↓	20		20		20		20		20		
21		21		21		21		21		21		21		21	↓	21		21		21		21		21		
22		22		22		22		22		22		22		22	↓	22	114	22		22		22		22		
23		23		23		23		23		23		23		23	↓	23	114	23		23		23		23		
24		24		24		24		24		24		24		24	↓	24	114	24		24		24		24		
25		25		25		25		25		25		25		25	↓	25		25		25		25		25		
26		26		26		26		26		26		26		26	↓	26		26		26		26		26		
27		27		27		27		27		27		27		27	↓	27		27		27		27		27		
28		28		28		28		28		28		28		28	↓	28	40	28		28		28		28		
29		29		29		29		29		29		29		29	↓	29	40	29		29		29		29		
30		30		30		30		30		30		30		30	↓	30	40	30		30		30		30		
31		31		31		31		31		31		31		31	↓	31	66	31		31		31		31		
32		32		32		32		32		32		32		32	↓	32	66	32		32		32		32		
33		33		33		33		33		33		33		33	↓	33	114	33		33		33		33		
34		34		34		34		34		34		34		34	40	34	↓	34		34		34		34		
35		35		35		35		35		35		35		35	↓	35		35		35		35		35		
36		36		36		36		36		36		36		36	↓	36		36		36		36		36		
37		37		37		37		37		37		37		37	↓	37		37		37		37		37		
38		38		38		38		38		38		38		38	↓	38		38		38		38		38		
39		39		39		39		39		39		39		39	↓	39	40	39		39		39		39		
40		40		40		40		40		40		40		40	↓	40	40	40		40		40		40		
41		41		41		41		41		41		41		41	↓	41	40	41		41		41		41		
42		42		42		42		42		42		42		42	↓	42	40	42		42		42		42		
43		43		43		43		43		43		43		43	40	43	114	43		43		43		43		
44		44		44		44		44		44		44		44	↓	44		44		44		44		44		
45		45		45		45		45		45		45		45	↓	45		45		45		45		45		
46		46		46		46		46		46		46		46	↓	46		46		46		46		46		
47		47		47		47		47		47		47		47	↓	47		47		47		47		47		

ROW  
G

PIN LOCATOR

LOC	1	LOC	2	LOC	3	LOC	4	LOC	5	LOC	6	LOC	7	LOC	8	LOC	9	LOC	10	LOC	11	LOC	12	LOC	13
PIN	PAGE	PIN	PAGE	PIN	PAGE	PIN	PAGE	PIN	PAGE	PIN	PAGE	PIN	PAGE	PIN	PAGE	PIN	PAGE	PIN	PAGE	PIN	PAGE	PIN	PAGE	PIN	PAGE
1	45	1		1	58	1	66	1	47	1	46	1	46	1		1	37	1	34	1	44	1	52	1	58
2		2	45	2		2		2		2		2	114	2		2	80	2	30	2		2		2	54
3		3	↓	3	45	3		3	↓	3		3	47	3		3		3	37	3	↓	3	52	3	58
4		4	↓	4	↓	4		4	↓	4		4	↓	4		4		4	↓	4	↓	4	↓	4	↓
5		5	↓	5	↓	5		5	↓	5		5	↓	5	114	5		5	↓	5	52	5	↓	5	↓
6		6	↓	6	↓	6		6	↓	6		6	↓	6	114	6		6	↓	6	↓	6	↓	6	↓
7	↓	7	45	7	101	7		7	↓	7		7	↓	7	114	7	69	7	42, 34, 30	7	↓	7	52 & 53	7	54
8	66	8	↓	8		8		8	46	8		8	46	8	66	8		8	42	8	44	8	53	8	
9		9	↓	9		9		9	↓	9		9	↓	9	66	9		9	↓	9	↓	9	↓	9	↓
10		10		10		10		10		10		10	↓	10		10		10	↓	10	↓	10		10	
11		11	45	11		11		11		11		11	47	11		11		11	34	11	↓	11		11	
12		12	↓	12		12		12		12		12	↓	12	114	12		12	↓	12	101	12	↓	12	
13		13	↓	13		13		13		13		13	↓	13	114	13		13	↓	13	101	13	↓	13	
14	↓	14		14		14		14	↓	14		14	↓	14	114	14		14	30	14	80	14	52	14	
15	45	15	47	15		15		15	47	15		15	↓	15	115	15		15	↓	15	80	15		15	
16		16	↓	16	↓	16		16	↓	16		16	↓	16		16		16	↓	16	52	16		16	↓
17		17	↓	17	66	17		17	↓	17	47	17		17		17	54	17	65	17		17		17	58
18		18		18		18		18		18		18		18		18		18		18		18		18	
19		19	45	19		19		19		19		19		19		19		19		19		19		19	
20		20		20		20		20	↓	20		20		20		20		20		20		20		20	
21		21		21		21		21	46 & 47	21		21		21		21		21		21		21		21	
22		22		22		22		22		22		22		22	114	22		22		22	53	22		22	
23		23		23		23		23		23		23		23	114	23		23		23		23		23	
24		24		24		24		24		24		24		24	114	24		24		24		24		24	
25		25		25		25		25		25		25		25		25	↓	25	↓	25	52	25		25	↓
26		26		26		26		26		26		26	47	26		26	66 & 67	26	56 & 57	26		26		26	53
27	↓	27		27		27		27		27		27	↓	27		27	67	27	↓	27	↓	27		27	
28	115	28		28		28		28		28		28		28		28	67	28		28	46	28		28	
29		29		29		29		29		29		29		29		29	67	29		29	↓	29		29	
30	↓	30		30		30		30		30		30		30		30	67	30	↓	30	↓	30		30	
31	45 & 115	31		31		31		31		31		31		31	114	31	66	31	56	31	101	31		31	
32	45	32		32		32		32		32		32		32	114	32	66	32		32	101	32		32	
33		33		33	↓	33		33		33	↓	33	↓	33		33	66	33	↓	33	30	33	↓	33	↓
34		34		34	45 & 101	34		34	46	34	46 & 47	34	114	34	38, 81, 44	34	56, 57, 66	34		34	44	34	52 & 114	34	54
35		35		35	45	35		35		35	47	35	114	35	81	35	66	35		35	84	35	52	35	
36		36		36		36		36		36		36	114	36		36		36		36	44	36		36	
37		37		37	↓	37		37		37	↓	37	↓	37		37		37	↓	37	30	37		37	
38		38		38	101	38		38		38	46	38	114	38		38	44	38	57	38	84	38		38	
39		39		39		39		39		39		39		39		39		39		39	59	39		39	
40		40		40		40		40		40		40		40		40		40		40	101	40		40	
41	↓	41		41		41	↓	41	↓	41		41	47	41		41	38	41	56	41	101	41	114	41	
42		42		42		42		42		42		42	↓	42		42		42	↓	42	59	42	114	42	↓
43		43	↓	43	↓	43		43		43	↓	43	↓	43		43	↓	43	↓	43	59	43	114	43	↓
44		44		44		44		44		44		44		44		44		44		44		44		44	
45		45		45		45		45		45		45		45		45		45		45		45		45	
46		46		46		46		46		46		46		46		46		46		46		46		46	
47		47		47		47		47		47		47		47		47		47		47		47		47	

ROW  
A

PIN LOCATOR

LOC	26	LOC	27	LOC	28	LOC	29	LOC	30	LOC	31	LOC	32	LOC	33	LOC	34	LOC	35	LOC	36	LOC	37	LOC	38
PIN	PAGE	PIN	PAGE	PIN	PAGE	PIN	PAGE	PIN	PAGE	PIN	PAGE	PIN	PAGE	PIN	PAGE	PIN	PAGE	PIN	PAGE	PIN	PAGE	PIN	PAGE	PIN	PAGE
1		1	15	1	2	1	2	1	3	1	3	1	4	1	4	1	5	1	5	1	1	1	6	1	6
2	15	2	15	2	↓	2	↓	2	↓	2	↓	2	↓	2	↓	2	↓	2	↓	2	↓	2	↓	2	↓
3	1	3	1	3	↓	3	↓	3	↓	3	↓	3	↓	3	↓	3	↓	3	↓	3	↓	3	↓	3	↓
4		4	↓	4	2	4	↓	4	↓	4	↓	4	↓	4	↓	4	↓	4	↓	4	↓	4	↓	4	↓
5		5	↓	5	14	5	↓	5	↓	5	↓	5	↓	5	↓	5	↓	5	↓	5	↓	5	↓	5	↓
6		6	1	6	14	6	↓	6	↓	6	↓	6	↓	6	↓	6	↓	6	↓	6	↓	6	↓	6	↓
7		7	15	7	14	7	2	7	3	7	↓	7	4	7	4	7	5	7	5	7	14	7	6	7	6
8		8	↓	8		8	1	8	14	8	67	8	10	8	10	8	10	8	10	8	11	8	9	8	9
9		9	↓	9		9	1	9	↓	9	67	9	↓	9	↓	9	↓	9	↓	9	↓	9	↓	9	↓
10		10	↓	10	12	10	1	10	↓	10	67	10	↓	10	↓	10	↓	10	↓	10	↓	10	↓	10	↓
11		11	↓	11	↓	11	1	11	↓	11	67	11	↓	11	↓	11	↓	11	↓	11	↓	11	↓	11	↓
12		12	↓	12	↓	12	1	12	↓	12	67	12	↓	12	↓	12	↓	12	↓	12	↓	12	↓	12	↓
13		13	↓	13	↓	13	1	13	↓	13	67	13	↓	13	↓	13	↓	13	↓	13	↓	13	↓	13	↓
14		14	↓	14	↓	14	1	14	14	14	67	14	10	14	10	14	10	14	10	14	↓	14	9	14	9
15		15	↓	15	12	15	2	15	3	15	3	15	4	15	4	15	5	15	5	15	11	15	6	15	6
16		16	15	16	13	16	↓	16	↓	16	↓	16	↓	16	↓	16	↓	16	↓	16	↓	16	↓	16	↓
17		17	13	17	13	17	↓	17	↓	17	↓	17	↓	17	↓	17	↓	17	↓	17	↓	17	↓	17	↓
18		18	↓	18	13	18	↓	18	↓	18	↓	18	↓	18	↓	18	↓	18	↓	18	↓	18	↓	18	↓
19		19	↓	19	1	19	↓	19	↓	19	↓	19	↓	19	↓	19	↓	19	↓	19	1	19	↓	19	↓
20		20	↓	20	1	20	↓	20	↓	20	↓	20	↓	20	↓	20	↓	20	↓	20	1	20	↓	20	↓
21		21	↓	21	1	21	↓	21	↓	21	↓	21	↓	21	↓	21	↓	21	↓	21	1	21	↓	21	↓
22		22	↓	22	↓	22	↓	22	↓	22	↓	22	↓	22	↓	22	↓	22	↓	22	↓	22	↓	22	↓
23		23	↓	23	↓	23	↓	23	↓	23	↓	23	↓	23	↓	23	↓	23	↓	23	↓	23	↓	23	↓
24		24	↓	24	↓	24	↓	24	↓	24	↓	24	↓	24	↓	24	↓	24	↓	24	↓	24	↓	24	↓
25		25	↓	25	1	25	↓	25	↓	25	↓	25	↓	25	↓	25	↓	25	↓	25	15	25	↓	25	↓
26		26	↓	26	1	26	↓	26	↓	26	↓	26	↓	26	↓	26	↓	26	↓	26	15	26	↓	26	↓
27		27	↓	27	1	27	2	27	3	27	3	27	4	27	4	27	5	27	5	27	15	27	6	27	6
28		28	↓	28	13	28	13	28	14	28	10	28	10	28	10	28	10	28	10	28	14	28	9	28	9
29		29	↓	29	13	29	↓	29	↓	29	↓	29	↓	29	↓	29	↓	29	↓	29	14	29	↓	29	↓
30		30	↓	30	13	30	↓	30	↓	30	↓	30	↓	30	↓	30	↓	30	↓	30	14	30	↓	30	↓
31		31	↓	31	↓	31	↓	31	↓	31	↓	31	↓	31	↓	31	↓	31	↓	31	12	31	↓	31	↓
32		32	↓	32	↓	32	↓	32	↓	32	↓	32	↓	32	↓	32	↓	32	↓	32	↓	32	↓	32	↓
33		33	13	33	12	33	↓	33	↓	33	↓	33	↓	33	↓	33	↓	33	↓	33	↓	33	↓	33	↓
34		34	1, 14	34	14	34	13	34	14	34	10	34	10	34	10	34	10	34	10	34	↓	34	9	34	9
35		35	1	35	12	35	2	35	3	35	3	35	4	35	4	35	5	35	5	35	↓	35	6	35	6
36		36	1	36	14	36	↓	36	↓	36	↓	36	↓	36	↓	36	↓	36	↓	36	↓	36	↓	36	↓
37		37	1	37	12	37	↓	37	↓	37	↓	37	↓	37	↓	37	↓	37	↓	37	↓	37	↓	37	↓
38		38	14	38	12	38	↓	38	↓	38	↓	38	↓	38	↓	38	↓	38	↓	38	↓	38	↓	38	↓
39		39	↓	39	12	39	↓	39	↓	39	↓	39	↓	39	↓	39	↓	39	↓	39	↓	39	↓	39	↓
40		40	↓	40	13	40	↓	40	↓	40	↓	40	↓	40	↓	40	↓	40	↓	40	↓	40	↓	40	↓
41		41	↓	41	13	41	2	41	3	41	3	41	4	41	4	41	5	41	5	41	↓	41	6	41	6
42	↓	42	↓	42	12	42	↓	42	↓	42	↓	42	↓	42	↓	42	↓	42	↓	42	12	42	↓	42	↓
43	1	43	14	43	1	43	↓	43	↓	43	↓	43	↓	43	↓	43	↓	43	↓	43	↓	43	↓	43	↓
44		44	↓	44	↓	44	↓	44	↓	44	↓	44	↓	44	↓	44	↓	44	↓	44	↓	44	↓	44	↓
45		45	↓	45	↓	45	↓	45	↓	45	↓	45	↓	45	↓	45	↓	45	↓	45	↓	45	↓	45	↓
46		46	↓	46	↓	46	↓	46	↓	46	↓	46	↓	46	↓	46	↓	46	↓	46	↓	46	↓	46	↓
47		47	↓	47	↓	47	↓	47	↓	47	↓	47	↓	47	↓	47	↓	47	↓	47	↓	47	↓	47	↓

ROW  
A

PIN LOCATOR

LOC	1	LOC	2	LOC	3	LOC	4	LOC	5	LOC	6	LOC	7	LOC	8	LOC	9	LOC	10	LOC	11	LOC	12	LOC	13
PIN	PAGE	PIN	PAGE	PIN	PAGE	PIN	PAGE	PIN	PAGE	PIN	PAGE	PIN	PAGE	PIN	PAGE	PIN	PAGE	PIN	PAGE	PIN	PAGE	PIN	PAGE	PIN	PAGE
1	34	1	35	1	36	1	99	1	36	1	42	1	15	1	39	1	65	1	86	1	86	1	86	1	111
2		2		2		2		2		2	42	2		2		2	65	2	86	2		2	48	2	
3		3		3		3	37	3		3	44	3		3		3	86	3	65	3		3	111	3	48
4		4		4		4		4		4		4		4		4		4		4		4		4	
5		5		5		5		5	38	5		5	81	5	44	5		5		5	115	5		5	
6		6		6		6		6		6		6		6		6		6		6		6		6	
7		7		7		7	45, 38, 42	7		7	15	7		7		7	65 & 86	7	86	7		7	48	7	48 & 69
8	39	8		8		8	42	8	78	8	42	8	77	8	79	8	86	8		8	74	8		8	69
9		9		9		9		9	78	9		9	77	9	79	9		9		9	74	9		9	
10		10		10		10		10	38	10		10	39	10	39	10		10		10	34	10		10	
11	34 & 39	11		11	36 & 37	11	38	11	38	11		11	39	11		11	65	11		11	34	11		11	48
12	34	12		12	37	12		12	64	12		12	44	12		12		12		12	37	12		12	
13		13		13		13		13	64	13		13	44	13		13		13		13	37	13		13	
14		14		14		14	45	14	38	14	15	14	72	14	80	14		14		14	75	14		14	
15		15		15	36	15		15	38	15		15	72	15	80	15		15		15	75	15		15	
16		16		16		16		16	37	16		16	15	16	38	16		16		16	39	16		16	
17		17		17		17	38	17		17	65	17		17		17	39	17	67	17		17	67	17	
18		18		18		18		18		18		18		18		18		18		18		18		18	
19		19		19		19		19	86	19		19	86	19	65	19		19		19	52	19		19	
20		20		20		20		20		20		20		20		20		20		20		20		20	
21		21		21		21		21		21		21		21		21		21		21		21		21	
22		22		22		22		22	40	22		22	47	22	81	22		22		22	59	22		22	
23		23		23		23		23		23		23		23		23		23		23		23		23	
24		24		24		24		24		24		24		24		24		24		24		24		24	
25		25		25		25		25	86	25		25	86	25	65	25		25		25	48	25		25	
26		26		26		26	86 & 99	26		26	44	26		26		26		26	65	26		26		26	39
27		27		27		27	99	27		27		27		27		27		27		27		27		27	
28		28		28		28		28	37	28		28	42	28	42	28		28		28	67	28		28	
29		29		29	86	29		29		29		29		29		29		29		29		29		29	
30		30		30		30		30		30		30		30		30		30		30		30		30	
31		31		31		31	86	31	81	31		31	77	31	44	31		31		31	86	31		31	
32		32		32		32		32	81	32		32	77	32		32		32		32		32		32	
33		33		33		33		33	99	33		33	81	33		33		33		33		33		33	
34		34		34		34	37	34	38	34		34	76	34	111	34	65	34		34	43	34	48	34	48
35		35		35	36	35		35	81	35		35	44	35	101	35		35		35	75	35		35	
36		36		36		36		36	36	36		36	76	36	111	36		36		36	43	36		36	
37		37		37		37		37	99	37		37	81	37	44	37		37		37	86	37		37	
38		38		38		38		38	81	38		38	44	38	101	38		38		38	75	38		38	
39		39		39		39		39		39		39	44	39	111	39		39		39	56	39		39	
40		40		40		40		40	38	40		40	80	40	44	40		40		40	57	40		40	
41		41		41		41		41	38	41		41	80	41	44	41		41		41	57	41		41	
42		42		42		42		42		42		42	44	42	111	42		42		42	56	42		42	
43		43		43		43		43		43		43	86	43	15	43		43		43	86	43		43	
44		44		44		44		44		44		44		44		44		44		44		44		44	
45		45		45		45		45		45		45		45		45		45		45		45		45	
46		46		46		46		46		46		46		46		46		46		46		46		46	
47		47		47		47		47		47		47		47		47		47		47		47		47	

ROW  
B

PIN LOCATOR

LOC	1	LOC	2	LOC	3	LOC	4	LOC	5	LOC	6	LOC	7	LOC	8	LOC	9	LOC	10	LOC	11	LOC	12	LOC	13
PIN	PAGE	PIN	PAGE	PIN	PAGE	PIN	PAGE	PIN	PAGE	PIN	PAGE	PIN	PAGE	PIN	PAGE	PIN	PAGE	PIN	PAGE	PIN	PAGE	PIN	PAGE	PIN	PAGE
1		1	40	1		1	41	1		1	67	1	68	1	68	1	81	1		1	69	1	70	1	71
2		2		2		2		2		2		2		2	69	2	68	2	69	2		2		2	
3		3		3	40	3		3	41	3		3		3		3	69	3		3		3		3	
4		4		4		4		4		4		4		4		4		4		4		4		4	
5		5		5		5		5		5	68	5		5		5		5		5	70	5		5	
6		6		6		6		6		6		6		6		6		6		6	70	6		6	
7		7		7	41	7		7		7		7		7		7		7		7	69	7		7	
8		8		8		8		8		8	34	8		8		8		8		8	69	8		8	
9		9		9		9		9		9	34	9		9		9		9		9	69 & 70	9		9	
10		10		10		10		10		10	43	10		10		10		10		10	70	10		10	
11		11		11		11		11		11		11		11		11		11		11		11		11	
12		12		12		12		12		12		12		12		12		12		12		12		12	
13		13		13		13		13		13		13		13		13		13		13	69 & 70	13		13	
14		14		14		14		14		14		14		14	68	14		14		14	69	14	71	14	
15		15		15		15		15		15		15		15	68	15		15		15		15		15	
16		16		16		16		16		16		16		16		16		16		16	69	16		16	
17		17		17	40	17		17	43	17		17	69	17		17		17		17		17		17	
18		18		18		18		18		18		18		18	69	18		18		18		18		18	
19		19		19		19		19		19	67	19		19		19		19		19		19		19	
20		20		20		20		20		20		20		20		20		20		20		20		20	
21		21		21		21		21		21		21		21		21		21		21		21		21	
22		22		22		22		22		22	41	22		22		22		22		22		22		22	
23		23		23		23		23		23		23		23		23		23		23		23		23	
24		24		24		24		24		24		24		24		24		24		24		24		24	
25		25		25		25		25		25	68	25		25		25		25		25		25		25	
26		26		26		26		26		26		26		26		26		26		26	69 & 70	26		26	
27		27		27		27		27		27		27		27		27		27		27	70	27	70	27	
28		28		28		28		28		28	44	28		28		28		28		28	70	28		28	
29		29		29		29		29		29		29		29		29		29		29	69 & 70	29		29	
30		30		30		30		30		30		30		30		30		30		30	70	30		30	
31		31	40 & 41	31		31		31		31	41	31		31		31		31		31		31		31	
32		32	41	32		32		32		32	41	32		32		32		32		32		32		32	
33		33		33		33		33		33	43	33		33		33		33		33		33		33	
34		34		34	43	34		34		34	43	34	68	34		34		34		34		34	70	34	
35		35		35		35		35		35		35		35		35		35		35		35		35	
36		36		36		36		36		36	43	36		36		36		36		36		36		36	
37		37		37		37		37		37	43	37		37		37		37		37	69	37		37	
38		38		38		38		38		38		38		38		38		38		38		38		38	70 & 71
39		39		39		39		39		39	85	39		39		39		39		39		39		39	70
40		40		40		40		40		40	43	40		40		40		40		40		40		40	70
41		41		41		41		41		41	43	41		41		41		41		41		41		41	71
42		42		42		42		42		42	85	42		42		42		42		42		42		42	
43		43		43		43		43		43	67	43		43		43		43		43		43		43	
44		44		44		44		44		44		44		44		44		44		44		44		44	
45		45		45		45		45		45		45		45		45		45		45		45		45	
46		46		46		46		46		46		46		46		46		46		46		46		46	
47		47		47		47		47		47		47		47		47		47		47		47		47	

ROW  
C

PIN LOCATOR

LOC	14	LOC	15	LOC	16	LOC	17	LOC	18	LOC	19	LOC	20	LOC	21	LOC	22	LOC	23	LOC	24	LOC	25	LOC
PIN	PAGE	PIN	PAGE	PIN	PAGE	PIN	PAGE	PIN	PAGE	PIN	PAGE	PIN	PAGE	PIN	PAGE	PIN	PAGE	PIN	PAGE	PIN	PAGE	PIN	PAGE	
1	71	1	72	1	73	1	74	1	38	1	42	1	42	1	77	1	78	1	79	1		1	114	1
2		2		2		2		2		2		2		2		2		2		2		2		2
3		3		3		3		3		3		3		3		3		3		3		3		3
4		4		4		4		4	75	4	76	4	77	4		4		4		4	80	4	81	4
5		5		5		5		5		5		5		5		5		5		5		5		5
6		6		6		6		6		6		6		6		6		6		6		6		6
7		7		7		7		7		7		7		7		7		7		7		7		7
8		8		8		8		8		8		8		8		8		8		8		8		8
9		9		9		9		9		9		9		9		9		9		9		9		9
10		10		10		10		10		10		10		10		10		10		10		10		10
11		11		11		11		11		11		11		11		11		11		11		11		11
12		12		12		12		12		12		12		12		12		12		12		12		12
13		13		13		13		13		13		13		13		13		13		13		13		13
14	72	14		14		14		14		14		14		14	78	14		14		14		14		14
15		15		15		15		15		15		15		15		15		15		15		15		15
16		16		16		16		16		16		16		16		16		16		16		16		16
17		17		17		17		17		17		17		17		17		17		17		17		17
18		18		18		18		18		18		18		18		18		18		18		18		18
19		19		19		19		19		19		19		19		19		19		19		19		19
20		20		20		20		20		20		20		20		20		20		20		20		20
21		21		21		21		21		21		21		21		21		21		21		21		21
22		22		22		22		22		22		22		22		22		22		22		22		22
23		23		23		23		23		23		23		23		23		23		23		23		23
24		24		24		24		24		24		24		24		24		24		24		24		24
25		25		25		25		25		25		25		25		25		25		25		25		25
26		26		26		26		26		26		26		26		26		26		26		26		26
27		27		27		27		27		27		27		27		27		27		27		27		27
28		28		28		28		28		28		28		28		28		28		28		28		28
29		29		29		29		29		29		29		29		29		29		29		29		29
30		30		30		30		30		30		30		30		30		30		30		30		30
31		31		31		31		31		31		31		31		31		31		31		31		31
32		32		32		32		32		32		32		32		32		32		32		32		32
33		33		33		33		33		33		33		33		33		33		33		33		33
34	72	34		34	73	34		34		34		34		34		34		34		34		34		34
35		35		35		35		35		35		35		35		35		35		35		35		35
36		36		36		36		36		36		36		36		36		36		36		36		36
37		37		37	66	37	73	37	46	37	42	37	86	37		37	92	37	92	37	99	37	36	37
38		38		38		38	73 & 81	38	59 & 46	38		38	86 & 62	38		38		38		38	115, 99	38	83, 36	38
39		39		39		39	81	39	59	39		39	62	39		39		39		39	115	39	83	39
40		40		40		40	81	40	59	40		40	62	40		40		40		40	115	40	83	40
41		41		41		41	73	41	46	41		41	86	41	77 & 78	41		41		41	99	41	36	41
42	71 & 72	42		42		42		42		42		42		42		42		42		42		42		42
43	71 & 72	43		43		43		43		43		43		43		43		43		43		43		43
44		44		44		44		44		44		44		44		44		44		44		44		44
45		45		45		45		45		45		45		45		45		45		45		45		45
46		46		46		46		46		46		46		46		46		46		46		46		46
47		47		47		47		47		47		47		47		47		47		47		47		47

ROW  
C

PIN LOCATOR

LOC	1	LOC	2	LOC	3	LOC	4	LOC	5	LOC	6	LOC	7	LOC	8	LOC	9	LOC	10	LOC	11	LOC	12	LOC	13
PIN	PAGE	PIN	PAGE	PIN	PAGE	PIN	PAGE	PIN	PAGE	PIN	PAGE	PIN	PAGE	PIN	PAGE	PIN	PAGE	PIN	PAGE	PIN	PAGE	PIN	PAGE	PIN	PAGE
1		1	67	1	85	1	85	1	82	1	83	1	83	1		1	98	1	98	1	93	1		1	98
2		2	↓	2	↓	2	41	2	↓	2	↓	2	↓	2	↓	2	98	2	98	2	↓	2	↓	2	↓
3	100	3	↓	3	↓	3	85	3	↓	3	↓	3	↓	3	↓	3	96	3	112	3	↓	3	↓	3	↓
4	↓	4	↓	4	↓	4	↓	4	↓	4	↓	4	↓	4	↓	4	↓	4	↓	4	↓	4	↓	4	90
5	↓	5	100	5	99	5	↓	5	↓	5	↓	5	↓	5	↓	5	↓	5	↓	5	38	5	↓	5	↓
6	↓	6	↓	6	↓	6	↓	6	↓	6	↓	6	↓	6	↓	6	↓	6	↓	6	↓	6	38	6	↓
7	↓	7	↓	7	↓	7	82 & 85	7	↓	7	↓	7	↓	7	98 & 106	7	98	7	90, 96, 98	7	↓	7	↓	7	↓
8	↓	8	84	8	↓	8	85	8	84	8	99	8	84	8	106	8	↓	8	98	8	72	8	↓	8	↓
9	↓	9	↓	9	↓	9	↓	9	↓	9	↓	9	↓	9	↓	9	↓	9	↓	9	72	9	↓	9	↓
10	↓	10	↓	10	↓	10	↓	10	↓	10	↓	10	↓	10	↓	10	↓	10	↓	10	97	10	112	10	↓
11	↓	11	↓	11	↓	11	82	11	↓	11	↓	11	↓	11	98	11	↓	11	96	11	97	11	98	11	↓
12	↓	12	99	12	84	12	↓	12	↓	12	↓	12	↓	12	↓	12	↓	12	↓	12	93	12	↓	12	↓
13	↓	13	↓	13	84	13	↓	13	↓	13	↓	13	↓	13	↓	13	↓	13	↓	13	93	13	↓	13	↓
14	↓	14	↓	14	73	14	↓	14	↓	14	↓	14	↓	14	↓	14	↓	14	90	14	111	14	90	14	↓
15	↓	15	↓	15	73	15	↓	15	82	15	83	15	83	15	↓	15	↓	15	↓	15	111	15	97	15	↓
16	↓	16	100	16	84	16	↓	16	↓	16	↓	16	↓	16	↓	16	↓	16	↓	16	112	16	↓	16	97
17	99	17	↓	17	↓	17	82 & 111	17	↓	17	↓	17	↓	17	38	17	↓	17	97	17	112	17	↓	17	↓
18	↓	18	↓	18	↓	18	82	18	↓	18	↓	18	↓	18	↓	18	↓	18	↓	18	112	18	96	18	↓
19	↓	19	67	19	99	19	↓	19	↓	19	↓	19	↓	19	↓	19	↓	19	↓	19	38	19	112	19	↓
20	↓	20	↓	20	↓	20	↓	20	↓	20	↓	20	↓	20	↓	20	↓	20	↓	20	↓	20	↓	20	↓
21	↓	21	↓	21	↓	21	↓	21	↓	21	↓	21	↓	21	↓	21	↓	21	↓	21	↓	21	↓	21	↓
22	↓	22	114	22	41	22	114	22	↓	22	↓	22	↓	22	↓	22	↓	22	↓	22	83	22	↓	22	↓
23	↓	23	↓	23	41	23	↓	23	↓	23	↓	23	↓	23	↓	23	↓	23	↓	23	↓	23	90 & 96	23	↓
24	↓	24	↓	24	41	24	↓	24	↓	24	↓	24	↓	24	↓	24	↓	24	↓	24	↓	24	96	24	↓
25	↓	25	100	25	99	25	↓	25	↓	25	↓	25	↓	25	↓	25	↓	25	↓	25	38	25	↓	25	↓
26	100	26	↓	26	↓	26	85	26	↓	26	↓	26	↓	26	98	26	90	26	96	26	↓	26	↓	26	↓
27	↓	27	↓	27	↓	27	↓	27	↓	27	↓	27	↓	27	↓	27	↓	27	↓	27	↓	27	↓	27	↓
28	↓	28	↓	28	84	28	↓	28	84	28	84	28	99	28	↓	28	↓	28	↓	28	112	28	90	28	↓
29	↓	29	↓	29	↓	29	↓	29	↓	29	↓	29	↓	29	↓	29	↓	29	↓	29	↓	29	↓	29	↓
30	↓	30	↓	30	↓	30	↓	30	↓	30	↓	30	↓	30	↓	30	↓	30	↓	30	↓	30	↓	30	↓
31	↓	31	84	31	111	31	↓	31	↓	31	↓	31	↓	31	↓	31	↓	31	↓	31	71	31	↓	31	↓
32	↓	32	↓	32	111	32	↓	32	↓	32	↓	32	↓	32	↓	32	↓	32	↓	32	71	32	90 & 96	32	↓
33	↓	33	↓	33	85	33	↓	33	↓	33	↓	33	↓	33	↓	33	↓	33	↓	33	90	33	98	33	↓
34	↓	34	↓	34	85	34	↓	34	↓	34	↓	34	↓	34	93	34	↓	34	↓	34	70	34	↓	34	↓
35	↓	35	99	35	111	35	↓	35	82	35	83	35	83	35	↓	35	↓	35	↓	35	112	35	↓	35	↓
36	↓	36	84	36	85	36	↓	36	↓	36	↓	36	↓	36	↓	36	↓	36	↓	36	70	36	↓	36	↓
37	↓	37	84	37	85	37	↓	37	↓	37	↓	37	↓	37	↓	37	↓	37	↓	37	90	37	↓	37	↓
38	↓	38	99	38	111	38	↓	38	↓	38	↓	38	↓	38	↓	38	↓	38	↓	38	112	38	↓	38	↓
39	↓	39	84	39	84	39	↓	39	↓	39	↓	39	↓	39	↓	39	↓	39	↓	39	98	39	↓	39	↓
40	↓	40	99	40	85	40	↓	40	↓	40	↓	40	↓	40	↓	40	↓	40	↓	40	96	40	↓	40	↓
41	↓	41	99	41	85	41	↓	41	↓	41	↓	41	↓	41	↓	41	↓	41	↓	41	96	41	↓	41	↓
42	↓	42	84	42	84	42	↓	42	↓	42	↓	42	↓	42	↓	42	↓	42	↓	42	98	42	↓	42	↓
43	↓	43	67	43	↓	43	↓	43	↓	43	↓	43	↓	43	↓	43	↓	43	↓	43	↓	43	↓	43	↓
44	↓	44	↓	44	↓	44	↓	44	↓	44	↓	44	↓	44	↓	44	↓	44	↓	44	↓	44	↓	44	↓
45	↓	45	↓	45	↓	45	↓	45	↓	45	↓	45	↓	45	↓	45	↓	45	↓	45	↓	45	↓	45	↓
46	↓	46	↓	46	↓	46	↓	46	↓	46	↓	46	↓	46	↓	46	↓	46	↓	46	↓	46	↓	46	↓
47	↓	47	↓	47	↓	47	↓	47	↓	47	↓	47	↓	47	↓	47	↓	47	↓	47	↓	47	↓	47	↓

ROW  
D



PIN LOCATOR

LOC	14	LOC	15	LOC	16	LOC	17	LOC	18	LOC	19	LOC	20	LOC	21	LOC	22	LOC	23	LOC	24	LOC	25	LOC
PIN	PAGE	PIN	PAGE	PIN	PAGE	PIN	PAGE	PIN	PAGE	PIN	PAGE	PIN	PAGE	PIN	PAGE	PIN	PAGE	PIN	PAGE	PIN	PAGE	PIN	PAGE	
1	109	1	105	1		1	105	1	105	1	37	1		1	102	1		1		1		1		
2		2		2		2	105	2	104	2		2		2		2	102	2		2		2		
3		3		3	103	3	103	3	105	3	102	3	102	3		3		3		3	102	3		
4		4		4		4		4		4		4		4		4		4		4		4		
5		5	110	5		5		5		5		5		5		5		5		5		5		
6		6		6		6		6		6		6		6		6		6		6		6		
7		7		7	104	7	104	7	104	7		7		7		7		7		7		7		
8		8	77	8		8		8		8		8		8	104	8		8		8		8		
9		9	77	9		9		9		9		9		9		9		9		9		9		
10		10	103	10		10		10		10		10		10		10		10		10		10		
11		11	103	11		11		11		11		11		11	102, 104	11		11		11		11		
12		12	110	12		12		12		12		12		12	102	12		12		12		12		
13		13	110	13		13		13		13		13		13		13		13		13		13		
14		14	105	14		14		14		14		14		14		14		14		14		14		
15		15	105	15		15		15		15		15		15		15		15		15		15		
16		16	110	16		16		16		16		16		16		16		16		16		16		
17		17		17	103	17	103	17	105	17	105	17		17		17	104	17		17		17		
18		18		18		18		18		18		18		18		18		18		18		18		
19		19	64	19		19		19		19		19		19		19		19	105	19		19		
20		20		20		20		20		20		20		20		20		20		20		20		
21	106 & 109	21		21		21		21		21		21		21	102 & 103	21		21		21		21		
22	106	22	29	22		22		22		22		22		22	104	22		22		22		22		
23		23		23		23		23		23		23		23		23		23		23		23		
24		24		24		24		24		24		24		24		24		24		24		24		
25		25	81	25		25		25		25		25		25		25		25		25		25		
26		26		26		26		26		26		26	95	26		26	102	26		26		26		
27		27		27		27		27		27		27		27		27		27		27		27		
28	107	28	42	28		28		28		28		28		28		28		28		28		28		
29		29		29		29		29		29		29		29		29		29		29		29		
30		30		30		30		30		30		30		30		30		30		30		30		
31		31	64	31		31		31		31		31	102	31		31		31		31		31		
32		32	64	32		32		32		32		32		32		32		32		32		32		
33		33	103	33		33		33		33		33		33		33		33	104	33		33		
34		34	21	34	64	34	110	34	104	34	102	34		34		34		34		34	104	34		
35	106	35	105	35	81	35		35		35		35		35		35		35		35		35		
36		36	21	36		36		36		36		36		36		36		36		36		36		
37		37	103	37		37		37		37		37		37		37		37		37		37		
38		38	105	38	64	38		38		38		38		38		38		38		38		38		
39		39		39		39		39		39		39		39		39		39		39		39		
40		40		40		40		40		40		40		40		40		40		40		40		
41		41		41		41		41		41		41		41		41		41		41		41		
42		42		42		42		42		42		42		42		42		42		42		42		
43		43	21	43		43		43		43		43		43		43		43		43		43		
44		44		44		44		44		44		44		44		44		44		44		44		
45		45		45		45		45		45		45		45		45		45		45		45		
46		46		46		46		46		46		46		46		46		46		46		46		
47		47		47		47		47		47		47		47		47		47		47		47		

ROW  
E



PIN LOCATOR

LOC	1	LOC	2	LOC	3	LOC	4	LOC	5	LOC	6	LOC	7	LOC	8	LOC	9	LOC	10	LOC	11	LOC	12	LOC	13
PIN	PAGE	PIN	PAGE	PIN	PAGE	PIN	PAGE	PIN	PAGE	PIN	PAGE	PIN	PAGE	PIN	PAGE	PIN	PAGE	PIN	PAGE	PIN	PAGE	PIN	PAGE	PIN	PAGE
1	114	1	64	1	99	1	110	1	114	1	38	1	18	1	26	1	33	1	31	1	21	1	26	1	30
2		2		2	112	2	↓	2	110	2	↓	2	↓	2	↓	2	26	2	↓	2	↓	2	21	2	↓
3		3		3	110	3	↓	3	64	3	↓	3	↓	3	↓	3	↓	3	↓	3	↓	3	↓	3	↓
4		4		4	↓	4	↓	4	↓	4	↓	4	↓	4	↓	4	↓	4	↓	4	↓	4	↓	4	↓
5		5		5	↓	5	112	5	↓	5	↓	5	↓	5	↓	5	↓	5	↓	5	↓	5	↓	5	↓
6		6		6	↓	6	↓	6	↓	6	↓	6	↓	6	↓	6	33	6	↓	6	↓	6	↓	6	↓
7		7		7	111, 112, 114	7	↓	7	111	7	↓	7	↓	7	↓	7	26	7	↓	7	↓	7	21	7	↓
8		8		8	111	8	115	8	↓	8	33	8	38	8	↓	8	↓	8	↓	8	↓	8	↓	8	↓
9		9		9	↓	9	115	9	↓	9	33	9	↓	9	↓	9	↓	9	↓	9	↓	9	↓	9	↓
10		10		10	↓	10	↓	10	↓	10	111	10	↓	10	↓	10	33	10	↓	10	↓	10	↓	10	↓
11		11		11	114	11	↓	11	↓	11	111	11	38 & 99	11	↓	11	31	11	↓	11	25 & 21	11	21	11	↓
12		12		12	↓	12	111	12	↓	12	19	12	99	12	↓	12	↓	12	↓	12	↓	12	↓	12	↓
13		13		13	↓	13	111	13	↓	13	19	13	↓	13	↓	13	↓	13	↓	13	↓	13	↓	13	↓
14		14		14	112	14	115	14	↓	14	33	14	↓	14	↓	14	33	14	↓	14	↓	14	16	14	↓
15		15		15	↓	15	↓	15	↓	15	33	15	18	15	↓	15	19	15	↓	15	21	15	21	15	↓
16		16		16	↓	16	↓	16	↓	16	112	16	↓	16	↓	16	↓	16	↓	16	↓	16	↓	16	↓
17		17		17	110	17	↓	17	111 & 42	17	112	17	↓	17	↓	17	↓	17	↓	17	↓	17	↓	17	↓
18		18		18	↓	18	42	18	112	18	↓	18	↓	18	↓	18	↓	18	↓	18	↓	18	22	18	↓
19		19		19	↓	19	110	19	↓	19	111	19	↓	19	↓	19	26	19	↓	19	↓	19	↓	19	↓
20		20		20	↓	20	↓	20	↓	20	↓	20	↓	20	↓	20	↓	20	↓	20	↓	20	↓	20	↓
21		21		21	↓	21	↓	21	↓	21	↓	21	↓	21	↓	21	↓	21	↓	21	↓	21	↓	21	↓
22		22		22	↓	22	114	22	111	22	↓	22	↓	22	↓	22	↓	22	↓	22	↓	22	↓	22	↓
23		23		23	↓	23	↓	23	↓	23	↓	23	↓	23	↓	23	19	23	↓	23	↓	23	21	23	↓
24		24		24	↓	24	↓	24	↓	24	↓	24	↓	24	↓	24	↓	24	↓	24	↓	24	↓	24	↓
25		25		25	↓	25	110	25	↓	25	99	25	↓	25	↓	25	↓	25	↓	25	↓	25	↓	25	↓
26		26		26	111	26	↓	26	↓	26	↓	26	↓	26	↓	26	↓	26	↓	26	↓	26	↓	26	↓
27		27		27	↓	27	↓	27	↓	27	↓	27	↓	27	↓	27	↓	27	↓	27	↓	27	↓	27	↓
28		28		28	↓	28	↓	28	↓	28	↓	28	33	28	22	28	↓	28	↓	28	25	28	↓	28	25
29		29		29	↓	29	↓	29	↓	29	↓	29	↓	29	↓	29	↓	29	↓	29	↓	29	↓	29	↓
30		30		30	↓	30	↓	30	↓	30	↓	30	↓	30	↓	30	↓	30	↓	30	↓	30	↓	30	↓
31		31		31	↓	31	115	31	↓	31	33	31	↓	31	22 & 113	31	↓	31	↓	31	↓	31	↓	31	↓
32		32		32	↓	32	115	32	↓	32	33	32	↓	32	113	32	↓	32	↓	32	↓	32	↓	32	↓
33		33		33	↓	33	99	33	↓	33	111	33	↓	33	↓	33	↓	33	↓	33	↓	33	↓	33	↓
34		34		34	99, 111	34	115	34	↓	34	33	34	↓	34	↓	34	↓	34	↓	34	↓	34	↓	34	↓
35		35		35	↓	35	110	35	↓	35	↓	35	18	35	26	35	↓	35	↓	35	21	35	↓	35	30
36		36		36	↓	36	115	36	↓	36	↓	36	↓	36	↓	36	↓	36	↓	36	↓	36	↓	36	↓
37		37		37	↓	37	99	37	↓	37	111	37	↓	37	↓	37	↓	37	↓	37	↓	37	↓	37	↓
38		38		38	64	38	110	38	↓	38	33	38	↓	38	↓	38	↓	38	↓	38	↓	38	↓	38	↓
39		39		39	↓	39	110	39	↓	39	↓	39	↓	39	↓	39	↓	39	↓	39	↓	39	↓	39	↓
40		40		40	↓	40	111	40	↓	40	↓	40	↓	40	↓	40	↓	40	↓	40	↓	40	↓	40	↓
41	↓	41	↓	41	111	41	111	41	↓	41	↓	41	↓	41	↓	41	↓	41	↓	41	↓	41	↓	41	↓
42		42		42	↓	42	110	42	↓	42	↓	42	↓	42	↓	42	↓	42	↓	42	↓	42	↓	42	↓
43		43		43	↓	43	110	43	↓	43	32	43	↓	43	↓	43	↓	43	↓	43	↓	43	↓	43	↓
44		44		44	↓	44	↓	44	↓	44	↓	44	↓	44	↓	44	↓	44	↓	44	↓	44	↓	44	↓
45		45		45	↓	45	↓	45	↓	45	↓	45	↓	45	↓	45	↓	45	↓	45	↓	45	↓	45	↓
46		46		46	↓	46	↓	46	↓	46	↓	46	↓	46	↓	46	↓	46	↓	46	↓	46	↓	46	↓
47		47		47	↓	47	↓	47	↓	47	↓	47	↓	47	↓	47	↓	47	↓	47	↓	47	↓	47	↓

ROW  
F

PIN LOCATOR

LOC	14	LOC	15	LOC	16	LOC	17	LOC	18	LOC	19	LOC	20	LOC	21	LOC	22	LOC	23	LOC	24	LOC	25	LOC
PIN	PAGE	PIN	PAGE	PIN	PAGE	PIN	PAGE	PIN	PAGE	PIN	PAGE	PIN	PAGE	PIN	PAGE	PIN	PAGE	PIN	PAGE	PIN	PAGE	PIN	PAGE	
1	22	1	25	1		1	29	1	32	1	32	1	23	1	23	1	26	1	28	1	27	1	24	1
2		2		2	21, 25	2		2	32	2		2		2		2		2		2		2		2
3		3		3	25	3		3	29	3		3		3		3		3		3		3		3
4		4		4		4		4		4		4	16	4	17	4	28	4		4		4		4
5		5		5		5		5		5	37	5		5		5		5		5		5		5
6		6		6	1	6		6		6		6		6		6		6		6		6		6
7		7		7	21	7		7		7		7		7		7		7		7		7		7
8		8		8		8	30	8		8	64	8		8		8		8		8		8	32	8
9		9		9		9	30	9		9	64	9		9		9		9		9		9		9
10		10		10	1	10	30	10		10	32	10		10		10		10		10	40	10		10
11		11		11	19	11	29, 30	11		11	32	11		11		11		11	28 & 114	11	22	11	32	11
12		12		12		12	29	12		12	32	12		12		12		12	114	12	22	12	32	12
13		13		13		13		13		13		13		13		13		13		13		13		13
14		14		14		14		14		14		14		14		14		14		14		14		14
15		15		15		15		15		15		15		15		15		15	28	15	27	15	24	15
16		16		16		16		16		16	19	16		16		16	23	16		16		16		16
17		17		17		17		17	20	17		17		17		17		17		17		17		17
18		18		18	1	18		18		18		18		18		18		18		18		18		18
19		19		19	26	19		19		19	16	19		19		19		19		19		19		19
20		20		20		20		20		20		20		20		20		20		20		20		20
21		21		21		21	20 & 29	21		21		21		21		21		21		21		21		21
22		22		22		22	20	22		22	37	22	32	22		22		22		22		22		22
23		23		23	19	23		23		23		23		23		23		23		23		23		23
24		24		24		24		24		24		24		24		24		24		24		24		24
25		25		25		25		25		25	16	25		25		25		25		25		25		25
26		26		26		26	29	26		26		26	16	26		26	17 & 23	26		26		26		26
27		27		27		27		27		27		27		27		27	17	27		27		27		27
28		28		28		28		28		28	32	28		28		28	17	28		28		28		28
29		29		29		29		29		29		29		29		29	17 & 23	29		29		29		29
30		30		30		30		30		30		30		30		30	17	30		30		30		30
31		31		31		31		31		31	111	31		31		31		31		31		31		31
32		32		32		32		32		32	111	32	16 & 32	32		32		32		32		32		32
33		33		33	20	33		33		33	16	33		33		33		33		33		33		33
34		34		34		34		34	20	34	37	34		34		34		34		34		34		34
35		35		35		35		35		35	32	35		35		35		35		35		35		35
36		36		36		36		36		36	32	36		36		36		36		36		36		36
37		37		37		37		37		37	16	37		37	17	37	28	37		37		37		37
38		38		38		38		38		38	37	38		38		38		38		38		38		38
39		39		39		39		39		39		39	23	39	23	39		39		39		39		39
40		40		40		40		40		40		40	23	40	23	40		40		40		40		40
41		41		41		41		41		41		41		41		41		41		41		41		41
42		42		42		42		42		42		42		42		42		42		42		42		42
43		43		43		43		43		43	114	43		43		43		43		43		43		43
44		44		44		44		44		44		44		44		44		44		44		44		44
45		45		45		45		45		45		45		45		45		45		45		45		45
46		46		46		46		46		46		46		46		46		46		46		46		46
47		47		47		47		47		47		47		47		47		47		47		47		47

ROW  
F

920 MODULE LOCATION CHART

	1	2	3	4	5	6	7	8	9	10	11	12	13	14	15	16	17	18	19	20	21	22	23	24	25	
A	GO			Cp	Ex									S1		S3		S5		S7		S9	S11		S13	
	FK52	GK52	GK51	FK52	FK52	GK51	GK51	IK51	GK51	GK51	IK51	GK51	GK51	FK52	GK51	FK52	GK52	FK52	GK51	FK52	GK51	FK52	FK52	GK51	FK52	
	Ht			C24	la									S2		S4		S6		S8		S10	S12		S14	
B	Q1	Q3	Q5											P1	P3		P5		P7		P9		P11		P13	
	FK52	FK52	FK52	GK51	IK51	GK51	IK51	IK51	GK51	GK51	IK51	GK51	GK51	FK51	FK51	IK52	FK51	IK52	FK51	IK52	FK51	IK52	FK51	IK52	FK51	IK52
C	Q2	Q4	Q6											P2	P4		P6		P8		P10		P12		P14	
	"Y"	F1		F2							C0		C2		C4	C6	C8	C10	C12	C14		C16	C18	C20	C22	
	BUFF	FK52	GK51	FK52	GK51	IK51	GK51	GK52	GK51	GK51	FK51	IK52	FK51	IK52	FK51	FK51	FK51	FK51	FK51	FK51	FK51	IK52	FK51	FK51	FK51	FK51
D	P9	F3		Rf							C1		C3		C5	C7	C9	C11	C13	C15		C17	C19	C21	C23	
					O1	O3	O5						Xn			Br			Be	Ae			Ar			
	GK51	IK51	IK51	GK51	FK52	FK52	FK52	GK51	GK51	GK51	IK51	GK52	FK51	DK51	DK51	FK51	DK51	DK51	FK52	FK52	GK51	GK52	FK51	DK51	DK51	
E					O2	O4	O6						Xw			Bw		Bn	An			Aw				
	D1	D3	D5		lx									Sk							Cz					
	FK52	FK52	FK52	GK51	FK52	GK51	GK51	IK51	GK51	GK51	GK51	GK51	GK51	FK52	IK51	GK51	GK51	GK51	GK51	GK51	FK52	GK51	CK53	GK51	CK54	
F	D2	D4	D6		po									En							Cf					
	Tsm	Ts					W13	W12		W11	W10		W9	W4	W7		Wf					Wn	R1	R2	R3	
	FK52	FK52	GK51	IK51	GK51	IK51	FK52	FK52	GK52	FK52	FK52	GK52	FK52	FK52	FK52	GK52	FK52	GK51	IK51	DK51	DK51	FK51	FK52	FK52	FK52	
G	Int	Wp					W14	We		Wo	Wn		W6	W5	W8		Rp				Ww	R6	R5	R4		
	1	CONTROL PANEL	3	POT	EOM	INT. LACE	AUX	AUX	AUX	AUX	MAG TAPE	PIN	PRI INT	INTERRUPT LOGIC	PHOTO RDR	PHOTO RDR AMP	PHOTO	RDR	LOGIC			AUTO ST LOGIC	AUTO ST	INT LACE		
P1	P2	P3	P10	P10	P14	P6	P6	P6	P6	P14	P15	P8	SK55 1 & 2	SK55 3 & 4	P4	HK54	IK53	RK51	SK56	GK51	IK51	SK55	P12	P15		

910 } Parallel Output 5G  
 920 }

910 6G  
 920 6G  
 Interlace Wired

Pin	Logic	Conn Circuit	Pin	Logic	Conn Circuit
1	Pot 1	(bead)	25	(C5)	(bead)
2	Pot 2	"	26	(C6)	"
3	Ioc	"	27	(C7)	"
4	Buc	"	28	(C8)	"
5	Sys	(bead)	29	(C9)	"
6	Eom		30	(C10)	"
7	Q1		31	(C11)	"
8	Q2		32	(C12)	"
9			33	(C13)	"
10			34	(C14)	"
11			35	(C15)	"
12			36	(C16)	"
13			37	(C17)	"
14	$\overline{Sio}$	(short)	38	(C18)	"
15	$\overline{Ssc}$	"	39	(C19)	"
16	$\overline{Rt}$	"	40	(C20)	"
17	$\overline{St}$	(short)	41	(C21)	"
18	$\overline{C17}$		42	(C22)	"
19		(bead)	43	(C23)	(bead)
20	(Co)	"	44	+ 0V	(short)
21	(C1)	"	45	+ 8V	"
22	(C2)	"	46	-25V	"
23	(C3)	"	47	+25V	(short)
24	(C4)	(bead)			

Pin	Logic	Conn Circuit	Pin	Logic	Conn Circuit
1	Pot 1	(bead)	25	(C5)	(bead)
2	Pot 2	"	26	(C6)	"
3	Ioc	"	27	(C7)	"
4	Buc	"	28	(C8)	"
5	Sys	(bead)	29	(C9)	"
6	Eom	(short)	30	(C10)	"
7	Q1	"	31	(C11)	"
8	Q2	"	32	(C12)	"
9	W9	"	33	(C13)	"
10	Y9	(short)	34	(C14)	"
11	$\overline{Ewf}$	DIODE	35	(C15)	"
12	Rf	SHORT	36	(C16)	"
13			37	(C17)	"
14	$\overline{Sio}$	(short)	38	(C18)	"
15	$\overline{Ssc}$	"	39	(C19)	"
16	$\overline{Rt}$	8.2k Pull up	40	(C20)	"
17	$\overline{St}$	(short)	41	(C21)	"
18	$\overline{C17}$	(short)	42	(C22)	"
19	(Cp)	(bead)	43	(C23)	(bead)
20	(Co)	"	44	+ 0V	(short)
21	(C1)	"	45	+ 8V	"
22	(C2)	"	46	-25V	"
23	(C3)	"	47	+25V	(short)
24	(C4)	"			

Key = 6-20

Key = 6-20

910 25G  
 920 25G  
 Interlace Wired

CONNECTOR 28N  
 PRIORITY INTERRUPT

Pin	Logic	Conn Circuit	Pin	Logic	Conn Circuit
1	$\overline{Tsm}$	(bead)	25	$\overline{Hsw}$	DIODE
2	Wp	"	26	$\overline{Hsy}$	DIODE
3	$\overline{Wp}$	"	27	$\overline{Iwf}$	
4	Wh	"	28		
5	Yh	(bead)	29	Iwf	(short)
6	Iw	(short)	30	Iw10	"
7	$\overline{Iw} \overline{Ew}$	"	31	Iw11	"
8	Iy	"	32	Iw12	"
9	$\overline{Iy} \overline{Ey}$	"	33	Iw13	"
10	Iy10	(short)	34	Iw14	"
11	Iy11	"	35	Iw15	"
12	Iy12	"	36	Iw16	"
13	Iy13	"	37	Iw17	"
14	Iy14	"	38	Iw18	"
15	Iy15	"	39	Iw19	"
16	Iy16	"	40	Iw20	"
17	Iy17	"	41	Iw21	"
18	Iy18	"	42	Iw22	"
19	Iy19	"	43	Iw23	"
20	Iy20	"	44	+ 0V	"
21	Iy21	"	45	+ 8V	"
22	Iy22	"	46	-25V	"
23	Iy23	"	47	+25V	(short)
24	Iyf	(short)			

Key = 6-18

Pin	Logic	Conn Circuit	Pin	Logic	Conn Circuit
1			25		
2			26	$\overline{Ir}$	Short
3			27		
4			28		
5			29	$\overline{N9}$	Short
6			30	$\overline{N10}$	"
7			31	$\overline{N11}$	"
8			32	$\overline{N12}$	"
9			33	$\overline{N13}$	"
10			34	$\overline{N14}$	"
11			35	$\pi \overline{ip36}$	"
12			36	$\pi \overline{is36}$	"
13			37	(T22-T17)*	"
14			38	Ib*	"
15	$\overline{N5}$	Short	39	(Int F1 T22-T17)*	Short
16	$\overline{N6}$	"	40		
17	$\overline{N7}$	"	41		
18	$\overline{N8}$	"	42		
19			43		
20			44	+ 0	Short
21			45	+ 8	"
22			46	-25	"
23	$\overline{St}$	Short	47	+25	"
24	$\overline{Ix}$	"			

Key = 6-14

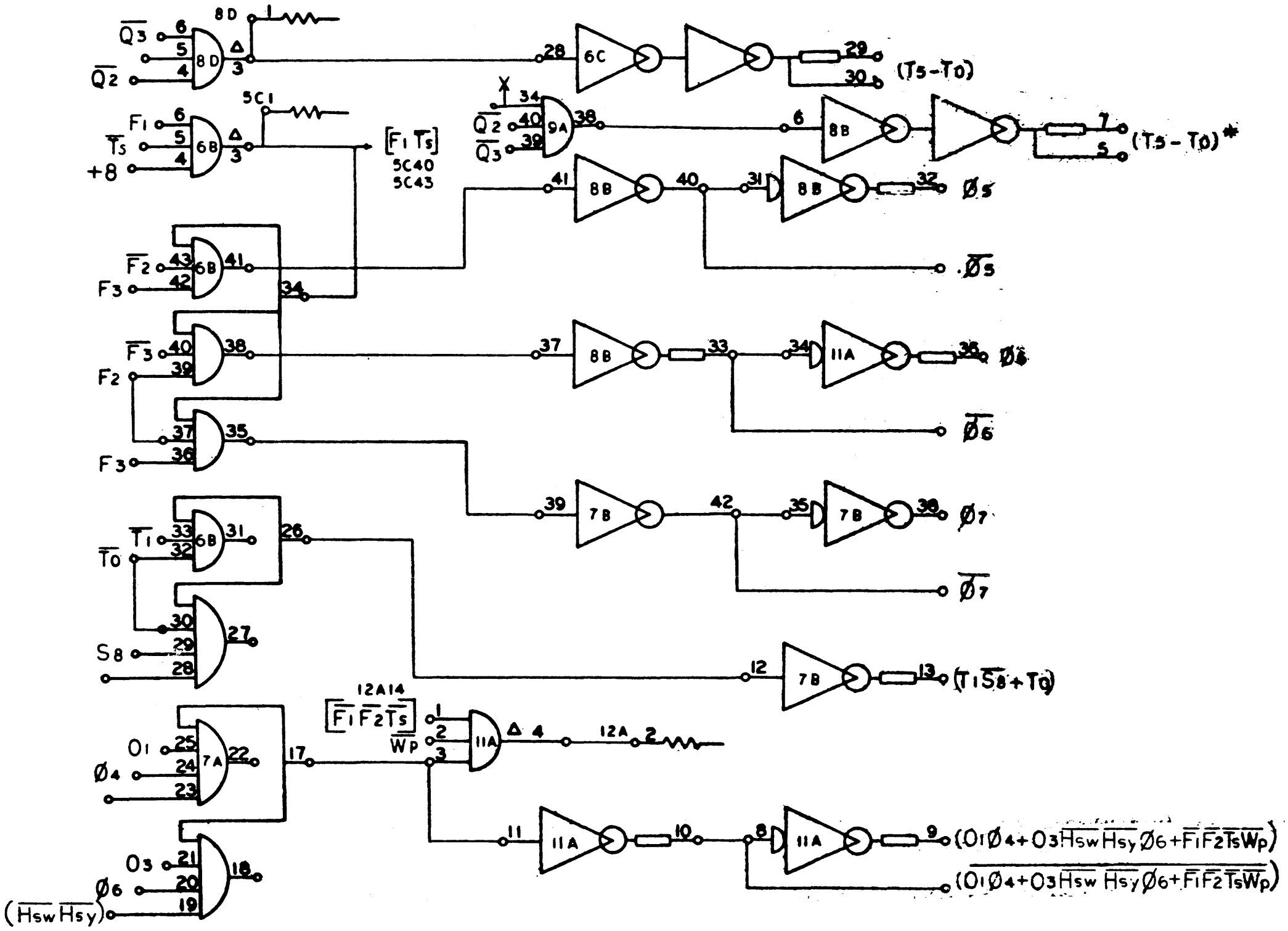
OA or OOA	LOGIC	OA or OOA	LOGIC
1	M1	26	Memory Disable
2	M2	27	Me
3	M3	28	$\overline{W9}$
4	M4	29	$\overline{Y9}$
5	M5	30	( $\overline{02}$ $\overline{03}$ $\phi_0$ $\overline{1a}$ )
6	M6	31	S1
7	M7	32	S2
8	M8	33	S3
9	M9	34	S4
10	M10	35	S5
11	M11	36	S6
12	M12	37	S7
13	M13	38	S8
14	M14	39	S9
15	M15	40	S10
16	M16	41	S11
17	M17	42	S12
18	M18	43	S13
19	M19	44	S14
20	M20	45	Ts
21	M21	46	$\overline{T_s}$
22	M22	47	Wp
23	M23	48	$\overline{Wp}$
24	M24	49	Tsm
25	MO	50	$\overline{Tsm}$
		51	T24

OB or OOB	LOGIC	OB or OOB	LOGIC
1	C1	26	Mc
2	C2	27	Tsm $\overline{Wp}$
3	C3	28	Tsm Wp
4	C4	29	Q1
5	C5	30	$\overline{St}$
6	C6	31	Q2
7	C7	32	Mg
8	C8	33	$\overline{Q3}$
9	C9	34	Q4
10	C10	35	Q5
11	C11	36	$\overline{Q5}$
12	C12	37	Tp
13	C13	38	O5
14	C14	39	Po
15	C15	40	$\phi_4$
16	C16	41	
17	C17	42	(T5-To)
18	C18	43	F3°
19	C19	44	$\overline{06}^\circ$
20	C20	45	$\overline{Q4}^\circ$
21	C21	46	Margin Cur. Reg.
22	C22	47	Margin Voltage Reg.
23	C23	48	
24	C24	49	
25	CO	50	Clock
		51	Clock

OC or OOC	LOGIC	OC or OOC	LOGIC
1	Rf*	26	
2	(Tsm + Rf)	27	
3	(F1+F2F3 +Tsm*Iwf)	28	
4	Cxi	29	
5	(Iwf)	30	(Iw10)
6		31	(Iw11)
7		32	(Iw12)
8		33	(Iw13)
9		34	(Iw14)
10	(Iy10)	35	(Iw15)
11	(Iy11)	36	(Iw16)
12	(Iy12)	37	(Iw17)
13	(Iy13)	38	(Iw18)
14	(Iy14)	39	(Iw19)
15	(Iy15)	40	(Iw20)
16	(Iy16)	41	(Iw21)
17	(Iy17)	42	(Iw22)
18	(Iy18)	43	(Iw23)
19	(Iy19)	44	B Clock
20	(Iy20)	45	R Clock
21	(Iy21)	46	+ 18
22	(Iy22)	47	+ 18
23	(Iy23)	48	+ 18
24		49	+ 15
25		50	- 15
		51	+ 50

910 920 Y Buffer			25C 1C Wired		
Pin	Logic	Conn Circuit	Pin	Logic	Conn Circuit
1	Buc	Short	25	(Y9 Y10 Y11 Y12 Y13 Y14)	Short
2	Ioc		26	(Sio)	
3	Yx		27	(St)	
4	(Yx)		28	C12	
5	(T22-T17)		29	C13	
6	(T5-T0)		30	C14	
7	T0		31	C15	
8	Tp		32	C16	
9	T24		33	C17	
10	(En + (En))		34	C18	
11	Q2		35	C19	
12	(Tp T24)*		36	C20	
13	(Y9)		37	C21	
14	C23**		38	C22	
15	(Yh)		39	C23	
16	(Tsy)		40	(C20)	
17	(Yf (Y0 + Y9))		41	(C23)	
18	(Ye)		42	Clock, Black	
19	(Yn)		43	Clock, red	Short
20	(11y)		44	+ 0V	
21	(12y)		45	+ 8V	
22	(Iy)		46	-25	
23	(Iy Ey)		47	+25V	
24	(lyf)	Short			

Key = 6-24







PAGE	CHG	PAGE	CHG	PAGE	CHG	PAGE	CHG	PAGE	CHG
1	E								
2	B								
3	A								
4	A								
5	A								
6	A								
7	A								
8	A								
9	A								
10	A								
11	B								
12	A								
13	A								
14	A								
15	C								
16	A								
17	A								
18	A								
19	E								
20	A								
21	A								
22	C								
23	A								
24	A								
25	A								
26	C								
27	D								
28	A								
29	A								
30	A								
31	A								
32	A								
33	A								
34	B								
35	E								

104337 PAGE	REPLACES 101701 PAGE
2	1
3	29
4	30
5	36
6	40
7	41
8	52
9	58
10	64
11	66
12	67
13	83
14	99
15	110
16	111
17	112
18	114
19	

104337 PAGE	REPLACES 101701 PAGE
20	139
21	141
22	143
23	145
24	146
25	147
26	150
27	151
28	152
29	153
30	164
31	168
32	169
33	170
34	44
35	16

THIS DWG REPLACES IN PART, DWG 101701, WHEN A 920 COMPUTER IS USED IN CONJUNCTION WITH A 9149 HIGH SPEED INTERLACE. THE PAGES OF THIS DWG. REPLACE PAGES OF 101701 AS INDICATED ABOVE:

NOTES:

1. REV. LETTERS LISTED INDICATE STATUS OF EACH SHEET OF THIS MULTIPLE SHEET DRAWING.
2. CHECK INDIVIDUAL SHEETS FOR REVISION LETTER AGAINST THIS SHEET BEFORE USING THIS DRAWING.

REFERENCE DESIGNATIONS ARE ABBREVIATED.  
PREFIX THE DESIGNATION WITH UNIT NUMBER  
OR ASSEMBLY DESIGNATION OR BOTH.  
(MIL. STD. 16B)

PIN LOCATOR

LOC	14	LOC	15	LOC	16	LOC	17	LOC	18	LOC	19	LOC	20	LOC	21	LOC	22	LOC	23	LOC	24	LOC	25	LOC	
PIN	PAGE	PIN	PAGE	PIN	PAGE	PIN	PAGE	PIN	PAGE	PIN	PAGE	PIN	PAGE	PIN	PAGE	PIN	PAGE	PIN	PAGE	PIN	PAGE	PIN	PAGE	PIN	PAGE
1		1		1		1		1		1		1		1	64	1	64	1		1		1		1	
2		2		2		2		2		2		2		2	114	2		2		2		2		2	
3		3		3		3		3		3		3		3		3		3		3		3		3	
4		4		4		4		4		4		4		4		4		4		4		4		4	
5		5		5		5		5		5		5		5		5	1	5		5		5		5	
6		6		6		6		6		6		6		6		6	1	6		6		6		6	
7		7		7		7		7		7		7		7	1	7	1	7		7		7		7	
8		8		8		8		8		8		8		8		8	35	8		8		8		8	
9		9		9		9		9		9		9		9		9	35	9		9		9		9	
10		10		10		10		10		10		10		10		10	64	10		10		10		10	
11		11		11		11		11		11		11		11		11	64	11		11		11		11	
12		12		12		12		12		12		12		12		12	114	12		12		12		12	
13		13		13		13		13		13		13		13		13	114	13		13		13		13	
14		14		14		14		14		14		14		14		14	114	14		14		14		14	
15		15		15		15		15		15		15		15		15	114	15		15		15		15	
16		16		16		16		16		16		16		16		16	110	16		16		16		16	
17		17		17		17		17	114	17		17		17	110	17		17		17		17		17	
18		18		18		18		18	114	18		18		18		18		18		18		18		18	
19		19		19		19		19	114	19		19		19		19		19		19		19		19	
20		20		20		20		20	114	20		20		20		20		20		20		20		20	
21		21		21		21		21		21		21		21		21		21		21		21		21	
22		22		22		22		22		22		22		22		22	114	22		22		22		22	
23		23		23		23		23		23		23		23		23	114	23		23		23		23	
24		24		24		24		24		24		24		24		24	114	24		24		24		24	
25		25		25		25		25		25		25		25		25		25		25		25		25	
26		26		26		26		26		26		26		26		26		26		26		26		26	
27		27		27		27		27		27		27		27		27		27		27		27		27	
28		28		28		28		28		28		28		28		28	40	28		28		28		28	
29		29		29		29		29		29		29		29		29	40	29		29		29		29	
30		30		30		30		30		30		30		30		30	40	30		30		30		30	
31		31		31		31		31		31		31		31		31	66	31		31		31		31	
32		32		32		32		32		32		32		32		32	66	32		32		32		32	
33		33		33		33		33		33		33		33		33	114	33		33		33		33	
34		34		34		34		34		34		34		34	40	34		34		34		34		34	
35		35		35		35		35		35		35		35		35		35		35		35		35	
36		36		36		36		36		36		36		36		36		36		36		36		36	
37		37		37		37		37		37		37		37		37		37		37		37		37	
38		38		38		38		38		38		38		38		38		38		38		38		38	
39		39		39		39		39		39		39		39		39	40	39		39		39		39	
40		40		40		40		40		40		40		40		40	40	40		40		40		40	
41		41		41		41		41		41		41		41		41	40	41		41		41		41	
42		42		42		42		42		42		42		42		42	40	42		42		42		42	
43		43		43		43		43		43		43		43		43	114	43		43		43		43	
44		44		44		44		44		44		44		44		44		44		44		44		44	
45		45		45		45		45		45		45		45		45		45		45		45		45	
46		46		46		46		46		46		46		46		46		46		46		46		46	
47		47		47		47		47		47		47		47		47		47		47		47		47	

ROW  
G

PIN LOCATOR

LOC	26	LOC	27	LOC	28	LOC	29	LOC	30	LOC	31	LOC	32	LOC	33	LOC	34	LOC	35	LOC	36	LOC	37	LOC	38
PIN	PAGE	PIN	PAGE	PIN	PAGE	PIN	PAGE	PIN	PAGE	PIN	PAGE	PIN	PAGE	PIN	PAGE	PIN	PAGE	PIN	PAGE	PIN	PAGE	PIN	PAGE	PIN	PAGE
1		1	135	1		1	135	1		1		1		1		1		1		1		1		1	133
2		2	135	2		2	135	2		2		2		2		2		2		2		2		2	
3		3	135	3		3		3		3		3		3		3		3		3		3		3	
4		4		4		4		4		4		4		4		4		4		4		4		4	133
5		5		5		5		5		5		5		5		5		5		5		5		5	
6		6		6		6	135	6		6		6		6		6		6		6		6		6	133
7		7		7		7		7	117	7	121	7	118	7	122	7	119	7	123	7	120	7	124	7	
8		8		8		8		8		8		8		8		8		8		8		8		8	
9		9		9		9	135	9		9		9		9		9		9		9		9		9	
10		10		10		10	135	10		10		10		10		10		10		10		10		10	
11		11		11		11		11		11		11		11		11		11		11		11		11	
12		12		12		12		12		12		12		12		12		12		12		12		12	
13		13		13		13		13		13		13		13		13		13		13		13		13	
14		14		14		14	135	14		14		14		14		14		14		14		14		14	
15		15		15		15		15		15		15		15		15		15		15		15		15	
16		16		16		16	135	16	117	16	121	16	118	16	122	16	119	16	123	16	120	16	124	16	
17		17		17		17		17		17		17		17		17		17		17		17		17	133
18		18		18		18	135	18	117	18	121	18	118	18	122	18	119	18	123	18	120	18	124	18	
19		19		19		19		19		19		19		19		19		19		19		19		19	
20		20		20		20	135	20	117	20	121	20	118	20	122	20	119	20	123	20	120	20	124	20	
21		21		21		21		21		21		21		21		21		21		21		21		21	
22		22		22		22	135	22	117	22	121	22	118	22	122	22	119	22	123	22	120	22	124	22	
23		23		23		23		23		23		23		23		23		23		23		23		23	
24		24		24		24		24	117	24	121	24	118	24	122	24	119	24	123	24	120	24	124	24	
25		25		25		25		25		25		25		25		25		25		25		25		25	
26		26		26		26		26	117	26	121	26	118	26	122	26	119	26	123	26	120	26	124	26	
27		27		27		27		27	117	27	121	27	118	27	122	27	119	27	123	27	120	27	124	27	133
28		28		28		28		28	117	28	121	28	118	28	122	28	119	28	123	28	120	28	124	28	133
29		29		29		29		29		29		29		29		29		29		29		29		29	
30		30		30		30		30	117	30	121	30	118	30	122	30	119	30	123	30	120	30	124	30	
31		31		31		31		31		31		31		31		31		31		31		31		31	
32		32		32		32		32	117	32	121	32	118	32	122	32	119	32	123	32	120	32	124	32	
33		33		33		33		33		33		33		33		33		33		33		33		33	
34		34		34		34		34		34		34		34		34		34		34		34		34	
35		35		35		35	135	35		35		35		35		35		35		35		35		35	
36		36	135	36		36	135	36		36		36		36		36		36		36		36		36	
37		37		37		37		37		37		37		37		37		37		37		37		37	
38		38		38		38		38		38		38		38		38		38		38		38		38	
39		39		39		39		39		39		39		39		39		39		39		39		39	
40		40	135	40		40		40		40		40		40		40		40		40		40		40	
41		41		41		41		41		41		41		41		41		41		41		41		41	
42		42		42		42		42	117	42	121	42	118	42	122	42	119	42	123	42	120	42	124	42	
43		43	135	43		43		43	117	43	121	43	118	43	122	43	119	43	123	43	120	43	124	43	
44		44		44		44		44		44		44		44		44		44		44		44		44	
45		45		45		45		45		45		45		45		45		45		45		45		45	
46		46		46		46		46		46		46		46		46		46		46		46		46	
47		47		47		47		47		47		47		47		47		47		47		47		47	

ROW  
B

PIN LOCATOR

LOC	39	LOC	40	LOC	41	LOC	42	LOC	43	LOC	44	LOC	45	LOC	LOC	LOC	LOC	LOC	LOC	LOC	LOC	LOC	LOC	LOC	
PIN	PAGE	PIN	PAGE	PIN	PAGE	PIN	PAGE	PIN	PAGE	PIN	PAGE	PIN	PAGE	PIN	PAGE	PIN	PAGE	PIN	PAGE	PIN	PAGE	PIN	PAGE	PIN	PAGE
1	7	1	1	1	7	1	8	1	8	1		1	138	1	1	1	1	1	1	1	1	1	1	1	
2		2		2		2		2		2		2	138	2	2	2	2	2	2	2	2	2	2	2	
3		3		3		3		3		3		3	138	3	3	3	3	3	3	3	3	3	3	3	
4		4		4		4		4		4		4		4	4	4	4	4	4	4	4	4	4	4	
5		5		5		5		5		5		5		5	5	5	5	5	5	5	5	5	5	5	
6		6		6		6		6		6		6		6	6	6	6	6	6	6	6	6	6	6	
7		7		7		7		7		7		7		7	7	7	7	7	7	7	7	7	7	7	
8	9	8	11	8	9	8	9	8	9	8	8	8	8	8	8	8	8	8	8	8	8	8	8	8	
9		9		9		9		9		9		9		9	9	9	9	9	9	9	9	9	9	9	
10		10		10		10		10		10		10		10	10	10	10	10	10	10	10	10	10	10	
11		11		11		11		11		11		11		11	11	11	11	11	11	11	11	11	11	11	
12		12		12		12		12		12		12		12	12	12	12	12	12	12	12	12	12	12	
13		13		13		13		13		13		13		13	13	13	13	13	13	13	13	13	13	13	
14		14		14		14		14		14		14		14	14	14	14	14	14	14	14	14	14	14	
15	7	15		15	7	15	8	15	8	15	15	15	15	15	15	15	15	15	15	15	15	15	15	15	
16		16		16		16		16		16		16		16	16	16	16	16	16	16	16	16	16	16	
17		17		17		17		17		17		17		17	17	17	17	17	17	17	17	17	17	17	
18		18		18		18		18		18		18		18	18	18	18	18	18	18	18	18	18	18	
19		19	15	19		19		19		19		19		19	19	19	19	19	19	19	19	19	19	19	
20		20	15	20		20		20		20		20		20	20	20	20	20	20	20	20	20	20	20	
21		21	15	21		21		21		21		21		21	21	21	21	21	21	21	21	21	21	21	
22		22		22		22		22		22		22		22	22	22	22	22	22	22	22	22	22	22	
23		23		23		23		23		23		23		23	23	23	23	23	23	23	23	23	23	23	
24		24		24		24		24		24		24		24	24	24	24	24	24	24	24	24	24	24	
25		25	15	25		25		25		25		25		25	25	25	25	25	25	25	25	25	25	25	
26		26	15	26		26		26		26		26		26	26	26	26	26	26	26	26	26	26	26	
27		27	15	27		27		27		27		27		27	27	27	27	27	27	27	27	27	27	27	
28	9	28	14	28	9	28	9	28	9	28	28	28	28	28	28	28	28	28	28	28	28	28	28	28	
29		29	14	29		29		29		29		29		29	29	29	29	29	29	29	29	29	29	29	
30		30	14	30		30		30		30		30		30	30	30	30	30	30	30	30	30	30	30	
31		31	11	31		31		31		31		31		31	31	31	31	31	31	31	31	31	31	31	
32		32		32		32		32		32		32		32	32	32	32	32	32	32	32	32	32	32	
33		33		33		33		33		33		33		33	33	33	33	33	33	33	33	33	33	33	
34		34		34		34		34		34		34		34	34	34	34	34	34	34	34	34	34	34	
35	7	35		35	7	35	8	35	8	35	35	35	35	35	35	35	35	35	35	35	35	35	35	35	
36		36		36		36		36		36	138	36	138	36	36	36	36	36	36	36	36	36	36	36	
37		37		37		37		37		37		37		37	37	37	37	37	37	37	37	37	37	37	
38		38		38		38		38		38		38		38	38	38	38	38	38	38	38	38	38	38	
39		39		39		39		39		39		39		39	39	39	39	39	39	39	39	39	39	39	
40		40		40		40		40		40	138	40	138	40	40	40	40	40	40	40	40	40	40	40	
41		41		41		41		41		41		41		41	41	41	41	41	41	41	41	41	41	41	
42		42		42		42		42		42		42		42	42	42	42	42	42	42	42	42	42	42	
43		43	1	43		43		43		43	138	43	138	43	43	43	43	43	43	43	43	43	43	43	
44		44		44		44		44		44		44		44	44	44	44	44	44	44	44	44	44	44	
45		45		45		45		45		45		45		45	45	45	45	45	45	45	45	45	45	45	
46		46		46		46		46		46		46		46	46	46	46	46	46	46	46	46	46	46	
47		47		47		47		47		47		47		47	47	47	47	47	47	47	47	47	47	47	

ROW  
A

PIN LOCATOR

LOC	26	LOC	27	LOC	28	LOC	29	LOC	30	LOC	31	LOC	32	LOC	33	LOC	34	LOC	35	LOC	36	LOC	37	LOC	38
PIN	PAGE	PIN	PAGE	PIN	PAGE	PIN	PAGE	PIN	PAGE	PIN	PAGE	PIN	PAGE	PIN	PAGE	PIN	PAGE	PIN	PAGE	PIN	PAGE	PIN	PAGE	PIN	PAGE
1		1	138	1		1	138	1		1		1		1		1		1		1		1		1	136
2		2	138	2		2	138	2		2		2		2		2		2		2		2		2	
3		3	138	3		3		3		3		3		3		3		3		3		3		3	
4		4		4		4		4		4		4		4		4		4		4		4		4	136
5		5		5		5		5		5		5		5		5		5		5		5		5	
6		6		6		6	138	6		6		6		6		6		6		6		6		6	136
7		7		7		7		7	120	7	124	7	121	7	125	7	122	7	126	7	123	7	127	7	
8		8		8		8		8		8		8		8		8		8		8		8		8	
9		9		9		9	138	9		9		9		9		9		9		9		9		9	
10		10		10		10	138	10		10		10		10		10		10		10		10		10	
11		11		11		11		11		11		11		11		11		11		11		11		11	
12		12		12		12		12		12		12		12		12		12		12		12		12	
13		13		13		13		13		13		13		13		13		13		13		13		13	
14		14		14		14	138	14		14		14		14		14		14		14		14		14	
15		15		15		15		15		15		15		15		15		15		15		15		15	
16		16		16		16	138	16	120	16	124	16	121	16	125	16	122	16	126	16	123	16	127	16	
17		17		17		17		17		17		17		17		17		17		17		17		17	136
18		18		18		18	138	18	120	18	124	18	121	18	125	18	122	18	126	18	123	18	127	18	
19		19		19		19		19		19		19		19		19		19		19		19		19	
20		20		20		20	138	20	120	20	124	20	121	20	125	20	122	20	126	20	123	20	127	20	
21		21		21		21		21		21		21		21		21		21		21		21		21	
22		22		22		22	138	22	120	22	124	22	121	22	125	22	122	22	126	22	123	22	127	22	
23		23		23		23		23		23		23		23		23		23		23		23		23	
24		24		24		24	120	24	124	24	124	24	121	24	125	24	122	24	126	24	123	24	127	24	
25		25		25		25		25		25		25		25		25		25		25		25		25	
26		26		26		26	120	26	124	26	124	26	121	26	125	26	122	26	126	26	123	26	127	26	
27		27		27		27	120	27	124	27	124	27	121	27	125	27	122	27	126	27	123	27	127	27	136
28		28		28		28	120	28	124	28	124	28	121	28	125	28	122	28	126	28	123	28	127	28	136
29		29		29		29		29		29		29		29		29		29		29		29		29	
30		30		30		30	120	30	124	30	124	30	121	30	125	30	122	30	126	30	123	30	127	30	
31		31		31		31		31		31		31		31		31		31		31		31		31	
32		32		32		32	120	32	124	32	124	32	121	32	125	32	122	32	126	32	123	32	127	32	
33		33		33		33		33		33		33		33		33		33		33		33		33	
34		34		34		34		34		34		34		34		34		34		34		34		34	
35		35		35		35	138	35		35		35		35		35		35		35		35		35	
36		36	138	36		36	138	36		36		36		36		36		36		36		36		36	
37		37		37		37		37		37		37		37		37		37		37		37		37	
38		38		38		38		38		38		38		38		38		38		38		38		38	
39		39		39		39		39		39		39		39		39		39		39		39		39	
40		40	138	40		40		40		40		40		40		40		40		40		40		40	
41		41		41		41		41		41		41		41		41		41		41		41		41	
42		42		42		42	120	42	124	42	124	42	121	42	125	42	122	42	126	42	123	42	127	42	
43		43	138	43		43	120	43	124	43	124	43	121	43	125	43	122	43	126	43	123	43	127	43	
44		44		44		44		44		44		44		44		44		44		44		44		44	
45		45		45		45		45		45		45		45		45		45		45		45		45	
46		46		46		46		46		46		46		46		46		46		46		46		46	
47		47		47		47		47		47		47		47		47		47		47		47		47	

ROW  
B

PIN LOCATOR

LOC	39	LOC	40	LOC	41	LOC	42	LOC	43	LOC	44	LOC	45	LOC	LOC	LOC	LOC	LOC	LOC	LOC	LOC	LOC	LOC	LOC	
PIN	PAGE	PIN	PAGE	PIN	PAGE	PIN	PAGE	PIN	PAGE	PIN	PAGE	PIN	PAGE	PIN	PAGE	PIN	PAGE	PIN	PAGE	PIN	PAGE	PIN	PAGE	PIN	PAGE
1	137	1		1		1		1		1	133	1		1		1		1		1		1		1	
2		2		2		2		2		2		2		2		2		2		2		2		2	
3		3		3		3		3		3		3	131	3		3		3		3		3		3	
4	137	4		4		4		4		4		4	131	4		4		4		4		4		4	
5		5		5		5		5		5		5		5		5		5		5		5		5	
6	137	6	119	6	118	6	119	6	118	6	133	6	131	6		6		6		6		6		6	
7		7		7		7		7		7		7		7		7		7		7		7		7	
8		8	119	8	118	8	119	8	118	8	133	8	131	8		8		8		8		8		8	
9		9		9		9		9		9		9		9		9		9		9		9		9	
10		10	119	10	118	10	119	10	118	10	134	10	131	10		10		10		10		10		10	
11		11		11		11		11		11		11		11		11		11		11		11		11	
12		12	119	12	118	12	119	12	118	12	134	12	131	12		12		12		12		12		12	
13		13		13		13		13		13		13		13		13		13		13		13		13	
14		14	119	14	118	14	119	14	118	14	134	14	131	14		14		14		14		14		14	
15		15		15		15		15		15		15		15		15		15		15		15		15	
16		16	119	16	118	16	119	16	118	16	134	16	131	16		16		16		16		16		16	
17	137	17		17		17		17		17		17		17		17		17		17		17		17	
18		18	119	18	118	18	119	18	118	18	134	18	131	18		18		18		18		18		18	
19		19		19		19		19		19		19		19		19		19		19		19		19	
20		20	119	20	118	20	119	20	118	20	134	20	131	20		20		20		20		20		20	
21		21		21		21		21		21		21		21		21		21		21		21		21	
22		22	119	22	118	22	119	22	118	22	134	22	132	22		22		22		22		22		22	
23		23		23		23		23		23		23		23		23		23		23		23		23	
24		24	119	24	118	24	119	24	118	24	134	24	132	24		24		24		24		24		24	
25		25		25		25		25		25		25		25		25		25		25		25		25	
26		26		26		26		26		26	134	26	132	26		26		26		26		26		26	
27	137	27		27		27		27		27		27		27		27		27		27		27		27	
28	137	28		28		28		28		28	134	28	132	28		28		28		28		28		28	
29		29		29		29		29		29		29		29		29		29		29		29		29	
30		30	119	30	118	30	119	30	118	30	135	30	132	30		30		30		30		30		30	
31		31		31		31		31		31		31		31		31		31		31		31		31	
32		32	119	32	118	32	119	32	118	32	135	32	132	32		32		32		32		32		32	
33		33		33		33		33		33		33		33		33		33		33		33		33	
34		34	119	34	118	34	119	34	118	34	135	34	132	34		34		34		34		34		34	
35		35		35		35		35		35		35		35		35		35		35		35		35	
36		36	119	36	118	36	119	36	118	36	135	36	132	36		36		36		36		36		36	
37		37		37		37		37		37		37	132	37		37		37		37		37		37	
38		38		38		38		38		38		38	132	38		38		38		38		38		38	
39		39		39		39		39		39		39	133	39		39		39		39		39		39	
40		40		40		40		40		40		40		40		40		40		40		40		40	
41		41		41		41		41		41		41		41		41		41		41		41		41	
42		42		42		42		42		42		42		42		42		42		42		42		42	
43		43		43		43		43		43		43		43		43		43		43		43		43	
44		44		44		44		44		44		44		44		44		44		44		44		44	
45		45		45		45		45		45		45		45		45		45		45		45		45	
46		46		46		46		46		46		46		46		46		46		46		46		46	
47		47		47		47		47		47		47		47		47		47		47		47		47	

ROW  
B

PIN LOCATOR

← ROWS 29 - 40 →

LOC	26	LOC	27	LOC	28	LOC	LOC	LOC	41	LOC	42	LOC	43	LOC	44	LOC	45	LOC	LOC	LOC	LOC		
PIN	PAGE	PIN	PAGE	PIN	PAGE	PIN	PAGE	PIN	PAGE	PIN	PAGE	PIN	PAGE	PIN	PAGE	PIN	PAGE	PIN	PAGE	PIN	PAGE	PIN	PAGE
1		1		1		1		1		1		1		1		1		1		1		1	
2		2		2		2		2		2		2		2		2		2		2		2	
3		3		3		3		3		3		3		3		3		3		3		3	
4		4		4		4		4		4		4		4		4		4		4		4	
5		5		5		5		5		5		5		5		5		5		5		5	
6		6		6		6		6		6		6		6		6		6		6		6	
7		7		7		7		7		7		7		7		7		7		7		7	
8		8		8		8		8	135	8	134	8	133	8	132	8	131	8		8		8	
9	130	9	129	9	128	9		9		9		9		9		9		9		9		9	
10		10		10		10		10	135	10	134	10	133	10	132	10	131	10		10		10	
11		11		11		11		11		11		11		11		11		11		11		11	
12		12		12		12		12	135	12	134	12	133	12	132	12	131	12		12		12	
13		13		13		13		13		13		13		13		13		13		13		13	
14		14		14		14		14	135	14	134	14	133	14	132	14	131	14		14		14	
15		15		15		15		15		15		15		15		15		15		15		15	
16	130	16	129	16	128	16		16	135	16	134	16	133	16	132	16	131	16		16		16	
17		17		17		17		17		17		17		17		17		17		17		17	
18		18		18		18		18	135	18	134	18	133	18	132	18	131	18		18		18	
19		19		19		19		19		19		19		19		19		19		19		19	
20		20		20		20		20	135	20	134	20	133	20	132	20	131	20		20		20	
21		21		21		21		21		21		21		21		21		21		21		21	
22		22		22		22		22	135	22	134	22	133	22	132	22	131	22		22		22	
23		23		23		23		23		23		23		23		23		23		23		23	
24		24		24		24		24	135	24	134	24	133	24	132	24	131	24		24		24	
25		25		25		25		25		25		25		25		25		25		25		25	
26		26		26		26		26		26		26		26		26		26		26		26	
27		27		27		27		27		27		27		27		27		27		27		27	
28		28		28		28		28	135	28	134	28	133	28	132	28	131	28		28		28	
29		29		29		29		29		29		29		29		29		29		29		29	
30		30		30		30		30	135	30	134	30	133	30	132	30	131	30		30		30	
31		31		31		31		31		31		31		31		31		31		31		31	
32		32		32		32		32	135	32	134	32	133	32	132	32	131	32		32		32	
33		33		33		33		33		33		33		33		33		33		33		33	
34		34		34		34		34	135	34	134	34	133	34	132	34	131	34		34		34	
35		35		35		35		35		35		35		35		35		35		35		35	
36	130	36	129	36	128	36		36	135	36	134	36	133	36	132	36	131	36		36		36	
37		37		37		37		37		37		37		37		37		37		37		37	
38		38		38		38		38	135	38	134	38	133	38	132	38	131	38		38		38	
39		39		39		39		39		39		39		39		39		39		39		39	
40		40		40		40		40		40		40		40		40		40		40		40	
41		41		41		41		41		41		41		41		41		41		41		41	
42		42		42		42		42		42		42		42		42		42		42		42	
43	130	43	129	43	128	43		43	135	43	134	43	133	43	132	43	131	43		43		43	
44		44		44		44		44		44		44		44		44		44		44		44	
45		45		45		45		45		45		45		45		45		45		45		45	
46		46		46		46		46		46		46		46		46		46		46		46	
47		47		47		47		47		47		47		47		47		47		47		47	

ROW  
C



PAGE	CHG	PAGE	CHG	PAGE	CHG	PAGE	CHG	PAGE	CHG
1	A	41	F	81	J	121	C	158	E
2	A	42	J	82	A	122	C	159	D
3	A	43	A	83	A	123	C	160	D
4	A	44	A	84	A	124	C	161	D
5	A	45	A	85	A	125	C	162	E
6	A	46	A	86	A	126	C	163	E
7	A	47	A	87	A	127	C	164	E
8	A	48	A	88	A	128	A	165	E
9	A	49	A	89	B	129	A	166	E
10	A	50	A	90	A	130	A	167	E
11	A	51	A	91	A	131	A	168	N
12	A	52	A	92	B	132	A	169	E
13	D	53	A	93	A	133	A	170	J
14	A	54	B	94	A	134	A	175	E
15	A	55	A	95	A	135	A		
16	M	56	A	96	A	136	C		
17	A	57	A	97	A	137	C		
18	A	58	B	98	A	138	D		
19	A	59	A	99	A	139	J		
20	A	60	A	100	A	140	A		
21	J	61	A	101	G	141	A		
22	A	62	A	102	B	142	N		
23	A	63	A	103	A	143	J		
24	A	64	F	104	B	144	A		
25	J	65	A	105	A	144A	N		
26	L	66	A	106	A	144B	N		
27	A	67	G	107	F	145	D		
28	A	68	A	108	A	146	F		
29	A	69	B	109	A	146A	N		
30	D	70	A	110	J	147	F		
31	J	71	A	111	A	148	F		
32	F	72	A	112	A	149	F		
33	F	73	A	113	A	150	J		
34	A	74	A	114	F	151	M		
35	A	75	A	115	F	152	J		
36	A	76	A	116	G	153	J		
37	F	77	A	117	K	154	D		
38	A	78	A	118	A	155	M		
39	A	79	A	119	A	156	A		
40	A	80	L	120	C	157	N		

EFFECTIVITY: WIRE LIST 101081 and 920 Serial  
Numbers not effected.  
General Additions only

NOTES:

1. REV. LETTERS LISTED INDICATE STATUS OF EACH SHEET OF THIS MULTIPLE SHEET DWG.
2. CHECK INDIVIDUAL SHEETS FOR REV. LETTER AGAINST THIS SHEET BEFORE USING THIS DWG.

910  
920  
Interlace

25G  
25G  
Wired

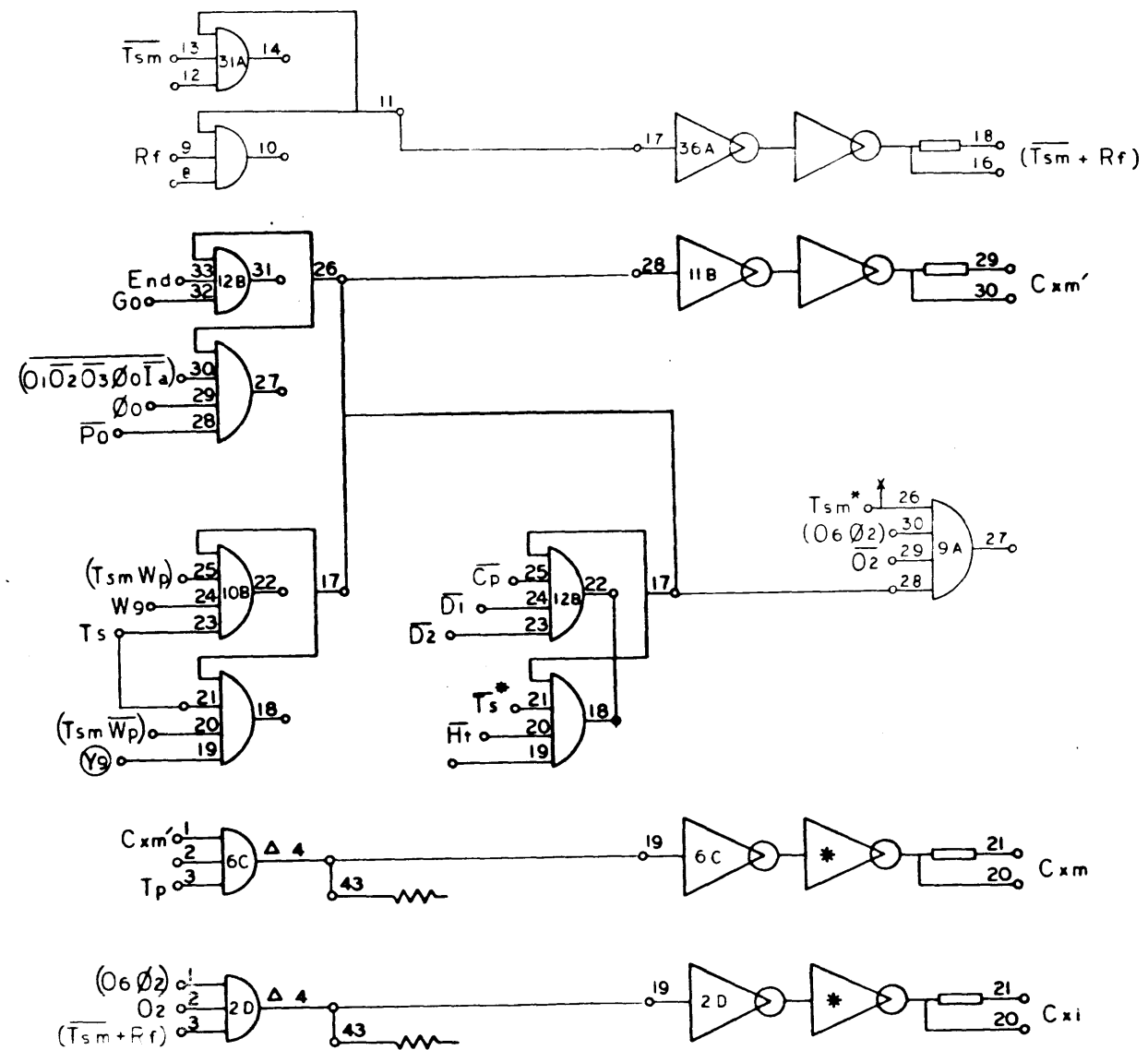
Pin	Logic	Conn Circuit	Pin	Logic	Conn Circuit
1	$\overline{Tsm}$	(bead)	25		
2	Wp	"	26		
3	$\overline{Wp}$	"	27		
4	Wh	"	28		
5	Yh	(bead)	29	Iwf	(short)
6	Iw	(short)	30	Iw10	"
7	$\overline{Iw} \overline{Ew}$	"	31	Iw11	"
8	Iy	"	32	Iw12	"
9	$\overline{Iy} \overline{Ey}$	"	33	Iw13	"
10	Iy10	(short)	34	Iw14	"
11	Iy11	"	35	Iw15	"
12	Iy12	"	36	Iw16	"
13	Iy13	"	37	Iw17	"
14	Iy14	"	38	Iw18	"
15	Iy15	"	39	Iw19	"
16	Iy16	"	40	Iw20	"
17	Iy17	"	41	Iw21	"
18	Iy18	"	42	Iw22	"
19	Iy19	"	43	Iw23	"
20	Iy20	"	44	+ 0V	"
21	Iy21	"	45	+ 8V	"
22	Iy22	"	46	- 25V	"
23	Iy23	"	47	+ 25V	(short)
24	Iyf	(short)			

Key 6-18

Pin	Logic	Conn Circuit	Pin	Logic	Conn Circuit
1			25		
2			26		
3			27		
4			28		
5			29		
6			30		
7			31		
8			32		
9			33		
10			34		
11			35		
12			36		
13			37		
14			38		
15			39		
16			40		
17			41		
18			42		
19			43		
20			44		
21			45		
22			46		
23			47		
24					

920 PAGE 168 N

REV		DESCRIPTION		CHK	DATE	APPROVED
A		RELEASED TO MFG		eib	1/10/63	[Signature]



920  
Page 67  
920(MCD)  
PAGE 12  
A

NO. REG.	DRAWING NO.	DESCRIPTION	REFERENCE DESIGNATION	ITEM NO.
MATERIAL LIST				
NOTES UNLESS SPECIFIED		DRAWN	<b>SDS</b> SCIENTIFIC DATA SYSTEMS 1542 FIFTEENTH STREET SANTA MONICA CALIFORNIA	
1 TOLERANCES XX .030 ANGULAR XXX .010		CHECK	TITLE	
2 BREAK ALL SHARP EDGES 3/16 APPROX		APPR	DIAGRAM, LOGIC COMPUTER (MCD)	
3 MATCH SURFACES ✓			REV	REV NO.
4 ALL DIM IN INCHES			D	104337
MODEL NO.	920(MOD)			A
NEXT ASSY			SCALE	DO NOT SCALE DRAWING

104337/A

REVISIONS				104337
REV	DESCRIPTION	CHK	DATE	APPROVED
A	RELEASED TO MFG	CS	11/11/63	W. H. ...
B	SEE REV. E.O.			
C	SEE REV E.O.			
D	SEE REV EC			
E	SEE REV E.O.			
F	SEE REV E.O.			

PAGE	CHG	PAGE	CHG	PAGE	CHG	PAGE	CHG	PAGE	CHG
1	F								
2	E								
3	A								
4	A								
5	A								
6	A								
7	A								
8	A								
9	A								
10	A								
11	E								
12	A								
13	A								
14	A								
15	C								
16	A								
17	A								
18	A								
19	E								
20	A								
21	A								
22	C								
23	A								
24	A								
25	A								
26	C								
27	D								
28	A								
29	A								
30	A								
31	A								
32	A								
33	A								
34	B								

104337 PAGE	REPLACES 101701 PAGE
2	1
3	29
4	30
5	36
6	40
7	41
8	52
9	58
10	64
11	66
12	67
13	83
14	99
15	110
16	111
17	112
18	114
19	

104337 PAGE	REPLACES 101701 PAGE
20	139
21	141
22	143
23	145
24	146
25	147
26	150
27	151
28	152
29	153
30	164
31	168
32	169
33	170
34	44

THIS DWG REPLACES IN PART, DWG 101701, WHEN A 920 COMPUTER IS USED IN CONJUNCTION WITH A 7149 HIGH SPEED INTERLACE. THE PAGES OF THIS DWG REPLACE PAGES OF 101701 AS INDICATED ABOVE.

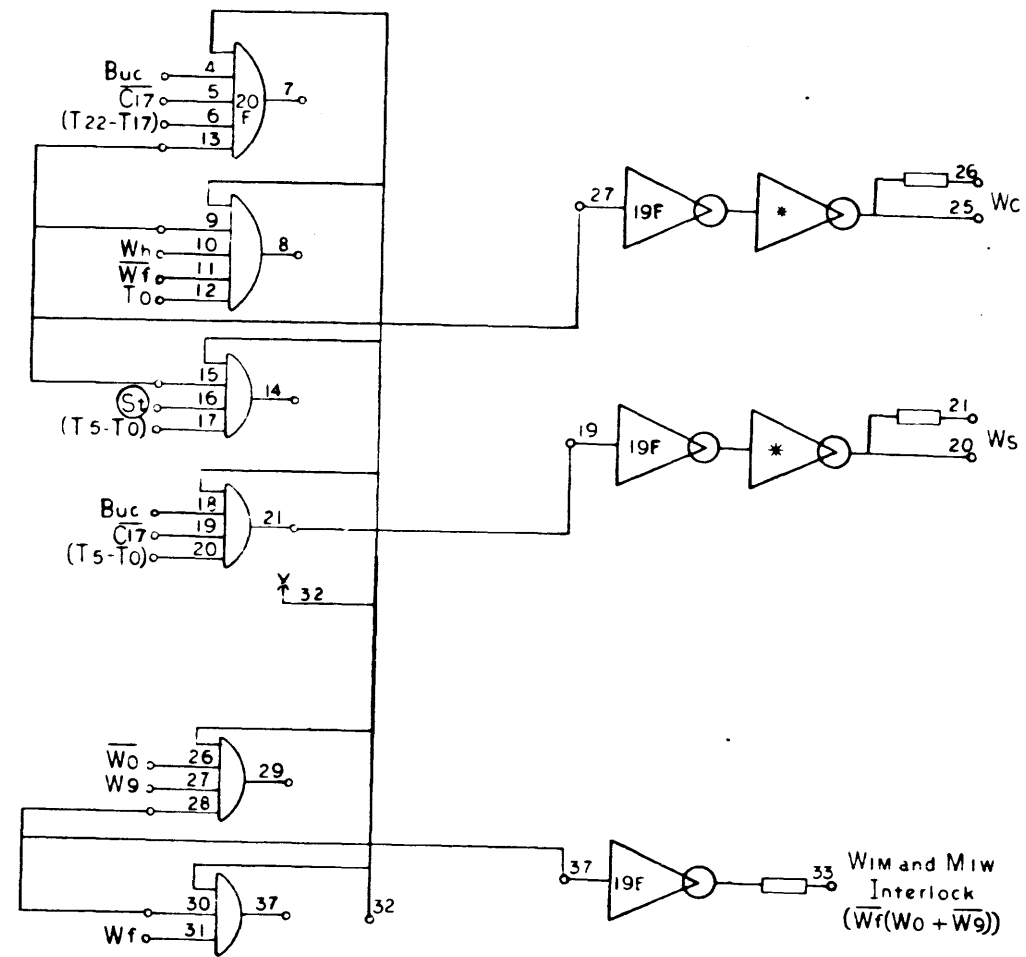
- NOTES:
1. REV LETTERS LISTED INDICATE STATUS OF EACH SHEET OF THIS MULTIPLE SHEET DRAWING.
  2. CHECK INDIVIDUAL SHEETS FOR REVISION LETTER AGAINST THIS SHEET BEFORE USING THIS DRAWING.

REFERENCE DESIGNATIONS ARE ABBREVIATED. PREFIX THE DESIGNATION WITH UNIT NUMBER OR ASSEMBLY DESIGNATION OR BOTH. (MIL. STD. 168)

920(MOD)  
COMPUTER  
PAGE 1  
F

NO. REV.	DRAWING NO.	DESCRIPTION	REFERENCE DESIGNATION	ITEM NO.
NOTES UNLESS SPECIFIED				
1. TOLERANCES	2. ANGULAR	3. CHECK	4. DATE	5. TITLE
± .000	± .000	R. KILPERT	11-12-63	DIAGRAM, LOGIC COMPUTER (MOD)
± .010	± .010		11/11/63	
± .020	± .020		12/3/63	
± .030	± .030			
± .040	± .040			
± .050	± .050			
± .060	± .060			
± .070	± .070			
± .080	± .080			
± .090	± .090			
± .100	± .100			
± .125	± .125			
± .150	± .150			
± .175	± .175			
± .200	± .200			
± .250	± .250			
± .300	± .300			
± .375	± .375			
± .450	± .450			
± .500	± .500			
± .625	± .625			
± .750	± .750			
± .875	± .875			
± 1.000	± 1.000			
± 1.250	± 1.250			
± 1.500	± 1.500			
± 1.750	± 1.750			
± 2.000	± 2.000			
± 2.500	± 2.500			
± 3.000	± 3.000			
± 3.750	± 3.750			
± 4.500	± 4.500			
± 5.000	± 5.000			
± 6.250	± 6.250			
± 7.500	± 7.500			
± 8.750	± 8.750			
± 10.000	± 10.000			
± 12.500	± 12.500			
± 15.000	± 15.000			
± 17.500	± 17.500			
± 20.000	± 20.000			
± 25.000	± 25.000			
± 30.000	± 30.000			
± 37.500	± 37.500			
± 45.000	± 45.000			
± 50.000	± 50.000			
± 62.500	± 62.500			
± 75.000	± 75.000			
± 87.500	± 87.500			
± 100.000	± 100.000			
± 125.000	± 125.000			
± 150.000	± 150.000			
± 175.000	± 175.000			
± 200.000	± 200.000			
± 250.000	± 250.000			
± 300.000	± 300.000			
± 375.000	± 375.000			
± 450.000	± 450.000			
± 500.000	± 500.000			
± 625.000	± 625.000			
± 750.000	± 750.000			
± 875.000	± 875.000			
± 1000.000	± 1000.000			
± 1250.000	± 1250.000			
± 1500.000	± 1500.000			
± 1750.000	± 1750.000			
± 2000.000	± 2000.000			
± 2500.000	± 2500.000			
± 3000.000	± 3000.000			
± 3750.000	± 3750.000			
± 4500.000	± 4500.000			
± 5000.000	± 5000.000			
± 6250.000	± 6250.000			
± 7500.000	± 7500.000			
± 8750.000	± 8750.000			
± 10000.000	± 10000.000			
± 12500.000	± 12500.000			
± 15000.000	± 15000.000			
± 17500.000	± 17500.000			
± 20000.000	± 20000.000			
± 25000.000	± 25000.000			
± 30000.000	± 30000.000			
± 37500.000	± 37500.000			
± 45000.000	± 45000.000			
± 50000.000	± 50000.000			
± 62500.000	± 62500.000			
± 75000.000	± 75000.000			
± 87500.000	± 87500.000			
± 100000.000	± 100000.000			
± 125000.000	± 125000.000			
± 150000.000	± 150000.000			
± 175000.000	± 175000.000			
± 200000.000	± 200000.000			
± 250000.000	± 250000.000			
± 300000.000	± 300000.000			
± 375000.000	± 375000.000			
± 450000.000	± 450000.000			
± 500000.000	± 500000.000			
± 625000.000	± 625000.000			
± 750000.000	± 750000.000			
± 875000.000	± 875000.000			
± 1000000.000	± 1000000.000			
± 1250000.000	± 1250000.000			
± 1500000.000	± 1500000.000			
± 1750000.000	± 1750000.000			
± 2000000.000	± 2000000.000			
± 2500000.000	± 2500000.000			
± 3000000.000	± 3000000.000			
± 3750000.000	± 3750000.000			
± 4500000.000	± 4500000.000			
± 5000000.000	± 5000000.000			
± 6250000.000	± 6250000.000			
± 7500000.000	± 7500000.000			
± 8750000.000	± 8750000.000			
± 10000000.000	± 10000000.000			
± 12500000.000	± 12500000.000			
± 15000000.000	± 15000000.000			
± 17500000.000	± 17500000.000			
± 20000000.000	± 20000000.000			
± 25000000.000	± 25000000.000			
± 30000000.000	± 30000000.000			
± 37500000.000	± 37500000.000			
± 45000000.000	± 45000000.000			
± 50000000.000	± 50000000.000			
± 62500000.000	± 62500000.000			
± 75000000.000	± 75000000.000			
± 87500000.000	± 87500000.000			
± 100000000.000	± 100000000.000			
± 125000000.000	± 125000000.000			
± 150000000.000	± 150000000.000			
± 175000000.000	± 175000000.000			
± 200000000.000	± 200000000.000			
± 250000000.000	± 250000000.000			
± 300000000.000	± 300000000.000			
± 375000000.000	± 375000000.000			
± 450000000.000	± 450000000.000			
± 500000000.000	± 500000000.000			
± 625000000.000	± 625000000.000			
± 750000000.000	± 750000000.000			
± 875000000.000	± 875000000.000			
± 1000000000.000	± 1000000000.000			
± 1250000000.000	± 1250000000.000			
± 1500000000.000	± 1500000000.000			
± 1750000000.000	± 1750000000.000			
± 2000000000.000	± 2000000000.000			
± 2500000000.000	± 2500000000.000			
± 3000000000.000	± 3000000000.000			
± 3750000000.000	± 3750000000.000			
± 4500000000.000	± 4500000000.000			
± 5000000000.000	± 5000000000.000			
± 6250000000.000	± 6250000000.000			
± 7500000000.000	± 7500000000.000			
± 8750000000.000	± 8750000000.000			
± 10000000000.000	± 10000000000.000			
± 12500000000.000	± 12500000000.000			
± 15000000000.000	± 15000000000.000			
± 17500000000.000	± 17500000000.000			
± 20000000000.000	± 20000000000.000			
± 25000000000.000	± 25000000000.000	</		

REVISIONS			101701	D
REV	DESCRIPTION	CHK	DATE	APPROVED
A	RELEASED TO MFG			
M	SEE REV EC			
D	SEE REV EC			



920  
Page 16  
B

NO	REQ	DRAWING NO	DESCRIPTION	REFERENCE DESIGNATION	ITEM NO
NOTES UNLESS SPECIFIED					
1. TOLERANCES		2. DRAWN	MATERIAL LIST		
3. BREAK ALL SHARP EDGES		3. CHECK	SDS SCIENTIFIC DATA SYSTEMS		
4. MACH SURFACES		4. APPR	1425 FIFTEENTH STREET, SANTA MONICA, CALIFORNIA		
5. ALL DIM IN INCHES		TITLE		DIAGRAM, LOGIC COMPUTER	
MODEL NO		SIZE		DWS NO	
920		D		101701	
NEXT ASSY		SCALE		DO NOT SCALE DRAWING SHEET	
				B	

PAGE	CHG	PAGE	CHG	PAGE	CHG	PAGE	CHG	PAGE	CHG
1	A	41	F	81	J	121	C	158	E
2	A	42	J	82	A	122	C	159	D
3	A	43	A	83	A	123	C	160	D
4	A	44	A	84	A	124	C	161	D
5	A	45	A	85	A	125	C	162	E
6	A	46	A	86	A	126	C	163	E
7	A	47	A	87	A	127	C	164	E
8	A	48	A	88	A	128	A	165	E
9	A	49	A	89	B	129	A	166	E
10	A	50	A	90	A	130	A	167	E
11	A	51	A	91	A	131	A	168	N
12	A	52	A	92	B	132	A	169	E
13	C	53	A	93	A	133	A	170	J
14	A	54	B	94	A	134	A	175	E
15	A	55	A	95	A	135	A		
16	F	56	A	96	A	136	C		
17	A	57	A	97	A	137	C		
18	A	58	B	98	A	138	D		
19	A	59	A	99	A	139	J		
20	A	60	A	100	A	140	A		
21	J	61	A	101	G	141	A		
22	A	62	A	102	B	142	N		
23	A	63	A	103	A	143	J		
24	A	64	F	104	B	144	A		
25	J	65	A	105	A	144A	N		
26	L	66	A	106	A	144B	N		
27	A	67	G	107	F	145	D		
28	A	68	A	108	A	146	F		
29	A	69	B	109	A	146A	N		
30	C	70	A	110	J	147	F		
31	J	71	A	111	A	148	F		
32	F	72	A	112	A	149	F		
33	F	73	A	113	A	150	J		
34	A	74	A	114	F	151	M		
35	A	75	A	115	F	152	J		
36	A	76	A	116	G	153	J		
37	F	77	A	117	K	154	D		
38	A	78	A	118	A	155	M		
39	A	79	A	119	A	156	A		
40	A	80	L	120	C	157	P		

NOTES:  
1. REV. LETTERS LISTED INDICATE STATUS OF EACH SHEET OF THIS MULTIPLE SHEET DWG.  
2. CHECK INDIVIDUAL SHEETS FOR REV LETTER AGAINST THIS SHEET BEFORE USING THIS DWG.

920  
PAGE 157  
B

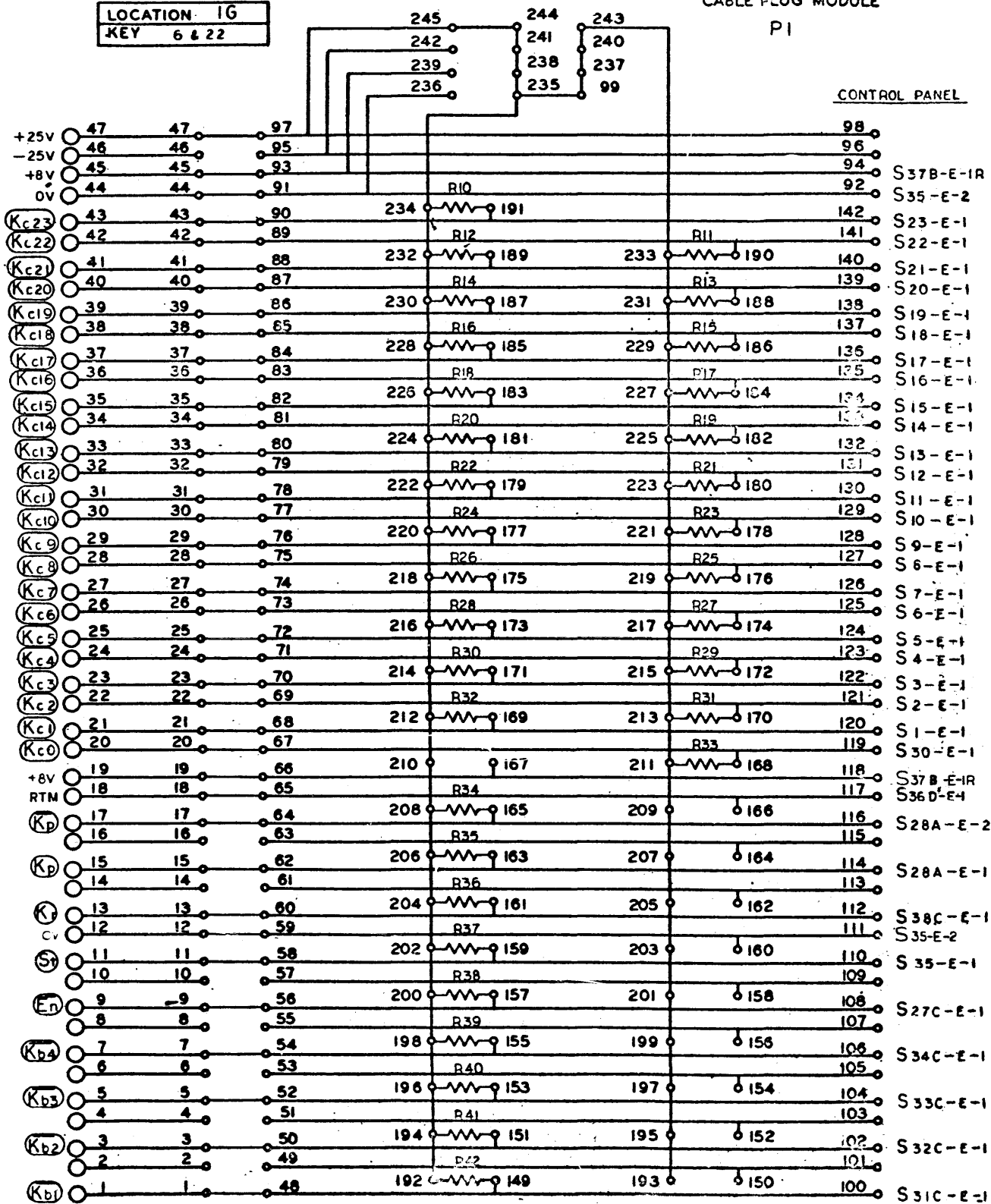
REVISIONS				101701
REV	DESCRIPTION	CHK	DATE	APPROVED
B	SEE REVISION E0			
C	SEE REV. E0			
D	SEE REV. E0.			
E	SEE REV. E.O.			
F	SEE REV. E.O.			
G	SEE REV. E.O.			
H	SEE REV. E.O.			
J	SEE REV. E.O.			
K	SEE REV. E.O.			
L	SEE REV. E.O.			
M	SEE REV. E.O.			
N	SEE REV. E.O.			
P	SEE REV. E.O.			

NO. REQ.	DRAWING NO.	DESCRIPTION	REFERENCE DESIGNATION	ITEM NO.
MATERIAL LIST				
NOTES UNLESS SPECIFIED		DRAWN	DATE	
1. TOLERANCES XX - .000 ANGLULAR SEE - .010		CHKD	DATE	
2. BREAK ALL SHARP EDGES DID APPROVE		APPR	DATE	
3. MACH SURFACES ✓				
4. ALL DIM IN INCHES				
MODEL NO. 920		TITLE		
NEXT ASSY		SDS SCIENTIFIC DATA SYSTEMS 1542 FIFTEENTH STREET SANTA MONICA, CALIFORNIA		
		DIAGRAM, LOGIC COMPUTER		
		SIZE	DWG. NO.	SHEET
		D	101701	B
		SCALE	DO NOT SCALE DRAWING	SHEET

LOCATION 1G  
KEY 6 & 22

CABLE PLUG MODULE  
PI

CONTROL PANEL



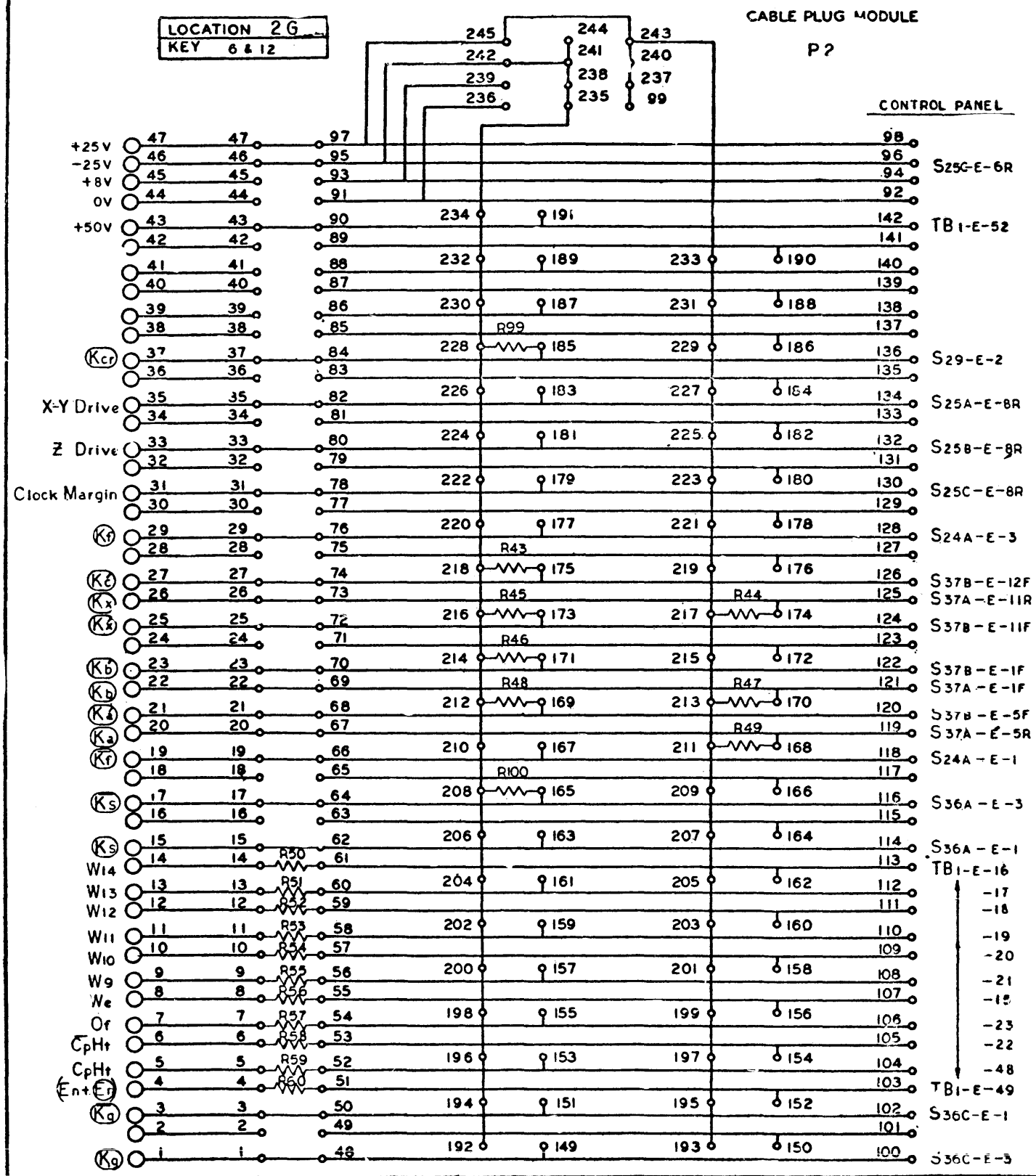
REFERENCE DESIGNATIONS  
ARE ABBREVIATED.  
PREFIX THE DESIGNATION  
WITH UNIT NUMBER  
OR ASSEMBLY DESIGNATION  
OR BOTH. (MIL. STD. 16B)

REVISIONS		11157
REV.	DESCRIPTION	DATE
D	SEE REV. E.D.	6/10/63
E	SEE REV. E.D.	6/10/63
F	SEE REV. E.D.	6/10/63

NO. REV.	DRAWING NO.	DESCRIPTION	REFERENCE DESIGNATION	FILE NO.
NOTES UNLESS SPECIFIED				
1. TOLERANCES UNLESS SPECIFIED		DRAWN DWH 4-25-63	SDS SCHEMATIC DATA SYSTEMS	
2. DIMENSIONS ARE IN INCHES		CHECK C. J. Bernick 6/10/63	1242 FIFTEENTH STREET, SANTA MONICA, CALIFORNIA	
3. DIMENSIONS ARE IN MILLIMETERS		APPR. J. W. J. 6/10/63	TITLE	
4. DIMENSIONS ARE IN MILLIMETERS			SCHEMATIC, CONTROL PANEL	
MODEL NO.			REV. NO.	
910, 920			D	101157
NEXT ASSY.				F
100946			SCALE	DO NOT SCALE DRAWING SHEET 1 OF 6

101157 F1

REVISIONS				101157	F
REV.	DESCRIPTION	CHKD.	DATE	APPROVLD.	
	SEE SHT. ONE				

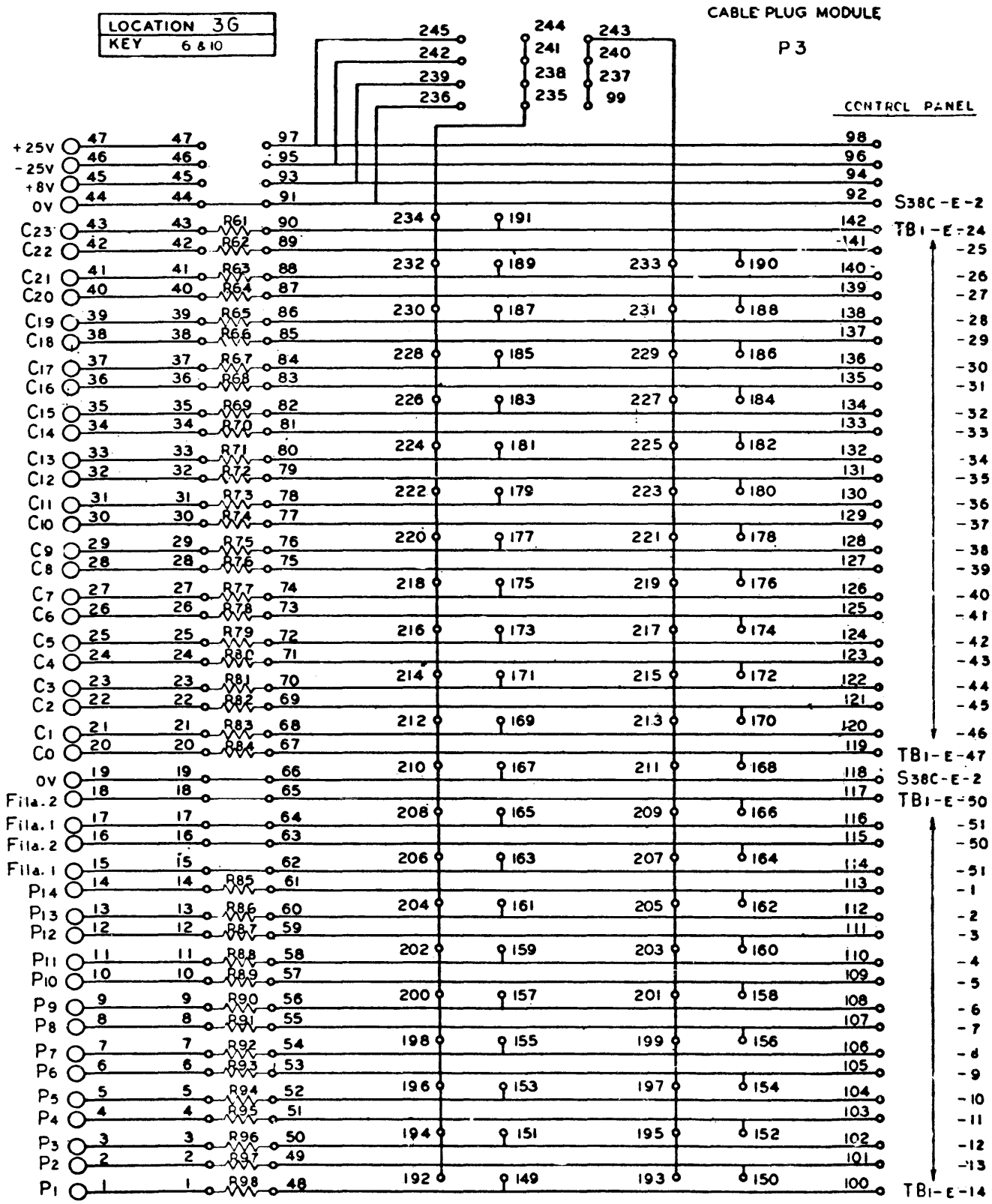


NO. REV.	DRAWING NO.	DESCRIPTION	REFERENCE DESIGNATION	ITEM NO.
NOTES UNLESS SPECIFIED				
1. TOLERANCES UNLESS SPECIFIED		DRAWN <i>D.H.</i>	MATERIAL LIST	
2. DIMENSIONS UNLESS SPECIFIED		CHECK <i>cf. [signature]</i>	SDS SCIENTIFIC DATA SYSTEMS	
3. MAKE ALL SHARP CORNERS AND SPACES		APPR. <i>[signature]</i>	1948 FIFTEENTH STREET, SANTA MONICA, CALIFORNIA	
4. MAKE SURFACES			TITLE	
5. ALL DIM. IN INCHES			SCHEMATIC, CONTROL PANEL	
MODEL NO.	910,920	SIZE	DWG. NO.	F
NEXT REV.	100946	SCALE	101157	
			DO NOT SCALE DRAWING	SHEET 2 OF 6

101157 (F)



REVISIONS				101157	F
REV	DESCRIPTION	CHK	DATE	APPROVED	
	SEE SHT ONE				



NO. REV.	DRAWING NO.	DESCRIPTION	REFERENCE DESIGNATION	FORM NO.
MATERIAL LIST				
NOTES UNLESS SPECIFIED		DRAWN	DATE	<b>SDS</b> DATA SYSTEMS 192 FIFTEENTH STREET SANTA MONICA CALIFORNIA
1. DIMENSIONS UNLESS SPECIFIED ALL ANGLES 30° UNLESS NOTED		CHECKED	DATE	
2. BREAK ALL SHARP EDGES AND APPROX.		APPROVED	DATE	SCHEMATIC, CONTROL PANEL
3. HATCH SURFACES 4. ALL DIM. IN INCHES				
MODEL NO.	910,920	SIZE	DWG. NO.	
NEXT ASSY.	100946	D	101157	F
		SCALE	DO NOT SCALE DRAWING	SHEET 3 OF 6

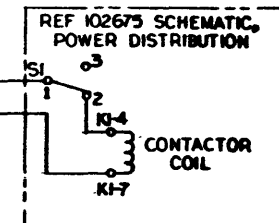
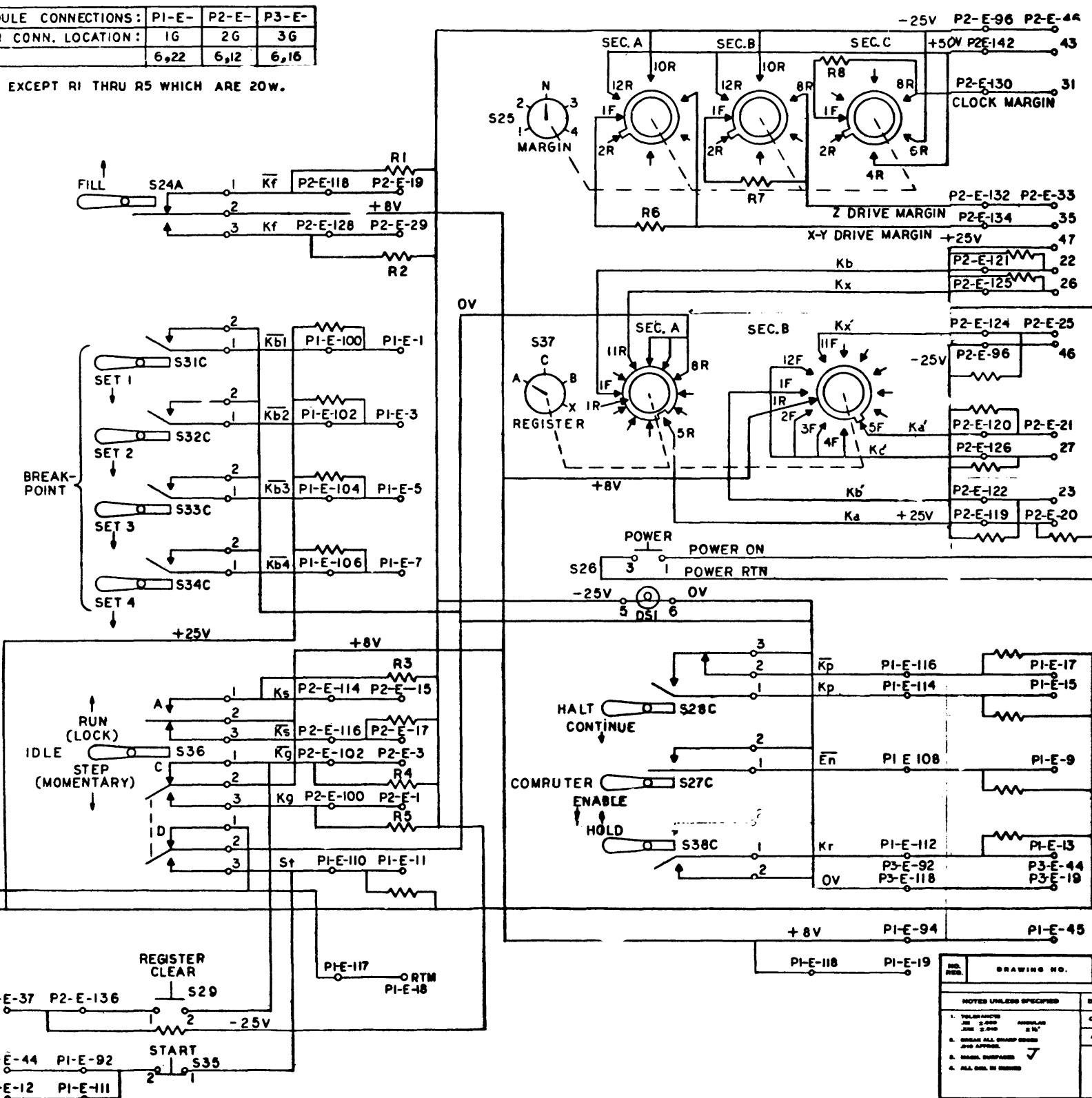
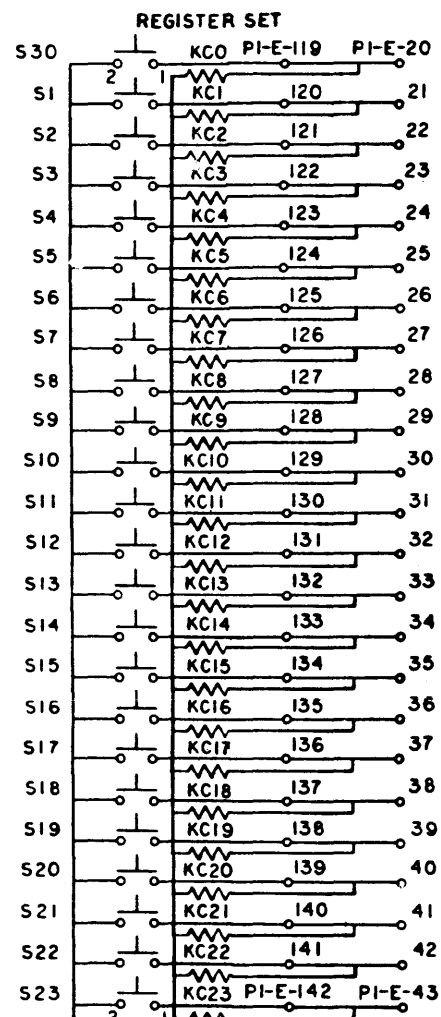
101157 F

NOTES:

1. CABLE PLUG MODULE CONNECTIONS:	PI-E-	P2-E-	P3-E-
TERMINATE AT COMPUTER CONN. LOCATION:	1G	2G	3G
KEY	6,22	6,12	6,16

2. ALL RESISTORS ARE 1/2W ± 2% EXCEPT R1 THRU R5 WHICH ARE 20W.

REV.	DESCRIPTION	CHK.	DATE	APPROVED
1	SEE SHEET 1			



REV.	DRAWING NO.	DESCRIPTION	REFERENCE DESIGNATION	ITEM NO.
MATERIAL LIST				
NOTES UNLESS SPECIFIED				
1. TELETYPE UNIT	2. JUMPS	3. DIMENSIONS	4. BREAK ALL SHARP CORNERS	5. DIMENSIONS
6. DIMENSIONS	7. DIMENSIONS	8. DIMENSIONS	9. DIMENSIONS	10. DIMENSIONS
MODEL NO. 910,920 NEXT ASSY. 100946				
DRAWN: KETH 8-17-62 CHECK: [Signature] APPR: [Signature]			TITLE: SCHEMATIC CONTROL PANEL SHEET: 4 OF 6	

101157-1F



REVISIONS				101157	F
REV	DESCRIPTION	CHK	DATE	APPROVED	
	SEE SH. ONE				

REPLACEMENT PARTS LIST

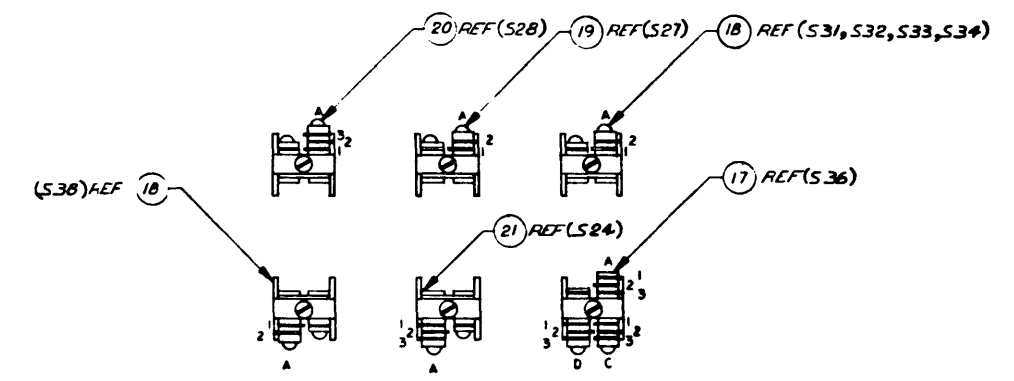
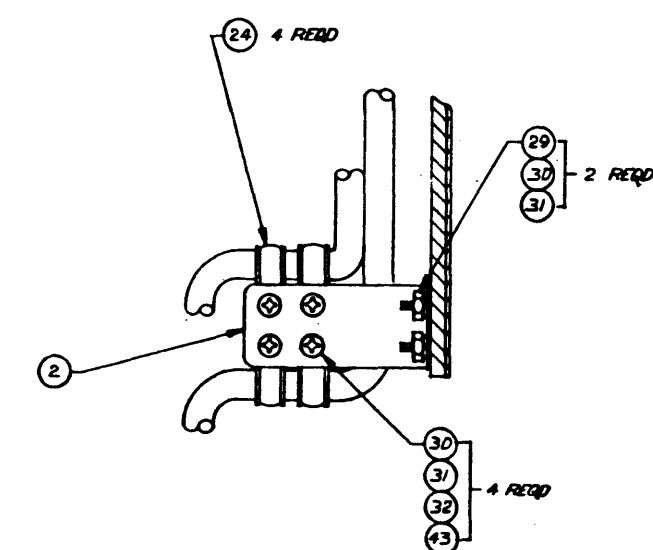
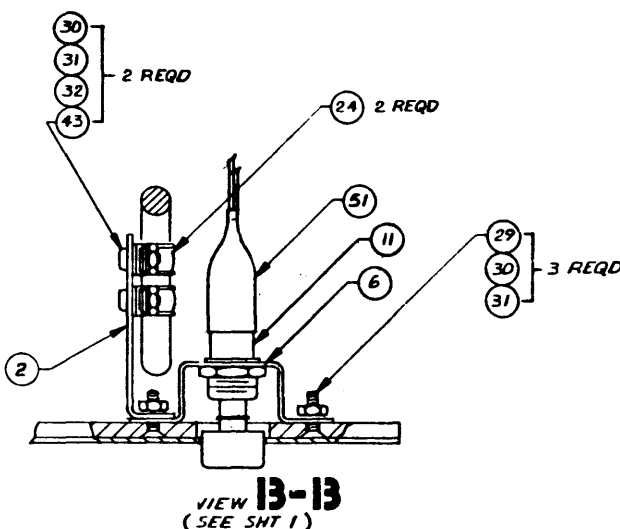
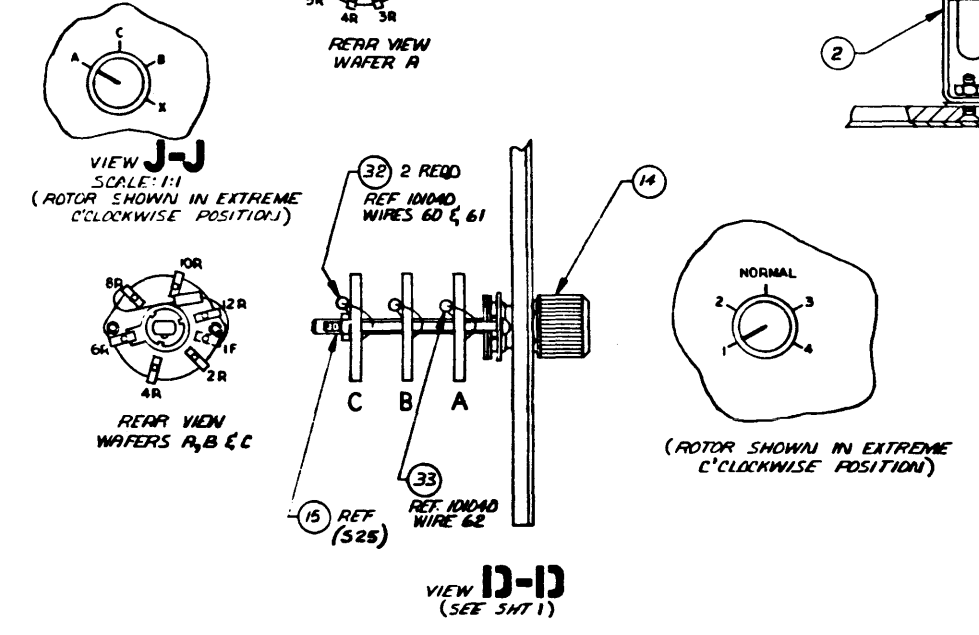
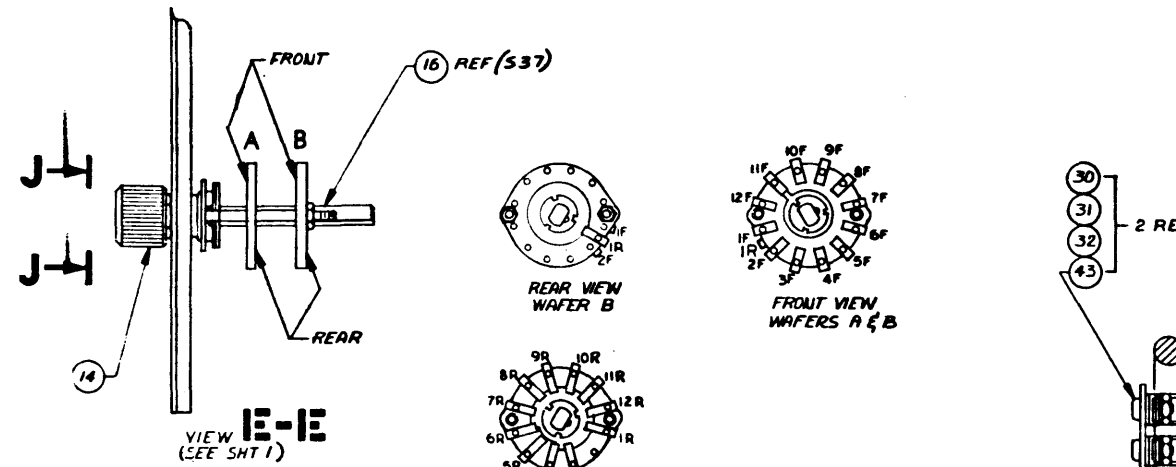
ITEM	DESCRIPTION	DESIGNATION	QTY	SUPPLIER CODE (SEE INDEX)
1	RESISTOR, W.W. 500Ω ± 5%	R1, R3	2	99, 100
2	↑ W.W. 250Ω ↓	R2	1	↑
3	W.W. 1 K ↓	R4	1	↓
4	W.W. 1.5 K ± 5%	R5	1	99, 100
5	27 K ± 2%	R6	1	16, 17
6	1 K ↑	R7, R8	2	↑
7	56 K ↓	(P1) R10 THRU R42 (P2) R44, R47, R49	36	↓
8	↓ 1.8 K ↓	(P2) R43, R45, R46, R48	4	↓
9	RESISTOR, 100 K ± 2%	(P2) R50 THRU R60 (P3) R61 THRU R98	49	16, 17
10	SWITCH, LEVER *101520	S24	1	SDS
11	↑ *101266 ↓	S27	1	↑
12	*100934	S28	1	↓
13	↓ *101521 ↓	S36	1	↓
14	SWITCH, LEVER *100933	S31 THRU S34, S38	5	↓
15	SWITCHLIGHT, P.B. *100051	S26	1	↓
16	SWITCH, ROTARY, 5 POS. *101038	S25	1	↓
17	↑ ROTARY, 4 POS. *101039 ↓	S37	1	SDS
18	↓ PUSH BUTTON N.C. *30-2NC ↓	S35	1	112
19	SWITCH, PUSH BUTTON NO. *30-15	S1 THRU S23, S29, S30	25	↑
20	BUTTON, MOLDED *30B102 (RED)	S29, S35	2	↓
21	BUTTON, MOLDED *30B102 (BLUE)	S1 THRU S23, S30	24	112
22	INDICATOR, TRIODE *6977	DS2 THRU DSS0	49	85, 96
23	RESISTOR, 3 K ± 2%	(P2) R99, R100	2	16, 17

101157 | F

NO.	DRAWING NO.	DESCRIPTION	REFERENCE DESIGNATION	ITEM NO.
MATERIAL LIST				
NOTES UNLESS SPECIFIED		DRAWN <i>Wiat</i>	DATE <i>4/1/63</i>	<b>SDS</b> SCIENTIFIC DATA SYSTEMS <small>1045 FIFTH STREET SANTA MONICA, CALIFORNIA</small>
1. TOLERANCES .000 1 IN. .001 2 IN. .002 3 IN. .005 4 IN. .010 5 IN. .020 6 IN. .050 7 IN. .100 8 IN. .150 9 IN. .200 10 IN. .300 11 IN. .400 12 IN. .500 13 IN. .750 14 IN. 1.000 15 IN. 1.500 16 IN. 2.000 17 IN. 3.000 18 IN. 4.000 19 IN. 5.000 20 IN. 7.500 21 IN. 10.000 22 IN. 15.000 23 IN. 20.000 24 IN. 30.000 25 IN. 40.000 26 IN. 50.000 27 IN. 75.000 28 IN. 100.000 29 IN. 150.000 30 IN. 200.000 31 IN. 300.000 32 IN. 400.000 33 IN. 500.000 34 IN. 750.000 35 IN. 1000.000 36 IN. 1500.000 37 IN. 2000.000 38 IN. 3000.000 39 IN. 4000.000 40 IN. 5000.000 41 IN. 7500.000 42 IN. 10000.000 43 IN. 15000.000 44 IN. 20000.000 45 IN. 30000.000 46 IN. 40000.000 47 IN. 50000.000 48 IN. 75000.000 49 IN. 100000.000 50 IN.		CHECK <i>C. P. Smith</i>	DATE <i>6/26/63</i>	
		APPR. <i>J. J. White</i>	DATE <i>6/26/63</i>	TITLE
				SCHEMATIC, CONTROL PANEL
MODEL NO.	910, 920	REV.	D	DWG. NO. 101157
NEXT ASSY.	100946			F
SCALE		DO NOT SCALE DRAWING		SHEET 6 OF 6



REVISIONS				100946	L
REV.	DESCRIPTION	CHK.	DATE	APPROVED	
	SEE SHT ONE				



REV.	DRAWING NO.	DESCRIPTION	REFERENCE DESIGNATION	ITEM NO.
		MATERIAL LIST		
		NOTED UNLESS SPECIFIED		
		1. TOLERANCES UNLESS SPECIFIED		
		2. DIMENSIONS ARE IN INCHES		
		3. UNLESS OTHERWISE SPECIFIED		
		4. ALL DIM. IN INCHES		
		DRAWN: <i>A. H.</i>		
		CHECK: <i>C. B.</i>		
		APPROVED: <i>[Signature]</i>		
		DATE: <i>10/2/60</i>		
		SCALE: <i>1/8" = 1"</i>		
		MODEL NO. <i>510/520</i>		
		NEXT ASSY. <i>100943</i>		
		100949		
		DO NOT SCALE DRAWING		
		SHEET 2		
		100946		
		ASSY, CONTROL PANEL		
		SDS		
		1000 PETERSON STREET, SANTA MONICA, CALIFORNIA		
		100946		
		L.		

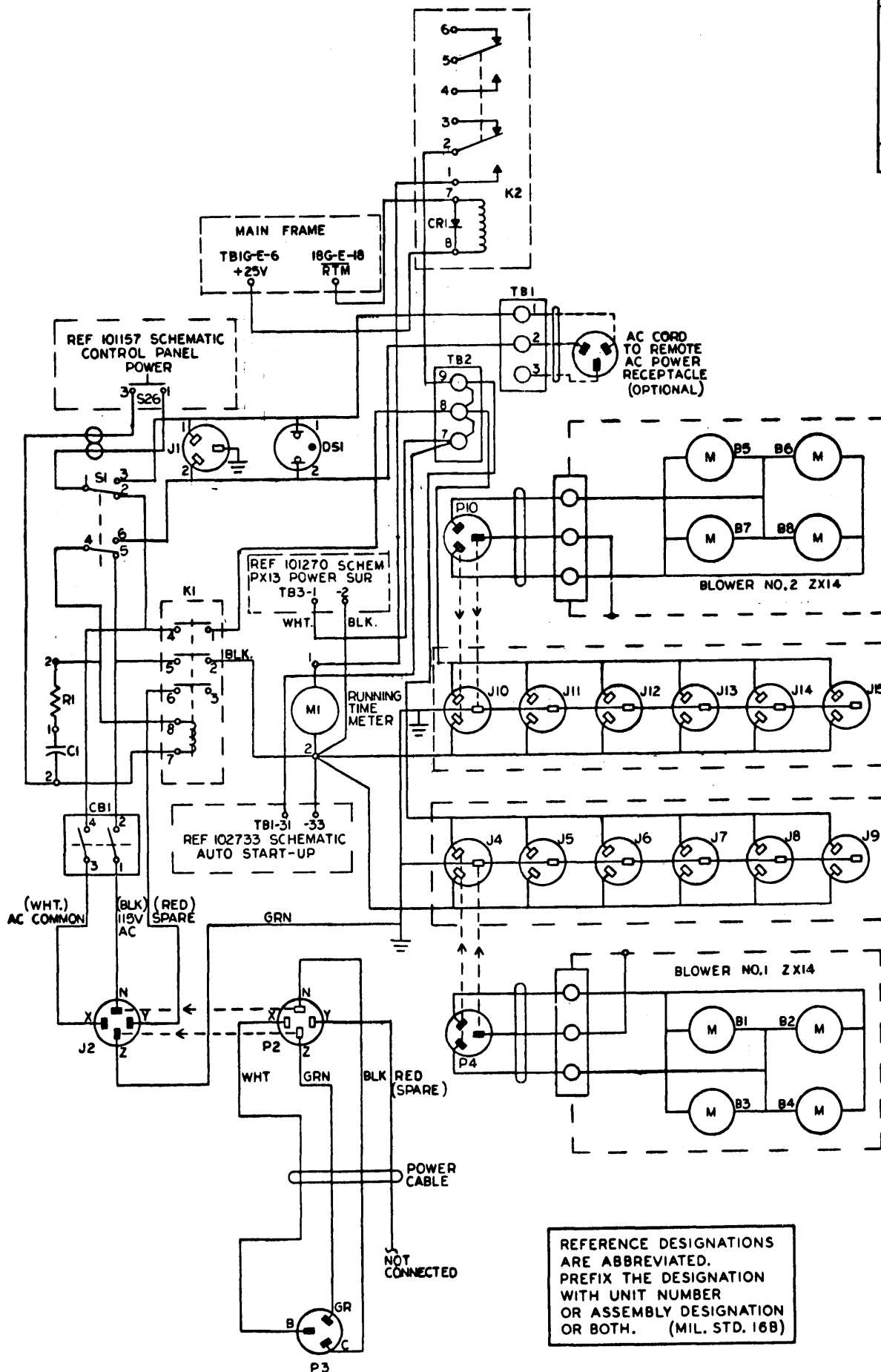
100946 L

REV	L	MATERIAL LIST	SDS	SCIENTIFIC DATA SYSTEMS	ML	DWG. NO.	REV
		DWG. TITLE				100946	L
		ASSY, CONTROL PANEL	MOD # 910/920	DATE 7/1/68		SHEET 3	OF 4
DWG. NO.	100946	ITEM	DWG. TITLE	DWG. NO.	NO. REQ.	REMARKS OR CKT. DESIG.	
ML		1	Assy, Indicator Board	100945	1		
		2	Angle, Cable Clamp Mtg	100944	2		
		3	Panel, Overlay Comp. Cont.	100052	1		
		4	Panel, Sub Comp. Cont.	100056	1		
		5	Angle, Switch Mtg.	105185	1		
		6	Bracket, Switch Mtg.	100058	1		
		7	Assy, Cable Plug Module	100968	1	P1	
		8	Assy, Cable Plug Module	100969	1	P2	
		9	Assy, Cable Plug Module	100970	1	P3	
		10	Switch, Pushbutton	101255-001	1	S35,	
		11	Switchlight P. B. Spec. Cont.	100051	1	S26	
		12	<del>Switch, Pushbutton</del>	<del>100074-001</del>	<del>2</del>	<del>S35, S29</del>	
		13	Switch, Push-button	101804-002	24	S1 thru S23, S30,	
		14	Knob, Knurled	100059	2	S25, S37	
		15	Switch, Rotary 5 Pos.	101038	1	S25	
		16	Switch, Rotary 4 Pos.	101039	1	S37	
		17	Switch, Lever	101521	1	S36	
		18	Switch, Lever Form A Lock	100933	5	S 31, 32, 33, 34, 38	
		19	Switch, Lever, Form A Lock <sup>Non</sup>	101266	1	S27	
		20	Switch, Lever form D <sup>LOCK</sup>	100934	1	S28	
		21	Switch, Lever, Form C <sup>Non</sup> Lock	101520	1	S24	
		22	Switch, Pushbutton	101804-001	1	S29	
		23	Nut, Ring	100114	26		
		24	Clamp, Cable Nylon	100657-005	6		
		25	Standoff, Threaded Rivet	101666-402	6		
		26	Wire, Solid Bare	100042-024	50 Ft		
		27	Tubing, Teflon	100274-022	50 Ft		
		28	Screw, Pan Hd Rec. Phillip	100012-306	2		
		29	Screw, Fl. Hd. Phil. (100%)	100039-308	5		
		30	Nut, Hex Machine	100008-300	11		
		31	Washer, Lock Int. Tooth	100024-300	13		
		32	Washer, Flat	100018-300	8		
		33	Resistor, 1/2 watt	100111-152	2	Ref. Wire List	
		34	Resistor, 1/2 watt	100111-273	1	Ref. Wire List	
		35	List, Wire, Cont. Panel	101040	x	Ref.	
		36	List, Wire (Cable Plug Mod)	101041	x	Ref. P1	
		37	List, Wire, Cable Plug Mod.	101042	x	Ref. P2	
		38	List, Wire, Cable Plug Mod.	101043	x	Ref. P3	





REVISIONS		102675 E	
REV	DESCRIPTION	CHK	DATE
B	SEE REV E.O.	WLB	1/24/63
C	SEE REV E.O.	WLB	2/1/63
D	SEE REV E.O.	WLB	2/1/63
E	SEE REV E.O.	WLB	2/1/63



REFERENCE DESIGNATIONS ARE ABBREVIATED. PREFIX THE DESIGNATION WITH UNIT NUMBER OR ASSEMBLY DESIGNATION OR BOTH. (MIL. STD. 168)

DRAWING NO.		DESCRIPTION		REFERENCE DESIGNATION	
102246		102286-101087		E	
MODEL NO. 9112, 9113, 9212		MATERIAL LIST		S/D S	
PART NAME		DRAWN		CHECKED	
102286-101087		WLB		WLB	
		DATE		DATE	
		1/24/63		1/24/63	
		APPR.		APPR.	
		WLB		WLB	
		TITLE		TITLE	
		SCHEMATIC, POWER DISTRIBUTION		SCHEMATIC, POWER DISTRIBUTION	
		SCALE		SCALE	
		D		D	
		102675		102675	
		SHEET 1 OF 2		SHEET 1 OF 2	

REVISIONS				102675	E
REV.	DESCRIPTION	CHK	DATE	APPROVED	
	SEE SH1 1				

REPLACEMENT PARTS LIST

ITEM	DESCRIPTION	DESIGNATION	QTY	SUPPLIER CODE (SEE INDEX)
1	CORD, A.C. #16/3 SPT-3 CORD WITH #PA-3 PLUG	P1	1 (OR NONE)	101
2	CONNECTOR, 5 WIRE FEMALE #3523	P2	1	102
3	CONNECTOR, 3 WIRE MALE #3331	P3	1	102
4	CORD, A.C. #16/3 SPT-3 CORD WITH #PA-3 PLUG	P4 (PIO)	1 (OR 2)	101
5	RECEPTACLE, 3 WIRE FEMALE #5256	J1	1	102
6	CONNECTOR, 5 WIRE MALE #3524	J2	1	102
7	WIREMOLD, A.C. #G-20GB306	J4 THRU J9 (J10 THRU J15)	1 (OR 2)	103
8	LAMP, NEON #249-784H-1437	DS1	1	104
9	CONTACTOR, 30 AMP, 600 VAC #702 BAD 92 SERIES K	K1	1	107
10	CIRCUIT BREAKER, DOUBLE POLE #2XAM1516-35-250 VAC 60 CYCLE CURVE 2	CB1	1	105
11	SWITCH, TOGGLE DPDT	S1	1	106
12	RESISTOR, W.W. 10Ω ± 5%	R1	1	99, 100
13	CAPACITOR, OIL .25μf ± 20%, 1000V	C1	1	80, 81
14	METER, TIME #50-236402AAAA1 120 V, 60 CYCLES	M1	1	108
15	RELAY DPDT D05X-7T 80-6A/115VAC	K2	1	78 79
16	DIODE, 1N3189	CRI	1	2, 6, 30, 68

102675 | E

NO. REV.	DRAWING NO.	DESCRIPTION	REFERENCE DESIGNATION	ITEM NO.
MATERIAL LIST				
NOTES UNLESS SPECIFIED		DRAWN <i>Wint</i> 5/18/63	<b>SDS</b> IDENTIFYING DATA SYSTEMS 1545 FIFTEENTH STREET SANTA MONICA, CALIFORNIA	
1. TOLERANCES UNLESS SPECIFIED		CHECK <i>C. Bruch</i> 5/20/63		
2. BREAK ALL SHARP EDGES 3/16 APPROVE		APPR. <i>J. Lewis</i> 5/1/63		
3. HATCH SHOWN ✓			SCHEMATIC, POWER DISTRIBUTION	
4. ALL DIM. IN INCHES				
MODEL NO. 9112, 9113, 9212			REV. D	DWG NO. 102675
NEXT ASSY. 102246, 102286, 101087				E
SCALE			DO NOT SCALE DRAWING	SHEET 2 OF 2