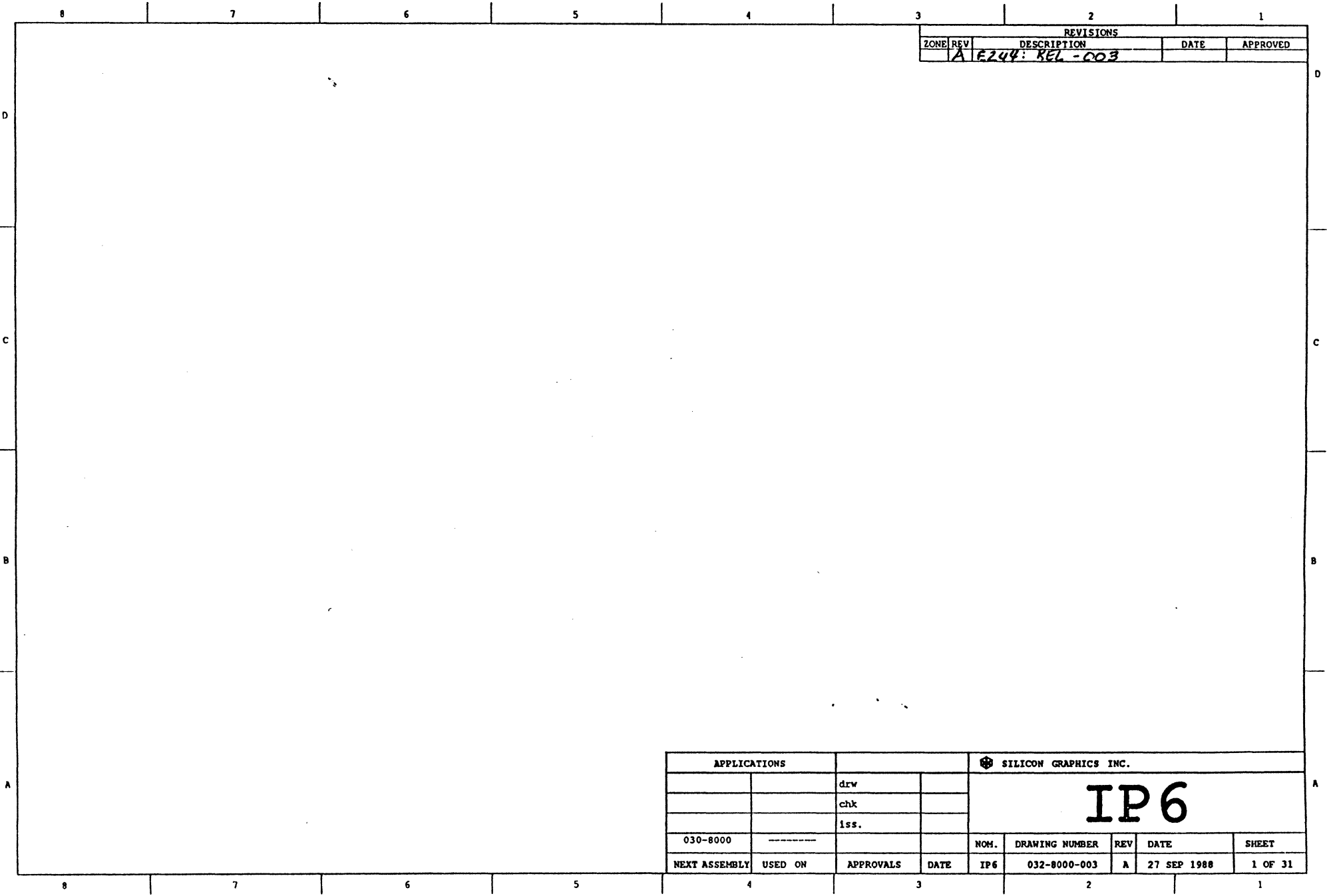


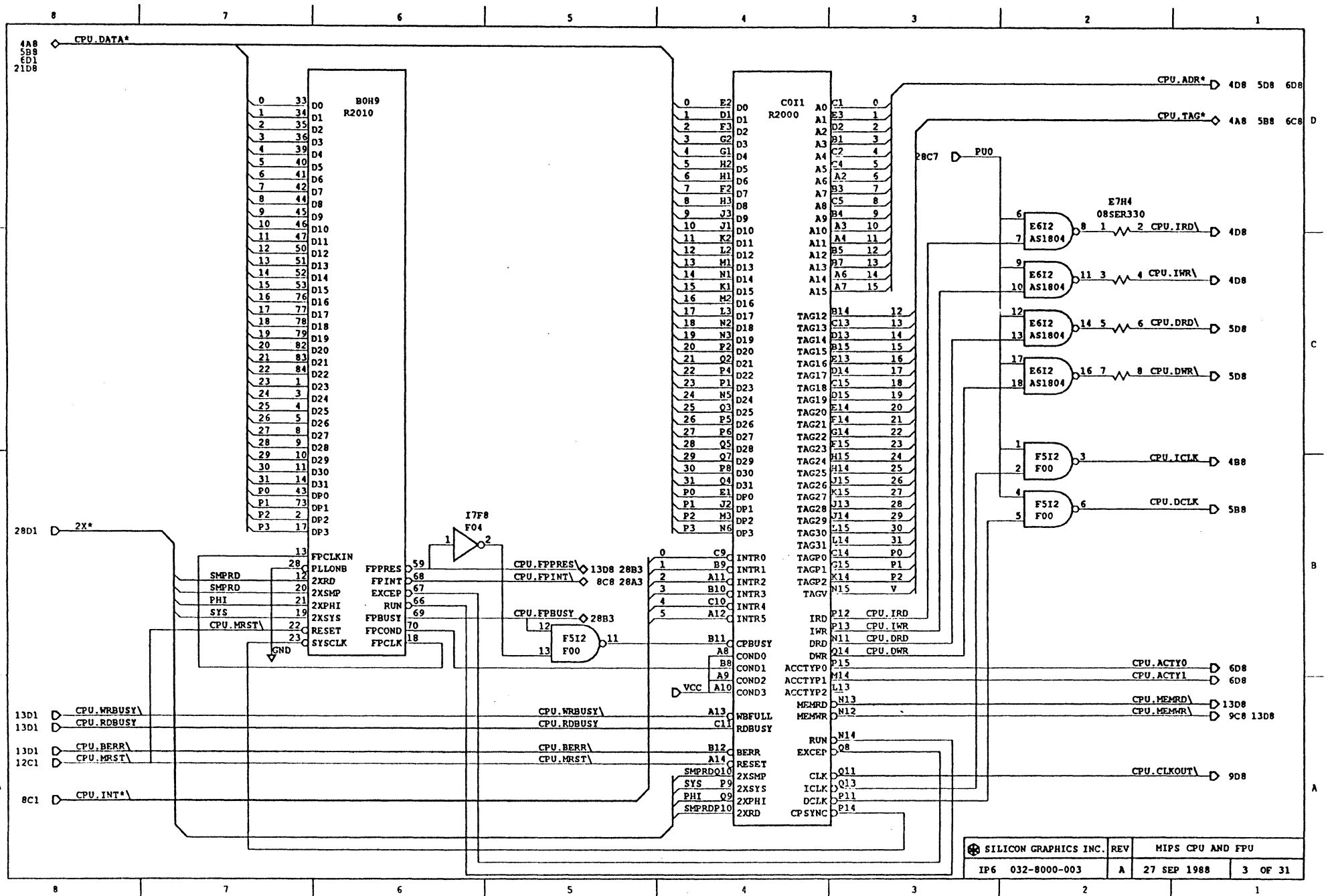
REVISIONS				
ZONE	REV	DESCRIPTION	DATE	APPROVED
A		E244: REL-003		

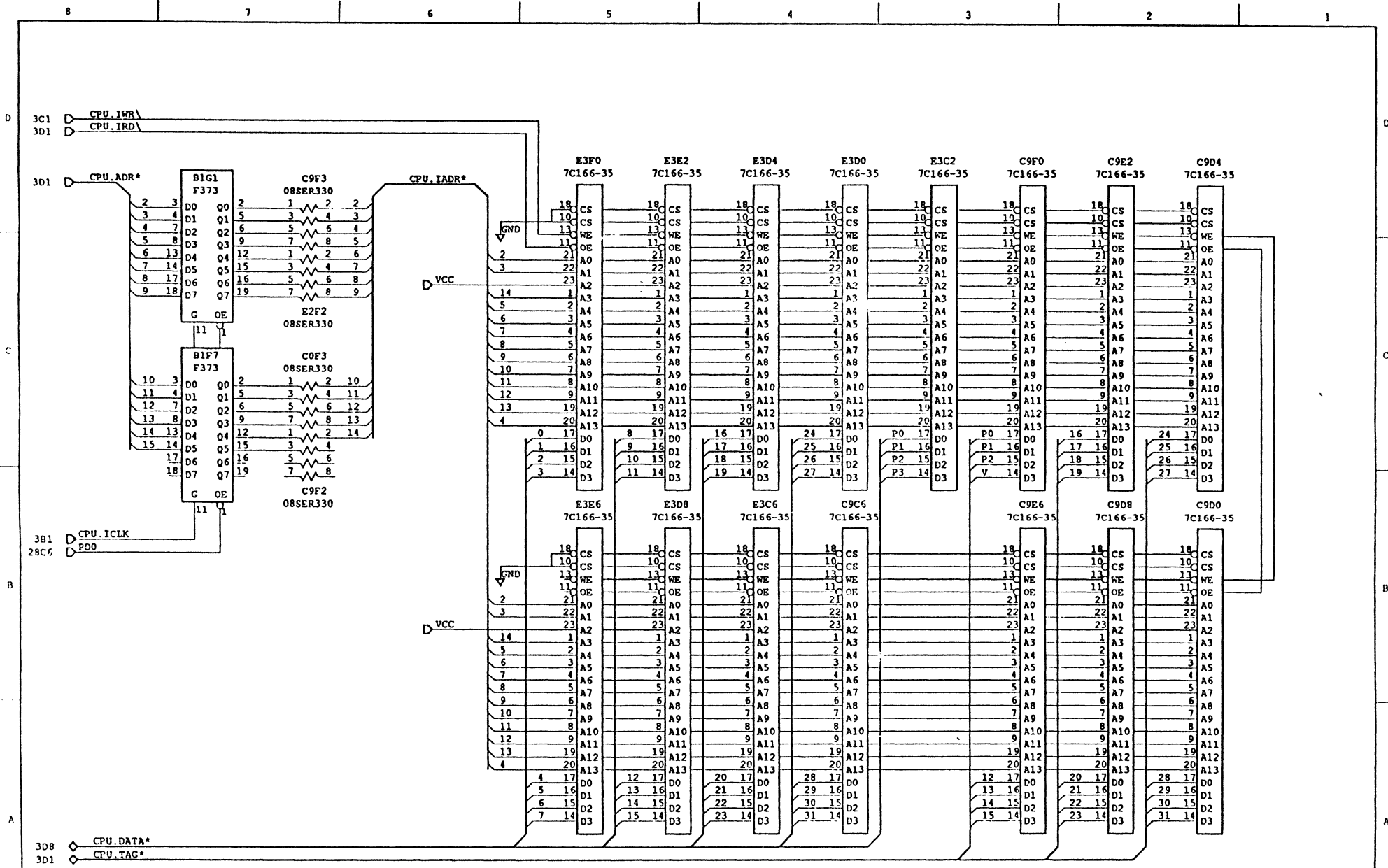
APPLICATIONS				SILICON GRAPHICS INC.				
		drw		<h1>IP6</h1>				
		chk						
		iss.						
030-8000	-----			NOM.	DRAWING NUMBER	REV	DATE	SHEET
NEXT ASSEMBLY	USED ON	APPROVALS	DATE	IP6	032-8000-003	A	27 SEP 1988	1 OF 31

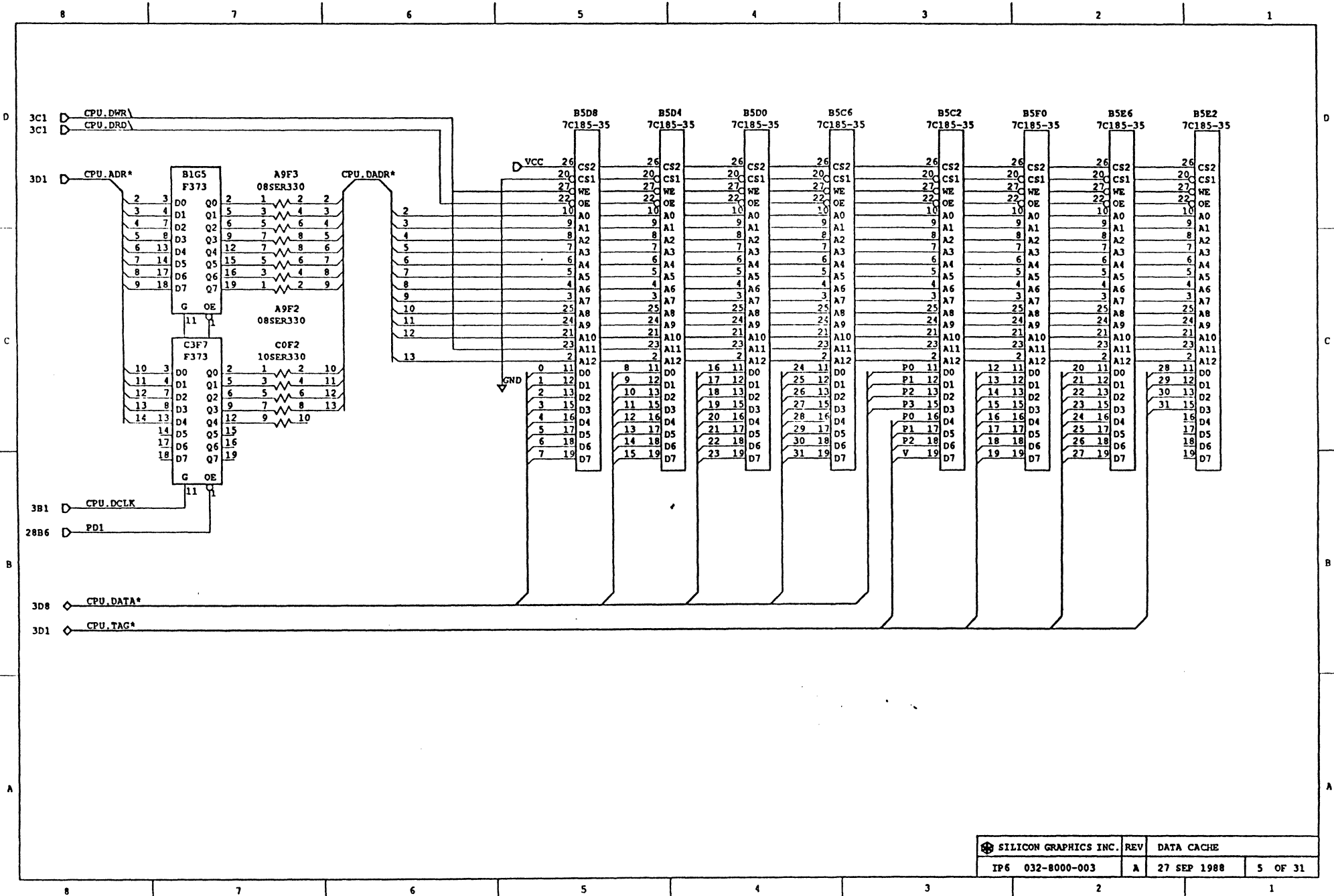


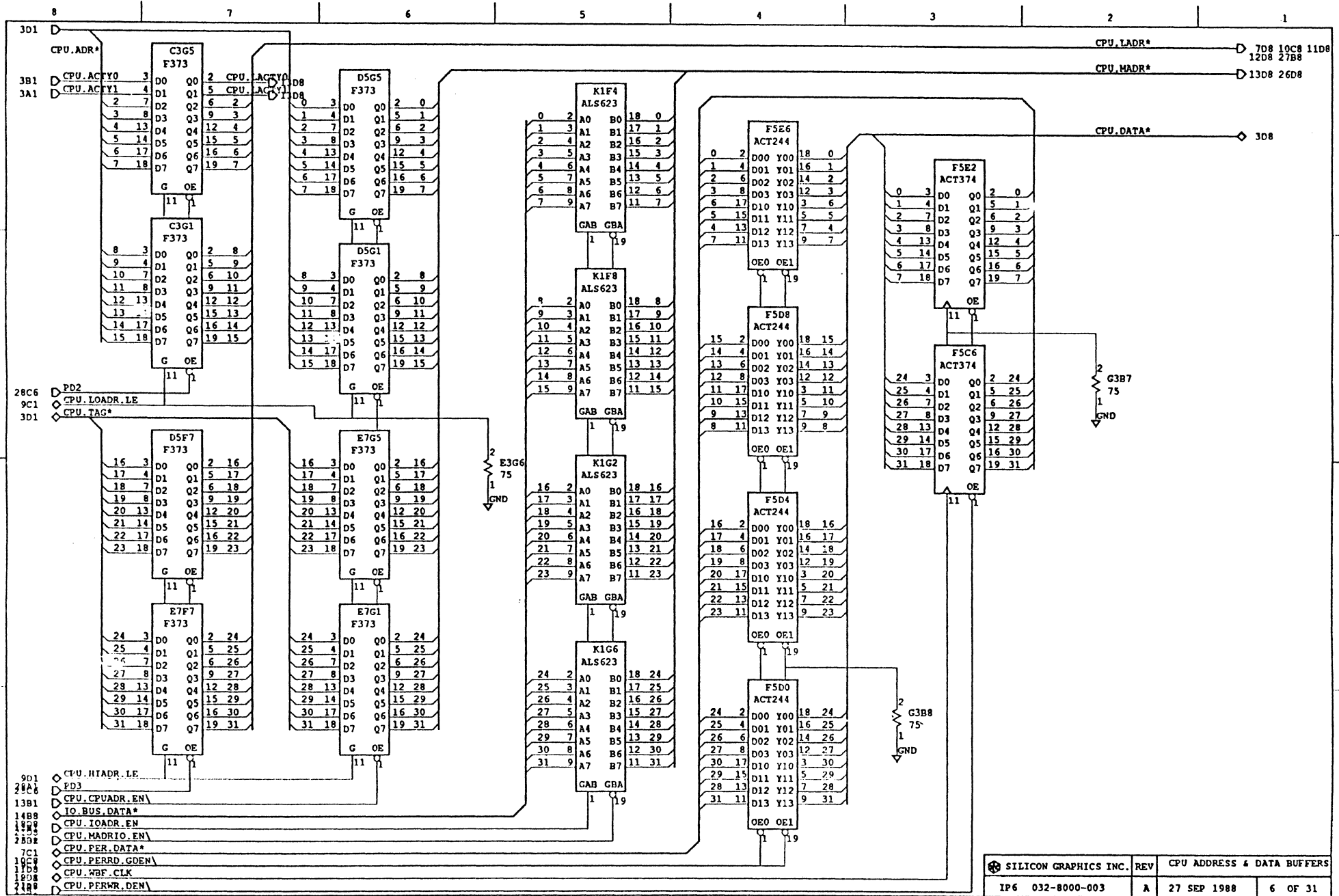
PAGE # DESCRIPTION

03	CPU AND FPU
04	INSTRUCTION CACHE
05	DATA CACHE
06	CPU ADDRESS AND DATA BUFFERS
07	BOOT PROM, LED REGISTER, ADDRESS DECODE
08	CPU INTERRUPTS
09	CPU BUFFER ENABLES
10	DUART0: KEYBOARD AND MOUSE
11	DUART1: PORTS 1 AND 2
12	TIMER AND RTC
13	CTLL GATE ARRAY
14	IOCI GATE ARRAY AND MAP
15	ETHERNET, SCSI AND PRINTER
16	AUDIO I/O
17	GRAPHICS I/F AND I/O CLOCKS
18	GRAPHICS BUFFERS AND PORT
19	RAS DECODE AND WE BUFFERS
20	RAS, CAS AND ADDRESS BUFFERS
21	DATA BUFFERS, WRITE ENABLES, PARITY GENERATION AND CHECK
22	MEMORY BANK 0
23	MEMORY BANK 1
24	MEMORY BANK 2
25	MEMORY BANK 3
26	VME DATAPATH
27	INTERRUPT CONTROLLER
28	CLOCKS, PUPS AND PUDS
29	EB1 AND SP2 CONNECTORS
30	SERIAL, POWER, ETHERNET, SCSI AND PRINTER CONNECTORS
31	VME BUS TERMINATIONS

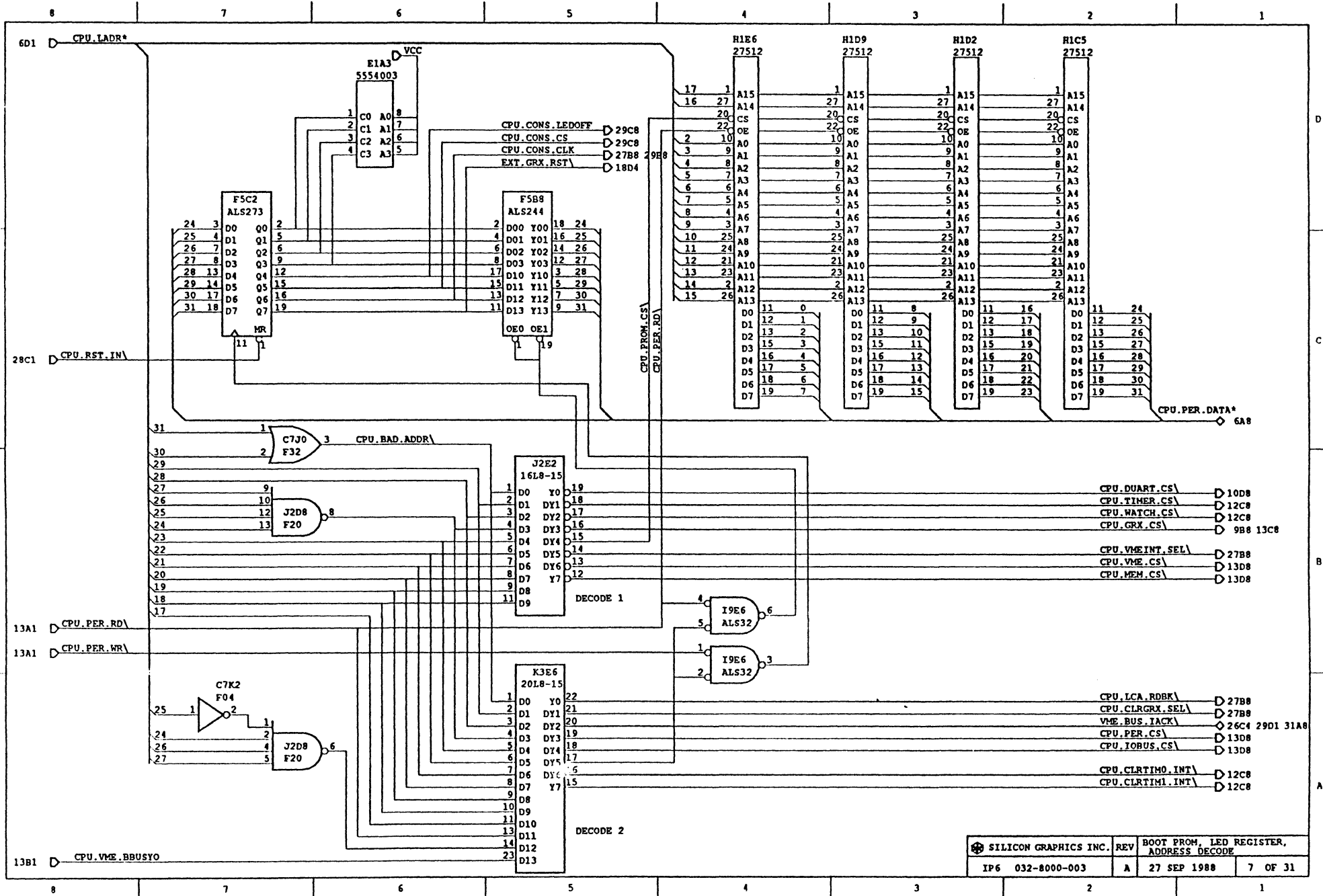


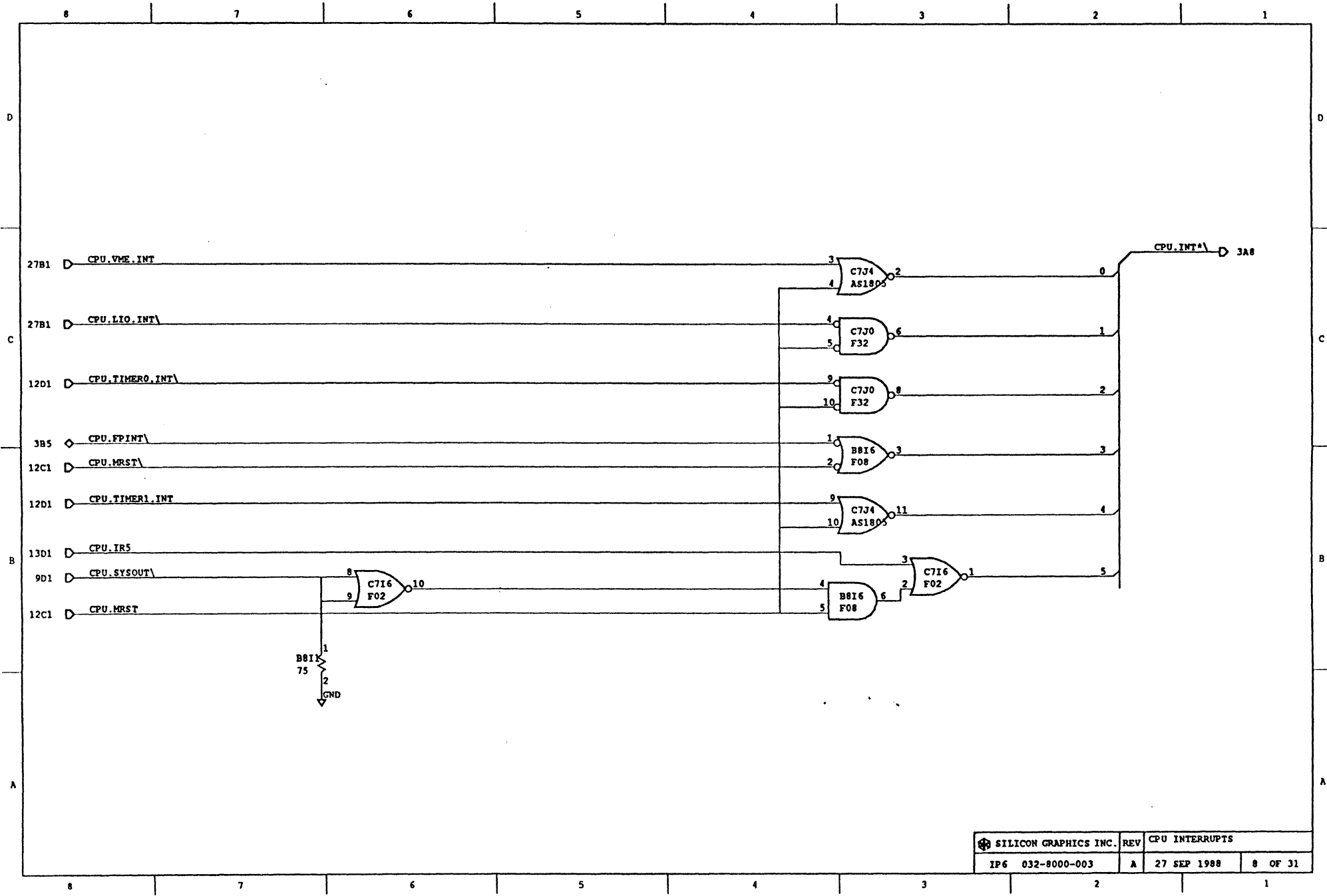




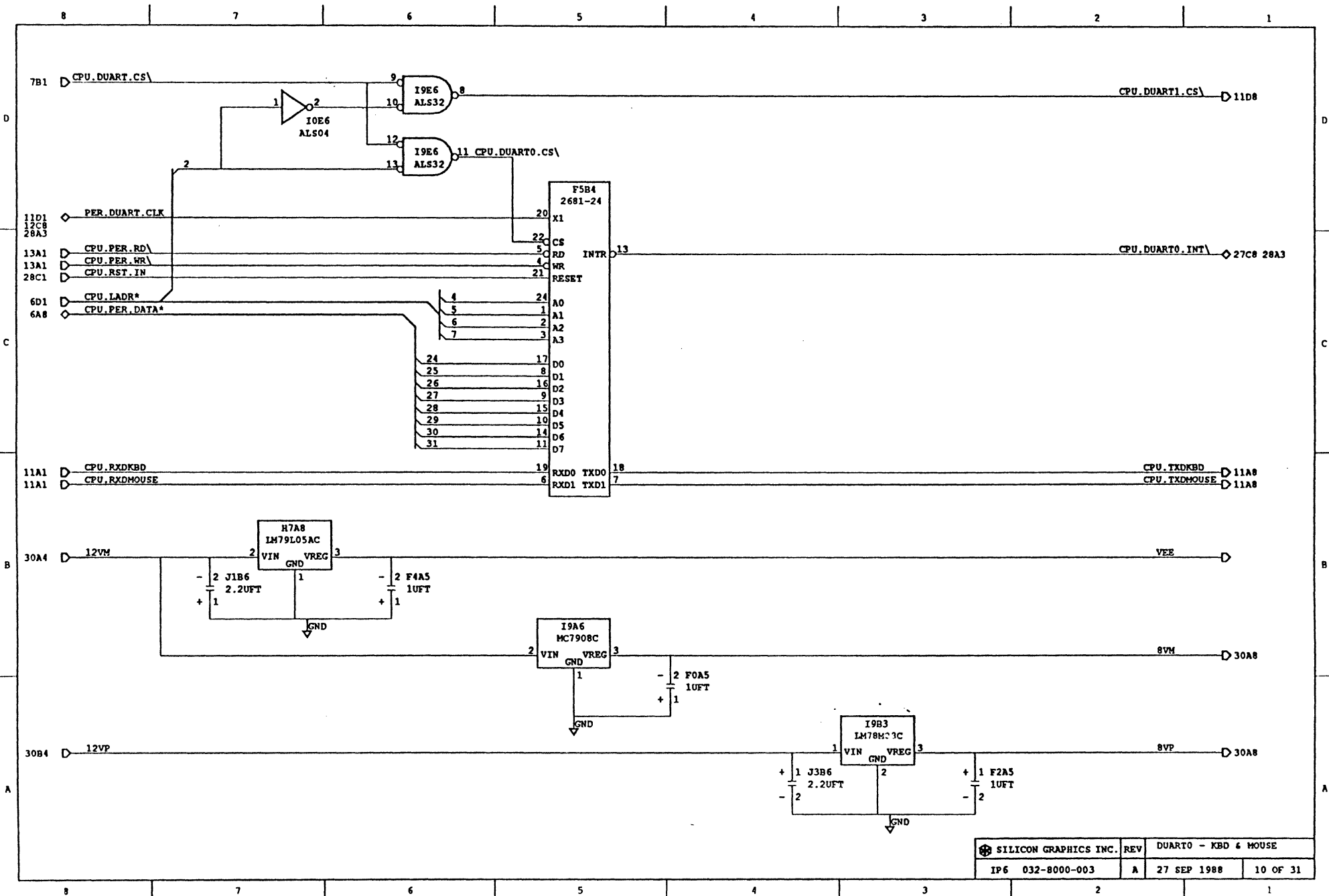


- 901 CPU.HIADR.LE
- 28C6 PD3
- 13B1 CPU.CPUADR.EN
- 14B8 IO.BUS.DATA*
- 15B8 CPU.ICADR.EN
- 28B2 CPU.MADRIO.EN
- 7C1 CPU.PER.DATA*
- 10C9 CPU.PERRD.GOEN
- 17B3 CPU.WBF.CLK
- 21B8 CPU.PERWR.DEN

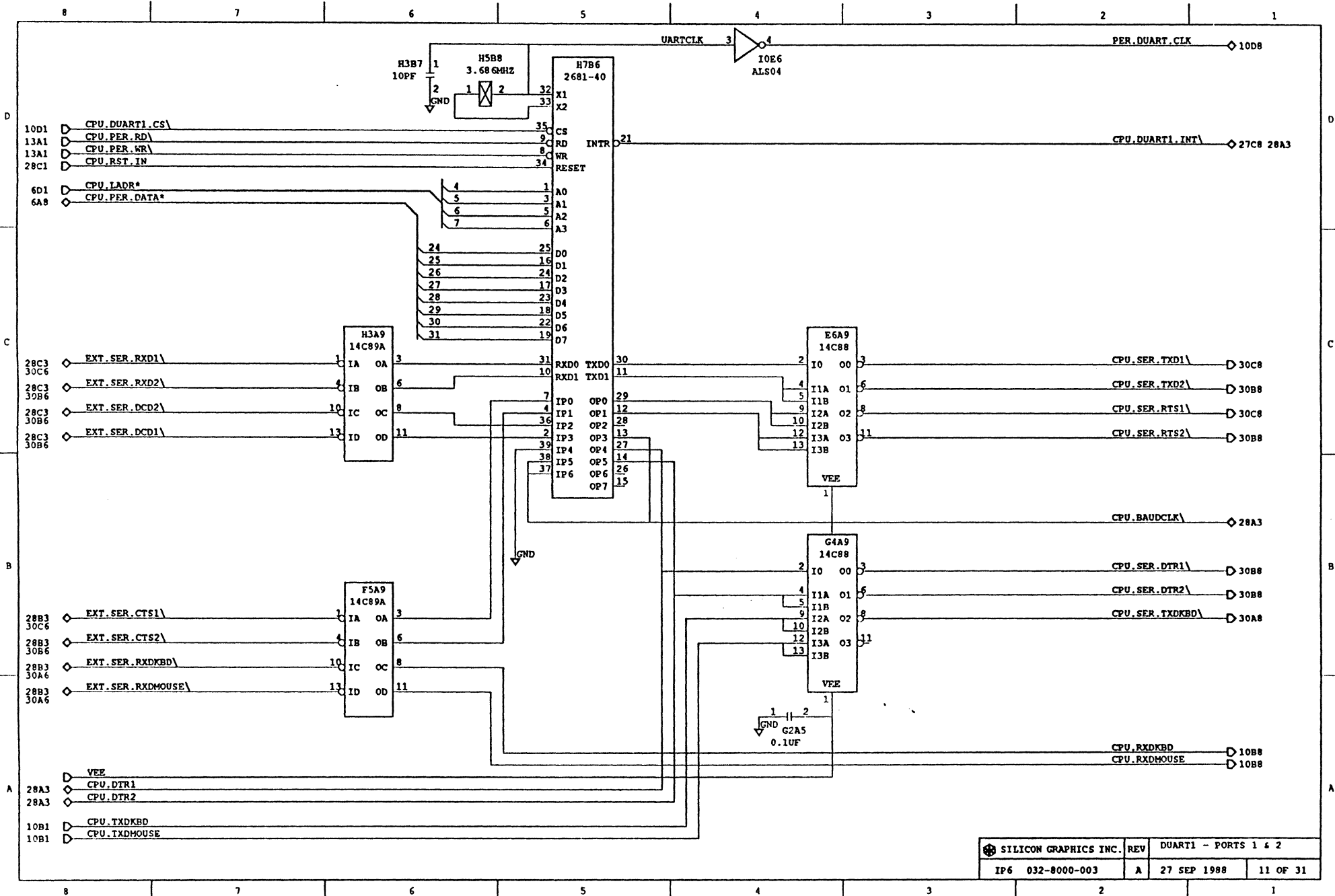




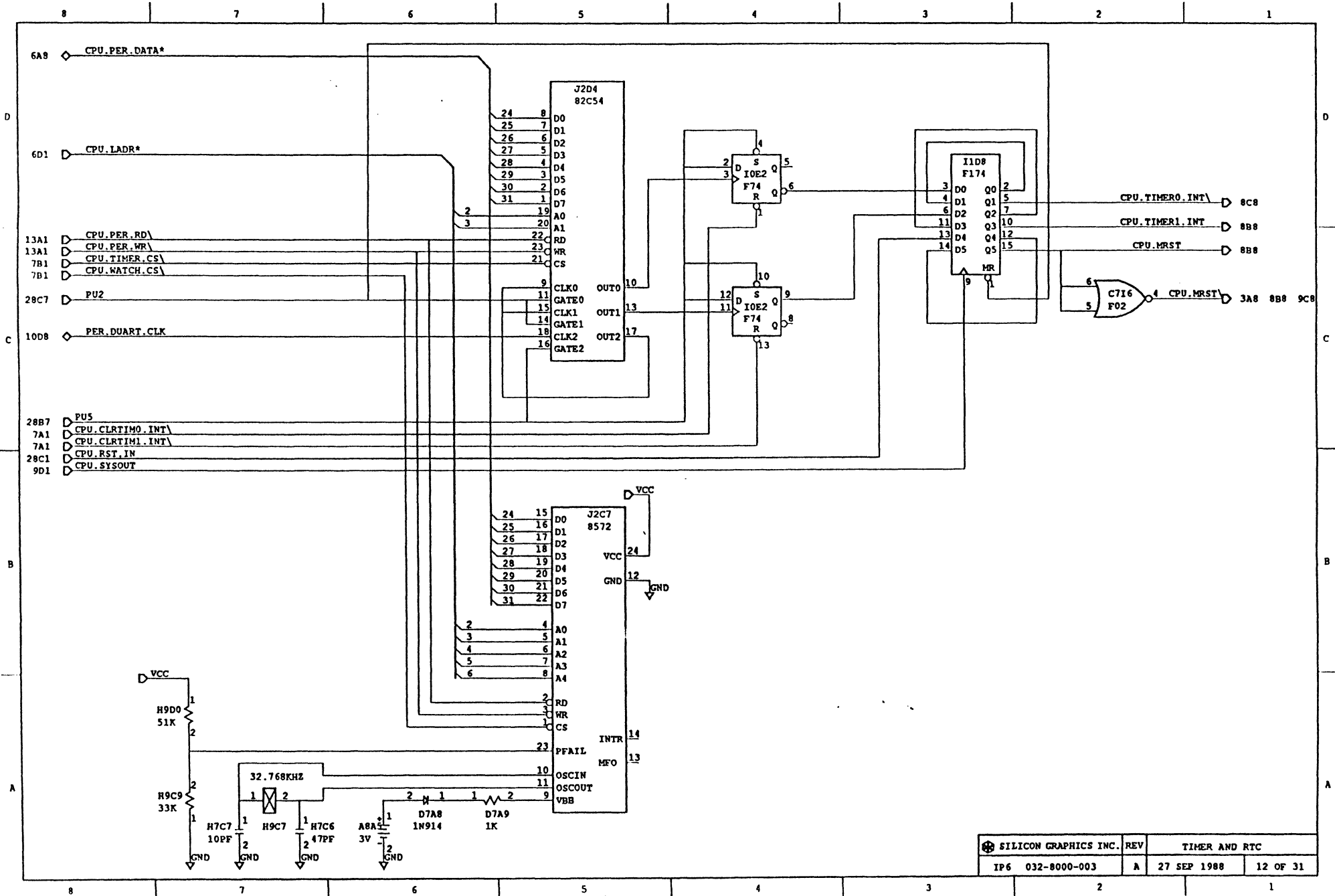
SILICON GRAPHICS INC.	REV	CPU INTERRUPTS	
IP6 032-8000-003	A	27 SEP 1988	8 OF 31



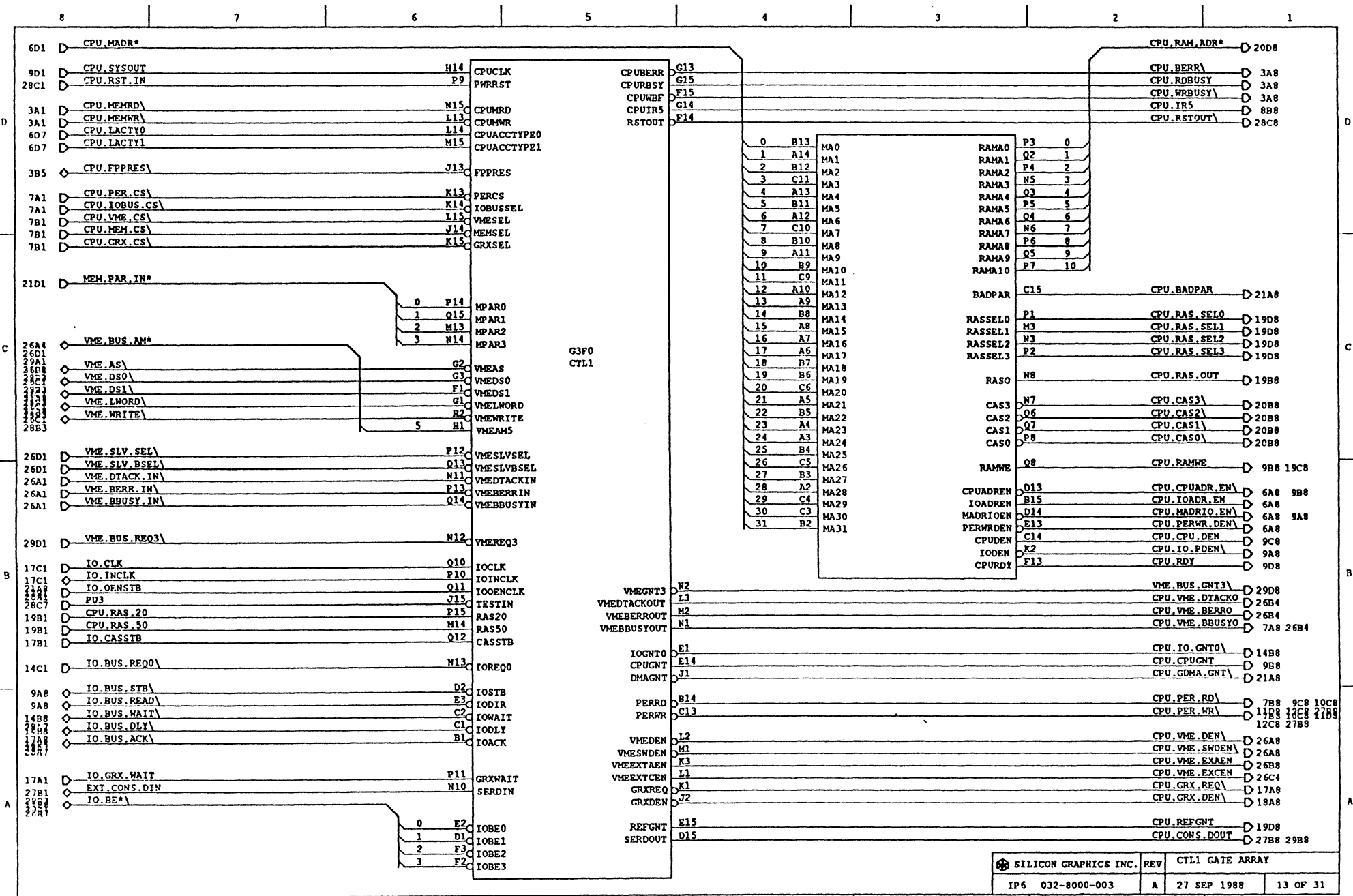
SILICON GRAPHICS INC.	REV	DUART0 - KBD & MOUSE	
	IP6 032-8000-003	A	27 SEP 1988 10 OF 31

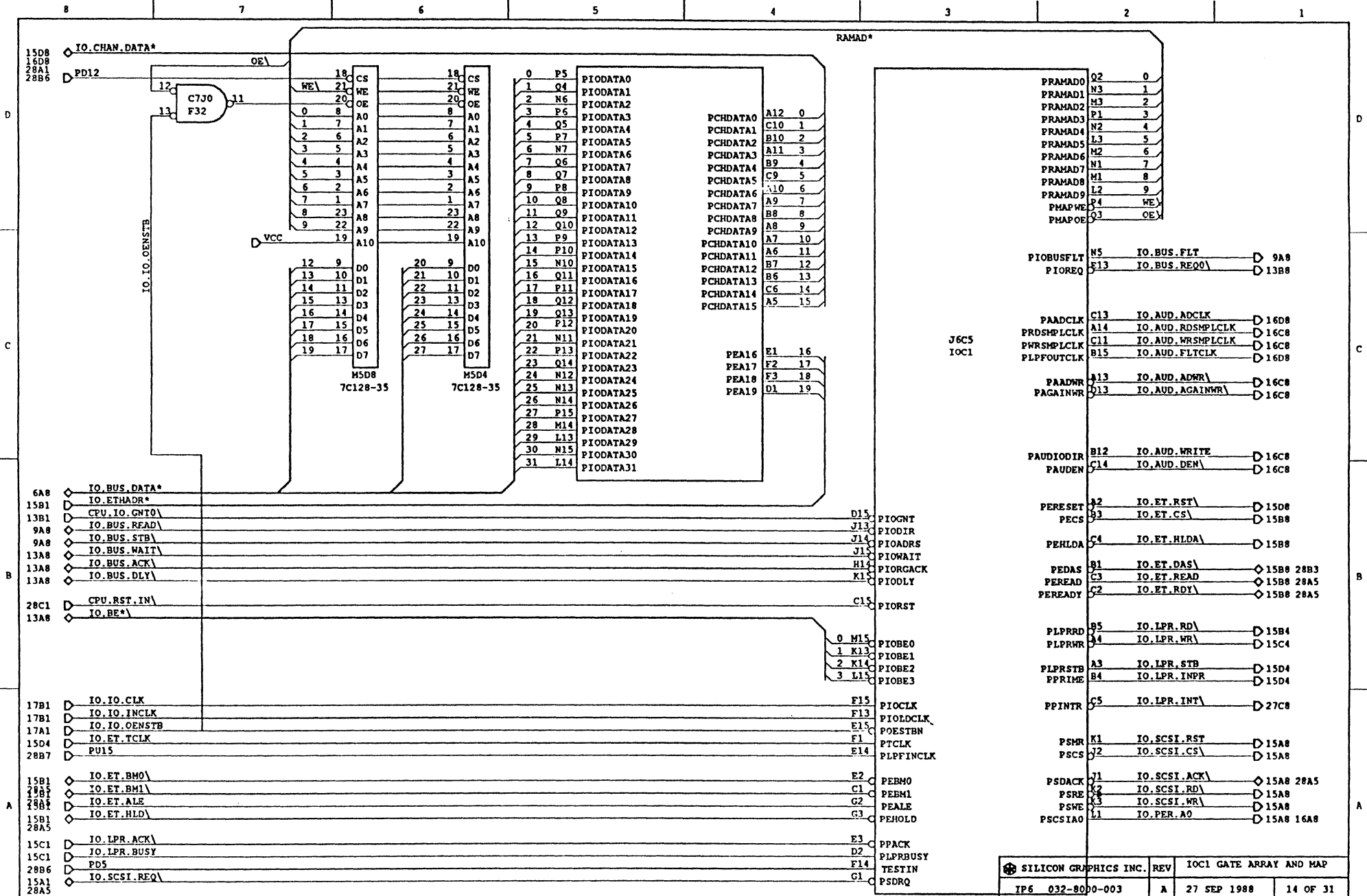


SILICON GRAPHICS INC.	REV	DUART1 - PORTS 1 & 2	
	IP6 032-8000-003	A	27 SEP 1988 11 OF 31

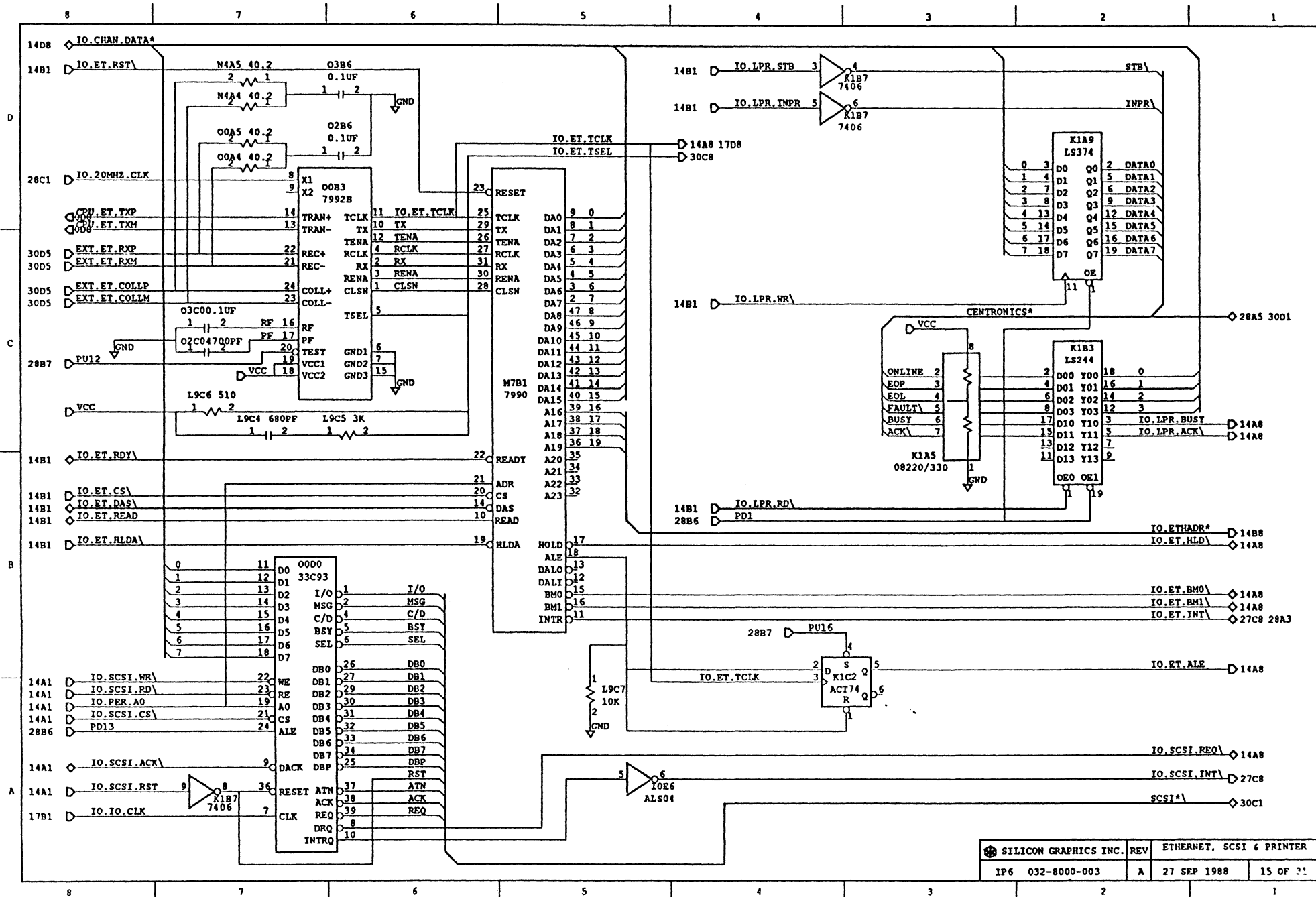


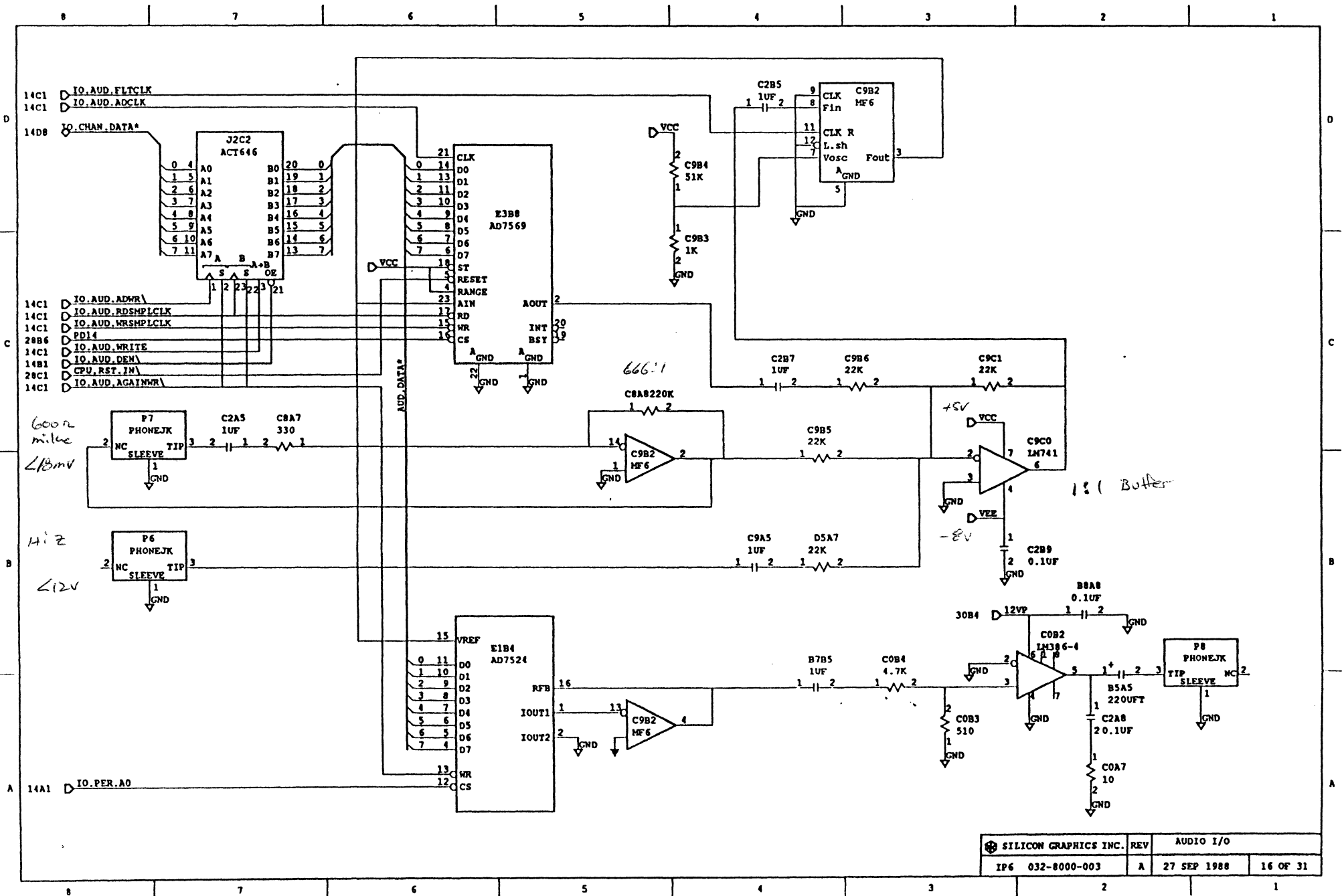
SILICON GRAPHICS INC. REV		TIMER AND RTC	
IP6	032-8000-003	A	27 SEP 1988 12 OF 31

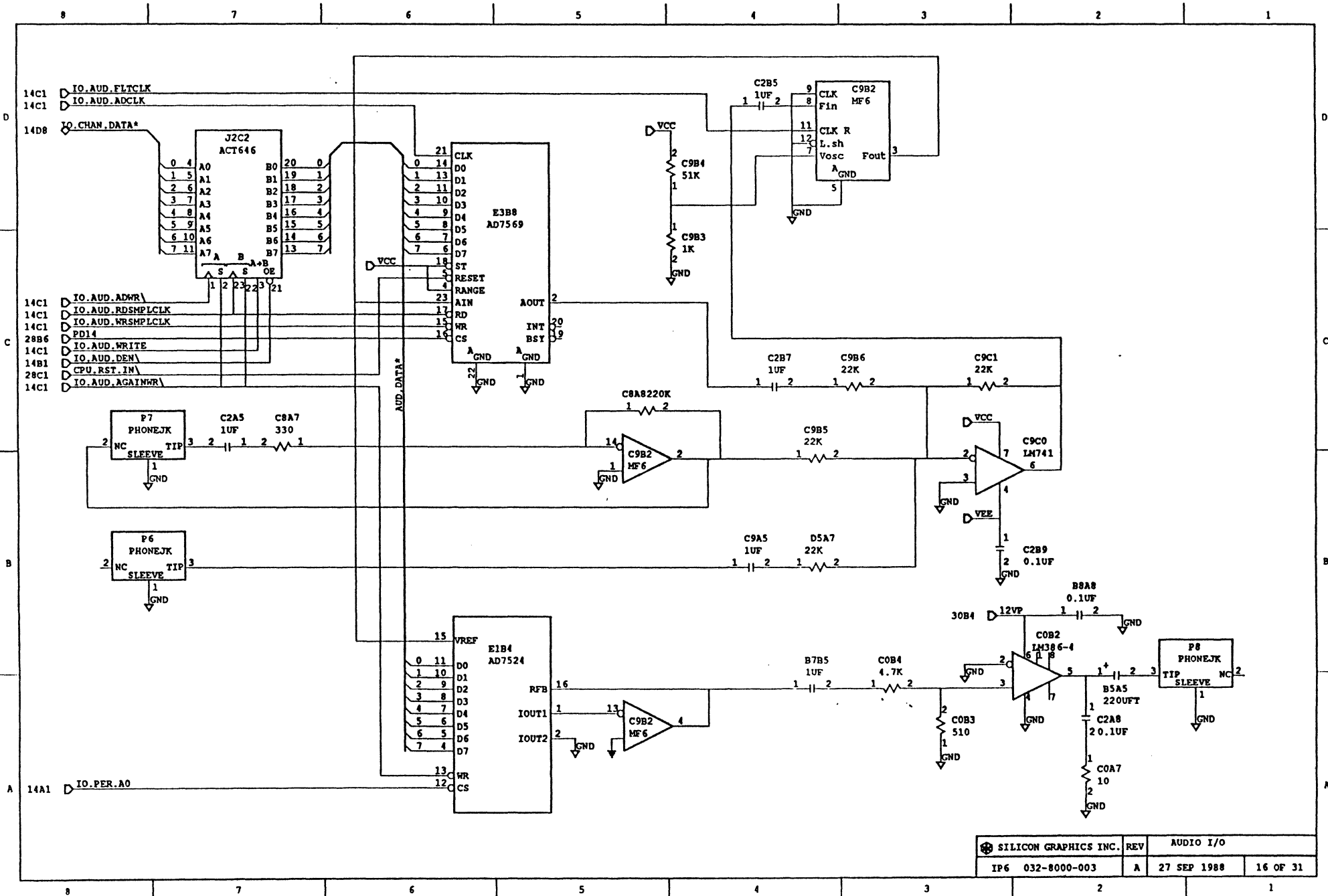




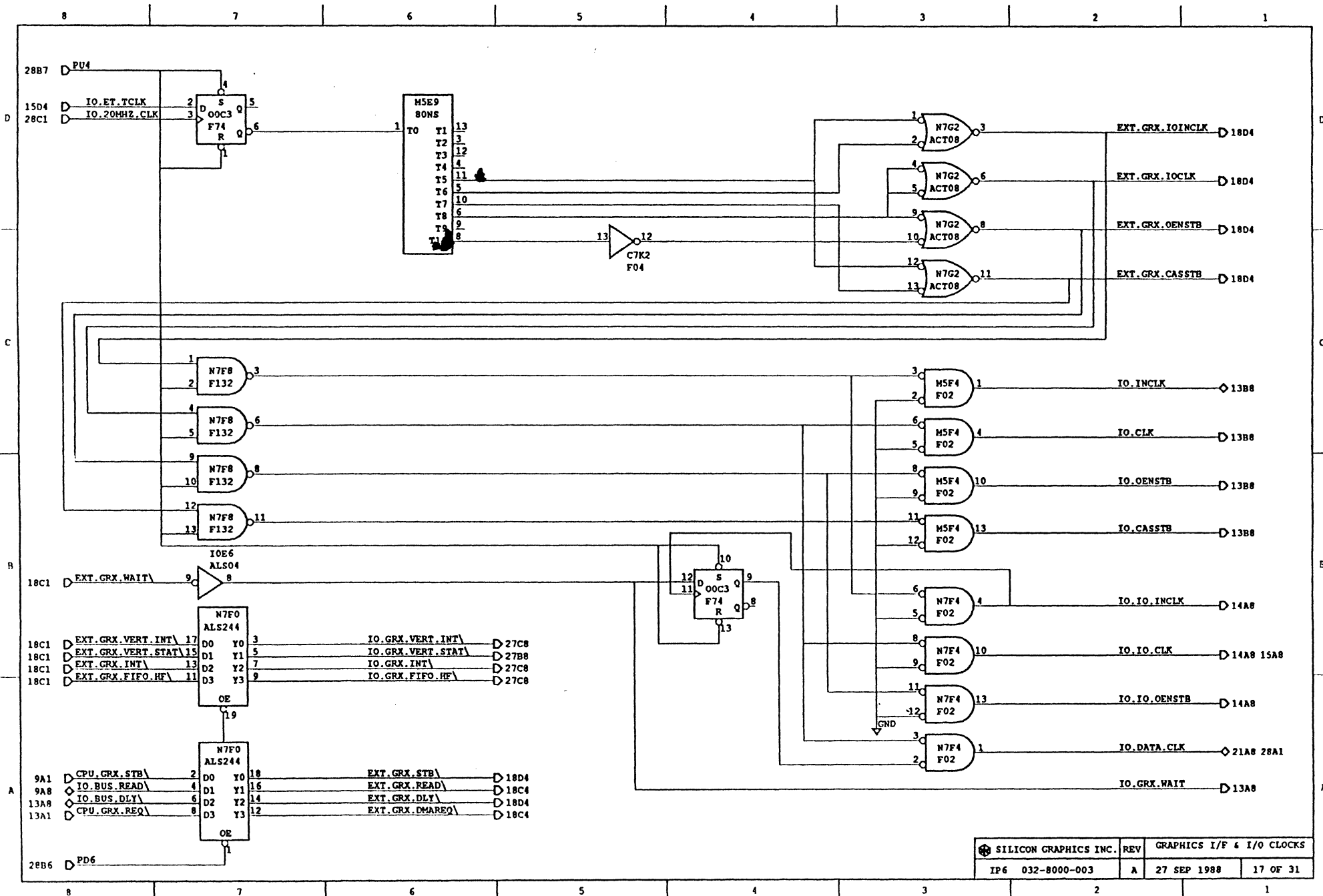
SILICON GRAPHICS INC. REV		IOCL GATE ARRAY AND MAP	
IP6 032-8000-003	A	27 SEP 1988	14 OF 31

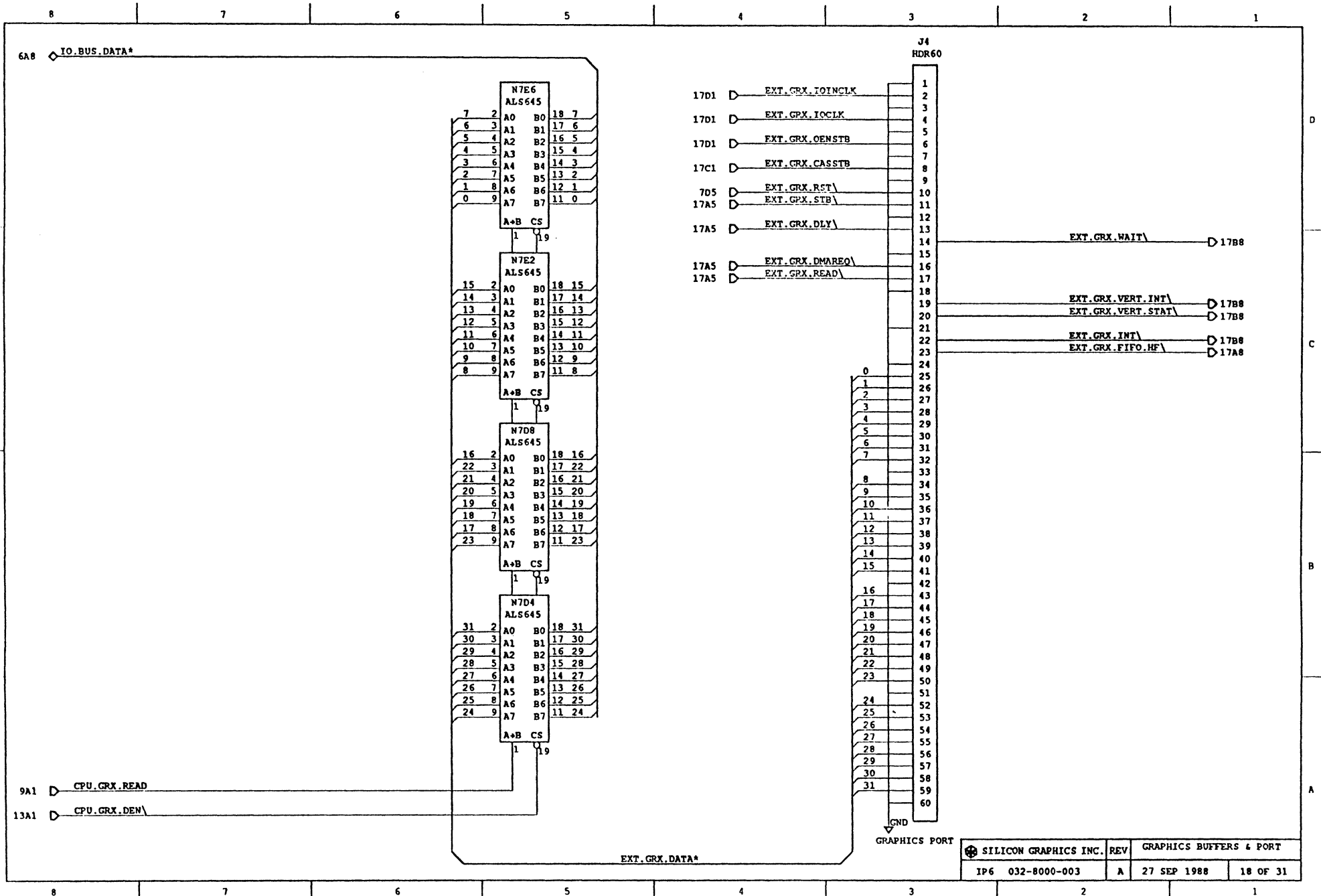


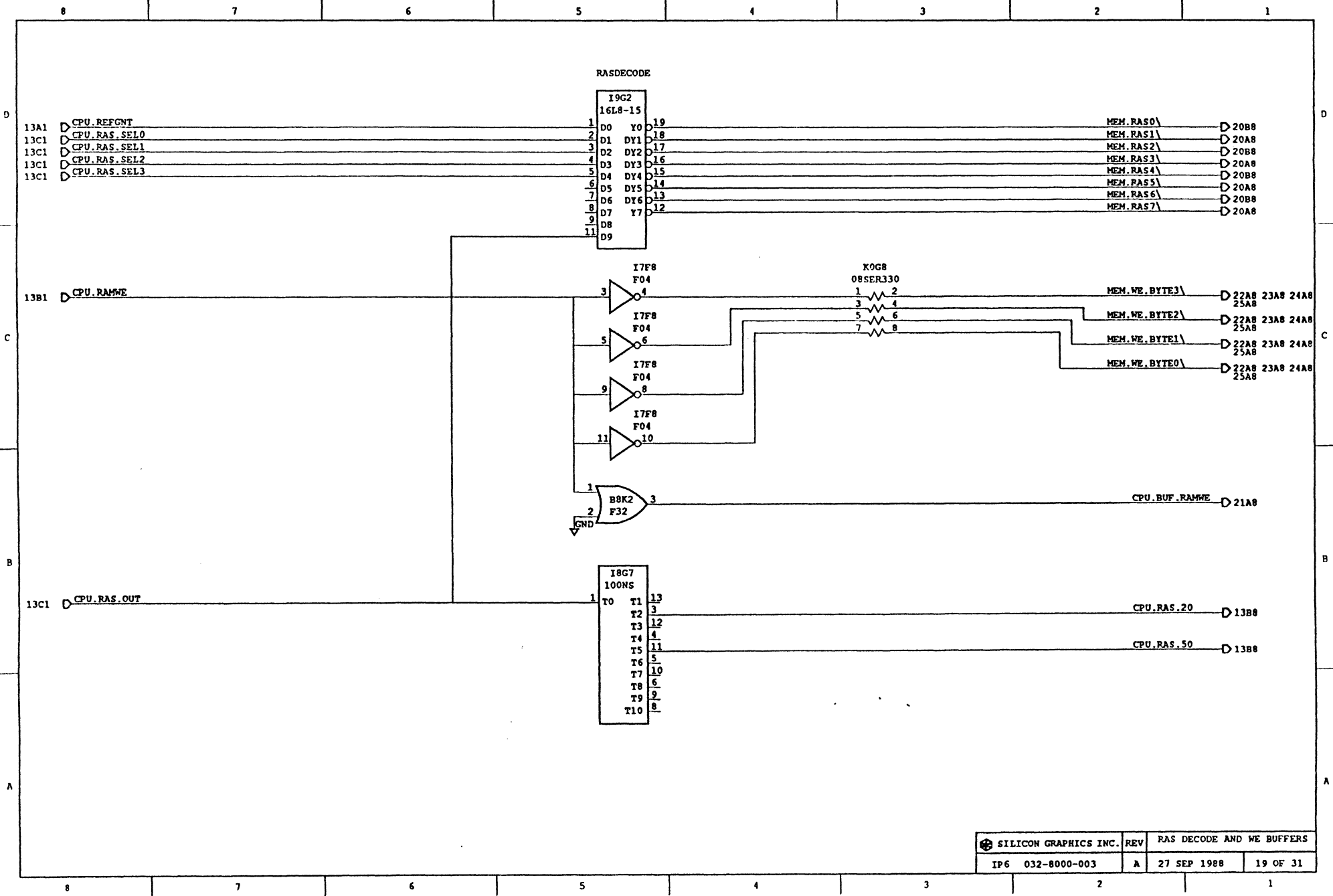


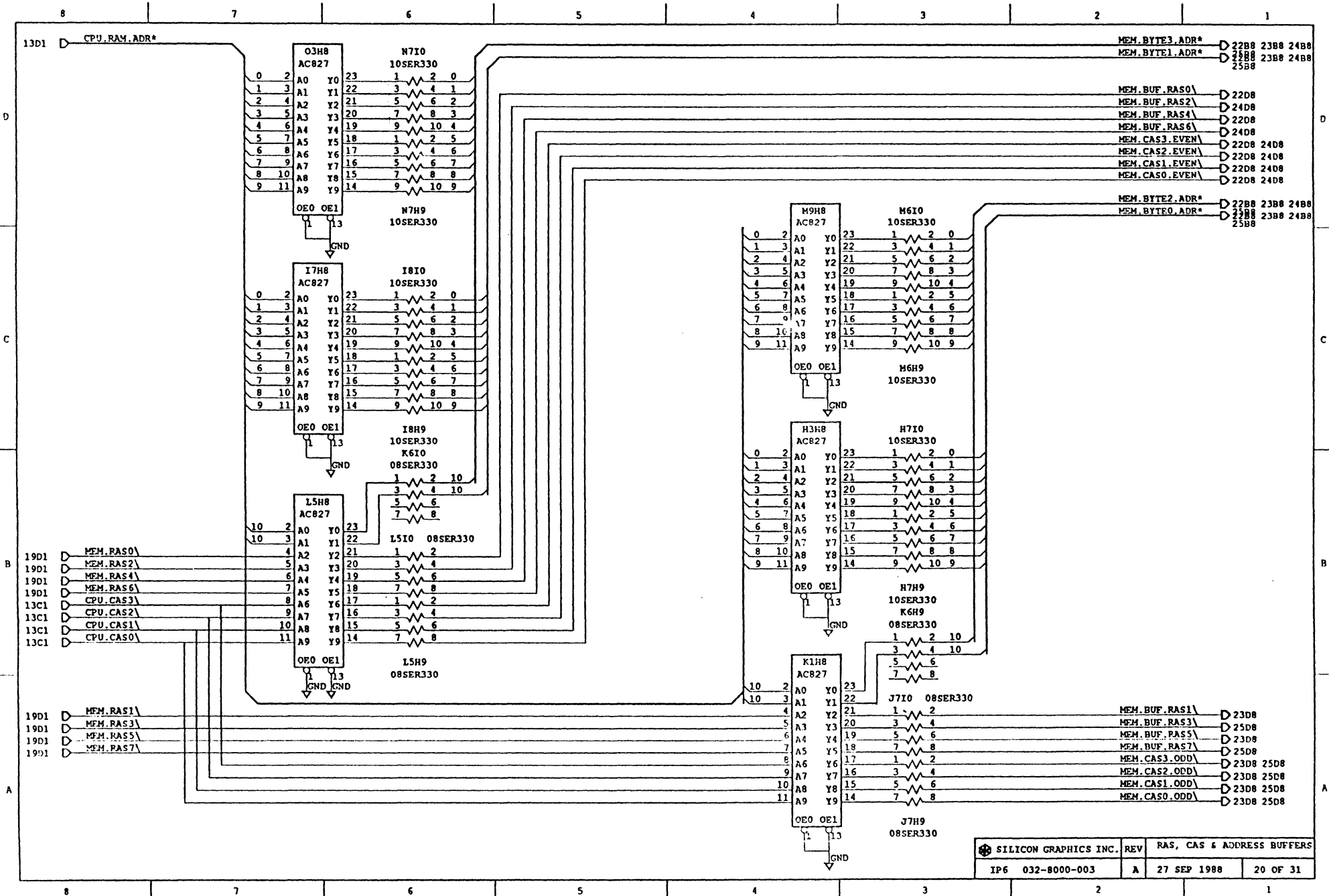


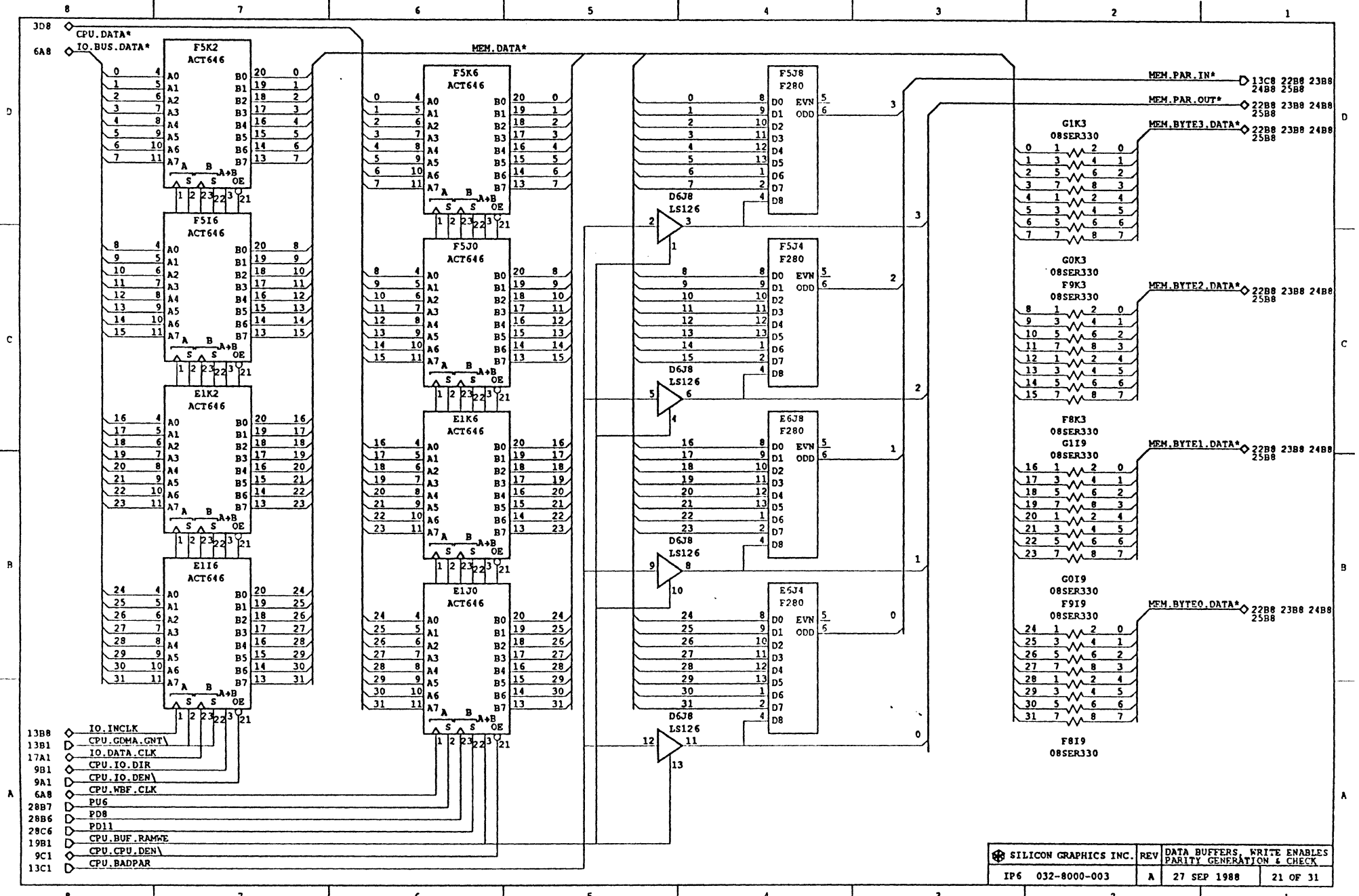
SILICON GRAPHICS INC.	REV	AUDIO I/O	
	IP6 032-8000-003	A	27 SEP 1988 16 OF 31





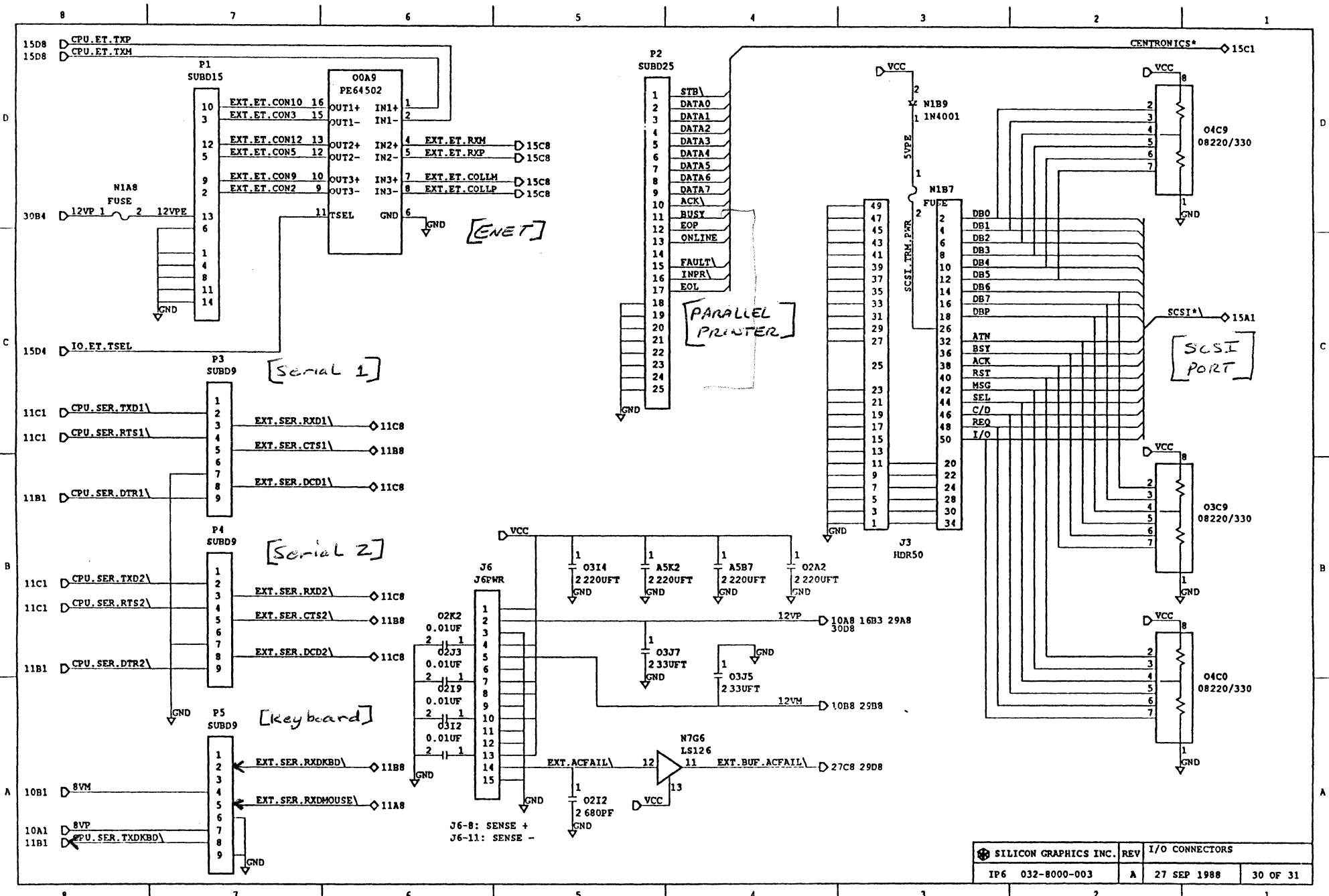
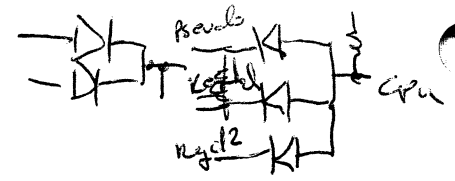




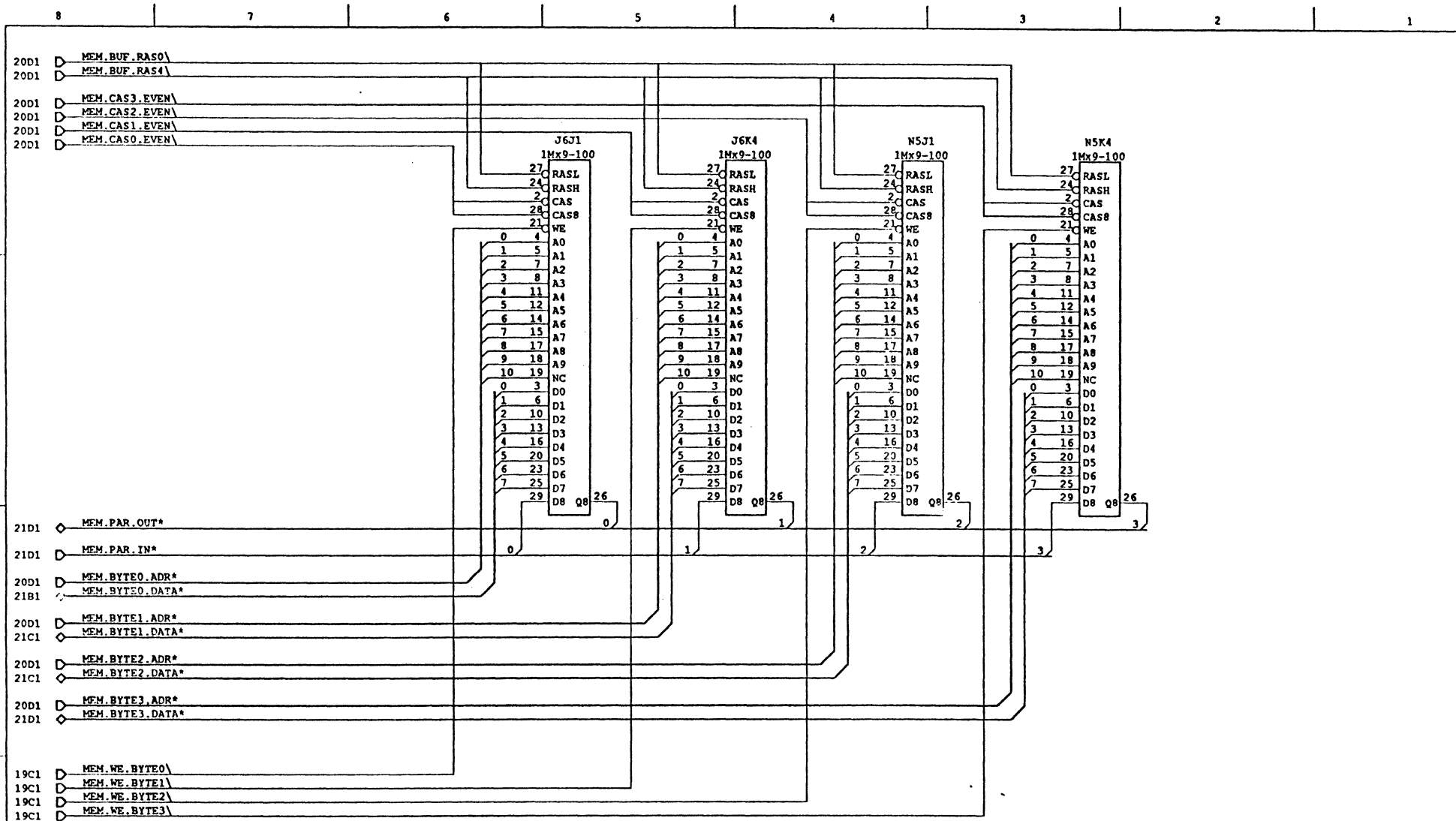


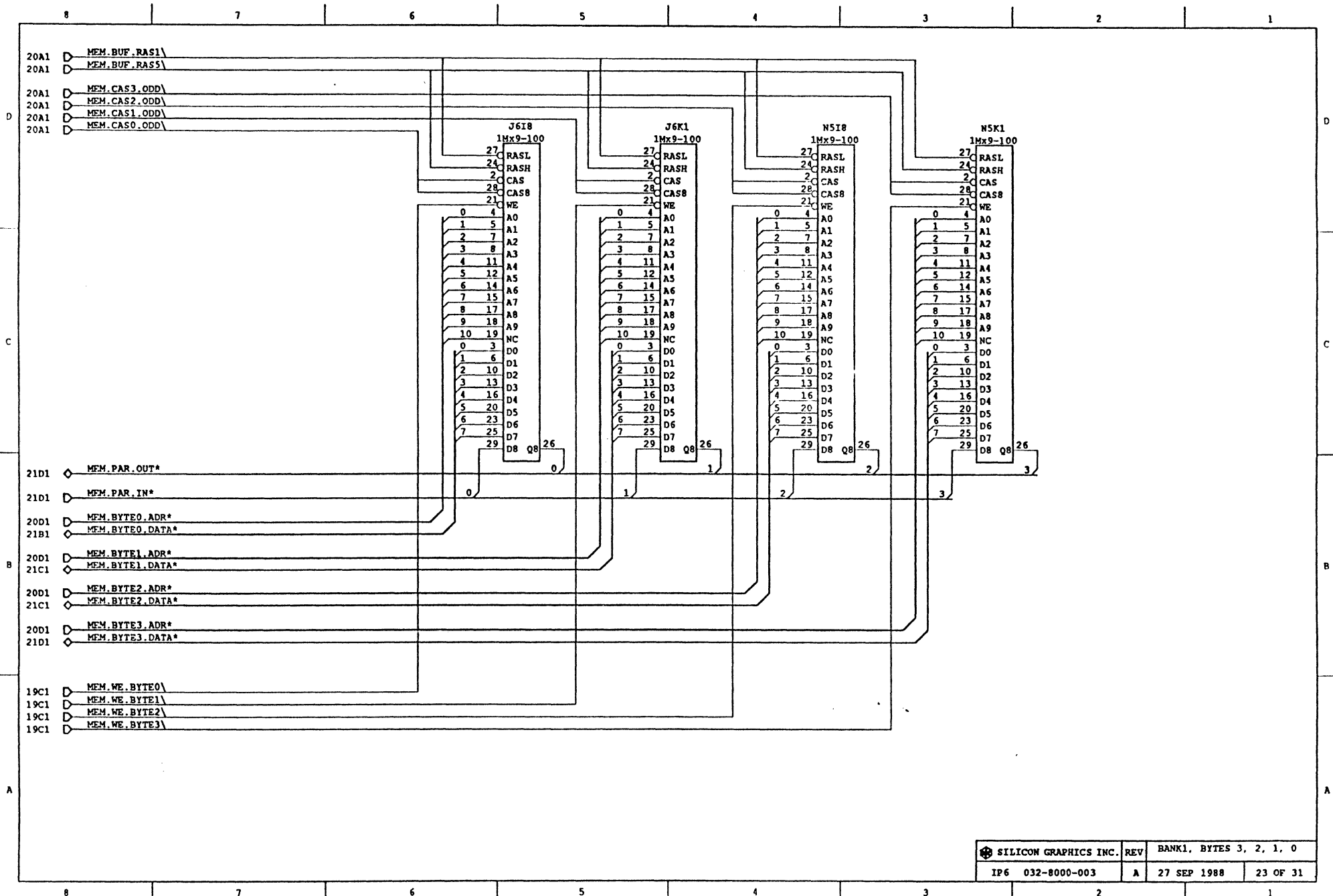
- 13B8 \diamond IO.INCLK
- 13B1 \triangleright CPU.GDMA.GNT
- 17A1 \triangleright IO.DATA.CLK
- 9B1 \triangleright CPU.IO.DIR
- 9A1 \triangleright CPU.IO.DEN
- 6A8 \triangleright CPU.WBF.CLK
- PUG \triangleright CPU
- 28B7 \triangleright PDB
- 28B6 \triangleright PD11
- 28C6 \triangleright CPU.BUF.RAMWE
- 19B1 \triangleright CPU.CPU.DEN
- 9C1 \triangleright CPU.CPU.DEN
- 13C1 \triangleright CPU.BADPAR

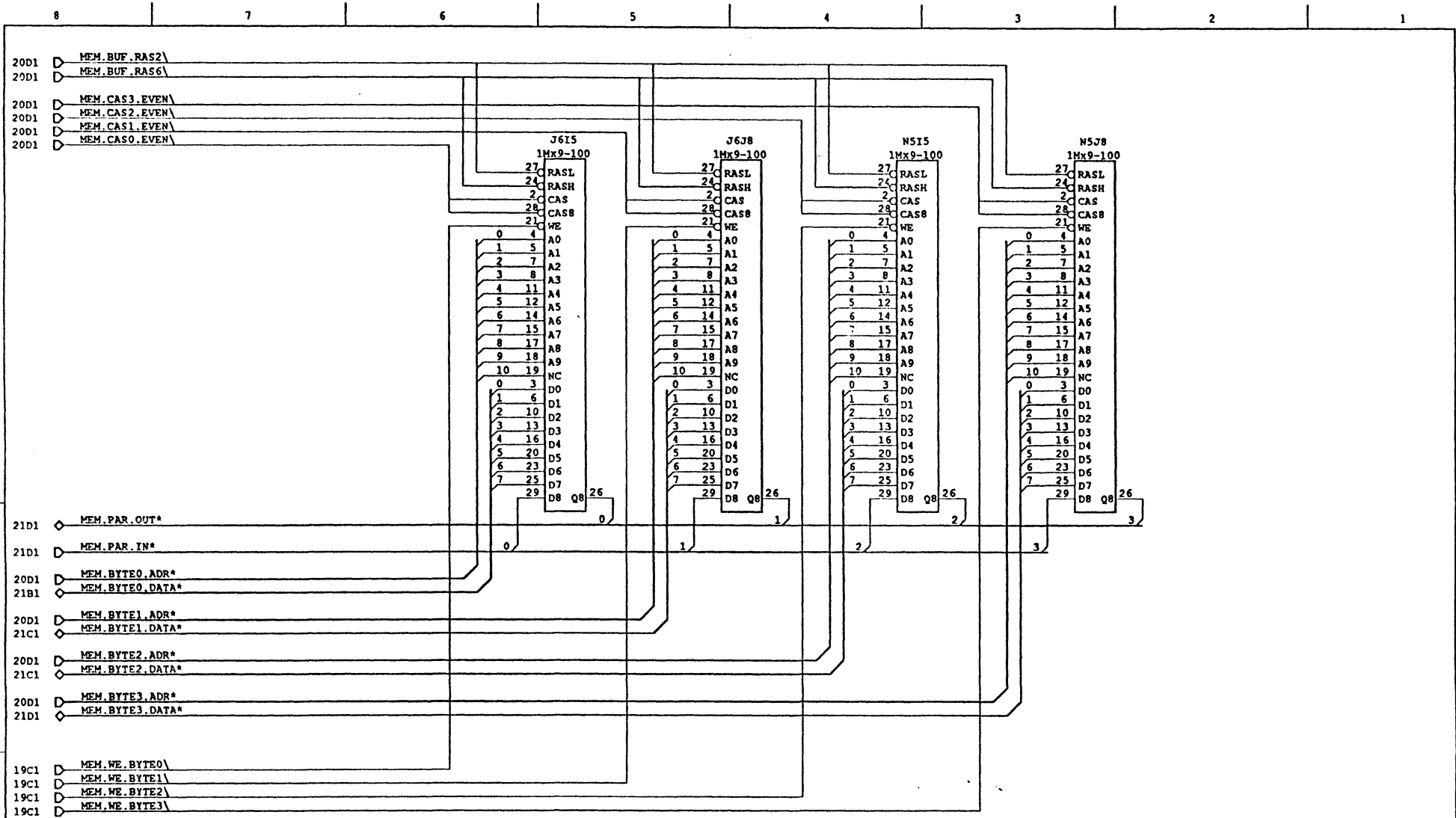
SILICON GRAPHICS INC.	REV	DATA BUFFERS, WRITE ENABLES PARITY GENERATION & CHECK	
	A	27 SEP 1988	21 OF 31

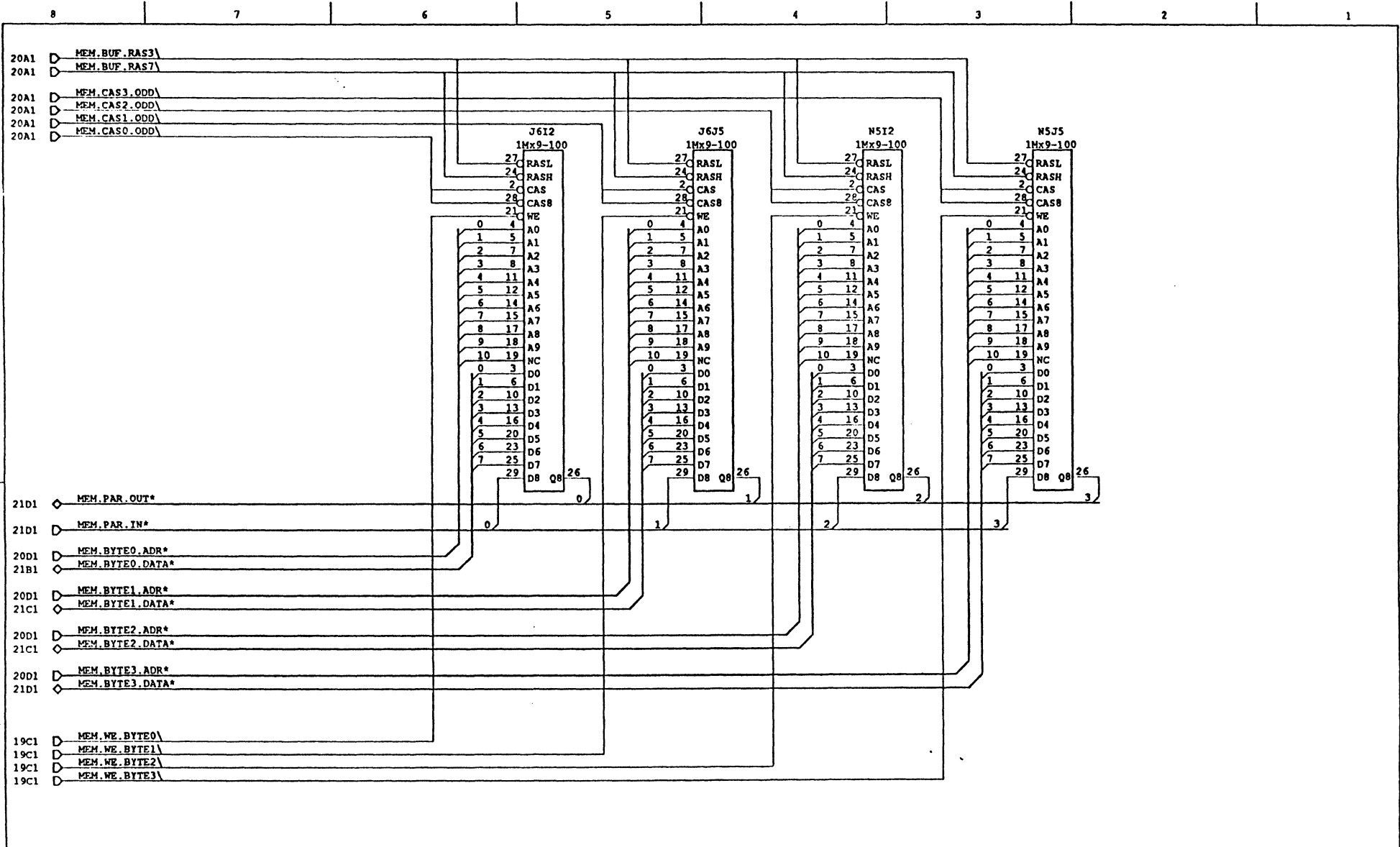


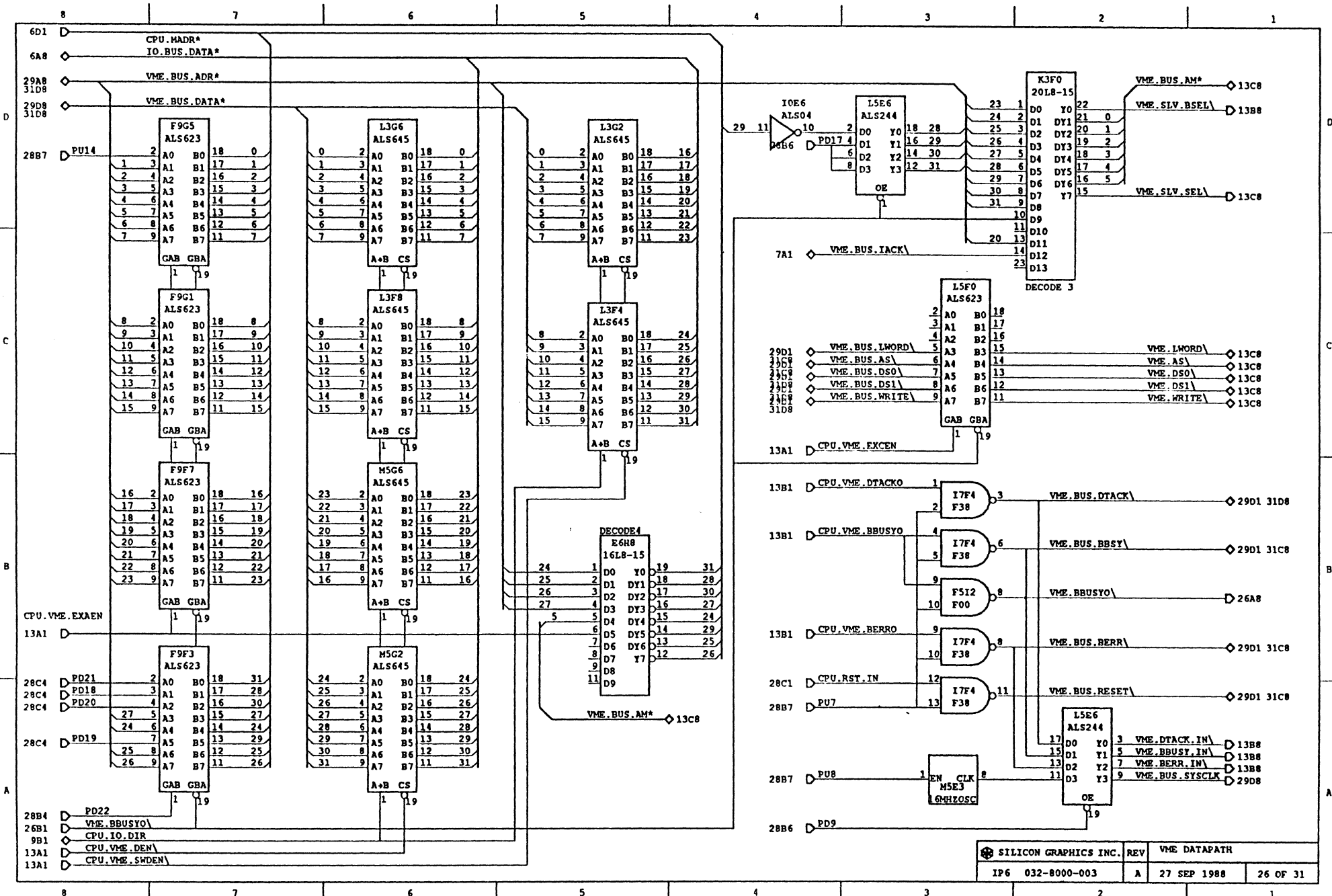
SILICON GRAPHICS INC. REV		I/O CONNECTORS	
IP6	032-8000-003	A	27 SEP 1988
			30 OF 31

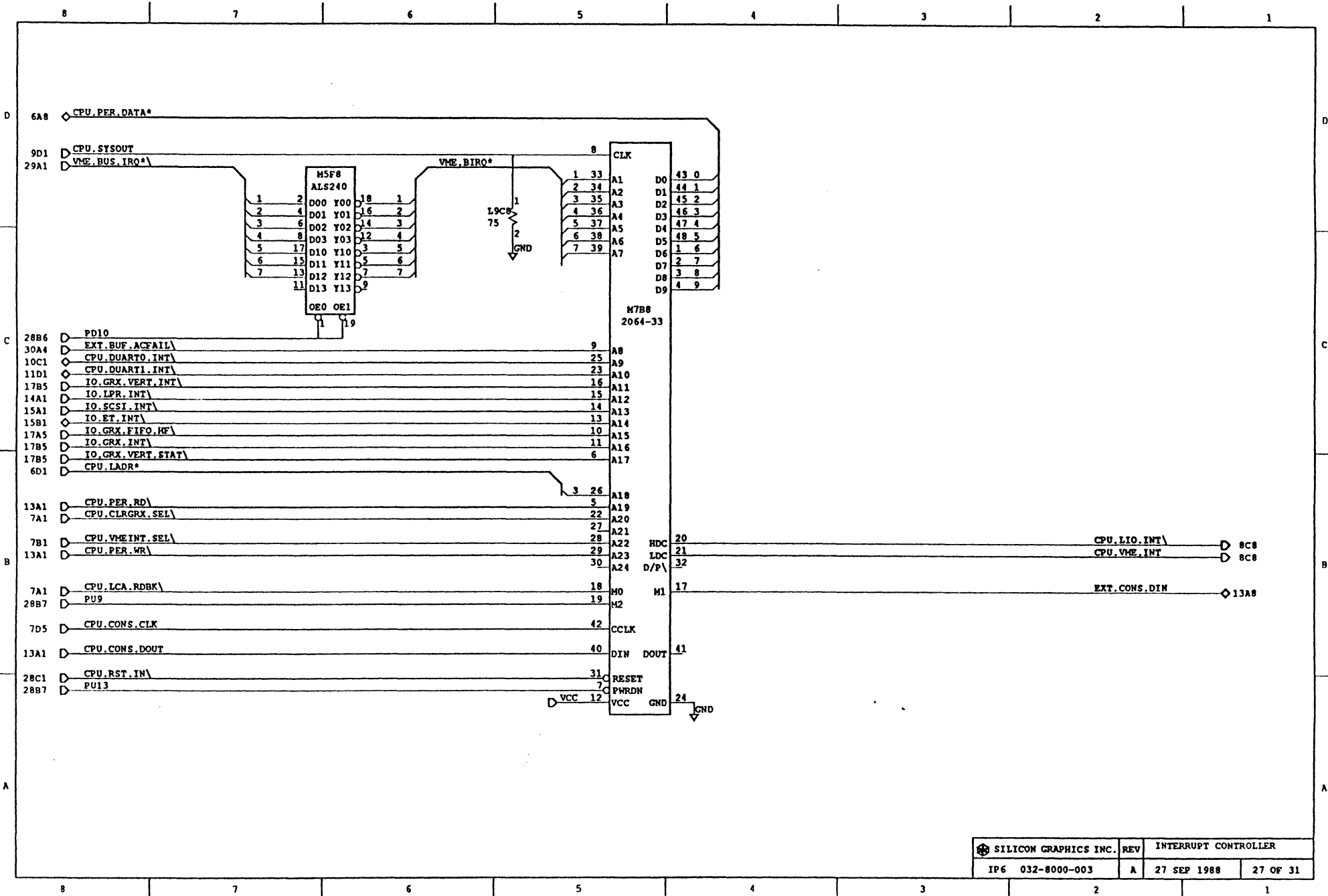












SILICON GRAPHICS INC.	REV	INTERRUPT CONTROLLER	
	IP6 032-8000-003	A	27 SEP 1988 27 OF 31

