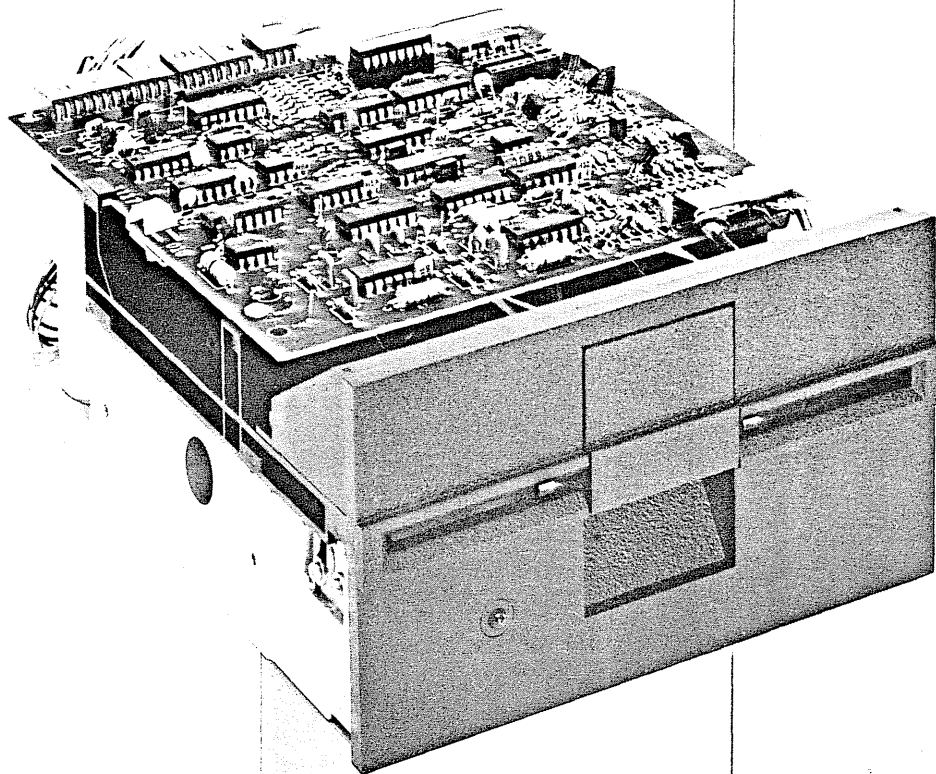


Tandon

TM100-1, TM100-2

FLEXIBLE DISK DRIVES



PRODUCT SPECIFICATION AND USER'S MANUAL

P/N 179024-001
Notice 1
June 15, 1982

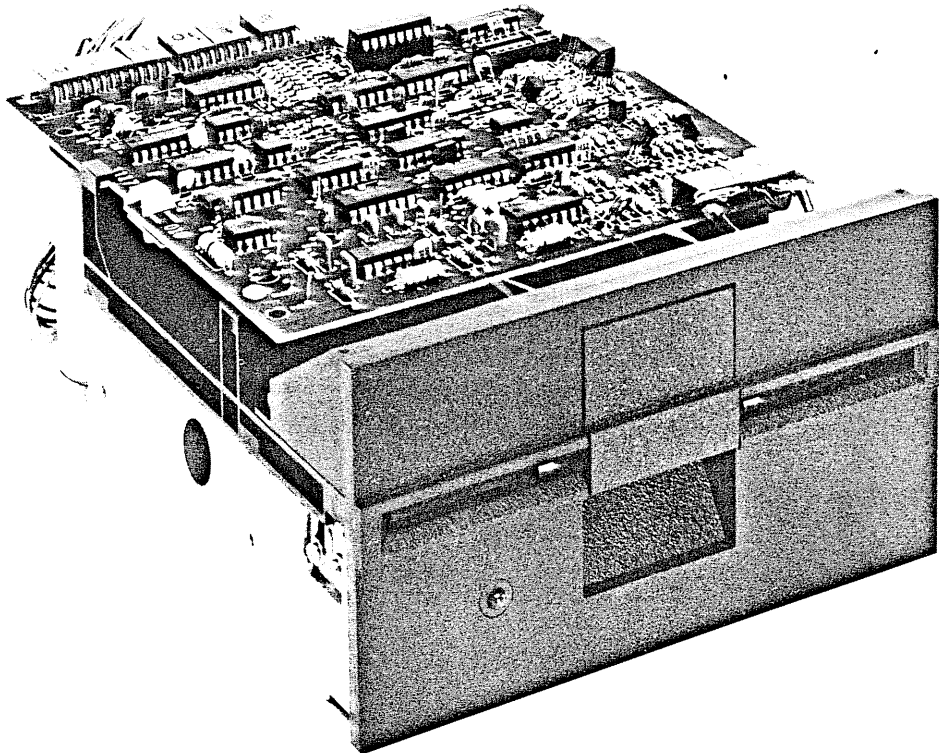
OEM OPERATING AND SERVICE MANUAL
TM100-3, -3M, -4, AND -4M DISK DRIVES
96/100 TRACKS PER INCH

TO ALL HOLDERS OF P/N 179024-001:

1. Page 2-13, Sections 2.6 through 2.6.1.11, has been revised and supersedes the one in the manual.
2. Page 2-14, Sections 2.6.2 through 2.6.2.7, has been added to the manual.
3. Retain this notice and insert it before the table of contents.
4. Holders of P/N 179024-001 are requested to verify that the page changes and additions indicated herein have been entered. This issuance is a separate publication. Each notice is to be retained until the OEM operating and service manual is completely revised.

Preparing Group:
Product Support, Tandon Corporation

TM100-1, TM100-2
5-1/4-INCH FLEXIBLE DISK DRIVES
48 TRACKS PER INCH
PRODUCT SPECIFICATION AND USER'S MANUAL



Tandon CORPORATION
20320 PRAIRIE STREET
CHATSWORTH, CALIFORNIA 91311

©COPYRIGHT 1984 TANDON CORPORATION

CONTENTS

Section Number	Title	Page Number
SECTION 1	GENERAL DESCRIPTION	
	Introduction	1-1
1.1	Scope Of The Document	1-1
1.2	Purpose Of The Drive	1-1
1.3	Major Features	1-1
	Write Protect	1-1
	Daisy Chain Capability	1-1
	Internal Trim Erase	1-1
	Industry Standard Interface Compatibility	1-1
	Track 0 Switch	1-2
	Index Sensor	1-2
	Activity Indicator	1-2
1.4	Functional Description	1-2
1.5	Physical Description	1-2
SECTION 2	PRODUCT SPECIFICATIONS	
	Introduction	2-1
2.1	Mechanical Specifications	2-1
2.2	Electrical and Operational Specifications	2-1
2.3	Reliability Specifications	2-1
2.4	Environmental Specifications	2-1
SECTION 3	OPERATION	
	Introduction	3-1
3.1	Unpacking The Drive	3-1
3.2	Preinstallation Checkout	3-1
3.3	Mounting The Drive	3-1
	Dust Cover	3-2
	Cooling	3-2
3.4	Interface Connections	3-2
	Input Control Lines	3-2
	Output Control Lines	3-4
	Typical Interface Characteristics	3-4
3.5	D. C. Power	3-5
3.6	Drive Address and Option Patching	3-5
	DS0 Through DS3 Jumpers	3-5
	MX Jumper	3-7
	HS and HM Jumpers	3-7
	Power Save Option	3-7
	Side Select (W1)	3-7
	Write Flip-Flop Control (W2, W3)	3-7
	Write Protect Control (W4, W5)	3-7
	Activity L.E.D. Control (W6, W7, W9)	3-7
	Drive Select 3 Enable (W8)	3-9
	Door Lock Solenoid (W10)	3-9
3.7	Diskettes	3-9
	Loading The Diskette	3-9
	Write Protect Tab	3-9
	Diskette Handling and Storage	3-9

ILLUSTRATIONS

FIGURES

Figure Number	Title	Page Number
1-1	Disk Drive	1-3
2-1	Disk Drive Outline Drawing	2-2
3-1	Electrical Interface Characteristics	3-5
3-2	Control and Data Timing Requirements	3-6
3-3	Logic Board With Programmable Shunts and Option Patching Locations	3-8
3-4	Recording Media	3-10
3-5	Write Protect Tab	3-11
3-6	Diskette Handling and Storage	3-12

TABLES

Table Number	Title	Page Number
2-1	Electrical and Operational Specifications	2-3
2-2	Reliability Specifications	2-4
2-3	Environmental Specifications	2-5
3-1	Drive Interface Lines and Pin Assignments	3-2
3-2	D. C. Power Connector Pin Assignments	3-5

SECTION 1

GENERAL DESCRIPTION

INTRODUCTION

This document provides required information in order to evaluate and incorporate Tandon's disk drive into a system.

Tandon Corporation's Model Number TM100-1 and TM100-2 are full-feature, 5-1/4-inch, flexible disk drives. They are compact data storage devices that use an ANSI-compatible, industry standard, 5-1/4-inch diskette.

Model Number TM100-1 and TM100-2 drives each have forty-eight (48) tracks per inch. The TM100-1 is a single-sided recording device. The TM100-2 is a double-sided recording device.

Both drives are capable of reading and writing in single-density format on a diskette, using a proprietary read/write head patented by Tandon. The drives have a double density capability when Modified Frequency Modulation (MFM) or other appropriate recording technique is used. Encoding and decoding of the data is done by the user's controller.

1.1 SCOPE OF THE DOCUMENT

This document contains the major features, physical and functional specifications, mounting and power requirements, the interface, and typical timing characteristics of the TM100-1 and TM100-2 drives.

1.2 PURPOSE OF THE DRIVE

The TM100-1 and TM100-2 drives are rotating disk memories designed for random access data

entry, storage, and retrieval applications. Typical applications include intelligent terminal controllers, microcomputers, word processing systems, data communication systems, error logging, program loading, and point-of-sale terminals.

1.3 MAJOR FEATURES

WRITE PROTECT

When a write protected diskette is inserted into the drive, the write electronics are disabled.

DAISY CHAIN CAPABILITY

The drive provides the address selection and gating functions necessary to daisy chain a maximum of four units at the user's option. The last drive on the daisy chain terminates the interface. The terminations are accomplished by a resistor array plugged into a DIP socket.

INTERNAL TRIM ERASE

The drive provides the control signals necessary for proper trim erasure of data.

INDUSTRY STANDARD INTERFACE COMPATIBILITY

The drive is compatible with controllers that use an industry standard interface.

TRACK 0 SWITCH

The Track 0 switch is provided to generate a logic level at the drive interface, indicating the read/write head is positioned at the outermost track.

INDEX SENSOR

An index sensor is provided to generate electrical pulses at the drive interface coincident with sensing Index/Sector holes on the diskette.

ACTIVITY INDICATOR

An activity indicator, located on the front panel, is automatically illuminated when the drive is selected.

1.4 FUNCTIONAL DESCRIPTION

The drives are fully self-contained, and require no operator intervention during normal operation. Each drive consists of electronics to generate and interpret control signals, a head positioning system, a read/write system, and a spindle drive system.

When the front latch is opened, access is provided for insertion of a diskette. The diskette is held in place by plastic guide rails. Its location is ensured when the diskette is inserted until a back stop is encountered.

Closing the front latch activates the cone clamping mechanism, resulting in accurate centering and clamping of the diskette. The drive hub is held at a constant speed of 300 RPM by a servo-controlled D. C. motor. The heads remain in contact with the recording media until the front latch is opened.

The heads are positioned over the desired track by means of a four-phase stepper motor/band

assembly and its associated electronics. This positioner uses a one-step rotation to cause a one track linear movement.

Data recovery electronics include a low-level read amplifier, differentiator, zero crossover detector, and digitizing circuits. No data decoding capabilities are provided.

The drive has the following sensors:

1. A Track 0 switch detects when the head/carriage assembly is positioned at Track 0.
2. An index/sensor is positioned to generate a digital signal when an index/sensor hole on the diskette is detected.
3. A write protect switch disables the write electronics when a write protect tab is applied to the diskette.

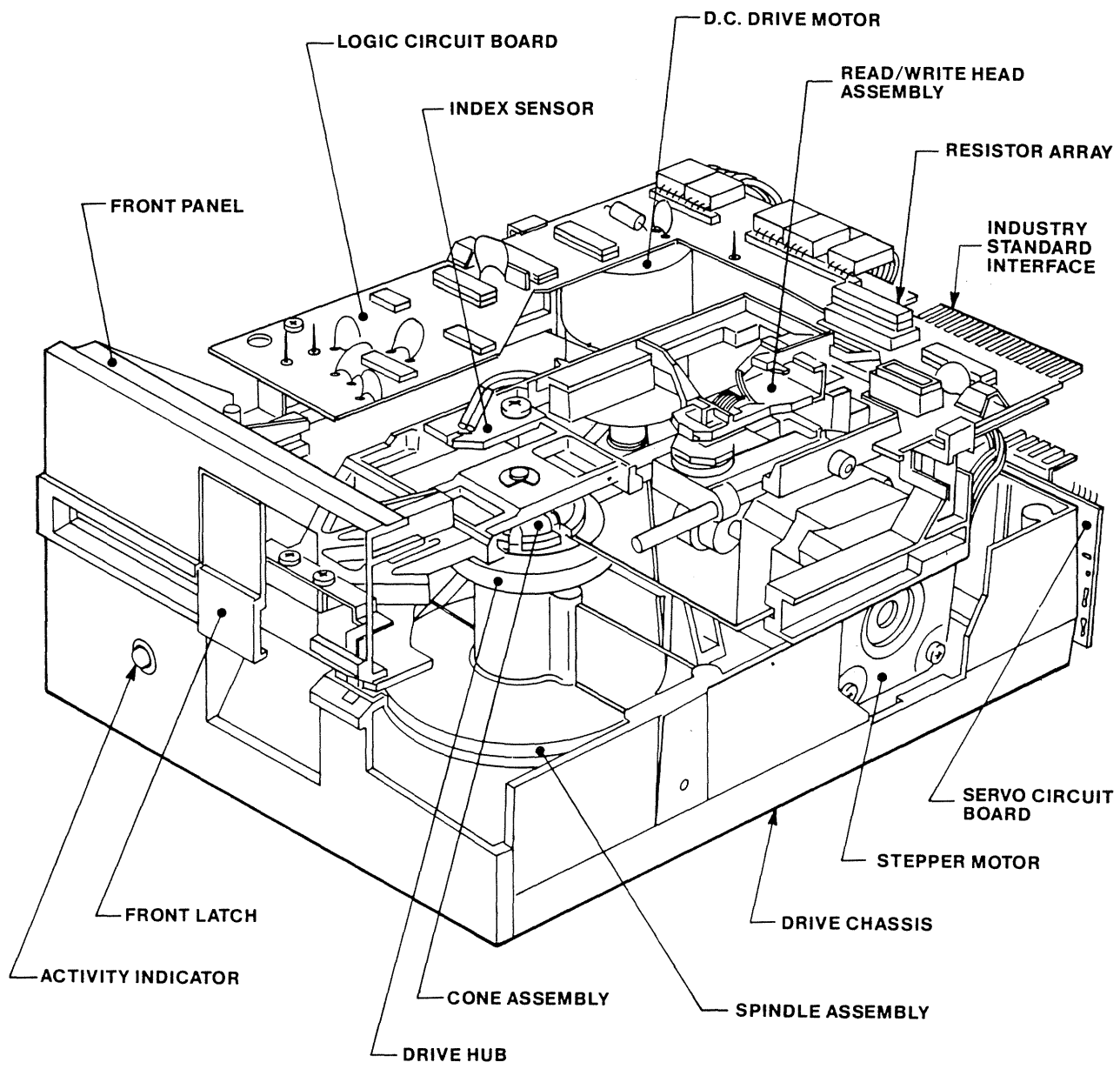
1.5 PHYSICAL DESCRIPTION

A representative drive is shown in Figure 1-1. The drive can be mounted in a vertical or horizontal plane. However, the logic circuit board must be on the uppermost side when the drive is mounted horizontally.

The spindle is belt driven by a D. C. motor with an integral tachometer. The servo control circuit and tachometer control the speed of the spindle.

The read/write head assembly is positioned by a split band positioner mounted to a stepper motor. The read/write head(s) is a glass-bonded, ferrite/ceramic structure with a life expectancy of 20,000 operating hours.

The electronic components of the drive are mounted on two printed circuit boards. The logic circuit board is mounted above the chassis. The spindle motor control circuit board is mounted at the rear of the chassis. Power and interface signals are routed through connectors plugged directly into the logic circuit board.



**FIGURE 1-1
DISK DRIVE**

SECTION 2

PRODUCT SPECIFICATIONS

INTRODUCTION

This section contains the mechanical, electrical reliability, and environmental specifications for the TM100-1 and TM100-2 drives.

2.1 MECHANICAL SPECIFICATIONS

The physical dimensions of the drive are located in Figure 2-1.

2.2 ELECTRICAL AND OPERATIONAL SPECIFICATIONS

The electrical and operational specifications are located in Table 2-1.

2.3 RELIABILITY SPECIFICATIONS

The reliability specifications are located in Table 2-2.

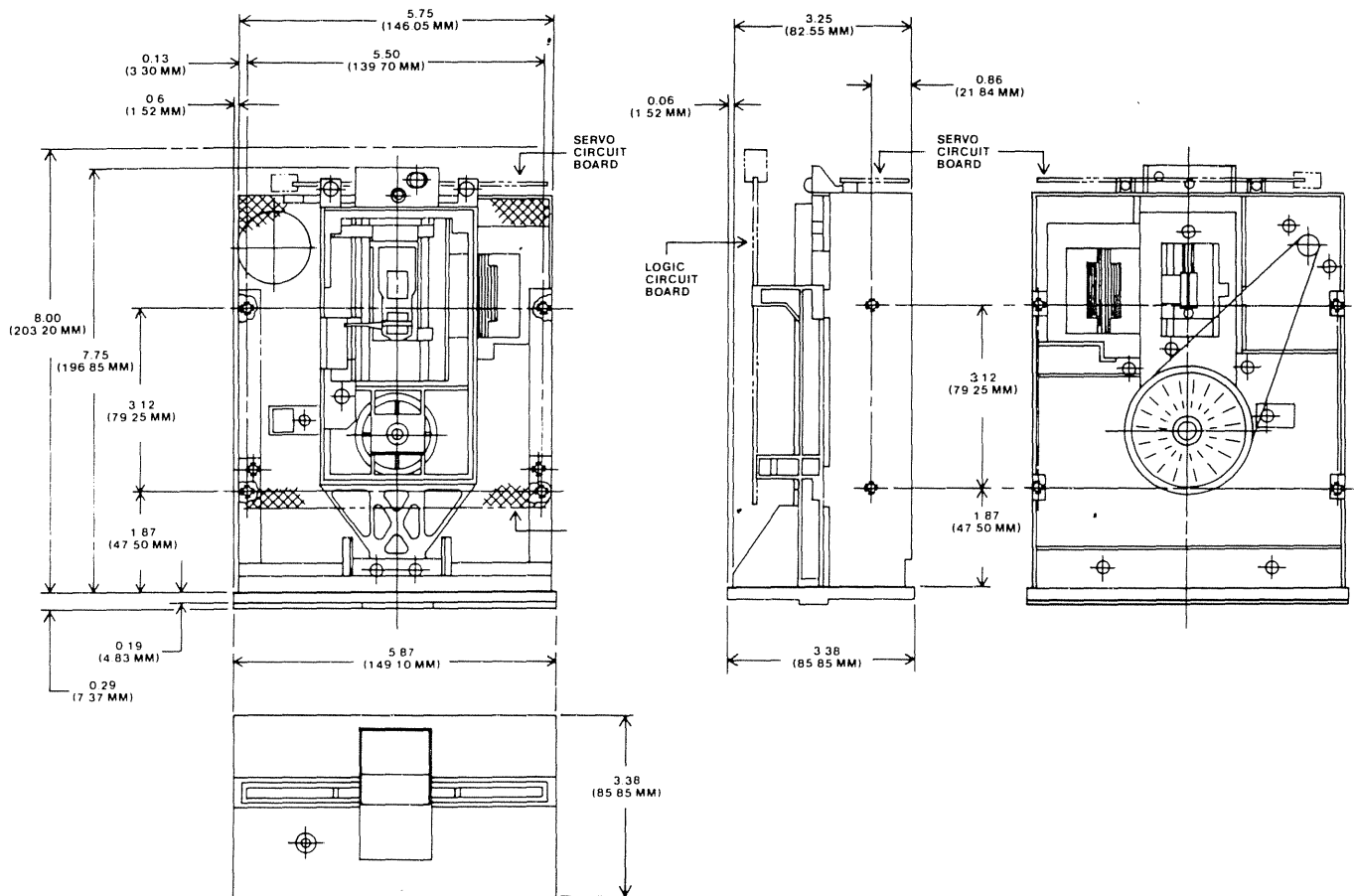
2.4 ENVIRONMENTAL SPECIFICATIONS

The environmental specifications are located in Table 2-3.

Tandon

CORPORATION, CHATSWORTH, CALIFORNIA 91311

**179059-001
REV. A**



- NOTES: 1. DIMENSIONS ARE GIVEN IN INCHES. METRIC EQUIVALENTS ARE IN PARENTHESES.
 2. TOLERANCE ON ALL DIMENSIONS ± 0.020 INCH, UNLESS OTHERWISE SPECIFIED.
 3. WEIGHT IS APPROXIMATELY 3 POUNDS (1.35 KILOGRAMS).

FIGURE 2-1
 DISK DRIVE OUTLINE DRAWING

Tandon

CORPORATION, CHATSWORTH, CALIFORNIA 91311

179059-001
 REV. A

**TABLE 2-1
ELECTRICAL AND OPERATIONAL SPECIFICATIONS**

Media	ANSI-compatible, 5-1/4-inch diskette
Media Life (for reference only)	4 x 10 ⁶ passes per track
Tracks Per Inch	48 TPI, both drives
Tracks Per Drive	
TM100-1	40 tracks
TM100-2	80 tracks
Track Spacing	0.529 millimeters, 20.8 milinches
Head Life	20,000 media contact hours
Disk Rotational Speed	300 RPM ± 1.5 percent
Average Rotational Latency	100 milliseconds
Instantaneous Speed Variation (ISV)	± 3 percent
Motor Start Time	250 milliseconds, maximum
Motor Stop Time	150 milliseconds, maximum
Seek Time, track-to-track	5 milliseconds
Head Settling Time	15 milliseconds
Average Track Access Time, including head settling time	75 milliseconds
Typical Recording Modes	FM, MFM, MMFM
Data Transfer Rate	250,000 bits per second, double density
Flux Reversals Per Inch (FRPI), inside track	
Both Models, Side 0	5,535 FRPI
TM100-2, Side 1	5,877 FRPI

Tandon

CORPORATION, CHATSWORTH, CALIFORNIA 91311

**179059-001
REV. A**

**TABLE 2-1 (CONTINUED)
ELECTRICAL AND OPERATIONAL SPECIFICATIONS**

<p>Unformatted Recording Capacity</p> <p> TM100-1</p> <p> TM100-2</p> <p>D. C. Voltage and Current Requirements</p> <p> + 12 volts D. C. Power</p> <p> + 5 volts D. C. Power</p> <p>Shipment</p>	<p>250 kilobytes per disk</p> <p>500 kilobytes per disk</p> <p>+ 12 volts \pm 0.6 volt, 900 milliamperes, average, 100 millivolts peak-to-peak ripple.</p> <p>+ 5 volts \pm 0.25 volt, 600 milliamperes, average, with less than 100 millivolts peak-to-peak ripple.</p> <p>When prepared for shipment by Tandon, the drive meets the requirements of NSTA preshipment test procedure Project 1A.</p>
--	---

**TABLE 2-2
RELIABILITY SPECIFICATIONS**

<p>Error Rates, maximum, exclusive of external sources, e.g.: electronics, defective and contaminated diskettes</p> <p> Soft Errors (Recoverable)</p> <p> Hard Errors (Nonrecoverable)</p> <p> Seek Errors</p> <p>Mean Time Between Failures</p> <p>Mean Time To Repair</p>	<p>One in 10^9 bits</p> <p>One in 10^{12} bits</p> <p>One in 10^6 seeks</p> <p>8,000 hours, 25 percent duty cycle</p> <p>30 minutes</p>
--	--

Tandon

CORPORATION, CHATSWORTH, CALIFORNIA 91311

**179059-001
REV. A**

**TABLE 2-3
ENVIRONMENTAL SPECIFICATIONS**

<p>Temperature</p> <p> Operating, media dependent</p> <p> Nonoperating</p> <p>Relative Humidity</p> <p> Operating, noncondensing, media dependent</p> <p> Nonoperating, noncondensing</p> <p>Altitude</p> <p> Operating or nonoperating</p>	<p>10°C to 46°C, 50°F to 115°F</p> <p>-40°C to 71°C, -40°F to 160°F</p> <p>20-to-80 percent</p> <p>5-to-95 percent</p> <p>152.4 meters, 500 feet, below sea level, to 15,240 meters, 50,000 feet, above sea level</p>
---	---



CORPORATION, CHATSWORTH, CALIFORNIA 91311

**179059-001
REV. A**

2.6 TRACK 00 SENSOR CHECK AND ADJUSTMENT

The Track 00 sensor provides a signal that identifies Track 00 to the logic electronics. The logic electronics disable the step-out function when Track 00 is reached. In addition, a Track 00 signal is sent to the controller on Pin 26 of the interface.

2.6.1. Track 00 Sensor Check

- 2.6.1.1 Set up a dual-channel, wideband oscilloscope as follows:
 Channel A, Test Point 1; Channel B, Test Point 2
 Ground: Test Point 10
 Read Differentially: A plus B, B inverted
 Time Base: 20 milliseconds per division
 External Trigger: Test Point 7, positive edge
 Vertical Display: 0.1 volt per division
- 2.6.1.2 Apply power to the drive.
- 2.6.1.3 Insert a Cats Eye alignment diskette into the drive.
- 2.6.1.4 Close the front door.
- 2.6.1.5 Step the carriage to the radial alignment track.
- 2.6.1.6 Confirm the position by observing the Cats Eye pattern.
- 2.6.1.7 Set up the oscilloscope to monitor the TTL signal at IC4B, Pin 9, or at P11, Pin 2.
- 2.6.1.8 Step the carriage back to Track 01.
- 2.6.1.9 Ensure that the signal at Track 01 is at least 2.5 volts.
- 2.6.1.10 Step the carriage out to the radial alignment track.
- 2.6.1.11 Step the carriage back to Track 02.
- 2.6.1.12 Verify that the logic level at IC4B, Pin 9, is less than 0.8 volt.
- 2.6.1.13 If all of the above checks are satisfactory, no adjustment is required.
- 2.6.1.14 If one of the above checks is unsatisfactory, perform the Track 00 adjustment procedure.

2.6.2 Track 00 Sensor Adjustment Procedure

- 2.6.2.1 Loosen the retaining screw on the base of the Track 00 bracket.
- 2.6.2.2 Retighten the retaining screw slightly to provide some friction on the bracket.
- 2.6.2.3 Rotate the Track 00 adjustment screw, located at the rear of the chassis, counterclockwise as far as it will go without forcing it.
- 2.6.2.4 Step the carriage back to Track 01 from the radial alignment track, taking care not to restore it back to Track 00.
- 2.6.2.5 Rotate the Track 00 adjustment screw clockwise, very slowly, until the signal at IC4B, Pin 9, is at least 2.5 volts at Track 01 and less than 0.8 volt at Track 02.
- 2.6.2.6 Retighten the retaining screw.
- 2.6.2.7 Repeat Steps 2.6.1.5 through 2.6.1.14 to ensure that the correct setting has been attained.

SECTION 3

OPERATION

INTRODUCTION

This section contains information on how to unpack, check out, install, and operate the TM100-1 and TM100-2 drives.

3.1 UNPACKING THE DRIVE

The drives are packaged in protective containers to minimize the possibility of damage during shipment. The following list is the recommended procedure for unpacking the drive.

1. Place the container on a flat work surface.
2. Remove the upper half of the container.
3. Remove the drive from the lower half of the container.
4. Check the contents of the container against the packing slip.
5. Investigate the contents of the container for possible damage.
6. Notify the carrier immediately if any damage is found.

3.2 PREINSTALLATION CHECKOUT

Before applying power to the drive, the following inspection should be conducted:

1. Check to ensure the front latch opens and closes.
2. When the latch is moved to an open position, the head arm raises.

3. Remove the cardboard shipping insert, and retain for future shipment.
4. Ensure the front panel is secure.
5. Ensure the drive belt is in place.
6. Manually rotate the drive hub. It should rotate freely.
7. Ensure both circuit boards are secure.
8. Ensure the connectors are firmly seated.

3.3 MOUNTING THE DRIVE

The drive has been designed to be mounted horizontally or vertically. When mounted horizontally, the logic circuit board side of the drive must be the top side.

Four 6-32 tapped mounting holes are provided on the bottom of the drive, and two 6-32 tapped mounting holes on each side, for attachment to user-supplied mounting brackets. When installed in either plane, horizontal or vertical, only two mounting screws are required to securely hold the drive in place.

Any mounting scheme in which the drive is part of the structural integrity of the enclosure is not permitted. Mounting schemes should allow for adjustable brackets or incorporate resilient members to accommodate tolerances. In addition, it is recommended that mounting schemes include no more than two mounting surfaces.

The drive is manufactured and tested with some critical internal alignments that must be maintained. Hence, it is important that the mounting hardware not introduce significant stress on the chassis.

DUST COVER

The design of an enclosure should incorporate a means to prevent contamination from loose items, e.g., dust, lint, and paper chad, since the drive does not have a dust cover.

COOLING

Heat dissipation from a single drive is normally 15 watts, 51 BTU per hour, under high load conditions. When the drive is mounted so the components have access to a free flow of air, normal convection cooling allows operation within the specified temperature range.

When the drive is mounted in a confined environment, air flow must be provided to maintain specified air temperatures in the vicinity of the motors, printed circuit board, and diskettes.

When forced air is used, air flow must be directed outward from the drive. Do not intake air through the drive or heads and diskettes.

3.4 INTERFACE CONNECTIONS

Interface connections for the TM100-1 and TM100-2 are made via a user-supplied, thirty-four pin, flat ribbon connector, 3M Part Number 3463-0001 or Amp Part Number 583717-5, using contact Part Number 1-583616-1 for twisted pair or its equivalent. This connector mates directly with the circuit board connector at the rear of the drive. The D. C. power connector is a four-pin connector at the rear of the drive. The interface description of the connectors, and the location of each one, is contained in this section. Interface lines are located in Table 3-1. D. C. power connector pin assignments are located in Table 3-2.

The signal wire harness should be of the flat ribbon or twisted pair type, 26-to-28 gauge conductor, compatible with the connector to be used. The recommended cable length is ten feet maximum.

**TABLE 3-1
DRIVE INTERFACE LINES
AND PIN ASSIGNMENTS**

Input Control Lines: Controller-To-Disk Drive			
Ground	Pin	Signal	
	1	2	Connector Clamp
	3	4	Spare
	5	6	Drive Select 3
	9	10	Drive Select 0
	11	12	Drive Select 1
	13	14	Drive Select 2
	15	16	Motor On
	17	18	Direction Select
	19	20	Step
	21	22	Composite Write Data
	23	24	Write Enable
	31	32	Side Select
Output Control Lines: Disk Drive-To-Controller			
Ground	Pin	Signal	
	7	8	Index/Sector
	25	26	Track 0
	27	28	Write Protect
	29	30	Composite Read Data
	33	34	Spare

INPUT CONTROL LINES

DRIVE SELECT LINES

The Drive Select lines provide a means of selecting and deselecting a drive. These four lines select one of the four drives attached to the controller.

When the signal logic level is true (low), the drive electronics are activated, and the drive is conditioned to respond to Step or Read/Write commands. A Drive Select line must remain stable in the true (low) state until a Step or

Read/Write command is completed. When the signal line logic level is false (high), the input control lines and output status lines are disabled.

The drive address is determined by a jumper select on the logic circuit board. Drive Select lines 0 through 3 provide a means of daisy chaining a maximum of four drives to a controller. Only one can be true (low) at a time. An undefined operation results if two or more drives are assigned the same address or if two or more Drive Select lines are in the true (low) state simultaneously.

MOTOR ON

When this signal is true (low), the drive motor accelerates to its nominal speed of 300 RPM, and stabilizes at this speed in less than 250 milliseconds. When the signal line logic level goes false (high), the drive decelerates to a stop. This signal is not gated with Drive Select.

The motor activates momentarily when the front latch is closed. This motor start function remains active for approximately five seconds, unless Motor On is in the true (low) condition.

DIRECTION SELECT AND STEP LINES (TWO LINES)

When the drive is selected, a true (low) pulse on the Step line, with a time duration greater than 200 nanoseconds, initiates the access motion. The direction of motion is determined by the logic state of the Direction Select line when a step pulse is issued. The motion is toward the center of the disk if the Direction Select line is in the true (low) state. The direction of motion is away from the center of the disk if the Direction Select line is in the false (high) state.

To ensure proper positioning, the Direction Select line should be stable at least 100 nanoseconds prior to issuing a corresponding step pulse, and remain true (low) 100 nanoseconds after it.

The access motion is initiated on the trailing edge of the step pulse. The time period between consecutive trailing edges of step pulses should be not less than five milliseconds.

The drive electronics ignore step pulses when one of three conditions exists:

1. The write enable is true (low).
2. The direction select is false (high), and the head is positioned at Track 0.
3. The drive is not selected.

COMPOSITE WRITE DATA

When the drive is selected, this interface line provides the bit serial composite write data pulses that control the switching of the write current in the selected head. The write electronics must be conditioned for writing by the Write Enable line.

For each high-to-low transition on the Composite Write Data line, a flux change is produced at the write head gap. This causes a flux change to be recorded on the media.

When a single-density (FM) type encoding technique is used in which data and clock form the combined Write Data signal, it is recommended that the repetition of the high-to-low transitions, while writing all zeros, be equal to one-half the maximum data rate, 125 kilohertz ± 0.1 percent, and the repetition of the high-to-low transitions, when writing all ones, be equal to the maximum data rate, 250 kilohertz ± 0.1 percent.

Host controllers may implement write precompensation circuits that recognize worst case patterns and adjust the write data waveform. Although a value cannot be specified for write precompensation, Tandon suggests a value of 250 nanoseconds for systems using MFM double density recording format.

WRITE ENABLE

When this signal is true (low), the write electronics are prepared for writing data and the read electronics are disabled. This signal turns on write current in the selected read/write head. Data is written under the control of the Composite Write Data and Side Select input lines. When the Write Enable line is false (high), all write electronics are disabled.

When a write protected diskette is installed in a drive, the write electronics are disabled, irrespective of the state of the Write Enable or Side Select lines.

SIDE SELECT, TM100-2

The Side Select interface line defines which side of a two-sided diskette is used for data transfer.

A false (high) level on this line selects the read/write head on side zero, the lower head, of the drive. A true (low) level on this line selects the read/write head on side one, the upper head of the drive.

OUTPUT CONTROL LINES

INDEX/SECTOR

The index/sector signal is a composite of the index pulse and sector signals.

An index pulse is provided once every revolution, 200 milliseconds nominal, to indicate the beginning of a track to the controller. The leading edge of this signal must always be used to ensure timing accuracy. The index/sector line remains in the true (low) state for the duration of the index pulse, which is nominally four milliseconds.

The sector signal portion appears only when using hard sectored diskettes.

TRACK 0

When the drive is selected, the Track 0 interface signal, when true (low), indicates to the controller that the read/write head(s) are positioned at Track 0. This signal remains true (low) until the heads are moved from Track 0.

WRITE PROTECT

When the Write Protect line goes true (low), the diskette is write protected and the write electronics are disabled. It is recommended the controller not issue a Write command when the Write Protect signal is true (low).

When the Write Protect line is false (high), the write electronics can be enabled.

COMPOSITE READ DATA

This interface line transmits the readback data to the controller when the drive is selected. It provides a pulse for each flux transition detected from the diskette. The Composite Read Data output line goes true (low) for a duration of 1 ± 0.25 microseconds for each flux change detected from the diskette.

The leading edge of the Composite Read Data output pulse represents the true position of the flux transitions on the diskette's surface.

TYPICAL INTERFACE CHARACTERISTICS

Lines between the controller and the drive have the following characteristics:

$$\begin{aligned} V_{\text{out True}} &= +0.4 \text{ volt maximum at } I_{\text{out}} \\ &= 48 \text{ milliamperes, maximum} \end{aligned}$$

$$\begin{aligned} V_{\text{out False}} &= +2.4 \text{ volts minimum open} \\ &\text{collector at } I_{\text{out}} = 250 \\ &\text{microamperes, maximum} \end{aligned}$$

Figure 3-1 contains the characteristics of the electrical interface. Figure 3-2 contains the control and data timing requirements.

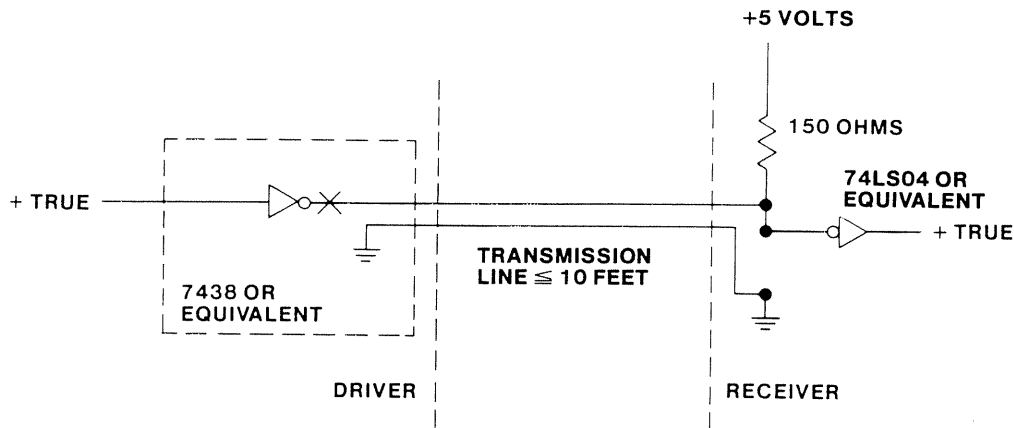


FIGURE 3-1
ELECTRICAL INTERFACE CHARACTERISTICS

3.5 D. C. POWER

D. C. power is supplied to the drive via a four-pin AMP connector, J2, mounted on the circuit board. The mating connector, not supplied, is AMP Part Number 1-480424-0, using AMP contact Part Number 606191-1. Pin assignments are found in Table 3-2. The conductor should be 16-to-18 AWG, minimum.

TABLE 3-2 D. C. POWER CONNECTOR PIN ASSIGNMENTS	
Pin	Supply Voltage
1	+ 12 volts D. C.
2	12 volts return
3	5 volts return
4	+ 5 volts D. C.
Pin	Signal
Ground lug 3/16-inch quick disconnect	Chassis ground from controller

The chassis should be connected to earth ground to ensure proper operation. The conductor should be 16-to-18 AWG, minimum.

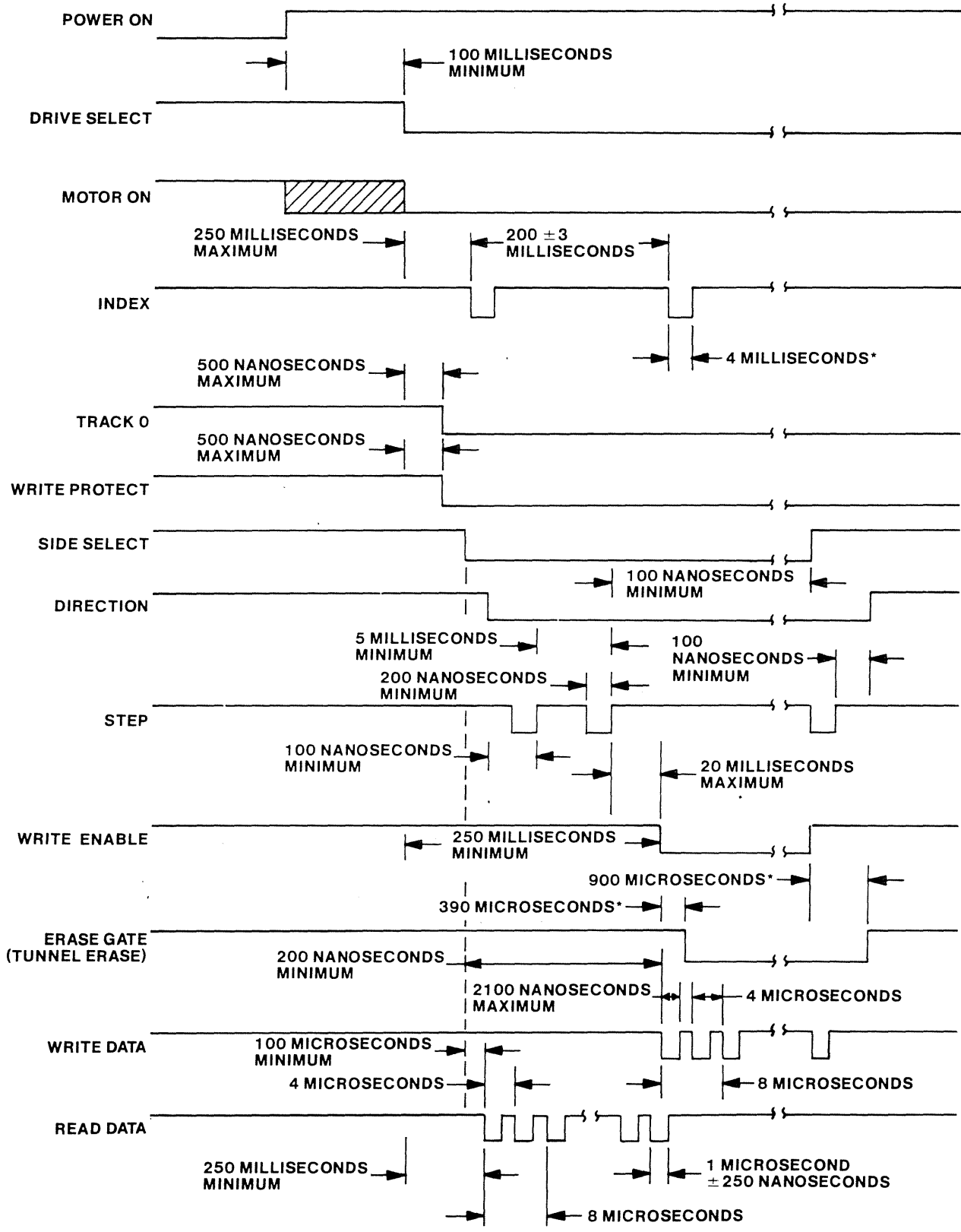
3.6 DRIVE ADDRESS AND OPTION PATCHING

The drive address and option patching is determined by the programmable shunt located at 1E on the logic circuit board. The DS0 through DS3 jumpers determine the drive address. The MX jumper is used only in single drive systems. See Figure 3-3.

The program shunt is AMP Part Number 435704-7. The shunt positions can be cut using AMP's tool, Part Number 435705. The shunt is installed in a DIP socket. At the user's option, it can be removed and replaced by a DIP switch.

DS0 THROUGH DS3 JUMPERS

When daisy chaining two or more drives to a controller, the Drive Select (DS) jumpers patch the drive select control signal to enable the logic of the proper drive. Normally, all the shunt jumpers would be cut, except for the DS jumper



*FOR REFERENCE ONLY

**FIGURE 3-2
CONTROL AND DATA TIMING REQUIREMENTS**

that addresses each individual drive in the daisy chain. The terminator resistor pack, RP1, located on the logic circuit board should be installed in the last drive of the daisy chain. All other drives on the interface must have the resistor pack removed.

MX JUMPER

The Multiplex (MX) jumper is used only in single drive systems when the user requires the drive logics to be enabled at all times. If the drive is not selected through the DS jumper, and the MX jumper is not cut, the drive logics are enabled but the front panel L.E.D. is not on. The MX jumper must be cut in a multiple drive system.

HS AND HM JUMPERS

HS and HM jumpers are not used, and must be cut.

POWER SAVE OPTION

When shipped from the factory, the drive is configured with a jumper at R51, 0 ohm resistor, for the TM100-1 and TM100-2 drives. R51 maintains 200 milliamperes of current to the stepper motor whether or not the drive is selected. Maintaining power to this motor prevents the head carriage from moving when the drive is not selected. The jumper at R51 may be moved to position R50, which removes the power to the stepper motor when the drive is not selected, for a savings of approximately 3.8 watts per drive. When R50 is used, the user must ensure the track location when the drive is reselected.

SIDE SELECT (W1)

For use in double-sided drives:

W1	SIDE SELECT
-	For use in single-sided drives, TM100-1.
X	For use in double-sided drives, TM100-2.

WRITE FLIP-FLOP CONTROL (W2, W3)

W2 and W3 control the set and preset lines of the write flip-flop, IC-5C. W2 is installed for the standard configuration, W3 is for special use.

W2	W3	WRITE FLIP-FLOP CONTROL
X	-	Disables set and preset lines on the write flip-flop only during internal N Write.
-	X	Disables set and preset lines on the write flip-flop continuously.

WRITE PROTECT CONTROL (W4, W5)

Write Protect Control from the write protect switch is disabled with W5 installed. Standard Write Protect Control is enabled with W4 installed.

W4	W5	WRITE PROTECT CONTROL
X	-	Write Protect Control responds to a write protected diskette.
-	X	Write Protect Control is inhibited.

ACTIVITY L.E.D. CONTROL (W6, W7, W9)

The Activity L.E.D. may be illuminated by an optional input line, J1-4 (N In Use). Normally, the Activity L.E.D. is controlled with Drive Select, W6 installed.

W6	W7	W9	ACTIVITY L. E. D. CONTROL
X	-	-	Activity L.E.D. is controlled with Drive Select.
-	X	X	Activity L.E.D. is controlled with N In Use, J1-4.

DRIVE SELECT 3 ENABLE (W8)

Removal of this jumper allows interface J1-6 to be used as an alternate input/output line. W8 is normally installed.

W8	DRIVE SELECT 3 ENABLE
X	Allows drive to be selected via J1-6.
–	Disables Drive Select 3 line.

DOOR LOCK SOLENOID (W10)

This jumper is used in conjunction with an optional door lock solenoid. The W10 jumper is normally not installed.

W10	DOOR LOCK SOLENOID
X	Enables door lock solenoid via J1-2.
–	Disables door lock circuits.

3.7 DISKETTES

The TM100-1 and TM100-2 drives use an ANSI-compatible, 5-1/4-inch diskette. Diskettes are available with a single index hole or with multiple (index and sector) holes.

Diskettes with a single hole are used when soft sector format is required. Multiple hole diskettes provide sector information through the use of an index sensor and electronics.

Figure 3-4 illustrates the diskette used with the drive. This recording media is a flexible diskette enclosed in a protective jacket. The protected diskette, free to rotate within the jacket, is continuously cleaned by its soft fabric lining during normal operation.

LOADING THE DISKETTE

The drive is loaded by inserting the diskette, head aperture forward, into the front slot of the drive. Access to the diskette loading slot is obtained by opening the front latch.

The diskette should be carefully inserted until it is solidly against the back stop.

CAUTION

Damage to the center of the diskette may result if the door is closed when the diskette is not properly inserted. This prevents reliable recovery of the recorded data.

WRITE PROTECT TAB

The drive is equipped with a write protect switch assembly. This switch operates in conjunction with a diskette that has a slot cut in the protective jacket. Figure 3-5 contains the location of the slot.

When the slot is covered with an optically opaque, self-adhesive tab, the diskette is write protected. The tab must be removed to write on the diskette. Figure 3-5 contains information on how to install a tab to cover the slot.

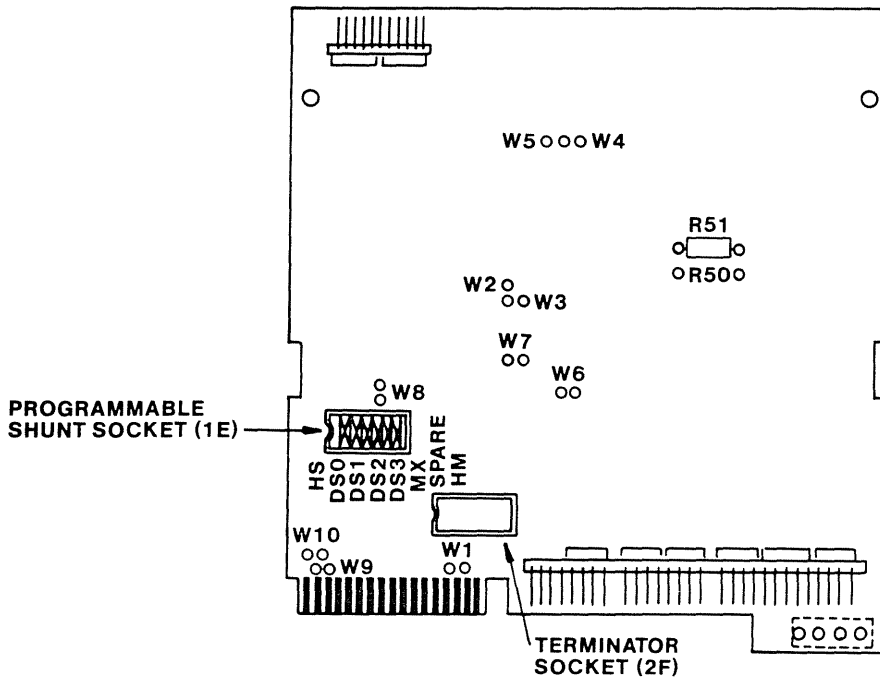
DISKETTE HANDLING AND STORAGE

It is important the diskette be handled and stored correctly so the integrity of the recorded data is maintained. A damaged or contaminated diskette can impair or prevent recovery of data, and can result in damage to the read/write head(s).

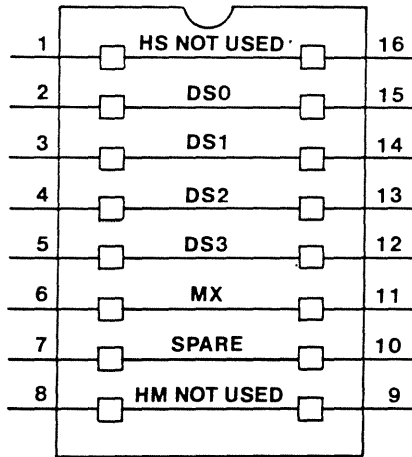
Figure 3-5 contains an illustration of the physical configuration of the diskette. The 5.125-inch diskette is oxide-coated, flexible mylar. It is enclosed in a 5-1/4-inch square protective jacket. Read/write head access is made through an aperture in the jacket. In addition, openings for the drive hub and diskette index hole are provided.

Figure 3-6 provides some helpful hints on the care and handling of the drive and diskettes. In addition, to ensure trouble-free operation and to enhance the service life of the diskette, the following handling procedures should be observed.

1. Return the diskette to the protective jacket when not in use.
2. Avoid exposing the diskette to any magnetizing force in excess of 50 oersted.



LOGIC CIRCUIT BOARD



PROGRAMMABLE SHUNT SOCKET 1E

FIGURE 3-3
LOGIC BOARD WITH PROGRAMMABLE SHUNTS AND OPTION PATCHING LOCATIONS

NOTE

The 50-oersted level magnetizing force is reached at a distance of approximately three inches from a typical source, e.g., motors, generators, or transformers.

3. To avoid warping, do not store the diskette in direct sunlight.
4. Do not use a lead pencil or a ballpoint pen to write on the label. Use a felt tipped pen, and mark lightly on the label.

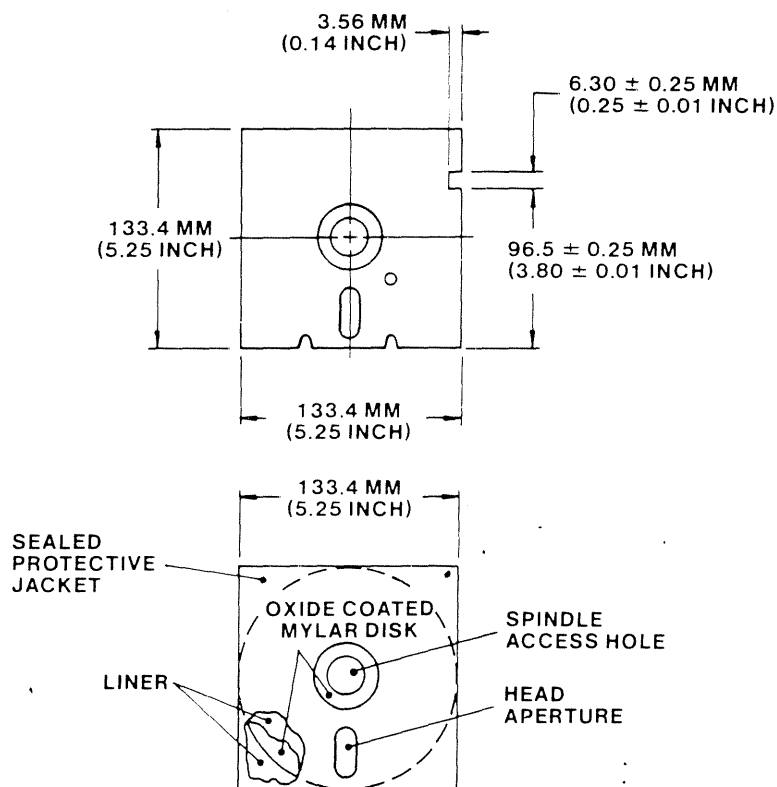


FIGURE 3-4
RECORDING MEDIA

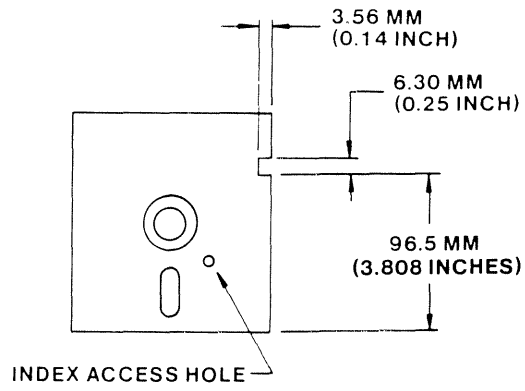
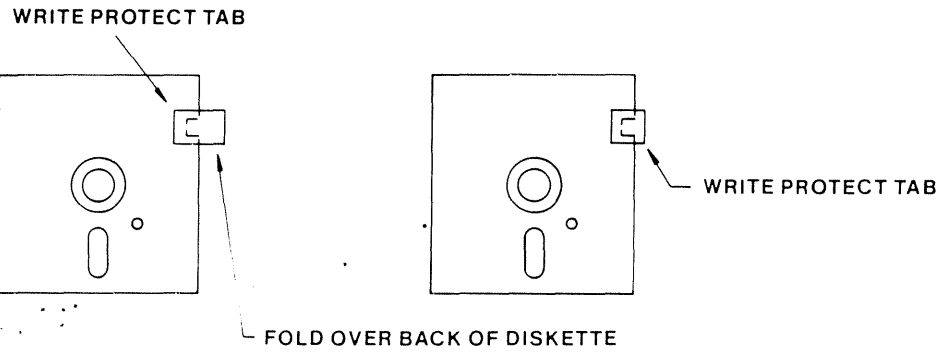
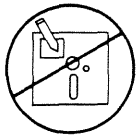
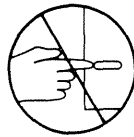


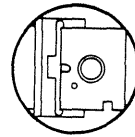
FIGURE 3-5
WRITE PROTECT TAB



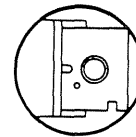
DO NOT WRITE ON THE JACKET WITH PEN OR PENCIL. USE A FELT TIPPED PEN.



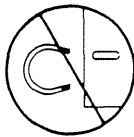
DO NOT TOUCH PRECISION SURFACE WITH YOUR FINGERS.



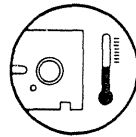
TO AVOID DAMAGE TO THE DISKETTE AND TO YOUR DRIVE, INSERT DISKETTE CAREFULLY UNTIL THE BACKSTOP IS ENCOUNTERED.



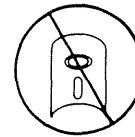
RETURN THE DISKETTE TO ITS JACKET WHEN NOT IN USE.



KEEP THE DISKETTE AWAY FROM MAGNETIC FIELDS.

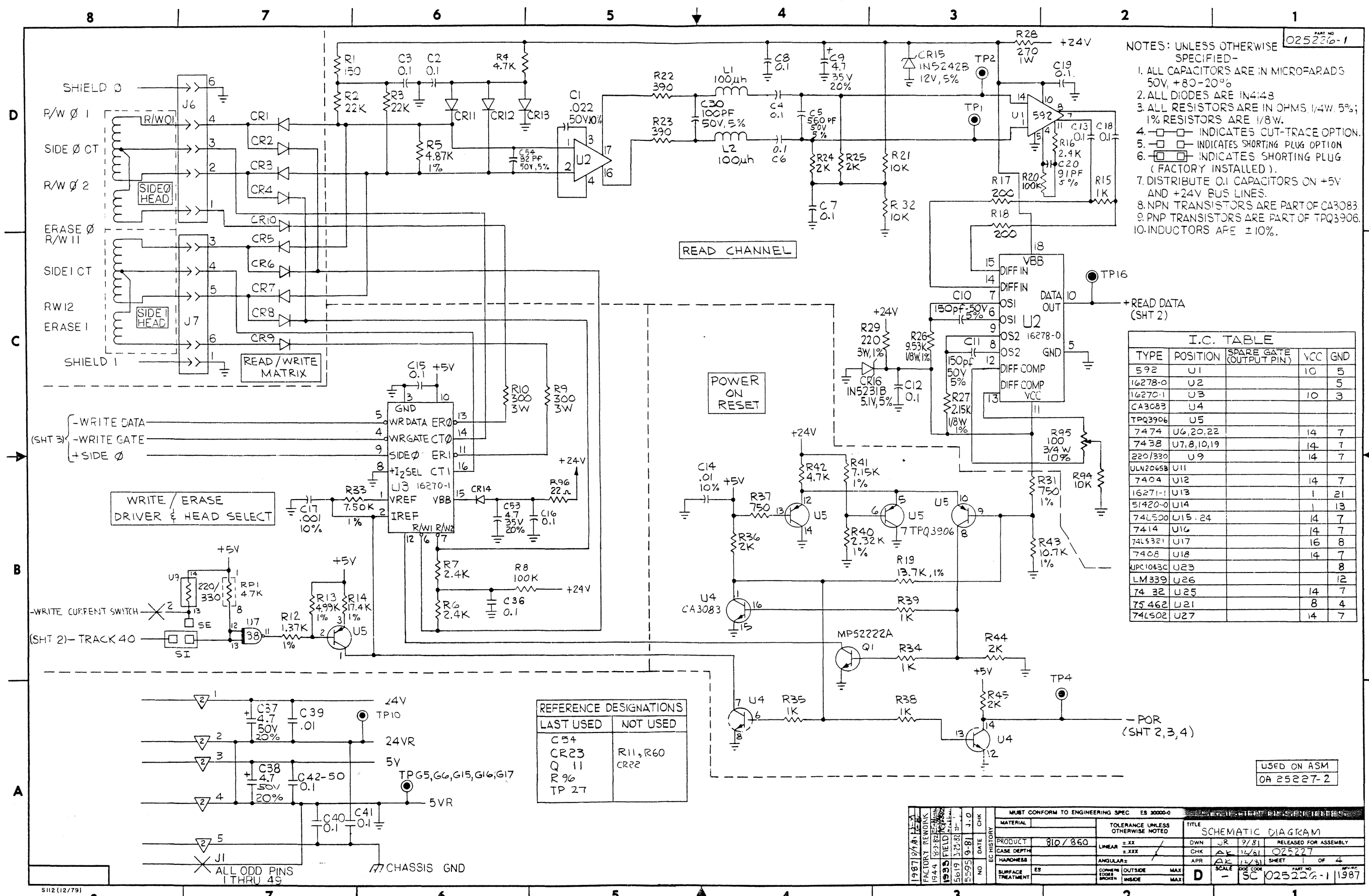


DISKETTES SHOULD BE STORED AT
10°C to 52°C
50°F to 125°F



HANDLE WITH CARE; BENDING AND FOLDING MAY DAMAGE DISKETTE.

**FIGURE 3-6
DISKETTE HANDLING AND STORAGE**



- NOTES: UNLESS OTHERWISE SPECIFIED-
1. ALL CAPACITORS ARE IN MICROFARADS 50V, +80-20%
 2. ALL DIODES ARE IN4148
 3. ALL RESISTORS ARE IN OHMS, 1/4W, 5%; 1% RESISTORS ARE 1/8W.
 4. INDICATES CUT-TRACE OPTION.
 5. INDICATES SHORTING PLUG OPTION
 6. INDICATES SHORTING PLUG (FACTORY INSTALLED).
 7. DISTRIBUTE 0.1 CAPACITORS ON +5V AND +24V BUS LINES.
 8. NPN TRANSISTORS ARE PART OF CA3083.
 9. PNP TRANSISTORS ARE PART OF TPQ3906.
 10. INDUCTORS ARE ±10%.

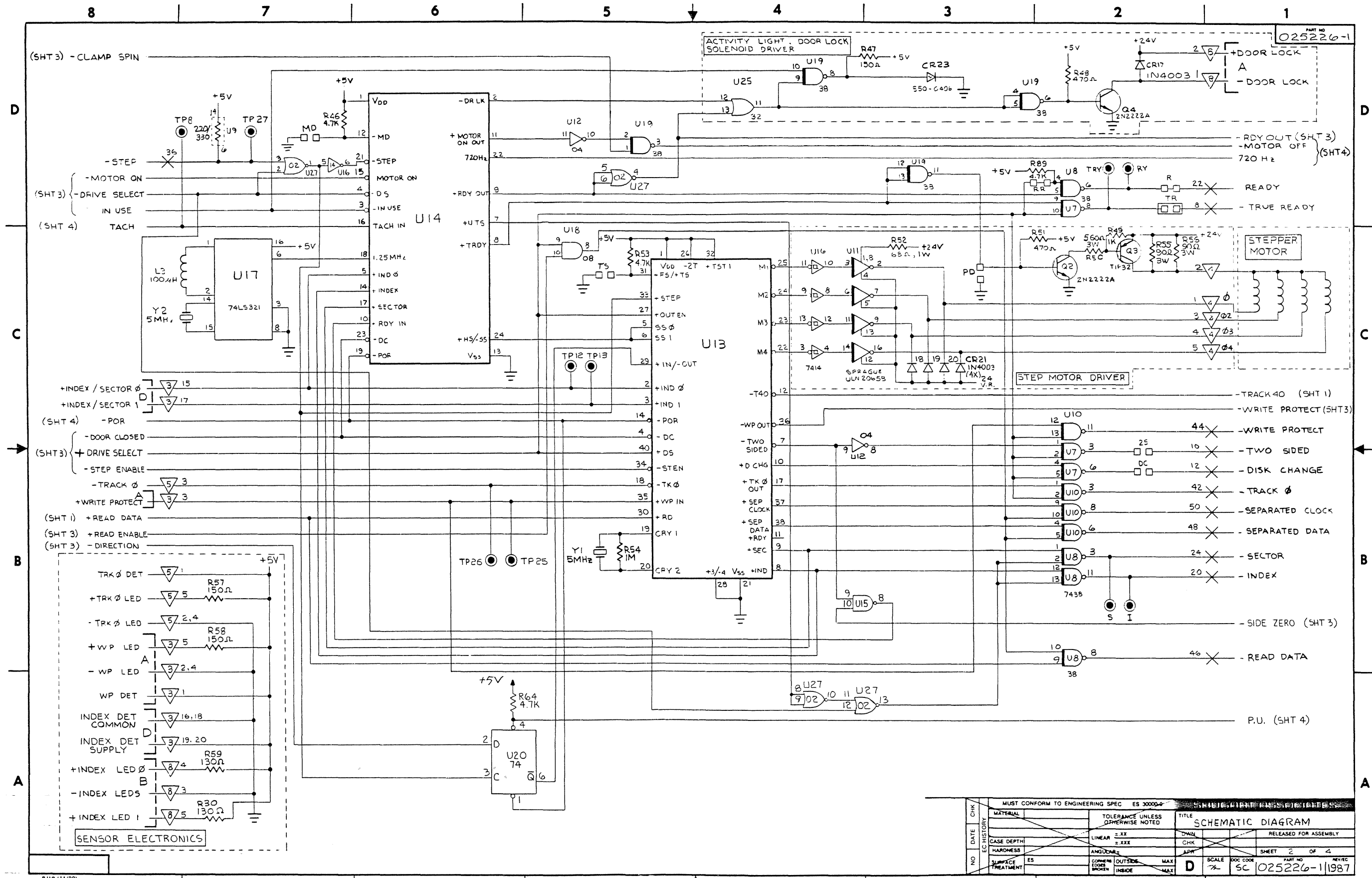
I.C. TABLE				
TYPE	POSITION	SPARE GATE (OUTPUT PIN)	VCC	GND
592	U1		10	5
16278-0	U2		10	5
16270-1	U3		10	3
CA3083	U4			
TPQ3906	U5			
7474	U6,20,22		14	7
7438	U7,8,10,19		14	7
220/330	U9		14	7
ULN2065B	U11			
7404	U12		14	7
16271-1	U13		1	21
51420-0	U14		1	13
74LS00	U15,24		14	7
7414	U16		14	7
74LS321	U17		16	8
7408	U18		14	7
JPC1043C	U23			8
LM339	U26			12
7432	U25		14	7
75462	U21		8	4
74LS02	U27		14	7

REFERENCE DESIGNATIONS	
LAST USED	NOT USED
C34	R11, R60
CR23	CR22
Q11	
R96	
TP27	

USED ON ASM
0A 25227-2

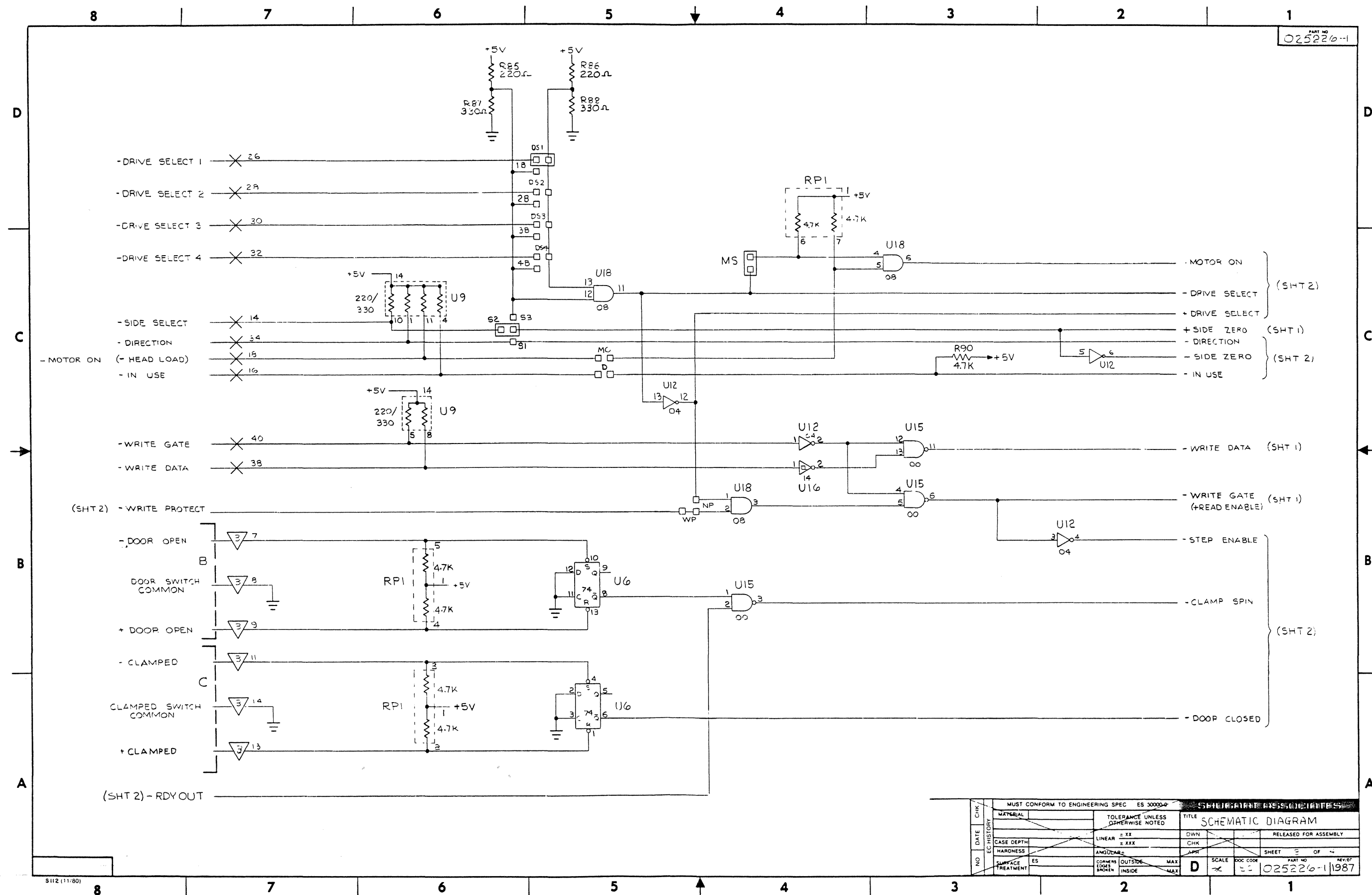
MATERIAL		TOLERANCE UNLESS OTHERWISE NOTED		TITLE	
1987/8/1	1987/8/1	LINEAR	±.XX	SCHEMATIC DIAGRAM	9/81
1987/8/1	1987/8/1	CASE DEPTH	±.XXX	RELEASED FOR ASSEMBLY	12/81
1987/8/1	1987/8/1	HARDNESS	APR	AK	12/81
1987/8/1	1987/8/1	SURFACE TREATMENT	ES	SCALE	1/8" = 1"
1987/8/1		MUST CONFORM TO ENGINEERING SPEC ES 30000-0		PART NO 025227-1 11987	

FIGURE 6-1. SCHEMATIC DIAGRAM, PCB 25227 (SHEET 1 OF 4)



MUST CONFORM TO ENGINEERING SPEC ES 30000-6				TITLE SCHEMATIC DIAGRAM			
NO	DATE	CHK	EC HISTORY	MATERIAL	TOLERANCE UNLESS OTHERWISE NOTED	TITLE	RELEASED FOR ASSEMBLY
				CASE DEPTH	LINEAR ±.XXX	CHK	
				HARDNESS	ANGULAR ±.XXX	CHK	
				SURFACE TREATMENT	ES	SCALE	SHEET 2 OF 4
					OUTSIDE MAX	DOC CODE	PART NO
					INSIDE MAX	SC	025226-1 1987

FIGURE 6-1. SCHEMATIC DIAGRAM, PCB 25227 (SHEET 2 OF 4)



DATE		CHK	MUST CONFORM TO ENGINEERING SPEC ES 3000-2		SHEET 3 OF 4	
NO	DATE	CHK	MATERIAL	TOLERANCE UNLESS OTHERWISE NOTED	TITLE	SCHEMATIC DIAGRAM
EC	HISTORY		CASE DEPTH	LINEAR ± XX	DWN	RELEASED FOR ASSEMBLY
			HARDNESS	ANGULAR ± XXX	CHK	
			SURFACE TREATMENT	ES	APR	SHEET 3 OF 4
			CORNERS BROKEN	OUTSIDE MAX	SCALE	DOC CODE
				INSIDE MAX	D	025227-11987

FIGURE 6-1. SCHEMATIC DIAGRAM, PCB 25227 (SHEET 3 OF 4)

6-7/6-8 (blank)

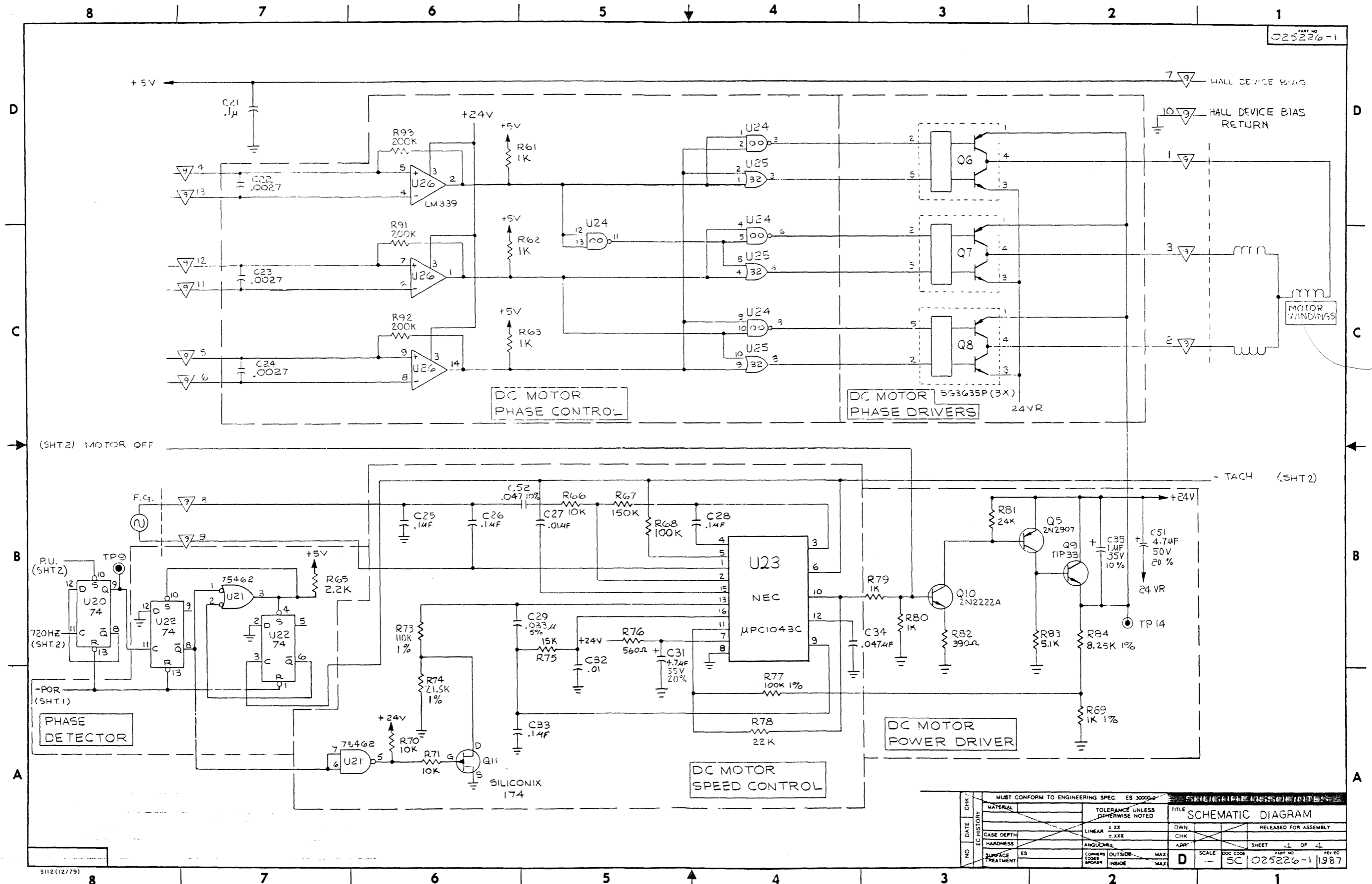
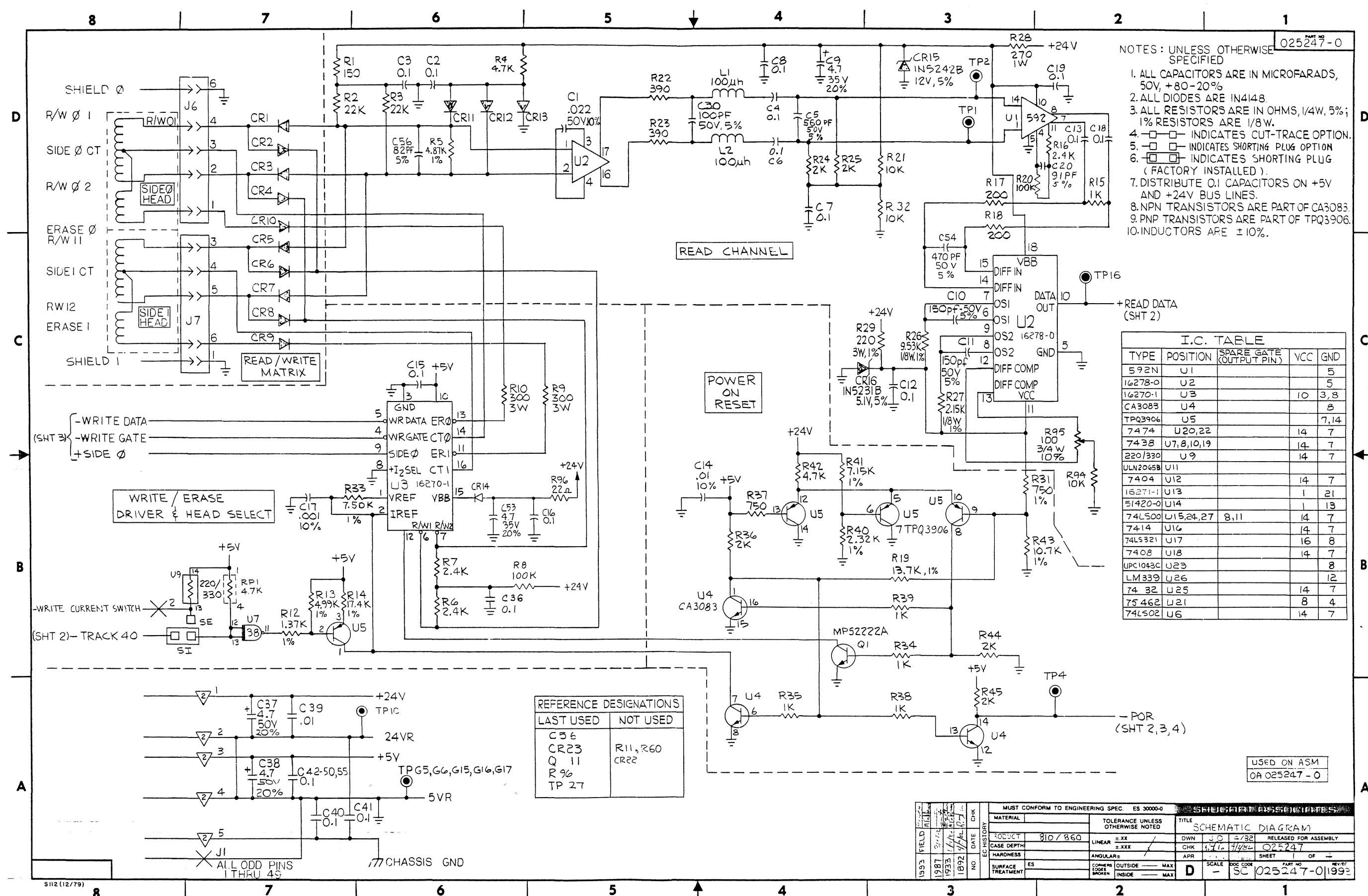


FIGURE 6-1. SCHEMATIC DIAGRAM, PCB 25227 (SHEET 4 OF 4)



- NOTES: UNLESS OTHERWISE SPECIFIED
1. ALL CAPACITORS ARE IN MICROFARADS, 50V, +80-20%
 2. ALL DIODES ARE IN4148.
 3. ALL RESISTORS ARE IN OHMS, 1/4W, 5%; 1% RESISTORS ARE 1/8W.
 4. INDICATES CUT-TRACE OPTION.
 5. INDICATES SHORTING PLUG OPTION
 6. INDICATES SHORTING PLUG. (FACTORY INSTALLED).
 7. DISTRIBUTE 0.1 CAPACITORS ON +5V AND +24V BUS LINES.
 8. NPN TRANSISTORS ARE PART OF CA3083.
 9. PNP TRANSISTORS ARE PART OF TPQ3906.
 10. INDUCTORS ARE ±10%.

I.C. TABLE				
TYPE	POSITION	SPARE GATE (OUTPUT PIN)	VCC	GND
592N	U1			5
16278-0	U2			5
16270-1	U3		10	3,8
CA3083	U4			8
TPQ3906	U5			7,14
7474	U20,22		14	7
7438	U7,8,10,19		14	7
220/330	U9		14	7
ULN2065B	U11			
7404	U12		14	7
16271-1	U13		1	21
51420-0	U14		1	13
74LS00	U15,24,27	8,11	14	7
7414	U16		14	7
74LS32	U17		16	8
7408	U18		14	7
UPC1043C	U23			8
LM339	U26			12
7432	U25		14	7
75462	U21		8	4
74LS02	U6		14	7

REFERENCE DESIGNATIONS	
LAST USED	NOT USED
C56	R11, R60
CR23	CR22
Q11	
R96	
TP27	

USED ON ASM
0A 025247-0

MUST CONFORM TO ENGINEERING SPEC. ES 30000-0				SHIBUI ELECTRONICS			
MATERIAL		TOLERANCE UNLESS OTHERWISE NOTED		TITLE			
PRODUCT	810/860	LINEAR	±.XX	SCHEMATIC DIAGRAM			
CASE DEPTH			±.XXX	DWN	J.O. 2/82	RELEASED FOR ASSEMBLY	
HARDNESS		ANGULAR		CHK	4/16/82	025247	
SURFACE TREATMENT	ES	COMMON	OUTSIDE — MAX	APR		SHEET 1 OF 4	
		EDGE	INSIDE — MAX	SCALE	300:1	PART NO	REV. REC
						SC 025247-01993	

FIGURE 6-2. SCHEMATIC DIAGRAM, PCB 25247 (SHEET 1 OF 4)

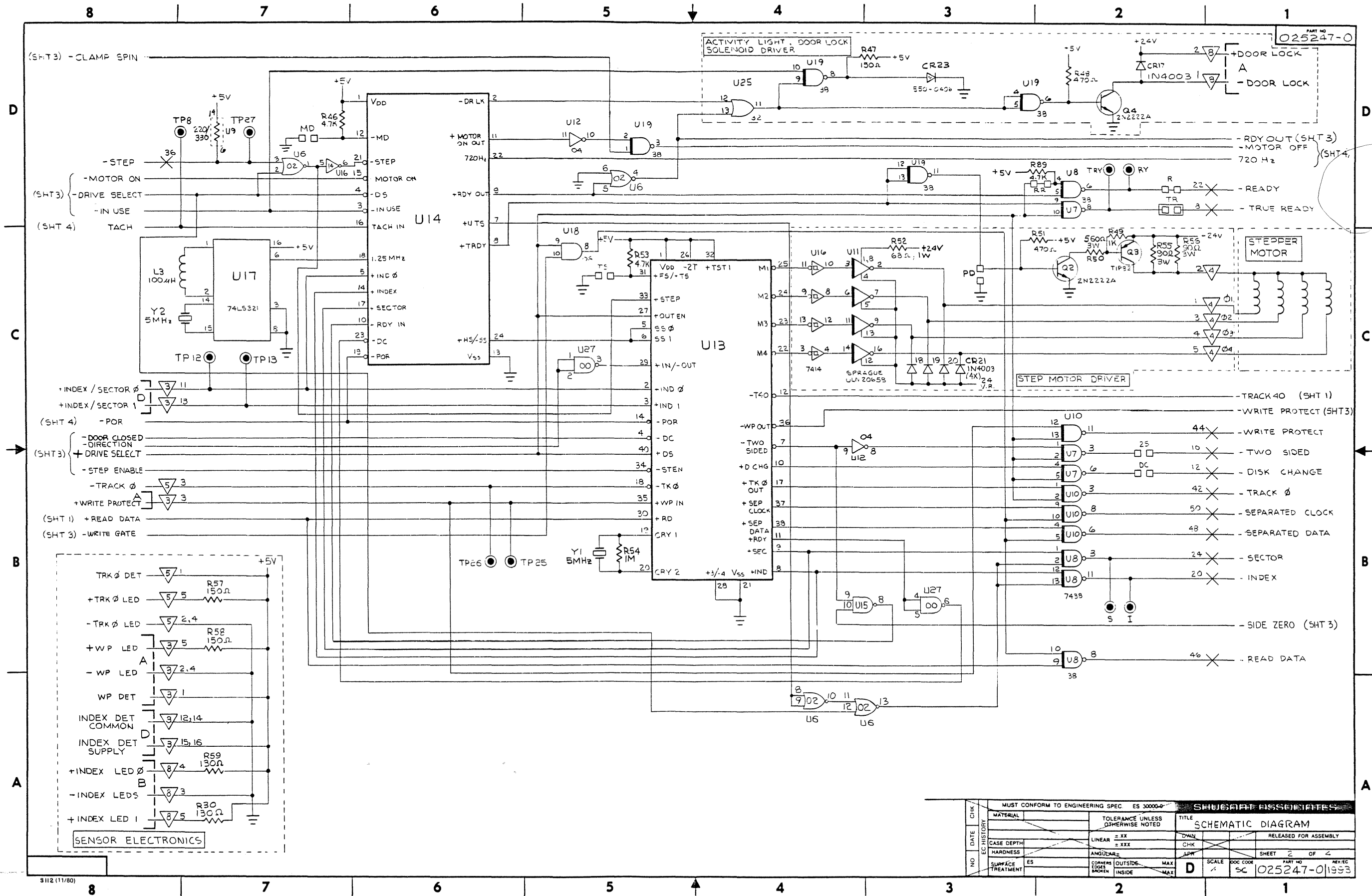
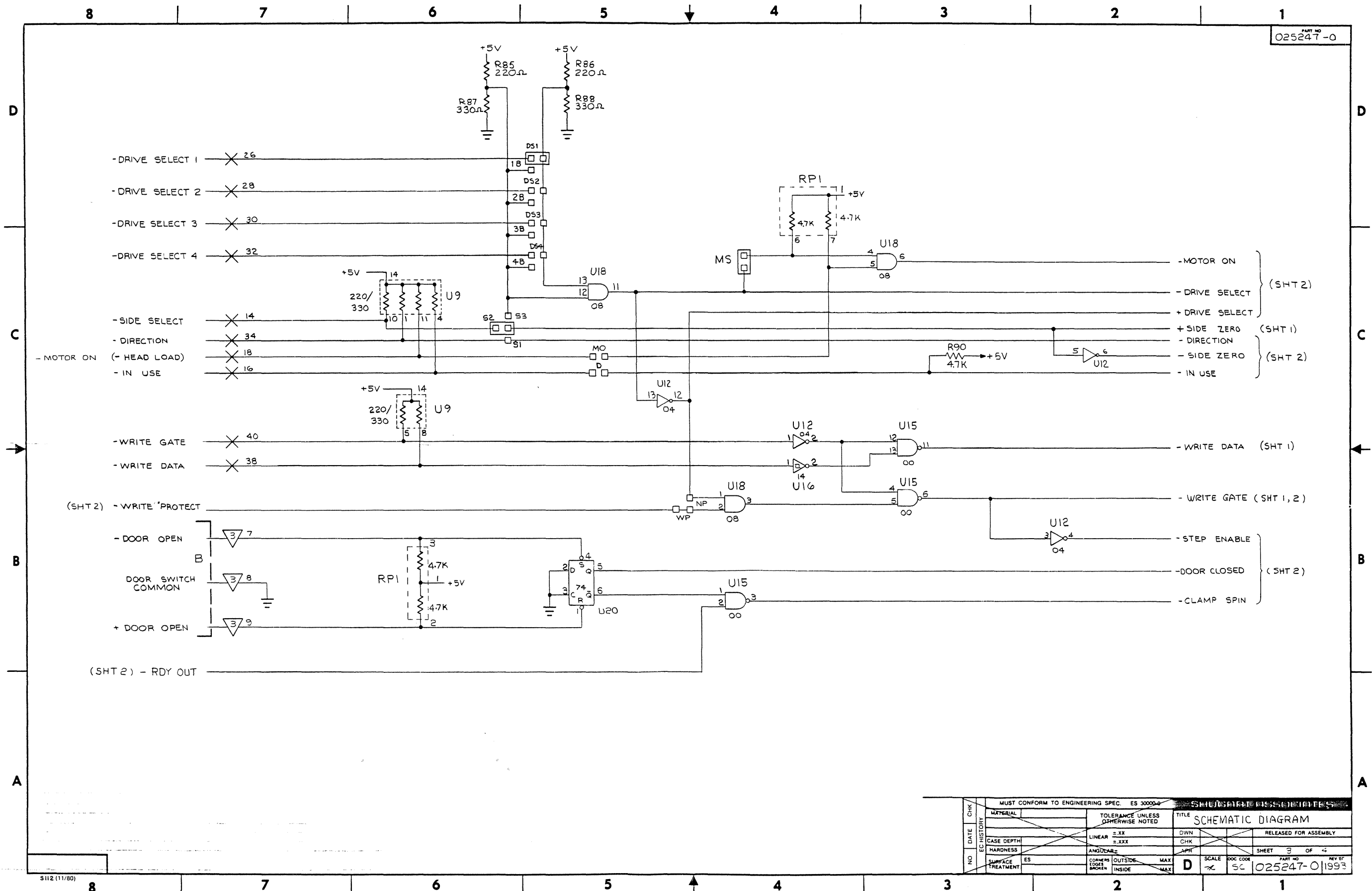


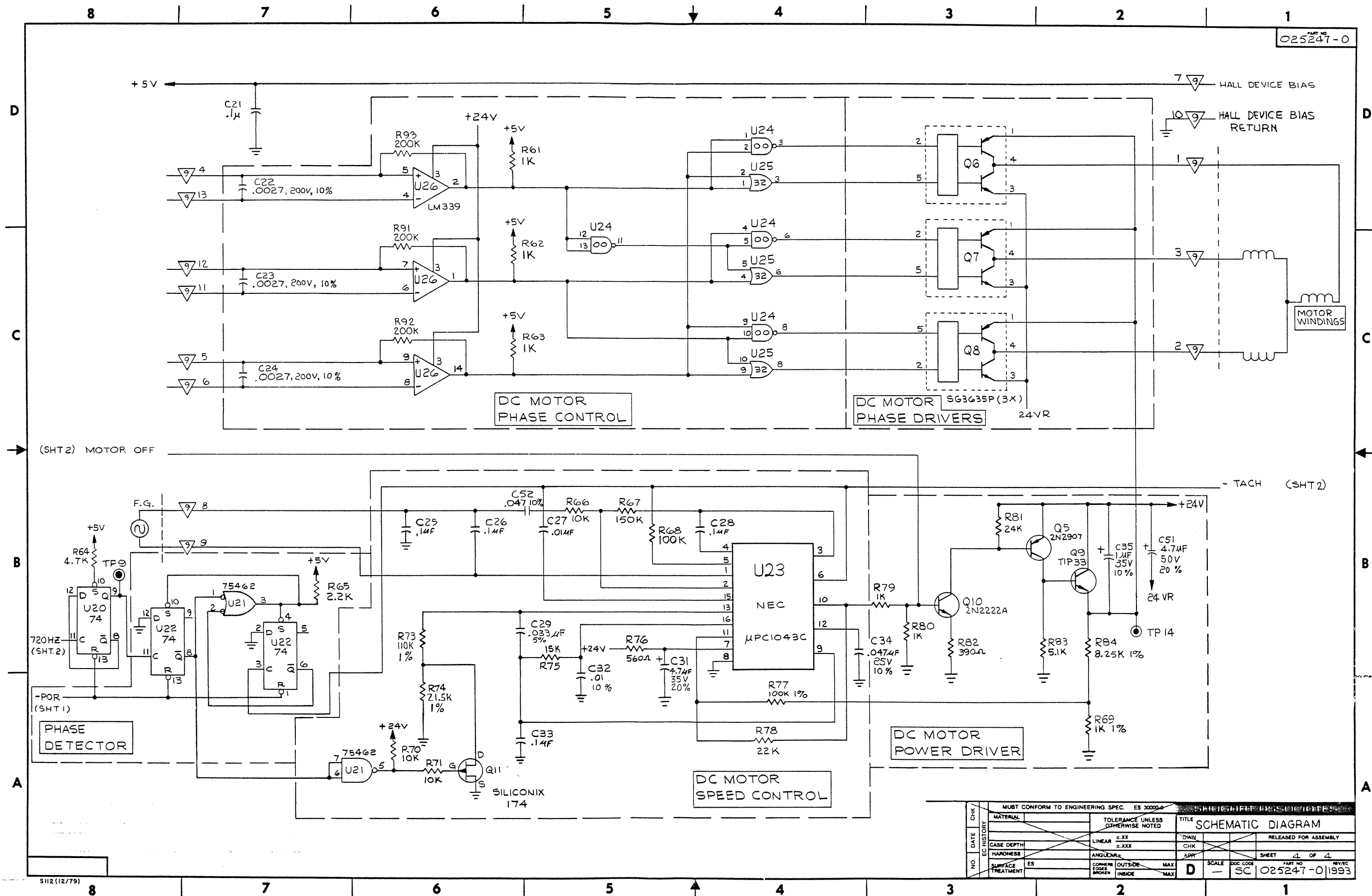
FIGURE 6-2. SCHEMATIC DIAGRAM. PCB 25247 (SHEET 2 OF 4)



PART NO
025247-0

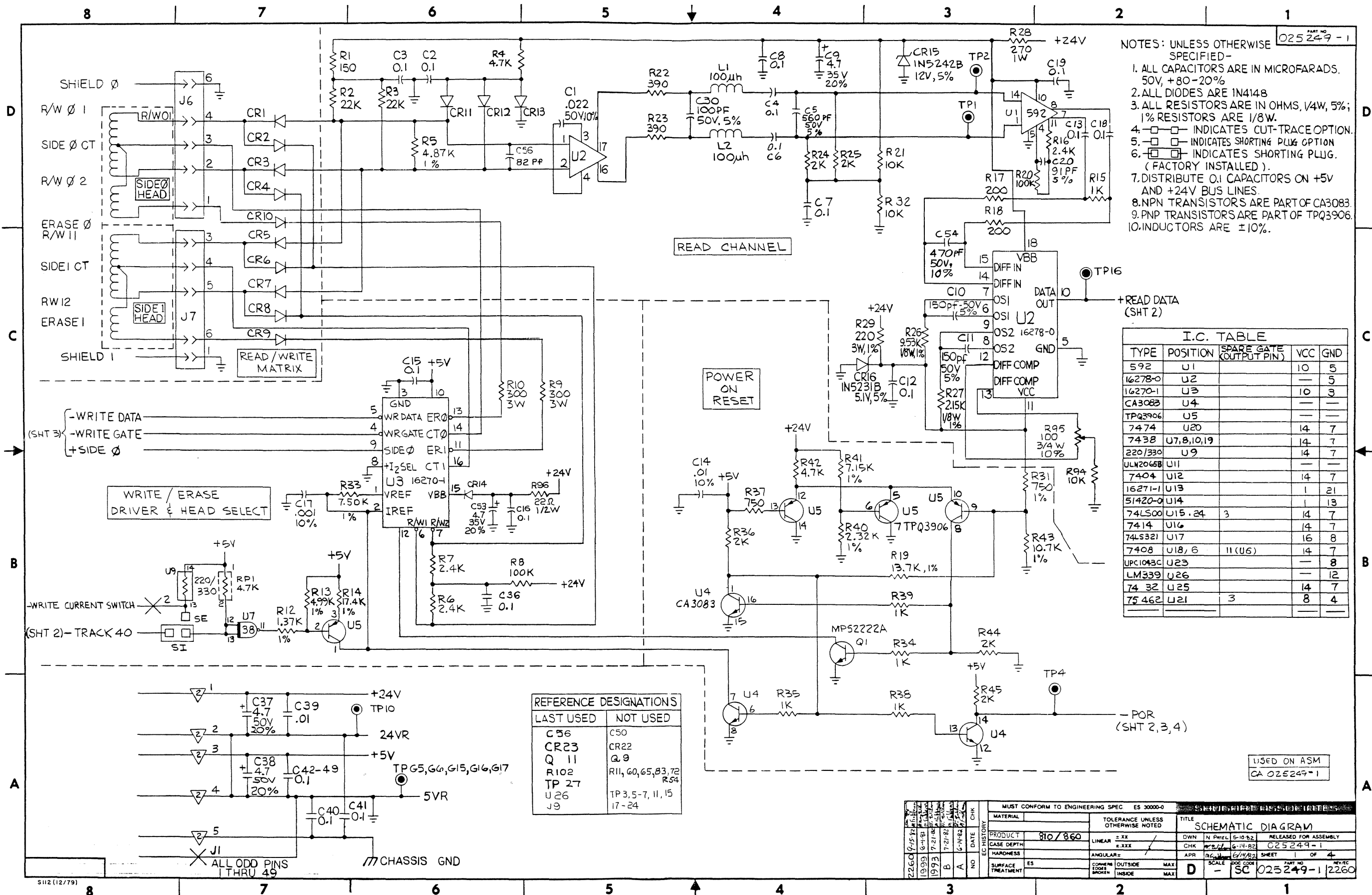
NO		DATE	CHK	MUST CONFORM TO ENGINEERING SPEC. ES 3000-0		SHELF LIFE INSTRUCTIONS	
E.C. HISTORY		MATERIAL		TOLERANCE UNLESS OTHERWISE NOTED		TITLE	
CASE DEPTH		LINEAR		HARDNESS		DWN	
SURFACE TREATMENT		ANGULAR		CORNER EDGES BROKEN		CHK	
		OUTSIDE		INSIDE		APR	
		MAX		MAX		SHEET 3 OF 4	
		D		SCALE		DOC COOD	
		SC		PART NO		REV. 1	
		025247-0		1993			

FIGURE 6-2. SCHEMATIC DIAGRAM, PCB 25247 (SHEET 3 OF 4)



MUST CONFORM TO ENGINEERING SPEC. ES 30000-0			
MATERIAL	TOLERANCE UNLESS OTHERWISE NOTED	TITLE SCHEMATIC DIAGRAM	
CASE DEPTH	LINEAR	DNW	RELEASED FOR ASSEMBLY
HARDNESS	ANGULAR	CHK	SHEET 4 OF 4
SURFACE TREATMENT	CONFORM TO SPEC	ADP	SCALE DOC CODE SHEET NO PART NO REVIS
	OUTSIDE MAX	D	SC 025247-0 1993
	INSIDE MAX		

FIGURE 6-2. SCHEMATIC DIAGRAM, PCB 25247 (SHEET 4 OF 4)



- NOTES: UNLESS OTHERWISE SPECIFIED-
1. ALL CAPACITORS ARE IN MICROFARADS. 50V, +80-20%
 2. ALL DIODES ARE IN4148
 3. ALL RESISTORS ARE IN OHMS, 1/4W, 5%; 1% RESISTORS ARE 1/8W.
 4. INDICATES CUT-TRACE OPTION.
 5. INDICATES SHORTING PLUG OPTION
 6. INDICATES SHORTING PLUG. (FACTORY INSTALLED).
 7. DISTRIBUTE 0.1 CAPACITORS ON +5V AND +24V BUS LINES.
 8. NPN TRANSISTORS ARE PART OF CA3083.
 9. PNP TRANSISTORS ARE PART OF TPQ3906.
 10. INDUCTORS ARE ±10%.

I.C. TABLE				
TYPE	POSITION	SPARE GATE (OUTPUT PIN)	VCC	GND
592	U1		10	5
16278-0	U2			5
16270-1	U3		10	3
CA3083	U4			
TPQ3906	U5			
7474	U20		14	7
7438	U7,8,10,19		14	7
220/330	U9		14	7
ULN2068B	U11			
7404	U12		14	7
16271-1	U13		1	21
51420-0	U14		1	13
74LS00	U15, 24	3	14	7
7414	U16		14	7
74LS32	U17		16	8
7408	U18, 6	11 (U6)	14	7
UPC1043C	U23			8
LM339	U26			12
7432	U25		14	7
75462	U21	3	8	4

REFERENCE DESIGNATIONS	
LAST USED	NOT USED
C56	C50
CR23	CR22
Q11	Q9
R102	R11, 60, 65, 83, 72, R54
TP27	TP3, 5-7, 11, 15
U26	U17-24
J9	

EC HISTORY		MATERIAL		TOLERANCE UNLESS OTHERWISE NOTED		TITLE	
NO	DATE	CHK	DATE	CHK	DATE	CHK	DATE
2260	9/15/82						
1999	6/11/81						
1993	7/21/80						
	7/21/80						
	6/14/82						

PRODUCT	810/860	LINEAR	±XX	DWN	N PVEL	6-10-82	RELEASED FOR ASSEMBLY
CASE DEPTH		ANGULAR	±XXX	CHK	6-14-82	025249-1	
HARDNESS		CONFORM		APR	6/14/82	SHEET 1 OF 4	
SURFACE TREATMENT	ES	CONFORM		SCALE	DOC CODE	PART NO	REV EC
		EDGES	OUTSIDE	MAX		025249-1	2260
		MORPH	INSIDE	MAX			

FIGURE 6-3. SCHEMATIC DIAGRAM, PCB 25249 (SHEET 1 OF 4)

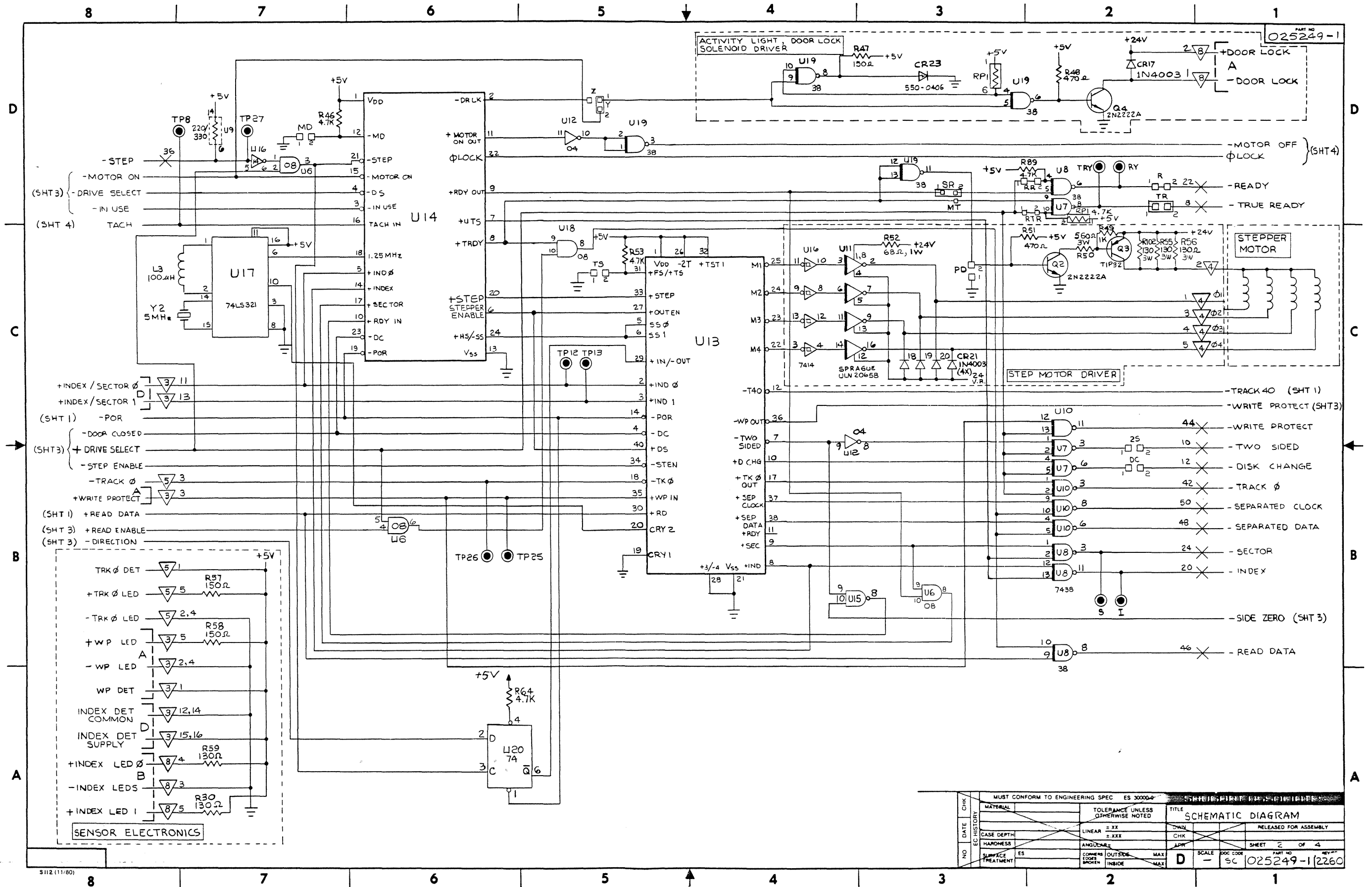
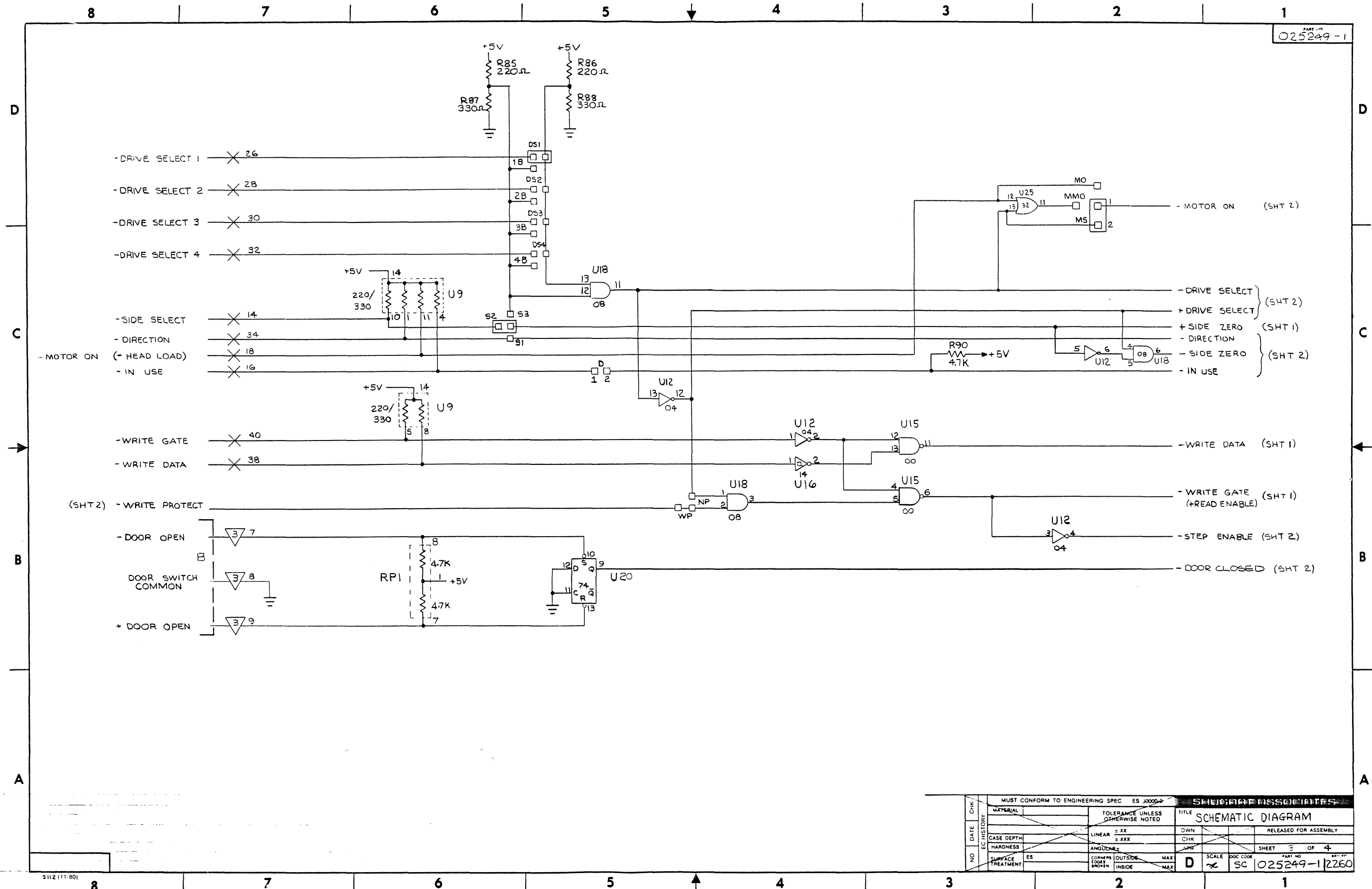
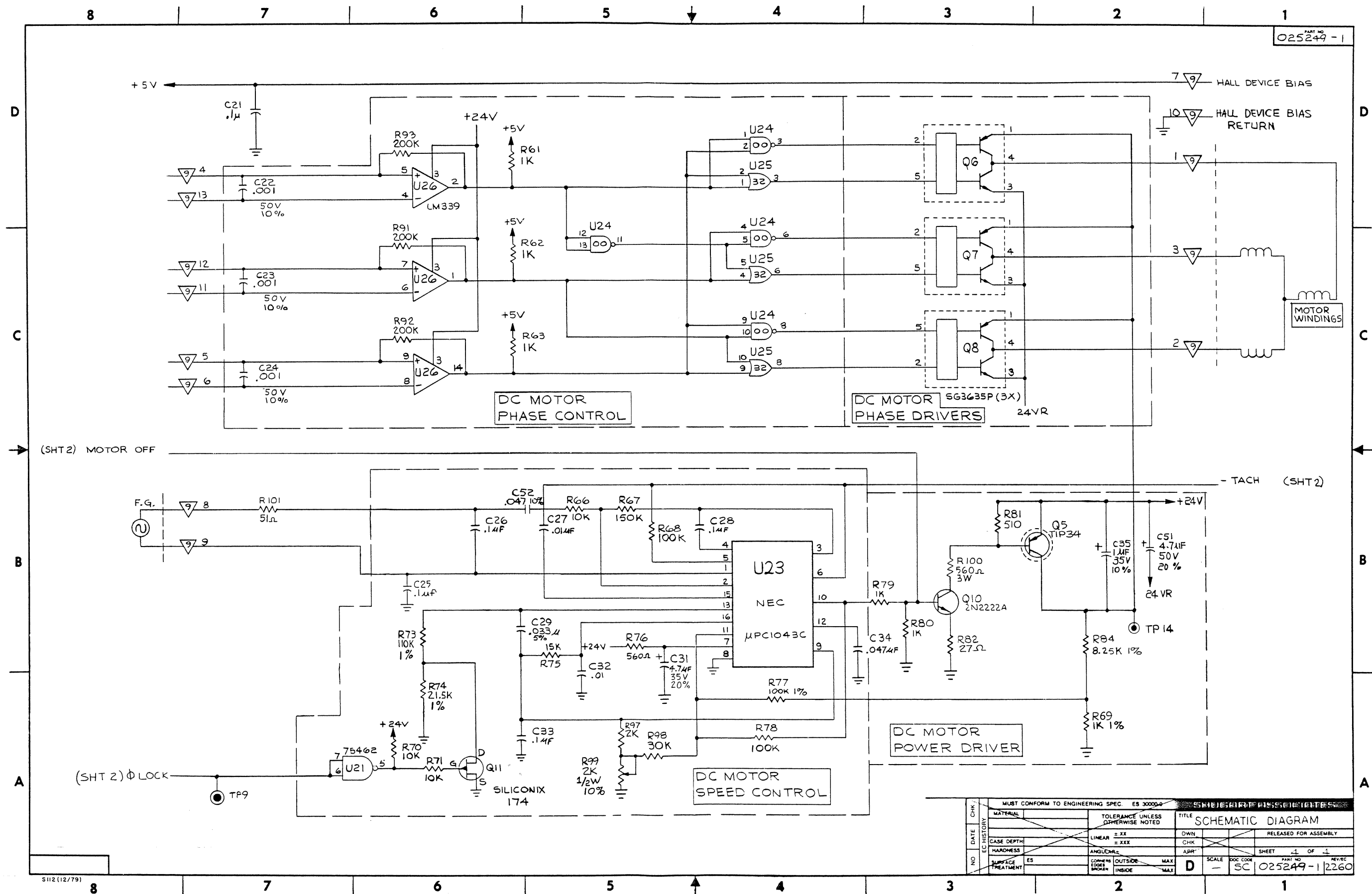


FIGURE 6-3. SCHEMATIC DIAGRAM, PCB 25249 (SHEET 2 OF 4)



MUST CONFORM TO ENGINEERING SPEC ES 30000-0		SHUANGHAI ASSOCIATES	
MATERIAL	TOLERANCE UNLESS OTHERWISE NOTED	TITLE	SCHMATIC DIAGRAM
CASE DEPTH	LINEAR = XX	DWN	RELEASED FOR ASSEMBLY
HARDNESS	ANGULAR = XXX	CHK	
SURFACE TREATMENT	ES	DATE	SHEET 3 OF 4
	CORNERS: OUTSIDE MAX, INSIDE MAX	SCALE	D
	EDGES: OUTSIDE MAX, INSIDE MAX	DOC CODE	SC
		PART NO	025249-1
		REV	2260

FIGURE 6-3. SCHEMATIC DIAGRAM, PCB 25249 (SHEET 3 OF 4)



MUST CONFORM TO ENGINEERING SPEC. ES 3000-4				SHAW-WORTH ASSOCIATES			
MATERIAL		TOLERANCE UNLESS OTHERWISE NOTED		TITLE		SCHEMATIC DIAGRAM	
DATE	CHK	LINEAR	± XX	DWN	CHK	RELEASED FOR ASSEMBLY	
EC HISTORY		HARDNESS	± XXX	APR			
NO		ANGULAR				SHEET 4 OF 4	
DATE	CHK	SURFACE TREATMENT	ES	CONFORMS TO SPEC	OUTSIDE	MAX	SCALE
					INSIDE	MAX	D
							SCALE
							DOC CODE
							SC
							PART NO
							025249-1
							REV EC
							2260

FIGURE 6-3. SCHEMATIC DIAGRAM, PCB 25249 (SHEET 4 OF 4)

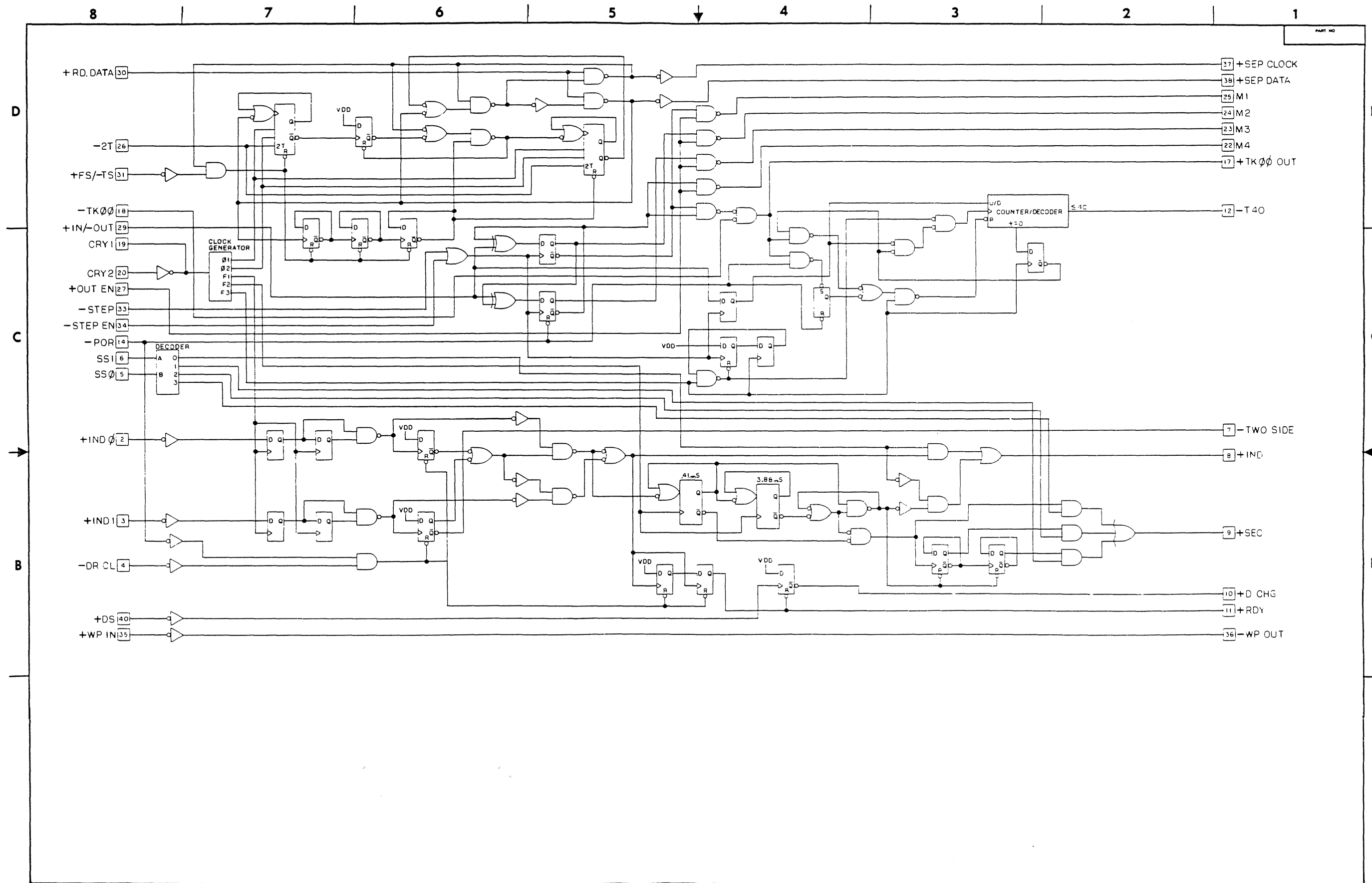
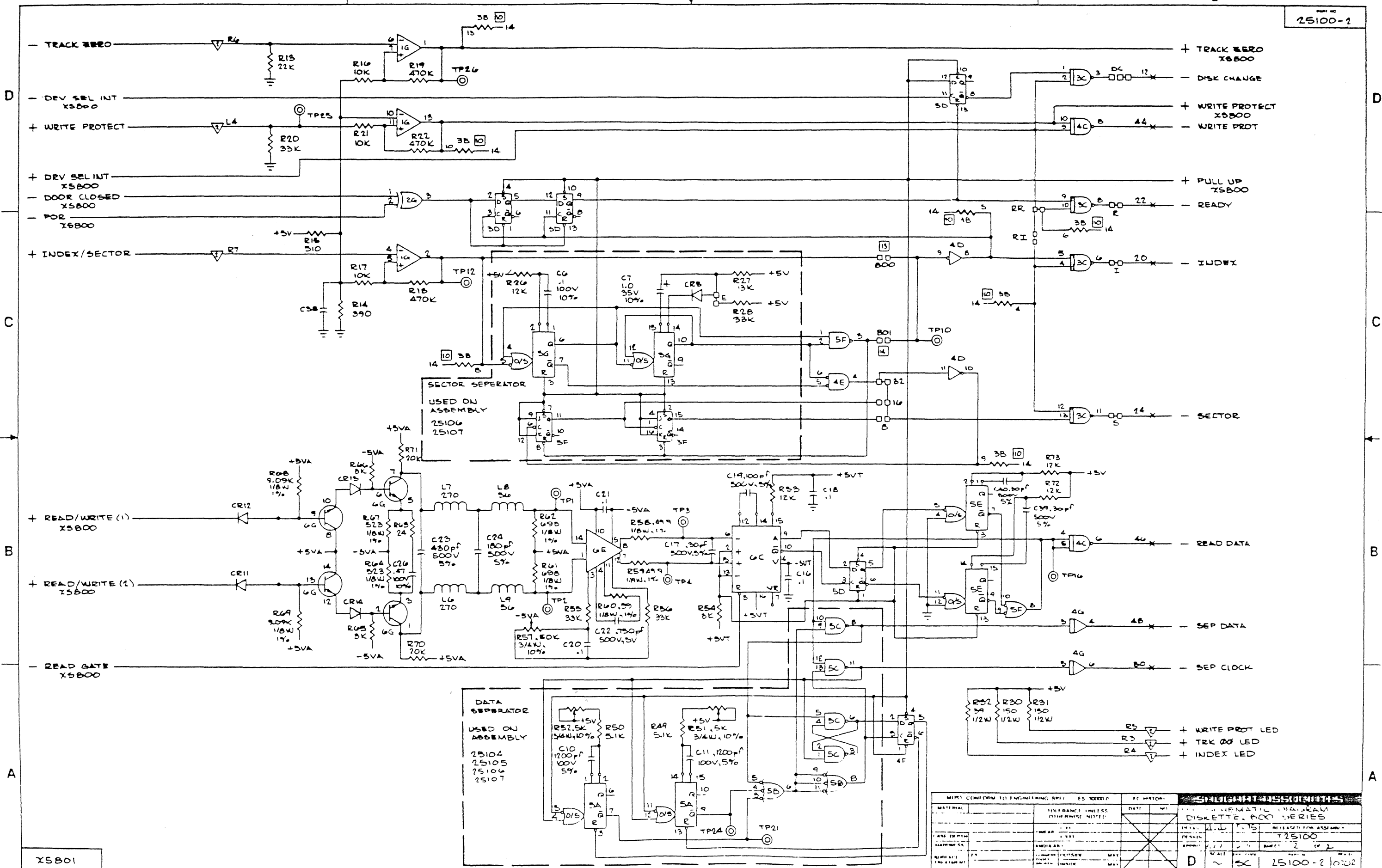
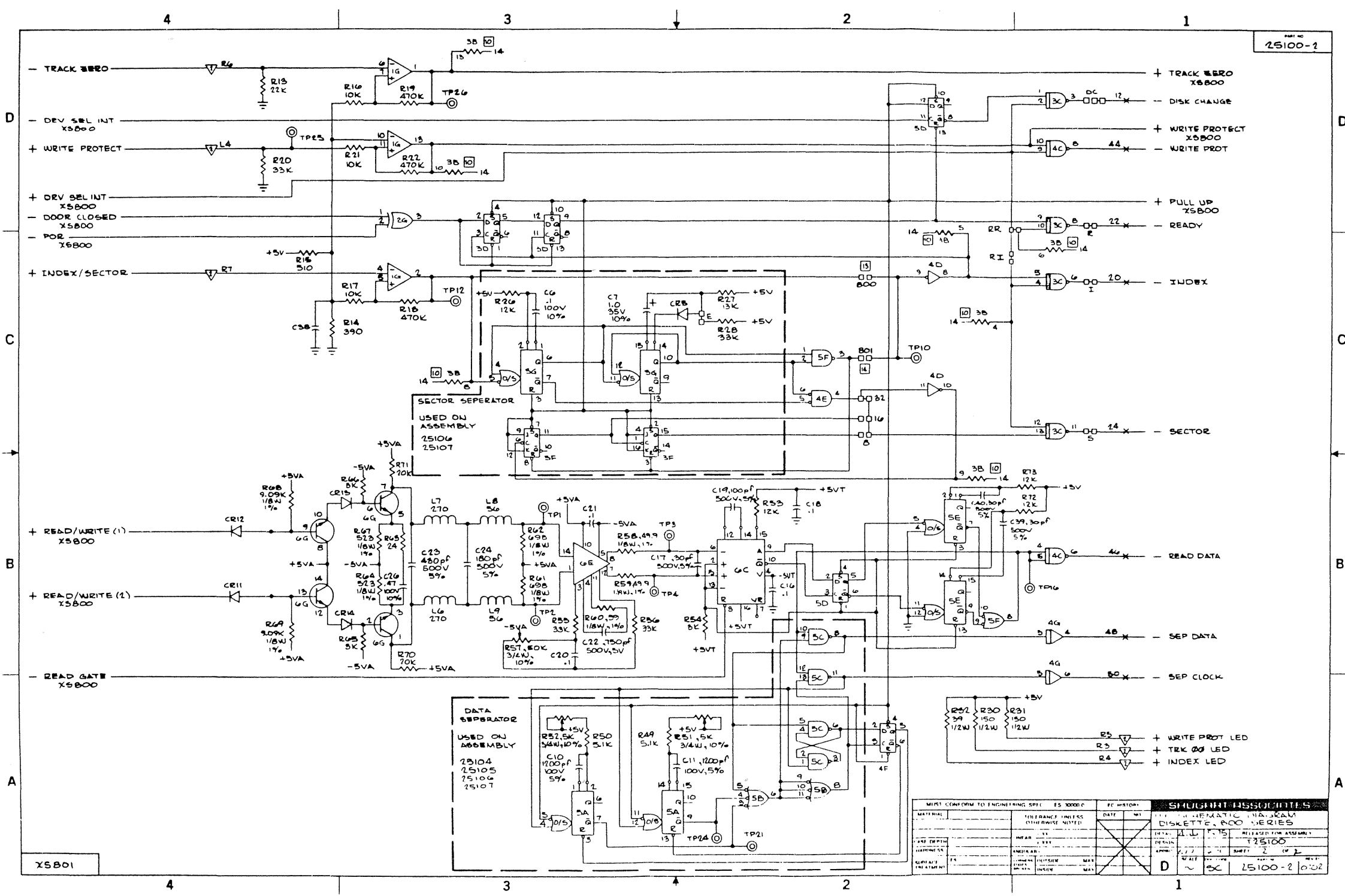


FIGURE 6-4. LOGIC EQUIVALENT,
P/N 16271-X, LOCATION U13



MATERIAL	QUANTITY	UNIT	DATE	BY
25100-2	1	PC BOARD		
DISKETTES, 800 SERIES				
1	1			
2	1			
3	1			
4	1			
5	1			
6	1			
7	1			
8	1			
9	1			
10	1			
11	1			
12	1			
13	1			
14	1			
15	1			
16	1			
17	1			
18	1			
19	1			
20	1			
21	1			
22	1			
23	1			
24	1			
25	1			

X5801

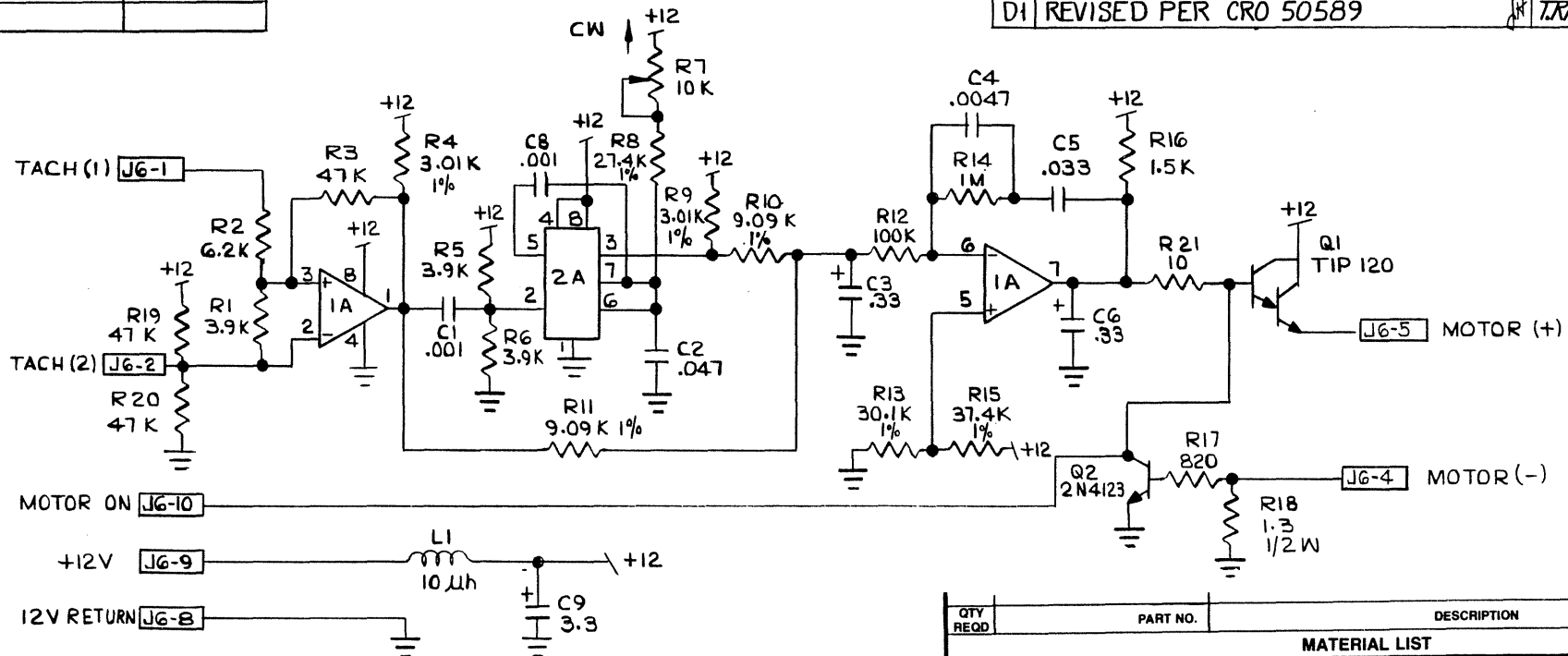


MUST CONFORM TO ENGINEERING SPEC. ES 10000-C		PC HISTORY		SHOUBERT ASSOCIATES	
MATERIAL	TOLERANCE UNLESS OTHERWISE NOTED	DATE	BY	REV.	DESCRIPTION
					DISKETTE, 800 SERIES
DATE ENGINEERING APPROVED	DESIGNER	DATE	BY	REV.	DESCRIPTION
					25100
DATE MANUFACTURING APPROVED	MANUFACTURER	DATE	BY	REV.	DESCRIPTION
					25100-2
REVISIONS	REVISION	DATE	BY	REV.	DESCRIPTION

Copying of this document, and giving it to others and the use or communication of the contents thereof, are forbidden without the express written consent of the originator. All rights are reserved in the event of the grant of a patent or the registration of a utility model or design.

REF DESIGNATION		IC DESIGNATIONS	
LAST USED	NOT USED	LOCATION	TYPE
R21		1A	LM393
C9	C7	2A	NE555
L1			
Q2			

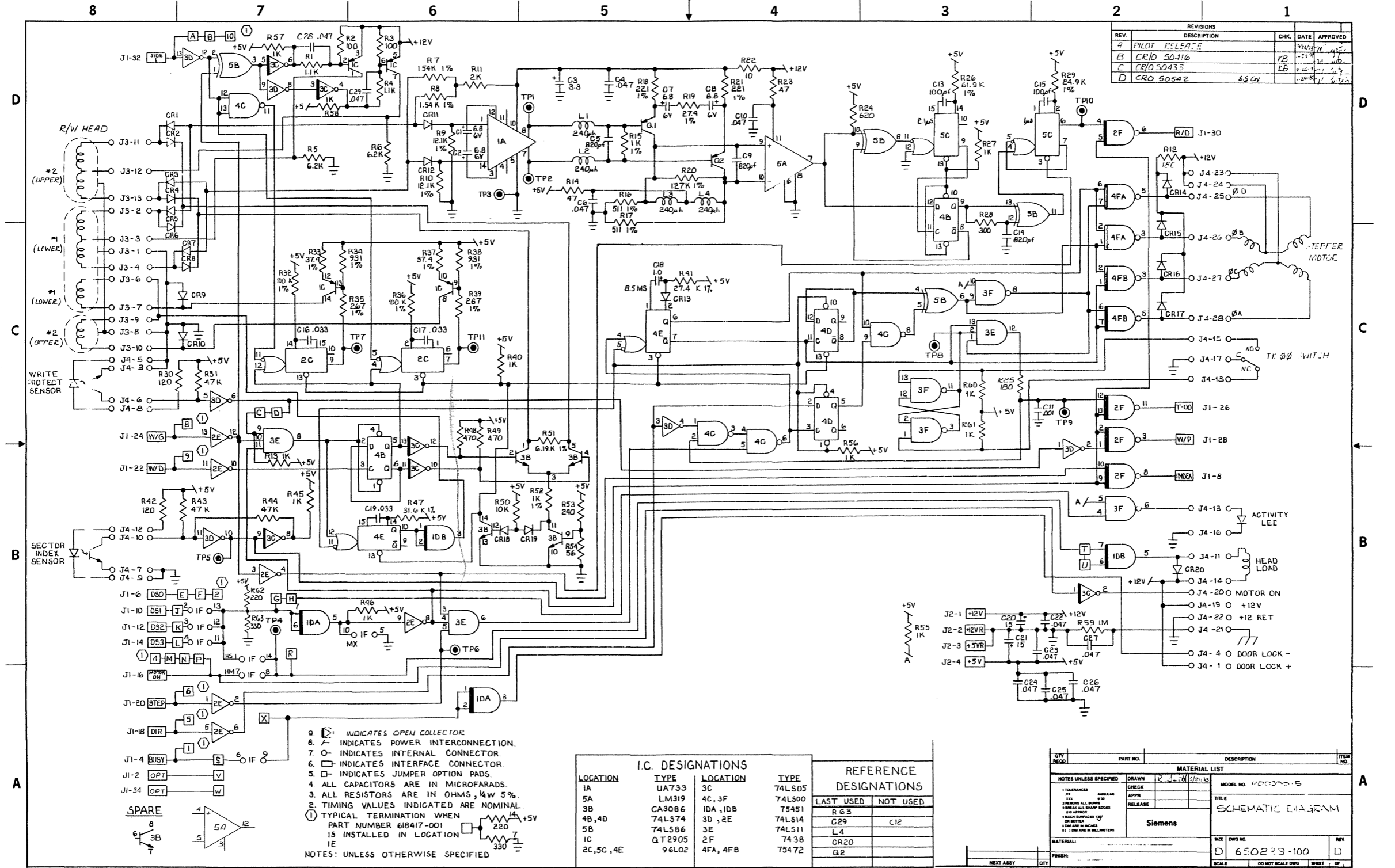
REVISIONS				
SYM	DESCRIPTION	BY	DATE	APPROVED
A	PILOT RELEASE		11-16-78	M.C
A	MFG RELEASE		3-16-79	M.C
B	CR/O 50462		5-23-79	K.B
C	CR/O 50474		7-3-79	K.B
D	CR/O 50564		7-2-80	B.F
D	REDRAWN, NO CHANGES		8-80	<i>TRAY</i>
D1	REVISED PER CRO 50589	<i>TRAY</i>	10-23-80	<i>M. C. ...</i>



3. R21 IS NOT REQUIRED WITH 640212-001 BOARDS. REVS A AND B
 2. ALL CAPACITORS IN MICROFARADS
 1. ALL RESISTORS IN OHMS, 1/4W, 5%
- NOTES:** UNLESS OTHERWISE SPECIFIED

QTY REQD	PART NO.	DESCRIPTION	ITEM NO.
MATERIAL LIST			
NOTES UNLESS SPECIFIED 1 TOLERANCES UNLESS SPECIFIED 2 REMOVE ALL BURRS 3 BREAK ALL SHARP EDGES 0.10 APPROX 4 MACH SURFACES PER OR BETTER 5 DIM ARE IN INCHES 6 () DIM ARE IN MILLIMETERS		DRAWN K. B 4.14.78 CHECK APPR RELEASE Siemens	MODEL NO. TITLE SCHEMATIC DIAGRAM MOTOR DRIVE PWB
MATERIAL:		SIZE B	DWG NO. 630322-100
FINISH:		REV. D1	
NEXT ASSY	QTY	SCALE NONE	DO NOT SCALE DWG SHEET 1 OF 1

REV.	DESCRIPTION	CHK.	DATE	APPROVED
A	PILOT RELEASE		4/20/77	
B	CR10 50-116	YB	5/17/77	
C	CR10 50433	LB	5/27/77	
D	CRO 50542	ESLN	6/1/77	



9 INDICATES OPEN COLLECTOR.
 8 INDICATES POWER INTERCONNECTION.
 7 INDICATES INTERNAL CONNECTOR.
 6 INDICATES INTERFACE CONNECTOR.
 5 INDICATES JUMPER OPTION PADS.
 4 ALL CAPACITORS ARE IN MICROFARADS.
 3 ALL RESISTORS ARE IN OHMS, $\frac{1}{4}$ W 5%.
 2 TIMING VALUES INDICATED ARE NOMINAL.
 1 TYPICAL TERMINATION WHEN PART NUMBER 618417-001 IS INSTALLED IN LOCATION 1E.

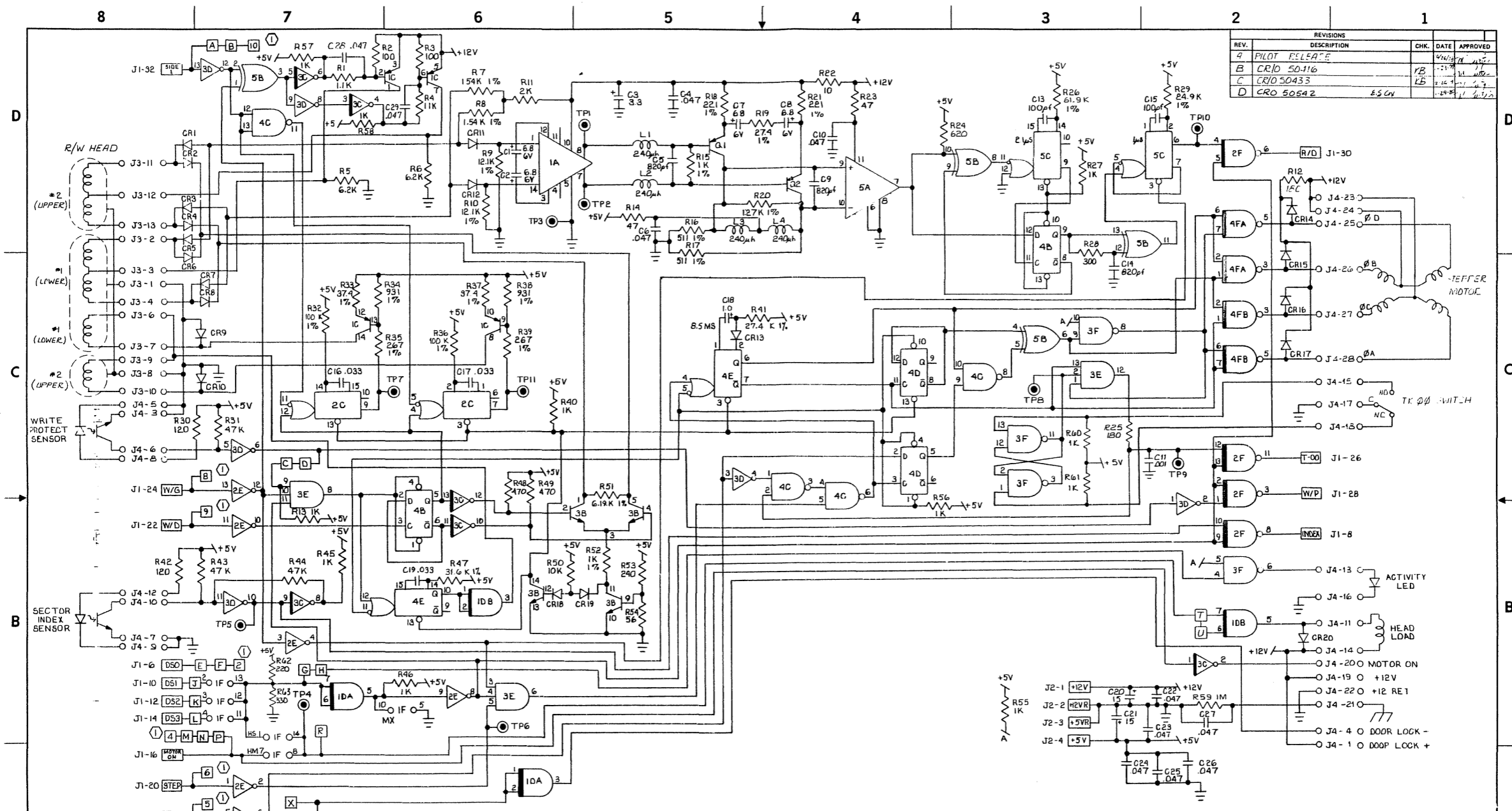
NOTES: UNLESS OTHERWISE SPECIFIED

I.C. DESIGNATIONS		I.C. DESIGNATIONS	
LOCATION	TYPE	LOCATION	TYPE
1A	UA733	3C	74LS05
5A	LM319	4C, 3F	74LS00
3B	CA3086	1DA, 1DB	75451
4B, 4D	74LS74	3D, 2E	74LS14
5B	74LS86	3E	74LS86
1C	QT2905	2F	7438
2C, 5C, 4E	96L02	4FA, 4FB	75472

REFERENCE DESIGNATIONS	
LAST USED	NOT USED
R 63	C12
G29	
L4	
CR20	
Q2	

QTY	PART NO.	DESCRIPTION	ITEM NO.
MATERIAL LIST			
NOTES UNLESS SPECIFIED			
1 TOLERANCES	UNLESS	AS SHOWN	
2 DIMENSIONS	ALL	UNLESS	
3 HOLE ALL SHARP EDGES	ARE	REQUIRED	
4 HOLE DIMENSIONS	ARE	AS SHOWN	
5 HOLE DIMENSIONS	ARE	AS SHOWN	
6 HOLE DIMENSIONS	ARE	AS SHOWN	
7 HOLE DIMENSIONS	ARE	AS SHOWN	
8 HOLE DIMENSIONS	ARE	AS SHOWN	
9 HOLE DIMENSIONS	ARE	AS SHOWN	
10 HOLE DIMENSIONS	ARE	AS SHOWN	
11 HOLE DIMENSIONS	ARE	AS SHOWN	
DRAWN: R. J. W. / J. R. S.			
CHECK: []			
APPROVE: []			
RELEASE: []			
MATERIAL: Siemens			
MODEL NO. 650239-B			
TITLE: SCHEMATIC DIAGRAM			
SIZE: DWG NO. D 650239-100			
SCALE: []			
FINISH: []			
NEXT ASSY: []			
CITY: []			
DO NOT SCALE DWG			
SHEET: [] OF []			

REV.	DESCRIPTION	CHK.	DATE	APPROVED
A	PILOT RELEASE			
B	CRID 50-116	EB	11-27-67	W. D. D.
C	CRIO 50433	EB	12-15-67	W. D. D.
D	CRO 50542	ES CV	1-15-68	W. D. D.



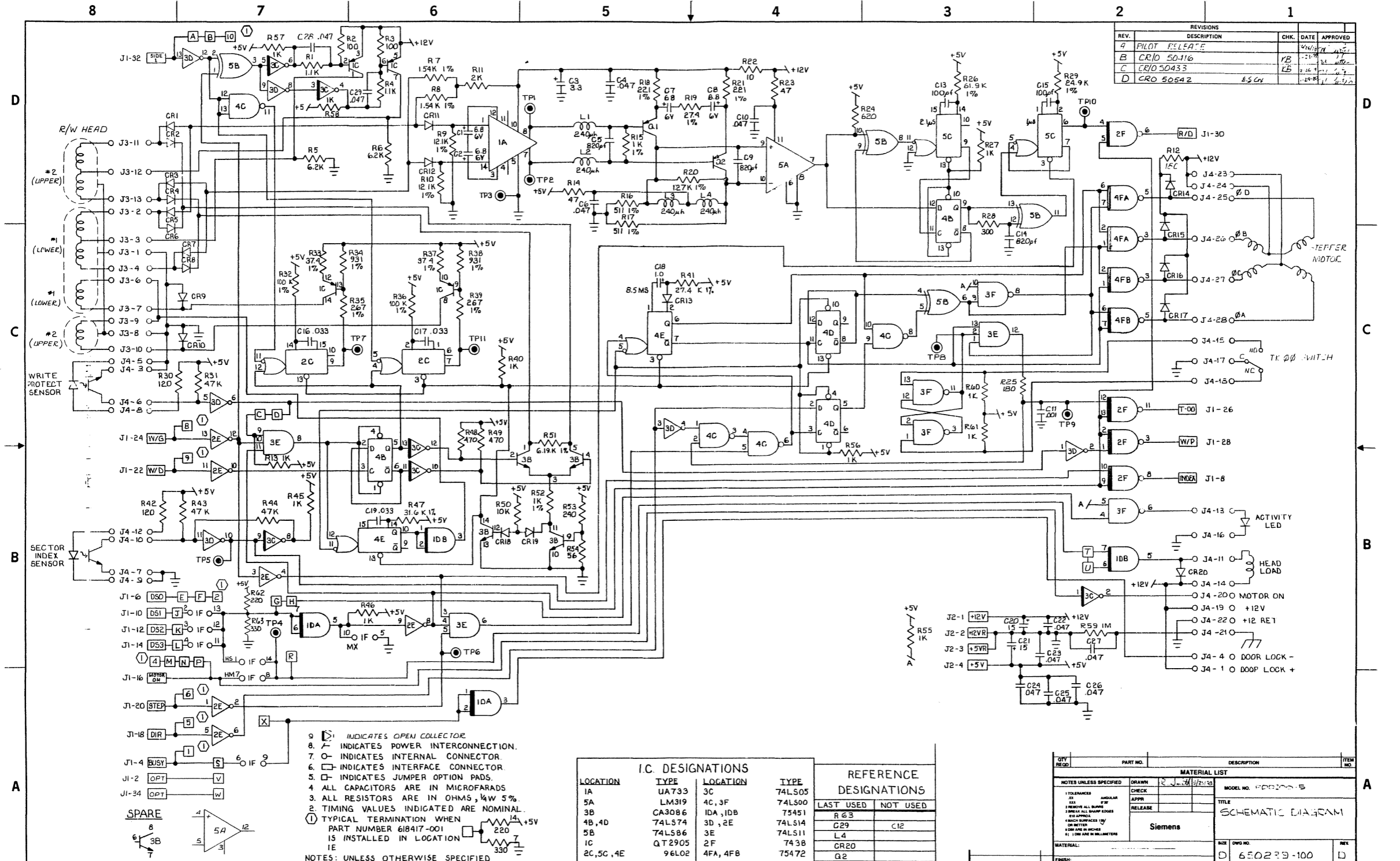
9. \square INDICATES OPEN COLLECTOR
 8. - INDICATES POWER INTERCONNECTION.
 7. \circ INDICATES INTERNAL CONNECTOR.
 6. \square INDICATES INTERFACE CONNECTOR.
 5. \square INDICATES JUMPER OPTION PADS.
 4. ALL CAPACITORS ARE IN MICROFARADS
 3. ALL RESISTORS ARE IN OHMS, $k\omega$ 5%
 2. TIMING VALUES INDICATED ARE NOMINAL
 1. TYPICAL TERMINATION WHEN PART NUMBER 618417-001 IS INSTALLED IN LOCATION
- NOTES: UNLESS OTHERWISE SPECIFIED

LOCATION	TYPE	LOCATION	TYPE
1A	UA733	3C	74LS05
5A	LM319	4C, 3F	74LS00
3B	CA3086	1DA, 1DB	75451
4B, 4D	74LS74	3D, 2E	74LS14
5B	74LS86	3E	74LS11
1C	QT2905	2F	7438
2C, 5C, 4E	96L02	4FA, 4FB	75472

LAST USED	NOT USED
R 63	C12
G29	
L4	
CR20	
Q2	

QTY REQ'D	PART NO.	DESCRIPTION	ITEM NO.

REV.	DESCRIPTION	CHK.	DATE	APPROVED
9	PILOT RELEASE	WJ	11/15/71	
B	CR10 50-116	EB	11/15/71	
C	CR10 50433	EB	11/15/71	
D	CRO 50542	ES CH	11/15/71	



- 9. INDICATES OPEN COLLECTOR.
- 8. INDICATES POWER INTERCONNECTION.
- 7. INDICATES INTERNAL CONNECTOR.
- 6. INDICATES INTERFACE CONNECTOR.
- 5. INDICATES JUMPER OPTION PADS.
- 4. ALL CAPACITORS ARE IN MICROFARADS.
- 3. ALL RESISTORS ARE IN OHMS, $\frac{1}{4}$ W 5%.
- 2. TIMING VALUES INDICATED ARE NOMINAL.
- 1. TYPICAL TERMINATION WHEN PART NUMBER 618417-001 IS INSTALLED IN LOCATION

I.C. DESIGNATIONS			
LOCATION	TYPE	LOCATION	TYPE
1A	UA733	3C	74LS05
5A	LM319	4C, 3F	74LS00
3B	CA3086	1DA, 1DB	75451
4B, 4D	74LS74	3D, 2E	74LS14
5B	74LS86	3E	74LS11
1C	QT2905	2F	7438
2C, 5C, 4E	96L02	4FA, 4FB	75472

REFERENCE DESIGNATIONS	
LAST USED	NOT USED
R 63	
G29	C12
L4	
CR20	
Q2	

QTY	RECD	PART NO.	DESCRIPTION	ITEM NO.
MATERIAL LIST				
NOTES UNLESS SPECIFIED				
1. TOLERANCES				
2. DIMENSIONS				
3. FINISHES				
4. SURFACES				
5. DIMENSIONS				
6. DIMENSIONS				
7. DIMENSIONS				
8. DIMENSIONS				
9. DIMENSIONS				
10. DIMENSIONS				
11. DIMENSIONS				
12. DIMENSIONS				
13. DIMENSIONS				
14. DIMENSIONS				
15. DIMENSIONS				
16. DIMENSIONS				
17. DIMENSIONS				
18. DIMENSIONS				
19. DIMENSIONS				
20. DIMENSIONS				
21. DIMENSIONS				
22. DIMENSIONS				
23. DIMENSIONS				
24. DIMENSIONS				
25. DIMENSIONS				
26. DIMENSIONS				
27. DIMENSIONS				
28. DIMENSIONS				
29. DIMENSIONS				
30. DIMENSIONS				
31. DIMENSIONS				
32. DIMENSIONS				
33. DIMENSIONS				
34. DIMENSIONS				
35. DIMENSIONS				
36. DIMENSIONS				
37. DIMENSIONS				
38. DIMENSIONS				
39. DIMENSIONS				
40. DIMENSIONS				
41. DIMENSIONS				
42. DIMENSIONS				
43. DIMENSIONS				
44. DIMENSIONS				
45. DIMENSIONS				
46. DIMENSIONS				
47. DIMENSIONS				
48. DIMENSIONS				
49. DIMENSIONS				
50. DIMENSIONS				
51. DIMENSIONS				
52. DIMENSIONS				
53. DIMENSIONS				
54. DIMENSIONS				
55. DIMENSIONS				
56. DIMENSIONS				
57. DIMENSIONS				
58. DIMENSIONS				
59. DIMENSIONS				
60. DIMENSIONS				
61. DIMENSIONS				
62. DIMENSIONS				
63. DIMENSIONS				
64. DIMENSIONS				
65. DIMENSIONS				
66. DIMENSIONS				
67. DIMENSIONS				
68. DIMENSIONS				
69. DIMENSIONS				
70. DIMENSIONS				
71. DIMENSIONS				
72. DIMENSIONS				
73. DIMENSIONS				
74. DIMENSIONS				
75. DIMENSIONS				
76. DIMENSIONS				
77. DIMENSIONS				
78. DIMENSIONS				
79. DIMENSIONS				
80. DIMENSIONS				
81. DIMENSIONS				
82. DIMENSIONS				
83. DIMENSIONS				
84. DIMENSIONS				
85. DIMENSIONS				
86. DIMENSIONS				
87. DIMENSIONS				
88. DIMENSIONS				
89. DIMENSIONS				
90. DIMENSIONS				
91. DIMENSIONS				
92. DIMENSIONS				
93. DIMENSIONS				
94. DIMENSIONS				
95. DIMENSIONS				
96. DIMENSIONS				
97. DIMENSIONS				
98. DIMENSIONS				
99. DIMENSIONS				
100. DIMENSIONS				

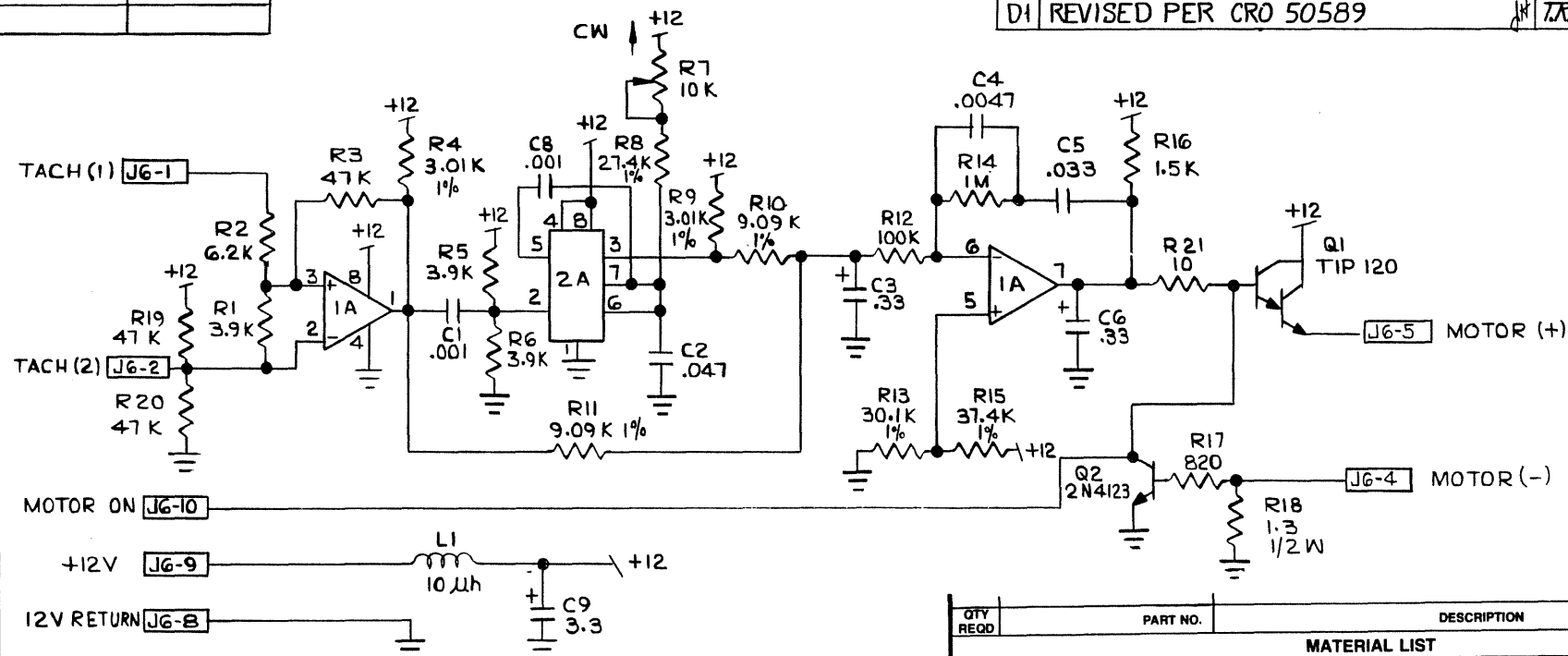
Sin nuestra expresa autorización, queda terminantemente prohibida la reproducción total o parcial de este documento, ya sea en forma física o electrónica, sin el consentimiento escrito de la oficina de ingeniería. Se reserva todos los derechos de esta compañía de patente de invención e registro de diseño industrial.

Copying of this document and giving it to others and the reproduction, in whole or in part, of this document, without express authority. Offenders are liable to the payment of damages. All rights are reserved in the event of the grant of a patent or the registration of a utility model or design.

REF. DESIGNATION	
LAST USED	NOT USED
R21	
C9	C7
L1	
Q2	

IC DESIGNATIONS	
LOCATION	TYPE
1A	LM393
2A	NE555

REVISIONS				
SYM	DESCRIPTION	BY	DATE	APPROVED
A	PILOT RELEASE		11-16-78	M.C
A	MFG RELEASE		3-16-79	M.C
B	CR/O 50462		5-23-79	K.B
C	CR/O 50474		7-3-79	K.B
D	CR/O 50564		7-2-80	B.F
D	REDRAWN, NO CHANGES		8-80	<i>W. Coe</i>
D1	REVISED PER CRO 50589	<i>J. TRAY</i>	10-25-80	<i>W. Coe</i>



- 3. R21 IS NOT REQUIRED WITH 640212-001 BOARDS. REVS A AND B
 - 2. ALL CAPACITORS IN MICROFARADS
 - 1. ALL RESISTORS IN OHMS, 1/4W, 5%
- NOTES:** UNLESS OTHERWISE SPECIFIED

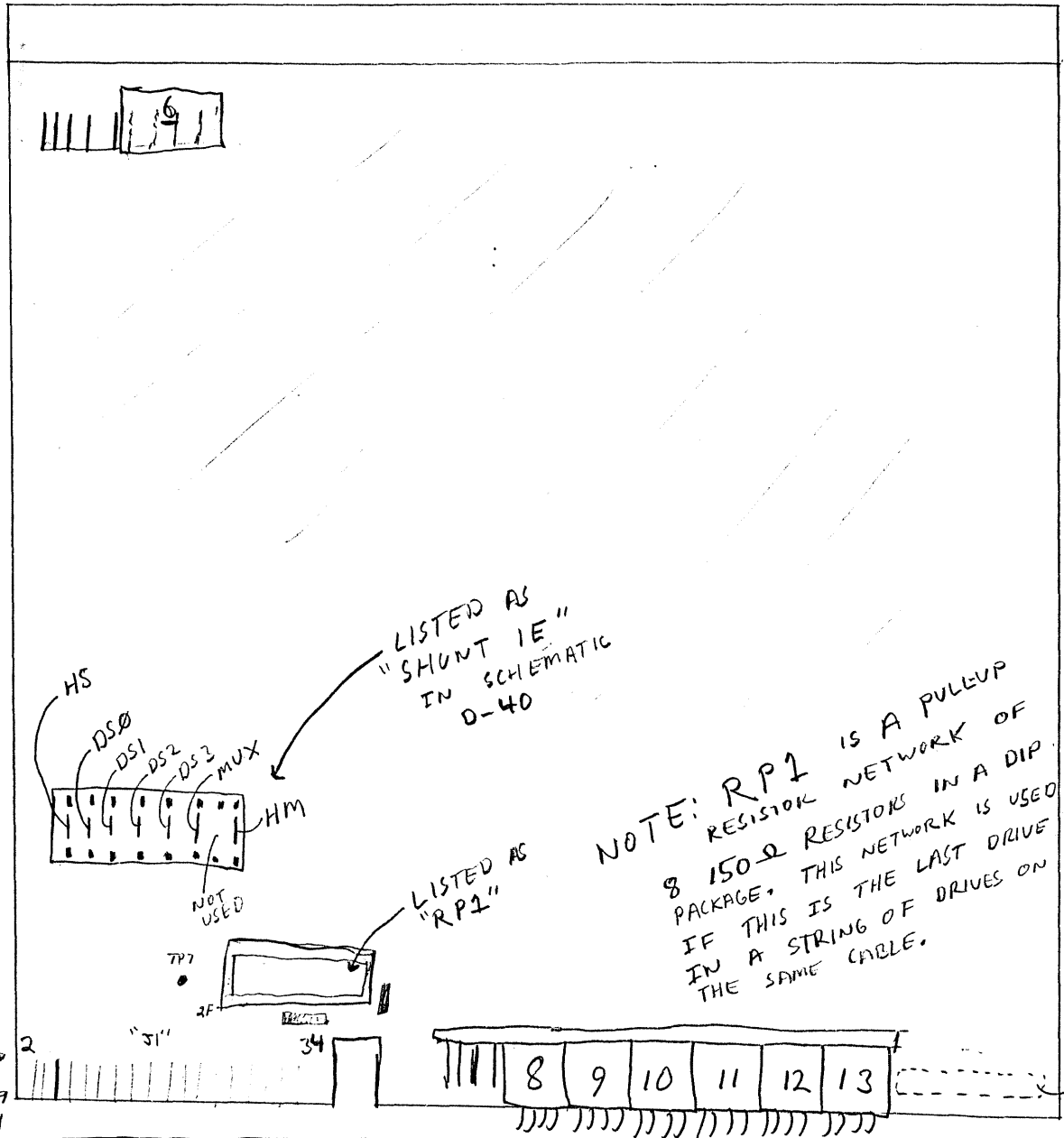
QTY RECD	PART NO.	DESCRIPTION	ITEM NO.
MATERIAL LIST			
NOTES UNLESS SPECIFIED		DRAWN	K. B 4/14/78
1 TOLERANCES .XX% ANGULAR 0°/30° 2 REMOVE ALL BURRS 3 BREAK ALL SHARP EDGES .010 APPROX. 4 MACH SURFACES YES OR BETTER 5 DIM ARE IN INCHES 6 () DIM ARE IN MILLIMETERS		CHECK	
		APPR	
		RELEASE	
MATERIAL:		Siemens	
FINISH:			
NEXT ASSY		QTY	

MODEL NO.	
TITLE	SCHEMATIC DIAGRAM MOTOR DRIVE PWB
SIZE	DWG NO.
B	630322-100
SCALE	DO NOT SCALE DWG
SHEET	OF 1
REV.	D1

TANDON TM100-1A 5 1/4 DISC DRIVE

TOP VIEW

FRONT



SELECT DRIVE BY JUMPER IN SOCKET DS0 = DRIVE 0 DS1 = DRIVE 1 etc.

LISTED AS "SHUNT 1E" IN SCHEMATIC D-40

LISTED AS "RP1"

NOTE: RP1 IS A PULLUP RESISTOR NETWORK OF 8 150Ω RESISTORS IN A DIP PACKAGE. THIS NETWORK IS USED IF THIS IS THE LAST DRIVE IN A STRING OF DRIVES ON THE SAME CABLE.

1-33 odd Go to 1/2 ie. ground underside of connector strip.

TOP SIDE

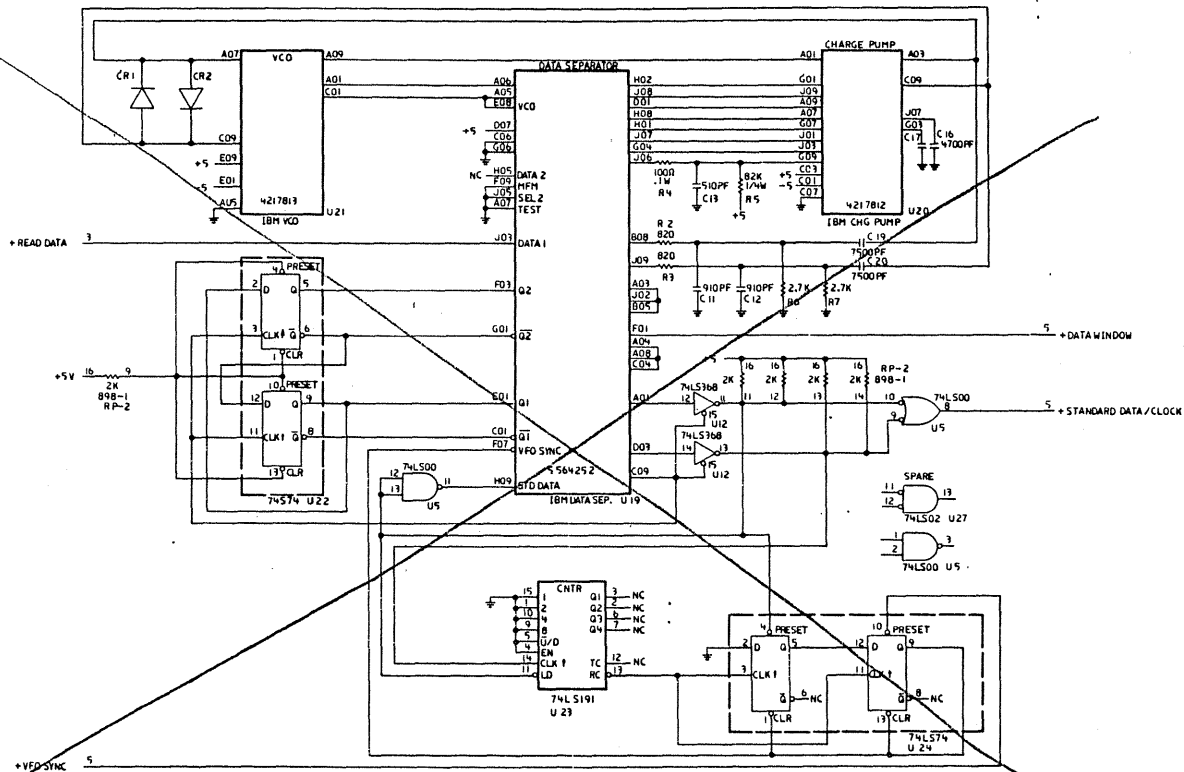
- | | | |
|----------------------------------|------|---------------------------------|
| 2 = -TACK "NOT USED" | ← 18 | DIRECTION |
| 4 = MOTOR RETURN "NOT USED" | ← 20 | N STEP "STEP PULSE" |
| 6 = NDS 3 "NOT USED" | ← 22 | N WRITE DATA "WRITE DATA" |
| → 8 = N INDEX SELECTOR "INDEX" | ← 24 | "WRITE ENABLE" |
| ← 10 = NDS 0 "MOTOR ENABLE A" | → 26 | "TRACK 0" N TRACK 0 |
| ← 12 = NDS 1 "DRIVE SELECT B" | → 28 | N WRITE PROTECT "WRITE PROTECT" |
| ← 14 = NDS 2 "DRIVE SELECT A" | → 30 | N READ DATA "READ DATA" |
| ← 16 = N MOTOR ON "MOTOR ENABLE" | ← 32 | N SIDE ONE "SIDE ONE" |

J1 PINOUTS

"IBM DESIGNATION"
SEE SCHEMATICS
"D39-D41"

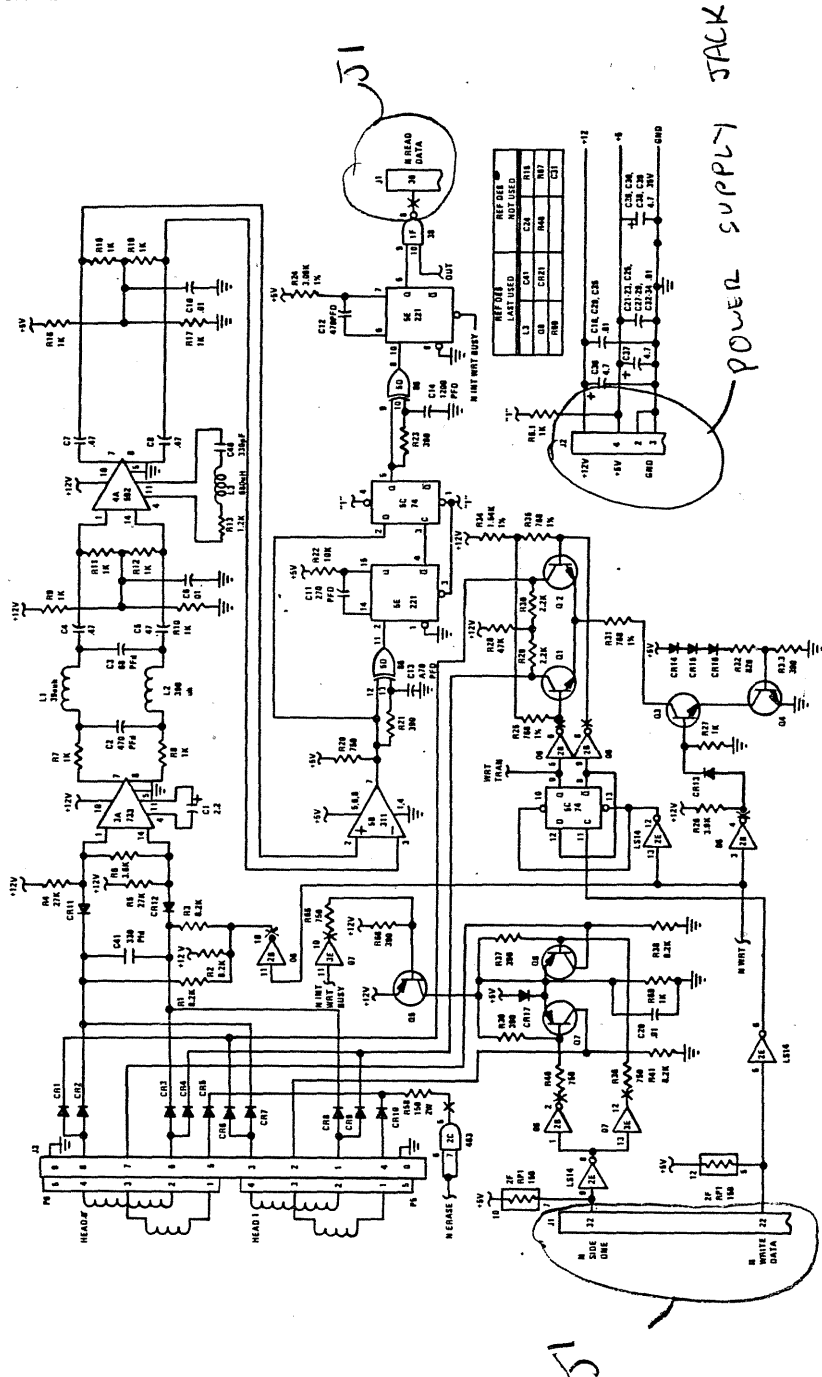
POWER SUPPLY PLUG

"J2"



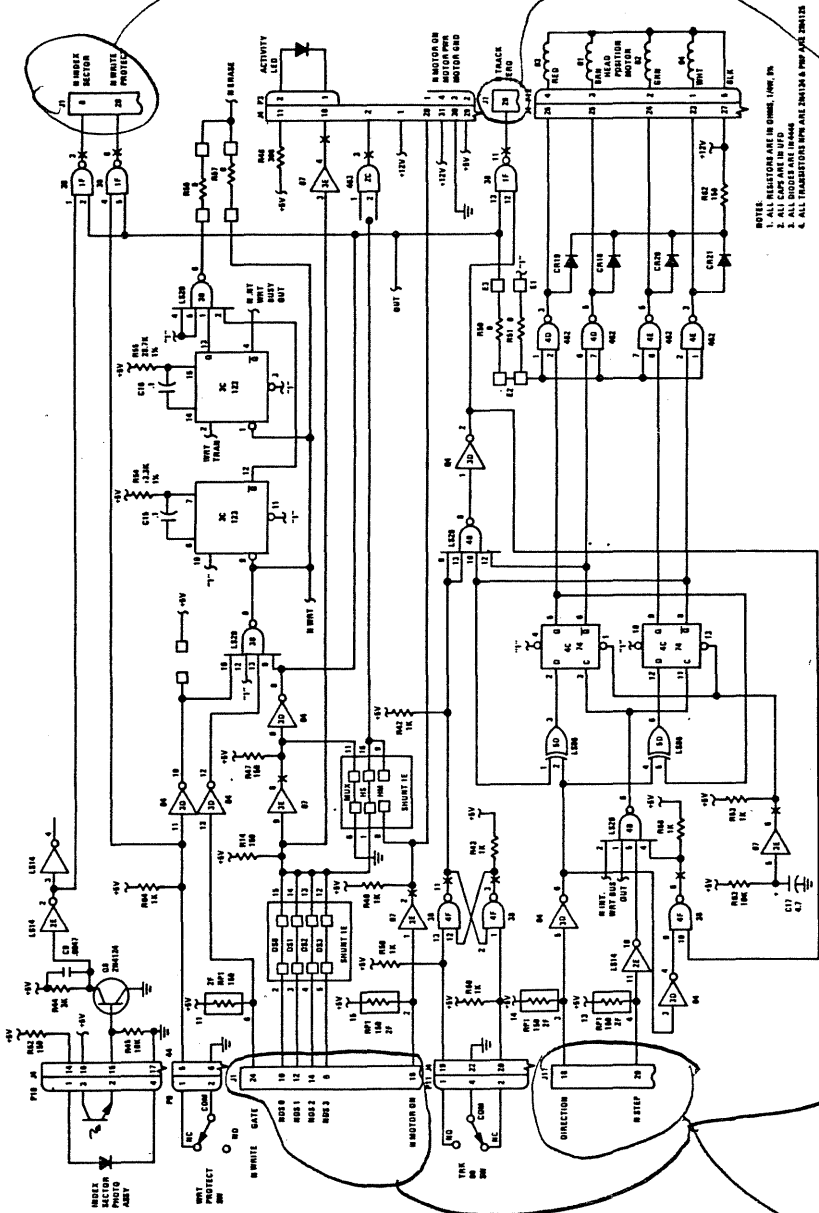
5 1/4" Diskette Drive Adapter Logic 6 of 6

5 1/4" DISKETTE DRIVE



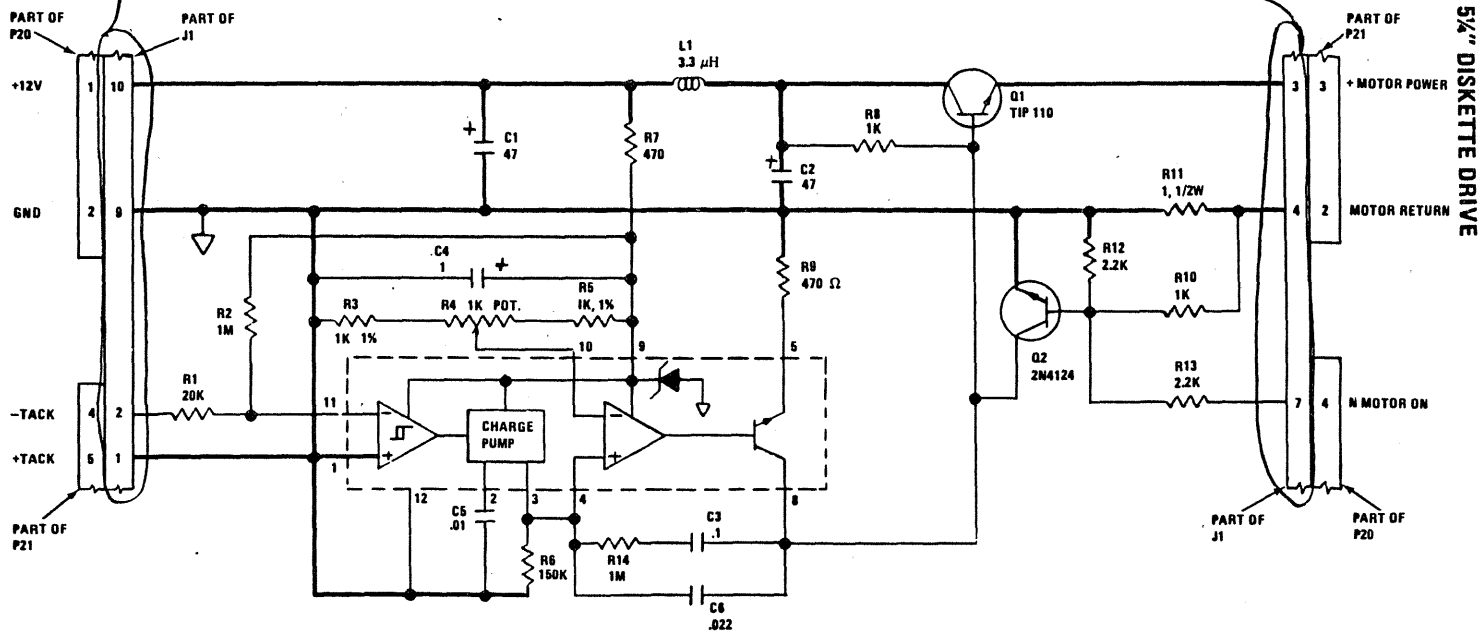
5 1/4" Diskette Drive Logic 1 of 3

5 1/4" DISKETTE DRIVE



- NOTES:
1. ALL RESISTORS ARE 5% TOLER. (IMP. P/N)
 2. ALL DIODES ARE 1N4148
 3. ALL TRANSISTORS ARE 2N4148
 4. ALL TRANSISTORS ARE 2N4101 & 2N4102

CIRCLED AREAS
PART OF "J1"



5 1/4" DISKETTE DRIVE

- NOTES:
1. RESISTORS ARE IN OHMS, ± 5%, 1/4 W.
 2. 1% RESISTORS ARE 1/8 W.
 3. CAPACITORS ARE IN μ F, ± 20%, 35 V.

5 1/4" Diskette Drive Logic 3 of 3

D-41

Tandon

CORPORATE OFFICES
20320 PRAIRIE STREET
CHATSWORTH, CA 91311

TELEPHONE NO.: (213) 993-6644
TELEX NO.: 194794
TWX NO.: 910-494-1721